

**Revision D:**

• MFZ-KT25/35/50/60VG - **ER1**, **E2**, **ET2**  
have been added.

OBH843 REVISED EDITION-C is void.

## INDOOR UNIT

**No. OBH843  
REVISED EDITION-D**

# SERVICE MANUAL

### Models

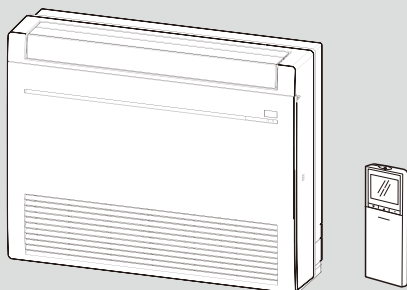
**MFZ-KT25VG** - **E1**, **ET1**, **ER1**, **E2**, **ET2**

**MFZ-KT35VG** - **E1**, **ET1**, **ER1**, **E2**, **ET2**

**MFZ-KT50VG** - **E1**, **ET1**, **ER1**, **E2**, **ET2**

**MFZ-KT60VG** - **E1**, **ET1**, **ER1**, **E2**, **ET2**

Outdoor unit service manual  
SUZ-M•VA Series (OCH684)  
MXZ-F•VF Series (OBH790)



**MFZ-KT25VG**  
**MFZ-KT35VG**  
**MFZ-KT50VG**  
**MFZ-KT60VG**

### CONTENTS

|                                     |    |
|-------------------------------------|----|
| 1. TECHNICAL CHANGES .....          | 2  |
| 2. SAFETY PRECAUTION .....          | 3  |
| 3. PART NAMES AND FUNCTIONS .....   | 7  |
| 4. SPECIFICATION .....              | 8  |
| 5. NOISE CRITERIA CURVES .....      | 9  |
| 6. OUTLINES AND DIMENSIONS .....    | 11 |
| 7. WIRING DIAGRAM .....             | 12 |
| 8. REFRIGERANT SYSTEM DIAGRAM ..... | 16 |
| 9. SERVICE FUNCTIONS .....          | 18 |
| 10. MICROPROCESSOR CONTROL .....    | 20 |
| 11. TROUBLESHOOTING .....           | 28 |
| 12. DISASSEMBLY INSTRUCTIONS .....  | 40 |

**PARTS CATALOG (OBB843)**

# Use the specified refrigerant only

## Never use any refrigerant other than that specified.

Doing so may cause a burst, an explosion, or fire when the unit is being used, serviced, or disposed of.

Correct refrigerant is specified in the manuals and on the spec labels provided with our products.

We will not be held responsible for mechanical failure, system malfunction, unit breakdown or accidents caused by failure to follow the instructions.

### <Preparation before the repair service>

- Prepare the proper tools.
- Prepare the proper protectors.
- Provide adequate ventilation.
- After stopping the operation of the air conditioner, turn off the power-supply breaker and pull the power plug.
- Discharge the capacitor before the work involving the electric parts.

### <Precautions during the repair service>

- Do not perform the work involving the electric parts with wet hands.
- Do not pour water into the electric parts.
- Do not touch the refrigerant.
- Do not touch the hot or cold areas in the refrigeration cycle.
- When the repair or the inspection of the circuit needs to be done without turning off the power, exercise great caution not to touch the live parts.

### WARNING

- When the refrigeration circuit has a leak, do not execute pump down with the compressor.
- When pumping down the refrigerant, stop the compressor before disconnecting the refrigerant pipes. The compressor may burst if air etc. get into it.
- When opening or closing the valve below freezing temperatures, refrigerant may spurt out from the gap between the valve stem and the valve body, resulting in injuries.

### Revision A:

- MFZ-KT25/35/50/60VG -  have been added.

### Revision B:

- Wiring diagrams for MFZ-KT25/35/50/60VG -  have been added.

### Revision C:

- A graph format of 5. NOISE CRITERIA CURVES has been modified.

### Revision D:

- MFZ-KT25/35/50/60VG - , ,  have been added.

## 1 TECHNICAL CHANGES

**MFZ-KT25VG** - , 

**MFZ-KT35VG** - , 

**MFZ-KT50VG** - , 

**MFZ-KT60VG** - , 

1. New model

**MFZ-KT25VG** - 

**MFZ-KT35VG** - 

**MFZ-KT50VG** - 

**MFZ-KT60VG** - 

1. New model

**MFZ-KT25VG** - ,  → **MFZ-KT25VG** - , 

**MFZ-KT35VG** - ,  → **MFZ-KT35VG** - , 

**MFZ-KT50VG** - ,  → **MFZ-KT50VG** - , 

**MFZ-KT60VG** - ,  → **MFZ-KT60VG** - , 

1. Model name has been changed.

## CAUTIONS RELATED TO NEW REFRIGERANT

### Cautions for units utilizing refrigerant R32/R410A



#### WARNING

### 2-1. Warning for service

1. In case of reconnecting the refrigerant pipes after detaching, make the flared part of pipe re-fabricated.
2. This unit should be installed in rooms which exceed the floor space specified in outdoor unit installation manual. Refer to outdoor unit installation manual.
3. Refrigerant pipes connection shall be accessible for maintenance purposes.
4. Do not use low temperature solder alloy in case of brazing the refrigerant pipes.
5. Do not use means to accelerate the defrosting process or to clean, other than those recommended by the manufacturer.
6. The appliance shall be stored in a room without continuously operating ignition sources (for example: open flames, an operating gas appliance or an operating electric heater).
7. Do not pierce or burn.
8. Be aware that refrigerants may not contain an odour.
9. Pipe-work shall be protected from physical damage.
10. The installation of pipe-work shall be kept to a minimum.
11. Compliance with national gas regulations shall be observed.
12. Keep any required ventilation openings clear of obstruction.
13. Servicing shall be performed only as recommended by the manufacturer.
14. The appliance shall be stored in a well-ventilated area where the room size corresponds to the room area as specified for operation.
15. Maintenance, service and repair operations shall be performed by authorized technician with required qualification.

### 2-2. Cautions for unit using R32 refrigerant

**Basic work procedures are the same as those for conventional units using refrigerant R410A. However, pay careful attention to the following points.**

1. Information on servicing
  - (1) Checks on the Area
 

Prior to beginning work on systems containing flammable refrigerants, safety checks are necessary to ensure that the risk of ignition is minimized.

For repair to the refrigerating systems, (3) to (7) shall be completed prior to conducting work on the systems.
  - (2) Work Procedure
 

Work shall be undertaken under a controlled procedure so as to minimize the risk of a flammable gas or vapor being present while the work is being performed.
  - (3) General Work Area
 

All maintenance staff and others working in the local area shall be instructed on the nature of work being carried out. Work in confined spaces shall be avoided. The area around the workspace shall be sectioned off. Ensure that the conditions within the area have been made safe by control of flammable material.
  - (4) Checking for Presence of Refrigerant
 

The area shall be checked with an appropriate refrigerant detector prior to and during work, to ensure the technician is aware of potentially toxic or flammable atmospheres. Ensure that the leak detection equipment being used is suitable for use with all applicable refrigerants, i.e. non-sparking, adequately sealed or intrinsically safe.
  - (5) Presence of Fire Extinguisher
 

If any hot work is to be conducted on the refrigeration equipment or any associated parts, appropriate fire extinguishing equipment shall be available to hand.

Have a dry powder or CO<sub>2</sub> fire extinguisher adjacent to the charging area.
  - (6) No Ignition Sources
 

No person carrying out work in relation to a refrigeration system which involves exposing any pipe work shall use any sources of ignition in such a manner that it may lead to the risk of fire or explosion. All possible ignition sources, including cigarette smoking, should be kept sufficiently far away from the site of installation, repairing, removing and disposal, during which refrigerant can possibly be released to the surrounding space. Prior to work taking place, the area around the equipment is to be surveyed to make sure that there are no flammable hazards or ignition risks. "No Smoking" signs shall be displayed.
  - (7) Ventilated Area
 

Ensure that the area is in the open or that it is adequately ventilated before breaking into the system or conducting any hot work. A degree of ventilation shall continue during the period that the work is carried out. The ventilation should safely disperse any released refrigerant and preferably expel it externally into the atmosphere.

## (8) Checks on the Refrigeration Equipment

Where electrical components are being changed, they shall be fit for the purpose and to the correct specification. At all times the manufacturer's maintenance and service guidelines shall be followed. If in doubt, consult the manufacturer's technical department for assistance.

The following checks shall be applied to installations using flammable refrigerants:

- The charge size is in accordance with the room size within which the refrigerant containing parts are installed.
- The ventilation machinery and outlets are operating adequately and are not obstructed.
- Marking to the equipment continues to be visible and legible. Markings and signs that are illegible shall be corrected.
- Refrigeration pipe or components are installed in a position where they are unlikely to be exposed to any substance which may corrode refrigerant containing components, unless the components are constructed of materials which are inherently resistant to being corroded or are suitably protected against being corroded.

## (9) Checks on Electrical Devices

Repair and maintenance to electrical components shall include initial safety checks and component inspection procedures. If a fault exists that could compromise safety, then no electrical supply shall be connected to the circuit until it is satisfactorily dealt with. If the fault cannot be corrected immediately but it is necessary to continue operation, an adequate temporary solution shall be used. This shall be reported to the owner of the equipment so all parties are advised.

Initial safety checks shall include that:

- capacitors are discharged: this shall be done in a safe manner to avoid possibility of sparking;
- no live electrical components and wiring are exposed while charging, recovering or purging the system;
- there is continuity of earth bonding

## 2. Repairs to Sealed Components

(1) During repairs to sealed components, all electrical supplies shall be disconnected from the equipment being worked upon prior to any removal of sealed covers, etc. If it is absolutely necessary to have an electrical supply to equipment during servicing, then a permanently operating form of leak detection shall be located at the most critical point to warn of a potentially hazardous situation.

(2) Particular attention shall be paid to the following to ensure that by working on electrical components, the casing is not altered in such a way that the level of protection is affected. This shall include damage to cables, excessive number of connections, terminals not made to original specification, damage to seals, incorrect fitting of glands, etc. Ensure that the apparatus is mounted securely.

Ensure that seals or sealing materials have not degraded to the point that they no longer serve the purpose of preventing the ingress of flammable atmospheres.

Replacement parts shall be in accordance with the manufacturer's specifications.

## 3. Repair to Intrinsically Safe Components

Do not apply any permanent inductive or capacitance loads to the circuit without ensuring that this will not exceed the permissible voltage and current permitted for the equipment in use.

Intrinsically safe components are the only types that can be worked on while live in the presence of a flammable atmosphere. The test apparatus shall be at the correct rating.

Replace components only with parts specified by the manufacturer. Other parts may result in the ignition of refrigerant in the atmosphere from a leak.

## 4. Cabling

Check that cabling will not be subject to wear, corrosion, excessive pressure, vibration, sharp edges or any other adverse environmental effects. The check shall also take into account the effects of aging or continual vibration from sources such as compressors or fans.

## 5. Detection of Flammable Refrigerants

Under no circumstances shall potential sources of ignition be used in the searching for or detection of refrigerant leaks. A halide torch (or any other detector using a naked flame) shall not be used.

## 6. Leak Detection Methods

Electronic leak detectors may be used to detect refrigerant leaks but, in the case of flammable refrigerants, the sensitivity may not be adequate, or may need re-calibration. (Detection equipment shall be calibrated in a refrigerant-free area.)

Ensure that the detector is not a potential source of ignition and is suitable for the refrigerant used. Leak detection equipment shall be set at a percentage of the LFL of the refrigerant and shall be calibrated to the refrigerant employed, and the appropriate percentage of gas (25% maximum) is confirmed.

Leak detection fluids are suitable for use with most refrigerants but the use of detergents containing chlorine shall be avoided as the chlorine may react with the refrigerant and corrode the copper pipe-work.

If a leak is suspected, all naked flames shall be removed/extinguished.

If a leakage of refrigerant is found which requires brazing, all of the refrigerant shall be recovered from the system, or isolated (by means of shut off valves) in a part of the system remote from the leak. For appliances containing flammable refrigerants, oxygen free nitrogen (OFN) shall then be purged through the system both before and during the brazing process.

## 7. Removal and Evacuation

When breaking into the refrigerant circuit to make repairs – or for any other purpose conventional procedures shall be used. However, for flammable refrigerants it is important that best practice is followed since flammability is a consideration. The following procedure shall be adhered to:

- remove refrigerant
- purge the circuit with inert gas
- evacuate
- purge again with inert gas
- open the circuit by cutting or brazing.

The refrigerant charge shall be recovered into the correct recovery cylinders. For appliances containing flammable refrigerants, the system shall be “flushed” with OFN to render the unit safe. This process may need to be repeated several times.

Compressed air or oxygen shall not be used for purging refrigerant systems.

For appliances containing flammable refrigerants, flushing shall be achieved by breaking the vacuum in the system with OFN and continuing to fill until the working pressure is achieved, then venting to atmosphere, and finally pulling down to a vacuum. This process shall be repeated until no refrigerant is within the system. When the final OFN charge is used, the system shall be vented down to atmospheric pressure to enable work to take place. This operation is absolutely vital if brazing operations on the pipe-work are to take place.

Ensure that the outlet for the vacuum pump is not close to any ignition sources and that ventilation is available.

## 8. Charging Procedures

In addition to conventional charging procedures, the following requirements shall be followed:

- Ensure that contamination of different refrigerants does not occur when using charging equipment. Hoses or lines shall be as short as possible to minimize the amount of refrigerant contained in them.
- Cylinders shall be kept upright.
- Ensure that the refrigeration system is earthed prior to charging the system with refrigerant.
- Label the system when charging is complete (if not already).
- Extreme care shall be taken not to overfill the refrigeration system.

Prior to recharging the system, it shall be pressure-tested with the appropriate purging gas. The system shall be leak-tested on completion of charging but prior to commissioning. A follow up leak test shall be carried out prior to leaving the site.

## 9. Decommissioning

Before carrying out this procedure, it is essential that the technician is completely familiar with the equipment and all its detail. It is recommended good practice that all refrigerants are recovered safely. Prior to the task being carried out, an oil and refrigerant sample shall be taken in case analysis is required prior to re-use of reclaimed refrigerant. It is essential that electrical power is available before the task is commenced.

- (1) Become familiar with the equipment and its operation.
- (2) Isolate system electrically.
- (3) Before attempting the procedure, ensure that:
  - mechanical handling equipment is available, if required, for handling refrigerant cylinders;
  - all personal protective equipment is available and being used correctly;
  - the recovery process is supervised at all times by a competent person;
  - recovery equipment and cylinders conform to the appropriate standards.
- (4) Pump down refrigerant system, if possible.
- (5) If a vacuum is not possible, make a manifold so that refrigerant can be removed from various parts of the system.
- (6) Make sure that cylinder is situated on the scales before recovery takes place.
- (7) Start the recovery machine and operate in accordance with manufacturer's instructions.
- (8) Do not overfill cylinders. (No more than 80 % volume liquid charge).
- (9) Do not exceed the maximum working pressure of the cylinder, even temporarily.
- (10) When the cylinders have been filled correctly and the process completed, make sure that the cylinders and the equipment are removed from site promptly and all isolation valves on the equipment are closed off.
- (11) Recovered refrigerant shall not be charged into another refrigeration system unless it has been cleaned and checked.

#### 10. Labelling

Equipment shall be labelled stating that it has been de-commissioned and emptied of refrigerant. The label shall be dated and signed. For appliances containing flammable refrigerants, ensure that there are labels on the equipment stating the equipment contains flammable refrigerant.

#### 11. Recovery

When removing refrigerant from a system, either for servicing or decommissioning, it is recommended good practice that all refrigerants are removed safely. When transferring refrigerant into cylinders, ensure that only appropriate refrigerant recovery cylinders are employed. Ensure that the correct number of cylinders for holding the total system charge are available. All cylinders to be used are designated for the recovered refrigerant and labelled for that refrigerant (i.e. special cylinders for the recovery of refrigerant). Cylinders shall be complete with pressure-relief valve and associated shut-off valves in good working order. Empty recovery cylinders are evacuated and, if possible, cooled before recovery occurs.

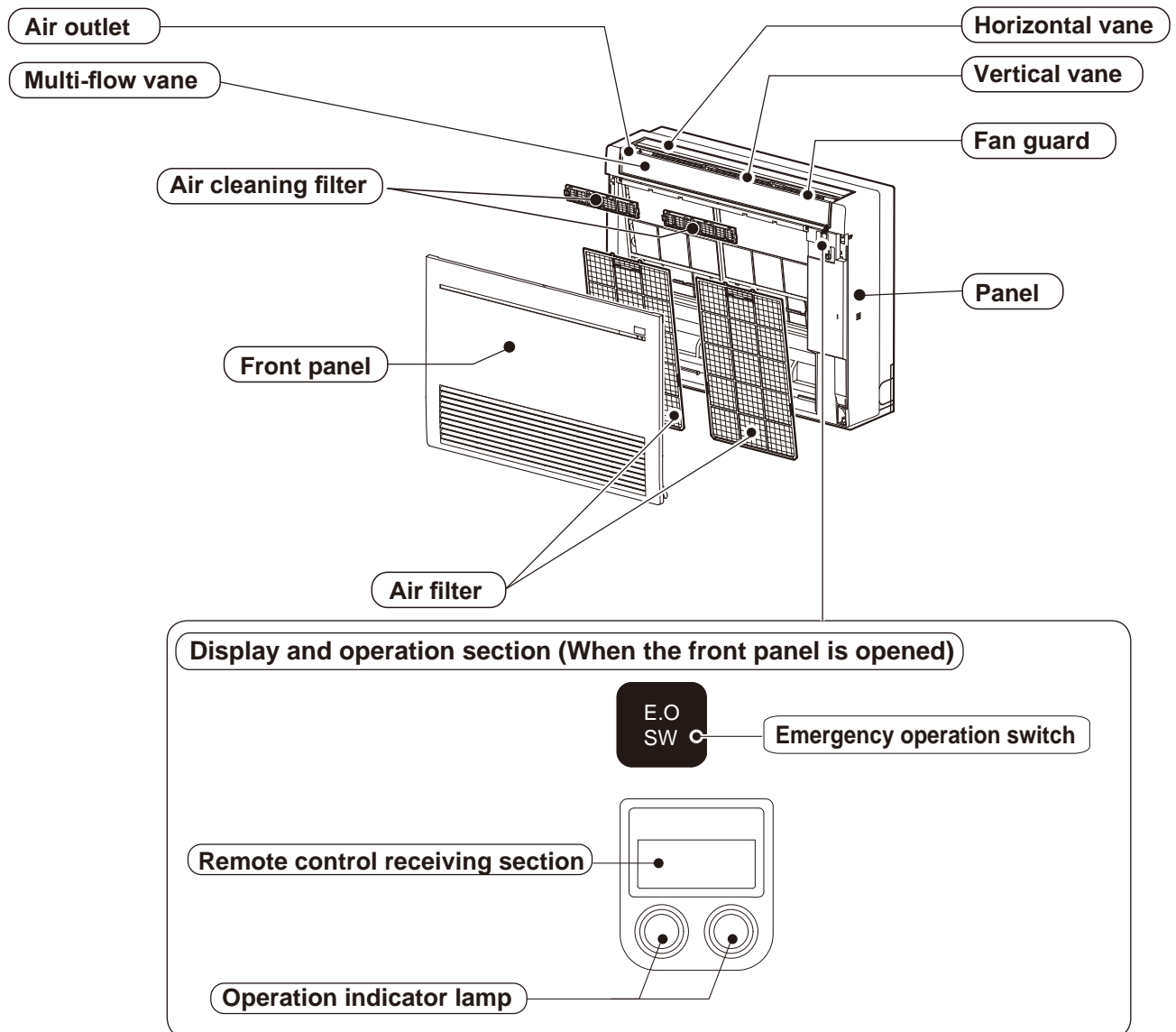
The recovery equipment shall be in good working order with a set of instructions concerning the equipment that is at hand and shall be suitable for the recovery of all appropriate refrigerants including, when applicable, flammable refrigerants. In addition, a set of calibrated weighing scales shall be available and in good working order. Hoses shall be complete with leak-free disconnect couplings and in good condition. Before using the recovery machine, check that it is in satisfactory working order, has been properly maintained and that any associated electrical components are sealed to prevent ignition in the event of a refrigerant release. Consult manufacturer if in doubt.

The recovered refrigerant shall be returned to the refrigerant supplier in the correct recovery cylinder, and the relevant waste transfer note arranged. Do not mix refrigerants in recovery units and especially not in cylinders. If compressors or compressor oils are to be removed, ensure that they have been evacuated to an acceptable level to make certain that flammable refrigerant does not remain within the lubricant. The evacuation process shall be carried out prior to returning the compressor to the suppliers. Only electric heating to the compressor body shall be employed to accelerate this process. When oil is drained from a system, it shall be carried out safely.

### 3

## PART NAMES AND FUNCTIONS

MFZ-KT25VG MFZ-KT35VG MFZ-KT50VG MFZ-KT60VG



### ACCESSORIES

| Model                                           | MFZ-KT25/35/50VG<br>- [E1], [ET1] | MFZ-KT25/35/50VG<br>- [ER1], [E2], [ET2] | MFZ-KT60VG<br>- [E1], [ET1] | MFZ-KT60VG<br>- [ER1], [E2], [ET2] |
|-------------------------------------------------|-----------------------------------|------------------------------------------|-----------------------------|------------------------------------|
| ① Remote controller holder                      | 1                                 | -                                        | 1                           | -                                  |
| ② Fixing screw for 1 3.5 x 16 mm (Black)        | 2                                 | -                                        | 2                           | -                                  |
| ③ Pipe cover                                    | 1                                 | 1                                        | 1                           | 1                                  |
| ④ Band                                          | 2                                 | 2                                        | 2                           | 2                                  |
| ⑤ Battery (AAA) for remote controller           | 2                                 | 2                                        | 2                           | 2                                  |
| ⑥ Indoor unit mounting bracket                  | 1                                 | 1                                        | 1                           | 1                                  |
| ⑦ Fixing screw for 6 4 x 25 mm                  | 5                                 | 5                                        | 5                           | 5                                  |
| ⑧ Wood screw for the indoor unit fixation       | 4                                 | 4                                        | 4                           | 4                                  |
| ⑨ Washer of 8                                   | 4                                 | 4                                        | 4                           | 4                                  |
| ⑩ Felt tape (Used for left or left-rear piping) | 1                                 | 1                                        | 1                           | 1                                  |
| ⑪ Wireless remote controller                    | 1                                 | 1                                        | 1                           | 1                                  |
| ⑫ Air cleaning filter                           | 2                                 | 2                                        | 2                           | 2                                  |
| ⑬ Breaker tag                                   | 1                                 | 1                                        | 1                           | 1                                  |
| ⑭ Breaker notice                                | 1                                 | 1                                        | 1                           | 1                                  |
| ⑮ Joint pipe                                    | -                                 | -                                        | 1                           | 1                                  |
| ⑯ Pipe cover for joint pipe                     | -                                 | -                                        | 1                           | 1                                  |

# 4

# SPECIFICATION

| Indoor model             |                    |             |            | MFZ-KT25VG                | MFZ-KT35VG | MFZ-KT50VG | MFZ-KT60VG |    |
|--------------------------|--------------------|-------------|------------|---------------------------|------------|------------|------------|----|
| Power supply             |                    |             |            | Single phase 230 V, 50 Hz |            |            |            |    |
| Electrical data          | Power input *1     | Cooling     | W          | 20                        |            | 37         | 63         |    |
|                          |                    | Heating     |            | 24                        |            | 52         | 59         |    |
|                          | Running current *1 | Cooling     | A          | 0.17                      |            | 0.34       | 0.55       |    |
|                          |                    | Heating     |            | 0.20                      |            | 0.45       | 0.49       |    |
| Fan motor                | Model              |             |            | RC0J30-Q#                 |            | RC0J40-P#  |            |    |
|                          | Current *1         | Cooling     | A          | 0.14                      |            | 0.32       | 0.52       |    |
|                          |                    | Heating     |            | 0.17                      |            | 0.43       | 0.46       |    |
| Dimensions W x H x D     |                    |             | mm         | 750 x 600 x 215           |            |            |            |    |
| Weight                   |                    |             | kg         | 14.5                      |            |            | 15         |    |
| Air direction            |                    |             |            | 1 FLOW: 4, 2 FLOW: 4      |            |            |            |    |
| Special remarks (Single) | Airflow            | Cooling     | Super High | m <sup>3</sup> /h         | 534        | 738        | 900        |    |
|                          |                    |             | High       |                           | 468        | 624        | 738        |    |
|                          |                    |             | Med.       |                           | 390        | 516        | 576        |    |
|                          |                    |             | Low        |                           | 288        | 402        | 480        |    |
|                          |                    |             | Silent     |                           | 234        | 336        | 336        |    |
|                          |                    | Heating     | Super High | m <sup>3</sup> /h         | 582        | 840        | 876        |    |
|                          |                    |             | High       |                           | 438        | 696        | 750        |    |
|                          |                    |             | Med.       |                           | 336        | 564        | 582        |    |
|                          |                    |             | Low        |                           | 240        | 462        | 462        |    |
|                          |                    |             | Silent     |                           | 210        | 360        | 360        |    |
|                          |                    | Sound level | Cooling    | Super High                | dB(A)      | 41         | 48         | 53 |
|                          |                    |             |            | High                      |            | 37         | 42         | 46 |
|                          | Med.               |             |            | 31                        |            | 37         | 40         |    |
|                          | Low                |             |            | 24                        |            | 32         | 36         |    |
|                          | Silent             |             |            | 19                        |            | 28         | 28         |    |
|                          | Heating            |             | Super High | dB(A)                     | 44         | 49         | 51         |    |
|                          |                    |             | High       |                           | 37         | 44         | 47         |    |
|                          |                    |             | Med.       |                           | 30         | 40         | 41         |    |
|                          |                    |             | Low        |                           | 23         | 35         | 35         |    |
|                          |                    |             | Silent     |                           | 19         | 29         | 29         |    |
|                          | Fan speed          | Cooling     | Super High | rpm                       | 1000       | 1120       | 1330       |    |
|                          |                    |             | High       |                           | 900        | 970        | 1120       |    |
|                          |                    |             | Med.       |                           | 770        | 820        | 900        |    |
|                          |                    |             | Low        |                           | 610        | 670        | 770        |    |
| Silent                   |                    |             | 520        |                           | 580        | 580        |            |    |
| Heating                  |                    | Super High  | rpm        | 1080                      | 1250       | 1300       |            |    |
|                          |                    | High        |            | 850                       | 1060       | 1130       |            |    |
|                          |                    | Med.        |            | 690                       | 890        | 910        |            |    |
|                          |                    | Low         |            | 530                       | 750        | 750        |            |    |
|                          |                    | Silent      |            | 480                       | 610        | 610        |            |    |
| Special remarks (Multi)  | Airflow            | Cooling     | Super High | m <sup>3</sup> /h         | 540        | 738        | 900        |    |
|                          |                    |             | High       |                           | 468        | 624        | 738        |    |
|                          |                    |             | Med.       |                           | 390        | 516        | 576        |    |
|                          |                    |             | Low        |                           | 288        | 402        | 480        |    |
|                          |                    |             | Silent     |                           | 252        | 336        | 336        |    |
|                          |                    | Heating     | Super High | m <sup>3</sup> /h         | 582        | 840        | 876        |    |
|                          |                    |             | High       |                           | 468        | 696        | 750        |    |
|                          |                    |             | Med.       |                           | 378        | 564        | 582        |    |
|                          |                    |             | Low        |                           | 294        | 462        | 462        |    |
|                          |                    |             | Silent     |                           | 252        | 360        | 360        |    |
|                          |                    | Sound level | Cooling    | Super High                | dB(A)      | 43         | 48         | 53 |
|                          |                    |             |            | High                      |            | 38         | 42         | 46 |
|                          | Med.               |             |            | 33                        |            | 37         | 40         |    |
|                          | Low                |             |            | 28                        |            | 32         | 36         |    |
|                          | Silent             |             |            | 23                        |            | 28         | 28         |    |
|                          | Heating            |             | Super High | dB(A)                     | 44         | 49         | 51         |    |
|                          |                    |             | High       |                           | 39         | 44         | 47         |    |
|                          |                    |             | Med.       |                           | 34         | 40         | 41         |    |
|                          |                    |             | Low        |                           | 28         | 35         | 35         |    |
|                          |                    |             | Silent     |                           | 24         | 29         | 29         |    |
|                          | Fan speed          | Cooling     | Super High | rpm                       | 1010       | 1120       | 1330       |    |
|                          |                    |             | High       |                           | 900        | 970        | 1120       |    |
|                          |                    |             | Med.       |                           | 770        | 820        | 900        |    |
|                          |                    |             | Low        |                           | 610        | 670        | 770        |    |
| Silent                   |                    |             | 550        |                           | 580        | 580        |            |    |
| Heating                  |                    | Super High  | rpm        | 1080                      | 1250       | 1300       |            |    |
|                          |                    | High        |            | 900                       | 1060       | 1130       |            |    |
|                          |                    | Med.        |            | 750                       | 890        | 910        |            |    |
|                          |                    | Low         |            | 620                       | 750        | 750        |            |    |
|                          |                    | Silent      |            | 550                       | 610        | 610        |            |    |
| Fan speed regulator      |                    |             |            | 5                         |            |            |            |    |
| Remote controller model  |                    |             |            | SG191                     |            |            |            |    |



**NOTE:** Test conditions are based on ISO 5151.

Cooling: Indoor Dry-bulb temperature 27°C Wet-bulb temperature 19°C

Outdoor Dry-bulb temperature 35°C

Heating: Indoor Dry-bulb temperature 20°C

Outdoor Dry-bulb temperature 7°C Wet-bulb temperature 6°C

\*1 Measured under rated operating frequency.

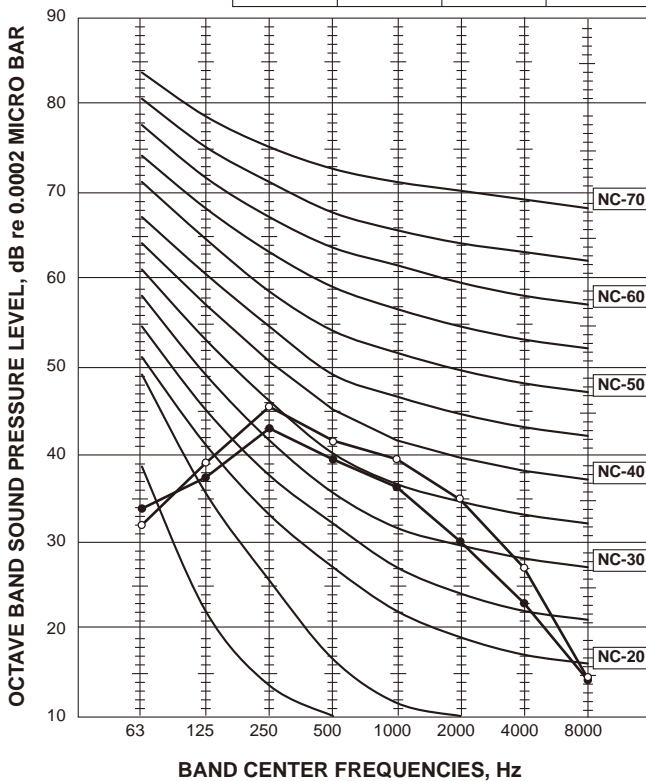
### Specifications and rating conditions of main electric parts

| Item                          | Model  | MFZ-KT25VG MFZ-KT35VG MFZ-KT50VG MFZ-KT60VG |  |  |  |
|-------------------------------|--------|---------------------------------------------|--|--|--|
|                               |        |                                             |  |  |  |
| Fuse                          | (F11)  | T3.15AL250V                                 |  |  |  |
| Horizontal vane motor (Front) | (MV1)  | 12 V DC 250 Ω                               |  |  |  |
| Horizontal vane motor (Back)  | (MV2)  | 12 V DC 250 Ω                               |  |  |  |
| Multi-flow vane motor         | (MV3)  | 12 V DC 350 Ω                               |  |  |  |
| Terminal block                | (TB)   | 3P                                          |  |  |  |
| Varistor                      | (NR11) | ERZVEAV471                                  |  |  |  |

## 5 NOISE CRITERIA CURVES

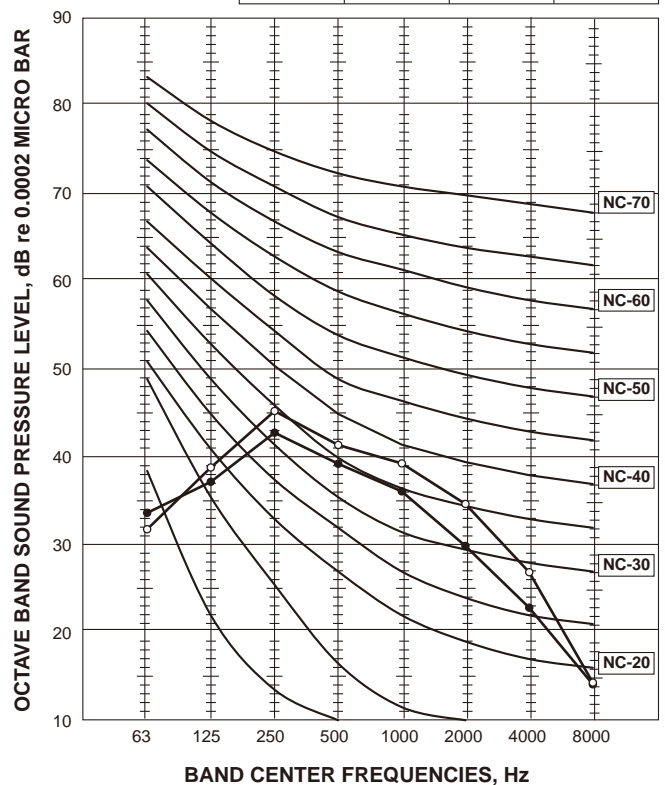
### MFZ-KT25VG

| FAN SPEED  | FUNCTION | SPL(dB(A)) | LINE |
|------------|----------|------------|------|
| Super High | COOLING  | 41         | ●—●  |
|            | HEATING  | 44         | ○—○  |



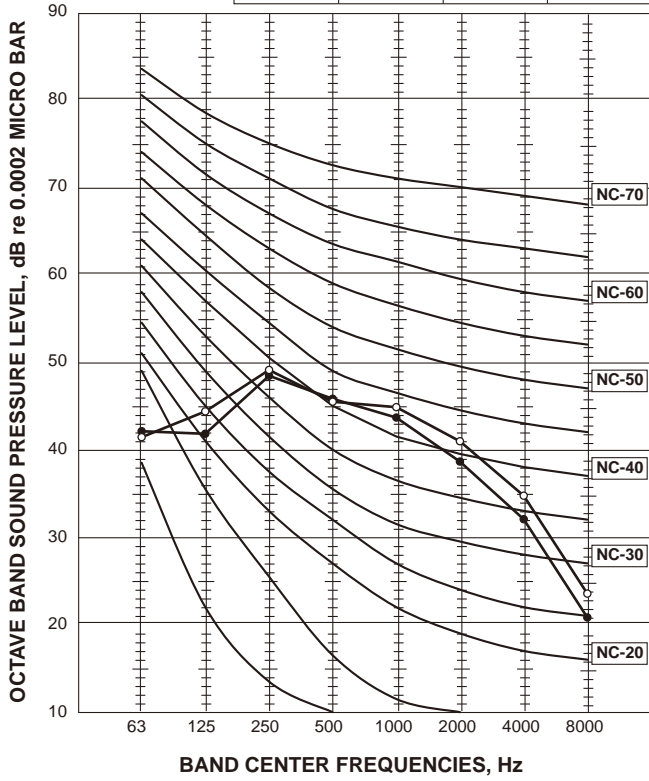
### MFZ-KT35VG

| FAN SPEED  | FUNCTION | SPL(dB(A)) | LINE |
|------------|----------|------------|------|
| Super High | COOLING  | 41         | ●—●  |
|            | HEATING  | 44         | ○—○  |



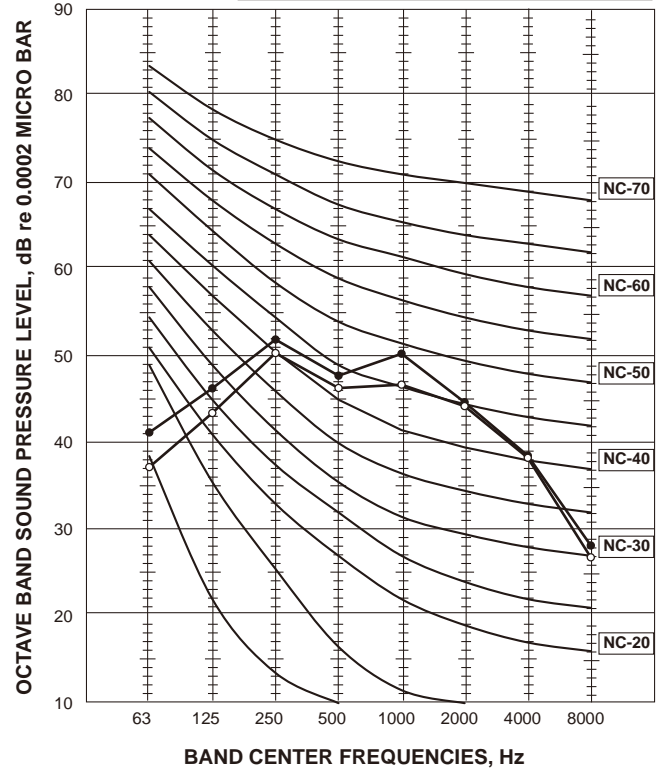
## MFZ-KT50VG

| FAN SPEED  | FUNCTION | SPL(dB(A)) | LINE |
|------------|----------|------------|------|
| Super High | COOLING  | 48         | ●—●  |
|            | HEATING  | 49         | ○—○  |



## MFZ-KT60VG

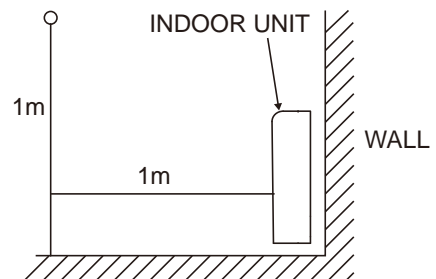
| FAN SPEED  | FUNCTION | SPL(dB(A)) | LINE |
|------------|----------|------------|------|
| Super High | COOLING  | 53         | ●—●  |
|            | HEATING  | 51         | ○—○  |



### Test conditions

Cooling : Dry-bulb temperature 27 °C Wet-bulb temperature 19 °C  
 Heating : Dry-bulb temperature 20 °C

### MICROPHONE

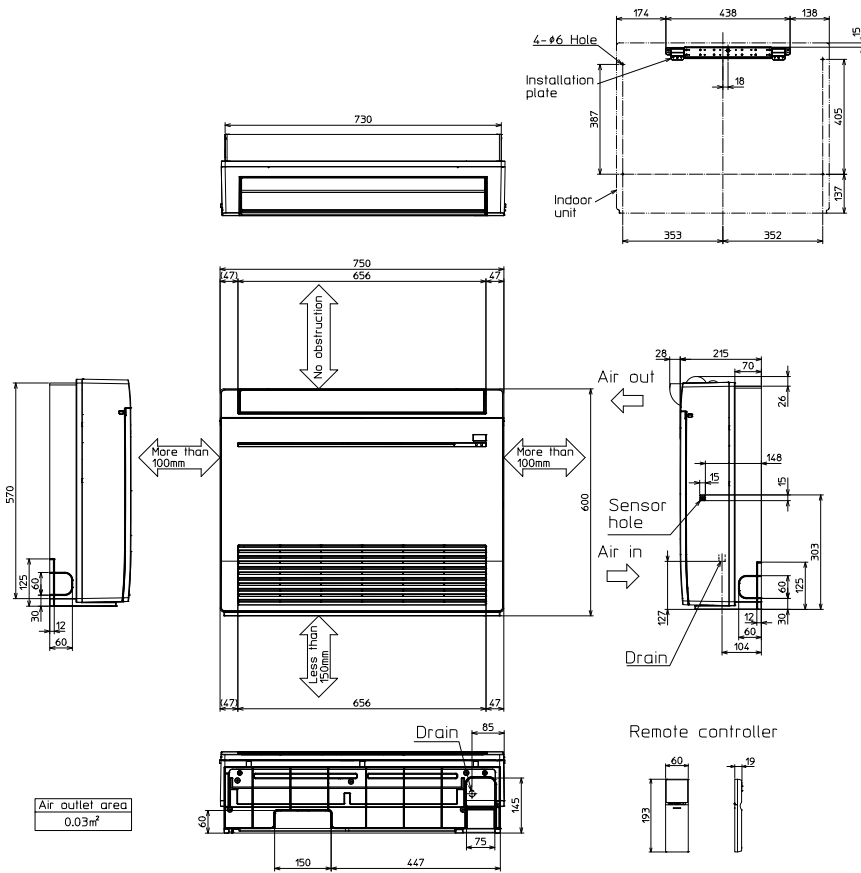


# 6

# OUTLINES AND DIMENSIONS

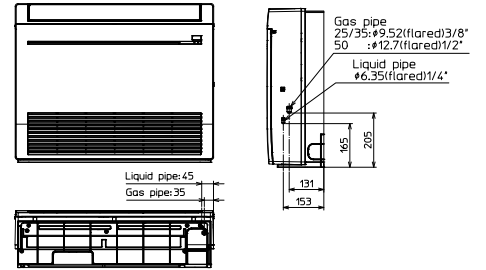
MFZ-KT25VG MFZ-KT35VG MFZ-KT50VG MFZ-KT60VG

Unit: mm

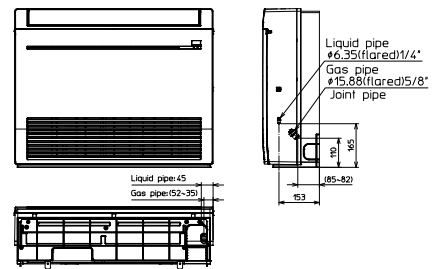


The position of gas pipe and liquid pipe

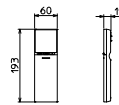
MFZ-KT25/35/50VG



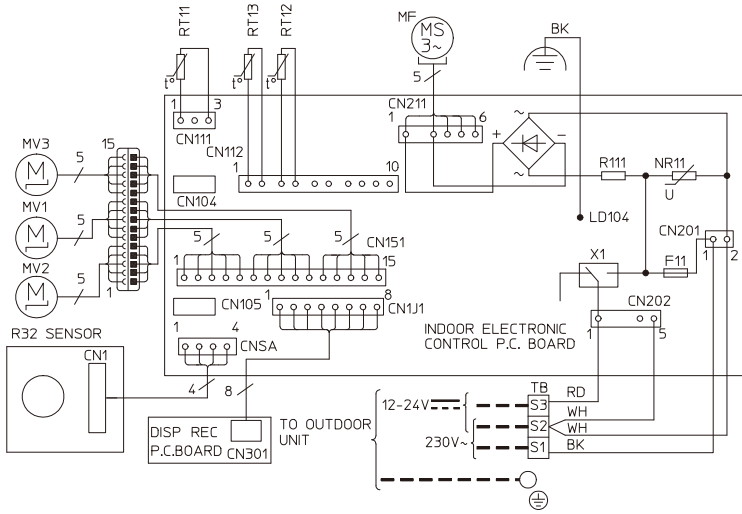
MFZ-KT60VG  
\*Use joint pipe (Accessory part)



Remote controller



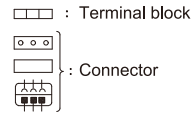
MFZ-KT25VG - E1 MFZ-KT35VG - E1 MFZ-KT50VG - E1



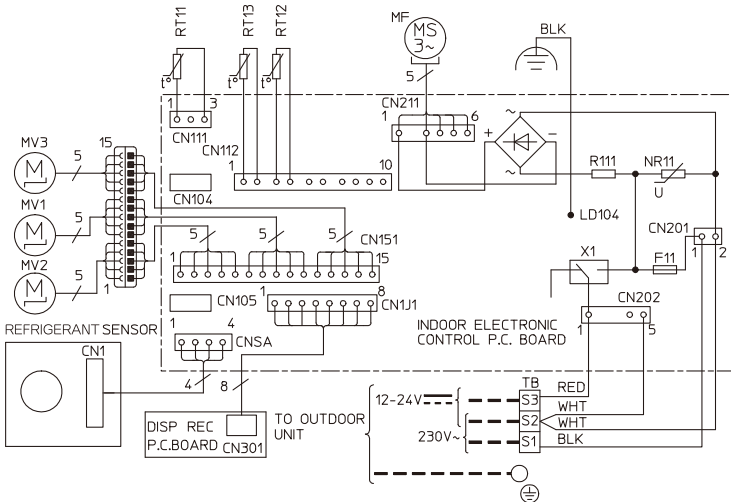
| SYMBOL | NAME                          | SYMBOL | NAME                         |
|--------|-------------------------------|--------|------------------------------|
| MF     | FAN MOTOR                     | TB     | TERMINAL BLOCK               |
| MV1    | HORIZONTAL VANE MOTOR (FRONT) | RT11   | ROOM TEMP. THERMISTOR        |
| MV2    | HORIZONTAL VANE MOTOR (BACK)  | RT12   | COIL TEMP. THERMISTOR(MAIN1) |
| MV3    | MULTI-FLOW VANE MOTOR         | RT13   | COIL TEMP. THERMISTOR(SUB)   |
| F11    | FUSE (T3.15AL250V)            | NR11   | VARISTOR                     |
| X1     | RELAY                         | R111   | RESISTOR                     |

NOTES:

- About the outdoor side electric wiring refer to the outdoor unit electric wiring diagram for servicing.
- Use copper conductors only. (For field wiring)
- Symbols below indicate.



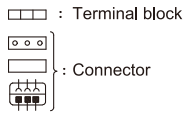
MFZ-KT25VG - ER1, E2 MFZ-KT35VG - ER1, E2 MFZ-KT50VG - ER1, E2



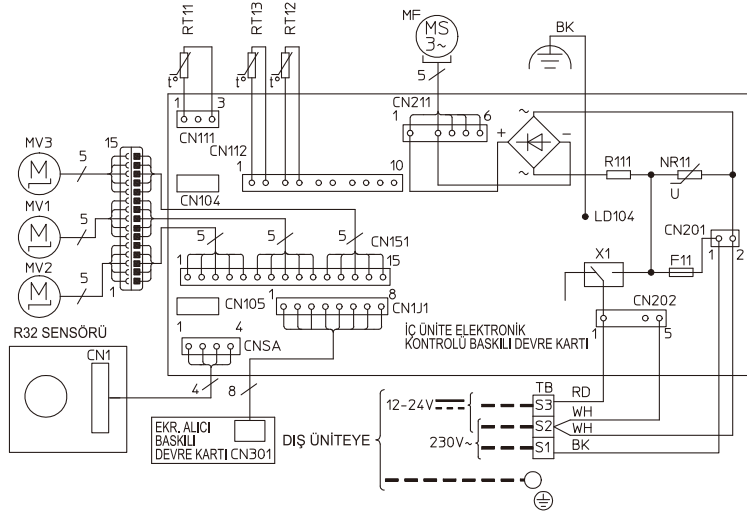
| SYMBOL | NAME                          | SYMBOL | NAME                         |
|--------|-------------------------------|--------|------------------------------|
| MF     | FAN MOTOR                     | TB     | TERMINAL BLOCK               |
| MV1    | HORIZONTAL VANE MOTOR (FRONT) | RT11   | ROOM TEMP. THERMISTOR        |
| MV2    | HORIZONTAL VANE MOTOR (BACK)  | RT12   | COIL TEMP. THERMISTOR(MAIN1) |
| MV3    | MULTI-FLOW VANE MOTOR         | RT13   | COIL TEMP. THERMISTOR(SUB)   |
| F11    | FUSE (T3.15AL250V)            | NR11   | VARISTOR                     |
| X1     | RELAY                         | R111   | RESISTOR                     |

NOTES:

- About the outdoor side electric wiring refer to the outdoor unit electric wiring diagram for servicing.
- Use copper conductors only. (For field wiring)
- Symbols below indicate.



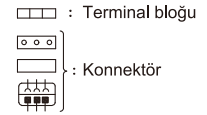
**MFZ-KT25VG - [ET1] MFZ-KT35VG - [ET1] MFZ-KT50VG - [ET1]**



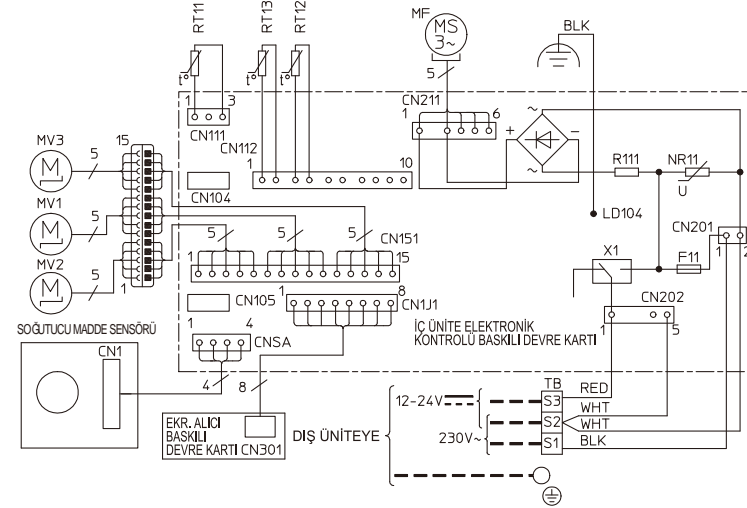
| SEMBOL | PARÇA ADI                   | SEMBOL | PARÇA ADI                           |
|--------|-----------------------------|--------|-------------------------------------|
| MF     | FAN MOTORU                  | TB     | TERMINAL BLOĞU                      |
| MV1    | YATAY PERVANE MOTORU (ÖN)   | RT11   | ODA SICAKL. TERMİSTÖRÜ              |
| MV2    | YATAY PERVANE MOTORU (ARKA) | RT12   | BOBİN SICAKL. TERMİSTÖRÜ (ASIL1)    |
| MV3    | ÇOK AKISLI PERVANE MOTORU   | RT13   | BOBİN SICAKL. TERMİSTÖRÜ (YARDIMCI) |
| F11    | SİGORTA (T3.15AL250V)       | NR11   | VARİSTÖR                            |
| X1     | RÖLE                        | R111   | DİRENÇ                              |

**NOTLAR:**

1. Dış ünite elektrik şeması ile ilgili servis için dış ünite elektrik şemasına bakın.
2. Sadece bakır kablolar kullanın. (Saha kablo bağlantısı için)
3. Aşağıdaki sembollerin açıklaması.



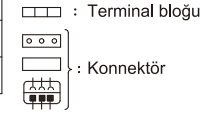
**MFZ-KT25VG - [ET2] MFZ-KT35VG - [ET2] MFZ-KT50VG - [ET2]**



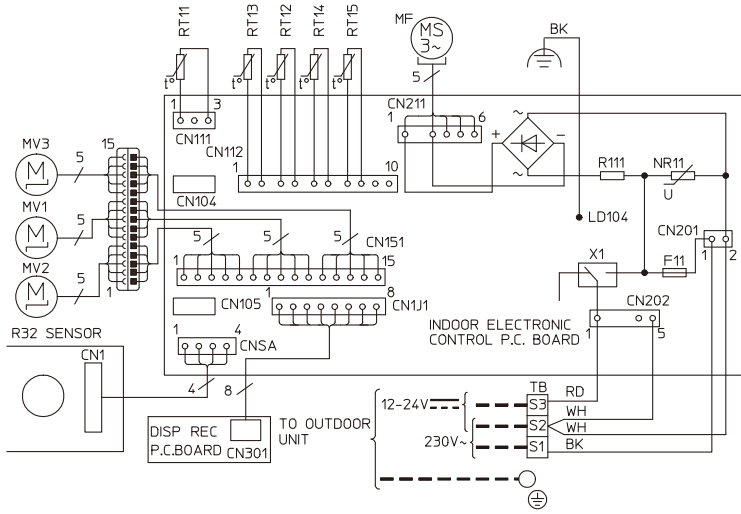
| SEMBOL | PARÇA ADI                   | SEMBOL | PARÇA ADI                           |
|--------|-----------------------------|--------|-------------------------------------|
| MF     | FAN MOTORU                  | TB     | TERMINAL BLOĞU                      |
| MV1    | YATAY PERVANE MOTORU (ÖN)   | RT11   | ODA SICAKL. TERMİSTÖRÜ              |
| MV2    | YATAY PERVANE MOTORU (ARKA) | RT12   | BOBİN SICAKL. TERMİSTÖRÜ (ASIL1)    |
| MV3    | ÇOK AKISLI PERVANE MOTORU   | RT13   | BOBİN SICAKL. TERMİSTÖRÜ (YARDIMCI) |
| F11    | SİGORTA (T3.15AL250V)       | NR11   | VARİSTÖR                            |
| X1     | RÖLE                        | R111   | DİRENÇ                              |

**NOTLAR:**

1. Dış ünite elektrik şeması ile ilgili servis için dış ünite elektrik şemasına bakın.
2. Sadece bakır kablolar kullanın. (Saha kablo bağlantısı için)
3. Aşağıdaki sembollerin açıklaması.



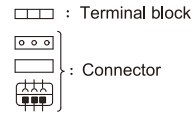
## MFZ-KT60VG - [E1]



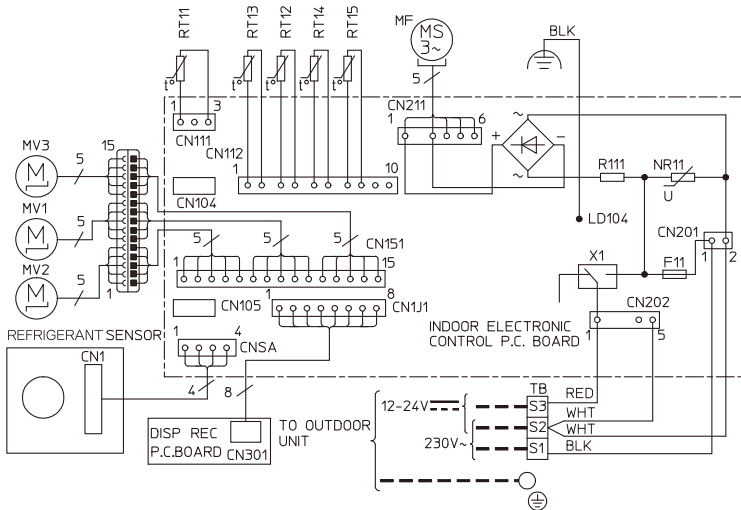
| SYMBOL | NAME                          | SYMBOL | NAME                         |
|--------|-------------------------------|--------|------------------------------|
| MF     | FAN MOTOR                     | RT11   | ROOM TEMP. THERMISTOR        |
| MV1    | HORIZONTAL VANE MOTOR (FRONT) | RT12   | COIL TEMP. THERMISTOR(MAIN1) |
| MV2    | HORIZONTAL VANE MOTOR (BACK)  | RT13   | COIL TEMP. THERMISTOR(SUB)   |
| MV3    | MULTI-FLOW VANE MOTOR         | RT14   | COIL TEMP. THERMISTOR(MAIN2) |
| F11    | FUSE (T3.15AL250V)            | RT15   | COIL TEMP. THERMISTOR(MAIN3) |
| X1     | RELAY                         | NR11   | VARISTOR                     |
| TB     | TERMINAL BLOCK                | R111   | RESISTOR                     |

### NOTES:

- About the outdoor side electric wiring refer to the outdoor unit electric wiring diagram for servicing.
- Use copper conductors only. (For field wiring)
- Symbols below indicate.



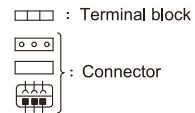
## MFZ-KT60VG - [ER1], [E2]



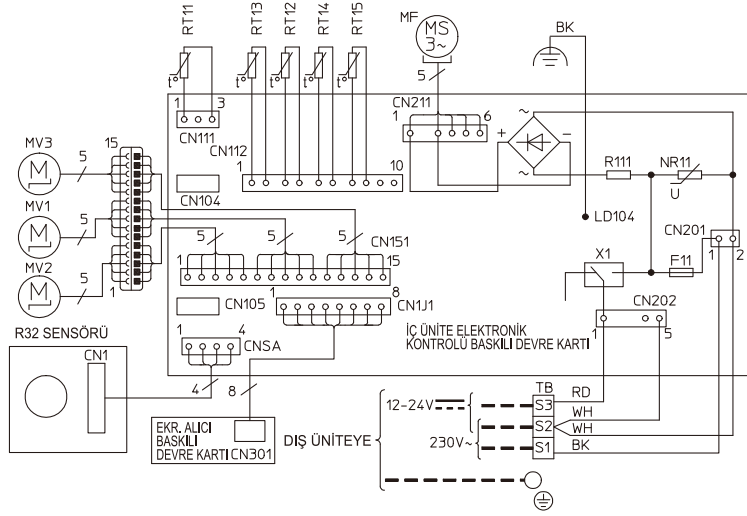
| SYMBOL | NAME                          | SYMBOL | NAME                         |
|--------|-------------------------------|--------|------------------------------|
| MF     | FAN MOTOR                     | RT11   | ROOM TEMP. THERMISTOR        |
| MV1    | HORIZONTAL VANE MOTOR (FRONT) | RT12   | COIL TEMP. THERMISTOR(MAIN1) |
| MV2    | HORIZONTAL VANE MOTOR (BACK)  | RT13   | COIL TEMP. THERMISTOR(SUB)   |
| MV3    | MULTI-FLOW VANE MOTOR         | RT14   | COIL TEMP. THERMISTOR(MAIN2) |
| F11    | FUSE (T3.15AL250V)            | RT15   | COIL TEMP. THERMISTOR(MAIN3) |
| X1     | RELAY                         | NR11   | VARISTOR                     |
| TB     | TERMINAL BLOCK                | R111   | RESISTOR                     |

### NOTES:

- About the outdoor side electric wiring refer to the outdoor unit electric wiring diagram for servicing.
- Use copper conductors only. (For field wiring)
- Symbols below indicate.



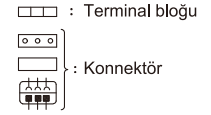
## MFZ-KT60VG - ET1



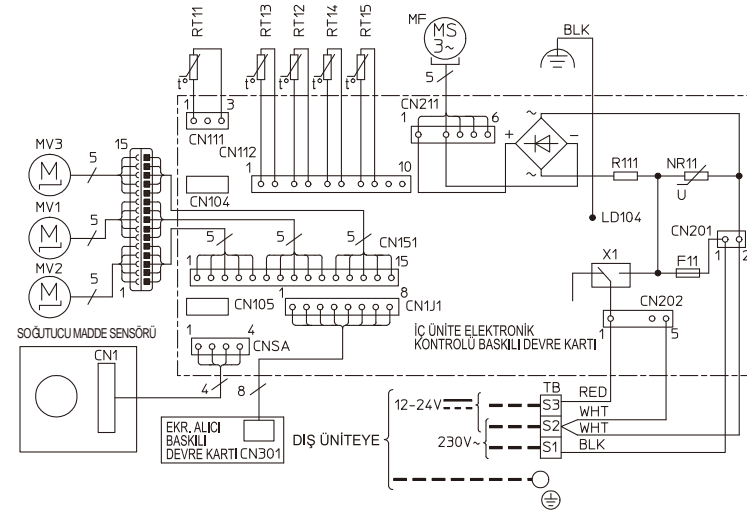
| SEMBOL | PARÇA ADI                    | SEMBOL | PARÇA ADI                           |
|--------|------------------------------|--------|-------------------------------------|
| MF     | FAN MOTORU                   | RT11   | ODA SICAKL. TERMİSTÖRÜ              |
| MV1    | YATAY PERVA NE MOTORU (ON)   | RT12   | BOBİN SICAKL. TERMİSTÖRÜ (ASIL1)    |
| MV2    | YATAY PERVA NE MOTORU (ARKA) | RT13   | BOBİN SICAKL. TERMİSTÖRÜ (YARDIMCI) |
| MV3    | ÇOK AKIŞLI PERVA NE MOTORU   | RT14   | BOBİN SICAKL. TERMİSTÖRÜ (ASIL2)    |
| F11    | SİGORTA (T3,15AL250V)        | RT15   | BOBİN SICAKL. TERMİSTÖRÜ (ASIL3)    |
| X1     | RÖLE                         | NR11   | VARİSTÖR                            |
| TB     | TERMINAL BLOĞU               | R111   | DİRENÇ                              |

### NOTLAR:

1. Dış ünite elektrik şeması ile ilgili servis için dış ünite elektrik şemasına bakın.
2. Sadece bakır kablolar kullanın. (Saha kablo bağlantısı için)
3. Aşağıdaki sembollerin açıklaması.



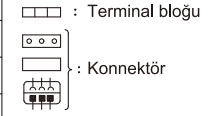
## MFZ-KT60VG - ET2



| SEMBOL | PARÇA ADI                    | SEMBOL | PARÇA ADI                           |
|--------|------------------------------|--------|-------------------------------------|
| MF     | FAN MOTORU                   | RT11   | ODA SICAKL. TERMİSTÖRÜ              |
| MV1    | YATAY PERVA NE MOTORU (ON)   | RT12   | BOBİN SICAKL. TERMİSTÖRÜ (ASIL1)    |
| MV2    | YATAY PERVA NE MOTORU (ARKA) | RT13   | BOBİN SICAKL. TERMİSTÖRÜ (YARDIMCI) |
| MV3    | ÇOK AKIŞLI PERVA NE MOTORU   | RT14   | BOBİN SICAKL. TERMİSTÖRÜ (ASIL2)    |
| F11    | SİGORTA (T3,15AL250V)        | RT15   | BOBİN SICAKL. TERMİSTÖRÜ (ASIL3)    |
| X1     | RÖLE                         | NR11   | VARİSTÖR                            |
| TB     | TERMINAL BLOĞU               | R111   | DİRENÇ                              |

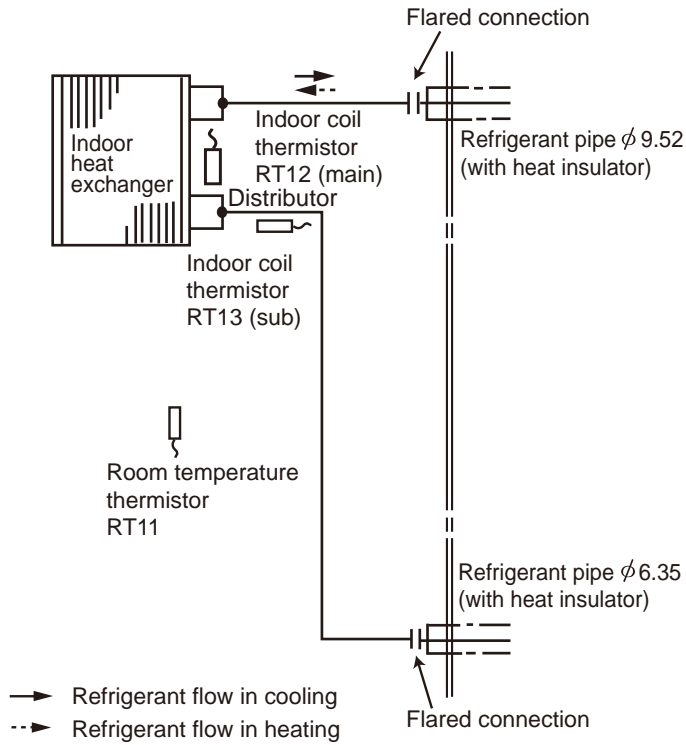
### NOTLAR:

1. Dış ünite elektrik şeması ile ilgili servis için dış ünite elektrik şemasına bakın.
2. Sadece bakır kablolar kullanın. (Saha kablo bağlantısı için)
3. Aşağıdaki sembollerin açıklaması.

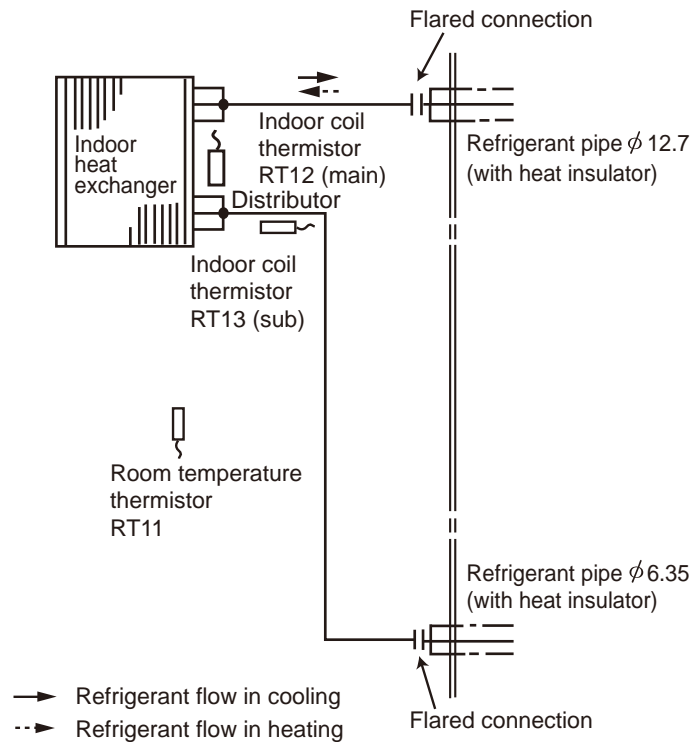


MFZ-KT25VG MFZ-KT35VG

Unit: mm



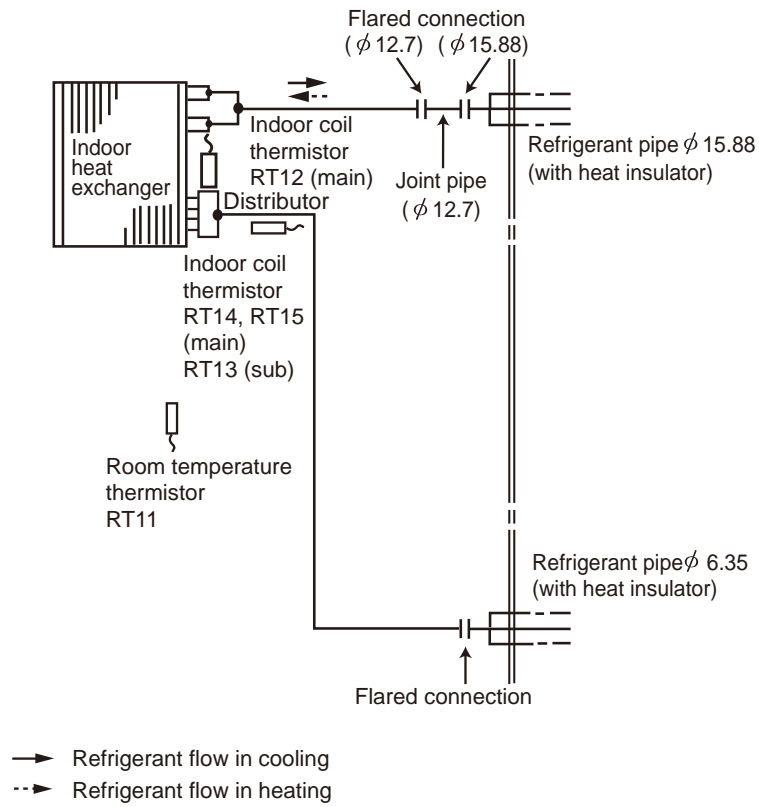
MFZ-KT50VG





MFZ-KT60VG

Unit: mm



## MFZ-KT25VG MFZ-KT35VG MFZ-KT50VG MFZ-KT60VG

### 9-1. TIMER SHORT MODE

- For service, the following set time can be shortened by bridging the timer short mode point on the electronic control P.C. board. (Refer to 11-7.)
- The set time for the ON/OFF timer can be reduced to 1 second for each minute.
- After the breaker is turned on, the time for starting the compressor, which normally takes 3 minutes, can be reduced to 1 minute. Restarting the compressor, which takes 3 minutes, cannot be reduced.

### 9-2. HOW TO SET REMOTE CONTROLLER EXCLUSIVELY FOR A PARTICULAR INDOOR UNIT

A maximum of 4 indoor units with wireless remote controllers can be used in a room.

To operate the indoor units individually with each remote controller, assign a number to each remote controller according to the number of the indoor unit.

**This setting can be set only when all the following conditions are met:**

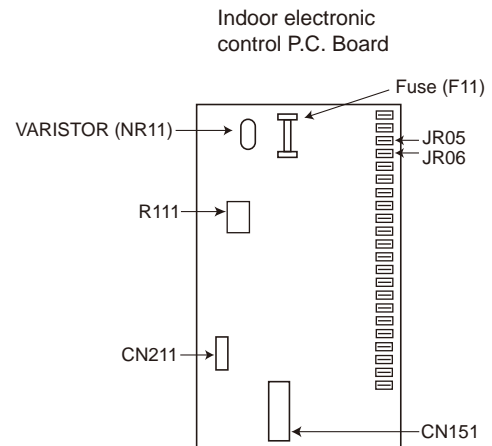
- The remote controller is powered OFF.
- Weekly timer is not set.
- Weekly timer is not being edited.

#### 1. How to modify the electronic control P.C. board

Turn OFF the power supply before modification. To assign a number to each indoor unit, cut off "JR05" and "JR06" on the electronic control P.C. board as shown in Table 1. (Refer to 11-7.)

**Table 1**

|            | JR05            | JR06            |
|------------|-----------------|-----------------|
| Unit No. 1 | No modification | No modification |
| Unit No. 2 | Cut off JR05    | No modification |
| Unit No. 3 | No modification | Cut off JR06    |
| Unit No. 4 | Cut off JR05    | Cut off JR06    |



#### 2. How to set the remote controller

- (1) Hold down  $\boxed{1\sim4}$  button on the remote controller for 2 seconds to enter the pairing mode.
- (2) Press  $\boxed{1\sim4}$  button again and assign a number to each remote controller.  
Each press of  $\boxed{1\sim4}$  button advances the number in the following order: 1 → 2 → 3 → 4.
- (3) Press  $\boxed{\text{EDIT/SEND SET}}$  button to complete the pairing setting.

After the setting, turn ON the power supply and with the remote controller headed towards the indoor unit, press the OFF/ON (stop/operate) button. If 1 or 2 beeps is heard from the indoor unit, the setting is completed correctly.

The remote controller that first sends a signal to an indoor unit will be regarded as the remote controller for the indoor unit.

Once they are set, the indoor unit will only receive the signal from the assigned remote controller afterwards.

### 9-3. AUTO RESTART FUNCTION

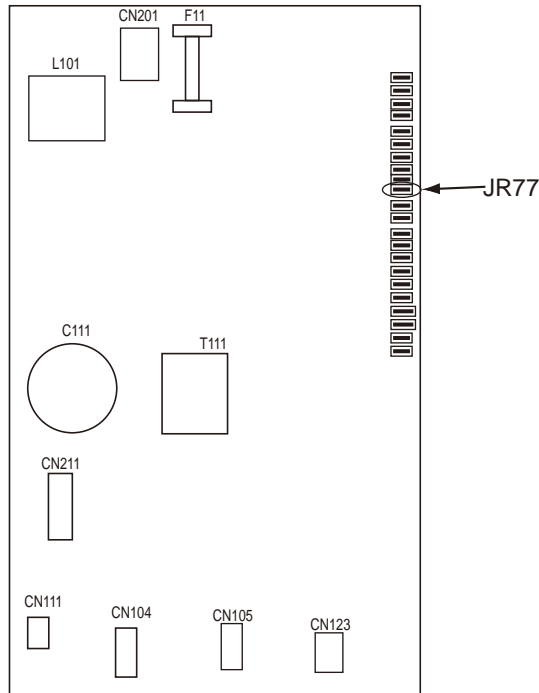
When the indoor unit is controlled with the remote controller, the operation mode, the set temperature, and the fan speed are memorized by the indoor electronic control P.C. board. "AUTO RESTART FUNCTION" automatically starts operation in the same mode just before the shutoff of the main power.

#### Operation

- ① If the main power has been cut, the operation settings remain.
- ② After the power is restored, the unit restarts automatically according to the memory.  
(However, it takes at least 3 minutes for the compressor to start running.)

#### How to disable "AUTO RESTART FUNCTION"

- ① Turn off the main power for the unit.
- ② Cut the Jumper wire to JR77 on the indoor electronic control P.C. board. (Refer to 11-7.)

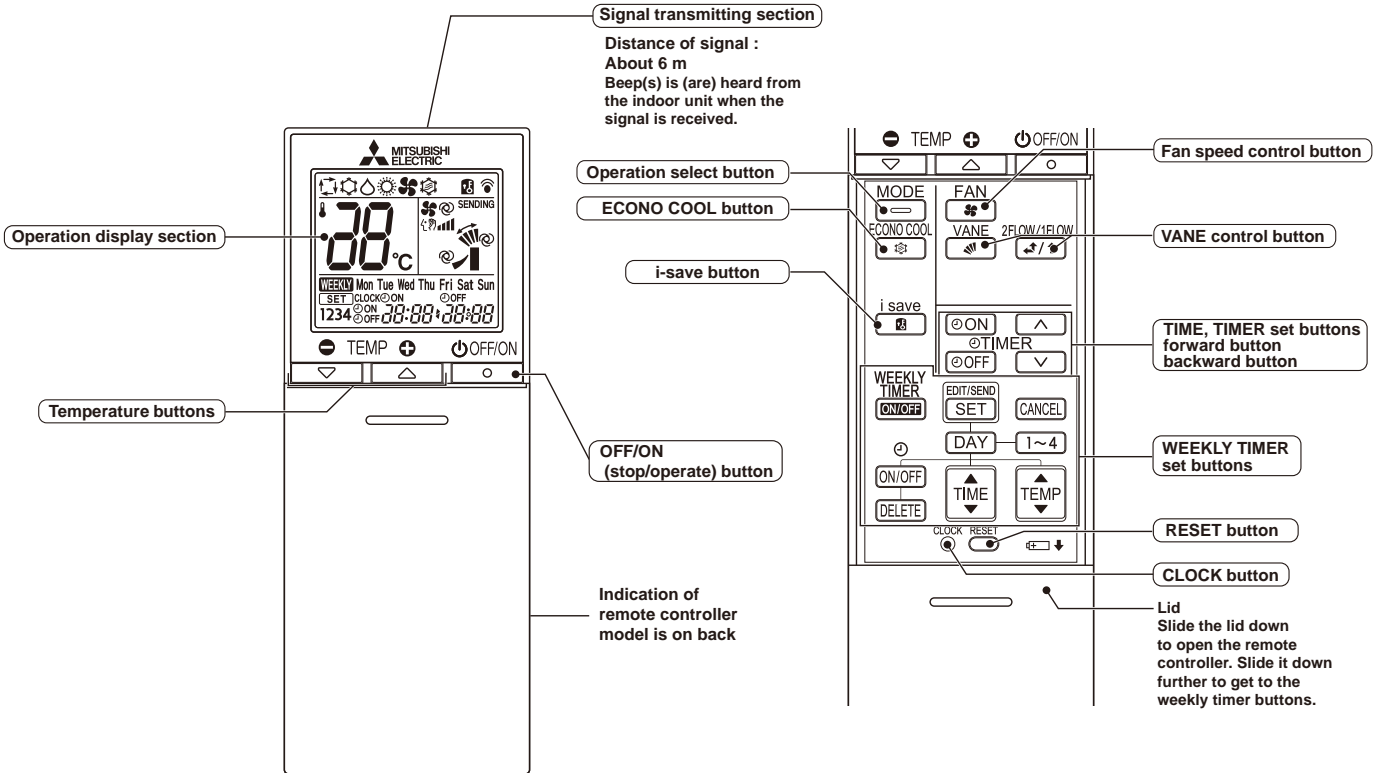


#### NOTE:

- The operation settings are memorized when 10 seconds have passed after the indoor unit was operated with the remote controller.
- If main power is turned OFF or a power failure occurs while AUTO START/STOP timer is active, the timer setting is cancelled.
- If the unit has been off with the remote controller before power failure, the auto restart function does not work as the power button of the remote controller is off.
- To prevent breaker OFF due to the rush of starting current, systematize other home appliance not to turn ON at the same time.
- When some air conditioners are connected to the same supply system, if they are operated before power failure, the starting current of all the compressors may flow simultaneously at restart. Therefore, the special counter measures are required to prevent the main voltage-drop or the rush of the starting current by adding to the system that allows the units to start one by one.

MFZ-KT25VG MFZ-KT35VG MFZ-KT50VG MFZ-KT60VG

WIRELESS REMOTE CONTROLLER



**NOTE:** Last setting will be stored after the unit is turned OFF with the remote controller. Indoor unit receives the signal of the remote controller with beeps.

INDOOR UNIT DISPLAY SECTION

Operation Indicator lamp

The operation indicator at the right side of the indoor unit indicates the operation state.  
 •The following indication applies regardless of the indication.

| Indication | Operation state                                         | Room temperature                            |
|------------|---------------------------------------------------------|---------------------------------------------|
| ● ●        | The unit is operating to reach the set temperature      | About 2°C or more away from set temperature |
| ● ○        | The room temperature is approaching the set temperature | About 1 to 2°C from set temperature         |
| ● ☉        | Standby mode (only during multi system operation)       | —                                           |

● Lit  
 ● Blinking  
 ○ Not lit

10-1. COOL (❄️) OPERATION

- (1) Press OFF/ON (stop/operate) button.  
OPERATION INDICATOR lamp of the indoor unit turns on with a beep tone.
- (2) Select COOL mode with Operation select button.
- (3) Press Temperature buttons TEMP (⊖) or (⊕) button to select the set temperature. The setting range is 16 - 31°C.

1. Coil frost prevention

The compressor operational frequency is controlled by the temperature of the indoor heat exchanger to prevent the coil from frosting.

When the temperature of indoor heat exchanger becomes too low, the coil frost prevention mode works.

The indoor fan operates at the set speed and the compressor stops. This mode continues until the temperature of indoor heat exchanger rises.

2. Low outside temperature operation

When the outside temperature is lower, low outside temperature operation starts, and the outdoor fan slows or stops.

3. Indoor fan speed control

When the thermostat turns OFF, the indoor fan operates at the setting fan speed.

## 10-2. DRY (△) OPERATION

- (1) Press OFF/ON (stop/operate) button.  
OPERATION INDICATOR lamp of the indoor unit turns on with a beep tone.
- (2) Select DRY mode with Operation select button.
- (3) The set temperature is determined from the initial room temperature.

### 1. Coil frost prevention

Coil frost prevention works the same way as that in COOL mode. (10-1.1.)

### 2. Low outside temperature operation

Low outside temperature operation works the same way as that in COOL mode. (10-1.2.)

### 3. Indoor fan speed control

Indoor fan speed control works the same way as that in COOL mode. (10-1.3.)

However in AUTO setting, the fan speed changes.

## 10-3. FAN (⌘) OPERATION

- (1) Press OFF/ON (stop/operate) button.  
OPERATION INDICATOR lamp of the indoor unit turns on with a beep tone.
  - (2) Select FAN mode with Operation select button.
  - (3) Select the desired fan speed. When AUTO, it becomes Low.  
Only indoor fan operates.  
Outdoor unit does not operate.
- NOTE:** Temperature cannot be set during FAN mode.

## 10-4. HEAT (☀) OPERATION

- (1) Press OFF/ON (stop/operate) button.  
OPERATION INDICATOR lamp of the indoor unit turns on with a beep tone.
- (2) Select HEAT mode with Operation select button.
- (3) Press Temperature buttons TEMP ⊖ or ⊕ button to select the set temperature. The setting range is 16 - 31°C.

### 1. Cold air prevention control

When the compressor is not operating or is starting, and the temperature of indoor heat exchanger and/or the room temperature is low or when defrosting is being done, the indoor fan will stop or rotate in Very Low speed.

### 2. High pressure protection

The compressor operational frequency is controlled by the temperature of the indoor heat exchanger to prevent the condensing pressure from increasing excessively.

When the temperature of indoor heat exchanger becomes too high, the high pressure protection works.

This mode continues until the temperature of indoor heat exchanger falls.

### 3. Defrosting

Defrosting starts when the temperature of outdoor heat exchanger becomes too low.

The compressor stops once, the indoor/outdoor fans stop, the 4-way valve reverses, and the compressor re-starts.

This mode continues until the temperature of outdoor heat exchanger rises or the fixed time passes.

## 10-5. AUTO CHANGE OVER --- AUTO MODE OPERATION

Once set temperature is set, unit operation is switched automatically between COOL and HEAT operation.

### 1. Mode selection

- (1) Initial mode  
At first indoor unit operates only indoor fan with outdoor unit OFF for 3 minutes to detect present room temperature.  
Following the conditions below, operation mode is selected.
  - ① If the room temperature thermistor RT11 reads more than set temperature, COOL mode is selected.
  - ② If the room temperature thermistor RT11 reads set temperature or less, HEAT mode is selected.
- (2) Mode change  
In case of the following conditions the operation mode is changed.
  - ① COOL mode changes to HEAT mode when 15 minutes have passed with the room temperature 2 degrees below the set temperature.
  - ② HEAT mode changes to COOL mode when 15 minutes have passed with the room temperature 2 degrees below the set temperature.

In the other cases than the above conditions, the present operation mode is continued.

**NOTE 1:** Mode selection is performed when multi standby (refer to **NOTE 2**) is released and the unit starts operation with ON-timer.

**NOTE 2:** If 2 or more indoor units are operating in multi system, there might be a case that the indoor unit, which is operating in AUTO (□), cannot change over the other operating mode (COOL ↔ HEAT) and becomes a state of standby.


**NOTE 3:** At the beginning of AUTO mode, the airflow direction and the fan speed are set to AUTO and the air outlet selection is set to 2 FLOW.

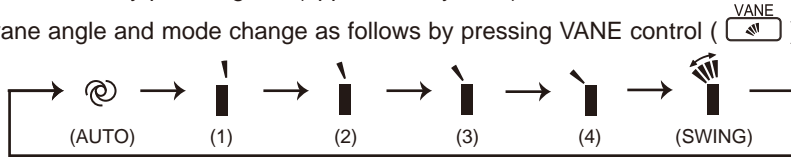
## 10-6. AUTO VANE OPERATION

### 1. Horizontal vane (Horizontal vane/Multi-flow vane)

#### (1) Vane motor drive

These models are equipped with a stepping motors for the horizontal vanes. The rotating direction, speed, and angle of the motor are controlled by pulse signals (approximately 12 V) transmitted from indoor microprocessor.

(2) The horizontal vane angle and mode change as follows by pressing VANE control (  ) button.



#### (3) Positioning

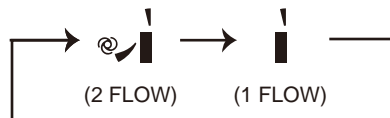
The vane presses the vane stopper once to confirm the standard position and then moves to the set angle. Confirming of standard position is performed in case of the followings.

- The power supply turns on.
- The operation starts or finishes (including timer operation).
- The test run starts.
- The multi-standby starts or finishes.
- Every time the vane has swung more than the specified numbers of times.
- The horizontal vane automatically moves in certain intervals to determine its position, and then it returns to set position.
- The vane operates for the dew prevention.

#### (4) Air outlet selection

The air outlet(s) can be selected by pressing to VANE control (  ) button.

When 2 FLOW is selected, air blows from the top and the front of the unit. When 1 FLOW is selected, air blows only from the top of the unit.



The multi-flow vane is automatically set to the appropriate position.

In HEAT, the multi-flow vane automatically changes its position according to the indoor fan speed.

Even if 2 FLOW is selected, air will blow only from the top of the unit in the following conditions:

- During COOL/DRY: The room temperature is close to set temperature.  
The air conditioner has operated for 0.5 to 1 hour.
- During HEAT: The airflow temperature is low. (During defrosting operation, start of operation, etc.)

#### NOTE:

##### Movement at the start of the 2 FLOW operation

- COOL/DRY, HEAT: It takes 0.5 to 1 minute to start the 2 FLOW operation.
- HEAT: When cold air blows out from the air outlet, the multi-flow vane may stop moving for up to 10 minutes to make and blow out warm air.

(5) VANE AUTO (Ⓢ) mode

In VANE AUTO mode, the microprocessor automatically determines the vane angle to make the optimum room temperature distribution.

In COOL, DRY and FAN operation

2 FLOW: Vane angle is fixed to position 2.

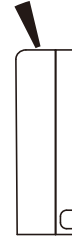


1 FLOW: Vane angle is fixed to position 1.



In HEAT operation

2 FLOW: Vane angle is fixed to position 2.



1 FLOW: Vane angle is fixed to position 3.



(6) STOP (operation OFF) and ON TIMER standby

In the following cases, the horizontal vane returns to the closed position.

(a) When OFF/ON (stop/operate) button is pressed (POWER OFF).

(b) When the operation is stopped by the emergency operation.

(c) When ON TIMER is ON standby.

(7) Dew prevention

During COOL or DRY operation with the vane angle at Angle 3 or 4 when the compressor cumulative operation time exceeds 1 hour, the vane angle automatically changes to Angle 1 for dew prevention.

(8) SWING (↔) mode

By selecting SWING mode with VANE control button, the horizontal vanes swing vertically.

The remote controller displays "↔". SWING mode is cancelled when VANE control button is pressed once again.

(9) Cold air prevention in HEAT operation

The horizontal vane position is set to Upward.

(10) ECONO COOL (Ⓢ) operation (ECONOMical operation)

When ECONO COOL button is pressed in COOL mode, set temperature is automatically set 2°C higher by the microprocessor. However, the temperature on the LCD screen on the remote controller is not changed. Also the horizontal vane swings in various cycle.

SWING operation makes you feel cooler than set temperature. So, even though the set temperature is higher, the air conditioner can keep comfort. As a result, energy can be saved.

To cancel this operation, select a different mode or press one of the following buttons in ECONO COOL operation: ECONO COOL, VANE control button.

## 10-7. TIMER OPERATION

### 1. How to set the time

- (1) Check that the current time is set correctly.

**NOTE:** Timer operation will not work without setting the current time. Initially "0:00" blinks at the current time display of TIME MONITOR, so set the current time correctly with CLOCK button.

#### How to set the current time

- (a) Press the CLOCK button.
- (b) Press the TIME SET buttons ( $\square \wedge$  and  $\square \vee$ ) to set the current time.
- Each time forward button ( $\square \wedge$ ) is pressed, the set time increases by 1 minute, and each time backward button ( $\square \vee$ ) is pressed, the set time decreases by 1 minute.
  - Pressing those buttons longer, the set time increases/decreases by 10 minutes.
- (c) Press the CLOCK set button.
- (2) Press OFF/ON (stop/operate) button to start the air conditioner.
- (3) Set the time of timer.

#### ON timer setting

- (a) Press ON TIMER button ( $\text{ON}$ ) during operation.
- (b) Set the time of the timer using TIME SET buttons ( $\square \wedge$  and  $\square \vee$ ). \*

#### OFF timer setting

- (a) Press OFF TIMER button ( $\text{OFF}$ ) during operation.
- (b) Set the time of the timer using TIME SET buttons ( $\square \wedge$  and  $\square \vee$ ). \*

\*Each time forward button ( $\square \wedge$ ) is pressed, the set time increases by 10 minutes: each time backward button ( $\square \vee$ ) is pressed, the set time decreases by 10 minutes.

### 2. To release the timer

To release ON timer, press ON TIMER button ( $\text{ON}$ ).

To release OFF timer, press OFF TIMER button ( $\text{OFF}$ ).

TIMER is cancelled and the display of set time disappears.

## PROGRAM TIMER

- OFF timer and ON timer can be used in combination. The set time that is reached first will operate first.

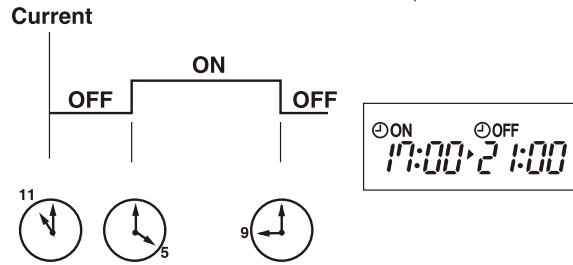
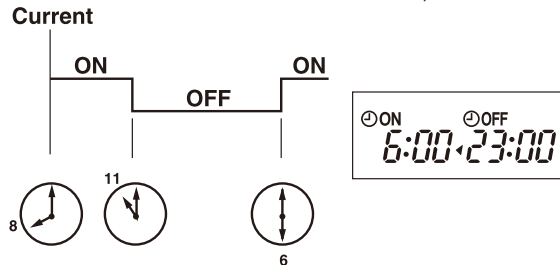
- "◀" and "▶" display shows the order of OFF timer and ON timer operation.

(Example 1) The current time is 8:00 PM.

The unit turns off at 11:00 PM, and on at 6:00 AM.

(Example 2) The current time is 11:00 AM.

The unit turns on at 5:00 PM, and off at 9:00 PM.

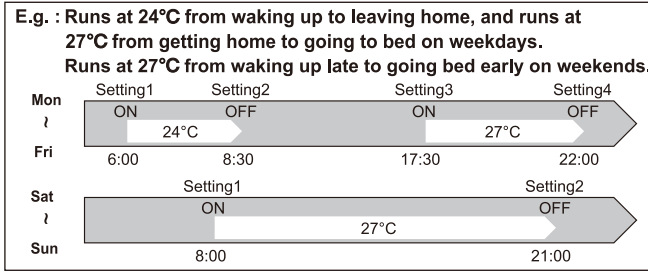


**NOTE:** If the main power is turned OFF or a power failure occurs while ON/OFF timer is active, the timer setting is cancelled. As these models are equipped with an auto restart function, the air conditioner starts operating with timer cancelled when power is restored.



## 10-8. WEEKLY TIMER OPERATION

- A maximum of 4 ON or OFF timers can be set for individual days of the week.
- A maximum of 28 ON or OFF timers can be set for a week.



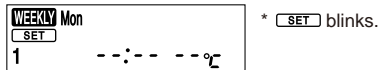
### NOTE:

- The simple ON/OFF timer setting is available while the weekly timer is on. In this case, the ON/OFF timer has priority over the weekly timer; the weekly timer operation will start again after the simple ON/OFF timer is complete.
- When the weekly timer is set, temperature cannot be set to 10°C.
- The weekly timer operation and i-save operation cannot be used together.

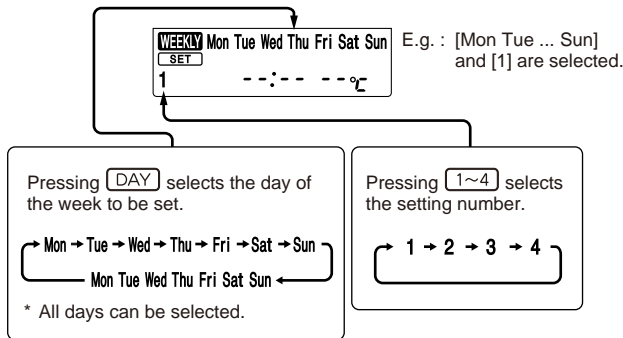
### 1. How to set the weekly timer

\* Make sure that the current time and day are set correctly.

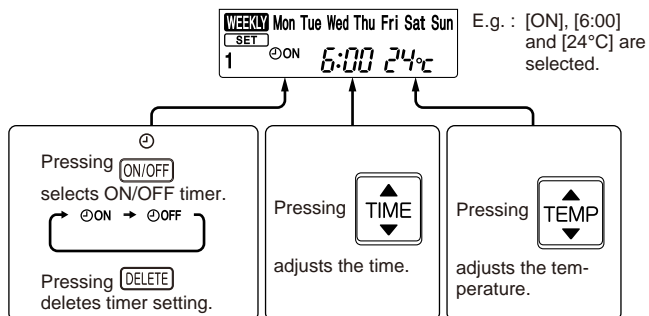
(1) Press **EDIT/SEND** **SET** button to enter the weekly timer setting mode.



(2) Press **DAY** and **1~4** buttons to select setting day and number.




(3) Press **ON/OFF**, **TIME**, and **TEMP** buttons to set ON/OFF, time, and temperature.



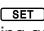
\* Hold down the button to change the time quickly.

\* The temperature can be set between 16 °C and 31 °C at weekly timer.





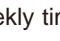
Press **DAY** and **1~4** buttons to continue setting the timer for other days and/or numbers.



(4) Press  button to complete and transmit the weekly timer setting.





\*  which was blinking goes out, and the current time will be displayed.

#### NOTE:

- Press  button to transmit the setting information of weekly timer to the indoor unit. Point the remote controller toward the indoor unit for 3 seconds.
- When setting the timer for more than one day of the week or one number,  button does not have to be pressed per each setting. Press  button once after all the settings are complete. All the weekly timer settings will be saved.
- Press  button to enter the weekly timer setting mode, and press and hold  button for 5 seconds to erase all weekly timer settings. Point the remote controller toward the indoor unit.

(5) Press  button to turn the weekly timer ON. (  lights.)


- When the weekly timer is ON, the day of the week whose timer setting is complete, will light.

Press  button again to turn the weekly timer OFF. (  goes out.)


#### NOTE:


The saved settings will not be cleared when the weekly timer is turned OFF.

## 2. Checking weekly timer setting

(1) Press  button to enter the weekly timer setting mode.

\* blinks.

(2) Press  or  buttons to view the setting of the particular day or number.

(3) Press  button to exit the weekly timer setting.

## 10-9. i-save (iS) OPERATION

### 1. How to set i-save operation

- (1) Press OFF/ON (stop/operate) button.
- (2) Select COOL or HEAT mode.
- (3) Press i-save button.
- (4) Set the temperature, fan speed, airflow direction, and 2 FLOW/1 FLOW for i-save operation.

#### NOTE:

- i-save operation cannot be selected during DRY, FAN or AUTO mode operation.
- The setting range of HEAT mode i-save operation is 10°C and 16 - 31°C.
- 2 groups of setting can be saved. (One for COOL, one for HEAT)
- i-save operation and the weekly timer operation cannot be used together.

### 2. How to cancel operation

- Press i-save button again.
  - i-save operation can also be cancelled by pressing Operation select button to change the operation mode.
- The preferred setting can be saved for the next time with a single press of i-save button.

## 10-10. EMERGENCY/TEST OPERATION

In the case of test run operation or emergency operation, use the emergency operation switch on the right side of the indoor unit. Emergency operation is available when the remote controller is missing or has failed, or when the batteries in the remote controller are running down. The unit will start and OPERATION INDICATOR lamp will light up.

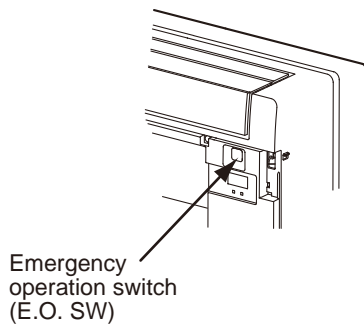
The first 30 minutes of operation is the test run operation. This operation is for servicing. The indoor fan runs at High speed and the temperature control does not work. In COOL MODE, the air outlet selection is set to 2 FLOW during the test run operation.

After 30 minutes of test run operation, the system shifts to EMERGENCY COOL/HEAT MODE with a set temperature of 24°C. The fan speed shifts to Med. The coil frost prevention works even in the test run or the emergency operation.

In the test run or emergency operation, the horizontal vane operates in VANE AUTO (@) mode.

Emergency operation continues until the emergency operation switch is pressed once or twice or the unit receives any signal from the remote controller. In the latter case, normal operation will start.

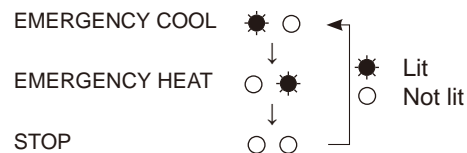
**NOTE:** Do not press the emergency operation switch during normal operation.



|                 |           |
|-----------------|-----------|
| Operation mode  | COOL/HEAT |
| Set temperature | 24°C      |
| Fan speed       | Med.      |
| Horizontal vane | Auto      |
| Air outlet      | 2 FLOW    |

The operation mode is indicated by the Operation Indicator lamp as following

### Operation Indicator lamp



## 10-11. 3-MINUTE TIME DELAY OPERATION

When the system turns OFF, compressor will not restart for 3 minutes as 3-minute time delay function operates to protect compressor from overload.

## MFZ-KT25VG MFZ-KT35VG MFZ-KT50VG MFZ-KT60VG

### 11-1. CAUTIONS ON TROUBLESHOOTING

#### 1. Before troubleshooting, check the following

- 1) Check the power supply voltage.
- 2) Check the indoor/outdoor connecting wire for miswiring.

#### 2. Take care of the following during servicing

- 1) Before servicing the air conditioner, be sure to turn OFF the main unit first with the remote controller, and then after confirming the horizontal vane is closed, turn OFF the breaker.
- 2) Be sure to turn OFF the power supply before removing the front panel, the cabinet, the top panel, and the P.C. board.
- 3) When removing the P.C. board, hold the edge of the board with care NOT to apply stress on the components.
- 4) When connecting or disconnecting the connectors, hold the connector housing. DO NOT pull the lead wires.

<Incorrect>



Lead wiring

<Correct>



Connector housing

#### 3. Troubleshooting procedure

- 1) Check if the OPERATION INDICATOR lamp on the indoor unit is blinking ON and OFF to indicate an abnormality. To make sure, check how many times the OPERATION INDICATOR lamp is blinking ON and OFF before starting service work.
- 2) Before servicing, verify that all connectors and terminals are connected properly.
- 3) When the electronic control P.C. board seems to be defective, check for disconnection of the copper foil pattern and burnt or discolored components.
- 4) When troubleshooting, Refer to 11-2, 11-3 and 11-4.

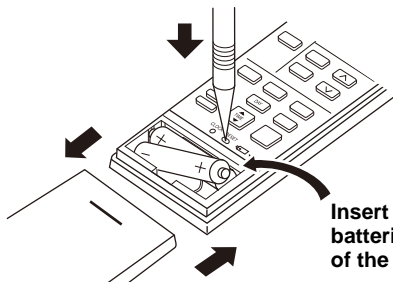
#### 4. How to replace batteries

Weak batteries may cause the remote controller malfunction.

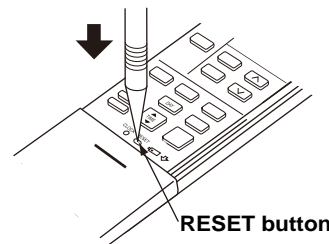
In this case, replace the batteries to operate the remote controller normally.

- ① Remove the front lid and insert batteries. Then reattach the front lid.

- ② Press RESET button with a fine-tipped object, and then use the remote controller.



Insert the negative pole of the batteries first. Check if the polarity of the batteries is correct.



RESET button

- NOTE:**
1. If RESET button is not pressed, the remote controller may not operate correctly.
  2. This remote controller has a circuit to automatically reset the microprocessor when batteries are replaced. This function is equipped to prevent the microprocessor from malfunctioning due to the voltage drop caused by the battery replacement.
  3. Do not use the leaking batteries.

#### 5. Description of multi system air conditioner

**INDOOR UNIT: MFZ-KT-VG OUTDOOR UNIT: MXZ series**

The multi system outdoor unit can be connected to 2 or more indoor units.

- The units do not operate and the operation indicator lamp blinks as shown in the figure below when the total capacity of the indoor units exceeds the capacity of the outdoor unit. Do not connect the indoor units beyond the outdoor unit capacity.
- When operating the 2 or more indoor units connected to a multi system outdoor unit, set all the indoor units to the same operation mode. If the COOL and the HEAT modes are selected for those indoor units, the indoor unit which has started operation first has a priority. The other indoor units set to the different operation mode later do not start operation and the operation indicator lamp blinks as shown in the figure below.

OPERATION INDICATOR



Lit (Green)



Blinking (Green)



Not lit

- When the indoor units start operation while the defrosting of the outdoor unit is being performed, it takes a few minutes (up to 10 minutes) to blow out warm air.
- In HEAT operation, even though the indoor unit is not running, the room may get warm or the sound of refrigerant flowing may be heard. This is not a malfunction. They happen because the refrigerant is continuously flowing inside the unit.

## 11-2. FAILURE MODE RECALL FUNCTION

### Outline of the function

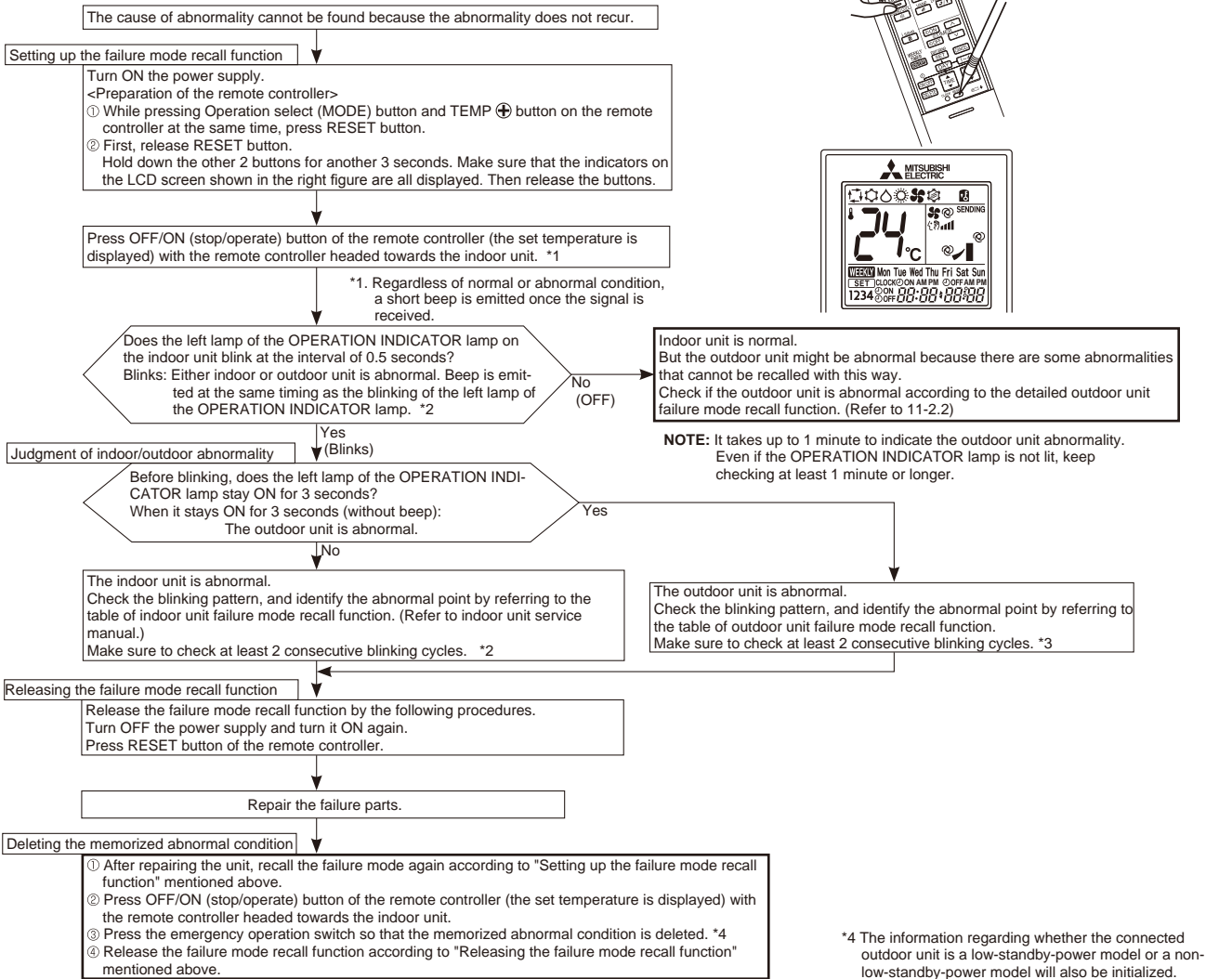
This air conditioner can memorize the abnormal condition which has occurred once.

Even though OPERATION INDICATOR lamp indication listed on the troubleshooting check table (11-4.) disappears, the memorized failure details can be recalled.

This mode is very useful when the unit needs to be repaired for the abnormality which does not recur.

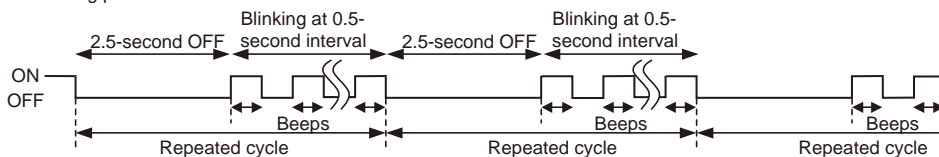
### 1. Flow chart of failure mode recall function for the indoor/outdoor unit

#### Operational procedure

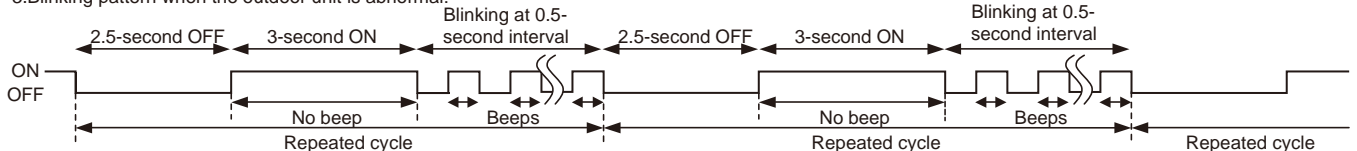


**NOTE:** 1. Make sure to release the failure mode recall function after it is set up, otherwise the unit cannot operate properly.  
 2. If the abnormal condition is not deleted from the memory, the last abnormal condition is kept memorized.

\*2. Blinking pattern when the indoor unit is abnormal:



\*3. Blinking pattern when the outdoor unit is abnormal:

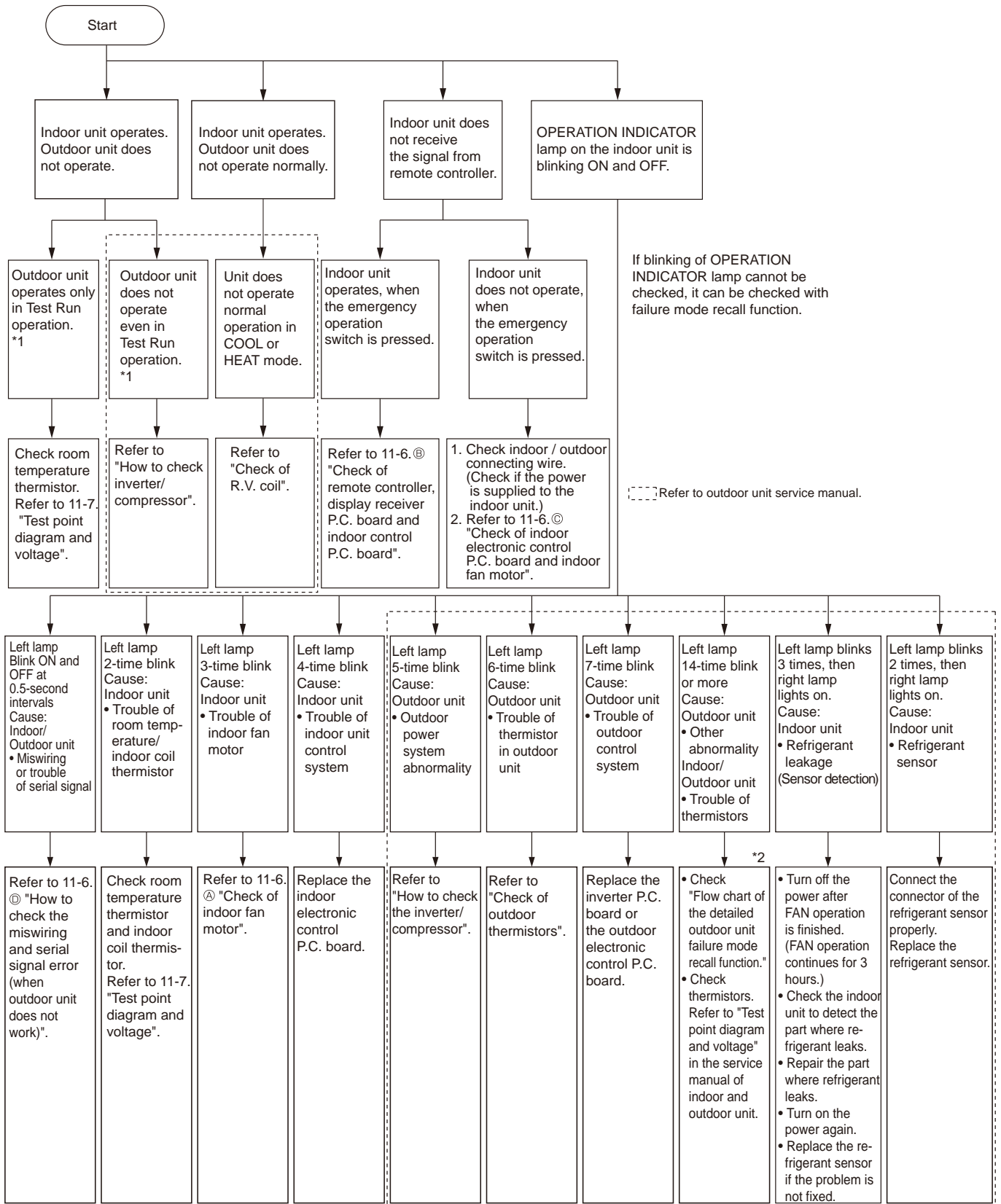


## 2. Table of indoor unit failure mode recall function

**NOTE:** Blinking patterns of this mode differs from the ones of Troubleshooting check table (10-4.).

| Left lamp of OPERATION INDICATOR lamp | Right lamp of OPERATION INDICATOR lamp | Abnormal point (Failure mode)              | Condition                                                                                           | Remedy                                                                                                              |
|---------------------------------------|----------------------------------------|--------------------------------------------|-----------------------------------------------------------------------------------------------------|---------------------------------------------------------------------------------------------------------------------|
| Not lit                               | Not lit                                | Normal                                     | –                                                                                                   | –                                                                                                                   |
| 1-time blink every 0.5-second         | Not lit                                | Room temperature thermistor                | The room temperature thermistor short or open circuit is detected every 8 seconds during operation. | Refer to the characteristics of the room temperature thermistor (11-7.).                                            |
| 2-time blink 2.5-second OFF           | Not lit                                | Indoor coil thermistor (Main 1, 2 and sub) | The indoor coil thermistor short or open circuit is detected every 8 seconds during operation.      | Refer to the characteristic of the main indoor coil thermistors 1 and 2 and the sub indoor coil thermistor (11-7.). |
| 3-time blink 2.5-second OFF           | Not lit                                | Serial signal error                        | The serial signal from the outdoor unit is not received for a maximum of 6 minutes.                 | Refer to 11-6. ⑥ "How to check miswiring and serial signal error".                                                  |
| 11-time blink 2.5-second OFF          | Not lit                                | Indoor fan motor (Upper)                   | The rotational frequency feedback signal is not emitted during 12-second the indoor fan operation.  | Refer to 11-6 ⑥ "Check of indoor fan motor.                                                                         |
| 12-time blink 2.5-second OFF          | Not lit                                | Indoor control system                      | It cannot properly read data in the nonvolatile memory of the indoor electronic control P.C. board. | Replace the indoor electronic control P.C. board.                                                                   |
| 13-time blink 2.5-second OFF          | Not lit                                | Indoor coil thermistor (Main 3)            | The indoor coil thermistor short or open circuit is detected every 8 seconds during operation.      | Refer to the characteristic of the main indoor coil thermistor 3 (11-7.).                                           |

### 11-3. INSTRUCTION OF TROUBLESHOOTING



\*1 "Test Run operation" means the operation within 30 minutes after the emergency operation switch is pressed.

\*2 There is possibility that diesel explosion may occur due to the air mixed in the refrigerant circuit.

First, ensure that there are no leakage points on the valves, flare connections, etc. that allow the air to flow into the refrigerant circuit, or no blockage points (e.g. clogged or closed valves) in the refrigerant circuit that cause an increase in pressure.

If there is no abnormal point like above and the system operates cooling and heating modes normally, the indoor thermistor might have a problem, resulting in false detection.

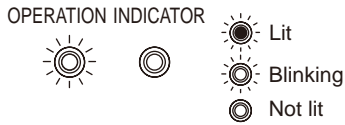
Check both the indoor coil thermistor and the room temperature thermistor, and replace faulty thermistor(s), if any.

**NOTE:** Do not start the operation again without repair to prevent hazards.

## 11-4. TROUBLESHOOTING CHECK TABLE

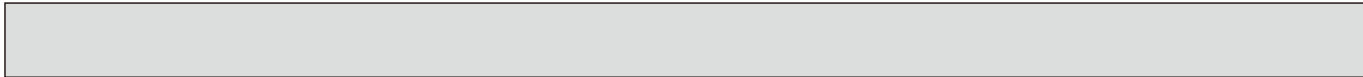
Before taking measures, make sure that the symptom reappears for accurate troubleshooting.

When the indoor unit has started operation and detected an abnormality of the following condition (the first detection after the power ON), the indoor fan motor turns OFF and OPERATION INDICATOR lamp blinks.



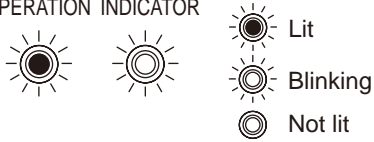
| No. | Abnormal point                                        | Operation indicator lamp                                                                                                                    | Symptom                                                                                                                                                                               | Condition                                                                                                                                                                                                                                                                                                                                                                                                                                                                                                                                      | Remedy                                                                                                                                                                                                                                                                                                                                                                                                                                                            |
|-----|-------------------------------------------------------|---------------------------------------------------------------------------------------------------------------------------------------------|---------------------------------------------------------------------------------------------------------------------------------------------------------------------------------------|------------------------------------------------------------------------------------------------------------------------------------------------------------------------------------------------------------------------------------------------------------------------------------------------------------------------------------------------------------------------------------------------------------------------------------------------------------------------------------------------------------------------------------------------|-------------------------------------------------------------------------------------------------------------------------------------------------------------------------------------------------------------------------------------------------------------------------------------------------------------------------------------------------------------------------------------------------------------------------------------------------------------------|
| 1   | Miswiring or serial signal                            | Left lamp blinks.<br>0.5-second ON<br>●○●○●○●○<br>0.5-second OFF                                                                            | Indoor unit and outdoor unit do not operate.                                                                                                                                          | The serial signal from the outdoor unit is not received for a maximum of 6 minutes. The indoor unit is connected to a low-standby-power model after once connected to a non-low-standby-power model.                                                                                                                                                                                                                                                                                                                                           | <ul style="list-style-type: none"> <li>Refer to 11-6.⑥"How to check miswiring and serial signal error".</li> <li>Refer to <b>NOTE</b>.</li> </ul>                                                                                                                                                                                                                                                                                                                 |
| 2   | Indoor coil thermistor<br>Room temperature thermistor | Left lamp blinks.<br>2-time blink<br>●●○○○○○○●●○○○○<br>2.5-second OFF                                                                       | Indoor unit and outdoor unit do not operate.                                                                                                                                          | The indoor coil or the room temperature thermistor is short or open circuit.                                                                                                                                                                                                                                                                                                                                                                                                                                                                   | <ul style="list-style-type: none"> <li>Refer to the characteristics of indoor coil thermistor, and the room temperature thermistor on 11-7.</li> </ul>                                                                                                                                                                                                                                                                                                            |
| 3   | Indoor fan motor                                      | Left lamp blinks.<br>3-time blink<br>●●●○○○○○○●●●○○○○<br>2.5-second OFF                                                                     | Indoor unit and outdoor unit do not operate.                                                                                                                                          | The rotational frequency feedback signal is not emitted during the indoor fan operation.                                                                                                                                                                                                                                                                                                                                                                                                                                                       | <ul style="list-style-type: none"> <li>Refer to 11-6.④"Check of indoor fan motor".</li> </ul>                                                                                                                                                                                                                                                                                                                                                                     |
| 4   | Indoor control system                                 | Left lamp blinks.<br>4-time blink<br>●●●●○○○○○○●●●●○○○○<br>2.5-second OFF                                                                   | Indoor unit and outdoor unit do not operate.                                                                                                                                          | It cannot properly read data in the nonvolatile memory of the indoor electronic control P.C. board.                                                                                                                                                                                                                                                                                                                                                                                                                                            | <ul style="list-style-type: none"> <li>Replace the indoor electronic control P.C. board.</li> </ul>                                                                                                                                                                                                                                                                                                                                                               |
| 5   | Outdoor power system                                  | Left lamp blinks.<br>5-time blink<br>●●●●●○○○○○○●●●●●○○○○<br>2.5-second OFF                                                                 | Indoor unit and outdoor unit do not operate.                                                                                                                                          | It consecutively occurs 3 times that the compressor stops for overcurrent protection or startup failure protection within 1 minute after startup.                                                                                                                                                                                                                                                                                                                                                                                              | <ul style="list-style-type: none"> <li>Refer to "Check of inverter/compressor".</li> <li>Refer to the outdoor unit service manual.</li> <li>Check the stop valve.</li> </ul>                                                                                                                                                                                                                                                                                      |
| 6   | Outdoor thermistors                                   | Left lamp blinks.<br>6-time blink<br>●●●●●●○○○○○○●●●●●○○○○<br>2.5-second OFF                                                                | Indoor unit and outdoor unit do not operate.                                                                                                                                          | The outdoor thermistors short or open circuit during the compressor operation.                                                                                                                                                                                                                                                                                                                                                                                                                                                                 | <ul style="list-style-type: none"> <li>Refer to "Check of outdoor thermistor".</li> <li>Refer to the outdoor unit service manual.</li> </ul>                                                                                                                                                                                                                                                                                                                      |
| 7   | Outdoor control system                                | Left lamp blinks.<br>7-time blink<br>●●●●●●●○○○○○○●●●●●○○○○<br>2.5-second OFF                                                               | Indoor unit and outdoor unit do not operate.                                                                                                                                          | It cannot properly read data in the nonvolatile memory of the inverter P.C. board or the outdoor electronic control P.C. board.                                                                                                                                                                                                                                                                                                                                                                                                                | <ul style="list-style-type: none"> <li>Replace the inverter P.C. board or the outdoor electronic control P.C. board.</li> <li>Refer to the outdoor unit service manual.</li> </ul>                                                                                                                                                                                                                                                                                |
| 8   | Other abnormality *2 on 11-3.                         | Left lamp blinks.<br>14-time blink or more<br>●●●●●●●●●●●●●●●●●●●●●●●●●●●●<br>2.5-second OFF                                                | Indoor unit and outdoor unit do not operate.                                                                                                                                          | An abnormality other than above mentioned is detected.<br>An abnormality of the indoor thermistors, the defrost thermistor or ambient temperature thermistor is detected.                                                                                                                                                                                                                                                                                                                                                                      | <ul style="list-style-type: none"> <li>Check the stop valve.</li> <li>Check the 4-way valve.</li> <li>Check the abnormality in detail using the failure mode recall function.</li> <li>Refer to the outdoor unit service manual.</li> <li>Refer to "TEST POINT DIAGRAM AND VOLTAGE" on the service manual of indoor and outdoor unit for the characteristics of the thermistors. (Do not start the operation again without repair to prevent hazards.)</li> </ul> |
| 9   | Outdoor control system                                | Left lamp lights up ●                                                                                                                       | Outdoor unit does not operate.                                                                                                                                                        | It cannot properly read data in the nonvolatile memory of the inverter P.C. board or the outdoor electronic control P.C. board.                                                                                                                                                                                                                                                                                                                                                                                                                | <ul style="list-style-type: none"> <li>Check the blinking pattern of the LED on the inverter P.C. board or the outdoor electronic control P.C. board.</li> </ul>                                                                                                                                                                                                                                                                                                  |
| 10  | Refrigerant leakage (Sensor detection)                | Left lamp blinks 3 times, then right lamp lights on.<br>Left lamp ●●●○○○○○○●<br>3.0-second OFF<br>Right lamp ○○○○○●●●●●●●●<br>3.0-second ON | <ul style="list-style-type: none"> <li>FAN operation starts, and the air blows upward from the horizontal vane.</li> <li>It cannot be controlled by the remote controller.</li> </ul> | <ul style="list-style-type: none"> <li>① Refrigerant leaks from the piping or the heat exchanger in the indoor unit.</li> <li>② The following items are used around the indoor unit.                             <ul style="list-style-type: none"> <li>Spray (LP gas including Freon, and whose main ingredient is propane and butane)</li> <li>Aerosol insecticide (including ethanol)</li> <li>Air spray painting (including dichloromethane)</li> <li>Charcoal (charcoal fire)</li> <li>Chemicals (such as ethanol)</li> </ul> </li> </ul> | <ul style="list-style-type: none"> <li>Turn off the power after FAN operation is finished. (FAN operation continues for 3 hours.)</li> <li>Check the indoor unit to detect the part where refrigerant leaks.</li> <li>Repair the part where refrigerant leaks.</li> <li>Turn on the power again.</li> <li>Replace the refrigerant sensor if the problem is not fixed.</li> </ul>                                                                                  |
| 11  | Refrigerant sensor                                    | Left lamp blinks 2 times, then right lamp lights on.<br>Left lamp ●●○○○○○○○○●<br>3.0-second OFF<br>Right lamp ○○○●●●●●●●○○<br>3.0-second ON | <ul style="list-style-type: none"> <li>Indoor unit and outdoor unit do not operate.</li> </ul>                                                                                        | The refrigerant sensor mounted on the indoor unit does not work .<br>The refrigerant sensor is not connected properly or the wire is broken.                                                                                                                                                                                                                                                                                                                                                                                                   | <ul style="list-style-type: none"> <li>Connect the connector of the refrigerant sensor properly.</li> <li>Replace the refrigerant sensor.</li> </ul>                                                                                                                                                                                                                                                                                                              |





**NOTE:** The indoor unit may have been connected to a non-low-standby-power model outdoor unit. To use a low-standby-power model, clear the error history by referring to “Deleting the memorized abnormal condition” described in 11-2.1. When the error history is being cleared, the connection information also will be initialized. The indoor unit will be compatible with a low-standby-power model after initialization. If the operation indicator lamp continues to blink as shown in No.1 after the procedure, refer to 11-6. © “How to check miswiring and serial error”.

OPERATION INDICATOR



| No. | Abnormal point                            | Operation indicator lamp       | Symptom                                                 | Condition                                                                                                                                                                                            | Remedy                                                                                                                                        |
|-----|-------------------------------------------|--------------------------------|---------------------------------------------------------|------------------------------------------------------------------------------------------------------------------------------------------------------------------------------------------------------|-----------------------------------------------------------------------------------------------------------------------------------------------|
| 1   | <b>MXZ type</b><br>Operation mode setting | <p><b>Right lamp blink</b></p> | Outdoor unit operates but indoor unit does not operate. | When the operation mode of the each indoor unit is differently set to COOL (includes DRY) and HEAT at the same time, the operation mode of the indoor unit that has operated first has the priority. | <ul style="list-style-type: none"> <li>Select the same operation mode for all the units. Refer to the outdoor unit service manual.</li> </ul> |

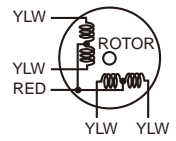
**11-5. TROUBLESHOOTING CRITERION OF MAIN PARTS**  
**MFZ-KT25VG MFZ-KT35VG MFZ-KT50VG MFZ-KT60VG**

| Part name                                                                                                             | Check method and criteria                                                                                                                                      | Figure |
|-----------------------------------------------------------------------------------------------------------------------|----------------------------------------------------------------------------------------------------------------------------------------------------------------|--------|
| Room temperature thermistor (RT11)<br>Indoor coil thermistor (RT12 (MAIN 1), RT13 (SUB) RT14 (MAIN 2), RT15 (MAIN 3)) | Measure the resistance with a tester.<br>Refer to 11-7. "Test point diagram and voltage", "Indoor electronic control P.C. board", for the chart of thermistor. |        |
| Indoor fan motor (MF)                                                                                                 | Check 11-6. Ⓐ “Check of indoor fan motor” and © “Check of indoor electronic control P.C. board and indoor fan motor”.                                          |        |
| Horizontal vane motor (MV1) FRONT                                                                                     | Measure the resistance between the terminals with a tester.<br>(Part temperature: 10°C ~ 30°C)                                                                 |        |
| Horizontal vane motor (MV2) BACK                                                                                      | Measure the resistance between the terminals with a tester.<br>(Part temperature: 10°C ~ 30°C)                                                                 |        |
| Multi-flow vane motor (MV3)                                                                                           | Measure the resistance between the terminals with a tester.<br>(Part temperature: 10°C ~ 30°C)                                                                 |        |

|                        |               |
|------------------------|---------------|
| Color of the lead wire | Normal        |
| RED-YLW (250 Ω)        | 219 Ω ~ 273 Ω |

|                        |               |
|------------------------|---------------|
| Color of the lead wire | Normal        |
| RED-YLW (250 Ω)        | 219 Ω ~ 273 Ω |

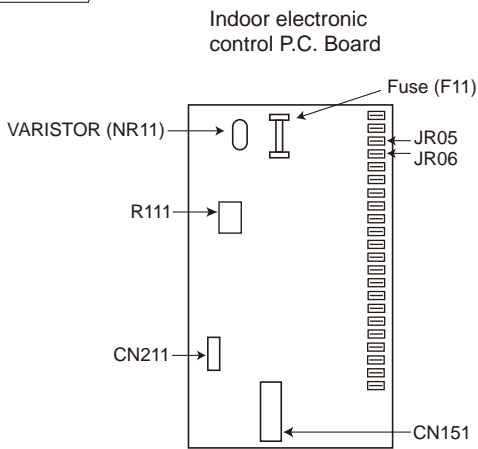
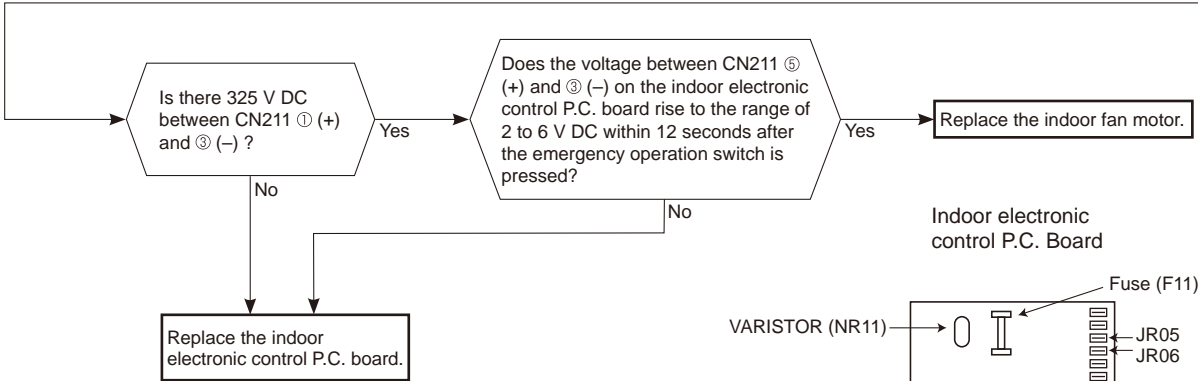
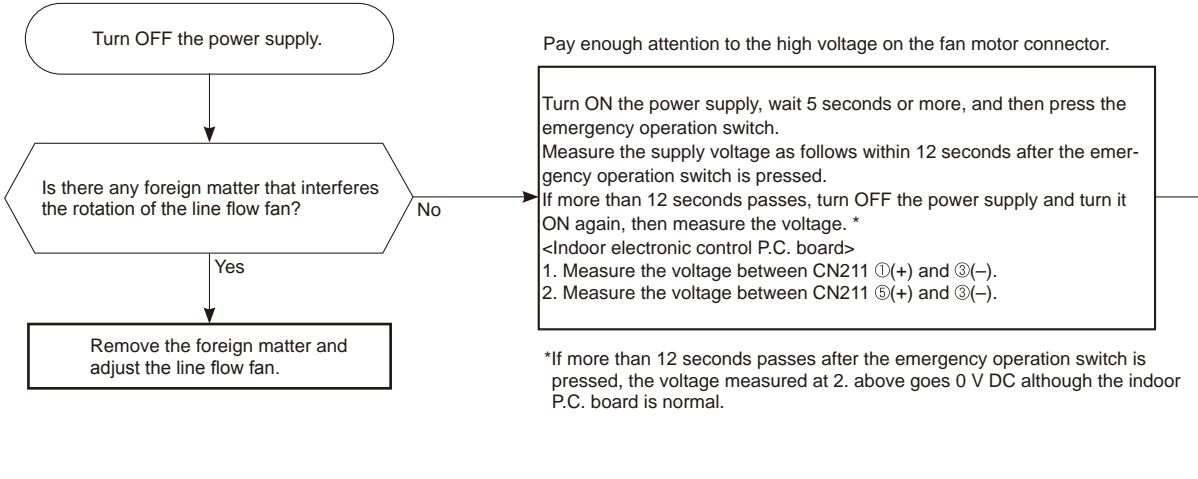
|                        |               |
|------------------------|---------------|
| Color of the lead wire | Normal        |
| RED-YLW (350 Ω)        | 306 Ω ~ 382 Ω |



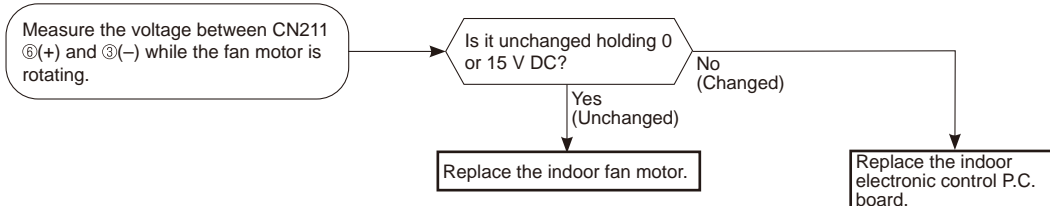
## 11-6. TROUBLESHOOTING FLOW

### A Check of indoor fan motor

The indoor fan motor error has occurred, and the indoor fan does not operate.

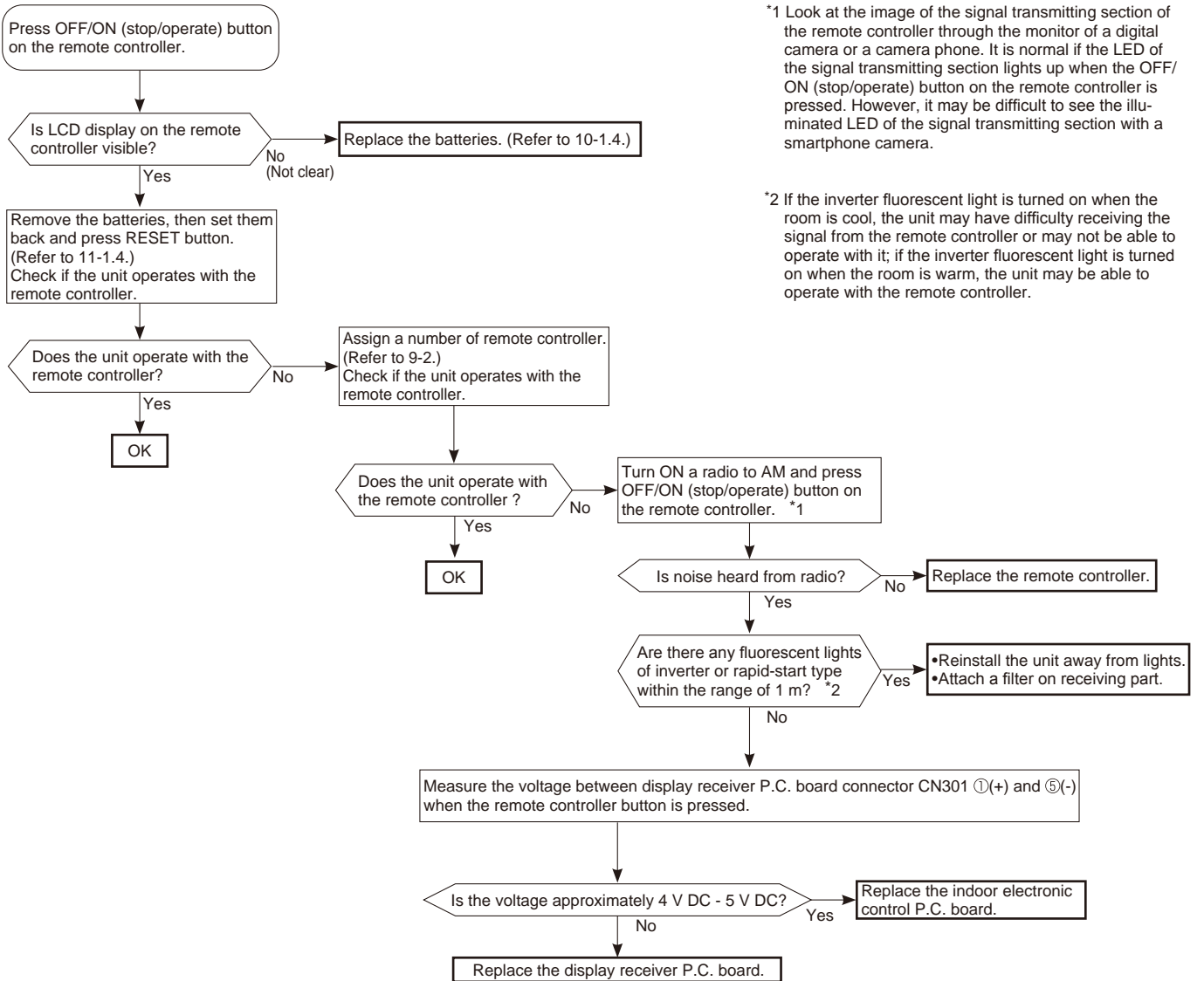


The indoor fan motor error has occurred, and the indoor fan repeats "12-second ON and 30-second OFF" 3 times, and then stops.

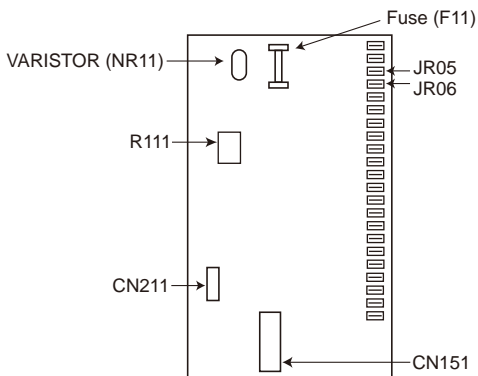
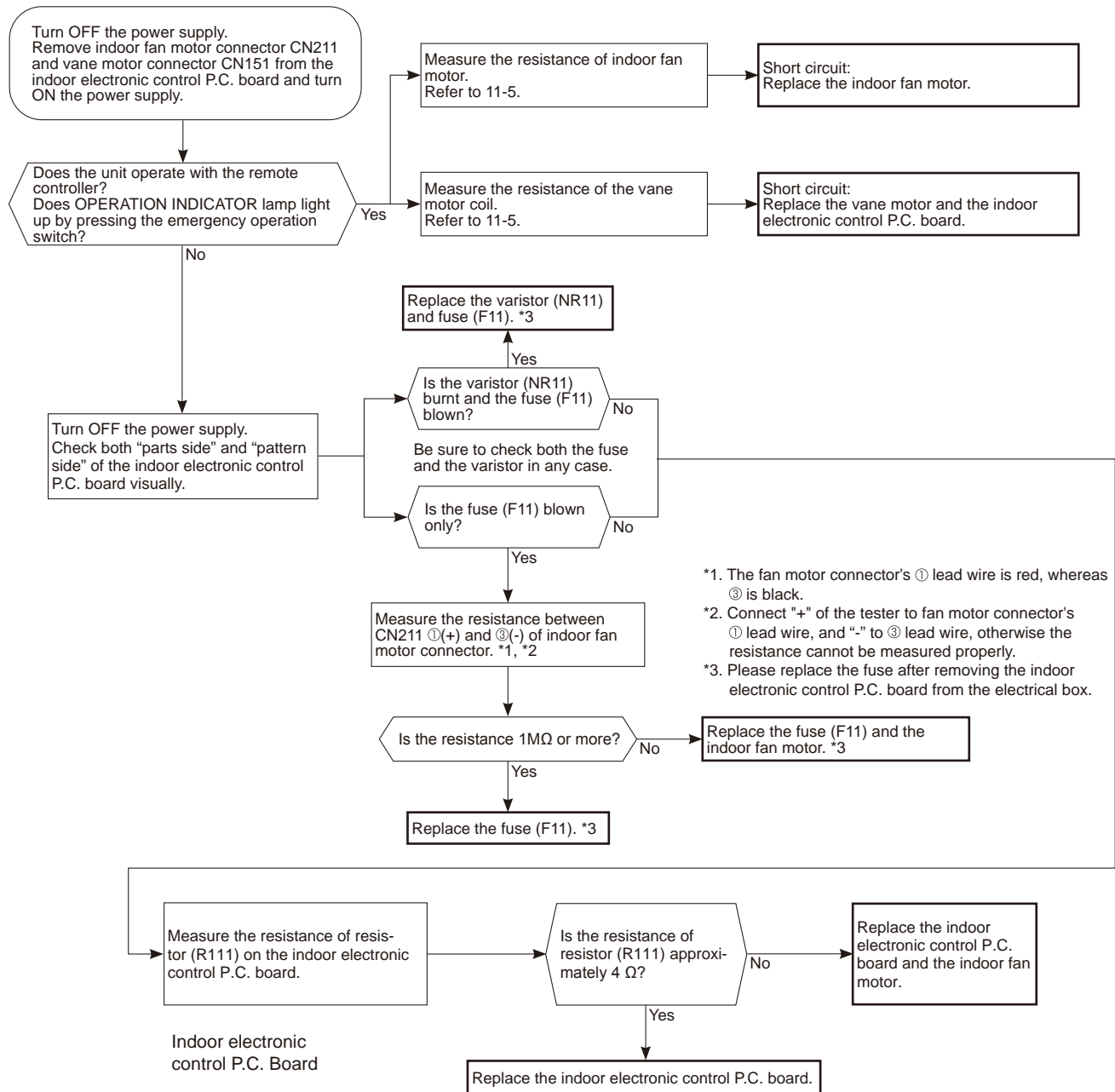


## B Check of remote controller, display receiver P.C. board and indoor control P.C. board

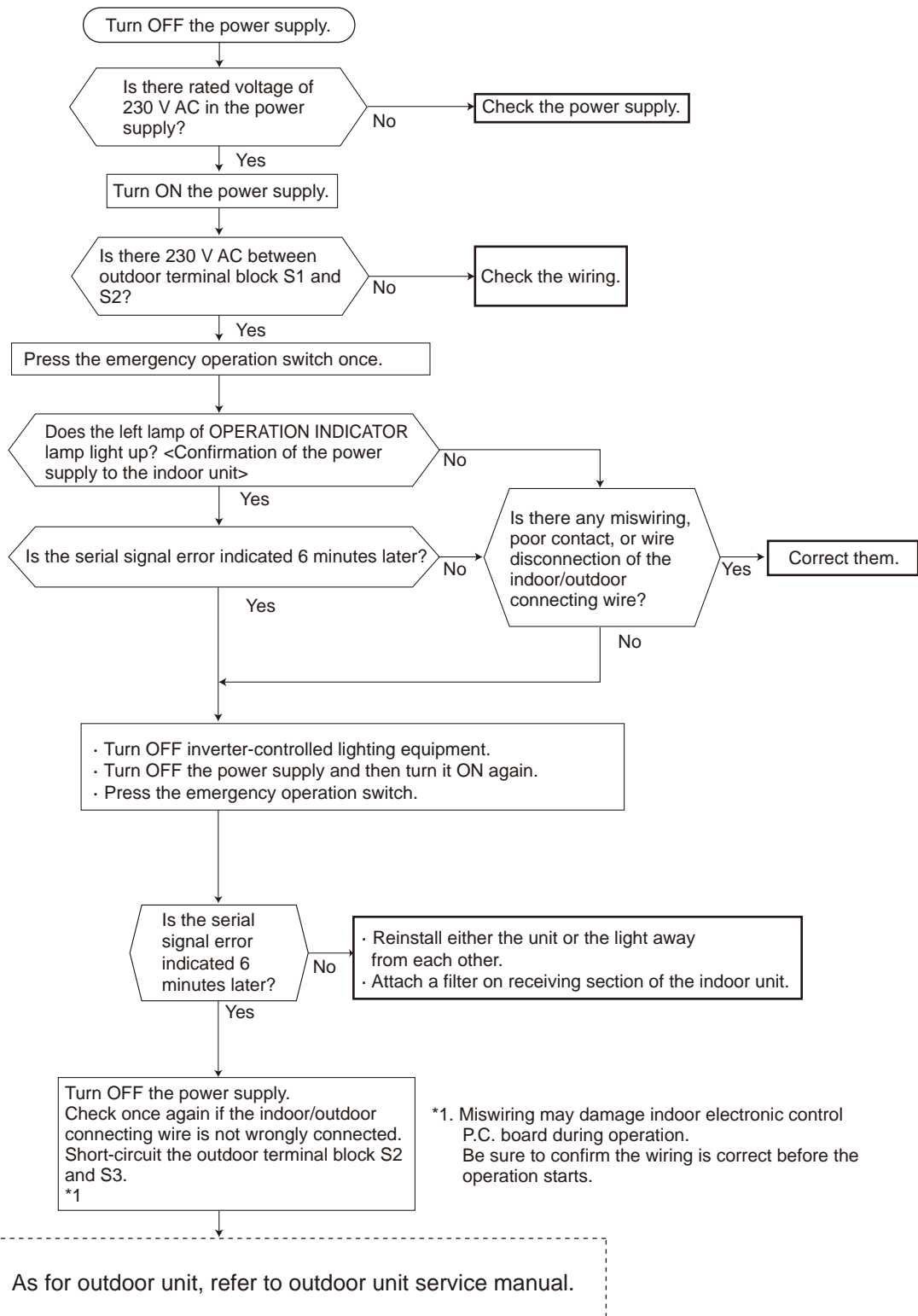
\*Check if the remote controller is exclusive for this air conditioner.



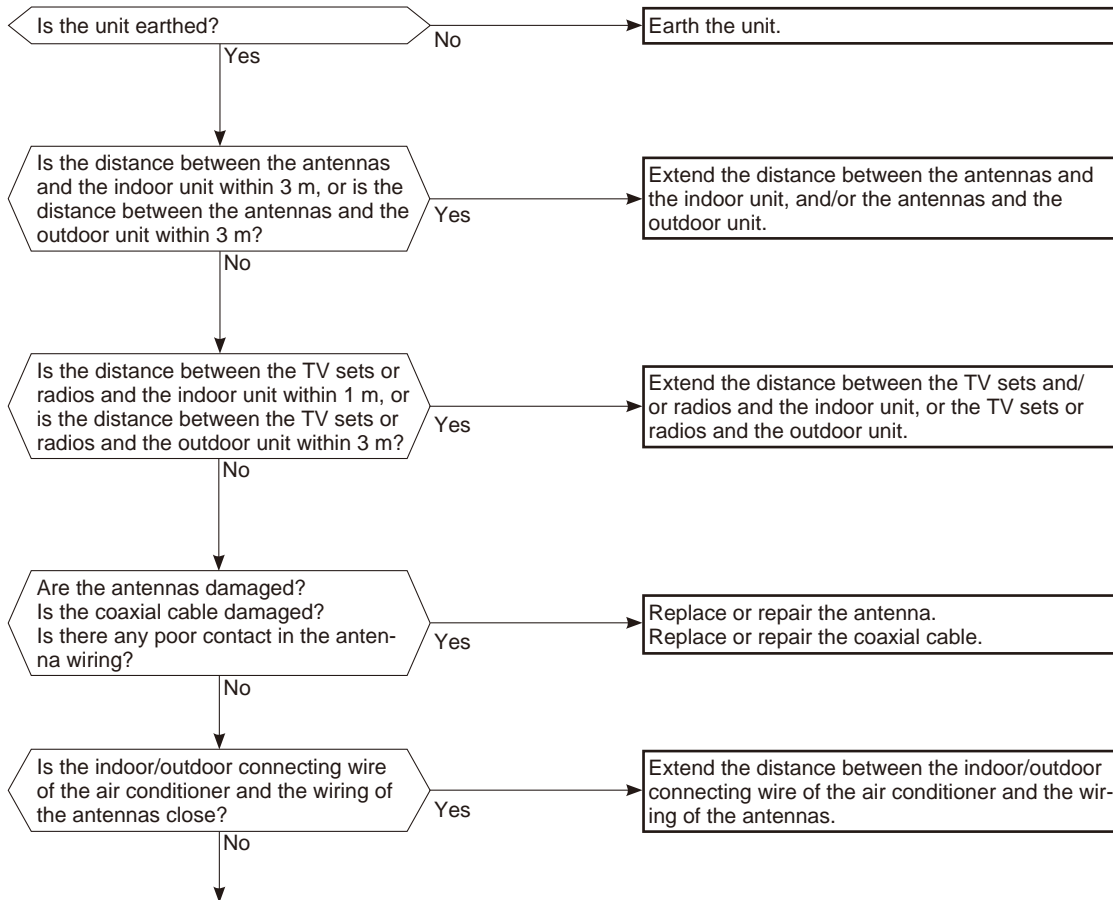
## © Check of indoor electronic control P.C. board and indoor fan motor



## D How to check miswiring and serial signal error



## E Electromagnetic noise enters into TV sets or radios

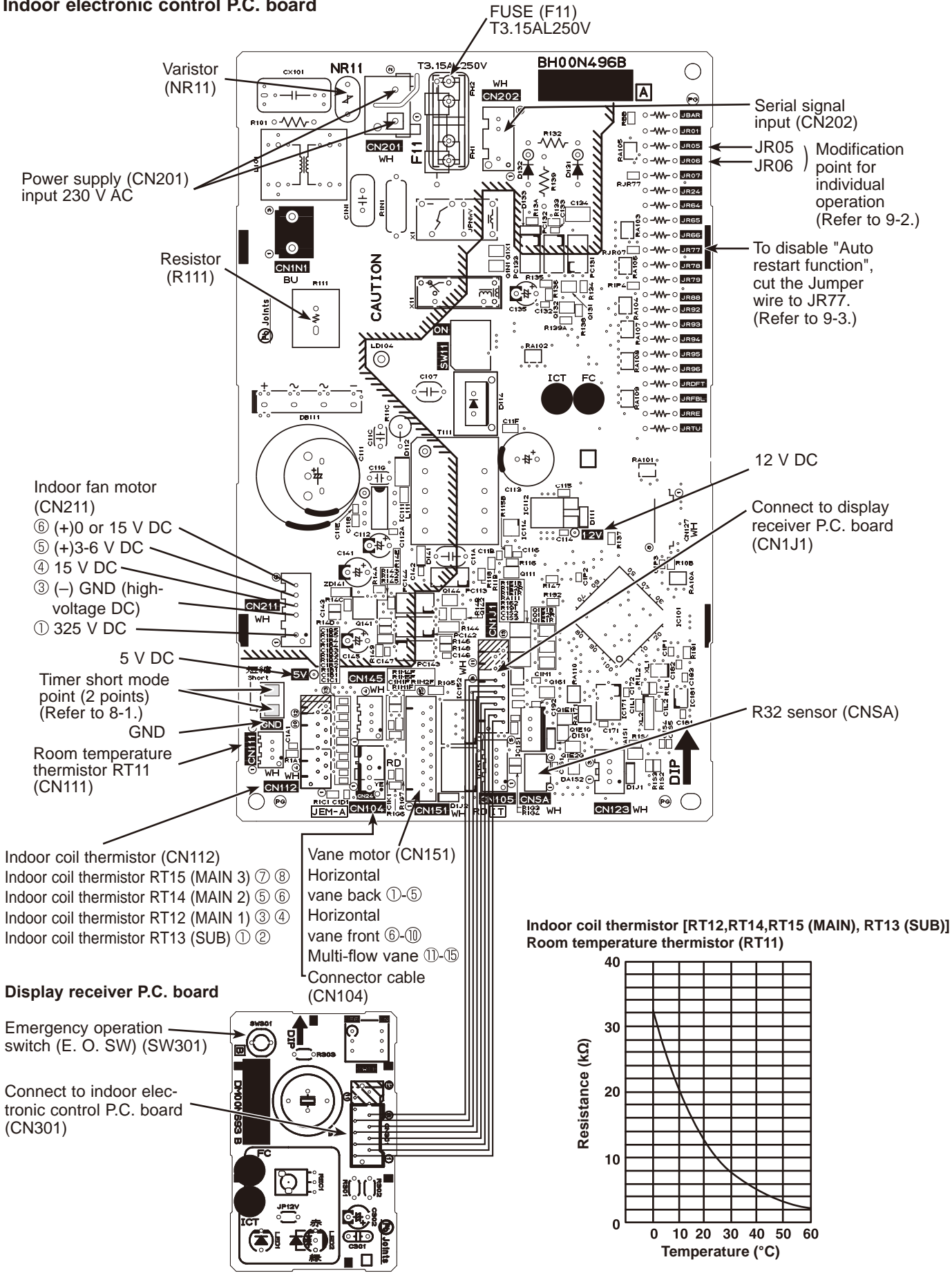


Even if all of the above conditions are fulfilled, the electromagnetic noise may enter, depending on the electric field strength or the installation condition (combination of specific conditions such as antennas or wiring).

Check the following before asking for service.

1. Devices affected by the electromagnetic noise  
TV sets, radios (FM/AM broadcast, shortwave)
2. Channel, frequency, broadcast station affected by the electromagnetic noise
3. Channel, frequency, broadcast station unaffected by the electromagnetic noise
4. Layout of:  
indoor/outdoor unit of the air conditioner, indoor/outdoor wiring, earth wire, antennas, wiring from antennas, receiver
5. Electric field intensity of the broadcast station affected by the electromagnetic noise
6. Presence or absence of amplifier such as booster
7. Operation condition of air conditioner when the electromagnetic noise enters in
  - 1) Turn OFF the power supply once, and then turn ON the power supply. In this situation, check for the electromagnetic noise.
  - 2) Within 3 minutes after turning ON the power supply, press OFF/ON (stop/operate) button on the remote controller for power ON, and check for the electromagnetic noise.
  - 3) After a short time (3 minutes later after turning ON), the outdoor unit starts running. During operation, check for the electromagnetic noise.
  - 4) Press OFF/ON (stop/operate) button on the remote controller for power OFF, when the outdoor unit stops but the indoor/outdoor communication still runs on. In this situation, check for the electromagnetic noise.

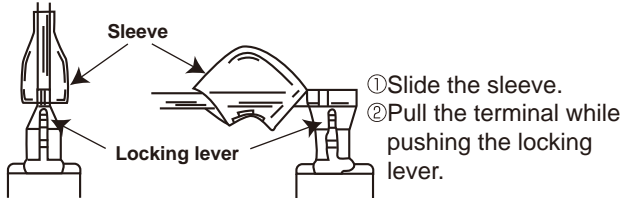
**11-7. TEST POINT DIAGRAM AND VOLTAGE**  
**MFZ-KT25VG MFZ-KT35VG MFZ-KT50VG MFZ-KT60VG**  
**Indoor electronic control P.C. board**



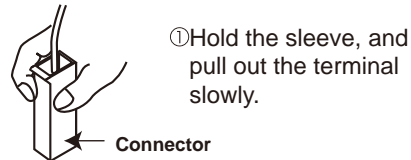
<Detaching method of the terminal with locking mechanism>

The terminal which has the locking mechanism can be detached as shown below.  
 There are 2 types of the terminal with locking mechanism.  
 The terminal without locking mechanism can be detached by pulling it out.  
 Check the shape of the terminal before detaching.

(1) Slide the sleeve and check if there is a locking lever or not.



(2) The terminal with the connector shown below locking mechanism.



**12-1. MFZ-KT25VG MFZ-KT35VG  
 MFZ-KT50VG MFZ-KT60VG**

**NOTE:** Turn OFF the power supply before disassembly.

→ : Indicates the visible parts in the photos/figures.  
 ---> : Indicates the invisible parts in the photos/figures.

| OPERATING PROCEDURE                                                                                                                                                                                                                                                                                                                                                                                                                                                                                                                                                                                                                                                                                                                                                                                                                                                                                                                                                                                                                                        | PHOTOS/FIGURES                                                                                                                                      |
|------------------------------------------------------------------------------------------------------------------------------------------------------------------------------------------------------------------------------------------------------------------------------------------------------------------------------------------------------------------------------------------------------------------------------------------------------------------------------------------------------------------------------------------------------------------------------------------------------------------------------------------------------------------------------------------------------------------------------------------------------------------------------------------------------------------------------------------------------------------------------------------------------------------------------------------------------------------------------------------------------------------------------------------------------------|-----------------------------------------------------------------------------------------------------------------------------------------------------|
| <p><b>1. Removing the panel</b></p> <p>(1) Push down the tabs on the both sides of the unit.<br/>                     (2) Open the front panel toward you and pull it out upwards.<br/>                     (3) Remove the screws of the panel.<br/>                     (4) Open the horizontal vane (back) and push the ▼ marks on the top of the panel, and pull the panel toward you.<br/>                     (5) Lift up the panel and remove it from the unit.</p>                                                                                                                                                                                                                                                                                                                                                                                                                                                                                                                                                                                  | <p><b>Photo 1</b></p> <p>Tabs of the unit</p> <p><b>Photo 2</b></p> <p>Push the ▼ marks.</p>                                                        |
| <p><b>2. Removing the electrical box</b></p> <p>(1) Remove the panel. (Refer to section 1.)<br/>                     (2) Remove the screw of the V.A. clamp cover and remove the V.A. clamp cover.<br/>                     (3) Remove the screw of the electrical cover and remove the electrical cover.<br/>                     (4) Remove the earth wire connected to the indoor heat exchanger. (Photo 4)<br/>                     (5) Remove the screw of the electrical box. (Photo 5)<br/>                     (6) Disconnect the following connectors on the electronic control P.C. board.<br/>                     • Fan motor connector &lt; CN211 &gt; (Photo 5)<br/>                     • Indoor coil thermistor connector &lt; CN112 &gt; (Photo 5)<br/>                     (7) Rotate the display receiver P.C. board holder to the right side and disconnect the vane motor relay connector. (Photo 6)<br/>                     (8) Disengage the electrical box from the upper catch and pull out the electrical box from the box.</p> | <p>Screw of the panel</p> <p>Screw of the panel</p> <p><b>Photo 3</b></p> <p>Screw of the electrical cover</p> <p>Screw of the V.A. clamp cover</p> |



## OPERATING PROCEDURE

### 3. Removing the electronic control P.C. board and the display receiver P.C. board

- (1) Remove the panel. (Refer to section 1.)
- (2) Remove the electrical box. (Refer to section 2.)
- (3) Remove the earth wire connected to the electronic control P.C. board.
- (4) Disconnect all the connectors on the electronic control P.C. board.
- (5) Pull out the electronic control P.C. board from the electrical box.
- (6) Disengage the catches on the lead guide.
- (7) Disengage the display receiver P.C. board holder from the catch on the electrical box.
- (8) Open the display receiver P.C. board holder and pull out the display receiver P.C. board.

#### \*Attaching the connectors

Run the lead wires with the connectors as they were before the disassembly.

### 4. Removing the nozzle assembly

- (1) Remove the panel. (Refer to section 1.)
- (2) Rotate the display receiver P.C. board holder to the right side and disconnect the vane motor relay connector.
- (3) Remove the fixed screws on the both sides of the nozzle.
- (4) Disengage the catches on the nozzle from the box.
- (5) Hold the both sides of the nozzle. Rotate the nozzle toward you around the right and left ribs to remove it.

Photo 7

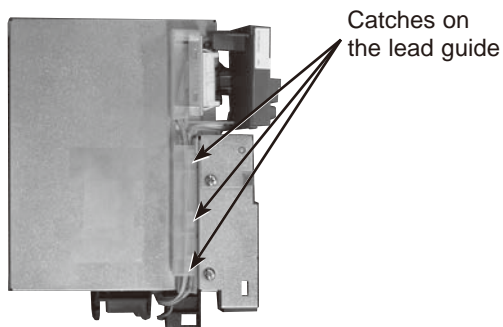
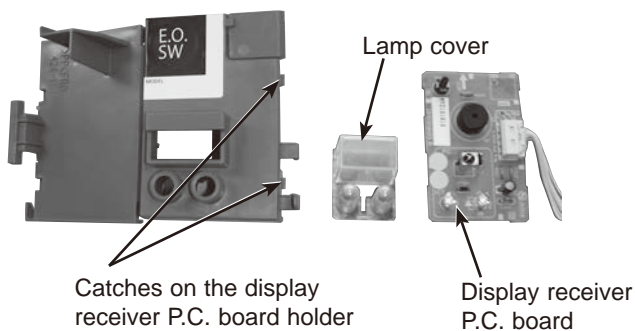


Photo 8



## PHOTOS/FIGURES

Photo 4

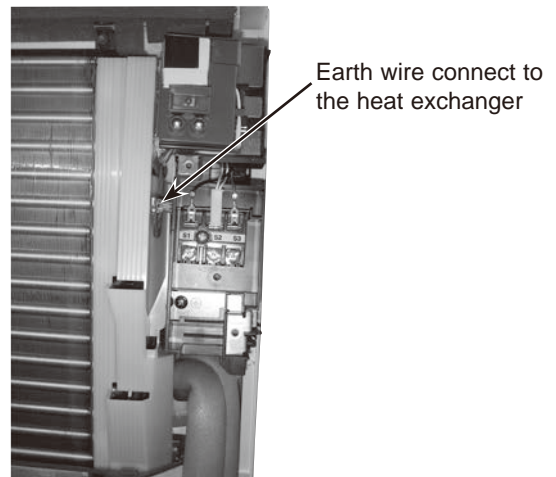


Photo 5

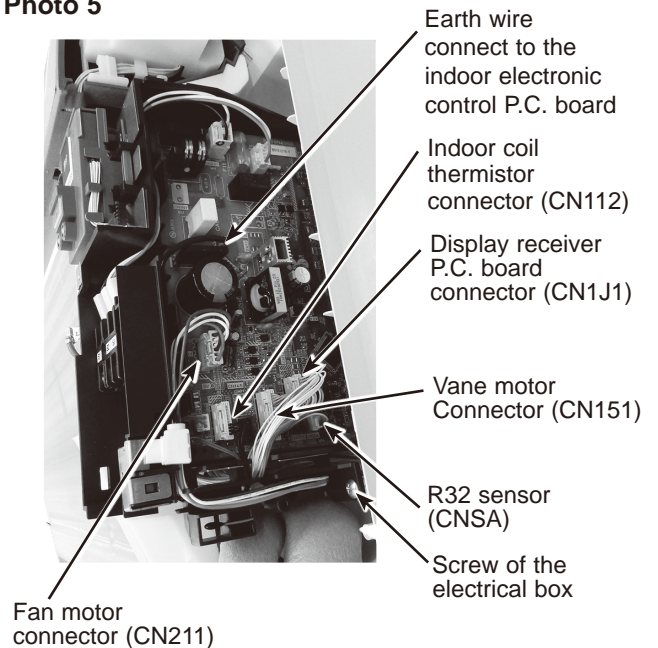
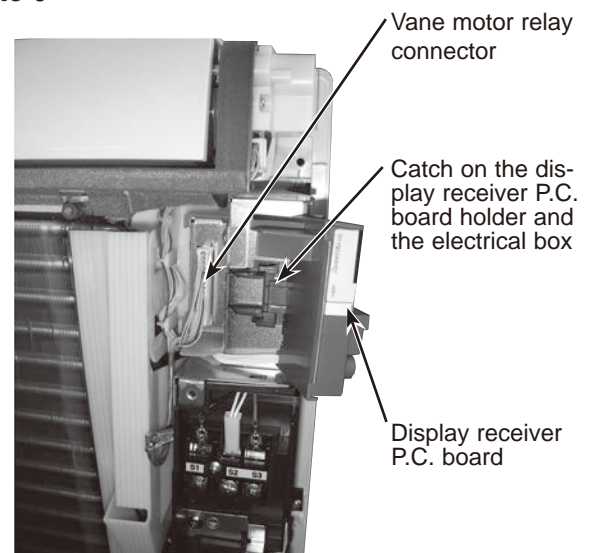
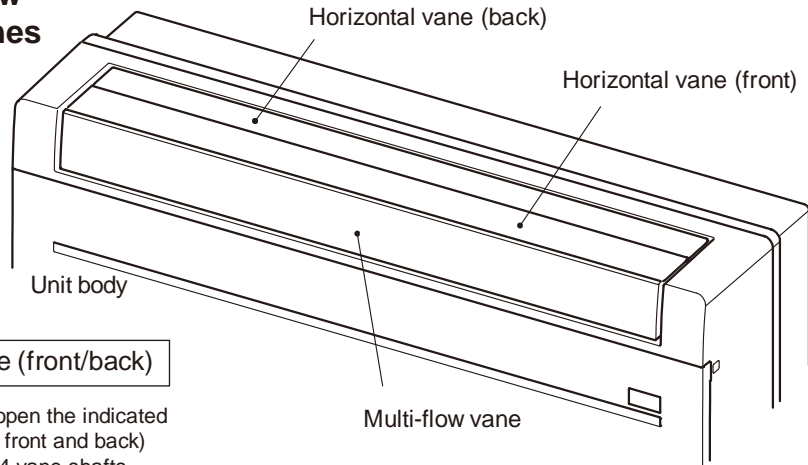


Photo 6

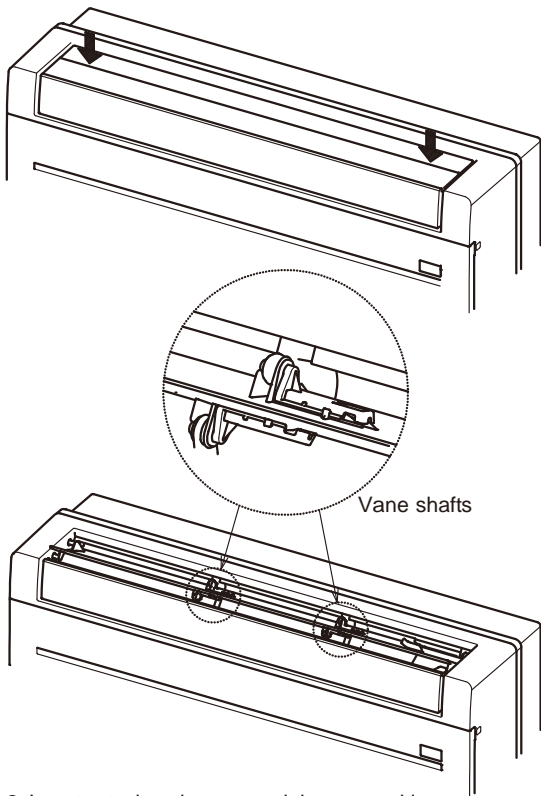


## How to remove the multi-flow vane and the horizontal vanes

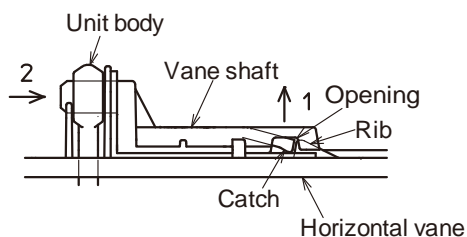


### (1) Removing the horizontal vane (front/back)

(1)-1. See the figure below and push to open the indicated places on the horizontal vanes (between front and back) with your fingers so that you can access 4 vane shafts positioned on the back of the horizontal vanes. (vane shafts on each horizontal vane)



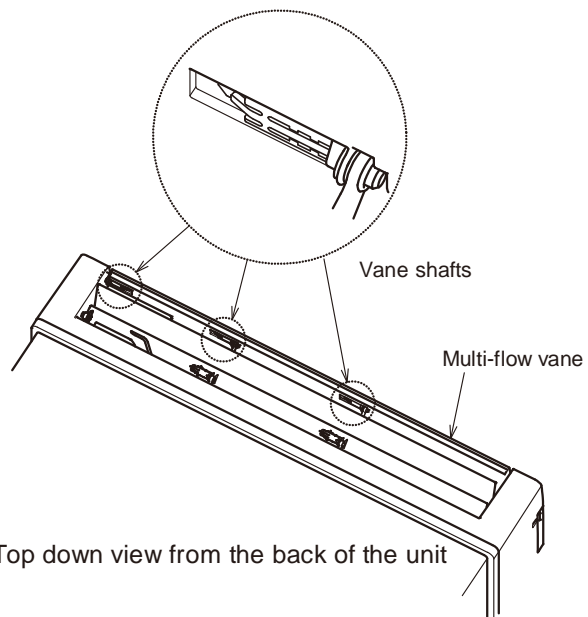
(1)-2. Insert a tool such as a precision screwdriver in the opening on the vane shaft and lift the catch of the vane shaft in arrow 1 direction to detach it from the rib on the horizontal vane. Slide the vane shaft in arrow 2 direction and separate it from the unit body.



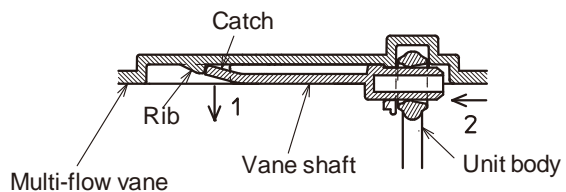
(1)-3. Remove the axial rods on the both ends of the horizontal vane from the unit body.

### (2) Removing the multi-flow vane

(2)-1. Open the horizontal vanes (front and back) by following (1)-1. Make sure that 3 vane shafts are on the back of the multi-flow vane.



(2)-2. Insert a tool such as a precision screwdriver in the gap between multi-flow vane and the vane shaft and lift the catch of the vane shaft in the arrow 1 direction to detach it from the rib on the multi-flow vane. Slide the vane shaft in arrow 2 direction and separate it from the unit body.



(2)-3. Remove the axial rod on the one end of the multi-flow vane from the unit body.

## OPERATING PROCEDURE

### 5. Removing the horizontal vane motor

- (1) Remove the panel. (Refer to section 1.)
- (2) Remove the screws of the horizontal vane motor support and pull out the horizontal vane motor support from the nozzle.
- (3) Remove the screws of the horizontal vane motors.
- (4) Remove the horizontal vane motors from the horizontal vane motor support.
- (5) Disconnect the connectors from the horizontal vane motor.

#### \*Installing the horizontal vane motor

Connect the connectors to the horizontal vane motors by referring to the colors, red and white, noted on the vane motor support.

### 6. Removing the multi-flow vane motor unit

- (1) Remove the panel. (Refer to section 1.)
- (2) Disconnect the connector from the multi-flow vane motor unit.
- (3) Remove the screws of the multi-flow vane motor unit and pull out the multi-flow vane motor unit from the nozzle.

## PHOTOS/FIGURES

Photo 9

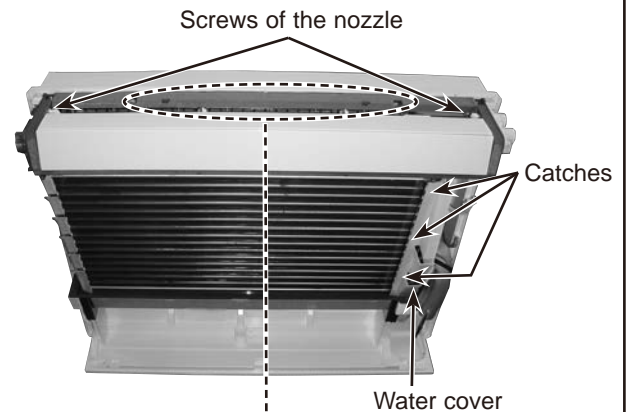


Photo 10

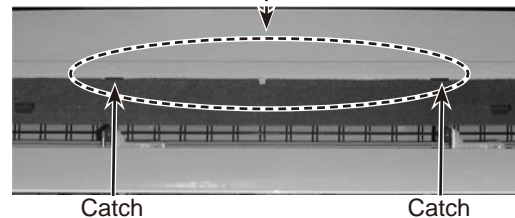


Photo 11

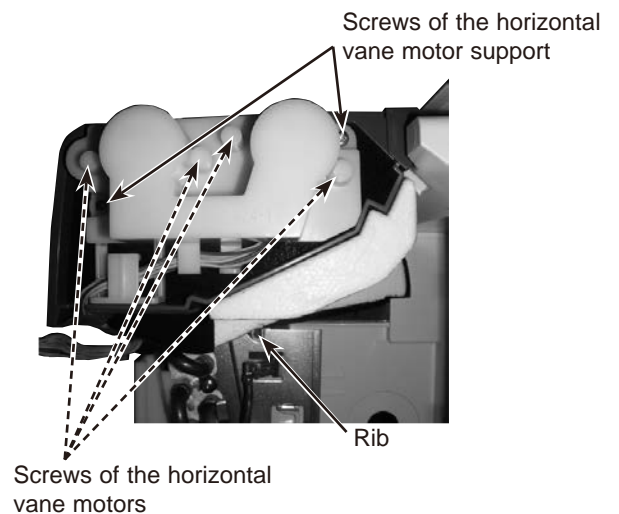
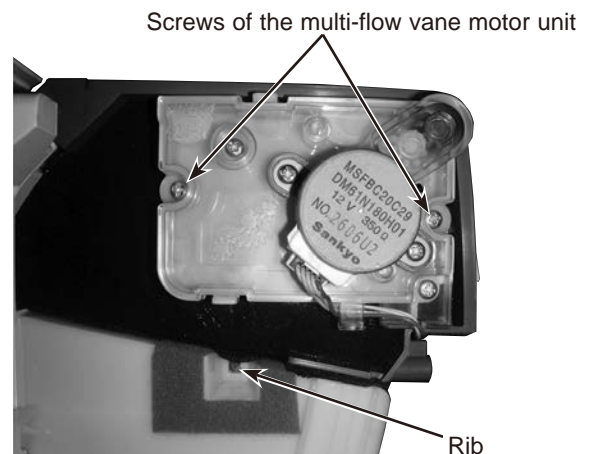


Photo 12



## OPERATING PROCEDURE

### 7. Removing the line flow fan and the indoor fan motor

- (1) Remove the panel. (Refer to section 1.)
- (2) Remove the electrical box. (Refer to section 2.)
- (3) Remove the nozzle. (Refer to section 4.)
- (4) Disengage the water cover from the catches. (Photo 9)
- (5) Remove the screws fixing the motor bed.
- (6) Loosen the screw fixing the line flow fan.
- (7) Remove the motor bed together with the indoor fan motor and the motor band.
- (8) Disengage the catches on the motor band and remove the motor band, and pull out the indoor fan motor.
- (9) Remove the screws fixing the both sides of the heat exchanger.
- (10) Disengage the catch on the right side on the heat exchanger.
- (11) Lift the heat exchanger, and pull out the line flow fan upward.

Photo 16

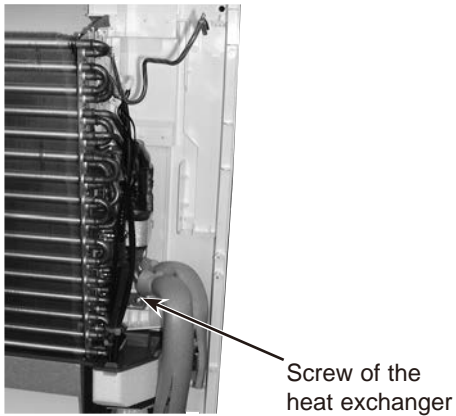


Photo 17



## PHOTOS/FIGURES

Photo 13

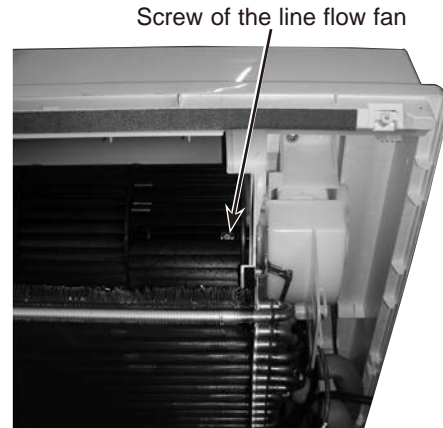


Photo 14

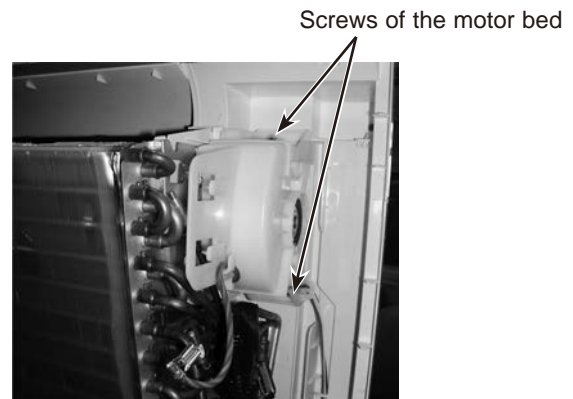
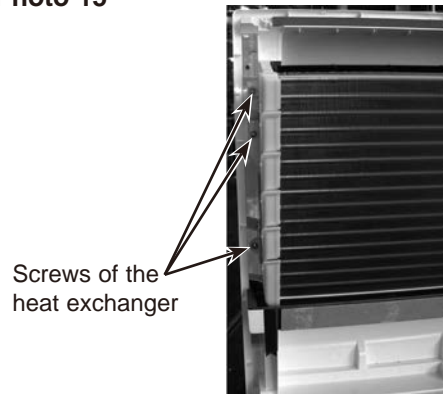


Photo 15



## OPERATING PROCEDURE

### 8. Removing the R32 sensor

- (1) Remove the panel. (Refer to section 1.)
- (2) Loosen the screw of the R32 sensor plate, and take the R32 sensor plate.
- (3) Cut the band fixing the lead wire.
- (4) Disengage the R32 sensor cover from the R32 sensor plate.
- (5) Disengage the catches to open the R32 sensor cover.
- (6) Take the R32 sensor, then disconnect the lead wire.

## PHOTOS/FIGURES

Photo 18

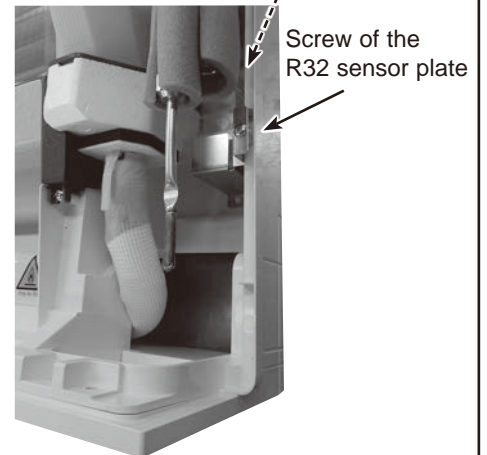


Photo 20

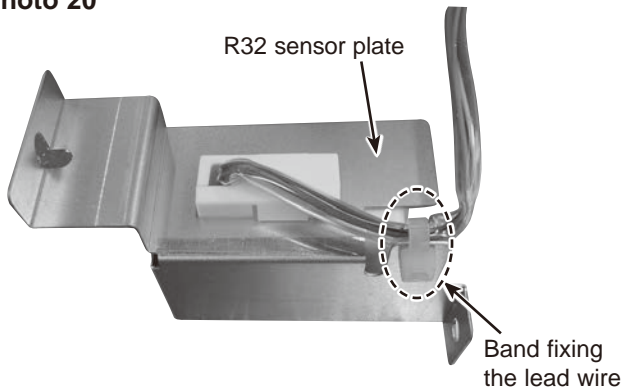


Photo 19

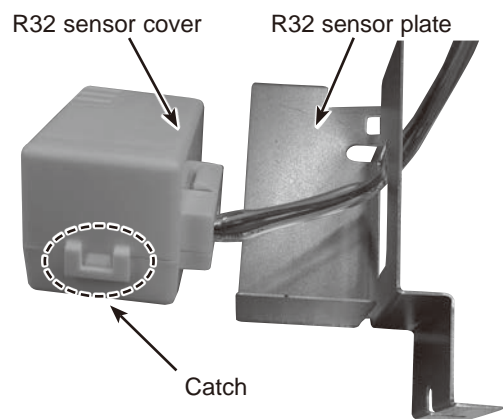
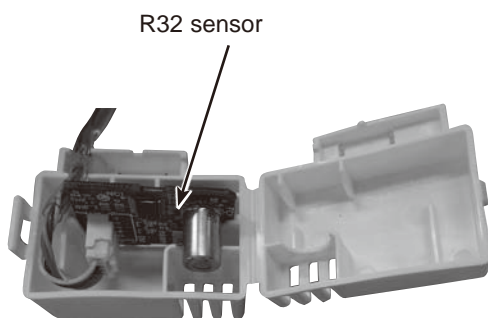


Photo 21



# **MITSUBISHI ELECTRIC CORPORATION**

HEAD OFFICE: TOKYO BUILDING, 2-7-3, MARUNOUCHI, CHIYODA-KU, TOKYO 100-8310, JAPAN

© Copyright 2019 MITSUBISHI ELECTRIC CORPORATION

Issued: Jul. 2021. No. OBH843 REVISED EDITION-D

Issued: May 2020. No. OBH843 REVISED EDITION-C

Issued: Feb. 2020. No. OBH843 REVISED EDITION-B

Issued: Aug. 2019. No. OBH843 REVISED EDITION-A

Published: Jun. 2019. No. OBH843

Made in Japan

Specifications are subject to change without notice.