

Cylinder unit

Гидро модуль с накопительным баком ГВС

EHPT series

EHST series

ERPT series

ERST series

INSTALLATION MANUAL	FOR INSTALLER	English
MANUEL D'INSTALLATION	POUR L'INSTALLATEUR	Français
MANUAL DE INSTALACIÓN	PARA EL INSTALADOR	Español
MANUALE DI INSTALLAZIONE	PER L'INSTALLATORE	Italiano
ΕΓΧΕΙΡΙΔΙΟ ΟΔΗΓΙΩΝ ΕΓΚΑΤΑΣΤΑΣΗΣ	ΓΙΑ ΑΥΤΟΝ ΠΟΥ ΚΑΝΕΙ ΤΗΝ ΕΓΚΑΤΑΣΤΑΣΗ	Ελληνικά
MANUAL DE INSTALAÇÃO	PARA O INSTALADOR	Português
INSTALLATIONS MANUAL	TIL INSTALLATØREN	Dansk
INSTALLATIONS MANUAL	FÖR INSTALLATÖREN	Svenska
MONTAJ ELKİTABI	MONTÖR İÇİN	Türkçe
РУКОВОДСТВО ПО УСТАНОВКЕ	ДЛЯ УСТАНОВИТЕЛЯ	Русский
INSTALLASJONSHÅNDBOK	FOR MONTØR	Norsk
ASENNUSOPAS	ASENTAJALLE	Suomi
NAMESTITVENI PRIROČNIK	ZA MONTERJA	Slovenščina
MANUAL DE INSTALARE	PENTRU INSTALATOR	Română
PAIGALDUSJUHEND	PAIGALDAJALE	Eesti
MONTĀŽAS ROKASGRĀMATA	UZSTĀDĪŠANAS SPECIĀLISTAM	Latviski
MONTAVIMO VADOVAS	SKIRTA MONTUOTOJUI	Lietuviškai
PRIRUČNIK ZA POSTAVLJANJE	ZA INSTALATERA	Hrvatski
UPUTSTVO ZA UGRADNJU	ZA MONTERA	Srpski

Contents

For safe and correct use, read this manual and the outdoor unit installation manual thoroughly before installing the cylinder unit. English is the original language. The other language versions are translations of the original.

1. Safety Notices.....	2
2. Introduction.....	3
3. Technical Information	4
4. Installation.....	10
4.1 Location	10
4.2 Water Quality and System Preparation	11
4.3 Water Pipe Work.....	11
4.4 Electrical Connection	14
5. System Set Up	16
5.1 DIP Switch Functions	16
5.2 Connecting inputs/outputs	17
5.3 Wiring for 2-zone temperature control	18
5.4 Indoor unit only operation (during installation work)	19
5.5 Smart grid ready	19
5.6 Using SD memory card	19
5.7 Main remote controller	20
6. Commissioning.....	26
7. Service and Maintenance.....	27



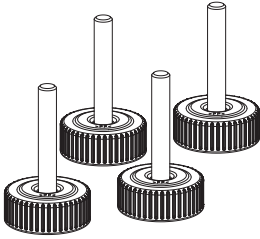
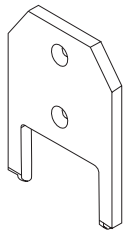
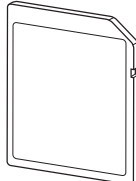

<http://www.mitsubishielectric.com/ldg/ibim/>

If you want more information that is not written in this manual, go to the above website to download manuals, select model name, then choose language.

Contents of website manual

- Energy monitor
- Component parts (detail)
- Water circuit diagram (170 L)
- Room thermostat
- Filling the system
- Simple 2 zone system
- Independent electrical power source
- Smart grid ready
- Remote controller options
- Service menu (special setting)
- Supplementary information

en

Accessories (Included)			
Adjustable feet	Immersion heater boss tool EHPT20X-MHEDW model only	SD memory card	Copper liner for DHW pipe
			
4	1	1	2

Abbreviations and glossary

No.	Abbreviations/Word	Description
1	Compensation curve mode	Space heating incorporating outdoor ambient temperature compensation
2	COP	Coefficient of Performance the efficiency of the heat pump
3	Cylinder unit	Indoor unvented DHW tank and component plumbing parts
4	DHW mode	Domestic hot water heating mode for showers, sinks, etc
5	Flow temperature	Temperature at which water is delivered to the primary circuit
6	Freeze stat. function	Heating control routine to prevent water pipes freezing
7	FTC	Flow temperature controller, the circuit board in charge of controlling the system
8	Heating mode	Space heating through radiators or Underfloor heating
9	Legionella	Bacteria potentially found in plumbing, showers and water tanks that may cause Legionnaires disease
10	LP mode	Legionella prevention mode – a function on systems with water tanks to prevent the growth of legionella bacteria
11	Packaged model	Plate heat exchanger (Refrigerant - Water) in the outdoor heat pump unit
12	PRV	Pressure relief valve
13	Return temperature	Temperature at which water is delivered from the primary circuit
14	Split model	Plate heat exchanger (Refrigerant - Water) in the indoor unit
15	TRV	Thermostatic radiator valve – a valve on the entrance or exit of the radiator panel to control the heat output
16	Cooling mode	Space cooling through fan-coils or underfloor cooling

1 Safety Notices

Please read the following safety precautions carefully.

⚠ WARNING:
Precautions that must be observed to prevent injuries or death.





⚠ CAUTION:
Precautions that must be observed to prevent damage to unit.

This installation manual along with the user manual should be left with the product after installation for future reference.

Mitsubishi Electric is not responsible for the failure of locally-supplied parts.

- Be sure to perform periodical maintenance.
- Be sure to follow your local regulations.
- Be sure to follow the instructions provided in this manual.

MEANINGS OF SYMBOLS DISPLAYED ON THE UNIT

	WARNING (Risk of fire)	This mark is for R32 refrigerant only. Refrigerant type is written on nameplate of outdoor unit. In case that refrigerant type is R32, this unit uses a flammable refrigerant. If refrigerant leaks and comes in contact with fire or heating part, it will create harmful gas and there is risk of fire.
		Read the OPERATION MANUAL carefully before operation.
		Service personnel are required to carefully read the OPERATION MANUAL and INSTALLATION MANUAL before operation.
		Further information is available in the OPERATION MANUAL, INSTALLATION MANUAL, and the likes.

en

⚠ ⚠ WARNING

Mechanical

The cylinder unit and outdoor unit must not be installed, disassembled, relocated, altered or repaired by the user. Ask an authorised installer or technician. If the unit is installed improperly or modified after installation, water leakage, electric shock or fire may result.

The outdoor unit should be securely fixed to a hard level surface capable of bearing its weight.

The cylinder unit should be positioned on a hard level surface capable of supporting its filled weight to prevent excessive sound or vibration.

Do not position furniture or electrical appliances below the outdoor unit or cylinder unit.

The discharge pipework from the emergency devices of the cylinder unit should be installed according to local law.

Only use accessories and replacement parts authorised by Mitsubishi Electric ask a qualified technician to fit the parts.

Electrical

All electrical work should be performed by a qualified technician according to local regulations and the instructions given in this manual.

The units must be powered by a dedicated power supply and the correct voltage and circuit breakers must be used.

Wiring should be in accordance with national wiring regulations. Connections must be made securely and without tension on the terminals.

Earth unit correctly.

General

Keep children and pets away from both the cylinder unit and outdoor unit.

Do not use the hot water produced by the heat pump directly for drinking or cooking. This could cause illness to the user.

Do not stand on the units.

Do not touch switches with wet hands.

Annual maintenance checks on both the cylinder unit and the outdoor unit should be conducted by a qualified person.

Do not place containers with liquids on top of the cylinder unit. If they leak or spill onto the cylinder unit damage to the unit and/or fire could occur.

Do not place any heavy items on top of the cylinder unit.

When installing, relocating, or servicing the cylinder unit, use only the heat pump's specified refrigerant to charge the refrigerant lines. Do not mix it with any other refrigerant and do not allow air to remain in the lines. If air is mixed with the refrigerant, then it can be the cause of abnormal high pressure in the refrigerant line, and may result in an explosion and other hazards.

The use of any refrigerant other than that specified for the system will cause mechanical failure or system malfunction or unit breakdown. In the worst case, this could lead to a serious impediment to securing product safety.

In heating mode, to avoid the heat emitters being damaged by excessively hot water, set the target flow temperature to a minimum of 2°C below the maximum allowable temperature of all the heat emitters. For Zone2, set the target flow temperature to a minimum of 5°C below the maximum allowable flow temperature of all the heat emitters in Zone2 circuit.

Do not install the unit where combustible gases may leak, be produced, flow, or accumulate. If combustible gas accumulates around the unit, fire or explosion may result.

Do not use means to accelerate the defrosting process or to clean, other than those recommended by the manufacturer.

The appliance shall be stored in a room without continuously operating ignition sources (for example: open flames, an operating gas appliance or an operating electric heater).

Do not pierce or burn.

Be aware that refrigerants may not contain an odour.

Pipe-work shall be protected from physical damage.

The installation of pipe-work shall be kept to a minimum.

Compliance with national gas regulations shall be observed.

Keep any required ventilation openings clear of obstruction.

Do not use low temperature solder alloy in case of brazing the refrigerant pipes.

1 Safety Notices

CAUTION

Use clean water that meets local quality standards on the primary circuit.

The outdoor unit should be installed in an area with sufficient airflow according to the diagrams in the outdoor unit installation manual.

The cylinder unit should be located inside to minimise heat loss.

Water pipe-runs on the primary circuit between outdoor and indoor unit should be kept to a minimum to reduce heat loss.

Ensure condensate from outdoor unit is piped away from the base to avoid puddles of water.

Remove as much air as possible from the primary and DHW circuits.

Refrigerant leakage may cause suffocation. Provide ventilation in accordance with EN378-1.

Be sure to wrap insulation around the piping. Direct contact with the bare piping may result in burns or frostbite.

Never put batteries in your mouth for any reason to avoid accidental ingestion.

Battery ingestion may cause choking and/or poisoning.

Do not transport the cylinder unit with water inside the DHW tank. This could cause damage to the unit.

If power to the cylinder unit is to be turned off (or system switched off) for a long time, the water should be drained.

If unused for a long period, before operation is resumed, DHW tank should be flushed through with potable water.

Preventative measures should be taken against water hammer, such as installing a Water Hammer Arrestor on the primary water circuit, as directed by the manufacturer.

As for the handling of refrigerant, refer to the outdoor unit installation manual.

en

2 Introduction

The purpose of this installation manual is to instruct competent persons how to safely and efficiently install and commission the cylinder unit system. The target readers of this manual are competent plumbers and/or refrigeration engineers

who have attended and passed the requisite Mitsubishi Electric product training and have appropriate qualifications for installation of an unvented hot water cylinder unit specific to their country.

3 Technical Information

Product specification

Model name	EHST20C-MED	EHST20C-VM2D	EHST20C-VM6D	EHST20C-VM9D	EHST20C-VM9ED	EHST20C-VM9D	ERST20C-VM2D	EHST30C-MED	EHST30C-VM6ED	EHST30C-VM9ED	EHST30C-TM9ED	ERST30C-VM2ED	EHPT17X-VM6D	EHPT17X-VM9D	ERPT17X-VM2D	
Nominal domestic hot water volume	200 L															
Overall unit dimensions (Height × Width × Depth)	1600 × 595 × 680 mm															
Weight (empty)	106 kg	113 kg	114 kg	115 kg	109 kg	115 kg	113 kg	118 kg	120 kg	121 kg	121 kg	120 kg	85 kg	86 kg	87 kg	86 kg
Weight (full)	314 kg	320 kg	321 kg	324 kg	319 kg	324 kg	320 kg	426 kg	422 kg	431 kg	431 kg	428 kg	261 kg	262 kg	265 kg	261 kg
Water volume of heating circuit in the unit *1	4.6 L	12 L	12 L	6.9 L	6.9 L	6.9 L	4.6 L	5.0 L	5.0 L	7.3 L	7.3 L	5.0 L	3.2 L	3.2 L	5.5 L	3.2 L
Unvented expansion vessel (Primary heating)	—	—	—	—	—	—	12 L	—	—	—	—	—	12 L	—	—	—
Charge pressure	—	—	—	—	—	—	0.1 MPa	—	—	—	—	—	0.1 MPa	—	—	—
Control thermostat	1 - 80°C															
Pressure relief valve	0.3 MPa (3 bar)															
Flow sensor	Min. flow 5.0 L/min (See table 4.3.1 about water flow rate range)															
Booster heater	—	—	—	90°C	—	—	—	—	—	—	—	90°C	—	—	—	—
BH manual reset thermostat	—	—	—	121°C	—	—	—	—	—	—	—	121°C	—	—	—	—
BH thermal Cut Off	75°C															
Control thermostat	—															
IH manual reset thermostat	—															
DHW tank	1.0 MPa (10 bar)															
Temperature / Pressure relief valve	—															
Water	Primary circuit															
DHW circuit	ø28 mm															
Refrigerant (R32/ R410A)	Liquid															
Gas	9.52 mm															
Room temperature	15.88 mm															
Flow temperature	10 - 30°C															
Room temperature	20 - 60°C															
Flow temperature	—															
Operating range	—	—	—	5 - 25°C	—	—	—	—	—	—	—	5 - 25°C	—	—	—	5 - 25°C
Guaranteed operating range *2	0 - 35°C (≤ 80 %RH)															
Heating	See outdoor unit spec table.															
Cooling	*4	—	—	70°C	—	—	*3	*4	—	—	—	*3	—	—	—	*3
Maximum allowable hot water temperature	—															
Declared load profile	L															
Average climate	A+															
Water heater energy efficiency class	A															
Control board (Including 4 pumps)	—															
Power supply (Phase, voltage, frequency)	~N, 230 V, 50 Hz															
Input	0.30 kW															
Current	1.95 A															
Breaker	10 A															
Power supply (Phase, voltage, frequency)	—	~N, 230 V, 50 Hz	3~ 400 V, 50 Hz	3~ 230 V, 50 Hz	3~ 400 V, 50 Hz	3~ 230 V, 50 Hz	~N, 230 V, 50 Hz	—	~N, 230 V, 50 Hz	3~ 400 V, 50 Hz	3~ 230 V, 50 Hz	~N, 230 V, 50 Hz	3~ 400 V, 50 Hz	~N, 230 V, 50 Hz	3~ 400 V, 50 Hz	~N, 230 V, 50 Hz
Capacity	—	2 kW	2 kW + 4 kW	3 kW + 6 kW	3 kW + 6 kW	3 kW + 6 kW	2 kW	—	2 kW + 4 kW	3 kW + 6 kW	3 kW + 6 kW	2 kW	2 kW + 4 kW	3 kW + 6 kW	2 kW	2 kW
Current	—	9 A	26 A	13 A	13 A	23 A	9 A	—	26 A	13 A	23 A	9 A	26 A	13 A	13 A	9 A
Breaker	—	16 A	32 A	16 A	16 A	32 A	16 A	—	32 A	16 A	32 A	16 A	32 A	16 A	16 A	16 A
Power supply (Phase, voltage, frequency)	—															
Capacity	—															
Current	—															
Breaker	—															
Sound power level (PWL)	40 dB(A)															

<Table 3.2>

*1 Volume of sanitary water circuit, primary DHW circuit (from 3-way valve to confluent point with heating circuit), piping to expansion vessel, and expansion vessel are not included in this value.
 *2 The environment must be frost-free.
 *3 See outdoor unit spec table (min, 10°C). Cooling mode is not available in low outdoor temperature. If you use our system in cooling mode at the low ambient temperature (10°C or below), there are some risks of plate heat exchanger damages by frozen water.
 *4 For the model without booster heater and immersion heater, the maximum allowable hot water temperature is [Maximum outlet water of outdoor unit - 3°C]. For the maximum outlet water of outdoor unit, refer to outdoor unit data book.
 *5 Do not fit immersion heaters without thermal cut-out. Use only Mitsubishi Electric service parts as a direct replacement.

3 Technical Information

Product specification

Model name	EHPT20X-MED	EHPT20X-VM6D	EHPT20X-YM9D	EHPT20X-YM9ED	EHPT20X-TM9D	EHPT20X-MHEDW	ERPT20X-MD	ERPT20X-VM2D	ERPT20X-VM6D	EHPT30X-MED	EHPT30X-YM9ED	ERPT30X-VM2ED
Nominal domestic hot water volume	300 L											
Overall unit dimensions (Height x Width x Depth)	1600 x 595 x 680 mm											
Weight (empty)	93 kg	101 kg	102 kg	96 kg	102 kg	90 kg	99 kg	100 kg	101 kg	106 kg	109 kg	107 kg
Weight (full)	300 kg	307 kg	310 kg	305 kg	310 kg	296 kg	305 kg	305 kg	307 kg	413 kg	419 kg	413 kg
Water volume of heating circuit in the unit *1	3.7 L											
Unvented expansion vessel (Primary heating)	12 L											
Charge pressure	0.1 MPa											
Control thermostat	1 - 80°C											
Primary circuit	—											
Pressure relief valve	—											
Flow sensor	Min. flow 5.0 L/min (See table 4.3.1 about water flow rate range)											
Booster heater	—	90°C	90°C	90°C	90°C	—	—	90°C	—	—	90°C	—
Safety device	—	121°C	121°C	121°C	121°C	—	—	121°C	—	—	121°C	—
DHW tank	75°C											
Temperature/Pressure relief valve	1.0 MPa (10 bar)											
Water	90°C / 0.7 MPa (7 bar)											
DHW circuit	ø28 mm											
Refrigerant (R32/ R410A)	—											
Liquid	—											
Gas	—											
Heating	Room temperature											
Flow temperature	10 - 30°C											
Room temperature	20 - 60°C											
Cooling	—											
Flow temperature	5 - 25°C											
Ambient	0 - 35°C (≤ 80 %RH)											
Outdoor temperature	See outdoor unit spec table.											
Heating	—											
Cooling	*3											
Maximum allowable hot water temperature	*4											
Declared load profile	L											
Average climate	A+											
Water heater energy efficiency class	—											
Power supply (Phase, voltage, frequency)	~N, 230 V, 50 Hz											
Control board (Including 4 pumps)	0.30 kW											
Input	1.95 A											
Current	—											
Breaker	10 A											
Power supply (Phase, voltage, frequency)	—	~N, 230 V, 50 Hz	3~ , 400 V, 50 Hz	3~ , 230 V, 50 Hz	—	—	—	~N, 230 V, 50 Hz	—	—	3~ , 400 V, 50 Hz	~N, 230 V, 50 Hz
Capacity	—	2 kW + 4 kW	3 kW + 6 kW	—	—	—	—	2 kW + 4 kW	—	—	3 kW + 6 kW	2 kW
Current	—	26 A	13 A	16 A	23 A	—	—	9 A	26 A	—	13 A	9 A
Breaker	—	32 A	16 A	32 A	—	—	—	16 A	32 A	—	16 A	16 A
Power supply (Phase, voltage, frequency)	~N, 230 V, 50 Hz											
Capacity	3 kW											
Current	13 A											
Breaker	16 A											
Sound power level (PWL)	40 dB(A)											

<Table 3.3>

*1 Volume of sanitary water circuit, primary DHW circuit (from 3-way valve to confluent point with heating circuit), piping to expansion vessel, and expansion vessel are not included in this value.
 *2 The environment must be frost-free.
 *3 See outdoor unit spec table (min, 10°C). Cooling mode is not available in low outdoor temperature. If you use our system in cooling mode at the low ambient temperature (10°C or below), there are some risks of plate heat exchanger damages by frozen water.
 *4 For the model without booster heater and immersion heater, the maximum allowable hot water temperature is [Maximum outlet water of outdoor unit - 3°C]. For the maximum outlet water of outdoor unit, refer to outdoor unit data book.
 *5 Do not fit immersion heaters without thermal cut-out. Use only Mitsubishi Electric service parts as a direct replacement.

3 Technical Information

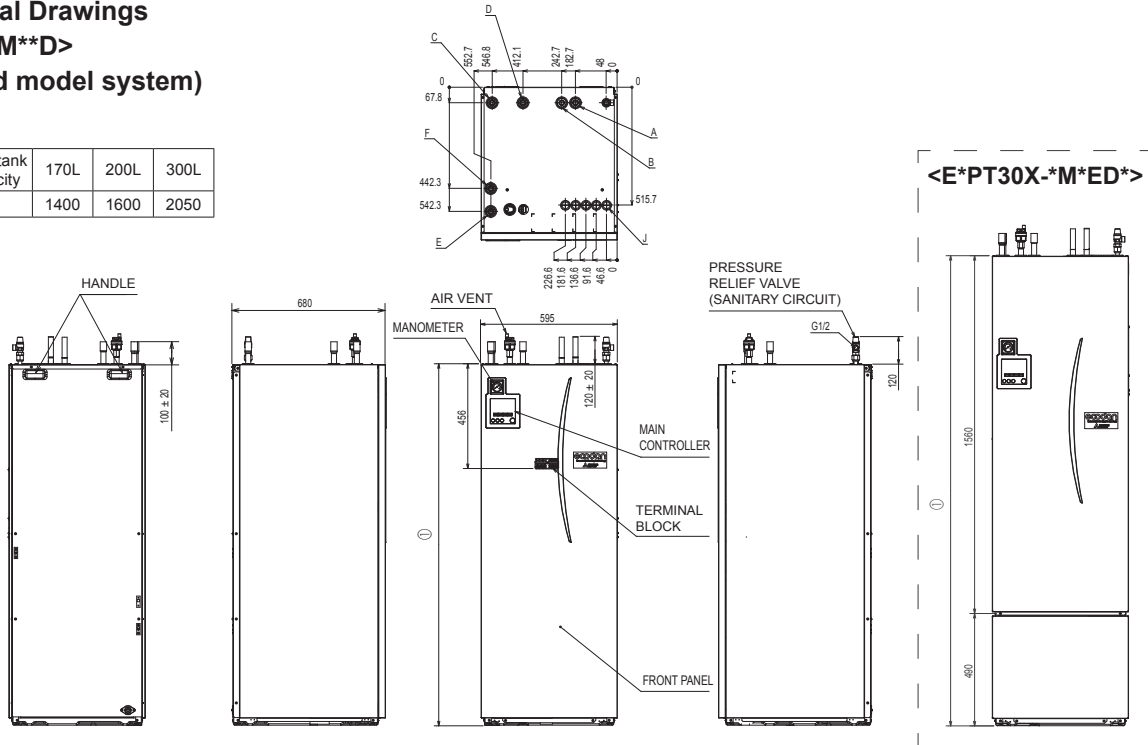
<Unit: mm>

■ Technical Drawings

<E**T***-M**D>

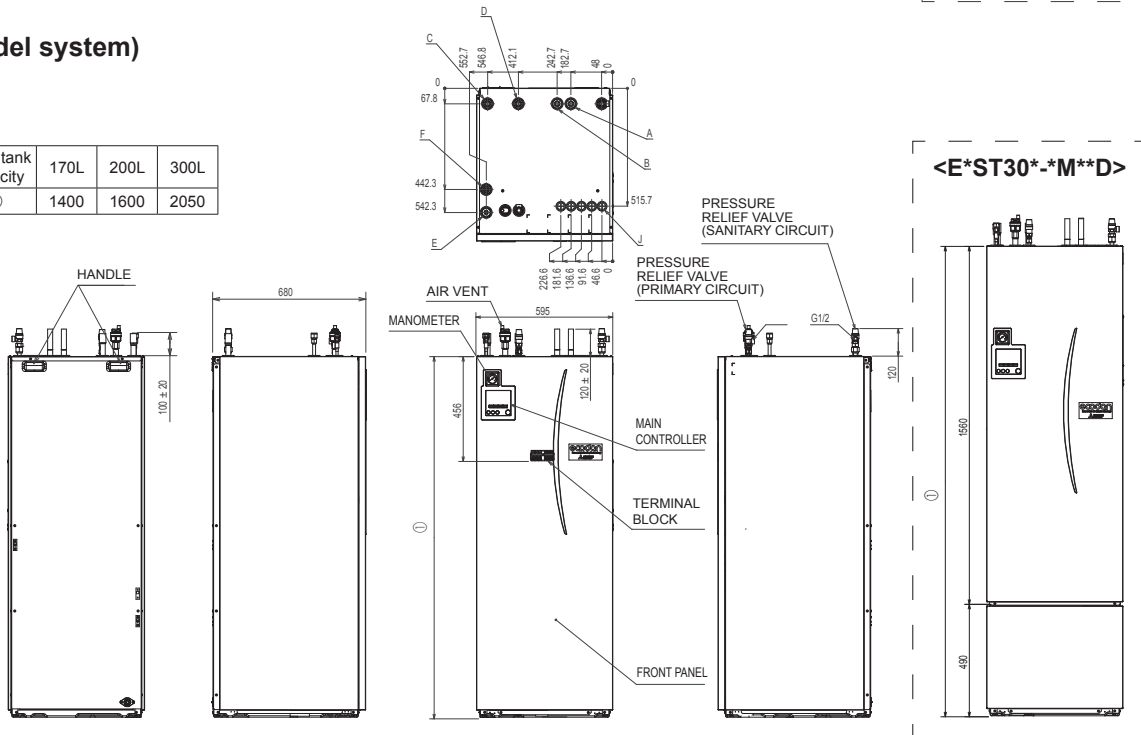
(Packaged model system)

DHW tank capacity	170L	200L	300L
①	1400	1600	2050



(Split model system)

DHW tank capacity	170L	200L	300L
①	1400	1600	2050



Letter	Pipe description	Connection size/type	
A	DHW outlet connection	22 mm/Compression	
B	Cold water inlet connection	22 mm/Compression	
C	Space heating/cooling RETURN connection	28 mm/Compression	
D	Space heating/cooling FLOW connection	28 mm/Compression	
E	Flow connection FROM heat pump (No plate heat exchanger)	28 mm/Compression	
F	Return connection TO heat pump (No plate heat exchanger)	28 mm/Compression	
G	Refrigerant (GAS) (With plate heat exchanger)	12.7 mm/Flare (E*ST**D-*) 15.88 mm/Flare (E*ST**C-*)	Warning • Refrigerant pipes connection shall be accessible for maintenance purposes. • In case of reconnecting the refrigerant pipes after detaching, make the flared part of pipe re-fabricated.
H	Refrigerant (LIQUID) (With plate heat exchanger)	6.35 mm/Flare (E*ST**D-*) 9.52 mm/Flare (E*ST**C-*)	
J	Electrical cable inlets ① ② ③ ④ ⑤ ○ ○ ○ ○ ○	For inlets ①, ② and ③, run low-voltage wires including external input wires and thermistor wires. For inlets ④ and ⑤, run high-voltage wires including power cable, indoor-outdoor cable, and external output wires. *For a wireless receiver (option) cable and ecodan Wi-Fi interface (option) cable, use inlet ①.	

<Table 3.4>

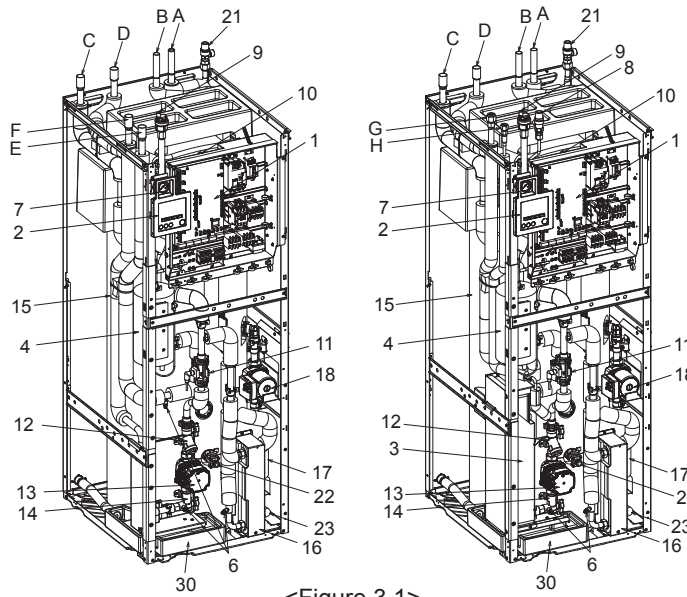
3 Technical Information

Component Parts

<E**T***-M**D>

(Packaged model system)

(Split model system)

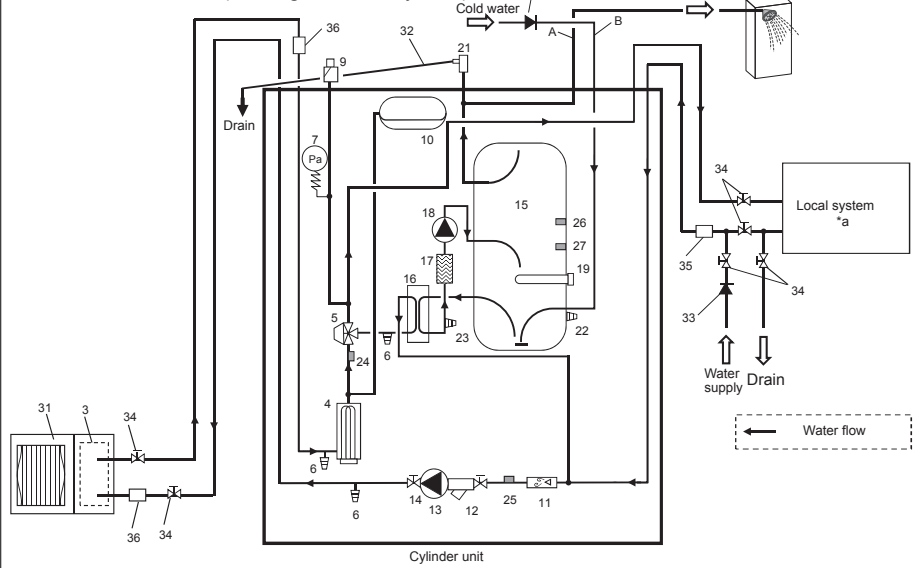


<Figure 3.1>

Note:
For installation of all E**T***-M*ED* models, make sure to install a suitably sized primary-side expansion vessel and an additional PRV to prevent the expansion vessel from burst in the field. (See figure 3.2 ~ 3.3 and 4.3.2 for further guidance)

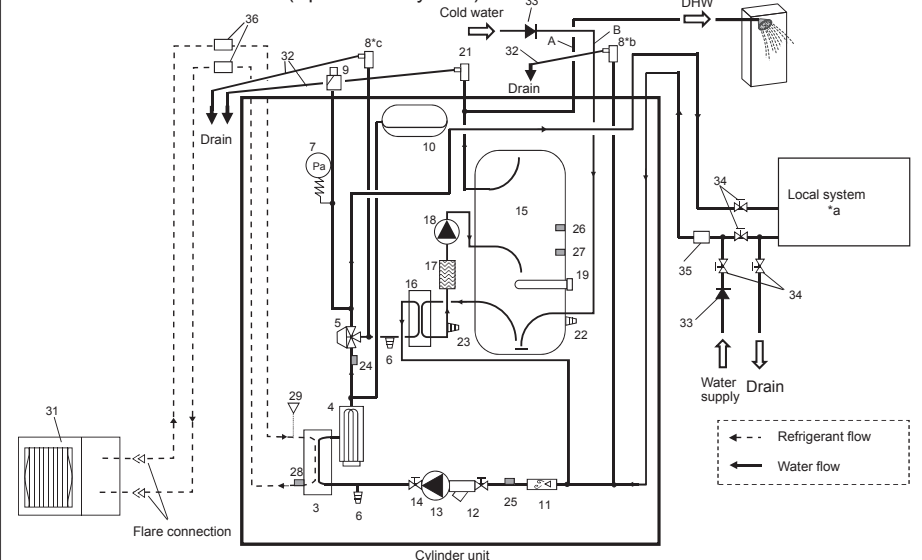
Water circuit diagram

<E*PT20/30X-M**D> (Packaged model system)



<Figure 3.2>

<E*ST20C/30C/30D-M**D> (Split model system)



<Figure 3.3>

No.	Part name
A	DHW outlet pipe
B	Cold water inlet pipe
C	Water pipe (Space heating/cooling return connection)
D	Water pipe (Space heating/cooling flow connection)
E	Water pipe (Flow from heat pump connection)
F	Water pipe (Return to heat pump connection)
G	Refrigerant pipe (Gas)
H	Refrigerant pipe (Liquid)
1	Control and electrical box
2	Main remote controller
3	Plate heat exchanger (Refrigerant - Water)
4	Booster heater 1,2
5	3-way valve
6	Drain cock (Primary circuit)
7	Manometer
8	Pressure relief valve (3bar)
9	Automatic air vent
10	Expansion vessel (Primary circuit)
11	Flow sensor
12	Strainer valve
13	Water circulation pump 1 (Primary circuit)
14	Pump valve
15	DHW tank
16	Plate heat exchanger (Water - Water)
17	Scale trap
18	Water circulation pump (Sanitary circuit)
19	Immersion heater *1
20	Temperature and pressure relief valve *1
21	Pressure relief valve (10bar) (DHW Tank)
22	Drain cock (DHW tank)
23	Drain cock (Sanitary circuit)
24	Flow water temp. thermistor (THW1)
25	Return water temp. thermistor (THW2)
26	DHW tank upper water temp. thermistor (THW5A)
27	DHW tank lower water temp. thermistor (THW5B)
28	Refrigerant liquid temp. thermistor (TH2)
29	Pressure sensor
30	Drain pan
31	Outdoor unit
32	Drain pipe (Local supply)
33	Back flow prevention device (Local supply)
34	Isolating valve (Local supply)
35	Magnetic filter (Local supply) (Recommended)
36	Strainer (Local supply)
37	Additional PRV (Local supply)
38	Inlet control group *1
39	Filling loop (Ball valves, check valves and flexible hose) *1
40	Potable expansion vessel *1

*1 Supplied with UK model ONLY. Please refer to PAC-WK02UK-E Installation Manual for more information on accessories.

<Table 3.5>

Go to the Mitsubishi website to check the water circuit of other units and the component parts of each unit.

*a Refer to the following section [Local system].

*b E**T20 only

*c E**T30 only

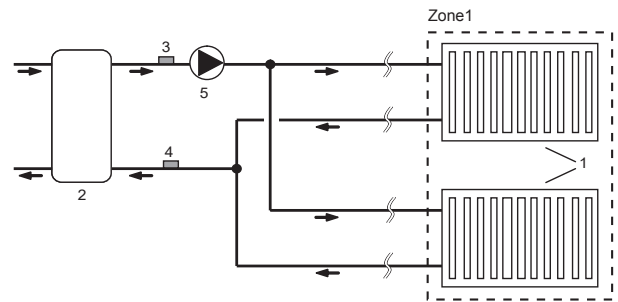
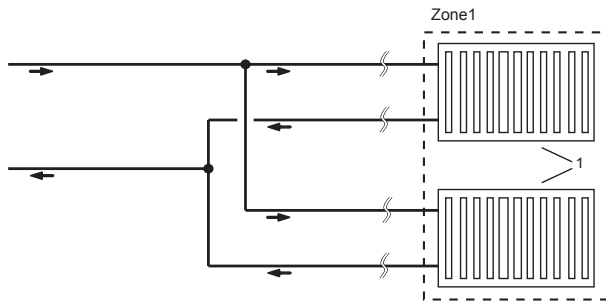
Notes

- To enable draining of the cylinder unit an isolating valve should be positioned on both the inlet and outlet pipework.
- Be sure to install a strainer on the inlet pipework to the cylinder unit.
- Suitable drain pipework should be attached to all relief valves in accordance with your country's regulations.
- A backflow prevention device must be installed on the cold water supply pipework (IEC 61770)
- When using components made from different metals or connecting pipes made of different metals insulate the joints to prevent any corrosive reaction taking place which may damage the pipework.

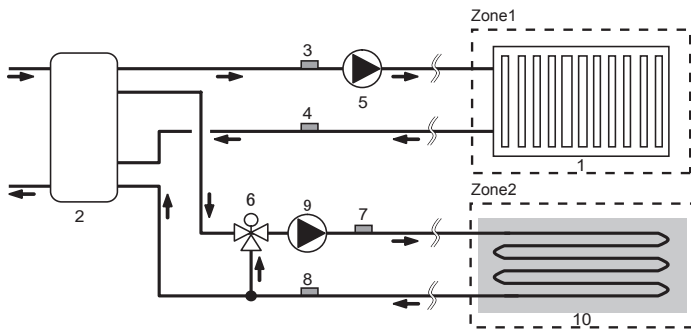
3 Technical Information

Local system

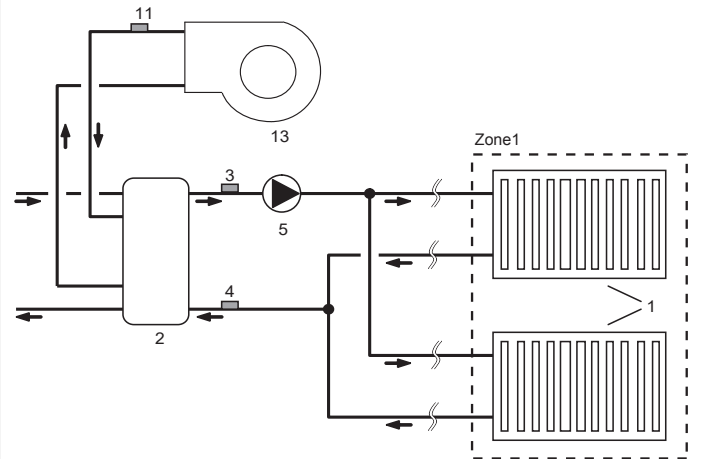
1-zone temperature control



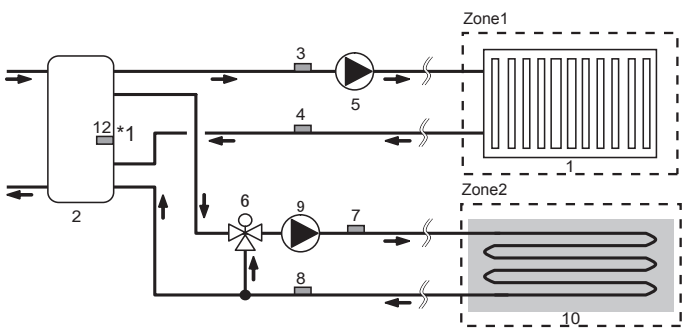
2-zone temperature control



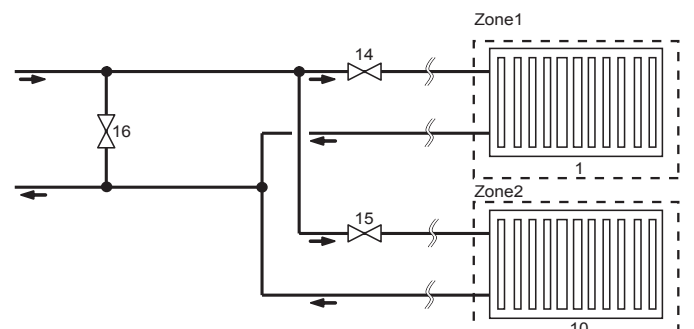
1-zone temperature control with boiler



2-zone temperature control & Buffer tank control



1-zone temperature control (2-zone valve ON/OFF control)



- 1. Zone1 heat emitters (e.g. radiator, fan coil unit) (local supply)
- 2. Mixing tank (local supply)
- 3. Zone1 flow water temp. thermistor (THW6)
- 4. Zone1 return water temp. thermistor (THW7) } Optional part : PAC-TH011-E
- 5. Zone1 water circulation pump (local supply)
- 6. Motorized mixing valve (local supply)
- 7. Zone2 flow water temp. thermistor (THW8)
- 8. Zone2 return water temp. thermistor (THW9) } Optional part : PAC-TH011-E
- 9. Zone2 water circulation pump (local supply)

- 10. Zone2 heat emitters (e.g. underfloor heating) (local supply)
- 11. Boiler flow water temp. thermistor (THWB1) } Optional part : PAC-TH012HT(L)-E
- 12. Mixing tank thermistor (THW10) *1
- 13. Boiler (local supply)
- 14. Zone1 2-way valve (local supply)
- 15. Zone2 2-way valve (local supply)
- 16. Bypass valve (local supply)

*1 ONLY Buffer tank control (heating/cooling) applies to "Smart grid ready".

en

4 Installation

<Preparation before the installation and service>

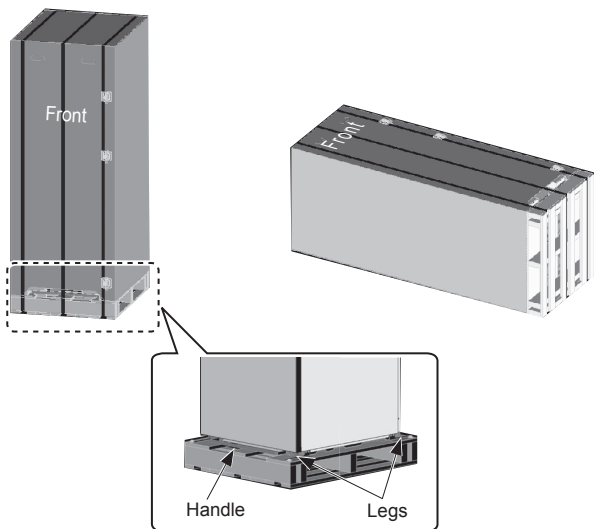
- Prepare the proper tools.
- Prepare the proper protection.
- Allow parts to cool before attempting any maintenance.
- Provide adequate ventilation.
- After stopping the operation of the system, turn off the power-supply breaker and remove the power plug.
- Discharge the capacitor before commencing work involving the electric parts.

<Precautions during service>

- Do not perform work involving electric parts with wet hands.
- Do not pour water or liquid into the electric parts.
- Do not touch the refrigerant.
- Do not touch the hot or cold surfaces in the refrigerant cycle.
- When the repair or the inspection of the circuit needs to be carried out without turning off the power, exercise great caution NOT to touch any LIVE parts.

4.1 Location

■ Transportation and Handling



<Figure 4.1.1>

Cylinder unit is delivered on a wooden pallet base with cardboard protection.

Care should be taken when transporting the cylinder unit that the casing is not damaged by impact. Do not remove the protective packaging until cylinder unit has reached its final location. This will help protect the structure and control panel.

- The cylinder unit can be transported either vertically or horizontally. If transported horizontally the panel marked 'Front' must be facing **UPWARDS** <Figure 4.1.1>.
- The cylinder unit should ALWAYS be moved by a minimum of 3 people.
- When carrying the cylinder unit use the handles provided.
- Before using the handles, make sure they are securely attached.
- **Please remove front handle, fixing legs, wooden base and any other packaging once the unit is in installation location.**
- **Keep the handles for future transportation.**

■ Suitable Location

Before installation the cylinder unit should be stored in a frost-free weather-proof location. Units must **NOT** be stacked.

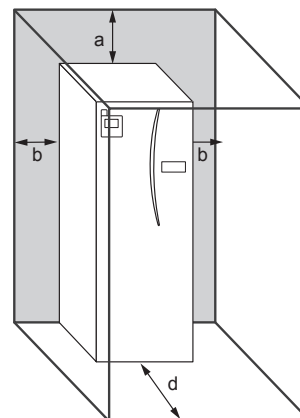
- The cylinder unit should be installed indoors in a frost free weather proof location.
- Install the cylinder unit where it is not exposed to water/excessive moisture.
- The cylinder unit should be positioned on a level surface capable of supporting it's **FILLED** weight. (Adjustable feet (accessory parts) can be used to ensure unit is level)
- When using the adjustable feet, ensure that the floor is strong enough.
- Care should be taken that minimum distances around and in front of the unit for service access are observed <Figure 4.1.2>.
- Secure the cylinder unit to prevent it being knocked over.

■ Service access diagrams

Service access	
Parameter	Dimension (mm)
a	300*
b	150
c (distance behind unit not visible in Figure 4.1.2)	10
d	500

<Table 4.1.1>

Sufficient space **MUST** be left for the provision of discharge pipework as detailed in National and Local Building Regulations.



<Figure 4.1.2>

Service access

* An additional 300 mm of space (total 600 mm) is required, when installing the optional 2-zone kit (PAC-TZ02-E) on top of the cylinder unit.

The cylinder unit must be located indoors and in a frost-free environment, for example in a utility room, to minimise heat loss from stored water.

■ Repositioning

If you need to move the cylinder unit to a new position **FULLY DRAIN** the cylinder unit before moving to avoid damage to the unit.

4 Installation

4.2 Water Quality and System Preparation

■ General

- The water in both primary and sanitary circuit should be clean and with pH value of 6.5-8.0
- The followings are the maximum values;
 - Calcium: 100 mg/L, Ca hardness: 250 mg/L
 - Chloride: 100 mg/L, Copper: 0.3 mg/L
- Other constituents should be to European Directive 98/83 EC standards.
- In known hard water areas, to prevent/minimise scaling, it is beneficial to restrict the routine stored water temperature (DHW max. temp.) to 55°C.

■ Anti-Freeze

Anti-freeze solutions should use propylene glycol with a toxicity rating of Class 1 as listed in Clinical Toxicology of Commercial Products, 5th Edition.

Notes:

1. Ethylene glycol is toxic and should NOT be used in the primary water circuit in case of any cross-contamination of the potable circuit.
2. For 2-zone valve ON/OFF control, propylene glycol should be used.

■ New Installation (primary water circuit)

- Before connecting outdoor unit, thoroughly cleanse pipework of building debris, solder etc using a suitable chemical cleansing agent.
- Flush the system to remove chemical cleanser.
- For all packaged model systems add a combined inhibitor and anti-freeze solution to prevent damage to the pipework and system components.
- For split model systems the responsible installer should decide if anti-freeze solution is necessary for each site's conditions. Corrosion inhibitor however should ALWAYS be used.

■ Existing Installation (primary water circuit)

- Before connecting outdoor unit the existing heating circuit MUST be chemically cleansed to remove existing debris from the heating circuit.
- Flush the system to remove chemical cleanser.
- For all packaged model systems, and the split model or PUMY system without booster heater, add a combined inhibitor and anti-freeze solution to prevent damage to the pipework and system components.
- For split model systems the responsible installer should decide if anti-freeze solution is necessary for each site's conditions. Corrosion inhibitor however should ALWAYS be used.

When using chemical cleansers and inhibitors always follow manufacturer's instructions and ensure the product is appropriate for the materials used in the water circuit

4.3 Water Pipe Work

■ Hot Water Pipework

The cylinder unit is **UNVENTED**. When installing unvented hot water systems building regulations part G3 (England and Wales), P3 (Scotland) and P5 (Northern Ireland) should be adhered to. If outside of the UK please adhere to your own country's regulations for unvented hot water systems.

Connect the flow for the DHW to pipe A (Figure 3.1).

The function of the following safety components of the cylinder unit should be checked on installation for any abnormalities;

- Pressure relief valve (Primary circuit and Tank)
- Expansion vessel pre-charge (gas charge pressure)

The instruction on the following pages regarding safe discharge of hot water from Safety devices should be followed carefully.

- The pipework will become very hot, so should be insulated to prevent burns.
- When connecting pipework, ensure that no foreign objects such as debris or the like enter the pipe.

■ Cold Water Pipework

Cold water to the suitable standard (see section 4.2) should be introduced to the system by connecting pipe B (Figure 3.1) using appropriate fittings.

■ Minimum amount of water required in the space heating/cooling circuit

Outdoor heat pump unit		Average / Warmer climate**		Colder climate**	
		Indoor unit containing water amount [L]	*Additional required water amount [L]	Indoor unit containing water amount [L]	*Additional required water amount [L]
Packaged model	PUZ-WM50	5	2	5	24
	PUZ-WM60		4		29
	PUZ-WM85		7		32
	PUZ-WM112		11		43
	PUZ-HWM140		15		55
Split model	SUZ-SWM40	5	1	5	12
	SUZ-SWM60		2		21
	SUZ-SWM80		4		29
	PUD-S(H)WM60		4		21
	PUD-S(H)WM80		6		29
	PUD-S(H)WM100		9		38
	PUD-S(H)WM120		12		47
	PUD-SHWM140		15		55
	PUHZ-FRP71		6		27
	PUHZ-SW75		6		27
	PUHZ-SW100		9		38
	PUHZ-SW120		12		47
	PUHZ-SHW80		6		29
	PUHZ-SHW112		11		43
	PUHZ-SHW140		15		55
	PUMY-P112		22		75
	PUMY-P125		22		75
PUMY-P140	22	75			

<Table 4.2.1>

* If there is a bypass circuit, above table means minimum water amount in case of bypass.

** Please refer to 2009/125/EC: Energy-related Products Directive and Regulation (EU) No 813/2013 to confirm your climate zone.

Case 1. No division between primary and secondary circuit

- Please ensure the required water amount according to the table 4.2.1 by water pipe and radiator or underfloor heating.

Case 2. Separate primary and secondary circuit

- If the interlock operation of primary and secondary pump is not available, please ensure required additional water in only primary circuit according to the table 4.2.1.
- If the interlock operation of primary and secondary pump is available, please ensure total water amount of primary and secondary circuit according to the table 4.2.1.

In case of the shortage of required water amount, please install buffer tank.

■ Negative pressure prevention

To prevent negative pressure affecting DHW tank, installer should install appropriate pipework or use appropriate devices.

■ Hydraulic filter work (ONLY E*PT series)

Install a hydraulic filter or strainer (local supply) at the water intake ("Pipe E" in Fig.3.1)

■ Pipework Connections

Connections to the cylinder unit should be made using the 22 mm or 28 mm compression as appropriate.

When connecting DHW pipes using compression fittings, insert **copper liner for DHW pipe** (accessory parts) into the pipes and tighten them from 0.75 to 1.25 turns.

Do not over-tighten compression fittings as this will lead to deformation of the olive ring and potential leaks.

Note: Before brazing pipes in the field, protect pipes on the cylinder unit using wet towels etc as "heat shield".

■ Insulation of Pipework

- All exposed water pipework should be insulated to prevent unnecessary heat loss and condensation. To prevent condensate entering the cylinder unit, the pipework and connections at the top of the cylinder unit should be carefully insulated.
- Cold and hot water pipework should not be run close together where possible, to avoid unwanted heat transfer.
- Pipework between outdoor heat pump unit and cylinder unit should be insulated with suitable pipe insulation material with a thermal conductivity of ≤ 0.04 W/m.K.

4 Installation

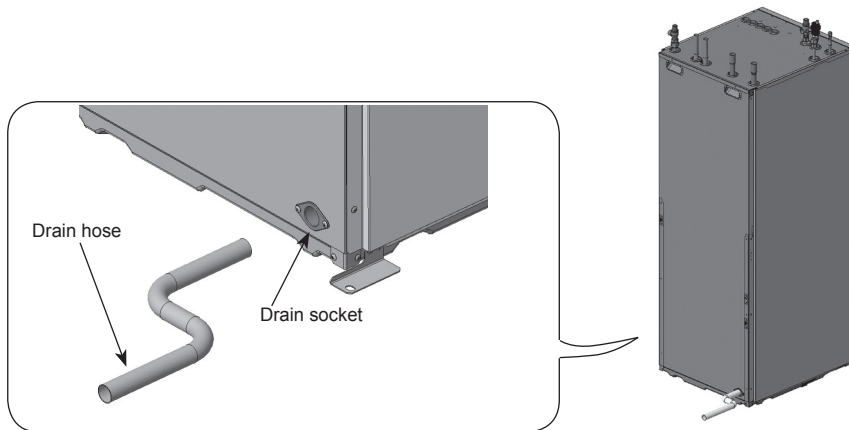
■ Drain Pipework (ONLY ER series)

- The optional part 'Drain pan stand' does not need to be set because the drain pan is installed. The drain should be set from the drain socket at left rear of the unit. The drain pipe should be installed to drain condensed water during cooling mode.
- To prevent dirty water from draining directly onto the floor next to cylinder unit, please connect appropriate discharge pipework from the cylinder drain pan.
 - Securely install the drain pipe to prevent leakage from the connection.
 - Securely insulate the drain pipe to prevent water dripping from the locally supplied drain pipe.
 - Install the drain pipe at a down slope of 1/100 or more.
 - Do not place the drain pipe in drain channel where sulphuric gas exists.
 - After installation, check that the drain pipe drains water properly from the outlet of the pipe to suitable discharge location.

<Installation>

1. The drain socket (inside diameter 26mm) is left rear of the cylinder unit. (Figure 4.3.1)
2. Fix the drain pipe (VP-20) which fits the drain socket with the polyvinyl chloride type adhesive.
3. Set the drain pipework up to the outlet with the down grade of more than one hundredth.

Note: Securely support the locally supplied drain pipe to avoid the drain pipe falling from the drain socket.



<Figure 4.3.1>

■ Sizing Expansion Vessels

Expansion vessel volume must fit the local system water volume.

To size an expansion vessel for the heating circuit the following formula and graph can be used.

When the necessary expansion vessel volume exceeds the volume of an built-in expansion vessel, install an additional expansion vessel so that the sum of the volumes of the expansion vessels exceeds the necessary expansion vessel volume.

* For installation of an E**T***-M*ED* model, provide and install a suitable primary-side expansion vessel and additional 3 bar rated pressure relief valve in the field as the model **DOES NOT** come fitted with a primary-side expansion vessel.

$$V = \frac{\varepsilon \times G}{1 - \frac{P_1 + 0.098}{P_2 + 0.098}}$$

Where;

- V : Necessary expansion vessel volume [L]
- ε : Water expansion coefficient
- G : Total volume of water in the system [L]
- P₁ : Expansion vessel setting pressure [MPa]
- P₂ : Max. pressure during operation [MPa]

Graph to the right is for the following values

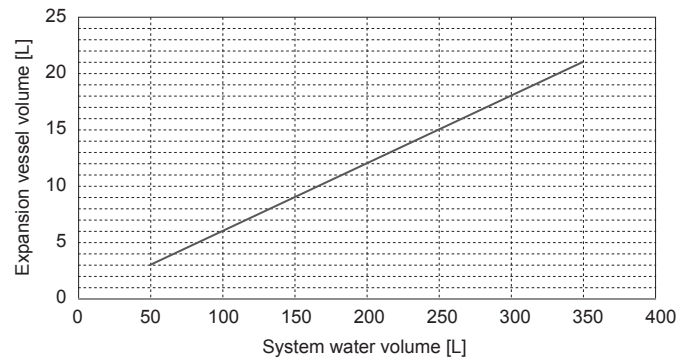
ε : at 70°C = 0.0229

P₁ : 0.1 MPa

P₂ : 0.3 MPa

*A 30% safety margin has been added.

Expansion vessel sizing



<Figure 4.3.2>

4 Installation

Water Circulation Pump Characteristics

1. Primary circuit

Pump speed can be selected by main remote controller setting (see <Figure 4.3.3 to 4.3.7>).

Adjust the pump speed setting so that the flow rate in the primary circuit is appropriate for the outdoor unit installed (see Table 4.3.1). It may be necessary to add an additional pump to the system depending on the length and lift of the primary circuit.

For outdoor unit model not listed in the <Table 4.3.1>, refer to Water flow rate range in the specification table of outdoor unit Data Book.

<Second pump >

If a second pump is required for the installation please read the following carefully. If a second pump is used in the system it can be positioned in 2 ways.

The position of the pump influences which terminal of the FTC the signal cable should be wired to. If the additional pump(s) have current greater than 1A please use appropriate relay. Pump signal cable can either be wired to TBO.1 1-2 or CNP1 but NOT both.

Option 1 (Space heating/cooling only)

If the second pump is being used for the heating circuit only then the signal cable should be wired to TBO.1 terminals 3 and 4 (OUT2). In this position the pump can be run at a different speed to the cylinder unit's in-built pump.

Option 2 (Primary circuit DHW and space heating/cooling)

If the second pump is being used in the primary circuit between the cylinder unit and the outdoor unit (Package system ONLY) then the signal cable should be wired to TBO.1 terminals 1 and 2 (OUT1). In this position the pump speed **MUST** match the speed of the cylinder unit's in-built pump.

Note: Refer to 5.2 Connecting inputs/outputs.

Outdoor heat pump unit		Water flow rate range [L/min]
Packaged model	PUZ-WM50	6.5 - 14.3
	PUZ-WM60	8.6 - 17.2
	PUZ-WM85	10.8 - 24.4
	PUZ-WM112	14.4 - 32.1
	PUZ-HWM140	17.9 - 36.9
Split model	SUZ-SWM40	6.5 - 11.4
	SUZ-SWM60	7.2 - 17.2
	SUZ-SWM80	7.8 - 21.5
	PUD-S(H)WM60	9.0 - 22.9
	PUD-S(H)WM80	9.0 - 22.9
	PUD-S(H)WM100	14.3 - 34.4
	PUD-S(H)WM120	14.3 - 34.4
	PUD-SHW140	14.3 - 34.4
	PUHZ-FRP71	11.5 - 22.9
	PUHZ-SW75	10.2 - 22.9
	PUHZ-SW100	14.4 - 32.1
	PUHZ-SW120	20.1 - 36.9
	PUHZ-SHW80	10.2 - 22.9
	PUHZ-SHW112	14.4 - 32.1
	PUHZ-SHW140	17.9 - 36.9
	PUMY-P112	17.9 - 35.8
	PUMY-P125	17.9 - 35.8
PUMY-P140	17.9 - 35.8	

<Table 4.3.1>

* If the water flow rate is less than the minimum flow rate setting of the flow sensor (default 5.0 L/min), the flow rate error will be activated.

If the water flow rate exceeds 36.9 L/min (E**T20/30 series) or 25.8 L/min (E**T17 series), the flow speed will be greater than 2.0 m/s, which could erode the pipes.

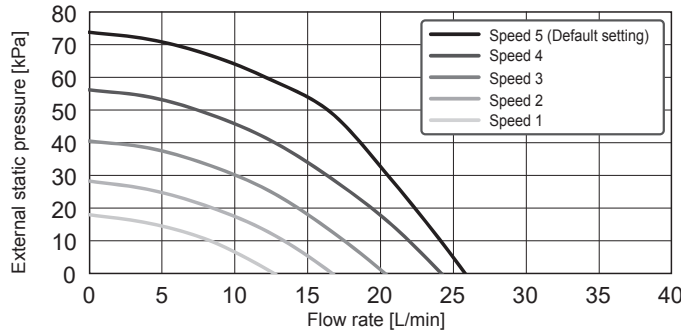
2. Sanitary circuit

Default setting: Speed 2

DHW circulation pump **MUST** be set to speed 2.

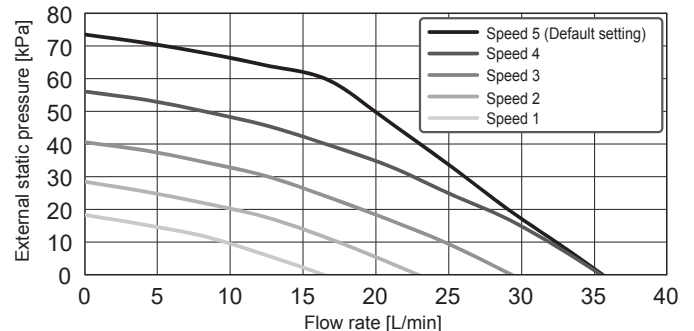
Water circulation pump characteristics

E*PT17X series



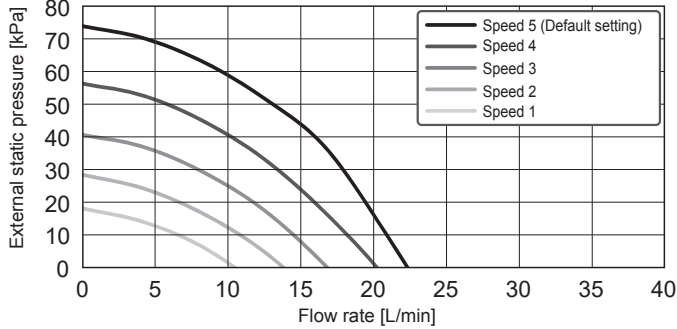
<Figure 4.3.3>

E*PT20/30X series



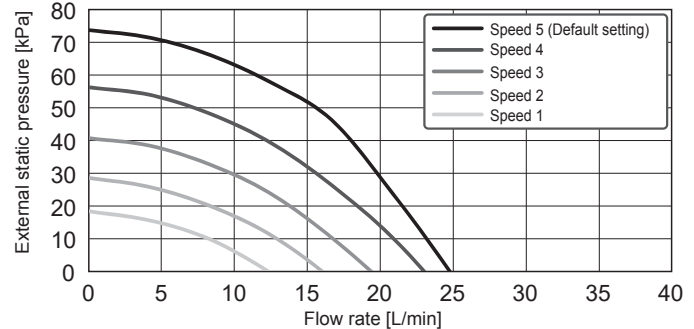
<Figure 4.3.4>

E*ST17/20D series



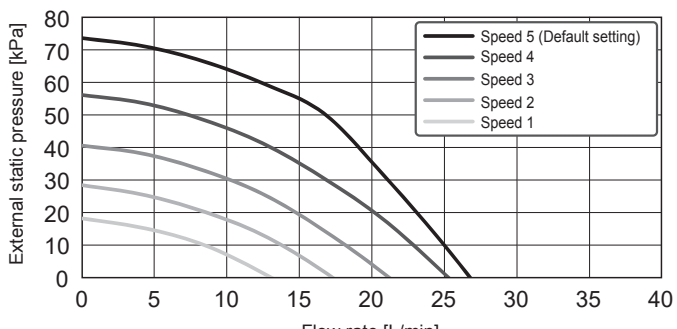
<Figure 4.3.5>

E*ST30D series



<Figure 4.3.6>

E*ST20/30C series



<Figure 4.3.7>

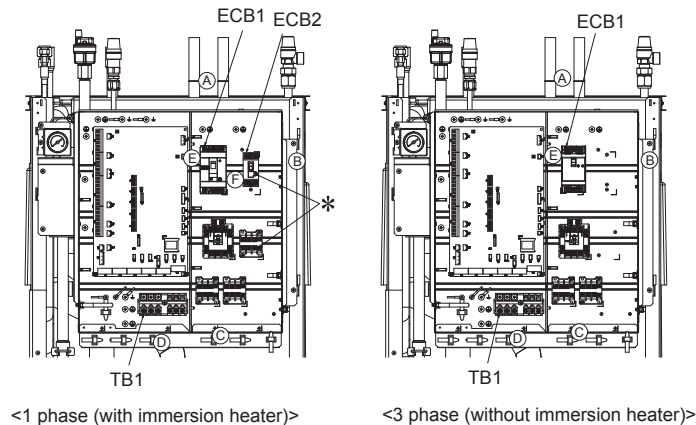
*For installation of E*PT series, set its pump speed with a pressure drop between the cylinder unit and the outdoor unit factored into the external static pressure.

4 Installation

4.4 Electrical Connection

All electrical work should be carried out by a suitably qualified technician. Failure to comply with this could lead to electrocution, fire, and death. It will also invalidate product warranty. All wiring should be according to national wiring regulations.

Breaker abbreviation	Meaning
ECB1	Earth leakage circuit breaker for booster heater
ECB2	Earth leakage circuit breaker for immersion heater
TB1	Terminal block 1



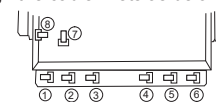
The cylinder unit can be powered in two ways.

1. Power cable is run from the outdoor unit to the cylinder unit.
2. Cylinder unit has independent power source

Connections should be made to the terminals indicated in the figures to the left below depending on the phase.

Booster heater and immersion heater should be connected independently from one another to dedicated power supplies.

- Locally supplied wiring should be inserted through the inlets situated on the top of the cylinder unit. (Refer to <Table 3.4>.)
- Wiring should be fed down the right hand side of the control and electrical box and clamped in place using clips provided.
- The wires should be inserted individually through the cable inlets as below.
 - Outputs wire
 - Indoor-Outdoor wire
 - Power line(B.H.)/ Power line(I.H.)(Option)
 - Signal input wires
- Connect the outdoor unit – cylinder unit connecting cable to TB1.
- Connect the power cable for the booster heater to ECB1.
- If immersion heater is present, connect the power cable to ECB2.



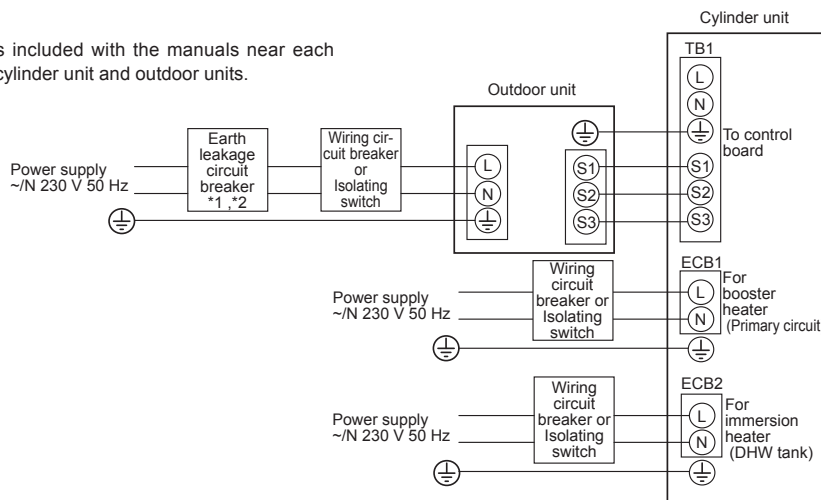
- Avoid contact between wiring and parts (*).
- Make sure that ECB1 and ECB2 are ON.
- On completion of wiring ensure main remote controller cable is connected to the relay connector.

Cylinder unit powered via outdoor unit

(If you want to use independent source, go to the Mitsubishi website.)

<1 phase>

Affix label A that is included with the manuals near each wiring diagram for cylinder unit and outdoor units.



- *1. If the installed earth leakage circuit breaker does not have an over-current protection function, install a breaker with that function along the same power line.
- *2. A breaker with at least 3.0 mm contact separation in each pole shall be provided. Use earth leakage breaker (NV). The breaker shall be provided to ensure disconnection of all active phase conductors of the supply.
- *3. Max. 45 m
If 2.5 mm² used, Max. 50 m
If 2.5 mm² used and S3 separated, Max. 80 m
- *4. The values given in the table above are not always measured against the ground value.

<Figure 4.4.1>
Electrical connections 1 phase

Description	Power supply	Capacity	Breaker	Wiring
Booster heater (Primary circuit)	~N 230 V 50 Hz	2 kW	16 A *2	2.5 mm ²
		6 kW	32 A *2	6.0 mm ²
Immersion heater (DHW tank)	~N 230 V 50 Hz	3 kW	16 A *2	2.5 mm ²

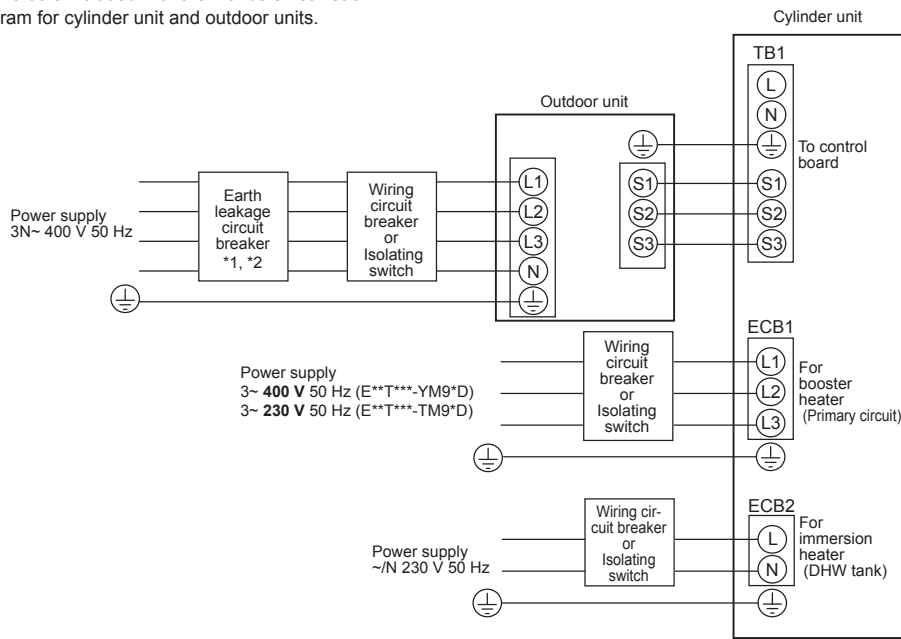
Wiring No. x size (mm ²)	Cylinder unit - Outdoor unit		
	Cylinder unit - Outdoor unit	*3	3 × 1.5 (polar)
Cylinder unit - Outdoor unit earth	*3	1 × Min. 1.5	
Circuit rating	Cylinder unit - Outdoor unit S1 - S2	*4	230 V AC
	Cylinder unit - Outdoor unit S2 - S3	*4	24 V DC

- Notes:
1. Wiring size must comply with the applicable local and national codes.
 2. Indoor unit/outdoor unit connecting cords shall not be lighter than polychloroprene sheathed flexible cord. (Design 60245 IEC 57)
Indoor unit power supply cords shall not be lighter than polychloroprene sheathed flexible cord. (Design 60227 IEC 53)
 3. Install an earth longer than other cables.
 4. Please keep enough output capacity of power supply for each heater. Insufficient power supply capacity might cause chattering.

4 Installation

<3 phase>

Affix label A that is included with the manuals near each wiring diagram for cylinder unit and outdoor units.



<Figure 4.4.2>
Electrical connections 3 phase

Description	Power supply	Capacity (Indoor unit Ref.)	Breaker	Wiring
Booster heater (Primary circuit)	3~ 400 V 50 Hz	9 kW	16 A *2	2.5 mm ²
	3~ 230 V 50 Hz	9 kW	32 A *2	6.0 mm ²
Immersion heater (DHW tank)	~N 230 V 50 Hz	3 kW	16 A *2	2.5 mm ²

Wiring No. x size (mm ²)	Cylinder unit - Outdoor unit	*3	3 × 1.5 (polar)
	Cylinder unit - Outdoor unit earth	*3	1 × Min. 1.5
Circuit rating	Cylinder unit - Outdoor unit S1 - S2	*4	230 V AC
	Cylinder unit - Outdoor unit S2 - S3	*4	24 V DC

- *1. If the installed earth leakage circuit breaker does not have an over-current protection function, install a breaker with that function along the same power line.
- *2. A breaker with at least 3.0 mm contact separation in each pole shall be provided. Use earth leakage breaker (NV).
The breaker shall be provided to ensure disconnection of all active phase conductors of the supply.
- *3. Max. 45 m
If 2.5 mm² used, Max. 50 m
If 2.5 mm² used and S3 separated, Max. 80 m
- *4. The values given in the table above are not always measured against the ground value.

- Notes:**
1. Wiring size must comply with the applicable local and national codes.
 2. Indoor unit/outdoor unit connecting cords shall not be lighter than polychloroprene sheathed flexible cord. (Design 60245 IEC 57)
Indoor unit power supply cords shall not be lighter than polychloroprene sheathed flexible cord. (Design 60227 IEC 53)
 3. Install an earth longer than other cables.
 4. Please keep enough output capacity of power supply for each heater. Insufficient power supply capacity might cause chattering.

5 System Set Up

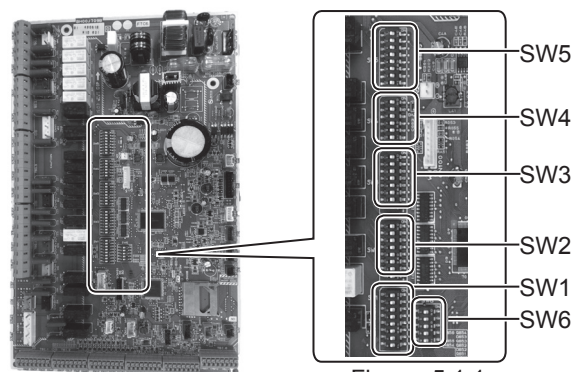
5.1 DIP Switch Functions

The DIP switch number is printed on the circuit board next to the relevant switches. The word ON is printed on the circuit board and on the DIP switch block itself. To move the switch you will need to use a pin or the corner of a thin metal ruler or similar.

DIP switch settings are listed below in Table 5.1.1.

Only an authorised installer can change DIP switch setting under one's own responsibility according to the installation condition.

Make sure to turn off both indoor unit and outdoor unit power supplies before changing the switch settings.



<Figure 5.1.1>

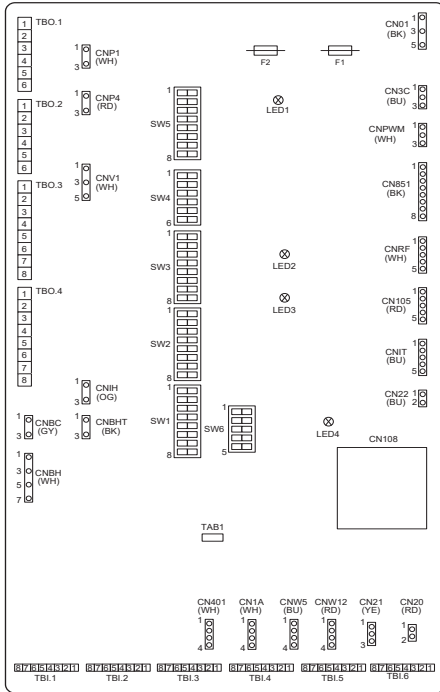
DIP switch	Function	OFF	ON	Default settings: Indoor unit model			
SW1	SW1-1 Boiler	WITHOUT Boiler	WITH Boiler	OFF			
	SW1-2 Heat pump maximum outlet water temperature	55°C	60°C	ON *1			
	SW1-3 DHW tank	WITHOUT DHW tank	WITH DHW tank	ON			
	SW1-4 Immersion heater	WITHOUT Immersion heater	WITH Immersion heater	OFF: Except EHPT20X-MHEDW ON : EHPT20X-MHEDW			
	SW1-5 Booster heater	WITHOUT Booster heater	WITH Booster heater	OFF: E**T***-M*ED* ON : E**T***-M 2/6/9*D			
	SW1-6 Booster heater function	For heating only	For heating and DHW	OFF: E**T***-M*ED* ON : E**T***-M 2/6/9*D			
	SW1-7 Outdoor unit type	Split type	Packaged type	OFF: E*ST***-M**D ON : E*PT**X-*M**D*			
	SW1-8 Wireless remote controller	WITHOUT Wireless remote controller	WITH Wireless remote controller	OFF			
SW2	SW2-1 Room thermostat 1 input (IN1) logic change	Zone1 operation stop at thermostat short	Zone1 operation stop at thermostat open	OFF			
	SW2-2 Flow switch 1 input (IN2) logic change	Failure detection at short	Failure detection at open	OFF			
	SW2-3 Booster heater capacity restriction	Inactive	Active	OFF: Except E**T***-VM2*D ON : E**T***-VM2*D			
	SW2-4 Cooling mode function	Inactive	Active	OFF: EH*T***-M**D* ON : ER*T***-M**D			
	SW2-5 Automatic switch to backup heat source operation (When outdoor unit stops by error)	Inactive	Active *2	OFF			
	SW2-6 Mixing tank	WITHOUT Mixing tank	WITH Mixing tank	OFF			
	SW2-7 2-zone temperature control	Inactive	Active *6	OFF			
	SW2-8 Flow sensor	WITHOUT Flow sensor	WITH Flow sensor	ON			
SW3	SW3-1 Room thermostat 2 input (IN6) logic change	Zone2 operation stop at thermostat short	Zone2 operation stop at thermostat open	OFF			
	SW3-2 Flow switch 2 and 3 input logic change	Failure detection at short	Failure detection at open	OFF			
	SW3-3 3-way valve type	AC motor	Stepping motor	OFF: Except E**T17X/17D/20D- *M**D* ON: E**T17X/17D/20D-*M**D			
	SW3-4 Electric energy meter	WITHOUT Electric energy meter	WITH Electric energy meter	OFF			
	SW3-5 Heating mode function *3	Inactive	Active	ON			
	SW3-6 2-zone valve ON/OFF control	Inactive	Active	OFF			
	SW3-7 Heat exchanger for DHW	Coil in tank	External plate HEX	ON			
	SW3-8 Heat meter	WITHOUT Heat meter	WITH Heat meter	OFF			
SW4	SW4-1	—	—	OFF			
	SW4-2	—	—	OFF			
	SW4-3	—	—	OFF			
	SW4-4 Indoor unit only operation (during installation work) *4	Inactive	Active	OFF			
	SW4-5 Emergency mode (Heater only operation)	Normal	Emergency mode (Heater only operation)	OFF *5			
	SW4-6 Emergency mode (Boiler operation)	Normal	Emergency mode (Boiler operation)	OFF *5			
SW5	SW5-1	—	—	OFF			
	SW5-2 Advanced auto adaptation	Inactive	Active	ON			
	SW5-3	Capacity code					
	SW5-4		SW5-3	SW5-4	SW5-5	SW5-6	SW5-7
	SW5-5	E**T**C-*M**D	ON	ON	ON	ON	OFF
	SW5-6	E**T**D-*M**D	ON	OFF	OFF	ON	OFF
	SW5-7	E**T**X-*M**D*	OFF	OFF	OFF	OFF	OFF
	SW5-8	—	—	—	—	—	OFF
SW6	SW6-1	—	—	OFF			
	SW6-2	—	—	OFF			
	SW6-3 Pressure sensor	Inactive	Active	OFF: Except E*ST**D-*M**D ON: E*ST**D-*M**D			
	SW6-4 Analog output signal (0-10 V)	Inactive	Active	OFF			
	SW6-5	—	—	—	OFF		

<Table 5.1.1>

- Notes:**
- *1. When the cylinder unit is connected with a PUMY-P outdoor unit of which maximum outlet water temperature is 55°C, DIP SW1-2 must be changed to OFF.
 - *2. External output (OUT11) will be available. For safety reasons, this function is not available for certain errors. (In that case, system operation must be stopped and only the water circulation pump keeps running.)
 - *3. This switch functions only when the cylinder unit is connected with a PUHZ-FRP outdoor unit. When another type of outdoor unit is connected, the heating mode function is active regardless of the fact that this switch is ON or OFF.
 - *4. Space heating and DHW can be operated only in indoor unit, like an electric heater. (Refer to "5.4 Indoor unit only operation".)
 - *5. If emergency mode is no longer required, return the switch to OFF position.
 - *6. Active only when SW3-6 is set to OFF.

5 System Set Up

5.2 Connecting inputs/outputs



<Figure 5.2.1>

Wiring specification and local supply parts

Item	Name	Model and specifications
Signal input function	Signal input wire	Use sheathed vinyl coated cord or cable. Max. 30 m Wire type: CV, CVS or equivalent Wire size: Stranded wire 0.13 mm ² to 0.52 mm ² Solid wire: ø0.4 mm to ø0.8 mm
	Switch	Non-voltage "a" contact signals Remote switch: minimum applicable load 12 V DC, 1 mA

Note:

Stranded wire should be processed with insulation-covered bar terminal (DIN46228-4 standard compatible type).

Signal inputs

Name	Terminal block	Connector	Item	OFF (Open)	ON (Short)
IN1	TBI.1 7-8	—	Room thermostat 1 input *1	Refer to SW2-1 in <5.1 DIP Switch Functions>.	
IN2	TBI.1 5-6	—	Flow switch 1 input	Refer to SW2-2 in <5.1 DIP Switch Functions>.	
IN3	TBI.1 3-4	—	Flow switch 2 input (Zone1)	Refer to SW3-2 in <5.1 DIP Switch Functions>.	
IN4	TBI.1 1-2	—	Demand control input	Normal	Heat source OFF/ Boiler operation *3
IN5	TBI.2 7-8	—	Outdoor thermostat input *2	Standard operation	Heater operation/ Boiler operation *3
IN6	TBI.2 5-6	—	Room thermostat 2 input *1	Refer to SW3-1 in <5.1 DIP Switch Functions>.	
IN7	TBI.2 3-4	—	Flow switch 3 input (Zone2)	Refer to SW3-2 in <5.1 DIP Switch Functions>.	
IN8	TBI.3 7-8	—	Electric energy meter 1	*4	
IN9	TBI.3 5-6	—	Electric energy meter 2		
IN10	TBI.2 1-2	—	Heat meter		
IN11	TBI.3 3-4	—	Smart grid ready input	*5	
IN12	TBI.3 1-2	—			
INA1	TBI.4 1-3	CN1A	Flow sensor	—	—

*1. Set the ON/OFF cycle time of the room thermostat for 10 minutes or more; otherwise the compressor may be damaged.

*2. If using outdoor thermostat for controlling operation of heaters, the lifetime of the heaters and related parts may be reduced.

*3. To turn on the boiler operation, use the main remote controller to select "Boiler" in "External input setting" screen in the service menu.

*4. Connectable electric energy meter and heat meter

- Pulse type Voltage free contact for 12 VDC detection by FTC (TBI.2 1pin, TBI.3 5 and 7 pins have a positive voltage.)
- Pulse duration Minimum ON time: 40 ms
Minimum OFF time: 100 ms
- Possible unit of pulse 0.1 pulse/kWh 1 pulse/kWh 10 pulse/kWh
100 pulse/kWh 1000 pulse/kWh

Those values can be set by the main remote controller. (Refer to the menu tree in "Main remote controller".)

*5. As for the SG ready, refer to "5.5 Smart grid ready".

Thermistor inputs

Name	Terminal block	Connector	Item	Optional part model
TH1	—	CN20	Thermistor (Room temp.) (Option)	PAC-SE41TS-E
TH2	—	CN21	Thermistor (Ref. liquid temp.)	—
THW1	—	CNW12 1-2	Thermistor (Flow water temp.)	—
THW2	—	CNW12 3-4	Thermistor (Return water temp.)	—
THW5A	—	CNW5 1-2	Thermistor (DHW tank upper water temp.)	—
THW5B	—	CNW5 3-4	Thermistor (DHW tank lower water temp.)	—
THW6	TBI.5 7-8	—	Thermistor (Zone1 flow water temp.) (Option) *1	PAC-TH011-E
THW7	TBI.5 5-6	—	Thermistor (Zone1 return water temp.) (Option) *1	
THW8	TBI.5 3-4	—	Thermistor (Zone2 flow water temp.) (Option) *1	PAC-TH011-E
THW9	TBI.5 1-2	—	Thermistor (Zone2 return water temp.) (Option) *1	
THWB1	TBI.6 7-8	—	Thermistor (Boiler flow water temp.) (Option) *1	PAC-TH012HT-E(5 m)/
THW10	TBI.6 5-6	—	Thermistor (Mixing tank water temp.) (Option) *1	PAC-TH012HTL-E(30 m)

Ensure to wire thermistor wirings away from the power line and/or OUT1 to 16 wirings.

*1. The maximum length of the thermistor wiring is 30 m.

The length of the optional thermistors are 5 m. If you need to splice and extend the wirings, following points must be carried out.

- 1) Connect the wirings by soldering.
- 2) Insulate each connecting point against dust and water. Stranded wire should be processed with insulation-covered bar terminal (DIN46228-4 standard compatible type).

5 System Set Up

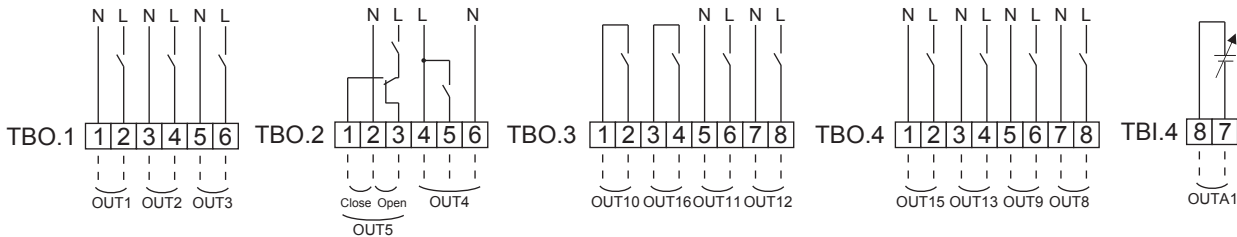
Outputs

Name	Terminal block	Connector	Item	OFF	ON	Signal/Max current	Max. total current
OUT1	TBO.1 1-2	CNP1	Water circulation pump 1 output (Space heating/cooling & DHW)	OFF	ON	230 V AC 1.0 A Max. (Inrush current 40 A Max.)	4.0 A (a)
OUT2	TBO.1 3-4	—	Water circulation pump 2 output (Space heating/cooling for Zone1)	OFF	ON	230 V AC 1.0 A Max. (Inrush current 40 A Max.)	
OUT3	TBO.1 5-6	—	Water circulation pump 3 output (Space heating/cooling for Zone2) *1 2-way valve 2b output *2	OFF	ON	230 V AC 1.0 A Max. (Inrush current 40 A Max.)	
OUT14	—	CNP4	Water circulation pump 4 output (DHW)	OFF	ON	230 V AC 1.0 A Max. (Inrush current 40 A Max.)	
OUT4	TBO.2 4-6	CNV1	3-way valve (2-way valve) output	Heating	DHW	230 V AC 0.1 A Max.	3.0 A (b)
	—	CN851	3-way valve output				
OUT5	TBO.2 1-2 TBO.2 2-3	—	Mixing valve output *1	Stop	Close Open	230 V AC 0.1 A Max.	
OUT6	—	CNBH 1-3	Booster heater 1 output	OFF	ON	230 V AC 0.5 A Max. (Relay)	
OUT7	—	CNBH 5-7	Booster heater 2 output	OFF	ON	230 V AC 0.5 A Max. (Relay)	
OUT8	TBO.4 7-8	—	Cooling signal output	OFF	ON	230 V AC 0.5 A Max.	
OUT9	TBO.4 5-6	CNIH	Immersion heater output	OFF	ON	230 V AC 0.5 A Max. (Relay)	
OUT11	TBO.3 5-6	—	Error output	Normal	Error	230 V AC 0.5 A Max.	
OUT12	TBO.3 7-8	—	Defrost output	Normal	Defrost	230 V AC 0.5 A Max.	
OUT13	TBO.4 3-4	—	2-way valve 2a output *2	OFF	ON	230 V AC 0.1 A Max.	
OUT15	TBO.4 1-2	—	Comp ON signal	OFF	ON	230 V AC 0.5 A Max.	
OUT10	TBO.3 1-2	—	Boiler output	OFF	ON	non-voltage contact ·220-240 V AC (30 V DC) ·0.5 A or less ·10 mA 5 V DC or more	—
OUT16	TBO.3 3-4	—	Heating/Cooling thermo ON signal	OFF	ON	0.5 A or less ·10 mA 5 V DC or more	—
OUTA1	TBI.4 7-8	—	Analog output	0 - 10 V	0 - 10 V	DC 5 mA max.	—

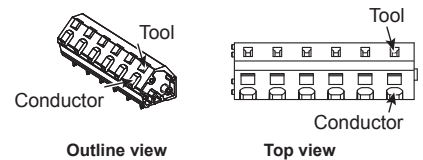
Do not connect to the terminals that are indicated as “—” in the “Terminal block” field.

*1 For 2-zone temperature control.

*2 For 2-zone valve ON/OFF control.



How to use TBO.1 to 4



Connect them using either way as shown above.

<Figure 5.2.2>

Wiring specification and local supply parts

Item	Name	Model and specifications
External output function	Outputs wire	Use sheathed vinyl coated cord or cable. Max. 30 m Wire type: CV, CVS or equivalent Wire size: Stranded wire 0.25 mm ² to 1.5 mm ² Solid wire: ϕ 0.57 mm to ϕ 1.2 mm

Notes:

- When the cylinder unit is powered via outdoor unit, the maximum grand total current of (a)+(b) is 3.0 A.
- Do not connect multiple water circulation pumps directly to each output (OUT1, OUT2, and OUT3). In such a case, connect them via (a) relay(s).
- Do not connect water circulation pumps to both TBO.1 1-2 and CNP1 at the same time.
- Connect an appropriate surge absorber to OUT10 (TBO.3 1-2) depending on the load at site.
- Stranded wire should be processed with insulation-covered bar terminal (DIN46228-4 standard compatible type).
- Use the same thing as the Signal input wire for OUTA1 wiring.

5.3 Wiring for 2-zone temperature control

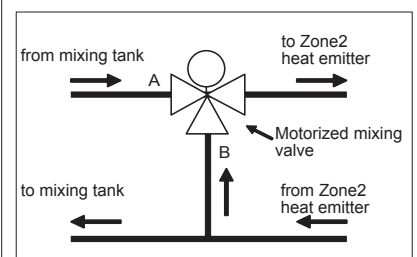
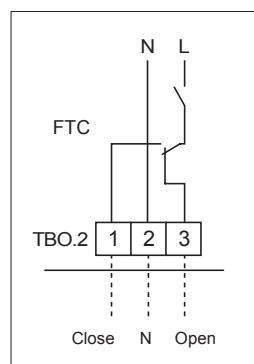
Connect the pipe work and locally supplied parts according to the relevant circuit diagram shown “Local system” in Section 3, of this manual.

<Mixing valve>

Connect the signal line to open Port A (hot water inlet port) to TBO. 2-3 (Open), the signal line to open Port B (cold water inlet port) to TBO. 2-1 (Close), and the neutral terminal wire to TBO. 2-2 (N).

<Thermistor>

- Do not install the thermistors on the mixing tank.
- Install the Zone2 flow temp. thermistor (THW8) near the mixing valve.
- The maximum length of the thermistor wiring is 30 m.
- The length of the optional thermistors are 5 m. If you need to splice and extend the wirings, following points must be carried out.
 - Connect the wirings by soldering.
 - Insulate each connecting point against dust and water.



5 System Set Up

5.4 Indoor unit only operation (during installation work)

In the case when DHW or heating operation is required prior to connection of the outdoor unit; i.e. during installation work, an electric heater in indoor unit (*1) can be used.

*1 Model with electric heater only.

1. To start operation

- Check if the indoor unit power supply is OFF, and turn DIP switch 4-4 and 4-5 ON.
- Turn ON the indoor unit power supply.

2. To end operation*2

- Turn OFF the indoor unit power supply.
- Turn DIP switch 4-4 and 4-5 OFF.

*2 When the indoor unit only operation is ended, ensure to check over the settings after outdoor unit is connected.

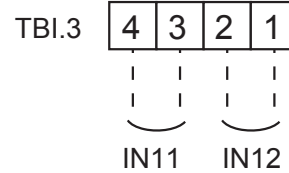
Note:

Prolonged running of this operation may affect the life of the electric heater.

5.5 Smart grid ready

In DHW or heating operation, the commands in the table below can be used.

IN11	IN12	Meaning
OFF (open)	OFF (open)	Normal operation
ON (short)	OFF (open)	Switch-on recommendation
OFF (open)	ON (short)	Switch-off command
ON (short)	ON (short)	Switch-on command



en 5.6 Using SD memory card

The cylinder unit is equipped with an SD memory card interface in FTC.

Using an SD memory card can simplify main remote controller settings and can store operating logs. *1

*1 To edit main remote controller settings or to check operating data, an Ecodan service tool (for use with PC) is required.

<Handling precautions>

- (1) Use an SD memory card that complies with the SD standards. Check that the SD memory card has a logo on it of those shown to the right.
- (2) SD memory cards to the SD standards include SD, SDHC, mini SD, micro SD, and micro SDHC memory cards. The capacities are available up to 32 GB. Choose that with a maximum allowable temperature of 55°C.
- (3) When the SD memory card is a mini SD, mini SDHC, micro SD, or micro SDHC memory card, use an SD memory card converter adapter.
- (4) Before writing to the SD memory card, release the write-protect switch.



- (5) Before inserting or ejecting an SD memory card, make sure to power off the system. If an SD memory card is inserted or ejected with the system powered on, the stored data could be corrupted or the SD memory card be damaged. *An SD memory card is live for a short duration after the system is powered off. Before insertion or ejection wait until the LED lamps on the FTC control board are all off.
- (6) The read and write operations have been verified using the following SD memory cards, however, these operations are not always guaranteed as the specifications of these SD memory cards could change.

Manufacturer	Model	Tested in
Verbatim	#44015	Mar. 2012
SanDisk	SDSDB-002G-B35	Oct. 2011
Panasonic	RP-SDP04GE1K	Oct. 2011
Arvato	2GB PS8032 TSB 24nm MLC	Jun. 2012
Arvato	2GB PS8035 TSB A19nm MLC	Jul. 2014
SanDisk	SDSDUN-008G-G46	Oct. 2016
Verbatim	#43961	Oct. 2016
Verbatim	#44018	Oct. 2016
VANTASTEK	VSDHC08	Sep. 2017

Before using a new SD memory card (including the card that comes with the unit), always check that the SD memory card can be safely read and written to by the FTC controller.

<How to check read and write operations>

- a) Check for correct wiring of power supply to the system. For more details, refer to section 4.5.
(Do not power on the system at this point.)
- b) Insert an SD memory card.
- c) Power on the system.
- d) The LED4 lamp lights if the read and write operations are successfully completed. If the LED4 lamp continues blinking or does not light, the SD memory card cannot be read or written to by the FTC controller.

- (7) Make sure to follow the instruction and the requirement of the SD memory card's manufacturer.
- (8) Format the SD memory card if determined unreadable in step (6). This could make it readable.
Download an SD card formatter from the following site.
SD Association homepage: <https://www.sdcard.org/home/>
- (9) FTC supports FAT file system but not NTFS file system.
- (10) Mitsubishi Electric is not liable for any damages, in whole or in part, including failure of writing to an SD memory card, and corruption and loss of the saved data, or the like. Back up saved data as necessary.
- (11) Do not touch any electronic parts on the FTC control board when inserting or ejecting an SD memory card, or else the control board could fail.

Logos
Capacities
2 GB to 32 GB *2
SD speed classes
All

- The SD Logo is a trademark of SD-3C, LLC.
The mini SD logo is a trademark of SD-3C, LLC.
The micro SD logo is a trademark of SD-3C, LLC.

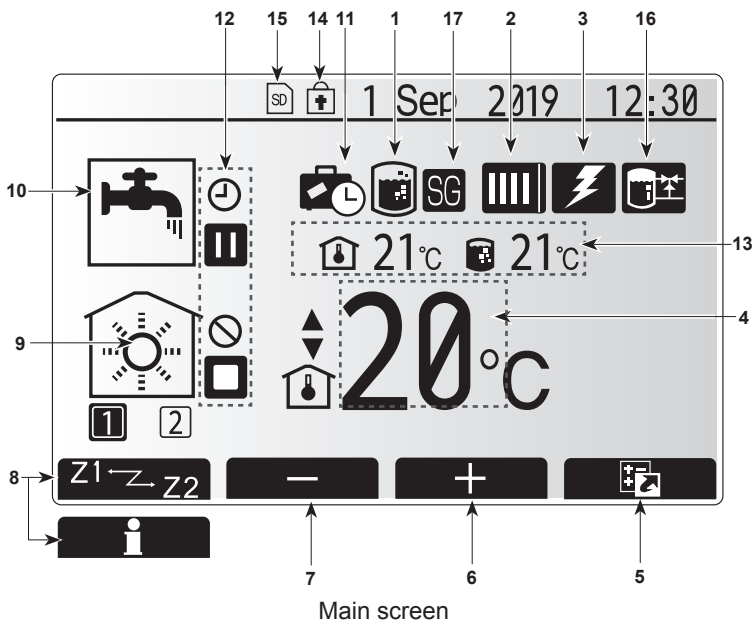
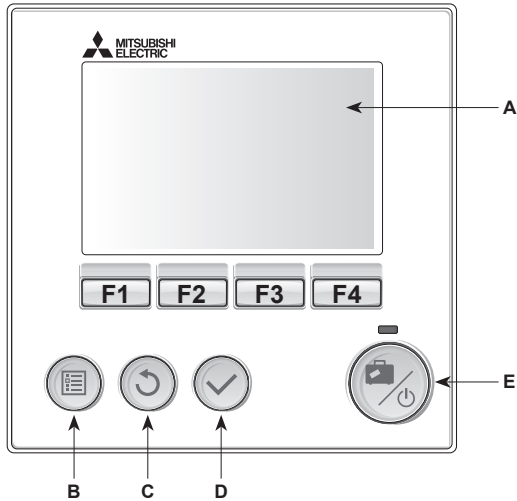
*2 A 2 GB SD memory card stores up to 30 days of operation logs.

5 System Set Up

5.7 Main remote controller

To change the settings of your heating/cooling system please use the main remote controller located on the front panel of the cylinder unit or hydrobox. The following is a guide to viewing the main settings. Should you require more information please contact your installer or local Mitsubishi Electric dealer.

Cooling mode is available for ERS series only. However, Cooling mode is not available when the indoor unit is connected to PUHZ-FRP.



<Main remote controller parts>

Letter	Name	Function
A	Screen	Screen in which all information is displayed
B	Menu	Access to system settings for initial set up and modifications.
C	Back	Return to previous menu.
D	Confirm	Used to select or save. (Enter key)
E	Power/Holiday	If system is switched off pressing once will turn system ON. Pressing again when system is switched on will enable Holiday Mode. Holding the button down for 3 seconds will turn the system off. (*1)
F1-4	Function keys	Used to scroll through menu and adjust settings. Function is determined by the menu screen visible on screen A.

*1

When the system is switched off or the power supply is disconnected, the cylinder unit protection functions (e.g. freeze stat. function) will NOT operate. Please beware that without these safety functions enabled the cylinder unit may potentially become exposed to damage.

<Main screen icons>

	Icon	Description
1	Legionella prevention	When this icon is displayed 'Legionella prevention mode' is active.
2	Heat pump	'Heat pump' is running.
		Defrosting
		Emergency heating
		'Quiet mode' is activated.
3	Electric heater	When this icon is displayed the 'Electric heaters' (booster or immersion heater) are in use.
4	Target temperature	Target flow temperature
		Target room temperature
		Compensation curve
5	OPTION	Pressing the function button below this icon will display the option screen.
6	+	Increase desired temperature.
7	-	Decrease desired temperature.
8	Z1~Z2	Pressing the function button below this icon switches between Zone1 and Zone2.
	Information	Pressing the function button below this icon displays the information screen.
9	Space heating/cooling mode	Heating mode Zone1 or Zone2
		Cooling mode Zone1 or Zone2
10	DHW mode	Normal or ECO mode
11	Holiday mode	When this icon is displayed 'Holiday mode' activated.
12	⌚	Timer
	🚫	Prohibited
	🌐	Server control
	⏸	Stand-by
	⏹	Stand-by (*2)
	⏹	Stop
	▶	Operating
13	Current temperature	Current room temperature
		Current water temperature of DHW tank
14	🔒	The Menu button is locked or the switching of the operation modes between DHW and Heating operations are disabled in the Option screen. (*3)
15	SD	SD memory card is inserted. Normal operation.
		SD memory card is inserted. Abnormal operation.
16	Buffer tank control	When this icon is displayed 'Buffer tank control' is active.
17	Smart grid ready	When this icon is displayed, 'Smart grid ready' is active.

*2 This unit is in Stand-by whilst other indoor unit(s) is in operation by priority.

*3 To lock or unlock the Menu, press the BACK and CONFIRM keys simultaneously for 3 seconds.

5 System Set Up

■ [Initial setting wizard]

When the main remote controller is switched on for the first time, the screen automatically goes to Language setting screen , Date/Time setting screen and Main settings menu screen in order. Enter the desired number using the function keys and press CONFIRM.

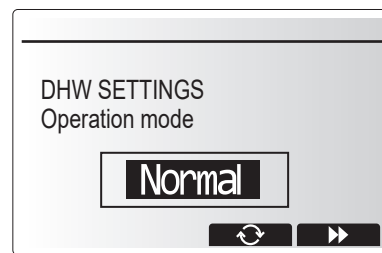
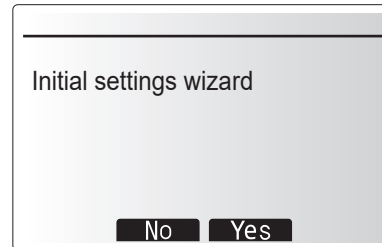
Note:

<HEATER CAPACITY RESTRICTION>

This setting restricts the booster heater capacity. It is NOT possible to change the setting after starting up.

If you do not have any special requirements (such as building regulations) in your country, skip this setting (select "No").

- [Hot water (DHW/Legionella)]
- [Heating]/[Cooling]
- [Operation (ON/Prohibited/Timer)]
- [Pump speed]
- [Heat pump flow rate range]
- [Mixing valve control]
- [HEATER CAPACITY RESTRICTION]



en

■ Main Settings Menu

The main settings menu can be accessed by pressing the MENU button. To reduce the risk of untrained end users altering the settings accidentally there are two access levels to the main settings; and the service section menu is password protected.

User Level – Short press

If the MENU button is pressed once for a short time the main settings will be displayed but without the edit function. This will enable the user to view current settings but **NOT** change the parameters.

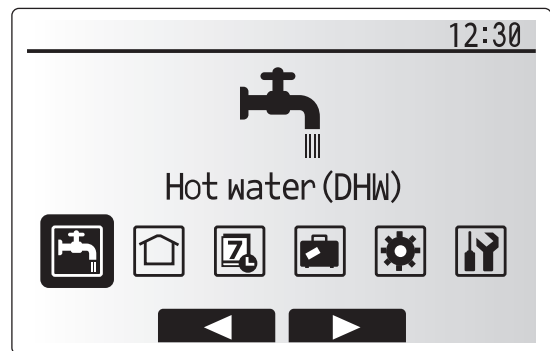
Installer Level – Long press

If the MENU button is pressed down for 3 seconds the main settings will be displayed with all functionality available.

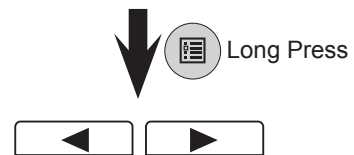
The color of ◀▶ buttons is inverted, as per figure on right. <Fig. 5.7.1>

The following items can be viewed and/or edited (dependent on access level).

- [Domestic Hot water (DHW)]
- [Heating/Cooling]
- [Schedule timer]
- [Holiday mode]
- [Initial settings]
- [Service (Password protected)]



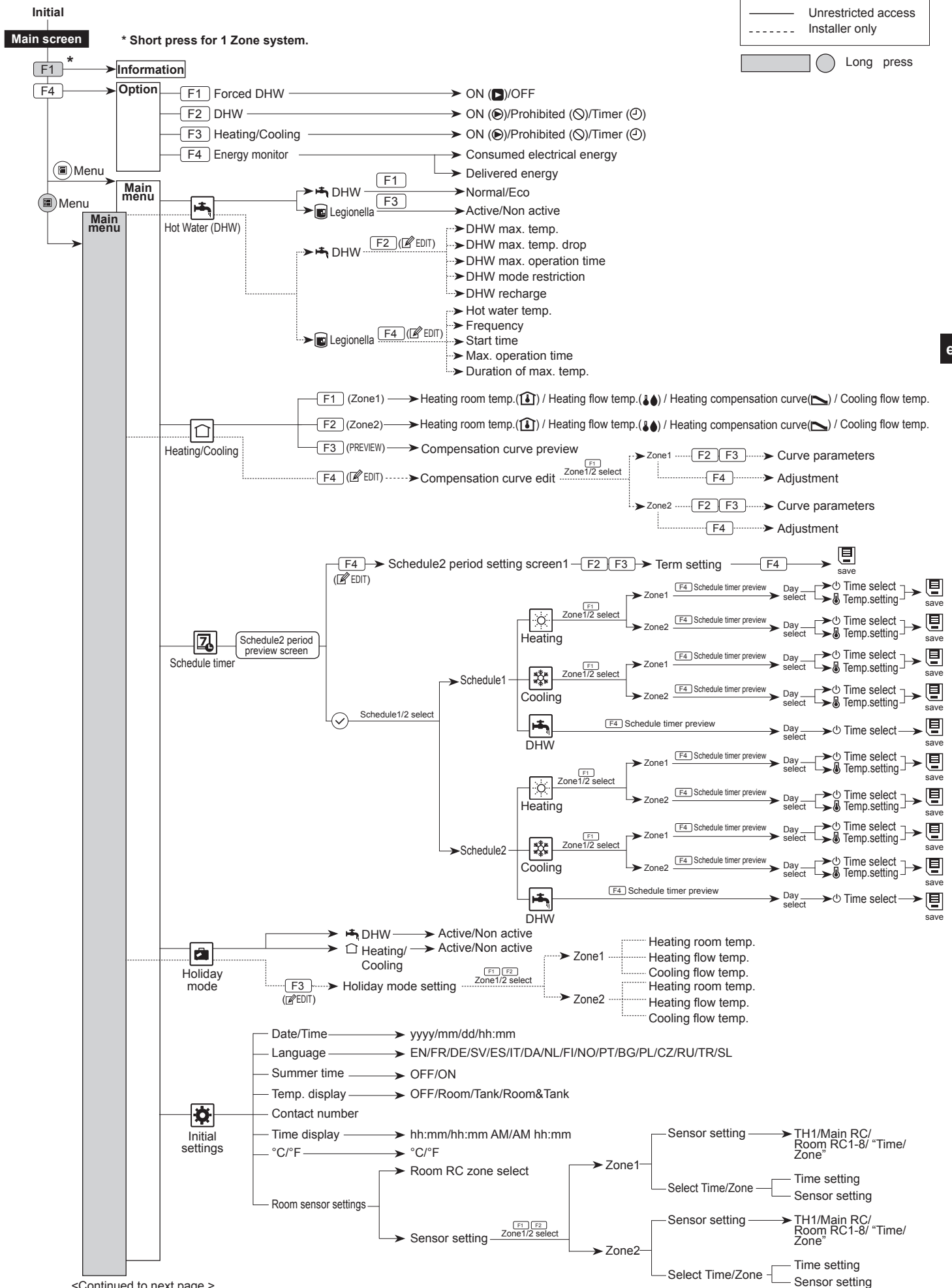
Main menu



<Fig 5.7.1>

5 System Set Up

<Main Controller Menu Tree>

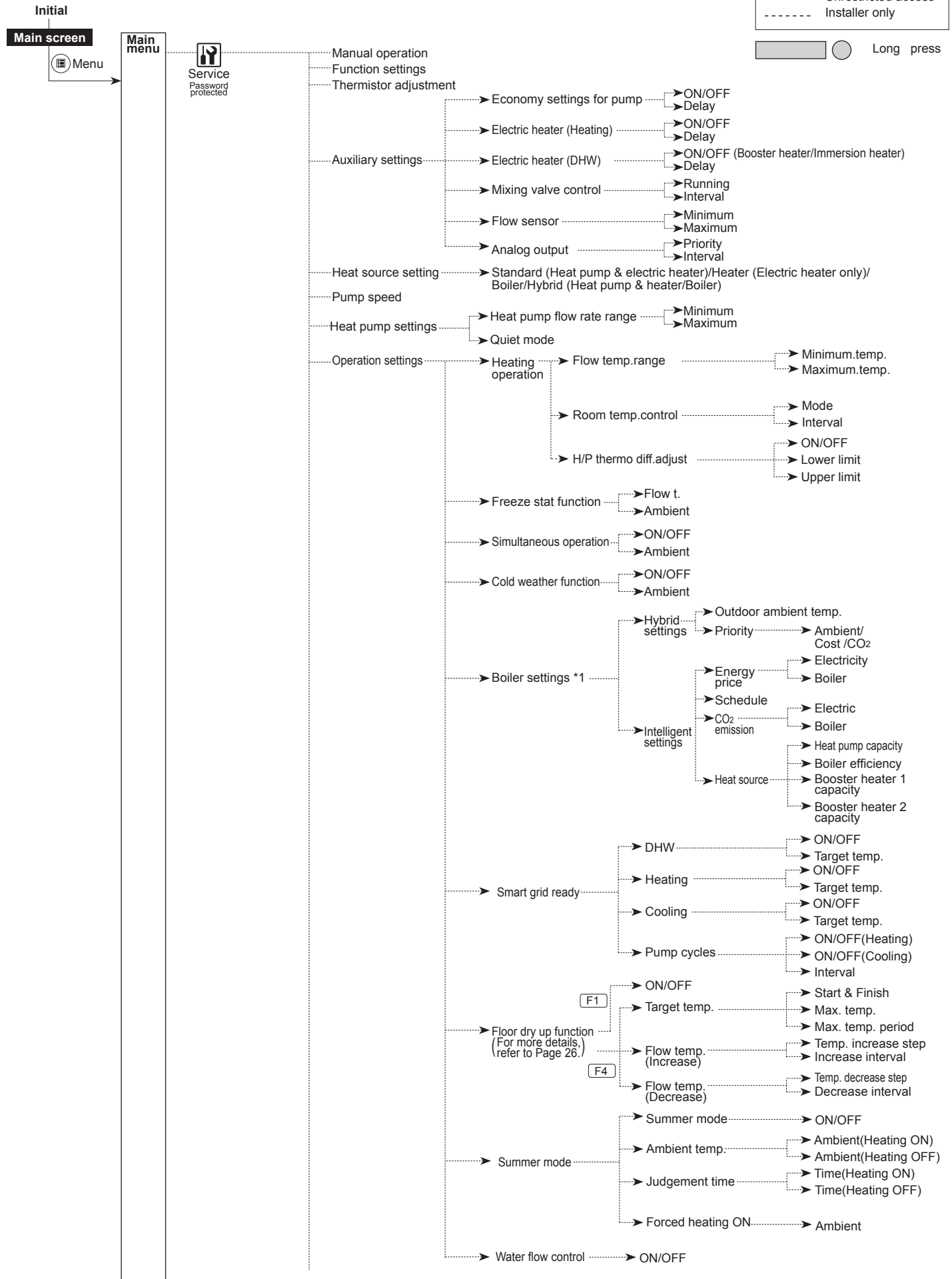
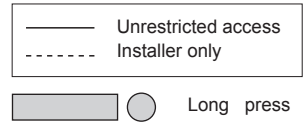


<Continued to next page.>

5 System Set Up

<Continued from the previous page.>

<Main Controller Menu Tree>

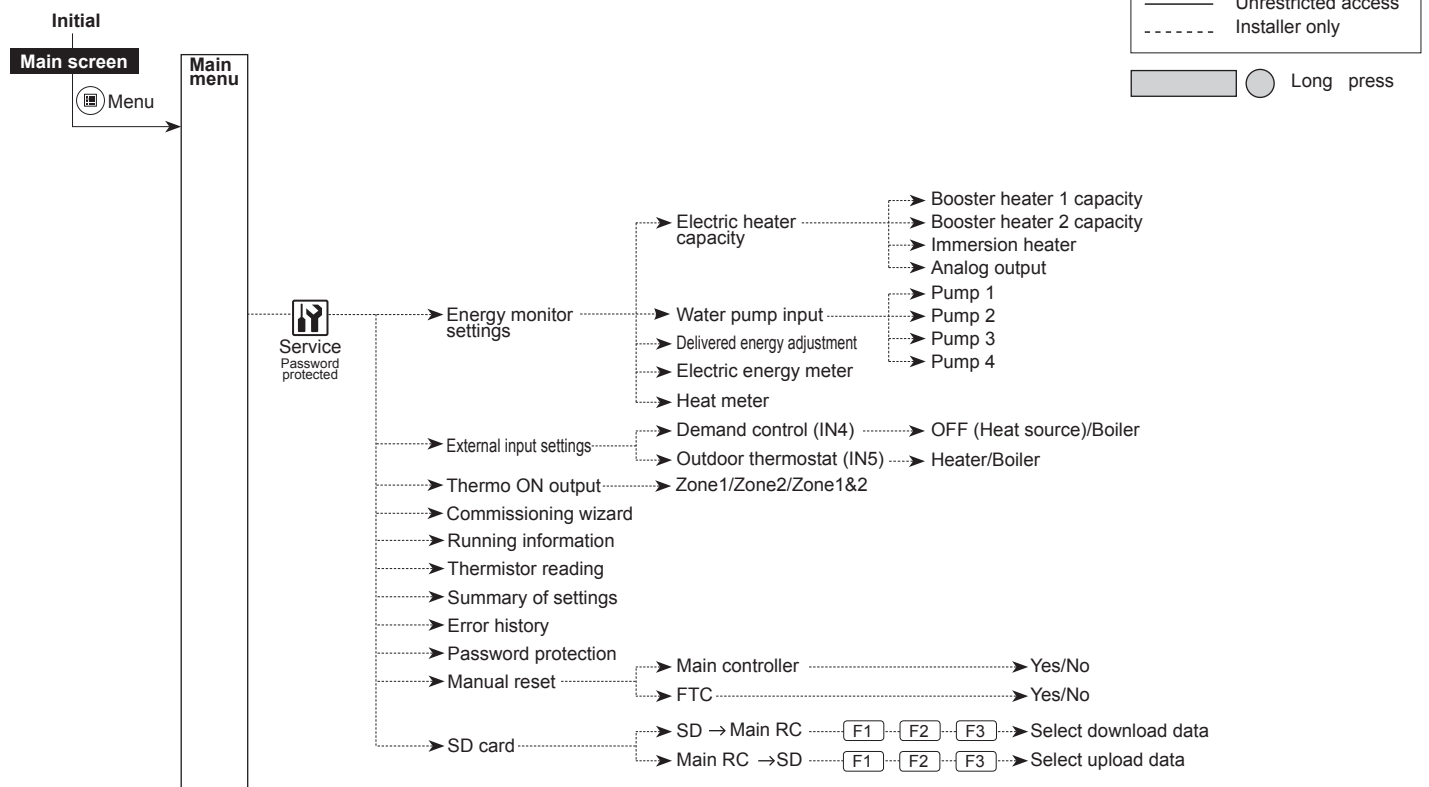


*1 For more details, refer to the installation manual of PAC-TH012HT-(L)E.

5 System Set Up

<Continued from the previous page.>

<Main Controller Menu Tree>



Domestic Hot Water (DHW)/Legionella Prevention

The domestic hot water and legionella prevention menus control the operation of DHW tank heat ups.

<DHW mode settings>

1. Highlight the hot water icon and press CONFIRM.
2. Use button F1 to switch between Normal and ECO heating modes.
3. To edit the mode, press down the MENU button for 3 seconds, then select "hot water".
4. Press F2 key to display the Hot Water (DHW) SETTING menu.
5. Use F2 and F3 keys to scroll through the menu selecting each component in turn by pressing CONFIRM. See the table below for description of each setting.
6. Enter the desired number using the function keys and press CONFIRM.



Menu subtitle	Function	Range	Unit	Default value
DHW max. temp.	Desired temperature of stored hot water	40 - 60	°C	50
DHW max. temp. drop	Difference in temperature between DHW max. temp. and the temperature at which DHW mode restarts	5 - 30 *	°C	10
DHW max. operation time	Max. time allowed for stored water heating DHW mode	30 - 120	min	60
DHW mode restriction	The time period after DHW mode when space heating has priority over DHW mode temporarily preventing further stored water heating (Only when DHW max. operation time has passed.)	30 - 120	min	30

* When the DHW max. temp is set over 55°C, the temperature at which DHW mode restarts must be less than 50°C to protect the device.

<Eco mode>

DHW mode can run in either 'Normal' or 'Eco' mode. Normal mode will heat the water in the DHW tank more quickly using the full power of the heat pump. Eco mode takes a little longer to heat the water in the DHW tank but the energy used is reduced. This is because heat pump operation is restricted using signals from the FTC based on measured DHW tank temperature.

Note: The actual energy saved in Eco mode will vary according to outdoor ambient temperature.

<[DHW recharge]>

Select the amount of DHW. If you need much hot water, select LARGE, but increase operating costs.

Return to the DHW/legionella prevention menu.

en

5 System Set Up

Legionella Prevention Mode settings (LP mode)

1. Use button F3 to choose legionella mode active YES/NO.
2. To edit the legionella function, press down the MENU button for 3 seconds and select "hot water", then press F4 key.
3. Use F1 and F2 keys to scroll through the menu selecting each subtitle in turn by pressing CONFIRM. See the table below for description of each setting.
4. Enter the desired number using the function keys and press CONFIRM.

During Legionella Prevention Mode the temperature of the stored water is increased above 60°C to inhibit legionella bacteria growth. It is strongly recommended that this is done at regular intervals. Please check local regulations for the recommended frequency of heat ups.

Please note that LP mode uses the assistance of electric heaters to supplement the energy input of the heat pump. Heating water for long periods of time is not efficient and will increase running costs. The installer should give careful consideration to the necessity of legionella prevention treatment whilst not wasting energy by heating the stored water for excessive time periods. The end user should understand the importance of this feature.
ALWAYS COMPLY WITH LOCAL AND NATIONAL GUIDANCE FOR YOUR COUNTRY REGARDING LEGIONELLA PREVENTION.

Note: When failures occur on the cylinder unit, the LP mode may not function normally.

Menu subtitle	Function	Range	Unit	Default value
Hot water temp.	Desired temp. of stored hot water	60–70	°C	65
Frequency	Time between LP mode DHW tank heat ups	1–30	day	15
Start time	Time when LP mode will begin	0:00–23:00	-	03:00
Max. operation time	Maximum time allowed for LP mode DHW tank heat	1–5	hour	3
Duration of max. temp.	The time period after LP mode desired water temp. has been reached	1–120	min	30

[Initial Settings]

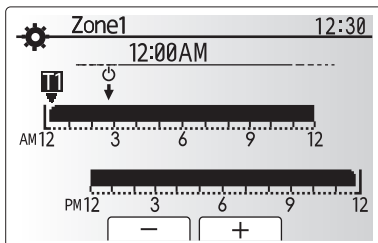
From the Initial settings menu the installer can set the following.

- [Date/Time] *Be sure to set it to the local standard time.
- [Language]
- [Summer time]
- [Temp. display]
- [Contact number]
- [Time display]
- [°C/°F]
- [Room sensor settings]

Follow the procedure described in General Operation for the set up operation.

<[Room sensor settings]>

For room sensor settings it is important to choose the correct room sensor depending on the heating mode the system will operate in.



Time/Zone schedule setting screen

Menu subtitle	Description																				
Room RC zone select	When 2-zone temperature control is active and wireless remote controllers are available, from Room RC zone select screen, select zone no. to assign to each main remote controller.																				
Sensor setting	From sensor setting screen, select a room sensor to be used for monitoring the room temperature from Zone1 and Zone2 separately.																				
	<table border="1"> <thead> <tr> <th rowspan="2">Control option (Website manual)</th> <th colspan="2">Corresponding initial settings room sensor</th> </tr> <tr> <th>Zone1</th> <th>Zone2</th> </tr> </thead> <tbody> <tr> <td>A</td> <td>Room RC 1-8 (one each for Zone1 and Zone2)</td> <td>*1</td> </tr> <tr> <td>B</td> <td>TH1</td> <td>*1</td> </tr> <tr> <td>C</td> <td>Main remote controller</td> <td>*1</td> </tr> <tr> <td>D</td> <td>*1</td> <td>*1</td> </tr> <tr> <td>When different room sensors are used according to the time schedule</td> <td>Time/ Zone*2</td> <td>*1</td> </tr> </tbody> </table>	Control option (Website manual)	Corresponding initial settings room sensor		Zone1	Zone2	A	Room RC 1-8 (one each for Zone1 and Zone2)	*1	B	TH1	*1	C	Main remote controller	*1	D	*1	*1	When different room sensors are used according to the time schedule	Time/ Zone*2	*1
Control option (Website manual)	Corresponding initial settings room sensor																				
	Zone1	Zone2																			
A	Room RC 1-8 (one each for Zone1 and Zone2)	*1																			
B	TH1	*1																			
C	Main remote controller	*1																			
D	*1	*1																			
When different room sensors are used according to the time schedule	Time/ Zone*2	*1																			
	<p>*1. Not specified (if a locally-supplied room thermostat is used) Room RC 1-8 (one each for Zone1 and Zone2) (if a wireless remote controller is used as a room thermostat)</p> <p>*2. From sensor setting screen, select Time/Zone to make it possible to use different room sensors according to the time schedule set in the Select Time/ Zone menu. The room sensors can be switched up to 4 times within 24 hours.</p>																				

[Service] Menu

The service menu provides functions for use by installer or service engineer. It is NOT intended the home owner alters settings within this menu. It is for this reason password protection is required to prevent unauthorised access to the service settings.

The factory default password is "0000".

Follow the procedure described in General Operation for the set up operation.

Many functions can not be set whilst the indoor unit is running. The installer should turn off the unit before trying to set these functions. If the installer attempts to change the settings whilst the unit is running the main remote controller will display a reminder message prompting the installer to stop operation before continuing. By selecting "Yes" the unit will cease operation.

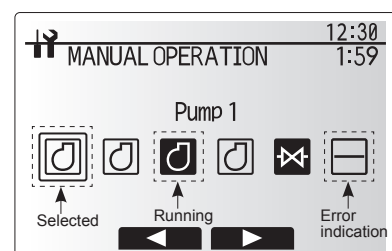
<[Manual operation]>

During the filling of the system the primary circuit circulation pump and 3-way valve can be manually overridden using manual operation mode.

When manual operation is selected a small timer icon appears in the screen. When selected, this function will only remain in manual operation for a maximum of 2 hours. This is to prevent accidental permanent override of the FTC.

► Example

Pressing F3 button will switch manual operation mode ON for the main 3-way valve. When filling of the DHW tank is complete the installer should access this menu again and press F3 to deactivate manual operation of the part. Alternatively after 2 hours manual operation mode will no longer be active and FTC can resume control of the cylinder unit.



Manual operation menu screen

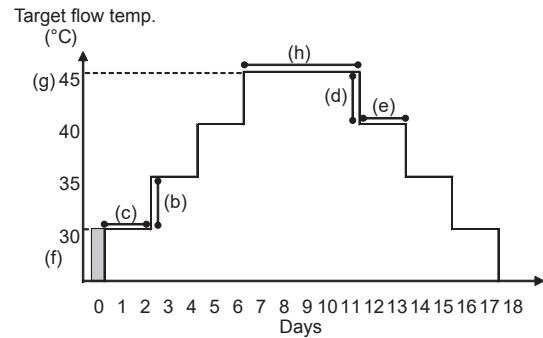
5 System Set Up

Manual operation and heat source setting can not be selected if the system is running. A screen will be displayed asking the installer to stop the system before these modes can be activated.
The system automatically stops 2 hours after last operation.

<[Floor dry up function]>

The Floor dry up function automatically changes the target hot water temperature in stages to gradually dry concrete when this particular type of underfloor heating system is installed.

Upon completion of the operation the system stops all the operations except the Freeze stat. operation.
For Floor dry up function, the target flow temp. of Zone1 is the same as that of Zone2.



- This function is not available when a PUAZ-FRP outdoor unit is connected.
- Disconnect wiring to external inputs of room thermostat, demand control, and outdoor thermostat, or the target flow temperature may not be maintained.

Functions	Symbol	Description	Option/Range	Unit	Default	
Floor dry up function	a	Set the function to ON and power on the system using the main remote controller, and the dry up heating operation will start.	On/Off	—	Off	
Flow temp. (increase)	Flow temp. increase step	b	Sets the increase step of the target flow temperature.	+1 - +10	°C	+5
	Increase interval	c	Sets the period for which the same target flow temperature is maintained.	1 - 7	day	2
Flow temp. (decrease)	Flow temp. decrease step	d	Sets the decrease step of the target flow temperature.	-1 - -10	°C	-5
	Decrease interval	e	Sets the period for which the same target flow temperature is maintained.	1 - 7	day	2
Target temperature	Start & Finish	f	Sets the target flow temperature at the start and the finish of the operation.	20 - 60	°C	30
	Max. target temp.	g	Sets the maximum target flow temperature.	20 - 60	°C	45
	Max. temp. period	h	Sets the period for which the maximum target flow temperature is maintained.	1 - 20	day	5

<[Password protection]>

Password protection is available to prevent unauthorised access to the service menu by untrained persons.

Resetting the password

If you forget the password you entered, or have to service a unit somebody else installed, you can reset the password to the factory default of **0000**.

1. From the main settings menu scroll down the functions until Service Menu is highlighted.
2. Press CONFIRM.
3. You will be prompted to enter a password.
4. Hold down buttons F3 and F4 together for 3 seconds
5. You will be asked if you wish to continue and reset the password to default setting.
6. To reset press button F3.
7. The password is now reset to **0000**.

<[Manual reset]>

Should you wish to restore the factory settings at any time you should use the manual reset function. Please note this will reset ALL functions to the factory default settings.



Password input screen



Password verify screen

6 Commissioning

■ Pre-commissioning exercises- potable/DHW circuit

Initial fill procedure:

Ensure all pipe joints and fittings are tight and secure.

Open the most distant DHW tap/outlet.

Slowly/gradually open the mains water supply to begin filling unit and DHW pipework.

Allow most distant tap to run free and release/purge residual air from installation.

Close tap/outlet to retain fully charged system.

Note: When an immersion heater is fitted, do NOT energise the heater until the DHW tank is full of water. Also do NOT energise any immersion heater if any sterilisation chemicals remain in the DHW tank as this will cause premature failure of the heater.

Initial flush procedure:

Energise system to heat-up cylinder unit contents to a temperature of approx. 30 - 40°C.

Flush/drain the water contents to remove any residue/impurities resulting from the installation works. Use the cylinder unit drain cock to safely discharge the warmed water to drain via a suitable hose.

On completion, close drain cock, re-fill system and resume system commissioning.

7 Service and Maintenance

■ Error Codes

Code	Error	Action
L3	Circulation water temperature overheat protection	Flow rate may be reduced. Check for; <ul style="list-style-type: none"> • Water leakage • Strainer blockage • Water circulation pump function (Error code may display during filling of primary circuit, complete filling and reset error code.)
L4	DHW tank water temperature overheat protection	Check the immersion heater and it's contactor.
L5	Indoor unit temperature thermistor (THW1, THW2, THW5A, THW5B, THW6, THW7, THW8, THW9) failure	Check resistance across the thermistor.
L6	Circulation water freeze protection	See Action for L3.
L8	Heating operation error	Check and re-attach any thermistors that may have become dislodged.
L9	Low primary circuit flow rate detected by flow sensor or flow switch (flow switches 1, 2, 3)	See Action for L3. If the flow sensor or flow switch itself does not work, replace it. Caution: The pump valves may be hot, please take care.
LA	Pressure sensor failure	Check pressure sensor cable for damage or loose connections.
LB	High pressure protection	<ul style="list-style-type: none"> • Flow rate of the heating circuit may be reduced. Check water circuit. • Plate heat exchanger may be clogged. Check the plate heat exchanger. • Outdoor unit failure. Refer to outdoor unit service manual.
LC	Boiler circulation water temperature overheat protection	<p>Check if the setting temperature of the Boiler for heating exceeds the restriction. (See the manual of the thermistors "PAC-TH012HT-E")</p> <p>Flow rate of the heating circuit from the boiler may be reduced. Check for</p> <ul style="list-style-type: none"> • water leakage, • strainer blockage • water circulation pump function.
LD	Boiler temperature thermistor (THWB1) failure	Check resistance across the thermistor.
LE	Boiler operation error	See Action for L8. Check the status of the boiler.
LF	Flow sensor failure	Check flow sensor cable for damage or loose connections.
LH	Boiler circulation water freeze protection	Flow rate of the heating circuit from the boiler may be reduced. Check for <ul style="list-style-type: none"> • water leakage • strainer blockage • water circulation pump function.
LJ	DHW operation error (type of external plate HEX)	<ul style="list-style-type: none"> • Check for disconnection of DHW tank water lower temp. thermistor (THW5B). • Flow rate of the sanitary circuit may be reduced. • Check for water circulation pump function. (primary / sanitary)
LL	Setting errors of DIP switches on FTC control board	For boiler operation, check that DIP SW1-1 is set to ON (With Boiler) and DIP SW2-6 is set to ON (With Mixing Tank). For 2-zone temperature control, check DIP SW2-7 is set to ON (2-zone) and DIP SW2-6 is set to ON (With Mixing Tank).
LP	Out of water flow rate range for outdoor heat pump unit	Check the installation Table 4.3.1 Check remote controller settings (Service menu / heat pump flow rate range) See Action for L3.
P1	Thermistor (Room temp.) (TH1) failure	Check resistance across the thermistor.
P2	Thermistor (Ref. liquid temp.) (TH2) failure	Check resistance across the thermistor.
P6	Anti-freeze protection of plate heat exchanger	See Action for L3. Check for correct amount of refrigerant.
J0	Communication failure between FTC and wireless receiver	Check connection cable for damage or loose connections.
J1 - J8	Communication failure between wireless receiver and wireless remote controller	Check wireless remote controller's battery is not flat. Check the pairing between wireless receiver to wireless remote controller. Test the wireless communication. (See the manual of wireless system)
E0 - E5	Communication failure between main remote controller and FTC	Check connection cable for damage or loose connections.
E6 - EF	Communication failure between FTC and outdoor unit	Check that the outdoor unit has not been turned off. Check connection cable for damage or loose connections. Refer to outdoor unit service manual.
E9	Outdoor unit receives no signal from indoor unit.	Check both units are switched on. Check connection cable for damage or loose connections. Refer to outdoor unit service manual.
EE	Combination error between FTC and outdoor unit	Check combination of FTC and outdoor unit.
U*, F*	Outdoor unit failure	Refer to outdoor unit service manual.
A*	M-NET communication error	Refer to outdoor unit service manual.

Note: To cancel error codes please switch system off (Press button F4(RESET) on main remote controller).

7 Service and Maintenance

■ Annual Maintenance

It is essential that the cylinder unit is serviced at least once a year by a qualified individual. Any required parts should be purchased from Mitsubishi Electric. NEVER bypass safety devices or operate the unit without them being fully operational. For more details, refer to service handbook.

Notes		
<ul style="list-style-type: none"> • Within the first couple of months of installation, remove and clean the cylinder unit's strainer plus any additional filter items that are fitted external to the cylinder unit. This is especially important when installing on an old/existing pipe work system. • The PRV valve and T&P valve (No. 8, 20 and 21 on Figure 3.1) should be checked annually by turning the knob manually so that the medium is discharged, thus cleaning the seal seat. 		

In addition to annual servicing it is necessary to replace or inspect some parts after a certain period of system operation. Please see tables below for detailed instructions. Replacement and inspection of parts should always be done by a competent person with relevant training and qualifications.

Parts which require regular replacement

Parts	Replace every	Possible failures
Pressure relief valve (PRV) Manometer Inlet control group (ICG)*	6 years	Water leakage

* OPTIONAL PARTS for UK

Parts which require regular inspection

Parts	Check every	Possible failures
Pressure relief valve (3bar) Temperature and pressure relief valve	1 year (turning the knob manually)	PRV would be fixed and expansion vessel would burst
Immersion heater	2 years	Earth leakage causing circuit breaker to activate (Heater is always OFF)
Water circulation pump (Primary circuit)	20,000 hrs (3 years)	Water circulation pump failure

en

Parts which must NOT be re-used when servicing

- * O-ring
- * Gasket

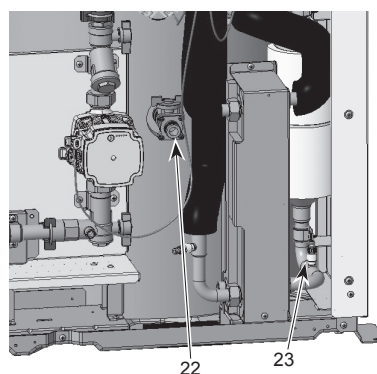
Note:

- Always replace the gasket for pump with a new one at each regular maintenance (every 20,000 hours of use or every 3 years).

<Draining the cylinder unit and its sanitary heating circuit (local)>

WARNING: DRAINED WATER MAY BE VERY HOT

1. Before attempting to drain the cylinder unit isolate from the electrical supply to prevent the immersion and booster heaters burning out.
2. Isolate cold water feed to DHW tank.
3. Open a hot water tap to allow draining without creating a vacuum.
4. Attach a hose to the DHW tank drain cocks (No. 22 and 23 on Figure 7.1). The hose should be able to withstand heat as the draining water could be very hot. The hose should drain to a place lower than the DHW tank bottom to encourage siphoning. Begin draining by opening drain cock.
5. When the DHW tank is drained close drain cock and hot tap.
6. For primary circuit, attach hose to water circuit drain cocks (No. 6 on Figure 3.1). The hose should be able to withstand heat as the draining water could be very hot. The hose should drain to a place lower than the drain cock to encourage siphoning. Open the pump valves and the strainer valves.
7. Water remains in the strainer still after the cylinder unit was drained.
Drain the strainer by removing the strainer cover.



<Figure 7.1>

7 Service and Maintenance

Engineers Forms

Should settings be changed from default, please enter and record new setting in 'Field Setting' column. This will ease resetting in the future should the system use change or the circuit board need to be replaced.

Commissioning/Field settings record sheet

Main remote controller screen		Parameters	Default setting	Field setting	Notes	
Main		Zone1 heating room temp.	10°C - 30°C	20°C		
		Zone2 heating room temp. *12	10°C - 30°C	20°C		
		Zone1 heating flow temp.	20°C - 60°C	45°C		
		Zone2 heating flow temp. *1	20°C - 60°C	35°C		
		Zone1 cooling flow temp. *13	5°C - 25°C	15°C		
		Zone2 cooling flow temp. *13	5°C - 25°C	20°C		
		Zone1 heating compensation curve	-9°C - + 9°C	0°C		
		Zone2 heating compensation curve *1	-9°C - + 9°C	0°C		
Option		Holiday mode	Active/Non active/Set time	—		
		Forced DHW operation	On/Off	—		
		DHW	On/Off/Timer	On		
		Heating/Cooling *13	On/Off/Timer	On		
Setting	DHW	Operation mode	Normal/Eco *15	Normal		
		DHW max. temp.	40°C - 60°C *2	50°C		
		DHW temp. drop	5°C - 30°C	10°C		
		DHW max. operation time	30 - 120 min	60 min		
		DHW mode restriction	30 - 120 min	30 min		
		DHW recharge	Large/Standard	Standard		
		Energy monitor	Consumed electrical energy/Delivered energy	—		
	Legionella prevention	Active	Yes/No	Yes		
		Hot water temp.	60°C - 70°C *2	65°C		
		Frequency	1 - 30 days	15 days		
		Start time	00:00 - 23:00	03:00		
		Max. operation time	1 - 5 hours	3 hours		
		Duration of maximum temp.	1 - 120 min	30 min		
		Heating/Cooling *13	Zone1 operation mode	Heating room temp./ Heating flow temp./ Heating compensation curve/ Cooling flow temp.	Room temp.	
	Zone2 operation mode *1		Heating room temp./ Heating flow temp./ Heating compensation curve/ Cooling flow temp.	Compensation curve		
	Compensation curve	Hi flow temp. set point	Zone1 outdoor ambient temp.	-30°C - +33°C *3	-15°C	
			Zone1 flow temp.	20°C - 60°C	50°C	
			Zone2 outdoor ambient temp. *1	-30°C - +33°C *3	-15°C	
			Zone2 flow temp. *1	20°C - 60°C	40°C	
		Lo flow temp. set point	Zone1 outdoor ambient temp.	-28°C - +35°C *4	35°C	
			Zone1 flow temp.	20°C - 60°C	25°C	
			Zone2 outdoor ambient temp. *1	-28°C - +35°C *4	35°C	
			Zone2 flow temp.*1	20°C - 60°C	25°C	
		Adjust	Zone1 outdoor ambient temp.	-29°C - +34°C *5	—	
			Zone1 flow temp.	20°C - 60°C	—	
	Holiday	DHW	Active/Non active	Non active		
		Heating/Cooling *13	Active/Non active	Active		
		Zone1 heating room temp.	10°C - 30°C	15°C		
Zone2 heating room temp. *12		10°C - 30°C	15°C			
Zone1 heating flow temp.		20°C - 60°C	35°C			
Zone2 heating flow temp. *1		20°C - 60°C	25°C			
Zone1 cooling flow temp. *13		5°C - 25°C	25°C			
Zone2 cooling flow temp. *13		5°C - 25°C	25°C			
Initial settings		Language	EN/FR/DE/SV/ES/IT/DA/NL/FI/NO/PT/BG/PL/CZ/RU/TR/SL	EN		
		°C/°F	°C/°F	°C		
	Summer time	On/Off	Off			
	Temp. display	Room/DHW tank/Room&DHW tank /Off	Off			
	Time display	hh:mm/hh:mm AM/AM hh:mm	hh:mm			
	Room sensor settings for Zone1	TH1/Main RC/Room RC1-8/"Time/Zone"	TH1			
	Room sensor settings for Zone2 *1	TH1/Main RC/Room RC1-8/"Time/Zone"	TH1			
	Room RC zone select *1	Zone1/Zone2	Zone1			
	Service menu	Thermistor adjustment	THW1	-10°C - +10°C	0°C	
			THW2	-10°C - +10°C	0°C	
THW5A			-10°C - +10°C	0°C		
THW5B			-10°C - +10°C	0°C		
THW6			-10°C - +10°C	0°C		
THW7			-10°C - +10°C	0°C		
THW8			-10°C - +10°C	0°C		
THW9			-10°C - +10°C	0°C		
THW10			-10°C - +10°C	0°C		
THWB1			-10°C - +10°C	0°C		
Auxiliary settings			Economy settings for pump.	On/Off *6	On	
		Electric heater (Heating)	Space heating: On (used)/Off (not used)	On		
		Electric heater (DHW)	Electric heater delay timer (5 - 180 min)	30 min		
			Booster heater DHW: On (used)/Off (not used)	On		
		Mixing valve control	Immersion heater DHW: On (used)/Off (not used)	On		
			Electric heater delay timer (15 - 30 min)	15 min		
		Flow sensor *17	Running (10 - 240 sec)	120 sec		
Interval (1 - 30 min)			2 min			
Analog output	Minimum(0 - 100 L/min)	5 L/min				
	Maximum(0 - 100 L/min)	100 L/min				
	Interval (1 - 30 min)	5 min				
	Priority (Normal/High)	Normal				

(Continued to next page.)

7 Service and Maintenance

Engineers Forms

Commissioning/Field settings record sheet (continued from the previous page)

Main remote controller screen			Parameters		Default setting	Field setting	Notes	
Setting	Service menu	Pump speed	DHW	Pump speed(1 - 5)		5		
			Heating/Cooling	Pump speed(1 - 5)		5		
		Heat source setting	Standard/Heater/Boiler/Hybrid *7		Standard			
		Heat pump setting	Heat pump flow rate range	Minimum(0 - 100 L/min)		5 L/min		
				Maximum(0 - 100 L/min)		100 L/min		
			Quiet mode	Day (Mon - Sun)		—		
				Time		0:00 - 23:45		
		Operation settings	Heating operation *8	Flow temp.range *10	Minimum.temp.(20 - 45°C)		30°C	
					Maximum.temp.(35 - 60°C)		50°C	
				Room temp.control *14	Mode(Normal/Fast)		Normal	
					Interval(10 - 60 min)		10 min	
				Heat pump thermo diff.adjust	On/Off *6		On	
					Lower limit(-9 - -1°C)		-5°C	
			Upper limit(+3 - +5°C)		5°C			
			Freeze stat function *11	Outdoor ambient temp. (3 - 20°C) / **		5°C		
			Simultaneous operation (DHW/Heating)	On/Off *6		Off		
				Outdoor ambient temp. (-30 - +10°C) *3		-15°C		
			Cold weather function	On/Off *6		Off		
				Outdoor ambient temp. (-30 - -10°C) *3		-15°C		
			Boiler operation	Hybrid settings	Outdoor ambient temp. (-30 - +10°C) *3		-15°C	
					Priority mode (Ambient/Cost/CO ₂) *16		Ambient	
					Outdoor ambient temp. rise (+1 - +5°C)		+3°C	
					Energy price *9	Electricity (0.001 - 999 */kWh)	0.5 */kWh	
						Boiler (0.001 - 999 */kWh)	0.5 */kWh	
					CO ₂ emission	Electricity (0.001 - 999 kg -CO ₂ / kWh)	0.5 kg -CO ₂ /kWh	
				Boiler (0.001 - 999 kg -CO ₂ / kWh)		0.5 kg -CO ₂ /kWh		
				Heat source	Heat pump capacity (1 - 40 kW)	11.2 kW		
					Boiler efficiency (25 - 150%)	80%		
				Booster heater 1 capacity (0 - 30 kW)			2 kW	
		Booster heater 2 capacity (0 - 30 kW)					4 kW	
				Smart grid ready	DHW	On/Off		Off
		Target temp(+1- +20°C) / -- (Non active)				--		
		Heating			On/Off		Off	
			Target temp.		Switch-on recommendation(20 - 60°C)	50°C		
					Switch-on command(20 - 60°C)	55°C		
		Cooling	On/Off		Off			
			Target temp.		Switch-on recommendation(5 - 25°C)	15°C		
					Switch-on command(5 - 25°C)	10°C		
		Pump cycles	Heating (On/Off)		On			
			Cooling (On/Off)		On			
			Interval(10-120 min)		10 min			
		Floor dry up function	On/Off *6		Off			
			Target temp.	Start&Finish (20 - 60°C)		30°C		
				Max. temp. (20 - 60°C)		45°C		
				Max. temp. period (1 - 20 days)		5 days		
Flow temp. (Increase)	Temp. increase step (+1 - +10°C)		+5°C					
	Increase interval (1 - 7 days)		2 days					
Flow temp. (Decrease)	Temp. decrease step (-1 - -10°C)		-5°C					
	Decrease interval (1 - 7 days)		2 days					
Summer mode	On/Off		Off					
	Outdoor ambient temp.	Heating ON (4-19°C)		10°C				
		Heating OFF (5-20°C)		15°C				
	Judgement time	Heating ON (1-48 hours)		6 hours				
		Heating OFF (1-48 hours)		6 hours				
	Forced heating ON (-30 - 10°C)		5°C					
Water flow control	On/Off		Off					

(Continued to next page.)

7 Service and Maintenance

■ Engineers Forms

Commissioning/Field settings record sheet (continued from the previous page)

Main remote controller screen				Parameters	Default setting	Field setting	Notes
en	Service menu	Energy monitor settings	Electric heater capacity	Booster heater 1 capacity	0 - 30 kW	2 kW	
				Booster heater 2 capacity	0 - 30 kW	4 kW	
				Immersion heater capacity	0 - 30 kW	0 kW	
				Analog output	0 - 30 kW	0 kW	
			Delivered energy adjustment	-50 - +50%	0%		
			Water pump input	Pump 1	0 - 200 W or ***(factory fitted pump)	***	
				Pump 2	0 - 200 W	0 W	
				Pump 3	0 - 200 W	0 W	
				Pump 4	0 - 200 W	72 W	
			Electric energy meter	0.1/1/10/100/1000 pulse/kWh	1 pulse/kWh		
		Heat meter	0.1/1/10/100/1000 pulse/kWh	1 pulse/kWh			
		External input settings	Demand control (IN4)	Heat source OFF/Boiler operation	Boiler operation		
			Outdoor thermostat (IN5)	Heater operation/Boiler operation	Boiler operation		
		Thermo ON output	Zone1/Zone2/Zone1&2	Zone1&2			

*1 The settings related to Zone2 can be switched only when 2 zone temperature control is enabled (when DIP SW2-6 and SW 2-7 are ON).

*2 For the model without both booster and immersion heater, it may not reach the set temperature depending on the outside ambient temperature.

*3 The lower limit is -15°C depending on the connected outdoor unit.

*4 The lower limit is -13°C depending on the connected outdoor unit.

*5 The lower limit is -14°C depending on the connected outdoor unit.

*6 On: the function is active; Off: the function is inactive.

*7 When DIP SW1-1 is set to OFF "WITHOUT Boiler" or SW2-6 is set to OFF "WITHOUT Mixing tank", neither Boiler nor Hybrid can be selected.

*8 Valid only when operating in Room temp. control mode.

9 "" of "**/kWh" represents currency unit (e.g. € or £ or the like)

*10 Valid only when operating in Heating room temperature.

*11 If asterisk (**) is chosen freeze stat function is deactivated. (i.e. primary water freeze risk)

*12 The settings related to Zone2 can be switched only when 2-zone temperature control or 2-Zone valve ON/OFF control is active.

*13 Cooling mode settings are available for ER model only.

*14 When DIP SW5-2 is set to OFF, the function is active.

*15 When the cylinder unit is connected with a PUMY-P outdoor unit, the mode is fixed to "Normal".

*16 When the cylinder unit is connected with a PUMY-P outdoor unit, the mode is fixed to "Ambient".

*17 Do not change the setting since it is set according to the specification of flow sensor attached to the cylinder unit.

1. Avis de sécurité.....	2
2. Introduction.....	3
3. Informations techniques.....	4
4. Installation.....	10
4.1 Emplacement.....	10
4.2 Qualité de l'eau et préparation du système.....	11
4.3 Tuyauterie d'eau.....	11
4.4 Connexion électrique.....	14
5. Configuration du système.....	16
5.1 Fonction des commutateurs dip.....	16
5.2 Connexion des entrées/sorties.....	17
5.3 Câblage pour le contrôle de la température sur 2 zones.....	18
5.4 Fonctionnement du module hydraulique uniquement (pendant les travaux d'installation).....	19
5.5 Réseau élec intelligent.....	19
5.6 Utilisation d'une carte mémoire SD.....	19
5.7 Télécommande principale.....	20
6. Mise en service.....	26
7. Entretien et maintenance.....	27



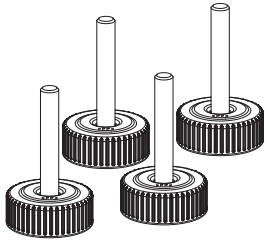
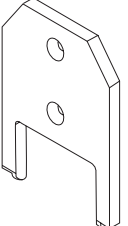
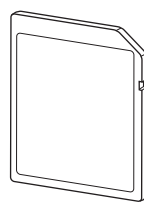
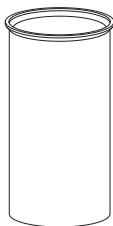
<http://www.mitsubishielectric.com/ldg/ibim/>

Si vous souhaitez obtenir des informations supplémentaires qui ne sont pas contenues dans ce manuel, rendez-vous sur le site Web ci-dessus pour télécharger des manuels, sélectionnez le nom du modèle, puis choisissez la langue.

Table des matières du manuel sur le site Web

- Contrôleur d'énergie
- Éléments constitutifs (détails)
- Schéma du circuit d'eau (170 L)
- Thermostat d'ambiance
- Remplissage du système
- Système simple sur 2 zones
- Source d'alimentation électrique indépendante
- Réseau électrique intelligent
- Options de la télécommande
- Menu Maintenance (réglage spécial)
- Informations supplémentaires

fr

Accessoires (fournis)			
Pieds réglables	Outil pour résistance électrique ECS immergée Modèle EHPT20X-MHEDW seulement	Carte mémoire SD	Revêtement en cuivre pour tuyau ECS
			
4	1	1	2

Abréviations et glossaire

N°	Abréviations/Mot	Description
1	Mode Courbe Loi d'eau	Chauffage incorporant la Loi d'eau de la température extérieure
2	COP	Coefficient de performance indiquant le rendement de la pompe à chaleur
3	Ecodan hydrobox duo	Module hydraulique double service (chauffage + eau chaude sanitaire)
4	Mode ECS	Mode de chauffage eau chaude sanitaire pour les douches, les éviers etc.
5	Température de départ d'eau	Température à laquelle l'eau est délivrée au circuit primaire
6	Fonction antigel	Routine de contrôle du chauffage pour éviter le gel des canalisations d'eau
7	FTC	Régulateur de température de départ d'eau, carte de circuit imprimé chargée de contrôler le système
8	Mode de chauffage	Chauffage par radiateurs ou plancher chauffant
9	Legionelle	Bactérie susceptible de se trouver dans les tuyauteries, les douches et les ballons d'eau et pouvant provoquer la maladie du légionnaire
10	Mode CT	Mode choc thermique: fonction disponible sur les systèmes équipés de ballon d'eau afin d'éviter la croissance de la bactérie legionelle
11	Modèle Package	Échangeur à plaques (fluide frigorigène - eau) dans l'unité extérieure de la pompe à chaleur
12	PRV	Soupape de sécurité
13	Température de retour	Température à laquelle est délivrée l'eau à partir du circuit primaire
14	Modèle Split	Échangeur à plaque (fluide frigorigène - eau) dans le module hydraulique
15	VTR	Vanne thermostatique de radiateur : vanne sur l'entrée ou la sortie du panneau de radiateur pour contrôler l'émission de chaleur
16	Mode de refroidissement	Climatisation des locaux par ventilo-convecteur ou refroidissement sous plancher

1 Avis de sécurité

Lisez attentivement les précautions suivantes relatives à la sécurité.





 **AVERTISSEMENT :**
Précautions à respecter afin d'éviter des blessures graves ou mortelles.

 **ATTENTION :**
Précautions à respecter afin d'éviter d'endommager l'unité.

Ce manuel d'installation, ainsi que manuel de l'utilisateur, doivent être remis avec le produit après l'installation afin de pouvoir s'y référer ultérieurement. Mitsubishi Electric n'est pas responsable en cas de défaillance des pièces fournies localement et sur le site.

- Veillez à respecter la maintenance périodique.
- Veillez à respecter votre réglementation locale.
- Veillez à respecter les instructions données dans ce manuel.

SIGNIFICATION DES SYMBOLES AFFICHÉS SUR L'UNITÉ

	AVERTISSEMENT (Risque d'incendie)	Ce symbole est utilisé uniquement pour le réfrigérant R32. Le type de réfrigérant est indiqué sur la plaque signalétique de l'appareil extérieur. Si le type de réfrigérant est le R32, cet appareil utilise un réfrigérant inflammable. Si le réfrigérant fuit et entre en contact avec une flamme ou une pièce chaude, il produira un gaz toxique et un incendie risque de se déclencher.
		Veillez lire le MANUEL D'INSTALLATION avec soin avant utilisation.
		Le personnel d'entretien est tenu de lire avec soin le MANUEL D'UTILISATION et le MANUEL D'INSTALLATION avant utilisation.
		De plus amples informations sont disponibles dans le MODE D'EMPLOI, le MANUEL D'INSTALLATION et les autres documents associés

AVERTISSEMENT

Partie mécanique

- L'Ecodan hydrobox duo et l'unité extérieure ne doivent pas être installés, démontés, déplacés, modifiés ou réparés par l'utilisateur. Pour cela, adressez-vous à un installateur ou un technicien agréé. Si l'unité est installée de manière incorrecte ou modifiée après son installation, cela risque d'entraîner une fuite d'eau, un choc électrique ou un incendie.
- L'unité extérieure doit être fixée solidement sur une surface de niveau rigide capable de supporter son poids.
- L'Ecodan hydrobox duo doit être positionné sur une surface de niveau rigide capable de supporter son poids afin d'éviter un bruit trop important ou des vibrations excessives.
- Ne placez pas des meubles ou des appareils électriques sous l'unité extérieure ou l'Ecodan hydrobox duo.
- Les tuyauteries de refoulement des dispositifs d'urgence de l'Ecodan hydrobox duo doivent être installées conformément à la réglementation locale.
- Utilisez uniquement des accessoires et des pièces de rechange agréés par Mitsubishi Electric, consultez un technicien agréé pour déterminer les pièces.

Partie électrique

- Tous les travaux électriques doivent être effectués par un technicien qualifié conformément à la réglementation locale et aux instructions données dans ce manuel.
- Les unités doivent être alimentées par une alimentation électrique spécifique fournissant la tension correcte et disposer de disjoncteurs adaptés.
- Le câblage doit être réalisé conformément à la réglementation nationale concernant le câblage. Les connexions doivent être réalisées fermement et sans tension sur les bornes.
- Réalisez une mise à la terre correcte de l'unité.

Généralités

- Maintenez les enfants et les animaux domestiques à distance de l'Ecodan hydrobox duo et de l'unité extérieure.
- N'utilisez pas l'eau chaude produite par la pompe à chaleur directement pour boire ou pour cuisiner. Cela risquerait de rendre malade l'utilisateur.
- Ne vous tenez pas debout sur les unités.
- Ne touchez pas les interrupteurs avec des mains humides.
- Les vérifications pour la maintenance annuelle sur l'Ecodan hydrobox duo et l'unité extérieure doivent être effectuées par une personne qualifiée.
- Ne placez pas de containers contenant des liquides en haut de l'Ecodan hydrobox duo. S'ils fuient ou se renversent sur l'Ecodan hydrobox duo, cela risque d'endommager l'unité ou de provoquer un incendie.
- Ne placez pas des éléments lourds en haut de l'Ecodan hydrobox duo.
- Lorsque vous installez, déplacez ou effectuez l'entretien de l'Ecodan hydrobox duo, utilisez exclusivement le fluide frigorigène spécifié de la pompe à chaleur pour remplir les conduites de fluide frigorigène. Ne le mélangez avec aucun autre fluide frigorigène et empêchez l'air de rester dans les conduites. Si de l'air est mélangé avec le fluide frigorigène, cela peut provoquer une surpression anormale dans la conduite de fluides frigorigènes et risque d'entraîner une explosion ou d'autres situations dangereuses.
- L'utilisation d'un fluide frigorigène différent de celui spécifié dans le système provoquera une défaillance mécanique, un dysfonctionnement du système ou la panne de l'unité. Dans le pire des cas, cela peut conduire à un sérieux obstacle dans la garantie de sécurité du produit.
- En mode de chauffage, afin d'éviter que les émetteurs de chaleur soient endommagés par une eau excessivement chaude, réglez la température de départ d'eau sur une valeur minimale de 2 °C en dessous de la température maximale admissible de tous les émetteurs de chaleur. Pour la Zone2, réglez la température de départ d'eau sur une valeur minimale de 5 °C en dessous de la température de départ d'eau maximale admissible de tous les émetteurs de chaleur du circuit de la Zone2.
- N'installez pas l'unité dans un lieu où sont susceptibles de se produire une fuite, une production, un écoulement ou une accumulation de gaz combustibles. L'accumulation de gaz combustible autour de l'unité risque de provoquer un incendie ou une explosion.
- Ne faites usage d'aucun moyen visant à accélérer le processus de dégivrage ou à nettoyer autre que ceux recommandés par le fabricant.
- L'appareil doit être stocké dans une pièce qui ne contient pas de sources de feu en cours de fonctionnement (par exemple : flamme nue, appareil de gaz ou chauffage électrique en cours de fonctionnement).
- Ne percez pas et ne brûlez pas l'appareil.
- Veillez noter qu'il se peut que les fluides frigorigènes n'aient aucune odeur.
- La tuyauterie doit être protégée contre les dommages matériels.
- L'installation de la tuyauterie doit être réduite le plus possible.
- Les réglementations nationales sur les gaz doivent être respectées.
- Gardez les ouvertures de ventilation libres d'obstruction.
- N'utilisez pas d'alliage de soudure à basse température pour le brasage des tuyaux de fluides frigorigènes.

fr

1 Avis de sécurité

⚠ ATTENTION

Utilisez de l'eau propre satisfaisant aux normes de qualité locale pour le circuit primaire.

L'unité extérieure doit être installée dans une zone disposant d'un débit d'air suffisant, conformément au schéma du manuel d'installation de l'unité extérieure.

L'Ecodan hydrobox duo doit être disposé à l'intérieur afin de minimiser les pertes thermiques.

Les canalisations d'eau sur le circuit primaire entre l'unité extérieure et le module hydraulique doivent être réduites le plus possible afin de diminuer les pertes thermiques.

Assurez-vous que les condensats provenant de l'unité extérieure sont déviés de la base afin d'éviter les flaques d'eau.

Éliminez le plus d'air possible du circuit primaire et du circuit d'eau chaude.

Une fuite de fluide frigorigène peut provoquer une suffocation. Aménagez une ventilation conformément à la norme EN378-1.

Veillez à entourer la tuyauterie avec des matériaux isolants. Un contact direct avec la tuyauterie nue peut provoquer des brûlures ou des gelures.

Ne mettez sous aucun prétexte les piles dans la bouche afin d'éviter une ingestion accidentelle.

L'ingestion d'une pile peut provoquer une suffocation ou un empoisonnement.

Ne transportez pas l'Ecodan hydrobox duo avec de l'eau à l'intérieur du Ballon d'ECS ou du serpentin. Cela risquerait d'endommager l'unité.

Si l'Ecodan hydrobox duo doit arrêté (ou si le système doit être arrêté) pendant une durée prolongée, il est nécessaire de vidanger l'eau.

S'il n'est pas utilisé pendant une longue période, le ballon d'ECS doit être rincé à l'eau potable avant la remise en fonctionnement.

Des mesures préventives doivent être prises pour éviter le coup de bélier, en installant par exemple un dispositif anti-bélier sur le circuit d'eau primaire, comme indiqué par le constructeur.

Concernant le fluide frigorigène, veuillez consulter le manuel d'installation de l'unité extérieure.

2 Introduction

fr

L'objet de ce manuel d'installation est de donner aux personnes compétentes des instructions sur la manière d'installer de manière sûre et efficace l'Ecodan hydrobox duo et de le mettre en service. Ce manuel s'adresse aux plombiers ou techniciens en

réfrigération compétents ayant participé à la formation exigée sur les produits Mitsubishi Electric et l'ayant validée, et qui disposent des qualifications appropriées et spécifiques à leur pays pour l'installation d'un Ecodan hydrobox duo à eau chaude non ventilé.

3 Informations techniques

Caractéristiques du produit

Nom du modèle	EHST20C-MED	EHST20C-VM2D	EHST20C-VM6D	EHST20C-VM9D	EHST20C-VM2D	EHST20C-VM6D	EHST20C-VM9D	EHST30C-MED	EHST30C-VM6D	EHST30C-VM9D	EHST30C-VM2ED	EHST30C-VM6ED	EHST30C-VM9ED	EHST30C-VM2ED	EHST30C-VM6ED	EHST30C-VM9ED	EHPT17X-VM6D	EHPT17X-VM9D	EHPT17X-VM2D	EHPT17X-VM6D	EHPT17X-VM9D	EHPT17X-VM2D	ERPT17X-VM2D
Volume nominal d'eau chaude sanitaire	200 L																						
Dimensions globales de l'unité (hauteur x largeur x profondeur)	1600 x 595 x 680 mm																						
Poids (vide)	106 kg	113 kg	114 kg	115 kg	109 kg	115 kg	115 kg	118 kg	120 kg	121 kg	120 kg	120 kg	121 kg	120 kg	120 kg	121 kg	85 kg	86 kg	87 kg	86 kg	87 kg	86 kg	86 kg
Poids (plein)	314 kg	320 kg	321 kg	324 kg	319 kg	324 kg	324 kg	426 kg	422 kg	431 kg	428 kg	428 kg	431 kg	428 kg	428 kg	431 kg	261 kg	261 kg	262 kg	265 kg	265 kg	261 kg	261 kg
Volume d'eau du circuit de chauffage dans l'unité *1	4,6 L		6,9 L		6,9 L		5,0 L		7,3 L		5,0 L		3,2 L		3,2 L		5,5 L		5,5 L		3,2 L		3,2 L
Vase d'expansion non ventilé (chauffage primaire)	12 L		—		—		12 L		—		—		—		—		12 L		—		—		0,1 MPa
Pression de charge	0,1 MPa		—		—		0,1 MPa		—		—		—		—		0,1 MPa		—		—		—
Thermistance de régulation	1 à 80°C																						
Soupape de sécurité	0,3 MPa (3bar)																						
Débitmètre	Débit minimal 5,0 L/min (Voir le tableau 4.3.1 pour la plage de débit d'eau)																						
Appoint électrique	—		90°C		121°C		—		—		90°C		—		—		—		—		—		—
Ballon d'ECS	—		121°C		—		75°C		—		—		—		—		—		—		—		—
Raccordements	Eau		Circuit primaire		Circuit d'eau chaude		Liquide		ø28 mm		ø22 mm		—		—		—		—		—		—
Plage de fonctionnement	Chauffage		Température ambiante		Température de départ d'eau		Température ambiante		10 à 30°C		20 à 60°C		—		—		—		—		—		5 à 25°C
Plage de fonctionnement garantie *2	Température extérieure		Température extérieure		Température extérieure		Température extérieure		0 à 35°C (≤ 80 %RH)		0 à 35°C (≤ 80 %RH)		0 à 35°C (≤ 80 %RH)		0 à 35°C (≤ 80 %RH)		0 à 35°C (≤ 80 %RH)		0 à 35°C (≤ 80 %RH)		0 à 35°C (≤ 80 %RH)		5 à 25°C
Performance du ballon d'ECS	Température extérieure		Température extérieure		Température extérieure		Température extérieure		Température extérieure		Température extérieure		Température extérieure		Température extérieure		Température extérieure		Température extérieure		Température extérieure		Température extérieure
Données électriques	Alimentation électrique (phase, tension, fréquence)		3~ 230 V, 50 Hz		3~ 230 V, 50 Hz		3~ 230 V, 50 Hz		3~ 230 V, 50 Hz		3~ 230 V, 50 Hz		3~ 230 V, 50 Hz		3~ 230 V, 50 Hz		3~ 230 V, 50 Hz		3~ 230 V, 50 Hz		3~ 230 V, 50 Hz		3~ 400 V, 50 Hz
	Capacité		2 kW		2 kW+4 kW		3 kW, 6 kW		3 kW+6 kW		2 kW		2 kW		2 kW		2 kW		2 kW		2 kW		2 kW
Niveau de puissance sonore (PWL)	Courant		9 A		26 A		13 A		16 A		9 A		23 A		9 A		26 A		13 A		16 A		13 A
	Disjoncteur		16 A		32 A		16 A		32 A		16 A		32 A		16 A		32 A		16 A		32 A		16 A

<Tableau 3.2>

*1 Le volume du circuit d'eau sanitaire, du circuit d'ECS principal (depuis la vanne 3 voies jusqu'au point rejoignant le circuit de chauffage), de la tuyauterie jusqu'au vase d'expansion et du vase d'expansion ne sont pas inclus dans cette valeur.
 *2 L environnement doit être hors gel.
 *3 Voir le tableau des spécifications de l'unité extérieure (min. 10°C). Mode rafraîchissement non disponible en cas de basse température extérieure. Si vous utilisez notre système en mode rafraîchissement à la température ambiante la plus basse (10°C ou moins), l'échangeur à plaques risque d'être endommagé par l'eau gelée.
 *4 Pour le modèle sans appoint électrique et résistance électrique immergée, la température d'eau chaude maximale admissible est [température d'eau maximale en sortie de l'unité extérieure - 3°C]. Pour la température d'eau maximale en sortie de l'unité extérieure, reportez-vous au manuel des données de l'unité extérieure.
 *5 N'installez pas les résistances électriques immergées sans protection de surchauffe. Utilisez uniquement des pièces détachées Mitsubishi Electric comme remplacement direct.

3 Informations techniques

■ Caractéristiques du produit

Nom du modèle	EHPT20X-MED	EHPT20X-VM6D	EHPT20X-VM9D	EHPT20X-VM9D	EHPT20X-VM9D	EHPT20X-TM9D	EHPT20X-MHEDW	ERPT20X-MD	ERPT20X-VM2D	ERPT20X-VM6D	EHPT30X-MED	EHPT30X-VM9D	ERPT30X-VM2ED
Volume nominal d'eau chaude sanitaire	200 L												
Dimensions globales de l'unité (hauteur x largeur x profondeur)	1600 x 595 x 680 mm												
Poids (vide)	93 kg	101 kg	102 kg	96 kg	102 kg	102 kg	90 kg	99 kg	100 kg	101 kg	106 kg	109 kg	107 kg
Poids (plein)	300 kg	307 kg	310 kg	305 kg	310 kg	310 kg	296 kg	305 kg	305 kg	307 kg	413 kg	419 kg	413 kg
Volume d'eau du circuit de chauffage dans l'unité *1	3,7 L												
Vase d'expansion non ventilé (chauffage primaire)	12 L												
Pression de charge	0,1 MPa												
Thermistance de régulation	1 à 80°C												
Soupape de sécurité	—												
Débitmètre	Débit minimal 5,0 L/min (Voir le tableau 4.3.1 pour la plage de débit d'eau)												
Thermostat de réinitialisation manuelle BH	—	90°C	90°C	—	—	—	—	—	90°C	—	—	—	90°C
Protection de surchauffe BH	—	121°C	121°C	—	—	—	—	—	121°C	—	—	—	121°C
Thermistance de régulation	75°C												
Thermostat de réinitialisation manuelle IH	—												
Température/ Soupape de sécurité	1,0 MPa (10 bar)												
Eau	90°C / 0,7 MPa (7 bar)												
Circuit primaire	ø28 mm												
Circuit d'eau chaude	ø22 mm												
Fluide frigorigène (R32/ R410A)	—												
Gaz	—												
Température ambiante	10 à 30°C												
Température de départ d'eau	20 à 60°C												
Température ambiante	—												
Température de départ d'eau	5 à 25°C												
Ambiante	0 à 35°C (≤ 80 %RH)												
Température extérieure	Voir le tableau des spécifications de l'unité extérieure.												
Chauffage	—												
Rafraîchissement	*3												
Température d'eau chaude maximale admissible	*4	70°C	70°C	—	—	—	—	*4	70°C	70°C	*4	—	70°C
Profil de soutirage déclaré	L												
Climat moyen	A+												
Classe d'efficacité énergétique du chauffe-eau	—												
Alimentation électrique (phase, tension, fréquence)	~N, 230 V, 50 Hz												
Carte électronique de régulation (comprenant 4 pompes)	0,30 kW												
Entrée	1,95 A												
Courant	10 A												
Disjoncteur	—												
Alimentation électrique (phase, tension, fréquence)	—	~N, 230 V, 50 Hz	3~ 400 V, 50 Hz	3~ 230 V, 50 Hz	—	—	—	—	~N, 230 V, 50 Hz	—	—	3~ 400 V, 50 Hz	~N, 230 V, 50 Hz
Capacité	—	2 kW +4 kW	3 kW +6 kW	—	—	—	—	—	2 kW +4 kW	—	—	3 kW +6 kW	2 kW
Courant	—	26 A	13 A	23 A	—	—	—	—	9 A	26 A	—	13 A	9 A
Disjoncteur	—	32 A	16 A	32 A	—	—	—	—	16 A	32 A	—	16 A	16 A
Alimentation électrique (phase, tension, fréquence)	~N, 230 V, 50 Hz												
Capacité	3 kW												
Courant	13 A												
Disjoncteur	16 A												
Niveau de puissance sonore (PWL)	40 dB(A)												

<Tableau 3.3>

*1 Le volume du circuit d'eau sanitaire, du circuit d'ECS principal (depuis la vanne 3 voies jusqu'au point rejoignant le circuit de chauffage), de la tuyauterie jusqu'au vase d'expansion et du vase d'expansion ne sont pas inclus dans cette valeur.
 *2 L'environnement doit être hors gel.
 *3 Voir le tableau des spécifications de l'unité extérieure (min. 10°C). Mode rafraîchissement non disponible en cas de basse température extérieure. Si vous utilisez notre système en mode rafraîchissement à la température ambiante la plus basse (10°C ou moins), réchauffer à plaques risque d'être endommagé par l'eau gelée.
 *4 Pour le modèle sans appoint électrique et résistance électrique immergée, la température d'eau chaude maximale admissible est [température d'eau maximale en sortie de l'unité extérieure - 3°C]. Pour la température d'eau maximale en sortie de l'unité extérieure, reportez-vous au manuel des données de l'unité extérieure.
 *5 N'installez pas les résistances électriques immergées sans protection de surchauffe. Utilisez uniquement des pièces détachées Mitsubishi Electric comme remplacement direct.

3 Informations techniques

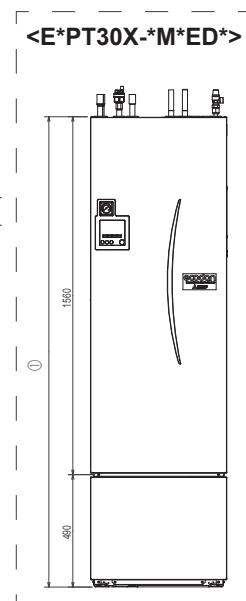
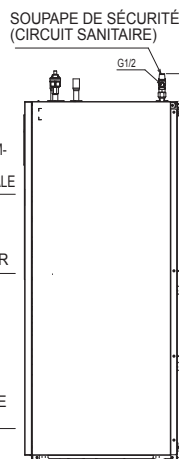
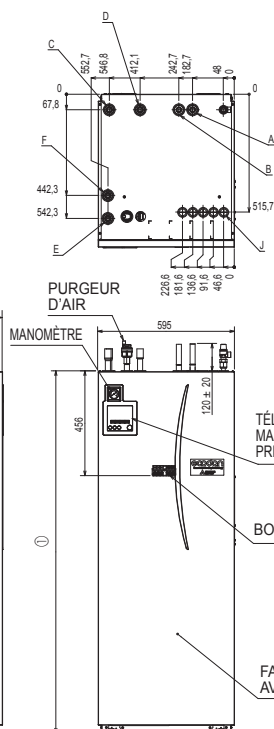
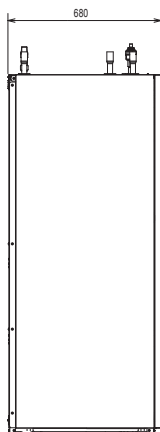
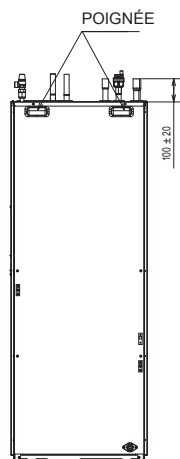
■ Dessins techniques

<E**T***-M**D>

(Système modèle Package)

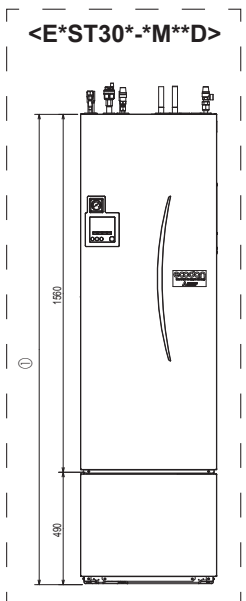
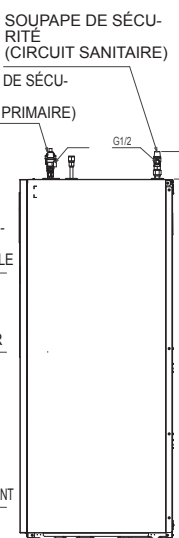
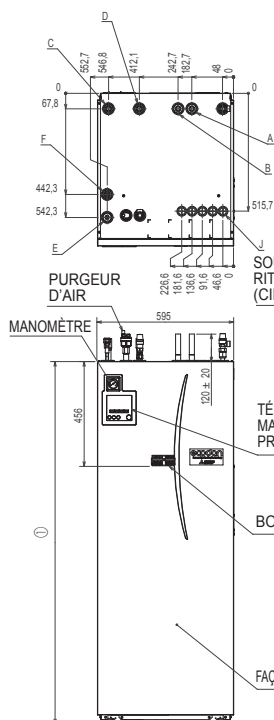
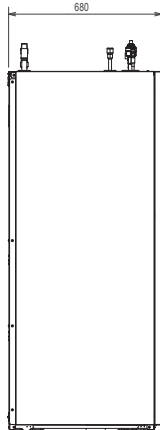
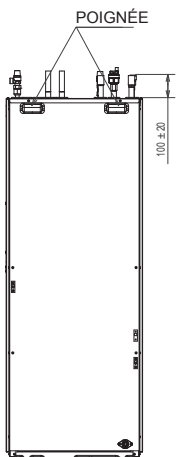
<Unité : mm>

Capacité du ballon d'ECS	170L	200L	300L
①	1400	1600	2050



(Système modèle Split)

Capacité du ballon d'ECS	170L	200L	300L
①	1400	1600	2050



Lettre	Description du tuyau	Taille/Type de raccord	
A	Raccord de sortie ECS	22 mm/Réduction	
B	Raccord d'entrée eau froide	22 mm/Réduction	
C	Raccord retour du chauffage/rafraîchissement	28 mm/Réduction	
D	Raccord débit du chauffage/rafraîchissement	28 mm/Réduction	
E	Raccord débit PROVENANT de la pompe à chaleur (Aucun échangeur à plaque)	28 mm/Réduction	
F	Raccord retour VERS la pompe à chaleur (Aucun échangeur à plaque)	28 mm/Réduction	
G	Fluide frigorigène (GAZ) (Avec échangeur à plaque)	12,7 mm/Évasé (E*ST**D-*) 15,88 mm/Évasé (E*ST**C-*)	⚠ Avertissement • Le raccord des tuyaux de fluide frigorigène doit être accessible pour la maintenance. • Si vous raccordez à nouveau les tuyaux de fluide frigorigène après les avoir détachés, faites refaire la partie évasée des tuyaux.
H	Fluide frigorigène (LIQUIDE) (Avec échangeur à plaque)	6,35 mm/Évasé (E*ST**D-*) 9,52 mm/Évasé (E*ST**C-*)	
J	Passages de câbles électriques ① ② ③ ④ ⑤ ○○○○○	Pour les entrées ①, ② et ③, faites passer les fils basse tension, y compris les fils d'entrées externes et les fils des thermistances. Pour les entrées ④ et ⑤, faites passer les fils haute tension, y compris le câble d'alimentation, le câble intérieur-extérieur et les fils de sorties externes. *Pour le câble d'un récepteur sans fil (en option) et de l'interface Wi-Fi ecodan (en option), utilisez l'entrée ①.	

<Tableau 3.4>

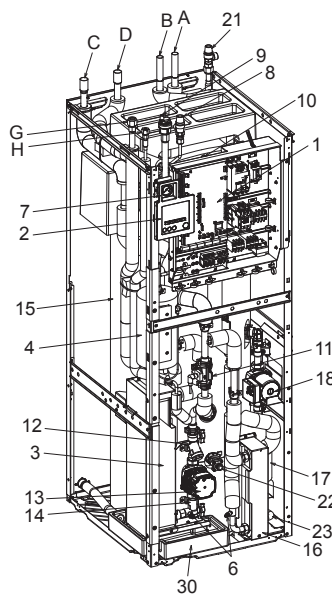
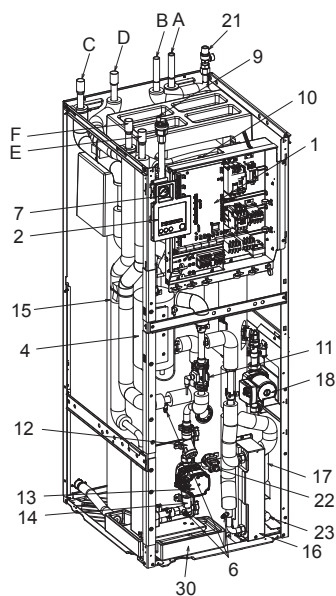
3 Informations techniques

Éléments constitutifs

<E**T***-M**D>

(Système modèle Package)

(Système modèle Split)

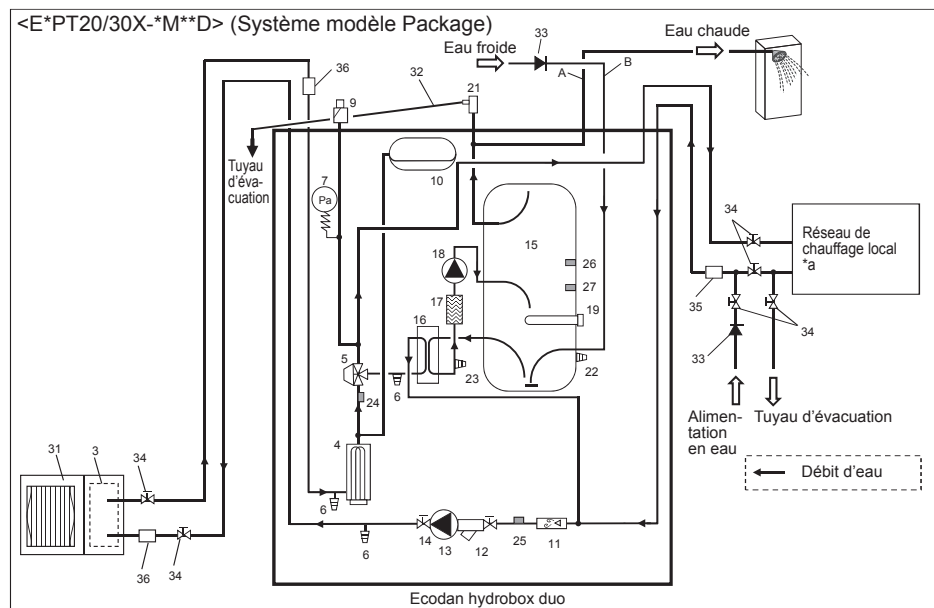


Remarque :
Pour l'installation de tous les modèles E**T***-M**ED*, assurez-vous d'installer un vase d'expansion de dimensions appropriées côté primaire et une PRV supplémentaire afin d'éviter que le vase d'expansion explose sur site. (Voir figures 3.2 ~ 3.3 et 4.3.2 pour des recommandations supplémentaires)

<Figure 3.1>

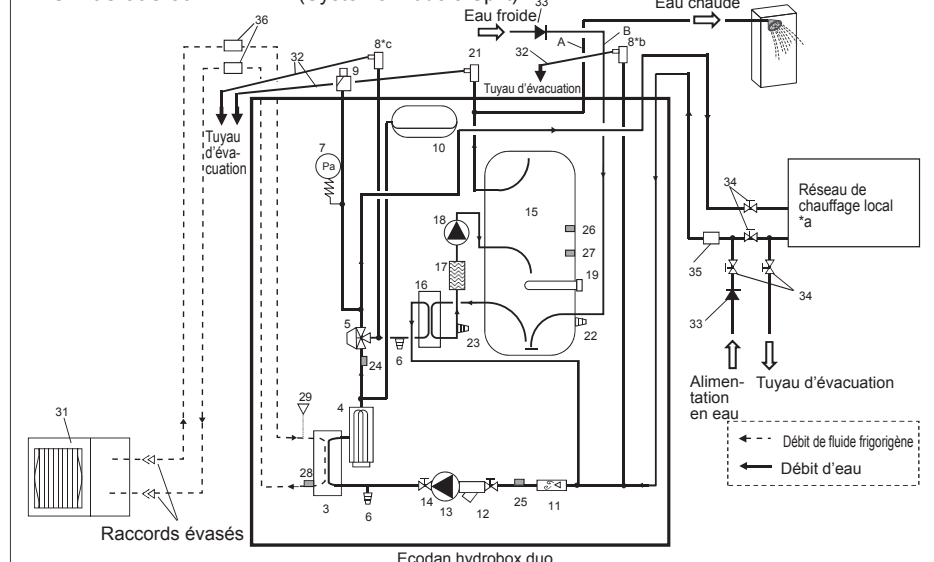
Schéma du circuit d'eau

<E*PT20/30X-M**D> (Système modèle Package)



<Figure 3.2>

<E*ST20C/30C/30D-M**D> (Système modèle Split)



<Figure 3.3>

N°	Nom de la pièce
A	Tuyau de sortie ECS
B	Tuyau d'entrée eau froide
C	Tuyau d'eau (raccord retour du chauffage/rafraichissement)
D	Tuyau d'eau (raccord débit du chauffage/rafraichissement)
E	Tuyau d'eau (raccord débit provenant de la pompe à chaleur)
F	Tuyau d'eau (raccord retour vers la pompe à chaleur)
G	Liaison frigorifique (gaz)
H	Liaison frigorifique (liquide)
1	Boîtier électrique de commande
2	Télécommande principale
3	Échangeur à plaque (fluide frigorigène - eau)
4	Appoint électrique 1, 2
5	Vanne 3 voies
6	Vanne de purge (circuit primaire)
7	Manomètre
8	Soupape de sécurité (3 bar)
9	Purgeur d'air automatique
10	Vase d'expansion (circuit primaire)
11	Débitmètre
12	Vanne filtre
13	Pompe de circulation de l'eau 1 (circuit primaire)
14	Vanne de pompe
15	Ballon d'ECS
16	Échangeur à plaque (eau - eau)
17	Piège à tartre
18	Pompe de circulation de l'eau (circuit sanitaire)
19	Résistance électrique ECS immergée *1
20	Température et soupape de sécurité *1
21	Soupape de sécurité (10 bar) (ballon d'ECS)
22	Vanne de purge (ballon d'ECS)
23	Vanne de purge (circuit sanitaire)
24	Thermistance temp. Départ eau (THW1)
25	Thermistance temp. Retour eau (THW2)
26	Thermistance de temp. supérieure de l'eau du ballon d'ECS (THW5A)
27	Thermistance de temp. inférieure de l'eau du ballon d'ECS (THW5B)
28	Thermistance temp. Liquide frigo (TH2)
29	Sonde de pression
30	Bac de purge
31	Unité extérieure
32	Tuyau de purge (fourniture locale)
33	Clapet anti-retour (fourniture locale)
34	Robinet d'isolement (fourniture locale)
35	Filtre magnétique (fourniture locale) (recommandé)
36	Filtre (fourniture locale)
37	PRV supplémentaire (fourniture locale)
38	Groupe de commande entrée *1
39	Circuit d'alimentation d'eau (clapets à bille, clapet anti-retour et flexible) *1
40	vase d'expansion eau potable *1

*1 Fourni avec le modèle pour le Royaume-Uni UNIQUEMENT. Reportez-vous au manuel d'installation de PAC-WK02UK-E pour plus d'informations sur les accessoires.

<Tableau 3.5>

Rendez-vous sur le site Web de Mitsubishi pour vérifier le circuit d'eau d'autres unités et les éléments constitutifs de chaque unité.

*a Reportez-vous à la section suivante [Système local].

*b E**T20 uniquement

*c E**T30 uniquement

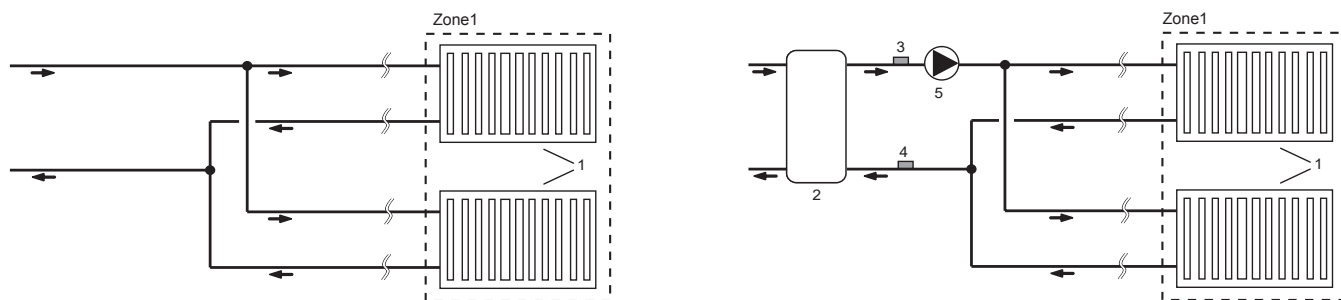
Remarque

- Pour permettre la purge de l'Ecodan hydrobox duo, un robinet d'isolement doit être positionné à la fois sur l'entrée et la sortie de la tuyauterie.
- Veillez à installer un filtre sur la tuyauterie d'entrée vers l'Ecodan hydrobox duo.
- Une tuyauterie d'évacuation convenable doit être disposée sur toutes les soupapes de sécurité, conformément à la réglementation en vigueur de votre pays.
- Un clapet anti-retour doit être installé sur la tuyauterie d'alimentation en eau froide (IEC 61770).
- Lorsque vous utilisez des composants réalisés avec des métaux différents ou des tuyaux de connexion fabriqués avec des métaux différents, isolez les raccords afin d'éviter toute apparition d'une réaction de corrosion qui pourrait endommager la tuyauterie.

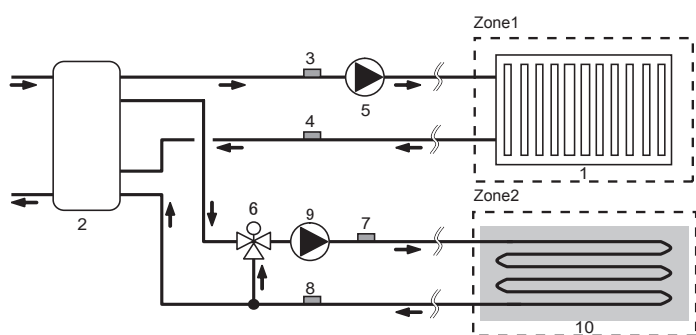
3 Informations techniques

■ Réseau de chauffage : types d'installation réalisables

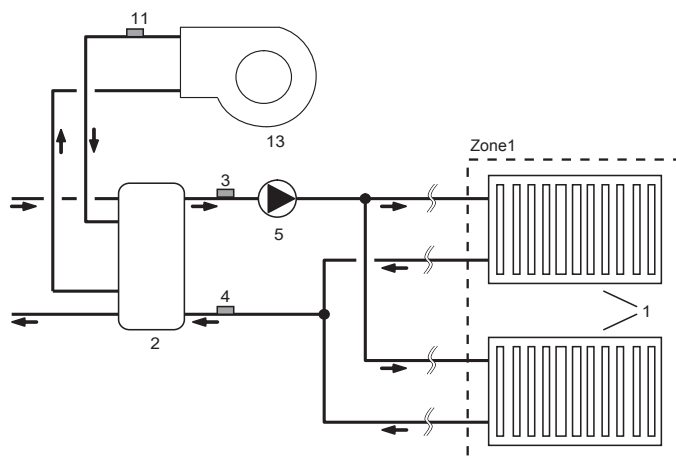
Contrôle de la température sur 1 zone



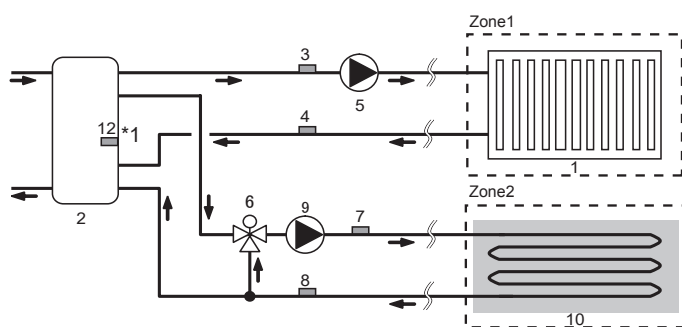
Contrôle de la température sur 2 zones



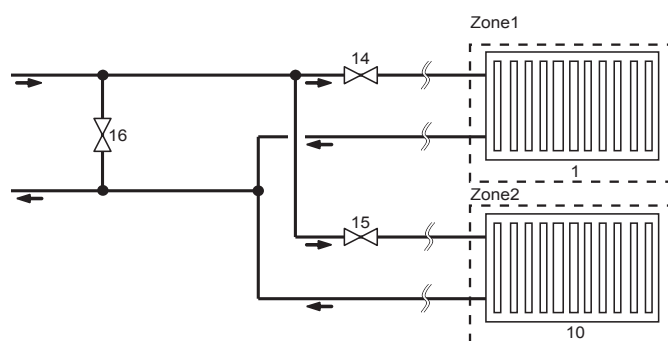
Contrôle de la température sur 1 zone avec chaudière



Contrôle de la température sur 2 zones et contrôle du réservoir tampon



Contrôle de la température sur 1 zone (contrôle marche/arrêt de la vanne sur 2 zones)



- 1. Émetteurs de chaleur Zone1 (radiateur, ventilo-convecteur, par exemple) (fourniture locale)
- 2. Bouteille de découplage (fourniture locale)
- 3. Thermistance temp.Départ eau Zone1 (THW6) } Composant en option :
- 4. Thermistance temp.Retour eau Zone1 (THW7) } PAC-TH011-E
- 5. Pompe de circulation Zone1 (fourniture locale)
- 6. Vanne de mélange motorisée (fourniture locale)
- 7. Thermistance temp.Départ eau Zone2 (THW8) } Composant en option :
- 8. Thermistance temp.Retour eau Zone2 (THW9) } PAC-TH011-E
- 9. Pompe de circulation Zone2 (fourniture locale)

- 10. Émetteurs de chaleur Zone2 (plancher chauffant, par exemple) (fourniture locale)
- 11. Thermistance temp.Départ eau chaudière (THWB1) } Composant en option :
- 12. Thermistance de la bouteille de découplage (THW10) *1 } PAC-TH012HT(L)-E
- 13. Chaudière (fourniture locale)
- 14. Vanne 2 voies Zone1 (fourniture locale)
- 15. Vanne 2 voies Zone2 (fourniture locale)
- 16. Vanne de contournement (fourniture locale)

*1 SEUL le contrôle du réservoir tampon (chauffage/rafraîchissement) s'applique à « Réseau élec intelligent ».

4 Installation

<Préparation avant l'installation et l'entretien>

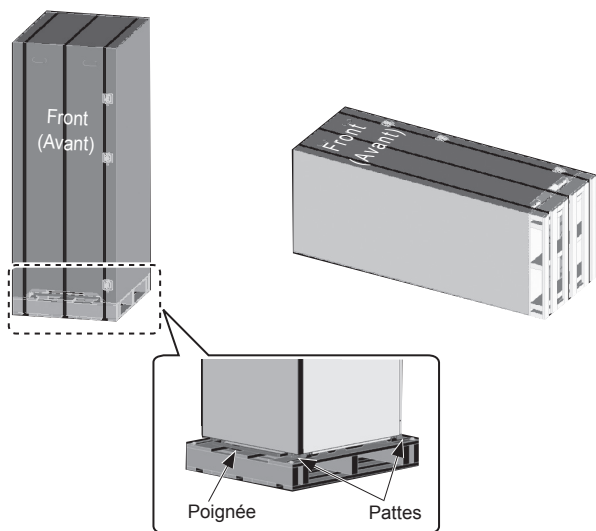
- Préparez les outils corrects.
- Préparez la protection correcte.
- Laissez les pièces refroidir avant d'entreprendre une quelconque maintenance.
- Prévoyez une ventilation adéquate.
- Après avoir arrêté le fonctionnement du système, coupez l'alimentation au niveau du disjoncteur et retirez la prise d'alimentation.
- Déchargez le condensateur avant d'entreprendre des travaux touchant à des pièces électriques.

<Précautions à prendre pendant l'entretien>

- N'effectuez aucun travail impliquant des pièces électriques avec les mains humides.
- Ne versez pas d'eau ou des liquides sur les pièces électriques.
- Ne touchez pas le fluide frigorigène.
- Ne touchez pas les surfaces chaudes ou froides du cycle de réfrigération.
- Lorsque la réparation ou l'inspection du circuit doit être effectuée sans couper l'alimentation, faites extrêmement attention à ne pas toucher des pièces sous tension.

4.1 Emplacement

■ Transport et manutention



<Figure 4.1.1>

L'Ecodan hydrobox duo est livré sur une palette en bois avec une protection en carton.

Lors du transport de l'Ecodan hydrobox duo, il est nécessaire de faire attention à ce que le carter ne soit pas endommagé par des chocs. Ne retirez pas l'emballage de protection tant que l'Ecodan hydrobox duo ne se trouve pas à son emplacement définitif. Cela contribuera à protéger la structure et le panneau de commande.

- L'Ecodan hydrobox duo peut être transporté soit verticalement, soit horizontalement. S'il est transporté horizontalement, le panneau sur lequel est marqué « Front (Avant) » doit être orienté **VERS LE HAUT** <Figure 4.1.1>.
- L'Ecodan hydrobox duo doit TOUJOURS être transporté par 3 personnes au minimum.
- Pour le transport de l'Ecodan hydrobox duo, utilisez les poignées disponibles.
- Avant d'utiliser les poignées, assurez-vous qu'elles sont fixées solidement.
- **Retirez la poignée avant, les pattes de fixation, la base en bois et tous les autres éléments de l'emballage lorsque l'unité est à son emplacement d'installation.**
- **Conservez les poignées pour un transport ultérieur.**

■ Emplacement convenable

Avant l'installation, l'Ecodan hydrobox duo doit être stocké dans un endroit à l'abri du gel. Les unités ne doivent **PAS** être empilées.

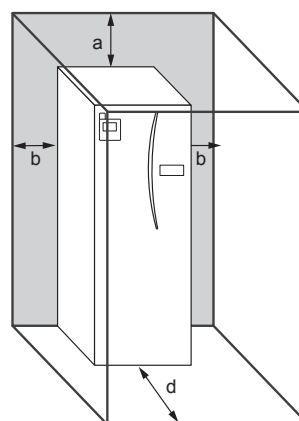
- L'Ecodan hydrobox duo doit être installé à l'intérieur dans un endroit à l'abri du gel.
- Installez l'Ecodan hydrobox duo un endroit où il n'est pas exposé à de l'eau ou à une humidité excessive.
- L'Ecodan hydrobox duo doit être placé sur une surface de niveau capable de supporter son poids lorsqu'il est **REPLI**. (Des pieds réglables (pièces accessoires) peuvent être utilisés pour mettre l'unité de niveau)
- Si vous utilisez des pieds réglables, assurez-vous que le sol est suffisamment résistant.
- Faites attention à bien respecter les distances minimales autour de l'unité et devant celle-ci afin de permettre un accès pour l'entretien <Figure 4.1.2>.
- Fixez solidement l'Ecodan hydrobox duo afin d'éviter qu'il ne soit renversé.

■ Schémas d'accès pour l'entretien

Accès pour l'entretien	
Paramètre	Dimension (mm)
a	300*
b	150
c (la distance derrière l'unité n'est pas visible dans la Figure 4.1.2)	10
d	500

<Tableau 4.1.1>

Un espace suffisant DOIT être laissé pour permettre d'installer la tuyauterie de vidange comme détaillé dans les réglementations nationales et locales relatives aux bâtiments.



<Figure 4.1.2>
Accès pour l'entretien

* Un espace supplémentaire de 300 mm (600 mm au total) est nécessaire lors de l'installation du kit 2 zones fourni en option (PAC-TZ02-E) sur l'Ecodan Hydrobox duo.

L'Ecodan hydrobox duo doit être disposé à l'intérieur et dans un environnement à l'abri du gel, par exemple dans un local d'entretien afin de minimiser les pertes thermiques de l'eau stockée.

■ Repositionnement

Avant de déplacer l'Ecodan hydrobox duo vers un nouvel emplacement, VIDAN-GEZ-LE COMPLÈTEMENT afin d'éviter d'endommager l'unité.

4 Installation

4.2 Qualité de l'eau et préparation du système

■ Généralités

- L'eau dans le circuit primaire et le circuit sanitaire doit être propre et avoir une valeur de pH comprise entre 6,5 et 8,0
- Les données suivantes correspondent aux valeurs maximales :
Calcium : 100 mg/L, dureté Ca : 250 mg/L
Chlorure : 100 mg/L, Cuivre : 0,3 mg/L
- Les autres constituants doivent être conformes aux normes de la directive européenne 98/83 EC.
- Dans les zones où la dureté de l'eau est élevée, afin de prévenir ou de minimiser la formation de tartre, il peut être avantageux de restreindre la température de l'eau stockée habituellement (Temp.Max.ECS) à 55 °C.

■ Antigel

Pour les solutions antigel, il convient d'utiliser du propylène glycol avec une cote de toxicité de Classe 1, comme indiqué dans le document « Clinical Toxicology of Commercial Products », 5e édition.

Remarque :

1. **L'éthylène glycol est toxique et il convient de ne pas l'utiliser dans le circuit d'eau primaire en cas d'une quelconque contamination croisée du circuit d'eau potable.**
2. **Pour le contrôle marche/arrêt de la vanne sur 2 zones, il convient d'utiliser l'éthylène glycol.**

■ Nouvelle installation (circuit d'eau primaire)

- Avant de raccorder l'unité extérieure, nettoyez soigneusement la tuyauterie afin d'éliminer tout débris de construction, de soudure etc. en utilisant un agent de nettoyage chimique approprié.
- Rincez le système pour éliminer le détergent chimique.
- Pour tous les systèmes modèle Package ajoutez une solution combinée d'inhibiteur et d'antigel afin d'éviter tout dommage à la tuyauterie et aux composants du système.
- Pour les modèles Split, l'installateur responsable doit décider si est nécessaire d'utiliser de l'antigel en fonction des conditions du site. Un inhibiteur de corrosion doit toutefois toujours être utilisé.

■ Installation existante (circuit d'eau primaire)

- Avant le raccordement de l'unité extérieure, le circuit de chauffage existant DOIT être nettoyé chimiquement afin d'éliminer les débris existants du circuit de chauffage.
- Rincez le système pour éliminer le détergent chimique.
- Pour tous les systèmes modèle Package et le modèle Split ou le système PUMY sans appoint électrique, ajoutez une solution combinée d'inhibiteur et d'antigel afin d'éviter tout dommage à la tuyauterie et aux composants du système.
- Pour les modèles Split, l'installateur responsable doit décider si est nécessaire d'utiliser de l'antigel en fonction des conditions du site. Un inhibiteur de corrosion doit toutefois toujours être utilisé.

Lorsque vous utilisez des détergents chimiques et des inhibiteurs, suivez toujours les instructions du fabricant et assurez-vous que les produits sont appropriés au matériau utilisé dans le circuit d'eau.

4.3 Tuyauterie d'eau

■ Tuyauterie d'eau chaude

L'Ecodan hydrobox duo N'EST PAS VENTILÉ. Lorsque vous installez des systèmes non ventilés à eau chaude, vous devez respecter les points G3 (Angleterre et pays de Galles), P3 (Écosse) et P5 (Irlande du Nord) des réglementations relatives aux bâtiments. Si vous êtes en dehors du Royaume-Uni, respectez les réglementations de votre pays concernant les systèmes non ventilés à eau chaude.

- Branchez le débit de l'eau chaude sur le tuyau A (Figure 3.1). Il est nécessaire de vérifier le fonctionnement des composants de sécurité suivants de l'Ecodan hydrobox duo sur l'installation en recherchant toute anomalie :
- Soupape de sécurité (circuit primaire et ballon)
 - Précharge du vase d'expansion (pression de charge du gaz)

- Les instructions des pages suivantes concernant l'évacuation en toute sécurité de l'eau chaude des dispositifs de sécurité doivent être respectées attentivement.
- La tuyauterie peut devenir très chaude, elle doit donc être isolée pour éviter les brûlures.
 - Lorsque vous raccordez la tuyauterie, assurez-vous qu'aucun objet étranger, tel que des débris ou des éléments similaires, ne pénètre dans les tuyaux.

■ Tuyauterie d'eau froide

De l'eau froide ayant les caractéristiques convenables (voir section 4.2) doit être introduite dans le système en raccordant le tuyau B (Figure 3.1) en utilisant des raccords appropriés.

■ Prévention de la pression négative

Pour éviter que la pression négative atteigne le réservoir d'eau chaude, l'installateur doit installer une tuyauterie appropriée ou utiliser des dispositifs adaptés.

■ Quantité minimale d'eau nécessaire dans le circuit de chauffage/rafraîchissement

Unité extérieure de la pompe à chaleur		Climat moyen/plus chaud**		Climat plus froid**	
		Quantité d'eau contenue dans le module hydraulique [L]	*Quantité d'eau nécessaire supplémentaire [L]	Quantité d'eau contenue dans le module hydraulique [L]	*Quantité d'eau nécessaire supplémentaire [L]
Modèle Package	PUZ-WM50	5	2	5	24
	PUZ-WM60		4		29
	PUZ-WM85		7		32
	PUZ-WM112		11		43
	PUZ-HWM140		15		55
Modèle Split	SUZ-SWM40	5	1	5	12
	SUZ-SWM60		2		21
	SUZ-SWM80		4		29
	PUD-S(H)WM60		4		21
	PUD-S(H)WM80		6		29
	PUD-S(H)WM100		9		38
	PUD-S(H)WM120		12		47
	PUD-SHWM140		15		55
	PUHZ-FRP71		6		27
	PUHZ-SW75		6		27
	PUHZ-SW100		9		38
	PUHZ-SW120		12		47
	PUHZ-SHW80		6		29
	PUHZ-SHW112		11		43
	PUHZ-SHW140		15		55
	PUMY-P112		22		75
	PUMY-P125		22		75
PUMY-P140	22	75			

<Tableau 4.2.1>

* S'il existe un circuit de contournement, le tableau ci-dessus concerne la quantité d'eau minimale en cas de contournement.

** Veuillez vous reporter à 2009/125/CE : directive sur les produits liés à l'énergie et au règlement (UE) N° 813/2013 pour confirmer votre zone climatique.

Cas 1. Aucune division entre les circuits primaire et secondaire

- Veuillez vérifier la quantité d'eau nécessaire conformément au tableau 4.2.1 au niveau des tuyaux d'eau, des radiateurs et des planchers chauffants.

Cas 2. Circuits primaire et secondaire séparés

- Si l'opération d'interverrouillage des pompes primaire et secondaire n'est pas disponible, veuillez vérifier la quantité d'eau nécessaire supplémentaire dans le circuit primaire seulement, conformément au tableau 4.2.1.
- Si l'opération d'interverrouillage des pompes primaire et secondaire est disponible, veuillez vérifier la quantité d'eau totale dans les circuits primaire et secondaire conformément au tableau 4.2.1.

Si la quantité d'eau nécessaire n'est pas atteinte, veuillez installer un réservoir tampon.

■ Filtre hydraulique (SEULEMENT pour la série E*PT)

Installez un filtre hydraulique ou une crépine (fourniture locale) au niveau de l'entrée d'eau (« Tuyau E » dans la figure 3.1).

■ Raccordements des tuyaux

Les raccordements à l'Ecodan hydrobox duo doivent être effectués en utilisant les réductions 22 mm ou 28 mm comme approprié.

Lors du raccordement de tuyaux ECS à l'aide de raccords de réduction, insérez des revêtements en cuivre pour tuyau ECS (pièces accessoires) dans les tuyaux et serrez-les de 0,75 à 1,25 tour.

Ne serrez pas de manière excessive les raccords de réduction car cela entraînerait une déformation de la bague olive et des fuites éventuelles.

Remarque : Avant de souder par brasure les tuyaux sur site, protégez les tuyaux sur l'Ecodan hydrobox duo en utilisant un torchon humide, etc., en tant que « bouclier antichaleur ».

■ Isolation de la tuyauterie

- Toute la tuyauterie d'eau exposée doit être isolée afin d'éviter des pertes thermiques inutiles et une condensation. Pour éviter que des condensats pénètrent dans l'Ecodan hydrobox duo, la tuyauterie et les raccords situés sur le haut de l'Ecodan hydrobox duo doivent être isolés soigneusement.
- Lorsque cela est possible, les tuyauteries d'eau froide et d'eau chaude ne doivent pas être disposées proches l'une de l'autre afin d'éviter tout transfert de chaleur inutile.
- La tuyauterie située entre l'unité extérieure de la pompe à chaleur et l'Ecodan hydrobox duo doit être isolée avec un matériau d'isolation convenant aux tuyaux et ayant une conductivité thermique $\leq 0,04$ W/m.K.

4 Installation

■ Tuyauterie d'évacuation (SEULEMENT pour la série ER)

Il n'est pas nécessaire de régler le composant en option « Support du bac de purge » car le bac de récupération est installé. La purge doit être réglée à partir de la douille de purge sur la partie arrière gauche de l'unité.

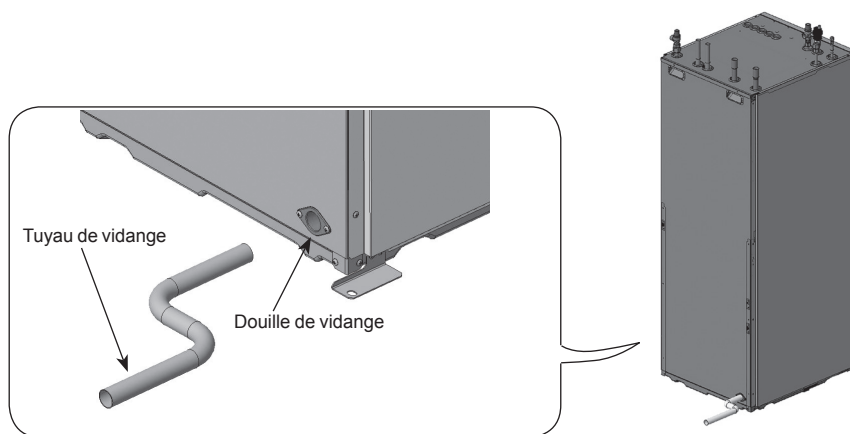
Le tuyau de purge doit être installé pour purger l'eau de condensation en mode de rafraîchissement.

- Pour éviter que l'eau sale soit évacuée directement sur le sol près de l'unité du cylindre, veuillez raccorder la tuyauterie de vidange appropriée depuis le bac de récupération du cylindre.
- Installez solidement le tuyau d'évacuation pour éviter les fuites depuis la connexion.
- Isolez correctement le tuyau d'évacuation pour empêcher l'eau de couler depuis le tuyau d'évacuation fourni localement.
- Installez le tuyau d'évacuation selon une pente de 1/100 ou plus.
- Ne placez pas le tuyau d'évacuation dans un canal d'évacuation contenant du dioxyde de soufre.
- Après l'installation, vérifiez que le tuyau d'évacuation évacue correctement l'eau depuis la sortie du tuyau vers un lieu d'évacuation adapté.

<Installation>

1. La douille de purge (diamètre interne de 26mm) se trouve sur la partie arrière gauche de l'Ecodan hydrobox duo. (Figure 4.3.1)
2. Fixez le tuyau de purge (VP-20) qui correspond à la douille de purge à l'aide d'un adhésif en PVC.
3. Installez la tuyauterie de purge jusqu'à la sortie avec une pente descendante de plus d'un centième.

Remarque : pour éviter que le tuyau d'évacuation tombe de la douille d'évacuation, utilisez un dispositif de soutien solide pour le tuyau d'évacuation fourni localement.



<Figure 4.3.1>

■ Dimensionnement des vases d'expansion

Le volume des vase d'expansion doit être adapté au volume d'eau du système local.

Pour dimensionner un vase d'expansion pour le circuit de chauffage, il est possible d'utiliser la formule et le graphique suivants.

Lorsque le volume nécessaire pour le vase d'expansion dépasse le volume de vase d'expansion intégré, installez un vase d'expansion supplémentaire de telle sorte que la somme des volumes des phases d'expansion dépasse le volume nécessaire pour le vase d'expansion.

* Pour l'installation d'un modèle E**T***-M*ED*, fournissez et installez un vase d'expansion approprié côté primaire et une soupape de sécurité supplémentaire d'une pression nominale de 3 bars sur site, car le modèle **N'EST PAS** équipé d'un vase d'expansion côté primaire.

$$V = \frac{\varepsilon \times G}{1 - \frac{P_1 + 0,098}{P_2 + 0,098}}$$

Où :

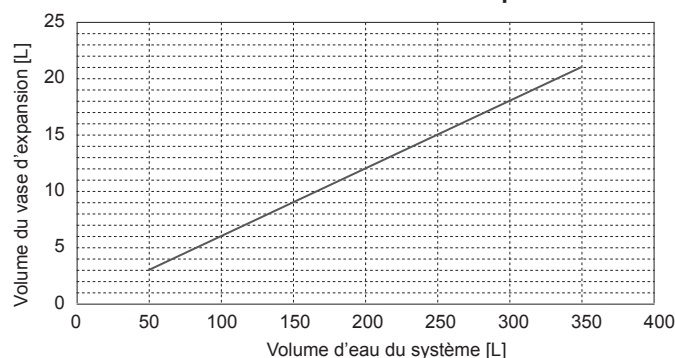
- V : Volume nécessaire pour le vase d'expansion [L]
- ε : Coefficient de dilatation de l'eau
- G : Volume total de l'eau dans le système [L]
- P_1 : Pression de réglage du vase d'expansion [MPa]
- P_2 : Pression maximale pendant le fonctionnement [MPa]

Le graphique à droite correspond aux valeurs suivantes :

- ε : à 70 °C = 0,0229
- P_1 : 0,1 MPa
- P_2 : 0,3 MPa

*Une marge de sécurité de 30 % a été ajoutée.

Dimensionnement du vase d'expansion



<Figure 4.3.2>

4 Installation

Caractéristique de la pompe de circulation

1. Circuit primaire

La vitesse du circulateur peut être contrôlée avec les paramètres de la télécommande principale (voir <Figure 4.3.3 - 4.3.7>).

Ajuster le paramètre de vitesse du circulateur afin que le débit dans le circuit primaire soit approprié à l'unité extérieure installée (voir Tableau 4.3.1). Il peut être nécessaire d'ajouter une pompe supplémentaire au système en fonction de la longueur et de l'élévation du circuit primaire.

Pour un modèle d'unité extérieure non répertoriée dans le <Tableau 4.3.1>, reportez-vous à la plage de débit d'eau dans le tableau des caractéristiques du manuel des données de l'unité extérieure.

<Deuxième pompe>

Si une deuxième pompe est nécessaire pour l'installation, lisez attentivement les éléments suivants.

Si une deuxième pompe est utilisée dans le système, elle peut être positionnée de 2 manières.

La position de la pompe a une incidence sur la borne sur laquelle le câble de signal doit être raccordé à la carte FTC. Si la ou les pompes supplémentaires ont un courant supérieur à 1 A, utilisez un relais approprié. Le câble du signal de la pompe peut être branché sur TBO.1 1-2 ou CNP1, mais pas sur les deux.

Option 1 (Chauffage/rafraîchissement seulement)

Si la deuxième pompe est utilisée seulement pour le circuit de chauffage, le câble de signal doit alors être branché sur les bornes 3 et 4 de TBO.1 (OUT2). Dans cette position, la pompe peut fonctionner à une vitesse différente de la pompe intégrée de l'Ecodan hydrobox duo.

Option 2 (circuit primaire eau chaude et chauffage/rafraîchissement)

Si la deuxième pompe est utilisée dans le circuit primaire entre l'Ecodan hydrobox duo et l'unité extérieure (système Package SEULEMENT), le câble de signal doit alors être branché sur les bornes 1 et 2 de TBO.1 (OUT1). Dans cette position, la vitesse de la pompe **DOIT** correspondre à la vitesse de la pompe intégrée de l'Ecodan hydrobox duo.

Remarque : Reportez-vous à la section 5.2 Connexion des entrées/sorties.

Unité extérieure de la pompe à chaleur	Plage de débit d'eau [L/min]	
Modèle Package	PUZ-WM50	6,5 - 14,3
	PUZ-WM60	8,6 - 17,2
	PUZ-WM85	10,8 - 24,4
	PUZ-WM112	14,4 - 32,1
	PUZ-HWM140	17,9 - 36,9
Modèle Split	SUZ-SWM40	6,5 - 11,4
	SUZ-SWM60	7,2 - 17,2
	SUZ-SWM80	7,8 - 21,5
	PUD-S(H)WM60	9,0 - 22,9
	PUD-S(H)WM80	9,0 - 22,9
	PUD-S(H)WM100	14,3 - 34,4
	PUD-S(H)WM120	14,3 - 34,4
	PUD-SHW140	14,3 - 34,4
	PUHZ-FRP71	11,5 - 22,9
	PUHZ-SW75	10,2 - 22,9
	PUHZ-SW100	14,4 - 32,1
	PUHZ-SW120	20,1 - 36,9
	PUHZ-SHW80	10,2 - 22,9
	PUHZ-SHW112	14,4 - 32,1
	PUHZ-SHW140	17,9 - 36,9
PUMY-P112	17,9 - 35,8	
PUMY-P125	17,9 - 35,8	
PUMY-P140	17,9 - 35,8	

<Tableau 4.3.1>

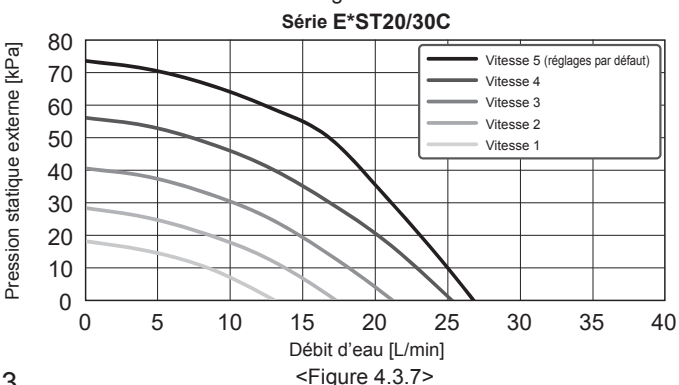
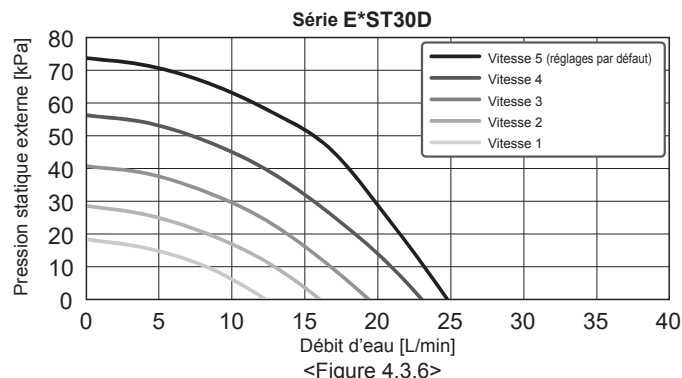
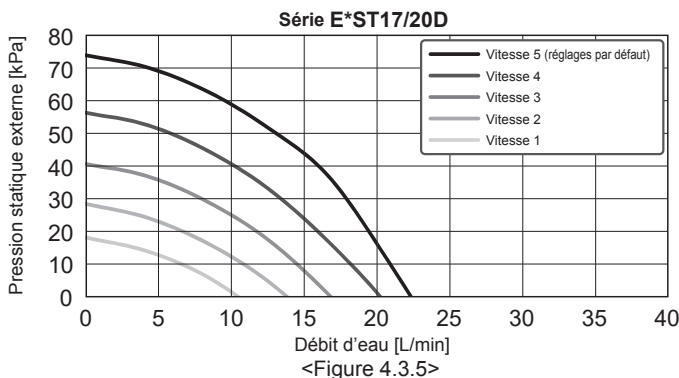
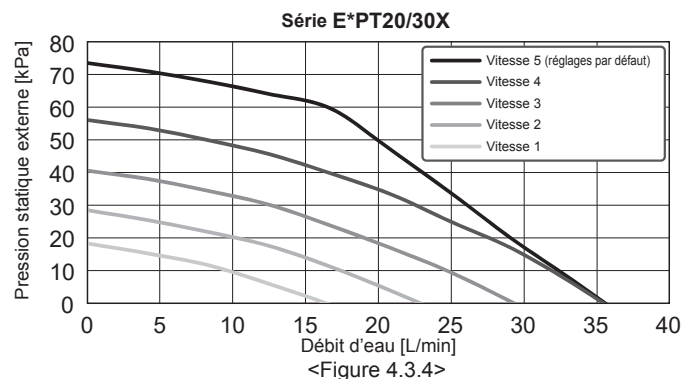
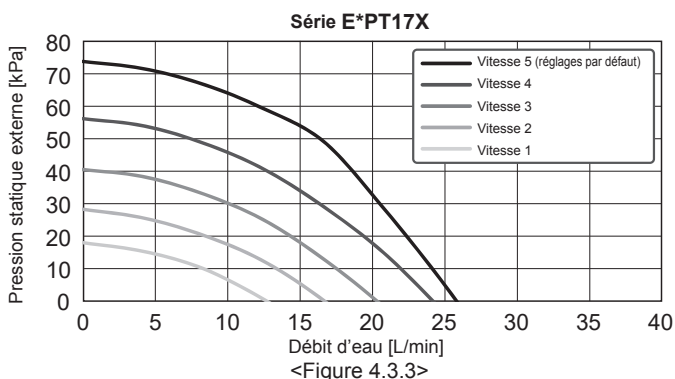
* Si le débit d'eau est inférieur à 5,0 L/min, cela active l'erreur de débit.
Si le débit d'eau dépasse 36,9 L/min (série E**T20/30) ou 25,8 L/min (série E**T17), la vitesse de l'écoulement est supérieure à 2,0 m/s, ce qui peut provoquer une érosion des tuyaux.

2. Circuit sanitaire

Réglages par défaut: Vitesse 2

La pompe de circulation d'eau chaude **DOIT** être réglée sur la vitesse 2.

Caractéristique de la pompe de circulation de l'eau



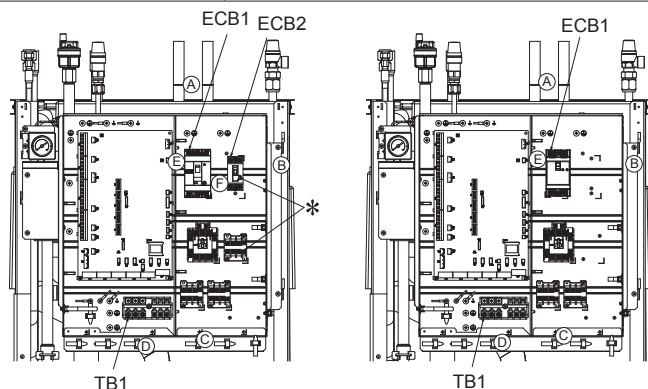
*Pour l'installation d'un modèle de la série E*PT, réglez sa vitesse circulateur avec une chute de pression entre l'Ecodan hydrobox duo et l'unité extérieure en fonction de la pression statique externe.

4 Installation

4.4 Connexion électrique

Tous les travaux électriques doivent être entrepris par un technicien convenablement qualifié. Le non-respect de cette obligation risque de conduire à une électrocution, un incendie et un décès. Cela annule également la garantie du produit. Tous les câblages doivent être réalisés conformément aux réglementations nationales relatives aux câblages.

Abréviation du disjoncteur	Signification
ECB1	Disjoncteur différentiel pour l'appoint électrique
ECB2	Disjoncteur différentiel pour la résistance électrique ECS immergée
TB1	Bornier 1



<Monophasé (avec résistance électrique ECS immergée)>

<Triphasé (sans résistance électrique immergée)>

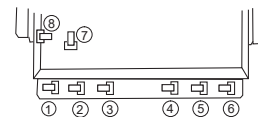
L'Ecodan hydrobox duo peut être alimenté de deux manières

1. Le câble d'alimentation est acheminé de l'unité extérieure vers l'Ecodan hydrobox duo.
2. L'Ecodan hydrobox duo dispose d'une source d'alimentation indépendante.

Les connexions doivent être effectuées sur les bornes indiquées dans les figures à gauche ci-dessous, en fonction de la phase.

L'appoint électrique et la résistance électrique ECS immergée doivent être connectés de manière indépendante l'un de l'autre à des alimentations électriques spéciales.

- Les câbles fournis localement doivent être insérés à travers les entrées situées sur la partie supérieure de l'Ecodan hydrobox duo. (Reportez-vous au <Tableau 3.4>.)
- Le câblage doit arriver en bas du côté droit du boîtier électrique de commande et être fixé sur place en utilisant les attaches fournies.
- Les fils doivent être insérés de manière individuelle dans les passages de câble, comme indiqué ci-dessous.
 - Fil de sortie
 - Fil intérieur-extérieur
 - Ligne d'alimentation (B.H.) ligne d'alimentation (I.H.) (option)
 - Fil de l'entrée du signal
- Branchez le câble de connexion entre l'unité extérieure et l'Ecodan hydrobox duo sur TB1.
- Branchez le câble d'alimentation de l'appoint électrique sur ECB1.
- En cas de présence d'une résistance électrique ECS immergée, branchez le câble d'alimentation sur ECB2.



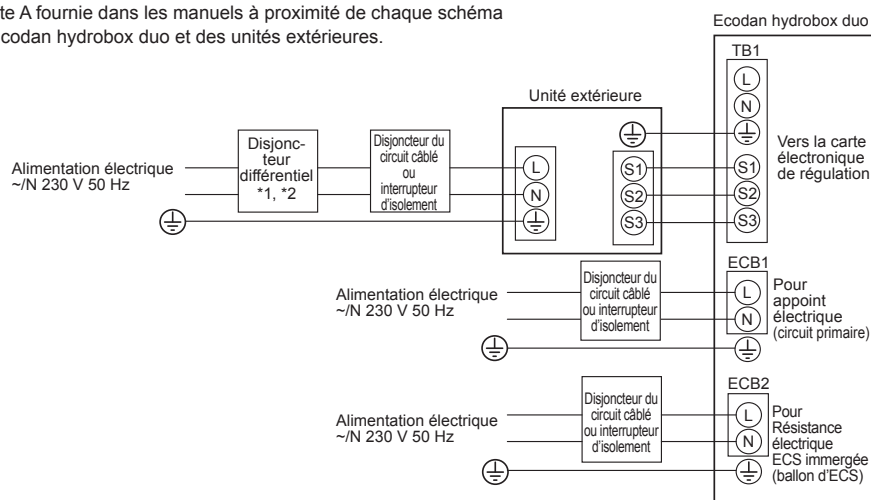
- Évitez le contact entre les fils et les pièces (*).
- Assurez-vous que ECB1 et ECB2 sont en position « ON » (activé).
- Lorsque le câblage est terminé, assurez-vous que le câble de la télécommande principale est bien branché sur le connecteur du relais.

Ecodan hydrobox duo alimenté via une unité extérieure

(Si vous souhaitez utiliser une source indépendante, rendez-vous sur le site Web de Mitsubishi.)

<Monophasé>

Appelez l'étiquette A fournie dans les manuels à proximité de chaque schéma de câblage de l'Ecodan hydrobox duo et des unités extérieures.



- *1. Si le disjoncteur différentiel installé ne dispose pas d'une fonction de protection contre les surintensités, installez un disjoncteur disposant de cette fonction sur la même ligne d'alimentation.
- *2. Un disjoncteur avec une séparation des contacts d'au moins 3,0 mm devra être fourni. Utilisez un interrupteur différentiel (NV). Le disjoncteur devra être fourni pour assurer une déconnexion de tous les conducteurs de phase actifs de l'alimentation.
- *3. Max. 45 m
En cas d'utilisation d'une section de 2,5 mm², 50 m max.
En cas d'utilisation d'une section de 2,5 mm² et de S3 séparés, 80 m max.
- *4. Les valeurs données dans le tableau ci-dessus ne sont pas toujours mesurées par rapport à la valeur de la terre.

<Figure 4.4.1>
Connexions électriques monophasées

Description	Alimentation électrique	Capacité	Disjoncteur	Câblage
Appoint électrique (circuit primaire)	~N 230 V 50 Hz	2 kW	16 A *2	2,5 mm ²
		6 kW	32 A *2	6,0 mm ²
Résistance électrique ECS immergée (ballon d'ECS)	~N 230 V 50 Hz	3 kW	16 A *2	2,5 mm ²

Câblage N° de câble x taille (mm ²)	Ecodan hydrobox duo - Unité extérieure	*3	3 x 1,5 (pôle)
	Mise à la terre Ecodan hydrobox duo - Unité extérieure	*3	1 x Min. 1,5
Catégorie de circuit	Ecodan hydrobox duo - Unité extérieure S1 - S2	*4	230 V CA
	Ecodan hydrobox duo - Unité extérieure S2 - S3	*4	24 V CC

Remarque : 1. La taille des câbles doit être conforme aux codes locaux et nationaux applicables.

2. Les cordons de connexion entre le module hydraulique et l'unité extérieure ne doivent pas être plus légers qu'un cordon souple à gaine en Néoprène. (Modèle 60245 IEC 57)

Les cordons de connexion du module hydraulique ne doivent pas être plus légers qu'un cordon souple à gaine en Néoprène. (Modèle 60227 IEC 53)

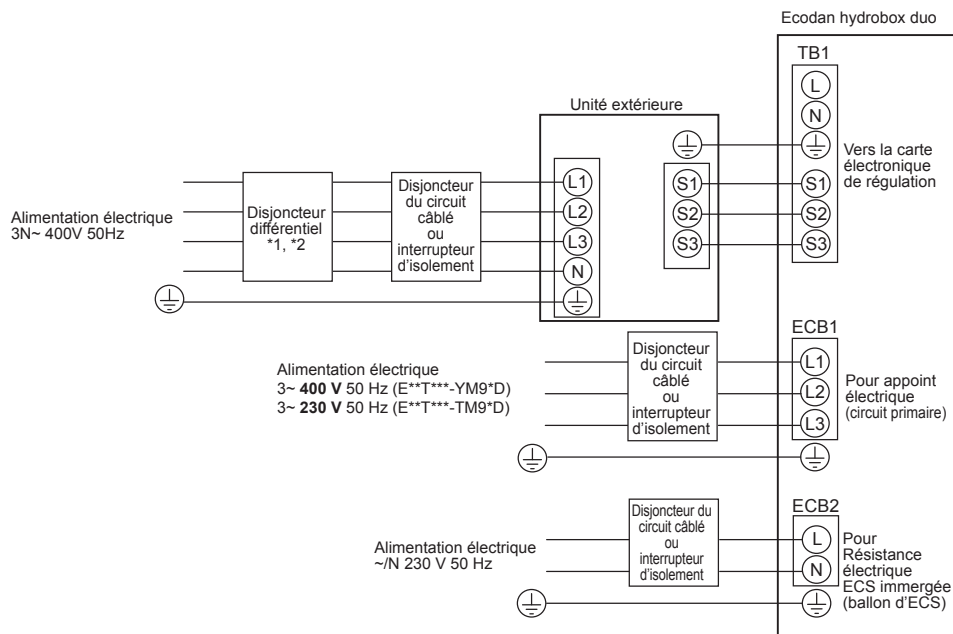
3. Installez un câble de mise à la terre plus long que les autres câbles.

4. Veillez à conserver une capacité d'alimentation de sortie suffisante pour chaque résistance. Une capacité d'alimentation de sortie insuffisante pourrait provoquer un broitement.

4 Installation

<Triphasé>

Appelez l'étiquette A fournie dans les manuels à proximité de chaque schéma de câblage de l'Ecodan hydrobox duo et des unités extérieures.



<Figure 4.4.2>
Connexions électriques triphasées

Description	Alimentation électrique	Capacité (Réf. module hydraulique)	Disjoncteur	Câblage
Appoint électrique (circuit primaire)	3~ 400 V 50 Hz	9 kW	16 A *2	2,5 mm ²
	3~ 230 V 50 Hz	9 kW	32 A *2	6,0 mm ²
Résistance électrique ECS immergée (ballon d'ECS)	~N 230 V 50 Hz	3 kW	16 A *2	2,5 mm ²

Câblage N° de câble x taille (mm ²)	Ecodan hydrobox duo - Unité extérieure	*3	3 × 1,5 (pôle)
	Mise à la terre Ecodan hydrobox duo - Unité extérieure	*3	1 × Min. 1,5
Catégorie de circuit	Ecodan hydrobox duo - Unité extérieure S1 - S2	*4	230 V CA
	Ecodan hydrobox duo - Unité extérieure S2 - S3	*4	24 V CC

- *1. Si le disjoncteur différentiel installé ne dispose pas d'une fonction de protection contre les surintensités, installez un disjoncteur disposant de cette fonction sur la même ligne d'alimentation.
- *2. Un disjoncteur avec une séparation des contacts d'au moins 3,0 mm devra être fourni. Utilisez un interrupteur différentiel (NV). Le disjoncteur devra être fourni pour assurer une déconnexion de tous les conducteurs de phase actifs de l'alimentation.
- *3. Max. 45 m
En cas d'utilisation d'une section de 2,5 mm², 50 m max.
En cas d'utilisation d'une section de 2,5 mm² et de S3 séparés, 80 m max.
- *4. Les valeurs données dans le tableau ci-dessus ne sont pas toujours mesurées par rapport à la valeur de la terre.

- Remarque :**
1. La taille des câbles doit être conforme aux codes locaux et nationaux applicables.
 2. Les cordons de connexion entre le module hydraulique et l'unité extérieure ne doivent pas être plus légers qu'un cordon souple à gaine en Néoprène. (Modèle 60245 IEC 57)
Les cordons de connexion du module hydraulique ne doivent pas être plus légers qu'un cordon souple à gaine en Néoprène. (Modèle 60227 IEC 53)
 3. Installez un câble de mise à la terre plus long que les autres câbles.
 4. Veillez à conserver une capacité d'alimentation de sortie suffisante pour chaque résistance. Une capacité d'alimentation de sortie insuffisante pourrait provoquer un broutement.

5 Configuration du système

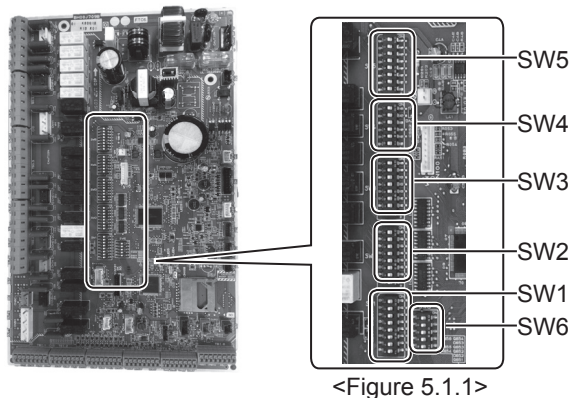
5.1 Fonction des commutateurs dip

Le numéro des commutateurs dip est imprimé sur la carte électronique à côté des commutateurs correspondants. Le mot « ON » (activé) est imprimé sur la carte électronique et sur le bloc des commutateurs dip. Pour déplacer le commutateur, vous devez utiliser une pointe, le coin d'une règle métallique mince ou un objet similaire.

Les réglages de commutateurs dip sont répertoriés ci-dessous dans le Tableau 5.1.1.

Seul un installateur autorisé peut décider s'il est nécessaire de modifier le réglage du commutateur DIP en fonction des conditions du site.

Assurez-vous de couper les alimentations électriques du module hydraulique et de l'unité extérieure avant de modifier les réglages des commutateurs.



<Figure 5.1.1>

Commutateur dip	Fonction	OFF	ON	Réglages par défaut : Modèle module hydraulique			
SW1	SW1-1 Chaudière	SANS chaudière	AVEC chaudière	OFF			
	SW1-2 Température d'eau maximale à la sortie de la pompe à chaleur	55 °C	60 °C	ON *1			
	SW1-3 Ballon d'ECS	SANS ballon d'ECS	AVEC ballon d'ECS	ON			
	SW1-4 Résistance électrique ECS immergée	SANS résistance électrique ECS immergée	AVEC résistance électrique ECS immergée	OFF: Excepté EHPT20X-MHEDW ON : EHPT20X-MHEDW			
	SW1-5 Appoint électrique	SANS appoint électrique	AVEC appoint électrique	OFF: E**T***-M*ED* ON : E**T***-M 2/6/9*D			
	SW1-6 Fonction appoint électrique	Pour chauffage seulement	Pour chauffage et eau chaude	OFF: E**T***-M*ED* ON : E**T***-M 2/6/9*D			
	SW1-7 Type d'unité extérieure	Type Split	Type Package	OFF: E*ST***-M**D ON : E*PT**X-*M**D*			
	SW1-8 Télécommande sans fil	SANS télécommande sans fil	AVEC télécommande sans fil	OFF			
SW2	SW2-1 Changement logique entrée (IN1) thermostat ambiance 1	Arrêt du fonctionnement Zone1 sur court-circuit thermostat	Arrêt du fonctionnement Zone1 sur ouverture thermostat	OFF			
	SW2-2 Changement logique entrée (IN2) régulateur de débit 1	Détection de défaillance sur court-circuit	Détection de défaillance sur ouverture	OFF			
	SW2-3 Restriction capacité de l'appoint électrique	Inactif	Fonction activée	OFF : Excepté E**T***-VM2*D ON : E**T***-VM2*D			
	SW2-4 Fonction du mode rafraîchissement	Inactif	Fonction activée	OFF: EH*T***-M**D* ON : ER*T***-M**D			
	SW2-5 Commutateur automatique pour le fonctionnement de la source de chaleur de secours (lorsque l'unité extérieure s'arrête par erreur)	Inactif	Actif *2	OFF			
	SW2-6 Bouteille de découplage	SANS bouteille de découplage	AVEC bouteille de découplage	OFF			
	SW2-7 Contrôle de la température sur 2 zones	Inactif	Actif *6	OFF			
	SW2-8 Débitmètre	SANS débitmètre	AVEC débitmètre	ON			
SW3	SW3-1 Changement logique entrée (IN6) thermostat ambiance 2	Arrêt du fonctionnement Zone2 sur court-circuit thermostat	Arrêt du fonctionnement Zone2 sur ouverture thermostat	OFF			
	SW3-2 Changement logique entrée (IN3) régulateur de débit 2	Détection de défaillance sur court-circuit	Détection de défaillance sur ouverture	OFF			
	SW3-3 Type vanne 3 voies	Moteur CA	Moteur pas à pas	OFF: Excepté E**T17X/17D/20D- M**D* ON: E**T17X/17D/20D-*M**D			
	SW3-4 Compteur énergie électrique	SANS compteur énergie électrique	AVEC compteur énergie électrique	OFF			
	SW3-5 Fonctionnement en mode de chauffage *3	Inactif	Fonction activée	ON			
	SW3-6 Contrôle marche/arrêt de la vanne sur 2 zones	Inactif	Fonction activée	OFF			
	SW3-7 Échangeur pour ECS	Serpentin dans ballon	Plaque externe HEX	ON			
	SW3-8 Compteur de chaleur	SANS Compteur de chaleur	AVEC Compteur de chaleur	OFF			
SW4	SW4-1	—	—	OFF			
	SW4-2	—	—	OFF			
	SW4-3	—	—	OFF			
	SW4-4 Fonctionnement du module hydraulique uniquement (pendant les travaux d'installation) *4	Inactif	Fonction activée	OFF			
	SW4-5 Mode urgence (fonctionnement chauffage seulement)	Normal	Mode urgence (fonctionnement chauffage seulement)	OFF *5			
	SW4-6 Mode urgence (fonctionnement chaudière)	Normal	Mode urgence (fonctionnement chaudière)	OFF *5			
SW5	SW5-1	—	—	OFF			
	SW5-2 Auto-adaptation avancée	Inactif	Fonction activée	ON			
	SW5-3	Code de capacité					
	SW5-4		SW5-3	SW5-4	SW5-5	SW5-6	SW5-7
	SW5-5	E**T**C-*M**D	ON	ON	ON	ON	OFF
	SW5-6	E**T**D-*M**D	ON	OFF	OFF	ON	OFF
	SW5-7	E**T**X-*M**D*	OFF	OFF	OFF	OFF	OFF
	SW5-8	—	—	—	—	—	OFF
SW6	SW6-1	—	—	OFF			
	SW6-2	—	—	OFF			
	SW6-3 Sonde de pression	Inactif	Fonction activée	OFF: Excepté E*ST**D-*M**D ON: E*ST**D-*M**D			
	SW6-4 Signal de sortie analogique (0 à 10 V)	Inactif	Fonction activée	OFF			
	SW6-5	—	—	—	OFF		

<Table 5.1.1>

Remarque : *1. Lorsque l'Ecodan hydrobox duo est raccordé à une unité extérieure PUMY-P dont la température d'eau maximale en sortie est de 55 °C, le commutateur dip SW1-2 doit être placé en position « OFF » (désactivé).

*2. La sortie externe (OUT11) sera disponible. Pour des raisons de sécurité, cette fonction n'est pas disponible pour certaines erreurs. (Dans ce cas, le fonctionnement du système doit être arrêté en ne conservant que la pompe de circulation de l'eau en activité.)

*3. Ce commutateur ne fonctionne que lorsque l'Ecodan hydrobox duo est raccordé à une unité extérieure PUAZ-FRP. Lorsqu'un autre type d'unité extérieure est connecté, le fonctionnement en mode de chauffage est activé, indépendamment de la position sur « ON » (activé) ou « OFF » (désactivé).

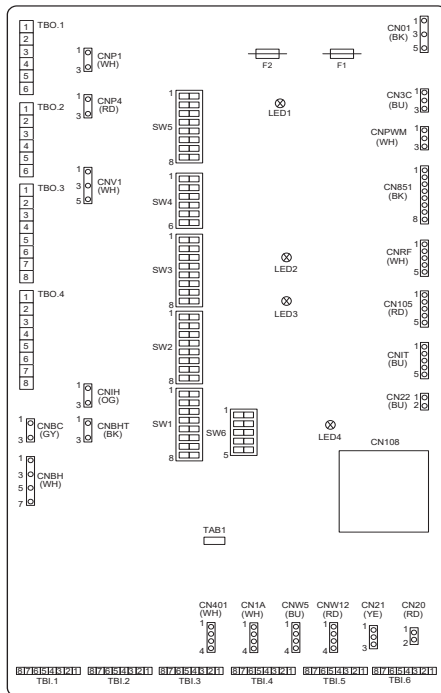
*4. Le chauffage et l'eau chaude peuvent être utilisés avec le module hydraulique fonctionnant comme un chauffage électrique. (Reportez-vous à « 5.4 Fonctionnement du module hydraulique uniquement ».)

*5. Si le mode urgence n'est plus nécessaire, remplacez le commutateur sur la position « OFF » (désactivé).

*6. Activé seulement lorsque SW3-6 est réglé sur « OFF ».

5 Configuration du système

5.2 Connexion des entrées/sorties



<Figure 5.2.1>

Caractéristiques du câblage et pièces de fourniture locale

Élément	Nom	Modèle et spécifications
Fonctionnement des signaux d'entrée	Fil du signal d'entrée	Utilisez un cordon ou un câble avec une gaine en vinyle. Max. 30 m Type de fil : CV, CVS ou équivalent Taille de fil : Fil multibrin de 0,13 mm ² à 0,52 mm ² Fil rigide : ø0,4 mm à ø0,8 mm
	Commutateur	Signaux de contact « a » sans tension Contacteur de télécommande : charge minimale applicable 12 V CC, 1 mA

Remarque :

Le fil multibrin doit être branché sur un bornier recouvert d'un isolant (type compatible avec la norme DIN46228-4).

■ Entrées des signaux

Nom	Bornier	Connecteur	Élément	« OFF » (ouvert)	« ON » (court-circuit)
IN1	TBI.1 7-8	—	Entrée thermostat d'ambiance 1 *1	Reportez-vous à SW2-1 dans <5.1 Fonction des commutateurs dip>.	
IN2	TBI.1 5-6	—	Entrée régulateur de débit 1	Reportez-vous à SW2-2 dans <5.1 Fonction des commutateurs dip>.	
IN3	TBI.1 3-4	—	Entrée régulateur de débit 2 (Zone1)	Reportez-vous à SW3-2 dans <5.1 Fonction des commutateurs dip>.	
IN4	TBI.1 1-2	—	Entrée contrôle de la demande	Normal	Source de chaleur sur OFF (désactivée)/Fonctionnement chaudière *3
IN5	TBI.2 7-8	—	Entrée thermostat extérieur *2	Fonctionnement PAC+Elec	Fonctionnement résistance/Fonctionnement chaudière *3
IN6	TBI.2 5-6	—	Entrée thermostat d'ambiance 2 *1	Reportez-vous à SW3-1 dans <5.1 Fonction des commutateurs dip>.	
IN7	TBI.2 3-4	—	Régulateur de débit 3 (Zone2)	Reportez-vous à SW3-2 dans <5.1 Fonction des commutateurs dip>.	
IN8	TBI.3 7-8	—	Compteur énergie électrique 1	*4	
IN9	TBI.3 5-6	—	Compteur énergie électrique 2		
IN10	TBI.2 1-2	—	Compteur de chaleur		
IN11	TBI.3 3-4	—	Entrée du réseau élec intelligent	*5	
IN12	TBI.3 1-2	—			
INA1	TBI.4 1-3	CN1A	Débitmètre	—	—

*1. Réglez le délai du cycle marche/arrêt du thermostat d'ambiance sur 10 minutes ou plus ; dans le cas contraire, vous risquez d'endommager le compresseur.

*2. Si vous utilisez un thermostat extérieur pour contrôler le fonctionnement des résistances, cela risque de réduire la durée de vie des résistances et des pièces qui y sont associées.

*3. Pour activer le fonctionnement de la chaudière, utilisez la télécommande principale pour sélectionner « Chaudière » dans l'écran « Paramètres entrée externe » dans le menu Mise en service/Maintenance.

*4. Compteurs d'énergie électrique et compteurs de chaleur qu'il est possible de connecter

- Type à impulsions Contact hors tension pour la détection 12 V CC par FTC (Les broches TBI.2 1, TBI.3 5 et 7 ont une tension positive.)
- Durée de l'impulsion Temps état activé minimal : 40 ms
Temps état arrêté minimal : 100 ms
- Unité d'impulsion possible 0,1 impulsion/kWh 1 impulsion/kWh 10 impulsion/kWh
100 impulsion/kWh 1 000 impulsion/kWh

Ces valeurs peuvent être définies par la télécommande principale. (Reportez-vous à l'arborescence du menu dans « Télécommande principale ».)

*5. En ce qui concerne Réseau élec intelligent, voir « 5.5 Réseau élec intelligent ».

■ Entrées des thermistances

Nom	Bornier	Connecteur	Élément	Modèle de pièce en option
TH1	—	CN20	Thermistance (Temp.Ambiante) (Option)	PAC-SE41TS-E
TH2	—	CN21	Thermistance (temp.Liquide frigo.)	—
THW1	—	CNW12 1-2	Thermistance (temp.Départ eau)	—
THW2	—	CNW12 3-4	Thermistance (temp.Retour eau)	—
THW5A	—	CNW5 1-2	Thermistance (temp. supérieure de l'eau du ballon d'ECS)	—
THW5B	—	CNW5 3-4	Thermistance (temp. inférieure de l'eau du ballon d'ECS)	—
THW6	TBI.5 7-8	—	Thermistance (temp.Départ eau Zone1) (Option) *1	PAC-TH011-E
THW7	TBI.5 5-6	—	Thermistance (temp.Retour eau Zone1) (Option) *1	
THW8	TBI.5 3-4	—	Thermistance (temp.Départ eau Zone2) (Option) *1	PAC-TH011-E
THW9	TBI.5 1-2	—	Thermistance (temp.Retour eau Zone2) (Option) *1	
THWB1	TBI.6 7-8	—	Thermistance (temp.Départ eau chaudière) (Option) *1	PAC-TH012HT-E(5 m)/
THW10	TBI.6 5-6	—	Thermistance (temp. de l'eau de la bouteille de découplage) (Option) *1	PAC-TH012HTL-E(30 m)

Veillez à câbler les fils des thermistances à une distance suffisante de la ligne d'alimentation et/ou des câblages OUT1 à 16.

*1. La longueur maximale du câblage des thermistances est de 30 m.

La longueur des thermistances en option est de 5 m. Si vous avez besoin de faire des épissures et d'allonger les câblages, les points suivants doivent être respectés.

- Connectez les câblages par brasage.
- Isoler chaque point de connexion pour le protéger contre la poussière et l'eau. Le fil multibrin doit être branché sur un bornier recouvert d'un isolant (type compatible avec la norme DIN46228-4).

5 Configuration du système

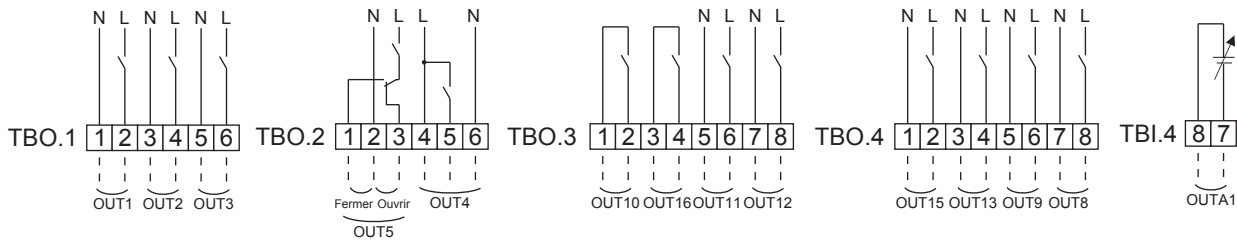
Sorties

Nom	Bornier	Connecteur	Élément	OFF	ON	Signal/courant max.	Courant total max.
OUT1	TBO.1 1-2	CNP1	Sortie pompe de circulation 1 (Chauffage/rafraîchissement et eau chaude)	OFF	ON	230 V CA 1,0 A max. (courant d'appel 40A max.)	4,0 A (a)
OUT2	TBO.1 3-4	—	Sortie pompe de circulation 2 (Chauffage/rafraîchissement pour Zone1)	OFF	ON	230 V CA 1,0 A max. (courant d'appel 40A max.)	
OUT3	TBO.1 5-6	—	Sortie pompe de circulation 3 (Chauffage/rafraîchissement pour Zone2)*1 Sortie vanne 2 voies n°2b *2	OFF	ON	230 V CA 1,0 A max. (courant d'appel 40A max.)	
OUT14	—	CNP4	Sortie pompe de circulation 4 (eau chaude)	OFF	ON	230 V CA 1,0 A max. (courant d'appel 40A max.)	
OUT4	TBO.2 4-6	CNV1	Sortie vanne 3 voies (vanne 2 voies n°)	Chauf- fage	Eau chaude	230 V CA 0,1 A max.	3,0 A (b)
	—	CN851	Sortie vanne 3 voies				
OUT5	TBO.2 1-2	—	Sortie vanne de mélange *1	Arrêt	Fermer Ouvrir	230 V CA 0,1 A max.	
	TBO.2 2-3						
OUT6	—	CNBH 1-3	Sortie appoint électrique 1	OFF	ON	230 V CA 0,5 A max. (relais)	
OUT7	—	CNBH 5-7	Sortie appoint électrique 2	OFF	ON	230 V CA 0,5 A max. (relais)	
OUT8	TBO.4 7-8	—	Sortie signal rafraîchissement	OFF	ON	230 V CA 0,5 A max.	
OUT9	TBO.4 5-6	CNIH	Sortie résistance électrique ECS immergée	OFF	ON	230 V CA 0,5 A max. (relais)	
OUT11	TBO.3 5-6	—	Sortie erreur	Normal	Erreur	230 V CA 0,5 A max.	
OUT12	TBO.3 7-8	—	Sortie dégivrage	Normal	Dégivrage	230 V CA 0,5 A max.	
OUT13	TBO.4 3-4	—	Sortie vanne 2 voies n°2a *2	OFF	ON	230 V CA 0,1 A max.	
OUT15	TBO.4 1-2	—	Signal comp « ON »	OFF	ON	230 V CA 0,5 A max.	
OUT10	TBO.3 1-2	—	Sortie chaudière	OFF	ON	Contact sans tension -220-240 V CA (30 V CC)	—
OUT16	TBO.3 3-4	—	Signal thermo ON Chauffage/Rafraîchissement	OFF	ON	0,5 A ou moins -10 mA 5 V CC ou plus	
OUTA1	TBI.4 7-8	—	Sortie analogique	0 - 10 V		0-10 V DC 5 mA max.	—

Ne raccordez pas les bornes qui sont indiquées par « — » dans le champ « Bornier ».

*1 Pour le contrôle de la température sur 2 zones.

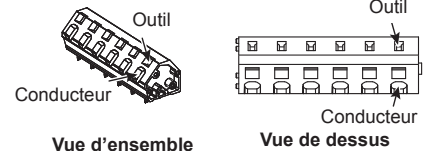
*2 Pour le contrôle marche/arrêt de la vanne sur 2 zones.



Caractéristiques du câblage et pièces de fourniture locale

Élément	Nom	Modèle et spécifications
Fonction sortie externe	Fil du signal de sortie	Utilisez un cordon ou un câble avec une gaine en vinyle. Max. 30 m Type de fil : CV, CVS ou équivalent Taille de fil : Fil multibrin de 0,25 mm ² à 1,5 mm ² Fil rigide : ø0,57 mm à ø1,2 mm

Utilisation des bornes TBO.1 à 4



Connectez-les selon les possibilités indiquées ci-dessus.

<Figure 5.2.2>

Remarque :

- Lorsque l'Ecodan hydrobox duo est alimenté via l'unité extérieure, le courant global maximal de (a)+(b) est 3,0 A.
- Ne branchez pas plusieurs pompes de circulation de l'eau directement sur chaque sortie (OUT1, OUT2, et OUT3). Dans ce cas, branchez-les via un ou plusieurs relais.
- Ne branchez pas les pompes de circulation de l'eau sur TBO.1 1-2 et CNP1 en même temps.
- Branchez un limiteur de surtension adapté sur OUT10 (TBO.3 1-2) en fonction de la charge sur site.
- Le fil multibrin doit être branché sur un bornier recouvert d'un isolant (type compatible avec la norme DIN46228-4).
- Utilisez la même chose que le fil du signal d'entrée du câblage OUTA1.

5.3 Câblage pour le contrôle de la température sur 2 zones

Connectez les tuyauteries et les composants fournis localement selon le schéma du circuit qui convient indiqué « système local » sous la section 3 de ce manuel.

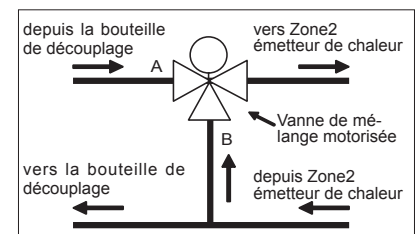
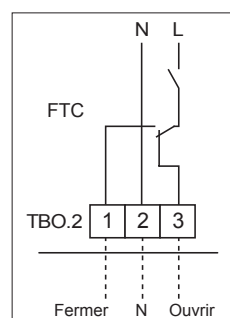
<Vanne de mélange>

Connectez la ligne du signal vers le port ouvert A (port d'entrée eau chaude) sur TBO. 2-3 (Ouvrir), la ligne du signal vers le port ouvert B (port d'entrée eau froide) sur TBO. 2-1 (Fermer), et le fil de la borne neutre sur TBO. 2-2 (N).

<Thermistance>

- N'installez pas de thermistance sur la bouteille de découplage.
- Installez la thermistance de température de départ d'eau de la Zone2 (THW8) à proximité de la vanne de mélange.
- La longueur maximale du câblage des thermistances est de 30 m.
- La longueur des thermistances en option est de 5 m. Si vous avez besoin de faire des épissures et d'allonger les câblages, les points suivants doivent être respectés.

- Connectez les câblages par brasage.
- Isolez chaque point de connexion pour le protéger contre la poussière et l'eau.



5 Configuration du système

5.4 Fonctionnement du module hydraulique uniquement (pendant les travaux d'installation)

Dans le cas où un fonctionnement de l'ECS ou du chauffage est nécessaire avant le raccordement à l'unité extérieure, c'est-à-dire pendant les travaux d'installation, il est possible d'utiliser une résistance électrique dans le module hydraulique (*1).

*1 Modèle avec résistance électrique uniquement.

1. Pour commencer l'opération

- Assurez-vous que l'alimentation du module hydraulique sur « OFF » (désactivé) et placez les interrupteurs 4-4 et 4-5 sur la position « ON » (activé).
- Mettez l'alimentation du module hydraulique sur « ON » (activé).

2. Pour terminer l'opération *2

- Mettez l'alimentation du module hydraulique sur « OFF » (désactivé).
 - Placez les interrupteurs 4-4 et 4-5 sur la position « OFF » (désactivé).
- *2 Lorsque le fonctionnement du module hydraulique seul est terminé, veuillez à vérifier les réglages une fois que le module hydraulique est connecté.

Remarque :

L'exécution prolongée de cette opération peut affecter la durée de vie de la résistance électrique.

5.5 Réseau élec intelligent

En cas de fonctionnement de l'ECS ou du chauffage, les commandes du tableau ci-dessous peuvent être utilisées.

IN11	IN12	Signification
Arrêt (ouvert)	Arrêt (ouvert)	Fonctionnement normal
Marche (fermé)	Arrêt (ouvert)	Recommandation pour la mise en marche
Arrêt (ouvert)	Marche (fermé)	Commande de mise en arrêt
Marche (fermé)	Marche (fermé)	Commande de mise en marche



5.6 Utilisation d'une carte mémoire SD

L'Ecodan hydrobox duo est équipé d'une interface de carte mémoire SD sur la carte FTC.

L'utilisation d'une carte mémoire SD peut simplifier les réglages de la télécommande principale et permet d'enregistrer les données de fonctionnement de la pompe à chaleur. *1

*1 Pour modifier les réglages de la télécommande principale ou pour vérifier les données de fonctionnement, le logiciel Ecodan SD tool est nécessaire (à utiliser avec un PC).

<Précautions à prendre pour la manipulation>

- (1) Utilisez une carte mémoire SD conforme aux normes SD. Vérifiez que la carte mémoire SD présente un logo tel que l'un de ceux représentés à droite.
- (2) Les cartes mémoire SD aux normes SD incluent les cartes mémoire SD, SDHC, mini SD, micro SD et micro SDHC. Les capacités sont disponibles jusqu'à 32 Go. Choisissez-en une avec une température maximale admissible de 55°C.
- (3) Lorsque la carte mémoire SD est une carte mémoire mini SD, mini SDHC, microSD ou micro SDHC, utilisez un adaptateur de conversion de carte mémoire SD.
- (4) Avant d'écrire sur la carte mémoire SD, déverrouillez la protection d'écriture.



- (5) Avant d'insérer ou d'éjecter une carte mémoire SD, assurez-vous de mettre le système hors tension. Si une carte mémoire SD est insérée ou éjectée alors que le système est sous tension, cela risque d'altérer les données stockées ou d'endommager la carte mémoire SD.

*Une carte mémoire SD est active pendant quelques instants après la mise hors tension du système. Avant l'insertion ou l'éjection, attendez que les voyants LED la carte électronique de régulation FTC soient tous éteints.

- (6) Les opérations de lecture et d'écriture ont été vérifiées en utilisant les cartes à mémoire SD suivantes ; toutefois, ces opérations ne sont pas toujours garanties, dans la mesure où les spécifications de ces cartes mémoire SD sont susceptibles d'être modifiées.

Fabricant	Modèle	Testé en
Verbatim	#44015	Mar. 2012
SanDisk	SDSDB-002G-B35	Oct. 2011
Panasonic	RP-SDP04GE1K	Oct. 2011
Arvato	2GB PS8032 TSB 24nm MLC	Juin. 2012
Arvato	2GB PS8035 TSB A19nm MLC	Juil. 2014
SanDisk	SDSDUN-008G-G46	Oct. 2016
Verbatim	#43961	Oct. 2016
Verbatim	#44018	Oct. 2016
VANTASTEK	VSDHC08	Sep. 2017

Avant d'utiliser une carte mémoire neuve SD (y compris la carte livrée avec l'unité), vérifiez toujours qu'il est possible de lire et d'écrire sur la carte mémoire SD avec la carte FTC.

<Comment vérifier les opérations de lecture et d'écriture>

- Vérifiez que le câblage de l'alimentation du système est correct. Pour plus de détails reportez-vous à la section 4.5.
(Ne mettez pas le système sous tension à ce stade.)
- Insérez une carte mémoire SD.
- Mettez le système sous tension.
- Le voyant LED4 s'allume si les opérations de lecture et d'écriture ce sont effectuées correctement. Si le voyant LED4 continue à clignoter ou ne s'allume pas, la carte FTC ne peut pas lire la carte mémoire SD ou écrire sur celle-ci.

- (7) Assurez-vous de suivre les instructions et les exigences du fabricant de la carte mémoire SD.
- (8) Formatez la carte mémoire SD si celle-ci s'est avérée illisible dans l'étape (6). Cela peut la rendre lisible.
Télécharger un programme de formatage de carte SD sur le site suivant.
Page d'accueil de l'association SD : <https://www.sdcard.org/home/>
- (9) Le FTC prend en charge le système de fichiers FAT mais pas le système de fichiers NTFS.
- (10) Mitsubishi Electric n'est responsable d'aucun dommage, en totalité ou en partie, y compris en cas de défaillance d'écriture sur carte mémoire SD, ainsi que d'altération et de pertes de données, ou d'autres événements similaires. Sauvegardez les données enregistrées si nécessaire.
- (11) Ne touchez aucune pièce électronique sur la carte électronique de régulation FTC lorsque vous insérez ou insérez une carte mémoire SD, car cela risquerait de provoquer une défaillance de la carte électronique de régulation.

Logos		
Capacités		
2 Go à 32 Go *2		
Classes de vitesse SD		
Toutes		

- * Le logo SD Logo est une marque déposée de SD-3C, LLC.
- Le logo mini SD est une marque déposée de SD-3C, LLC.
- Le logo micro SD est une marque déposée de SD-3C, LLC.

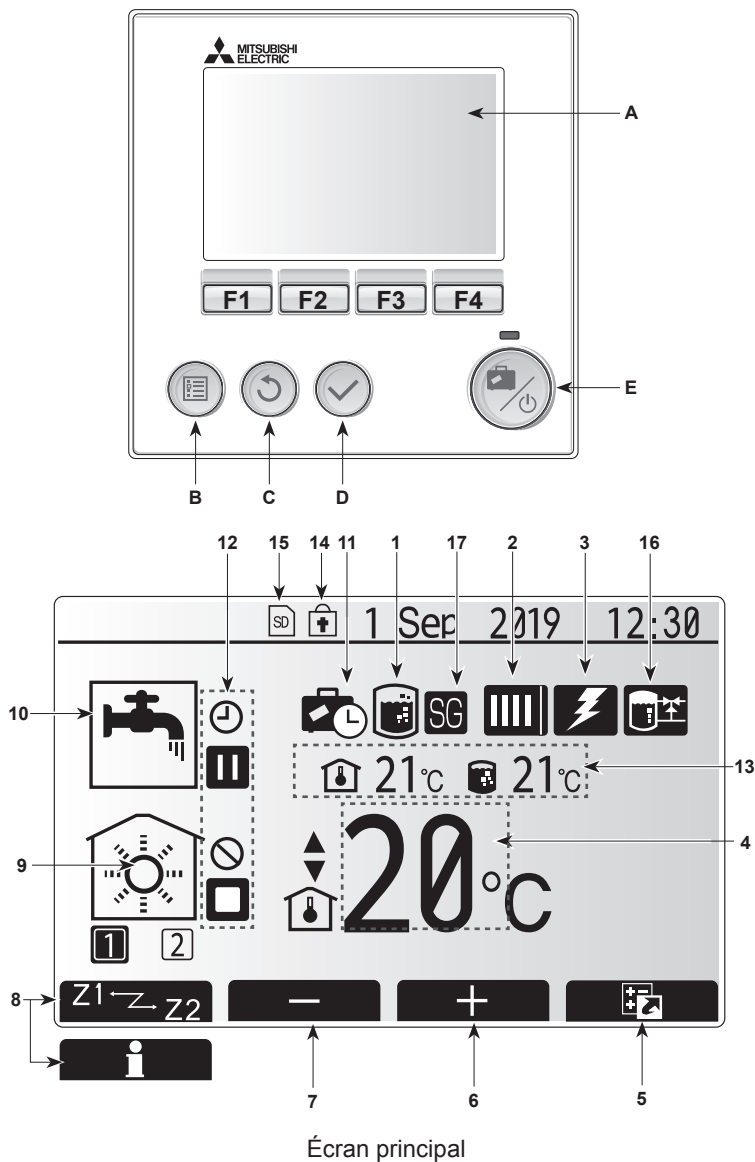
*2 Une carte mémoire SD de 2 Go stocke jusqu'à 30 jours de journaux de fonctionnement.

5 Configuration du système

5.7 Télécommande principale

Pour modifier les réglages de votre système de chauffage/rafraîchissement, veuillez utiliser la télécommande principale située sur la façade avant de l'Ecodan hydrobox duo ou de l'Ecodan hydrobox. Les points suivants représentent un guide permettant de consulter les principaux réglages. Si vous avez besoin de davantage d'informations, veuillez contacter votre installateur ou votre revendeur local Mitsubishi Electric.

Le mode de rafraîchissement est disponible pour la série ERS seulement. Cependant, le mode de rafraîchissement n'est pas disponible lorsque le module hydraulique est raccordé à PUHZ-FRP.



<Pièces de la télécommande principale>

Lettre	Nom	Fonction
A	Écran	Écran sur lequel toutes les informations sont affichées
B	Menu	Accès aux réglages du système pour la configuration initiale et les modifications.
C	Retour	Retour au menu précédent.
D	Confirmer	Utilisé pour sélectionner ou enregistrer. (Touche « Entrée »)
E	Alimentation/ Vacances	Si le système est éteint, un appui unique permet de mettre le système sous tension. Un nouvel appui lorsque le système est sous tension permet d'activer le mode vacances. Un appui sur le bouton pendant 3 secondes permet d'éteindre le système. (*1)
F1-4	Touches de fonction	Utilisées pour parcourir le menu et ajuster les réglages. La fonction est déterminée par l'écran de menu visible sur l'écran A.

*1

Lorsque le système est éteint ou lorsque l'alimentation électrique est débranchée, les fonctions de protection de l'Ecodan hydrobox duo (fonction antigel, par exemple) NE fonctionnent PAS.

Soyez conscient que sans ces fonctions de sécurité activées, l'Ecodan hydrobox duo présente un risque d'être exposé à des dommages.

<Icônes du menu principal>

	Icône	Description
1	Choc thermique	Lorsque cette icône est affichée, le « mode choc thermique » est activé.
2	Pompe à chaleur	La « pompe à chaleur » est en fonctionnement.
		Dégivrage.
		Chauffage de secours.
		Le « Mode silence » est activé
3	Résistances électrique	Lorsque cette icône est affichée, les « résistances électriques » (appoint électrique ou résistance électrique ECS immergée) sont en cours d'utilisation.
4	Température cible	Temp.départ d'eau fixe
		Régulation auto-adaptative
		Loi d'eau
5	OPTION	Un appui sur le bouton de fonction sous cette icône permet d'afficher l'écran Options.
6	+	Augmente la température souhaitée.
7	-	Diminue la température souhaitée.
8	Z1 Z2	Un appui sur le bouton de fonction sous cette icône permet de basculer entre la Zone1 et la Zone2.
	Informations	Un appui sur le bouton de fonction sous cette icône permet d'afficher le menu d'informations.
9	Mode de chauffage/rafraîchissement	Mode de chauffage Zone1 ou Zone2
		Mode rafraîchissement Zone1 ou Zone2
10	Mode ECS	Mode normal ou ECO
11	Mode vacances	Lorsque cette icône est affichée, le « mode vacances » est activé.
12	[Icons]	Programmation activée
		Interdit
		Contrôle serveur
		Pause
		En attente (*2)
		Arrêt
		Fonctionnement
13	Température actuelle	Température ambiante actuelle
		Température actuelle de l'eau du ballon d'ECS
14	[Icon]	Le bouton Menu est bloqué ou le basculement des modes de fonctionnement entre les fonctionnements Eau chaude et Chauffage est désactivé dans l'écran Options. (*3)
15	[SD Icon]	Une carte mémoire SD est insérée. Fonctionnement normal.
		Une carte mémoire SD est insérée. Fonctionnement anormal.
16	Contrôle du réservoir tampon	Lorsque cette icône est affichée, le « Contrôle du réservoir tampon » est activé.
17	Réseau électrique intelligent	Lorsque cette icône est affichée, le « Réseau électrique intelligent » est activé.

*2 Cette unité est en attente pendant que le ou les modules "hydrauliques fonctionnent en priorité."

*3 Pour verrouiller ou déverrouiller le menu, appuyez simultanément de manière prolongée sur les touches Retour et Valider pendant 3 secondes.

5 Configuration du système

■ [Assistant paramètres initiaux]

Lorsque la télécommande principale est allumée pour la première fois, l'écran passe automatiquement, dans l'ordre, sur l'écran Réglage de la langue, puis sur l'écran Réglage de la date/heure et enfin dans le menu Réglages principaux. Saisissez le nombre désiré en utilisant les touches de fonction et VALIDEZ pour confirmer.

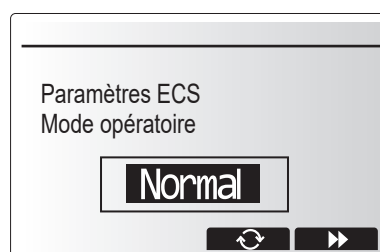
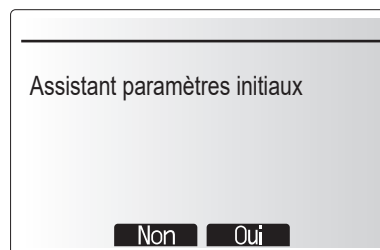
Remarque :

<[RESTRICTION CAPACITÉ CHAUF.]>

Ce réglage limite la puissance de la résistance électrique. Il n'est PAS possible de modifier ce réglage après le démarrage.

Si vous n'avez aucune exigence particulière (par exemple, des réglementations concernant la construction) dans votre pays, veuillez passer ce réglage (sélectionnez « Non »).

- [Eau chaude (eau chaude/Choc thermique)]
- [Chaud]
- [Mode opératoire (ON/Interdit/Programmation)]
- [Vitesse circulateur]
- [Temp départ eau pompe chal.]
- [Contrôle vanne de mélange]
- [RESTRICTION CAPACITÉ CHAUF.]



■ Menu Réglages principaux

Il est possible d'accéder au menu des réglages principaux en appuyant sur le bouton MENU. Pour diminuer le risque que des utilisateurs non formés modifient de manière accidentelle les réglages, il existe deux niveaux d'accès aux réglages principaux, et le menu de la section maintenance comporte un mot de passe.

Niveau utilisateur - Appui court

Si vous appuyez une fois sur le bouton MENU pendant un court instant, les réglages principaux s'affichent mais la fonction de modification n'est pas disponible. Cela permet à l'utilisateur de consulter les réglages actuels mais PAS de modifier les paramètres.

Niveau installateur - Appui long

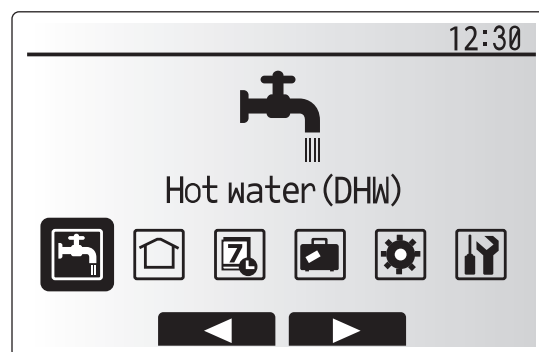
Si vous appuyez sur le bouton MENU pendant 3 secondes, les réglages principaux s'affichent et toutes les fonctionnalités sont disponibles.

La couleur des boutons ◀▶ est inversée conformément à la figure de droite.

<Figure 5.7.1>

Il est possible de consulter ou de modifier les éléments suivants (en fonction du niveau d'accès).

- [Eau chaude sanitaire]
- [Chauffage/rafraîchissement]
- [Programmation]
- [Mode vacances]
- [Réglage initial]
- [Mise en service/Maintenance] (protégé par mot de passe)



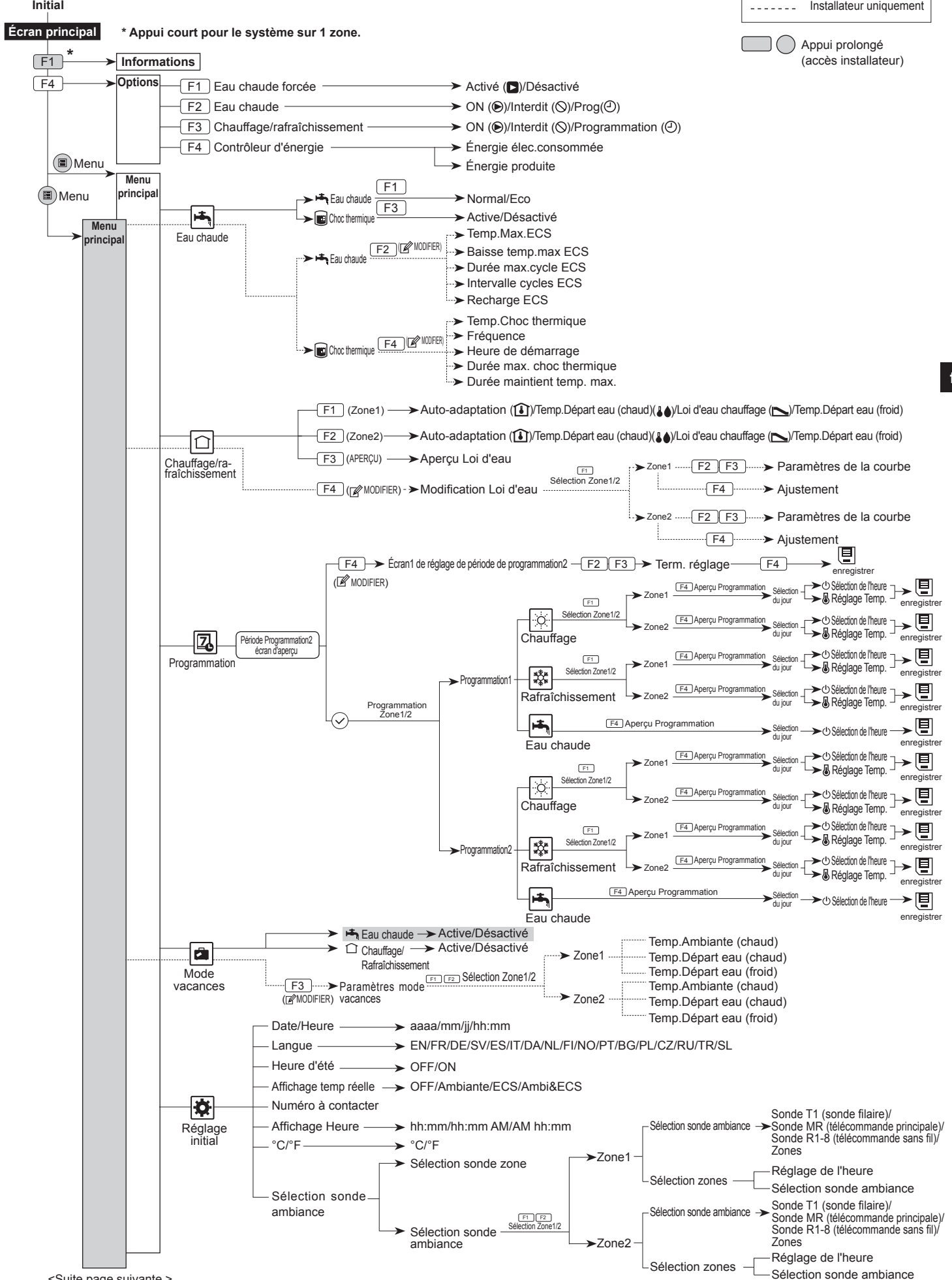
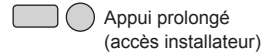
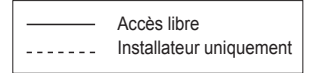
Menu principal



<Figure 5.7.1>

5 Configuration du système

<Arborescence du menu de la télécommande principale>



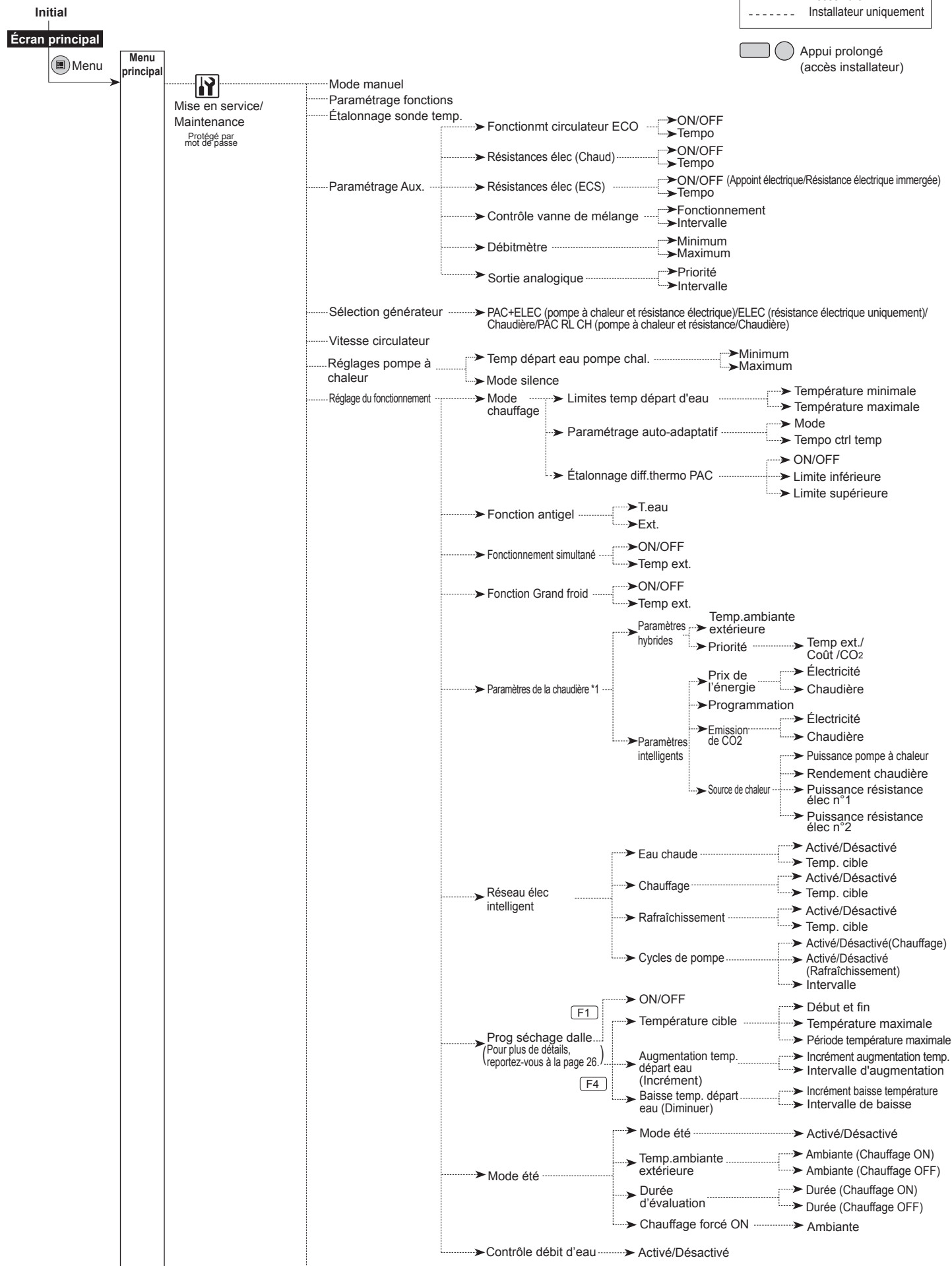
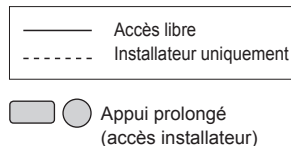
fr

<Suite page suivante.>

5 Configuration du système

<Suite de la page précédente.>

<Arborescence du menu de la télécommande principale>



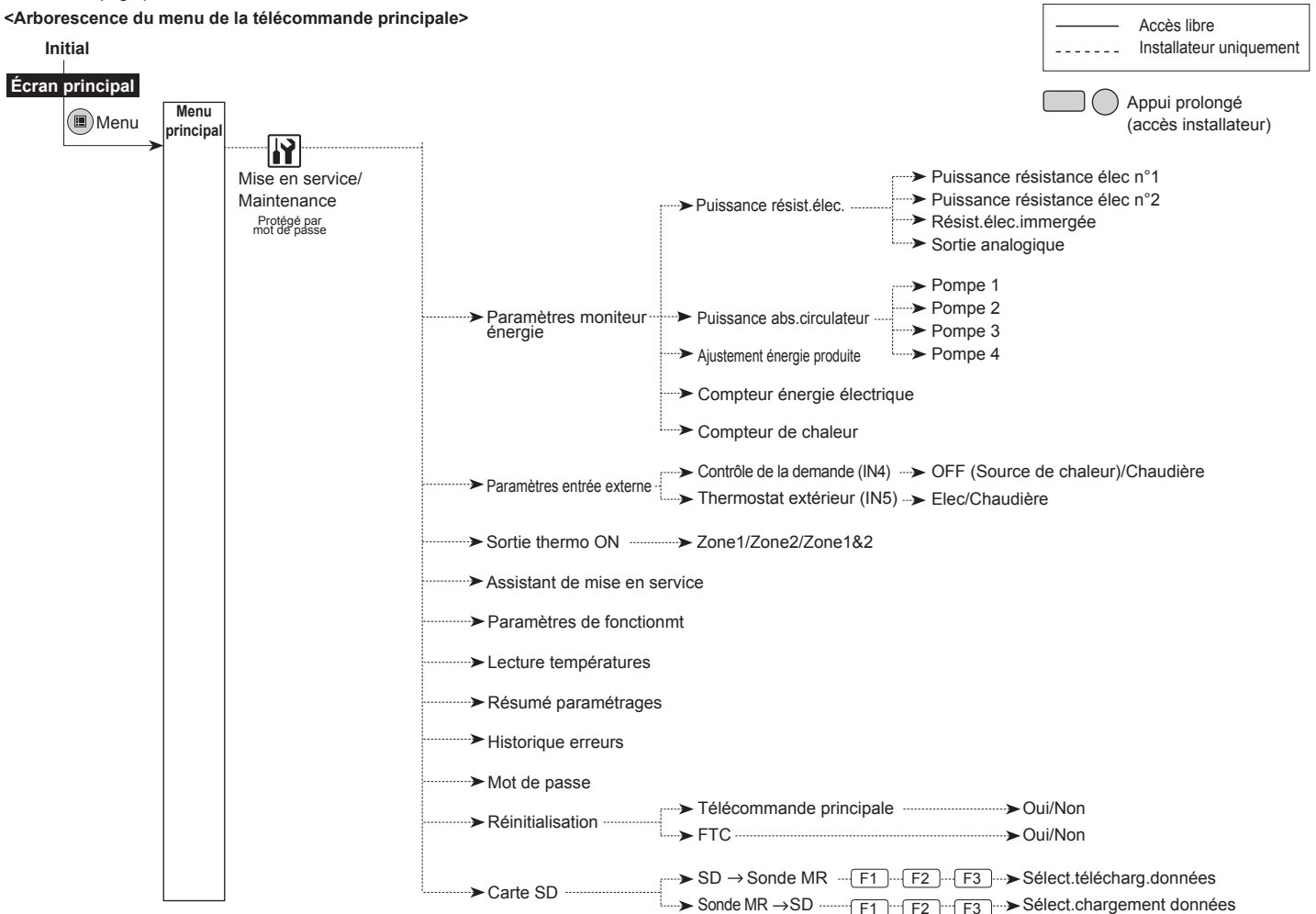
*1 Pour plus de détails, reportez-vous au manuel d'installation de PAC-TH012HT(L)-E.

fr

5 Configuration du système

<Suite de la page précédente.>

<Arborescence du menu de la télécommande principale>

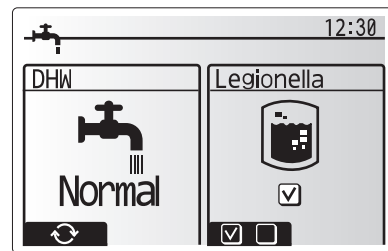


Eau chaude sanitaire/Choc thermique

Les menus Eau chaude sanitaire et Choc thermique contrôlent le fonctionnement du ballon d'ECS.

<Paramètres du mode ECS>

- Sélectionnez l'icône d'eau chaude et VALIDEZ pour confirmer.
- Utilisez le bouton F1 pour basculer entre les modes de chauffage Normal et ECO.
- Pour modifier le mode, appuyez sur le bouton MENU pendant 3 secondes, puis sélectionnez « eau chaude ».
- Appuyez sur la touche F2 pour afficher le menu PARAMÈTRES ECS.
- Utilisez les touches F2 et F3 pour défiler dans le menu et sélectionnez chaque composant à tour de rôle en VALIDANT pour confirmer. Voir le tableau ci-dessous pour la description de chaque réglage.
- Saisissez le nombre désiré en utilisant les touches de fonction et VALIDEZ pour confirmer.



Sous-titre de menu	Fonction	Plage	Unité	Valeur par défaut
Temp.Max.ECS	Température souhaitée de l'eau chaude stockée	40 - 60	°C	50
Baisse temp.max. ECS	Différence de température entre la température d'eau chaude maximale et la température à laquelle le mode ECS redémarre	5 - 30 *	°C	10
Durée max.cycle ECS	Durée maximale allouée pour le mode ECS de chauffage de l'eau stockée	30 - 120	min	60
Intervalle cycles ECS	Durée après le mode ECS pendant laquelle le chauffage a momentanément priorité sur le mode ECS pour empêcher un chauffage supplémentaire de l'eau stockée (Seulement lorsque la Durée max.cycle ECS est écoulee.)	30 - 120	min	30

* Lorsque la température d'ECS maximum est réglée à plus de 55°C, le mode ECS doit redémarrer à une température inférieure à 50°C afin de protéger l'appareil.

<Mode Eco>

Le mode ECS peut fonctionner soit en mode « Normal », soit en mode « Eco ». Le mode Normal chauffera l'eau dans le ballon d'ECS plus rapidement en utilisant toute la puissance de la pompe chaleur. Le mode Eco met un peu plus de temps à chauffer l'eau dans le ballon d'ECS mais il utilise moins d'énergie. Cela est dû au fait que le fonctionnement de la pompe à chaleur est limité par l'utilisation des signaux provenant du FTC basés sur la température mesurée du ballon d'ECS.

Remarque : L'énergie réelle économisée en mode Eco varie en fonction de la température extérieure.

<[Recharge ECS]>

Sélectionnez la quantité d'ECS. Si vous avez besoin de beaucoup d'eau chaude, sélectionnez GRAND, mais augmenter les coûts d'exploitation.

Retournez au menu ECS/Choc thermique.

fr

5 Configuration du système

Réglages du mode choc thermique (mode CT)

1. Utilisez le bouton F3 pour choisir d'activer le mode CT par OUI/NON.
2. Pour modifier la fonction Choc thermique, appuyez sur le bouton MENU pendant 3 secondes et sélectionnez « eau chaude », puis appuyez sur la touche F4.
3. Utilisez les touches F1 et F2 pour parcourir le menu et sélectionnez chaque sous-titre à tour de rôle en VALIDANT pour confirmer. Voir le tableau ci-dessous pour la description de chaque réglage.
4. Saisissez le nombre désiré en utilisant les touches de fonction et VALIDEZ pour confirmer.

Pendant le mode Choc thermique, la température de l'eau stockée est augmentée au-dessus de 60 °C afin d'empêcher la croissance de la bactérie légionelle. Il est vivement recommandé que cela s'effectue à intervalles réguliers. Vérifiez les réglementations locales pour connaître la fréquence recommandée des cycles de chauffe.

Remarque : En cas de défaillance sur l'Ecodan hydrobox, il se peut que le mode CT ne fonctionne pas normalement.

Notez que le mode CT utilise l'assistance des résistances électriques pour compléter l'énergie d'entrée de la pompe à chaleur. Le chauffage de l'eau pendant des périodes prolongées n'est pas efficace et augmentera les coûts de fonctionnement. L'installateur doit examiner attentivement la nécessité d'un traitement de prévention contre la légionelle, tout en ne gaspillant pas l'énergie en chauffant l'eau stockée pendant des durées excessives. L'utilisateur doit comprendre l'importance de cette fonction.

CONFORMEZ-VOUS TOUJOURS AUX RECOMMANDATIONS LOCALES ET NATIONALES DE VOTRE PAYS EN CE QUI CONCERNE LA PRÉVENTION CONTRE LA LEGIONELLE.

Sous-titre de menu	Fonction	Plage	Unité	Valeur par défaut
Temp.Choc thermique	Température souhaitée de l'eau chaude stockée	60–70	°C	65
Fréquence	Durée entre le chauffage du ballon d'ECS en mode CT	1–30	jour	15
Heure de démarrage	Heure à laquelle le mode CT va démarrer	0:00–23:00	—	03:00
Durée max. choc thermique	Durée maximale autorisée pour le chauffage du ballon d'ECS en mode CT	1–5	heure	3
Durée maintient temp. max.	Période de temps après que la température d'eau souhaitée en mode CT a été atteinte	1–120	min	30

[Réglage initial]

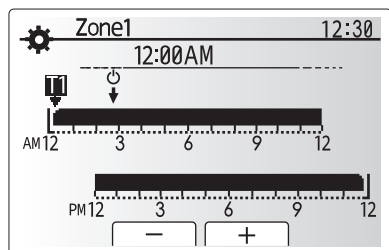
Dans le menu Réglage initial, l'installateur peut définir les éléments suivants :

- [Date/Heure] *Veillez à la configurer sur l'heure locale standard.
- [Langue]
- [Heure d'été]
- [Affichage temp réelle]
- [Numéro à contacter]
- [Affichage Heure]
- [°C/°F]
- [Sélection sonde ambiance]

Suivez la procédure décrite dans la section Fonctionnement général pour l'opération de configuration.

<[Sélection sonde ambiance]>

Pour la sélection de la sonde ambiance, il est important de choisir la sonde ambiance correcte en fonction du mode de chauffage selon lequel va fonctionner le système.



Écran Paramètre de programmation zones

Sous-titre de menu	Description																				
Sélection sonde zone	Lorsque la commande de température sur 2 zones est active et lorsque les télécommandes sans fil sont disponibles, sélectionnez dans l'écran Sélection sonde zone le numéro de zone à affecter à chaque télécommande.																				
Sélection sonde ambiance	Dans l'écran Sélection sonde ambiance, sélectionnez la sonde ambiance à utiliser pour surveiller séparément la température ambiante de la Zone1 et de la Zone2. <table border="1" style="width: 100%; margin-top: 10px;"> <thead> <tr> <th rowspan="2">Option de commande (Manuel du site Web)</th> <th colspan="2">Capteur d'ambiance correspondant dans le réglage initial</th> </tr> <tr> <th>Zone1</th> <th>Zone2</th> </tr> </thead> <tbody> <tr> <td>A</td> <td>Sonde RC 1-8 (une de chaque pour Zone1 et Zone2)</td> <td>*1</td> </tr> <tr> <td>B</td> <td>Sonde T1</td> <td>*1</td> </tr> <tr> <td>C</td> <td>Sonde MR</td> <td>*1</td> </tr> <tr> <td>D</td> <td>*1</td> <td>*1</td> </tr> <tr> <td>Lorsque des sondes d'ambiance différentes sont utilisées selon la programmation de l'heure</td> <td>Zones*2</td> <td>*1</td> </tr> </tbody> </table>	Option de commande (Manuel du site Web)	Capteur d'ambiance correspondant dans le réglage initial		Zone1	Zone2	A	Sonde RC 1-8 (une de chaque pour Zone1 et Zone2)	*1	B	Sonde T1	*1	C	Sonde MR	*1	D	*1	*1	Lorsque des sondes d'ambiance différentes sont utilisées selon la programmation de l'heure	Zones*2	*1
Option de commande (Manuel du site Web)	Capteur d'ambiance correspondant dans le réglage initial																				
	Zone1	Zone2																			
A	Sonde RC 1-8 (une de chaque pour Zone1 et Zone2)	*1																			
B	Sonde T1	*1																			
C	Sonde MR	*1																			
D	*1	*1																			
Lorsque des sondes d'ambiance différentes sont utilisées selon la programmation de l'heure	Zones*2	*1																			

- *1. Non spécifié (en cas d'utilisation d'un thermostat d'ambiance fourni localement Sondes RC1-8 (une de chaque pour Zone1 et Zone2) (En cas d'utilisation d'une télécommande sans fil comme thermostat d'ambiance)
- *2. Dans l'écran Sélection sonde ambiance, sélectionnez Zones pour permettre l'utilisation de différentes sondes d'ambiance conformément à la programmation de l'heure définie dans le menu Sélection zones. Les sondes d'ambiance peuvent être permutées jusqu'à 4 fois par 24 heures.

MR: Télécommande principale
RC1-8: Télécommande sans fil
T1: Sonde de température filaire

[Menu [Mise en service/Maintenance]]

Le menu Mise en service/Maintenance fournit des fonctions qui servent à l'installateur ou au technicien d'entretien. Il N'EST pas prévu que le propriétaire de l'habitation modifie les réglages de ce menu. Pour cette raison, un mot de passe est nécessaire afin d'éviter un accès non autorisé aux réglages pour la maintenance.

Le mot de passe d'usine par défaut est « 0000 ».

Suivez la procédure décrite dans la section Fonctionnement général pour l'opération de configuration.

De nombreuses fonctions ne peuvent pas être définies pendant que le module hydraulique est en fonctionnement. L'installateur doit éteindre l'unité avant d'essayer de définir ces fonctions. Si l'installateur essaye de modifier les réglages pendant que l'unité est en fonctionnement, la télécommande principale affichera un message de rappel invitant l'installateur à arrêter le fonctionnement avant de poursuivre. Si vous choisissez « Oui », cela arrête l'unité.

<Mode manuel>

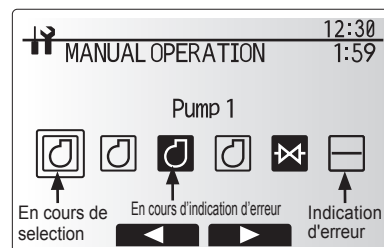
Pendant le remplissage du système, il est possible de forcer manuellement la pompe de circulation du circuit primaire et la vanne 3 voies en utilisant le mode manuel.

Lorsque le mode manuel est sélectionné, une petite icône de programmeur apparaît sur l'écran.

Lorsqu'il est sélectionné, cette fonction reste en mode manuel pendant 2 heures au maximum. Cela sert à éviter une neutralisation accidentelle permanente de la régulation FTC.

► Exemple

Un appui sur le bouton F3 active le mode manuel de la vanne 3 voies principale. Lorsque le remplissage du ballon d'ECS est terminé, l'installateur doit accéder de nouveau à ce menu et appuyer sur le bouton F3 pour désactiver le mode manuel de l'élément. D'autre part, au bout de 2 heures, le mode manuel n'est plus actif et la régulation FTC peut reprendre le contrôle de l'Ecodan hydrobox duo.



Écran du menu Mode manuel

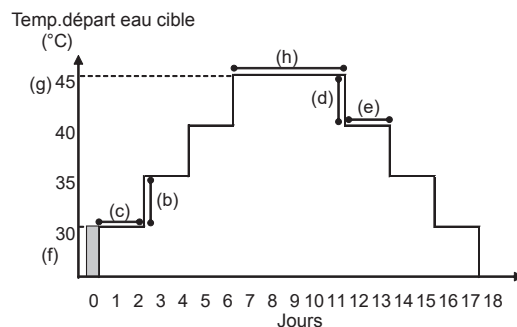
5 Configuration du système

Il n'est pas possible de sélectionner le Mode manuel et la Sélection générateur si le système est en fonctionnement. Dans ce cas, un écran s'affichera pour demander à l'installateur d'arrêter le système avant de pouvoir activer ces modes. Le système s'arrête automatiquement 2 heures après la dernière opération.

<[Prog séchage dalle]>

La fonction Fonction Séchage de dalle neuve modifie automatiquement la température d'eau chaude cible par étapes pour assécher progressivement le béton lorsque ce type particulier de système de plancher chauffant est installé.

Lorsque l'opération est terminée, le système arrête toutes les opérations sauf le fonctionnement antigel.
Pour la Fonction séchage de dalle neuve, la temp. Départ eau cible de la Zone1 est la même que celle de la Zone2.



- Cette fonction n'est pas disponible lorsqu'une unité extérieure PUHZ-FRP est connectée.
- Déconnectez le câblage vers les entrées externes du thermostat d'ambiance, du contrôle de la demande et du thermostat extérieur, sinon la température de départ d'eau cible risque de ne pas être maintenue.

Fonctions	Symbole	Description	Option/Plage	Unité	Valeur par défaut	
Prog séchage dalle	a	Réglez la fonction sur ON (activé) et mettez le système sous tension en utilisant la télécommande principale, ce qui provoquera le démarrage du chauffage pour le séchage.	Activé/Désactivé	—	Désactivé	
Augmentation temp. départ eau (augmenter)	Palier augmentation temp	b	Définit le pas d'augmentation de la température de départ eau cible.	+1 à +10	°C	+5
	Intervalle d'augmentation	c	Définit la période pendant laquelle la même température de départ eau cible est maintenue.	1 à 7	jour	2
Augmentation temp. départ eau (diminuer)	Palier baisse température	d	Définit le pas de diminution de la température de départ eau cible.	-1 à -10	°C	-5
	Intervalle de baisse	e	Définit la période pendant laquelle la même température de départ eau cible est maintenue.	1 à 7	jour	2
Température cible	Début et fin	f	Définit la température de départ eau cible au début et à la fin de l'opération.	20 à 60	°C	30
	Température cible maximale	g	Définit la température de départ eau cible maximale.	20 à 60	°C	45
	Période température maximale	h	Définit la période pendant laquelle la même température de départ eau cible maximale est maintenue.	1 à 20	jour	5

<[Mot de passe]>

Un mot de passe est disponible pour empêcher un accès non autorisé au menu Mise en service/Maintenance par des personnes non formées.

Réinitialisation du mot de passe

Si vous oubliez le mot de passe que vous avez saisi, ou si vous devez effectuer la maintenance sur une unité installée par une autre personne, vous pouvez réinitialiser le mot de passe à la valeur d'usine par défaut de **0000**.

1. Dans le menu Réglages principaux, faites défiler les fonctions vers le bas jusqu'à mettre en évidence le menu Mise en service/Maintenance.
2. VALIDEZ pour confirmer.
3. Vous serez invité à saisir un mot de passe.
4. Maintenez les boutons F3 et F4 appuyés pendant 3 secondes.
5. Il vous est demandé si vous souhaitez poursuivre et réinitialiser le mot de passe au réglage par défaut.
6. Pour réinitialiser, appuyez sur le bouton F3.
7. Le mot de passe est maintenant réinitialisé à **0000**.

<[Réinitialisation manuelle]>

Si vous souhaitez réinitialiser les réglages d'usine à un moment quelconque, vous devez utiliser la fonction de réinitialisation manuelle. Notez que cela réinitialisera TOUTES les fonctions aux réglages d'usine par défaut.



Écran de saisie du mot de passe



Écran de vérification du mot de passe

6 Mise en service

■ Essai préalable à la mise en route - circuit potable/ECS

Procédure de remplissage initial :

Assurez-vous que tous les raccords de tuyaux et les raccords sont serrés fermement.

Ouvrez le robinet/la sortie ECS le plus éloigné.

Ouvrez lentement/progressivement l'alimentation en eau principale pour commencer à remplir l'unité et la tuyauterie d'eau chaude.

Laissez le robinet le plus éloigné couler librement et libérez/purgez l'air résiduel de l'installation.

Fermez le robinet/la sortie pour maintenir le système complètement en charge.

Remarque : Lorsqu'une résistance électrique immergée est utilisée, n'utilisez PAS la résistance tant que le ballon d'ECS n'est pas rempli d'eau. De même, NE mettez PAS sous tension une résistance électrique immergée tant que des éléments chimiques utilisés pour la stérilisation demeurent dans le ballon d'ECS, car cela provoquera une défaillance prématurée de la résistance.

Procédure de rinçage initial :

Mettez le système sous tension pour chauffer le contenu de l'Ecodan hydrobox duo à une température d'environ 30 à 40 °C.

Rincez/purgez le contenu en eau afin d'éliminer tous les résidus ou impuretés résultant des travaux d'installation. Utilisez la vanne de purge de l'Ecodan hydrobox duo pour évacuer en toute sécurité l'eau chauffée vers l'évacuation via un flexible approprié.

Lorsque cela est terminé, fermez la vanne de purge, remplissez à nouveau le système et reprenez la mise en service.

7 Entretien et maintenance

■ Codes d'erreur

Code	Erreur	Action
L3	Protection thermique de la température de circulation d'eau	Le débit peut être réduit, contrôlez les éléments suivants : <ul style="list-style-type: none"> • Fuite d'eau • Colmatage du filtre • Fonctionnement de la pompe de circulation de l'eau (Un code d'erreur peut s'afficher pendant le remplissage du circuit primaire, terminez le remplissage et effacez le code d'erreur.)
L4	Protection thermique de la température d'eau du ballon d'ECS	Vérifiez la résistance électrique ECS immergée et son contacteur.
L5	Défaillance d'une thermistance (THW1, THW2, THW5A, THW5B THW6, THW7, THW8, THW9) de température du module hydraulique	Vérifiez la résistance de part et d'autre de la thermistance.
L6	Protection antigel de la circulation	Voir Action pour L3.
L8	Erreur de fonctionnement du chauffage	Vérifiez et refixez les thermistances qui se seraient détachées.
L9	Détection d'un faible débit dans le circuit primaire par le débitmètre ou un contrôleur de débit (contrôleurs de débit 1, 2, 3)	Voir Action pour L3. Si le débitmètre ou le contrôleur de débit ne fonctionne pas, remplacez-le. Attention : les vannes de la pompe peuvent être chaudes, faites attention.
LA	Défaillance de la sonde de pression	Vérifiez le câble de la sonde de pression en recherchant des dommages ou des connexions desserrées.
LB	Protection haute pression	<ul style="list-style-type: none"> • Le débit du circuit de chauffage est peut-être réduit. Vérifiez le circuit d'eau. • L'échangeur à plaques est peut-être obstrué. Vérifier l'échangeur à plaques. • Défaillance de l'unité extérieure. Reportez-vous au manuel SAV de l'unité extérieure.
LC	Protection thermique de la température de circulation de la chaudière	<p>Vérifiez si la température de réglage de la chaudière pour le chauffage dépasse la limite. (Voir le manuel des thermistances, « PAC-TH012HT-E" »)</p> <p>Le débit du circuit de chauffage provenant de la chaudière est peut-être réduit. Recherchez les éléments suivants :</p> <ul style="list-style-type: none"> • fuite d'eau, • colmatage du filtre • fonctionnement de la pompe de circulation de l'eau.
LD	Défaillance d'une thermistance (THWB1) de température chaudière	Vérifiez la résistance de part et d'autre de la thermistance.
LE	Erreur de fonctionnement de la chaudière	Voir Action pour L8. Vérifiez l'état de la chaudière.
LF	Défaillance du débitmètre	Vérifiez le câble du débitmètre en recherchant des dommages ou des connexions desserrées.
LH	Protection antigel de la circulation de la chaudière	Le débit du circuit de chauffage provenant de la chaudière est peut-être réduit. Recherchez les éléments suivants : <ul style="list-style-type: none"> • fuite d'eau • colmatage du filtre • fonctionnement de la pompe de circulation de l'eau.
LJ	Erreur de fonctionnement ECS (type de plaque externe HEX)	<ul style="list-style-type: none"> • Recherchez des déconnexions de la thermistance temp. inférieure eau ballon d'ECS (THW5B). • Le débit du circuit sanitaire est peut-être réduit. • Vérifiez le fonctionnement de la pompe de circulation de l'eau. (Primaire/ sanitaire)
LL	Erreur de réglage des commutateurs DIP sur la carte électronique de régulation FTC	Pour le fonctionnement de la chaudière, vérifiez que le commutateur DIP SW1-1 est réglé sur ON (Avec chaudière) et que le commutateur DIP SW2-6 est réglé sur ON (Avec bouteille de découplage). Pour le contrôle de la température sur 2 zones, vérifiez que le commutateur DIP SW2-7 est réglé sur ON (2 zones) et que le commutateur DIP SW2-6 est réglé sur ON (Avec bouteille de découplage).
LP	Hors de la plage de débit d'eau pour l'unité extérieure de la pompe à chaleur	Vérifiez l'installation sur le Tableau 4.3.1 Vérifiez les réglages de la télécommande (Menu Mise en service/Maintenance / limites de départ d'eau de la pompe à chaleur) Voir Action pour L3.
P1	Défaillance de la thermistance (temp. ambiante) (TH1)	Vérifiez la résistance de part et d'autre de la thermistance.
P2	Défaillance de la thermistance (temp. Liquide frigo.) (TH2)	Vérifiez la résistance de part et d'autre de la thermistance.
P6	Protection antigel de l'échangeur à plaque	Voir Action pour L3. Vérifiez que la quantité de fluide frigorigène est correcte.
J0	Erreur de communication entre le FTC et le récepteur sans fil	Vérifiez le câble de connexion en recherchant des dommages ou des connexions desserrées.
J1 - J8	Erreur de communication entre le récepteur sans fil et la télécommande sans fil	Vérifiez si la batterie de la télécommande sans fil n'est pas épuisée. Vérifiez l'appariement entre le récepteur sans fil et la télécommande sans fil. Testez la communication sans fil. (voir le manuel du système sans fil)
E0 - E5	Défaillance de communication entre la télécommande principale et le FTC	Vérifiez le câble de connexion en recherchant des dommages ou des connexions desserrées.
E6 - EF	Erreur de communication entre le FTC et l'unité extérieure	Vérifiez que l'unité extérieure n'a pas été éteinte. Vérifiez le câble de connexion en recherchant des dommages ou des connexions desserrées. Reportez-vous au manuel SAV de l'unité extérieure.
E9	L'unité extérieure ne reçoit aucun signal en provenance du module hydraulique.	Vérifiez que les deux unités sont en marche. Vérifiez le câble de connexion en recherchant des dommages ou des connexions desserrées. Reportez-vous au manuel SAV de l'unité extérieure.
EE	Erreur de combinaison entre le FTC et l'unité extérieure	Vérifiez la combinaison entre le FTC et l'unité extérieure.
U*, F*	Défaillance de l'unité extérieure	Reportez-vous au manuel SAV de l'unité extérieure.
A*	Erreur de communication M-NET	Reportez-vous au manuel SAV de l'unité extérieure.

Remarque : Pour annuler les codes d'erreur, éteignez le système (appuyez sur le bouton F4(Réinitialiser), sur la télécommande principale).

7 Entretien et maintenance

■ Maintenance annuelle

Il est indispensable que l'entretien de l'Ecodan hydrobox duo fasse l'objet d'une maintenance au moins une fois par an par une personne qualifiée. Toutes les pièces de rechange nécessaires doivent être achetées auprès de Mitsubishi Electric. NE contournez JAMAIS les dispositifs de sécurité et ne faites pas fonctionner l'unité lorsqu'ils ne sont pas pleinement opérationnels. Pour plus d'informations, reportez-vous au manuel de maintenance.

Remarque

- Au cours des deux premiers mois qui suivent l'installation, retirez et nettoyez le filtre de l'Ecodan hydrobox duo ainsi que tous ceux potentiellement installés à l'extérieur de l'Ecodan hydrobox duo. Cela est particulièrement important pour une installation sur un système de tuyauterie ancien/existant.
- La PRV et la soupape T&P (n° 8, 20 et 21 sur la Figure 3.1) doivent être vérifiées annuellement en tournant la manette manuellement afin que la solution soit vidangée, nettoyant ainsi le siège du joint.

Outre la maintenance annuelle, il est nécessaire de remplacer ou d'inspecter certaines pièces au bout d'un certain temps de fonctionnement. Pour des instructions détaillées, consultez les tableaux ci-dessous. Le remplacement et l'inspection des pièces doit toujours être effectués par une personne compétente ayant reçu une formation appropriée et disposant des qualifications adaptées.

Pièces nécessitant un remplacement régulier

Pièces	À remplacer tous les	Défaillances possibles
Soupape de sécurité Manomètre Groupe de commande entrée (ICG)*	6 ans	Fuite d'eau

* PIÈCES EN OPTION pour le Royaume-Uni

Pièces nécessitant une inspection régulière

Pièces	À vérifier tous les	Défaillances possibles
Soupape de sécurité (3bar) Température et soupape de sécurité	1 an (tourner la manette manuellement)	La PRV sera fixée et le vase d'expansion explosera
Résistance électrique ECS immergée	2 ans	Perte à la terre provoquant l'activation du disjoncteur (la résistance est toujours à l'arrêt)
Pompe de circulation	20 000 heures (3 ans)	Défaillance de la pompe de circulation de l'eau

Pièces qui NE doivent PAS être réutilisées lors de la maintenance

- * Joint torique
- * Joint statique

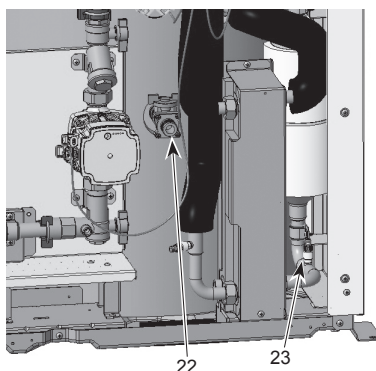
Remarque

- remplacez toujours le joint statique de la pompe par un joint statique neuf lors de chaque opération de maintenance régulière (toutes les 20 000 heures d'utilisation ou tous les 3 ans).

<Purge de l'Ecodan hydrobox duo et de son circuit de chauffage sanitaire (local)>

AVERTISSEMENT : L'EAU CHAUDE PURGÉE PEUT ÊTRE TRÈS CHAUDE

1. Avant d'essayer de purger l'Ecodan hydrobox duo, isolez-le de l'alimentation électrique afin d'éviter que les résistances électriques immergées et les appoints électriques brûlent.
2. Isolez l'alimentation en eau froide vers le ballon d'ECS.
3. Ouvrez un robinet d'eau chaude afin de permettre la purge sans créer de vide.
4. Fixez un flexible sur les vannes de purge du ballon d'ECS (n° 22 et 23 sur la Figure 7.1). Le flexible doit pouvoir supporter la chaleur, car l'eau purgée peut être très chaude. Le flexible doit purger l'eau à un endroit situé en dessous du ballon d'ECS afin de faciliter le siphonnage. Commencez la purge en ouvrant la vanne de purge.
5. Lorsque la purge du ballon d'ECS est terminée, fermez la vanne de purge et le robinet d'eau chaude.
6. Pour le circuit primaire, fixez un flexible sur les vannes de purge du circuit d'eau (n° 6 sur la Figure 3.1). Le flexible doit pouvoir supporter la chaleur, car l'eau purgée peut être très chaude. Le flexible doit purger l'eau à un endroit situé en dessous de la vanne de purge afin de faciliter le siphonnage. Ouvrez les vannes de pompe et les vannes filtres.
7. Il reste de l'eau dans le filtre après la purge de l'Ecodan hydrobox duo.
Purgez le filtre en retirant le cache du filtre.



<Figure 7.1>

7 Entretien et maintenance

■ Formulaire à usage des techniciens

Si les réglages sont modifiés par rapport aux valeurs par défaut, saisissez et enregistrez le nouveau réglage dans la colonne « Réglage sur site ». Cela facilitera la réinitialisation dans le futur si l'utilisation du système est modifiée ou si la carte de circuit imprimé doit être remplacée.

Feuille d'enregistrement des réglages à la mise en service/sur site

Écran de la télécommande principale		Paramètres	Réglage par défaut	Réglage sur site	Re- marques	
Menu principal		Temp.Ambiante (chaud) Zone1	10°C à 30°C	20°C		
		Temp.Ambiante (chaud) Zone2 *12	10°C à 30°C	20°C		
		temp.Départ eau (chaud) Zone1	20°C à 60°C	45°C		
		temp.Départ eau (chaud) Zone2 *1	20°C à 60°C	35°C		
		temp.Départ eau (froid) Zone1 *13	5°C à 25°C	15°C		
		temp.Départ eau (froid) Zone2 *13	5°C à 25°C	20°C		
		Loi d'eau chauffage Zone1	-9°C à + 9°C	0°C		
		Loi d'eau chauffage Zone2 *1	-9°C à + 9°C	0°C		
Options		Mode vacances	Fonction activée/Fonction non activée/Heure définie	—		
		Fonctionnement Eau chaude forcée	Activé/Désactivé	—		
		Eau chaude	Activé/Désactivé/Prog	Activé		
		Chauffage/Rafraîchissement *13	Activé/Désactivé/Prog	Activé		
Réglage		Contrôleur d'énergie	Energie élec.consommée/énergie produite	—		
		Eau chaude	Mode opératoire	Normal/Eco *15	Normal	
			Temp.Max.ECS	40°C à 60°C *2	50°C	
			Baisse temp.ECS	5 °C à 30°C	10°C	
			Durée max.cycle ECS	30 à 120 min	60 min	
			Restriction du mode ECS	30 à 120 min	30 min	
			Recharge ECS	Grand/PAC+ELEC	PAC+ELEC	
			Choc thermique	Fonction activée	Oui/Non	Oui
		Temp.Choc thermique		60°C à 70°C *2	65°C	
		Fréquence		1 à 30 jours	15 jours	
		Heure de démarrage		00:00 à 23:00	03:00	
		Durée max. choc thermique		1 à 5 heures	3 heures	
		Durée maintient temp. max.		1 à 120 min	30 min	
Chauffage/Rafraîchissement *13	Mode opératoire Zone1	temp.Ambiante (chauffage)/ temp.Départ eau (chauffage)/ Loi d'eau chauffage/temp.Départ eau (froid)	Temp.ambiante			
	Mode opératoire Zone2 *1	temp.Ambiante (chaud)/ temp.Départ eau (chaud)/ Loi d'eau chauffage/temp.Départ eau (froid)	Loi d'eau			
Loi d'eau	Point de réglage Temp.Départ eau haut	Temp.ambiante extérieure Zone1	-30°C à +33°C *3	-15°C		
		Temp.Départ eau Zone1	20°C à 60°C	50°C		
		Temp.ambiante extérieure Zone2 *1	-30°C à +33°C *3	-15°C		
		Temp.Départ eau Zone2 *1	20°C à 60°C	40°C		
	Point de réglage Temp.Départ eau bas	Temp.ambiante extérieure Zone1	-28°C à +35°C *4	35°C		
		Temp.Départ eau Zone1	20°C à 60°C	25°C		
		Temp.ambiante extérieure Zone2 *1	-28°C à +35°C *4	35°C		
		Temp.Départ eau Zone2 *1	20°C à 60°C	25°C		
	Ajuster	Temp.ambiante extérieure Zone1	-29°C à +34°C *5	—		
		Temp.Départ eau Zone1	20°C à 60°C	—		
Vacances	Eau chaude	Fonction activée/Fonction non activée	Fonction non activée			
		Chauffage/Rafraîchissement *13	Fonction activée/Fonction non activée	Fonction activée		
	Temp.Ambiante (chaud) Zone1	10°C à 30°C	15°C			
		Temp.Ambiante (chaud) Zone2 *12	10°C à 30°C	15°C		
		temp.Départ eau (chaud) Zone1	20°C à 60°C	35°C		
		temp.Départ eau (chaud) Zone2 *1	20°C à 60°C	25°C		
		temp.Départ eau (froid) Zone1 *13	5°C à 25°C	25°C		
		temp.Départ eau (froid) Zone2 *13	5°C à 25°C	25°C		
		Réglage initial	Langue	EN/FR/DE/SV/ES/IT/DA/NL/FI/NO/PT/BG/PL/CZ/RU/TR/SL	EN	
			°C/°F	°C/°F	°C	
Heure d'été	Activé/Désactivé		Désactivé			
Affichage temp.	Ambiante/ECS/Ambi&ECS/OFF		Désactivé			
Affichage Heure	hh:mm/hh:mm AM/AM hh:mm		hh:mm			
Réglages sonde ambiance pour Zone1	Sonde T1/Sonde MR/Sonde R1-8/« Zones »		sonde T1			
Réglages sonde ambiance pour Zone2 *1	Sonde T1/Sonde MR/Sonde R1-8/« Zones »		sonde T1			
Sélectionner zone sonde RC *1	Zone1/Zone2		Zone1			
Menu Maintenance	Etalonnage sonde temp.		THW1	-10°C à +10°C	0°C	
			THW2	-10°C à +10°C	0°C	
		THW5A	-10°C à +10°C	0°C		
		THW5B	-10°C à +10°C	0°C		
		THW6	-10°C à +10°C	0°C		
		THW7	-10°C à +10°C	0°C		
		THW8	-10°C à +10°C	0°C		
		THW9	-10°C à +10°C	0°C		
		THW10	-10°C à +10°C	0°C		
		THWB1	-10°C à +10°C	0°C		
Paramétrage Aux.	Fonctionmt circulateur ECO.	Activé/Désactivé *6	Activé			
		Tempo (3 à 60 min)	10 min			
	Résistance électrique (Chauffage)	Chauffage : Activé (utilisé)/Désactivé (non utilisé)	Activé			
		Programmeur tempo résistance électrique (5 à 180 min)	30 min			
	Résistance électrique (Eau chaude)	Appoint électrique	Eau chaude : Activé (utilisé)/ Désactivé (non utilisé)	Activé		
		Résistance électrique immergée	Eau chaude : Activé (utilisé)/ Désactivé (non utilisé)	Activé		
		Programmeur tempo résistance électrique (15 à 30 min)	15 min			
	Contrôle vanne de mélange	Fonctionnement (10 à 240 s)	120 s			
		Intervalle (1 à 30 min)	2 min			
	Débitmètre *17	Minimum (0 à 100 L/min)	5 L/min			
Maximum (0 à 100 L/min)		100 L/min				
Sortie analogique	Intervalle (1 à 30 min)	5 min				
	Priorité (Normal/Élevé)	Normal				

(Suite page suivante.)

7 Entretien et maintenance

■ Formulaire à usage des techniciens

Feuille d'enregistrement des réglages à la mise en service/sur site (suite de la page précédente)

Écran de la télécommande principale			Paramètres		Réglage par défaut	Réglage sur site	Remarques		
Réglage	Menu Maintenance	Vitesse circulateur	Eau chaude	Vitesse circulateur (1 à 5)	5				
			Chauffage/Rafrâchissement	Vitesse circulateur (1 à 5)	5				
		Sélection générateur		PAC+Elec/Elec/Chaudière/Hybride *7		PAC+ELEC			
		Réglages pompe à chaleur	Temp départ eau pompe chal.	Mode silence	Minimum (0 à 100 L/min)	5 L/min			
					Maximum (0 à 100 L/min)	100 L/min			
				Heure	Jour (LUN - DIM)	—			
		Réglage du fonctionnement	Mode chauffage *8	Limites temp départ d'eau *10	Heure	Niveau de silence (Normal/Niveau 1/Niveau 2)	0:00 - 23:45		
					Temp minimum (20 à 45°C)	30°C			
				Temp maximum (35 à 60°C)	50°C				
				Paramétrage auto-adaptatif *14	Mode (Normal/Puissant)	Normal			
					Intervalle (10 à 60 min)	10 min			
				Etalonnage diff. thermo PAC	Activé/Désactivé *6	Activé			
					Limite inférieure (-9 à -1°C)	-5°C			
					Limite supérieure (+3 à +5°C)	5°C			
				Fonction antigel *11		Temp.ambiante extérieure (3 à 20°C) / **	5°C		
				Fonctionnement simultané (Eau chaude/Chauffage)		Activé/Désactivé *6	Désactivé		
						Temp.ambiante extérieure (-30 à +10°C) *3	-15°C		
			Fonction Grand froid		Activé/Désactivé *6	Désactivé			
					Temp.ambiante extérieure (-30 à -10°C) *3	-15°C			
			Fonctionnement chaudière		Paramètres hybrides	Temp.ambiante extérieure (-30 à +10°C) *3	-15°C		
					Mode Priorité (Temp. ext./Coût/CO ₂) *16	Ambiante			
					Augmentation temp.ambiante extérieure (+1 à +5°C)	+3°C			
				Paramètres intelligents	Prix de l'énergie *9	Electricité (0,001 à 999 */kWh)	0,5 */kWh		
						Chaudière (0,001 à 999 */kWh)	0,5 */kWh		
			Emission de CO ₂		Electricité (0,001 à 999 kg -CO ₂ /kWh)	0,5 kg -CO ₂ /kWh			
					Chaudière (0,001 à 999 kg -CO ₂ /kWh)	0,5 kg -CO ₂ /kWh			
			Source de chaleur	Puissance pompe à chaleur (1 à 40 kW)	11,2 kW				
				Rendement chaudière (25 à 150%)	80%				
				Puissance appoint électrique n°1 (0 à 30 kW)	2 kW				
					Puissance appoint électrique n°2 (0 à 30 kW)	4 kW			
		Réseau élec intelligent	Eau chaude	Activé/Désactivé		Désactivé			
				Temp. cible (+1 à +20°C) / -- (désactivée)		--			
			Chauffage	Activé/Désactivé		Désactivé			
Temp. cible	Recommandation pour la mise en marche (20 à 60°C)			50°C					
	Commande de mise en marche (20 à 60°C)			55°C					
Rafrâchissement	Activé/Désactivé		Désactivé						
	Temp. cible		Recommandation pour la mise en marche (5 à 25°C)		15°C				
			Commande de mise en marche (5 à 25°C)		10°C				
Cycles de pompe	Chauffage (Activé/Désactivé)		Activé						
	Rafrâchissement (Activé/Désactivé)		Activé						
	Intervalle (10 à 120 min)		10 min						
Prog séchage dalle	Activé/Désactivé *6		Désactivé						
	Temp. cible	Début et fin (20 à 60°C)		30°C					
		Température maximale (20 à 60°C)		45°C					
		Période température maximale (1 à 20 jours)		5 jours					
	Augmentation temp. départ eau (Incrément)	Incrément augmentation temp. (+1 à +10°C)		+5°C					
		Intervalle d'augmentation (1 à 7 jours)		2 jours					
	Baisse temp. départ eau (Diminuer)	Incrément baisse température (-1 à -10°C)		-5°C					
Intervalle de baisse (1 à 7 jours)		2 jours							
Mode été	Activé/Désactivé		Désactivé						
	Temp.ambiante extérieure	Chauffage ON (4 à 19°C)		10°C					
		Chauffage OFF (5 à 20°C)		15°C					
	Durée d'évaluation	Chauffage ON (1 à 48 heures)		6 heures					
		Chauffage OFF (1 à 48 heures)		6 heures					
	Chauffage forcé ON (-30 à 10 °C)		5°C						
	Contrôle débit d'eau		Activé/Désactivé	Désactivé					

(Suite page suivante.)

7 Entretien et maintenance

■ Formulaire à usage des techniciens

Feuille d'enregistrement des réglages à la mise en service/sur site (suite de la page précédente)

Écran de la télécommande principale			Paramètres		Réglage par défaut	Réglage sur site	Remarques
Menu Maintenance	Paramètres moniteur énergie	Puissance résist. élec.	Puissance appoint électrique n°1	0 à 30 kW	2 kW		
			Puissance appoint électrique n°2	0 à 30 kW	4 kW		
			Puissance résist. élec.immergée	0 à 30 kW	0 kW		
			Sortie analogique	0 à 30 kW	0 kW		
		Ajustement énergie produite	-50 à +50%	0%			
		Puissance abs. circulateur	Circ.1	0 à 200 W ou ***(pompe installée en usine)	***		
			Circ.2	0 à 200 W	0 W		
			Circ.3	0 à 200 W	0 W		
			Circ.4	0 à 200 W	72 W		
		Compteur énergie électrique	0,1/1/10/100/1 000 impulsions/kWh	1 impulsion/kWh			
	Compteur de chaleur	0,1/1/10/100/1 000 impulsions/kWh	1 impulsion/kWh				
	Paramètres entrée externe	Contrôle de la demande (IN4)	Source de chaleur OFF/Fonctionnement chaudière	Fonctionnement chaudière			
		Thermostat extérieur(IN5)	Fonctionnement résistance/Fonctionnement chaudière	Fonctionnement chaudière			
	Sortie thermo ON		Zone1/Zone2/Zone1&2	Zone1&2			

*1 Les réglages concernant la Zone2 ne peuvent être basculés que lorsque le contrôle de la température sur 2 zones est activé (lorsque les commutateurs DIP SW2-6 et SW2-7 sont sur ON).

*2 Pour le modèle sans appoint électrique et résistance électrique immergée, il est possible que la température définie ne soit pas atteinte, selon la température extérieure.

*3 La limite inférieure est -15°C, selon l'unité extérieure raccordée.

*4 La limite inférieure est -13°C, selon l'unité extérieure raccordée.

*5 La limite inférieure est -14°C, selon l'unité extérieure raccordée.

*6 On : la fonction est activée ; Off : la fonction est désactivée.

*7 Lorsque le commutateur DIP SW1-1 est réglé sur OFF « SANS chaudière » ou si SW2-6 est réglé sur OFF « SANS bouteille de découplage », il n'est pas possible de sélectionner Chaudière ou Hybride.

*8 Valide seulement pour le fonctionnement en mode paramétrage auto-adaptatif.

*9 Le symbole « * » dans «*/kWh » représente l'unité monétaire (par exemple, €, £ ou autre devise)

*10 Valide seulement pour le fonctionnement en Temp. Ambiante.

*11 Si vous sélectionnez l'astérisque (**), la fonction antigel sera désactivée. (C'est-à-dire que l'eau du circuit primaire risque de geler.)

*12 Les réglages concernant la Zone2 ne peuvent être basculés que lorsque le contrôle de la température sur 2 zones ou de la vanne sur 2 zones est activé.

*13 Les réglages en mode rafraîchissement sont disponibles pour le modèle ER seulement.

*14 Lorsque le commutateur DIP SW5-2 est réglé en position « OFF », la fonction est activée.

*15 Lorsque l'Ecodan hydrobox duo est raccordé à une unité extérieure PUMY-P, le mode est défini sur « Normal ».

*16 Lorsque l'Ecodan hydrobox duo est raccordé à une unité extérieure PUMY-P, le mode est défini sur « Ext. ».

*17 Ne modifiez pas le réglage, car il est défini en fonction de la spécification du débitmètre qui équipe l'Ecodan hydrobox duo.

Contenidos

1. Avisos de seguridad.....	2
2. Introducción.....	3
3. Información técnica.....	4
4. Instalación.....	10
4.1 Ubicación.....	10
4.2 Calidad del agua y preparación del sistema.....	11
4.3 Trabajo de tubería de agua.....	11
4.4 Conexión eléctrica.....	14
5. Preparación del sistema.....	16
5.1 Funciones del interruptor DIP.....	16
5.2 Conexión de entradas/salidas.....	17
5.3 Cableado para el control de temperatura de la zona 2.....	18
5.4 Operación solo de unidad interior (durante el trabajo de instalación).....	19
5.5 "Smart Grid" Preparado.....	19
5.6 Uso de la tarjeta de memoria SD.....	19
5.7 Mando principal.....	20
6. Puesta en servicio.....	26
7. Servicio y mantenimiento.....	27



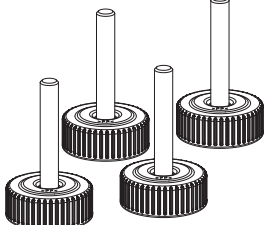
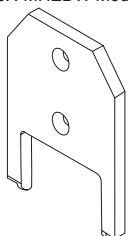
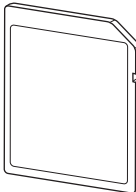
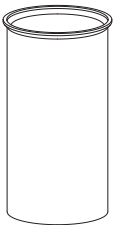
<http://www.mitsubishielectric.com/ldg/ibim/>

Si desea consultar más información que no aparece en este manual, visite el sitio web anterior y descargue los manuales, seleccione el nombre del modelo y elija el idioma.

Contenido del manual del sitio web

- Monitorización de energía
- Piezas componentes (en detalle)
- Diagrama del circuito hidrónico (170 L)
- Termostato de la sala
- Llenado del sistema
- Sistema de 2 zonas simple
- Fuente de alimentación eléctrica independiente
- "Smart Grid" Preparado
- Opciones del control remoto
- Menú mantenimiento (configuración especial)
- Información suplementaria

es

Accesorios (incluidos)			
Patas ajustables	Herramienta montadora de resistencia de inmersión EHPT20X-MHEDW Modelo solo	Tarjeta de memoria SD	Revestimiento de cobre para el tubo de ACS
			
4	1	1	2

Abreviaturas y glosario

Nº	Abreviaturas/palabra	Descripción
1	Modo de curva de compensación	Calefacción que incorpora la compensación de temperatura ambiente exterior
2	COP	Coefficiente de rendimiento la eficiencia de la bomba de calor
3	Hydrobox duo	Depósito de ACS sin ventilación interior y piezas de tubería componente
4	Modo ACS	Modo de calefacción de agua caliente sanitaria para duchas, lavabos, etc.
5	Temperatura de flujo	Temperatura a la que el agua es suministrada al circuito primario
6	Inicio función congelación	Rutina de control de calefacción para evitar que se congelen los tubos de agua
7	FTC	Mando de temperatura de flujo, la placa de circuitos a cargo del control del sistema
8	Modo de calefacción	Calefacción por radiadores o suelo radiante
9	Legionela	Bacteria encontrada potencialmente en tuberías, duchas y depósitos de agua que puede provocar la enfermedad del legionario
10	Modo PL	Modo de prevención de legionela - una función en los sistemas con depósitos de agua para evitar el crecimiento de la bacteria legionela
11	Modelo compacto	Intercambiador de placas (refrigerante agua) en la unidad de bomba de calor exterior
12	VSP	Válvula de seguridad de presión
13	Temperatura de retorno	Temperatura a la que el agua es suministrada desde el circuito primario
14	Modelo split	Intercambiador de placas (refrigerante agua) en la unidad interior
15	Válvula de seguridad de temperatura (VST)	Válvula termostática del radiador - una válvula en la entrada o salida del panel del radiador para controlar la salida de calor
16	Modo de refrigeración	Refrigeración por ventiladores de bobina o suelo refrigerante

1 Avisos de seguridad

Lea detenidamente las siguientes precauciones de seguridad.

⚠ ADVERTENCIA:
Precauciones que se deben observar para evitar lesiones o la muerte.

⚠ PRECAUCIÓN:
Precauciones que se deben observar para evitar daños a la unidad.

Este manual de instalación junto con el manual del usuario se deben dejar con el producto después de la instalación para futura referencia. Mitsubishi Electric no es el responsable del fallo de piezas suministradas localmente y suministradas en el campo.

- Asegúrese de realizar el mantenimiento periódico.
- Asegúrese de cumplir las normas locales.
- Asegúrese de cumplir las instrucciones aportadas en este manual.

SIGNIFICADO DE LOS SÍMBOLOS VISUALIZADOS EN LA UNIDAD

	ADVERTENCIA (Riesgo de incendio)	Esta marca se refiere únicamente al refrigerante R32. El tipo de refrigerante está escrito en la placa de identificación de la unidad exterior. Si el tipo de refrigerante es R32, quiere decir que esta unidad utiliza un refrigerante inflamable. Si hay fugas de refrigerante y este entra en contacto con fuego o con fuentes de calor, se generarán gases perjudiciales y puede causarse un incendio.
		Lea detenidamente el MANUAL DE INSTRUCCIONES antes de utilizar el equipo.
		El personal de mantenimiento deberá leer detenidamente el MANUAL DE INSTRUCCIONES y el MANUAL DE INSTALACIÓN antes de utilizar el equipo.
		Encontrará más información en el MANUAL DE INSTRUCCIONES, en el MANUAL DE INSTALACIÓN y en documentos similares.

⚠ ⚠ ADVERTENCIA

Mecánica

- El hydrobox duo y la unidad exterior no deben ser instaladas, desmontadas, reubicadas, modificadas o reparadas por el usuario. Pida un instalador o técnico autorizado. Si la unidad se instala incorrectamente o se modifica después de la instalación, se pueden provocar fugas de agua, descargas eléctricas o incendios.
- La unidad exterior debe fijarse de manera segura a una superficie nivelada dura capaz de soportar su peso.
- El hydrobox duo se debe colocar en una superficie nivelada dura capaz de soportar su peso lleno para evitar el sonido o la vibración excesivos.
- No coloque muebles ni aparatos eléctricos debajo de la unidad exterior ni del hydrobox duo.
- Los tubos de descarga de los dispositivos de emergencia del hydrobox duo se deben instalar de acuerdo con la ley local.
- Utilice solamente accesorios y piezas de repuesto autorizadas por Mitsubishi Electric, pida a un técnico cualificado que coloque las piezas.

Sistema eléctrico

- Todo el trabajo eléctrico debe ser realizado por un técnico cualificado según las normativas locales y las instrucciones dadas en este manual.
- Las unidades deben funcionar con una fuente de alimentación dedicada y se debe usar el voltaje y los interruptores correctos.
- El cableado debe ser según las normativas de cableado nacional. Las conexiones se deben hacer seguras y sin tensión en las terminales.
- Poner a tierra la unidad correctamente.

General

- Mantener a los niños y a las mascotas lejos tanto del hydrobox duo como de la unidad exterior.
- No utilizar el agua caliente producida por la bomba de calor directamente para beber o cocinar. Esto podría provocar que el usuario enfermara.
- No ponerse de pie sobre las unidades.
- No tocar los interruptores con las manos mojadas.
- Las comprobaciones de mantenimiento anuales en el hydrobox duo y en la unidad exterior deben ser llevadas a cabo por una persona cualificada.
- No coloque contenedores con líquidos dentro encima del hydrobox duo. Si tienen fugas o se derrama sobre el hydrobox duo se podrían producir daños a la unidad y/o incendio.
- No coloque ningún objeto pesado encima del hydrobox duo.
- Cuando se instala o reubica o se repara el hydrobox duo, utilice solamente el refrigerante especificado de la bomba de calor para cargar las líneas de refrigerante. refrigerante ni permita que quede aire en las líneas. Si se mezcla aire con el refrigerante, puede ser la causa de una presión anormalmente alta en la línea de refrigerante y puede producir una explosión y otros peligros.
- El uso de cualquier refrigerante distinto del especificado para el sistema provocará un fallo mecánico o mal funcionamiento del sistema o rotura de la unidad. En el peor de los casos, esto podría dar lugar a un impedimento grave para garantizar la seguridad del producto.
- En el modo de calefacción, para evitar que se dañen los emisores térmicos por el agua excesivamente caliente, ajuste la temperatura de flujo objetivo a un mínimo de 2°C por debajo de la temperatura máxima permitida de todos los emisores térmicos. Para la zona 2, ajuste la temperatura de flujo objetiva a un mínimo de 5°C por debajo de la temperatura de flujo máxima permitida de todos los emisores térmicos en el circuito de la Zona 2.
- No instale la unidad en lugares en donde se produzcan, fluyan, se acumulen o pueda haber fugas de gases combustibles. Si se acumula gas combustible alrededor de la unidad, se puede producir un incendio o una explosión.
- Para acelerar el proceso de descongelación o para limpiar el aparato, utilice únicamente los medios recomendados por el fabricante.
- El aparato debe guardarse en una habitación sin fuentes de ignición en funcionamiento continuo (por ejemplo: llamas abiertas, un aparato de gas en funcionamiento o un calentador eléctrico en funcionamiento).
- No perfore ni queme el equipo.
- Tenga en cuenta que es posible que los refrigerantes no emitan olores.
- Las tuberías deben protegerse de posibles daños físicos.
- Las tuberías instaladas deben ser las mínimas.
- Deben observarse las normativas nacionales relativas al gas.
- Mantenga las aberturas de ventilación necesarias libres de obstáculos.
- No utilice una aleación para soldadura de baja temperatura si decide soldar los tubos de refrigerante.

es

1 Avisos de seguridad

⚠ PRECAUCIÓN

Utilice agua limpia que cumpla las normas de calidad local en el circuito primario.

La unidad exterior se debe instalar en un área con suficiente flujo de aire según los diagramas en el manual de instalación de la unidad exterior.

El hydrobox duo se debe situar dentro para reducir al mínimo la pérdida de calor.

Los recorridos de tubos de agua en el circuito primario entre la unidad exterior y la interior se deben mantener al mínimo para reducir la pérdida de calor.

Asegúrese de que el condensado de la unidad exterior se saca por tubos de la base para evitar charcos de agua.

Retire tanto aire como sea posible de los circuitos primario y ACS.

Las fugas de refrigerante pueden provocar asfixia. Proporcione ventilación de acuerdo con EN378-1.

Asegúrese de envolver la tubería con aislante. El contacto directo con la tubería desnuda puede provocar quemaduras o congelación.

No se ponga nunca las pilas en la boca por ninguna razón para evitar la ingestión accidental.

La ingestión de la pila puede provocar asfixia y/o envenenamiento.

No transporte el hydrobox duo con agua dentro del depósito de ACS o de la espiral. Esto podría provocar daños a la unidad.

Si se debe apagar la alimentación al hydrobox duo (o apagar el sistema) durante un tiempo prolongado, se debe vaciar el agua.

Si no se usa durante un periodo prolongado, antes de reanudar el funcionamiento, se debe lavar el depósito de ACS con agua potable.

Se deben tomar medidas preventivas contra el golpe de ariete, como por ejemplo la instalación de un amortiguador de golpe de ariete en el circuito hidráulico primario, según lo indica el fabricante.

En cuanto al manejo del refrigerante, consulte el manual de instalación de la unidad exterior.

2 Introducción

El objetivo de este manual de instalación es instruir a las personas competentes sobre cómo instalar y poner en servicio de manera segura y eficiente el sistema Hydrobox duo. Los lectores a los que va dirigido este manual son fontaneros competentes y/o técnicos de refrigeración que han asistido y aprobado la

formación necesaria sobre el producto de Mitsubishi Electric y tienen las calificaciones apropiadas para la instalación de un hydrobox duo de agua caliente sin ventilación específico para su país.

3 Información técnica

■ Especificación del producto

Nombre del modelo	EHST17D-VM2D	ERST17D-VM2D	EHST20D-MED	EHST20D-VM2D	EHST20D-VM6D	EHST20D-YM9D	EHST20D-YM9D	EHST20D-TM9D	ERST20D-VM2D	EHST30D-MED	EHST30D-VM6D	EHST30D-YM9D	EHST30D-TM9D	ERST30D-VM2ED
Volumen de agua caliente doméstica nominal	170 L	1400 x 595 x 680 mm	98 kg	104 kg	105 kg	106 kg	101 kg	106 kg	104 kg	113 kg	115 kg	116 kg	114 kg	114 kg
Dimensiones globales de la unidad (Altura x Anchura x Profundidad)	1400 x 595 x 680 mm	1600 x 595 x 680 mm	304 kg	310 kg	311 kg	314 kg	309 kg	314 kg	310 kg	420 kg	422 kg	425 kg	421 kg	421 kg
Peso (vacío)	269 kg	3.4 L	12 L	3.5 L	12 L	5.8 L	3.5 L	3.5 L	3.5 L	3.9 L	3.9 L	6.2 L	3.9 L	3.9 L
Peso (lleno)	3.4 L	12 L	—	—	—	—	—	—	12 L	—	—	—	—	—
Volumen de agua en el circuito de calefacción de la unidad *1	12 L	0.1 MPa	—	—	0.1 MPa	—	—	—	0.1 MPa	—	—	—	—	—
Volumen nominal	0.1 MPa	—	—	—	—	—	—	—	—	—	—	—	—	—
Vaso de expansión sin ventilación (calefacción primaria)	—	—	—	—	—	—	—	—	—	—	—	—	—	—
Presión de carga	—	—	—	—	—	—	—	—	—	—	—	—	—	—
Termostor de control	—	—	—	—	—	—	—	—	—	—	—	—	—	—
Válvula de seguridad de presión	—	—	—	—	—	—	—	—	—	—	—	—	—	—
Caudalímetro	—	—	—	—	—	—	—	—	—	—	—	—	—	—
Resistencia de apoyo	90°C	121°C	—	—	—	—	—	—	—	—	—	—	—	—
Rearme manual termostato BH	—	—	—	—	—	—	—	—	—	—	—	—	—	—
Corte térmico BH	—	—	—	—	—	—	—	—	—	—	—	—	—	—
Termostor de control	—	—	—	—	—	—	—	—	—	—	—	—	—	—
Rearme manual termostato IH	—	—	—	—	—	—	—	—	—	—	—	—	—	—
Depósito de ACS	—	—	—	—	—	—	—	—	—	—	—	—	—	—
Temperatura/ Válvula de seguridad de presión	—	—	—	—	—	—	—	—	—	—	—	—	—	—
Temperatura	—	—	—	—	—	—	—	—	—	—	—	—	—	—
Válvula de seguridad de presión	—	—	—	—	—	—	—	—	—	—	—	—	—	—
Agua	—	—	—	—	—	—	—	—	—	—	—	—	—	—
Circuito primario	—	—	—	—	—	—	—	—	—	—	—	—	—	—
Circuito ACS	—	—	—	—	—	—	—	—	—	—	—	—	—	—
Líquido	—	—	—	—	—	—	—	—	—	—	—	—	—	—
Refrigerante (R32/R410A)	—	—	—	—	—	—	—	—	—	—	—	—	—	—
Gas	—	—	—	—	—	—	—	—	—	—	—	—	—	—
Temperatura de sala	—	—	—	—	—	—	—	—	—	—	—	—	—	—
Temperatura de flujo	—	—	—	—	—	—	—	—	—	—	—	—	—	—
Temperatura de sala	—	—	—	—	—	—	—	—	—	—	—	—	—	—
Temperatura de flujo	—	—	—	—	—	—	—	—	—	—	—	—	—	—
Temperatura de flujo	—	—	—	—	—	—	—	—	—	—	—	—	—	—
Ambiente	—	—	—	—	—	—	—	—	—	—	—	—	—	—
Calefacción	—	—	—	—	—	—	—	—	—	—	—	—	—	—
Refrigeración	—	—	—	—	—	—	—	—	—	—	—	—	—	—
Temperatura máxima de agua caliente permitida	70°C	*3	*4	70°C	L	70°C	*3	*4	*3	*4	—	—	70°C	*3
Perfil de carga declarado	—	—	—	—	—	—	—	—	—	—	—	—	—	—
Clase de eficiencia energética del calentador de agua	—	—	—	—	—	—	—	—	—	—	—	—	—	—
Fuente de alimentación (Fase, voltaje, frecuencia)	—	—	—	—	—	—	—	—	—	—	—	—	—	—
Entrada (4 bombas incluidas)	—	—	—	—	—	—	—	—	—	—	—	—	—	—
Disyuntor	—	—	—	—	—	—	—	—	—	—	—	—	—	—
Fuente de alimentación (Fase, voltaje, frecuencia)	—	—	—	—	—	—	—	—	—	—	—	—	—	—
Capacidad	—	—	—	—	—	—	—	—	—	—	—	—	—	—
Corriente	—	—	—	—	—	—	—	—	—	—	—	—	—	—
Disyuntor	—	—	—	—	—	—	—	—	—	—	—	—	—	—
Fuente de alimentación (Fase, voltaje, frecuencia)	—	—	—	—	—	—	—	—	—	—	—	—	—	—
Capacidad	—	—	—	—	—	—	—	—	—	—	—	—	—	—
Corriente	—	—	—	—	—	—	—	—	—	—	—	—	—	—
Disyuntor	—	—	—	—	—	—	—	—	—	—	—	—	—	—
Nivel de potencia acústica (PWL)	—	—	—	—	—	—	—	—	—	—	—	—	—	—

<Tabla 3.1>

*1 El volumen del circuito de agua sanitaria, del circuito ACS primario (desde la válvula de 3 vías al punto de confluencia con el circuito de calefacción), de las tuberías al vaso de expansión y del vaso de expansión no está incluido en este valor.
 *2 El entorno debe ser sin heladas.
 *3 Véase la tabla de especificación de la unidad exterior (mín., 10°C). El modo de refrigeración no está disponible cuando la temperatura ambiente exterior es baja. Si utiliza nuestro sistema en modo de refrigeración con temperatura ambiente baja (10 °C o menos), existe riesgo de que se produzcan daños en el intercambiador de placas por el agua congelada.
 *4 Para el modelo sin la resistencia de apoyo ni la resistencia de inmersión, la temperatura máxima permitida del agua caliente es (agua de salida máxima de unidad exterior - 3°C). Para conocer el agua de salida máxima de la unidad exterior, consulte el libro de datos de la unidad exterior.
 *5 No monte resistencias de inmersión sin cierre térmico. Use solo piezas de reparación de Mitsubishi Electric como una sustitución directa.

3 Información técnica

■ Especificación del producto

Nombre del modelo	EHST20C-MED	EHST20C-VM2D	EHST20C-VM6D	EHST20C-YM9D	EHST20C-YM9ED	EHST20C-TM9D	ERST20C-VM2D	EHST20C-MED	EHST30C-VM6D	EHST30C-VM6ED	EHST30C-TM9ED	ERST30C-VM2ED	EHP117X-VM6D	EHP117X-VM9D	ERPT17X-VM2D	
Volumen de agua caliente doméstica nominal	200 L															
Dimensiones globales de la unidad (Altura x Anchura x Profundidad)	1600 x 595 x 680 mm															
Peso (vacío)	106 kg	113 kg	114 kg	115 kg	109 kg	115 kg	113 kg	118 kg	120 kg	121 kg	121 kg	120 kg	85 kg	86 kg	87 kg	
Peso (lleno)	314 kg	320 kg	321 kg	324 kg	319 kg	324 kg	320 kg	426 kg	422 kg	431 kg	428 kg	428 kg	261 kg	262 kg	265 kg	
Volumen de agua en el circuito de calefacción de la unidad *1	4,6 L		6,9 L		6,9 L		4,6 L		5,0 L		5,0 L		3,2 L		5,5 L	
Vaso de expansión sin ventilación (calefacción primaria)	12 L		—		—		12 L		—		—		12 L		—	
Presión de carga	0,1 MPa		—		—		0,1 MPa		—		—		0,1 MPa		—	
Termostato de control	1 - 80°C															
Válvula de seguridad de presión	0,3 MPa (3 bar)															
Caudalímetro	Flujo mín. 5,0 L/min (Consulte la tabla 4.3.1 sobre el rango de velocidad de flujo del agua)															
Resistencia de apoyo	—		90°C		—		—		—		—		90°C		—	
Dispositivo de seguridad	—		121°C		—		—		—		—		121°C		—	
Termostato de control	75°C															
Rearme manual termostato IH	—															
Temperatura/Válvula de seguridad de presión	1,0 MPa (10 bar)															
Agua	Circuito primario															
Circuito ACS	Circuito ACS															
Refrigerante (R32/R410A)	Líquido															
Gas	Gas															
Temperatura de sala	10 - 30°C															
Temperatura de flujo	20 - 60°C															
Temperatura de sala	—															
Temperatura de flujo	—		5 - 25°C		—		—		—		—		5 - 25°C		—	
Ambiente	0 - 35°C (≤ 80 % HR)															
Calefacción exterior	Véase la tabla de especificación de la unidad exterior.															
Temperatura máxima de agua caliente permitida	*4		70°C		*3		*3		*4		*3		70°C		*3	
Perfil de carga declarado	L															
Clase de eficiencia energética del calentador de agua	A+															
Fuente de alimentación (Fase, voltaje, frecuencia)	~N, 230 V, 50 Hz															
Entrada	0,30 kW															
Corriente	1,95 A															
Disyuntor	10 A															
Fuente de alimentación (Fase, voltaje, frecuencia)	~N, 230 V, 50 Hz	3~ 400 V, 50 Hz	3~ 230 V, 50 Hz	3~ 400 V, 50 Hz	3~ 230 V, 50 Hz	3~ 400 V, 50 Hz	3~ 230 V, 50 Hz	3~ 400 V, 50 Hz	3~ 400 V, 50 Hz	3~ 230 V, 50 Hz	3~ 400 V, 50 Hz	3~ 230 V, 50 Hz	3~ 400 V, 50 Hz	3~ 400 V, 50 Hz	~N, 230 V, 50 Hz	
Capacidad	2 kW	2 kW+4 kW	3 kW	3 kW+6 kW	3 kW+6 kW	3 kW+6 kW	2 kW	—	2 kW	2 kW+4 kW	3 kW+6 kW	2 kW	2 kW	2 kW+4 kW	3 kW	
Corriente	9 A	26 A	13 A	23 A	23 A	23 A	9 A	—	26 A	26 A	13 A	9 A	26 A	26 A	13 A	
Disyuntor	16 A	32 A	16 A	16 A	32 A	32 A	16 A	—	32 A	16 A	16 A	16 A	32 A	32 A	16 A	
Fuente de alimentación (Fase, voltaje, frecuencia)	—															
Resistencia de inmersión *5	—															
Resistencia de inmersión	—															
Corriente	—															
Disyuntor	—															
Nivel de potencia acústica (PWL)	40 dB(A)															

<Tabla 3.2>

*1 El volumen del circuito de agua sanitaria, del circuito ACS primario (desde la válvula de 3 vías al punto de confluencia con el circuito de calefacción), de las tuberías al vaso de expansión y del vaso de expansión no está incluido en este valor.
 *2 El entorno debe ser sin heladas.
 *3 Véase la tabla de especificación de la unidad exterior. (mín., 10°C). El modo de refrigeración no está disponible cuando la temperatura ambiente exterior es baja. Si utiliza nuestro sistema en modo de refrigeración con temperatura ambiente baja (10 °C o menos), existe riesgo de que se produzcan daños en el intercambiador de placas por el agua congelada.
 *4 Para el modelo sin la resistencia de inmersión, la temperatura máxima permitida del agua caliente es [agua de salida máxima de unidad exterior - 3°C]. Para conocer el agua de salida máxima de la unidad exterior, consulte el libro de datos de la unidad exterior.
 *5 No monte resistencias de inmersión sin cierre térmico. Use solo piezas de reparación de Mitsubishi Electric como una sustitución directa.

3 Información técnica

■ Especificación del producto

Nombre del modelo	EHPT20X- MED	EHPT20X- VM6D	EHPT20X- YM9D	EHPT20X- YM9ED	EHPT20X- TM9D	EHPT20X- MHEDW	ERPT20X- MD	ERPT20X- VM2D	ERPT20X- VM6D	EHPT30X- MED	EHPT30X- YM9ED	ERPT30X- VM2ED
Volumen de agua caliente doméstica nominal	200 L											
Dimensiones globales de la unidad (Altura x Anchura x Profundidad)	1600 x 595 x 680 mm											
Peso (vacío)	93 kg	101 kg	102 kg	96 kg	102 kg	90 kg	99 kg	100 kg	101 kg	106 kg	109 kg	107 kg
Peso (lleno)	300 kg	307 kg	310 kg	305 kg	310 kg	296 kg	305 kg	305 kg	307 kg	413 kg	419 kg	413 kg
Volumen de agua en el circuito de calefacción de la unidad *1	3,7 L											
Volumen nominal	3,7 L	12 L	—	6,0 L	—	3,7 L	—	3,7 L	—	4,4 L	—	4,4 L
Vaso de expansión sin ventilación (calefacción primaria)	—	—	—	—	12 L	—	—	12 L	—	—	—	—
Presión de carga	—	0,1 MPa	—	—	0,1 MPa	—	—	0,1 MPa	—	—	—	—
Termostato de control	1 - 80°C											
Válvula de seguridad de presión	—											
Caudalímetro	Flujo mín. 5,0 L/min (Consulte la tabla 4.3.1 sobre el rango de velocidad de flujo del agua)											
Rearme manual termostato BH	—	90°C	—	90°C	—	—	—	90°C	—	—	—	90°C
Corte térmico BH	—	121°C	—	121°C	—	—	—	121°C	—	—	—	121°C
Termostato de control	75°C											
Rearme manual termostato IH	—											
Depósito de ACS	Temperatura/ Válvula de seguridad de presión											
	1,0 MPa (10 bar)											
	90°C / 0,7 MPa (7 bar)											
Agua	Circuito primario											
	ø28 mm											
Refrigerante (R32/R410A)	Circuito ACS											
	ø22 mm											
Líquido	—											
Gas	—											
Calefacción	Temperatura de sala											
	10 - 30°C											
Temperatura de flujo	Temperatura de sala											
	20 - 60°C											
Refrigeración	Temperatura de flujo											
	—											
Ambiente	—											
	5 - 25°C											
Rango operativo garantizado *2	0 - 35°C (≤ 80 % HR)											
	Véase la tabla de especificación de la unidad exterior.											
Calefacción	—											
Refrigeración	*3											
Temperatura exterior	—											
Temperatura máxima de agua caliente permitida	*4	—	70°C	—	—	—	*4	70°C	*4	—	—	70°C
Perfil de carga declarado	L											
Clase de eficiencia energética del calentador de agua	A+											
Fuente de alimentación (Fase, voltaje, frecuencia)	~N, 230 V, 50 Hz											
Entrada (4 bombas incluidas)	0,30 kW											
Corriente	1,85 A											
Disyuntor	10 A											
Fuente de alimentación (Fase, voltaje, frecuencia)	—	~N, 230 V, 50 Hz	3~ 400 V, 50 Hz	3~ 230 V, 50 Hz	—	—	—	~N, 230 V, 50 Hz	—	—	3~ 400 V, 50 Hz	~N, 230 V, 50 Hz
Capacidad	—	2 kW +4 kW	3 kW +6 kW	—	—	—	—	2 kW +4 kW	—	—	3 kW +6 kW	2 kW
Corriente	—	26 A	13 A	23 A	—	—	—	9 A	26 A	—	13 A	9 A
Disyuntor	—	32 A	16 A	32 A	—	—	—	16 A	32 A	—	16 A	16 A
Fuente de alimentación (Fase, voltaje, frecuencia)	~N, 230 V, 50 Hz											
Capacidad	3 kW											
Corriente	13 A											
Disyuntor	16 A											
Nivel de potencia acústica (PWL)	40 dB(A)											

<Tabla 3.3>

*1 El volumen del circuito de agua sanitaria, del circuito ACS primario (desde la válvula de 3 vías al punto de confluencia con el circuito de calefacción), de las tuberías al vaso de expansión y del vaso de expansión no está incluido en este valor.
 *2 El entorno debe ser sin heladas.
 *3 Véase la tabla de especificación de la unidad exterior (min., 10°C). El modo de refrigeración no está disponible cuando la temperatura ambiente exterior es baja. Si utiliza nuestro sistema en modo de refrigeración con temperatura ambiente baja (10 °C o menos), existe riesgo de que se produzcan daños en el intercambiador de placas por el agua congelada.
 *4 Para el modelo sin la resistencia de inmersión, la temperatura máxima permitida del agua caliente es [agua de salida máxima de unidad exterior - 3°C]. Para conocer el agua de salida máxima de la unidad exterior, consulte el libro de datos de la unidad exterior.
 *5 No monte resistencias de inmersión sin cierre térmico. Use solo piezas de reparación de Mitsubishi Electric como una sustitución directa.

3 Información técnica

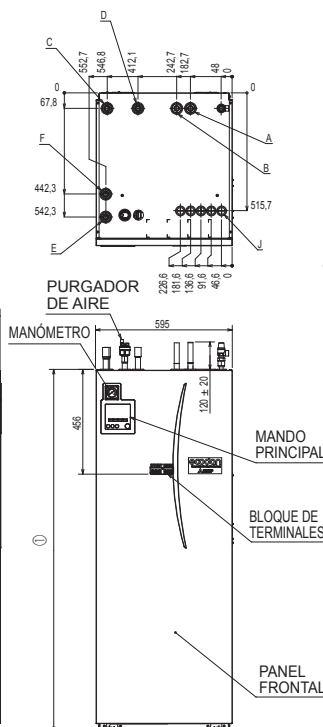
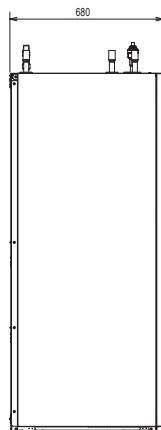
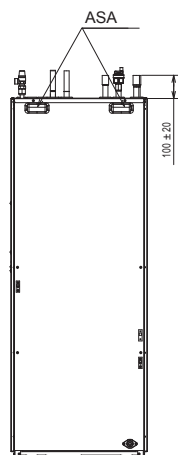
■ Dibujos técnicos

<E**T***-M**D>

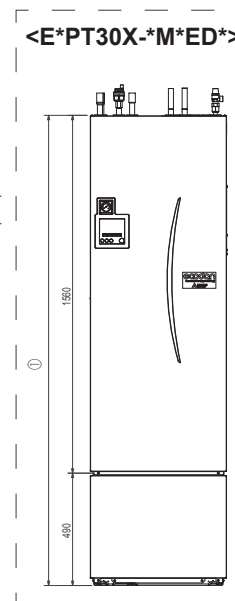
(Sistema modelo compacto)

<Unidad: mm>

Capacidad depósito de ACS	170L	200L	300L
①	1400	1600	2050

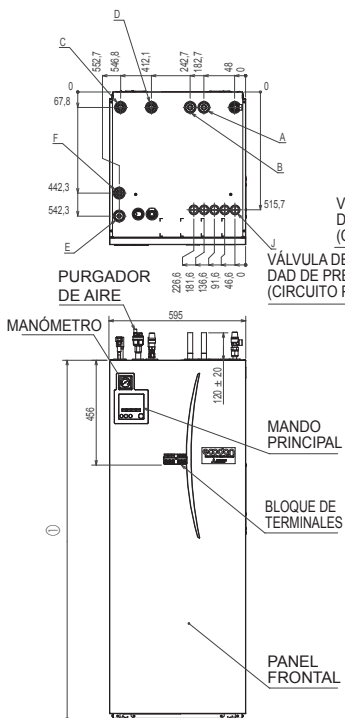
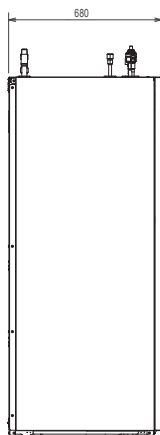
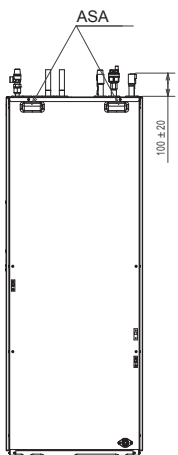


VÁLVULA DE SEGURIDAD DE PRESIÓN (CIRCUITO SANITARIO)



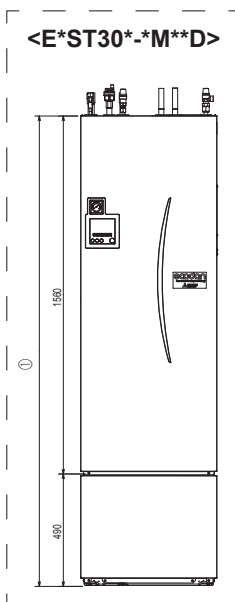
(Sistema modelo split)

Capacidad depósito de ACS	170L	200L	300L
①	1400	1600	2050



VÁLVULA DE SEGURIDAD DE PRESIÓN (CIRCUITO SANITARIO)

VÁLVULA DE SEGURIDAD DE PRESIÓN (CIRCUITO PRIMARIO)



Letra	Descripción del tubo	Tamaño/tipo conexión	
A	Tubo de salida ACS	22 mm/compresión	
B	Tubo de entrada de agua fría	22 mm/compresión	
C	Conexión de retorno de la calefacción/refrigeración	28 mm/compresión	
D	Conexión de flujo de la calefacción/refrigeración	28 mm/compresión	
E	Conexión de flujo DESDE la bomba de calor (sin intercambiador de placas)	28 mm/compresión	
F	Conexión de retorno A la bomba de calor (sin intercambiador de placas)	28 mm/compresión	
G	Refrigerante (GAS) (con intercambiador de placas)	12,7 mm / abocardado (E*ST**D-*) 15,88 mm / abocardado (E*ST**C-*)	⚠ Advertencia • La conexión de los tubos de refrigerante debe encontrarse en un lugar accesible para poder realizar las operaciones de mantenimiento. • En caso de volver a conectar los tubos de refrigerante tras desmontarlos, renueve la parte abocardada de los tubos.
H	Refrigerante (LÍQUIDO) (con intercambiador de placas)	6,35 mm / abocardado (E*ST**D-*) 9,52 mm / abocardado (E*ST**C-*)	
J	Entradas de cable eléctrico ① ② ③ ④ ⑤ ⊙ ⊙ ⊙ ⊙ ⊙	Para entradas ①, ② y ③, recorrido de cables de bajo voltaje que incluye los cables de entradas externas y los cables del termistor. Para entradas ④ y ⑤, recorrido de cables de alto voltaje, incluidos los cables eléctricos, cables interior-externo y cables de salida externa. *Para un cable de receptor inalámbrico (opcional) y cable de interface Wi-Fi ecodan, use entrada ①.	

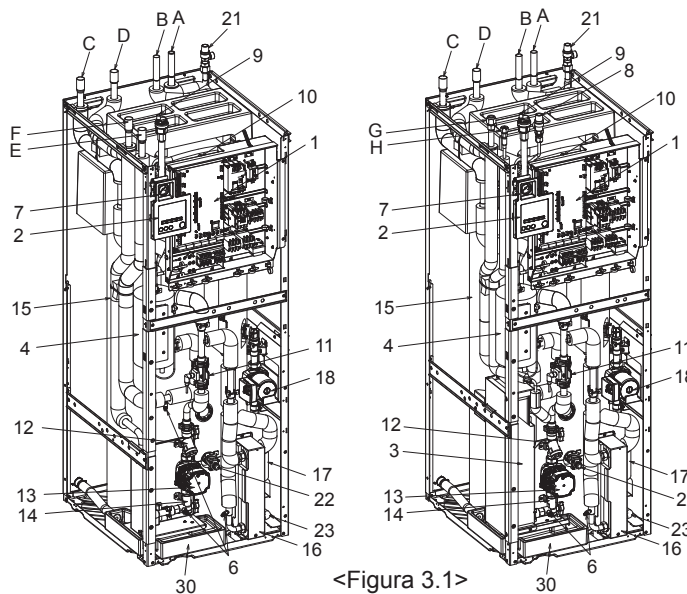
<Tabla 3.4>

3 Información técnica

■ Piezas componentes

<E**T***-M**D>

(Sistema modelo compacto) (Sistema modelo split)

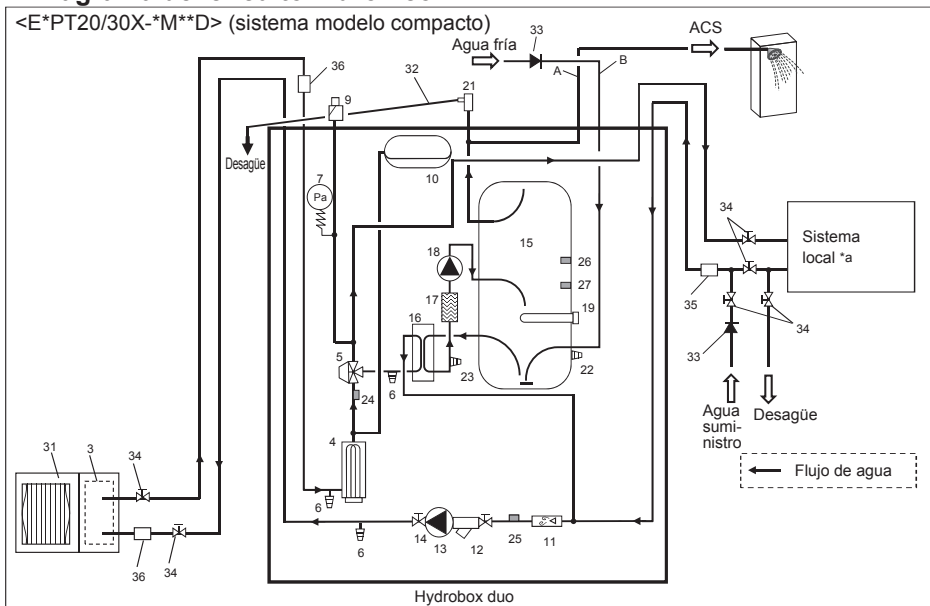


<Figura 3.1>

Nota:
Para la instalación de todos los modelos E**T***-M**ED*, asegúrese de instalar un vaso de expansión del lado primario del tamaño adecuado y una VSP adicional para evitar que explote el vaso de expansión en el campo. (Ver figura 3.2 ~ 3.3 y 4.3.2 para mayor referencia)

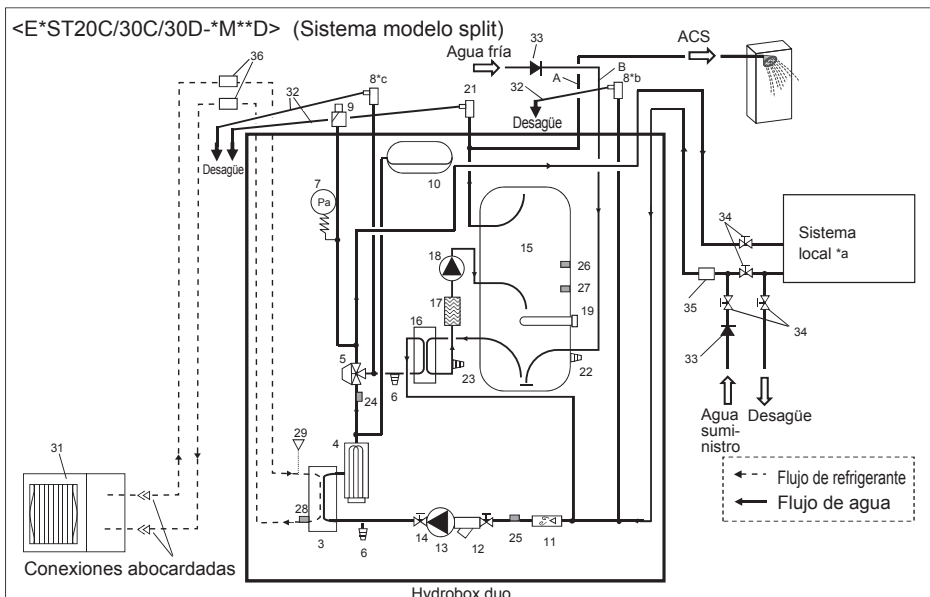
■ Diagrama del circuito hidráulico

<E*PT20/30X-M**D> (sistema modelo compacto)



<Figura 3.2>

<E*ST20C/30C/30D-M**D> (Sistema modelo split)



<Figura 3.3>

Nº	Nombre de pieza
A	Tubo de salida ACS
B	Tubo de entrada de agua fría
C	Tubo de agua (conexión de retorno de la calefacción/refrigeración)
D	Tubo de agua (conexión de flujo de la calefacción/refrigeración)
E	Tubo de agua (flujo de conexión de bomba de calor)
F	Tubo de agua (retorno a conexión de bomba de calor)
G	Tubo de refrigerante (gas)
H	Tubo de refrigerante (líquido)
1	Cuadro eléctrico y de control
2	Mando principal
3	Intercambiador de placas (refrigerante-agua)
4	Resistencia de apoyo 1,2
5	Válvula de 3 vías
6	Llave de desagüe (circuito primario)
7	Manómetro
8	Válvula de seguridad de presión (3 bar)
9	Purgador de aire automático
10	Vaso de expansión (Circuito primario)
11	Caudalímetro
12	Válvula con filtro
13	Bomba de recirculación de agua (Circuito primario)
14	Válvula de bomba
15	Depósito de ACS
16	Intercambiador de placas (agua-agua)
17	Trampa de cascarilla
18	Bomba de recirculación de agua (Circuito sanitario)
19	Resistencia de inmersión *1
20	Válvula de seguridad de temperatura y presión *1
21	Válvula de seguridad de presión (10 bar) (depósito de ACS)
22	Llave de desagüe (depósito de ACS)
23	Llave de desagüe (circuito sanitario)
24	Termistor temp. agua de flujo (THW1)
25	Termistor temp. agua de retorno (THW2)
26	Termistor superior temp. del agua de depósito de ACS (THW5A)
27	Termistor inferior temp. del agua de depósito de ACS (THW5B)
28	Termistor temp. líquido refrigerante (TH2)
29	Sensor de presión
30	Depósito de desagüe
31	Unidad exterior
32	Tubo de desagüe (suministro local)
33	Dispositivo antirretorno (suministro local)
34	Válvula de aislamiento (suministro local)
35	Filtro magnético (suministro local) (recomendado)
36	Filtro (suministro local)
37	VSP adicional (suministro local)
38	Grupo de control de entrada *1
39	Circuito de llenado (válvulas de bola, válvulas de retención y tubo flexible) *1
40	Válvula de expansión potable *1

*1 Suministrado SOLAMENTE con modelo del RU.
Consulte el manual de instalación de PAC-WK020UK-E para obtener más información sobre los accesos

<Tabla 3.5>

Visite el sitio web de Mitsubishi para comprobar el circuito de agua de las otras unidades y los componentes de cada unidad.

*a Consulte la siguiente sección [sistema local].

*b Solo E**T20

*c Solo E**T30

Nota

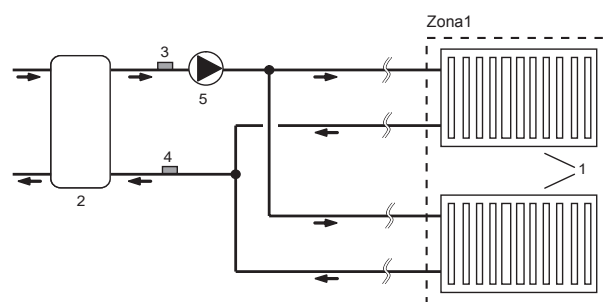
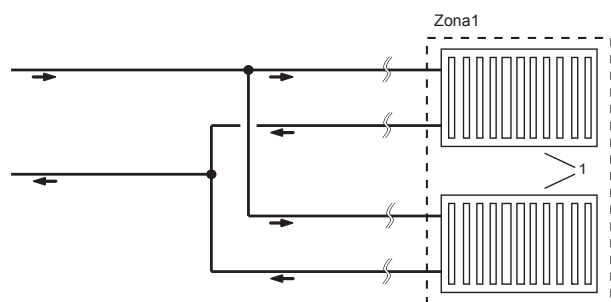
- Para permitir el desagüe del hydrobox duo se debe colocar una válvula de aislamiento en los dos tubos el de entrada y el de salida.
- Asegúrese de instalar un filtro en la tubería de entrada al hydrobox.
- Se debe acoplar una tubería de desagüe adecuada a todas las válvulas de seguridad de acuerdo con las normativas de su país.
- Se debe instalar un dispositivo antirretorno en la tubería de suministro de agua fría (IEC 61770).
- Cuando se utilizan componentes fabricados con distintos metales o tubos de conexión fabricados de distintos metales, aisle las juntas para evitar que tenga lugar cualquier reacción corrosiva que pueda dañar las tuberías).

es

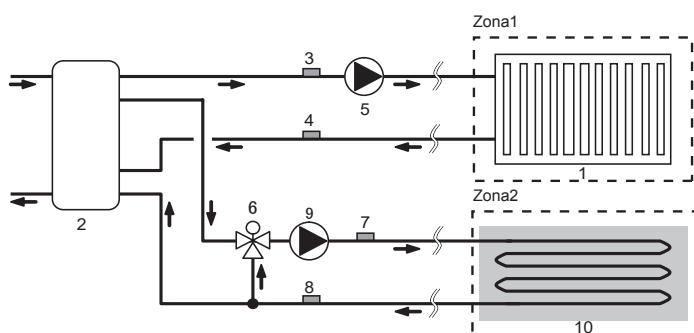
3 Información técnica

■ Sistema local

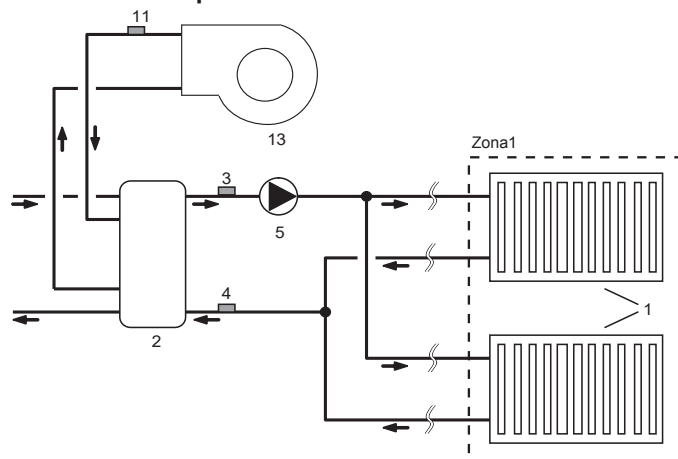
Control de temperatura de zona 1



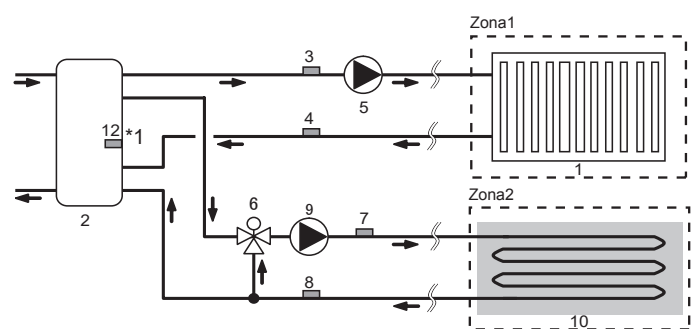
Control de temperatura de zona 2



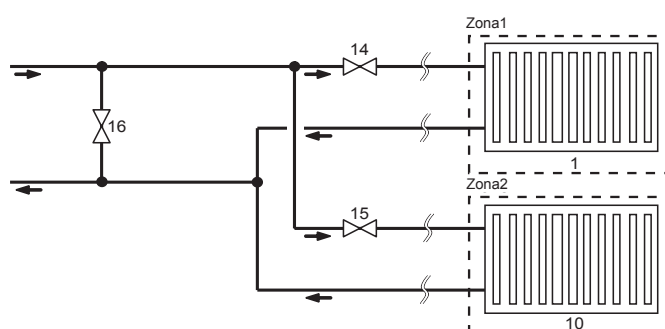
Control de temperatura de zona 1 con caldera



Control de temperatura de zona 2 y control del tanque intermedio



Control de temperatura de zona 1 (control ON/OFF válvula zona 2)



1. Emisores térmicos zona 1 (p. ej. radiador, unidad de bobina del ventilador) (suministro local)
2. Tanque mezclador (suministro local)
3. Termistor temp. agua de flujo Zona 1 (THW6)
4. Termistor temp. agua de retorno Zona 1 (THW7) } Pieza opcional: PAC-TH011-E
5. Bomba de recirculación de agua Zona 1 (suministro local)
6. Válvula mezcladora motorizada (suministro local)
7. Termistor temp. agua de flujo zona 2 (THW8)
8. Termistor temp. agua de retorno zona 2 (THW9) } Pieza opcional: PAC-TH011-E
9. Bomba de recirculación de agua zona 2 (suministro local)

10. Emisores térmicos zona 2 (p. ej. suelo radiante) (suministro local)
11. Termistor temp. agua de flujo caldera (THWB1) } Pieza opcional: PAC-TH012HT(L)-E
12. Termistor del tanque mezclador (THW10) *1
13. Caldera (suministro local)
14. Válvula de 2 vías zona 1 (suministro local)
15. Válvula de 2 vías zona 2 (suministro local)
16. Válvula de derivación (suministro local)

*1 El control del tanque intermedio (calefacción/refrigeración) SOLO se aplica a "Smart Grid Preparado".

4 Instalación

<Preparación antes de la instalación y el servicio>

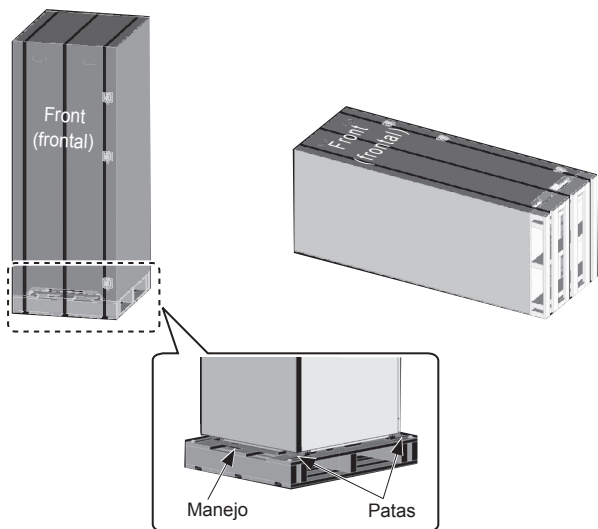
- Prepare las herramientas adecuadas.
- Prepare la protección adecuada.
- Permita que las piezas se enfríen antes de empezar el mantenimiento.
- Proporcione la ventilación adecuada.
- Después de detener la operación del sistema, apague el interruptor de la fuente de alimentación y retire el enchufe de alimentación.
- Descargue el condensador antes de iniciar el trabajo que implica las piezas eléctricas.

<Precauciones durante el servicio>

- No realice ningún trabajo que implique piezas eléctricas con las manos mojadas.
- No vierta agua ni líquido en las piezas eléctricas.
- No toque el refrigerante.
- No toque las superficies calientes o frías en el ciclo del refrigerante.
- Si se debe hacer la reparación o la inspección del circuito sin apagar la alimentación, tenga mucho cuidado de no tocar ninguna pieza activa.

4.1 Ubicación

■ Transporte y manipulación



<Figura 4.1.1>

El hydrobox duo se entrega sobre una base de palet de madera con protección de cartón.

Se debe tener cuidado de que al transportar el hydrobox duo no se dañe la cubierta por el impacto. No retire el envoltorio de protección hasta que el hydrobox duo haya alcanzado su ubicación final. Esto ayudará a proteger la estructura y el panel de control.

- El hydrobox duo se puede transportar en vertical o en horizontal. Si se transporta en horizontal, el panel marcado "Front" (frontal) debe mirar **HACIA ARRIBA** <Figura 4.1.1>.
- El hydrobox duo debe moverse SIEMPRE entre un mínimo de 3 personas.
- Cuando transporte el hydrobox duo utilice las asas suministradas.
- Antes de usar las asas, asegúrese de que se han acoplado con seguridad.
- **Retire el asa frontal, las patas de fijación, la base de madera y cualquier otro embalaje una vez que la unidad esté en el lugar de instalación.**
- **Guarde las asas para un futuro transporte.**

■ Ubicación adecuada

Antes de la instalación, el hydrobox duo se debe guardar en un lugar a prueba de intemperie sin heladas. Las unidades **NO** deben apilarse.

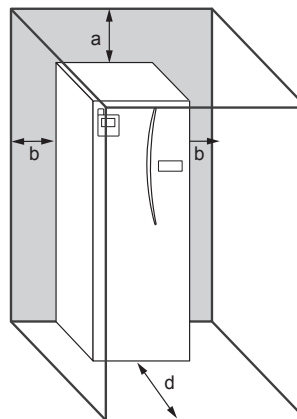
- El hydrobox duo se debe instalar en el interior en un lugar a prueba de intemperie y sin heladas.
- Instale el hydrobox duo donde no esté expuesto al agua/humedad excesivas.
- El hydrobox duo se debe colocar en una superficie nivelada capaz de soportar su peso **LLENO**. (Se pueden usar patas ajustables (piezas accesorias) para asegurar que la unidad esté nivelada).
- Cuando se usan las patas ajustables, asegúrese que el suelo es suficientemente fuerte.
- Se debe tener cuidado de observar que haya una distancia mínima alrededor y frente a la unidad para el acceso de servicio <Figura 4.1.2>.
- Asegure el hydrobox duo para evitar que lo tiren.

■ Diagramas de acceso de servicio

Acceso de servicio	
Parámetros	Dimensión (mm)
a	300*
b	150
c (distancia tras unidad no se ve en Figura 4.1.2)	10
d	500

<Tabla 4.1.1>

Se DEBE dejar suficiente espacio para la disposición de las tuberías de descarga como se detalla en las Normativas de construcción nacional y local.



* Se necesitan 300 mm de espacio adicional (un total de 600 mm) para la instalación del juego de 2 zonas opcional (PAC-TZ02-E) encima del hydrobox duo.

<Figura 4.1.2>

Acceso de servicio

El hydrobox duo debe situarse en el interior y en un entorno sin heladas, por ejemplo en un cuarto de servicio, para reducir al mínimo la pérdida de calor del agua almacenada.

■ Reposicionamiento

Si tiene que mover el hydrobox duo a una nueva posición **VACÍELO COMPLETAMENTE** antes de moverlo para evitar daños a la unidad.

4 Instalación

4.2 Calidad del agua y preparación del sistema

■ Generalidades

- El agua en los dos circuitos primario y sanitario debe estar limpia y con un valor de pH de 6.5-8.0
- Los siguientes son los valores máximos:
 - Calcio: 100 mg/L, dureza del Ca: 250 mg/L
 - Cloruro: 100 mg/L, cobre: 0,3 mg/L
- Otros componentes deben ser según las normas CE de la Directiva europea 98/83.
- En áreas de agua dura conocidas, para evitar/reducir al mínimo la formación de incrustaciones, es beneficioso limitar la temperatura del agua almacenada habitualmente (temp. máx. ACS) a 55°C.

■ Anticongelante

Las soluciones anticongelantes deberían utilizar glicol de propileno con un índice de toxicidad de Clase 1 según lo relaciona la Toxicología Clínica de Productos Comerciales, 5ª edición.

Nota:

- El glicol de etileno es tóxico y NO se debería utilizar en el circuito hidrónico primario en caso de cualquier contaminación cruzada del circuito potable.
- Para el control ON/OFF de la válvula de la zona 2, se debería usar propilenglicol.

■ Nueva instalación (circuito hidrónico primario)

- Antes de conectar la unidad exterior, limpie a fondo las tuberías de residuos de la construcción, soldadura, etc. usando un producto de limpieza químico adecuado.
- Lave el sistema para eliminar el producto limpiador químico.
- Para todos los sistemas de modelo compacto agregue un inhibidor combinado y solución anticongelante para evitar daños a las tuberías y a los componentes del sistema.
- Para los sistemas del modelo split, el instalador responsable debe decidir si es necesaria la solución anticongelante para las condiciones de cada sitio. Sin embargo, el inhibidor de corrosión se debe usar siempre.

■ Instalación existente (circuito hidrónico primario)

- Antes de conectar la unidad exterior, el circuito de calefacción existente se DEBE limpiar químicamente para eliminar los restos del circuito de calefacción.
- Lave el sistema para eliminar el producto limpiador químico.
- Para todos los sistemas de modelo compacto y el modelo split o el sistema PUMY sin la resistencia de apoyo, agregue un inhibidor combinado y solución anticongelante para evitar daños a las tuberías y a los componentes del sistema.
- Para los sistemas del modelo split, el instalador responsable debe decidir si es necesaria la solución anticongelante para las condiciones de cada sitio. Sin embargo, el inhibidor de corrosión se debe usar siempre.

Cuando se utilicen productos limpiadores químicos e inhibidores siga siempre las instrucciones del fabricante y asegúrese de que el producto es apropiado para los materiales utilizados en el circuito hidrónico

4.3 Trabajo de tubería de agua

■ Tuberías de agua caliente

El hydrobox duo es SIN VENTILACIÓN. Cuando se instalan sistemas de agua caliente sin ventilación se deben cumplir las normativas de construcción parte G3 (Inglaterra y Gales), P3 (Escocia) y P5 (Irlanda del Norte). Si es fuera del Reino Unido, cumpla las normativas de su propio país para sistemas de agua caliente sin ventilación.

Conecte el flujo para el ACS a la tubería A (Figura 3.1).

Se debe comprobar el funcionamiento de los siguientes componentes de seguridad del hydrobox duo en la instalación para ver si hay anomalías:

- Válvula de seguridad de presión (circuito primario y tanque)
- Precarga del vaso de expansión (presión carga gas)

Se deben seguir cuidadosamente las instrucciones de las siguientes páginas en relación con la descarga segura de agua caliente de los Dispositivos de seguridad.

- Las tuberías se ponen muy calientes, por ello se deben aislar para evitar quemaduras.
- Cuando conecte tuberías, asegúrese de que ningún objeto extraño, tal como residuos o similares, entren en la tubería.

■ Tuberías de agua fría

Se debe introducir agua fría del estándar adecuado (véase la sección 4.2) al sistema conectando la tubería B (Figura 3.1) usando los accesorios apropiados.

■ Cantidad mínima de agua necesaria en el circuito de la calefacción/refrigeración

Unidad de bomba de calor exterior		Clima medio/cálido**		Clima frío**	
		Cantidad de agua que contiene la unidad interior [L]	*Cantidad de agua adicional necesaria [L]	Cantidad de agua que contiene la unidad interior [L]	*Cantidad de agua adicional necesaria [L]
Modelo compacto	PUZ-WM50	5	2	5	24
	PUZ-WM60		4		29
	PUZ-WM85		7		32
	PUZ-WM112		11		43
	PUZ-HWM140		15		55
Modelo split	SUZ-SWM40	5	1	5	12
	SUZ-SWM60		2		21
	SUZ-SWM80		4		29
	PUD-S(H)WM60		4		21
	PUD-S(H)WM80		6		29
	PUD-S(H)WM100		9		38
	PUD-S(H)WM120		12		47
	PUD-SHW140		15		55
	PUHZ-FRP71		6		27
	PUHZ-SW75		6		27
	PUHZ-SW100		9		38
	PUHZ-SW120		12		47
	PUHZ-SHW80		6		29
	PUHZ-SHW112		11		43
	PUHZ-SHW140		15		55
	PUMY-P112		22		75
	PUMY-P125		22		75
PUMY-P140	22	75			

<Tabla 4.2.1>

* Si hay un circuito de derivación, la tabla anterior hace referencia a la cantidad de agua mínima en caso de derivación.

** Consulte la Directiva 2009/125/CE de productos relacionados con la energía y el Reglamento (UE) N° 813/2013 para comprobar su zona climática.

Caso 1. No hay división entre el circuito primario y secundario

- Asegúrese de que se dispone de la cantidad de agua necesaria según la tabla 4.2.1 en el tubo de agua y el radiador o suelo radiante.

Caso 2. Circuito primario y secundario separados

- Si la operación de interbloqueo de la bomba primaria y secundaria no está disponible, asegúrese de que se dispone del agua adicional necesaria solo en el circuito primario, según la tabla 4.2.1.
- Si la operación de interbloqueo de la bomba primaria y secundaria está disponible, asegúrese de que se dispone de la cantidad de agua adicional necesaria en el circuito primario y secundario, según la tabla 4.2.1.

En caso de que no pueda suministrarse la cantidad de agua necesaria, instale el tanque intermedio.

■ Prevención de la presión negativa

Para evitar que la presión negativa afecte el depósito de ACS, el instalador debería instalar las tuberías adecuadas o utilizar los dispositivos apropiados.

■ Trabajo de filtro hidráulico (SOLO series E*PT)

Instale un filtro hidráulico o filtro (suministro local) en la toma de agua ("Tubería E" en Fig. 3.1)

■ Conexiones de tuberías

Las conexiones al hydrobox duo deben realizarse con una compresión de 22 mm o 28 mm según sea apropiado.

Al conectar tubos de ACS con accesorios de compresión, utilice **revestimientos de cobre para los tubos de ACS** (piezas accesorias) y apriételos de 0,75 a 1,25 vueltas.

No apriete demasiado los accesorios de compresión ya que esto daría lugar a la deformación del anillo conector y a posibles fugas.

Nota: Antes de soldar los tubos en el campo, proteja las tuberías del hydrobox duo con una toalla mojada, etc. que actúe como "pantalla térmica".

■ Aislamiento de tuberías

- Todas las tuberías de agua expuestas deben aislarse para evitar pérdidas innecesarias de calor y condensación. Para evitar que la condensación entre en el hydrobox duo, deben aislarse cuidadosamente las tuberías y conexiones en la parte superior del hydrobox duo.
- Las tuberías de agua fría y caliente no deben transcurrir cerca siempre que sea posible para evitar transferencia de calor no deseada.
- Las tuberías entre la unidad de bomba de calor exterior y el hydrobox duo deben aislarse con un material de aislamiento de tuberías idóneo con una conductividad térmica de $\leq 0,04$ W/m.K.

4 Instalación

■ Tubería de desagüe (SOLO para la serie ER)

No es necesario montar la pieza opcional "Soporte para el depósito de desagüe" porque el depósito de desagüe ya viene instalado. El desagüe debe realizarse desde el manguito de unión del desagüe, en la parte trasera izquierda de la unidad.

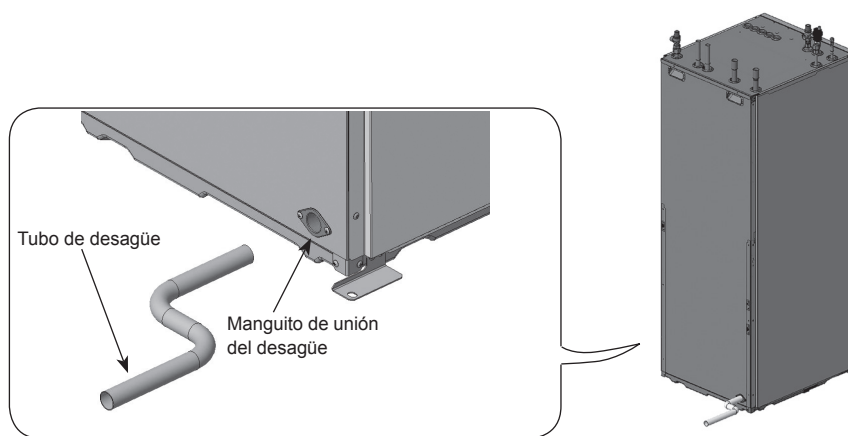
El tubo de desagüe se debe instalar para desaguar el agua de condensación durante el modo de refrigeración.

- Para evitar que el agua sucia caiga directamente al suelo junto a la unidad de cilindro, conecte la tubería de descarga apropiada desde el depósito de desagüe del cilindro.
- Instale la tubería de desagüe de forma segura para evitar fugas en la conexión.
- Aísle la tubería de desagüe de forma apropiada para evitar goteos del agua procedente de la tubería de desagüe suministrada localmente.
- Instale la tubería de desagüe con una pendiente de bajada de 1/100 o superior.
- No coloque la tubería de desagüe en un canal de desagüe en el que haya gas sulfúrico.
- Tras la instalación compruebe que la tubería de desagüe drene el agua correctamente desde la salida de la tubería hasta un lugar de descarga apropiado.

<Instalación>

1. El manguito de unión del desagüe (diámetro interior de 26 mm) se encuentra en la parte trasera izquierda del hydrobox duo. (Figura 4.3.1)
2. Instale el tubo de desagüe (VP-20) que se acopla al manguito de unión del desagüe con un adhesivo del tipo de cloruro de polivinilo.
3. Instale la tubería de desagüe hasta la salida con una pendiente descendente mayor a una centésima.

Nota: sujete firmemente la tubería de desagüe suministrada localmente para evitar que la tubería de desagüe se salga del manguito de unión del desagüe.



<Figura 4.3.1>

■ Dimensionado de los vasos de expansión

El volumen del vaso de expansión debe ajustarse al volumen de agua del sistema local.

Para elegir el tamaño de un vaso de expansión para el circuito de calefacción, se puede usar la siguiente fórmula y gráfico.

Cuando el volumen del vaso de expansión necesario supera el volumen de un vaso de expansión incorporado, instale un vaso de expansión adicional de modo que la suma de los volúmenes de los vasos de expansión supere el volumen del vaso de expansión necesario.

* Para la instalación de un modelo E**T***-M*ED*, adquiera e instale un vaso de expansión del lado primario adecuado y una válvula de seguridad de presión de 3 bares adicional en el campo, ya que el modelo **NO** viene equipado con un vaso de expansión del lado primario.

$$V = \frac{\varepsilon \times G}{1 - \frac{P_1 + 0,098}{P_2 + 0,098}}$$

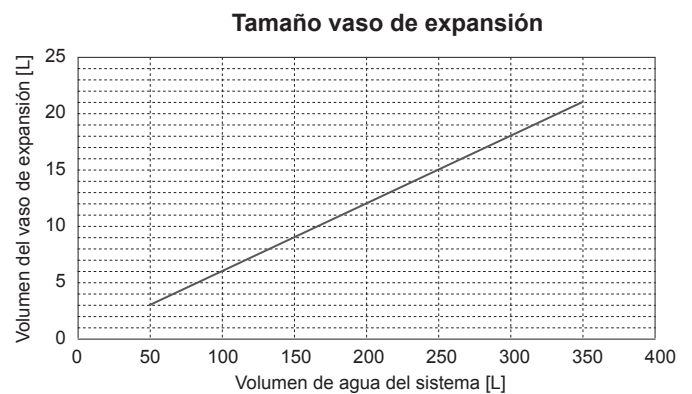
en que:

- V : volumen del vaso de expansión necesario [L]
- ε : coeficiente de expansión de agua
- G : volumen total de agua en el sistema [L]
- P₁ : Presión de ajuste de vaso de expansión [MPa]
- P₂ : Presión máx. durante operación [MPa]

El gráfico a la derecha es para los siguientes valores

- ε : a 70°C = 0,0229
- P₁ : 0,1 MPa
- P₂ : 0,3 MPa

* Se ha añadido un margen de seguridad del 30%.



<Figura 4.3.2>

4 Instalación

Características de la bomba de circulación de agua

1. Circuito primario

La velocidad de la bomba se puede seleccionar mediante el ajuste del mando principal (véase <Figura 4.3.3 - 4.3.7>). Ajuste el valor de la velocidad de la bomba de modo que el caudal nominal en el circuito primario sea apropiado para la unidad exterior instalada (véase Tabla 4.3.1). Puede ser necesario agregar una bomba adicional al sistema dependiendo de la longitud y elevación del circuito primario. Para el modelo de la unidad exterior no relacionado en la <Tabla 4.3.1>, consulte el rango de velocidad de flujo del agua en la tabla de especificación del libro de datos de la unidad exterior.

<Segunda bomba>

Si se necesita una segunda bomba para la instalación, lea lo siguiente detenidamente.

Si se usa una segunda bomba en el sistema, se puede colocar de 2 maneras. La posición de la bomba influye a qué terminal del FTC se debe conectar el cable de señal. Si la bomba/s adicional tiene una corriente mayor de 1A, use el relé adecuado. El cable de señal de la bomba se puede conectar a TBO.1 1-2 o CNP1 pero no a los dos.

Opción 1 (solo calefacción/refrigeración)

Si la segunda bomba se usa para el circuito de calefacción, sólo entonces el cable de señal se debe conectar a TBO.1 terminales 3 y 4 (OUT2). En esta posición la bomba se puede hacer funcionar a una velocidad diferente de la bomba incorporada del hydrobox duo.

Opción 2 (circuito primario ACS y calefacción/refrigeración)

Si la segunda bomba se usa en el circuito primario entre el hydrobox duo y la unidad exterior (sistema compacto SOLAMENTE), entonces el cable de señal se debe conectar a las terminales 1 y 2 de TBO.1 (OUT1). En esta posición la velocidad de la bomba **DEBE** coincidir con la velocidad de la bomba incorporada del hydrobox duo.

Nota: Consulte 5.2 Conexión de entradas/salidas.

Unidad de bomba de calor exterior		Velocidad de caudal nominal de agua [L/min]
Modelo compacto	PUZ-WM50	6,5 - 14,3
	PUZ-WM60	8,6 - 17,2
	PUZ-WM85	10,8 - 24,4
	PUZ-WM112	14,4 - 32,1
	PUZ-HWM140	17,9 - 36,9
Modelo split	SUZ-SWM40	6,5 - 11,4
	SUZ-SWM60	7,2 - 17,2
	SUZ-SWM80	7,8 - 21,5
	PUD-S(H)WM60	9,0 - 22,9
	PUD-S(H)WM80	9,0 - 22,9
	PUD-S(H)WM100	14,3 - 34,4
	PUD-S(H)WM120	14,3 - 34,4
	PUD-SHWM140	14,3 - 34,4
	PUHZ-FRP71	11,5 - 22,9
	PUHZ-SW75	10,2 - 22,9
	PUHZ-SW100	14,4 - 32,1
	PUHZ-SW120	20,1 - 36,9
	PUHZ-SHW80	10,2 - 22,9
	PUHZ-SHW112	14,4 - 32,1
	PUHZ-SHW140	17,9 - 36,9
PUMY-P112	17,9 - 35,8	
PUMY-P125	17,9 - 35,8	
PUMY-P140	17,9 - 35,8	

<Tabla 4.3.1>

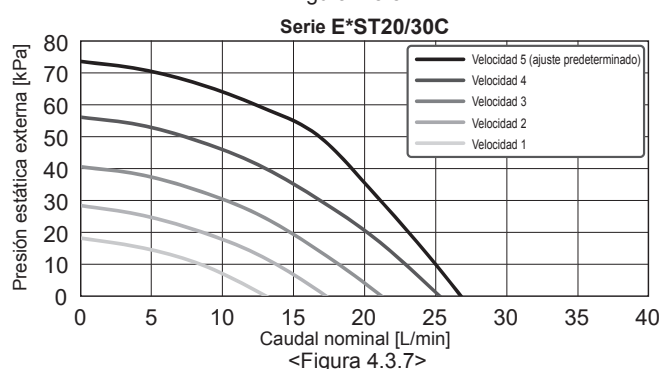
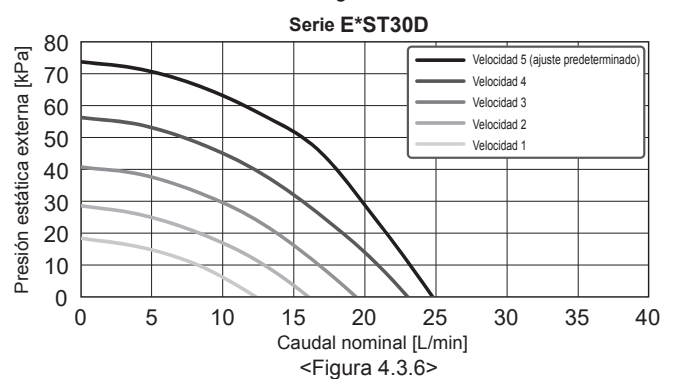
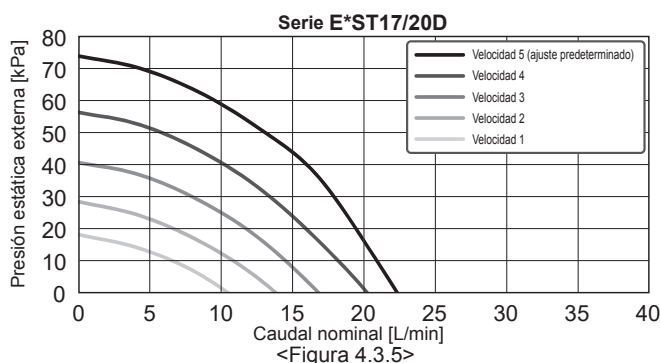
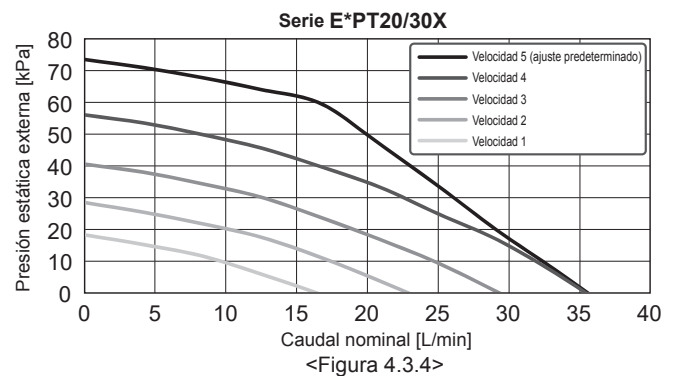
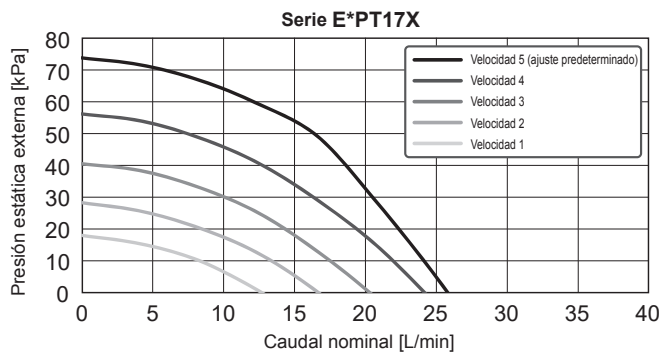
* Si la velocidad del flujo de agua es menos de 5,0 L/min, se activará el error de velocidad de flujo.
Si la velocidad del flujo de agua supera 36,9 L/min (series E**T20/30) o 25,8 L/min (series E**T17), la velocidad del flujo será mayor de 2,0 m/s, lo que podría erosionar los tubos.

2. Circuito sanitario

Ajuste predeterminado: Velocidad 2

La bomba de recirculación de ACS DEBE estar ajustada en la velocidad 2.

Características de la bomba de recirculación de agua



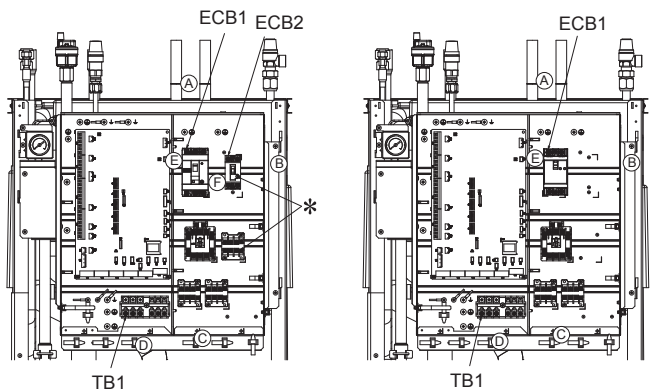
*Para la instalación de la serie E*PT, ajuste su velocidad de bomba con una caída de presión entre el hydrobox duo y la unidad exterior factorizada a la presión estática externa.

4 Instalación

4.4 Conexión eléctrica

Todo el trabajo eléctrico debe ser realizado por un técnico cualificado adecuadamente. El no cumplirlo podría dar lugar a electrocución, incendio y muerte. También anularía la garantía del producto. Todo el cableado debe ser según las normativas de cableado nacionales.

Abreviatura de interruptor	Significado
ECB1	interruptor diferencial con protección de sobrecorriente para resistencia de apoyo
ECB2	Interruptor diferencial con protección de sobrecorriente para resistencia de inmersión
TB1	Bloque de terminales 1



<Monofásica (con resistencia de inmersión)> <Trifásica (sin resistencia de inmersión)>

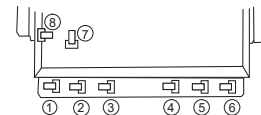
El hydrobox duo puede ser alimentado de dos maneras.

1. El cable de alimentación se dispone desde la unidad exterior al hydrobox duo.
2. El hydrobox duo tiene una fuente de alimentación independiente.

Las conexiones se deben realizar a las terminales indicadas en las figuras a la izquierda abajo dependiendo de la fase.

La resistencia de apoyo y la resistencia de inmersión se deben conectar por separado a suministros de energía dedicados.

- Ⓐ El cableado suministrado localmente se debe introducir a través de las entradas situadas en la parte superior del hydrobox duo. (Consulte <Tabla 3.4>.)
- Ⓑ El cableado se debe alimentar abajo en el lado derecho del cuadro eléctrico y de control y fijar en su sitio utilizando las presillas suministradas.
- Ⓒ Los cables se deben introducir individualmente a través de las entradas de cables como se muestra abajo.
 - ② Cable de salidas
 - ③ Cable interior exterior
 - ⑤ Línea de alimentación (B.H.)
 - Línea de alimentación (I.H.) (Opción)
 - ⑦ Cable de entrada de señal
- Ⓓ Conecte el cable de conexión de unidad exterior - hydrobox duo a TB1.
- Ⓔ Conecte el cable de alimentación para la resistencia de apoyo a ECB1.
- Ⓕ Si está la resistencia de inmersión, conecte el cable de alimentación a ECB2.



- Evite el contacto entre el cableado y las piezas (*).
- Asegúrese de que ECB1 y ECB2 están ON (ACTIVADOS).
- Al terminar el cableado asegúrese de que el cable del mando principal está conectado al conector de relé.

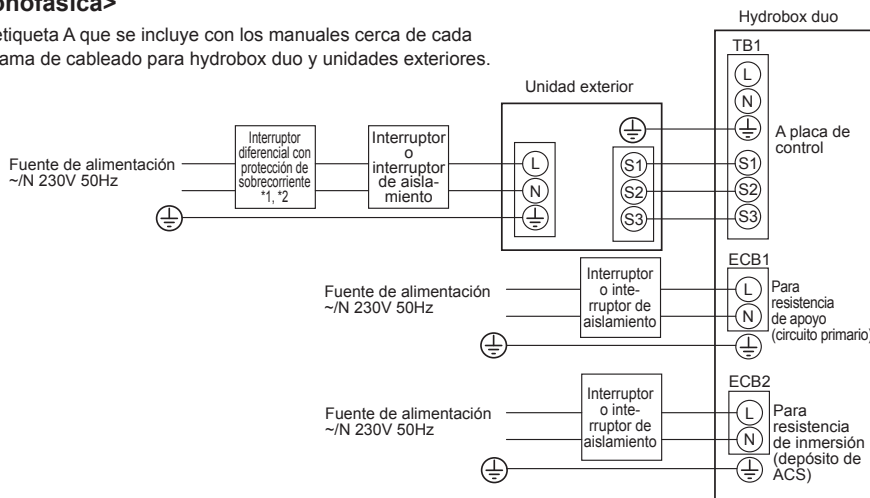
es

Hydrobox duo accionado por unidad exterior

(Si desea utilizar una fuente independiente, vaya al sitio web de Mitsubishi).

<Monofásica>

Fije etiqueta A que se incluye con los manuales cerca de cada diagrama de cableado para hydrobox duo y unidades exteriores.



- *1. Si el interruptor diferencial con protección de sobrecorriente instalado no tiene una función de protección de sobrecorriente, instale un interruptor con dicha función a lo largo de la misma línea de alimentación.
- *2. Se debe proporcionar un interruptor con al menos 3,0 mm de separación de contacto en cada polo. Utilice un interruptor diferencial (NV). El diferencial se debe aportar para garantizar la desconexión de todos los conductores de fase activa del suministro.
- *3. Máx. 45 m
Si 2,5 mm² usado, máx. 50 m
Si 2,5 mm² usado y S3 separado, máx. 80 m
- *4. Los valores indicados en la tabla anterior no siempre se han medido frente al valor de tierra.

<Figura 4.4.1>
Conexiones eléctricas monofásicas

Descripción	Fuente de alimentación	Capacidad	Disyuntor	Cableado
Resistencia de apoyo (circuito primario)	~N 230 V 50 Hz	2 kW	16 A *2	2,5 mm ²
		6 kW	32 A *2	6,0 mm ²
Resistencia de inmersión (depósito de ACS)	~N 230 V 50 Hz	3 kW	16 A *2	2,5 mm ²

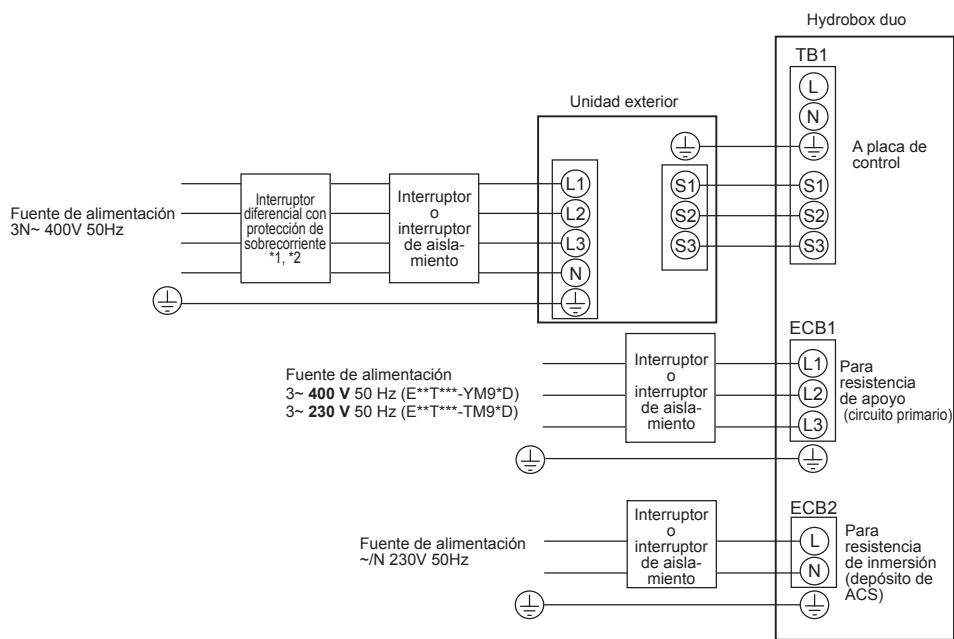
Cableado Nº cableado x tamaño (mm ²)	Hydrobox duo - unidad exterior	*3	3 x 1,5 (polarizado)
	Hydrobox duo - unidad exterior tierra	*3	1 x Min. 1,5
Régimen circuito	Hydrobox duo - unidad exterior S1 - S2	*4	230V CA
	Hydrobox duo - unidad exterior S2 - S3	*4	24V CC

- Nota:**
1. El tamaño del cableado debe cumplir los códigos locales y nacionales aplicables.
 2. Los cables que conectan la unidad interior/unidad exterior no deben ser más ligeros que el cable flexible forrado de policloropreno. (Diseño 60245 IEC 57)
Los cables de la fuente de alimentación de la unidad interior no deben ser más ligeros que el cable flexible forrado de policloropreno. (Diseño 60227 IEC 53)
 3. Instale un cable a tierra más largo que los otros cables.
 4. Mantenga suficiente capacidad de salida de la fuente de alimentación para cada resistencia. La falta de capacidad de la fuente de alimentación puede provocar vibración.

4 Instalación

<Trifásica>

Fije etiqueta A que se incluye con los manuales cerca de cada diagrama de cableado para hydrobox duo y unidades exteriores.



<Figura 4.4.2>
Conexiones eléctricas trifásicas

Descripción	Fuente de alimentación	Capacidad (unidad interior ref.)	Disyuntor	Cableado
Resistencia de apoyo (circuito primario)	3~ 400 V 50 Hz	9 kW	16 A *2	2,5 mm ²
	3~ 230 V 50 Hz	9 kW	32 A *2	6,0 mm ²
Resistencia de inmersión (depósito de ACS)	~N 230 V 50 Hz	3 kW	16 A *2	2,5 mm ²

Cableado Nº cableado x tamaño (mm ²)	Hydrobox duo - unidad exterior	*3	3 × 1,5 (polarizado)
	Hydrobox duo - unidad exterior tierra	*3	1 × Min. 1,5
Circuito régimen	Hydrobox duo - unidad exterior S1 - S2	*4	230 V CA
	Hydrobox duo - unidad exterior S2 - S3	*4	24 V CC

- *1. Si el interruptor diferencial con protección de sobrecorriente instalado no tiene una función de protección de sobrecorriente, instale un interruptor con dicha función a lo largo de la misma línea de alimentación.
- *2. Se debe proporcionar un interruptor con al menos 3,0 mm de separación de contacto en cada polo. Utilice un interruptor diferencial (NV). El diferencial se debe aportar para garantizar la desconexión de todos los conductores de fase activa del suministro.
- *3. Máx. 45 m
Si 2,5 mm² usado, máx. 50 m
Si 2,5 mm² usado y S3 separado, máx. 80 m
- *4. Los valores indicados en la tabla anterior no siempre se han medido frente al valor de tierra.

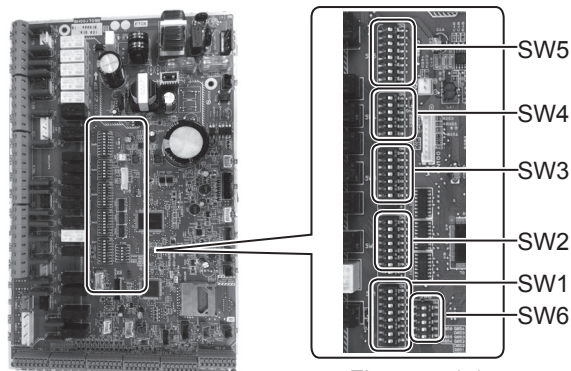
- Nota:**
1. El tamaño del cableado debe cumplir los códigos locales y nacionales aplicables.
 2. Los cables que conectan la unidad interior/unidad exterior no deben ser más ligeros que el cable flexible forrado de policloropreno. (Diseño 60245 IEC 57)
Los cables de la fuente de alimentación de la unidad interior no deben ser más ligeros que el cable flexible forrado de policloropreno. (Diseño 60227 IEC 53)
 3. Instale un cable a tierra más largo que los otros cables.
 4. Mantenga suficiente capacidad de salida de la fuente de alimentación para cada resistencia. La falta de capacidad de la fuente de alimentación puede provocar vibración.

5 Preparación del sistema

5.1 Funciones del interruptor DIP

El número del interruptor DIP está impreso en la placa de circuitos junto a los interruptores relevantes. La palabra ON (encendida) está impresa en la placa de circuitos y en el mismo bloque de interruptores DIP. Para mover el interruptor necesitará usar una clavija o la esquina de una regla metálica fina o similar.

La configuración del interruptor DIP se relaciona abajo en la tabla 5.1.1. Solo un instalador autorizado puede cambiar la configuración del interruptor DIP bajo su propia responsabilidad de acuerdo con las condiciones de instalación. Asegúrese de apagar las fuentes de alimentación de la unidad interior y de la unidad exterior antes de cambiar los ajustes del interruptor.



<Figura 5.1.1>

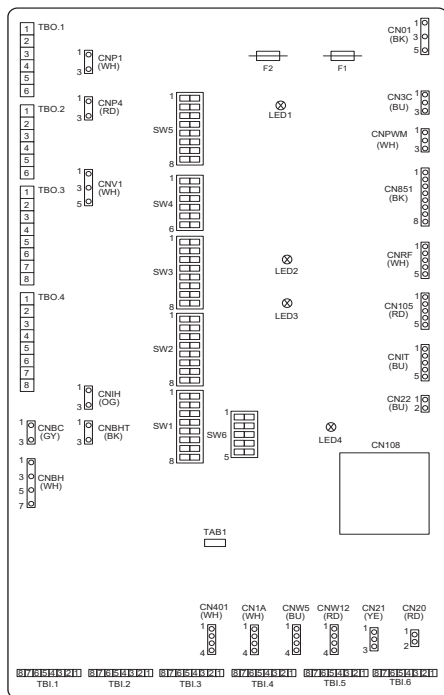
Interruptor DIP	Función	OFF	ON	Ajustes predeterminados: Modelo unidad interior			
SW1	SW1-1	Caldera	SIN caldera	CON caldera	OFF		
	SW1-2	Temperatura de agua de salida máxima bomba de calor	55°C	60°C	ON *1		
	SW1-3	Depósito de ACS	SIN depósito de ACS	CON depósito de ACS	ON		
	SW1-4	Resistencia de inmersión	SIN resistencia de inmersión	CON resistencia de inmersión	OFF: Excepto EHT20X-MHEDW ON: EHPT20X-MHEDW		
	SW1-5	Resistencia de apoyo	SIN resistencia de apoyo	CON resistencia de apoyo	OFF: E**T***-M*ED* ON: E**T***-M 2/6/9*D		
	SW1-6	Función de resistencia de apoyo	Para calefacción sólo	Para calefacción y ACS	OFF: E**T***-M*ED* ON: E**T***-M 2/6/9*D		
	SW1-7	Tipo unidad exterior	Tipo split	Tipo compacto	OFF: E*ST***-M**D ON: E*PT***-M**D*		
	SW1-8	Control remoto inalámbrico	SIN control remoto inalámbrico	CON control remoto inalámbrico	OFF		
SW2	SW2-1	Entrada termostato 1 sala (IN1) cambio lógico	Zona 1 parada operación en termostato corto	Zona 1 parada operación en termostato abierto	OFF		
	SW2-2	Entrada interruptor 1 de flujo (IN2) cambio lógico	Fallo detección en corto	Fallo detección en abierto	OFF		
	SW2-3	Restricción capacidad resistencia de apoyo	Inactivo	Activo	OFF: Excepto E**T***-VM2*D ON: E**T***-VM2*D		
	SW2-4	Función del modo de refrigeración	Inactivo	Activo	OFF: EH*T***-M**D* ON: ER*T***-M**D		
	SW2-5	Cambio automático a operación de fuente de calor de reserva (cuando unidad exterior se para por error)	Inactivo	Activo *2	OFF		
	SW2-6	Tanque mezclador	SIN tanque mezclador	CON tanque mezclador	OFF		
	SW2-7	Control de temperatura de zona 2	Inactivo	Activo *6	OFF		
	SW2-8	Caudalímetro	SIN caudalímetro	CON caudalímetro	ON		
SW3	SW3-1	Entrada termostato sala 2 (IN6) cambio lógico	Zona 2 parada operación en termostato corto	Zona 2 parada operación en termostato abierto	OFF		
	SW3-2	Entrada interruptor de flujo 2 (IN3) cambio lógico	Fallo detección en corto	Fallo detección en abierto	OFF		
	SW3-3	Tipo de válvula de 3 vías	Motor AC	Motor paso a paso	OFF: Excepto E**T17X/17D/20D-M**D* ON: E**T17X/17D/20D-M**D		
	SW3-4	Medidor energía eléctrica	SIN medidor energía eléctrica	CON medidor energía eléctrica	OFF		
	SW3-5	Función de modo de calefacción *3	Inactivo	Activo	ON		
	SW3-6	Control ON/OFF válvula zona 2	Inactivo	Activo	OFF		
	SW3-7	Intercambiador de calor para ACS	Bobina en tanque	Placa externa HEX	ON		
	SW3-8	Calorímetro	SIN calorímetro	CON calorímetro	OFF		
SW4	SW4-1	—	—	—	OFF		
	SW4-2	—	—	—	OFF		
	SW4-3	—	—	—	OFF		
	SW4-4	Operación solo unidad interior (durante el trabajo de instalación)*4	Inactivo	Activo	OFF		
	SW4-5	Modo emergencia (operación solo calefacción)	Normal	Modo emergencia (operación solo calefacción)	OFF (APAGADO) *5		
	SW4-6	Modo emergencia (operación caldera)	Normal	Modo emergencia (operación caldera)	OFF (APAGADO) *5		
SW5	SW5-1	—	—	—	OFF		
	SW5-2	Auto adaptación avanzada	Inactivo	Activo	ON		
	SW5-3	Código de capacidad					
	SW5-4		SW5-3	SW5-4	SW5-5	SW5-6	SW5-7
	SW5-5	E**T***C-M**D	ON	ON	ON	ON	OFF
	SW5-6	E**T***D-M**D	ON	OFF	OFF	ON	OFF
	SW5-7	E**T***X-M**D*	OFF	OFF	OFF	OFF	OFF
	SW5-8	—	—	—	—	—	OFF
	SW6	SW6-1	—	—	—	OFF	
SW6-2		—	—	—	OFF		
SW6-3		Sensor de presión	Inaktiv	Aktiv	OFF: Ausgenommen E*ST**D-M**D ON: E*ST**D-M**D		
SW6-4		Señal de salida analógica (0-10 V)	Inactivo	Activo	OFF		
SW6-5		—	—	—	—	OFF	

<Tabla 5.1.1>

- Nota:** *1. Cuando el hydrobox está conectado con una unidad exterior PUMY-P de la cual la temperatura de agua de salida máxima es 55°C, Dip SW1-2 debe cambiarse a OFF (APAGADO).
*2. Estará disponible la salida externa (OUT11). Por razones de seguridad, esta función no está disponible para determinados errores. (En dicho caso, la operación del sistema se debe detener y sólo la bomba de recirculación de agua se mantiene funcionando).
*3. Este interruptor funciona solamente cuando el hydrobox está conectado con una unidad exterior PUHZ-FRP. Cuando está conectado otro tipo de unidad exterior, la función de modo de calefacción está activa sin tener en cuenta el hecho de que el interruptor esté en ON u OFF (ENCENDIDO o APAGADO).
*4. La calefacción y el ACS se pueden operar solo en la unidad interior, como una resistencia eléctrica. (Consulte "5.4 Operación solo de unidad interior").
*5. Si ya no se necesita el modo de emergencia, devuelva el interruptor a la posición OFF (APAGADO).
*6. Activo solo cuando SW3-6 está ajustado a OFF (APAGADO).

5 Preparación del sistema

5.2 Conexión de entradas/salidas



<Figura 5.2.1>

Especificaciones del cableado y piezas de suministro locales

Elemento	Nombre	Modelo y especificaciones
Función entrada señal	Cable de entrada de señal	Utilice un cordón o cable revestido de vinilo forrado. Máx. 30 m Tipo de cable: CV, CVS o equivalente Tamaño de cable: Cable trenzado 0,13 mm ² a 0,52 mm ² Cable de un hilo: $\varnothing 0,4$ mm a $\varnothing 0,8$ mm
	Interruptor	Señales de contacto "a" sin voltaje Interruptor remoto: carga mínima aplicable 12 V CC, 1 mA

Nota:

El cable trenzado se debe procesar con el terminal cubierto de aislamiento (tipo compatible estándar DIN46228-4).

Entradas de señal

Nombre	Bloque de terminales	Conector	Elemento	APAGADO (abierto)	ENCENDIDO (corto)
IN1	TBI.1 7-8	—	Entrada termostato sala 1 *1	Consulte SW2-1 en <5.1 Funciones del interruptor DIP>.	
IN2	TBI.1 5-6	—	Entrada interruptor de flujo 1	Consulte SW2-2 en <5.1 Funciones del interruptor DIP>.	
IN3	TBI.1 3-4	—	Entrada de interruptor de flujo 2 (Zona 1)	Consulte SW3-2 en <5.1 Funciones de interruptor DIP>.	
IN4	TBI.1 1-2	—	Entrada control demanda	Normal	Fuente de calor APAGADA / operación caldera *3
IN5	TBI.2 7-8	—	Entrada termostato exterior *2	Operación estándar	Operación resistencia/ operación caldera *3
IN6	TBI.2 5-6	—	Entrada termostato sala 2 *1	Consulte SW3-1 en <5.1 Funciones del interruptor DIP>.	
IN7	TBI.2 3-4	—	Entrada de interruptor de flujo 3 (Zona 2)	Consulte SW3-2 en <5.1 Funciones del interruptor DIP>.	
IN8	TBI.3 7-8	—	Medidor energía eléctrica 1	*4	
IN9	TBI.3 5-6	—	Medidor energía eléctrica 2		
IN10	TBI.2 1-2	—	Calorímetro		
IN11	TBI.3 3-4	—	Entrada "Smart Grid" Preparado	*5	
IN12	TBI.3 1-2	—			
INA1	TBI.4 1-3	CN1A	Caudalímetro	—	—

*1. Establezca el tiempo del ciclo de ENCENDIDO/APAGADO del termostato de la habitación en 10 minutos o más, de lo contrario se podría dañar el compresor.

*2. Si utiliza un termostato exterior para el control de la operación de las resistencias, es posible que se reduzca la duración de las resistencias y de las piezas relacionadas.

*3. Para encender la operación de la caldera, utilice el mando principal para seleccionar "Caldera" en la pantalla "Config. entrada ext." en el menú mantenimiento.

*4. Medidor energía eléctrica y calorímetro conectables

- Tipo de pulso: Contacto sin voltaje para la detección 12 VCC por FTC (La clavija 1 TBI.2, las clavijas 5 y 7 TBI.3 tienen un voltaje positivo).
- Duración del pulso: Tiempo mínimo ON (encendido). 40 ms
Tiempo mínimo OFF (apagado). 100 ms
- Unidad de pulso posible: 0,1 pulso/kWh 1 pulso/kWh 10 pulso/kWh
100 pulso/kWh 1000 pulso/kWh

Esos valores se pueden ajustar mediante el mando principal. (Consulte el árbol de menú en "Mando principal".)

*5. Para información sobre "Smart Grid" Preparado "5.5 "Smart Grid" Preparado".

Entradas del termistor

Nombre	Bloque de terminales	Conector	Elemento	Modelo pieza opcional
TH1	—	CN20	Termistor (temp. ambiente) (Opción)	PAC-SE41TS-E
TH2	—	CN21	Termistor (temp. líquido ref.)	—
THW1	—	CNW12 1-2	Termistor (temp. agua flujo)	—
THW2	—	CNW12 3-4	Termistor (temp. agua retorno)	—
THW5A	—	CNW5 1-2	Termistor (superior, temp. agua depósito ACS)	—
THW5B	—	CNW5 3-4	Termistor (inferior, temp. agua depósito ACS)	—
THW6	TBI.5 7-8	—	Termistor (temp. agua flujo zona 1) (Opción)*1	PAC-TH011-E
THW7	TBI.5 5-6	—	Termistor (temp. agua retorno zona 1) (Opción)*1	
THW8	TBI.5 3-4	—	Termistor (temp. agua flujo zona 2) (Opción)*1	PAC-TH011-E
THW9	TBI.5 1-2	—	Termistor (temp. agua retorno zona 2) (Opción)*1	
THWB1	TBI.6 7-8	—	Termistor (temp. agua flujo caldera) (Opción)*1	PAC-TH012HT-E(5 m)/ PAC-TH012HTL-E(30 m)
THW10	TBI.6 5-6	—	Termistor (temp. agua tanque mezclador) (Opción)*1	

Asegúrese de cablear los cables del termistor lejos de la línea de alimentación y/o de los cables OUT1 a 16.

*1. La longitud máxima del cableado del termistor es de 30 m.

La longitud de los termistores opcionales es de 5 m. Si necesita empalmar y extender el cableado, se deben realizar los siguientes puntos.

- Conecte el cableado soldando.
- Aísle cada punto de conexión contra el polvo y el agua. El cable trenzado se debe procesar con el terminal cubierto de aislamiento (tipo compatible estándar DIN46228-4).

5 Preparación del sistema

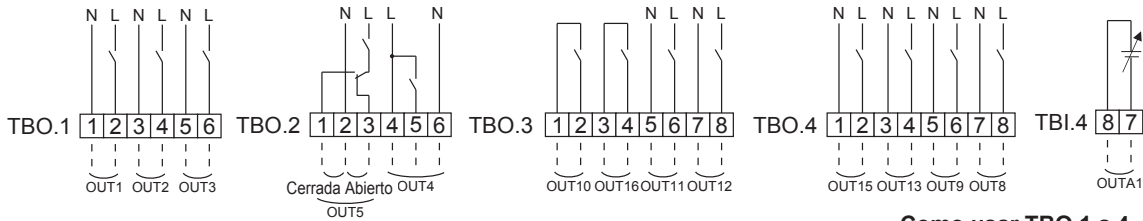
Salidas

Nombre	Bloque de terminales	Conector	Elemento	OFF	ON	Señal/corriente máx.	Corriente total máx.
OUT1	TBO.1 1-2	CNP1	Salida bomba recirculación agua 1 (calefacción/refrigeración y ACS)	OFF	ON	230 V CA 1,0 A máx. (Corriente de irrupción 40 A máx.)	4,0 A (a)
OUT2	TBO.1 3-4	—	Salida bomba de recirculación de agua 2 (calefacción/refrigeración para zona 1)	OFF	ON	230 V CA 1,0 A máx. (Corriente de irrupción 40 A máx.)	
OUT3	TBO.1 5-6	—	Salida bomba de recirculación de agua 3 (calefacción/refrigeración para zona 2) *1	OFF	ON	230 V CA 1,0 A máx. (Corriente de irrupción 40 A máx.)	
OUT14	—	CNP4	Salida bomba recirculación agua 4 (ACS)	OFF	ON	230 V CA 1,0 A máx. (Corriente de irrupción 40 A máx.)	
OUT4	TBO.2 4-6 —	CNV1 CN851	Salida válvula de 3 vías (válvula de 2 vías) Salida válvula de 3 vías	Calefacción	ACS	230 V CA 0,1 A máx.	3,0 A (b)
OUT5	TBO.2 1-2 TBO.2 2-3	—	Salida válvula mezcladora *1	Parada	Cerrada Abierto	230 V CA 0,1 A máx.	
OUT6	—	CNBH 1-3	Salida resistencia de apoyo 1	OFF	ON	230 V CA 0,5 A máx. (relé)	
OUT7	—	CNBH 5-7	Salida resistencia de apoyo 2	OFF	ON	230 V CA 0,5 A máx. (relé)	
OUT8	TBO.4 7-8	—	Salida de la señal de refrigeración	OFF	ON	230 V CA 0,5 A máx.	
OUT9	TBO.4 5-6	CNIH	Salida resistencia de inmersión	OFF	ON	230 V CA 0,5 A máx. (relé)	
OUT11	TBO.3 5-6	—	Salida error	Normal	Error	230 V CA 0,5 A máx.	
OUT12	TBO.3 7-8	—	Salida descongelación	Normal	Descongelación	230 V CA 0,5 A máx.	
OUT13	TBO.4 3-4	—	Salida 2a válvula de 2 vías *2	OFF	ON	230 V CA 0,1 A máx.	
OUT15	TBO.4 1-2	—	Señal ON comp	OFF	ON	230 V CA 0,5 A máx.	
OUT10	TBO.3 1-2	—	Salida caldera	OFF	ON	contacto sin voltaje ·220 - 240 V CA (30 V CC)	—
OUT16	TBO.3 3-4	—	Señal termo ON Calefacción/refrigeración	OFF	ON	0,5 A o menos ·10 mA 5 V CC o más	
OUTA1	TBI.4 7-8	—	Salida analógica	0 - 10 V		0 - 10 V DC 5 mA máx.	—

No conecte a las terminales que está indicadas como "—" en el campo "Bloque de terminales".

*1 Para el control de temperatura de la zona 2.

*2 Para el control ON/OFF válvula zona 2.



Especificaciones del cableado y piezas de suministro locales

Elemento	Nombre	Modelo y especificaciones
Función salida externa	Cable de salidas	Utilice un cordón o cable revestido de vinilo forrado. Máx. 30 m Tipo de cable: CV, CVS o equivalente Tamaño de cable: Cable trenzado 0,25 mm ² a 1,5 mm ² Cable de un hilo: ø0,57 mm a ø1,2 mm

Como usar TBO.1 a 4



Conectarlos usando cualquiera de las maneras que se muestran arriba.

<Figura 5.2.2>

- Nota:**
1. Cuando el hydrobox está accionado mediante una unidad exterior, la corriente total general máxima de (a)+(b) es 3,0 A.
 2. No conecte múltiples bombas de recirculación de agua directamente a cada salida (OUT1, OUT2 y OUT3). En dicho caso, conéctelos por (un) relé/s.
 3. No conecte bombas de recirculación de agua a los dos TBO.1 1-2 y CNP1 al mismo tiempo.
 4. Conecte un amortiguador de ondas vagabundas apropiado a OUT10 (TBO.3.1.2) dependiendo de la carga en el sitio.
 5. El cable trenzado se debe procesar con el terminal cubierto de aislamiento (tipo compatible estándar DIN46228-4).
 6. Utilice el mismo cable de entrada de señal para el cableado OUTA1.

5.3 Cableado para el control de temperatura de la zona 2

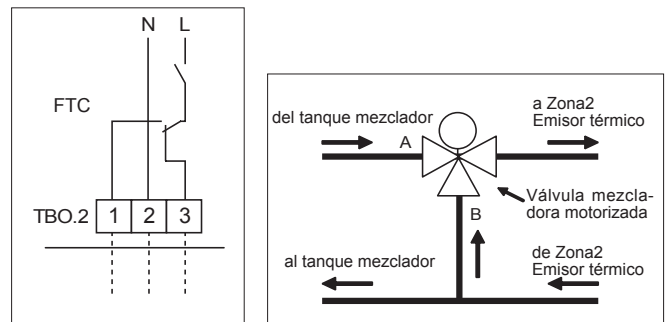
Conecte las tuberías y las piezas suministradas en el campo de acuerdo con el correspondiente diagrama del circuito que se indica en "Sistema local", en la Sección 3 de este manual.

<Válvula mezcladora>

Conecte la línea de señales a Puerto A abierto (puerto entrada agua caliente) a TBO. 2-3 (abierto), la línea de señales a Puerto B abierto (puerto entrada agua fría) a TBO. 2-1 (cerrado), y el cable del terminal neutro a TBO. 2-2 (N).

<Termistor>

- No instale los termistores en el tanque mezclador.
- Instale el termistor de temp. flujo zona 2 (THW8) cerca de la válvula mezcladora.
- La longitud máxima del cableado del termistor es de 30 m.
- La longitud de los termistores opcionales es de 5 m. Si necesita empalmar y extender el cableado, se deben realizar los siguientes pasos.
 - 1) Conecte el cableado soldando.
 - 2) Aísle cada punto de conexión contra el polvo y el agua



Cerrado N Abierto

5 Preparación del sistema

5.4 Operación solo de unidad interior (durante el trabajo de instalación)

En el caso de que se necesite ACS o operación de la calefacción antes de la conexión de la unidad exterior, esto es, durante el trabajo de instalación, se puede usar una resistencia eléctrica en la unidad interior (*1).

*1 Modelo con resistencia eléctrica solamente.

- Para comenzar la operación
 - Compruebe si la fuente de alimentación de la unidad interior está OFF y ponga en ON el interruptor DIP 4-4 y 4-5.
 - Ponga en ON la fuente de alimentación de la unidad interior.

2. Para finalizar la operación *2

- ENCIENDA la fuente de alimentación de la unidad interior.
- APAGUE el interruptor DIP 4-4 y 4-5.

*2 Cuando se finaliza la operación solo de la unidad interior, asegúrese de comprobar los ajustes después de conectar la unidad exterior.

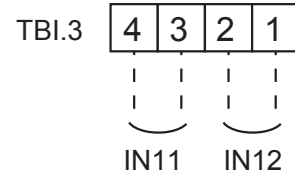
Nota:

La ejecución larga de esta operación puede afectar a la resistencia eléctrica.

5.5 "Smart Grid" Preparado

En ACS o en modo operación calefacción se pueden utilizar los comandos de la tabla a continuación.

IN11	IN12	Significado
APAGADO (abierto)	APAGADO (abierto)	Funcionamiento normal
ENCENDIDO (corto)	APAGADO (abierto)	Recomendación de encendido
APAGADO (abierto)	ENCENDIDO (corto)	Comando de apagado
ENCENDIDO (corto)	ENCENDIDO (corto)	Comando de encendido



5.6 Uso de la tarjeta de memoria SD

El hydrobox duo está equipado con una interfaz de tarjeta de memoria SD en FTC.

El uso de una tarjeta de memoria SD puede simplificar los ajustes del mando principal y puede guardar los registros operativos. *1

*1 Para editar los ajustes del mando principal o comprobar los datos operativos, se necesita una herramienta de servicio Ecodan (para uso con el ordenador).

<Precauciones de manipulación>

- Utilice una tarjeta de memoria SD que cumpla las normas de SD. Compruebe que la tarjeta de memoria SD tenga un logotipo de los mostrados a la derecha.
- Las tarjetas de memoria SD para los estándares SD incluyen las tarjetas de memoria SD, SDHC, mini SD, micro SD y micro SDHC. Las capacidades están disponibles hasta 32 GB. Elija la de una temperatura máxima permitida de 55°C.
- Cuando la tarjeta de memoria SD sea una tarjeta de memoria mini SD, mini SDHC, micro SD o micro SDHC, utilice un adaptador convertidor de tarjeta de memoria SD.
- Antes de escribir en la tarjeta de memoria SD, suelte el interruptor de proteger escritura.



- Antes de insertar o expulsar una tarjeta de memoria SD, asegúrese de apagar el sistema. Si se inserta o expulsa una tarjeta de memoria SD con el sistema encendido, los datos guardados se podrían corromper o se podría dañar la tarjeta de memoria SD. *Una tarjeta de memoria SD sigue activa durante un rato después de que se haya apagado el sistema. Antes de la inserción o expulsión, espere hasta que los pilotos LED en la placa de control FTC estén todos apagados.
- Las operaciones de lectura y escritura se han verificado usando las siguientes tarjetas de memoria SD, sin embargo, estas operaciones no están siempre garantizadas ya que las especificaciones de estas tarjetas de memoria SD podrían cambiar.

Fabricante	Modelo	Probado en
Verbatim	#44015	Mar. 2012
SanDisk	SDSDB-002G-B35	Oct. 2011
Panasonic	RP-SDP04GE1K	Oct. 2011
Arvato	2GB PS8032 TSB 24nm MLC	Jun. 2012
Arvato	2GB PS8035 TSB A19nm MLC	Jul. 2014
SanDisk	SDSDUN-008G-G46	Oct. 2016
Verbatim	#43961	Oct. 2016
Verbatim	#44018	Oct. 2016
VANTASTEK	VSDHC08	Sep. 2017

Antes de usar una nueva tarjeta de memoria SD (incluida la tarjeta que viene con la unidad), compruebe siempre que el controlador FTC puede leer y escribir con seguridad en la tarjeta de memoria SD.

<Cómo comprobar las operaciones de lectura y escritura>

- Comprobar el cableado correcto de la fuente de alimentación al sistema. Para obtener más detalles, consulte la sección 4.5. (No encienda el sistema en este momento).
- Inserte una tarjeta de memoria SD.
- Encienda el sistema.
- El piloto LED4 se enciende si las operaciones de lectura y escritura se han completado correctamente. Si el piloto LED4 continúa parpadeando o no se enciende, el controlador FTC no puede leer o escribir en la tarjeta de memoria SD.

- Asegúrese de seguir las instrucciones y los requisitos del fabricante de la tarjeta de memoria SD.
- Formatee la tarjeta de memoria SD si se determina ilegible en el paso (6). Esto podría hacerla legible. Descargue un formateador de tarjeta SD del siguiente sitio. Página de inicio de la Asociación SD: <https://www.sdcard.org/home/>
- FTC es compatible con el sistema de archivos FAT pero no con el sistema de archivos NTFS.
- Mitsubishi Electric no es responsable de ningún daño, parcial o total, incluido fallo de escritura a una tarjeta de memoria SD ni de la corrupción ni pérdida de los datos guardados o similar. Haga una copia de seguridad de los datos según sea necesario.
- No toque ninguna pieza electrónica de la placa de control FTC cuando inserte o expulse una tarjeta de memoria SD, o de lo contrario la placa de control podría fallar.

Logotipos
Capacidades
2 GB a 32 GB *2
Clases de velocidad SD
Todas

- El logotipo SD es una marca registrada de SD-3C, LLC. El logotipo mini SD es una marca registrada de SD-3C, LLC. El logotipo micro SD es una marca registrada de SD-3C, LLC.

*2 Una tarjeta de memoria SD de 2 GB guarda hasta 30 días de registros de operación.

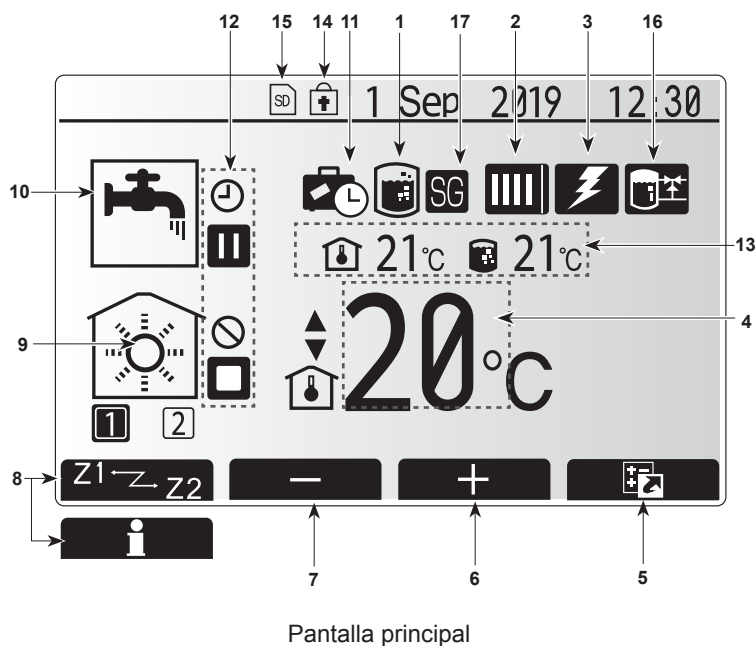
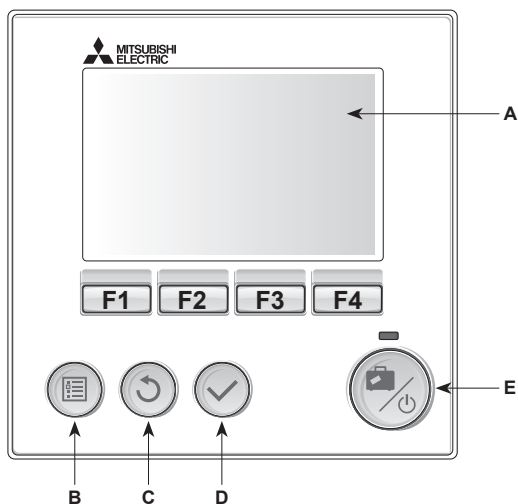
5 Preparación del sistema

5.7 Mando principal

■ Mando principal

Para cambiar la configuración del sistema de calefacción/refrigeración, utilice el mando principal ubicado en el panel frontal del hydrobox duo o del hydrobox. A continuación se ofrece una guía para consultar los parámetros principales de la configuración. En caso de necesitar más información, póngase en contacto con el instalador o con el distribuidor local de Mitsubishi Electric.

El modo de refrigeración solo está disponible para las series ERS. Sin embargo, el modo de refrigeración no está disponible cuando la unidad interior está conectada a PUHZ-FRP.



Pantalla principal

<Partes del mando principal>

Letra	Nombre	Función
A	Pantalla	Pantalla en la que se muestra toda la información.
B	Menú	Acceso a ajustes del sistema para configuración inicial y modificaciones.
C	Atrás	Vuelve al menú anterior.
D	Confirmar	Usado para seleccionar o guardar. (Tecla Enter)
E	Alimentación/ Vacaciones	Si el sistema se apaga, al pulsar una vez se encenderá el sistema. Al pulsar de nuevo cuando el sistema está encendido se habilitará el Modo vacaciones. Manteniendo pulsado el botón durante 3 s apagará el sistema. (*1)
F1-4	Teclas de función	Utilizadas para desplazarse por el menú y ajustar la configuración. La función es determinada por la pantalla de menú visible en la pantalla A.

*1

Quando el sistema se apaga o se desconecta la fuente de alimentación, las funciones de protección del hydrobox (p. ej. inicio función congelación) NO funcionarán. Tenga en cuenta que sin estas funciones de seguridad activadas, el hydrobox podría estar potencialmente expuesto a daños.

<Íconos de la pantalla principal>

	Ícono	Descripción
1	Prevenición legionela	Cuando se muestra este ícono, está activo el "modo de prevención de legionela".
2	Bomba de calor	"Bomba calor" está funcionando.
		Descongelación.
		Calefacción de emergencia.
		El "Modo silencioso" está activado.
3	Resistencia eléctrica	Cuando se muestra este ícono las "resistencias eléctricas" (resistencia de apoyo o inmersión) están en uso.
4	Temperatura objetivo	Temperatura de flujo objetivo
		Temperatura de sala objetivo
		Curva de compensación
5	OPCIÓN	Al pulsar el botón de función de abajo este ícono muestra la pantalla de información.
6	+	Aumenta la temperatura deseada.
7	-	Disminuye la temperatura deseada.
8	Z1 Z2	Al pulsar el botón de función de abajo este ícono cambia entre Zona 1 y Zona 2.
		Información
9	Modo de calefacción/refrigeración	Modo de calefacción Zona 1 o Zona 2
		Modo de refrigeración Zona 1 o Zona 2
10	Modo ACS	Modo normal o ECO
11	Modo vacaciones	Cuando se muestra este ícono, está activado el "Modo vacaciones".
12		Temporizador
		Prohibido
		Control servidor
		Espera
		Espera (*2)
		Parada
13	Temperatura actual	Temperatura de sala actual
		Temperatura de agua actual del depósito de ACS
14		El botón Menú está bloqueado o el cambio de los modos de operación entre operaciones ACS y calefacción están desactivados en la pantalla Opciones. (*3)
15		La tarjeta de memoria SD está insertada. Operación normal.
		La tarjeta de memoria SD está insertada. Operación anómala.
16	Control del tanque intermedio	Cuando se muestra este ícono, está activo el "Control del tanque intermedio".
17	"Smart Grid" Preparado	Cuando se muestra este ícono, está activo el "Preparado para la red inteligente de energía".

*2 Esta unidad está en espera mientras otra unidad/es esté en funcionamiento por prioridad.

*3 Para bloquear o desbloquear el menú, pulse las teclas de ATRÁS y CONFIRMAR simultáneamente durante 3 segundos.

es

5 Preparación del sistema

■ [Asistente config. inicial]

Cuando se enciende el mando principal por primera vez, la pantalla va automáticamente a la pantalla de configuración Idioma, la pantalla de configuración Fecha/ Hora y la pantalla del menú de ajustes principales en orden. Introduzca el número deseado usando las teclas de función y pulse CONFIRMAR.

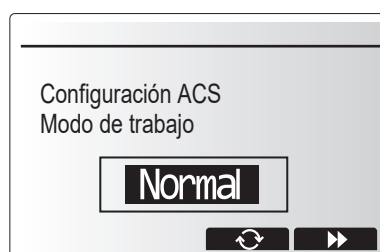
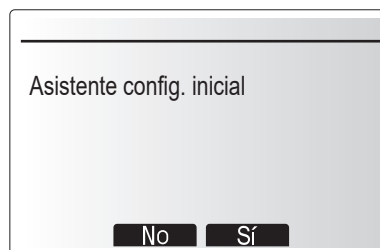
Nota:

<RESTRIC. CAPAC. RESISTENCIA>

Este ajuste limita la capacidad de la resistencia de apoyo. NO es posible cambiar el ajuste tras la puesta en marcha.

Si no existen requisitos especiales (como normativas de construcción) en su país, salte este ajuste (seleccione "No").

- [Agua Caliente Sanitaria(ACS/Legionela)]
- [Calefacción]/[Refrigeración]
- [Modo de trabajo (ON/prohibido/temporizador)]
- [Velocidad bomba]
- [Rango vel. caudal bomba calor]
- [Ctrl.válvula mezcladora]
- [RESTRIC. CAPAC. RESISTENCIA]



■ Menú de ajustes principales

Se puede acceder al menú de ajustes principales pulsando el botón MENÚ. Para reducir el riesgo de que los usuarios finales sin formación alteren la configuración accidentalmente, hay dos niveles de acceso para los ajustes principales; y el menú de la sección de mantenimiento está protegido con contraseña.

Nivel de usuario - pulsación corta

Si el botón MENÚ se pulsa una vez durante un tiempo breve, se visualizarán los ajustes principales pero sin la función editar. Esto permitirá al usuario ver los ajustes actuales pero **NO** cambiar los parámetros.

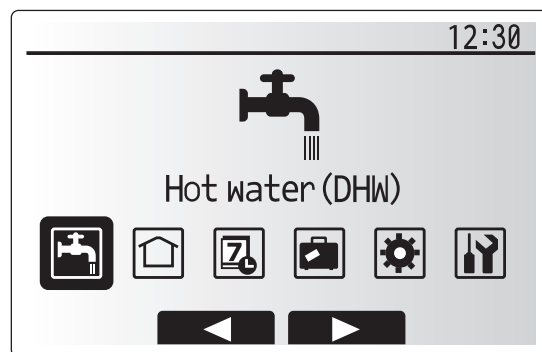
Nivel de instalador - pulsación larga

Si se pulsa el botón de MENÚ durante 3 s, se visualizarán los ajustes principales con todas la funcionalidad disponible.

El color de los botones ◀▶ se encuentra invertido, tal y como se indica en la figura de la derecha. <Figura 5.7.1>

Se pueden ver y/o editar los siguientes elementos (dependiendo del nivel de acceso).

- [Agua caliente sanitaria (ACS)]
- [Calefacción/refrigeración]
- [Temporizador programación]
- [Modo Vacaciones]
- [Configuración inicial]
- [Mantenimiento] (protegido con contraseña)



Menú principal

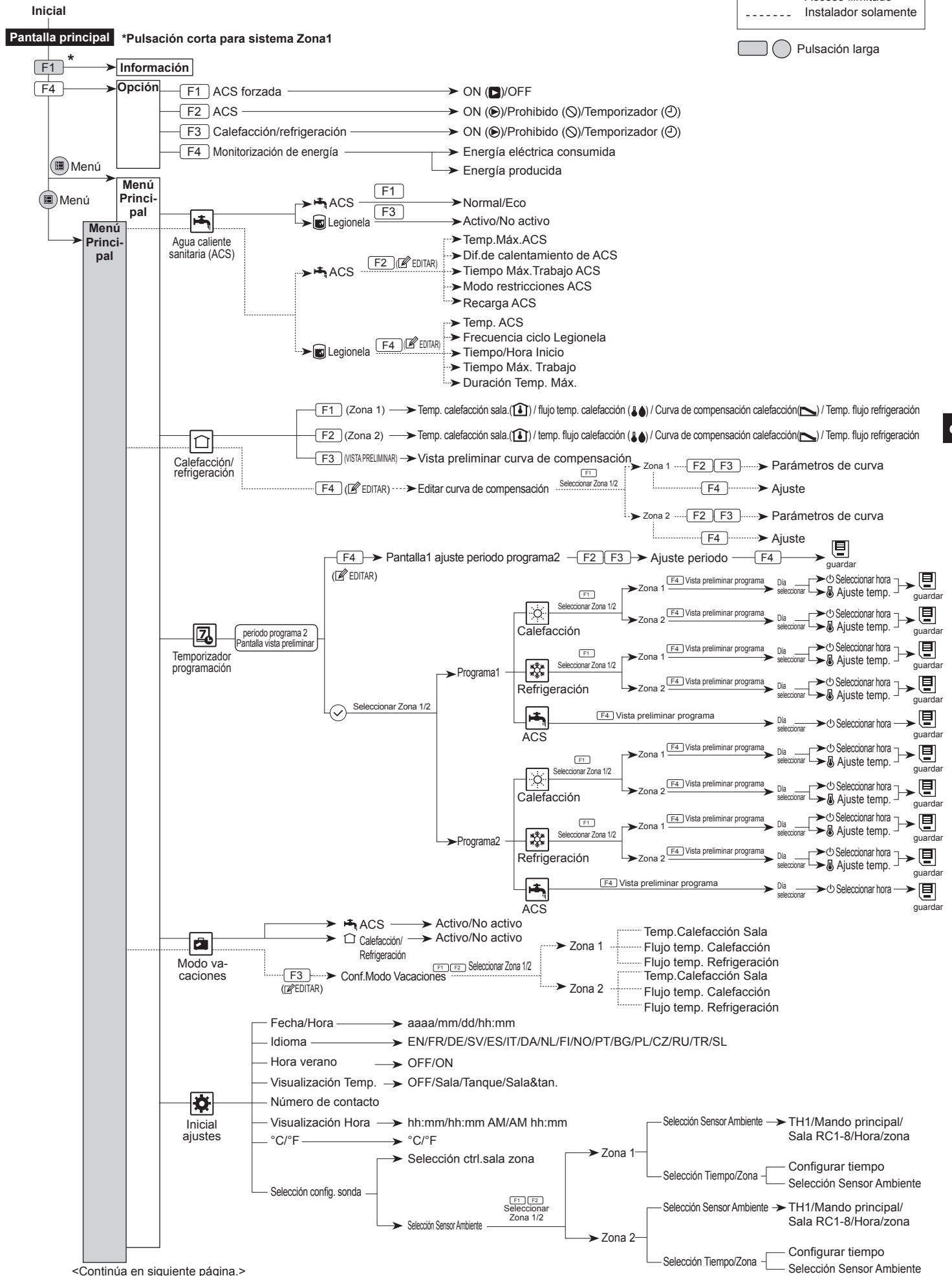


<Figura 5.7.1>

5 Preparación del sistema

<Árbol de menú del mando principal>

Acceso ilimitado
 Instalador solamente
 Pulsación larga

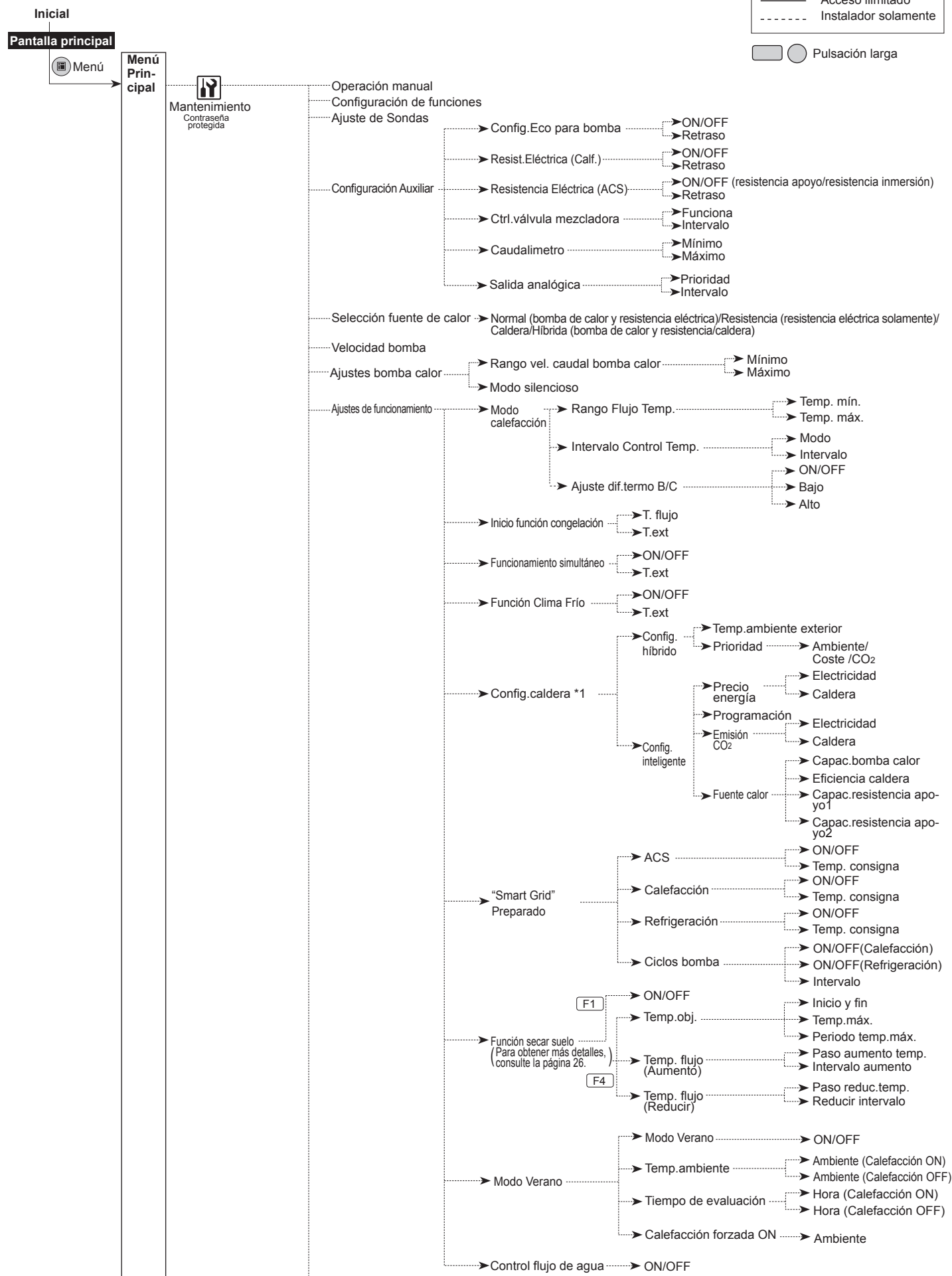
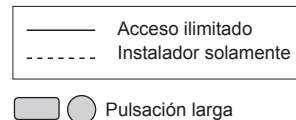


<Continúa en siguiente página.>

es

5 Preparación del sistema

<Continuación de la página anterior.>
 <Árbol de menú del mando principal>



ES

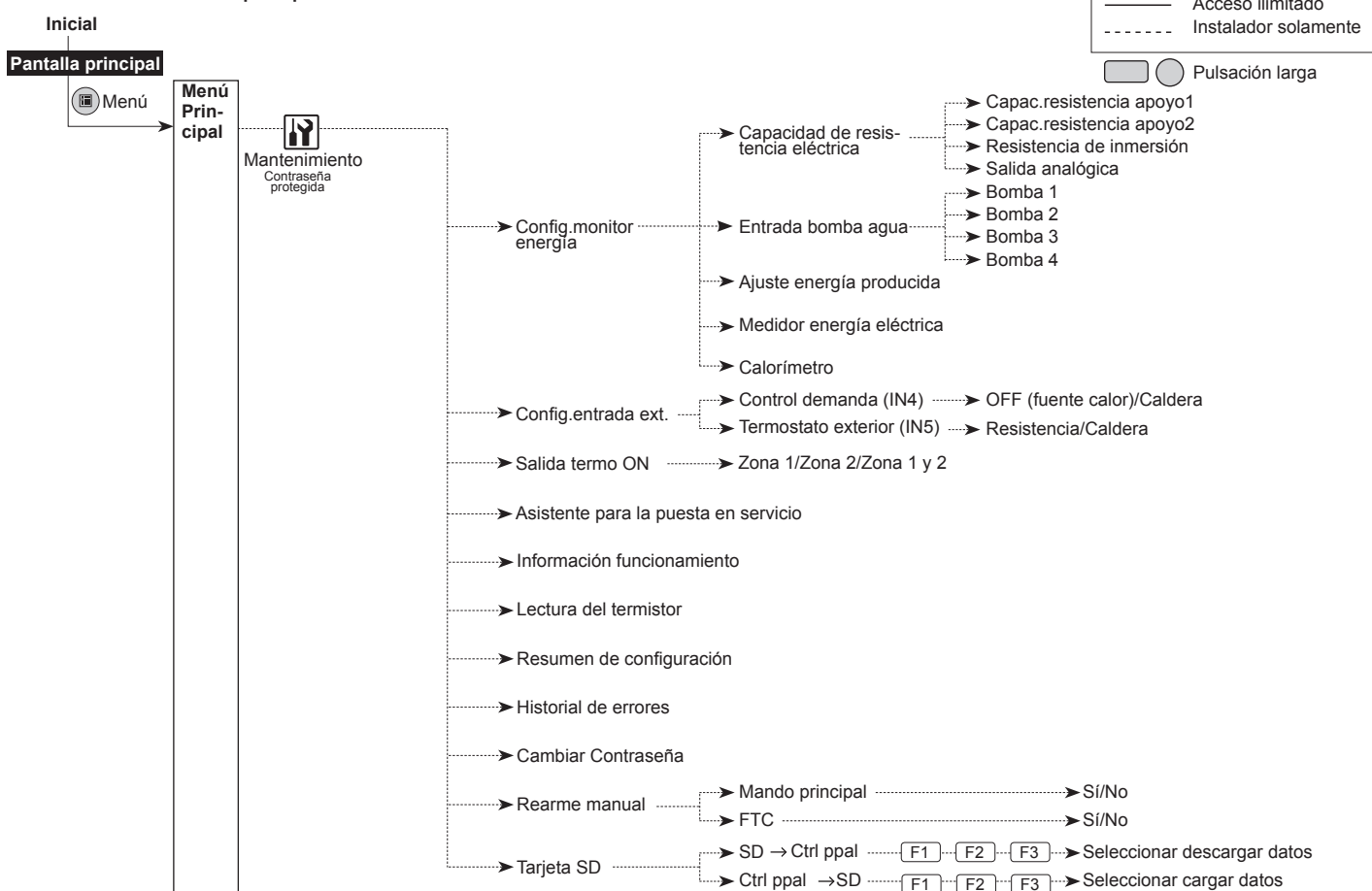
<Continúa en siguiente página.>

*1 Para obtener más detalles, consulte el manual de instalación de PAC-TH012HT(L)-E.

5 Preparación del sistema

<Continuación de la página anterior.>

<Árbol de menú del mando principal>



Agua caliente sanitaria (ACS)/Prevención de legionela

Los menús de agua caliente sanitaria y de prevención de legionela controlan la operación de calentamiento del depósito de ACS.

<Configuración de modo ACS>

1. Marque el icono de agua caliente y pulse CONFIRMAR.
2. Utilice el botón F1 para cambiar entre los modos de calefacción Normal y ECO.
3. Para editar el modo, presione el botón MENÚ durante 3 seg, a continuación seleccione "agua caliente".
4. Pulse la tecla F2 para mostrar el menú de CONFIGURACIÓN AGUA CALIENTE (ACS).
5. Utilice las teclas F2 y F3 para desplazarse por el menú que selecciona cada componente por turnos pulsando CONFIRMAR. Véase la tabla de abajo para la descripción de cada configuración.
6. Introduzca el número deseado usando las teclas de función y pulsando CONFIRMAR.



Subtítulo de menú	Función	Rango	Unidad	Valor predefinido
Temp. máx. ACS	Temperatura deseada de agua caliente almacenada	40 - 60	°C	50
Dif. de calentamiento de ACS	Diferencia de temperatura entre temp. máx. ACS y la temperatura a la que se reinicia el modo ACS	5 - 30 *	°C	10
Tiempo máx.trabajo ACS	Tiempo máx. permitido para el modo ACS de calentamiento de agua almacenada	30 - 120	min	60
Modo restricciones ACS	El periodo de tiempo después del modo ACS cuando la calefacción tiene prioridad sobre el modo ACS temporalmente que previene más calentamiento del agua almacenada (Sólo cuando haya transcurrido el tiempo máx. trabajo ACS).	30 - 120	min	30

* Cuando la temperatura máxima del ACS esté ajustada por encima de los 55°C, la temperatura de reinicio del modo ACS debe ser inferior a 50°C para proteger el dispositivo.

<Modo ECO>

El modo ACS puede funcionar en modo "Normal" o "ECO". El modo normal calentará el agua en el depósito de ACS más rápidamente usando la energía completa de la bomba de calor. El modo ECO necesita un poco más para calentar el agua en el depósito de ACS pero se reduce la energía utilizada. Esto es debido a que la operación de la bomba de calor está restringida usando señales de FTC basándose en la temperatura del depósito de ACS medida.

Nota: La energía real ahorrada en el modo ECO variará según la temperatura ambiente exterior.

<[Recarga ACS]>

Seleccione la cantidad de ACS. Si es necesaria mucha agua caliente, seleccione GRANDE, pero aumentar los costes de funcionamiento.

Volver al menú de prevención legionela/ACS.

5 Preparación del sistema

Configuración del Modo de prevención de legionela (modo PL)

1. Utilice el botón F3 para elegir modo legionela activo SÍ/NO.
2. Para editar la función legionela, presione el botón MENÚ durante 3 seg y seleccione "agua caliente", a continuación pulse la tecla F4.
3. Utilice las teclas F1 y F2 para desplazarse por el menú que selecciona cada subtítulo por turnos pulsando CONFIRMAR. Véase la tabla de abajo para la descripción de cada configuración.
4. Introduzca el número deseado usando las teclas de función y pulsando CONFIRMAR.

Durante el modo Prevención legionela, la temperatura del agua almacenada se eleva por encima de 60°C para inhibir el crecimiento de la bacteria legionela. Se recomienda encarecidamente que se haga a intervalos regulares. Compruebe las regulaciones locales sobre la frecuencia recomendada de calentamientos.

Tenga en cuenta que el modo PL utiliza la ayuda de resistencias eléctricas para complementar la entrada de energía de la bomba de calor. Calentar agua durante largos periodos de tiempo no es eficiente y aumentarán los costes de funcionamiento. El instalador debe meditar cuidadosamente la necesidad del tratamiento de prevención de legionela mientras que no malgaste energía calentando el agua almacenada durante periodos de tiempo excesivos. El usuario final debe entender la importancia de esta característica.
CUMPLA SIEMPRE LA GUÍA LOCAL Y NACIONAL DE SU PAÍS EN RELACIÓN CON LA PREVENCIÓN DE LA LEGIONELA.

Nota: Cuando se producen fallos en el Hydrobox, el modo PL puede no funcionar con normalidad.

Subtítulo de menú	Función	Rango	Unidad	Valor predefinido
Temp. ACS	Temperatura deseada de agua caliente almacenada	60–70	°C	65
Frecuencia ciclo Legionela	Tiempo entre calentamientos depósito ACS modo PL	1–30	día	15
Tiempo/Hora Inicio	Tiempo cuando modo PL se iniciará	0:00–23:00	-	03:00
Tiempo Máx. Trabajo	Tiempo máximo permitido para que el modo PL caliente depósito ACS	1–5	hora	3
Duración Temp. Máx.	El período de tiempo tras alcanzar la temperatura de agua deseada en el modo PL	1–120	min	30

[Configuración inicial]

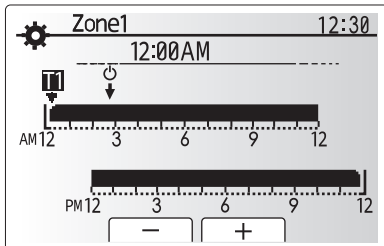
Desde el menú de configuración inicial, el instalador puede ajustar lo siguiente:

- [Fecha/Hora] *Asegúrese de ajustarlo conforme a la hora oficial local.
- [Idioma]
- [Tiempo de verano]
- [Visualización Temp.]
- [Número de contacto]
- [Visualización Hora]
- [°C/°F]
- [Selección config. sonda]

Siga el procedimiento descrito en Operación general para la operación de configuración.

<[Selección config. sonda]>

Para la selección config. sonda es importante elegir la sonda de sala correcta dependiendo del modo de calefacción en que operará el sistema.



Pantalla de ajuste programa hora/zona

Subtítulo de menú	Descripción																			
Selección ctrl. sala zona	Cuando está activo el control de temperatura zona 2 y están disponibles los controles remotos inalámbricos, desde la pantalla Selec. ctrl.sala zona, seleccione el nº de zona para asignar a cada control remoto.																			
Selección Sensor Ambiente	Desde la pantalla selección sensor ambiente, seleccione una sonda para ser utilizada para controlar la temperatura de la sala desde Zona 1 y Zona 2 por separado. <table border="1" style="width: 100%; margin-top: 5px;"> <thead> <tr> <th rowspan="2">Opción de control A (Manual del sitio web)</th> <th colspan="2">Configuración inicial correspondiente selección sonda</th> </tr> <tr> <th>Zona 1</th> <th>Zona 2</th> </tr> </thead> <tbody> <tr> <td>A</td> <td>Ctrl. sala 1-8 (una para cada zona: zona 1 y zona 2)</td> <td>*1</td> </tr> <tr> <td>B</td> <td>TH1</td> <td>*1</td> </tr> <tr> <td>C</td> <td>Mando principal</td> <td>*1</td> </tr> <tr> <td>D</td> <td>*1</td> <td>*1</td> </tr> </tbody> </table> <p>Cuando distintos sensores ambientes se usan según la programación horaria</p> <table border="1" style="width: 100%; margin-top: 5px;"> <tbody> <tr> <td>Tempo/Zona *2</td> <td>*1</td> </tr> </tbody> </table>	Opción de control A (Manual del sitio web)	Configuración inicial correspondiente selección sonda		Zona 1	Zona 2	A	Ctrl. sala 1-8 (una para cada zona: zona 1 y zona 2)	*1	B	TH1	*1	C	Mando principal	*1	D	*1	*1	Tempo/Zona *2	*1
Opción de control A (Manual del sitio web)	Configuración inicial correspondiente selección sonda																			
	Zona 1	Zona 2																		
A	Ctrl. sala 1-8 (una para cada zona: zona 1 y zona 2)	*1																		
B	TH1	*1																		
C	Mando principal	*1																		
D	*1	*1																		
Tempo/Zona *2	*1																			

*1. No especificado (si se usa un termostato de sala suministrado localmente) Ctrl.
 Sala 1-8 (una para cada zona: zona 1 y zona 2) (si se usa un control remoto inalámbrico como termostato de sala).
 *2. Desde la pantalla Selección Sensor Ambiente, seleccione Hora/Zona para hacer posible el uso de distintas sondas según el programa de tiempo ajustado en el menú Selección Tempo/Zona. Las sondas de sala se pueden cambiar hasta 4 veces en 24 horas.

[Menú [mantenimiento]

El menú mantenimiento proporciona funciones para uso del instalador o técnico de servicio. NO está previsto que el propietario del hogar modifique los ajustes dentro de este menú. Por este motivo se necesita protección por contraseña para evitar el acceso no autorizado a los ajustes de servicio.

La contraseña predeterminada de fábrica es "0000".

Siga el procedimiento descrito en Operación general para la operación de configuración.

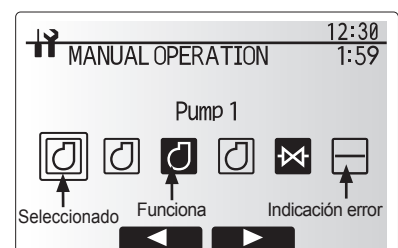
Muchas funciones no se pueden ajustar mientras está funcionando la unidad interior. El instalador debe apagar la unidad antes de intentar ajustar estas funciones. Si el instalador intenta cambiar los ajustes mientras la unidad está funcionando, el mando principal mostrará un mensaje recordatorio pidiendo al instalador que pare el funcionamiento antes de continuar. Al seleccionar "SÍ" la unidad dejará de funcionar.

<[Operación manual]>

Durante el llenado del sistema la bomba de recirculación del circuito primario y la válvula de 3 vías se pueden anular manualmente usando el modo de operación manual. Cuando se selecciona la operación manual, en la pantalla aparece un icono de temporizador pequeño. Si se selecciona, esta función sólo se quedará en operación manual durante un máximo de 2 horas. Esto es para prevenir una anulación permanente accidental de FTC.

► Ejemplo

Al pulsar el botón F3, cambiará el modo de operación manual ON para la válvula de 3 vías principal. Cuando el llenado del depósito de ACS se ha completado, el instalador debe acceder de nuevo a este menú y pulsar F3 para desactivar la operación manual de la pieza. Como alternativa, una vez transcurridas 2 horas el modo de operación manual ya no estará activo y FTC reanudará el control del hydrobox duo.



Pantalla de menú Operación manual

5 Preparación del sistema

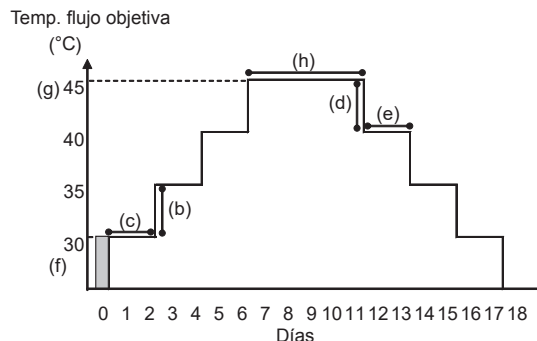
La operación manual y la configuración de la fuente de calor no se pueden seleccionar si el sistema está funcionando. Se mostrará una pantalla pidiendo al instalador que detenga el sistema antes de que se puedan activar estos modos.
El sistema se para automáticamente 2 horas después de la última operación.

<[Función secar suelo]>

La función secar suelo cambia automáticamente la temperatura de agua caliente objetiva en fases para secar gradualmente el hormigón cuando se ha instalado este tipo particular de sistema de calefacción de suelo radiante.

Al completar la operación, el sistema detiene todas las operaciones salvo inicio función congelación.

Para la función secar suelo, la temp. flujo objetiva de Zona 1 es la misma que la de la Zona 2.



- Esta función no está disponible cuando se ha conectado una unidad exterior PUAZ-FRP.
- Desconecte el cableado a las entradas externas del termostato de sala, control de demanda y termostato exterior o es posible que no se mantenga la temp. flujo objetiva.

Funciones		Símbolo	Descripción	Opción/Rango	Unidad	Predeterminado
Función secar suelo		a	Ajuste la función a ON y encienda el sistema usando el mando principal, y se iniciará la operación de calefacción de secado.	ON/OFF	—	OFF
Temp. flujo (aumento)	Paso aumento temp. flujo	b	Ajusta el paso de aumento de la temp. flujo objetiva.	+1 - +10	°C	+5
	Intervalo aumento	c	Ajusta el periodo para el que se mantenga la misma temp. flujo objetiva.	1 - 7	día	2
Temp. flujo (reducir)	Paso reducción temp. flujo	d	Ajusta el paso de reducción de la temp. flujo objetiva.	-1 - -10	°C	-5
	Reducir intervalo	e	Ajusta el periodo para el que se mantenga la misma temp. flujo objetiva.	1 - 7	día	2
Temperatura objetivo	Inicio y fin	f	Ajusta la temp. de flujo objetiva al inicio y al final de la operación.	20 - 60	°C	30
	Temp. máx. objetiva	g	Ajusta la temp. de flujo objetiva máxima.	20 - 60	°C	45
	Per.temp.máx.	h	Ajusta el periodo para el que se mantenga la misma temp. flujo objetiva.	1 - 20	día	5

<[Cambiar Contraseña]>

La cambiar contraseña está disponible para evitar el acceso no autorizado al menú mantenimiento de personas no formadas.

Reiniciar la contraseña

Si olvida la contraseña que ha introducido, o tiene que realizar el mantenimiento de una unidad que otra persona instaló, puede reiniciar la contraseña a la predeterminada de fábrica de **0000**.

1. Desde el menú ajustes principales, desplácese hacia abajo de las funciones hasta que se marque Menú mantenimiento.
2. Pulse CONFIRMAR.
3. Se le pedirá que introduzca una contraseña.
4. Mantenga pulsados los botones F3 y F4 juntos durante 3 s.
5. Se le preguntará si desea continuar y reiniciar la contraseña al ajuste predeterminado.
6. Para reiniciar pulse el botón F3.
7. La contraseña se ha reiniciado ahora a **0000**.

<[Rearme manual]>

Si desea restablecer los ajustes de fábrica en cualquier momento debe usar la función de rearme manual. Tenga en cuenta que esto reiniciará TODAS las funciones a la configuración predeterminada de fábrica.



Pantalla de introducción de contraseña



Pantalla de verificación de contraseña

6 Puesta en servicio

■ Ejercicios pre-puesta en marcha - circuito potable/ACS

Procedimiento de llenado inicial.

Asegúrese de que todas las uniones de tubos y accesorios están bien apretados y seguros.

Abra el grifo ACS/salida más distante.

Abra lenta/gradualmente el suministro de agua de red para empezar a llenar la unidad y tuberías ACS.

Deje que el grifo más distante salga libremente y libere/purgue el aire residual de la instalación.

Cierre el grifo/salida para mantener el sistema totalmente cargado.

Nota: Cuando se ha montado una resistencia de inmersión, **NO** active la resistencia hasta que el depósito de ACS esté lleno de agua. Asimismo **NO** active ninguna resistencia de inmersión si cualquier producto químico de esterilización sigue en el depósito de ACS, ya que esto provocará un fallo prematuro de la resistencia.

Procedimiento de lavado inicial:

Active el sistema para calentar el contenido del hydrobox duo a una temperatura de aprox. 30 - 40°C.

Lave/purgue el contenido de agua para retirar cualquier residuo/impureza que resulte de los trabajos de instalación. Use la llave de desagüe para descargar con seguridad el agua calentada para purgarla a través de un tubo flexible adecuado.

Al terminar, cierre la llave de desagüe, vuelva a llenar el sistema y reanude la puesta en marcha del sistema.

7 Servicio y mantenimiento

■ Códigos de error

Código	Error	Acción
L3	Protección recalentamiento temperatura agua de circulación	Es posible que el caudal nominal esté reducido compruebe: <ul style="list-style-type: none"> • Fuga de agua • Bloqueo del filtro • Funcionamiento de la bomba de recirculación de agua (código de error puede aparecer durante el llenado del circuito primario, completar el llenado y reiniciar el código de error).
L4	Protección recalentamiento temperatura agua depósito de ACS	Compruebe la resistencia de inmersión y su contactor.
L5	Fallo termistor temperatura unidad interior (THW1, THW2, THW5A, THW5B, THW6, THW7, THW8, THW9)	Compruebe resistencia por todo el termistor.
L6	Protección congelación agua de circulación	Véase acción para L3.
L8	Error operación calefacción	Compruebe y vuelva a acoplar cualquier termistor que pueda haberse desplazado.
L9	Caudal nominal circuito primario bajo detectado por sensor de flujo o interruptor de flujo (interruptores de flujo 1, 2, 3)	Véase acción para L3. Si el sensor de flujo o el interruptor de flujo propiamente dicho no funciona, sustitúyalo. Precaución: Las válvulas de la bomba pueden estar calientes, tenga cuidado.
LA	Fallo del sensor de presión	Compruebe si está dañado el cable del sensor de presión o hay conexiones sueltas.
LB	Protección de alta presión	<ul style="list-style-type: none"> • El caudal nominal del circuito de calefacción puede estar reducido. Compruebe el circuito hidráulico. • El intercambiador de placas puede estar obstruido. Compruebe el intercambiador de placas. • Fallo de unidad exterior. Consulte el manual de servicio de la unidad exterior.
LC	Protección recalentamiento temperatura agua de circulación caldera	Compruebe si la temperatura ajustada de la caldera para la calefacción supera la restricción. (Véase el manual de los termistores "PAC-TH012HT-E") Caudal nominal del circuito de calefacción de la caldera puede estar reducido. Compruebe <ul style="list-style-type: none"> • fuga de agua, • bloqueo del filtro • funcionamiento de la bomba de recirculación de agua.
LD	Fallo termistor temperatura caldera (THWB1)	Compruebe resistencia por todo el termistor.
LE	Error operación caldera	Véase acción para L8. Compruebe el estado de la caldera.
LF	Fallo del caudalímetro	Compruebe si está dañado el cable del sensor de flujo o hay conexiones sueltas.
LH	Protección congelación agua de circulación caldera	Caudal nominal del circuito de calefacción de la caldera puede estar reducido. Compruebe <ul style="list-style-type: none"> • fuga de agua • bloqueo del filtro • funcionamiento de la bomba de recirculación de agua.
LJ	Error de funcionamiento ACS (tipo de placa externa HEX)	<ul style="list-style-type: none"> • Compruebe si se ha desconectado el termistor inferior de temp. de agua del depósito de ACS (THW5B). • El caudal nominal del circuito sanitario puede estar reducido. • Compruebe el funcionamiento de la bomba de recirculación de agua (primaria/sanitaria).
LL	Errores de ajuste de los interruptores DIP en la placa de control FTC	Para la operación de caldera, compruebe que el DIP SW1-1 está ajustado a ENCENDIDO (con caldera) y el DIP SW2-6 está ajustado a ENCENDIDO (con tanque mezclador). Para el control de temperatura de la zona doble, compruebe que el DIP SW2-7 está ajustado a ENCENDIDO (zona doble) y el DIP SW2-6 está ajustado a ENCENDIDO (con tanque mezclador).
LP	Fuera del rango de velocidad de flujo del agua para la unidad de bomba de calor exterior	Compruebe la tabla de instalación 4.3.1 Compruebe los ajustes del mando principal (Menú mantenimiento / Rango vel. caudal bomba calor) Véase acción para L3.
P1	Fallo del termistor (temp. sala) (TH1)	Compruebe resistencia por todo el termistor.
P2	Fallo del termistor (temp. líquido ref.) (TH2)	Compruebe resistencia por todo el termistor.
P6	Protección anticongelante del intercambiador de placas	Véase acción para L3. Compruebe la cantidad correcta de refrigerante.
J0	Fallo de comunicación entre FTC y el receptor inalámbrico	Compruebe si está dañado el cable de conexión o hay conexiones sueltas.
J1 - J8	Fallo de comunicación entre receptor inalámbrico y control remoto inalámbrico	Compruebe que la batería del control remoto inalámbrico no esté agotada. Compruebe el enlace entre el receptor inalámbrico y el control remoto inalámbrico. Pruebe la comunicación inalámbrica. (Véase el manual del sistema inalámbrico)
E0 - E5	Fallo de comunicación entre el mando principal y FTC	Compruebe si está dañado el cable de conexión o hay conexiones sueltas.
E6 - EF	Fallo de comunicación entre FTC y la unidad exterior	Compruebe que la unidad exterior no se haya apagado. Compruebe si está dañado el cable de conexión o hay conexiones sueltas. Consulte el manual de servicio de la unidad exterior.
E9	Unidad exterior no recibe señal de la unidad interior.	Compruebe que ambas unidades están encendidas. Compruebe si está dañado el cable de conexión o hay conexiones sueltas. Consulte el manual de servicio de la unidad exterior.
EE	Error de combinación entre FTC y la unidad exterior	Compruebe la combinación entre FTC y la unidad exterior.
U*, F*	Fallo de unidad exterior	Consulte el manual de servicio de la unidad exterior.
A*	Error de comunicación M-NET	Consulte el manual de servicio de la unidad exterior.

Nota: Para cancelar los códigos de error, apague el sistema (pulse el botón F4 (RESET) en el mando principal).

7 Servicio y mantenimiento

■ Mantenimiento anual

Es fundamental que una persona cualificada realice el mantenimiento del hydrobox duo al menos una vez al año. Cualquier pieza necesaria debe ser adquirida a Mitsubishi Electric. NUNCA derive los dispositivos de seguridad ni haga funcionar la unidad sin que sea completamente operativa. Para más información, consulte el manual de servicio.

Nota

- En los dos primeros meses de la instalación, retire y limpie el filtro del hydrobox duo más cualquier elemento filtrante adicional que se acople de manera externa al hydrobox duo. Esto es especialmente importante cuando se monta en un sistema de tuberías antiguo/que ya existe.
- La VSP y la válvula T y P (N.º 8, 20 y 21 en la Figura 3.1) deben comprobarse anualmente girando la llave de forma manual para que se descargue el contenido y, de esta forma, se limpie el asiento del cierre.

Además del servicio anual, es necesario sustituir o inspeccionar algunas piezas después de un determinado período de funcionamiento del sistema. Véanse las tablas de abajo para obtener instrucciones detalladas. La sustitución e inspección de las piezas debe ser llevada a cabo siempre por una persona competente con la formación y las cualificaciones necesarias.

Piezas que requieren sustitución regular

Piezas	Sustituir cada	Posibles fallos
Válvula de seguridad de presión (VSP) Manómetro Grupo de control de entrada (GCE)*	6 años	Fuga de agua

* PIEZAS OPCIONALES para RU

Piezas que requieren inspección regular

Piezas	Comprobar cada	Posibles fallos
Válvula de seguridad de presión (3 bar) Válvula de seguridad de temperatura y presión	1 año (girando la llave manualmente)	La VSP quedaría fija y el vaso de expansión explotaría
Resistencia de inmersión	2 años	Pérdida a tierra que provoca que se active el interruptor diferencial (resistencia siempre está APAGADA)
Bomba de recirculación de agua (Circuito primario)	20.000 h (3 años)	Fallo de bomba de recirculación de agua

Piezas que NO se deben reutilizar cuando se reparan

* Junta tórica

* Junta

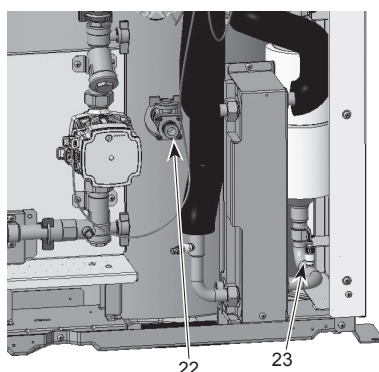
Nota

- Sustituya siempre la junta para la bomba por una nueva en cada mantenimiento regular (cada 20.000 h de uso o cada 3 años).

<Desagüe del hydrobox duo y su circuito de calefacción sanitario (local)>

ADVERTENCIA: EL AGUA DESAGUADA PUEDE ESTAR MUY CALIENTE

1. Antes de intentar desaguar el hydrobox duo, aíslalo del suministro eléctrico para evitar que se quemen las resistencias de inmersión y de apoyo.
2. Aísle el agua fría suministrada al depósito de ACS.
3. Abra un grifo de agua caliente para iniciar el desaguado sin crear vacío.
4. Acople un tubo a las llaves de desagüe del depósito de ACS (N.º 22 y 23 en la Figura 7.1). El tubo debe poder resistir el calor ya que el agua desaguada puede estar muy caliente. El tubo debe desaguar a un lugar más bajo que la parte inferior del depósito de ACS para fomentar el sifonamiento. Comience el desaguado abriendo la llave de desagüe.
5. Cuando el depósito de ACS esté vacío cierre la llave de desagüe y el grifo de agua caliente.
6. Para el circuito primario, acople un tubo a las llaves de desagüe del circuito hidrónico (N.º 6 en la Figura 3.1). El tubo debe poder resistir el calor ya que el agua desaguada puede estar muy caliente. El tubo debe desaguar a un lugar más bajo que la llave de desagüe para fomentar el sifonamiento. Abra las válvulas de la bomba y las válvulas de los filtros.
7. Aún queda agua en el filtro después de haber desaguado el hydrobox duo.
Desagüe el filtro quitando la cubierta del filtro.



<Figura 7.1>

7 Servicio y mantenimiento

Formularios de los ingenieros

Si se deben cambiar los ajustes predeterminados, introduzca y registre el nuevo ajuste en la columna "Ajuste de campo". Esto facilitará el reajuste en el futuro si se cambia el uso del sistema o se debe sustituir la placa de circuitos.

Hoja de registro de ajustes de Puesta en servicio/campo

Pantalla mando principal		Parámetros	Ajustes predeter- minados	Ajuste de campo	Notas	
Principal	Temp. calefacción sala zona 1	10°C - 30°C	20°C			
	Temp. calefacción sala zona 2 *12	10°C - 30°C	20°C			
	Flujo temp. calefacción zona 1	20°C - 60°C	45°C			
	Flujo temp. calefacción zona 2 *1	20°C - 60°C	35°C			
	Flujo Temp.Refrigeración zona 1 *13	5°C - 25°C	15°C			
	Flujo Temp.Refrigeración zona 2 *13	5°C - 25°C	20°C			
	Curva de compensación calefacción zona 1	-9°C - + 9°C	0°C			
	Curva de compensación calefacción zona 2 *1	-9°C - + 9°C	0°C			
Opción	Modo vacaciones	Activo/No activo/Ajustar tiempo	—			
	Operación ACS forzada	ON/OFF	—			
	ACS	ON/OFF/Temporizador	ON			
	Calef./Refrig. *13	ON/OFF/Temporizador	ON			
Ajuste	ACS	Modo de operación	Normal/Eco *15	Normal		
		Temp.Máx.ACS	40°C - 60°C *2	50°C		
		Caída temp.ACS	5°C - 30°C	10°C		
		Tiempo máx. trabajo ACS	30 - 120 min	60 min		
		Modo restricciones ACS	30 - 120 min	30 min		
		Recarga ACS	Grande/Normal	Normal		
	Prevención legionela	Activo	Si/No	Si		
		Temp. ACS	60°C - 70°C *2	65°C		
		Frecuencia ciclo Legionela	1 - 30 días	15 días		
		Tiempo/Hora Inicio	00:00 - 23:00	03:00		
Calef./Refrig. *13	Modo de operación zona 1	Temp.Calefacción Sala/ Flujo Temp.Calefacción/ Curva de compensación calefacción/ Flujo Temp.Refrigeración	Temp sala			
		Temp. calefacción Sala/ Flujo Temp.Calefacción/ Curva de compensación calefacción/ Flujo Temp.Refrigeración	Curva de compen- sación			
	Curva de com- pensación	Punto ajustado temp. flujo alto	Temp. ambiente exterior zona 1	-30°C - +33°C *3	-15°C	
			Temp. flujo zona 1	20°C - 60°C	50°C	
		Punto ajustado temp. flujo bajo	Temp. ambiente exterior zona 2 *1	-30°C - +33°C *3	-15°C	
			Temp. flujo zona 2 *1	20°C - 60°C	40°C	
Ajustar	Temp. ambiente exterior zona 1	-28°C - +35°C *4	35°C			
	Temp. flujo zona 2 *1	20°C - 60°C	25°C			
Vacaciones	ACS	Activo/No activo	No activo			
	Calef./Refrig. *13	Activo/No activo	Activo			
	Temp. calefacción sala zona 1	10°C - 30°C	15°C			
	Temp. calefacción sala zona 2 *12	10°C - 30°C	15°C			
	Flujo temp. calefacción zona 1	20°C - 60°C	35°C			
	Flujo temp. calefacción zona 2 *1	20°C - 60°C	25°C			
	Flujo Temp.Refrigeración zona 1 *13	5°C - 25°C	25°C			
	Flujo Temp.Refrigeración zona 2 *13	5°C - 25°C	25°C			
	Ajustes iniciales	Idioma	EN/FR/DE/SV/ES/IT/DA/NL/FI/NO/PT/BG/PL/CZ/RU/TR/SL	EN		
		°C/°F	°C/°F	°C		
Hora verano		ON/OFF	OFF			
Visualización Temp.		Sala/Depósito de ACS/Sala y depósito ACS/OFF	OFF			
Visualización hora		hh:mm/HH:mm AM/AM hh:mm	hh:mm			
Selección config. sonda para Zona 1		Sonda TH1/Ctrl.ppal/Ctrl. sala 1-8/ "Hora/zona"	TH1			
Selección config. sonda para Zona 2 *1		Sonda TH1/Ctrl.ppal/Ctrl. sala 1-8/ "Hora/zona"	TH1			
Menú mantenimiento	Ajuste de Sondas	THW1	-10°C - +10°C	0°C		
		THW2	-10°C - +10°C	0°C		
		THW5A	-10°C - +10°C	0°C		
		THW5B	-10°C - +10°C	0°C		
		THW6	-10°C - +10°C	0°C		
		THW7	-10°C - +10°C	0°C		
		THW8	-10°C - +10°C	0°C		
		THW9	-10°C - +10°C	0°C		
		THW10	-10°C - +10°C	0°C		
		THWB1	-10°C - +10°C	0°C		
	Configuración Auxiliar	Config.Eco para bomba	ON/OFF *6 Retraso (3 - 60 min)	ON 10 min		
		Resistencia eléctrica (Calefacción)	Calefacción: ON (usada)/OFF (no usada) Temporizador retraso resistencia eléctrica (5 - 180 min)	ON 30 min		
		Resistencia eléctrica (ACS)	Resistencia de apoyo ACS: ON (usada)/OFF (no usada) Resistencia de inmersión ACS: ON (usada)/OFF (no usada) Temporizador retraso resistencia eléctrica (15 - 30 min)	ON ON 15 min		
		Ctrl.válvula mezcla- dora	Tiempo funcionamiento (10 - 240 segundos) Intervalo (1 - 30 min)	120 segundos 2 min		
		Caudalímetro *17	Mínimo (0 - 100 L/min) Máximo (0 - 100 L/min)	5 L/min 100 L/min		
Salida analógica	Intervalo (1 - 30 min)	5 min				
	Prioridad (Normal/Alta)	Normal				

(Continúa en la siguiente página).

7 Servicio y mantenimiento

Formularios de los ingenieros

Hoja de registro de ajustes de Puesta en servicio/campo (continuación de página anterior)

Pantalla mando principal				Parámetros	Ajustes predeterminados	Ajuste de campo	Notas	
Ajuste	Menú mantenimiento	Velocidad bomba		ACS	Velocidad bomba (1 - 5)	5		
				Calef./Refrig.	Velocidad bomba (1 - 5)	5		
		Selección fuente de calor			Normal/Resist./Caldera/Híbrido *7	Normal		
		Ajustes bomba calor		Rango vel. caudal bomba calor	Mínimo (0 - 100 L/min)	5 L/min		
					Máximo (0 - 100 L/min)	100 L/min		
				Modo silencioso	Día (Lun - Dom)	—		
					Hora	0:00 - 23:45		
					Nivel silencio (Normal/Nivel 1/Nivel 2)	Normal		
		Ajustes de funcionamiento	Modo calefacción *8	Rango Flujo Temp. *10	Temp. Mínima (20 - 45°C)	30°C		
					Temp. Máxima (35 - 60°C)	50°C		
					Control temp. sala *14	Modo (Normal/Potente)	Normal	
				Ajuste dif. termo B/C	Intervalo (10 - 60 min)	10 min		
					ON/OFF *6	ON		
					Límite inferior (-9 - -1°C)	-5°C		
				Inicio función congelación *11		Temp. ambiente exterior (3 - 20°C) / **	5°C	
				Funcionamiento simultáneo (ACS/Calef.)		ON/OFF *6	OFF	
						Temp. ambiente exterior (-30 - +10°C) *3	-15°C	
				Función Clima Frío		ON/OFF *6	OFF	
				Temp. ambiente exterior (-30 - -10°C) *3	-15°C			
		Operación caldera		Config. híbrido	Temp. ambiente exterior (-30 - +10°C) *3	-15°C		
					Modo prioridad (Ambiente/Coste/CO ₂) *16	Ambiente		
					Aumento temp. ambiente exterior (+1 - 5°C)	+3°C		
				Config. inteligente	Precio energía *9	Electricidad (0,001 - 999 */kWh)	0,5 */kWh	
						Caldera (0,001 - 999 */kWh)	0,5 */kWh	
					Emisión CO ₂	Electricidad (0,001 - 999 kg -CO ₂ /kWh)	0,5 kg -CO ₂ /kWh	
						Caldera (0,001 - 999 kg -CO ₂ /kWh)	0,5 kg -CO ₂ /kWh	
				Fuente calor	Capac. bomba calor (1 - 40 kW)	11,2 kW		
					Eficiencia caldera (25 - 150%)	80%		
					Capac. resistencia apoyo1 (0 - 30 kW)	2 kW		
		Capac. resistencia apoyo2 (0 - 30 kW)	4 kW					
		"Smart Grid" Preparado	ACS	ON/OFF	OFF			
				Temp. consigna (+1- +20°C) / -- (No activo)	--			
			Calefacción	ON/OFF	OFF			
				Temp. consigna	Recomendación de encendido (20 - 60°C)	50°C		
					Comando de encendido (20 - 60°C)	55°C		
			Refrigeración	ON/OFF	OFF			
				Temp. consigna	Recomendación de encendido (5 - 25°C)	15°C		
					Comando de encendido (5 - 25°C)	10°C		
			Ciclos bomba	Calef. (ON/OFF)	ON			
				Refrig. (ON/OFF)	ON			
				Intervalo (10-120 min)	10 min			
		Función secar suelo		ON/OFF *6	OFF			
				Temp. consigna	Inicio y fin (20 - 60°C)	30°C		
					Temp. máx. (20 - 60°C)	45°C		
					Periodo temp. máx. (1 - 20 días)	5 días		
				Temp. flujo (Aumento)	Paso aumento temp. (+1 - +10°C)	+5°C		
					Intervalo aumento (1 - 7 días)	2 días		
		Temp. flujo (Descenso)	Paso reducción temp. (-1 - -10°C)	-5°C				
			Reducir intervalo (1 - 7 días)	2 días				
Modo Verano		ON/OFF	OFF					
		Temp. ambiente exterior	Calef. ON (4-19°C)	10°C				
			Calef. OFF (5-20°C)	15°C				
		Tiempo de evaluación	Calef. ON (1-48 horas)	6 horas				
			Calef. OFF (1-48 horas)	6 horas				
		Calefacción forzada ON (-30 - 10°C)	5°C					
Control flujo de agua		ON/OFF	OFF					

(Continúa en la siguiente página).

7 Servicio y mantenimiento

Formularios de los ingenieros

Hoja de registro de ajustes de Puesta en servicio/campo (continuación de página anterior)

Pantalla mando principal				Parámetros	Ajustes predeterminados	Ajuste de campo	Notas		
Menú mantenimiento	Ajustes de monitorización de energía	Capacidad resistencia eléctrica	Capac.resistencia apoyo1	0 - 30 kW	2 kW				
			Capac.resistencia apoyo2	0 - 30 kW	4 kW				
			Capacidad resistencia de inmersión	0 - 30 kW	0 kW				
			Salida analógica	0 - 30 kW	0 kW				
		Ajuste energía producida			-50 - +50%	0%			
		Entrada bomba agua	Bomba 1	0 - 200 W o ***(bomba instalada en fábrica)		***			
			Bomba 2	0 - 200 W		0 W			
			Bomba 3	0 - 200 W		0 W			
			Bomba 4	0 - 200 W		72 W			
		Medidor energía eléctrica			0,1/1/10/100/1000 pulso/kWh	1 pulso/kWh			
		Calorímetro			0,1/1/10/100/1000 pulso/kWh	1 pulso/kWh			
		Config.en-trada ext.	Control demanda (IN4)			Fuente calor OFF/operación caldera	Operación caldera		
			Termostato exterior (IN5)			Operación resistencia/operación caldera	Operación caldera		
		Salida termo ON			Zona 1/Zona 2/Zona 1 y 2	Zona 1 y 2			

*1 Los ajustes relacionados con Zona 2 se pueden cambiar solo cuando el control de temperatura Zona 2 está habilitado (cuando DIP SW2-6 y SW2-7 están en ON).

*2 Para el modelo sin las dos resistencias de apoyo y de inmersión, es posible que no alcance la temperatura ajustada dependiendo de la temperatura ambiente exterior.

*3 El límite inferior es -15°C dependiendo de la unidad exterior conectada.

*4 El límite inferior es -13°C dependiendo de la unidad exterior conectada.

*5 El límite inferior es -14°C dependiendo de la unidad exterior conectada.

*6 On: la función está activa, Off: la función está inactiva.

*7 Cuando DIP SW1-1 está ajustado a OFF "SIN caldera" o SW2-6 está ajustado a OFF "SIN tanque mezclador", no se pueden seleccionar ni la caldera ni el híbrido.

*8 Válido solo cuando opera en el modo de control de temp. sala.

9 "" de "*/kWh" representa la unidad monetaria (p. ej. € o £ o similar)

*10 Válido solo cuando opera en temperatura sala calefacción.

*11 Si se elige el asterisco (**) se desactivará el Inicio función congelación. (esto es, riesgo de congelación de agua primaria)

*12 La configuración relacionada con zona 2 se puede cambiar solo cuando el control de temperatura de zona 2 o el control ON/OFF válvula zona 2 está activa.

*13 Los ajustes del modo de refrigeración solo están disponibles para el modelo ER.

*14 Cuando DIP SW5-2 está ajustado a OFF, la función está activada.

*15 Cuando el hydrobox duo está conectado con una unidad exterior PUMY-P, el modo se fija en "Normal".

*16 Cuando el hydrobox duo está conectado con una unidad exterior PUMY-P, el modo se fija en "T.ext".

*17 No cambie el ajuste ya que se ha ajustado de acuerdo a la especificación del caudalímetro acoplado al hydrobox duo.

1. Avvisi di sicurezza..... 2
 2. Introduzione..... 3
 3. Dati tecnici 4
 4. Installazione..... 10
 4.1 Collocazione..... 10
 4.2 Qualità dell'acqua e preparazione dell'impianto..... 11
 4.3 Impianto idraulico..... 11
 4.4 Collegamento elettrico 14
 5. Configurazione dell'impianto 16
 5.1 Funzioni dei dip switch 16
 5.2 Collegamento di ingressi/uscite..... 17
 5.3 Cablaggio per il controllo della temperatura a 2 zone 18
 5.4 Funzionamento solo unità interna
 (durante lavoro di installazione)..... 19
 5.5 Smart grid ready 19
 5.6 Utilizzo della scheda di memoria SD..... 19
 5.7 Regolatore principale 20
 6. Avviamento..... 26
 7. Servizio e manutenzione 27



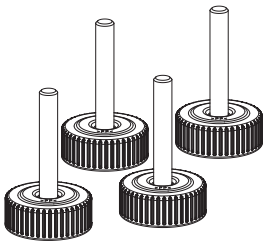
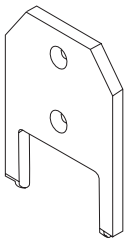
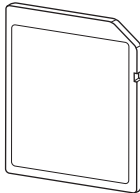
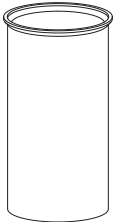
<http://www.mitsubishielectric.com/ldg/ibim/>

Per maggiori informazioni, non presenti in questo manuale, visitare il sito web riportato in alto, per scaricare i manuali, selezionare il nome del modello e poi scegliere la lingua.

Contenuto del manuale del sito web

- Controllo dell'energia
- Componenti (dettaglio)
- Schema del circuito idraulico (170 L)
- Termostato ambiente
- Riempimento dell'impianto
- Impianto a 2 zone semplice
- Alimentazione elettrica indipendente
- Smart grid ready
- Opzioni di comando remoto
- Menu servizio tecnico (impostazione speciale)
- Informazioni supplementari

it

Accessori (inclusi)			
Piedini regolabili	Utensile per borchie del riscaldatore a immersione Solo modello EHPT20X-MHEDW	Scheda di memoria SD	Rivestimento in rame per tubazione ACS
			
4	1	1	2

Abbreviazioni e glossario

N.	Abbreviazioni/Termine	Descrizione
1	Modo Curva di compensazione	Riscaldamento che prevede una compensazione della temperatura esterna
2	COP	Coefficiente di prestazioni, l'efficienza della pompa di calore
3	Hydrotank	Serbatoio ACS interno senza scarico e parti idrauliche del componente
4	Modo ACS	Modo di produzione dell'acqua calda sanitaria per docce, lavandini ecc.
5	Temperatura dell'acqua	Temperatura a cui l'acqua viene immessa nel circuito primario
6	Funzione antigelo	Routine di controllo del riscaldamento volta a evitare il congelamento delle tubazioni
7	FTC	Regolatore della temperatura dell'acqua, la scheda elettronica responsabile del controllo dell'impianto
8	Modo riscaldamento	Riscaldamento tramite radiatori o a pavimento
9	Legionella	Batterio potenzialmente presente nell'impianto idraulico, nelle docce e nei serbatoi di acqua che può causare legionellosi
10	Modo PL	Modo di prevenzione della legionella, una funzione presente negli impianti dotati di serbatoi di acqua volta evitare il proliferare del batterio della legionella
11	Modello monoblocco	Scambiatore a piastre (acqua-refrigerante) nell'unità della pompa di calore esterna
12	VSP	Valvola di sicurezza per la pressione
13	Modello split	Scambiatore a piastre (acqua-refrigerante) nell'unità interna
14	Temperatura di ritorno	Temperatura a cui l'acqua viene erogata dal circuito primario
15	VTR	Valvola termostatica per radiatore: valvola posta all'ingresso o all'uscita del pannello del radiatore per il controllo della produzione di calore
16	Modo raffreddamento	Raffreddamento tramite convettori ventilati o a pavimento

1 Avvisi di sicurezza

Leggere attentamente le precauzioni seguenti.





⚠ AVVERTENZA:
Precauzioni da osservare per evitare lesioni o morte.

⚠ ATTENZIONE:
Precauzioni da osservare per evitare danni all'unità.

Il presente manuale di installazione, unitamente al manuale utente, dopo l'installazione deve accompagnare il prodotto per le consultazioni future. Mitsubishi Electric non è responsabile per i guasti di componenti non forniti in dotazione.

- Assicurarsi di eseguire la manutenzione periodica.
- Assicurarsi di seguire le normative locali.
- Assicurarsi di seguire le istruzioni fornite nel presente manuale.

SIGNIFICATO DEI SIMBOLI VISUALIZZATI SULL'UNITÀ

	AVVERTENZA (Rischio di incendio)	Questo marchio è riservato unicamente al refrigerante R32. Il tipo di refrigerante è scritto sulla targhetta dell'unità esterna. Nel caso in cui il tipo di refrigerante sia R32, questa unità utilizza un refrigerante infiammabile. Qualora dovesse fuoriuscire o entrare in contatto con il fuoco o con una fonte di calore, il refrigerante darà origine a gas nocivo e rischio di incendio.
		Prima dell'utilizzo, leggere attentamente le ISTRUZIONI DI FUNZIONAMENTO.
		Prima dell'utilizzo, il personale di assistenza deve leggere le ISTRUZIONI DI FUNZIONAMENTO e il MANUALE DI INSTALLAZIONE.
		È possibile trovare ulteriori informazioni nelle ISTRUZIONI DI FUNZIONAMENTO, nel MANUALE DI INSTALLAZIONE e documenti simili.

⚠ ⚠ AVVERTENZA

Componenti meccanici

- L'hydrotank e l'unità esterna non devono essere installati, smontati, spostati, modificati o riparati dall'utente, che deve invece rivolgersi a un installatore o a un tecnico autorizzati. L'installazione non corretta o la modifica dell'unità dopo l'installazione possono dare luogo a perdite di acqua, scosse elettriche o incendi.
- L'unità esterna deve essere fissata stabilmente su una superficie orizzontale consistente in grado di sopportarne il peso.
- L'hydrotank deve essere posizionato su una superficie orizzontale consistente in grado di sopportarne il peso quando il dispositivo è carico, per evitare rumore o vibrazione eccessivi.
- Non collocare mobili o elettrodomestici sotto l'unità esterna o l'hydrotank.
- Le tubazioni di mandata dai dispositivi di emergenza dell'hydrotank devono essere installate secondo la normativa locale.
- Utilizzare esclusivamente accessori o parti di ricambio approvati da Mitsubishi Electric e rivolgersi a un tecnico qualificato per la relativa installazione.

Componenti elettrici

- Tutti gli interventi elettrici devono essere eseguiti da un tecnico qualificato secondo le normative locali e le istruzioni fornite nel presente manuale.
- Le unità devono essere alimentate da una fonte di alimentazione elettrica dedicata; è inoltre necessario utilizzare la tensione corretta e gli interruttori differenziali di circuito idonei.
- I cablaggi devono essere realizzati in conformità alle normative nazionali in materia. I collegamenti devono essere eseguiti in sicurezza e non deve essere presente tensione ai terminali.
- Collegare a terra l'unità nel modo corretto.

Generalità

- Tenere bambini e animali domestici lontani dall'hydrotank e dall'unità esterna.
- Non utilizzare direttamente l'acqua calda prodotta dalla pompa di calore per bere o cucinare. Ciò può causare patologie all'utente.
- Non salire sulle unità.
- Non toccare gli interruttori con le mani bagnate.
- Sull'hydrotank e sull'unità esterna devono essere eseguiti controlli di manutenzione annuali da parte di personale qualificato.
- Non collocare contenitori pieni di liquido sull'hydrotank. In caso di perdite o fuoriuscite sull'hydrotank potrebbero verificarsi danni all'unità e/o incendi.
- Non collocare oggetti pesanti sull'hydrotank.
- Durante l'installazione, lo spostamento o gli interventi di servizio sull'hydrotank, caricare le linee del refrigerante utilizzando esclusivamente la pompa di calore specificata. Non miscelare con alcun altro refrigerante e non consentire la permanenza di aria nelle linee. In caso di miscelazione di aria con il refrigerante la pressione nella linea del refrigerante può aumentare in modo anomalo, causando possibili esplosioni e altri pericoli.
- L'utilizzo di qualsiasi refrigerante diverso da quello specificato per l'impianto causa guasti meccanici o malfunzionamenti dell'impianto, oppure guasti delle unità. Nei casi più gravi ciò potrebbe costituire un grave impedimento nel garantire la sicurezza del prodotto.
- In modalità riscaldamento, per evitare che gli emettitori di calore siano danneggiati dall'acqua eccessivamente calda, impostare la temperatura target dell'acqua su un valore di almeno 2°C al di sotto della temperatura massima consentita di tutti gli emettitori di calore. Per la zona 2 impostare la temperatura target dell'acqua su un valore di almeno 5°C al di sotto della temperatura massima consentita di tutti gli emettitori di calore nel circuito della zona 2.
- Non installare l'unità in ubicazioni in cui si possa verificare la fuoriuscita, la produzione, il flusso o l'accumulo di gas combustibili. Qualora del gas combustibile si accumuli intorno all'unità, potrebbe derivarne un incendio o un'esplosione.
- Non utilizzare prodotti per la pulizia o per accelerare il processo di scongelamento diversi da quelli consigliati dal costruttore.
- L'apparecchio va posizionato in un ambiente privo di fonti di ignizione (ad esempio: fiamme libere, apparecchi a gas o stufe elettriche in funzione).
- Non forare né bruciare.
- I refrigeranti possono emanare odore.
- Proteggere la tubazione da danni materiali.
- Ridurre al minimo l'installazione di tubazioni.
- Rispettare le norme di conformità sul gas naturale.
- Non ostruire i fori di ventilazione necessari.
- In caso di brasatura dei tubi del refrigerante, non utilizzare leghe di saldatura a bassa temperatura.

it

1 Avvisi di sicurezza

ATTENZIONE

Utilizzare acqua pulita conforme agli standard di qualità locali per il circuito primario.
L'unità esterna deve essere installata in un'area dotata di ventilazione sufficiente secondo gli schemi forniti nel manuale di installazione dell'unità esterna.
L'hydrotank deve essere collocato al chiuso per ridurre al minimo la dispersione di calore.
La lunghezza del percorso delle tubazioni idrauliche del circuito primario tra l'unità interna e l'unità esterna deve essere mantenuta al minimo per ridurre la dispersione di calore.
Assicurarsi che la condensa prodotta dall'unità esterna venga convogliata mediante tubi lontano dalla base per evitare pozze di acqua.
Rimuovere quanta più aria possibile dal circuito primario e dal circuito dell'ACS.
Le perdite di refrigerante possono causare soffocamento. Assicurare una ventilazione conforme alla norma EN 378-1.
Assicurarsi di avvolgere il materiale isolante sulle tubazioni. Il contatto diretto con le tubazioni nude può causare ustioni o congelamento.
Non mettere in bocca le batterie per alcun motivo per evitarne l'ingestione accidentale.
L'ingestione delle batterie può causare soffocamento e/o avvelenamento.
Non trasportare l'hydrotank se all'interno del serbatoio ACS o della serpentina è presente dell'acqua. Ciò può causare danni all'unità.
Qualora sia necessario interrompere l'alimentazione dell'hydrotank o spegnere l'impianto per un periodo prolungato, è necessario scaricare l'acqua.
In caso di inutilizzo prolungato, prima della rimessa in funzione è necessario sciacquare accuratamente il serbatoio ACS con acqua potabile.
Devono essere previste misure preventive contro il colpo di ariete, quali l'installazione di un ammortizzatore del colpo di ariete sul circuito idraulico primario, come indicato dal fabbricante.

Per la gestione del refrigerante, consultare il manuale di installazione dell'unità esterna.

2 Introduzione

Lo scopo del presente manuale di installazione consiste nel fornire istruzioni a personale competente per l'installazione e l'avviamento dell'impianto hydrotank in sicurezza ed efficienza. Il manuale è destinato a idraulici e/o frigoristi competenti

che abbiano frequentato e superato con esito positivo la necessaria formazione sui prodotti Mitsubishi Electric e dispongano di qualifiche idonee per l'installazione di unità chiuse per la produzione di acqua calda specifiche per il paese in cui operano.

3 Dati tecnici

■ Specifiche tecniche

Nome modello	EHST17D-VM2D	ERST17D-VM2D	EHST20D-MED	EHST20D-VM2D	EHST20D-VM6D	EHST20D-VM9D	EHST20D-VM9D	EHST20D-VM9D	EHST20D-VM9D	ERST20D-VM2D	EHST30D-MED	EHST30D-VM6D	EHST30D-VM9D	EHST30D-TM9ED	ERST30D-VM2ED
Volume nominale acqua calda sanitaria	170 L			200 L											
Dimensioni complessive unità (alt. x larg. x prof.)	1400 x 595 x 680 mm			1600 x 595 x 680 mm											
Peso (a vuoto)	93 kg	104 kg	98 kg	106 kg	105 kg	101 kg	106 kg	101 kg	106 kg	104 kg	113 kg	115 kg	116 kg	114 kg	
Peso (carico)	269 kg	310 kg	304 kg	314 kg	311 kg	309 kg	314 kg	309 kg	314 kg	310 kg	420 kg	422 kg	425 kg	421 kg	
Volume d'acqua del circuito di riscaldamento nell'unità *1	3-4 L	3-5 L	3-5 L	3-5 L	12 L	3-4 L	5-8 L	5-8 L	5-8 L	3-5 L	3-9 L	3-9 L	6,2 L	3-9 L	
Volume nominale	12 L									12 L					
Vaso di espansione chiuso/riscald primario)	0,1 MPa			0,1 MPa						0,1 MPa					
Pressione di controllo															
Circuito primario															
Valvola di sicurezza per la pressione															
Flussometro															
Riscald. booster	90°C			90°C											
Dispositivo di sicurezza	121°C			121°C											
Serbatoio ACS															
Termostato di controllo															
Termostato con reset manuale IH															
Temperatura / Valvola di sicurezza per la pressione															
Acqua															
Circuito primario															
Circuito ACS															
Liquido															
Gas															
Temperatura ambiente															
Temperatura dell'acqua															
Temperatura ambiente															
Temperatura dell'acqua															
Raff.	5 - 25°C			5 - 25°C											5 - 25°C
Ambiente															
Temperatura esterna															
Riscald Raff.		*3								*3					*3
Temperatura massima consentita dell'acqua calda	70°C		*4	70°C											70°C
Profilo di carico dichiarato					L										XL
Classe di efficienza energetica resist. acqua					A+										A - A+
Scheda di controllo (Include 4 pompe)															
Alimentazione (fase, tensione, frequenza)															
Ingresso															
Corrente															
Interruttore differenziale															
Alimentazione (fase, tensione, frequenza)	~N, 230 V, 50 Hz			3-, 400 V, 50 Hz						~N, 230 V, 50 Hz			3-, 400 V, 50 Hz		~N, 230 V, 50 Hz
Capacità	2 kW			2 kW						2 kW			2 kW		2 kW
Corrente	9 A			9 A						9 A			9 A		9 A
Interruttore differenziale	16 A			16 A						16 A			16 A		16 A
Alimentazione (fase, tensione, frequenza)															
Capacità															
Corrente															
Interruttore differenziale															
Livello di potenza sonora (PWL)															41 dB(A)

<Tabella 3.1>

*1 I volumi dell'acqua del circuito sanitario, del circuito primario dell'ACS (dalla valvola a 3 vie al punto di confluenza con il circuito di riscaldamento), delle tubazioni che vanno al vaso di espansione e del vaso di espansione stesso non sono inclusi in questo valore.
 *2 L'ambiente deve essere protetto dal gelo.
 *3 Vedere tabella spec. unità esterna (min. 10°C). Il modo raffreddamento non è disponibile in condizioni di bassa temperatura esterna. In caso di utilizzo dell'impianto in modo raffreddamento a basse temperature ambiente (10°C o inferiori), esiste il rischio di danni allo scambiatore a piastre dovuti all'acqua congelata.
 *4 Per il modello senza riscaldatore booster e riscaldatore a immersione, la temperatura massima di acqua calda consentita è [Massima dell'acqua in uscita dall'unità esterna -3°C]. Per la massima dell'acqua in uscita dell'unità esterna, consultare il data book dell'unità esterna.
 *5 Non installare riscaldatori a immersione senza fusibile termico. Per una sostituzione diretta, utilizzare solo parti di ricambio Mitsubishi Electric.

3 Dati tecnici

Specifiche tecniche

Nome modello	EHST20C-MED	EHST20C-VM2D	EHST20C-VM6D	EHST20C-VM9D	EHST20C-VM9ED	EHST20C-TM9D	ERST20C-VM2D	EHST30C-MED	EHST30C-VM6D	EHST30C-VM9ED	EHST30C-TM9ED	ERST30C-VM2ED	EHT17X-VM6D	EHT17X-VM9D	ERPT17X-VM2D	
Volume nominale acqua calda sanitaria	200 L															
Dimensioni complessive unità (alt. x larg. x prof.)	1600 x 595 x 680 mm															
Peso (a vuoto)	106 kg	113 kg	114 kg	115 kg	109 kg	115 kg	113 kg	118 kg	120 kg	121 kg	121 kg	120 kg	85 kg	86 kg	87 kg	86 kg
Peso (carico)	314 kg	320 kg	321 kg	324 kg	319 kg	324 kg	320 kg	426 kg	422 kg	431 kg	431 kg	428 kg	261 kg	262 kg	265 kg	261 kg
Volume d'acqua del circuito di riscaldamento nell'unità *1	4,6 L	4,6 L	6,9 L	6,9 L	6,9 L	6,9 L	4,6 L	5,0 L	5,0 L	7,3 L	7,3 L	5,0 L	3,2 L	3,2 L	5,5 L	3,2 L
Vaso di espansione chiuso/riscald. primario	—	12 L	—	—	—	12 L	—	—	—	—	—	—	12 L	—	—	—
Pressione di carica	—	0,1 MPa	—	—	—	0,1 MPa	—	—	—	—	—	—	0,1 MPa	—	—	—
Termostato di controllo	1 - 80°C															
Circuito primario	Valvola di sicurezza per la pressione															
Flussometro	Pontata min. 5,0 L/min. (Consultare la tabella 4.3.1 riguardo l'intervallo di pontata dell'acqua)															
Riscald. booster	—	—	90°C	—	—	90°C	—	—	—	—	—	90°C	—	—	—	—
Fusibile termico BH	—	—	121°C	—	—	121°C	—	—	—	—	—	121°C	—	—	—	—
Termostato di controllo	75°C															
Serbiatoio ACS	Termostato con reset manuale IH															
Temperatura / Valvola di sicurezza per la pressione	1,0 MPa (10bar)															
Acqua	Circuito primario															
Refrigerante (R32/ R410A)	Circuito ACS															
Gas	Liquido															
Riscald.	Temperatura ambiente															
Temperatura dell'acqua	Temperatura ambiente															
Raffr.	Temperatura dell'acqua															
Intervallo di esercizio	—															
Intervallo operativo garantito *2	Ambiente															
Temperatura esterna	Riscald. *4															
Temperatura calda	Raffr. *3															
Temperatura massima consentita dell'acqua calda	70°C															
Profilo di carico dichiarato	*4															
Clima normale	L															
Classe di efficienza energetica	A+															
Scheda di controllo (Include 4 pompe)	Alimentazione (fase, tensione, frequenza)															
Ingresso	~N, 230 V, 50 Hz															
Corrente	0,30 kW															
Interruttore differenziale	1,95 A															
Alimentazione (fase, tensione, frequenza)	10 A															
Capacità	—	~N, 230 V, 50 Hz	3~ , 400 V, 50 Hz	3~ , 230 V, 50 Hz	3 kW + 6 kW	3 kW + 6 kW	2 kW	—	2 kW + 4 kW	2 kW	2 kW	2 kW	~N, 230 V, 50 Hz	3~ , 400 V, 50 Hz	~N, 230 V, 50 Hz	3~ , 400 V, 50 Hz
Corrente	—	2 kW	2 kW + 4 kW	3 kW + 6 kW	3 kW + 6 kW	3 kW + 6 kW	2 kW	—	2 kW + 4 kW	2 kW	2 kW	2 kW	2 kW	2 kW + 4 kW	2 kW	2 kW
Interruttore differenziale	—	9 A	26 A	13 A	16 A	13 A	9 A	—	26 A	13 A	16 A	9 A	26 A	13 A	16 A	9 A
Alimentazione (fase, tensione, frequenza)	—	16 A	32 A	16 A	16 A	32 A	16 A	—	32 A	16 A	32 A	16 A	32 A	16 A	32 A	16 A
Capacità	—															
Corrente	—															
Interruttore differenziale	—															
Riscald. immersione *5	—															
Corrente	—															
Interruttore differenziale	—															
Livello di potenza sonora (PWL)	40 dB(A)															

<Tabella 3.2>

*1 I volumi dell'acqua del circuito sanitario, del circuito primario dell'ACS (dalla valvola a 3 vie al punto di confluenza con il circuito di riscaldamento), delle tubazioni che vanno al vaso di espansione e del vaso di espansione stesso non sono inclusi in questo valore.

*2 L ambiente deve essere protetto dal gelo.

*3 Vedere tabella spec. unità esterna (min. 10°C). Il modo raffreddamento non è disponibile in condizioni di bassa temperatura esterna. In caso di utilizzo dell'impianto in modo raffreddamento a basse temperature ambiente (10°C o inferiori), esiste il rischio di danni allo scambiatore e piastre dovuti all'acqua congelata.

*4 Per il modello senza riscaldatore booster e riscaldatore a immersione, la temperatura massima di acqua calda consentita è (Massima dell'acqua in uscita dall'unità esterna -3°C). Per la massima dell'acqua in uscita dell'unità esterna, consultare il data book dell'unità esterna.

*5 Non installare riscaldatori a immersione senza fusibile termico. Per una sostituzione diretta, utilizzare solo parti di ricambio Mitsubishi Electric.

3 Dati tecnici

Specifiche tecniche

Nome modello	EHPT20X-MED	EHPT20X-VM6D	EHPT20X-YM9D	EHPT20X-YM9D	EHPT20X-TM9D	EHPT20X-MHEDW	ERPT20X-MD	ERPT20X-VM2D	ERPT20X-VM6D	EHPT30X-MED	EHPT30X-YM9D	ERPT30X-VM2ED
Volume nominale acqua calda sanitaria	300 L											
Dimensioni complessive unità (alt. x larg. x prof.)	1600 x 595 x 680 mm											
Peso (a vuoto)	93 kg	101 kg	102 kg	96 kg	102 kg	90 kg	99 kg	100 kg	101 kg	106 kg	109 kg	107 kg
Peso (carico)	300 kg	307 kg	310 kg	310 kg	310 kg	296 kg	305 kg	305 kg	307 kg	413 kg	419 kg	413 kg
Volume d'acqua del circuito di riscaldamento nell'unità *1	3,7 L											
Vaso di espansione chiuso (riscald. primario)	—	12 L	—	—	12 L	—	—	12 L	—	—	—	—
Pressione di carica	—	0,1 MPa	—	—	0,1 MPa	—	—	0,1 MPa	—	—	—	—
Circuito primario	1 - 80°C											
Valvola di sicurezza per la pressione	—											
Flussometro	Portata min. 5,0 L/min (Consultare la tabella 4.3.1 riguardo l'intervallo di portata dell'acqua)											
Riscald. booster	—	90°C	90°C	—	—	—	—	90°C	—	—	—	90°C
Fusibile termico BH	—	121°C	121°C	—	—	—	—	121°C	—	—	—	121°C
Termistore di controllo	75°C											
Serbatoio ACS	—											
Temperatura/Valvola di sicurezza per la pressione	90°C / 0,7 MPa (7bar)											
Acqua	1,0 MPa (10bar)											
Circolo ACS	—											
Liquido	ø28 mm											
Gas	ø22 mm											
Riscald.	10 - 30°C											
Temperatura ambiente	20 - 60°C											
Raffr.	—											
Temperatura dell'acqua	5 - 25°C											
Ambiente	0 - 35°C (≤ 80 %RH)											
Temperatura esterna	Vedere tabella spec. unità esterna.											
Riscald. Raffr.	*3											
Temperatura massima consentita dell'acqua calda	*4	70°C	—	—	—	—	*4	70°C	*4	70°C	—	70°C
Profilo di carico dichiarato	L											
Clima normale	A+											
Scheda di controllo (Include 4 pompe)	~N, 230 V, 50 Hz											
Ingresso	0,30 kW											
Corrente	1,95 A											
Interruttore differenziale	10 A											
Alimentazione (fase, tensione, frequenza)	—	~N, 230 V, 50 Hz	3~ 400 V, 50 Hz	3~ 230 V, 50 Hz	—	—	—	~N, 230 V, 50 Hz	—	—	3~ 400 V, 50 Hz	~N, 230 V, 50 Hz
Capacità	—	2 kW +4 kW	3 kW +6 kW	—	—	—	—	2 kW +4 kW	—	—	3 kW +6 kW	2 kW
Corrente	—	26 A	13 A	16 A	23 A	—	—	9 A	26 A	—	13 A	9 A
Interruttore differenziale	—	32 A	16 A	32 A	—	—	—	16 A	32 A	—	16 A	16 A
Alimentazione (fase, tensione, frequenza)	~N, 230 V, 50 Hz											
Riscald. immersione	*5											
Capacità	3 kW											
Corrente	13 A											
Interruttore differenziale	16 A											
Livello di potenza sonora (PWL)	40 dB(A)											

<Tabella 3.3>

*1 I volumi dell'acqua del circuito sanitario, del circuito primario dell'ACS (dalla valvola a 3 vie al punto di confluenza con il circuito di riscaldamento), delle tubazioni che vanno al vaso di espansione e del vaso di espansione stesso non sono inclusi in questo valore.
 *2 L'ambiente deve essere protetto dal gelo.
 *3 Vedere tabella spec. unità esterna (min. 10°C). Il modo raffreddamento non è disponibile in condizioni di bassa temperatura esterna. In caso di utilizzo dell'impianto in modo raffreddamento a basse temperature ambiente (10°C o inferiori), esiste il rischio di danni allo scambiatore a piastre dovuti all'acqua congelata.
 *4 Per il modello senza riscaldatore booster e riscaldatore a immersione, la temperatura massima di acqua calda consentita è [Massima dell'acqua in uscita dall'unità esterna - 3°C]. Per la massima dell'acqua in uscita dell'unità esterna, consultare il data book dell'unità esterna.
 *5 Non installare riscaldatori a immersione senza fusibile termico. Per una sostituzione diretta, utilizzare solo parti di ricambio Mitsubishi Electric.

3 Dati tecnici

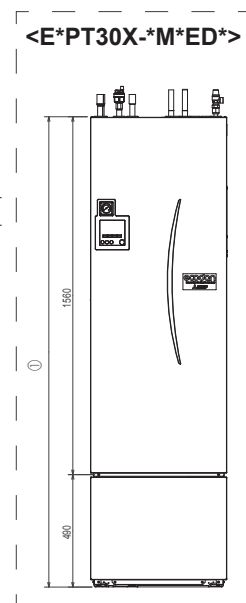
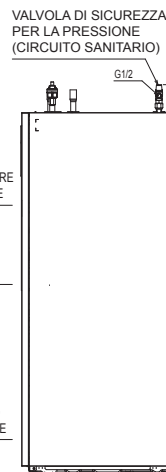
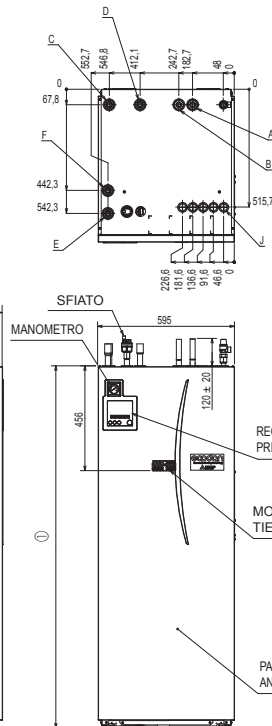
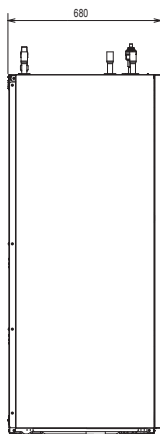
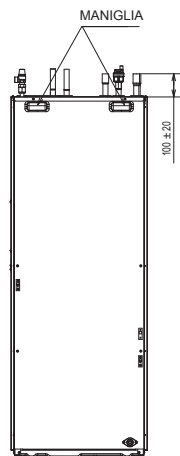
Disegni tecnici

<E**T***-M**D>

(Monoblock-System)

<Unità: mm>

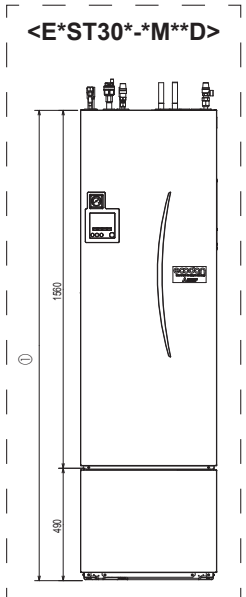
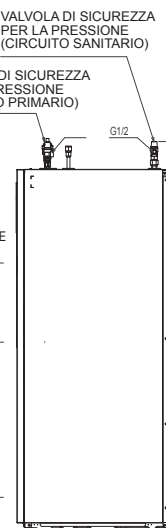
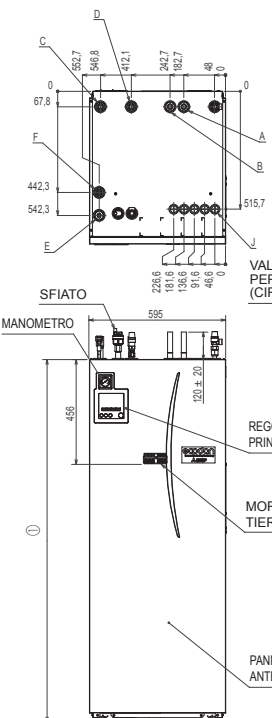
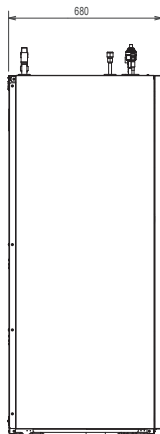
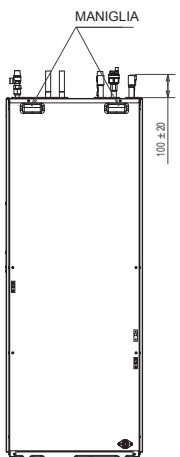
Capacità serbatoio ACS	170L	200L	300L
①	1400	1600	2050



it

(Impianto con modello split)

Capacità serbatoio ACS	170L	200L	300L
①	1400	1600	2050



Lettera	Descrizione del tubo	Dimensione/tipo del raccordo
A	Raccordo uscita ACS	A compressione/22 mm
B	Raccordo entrata acqua fredda	A compressione/22 mm
C	Raccordo di ritorno del riscaldamento/raffreddamento	A compressione/28 mm
D	Raccordo flusso riscaldamento/raffreddamento	A compressione/28 mm
E	Raccordo idrico DALLA pompa di calore (Scambiatore a piastre assente)	A compressione/28 mm
F	Raccordo di ritorno ALLA pompa di calore (Scambiatore a piastre assente)	A compressione/28 mm
G	Refrigerante (GAS) (Scambiatore a piastre presente)	12,7 mm/Svasato (E*ST**D-*) 15,88 mm/Svasato (E*ST**C-*)
H	Refrigerante (LIQUIDO) (Scambiatore a piastre presente)	6,35 mm/Svasato (E*ST**D-*) 9,52 mm/Svasato (E*ST**C-*)
J	Entrate dei cavi elettrici ① ② ③ ④ ⑤ ⊙ ⊙ ⊙ ⊙ ⊙	Per le entrate ①, ② e ③, posare cavi per bassa tensione, compresi i cavi di ingresso esterno e i cavi dei termistori. Per le entrate ④ e ⑤, posare cavi per alta tensione, compreso il cavo di alimentazione, il cavo interno-esterno e i cavi di uscita esterni. *Per il cavo del ricevitore senza fili (opzionale) e il cavo di interfaccia Wi-Fi Ecodan (opzionale), utilizzare entrata ①.

⚠ Avvertenza
 • Il raccordo dei tubi del refrigerante resta accessibile per fini di manutenzione.
 • In caso di ricollegamento dei tubi del refrigerante dopo lo smontaggio, rilavorare la parte svasata del tubo.

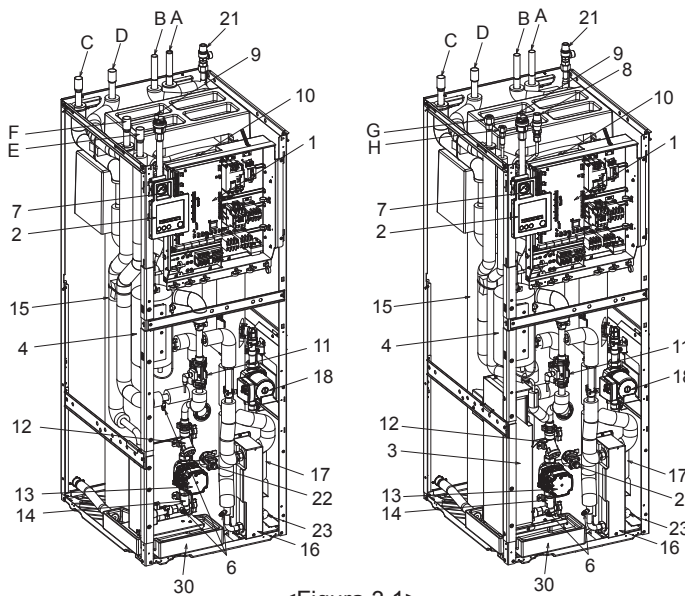
<Tabella 3.4>

3 Dati tecnici

Componenti

<E**T* **-*M**D>

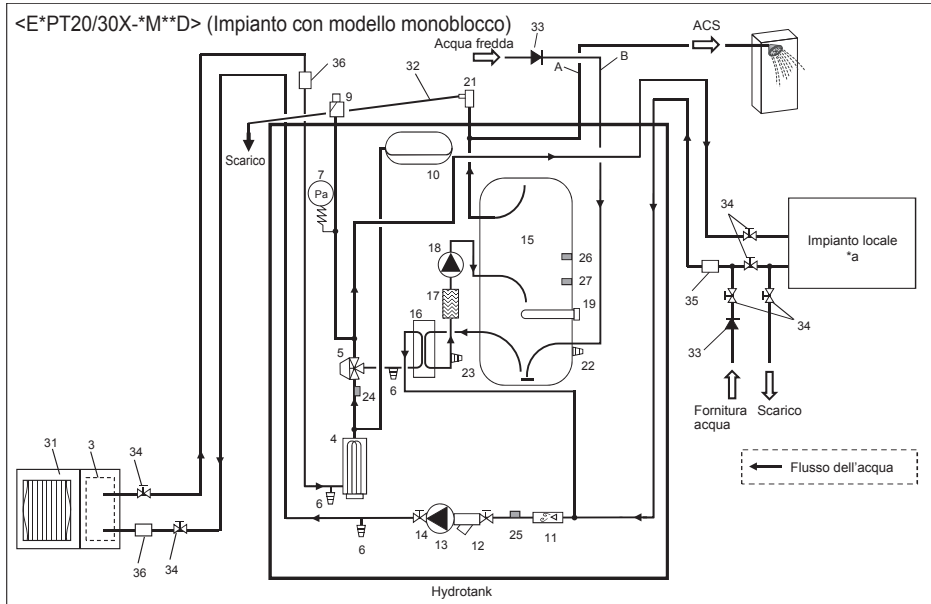
(Impianto con modello monoblocco) (Impianto con modello split)



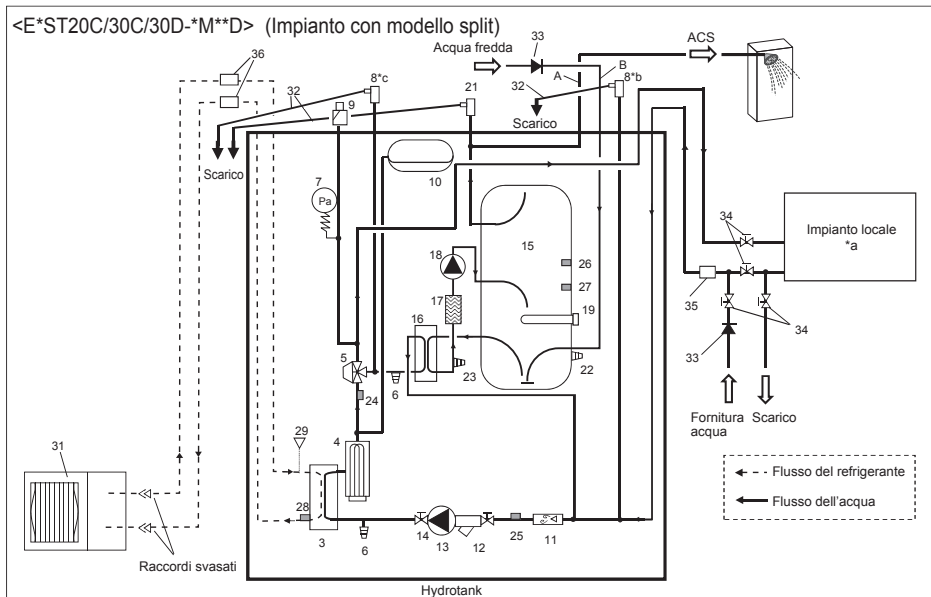
<Figura 3.1>

Nota:
per l'installazione di tutti i modelli E**T***-M*ED*, accertarsi di montare un vaso di espansione di dimensioni adeguate sul lato primario e una valvola di sicurezza pressione supplementare, per impedire l'esplosione del vaso di espansione durante l'uso. (Per ulteriori dettagli vedere figura 3.2 ~ 3.3 e 4.3.2)

Schema del circuito idraulico



<Figura 3.2>



<Figura 3.3>

N.	Nome della parte
A	Tubo di scarico ACS
B	Tubo di entrata acqua fredda
C	Tubo dell'acqua (raccordo di ritorno del riscaldamento/raffreddamento)
D	Tubo dell'acqua (raccordo flusso riscaldamento/raffreddamento)
E	Tubo dell'acqua (flusso da raccordo pompa calore)
F	Tubo dell'acqua (ritorno a raccordo pompa calore)
G	Tubazione del refrigerante (gas)
H	Tubazione del refrigerante (liquido)
1	Quadro elettrico e di controllo
2	Regolatore principale
3	Scambiatore a piastre (acqua - refrigerante)
4	Riscaldatore booster 1,2
5	Valvola a 3 vie
6	Rubinetto di scarico (circuitto primario)
7	Manometro
8	Valvola di sicurezza per la pressione (3 bar)
9	Sfiato automatico
10	Vaso di espansione (circuitto primario)
11	Flussometro
12	Valvola del filtro
13	Pompa di circolazione dell'acqua 1 (circuitto primario)
14	Valvola della pompa
15	Serbatoio ACS
16	Scambiatore a piastre (acqua - acqua)
17	Separatore di impurità
18	Pompa di circolazione dell'acqua (circuitto sanitario)
19	Riscaldatore a immersione *1
20	Temperatura e valvola di sicurezza per la pressione *1
21	Valvola di sicurezza per la pressione (10 bar) (serbatoio ACS)
22	Rubinetto di scarico (serbatoio ACS)
23	Rubinetto di scarico (circuitto sanitario)
24	Termistore temperatura flusso acqua (THW1)
25	Termistore temperatura acqua di ritorno (THW2)
26	Termistore super. temperatura dell'acqua serbatoio ACS (THW5A)
27	Termistore infer. temperatura dell'acqua serbatoio ACS (THW5B)
28	Termistore temperatura liquido refrigerante (TH2)
29	Sensore di pressione
30	Scolatoio
31	Unità esterna
32	Tubo di scarico (fornitura locale)
33	Valvola di non ritorno (fornitura locale)
34	Valvola di isolamento (fornitura locale)
35	Filtro magnetico (fornitura locale) (consigliato)
36	Filtro (fornitura locale)
37	Valvola di sicurezza pressione addizionale (fornitura locale)
38	Gruppo di controllo dell'entrata *1
39	Circuito di riempimento (valvole a sfera, controllare valvole e tubo flessibile) *1
40	Vaso di espansione per acqua potabile *1

*1 In dotazione SOLO con il modello UK. Consultare il manuale di installazione di PAC-WK02UK-E per ulteriori informazioni sugli accessori.

<Tabella 3.5>

Visitare il sito web di Mitsubishi per controllare il circuito idraulico di altre unità e i componenti di ogni unità.

*a Consultare la sezione seguente [Impianto locale].

*b Solo E**T20

*c Solo E**T30

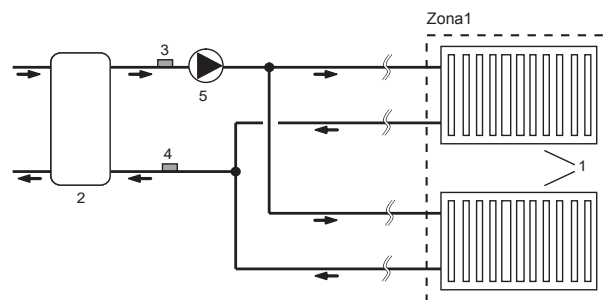
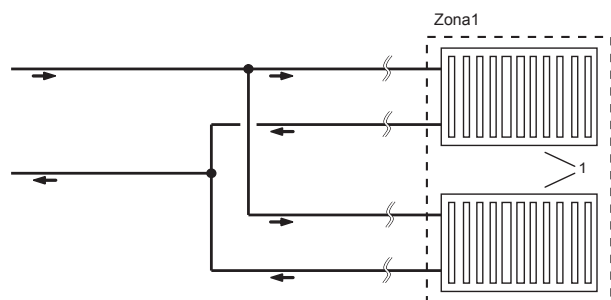
Nota

- Per consentire lo scarico dell'hydrotank è necessario posizionare una valvola di isolamento sulle tubazioni sia di entrata che di uscita.
- Assicurarsi di installare un filtro sulla tubazione di entrata verso l'hydrotank.
- A tutte le valvole di sicurezza devono essere collegate tubazioni di scarico idonee in conformità alle normative nazionali.
- Sulla tubazione di alimentazione dell'acqua fredda deve essere installata una valvola di non ritorno (IEC 61770).
- Quando si utilizzano componenti o tubi di collegamento realizzati in metalli diversi, isolare i raccordi per evitare il verificarsi di qualunque reazione corrosiva che possa essere dannosa per la tubazione.

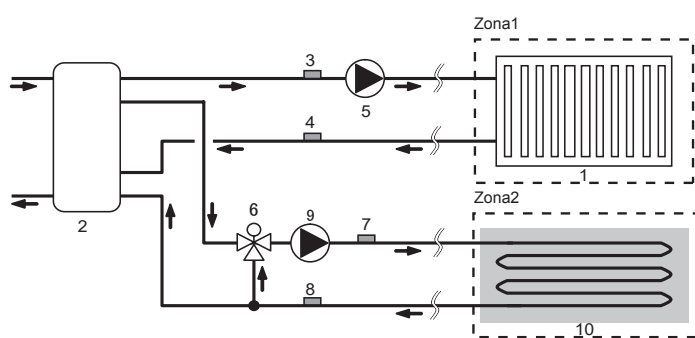
3 Dati tecnici

Impianto locale

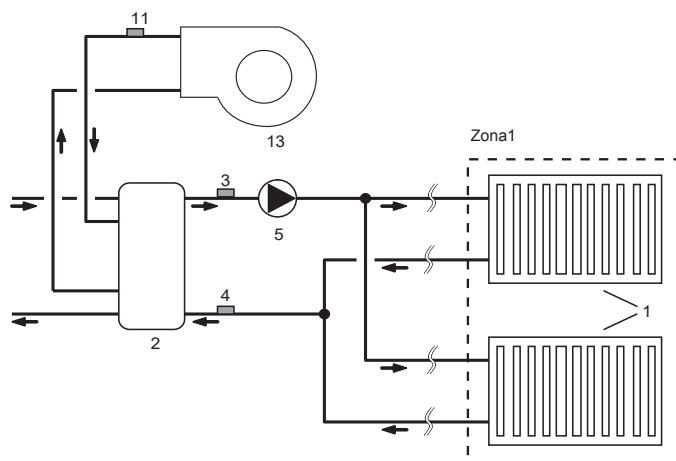
Controllo della temperatura monozona



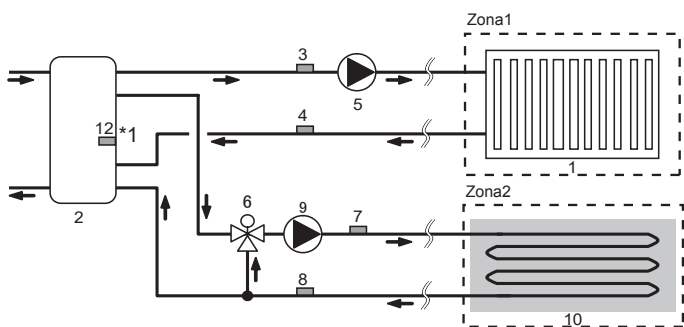
Controllo della temperatura a due zone



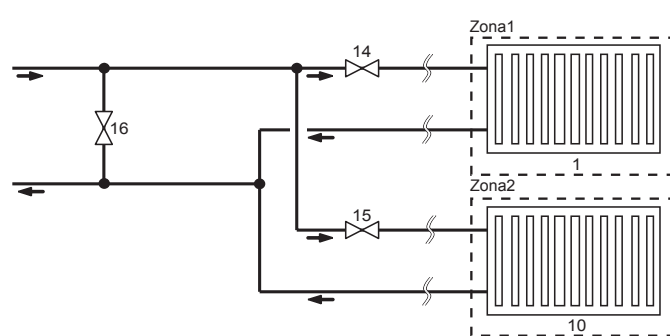
Controllo della temperatura monozona con caldaia



Controllo della temperatura a due zone e controllo serbatoio di riserva



Controllo della temperatura monozona (controllo attivato/disattivato della valvola di zona 2)



1. Emettitori di calore zona1 (ad es. radiatore, ventilconvettore) (fornitura locale)

2. Serbatoio di miscelazione (fornitura locale)

3. Termistore temperatura dell'acqua zona 1 (THW6)

4. Termistore temperatura dell'acqua di ritorno zona 1 (THW7) } Componente opzionale: PAC-TH011-E

5. Pompa di circolazione dell'acqua zona1 (fornitura locale)

6. Valvola di miscelazione motorizzata (fornitura locale)

7. Termistore temperatura dell'acqua zona2 (THW8)

8. Termistore temperatura dell'acqua di ritorno zona2 (THW9) } Componente opzionale: PAC-TH011-E

9. Pompa di circolazione dell'acqua zona2 (fornitura locale)

10. Emettitori di calore zona2 (ad es. riscaldamento a pavimento) (fornitura locale)

11. Termistore temperatura dell'acqua caldaia (THWB1)

12. Termistore serbatoio di miscelazione (THW10) *1 } Componente opzionale: PAC-TH012HT(L)-E

13. Caldaia (fornitura locale)

14. Valvola a 2 vie zona1 (fornitura locale)

15. Valvola a 2 vie zona2 (fornitura locale)

16. Valvola di by-pass (fornitura locale)

*1 Il controllo serbatoio di riserva (riscald/raffr.) si applica SOLO a "Smart grid ready".

4 Installazione

<Preparazione prima dell'installazione e del servizio>

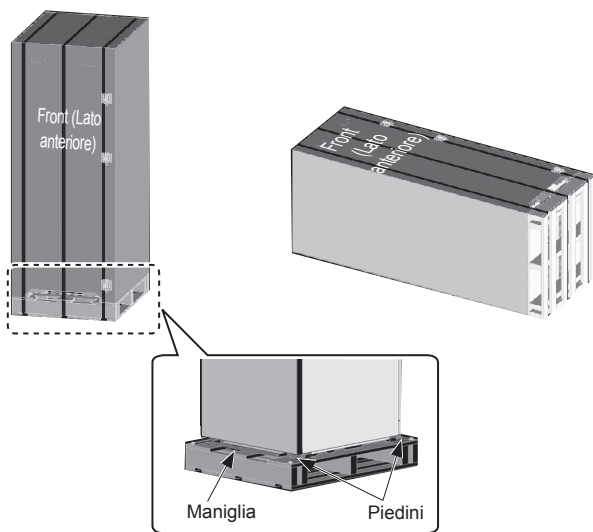
- Preparare gli utensili appropriati.
- Preparare le idonee protezioni.
- Attendere il raffreddamento dei componenti prima di procedere a qualsiasi intervento di manutenzione.
- Assicurare una ventilazione adeguata.
- Dopo avere arrestato il funzionamento dell'impianto, spegnere l'interruttore di alimentazione e scollegare la spina.
- Scaricare il condensatore prima di iniziare qualsiasi intervento che interessi i componenti elettrici.

<Precauzioni durante il servizio>

- Non eseguire interventi sui componenti elettrici con le mani bagnate.
- Non versare acqua o liquidi sui componenti elettrici.
- Non toccare il refrigerante.
- Non toccare le superfici calde o fredde del ciclo del refrigerante.
- Qualora sia necessario eseguire la riparazione o l'ispezione del circuito senza scollegare l'alimentazione, prestare grande attenzione a non toccare i componenti alimentati.

4.1 Collocazione

■ Trasporto e movimentazione



<Figura 4.1.1>

L'hydrotank viene consegnato su una base costituita da un pallet in legno e con una protezione di cartone.

Prestare attenzione durante il trasporto dell'hydrotank per evitare danni da impatto al corpo dell'unità. Rimuovere la confezione protettiva solo quando l'hydrotank ha raggiunto la sua collocazione definitiva. Ciò contribuisce a proteggere la struttura e il quadro comandi.

- L'hydrotank può essere trasportato sia in posizione verticale che in orizzontale. Se trasportato in posizione orizzontale il pannello contrassegnato con la dicitura "Front" (Lato anteriore) deve essere rivolto **VERSO L'ALTO** <Figura 4.1.1>.
- L'hydrotank deve essere **SEMPRE** movimentato da almeno 3 persone.
- Per trasportare l'hydrotank utilizzare le maniglie fornite.
- Prima di utilizzare le maniglie assicurarsi che siano fissate saldamente.
- **Rimuovere la maniglia anteriore, i piedini di fissaggio, la base di legno e il restante materiale di confezionamento solo quando l'unità si trova nel luogo di installazione.**
- **Conservare le maniglie per eventuali trasporti successivi.**

■ Collocazione idonea

Prima dell'installazione l'hydrotank deve essere conservato in un luogo riparato dal gelo e dai fenomeni climatici. Le unità **NON** devono essere sovrapposte una sull'altra.

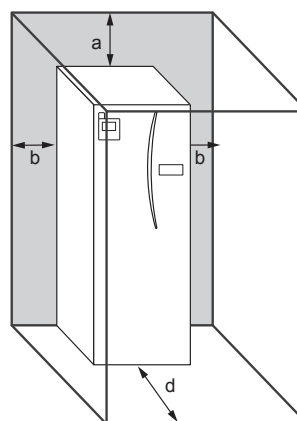
- L'hydrotank deve essere installato al chiuso in un luogo riparato dal gelo e dai fenomeni climatici.
- Installare l'hydrotank in un luogo in cui non sia esposto all'acqua/umidità eccessive.
- L'hydrotank deve essere posizionato su una superficie piana in grado di supportarne il peso quando il dispositivo è carico. Per assicurare che l'unità sia in piano è possibile utilizzare i piedini regolabili (componenti accessori).
- Se si utilizzano i piedini regolabili accertarsi che il pavimento sia sufficientemente solido.
- Prestare attenzione a osservare le distanze minime necessarie per l'accesso di servizio intorno e davanti all'unità <Figura 4.1.2>.
- Fissare l'hydrotank in modo che non cada.

■ Schemi di accesso per interventi di servizio

Accesso di servizio	
Parametro	Dimensione (mm)
a	300*
b	150
c (distanza dietro l'unità non visibile in Figura 4.1.2)	10
d	500

<Tabella 4.1.1>

È **NECESSARIO** prevedere uno spazio sufficiente per la posa di tubazioni di mandata secondo quanto stabilito dalle normative nazionali e locali in materia di edilizia.



<Figura 4.1.2>

Accesso di servizio

* È richiesto uno spazio aggiuntivo di 300 mm (totale 600 mm), quando si intende installare il kit opzionale a 2 zone (PAC-TZ02-E) sopra l'hydrotank.

L'hydrotank deve essere collocato al chiuso in un ambiente riparato dal gelo, ad esempio un ripostiglio, al fine di ridurre al minimo la dispersione di calore dell'acqua accumulata.

■ Riposizionamento

Se si rende necessario spostare l'hydrotank in una nuova ubicazione, **SCARICARE COMPLETAMENTE** l'hydrotank prima dello spostamento per evitare di danneggiare l'unità.

4 Installazione

4.2 Qualità dell'acqua e preparazione dell'impianto

■ Generalità

- L'acqua sia del circuito primario che sanitario deve essere pulita e con un valore del pH pari a 6,5 - 8,0
- Vengono indicati di seguito i valori massimi
Calcio: 100 mg/L, durezza Ca: 250 mg/L
Cloruro: 100 mg/L, rame: 0,3 mg/L
- Altri componenti devono essere conformi agli standard della Direttiva europea 98/83 CE.
- Nelle zone con acqua dura, per prevenire/ridurre al minimo le incrostazioni, è opportuno limitare la temperatura dell'acqua normalmente accumulata (ACS temperatura massima) a 55°C.

■ Antigelo

Le soluzioni antigelo dovrebbero contenere glicole propilenico con tossicità di Classe 1 secondo il testo Clinical Toxicology of Commercial Products (Tossicologia clinica dei prodotti commerciali), 5a edizione.

Nota:

- Il glicole etilenico è tossico e NON dovrebbe essere utilizzato nel circuito idraulico primario per evitare qualsiasi contaminazione incrociata del circuito dell'acqua potabile.
- Per attivare (ON)/disattivare (OFF) il controllo della valvola di zona 2, si dovrebbe utilizzare il glicole propilenico.

■ Nuova installazione (circuito idraulico primario)

- Prima di collegare l'unità esterna, pulire accuratamente le tubazioni eliminando residui di materiali da costruzione, saldatura ecc. con un detergente chimico idoneo.
- Sciacquare l'impianto per eliminare il detergente chimico.
- Per tutti gli impianti con modelli monoblocco aggiungere una soluzione di inibitore e antigelo per prevenire danni alle tubazioni e ai componenti dell'impianto.
- Per gli impianti con modelli split l'installatore responsabile deve stabilire se l'antigelo è necessario in base alle condizioni di ciascun sito. È comunque necessario utilizzare sempre un inibitore della corrosione.

■ Installazione esistente (circuito idraulico primario)

- Prima di collegare l'unità esterna, il circuito di riscaldamento esistente DEVE essere lavato con un detergente chimico per eliminare i detriti esistenti.
- Sciacquare l'impianto per eliminare il detergente chimico.
- Per tutti gli impianti con modelli monoblocco, e per il modello split o il sistema PUMY senza riscaldatore booster, aggiungere una soluzione combinata di inibitore e antigelo per evitare danni alle tubazioni e ai componenti dell'impianto.
- Per gli impianti con modelli split l'installatore responsabile deve stabilire se l'antigelo è necessario in base alle condizioni di ciascun sito. È comunque necessario utilizzare sempre un inibitore della corrosione.

Seguire sempre le istruzioni del fabbricante quando si utilizzano detergenti chimici e inibitori e assicurarsi che il prodotto sia indicato per i materiali utilizzati nel circuito idraulico

4.3 Impianto idraulico

■ Tubazioni dell'acqua calda

L'hydrotank è CHIUSO. Nell'installazione di impianti per acqua calda chiusi è necessario ottemperare alle normative edilizie parte G3 (Inghilterra e Galles), P3 (Scozia) e P5 (Irlanda del Nord). Fuori del Regno Unito ottemperare alle normative nazionali in materia di impianti per acqua calda chiusi.

Collegare il flusso per l'ACS al tubo A (Figura 3.1).

In fase di installazione è obbligatorio controllare il funzionamento dei seguenti componenti di sicurezza per escludere qualsiasi anomalia:

- Valvola di sicurezza per la pressione (circuito primario e serbatoio)
- Pre-carica del vaso di espansione (pressione di carica del gas)

Le istruzioni fornite alle pagine seguenti riguardanti lo scarico in sicurezza dell'acqua calda dai dispositivi di sicurezza vanno seguite attentamente.

- Le tubazioni raggiungono temperature molto elevate, pertanto devono essere isolate al fine di evitare ustioni.
- Quando si collegano le tubazioni, assicurarsi che nei tubi non siano presenti oggetti estranei quali detriti o simili.

■ Tubazioni dell'acqua fredda

L'impianto deve essere alimentato con acqua fredda di standard adeguato (consultare la sezione 4.2) attraverso il tubo di collegamento B (Figura 3.1) utilizzando idonei raccordi.

■ Prevenzione della pressione negativa

Per evitare che il serbatoio ACS possa essere soggetto agli effetti della pressione negativa, l'installatore dovrebbe installare delle tubazioni idonee o utilizzare dispositivi idonei.

■ Quantità minima di acqua necessaria nel circuito del riscaldamento/raffreddamento

Unità pompa di calore esterna		Clima normale/più caldo**		Clima più freddo**	
		Unità interna contenente quantità d'acqua [L]	*Quantità d'acqua supplementare necessaria [L]	Unità interna contenente quantità d'acqua [L]	*Quantità d'acqua supplementare necessaria [L]
Modello monoblocco	PUZ-WM50	5	2	5	24
	PUZ-WM60		4		29
	PUZ-WM85		7		32
	PUZ-WM112		11		43
	PUZ-HWM140		15		55
Modello split	SUZ-SWM40	5	1	5	12
	SUZ-SWM60		2		21
	SUZ-SWM80		4		29
	PUD-S(H)WM60		4		21
	PUD-S(H)WM80		6		29
	PUD-S(H)WM100		9		38
	PUD-S(H)WM120		12		47
	PUD-SHW140		15		55
	PUHZ-FRP71		6		27
	PUHZ-SW75		6		27
	PUHZ-SW100		9		38
	PUHZ-SW120		12		47
	PUHZ-SHW80		6		29
	PUHZ-SHW112		11		43
	PUHZ-SHW140		15		55
	PUMY-P112		22		75
	PUMY-P125		22		75
	PUMY-P140		22		75

<Tabelle 4.2.1>

* Se è presente un circuito di bypass, i valori della tabella in alto corrispondono alla quantità minima in caso di bypass.

** Fare riferimento a 2009/125/CE: Direttiva e regolamento (UE) sui prodotti in ambito energetico 813/2013 per avere conferma della propria zona climatica.

Caso 1. Nessuna divisione tra circuito primario e secondario

- Accertarsi che la quantità d'acqua necessaria per tubo dell'acqua, radiatore e riscaldamento a pavimento corrisponda alla tabella 4.2.1.

Caso 2. Circuito primario e secondario separati

- Se non è disponibile il funzionamento sincronizzato della pompa primaria e secondaria, accertarsi che la quantità d'acqua totale necessaria corrisponda alla tabella 4.2.1 solo per il circuito primario.
- Se il funzionamento sincronizzato della pompa primaria e secondaria è disponibile, accertarsi che la quantità d'acqua totale necessaria corrisponda alla tabella 4.2.1 per il circuito primario e secondario.

In caso di carenza della quantità d'acqua necessaria, installare un serbatoio di riserva.

■ Installazione del filtro idraulico (SOLO serie E*PT)

Installare un filtro idraulico (fornitura locale) sulla presa d'acqua ("tubo E" in Fig.3.1)

■ Raccordi delle tubazioni

I collegamenti all'hydrotank devono essere effettuati utilizzando raccordi a compressione da 22 o 28 mm, secondo i casi.

Durante il collegamento dei tubi dell'ACS con i raccordi a compressione, inserire un rivestimento in rame per il tubo dell'ACS (accessori) nei tubi e serrarli di 0,75 - 1,25 giri.

Non serrare eccessivamente i raccordi a compressione per evitare la deformazione della boccola e possibili perdite.

Nota: Prima di effettuare la brasatura dei tubi sul luogo dell'impianto, proteggere i tubi sull'hydrotank con dei panni umidi o simili, usati come "schermo termico".

■ Isolamento delle tubazioni

- Tutte le tubazioni dell'acqua esposte devono essere isolate per evitare dispersione di calore e condensa inopportuna. Per impedire l'ingresso di condensa nell'hydrotank è necessario un attento isolamento delle tubazioni e dei raccordi sulla parte superiore dell'hydrotank.
- Ove possibile, le tubazioni dell'acqua calda e dell'acqua fredda non devono presentare percorsi ravvicinati, al fine di evitare un trasferimento di calore indesiderato.
- Le tubazioni tra l'unità pompa di calore esterna e l'hydrotank devono essere isolate con apposito materiale isolante con caratteristiche di conduttività termica $\leq 0,04$ W/m.K.

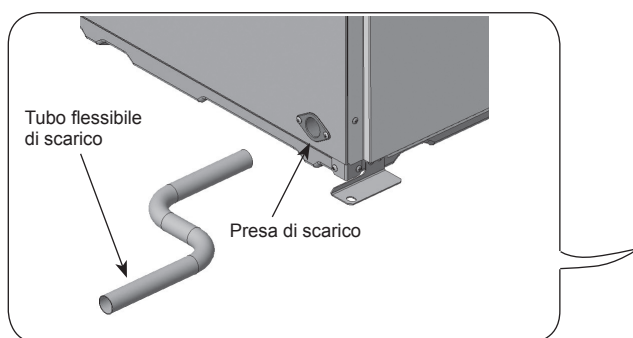
4 Installazione

■ Tubazioni di scarico (SOLO serie ER)

il componente opzionale "supporto con scolatoio" non occorre in quanto è montato lo scolatoio. Predisporre lo scarico dalla presa di scarico nel lato posteriore sinistro dell'unità.

Per scaricare l'acqua che si condensa durante il modo di raffreddamento occorre installare il tubo di scarico.

- Per evitare che acqua sporca venga scaricata direttamente sul pavimento accanto all'hydrotank, collegare delle tubazioni di scarico appropriate dallo scolatoio dell'hydrotank.
- Installare saldamente il tubo di scarico, per evitare perdite dal raccordo.
- Isolare saldamente il tubo di scarico, per evitare che l'acqua goccioli dal tubo di scarico fornito localmente.
- Installare il tubo di scarico con un'inclinazione verso il basso di 1/100 o superiore.
- Non collocare il tubo di scarico in un canale di scarico in cui sia presente gas solforico.
- Dopo l'installazione, verificare che il tubo di scarico scarichi l'acqua correttamente dall'uscita del tubo in un'ubicazione di scarico idonea.



<Figura 4.3.1>

<Installazione>

1. La presa di scarico (diametro interno 26mm) si trova nel lato posteriore sinistro dell'hydrotank. (Figura 4.3.1)
2. Fissare il tubo di scarico (VP-20) installato nella presa di scarico con adesivo di cloruro di polivinile.
3. Portare la tubazione di scarico fino alla presa con un'inclinazione verso il basso superiore a un centesimo.

Nota: supportare saldamente il tubo di scarico fornito localmente, per evitare che il tubo di scarico possa cadere dalla presa di scarico.



■ Dimensionamento dei vasi di espansione

Il volume dei vasi di espansione deve essere determinato in base al volume idrico dell'impianto locale.

Per dimensionare un vaso di espansione per il circuito di riscaldamento è possibile utilizzare la formula e il grafico seguenti.

Qualora il volume necessario per il vaso di espansione superi il volume di un vaso già presente nell'impianto, installare un vaso di espansione aggiuntivo in modo che il totale dei volumi dei vasi di espansione superi il volume necessario.

* Per l'installazione del modello E**T***.M*ED*, occorre predisporre un vaso di espansione adeguato sul lato primario e una valvola di sicurezza per la pressione omologata da 3 bar in quanto questo modello NON è dotato di vaso di espansione sul lato primario.

$$V = \frac{\epsilon \times G}{1 - \frac{P_1 + 0,098}{P_2 + 0,098}}$$

Dove:

V : Volume necessario per il vaso di espansione [L]

ϵ : Coefficiente di espansione dell'acqua

G : Volume totale di acqua nell'impianto [L]

P₁ : Pressione di carica iniziale del vaso di espansione [MPa]

P₂ : Pressione massima di esercizio [MPa]

Il grafico a destra si riferisce ai valori seguenti

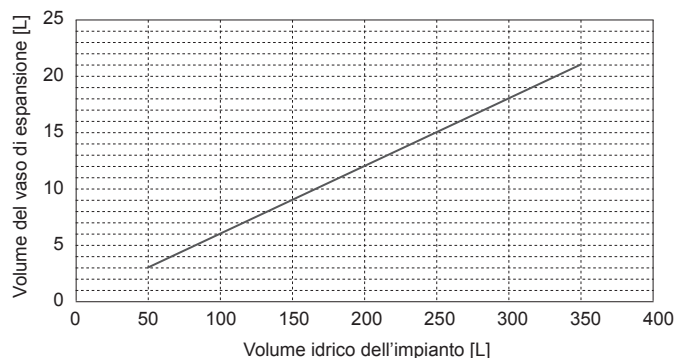
ϵ : a 70°C = 0,0229

P₁ : 0,1 MPa

P₂ : 0,3 MPa

* È stato aggiunto un margine di sicurezza del 30%.

Dimensionamento del vaso di espansione



<Figura 4.3.2>

4 Installazione

Caratteristiche della pompa di circolazione dell'acqua

1. Circuito primario

La velocità della pompa è selezionabile mediante impostazione del regolatore principale (vedere <Figura 4.3.3 - 4.3.7>).

Regolare l'impostazione di velocità della pompa in modo che la portata all'interno del circuito primario sia adeguata all'unità esterna installata (consultare la Tabella 4.3.1). Potrebbe essere necessario aggiungere un'altra pompa all'impianto a seconda della lunghezza e della prevalenza del circuito primario.

Per i modelli di unità esterna non elencati nella <Tabella 4.3.1>, consultare Intervallo portata dell'acqua nella tabella delle specifiche del Data book dell'unità esterna.

<Seconda pompa>

Qualora sia necessaria l'installazione di una seconda pompa leggere attentamente quanto segue.

Nel caso in cui si utilizzi una seconda pompa nell'impianto, è possibile posizionarla in due modi.

La posizione della pompa determina il terminale del regolatore FTC a cui va collegato il cavo di segnale. Se la corrente della pompa o delle pompe aggiuntive è superiore a 1 A utilizzare un relè appropriato. Il cavo di segnale della pompa può essere collegato a TBO.1 1-2 o a CNP1 ma non a entrambi.

Opzione 1 (Solo riscaldamento/raffreddamento)

Se la seconda pompa è utilizzata esclusivamente per il circuito di riscaldamento, il cavo di segnale deve essere collegato ai terminali 3 e 4 di TBO.1 (OUT2). In questa posizione è possibile azionare la pompa a una velocità diversa rispetto alla pompa integrata nell'hydrotank.

Opzione 2 (ACS circuito primario e riscaldamento/raffreddamento)

Se la seconda pompa è utilizzata nel circuito primario tra l'hydrotank e l'unità esterna (SOLO impianti monoblocco), il cavo di segnale deve essere collegato ai terminali 1 e 2 di TBO.1 (OUT1). In questa posizione la velocità della pompa DEVE corrispondere alla velocità della pompa integrata nell'hydrotank.

Nota: consultare la sezione 5.2, Collegamento di ingressi/uscite.

Unità pompa di calore esterna	Intervallo portata dell'acqua [L/min]	
Modello monoblocco	PUZ-WM50	6,5 - 14,3
	PUZ-WM60	8,6 - 17,2
	PUZ-WM85	10,8 - 24,4
	PUZ-WM112	14,4 - 32,1
	PUZ-HWM140	17,9 - 36,9
Modello split	SUZ-SWM40	6,5 - 11,4
	SUZ-SWM60	7,2 - 17,2
	SUZ-SWM80	7,8 - 21,5
	PUD-S(H)WM60	9,0 - 22,9
	PUD-S(H)WM80	9,0 - 22,9
	PUD-S(H)WM100	14,3 - 34,4
	PUD-S(H)WM120	14,3 - 34,4
	PUD-SHW140	14,3 - 34,4
	PUHZ-FRP71	11,5 - 22,9
	PUHZ-SW75	10,2 - 22,9
	PUHZ-SW100	14,4 - 32,1
	PUHZ-SW120	20,1 - 36,9
	PUHZ-SHW80	10,2 - 22,9
	PUHZ-SHW112	14,4 - 32,1
	PUHZ-SHW140	17,9 - 36,9
PUMY-P112	17,9 - 35,8	
PUMY-P125	17,9 - 35,8	
PUMY-P140	17,9 - 35,8	

<Tabella 4.3.1>

* Se la portata dell'acqua è inferiore a 5,0 L/min, si attiva l'errore della portata.

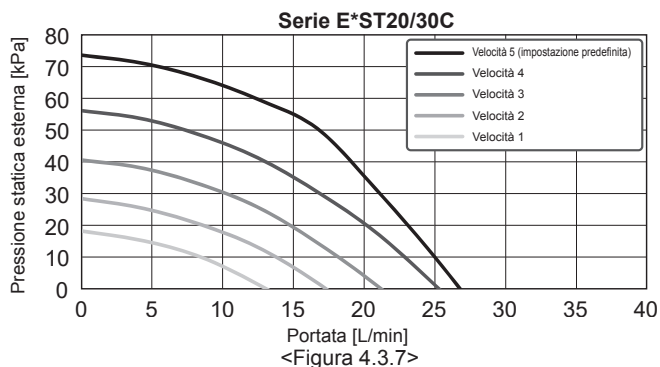
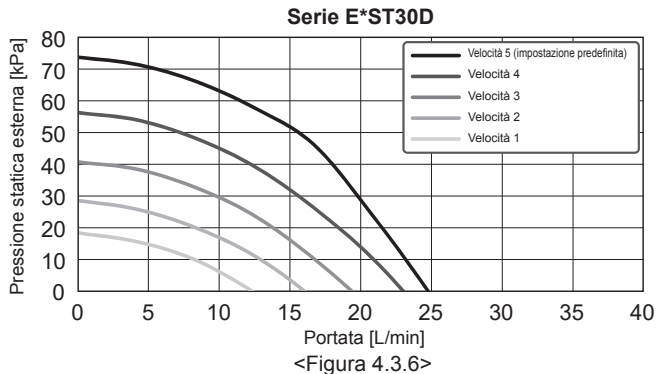
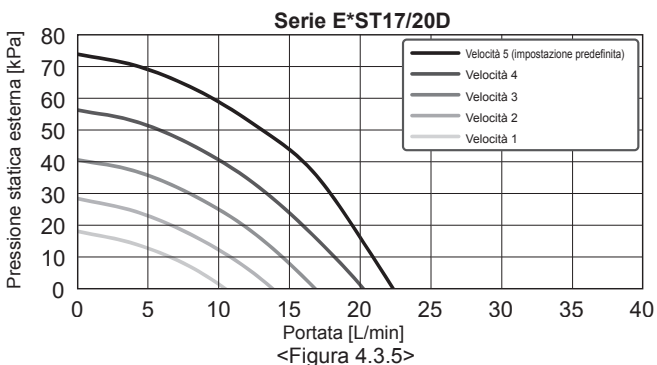
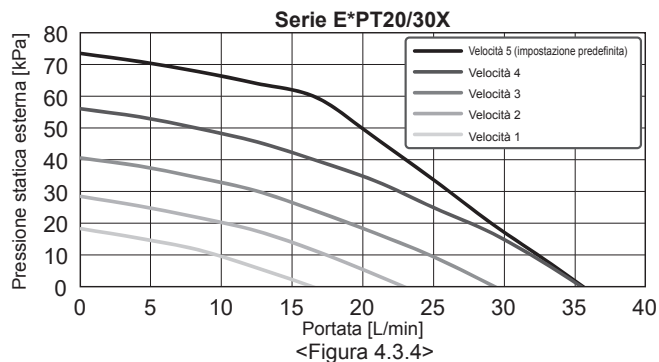
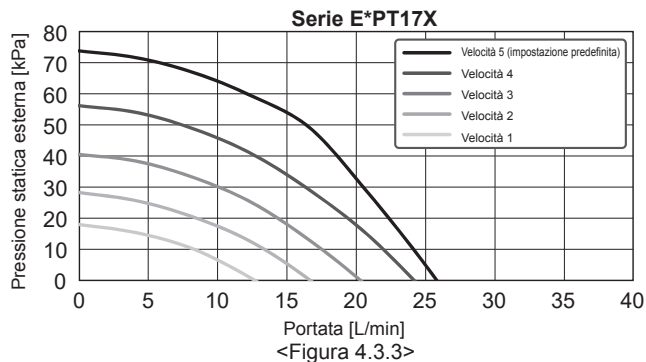
Se la portata dell'acqua supera 36,9 L/min (serie E**T20/30) o 25,8 L/min (serie E**T17), la velocità del flusso è superiore a 2,0 m/s e ciò potrebbe erodere i tubi.

2. Circuito sanitario

Impostazione predefinita: Velocità 2

La pompa di circolazione dell'ACS DEVE essere impostata sulla velocità 2.

Caratteristiche della pompa di circolazione dell'acqua



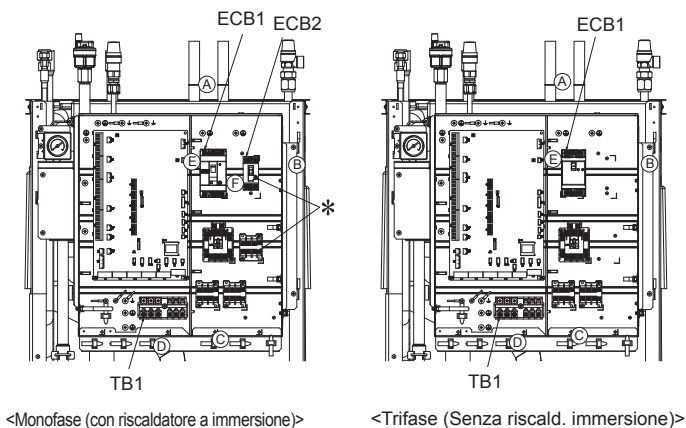
*Per l'installazione della serie E*PT, impostare la velocità della pompa dell'unità in base alla pressione statica esterna tenendo conto del calo di pressione tra l'hydrotank e l'unità esterna.

4 Installazione

4.4 Collegamento elettrico

Tutti gli interventi elettrici devono essere eseguiti da personale tecnico in possesso delle qualifiche appropriate. La mancata osservanza di questa misura può dare luogo a folgorazione, incendi e decesso, oltre a rendere nulla la garanzia sul prodotto. Tutti i cablaggi devono essere conformi alle normative nazionali in materia.

Abbreviazione interruttore	Significato
ECB1	Interruttore differenziale con protezione da sovracorrente per riscaldatore booster
ECB2	Interruttore differenziale con protezione da sovracorrente per riscaldatore a immersione
TB1	Morsetteria 1



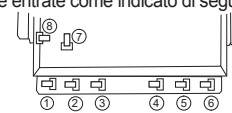
L'hydrotank può essere alimentato in due modi.

1. Il cavo di alimentazione collega l'unità esterna all'hydrotank.
2. L'hydrotank ha una fonte di alimentazione indipendente.

I collegamenti devono essere effettuati ai terminali indicati nelle figure in basso a sinistra a seconda della fase.

Il riscaldatore booster e il riscaldatore a immersione devono essere collegati in modo indipendente a fonti di alimentazione dedicate.

- A I cablaggi forniti in loco devono essere inseriti nelle entrate che si trovano sul lato superiore dell'hydrotank (consultare la <Tabella 3.4>).
- B Il cablaggio deve essere inserito sul lato destro del quadro elettrico e di controllo e fissato in posizione con le clip fornite.
- C I cavi vanno inseriti individualmente nelle apposite entrate come indicato di seguito.
 - 2 Cavo di uscita
 - 3 Cavo unità interna-esterna
 - 5 Linea di alimentazione (R.B)
Linea di alimentazione (R.I.) (Opzionale)
 - 7 Cavo del segnale di ingresso
- D Collegare il cavo di collegamento dell'unità esterna-hydrotank a TB1.
- E Collegare il cavo di alimentazione per il riscaldatore booster a ECB1.
- F Se è presente un riscaldatore a immersione, collegare il cavo di alimentazione a ECB2.

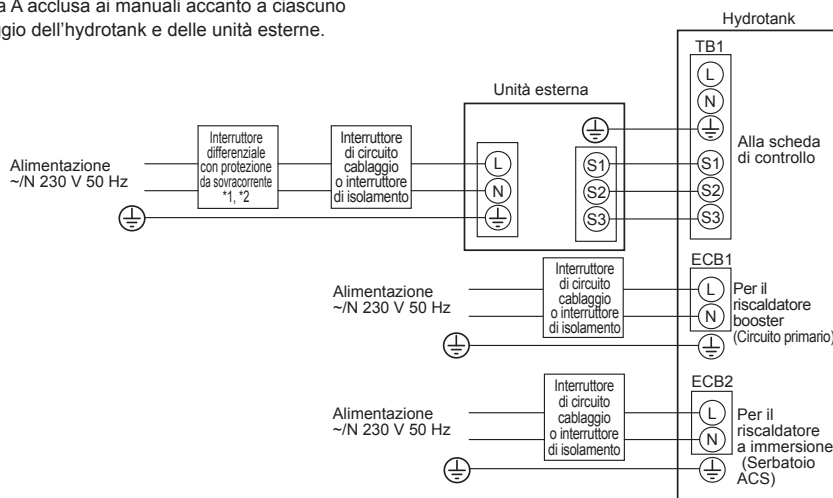


- Evitare il contatto tra il cablaggio e i componenti (*).
- Assicurarsi che ECB1 ed ECB2 siano attivati (ON).
- Al completamento del cablaggio assicurarsi che il cavo del regolatore principale sia collegato al connettore del relè.

Opzione 1: hydrotank alimentato tramite l'unità esterna
(Per l'uso di fonti indipendenti vedere il sito web Mitsubishi).

<Monofase>

Apporre l'etichetta A acclusa ai manuali accanto a ciascuno schema di cablaggio dell'hydrotank e delle unità esterne.



- *1. Se l'interruttore differenziale installato non è dotato di funzione di protezione da sovracorrente, installare un interruttore provvisto di tale funzione sulla stessa linea di alimentazione.
- *2. Deve essere previsto un interruttore differenziale con separazione dei contatti di almeno 3,0 mm in ciascun polo. Utilizzare un interruttore differenziale (NV). L'interruttore deve essere installato al fine di assicurare lo scollegamento di tutti i conduttori in fase attiva dell'alimentazione.
- *3. Max. 45 m
Se si utilizzano 2,5 mm², max. 50 m
Se si utilizzano 2,5 mm² con separazione S3, max. 80 m
- *4. I valori forniti nella tabella precedente non sono sempre misurati a fronte del valore della terra.

<Figura 4.4.1>
Collegamenti elettrici monofase

Descrizione	Alimentazione	Capacità	Interruttore differenziale	Cablaggio
Riscaldatore booster (circuito primario)	~N 230 V 50 Hz	2 kW	16 A *2	2,5 mm ²
		6 kW		
Riscaldatore a immersione (serbatoio ACS)	~N 230 V 50 Hz	3 kW	16 A *2	2,5 mm ²

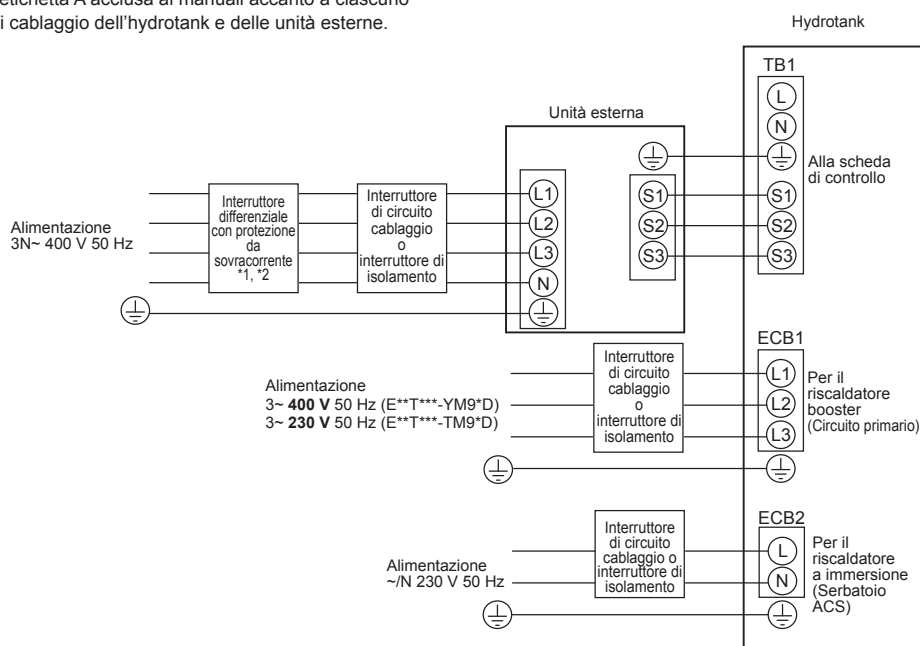
Cablaggio N° cablaggio x dimensioni (mm ²)	Hydrotank - Unità esterna	*3	3 x 1,5 (polarizzato)
	Hydrotank - Messa a terra unità esterna	*3	1 x min. 1,5
Tens. nominale circuito	Hydrotank - Unità esterna S1 - S2	*4	230 V CA
	Hydrotank - Unità esterna S2 - S3	*4	24 V CC

- Nota:**
1. Le dimensioni dei cablaggi devono essere conformi ai codici locali e nazionali vigenti.
 2. I cavi di collegamento unità interna/unità esterna non devono essere più leggeri dei cavi flessibili rivestiti in policloroprene (tipo 60245 IEC 57). I cavi di alimentazione dell'unità interna non devono essere più leggeri dei cavi flessibili rivestiti in policloroprene (tipo 60227 IEC 53).
 3. Installare un cavo di terra più lungo degli altri cavi.
 4. Mantenere una capacità di uscita in termini alimentazione sufficiente per ogni riscaldatore. Una capacità di alimentazione insufficiente potrebbe causare battimenti.

4 Installazione

<Trifase>

Apporre l'etichetta A acclusa ai manuali accanto a ciascuno schema di cablaggio dell'hydrotank e delle unità esterne.



<Figura 4.4.2>
Collegamenti elettrici trifase

Descrizione	Alimentazione	Capacità (refrigerante unità interna)	Interruttore differenziale	Cablaggio
Riscaldatore booster (circuito primario)	3~ 400 V 50 Hz	9 kW	16 A *2	2,5 mm ²
Riscaldatore a immersione (serbatoio ACS)	3~ 230 V 50 Hz	9 kW	32 A *2	6,0 mm ²
	~N 230 V 50 Hz	3 kW	16 A *2	2,5 mm ²

Cablaggio N° cablaggio x dimensioni (mm ²)	Hydrotank - Unità esterna	*3	3 x 1,5 (polarizzato)
	Hydrotank - Messa a terra unità esterna	*3	1 x min. 1,5
Tensione nominale circuito	Hydrotank - Unità esterna S1 - S2	*4	230 V CA
	Hydrotank - Unità esterna S2 - S3	*4	24 V CC

- *1. Se l'interruttore differenziale installato non è dotato di funzione di protezione da sovracorrente, installare un interruttore provvisto di tale funzione sulla stessa linea di alimentazione.
- *2. Deve essere previsto un interruttore differenziale con separazione dei contatti di almeno 3,0 mm in ciascun polo. Utilizzare un interruttore differenziale (NV). L'interruttore deve essere installato al fine di assicurare lo scollegamento di tutti i conduttori in fase attiva dell'alimentazione.
- *3. Max. 45 m
Se si utilizzano 2,5 mm², max. 50 m
Se si utilizzano 2,5 mm² con separazione S3, max. 80 m
- *4. I valori forniti nella tabella precedente non sono sempre misurati a fronte del valore della terra.

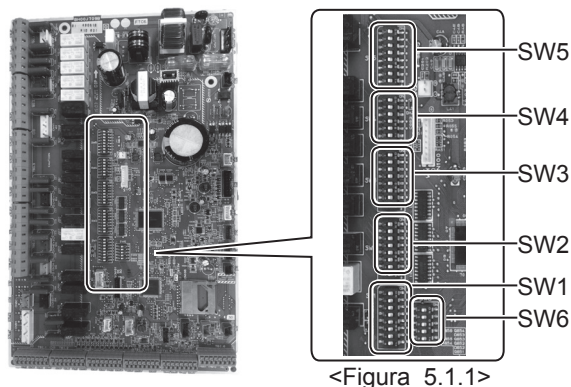
- Nota:**
1. Le dimensioni dei cablaggi devono essere conformi ai codici locali e nazionali vigenti.
 2. I cavi di collegamento unità interna/unità esterna non devono essere più leggeri dei cavi flessibili rivestiti in policloroprene (tipo 60245 IEC 57). I cavi di alimentazione dell'unità interna non devono essere più leggeri dei cavi flessibili rivestiti in policloroprene (tipo 60227 IEC 53).
 3. Installare un cavo di terra più lungo degli altri cavi.
 4. Mantenere una capacità di uscita in termini alimentazione sufficiente per ogni riscaldatore. Una capacità di alimentazione insufficiente potrebbe causare battimenti.

5 Configurazione dell'impianto

5.1 Funzioni dei dip switch

Il numero del dip switch è stampato sulla scheda elettronica accanto all'interruttore corrispondente. Sulla scheda elettronica e sul blocco del dip switch stesso è stampata la dicitura ON (attivo). Per spostare l'interruttore è necessario utilizzare un perno, l'angolo di un righello metallico sottile o simili.

Le impostazioni dei dip switch sono elencate di seguito nella Tabella 5.1.1. Solo un installatore autorizzato può modificare l'impostazione dei DIP switch sotto la propria responsabilità in base alle condizioni dell'installazione. Assicurarsi di spegnere sia l'unità interna, sia l'unità esterna prima di modificare le impostazioni dei dip switch.



<Figura 5.1.1>

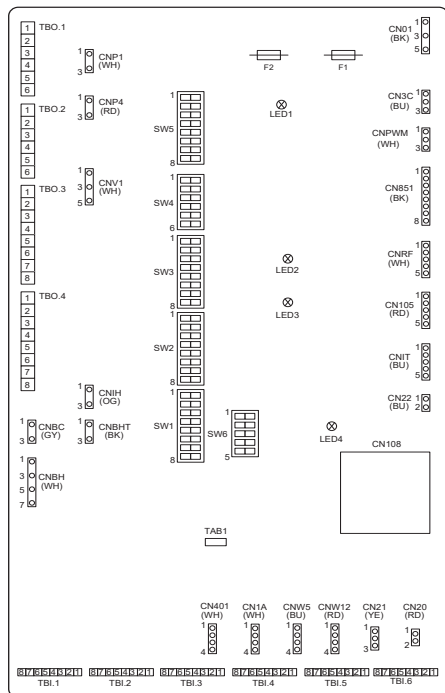
Dip switch	Funzione	OFF	ON	Impostazioni predefinite: modello con unità interna				
SW1	SW1-1 Caldaia	SENZA caldaia	CON caldaia	OFF				
	SW1-2 Temperatura massima acqua in uscita dalla pompa di calore	55°C	60°C	ON *1				
	SW1-3 Serbatoio ACS	SENZA serbatoio ACS	CON serbatoio ACS	ON				
	SW1-4 Riscaldatore a immersione	SENZA riscaldatore a immersione	CON riscaldatore a immersione	OFF: tranne EHPT20X-MHEDW ON : EHPT20X-MHEDW				
	SW1-5 Riscaldatore booster	SENZA riscaldatore booster	CON riscaldatore booster	OFF: E**T***-M*ED* ON : E**T***-M 2/6/9*D				
	SW1-6 Funzione riscaldatore booster	Solo riscaldamento	Riscaldamento e ACS	OFF: E**T***-M*ED* ON : E**T***-M 2/6/9*D				
	SW1-7 Tipo unità esterna	Tipo split	Tipo monoblocco	OFF: E*ST***-M**D ON : E*PT**X-*M**D*				
	SW1-8 Comando remoto senza fili	SENZA comando remoto senza fili	CON comando remoto senza fili	OFF				
SW2	SW2-1 Modifica logica ingresso termostato ambiente 1 (IN1)	Arresto funzionamento zona1 a termostato chiuso	Arresto funzionamento zona1 a termostato aperto	OFF				
	SW2-2 Modifica logica ingresso flussostato1 (IN2)	Rilevamento guasti se chiuso	Rilevamento guasti se aperto	OFF				
	SW2-3 Limitazione capacità riscaldatore booster	Non attivato	Attivo	OFF: tranne E**T***-VM2*D ON : E**T***-VM2*D				
	SW2-4 Funzione modo raffreddamento	Non attivato	Attivo	OFF: EH*T***-M**D* ON : ER*T***-M**D				
	SW2-5 Commutazione automatica al funzionamento con le sorgenti di calore di supporto (in caso di arresto dell'unità esterna dovuto a errore)	Non attivato	Attivo *2	OFF				
	SW2-6 Serbatoio di miscelazione	SENZA serbatoio di miscelazione	CON serbatoio di miscelazione	OFF				
	SW2-7 Controllo della temperatura a due zone	Non attivato	Attivo *6	OFF				
	SW2-8 Flussometro	SENZA flussometro	CON flussometro	ON				
SW3	SW3-1 Modifica logica ingresso termostato ambiente 2 (IN6)	Arresto funzionamento zona2 a termostato chiuso	Arresto funzionamento zona2 a termostato aperto	OFF				
	SW3-2 Modifica logica ingresso flussostato 2 (IN3)	Rilevamento guasti se chiuso	Rilevamento guasti se aperto	OFF				
	SW3-3 Tipo di valvola a 3 vie	Motore CA	Motore a passo	OFF: tranne E**T17X/17D/20D-*M**D* ON: E**T17X/17D/20D-*M**D				
	SW3-4 Misuratore di energia elettrica	SENZA misuratore di energia elettrica	CON misuratore di energia elettrica	OFF				
	SW3-5 Funzione modo riscaldamento *3	Non attivato	Attivo	ON				
	SW3-6 Controllo attivato (ON)/disattivato (OFF) della valvola a 2 zone	Non attivato	Attivo	OFF				
	SW3-7 Scambiatore di calore per ACS	"Coil in tank"	Piastra esterna HEX	ON				
	SW3-8 Misuratore di calore	SENZA misuratore di calore	CON misuratore di calore	OFF				
SW4	SW4-1	—	—	OFF				
	SW4-2	—	—	OFF				
	SW4-3	—	—	OFF				
	SW4-4 Funzionamento solo unità interna (durante lavoro di installazione) *4	Non attivato	Attivo	OFF				
	SW4-5 Modo emergenza (funzionamento solo riscaldatore)	normale	Modo emergenza (funzionamento solo riscaldatore)	OFF *5				
	SW4-6 Modo emergenza (funzionamento caldaia)	Normale	Modo emergenza (funzionamento caldaia)	OFF *5				
SW5	SW5-1	—	—	OFF				
	SW5-2 Adattamento automatico avanzato	Non attivato	Attivo	ON				
	SW5-3	Codice di capacità						
	SW5-4		SW5-3	SW5-4	SW5-5	SW5-6	SW5-7	
	SW5-5	E**T**C-*M**D	ON	ON	ON	ON	OFF	
	SW5-6	E**T**D-*M**D	ON	OFF	OFF	ON	OFF	
	SW5-7	E**T**X-*M**D*	OFF	OFF	OFF	OFF	OFF	
	SW5-8	—	—	—	—	—	—	OFF
SW6	SW6-1	—	—	OFF				
	SW6-2	—	—	OFF				
	SW6-3 Sensore di pressione	Inaktiv	Aktiv	OFF: Ausgenommen E*ST**D-*M**D ON: E*ST**D-*M**D				
	SW6-4 Segnale uscita analogica (0-10 V)	Non attivato	Attivo	OFF				
	SW6-5	—	—	—	OFF			

<Tabella 5.1.1>

- Nota:**
- *1. Quando l'hydrotank è collegato a un'unità esterna PUMY-P con temperatura massima dell'acqua in uscita pari a 55°C, il dip SW1-2 deve essere modificato su OFF.
 - *2. Sarà disponibile l'uscita esterna (OUT11). Per motivi di sicurezza questa funzione non è disponibile per alcuni errori (in questo caso, il funzionamento dell'impianto deve essere arrestato e solo la pompa di circolazione dell'acqua rimane in funzione).
 - *3. Questo interruttore funziona solo quando l'hydrotank è collegato a un'unità esterna Puhz-FRP. In caso di collegamento di unità esterne di altro tipo, la funzione modo riscaldamento è attiva indipendentemente dal posizionamento dell'interruttore su ON o su OFF.
 - *4. Il riscaldamento e l'ACS possono essere messi in funzione solo nell'unità interna, come un riscaldatore elettrico. (Consultare "5.4 Funzionamento solo unità interna".)
 - *5. Se il modo emergenza non è più richiesto, riportare l'interruttore su OFF.
 - *6. Attivo solo quando SW3-6 è impostato su OFF.

5 Configurazione dell'impianto

5.2 Collegamento di ingressi/uscite



<Figura 5.2.1>

Specifiche di cavi e componenti di fornitura locale

Componente	Nome	Modello e specifiche
Funzione ingresso del segnale	Cavo del segnale di ingresso	Utilizzare un cavo schermato ricoperto in materiale vinilico. Max. 30 m Tipo di cavo: CV, CVS o equivalente Dimensioni cavi: cavo intrecciato da 0,13 mm ² a 0,52 mm ² Cavo unipolare: da \varnothing 0,4 mm a \varnothing 0,8 mm
	Interruttore	Segnali di contatto "a" senza tensione Interruttore remoto: carico minimo applicabile 12 V CC, 1 mA

Nota:
Il cavo intrecciato deve essere provvisto di terminale a barra con copertura isolante (di tipo compatibile con lo standard DIN46228-4).

Ingressi dei segnali

Nome	Morsettiera	Connettore	Componente	OFF (aperto)	ON (chiuso)
IN1	TBI.1 7-8	—	Ingresso termostato ambiente 1 *1	Fare riferimento a SW2-1 in <5.1 Funzioni dei dip switch>.	
IN2	TBI.1 5-6	—	Ingresso flussostato 1	Fare riferimento a SW2-2 in <5.1 Funzioni dei dip switch>.	
IN3	TBI.1 3-4	—	Ingresso flussostato 2 (zona1)	Fare riferimento a SW3-2 in <5.1 Funzioni dei dip switch>.	
IN4	TBI.1 1-2	—	Ingresso controllo richiesta	normale	Sorgente di calore OFF/Funzionamento caldaia *3
IN5	TBI.2 7-8	—	Ingresso termostato esterno *2	Funzionamento standard	Funzionamento riscaldatori/Funzionamento caldaia *3
IN6	TBI.2 5-6	—	Ingresso termostato ambiente 2 *1	Fare riferimento a SW3-1 in <5.1 Funzioni dei dip switch>.	
IN7	TBI.2 3-4	—	Ingresso flussostato 3 (zona 2)	Fare riferimento a SW3-2 in <5.1 Funzioni dei dip switch>.	
IN8	TBI.3 7-8	—	Misuratore di energia elettrica 1	*4	
IN9	TBI.3 5-6	—	Misuratore di energia elettrica 2		
IN10	TBI.2 1-2	—	Misuratore di calore		
IN11	TBI.3 3-4	—	Ingresso Smart grid ready	*5	
IN12	TBI.3 1-2	—			
INA1	TBI.4 1-3	CN1A	Flussometro	—	—

- *1. Impostare il tempo di attesa tra accensione e spegnimento del termostato della stanza su almeno 10 minuti; in caso contrario, si potrebbe danneggiare il compressore.
- *2. Se si utilizza il termostato esterno per il controllo del funzionamento dei riscaldatori la vita utile dei riscaldatori e dei componenti correlati può risultare ridotta.
- *3. Per attivare il funzionamento della caldaia utilizzare il regolatore principale per selezionare "caldaia" nella schermata "Impostaz.inserim.esterno" nel menu del servizio tecnico.
- *4. Misuratore di energia elettrica collegabile e misuratore di calore
 - Tipo a impulso Contatto pulito per rilevamento 12 V CC di FTC (TBI.2 1 pin, TBI.3 5 e 7 pin sono a tensione positiva).
 - Durata dell'impulso Tempo minimo di attivazione (ON): 40 ms
Tempo minimo di disattivazione (OFF): 100 ms
 - Unità di impulso possibile 0,1 impulso/kWh 1 impulso/kWh 10 impulso/kWh
100 impulso/kWh 1000 impulso/kWh

Questi valori possono essere impostati dal regolatore principale. (Consultare la struttura del menu in "Regolatore principale".)

*5. Per quanto riguarda Smart grid ready, consultare il paragrafo "5.5 Smart grid ready".

Ingressi dei termistori

Nome	Morsettiera	Connettore	Componente	Modello componente opzionale
TH1	—	CN20	Termistore (temp. ambiente) Opzione	PAC-SE41TS-E
TH2	—	CN21	Termistore (temp. liquido refr.)	—
THW1	—	CNW12 1-2	Termistore (temp. flusso acqua)	—
THW2	—	CNW12 3-4	Termistore (temp. acqua di ritorno)	—
THW5A	—	CNW5 1-2	Termistore (temp. acqua super. serbatoio ACS)	—
THW5B	—	CNW5 3-4	Termistore (temp. acqua infer. serbatoio ACS)	—
THW6	TBI.5 7-8	—	Termistore (temp. flusso acqua zona 1) (opzionale) *1	PAC-TH011-E
THW7	TBI.5 5-6	—	Termistore (temp. acqua di ritorno zona 1) (opzionale) *1	
THW8	TBI.5 3-4	—	Termistore (temp. flusso acqua zona 2) (opzionale) *1	PAC-TH011-E
THW9	TBI.5 1-2	—	Termistore (temp. acqua di ritorno zona 2) (opzionale) *1	
THWB1	TBI.6 7-8	—	Termistore (temp. flusso acqua caldaia) (opzionale) *1	PAC-TH012HT-E(5 m)/
THW10	TBI.6 5-6	—	Termistore (temp. acqua serbatoio di miscelazione) (opzionale) *1	PAC-TH012HTL-E(30 m)

Assicurarsi di collegare i cablaggi del termistore lontano dalla linea di alimentazione e/o OUT1 a 16 cablaggi.

*1. La lunghezza massima del cablaggio del termistore è di 30 m.

La lunghezza dei termistori opzionali è di 5 m. Se è necessario eseguire giunte sui cablaggi per allungarli, si devono eseguire i passaggi riportati di seguito.

- 1) Collegare i cablaggi mediante saldatura.
- 2) Proteggere i singoli punti di collegamento da polvere e acqua. Il cavo intrecciato deve essere provvisto di terminale a barra con copertura isolante (di tipo compatibile con lo standard DIN46228-4).

5 Configurazione dell'impianto

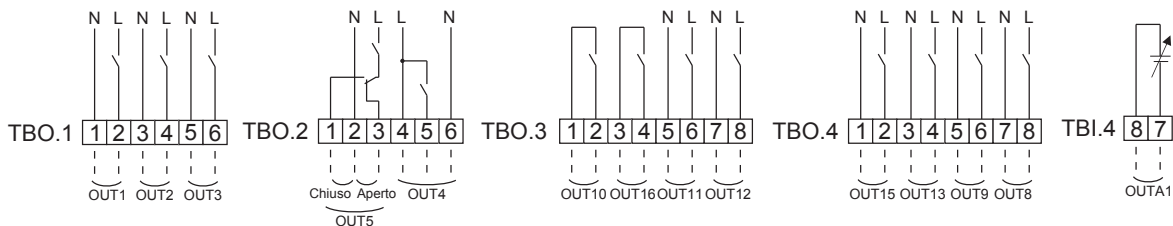
Uscite

Nome	Morsettieria	Connettore	Componente	OFF	ON	Segnale/corrente massima	Corrente max. totale
OUT1	TBO.1 1-2	CNP1	Uscita pompa di circolazione dell'acqua 1 (Riscaldamento/raffreddamento e ACS)	OFF	ON	230 V CA 1,0 A max. (Corrente di spunto 40 A max.)	4,0 A (a)
OUT2	TBO.1 3-4	—	Uscita pompa di circolazione dell'acqua 2 (Riscaldamento/raffreddamento per la zona 1)	OFF	ON	230 V CA 1,0 A max. (Corrente di spunto 40 A max.)	
OUT3	TBO.1 5-6	—	Uscita pompa di circolazione dell'acqua 3 (Riscaldamento/raffreddamento per la zona 2) *1 Uscita valvola a 2 vie 2b *2	OFF	ON	230 V CA 1,0 A max. (Corrente di spunto 40 A max.)	
OUT14	—	CNP4	Uscita pompa di circolazione dell'acqua 4 (ACS)	OFF	ON	230 V CA 1,0 A max. (Corrente di spunto 40 A max.)	3,0 A (b)
OUT4	TBO.2 4-6	CNV1	Uscita valvola a 3 vie (valvola a 2 vie)	riscald.	ACS	230 V CA 0,1 A max.	
	—	CN851	Uscita valvola a 3 vie				
OUT5	TBO.2 1-2 TBO.2 2-3	—	Uscita valvola di miscelazione *1	Arresto	Chiuso Aperto	230 V CA 0,1 A max.	
OUT6	—	CNBH 1-3	Uscita riscaldatore booster 1	OFF	ON	230 V CA 0,5 A max. (relè)	3,0 A (b)
OUT7	—	CNBH 5-7	Uscita riscaldatore booster 2	OFF	ON	230 V CA 0,5 A max. (relè)	
OUT8	TBO.4 7-8	—	Uscita segnale di raffreddamento	OFF	ON	230 V CA 0,5 A max.	
OUT9	TBO.4 5-6	CNIH	Uscita riscaldatore a immersione	OFF	ON	230 V CA 0,5 A max. (relè)	3,0 A (b)
OUT11	TBO.3 5-6	—	Uscita errore	normale	Errore	230 V CA 0,5 A max.	
OUT12	TBO.3 7-8	—	Uscita sbrinamento	normale	Sbrinamento	230 V CA 0,5 A max.	
OUT13	TBO.4 3-4	—	Uscita valvola a 2 vie 2a *2	OFF	ON	230 V CA 0,1 A max.	3,0 A (b)
OUT15	TBO.4 1-2	—	Segnale Comp ON	OFF	ON	230 V CA 0,5 A max.	
OUT10	TBO.3 1-2	—	Uscita caldaia	OFF	ON	Contatto senza tensione ·220 - 240 V CA (30 V CC) ·0,5 A o inferiore ·almeno 10 mA 5 V CC	
OUT16	TBO.3 3-4	—	Segnale termo riscald./Raffr. attivo	OFF	ON		—
OUTA1	TBI.4 7-8	—	Uscita analogica	0-10 V		0-10 V DC 5 mA max.	—

Non effettuare collegamenti ai terminali indicati con "—" nel campo "Morsettieria".

*1 Per il controllo della temperatura a due zone.

*2 Per controllo attivato (ON)/disattivato (OFF) della valvola a 2 zone.



Specifiche di cavi e componenti di fornitura locale

Componente	Nome	Modello e specifiche
Funzione di uscita esterna	Cavo di uscita	Utilizzare un cavo schermato ricoperto in materiale vinilico. Max. 30 m Tipo di cavo: CV, CVS o equivalente Dimensioni cavi: cavo intrecciato da 0,25 mm ² a 1,5 mm ² Cavo unipolare: da ø 0,57 mm a ø 1,2 mm

Modo d'uso TBO.1-4



Collegarli con uno dei metodi illustrati in alto.

<Figura 5.2.2>

Nota:

- Quando l'hydrotank è alimentato tramite l'unità esterna, la corrente totale massima di (a)+(b) è 3,0 A.
- Non collegare più pompe di circolazione dell'acqua direttamente a ogni uscita (OUT1, OUT2 e OUT3). In questo caso collegarle tramite uno o più relè.
- Non collegare le pompe di circolazione dell'acqua sia a TBO.1 1-2 sia a CNP1 al contempo.
- Collegare un limitatore di sovratensione idoneo a OUT10 (TBO.3 1-2) a seconda del carico del sito.
- Il cavo intrecciato deve essere trattato con terminale a barra con copertura isolante (di tipo compatibile con lo standard DIN46228-4).
- Utilizzare lo stesso elemento del cavo del segnale di ingresso del cablaggio OUTA1.

5.3 Cablaggio per il controllo della temperatura a 2 zone

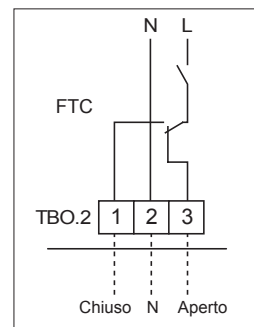
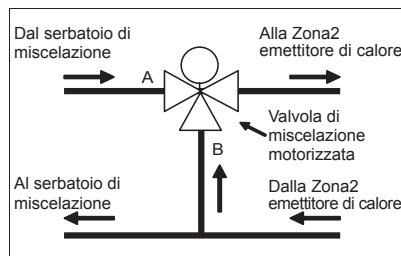
Collegare le tubazioni e i componenti in dotazione sul campo in base allo schema del relativo circuito mostrato nella sezione 3 "Impianto locale" di questo manuale.

<Valvola di miscelazione>

Collegare la linea del segnale alla Porta A aperta (porta di entrata dell'acqua calda) a TBO. 2-3 (Aperto), la linea del segnale alla Porta B aperta (porta di entrata dell'acqua fredda) a TBO. 2-1 (Chiuso), e il cavo del terminale neutro a TBO. 2-2 (N).

<Termistore>

- Non installare i termistori sul serbatoio di miscelazione.
- Installare il termistore temperatura dell'acqua zona 2 (THW8) vicino alla valvola di miscelazione.
- La lunghezza massima del cablaggio del termistore è di 30 m.
- La lunghezza dei termistori opzionali è di 5 m. Se occorre eseguire giunte sui cablaggi per allungarli, eseguire i passaggi riportati di seguito.
 - Collegare i cablaggi mediante saldatura.
 - Proteggere i singoli punti di collegamento da polvere e acqua.



5 Configurazione dell'impianto

5.4 Funzionamento solo unità interna (durante lavoro di installazione)

In caso di necessaria priorità di funzionamento dell'ACS o del riscaldamento rispetto al collegamento dell'unità esterna, vale a dire durante il lavoro di installazione, è possibile utilizzare una resistenza elettrica nell'unità interna (*1).

*1 Solo modello con resistenza elettrica.

1. Per avviare il funzionamento

- Controllare che l'alimentazione dell'unità interna si trovi su OFF e posizionare i dip switch 4-4 e 4-5 su ON.
- Posizionare l'alimentazione dell'unità interna su ON.

2. Per arrestare il funzionamento *2

- Posizionare l'alimentazione dell'unità interna su OFF.
- Posizionare i dip switch 4-4 e 4-5 su OFF.

*2 All'arresto del funzionamento della sola unità interna, assicurarsi di controllare le impostazioni a collegamento dell'unità esterna avvenuto.

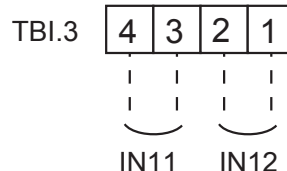
Nota:

L'esecuzione ripetuta nel tempo di questa operazione può compromettere la durata della resistenza elettrica.

5.5 Smart grid ready

Nel funzionamento ACS o in riscaldamento, è possibile utilizzare i comandi nella tabella seguente.

IN11	IN12	Significato
OFF (aperto)	OFF (aperto)	Funzionamento normale
ON (chiuso)	OFF (aperto)	Impostazione consigliata di accensione
OFF (aperto)	ON (chiuso)	Comando di spegnimento
ON (chiuso)	ON (chiuso)	Comando di accensione



5.6 Utilizzo della scheda di memoria SD

L'hydrotank è dotato di un'interfaccia per scheda di memoria SD nel regolatore FTC.

L'utilizzo di una scheda di memoria SD consente di semplificare le impostazioni del regolatore principale e di memorizzare registri di funzionamento. *1

*1 Per modificare le impostazioni del regolatore principale o per verificare i dati di funzionamento è necessario uno strumento di servizio Ecodan (da utilizzare con un computer).

<Precauzioni per la manipolazione>

- (1) Utilizzare una scheda di memoria SD conforme agli standard SD. Verificare che sulla scheda di memoria SD sia presente un logo tra quelli illustrati a destra.
- (2) Le schede di memoria SD conformi agli standard SD comprendono le schede di memoria SD, SDHC, mini SD, micro SD e micro SDHC. Le capacità disponibili arrivano a 32 GB. Scegliere una scheda con una temperatura massima consentita di 55 °C.
- (3) Se la scheda di memoria SD utilizzata è una mini SD, mini SDHC, micro SD o micro SDHC, utilizzare un adattatore convertitore per schede di memoria SD.
- (4) Prima di procedere alla scrittura sulla scheda di memoria SD rilasciare l'interruttore di protezione da scrittura.



- (5) Prima di inserire o estrarre una scheda di memoria SD, assicurarsi di spegnere l'impianto. L'inserimento o l'estrazione di una scheda di memoria SD mentre l'impianto è acceso possono causare la corruzione dei dati o danni alla scheda di memoria SD.

*La scheda di memoria SD continua a essere alimentata per un breve periodo dopo lo spegnimento dell'impianto. Prima di inserire o estrarre la scheda attendere che le spie LED sulla scheda di controllo del regolatore FTC siano tutte spente.

- (6) Le operazioni di lettura e scrittura sono state verificate con le schede di memoria indicate di seguito; queste operazioni tuttavia non sono sempre garantite, dal momento che le specifiche di queste schede di memoria SD potrebbero variare.

Fabbricante	Modello	Data test
Verbatim	N. 44015	Mar. 2012
SanDisk	SDSDB-002G-B35	Ott. 2011
Panasonic	RP-SDP04GE1K	Ott. 2011
Arvato	2GB PS8032 TSB 24nm MLC	Giu. 2012
Arvato	2GB PS8035 TSB A19nm MLC	Lug. 2014
SanDisk	SDSDUN-008G-G46	Ott. 2016
Verbatim	N. 43961	Ott. 2016
Verbatim	N. 44018	Ott. 2016
VANTASTEK	VSDHC08	Sett. 2017

Prima di utilizzare una nuova scheda di memoria SD (compresa la scheda fornita con l'unità) verificare sempre che sia possibile effettuare in sicurezza operazioni di lettura e scrittura sulla scheda di memoria SD tramite il regolatore FTC.

<Verifica delle operazioni di lettura e scrittura>

- a) Verificare che il cablaggio di alimentazione dell'impianto sia eseguito correttamente. Per ulteriori informazioni consultare la sezione 4.5. (Non accendere l'impianto a questo punto).
- b) Inserire una scheda di memoria SD.
- c) Accendere l'impianto.
- d) La spia LED4 si illumina se le operazioni di lettura e scrittura possono essere eseguite correttamente. Se la spia LED4 continua a lampeggiare o non si illumina, il regolatore FTC non è in grado di eseguire operazioni di lettura o scrittura sulla scheda di memoria SD.

- (7) Assicurarsi di seguire le istruzioni e i requisiti del fabbricante della scheda di memoria SD.
- (8) Formattare la scheda di memoria SD qualora al passaggio (6) sia risultato impossibile eseguire operazioni di lettura. In questo modo la scheda potrebbe diventare leggibile. Scaricare un programma di formattazione per schede di memoria SD dal sito seguente. Home page di SD Association: <https://www.sdcard.org/home/>
- (9) Il regolatore FTC supporta il file system FAT ma non il file system NTFS.
- (10) Mitsubishi Electric non è responsabile, in tutto o in parte, di eventuali danni, comprese la mancata scrittura su una scheda di memoria SD e la corruzione e perdita di dati salvati o simili. Eseguire un backup dei dati secondo necessità.
- (11) Non toccare alcun componente elettronico sulla scheda di controllo del regolatore FTC quando si inserisce o si estrae una scheda di memoria SD per evitare malfunzionamenti della scheda di controllo.

Loghi
Capacità
Da 2 GB a 32 GB *2
Classi di velocità SD
Tutte

- Il logo SD è un marchio di SD-3C, LLC.
- Il logo mini SD è un marchio di SD-3C, LLC.
- Il logo micro SD è un marchio di SD-3C, LLC.

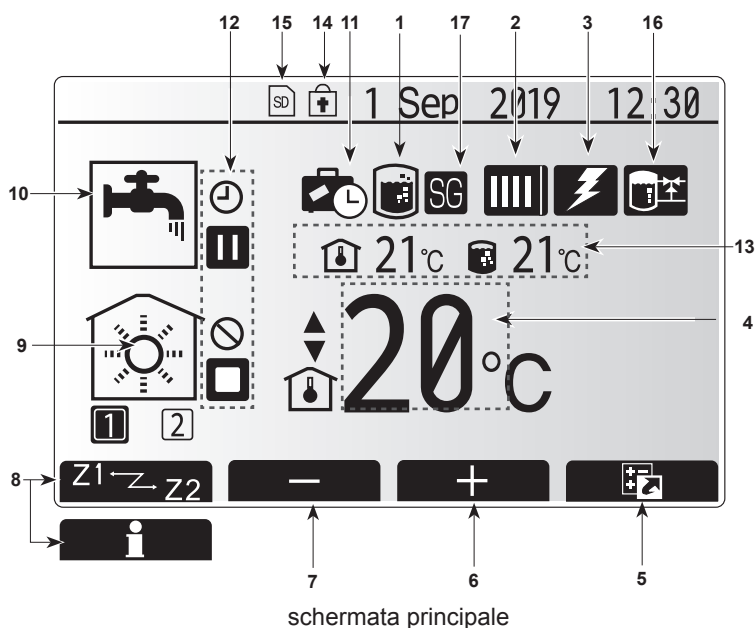
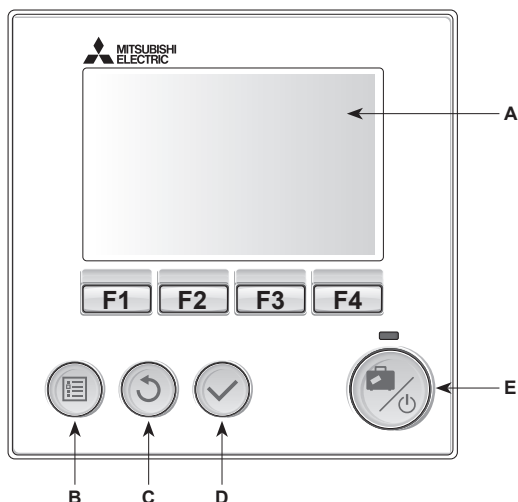
*2 Una scheda di memoria SD da 2 GB consente di memorizzare i registri di funzionamento per un periodo fino a 30 giorni.

5 Configurazione dell'impianto

5.7 Regolatore principale

Per qualsiasi modifica alle impostazioni dell'impianto di riscaldamento/raffreddamento, utilizzare il regolatore principale installato sul pannello anteriore dell'hydrotank o dell'hydrobox. Di seguito è riportata una guida per la visualizzazione delle impostazioni principali. Per maggiori informazioni, rivolgersi al proprio installatore o al concessionario Mitsubishi Electric locale.

Il modo raffreddamento è disponibile solo nella serie ERS. Se, tuttavia, l'unità interna è collegata a PUHZ-FRP, il modo raffreddamento non è disponibile.



schermata principale

<Componenti del regolatore principale>

Lettera	Nome	Funzione
A	Schermo	Display su cui sono visualizzate tutte le informazioni.
B	Menu	Accesso alle impostazioni dell'impianto per la configurazione iniziale e le modifiche.
C	Indietro	Ritorno al menu precedente.
D	Conferma	Consente di selezionare o salvare. (Tasto Invio)
E	Alimentazione/ Vacanza	Se spento, l'impianto viene acceso con una pressione di questo tasto. Una seconda pressione quando l'impianto è acceso abilita il modo Vacanza. Tenendo premuto il tasto per 3 secondi l'impianto si spegne. (*1)
F1-4	Tasti funzione	Consentono di scorrere il menu e regolare le impostazioni. La funzione è determinata dalla schermata di menu visibile sullo schermo A.

*1

Quando l'impianto è spento o l'alimentazione è scollegata, le funzioni di protezione dell'hydrotank (ad esempio la funzione antigelo) NON sono operative.

Tenere presente che, con queste funzioni di sicurezza disabilitate, l'hydro-tank potrebbe essere esposto a potenziali danni.

<Icone della schermata principale>

	Icona	Descrizione
1	Prevenzione legionella	Quando si visualizza quest'icona il "modo Prevenzione legionella" è attivo.
2	Pompa calore	La pompa di calore è in funzione.
		Sbrinamento.
		Riscaldamento di emergenza.
		"Modalità silenziosa" attivata.
3	Resistenza elettrica	Quando si visualizza quest'icona le resistenze elettriche (riscaldatore booster o a immersione) sono in uso.
4	Temperatura target	Temperatura target dell'acqua
		Temperatura ambiente target
		curva di compensazione
5	OPZIONE	Premendo il tasto funzione sotto quest'icona si visualizza la schermata delle opzioni.
6	+	Aumento della temperatura al valore desiderato.
7	-	Diminuzione della temperatura al valore desiderato.
8	Z1-Z2	Premendo il tasto funzione sotto quest'icona è possibile passare dalla zona 1 alla zona 2 e viceversa.
		Informazioni
9	Modo riscaldamento/raffreddamento	Modo riscaldamento Zona1 o zona2
		Modo raffreddamento Zona1 o zona2
10	Modo ACS	Modo Normale o ECO
11	Modo Vacanza	Quando si visualizza quest'icona il modo Vacanza è attivato.
12	Timer	
	Proibito	
	Controllo del server	
	Stand-by	
	Stand-by (*2)	
	Arresto	
	In funzione	
13	Temperatura corrente	Temperatura ambiente corrente
		Temperatura corrente dell'acqua del serbatoio ACS
14		Il tasto Menu è bloccato o il passaggio dai modi di funzionamento ACS e Riscaldamento è disabilitato nella schermata Opzione.(*3)
15	SD	Scheda di memoria SD inserita. Funzionamento normale.
		Scheda di memoria SD inserita. Funzionamento anomalo.
16	Controllo serbatoio di riserva	Quando si visualizza questa icona, il "Controllo serbatoio di riserva" è attivo.
17	Smart grid ready	Quando si visualizza questa icona, "Smart grid ready" è attivo.

*2 Questa unità si trova in Stand-by mentre altre unità interne sono operative per ragioni di priorità.

*3 Per bloccare o sbloccare il Menu, premere contemporaneamente i tasti BACK e CONFERMA per 3 secondi.

5 Configurazione dell'impianto

■ [Wizard impostazioni iniziali]

Alla prima accensione del regolatore principale remoto, viene visualizzata automaticamente la schermata di impostazione della lingua, la schermata di impostazione data/ora e la schermata del menu delle impostazioni principali, nell'ordine. Inserire il numero desiderato utilizzando i tasti funzione e premere CONFERMA.

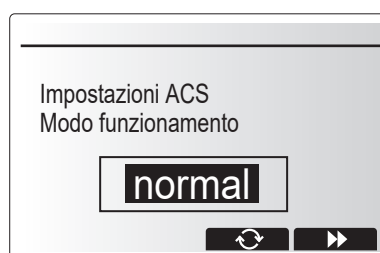
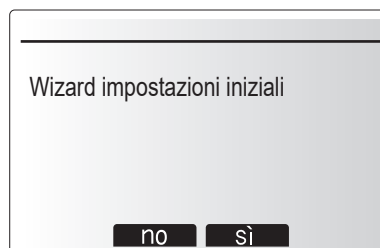
Nota:

<RESTRIZ. POT. RES. ELETTRICA>

Questa impostazione limita la capacità riscald. booster. NON è possibile modificare questa impostazione dopo l'avvio.

Se per il paese dell'utente non è necessario nessun requisito speciale (come per esempio le normative edilizie), saltare questa impostazione (selezionare "No").

- [acqua calda sanitaria (ACS/anti-legionella)]
- [Riscaldamento]/[Raffreddamento]
- [Modo funzionamento (ON/proibito/timer)]
- [velocità pompa]
- [Limiti portata acqua PdC]
- [controllo valvola miscelaz.]
- [Restriz. Pot. Res.elettrica]



■ Menu delle impostazioni principali

Per accedere al menu delle impostazioni principali, premere il tasto MENU. Per ridurre il rischio che utenti finali privi di formazione adeguata modifichino accidentalmente le impostazioni sono previsti due livelli di accesso alle impostazioni principali, e il menu della sezione del servizio tecnico è protetto con password.

Livello utente: pressione breve

Se si preme una volta il tasto MENU per un tempo breve si visualizzano le impostazioni principali, senza però la funzione di modifica. Questo consente all'utente di visualizzare le impostazioni correnti ma **NON DI** modificare i parametri.

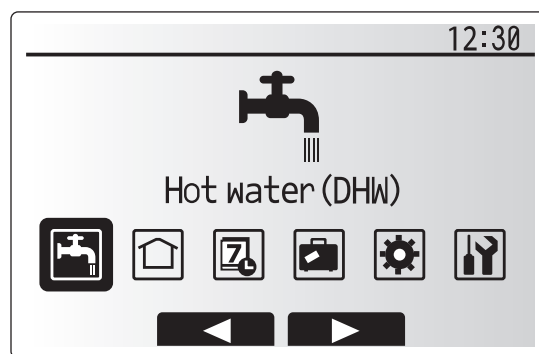
Livello installatore: pressione prolungata

Se si preme il tasto MENU per 3 secondi vengono visualizzate le impostazioni principali con tutte le funzionalità disponibili.

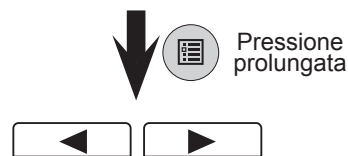
Il colore dei tasti ◀▶ viene invertito, come indicato nella figura a destra.<Figura 5.7.1>

È possibile visualizzare e/o modificare (a seconda del livello di accesso) le voci seguenti.

- [Acqua calda sanitaria (ACS)]
- [Riscaldamento/raffreddamento]
- [Timer programmazione]
- [Modo Vacanza]
- [Impostazioni iniziali]
- [Servizio tecnico (con protezione password)]



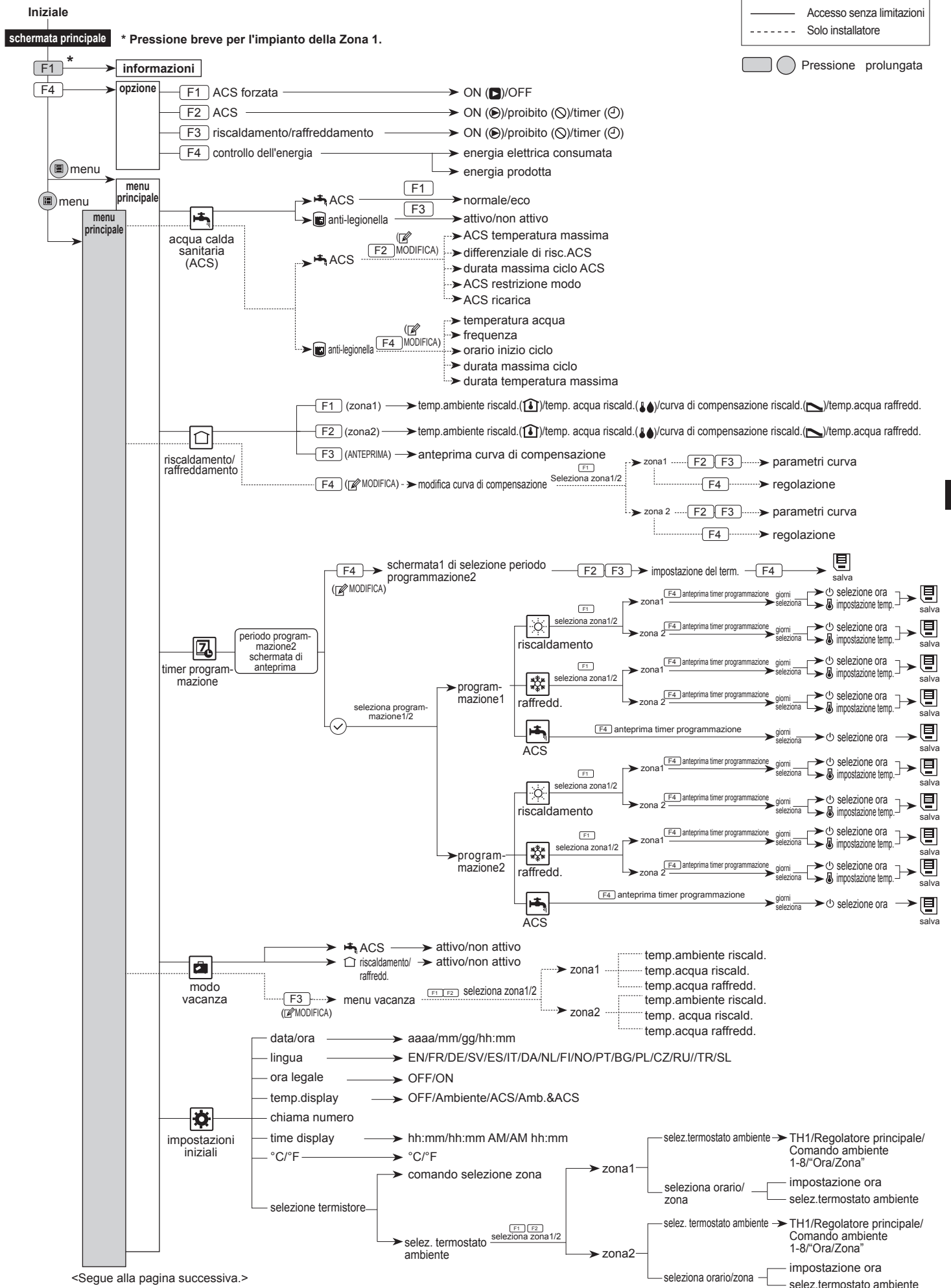
Menu principale



<Figura 5.7.1>

5 Configurazione dell'impianto

<Struttura del menu del regolatore principale>

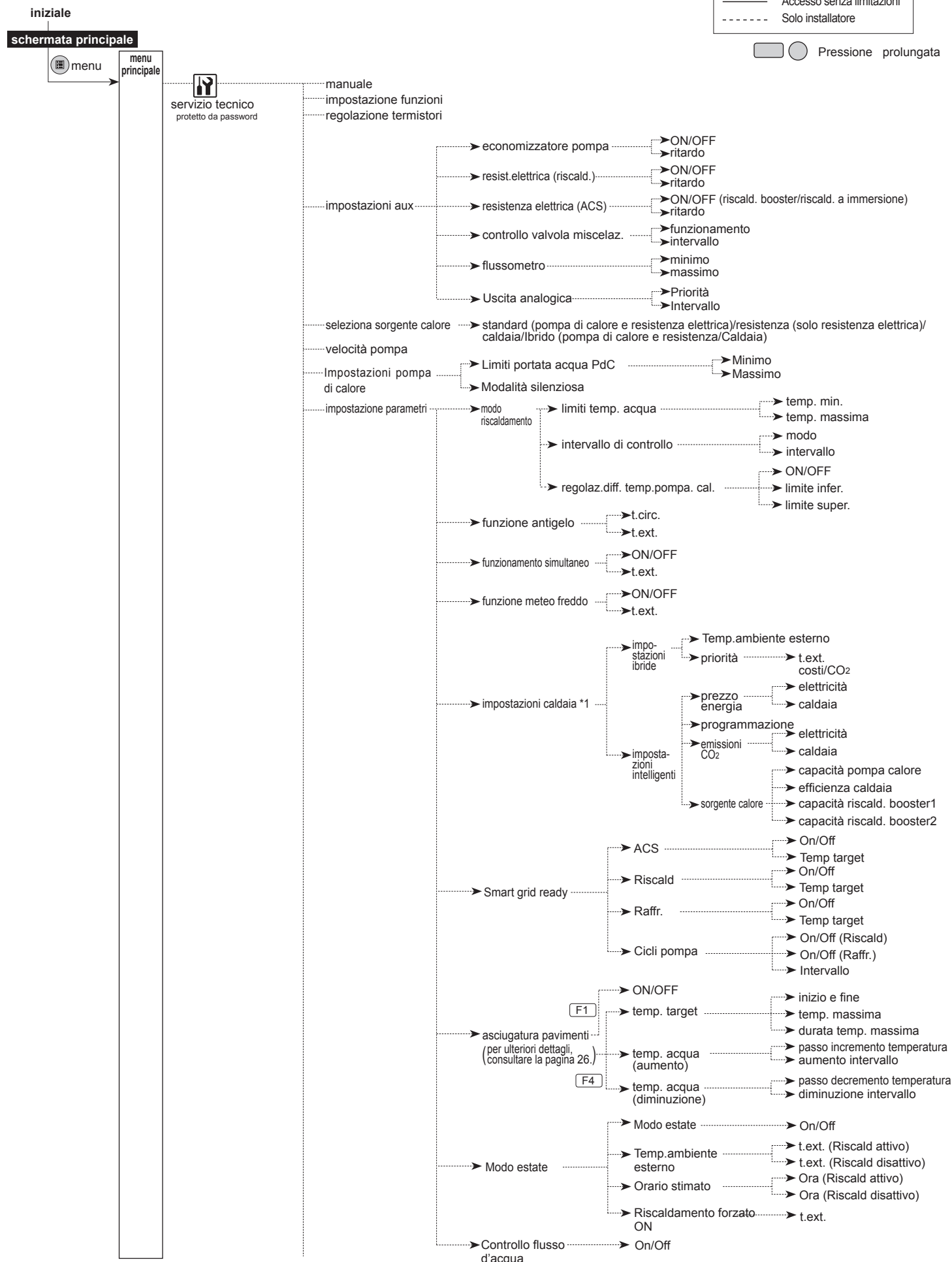


<Segue alla pagina successiva.>

5 Configurazione dell'impianto

<Segue dalla pagina precedente.>

<Struttura del menu del regolatore principale>



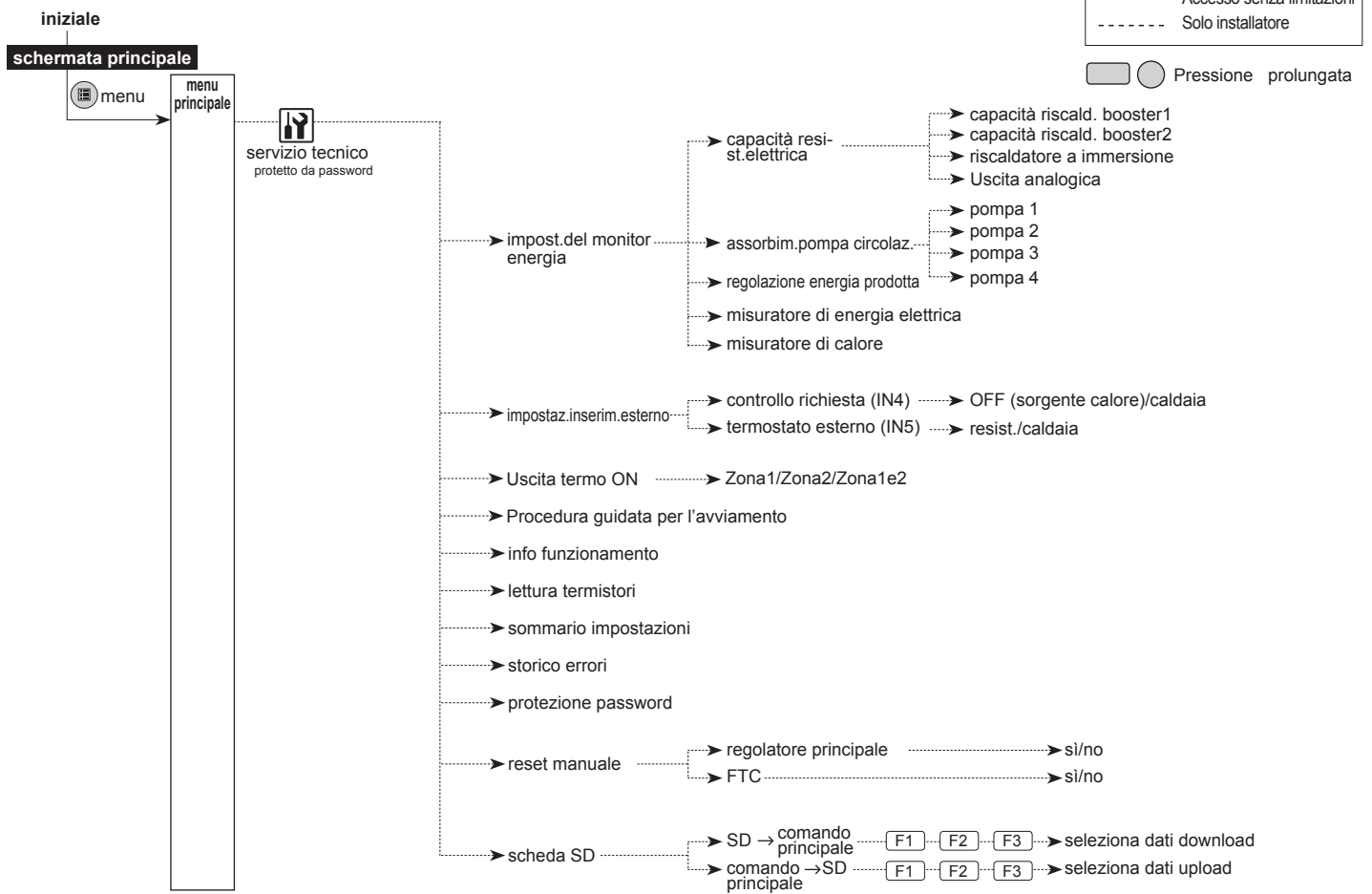
<Segue alla pagina successiva.>

*1 Per ulteriori informazioni consultare il manuale di installazione di PAC-TH012HT(L)-E.

5 Configurazione dell'impianto

<Segue dalla pagina precedente.>

<Struttura del menu del regolatore principale>



Acqua calda sanitaria/Prevenzione della legionella

I menu relativi all'acqua calda sanitaria e alla prevenzione della legionella controllano il funzionamento del riscaldamento del serbatoio ACS.

<Impostazioni del modo ACS>

1. Evidenziare l'icona dell'acqua calda sanitaria e premere CONFERMA.
2. Utilizzare il tasto F1 per passare dal modo riscaldamento Normale al modo ECO e viceversa.
3. Per modificare il modo, premere il tasto MENU per 3 secondi, quindi selezionare "acqua calda".
4. Premere il tasto F2 per visualizzare il menu HOTWATER (DHW) SETTING (impostazione dell'acqua calda (ACS)).
5. Utilizzare i tasti F2 e F3 per scorrere il menu selezionando di volta in volta ciascuna voce premendo CONFERMA. Per la descrizione di ciascuna impostazione vedere la tabella seguente.
6. Inserire il numero desiderato utilizzando i tasti funzione e premere CONFERMA.



Sottotitolo menu	Funzione	Intervallo	Unità	Valore predefinito
acs temperatura massima	Temperatura desiderata dell'acqua calda accumulata	40 - 60	°C	50
differenziale di risc.ACS	Differenza di temperatura tra la temperatura massima dell'ACS e la temperatura a cui viene riavviato il modo ACS	5 - 30 *	°C	10
durata massima ciclo ACS	Tempo massimo consentito per la durata del riscaldamento dell'acqua accumulata in modo ACS	30 - 120	min	60
acs restrizione modo	Il periodo di tempo dopo il modo ACS in cui il riscaldamento ha la priorità sul modo ACS impedendo temporaneamente l'ulteriore riscaldamento dell'acqua accumulata (Solo quando sia trascorso il tempo della durata massima del ciclo ACS.)	30 - 120	min	30

* Se la temperatura max. ACS è impostata sopra i 55°C, per proteggere l'apparecchio, la temperatura di riavvio del modo ACS deve essere inferiore a 50°C.

<Modo Eco>

Il modo ACS può operare in modo "Normale" o "Eco". Il modo Normale riscalda più velocemente l'acqua presente nel serbatoio ACS utilizzando la piena potenza della pompa di calore. Il modo Eco impiega tempi lievemente più lunghi per riscaldare l'acqua del serbatoio ACS ma l'energia utilizzata è minore. Ciò avviene perché il funzionamento della pompa di calore viene limitato mediante i segnali provenienti dal regolatore FTC in base alla temperatura misurata del serbatoio ACS.

Nota: l'energia effettivamente risparmiata in modo Eco varia a seconda della temperatura esterna.

<[ACS ricarica]>

Selezionare la quantità di ACS. Se occorre più acqua calda, selezionare GRANDE, ma aumenta i costi di gestione.

Tornare al menu ACS/Prevenzione della legionella.

5 Configurazione dell'impianto

Impostazioni del modo Prevenzione legionella (modo PL)

- Utilizzare il tasto F3 per scegliere SÌ/NO per l'attivazione del modo anti-legionella.
- Per modificare il modo anti-legionella, premere il tasto MENU per 3 secondi, selezionare "acqua calda", quindi premere il tasto F4.
- Utilizzare i tasti F1 e F2 per scorrere il menu selezionando di volta in volta ciascun sottotitolo premendo CONFERMA. Per la descrizione di ciascuna impostazione vedere la tabella seguente.
- Inserire il numero desiderato utilizzando i tasti funzione e premere CONFERMA.

Durante la modalità di prevenzione anti-legionella, la temperatura dell'acqua accumulata aumenta fino a superare i 60°C per inibire la proliferazione del batterio della legionella. Si consiglia vivamente di eseguire questa operazione a intervalli regolari. Consultare le normative locali per la frequenza consigliata di tali operazioni di riscaldamento.

Nota: In caso di malfunzionamento dell'hydrobox è possibile che il modo PL non funzioni normalmente.

Sottotitolo menu	Funzione	Intervallo	Unità	Valore predefinito
temperatura acqua	Temperatura desiderata dell'acqua calda sanitaria accumulata	60 - 70	°C	65
frequenza	Intervallo tra le operazioni di riscaldamento del serbatoio ACS in modo PL	1 - 30	giorni	15
orario inizio ciclo	Ora in cui viene attivato il modo PL	0:00 - 23:00	-	03:00
durata massima ciclo	Tempo massimo consentito per il riscaldamento del serbatoio ACS in modo PL	1 - 5	ore	3
durata temperatura massima	È stato raggiunto il periodo di tempo successivo alla temperatura dell'acqua desiderata del modo PL	1 - 120	min	30

Si noti che il modo PL utilizza l'ausilio di resistenze elettriche per integrare l'immissione di energia della pompa di calore. Il riscaldamento dell'acqua per periodi prolungati non è efficiente e aumenta i costi di gestione. L'installatore deve valutare con attenzione la necessità del trattamento per la prevenzione della legionella evitando sprechi di energia dovuti al riscaldamento dell'acqua accumulata per periodi eccessivi. L'utente finale deve comprendere l'importanza di questa funzione.

OSSERVARE SEMPRE LE LINEE GUIDA LOCALI E NAZIONALI DEL PAESE IN MATERIA DI PREVENZIONE DELLA LEGIONELLA.

Impostazioni iniziali

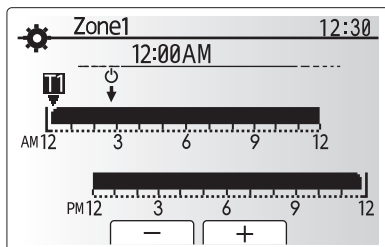
Dal menu Impostazioni iniziali l'installatore può impostare quanto segue.

- [Data/ora] *Accertarsi di impostarla sull'ora standard locale.
- [Lingua]
- [Ora legale]
- [Temp. display]
- [Chiama numero]
- [Time display]
- [°C/°F]
- [Selezione termistore]

Seguire la procedura descritta in Funzionamento generale per l'esecuzione della configurazione.

<[Selezione termistore]>

Per le impostazioni dei termistori è importante scegliere il termistore corretto in base al modo di riscaldamento in cui l'impianto è destinato a funzionare.



Schermata di impostazione della programmazione di ora/zona

Sottotitolo menu	Descrizione																					
comando selezione zona	Quando il controllo della temperatura a due zone è attivo e sono disponibili comandi remoti senza fili, dalla schermata Comando selezione zona selezionare il numero della zona da assegnare a ciascun comando remoto.																					
Selez.termistato ambiente	Dalla schermata selez. termostato ambiente, selezionare un termistore da utilizzare per il monitoraggio della temperatura ambiente della zona 1 e della zona 2 separatamente.																					
	<table border="1"> <thead> <tr> <th>Opzione di controllo (manuale del sito web)</th> <th colspan="2">Impostazioni iniziali corrispondenti - termistore</th> </tr> <tr> <td></td> <th>Zona 1</th> <th>Zona 2</th> </tr> </thead> <tbody> <tr> <td>A</td> <td>Comando 1-8 (uno per la Zona1 e uno per la Zona2)</td> <td>*1</td> </tr> <tr> <td>B</td> <td>th1</td> <td>*1</td> </tr> <tr> <td>C</td> <td>Regolatore principale</td> <td>*1</td> </tr> <tr> <td>D</td> <td>*1</td> <td>*1</td> </tr> <tr> <td>Quando vengono usati termistori diversi in base alla programmazione dell'orario</td> <td>Orario/Zona*2</td> <td>*1</td> </tr> </tbody> </table>	Opzione di controllo (manuale del sito web)	Impostazioni iniziali corrispondenti - termistore			Zona 1	Zona 2	A	Comando 1-8 (uno per la Zona1 e uno per la Zona2)	*1	B	th1	*1	C	Regolatore principale	*1	D	*1	*1	Quando vengono usati termistori diversi in base alla programmazione dell'orario	Orario/Zona*2	*1
Opzione di controllo (manuale del sito web)	Impostazioni iniziali corrispondenti - termistore																					
	Zona 1	Zona 2																				
A	Comando 1-8 (uno per la Zona1 e uno per la Zona2)	*1																				
B	th1	*1																				
C	Regolatore principale	*1																				
D	*1	*1																				
Quando vengono usati termistori diversi in base alla programmazione dell'orario	Orario/Zona*2	*1																				
	<p>*1. Non specificato (se si usa un termostato ambiente fornito localmente) Comando 1-8 (uno per la Zona1 e uno per la Zona2) (se si usa un comando remoto senza fili come termostato ambiente)</p> <p>*2. Dalla schermata selez.termostato ambiente, selezionare Orario/zona per consentire l'uso di termistori diversi secondo la programmazione oraria impostata nel menu Seleziona Orario/zona. I termistori possono essere commutati sino a 4 volte nell'arco di 24 ore.</p>																					

Menu [Servizio tecnico]

Il menu del servizio tecnico comprende funzioni destinate all'utilizzo da parte dell'installatore o del tecnico di servizio. NON è previsto che il proprietario dell'abitazione modifichi le impostazioni di questo menu. Questo è il motivo per cui è necessaria una protezione con password al fine di evitare un accesso non autorizzato alle impostazioni di servizio tecnico.

La password predefinita di fabbrica è "0000".

Seguire la procedura descritta in Funzionamento generale per l'esecuzione della configurazione.

Numerose funzioni non possono essere impostate durante il funzionamento dell'unità interna. L'installatore deve spegnere l'unità prima di procedere all'impostazione di queste funzioni. Se si tenta di modificare le impostazioni mentre l'unità è in funzione il regolatore principale visualizza un messaggio di promemoria che richiede all'installatore di arrestare il funzionamento prima di continuare. Selezionando "Sì" l'unità si spegne.

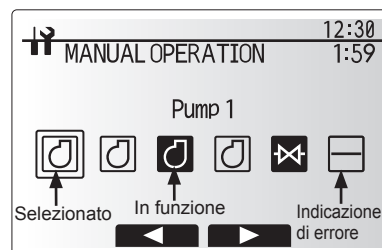
<[Manuale]>

Durante il riempimento dell'impianto è possibile escludere manualmente la pompa di circolazione del circuito primario e la valvola a 3 vie utilizzando il modo manuale.

Quando si seleziona il modo manuale sullo schermo viene visualizzata l'icona di un timer. Se selezionata, questa funzione resta in funzionamento manuale per 2 ore al massimo. Questo accorgimento ha lo scopo di evitare un'esclusione permanente non volontaria del regolatore FTC.

► Esempio

Premendo il tasto F3 viene attivato (ON) il modo manuale per la valvola a 3 vie principale. Al termine del riempimento del serbatoio ACS l'installatore deve accedere nuovamente a questo menu e premere F3 per disattivare il modo manuale del componente. In alternativa, dopo 2 ore il modo manuale viene disattivato e il regolatore FTC riprende il controllo dell'hydrotank.



Schermata del menu Manuale

5 Configurazione dell'impianto

Non è possibile selezionare il modo manuale e le sorgenti di calore se l'impianto è in funzione. Viene visualizzata una schermata che richiede all'installatore di arrestare l'impianto prima di potere attivare questi modi. L'impianto si arresta automaticamente 2 ore dopo l'ultima operazione.

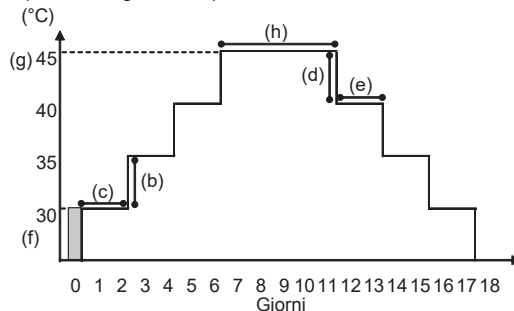
<[funz.asciugatura pavimenti]>

La funzione di asciugatura pavimenti modifica automaticamente e in fasi la temperatura target dell'acqua calda per asciugare il cemento quando è installato questo particolare tipo di impianto di riscaldamento a pavimento.

Al termine dell'operazione l'impianto interrompe tutte le operazioni tranne la funzione antigelo.

Per la funzione di asciugatura pavimenti, la temperatura target dell'acqua della zona 1 è la stessa che per la zona 2.

Temperatura target dell'acqua



- Questa funzione non è disponibile quando è collegata un'unità esterna PUHZ-FRP.
- Scollegare il cablaggio agli ingressi esterni del termostato ambiente, del controllo richiesta e del termostato esterno; in caso contrario non è possibile mantenere costante la temperatura target dell'acqua.

Funzioni	Simbolo	Descrizione	Opzione/intervallo	Unità	Valore predefinito
funz.asciugatura pavimenti	a	Impostare la funzione su ON e accendere l'impianto mediante il regolatore principale; viene avviato il funzionamento di riscaldamento per asciugatura.	ON/OFF	—	OFF
temp. acqua (aumento)	b	Imposta il passo per l'incremento della temperatura target dell'acqua.	+1-+10	°C	+5
	c	Imposta il periodo per il quale viene mantenuta la stessa temperatura target dell'acqua.	1-7	giorni	2
temp. acqua (diminuzione)	d	Imposta il passo per il decremento della temperatura target dell'acqua.	-1--10	°C	-5
	e	Imposta il periodo per il quale viene mantenuta la stessa temperatura target dell'acqua.	1-7	giorni	2
temperatura target	f	Imposta la temperatura target dell'acqua all'inizio e alla fine dell'operazione.	20-60	°C	30
	g	Imposta la temperatura target massima dell'acqua.	20-60	°C	45
	h	Imposta il periodo per il quale viene mantenuta la temperatura target massima dell'acqua.	1-20	giorni	5

<[Protezione password]>

La protezione con password ha lo scopo di impedire l'accesso non autorizzato al menu di servizio tecnico da parte di persone non qualificate.

Reimpostazione della password

Se si dimentica la password inserita o si deve eseguire un intervento di servizio su un'unità installata da terzi, è possibile ripristinare la password predefinita di fabbrica 0000.

1. Dal menu delle impostazioni principali scorrere l'elenco delle funzioni sino a evidenziare il menu del servizio tecnico.
2. Premere CONFERMA.
3. Viene richiesta una password.
4. Tenere premuti contemporaneamente i tasti F3 e F4 per 3 secondi.
5. La schermata richiede se si desidera continuare e riportare la password al valore predefinito.
6. Per resettare premere il tasto F3.
7. La password viene riportata a 0000.

<[Reset manuale]>

Qualora si desideri ripristinare in qualsiasi momento le impostazioni di fabbrica, utilizzare la funzione di reset manuale. Si noti che questa operazione causa il reset di TUTTE le funzioni alle impostazioni predefinite di fabbrica.



Schermata Inserisci password



Schermata di verifica password

6 Avviamento

■ Esercizi di pre-avviamento-circuito acqua potabile/ACS

Procedura di riempimento iniziale:

Assicurarsi che tutti i raccordi e i giunti dei tubi siano ben serrati e saldi.

Aprire il rubinetto/uscita ACS più distante.

Lentamente e gradualmente, aprire l'alimentazione idraulica principale e iniziare a riempire l'unità e la tubazione ACS.

Lasciare che il rubinetto più distante goccioli liberamente e rilasci e rigeneri l'aria residua prodotta dall'installazione.

Chiudere il rubinetto/l'uscita per mantenere del tutto carico l'impianto.

Nota: Quando si installa un riscaldatore a immersione, NON energizzare il riscaldatore finché l'acqua non riempie del tutto il serbatoio ACS. Inoltre, in caso di presenza di sostanze chimiche per la sterilizzazione nel serbatoio ACS, NON energizzare nessun riscaldatore a immersione; questa presenza provoca il malfunzionamento anticipato del riscaldatore.

Procedura di risciacquo iniziale:

energizzare l'impianto per riscaldare il contenuto dell'hydrotank a una temperatura di circa 30 - 40°C.

Risciacquare/scaricare il contenuto idrico per rimuovere qualunque residuo/impurità derivante dai lavori di installazione. Utilizzare il rubinetto di scarico dell'hydrotank per scaricare in sicurezza l'acqua riscaldata da far fuoriuscire mediante un apposito tubo.

Per completare, chiudere il rubinetto di scarico, riempire nuovamente l'impianto e riprendere l'avviamento dello stesso.

7 Servizio e manutenzione

Codici di errore

Codice	Errore	Azione
L3	Protezione da surriscaldamento per la temperatura dell'acqua in circolazione	È possibile che la portata sia ridotta. Verificare che non siano presenti: <ul style="list-style-type: none"> • Perdite di acqua • Ostruzioni del filtro • Funzione della pompa di circolazione dell'acqua (può essere visualizzato un codice di errore durante il riempimento del circuito primario, il riempimento completo e il reset di codici di errore).
L4	Protezione da surriscaldamento per la temperatura dell'acqua nel serbatoio ACS	Controllare il riscaldatore a immersione e il relativo contattore.
L5	Guasto del termistore della temperatura dell'unità interna (THW1, THW2, THW5A, THW5B, THW6, THW7, THW8, THW9)	Controllare la resistenza sul termistore.
L6	Protezione antigelo dell'acqua in circolazione	Vedere l'azione per L3.
L8	Errore modo riscaldamento	Controllare ricollegare eventuali termistori scollegati.
L9	La portata rilevata dal sensore di flusso o flussostato per il circuito primario è bassa (flussostati 1, 2, 3)	Vedere l'azione per L3. Se il sensore di flusso o il flussostato stesso non funziona, sostituirlo. Attenzione: le valvole della pompa possono essere molto calde, agire con cautela.
LA	Guasto sensore di pressione	Verificare che il cavo del sensore di pressione non presenti danni o connessioni allentate.
LB	Protezione da alta pressione	<ul style="list-style-type: none"> • È possibile che la portata del circuito di riscaldamento venga ridotta. Controllare il circuito idraulico. • Lo scambiatore a piastre potrebbe intasarsi. Controllare lo scambiatore a piastre. • Guasto dell'unità esterna. Consultare il manuale di servizio dell'unità esterna.
LC	Protezione da surriscaldamento per la temperatura dell'acqua della caldaia in circolazione	Controllare che la temperatura di impostazione della caldaia per il riscaldamento non superi la restrizione (consultare il manuale dei termistori "PAC-TH012HT-E") È possibile che la portata del circuito di riscaldamento dalla caldaia sia ridotta. Controllare che non siano presenti <ul style="list-style-type: none"> • perdite di acqua • ostruzioni del filtro • funzionamento della pompa di circolazione dell'acqua.
LD	Guasto del termistore della temperatura della caldaia (THWB1)	Controllare la resistenza sul termistore.
LE	Errore del funzionamento della caldaia	Vedere l'azione per L8. Controllare lo stato della caldaia.
LF	Guasto flussometro	Verificare che il cavo del sensore di flusso non presenti danni o connessioni allentate.
LH	Protezione antigelo dell'acqua della caldaia in circolazione	È possibile che la portata del circuito di riscaldamento dalla caldaia sia ridotta. Controllare che non siano presenti <ul style="list-style-type: none"> • perdite di acqua • ostruzioni del filtro • funzionamento della pompa di circolazione dell'acqua.
LJ	Errore funzionamento ACS (tipo di piastra esterna HEX)	<ul style="list-style-type: none"> • Verificare che il termistore (THW5B) inferiore della temperatura dell'acqua del serbatoio ACS non sia scollegato. • È possibile che la portata del circuito sanitario sia ridotta. • Controllare il funzionamento della pompa di circolazione dell'acqua. (primario/sanitario)
LL	Errori di impostazione dei dip switch sulla scheda di controllo del regolatore FTC	Per il funzionamento della caldaia, controllare che il dip SW1-1 sia impostato su ON (con caldaia) e il dip SW2-6 sia impostato su ON (con serbatoio di miscelazione). Per il controllo della temperatura a due zone, controllare che il dip SW2-7 sia impostato su ON (a due zone) e che il dip SW2-6 sia impostato su ON (con serbatoio di miscelazione).
LP	Fuori dai limiti portata dell'acqua per pompa di calore esterna	Controllare l'installazione Tabella 4.3.1 Controllare le impostazioni del regolatore (menu servizio tecnico/ limiti portata acqua PdC) Vedere l'azione per L3.
P1	Guasto termistore (temp. ambiente) (TH1)	Controllare la resistenza sul termistore.
P2	Guasto termistore (temp. liquido refr.) (TH2)	Controllare la resistenza sul termistore.
P6	Protezione antigelo per lo scambiatore a piastre	Vedere l'azione per L3. Verificare che la quantità di refrigerante sia corretta.
J0	Problema di comunicazione tra il regolatore FTC e il ricevitore senza fili	Verificare che il cavo di collegamento non presenti danni o connessioni allentate.
J1 - J8	Problema di comunicazione tra il ricevitore senza fili e il comando remoto senza fili	Verificare che la batteria del comando remoto senza fili non sia esaurita. Controllare l'abbinamento tra il ricevitore senza fili e il comando remoto senza fili. Controllare la comunicazione senza fili (consultare il manuale dell'impianto senza fili).
E0 - E5	Errore di comunicazione tra il regolatore principale e il regolatore FTC	Verificare che il cavo di collegamento non presenti danni o connessioni allentate.
E6 - EF	Problema di comunicazione tra il regolatore FTC e l'unità esterna	Verificare che l'unità esterna non sia stata spenta. Verificare che il cavo di collegamento non presenti danni o connessioni allentate. Consultare il manuale di servizio dell'unità esterna.
E9	L'unità esterna non riceve segnali dall'unità interna.	Controllare che entrambe le unità siano accese. Verificare che il cavo di collegamento non presenti danni o connessioni allentate. Consultare il manuale di servizio dell'unità esterna.
EE	Errore di combinazione tra il regolatore FTC e l'unità esterna	Controllare la combinazione tra il regolatore FTC e l'unità esterna.
U*, F*	Guasto dell'unità esterna	Consultare il manuale di servizio dell'unità esterna.
A*	Errore di comunicazione M-NET	Consultare il manuale di servizio dell'unità esterna.

Nota: per eliminare i codici di errore spegnere l'impianto (premere il tasto F4 (RESET) sul regolatore principale).

7 Servizio e manutenzione

Manutenzione annuale

È indispensabile sottoporre l'hydrotank ad almeno un intervento di manutenzione all'anno ad opera di personale qualificato. Eventuali parti necessarie devono essere acquistate presso Mitsubishi Electric. NON escludere mai i dispositivi di sicurezza e non mettere in funzione l'unità se questi non sono pienamente funzionanti. Per ulteriori informazioni, consultare il libretto d'istruzione.

- Nota**
- Entro i primi due mesi dall'installazione, rimuovere e pulire il filtro dell'hydrotank e altri filtri supplementari eventualmente installati esternamente all'hydrotank. Questa operazione è di particolare importanza quando si esegue l'installazione su un impianto vecchio/esistente.
 - Controllare annualmente la valvola di sfiato pressione e la valvola T&P (N. 8, 20 e 21 nella Figura 3.1) ruotando manualmente la manopola in modo da scaricare il fluido, per pulire la sede della guarnizione.

Oltre all'intervento annuale di servizio è necessario sostituire o ispezionare alcuni componenti dopo un certo periodo di funzionamento dell'impianto. Per le istruzioni dettagliate consultare le tabelle seguenti. La sostituzione e l'ispezione dei componenti devono essere eseguite sempre da personale competente in possesso della formazione e delle qualifiche necessarie.

Componenti che richiedono regolare sostituzione

Componenti	Intervallo di sostituzione	Possibili guasti
Valvola di sicurezza per la pressione (VPS) Manometro Gruppo di controllo dell'entrata (ICG)*	6 anni	Perdita d'acqua

* COMPONENTI OPZIONALI PER UK

Componenti che richiedono regolare ispezione

Componenti	Intervallo di controllo	Possibili guasti
Valvola di sicurezza per la pressione (3 bar) Temperatura e valvola di sicurezza per la pressione	1 anno (ruotando manualmente la manopola)	La valvola di sfiato pressione si fisserebbe e il vaso di espansione esploderebbe
Riscaldatore a immersione	2 anni	Dispersione a terra che fa scattare l'interruttore differenziale (il riscaldatore è sempre spento)
Pompa di circolazione dell'acqua (Circuito primario)	20.000 ore (3 anni)	Guasto della pompa di circolazione dell'acqua

Componenti che NON devono essere riutilizzati dopo l'intervento di servizio

- * O-ring
- * Guarnizione

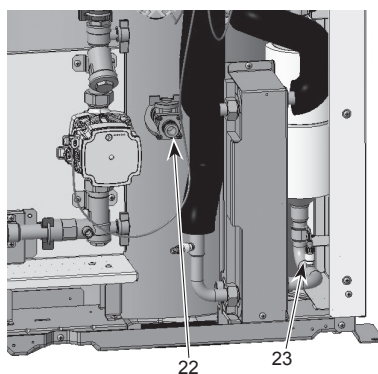
Nota

- sostituire sempre la guarnizione della pompa con una nuova a ogni manutenzione ordinaria (ogni 20.000 ore di funzionamento o ogni 3 anni).

<Scarico dell'hydrotank e del relativo circuito di riscaldamento acqua sanitaria (locale)>

AVVERTENZA: L'ACQUA DI SCARICO PUÒ RAGGIUNGERE TEMPERATURE MOLTO ELEVATE

1. Prima di procedere allo scarico dell'hydrotank, isolarlo dall'alimentazione elettrica per evitare che i riscaldatori booster e a immersione si brucino.
2. Isolare l'alimentazione di acqua fredda al serbatoio ACS.
3. Aprire un rubinetto dell'acqua calda per consentire l'operazione di scarico senza vuoto.
4. Fissare un tubo ai rubinetti di scarico del serbatoio ACS (N. 22 e 23, Figura 7.1). Il tubo deve essere in grado di sopportare il calore, dato che l'acqua di scarico potrebbe essere molto calda. Il tubo deve scaricare in un sito posto più in basso rispetto al fondo del serbatoio ACS, in modo da agevolare l'operazione di travaso. Iniziare a scaricare aprendo il rubinetto di scarico.
5. Quando il serbatoio ACS è scarico, chiudere il rubinetto di scarico e il rubinetto dell'acqua calda.
6. Nel circuito primario, fissare il tubo ai rubinetti di scarico del circuito idraulico (N. 6, Figura 3.1). Il tubo deve essere in grado di sopportare il calore, dato che l'acqua di scarico potrebbe essere molto calda. Il tubo deve scaricare in un sito posto più in basso rispetto al rubinetto di scarico, in modo da agevolare l'operazione di travaso. Aprire le valvole della pompa e le valvole del filtro.
7. Anche dopo lo scarico dell'hydrotank, nel filtro rimane dell'acqua. Svuotare il filtro rimuovendo il relativo coperchio.



<Figura 7.1>

7 Servizio e manutenzione

Moduli per i tecnici

Qualora si modifichino le impostazioni rispetto ai valori predefiniti, inserire e registrare le nuove impostazioni nella colonna "Impostazioni in loco". Ciò agevolerà le successive reimpostazioni nel caso in cui cambi l'uso dell'impianto o la scheda elettronica debba essere sostituita.

Scheda di registrazione di avviamento/Impostazioni in loco

Schermata del regolatore principale		Parametri	Impostazioni predefinite	Impostazioni in loco	Note	
Principale	Temp.ambiente riscald. zona1	10°C - 30°C	20°C			
	Temp.ambiente riscald. zona2 *12	10°C - 30°C	20°C			
	Temp.acqua riscald. zona1	20°C - 60°C	45°C			
	Temp.acqua riscald. zona2 *1	20°C - 60°C	35°C			
	Temp.acqua raffredd. zona1 *13	5°C - 25°C	15°C			
	Temp.acqua raffredd. zona2 *13	5°C - 25°C	20°C			
	Curva di compensazione riscaldamento zona1	-9°C - + 9°C	0°C			
	Curva di compensazione riscaldamento zona2 *1	-9°C - + 9°C	0°C			
	Modo Vacanza	Attivo/non attivo/tempo impostato	—			
	Opzione	Funzionamento ACS forzata	On/Off	—		
ACS		On/Off/Timer	On			
Riscald./Raffr. *13		On/Off/Timer	On			
Controllo dell'energia		Energia elettrica consumata/energia prodotta	—			
Imposta- zione	ACS	Modo funzionamento	Normal/eco *15	Normal		
		Temperatura ACS massima	40°C - 60°C *2	50°C		
		Differenziale ACS temperatura	5°C - 30°C	10°C		
		Durata massima ciclo ACS	30 - 120 min	60 min		
		ACS restrizione modo	30 - 120 min	30 min		
	Prevenzione anti-legionella	ACS ricarica	Grande/Standard	Standard		
		Attivo	Si/no	Si		
		Temperatura acqua calda	60°C - 70°C *2	65°C		
		Frequenza	1 - 30 gg	15 gg		
		Orario inizio ciclo	00:00 - 23:00	03:00		
Riscald./Raffr. *13	Modo funzionamento zona1	Temp.ambiente riscald./ Temp.acqua riscald./ Curva di compensazione riscald./Temp.acqua raffredd.	Temp.ambiente			
	Modo funzionamento zona2 *1	Temp.ambiente riscald./ Temp.acqua riscald./ Curva di compensazione riscald./Temp.acqua raffredd.	Curva di compen- sazione			
	Valore riferimento superiore temp. acqua	Temp.ambiente esterno zona1 Temp.acqua zona1 Temp.ambiente esterno zona2 *1 Temp.acqua zona2 *1	-30°C - +33°C *3 20°C - 60°C -30°C - +33°C *3 20°C - 60°C	-15°C 50°C -15°C 40°C		
Curva di com- pensazione	Valore riferimento inferiore temp. acqua	Temp.ambiente esterno zona1 Temp.acqua zona1 Temp.ambiente esterno zona2 *1 Temp.acqua zona2 *1	-28°C - +35°C *4 20°C - 60°C -28°C - +35°C *4 20°C - 60°C	35°C 25°C 35°C 25°C		
		Regolazione	Temp.ambiente esterno zona1 Temp.acqua zona1 Temp.ambiente esterno zona2 *1 Temp.acqua zona2 *1	-29°C - +34°C *5 20°C - 60°C -29°C - +34°C *5 20°C - 60°C	— — — —	
			Vacanza	ACS Riscald./Raffr. *13 Temp.ambiente riscald. zona1 Temp.ambiente riscald. zona2 *12 Temp.acqua riscald. zona1 Temp.acqua riscald. zona2 *1 Temp.acqua raffredd. zona1 *13 Temp.acqua raffredd. zona2 *13	Attivo/non attivo Attivo/non attivo 10°C - 30°C 10°C - 30°C 20°C - 60°C 20°C - 60°C 5°C - 25°C 5°C - 25°C	Non attivo Attivo 15°C 15°C 35°C 25°C 25°C
	Impostazioni iniziali		Lingua	EN/FR/DE/SV/ES/IT/DA/NL/FI/NO/PT/BG/PL/CZ/RU/TR/SL	EN	
		°C/°F	°C/°F	°C		
		Ora legale	On/Off	Off		
Visualizzaz. temp.		Ambiente/ACS/Amb.&ACS/Off	Off			
Time display		hh:mm/hh:mm AM/AM hh:mm	hh:mm			
Selezione termistore per zona1		th1/com.princ/comando ambiente 1-8"/ora/zona"	th1			
Selezione termistore per zona2 *1		th1/com.princ/comando ambiente 1-8"/ora/zona"	th1			
Comando selezione zona *1		Zona1/Zona2	Zona1			
Menu servizio tecnico	Regolazione termistori	THW1	-10°C - +10°C	0°C		
		THW2	-10°C - +10°C	0°C		
		THW5A	-10°C - +10°C	0°C		
		THW5B	-10°C - +10°C	0°C		
		THW6	-10°C - +10°C	0°C		
		THW7	-10°C - +10°C	0°C		
		THW8	-10°C - +10°C	0°C		
		THW9	-10°C - +10°C	0°C		
		THW10	-10°C - +10°C	0°C		
		THWB1	-10°C - +10°C	0°C		
	Impostazioni aux	Economizzatore pompa.	On/Off *6	On		
		Resist. elettrica (Riscald.)	Ritardo (3 - 60 min)	10 min		
			Resist. elettrica (ACS)	Riscald: On (utilizzata)/Off (non utilizzata) Timer ritardo resist. elettrica (5 - 180 min)	On 30 min	
		Controllo valvola miscelaz.	Riscald.booster	ACS: On (utilizzata)/ Off (non utilizzata)	On	
			Riscald. immersione	ACS: On (utilizzata)/ Off (non utilizzata)	On	
		Flussometro *17	Timer ritardo resist. elettrica (15 - 30 min)	15 min		
			Intervallo (1 - 30 min)	2 min		
Uscita analogica	Minimo (0 - 100 L/min)	5 L/min				
	Massimo(0 - 100 L/min)	100 L/min				
	Intervallo (1 - 30 min)	5 min				
	Priorità (Normal/Alta)	Normal				

(Segue alla pagina successiva).

7 Servizio e manutenzione

Moduli per i tecnici

Scheda di registrazione di avviamento/Impostazioni in loco (segue dalla pagina precedente)

Schermata del regolatore principale			Parametri		Impostazioni predefinite	Impostazioni in loco	Note			
Impostazione	Menu servizio tecnico	Velocità pompa	ACS	Velocità pompa (1 - 5)		5				
			Riscald./Raffr.	Velocità pompa (1 - 5)		5				
		Selezione sorgente calore		Standard/Resist./Caldaia/Ibrido *7		Standard				
		Impostazioni pompa di calore	Limiti portata acqua PdC	Minimo (0 - 100 L/min)		5 L/min				
				Massimo (0 - 100 L/min)		100 L/min				
			Modalità silenziosa	gg (lun - dom)		—				
				Ora		0:00 - 23:45				
		Impostazione parametri	Modo riscaldamento *8	Limiti temp.acqua *10	Temp.minima (20 - 45°C)		30°C			
					Temp.massima (35 - 60°C)		50°C			
					Intervallo di controllo *14		Normal			
				Regolaz.diff.temp. pompa.cal.	Intervallo (10 - 60 min)		10 min			
					On/Off *6		On			
					Limite inferiore (-9 - -1°C)		-5°C			
			Limite superiore (+3 - +5°C)		5°C					
			Funzione antigelo *11		Temp.ambiente esterno (3 - 20°C) / **		5°C			
			Funzionamento simultaneo (ACS/riscald.)		On/Off *6		Off			
					Temp.ambiente esterno (-30 - +10°C) *3		-15°C			
			Funzione meteo freddo		On/Off *6		Off			
					Temp.ambiente esterno (-30 - -10°C) *3		-15°C			
			Funzionamento caldaia		Impostazioni ibride	Temp.ambiente esterno (-30 - +10°C) *3		-15°C		
						Modo priorità (Ambiente/Cost/CO2) *16		Ambiente		
						Aumento temp.ambiente esterno (+1 - +5°C)		+3°C		
					Impostazioni intelligenti	Prezzo energia *9	Elettricità (0,001 - 999 */kWh)	0,5 */kWh		
							Caldaia (0,001 - 999 */kWh)	0,5 */kWh		
						Emissioni CO2	Elettricità (0,001 - 999 kg -CO2/kWh)		0,5 kg -CO2/kWh	
				Caldaia (0,001 - 999 kg -CO2/kWh)			0,5 kg -CO2/kWh			
				Sorgente calore		Capacità pompa calore (1 - 40 kW)		11,2 kW		
						Efficienza caldaia (25 - 150%)		80%		
					Capacità riscald.booster 1 (0 - 30 kW)		2 kW			
				Capacità riscald.booster 2 (0 - 30 kW)		4 kW				
		Smart grid ready		ACS	On/Off		Off			
				Temp target (+1- +20°C) / -- (Non attivo)		--				
				Riscald	On/Off		Off			
					Temp target	Consigliata all'accensione (20 - 60°C)		50°C		
				Comando di accensione (20 - 60°C)		55°C				
				Raffr.	On/Off		Off			
					Temp target	Consigliata all'accensione (5 - 25°C)		15°C		
					Comando di accensione (5 - 25°C)		10°C			
				Cicli pompa	Riscald (On/Off)		On			
					Raffr. (On/Off)		On			
					Intervallo (10-120 min)		10 min			
		Funz.asciugatura pavimenti		On/Off *6		Off				
		Temp target	Inizio e fine (20 - 60°C)		30°C					
			Temperatura massima (20 - 60°C)		45°C					
			Durata temp. massima (1 - 20 gg)		5 gg					
		Temperatura acqua (aumento)	Passo incremento temperatura (+1 - +10°C)		+5°C					
			Aumento intervallo (1 - 7 gg)		2 gg					
		Temperatura acqua (riduzione)	Passo decremento temp. (-1 - -10°C)		-5°C					
			Diminuzione intervallo (1 - 7 gg)		2 gg					
Modo estate		On/Off		Off						
		Temp.ambiente esterno	Riscald ON (4-19°C)		10°C					
			Riscald OFF (5-20°C)		15°C					
		Orario stimato	Riscald ON (1-48 ore)		6 ore					
			Riscald OFF (1-48 ore)		6 ore					
		Riscaldamento forzato ON (-30 - 10°C)		5°C						
Controllo flusso d'acqua		On/Off		Off						

(Segue alla pagina successiva).

7 Servizio e manutenzione

Moduli per i tecnici

Scheda di registrazione di avviamento/Impostazioni in loco (segue dalla pagina precedente)

Schermata del regolatore principale				Parametri	Impostazioni predefinite	Impostazioni in loco	Note
Menu servizio tecnico	Impost. del monitor energia	Capacità resist. elettrica	Capacità riscald. booster1	0 - 30 kW	2 kW		
			Capacità riscald. booster2	0 - 30 kW	4 kW		
			Capacità riscald. immersione	0 - 30 kW	0 kW		
			Uscita analogica	0 - 30 kW	0 kW		
		Regolazione energia prodotta	-50 - +50%	0%			
	Assorbim.pompa circolaz.	Pompa 1	0 - 200 W o *** (pompa installata in fabbrica)	***			
		Pompa 2	0 - 200 W	0 W			
		Pompa 3	0 - 200 W	0 W			
		Pompa 4	0 - 200 W	72 W			
		Misuratore energia elettrica	0,1/1/10/100/1000 impulsi/kWh	1 impulso/kWh			
		Misuratore di calore	0,1/1/10/100/1000 impulsi/kWh	1 impulso/kWh			
	Impostaz. inserim. esterno	Controllo richiesta (IN4)	Sorgente calore OFF/Funzionamento caldaia	Funzionamento caldaia			
		Termostato esterno (IN5)	Funzionamento resist./Funzionamento caldaia	Funzionamento caldaia			
		Uscita termo ON	Zona1/Zona2/Zona1e2	Zona1e2			

*1 Le impostazioni relative alla Zona2 possono essere attivate solo quando è abilitato il controllo della temperatura della Zona2 (quando DIP SW2-6 e SW2-7 sono impostati su ON).

*2 Il modello senza né riscaldatore booster né riscaldatore a immersione potrebbe non raggiungere la temperatura impostata in base alla temperatura ambiente esterno.

*3 Il limite inferiore è -15°C in base all'unità esterna collegata.

*4 Il limite inferiore è -13°C in base all'unità esterna collegata.

*5 Il limite inferiore è -14°C in base all'unità esterna collegata.

*6 On: la funzione è attiva; Off: la funzione è disattivata.

*7 Quando il DIP SW1-1 è impostato su OFF "SENZA caldaia" o SW2-6 è impostato su OFF "SENZA serbatoio di miscelazione", non è possibile selezionare la caldaia né il funzionamento ibrido.

*8 Valido solo se in funzione nel modo intervallo di controllo.

9 "" in "*/kWh" indica la valuta (ad esempio €, £ o simili)

*10 Valido solo se in funzione nel modo riscaldamento temperatura ambiente.

*11 Se si seleziona l'asterisco (**) la funzione antigelo viene disattivata. (Rischio di congelamento dell'acqua primaria)

*12 Le impostazioni relative alla Zona2 possono essere attivate solo quando è attivo il controllo della temperatura a 2 zone o è attivato (ON) o disattivato (OFF) il controllo della valvola a 2 zone.

*13 Le impostazioni del modo raffreddamento sono disponibili solo per il modello ER.

*14 Quando il DIP SW5-2 è impostato su OFF, la funzione è attiva.

*15 Quando l'hydrotank è collegato a un'unità esterna PUMY-P, il modo viene fissato su "Normal".

*16 Quando l'hydrotank è collegato a un'unità esterna PUMY-P, il modo viene fissato su "Ambiente".

*17 Non modificare l'impostazione, in quanto è configurata in base alle specifiche del flussometro collegato all'hydrotank.

1. Προειδοποιήσεις ασφαλείας	2
2. Εισαγωγή	3
3. Τεχνικές πληροφορίες	4
4. Εγκατάσταση	10
4.1 Τοποθεσία.....	10
4.2 Ποιότητα νερού και προετοιμασία συστήματος.....	11
4.3 Σωλήνωση νερού.....	11
4.4 Ηλεκτρική σύνδεση.....	14
5. Ρύθμιση συστήματος	16
5.1 Λειτουργίες διακόπτη DIP.....	16
5.2 Σύνδεση εισόδων/εξόδων.....	17
5.3 Καλωδίωση ελέγχου θερμοκρασίας 2 ζωνών	18
5.4 Λειτουργία μόνο εσωτερικής μονάδας (κατά την εργασία εγκατάστασης).....	19
5.5 Έξυπνο δίκτυο	19
5.6 Χρήση κάρτας μνήμης SD.....	19
5.7 Κύριο τηλεχειριστήριο.....	20
6. Ανάθεση.....	26
7. Σέρβις και συντήρηση.....	27



<http://www.mitsubishielectric.com/ldg/ibim/>

Αν χρειάζεστε περισσότερες πληροφορίες που δεν αναφέρονται στο παρόν εγχειρίδιο, επισκεφτείτε την παραπάνω ιστοσελίδα για να κάνετε λήψη των εγχειριδίων, επιλέξτε ονομασία μοντέλου και στη συνέχεια διαλέξτε γλώσσα.

Περιεχόμενα εγχειριδίου ιστοσελίδας

- Παρακολούθηση ενέργειας
- Εξαρτήματα (λεπτομέρειες)
- Διάγραμμα κυκλώματος νερού (170 L)
- Θερμοστάτης δωματίου
- Πλήρωση του συστήματος
- Απλό σύστημα 2 ζωνών
- Ανεξάρτητη πηγή ηλεκτρικού ρεύματος
- Έξυπνο δίκτυο
- Επιλογές τηλεχειριστηρίου
- Μενού σέρβις (ειδική ρύθμιση)
- Συμπληρωματικές πληροφορίες

Εξαρτήματα (Συμπεριλαμβάνονται)			
Προσαρμοσίμα πόδια	Κύριο εργαλείο θερμοαντήρα εμβάπτισης	Κάρτα μνήμης SD	Επένδυση χαλκού για σωλήνα DHW
	Μόνο για μοντέλο EHPT20X-MHEDW 		
4	1	1	2


Συνομογραφίες και γλωσσάρι

Αρ.	Συνομογραφίες/Λέξη	Περιγραφή
1	Λειτουργία καμπίλης αντιστάθμισης	Θέρμανση χώρου που ενσωματώνει την αντιστάθμιση της εξωτερικής θερμοκρασίας περιβάλλοντος
2	COP	Συντελεστής απόδοσης (Coefficient of Performance) της αποτελεσματικότητας της αντλίας θερμότητας
3	Μονάδα κυλίνδρου	Εσωτερική μη εξαερισμένη δεξαμενή DHW και υδραυλικά μέρη
4	Λειτουργία DHW	Λειτουργία θέρμανσης ζεστού νερού οικιακής χρήσης για ντους, νεροχύτες, κτλ.
5	Θερμοκρασία ροής	Η θερμοκρασία στην οποία το νερό παρέχεται στο πρωτεύον κύκλωμα
6	Λειτουργία προστασίας παγωμάτων	Διάταξη ελέγχου θέρμανσης η οποία αποτρέπει το πάγωμα των σωλήνων
7	FTC	Ελεγκτής θερμοκρασίας ροής (Flow temperature controller), η πλακέτα που ελέγχει το σύστημα
8	Λειτουργία θέρμανσης	Θέρμανση χώρου μέσω καλοριφέρ ή ενδοδαπέδιας θέρμανσης
9	Λεγεωνέλλα	Βακτήρια που πιθανώς βρίσκονται σε υδραυλικές εγκαταστάσεις, ντουζιέρες και δεξαμενές νερού και μπορούν να προκαλέσουν τη νόσο των λεγεωναρίων.
10	Λειτουργία LP	Λειτουργία αποτροπής της Λεγεωνέλλας (Legionella prevention) – μια λειτουργία σε συστήματα με δεξαμενές νερού για την αποτροπή της ανάπτυξης των βακτηρίων Λεγεωνέλλα.
11	Μοντέλο κλειστού τύπου	Ο πλακοειδής εναλλάκτης θερμότητας (Ψυκτικό - Νερό) στην εξωτερική μονάδα αντλίας θερμότητας
12	PRV	Βαλβίδα εκτόνωσης πίεσης (Pressure relief valve)
13	Θερμοκρασία επιστροφής	Η θερμοκρασία στην οποία το νερό παρέχεται από το πρωτεύον κύκλωμα
14	Μοντέλο διαχωρισμένου τύπου	Ο πλακοειδής εναλλάκτης θερμότητας (Ψυκτικό - Νερό) στην εσωτερική μονάδα
15	TRV	Θερμοστατική βαλβίδα καλοριφέρ (Thermostatic radiator valve) – μια βαλβίδα στην είσοδο ή την έξοδο του σώματος καλοριφέρ που ελέγχει την έξοδο θερμότητας
16	Λειτουργία ψύξης	Ψύξη του χώρου μέσω fan-coil ή ενδοδαπέδιας ψύξης

1 Προειδοποιήσεις ασφαλείας

Παρακαλούμε διαβάστε προσεκτικά τις προφυλάξεις ασφαλείας.





 **ΠΡΟΕΙΔΟΠΟΙΗΣΗ:**
Προφυλάξεις που πρέπει να τηρηθούν για την αποφυγή τραυματισμών ή θανάτου.

 **ΠΡΟΣΟΧΗ:**
Προφυλάξεις που πρέπει να τηρηθούν για την αποφυγή βλαβών στη μονάδα.

Το παρόν εγχειρίδιο εγκατάστασης και το εγχειρίδιο χρήστη θα πρέπει να μείνουν μαζί με το προϊόν μετά την εγκατάσταση για μελλοντική αναφορά. Η Mitsubishi Electric δεν ευθύνεται για την αποτυχία τοπικά παρεχόμενων εξαρτημάτων.

- Φροντίστε να διεξάγετε συντήρηση περιοδικά.
- Φροντίστε να ακολουθείτε τους τοπικούς κανονισμούς.
- Φροντίστε να ακολουθείτε τις οδηγίες που παρέχονται στο παρόν εγχειρίδιο.

ΕΝΝΟΙΕΣ ΤΩΝ ΣΥΜΒΟΛΩΝ ΠΟΥ ΕΜΦΑΝΙΖΟΝΤΑΙ ΠΑΝΩ ΣΤΗ ΜΟΝΑΔΑ

	ΠΡΟΕΙΔΟΠΟΙΗΣΗ (Κίνδυνος πυρκαγιάς)	Αυτή η σήμανση ισχύει μόνο για το ψυκτικό R32. Ο τύπος του ψυκτικού αναγράφεται στην ετικέτα χαρακτηριστικών της εξωτερικής μονάδας. Σε περίπτωση που ο τύπος του ψυκτικού είναι R32, η παρούσα μονάδα χρησιμοποιεί εύφλεκτο ψυκτικό. Αν υπάρχει διαρροή ψυκτικού και έρθει σε επαφή με φωτιά ή τμήμα θέρμανσης, θα δημιουργήσει επιβλαβές αέριο και υπάρχει κίνδυνος πυρκαγιάς.
	Διαβάστε προσεκτικά το ΕΓΧΕΙΡΙΔΙΟ ΛΕΙΤΟΥΡΓΙΑΣ πριν τη λειτουργία.	
	Το προσωπικό του σέρβις πρέπει να διαβάσει προσεκτικά το ΕΓΧΕΙΡΙΔΙΟ ΛΕΙΤΟΥΡΓΙΑΣ και το ΕΓΧΕΙΡΙΔΙΟ ΕΓΚΑΤΑΣΤΑΣΗΣ πριν τη λειτουργία.	
	Επιπλέον διαθέσιμες πληροφορίες θα βρείτε στο ΕΓΧΕΙΡΙΔΙΟ ΛΕΙΤΟΥΡΓΙΑΣ, το ΕΓΧΕΙΡΙΔΙΟ ΕΓΚΑΤΑΣΤΑΣΗΣ και παρόμοια.	

ΠΡΟΕΙΔΟΠΟΙΗΣΗ

Μηχανικά

- Η μονάδα κυλίνδρου και η εξωτερική μονάδα δεν πρέπει να εγκατασταθούν, αποσυναρμολογηθούν, επανατοποθετηθούν, τροποποιηθούν ή επισκευαστούν από τον χρήστη. Ζητήστε το από εξουσιοδοτημένο υπεύθυνο εγκατάστασης ή τεχνικό. Αν η μονάδα εγκατασταθεί εσφαλμένα ή τροποποιηθεί μετά την εγκατάσταση, ενδέχεται να προκληθεί διαρροή νερού, ηλεκτροπληξία ή πυρκαγιά.
- Η εξωτερική μονάδα θα πρέπει να σταθεροποιηθεί με ασφάλεια σε σκληρή επίπεδη επιφάνεια που θα είναι ικανή να αντέξει το βάρος της.
- Η μονάδα κυλίνδρου θα πρέπει να τοποθετηθεί σε σκληρή επίπεδη επιφάνεια που θα είναι ικανή να υποστηρίξει το πλήρες βάρος της για την αποφυγή υπερβολικού θορύβου ή κραδασμού.
- Μην τοποθετείτε έπιπλα ή ηλεκτρικές συσκευές κάτω από την εξωτερική μονάδα ή την μονάδα κυλίνδρου.
- Η σωλήνωση εκκένωσης από τις συσκευές έκτακτης ανάγκης της μονάδας κυλίνδρου θα πρέπει να εγκατασταθεί σύμφωνα με τον τοπικό νόμο.
- Να χρησιμοποιείτε μόνο εξουσιοδοτημένα εξαρτήματα και ανταλλακτικά της Mitsubishi Electric και ζητήστε εξειδικευμένο τεχνικό για την τοποθέτηση των εξαρτημάτων.

Ηλεκτρικά

- Όλες οι ηλεκτρικές εργασίες θα πρέπει να διεξάγονται από εξειδικευμένο τεχνικό σύμφωνα με τους τοπικούς κανονισμούς και τις οδηγίες που δίδονται στο παρόν εγχειρίδιο.
- Οι μονάδες θα πρέπει να θέτονται σε λειτουργία από ειδική παροχή ρεύματος και να χρησιμοποιείτε σωστή τάση και σωστούς διακόπτες κυκλώματος.
- Η καλωδίωση θα πρέπει να είναι σύμφωνη με τους εθνικούς κανονισμούς καλωδίωσης. Οι συνδέσεις θα πρέπει να πραγματοποιούνται με ασφάλεια και χωρίς τάση στους ακροδέκτες.
- Γειώστε σωστά τη μονάδα.

Γενικά

- Κρατήστε παιδιά και κατοικίδια ζώα μακριά από την μονάδα κυλίνδρου και την εξωτερική μονάδα.
- Μην χρησιμοποιείτε το ζεστό νερό που παράγεται από την αντλία θερμότητας για να το πίνετε ή να μαγειρεύετε. Αυτό ενδέχεται να προκαλέσει ασθένειες στον χρήστη.
- Μη στέκεστε επάνω στη μονάδα.
- Μην αγγίζετε διακόπτες με βρεγμένα χέρια.
- Θα πρέπει να διεξάγονται ετήσιοι έλεγχοι συντήρησης τόσο στη μονάδα κυλίνδρου όσο και την εξωτερική μονάδα από εξειδικευμένο άτομο.
- Μην τοποθετείτε δοχεία με υγρά πάνω στη μονάδα κυλίνδρου. Αν υπάρξει διαρροή ή χυθεί υγρό πάνω στη μονάδα κυλίνδρου, μπορεί να προκληθεί ζημιά στη μονάδα κυλίνδρου ή/και πυρκαγιά.
- Μην τοποθετείτε βαριά αντικείμενα πάνω στη μονάδα κυλίνδρου.
- Κατά την εγκατάσταση, τη μετακίνηση σε νέα θέση ή το σέρβις της μονάδας κυλίνδρου, χρησιμοποιείτε μόνο το προβλεπόμενο ψυκτικό αντλίας θερμότητας για να πληρώσετε τις γραμμές ψυκτικού. Μην το αναμιγνύετε με οποιοδήποτε άλλο ψυκτικό και μην αφήνετε αέρα εντός των γραμμών. Αν αναμιχθεί αέρας με ψυκτικό, τότε μπορεί να προκληθεί αύξηση πίεσης στη γραμμή ψυκτικού και μπορεί να προκληθεί έκρηξη και άλλοι κίνδυνοι.
- Η χρήση οποιουδήποτε άλλου ψυκτικού εκτός αυτού που προβλέπεται για το σύστημα θα προκαλέσει μηχανική βλάβη ή δυσλειτουργία του συστήματος ή βλάβη της μονάδας. Στη χειρότερη περίπτωση, θα μπορούσε να επηρεάσει αρνητικά την ασφάλεια του προϊόντος.
- Κατά τη λειτουργία θέρμανσης, για την αποφυγή ζημιών των θερμαντικών σωμάτων από το υπερβολικά ζεστό νερό, ορίστε την επιθυμητή θερμοκρασία ροής τουλάχιστον 2°C κάτω από τη μέγιστη επιτρεπόμενη θερμοκρασία όλων των θερμαντικών σωμάτων. Για τη Ζώνη 2, ορίστε την επιθυμητή θερμοκρασία ροής τουλάχιστον 5°C κάτω από τη μέγιστη επιτρεπόμενη θερμοκρασία ροής όλων των θερμαντικών σωμάτων στο κύκλωμα της Ζώνης 2.
- Μην εγκαθιστάτε τη μονάδα όπου ενδέχεται να διαρρεύσουν, παραχθούν, εκπορευθούν ή συγκεντρωθούν καύσιμα αέρια. Αν συγκεντρωθεί καύσιμο αέριο γύρω από τη μονάδα, ενδέχεται να προκληθεί πυρκαγιά ή έκρηξη.
- Μην χρησιμοποιείτε μέσα για την επιτάχυνση της διαδικασίας απόψυξης ή τον καθαρισμό, εκτός από εκείνα που συνιστώνται από τον κατασκευαστή.
- Η συσκευή θα πρέπει να αποθηκεύεται σε δωμάτιο χωρίς πηγές ανάφλεξης σε συνεχή λειτουργία (για παράδειγμα: ανοιχτή φλόγα, συσκευή αερίου σε λειτουργία ή ηλεκτρικός θερμαντήρας σε λειτουργία).
- Μην τρυπάτε ή καίτε.
- Να γνωρίζετε ότι τα ψυκτικά ενδέχεται να μην περιέχουν κάποια οσμή.
- Η σωλήνωση θα πρέπει να προστατεύεται από φυσικές ζημιές.
- Η εγκατάσταση της σωλήνωσης θα πρέπει να διατηρηθεί στο ελάχιστο.
- Θα πρέπει να τηρούνται οι εθνικοί κανονισμοί αερίου.
- Να διατηρείτε ανοιχτά τυχόν απαιτούμενα ανοίγματα εξαερισμού από εμπόδια.
- Μην χρησιμοποιείτε κράμα συγκόλλησης χαμηλής θερμοκρασίας σε περίπτωση μπρουτζοποίησης των σωλήνων ψυκτικού.

1 Προειδοποιήσεις ασφαλείας

⚠ ΠΡΟΣΟΧΗ

Να χρησιμοποιείτε καθαρό νερό που πληροί τα τοπικά πρότυπα ποιότητας στο πρωτεύον κύκλωμα.

Η εξωτερική μονάδα θα πρέπει να εγκαθίσταται σε χώρο με επαρκή ροή αέρα σύμφωνα με τα διαγράμματα του εγχειριδίου εγκατάστασης εξωτερικής μονάδας.

Η μονάδα κυλίνδρου θα πρέπει να τοποθετείται μέσα για την ελαχιστοποίηση των απωλειών θερμότητας.

Οι σωληνώσεις νερού στο πρωτεύον κύκλωμα μεταξύ της εξωτερικής και εσωτερικής μονάδας θα πρέπει να διατηρούνται στο ελάχιστο για την μείωση των απωλειών θερμότητας.

Βεβαιωθείτε ότι τα συμπυκνώματα της εξωτερικής μονάδας απομακρύνονται από τη βάση για την αποφυγή λακκουβιών νερού.

Αφαιρέστε όσο περισσότερο αέρα γίνεται από το πρωτεύον και DHW κύκλωμα.

Η διαρροή ψυκτικού ενδέχεται να προκαλέσει ασφυξία. Παρέχετε εξαερισμό σύμφωνα με το EN378-1.

Φροντίστε να τυλίξετε μονωτικό γύρω από τη σωλήνωση. Η άμεση επαφή με τη γυμνή σωλήνωση ενδέχεται να οδηγήσει σε εγκαύματα ή κρουπαγήματα.

Ποτέ μην τοποθετείτε μπαταρίες στο στόμα σας, για οποιονδήποτε λόγο, για την αποφυγή τυχαίας κατάποσης.

Η κατάποση μπαταρίας ενδέχεται να προκαλέσει πνιγμό ή/και δηλητηρίαση.

Εγκαταστήστε τη μονάδα σε σταθερή επιφάνεια για την αποφυγή υπερβολικού θορύβου ή κραδασμού κατά τη λειτουργία.

Αν η μονάδα κυλίνδρου πρόκειται να μείνει απενεργοποιημένη (ή το σύστημα να απενεργοποιηθεί) για μεγάλο χρονικό διάστημα, το νερό θα πρέπει να αποστραγγιστεί.

Αν δεν έχει χρησιμοποιηθεί για μεγάλο χρονικό διάστημα, πριν συνεχίσετε τη λειτουργία, η δεξαμενή DHW θα πρέπει να ξεπλυθεί με πόσιμο νερό.

Θα πρέπει να ληφθούν προληπτικά μέτρα ενάντια στο υδραυλικό πλήγμα, όπως η εγκατάσταση ενός Υδραυλικού συλλέκτη στο πρωτεύον κύκλωμα νερού, όπως υποδεικνύεται από τον κατασκευαστή.

Όσον αφορά το χειρισμό του ψυκτικού, ανατρέξτε στο εγχειρίδιο εγκατάστασης εξωτερικής μονάδας.

2 Εισαγωγή

Σκοπός του παρόντος εγχειριδίου εγκατάστασης είναι να χορηγήσει οδηγίες σε αρμόδια άτομα για τον ασφαλή και αποδοτικό τρόπο εγκατάστασης και ανάθεσης του συστήματος της μονάδας κυλίνδρου. Οι αναγνώστες στους οποίους απευθύνεται το παρόν εγχειρίδιο είναι αρμόδιοι υδραυλικοί ή/και μηχανικοί ψύξης

που έχουν παρακολουθήσει και έχουν περάσει την απαιτούμενη εκπαίδευση του προϊόντος της Mitsubishi Electric και διαθέτουν κατάλληλες δεξιότητες για την εγκατάσταση μιας μονάδας κυλίνδρου ζεστού νερού χωρίς καπναγωγό ειδικά για την χώρα τους.

3 Τεχνικές πληροφορίες

■ Προδιαγραφή προϊόντος

Όνομασία μοντέλου	EHST20C-MED		EHST20C-VM2D		EHST20C-VM6D		EHST20C-VM9D		EHST20C-VM2D		EHST20C-VM6D		EHST20C-VM9D		EHST30C-TM9ED		EHST30C-TM2ED		EHST30C-TM9ED		EHST30C-TM2ED		EHPT17X-VM6D		EHPT17X-VM9D		EHPT17X-VM2D		EHPT17X-VM6D		EHPT17X-VM9D		EHPT17X-VM2D	
	106 kg	113 kg	114 kg	115 kg	115 kg	109 kg	115 kg	113 kg	113 kg	113 kg	118 kg	120 kg	121 kg	121 kg	120 kg	120 kg	121 kg	120 kg	120 kg	120 kg	121 kg	121 kg	120 kg	85 kg	86 kg	86 kg	87 kg	86 kg	86 kg	86 kg	86 kg	87 kg	86 kg	86 kg
Όνομαστικός όγκος ζεστού νερού οικιακής χρήσης	200 L																																	
Διαστάσεις συνολικής μονάδας (Υψος × Πλάτος × Βάθος)	1600 × 595 × 680 mm																																	
Βάρους (άδεια)	106 kg																																	
Βάρους (πλήρης)	314 kg																																	
Όγκος νερού του κυκλώματος θέρμανσης στη μονάδα *1	4,6 L																																	
Δοχείο διαστολής χωρίς καταπνευγμό (Πρωτεύουσα θέρμανση)	12 L																																	
Πίεση πλήρωσης	0,1 MPa																																	
Πρωτεύον κύκλωμα	Θερμιστορ ελέγχου																																	
	Βαλβίδα εκτόνωσης πίεσης (Pressure relief valve)																																	
Συσκευή ασφαλείας	Αισθητήρας ροής																																	
	Θερμοστάτης χειροκίνητης επαναφοράς BH																																	
Δεξιμένη DHW	Θερμοστάτης χειροκίνητης επαναφοράς IH																																	
	Θερμοκρασία / Βαλβίδα εκτόνωσης πίεσης (Pressure relief valve)																																	
Συνδέσεις	Νερό																																	
	Ψυκτικός (R32/ R410A)																																	
Εύρος λειτουργίας	Αέριο																																	
	Θερμοκρασία δωμάτιου																																	
Εγγυημένο εύρος λειτουργίας *2	Ψύξη																																	
	Θερμοκρασία ροής																																	
Απόδοση δεξιμένης DHW	Θερμοκρασία ροής																																	
	Θερμοκρασία ζεστού νερού																																	
Δεδωμένα ηλεκτρικής ενέργειας	Θερμοκρασία περιβάλλοντος																																	
	Εξωτερική θερμοκρασία ψύξης																																	
Επίπεδο ηχητικής ισχύος (PWL)	Μέγιστη επιτρεπόμενη θερμοκρασία ζεστού νερού																																	
	Δηλωμένο προφίλ φορτίου																																	
Επίπεδο ηχητικής ισχύος (PWL)	Μέσο κλίμα																																	
	Κλάση ενεργειακής απόδοσης θερμαντήρα νερού																																	
Επίπεδο ηχητικής ισχύος (PWL)	Πίνακας ελέγχου (Συμπληρωματικών μονομένων 4 αντλιών)																																	
	Παροχή ρεύματος (φάση, ισχύ, συχνότητα)																																	
Επίπεδο ηχητικής ισχύος (PWL)	Εισαγωγές																																	
	Ρεύμα																																	
Επίπεδο ηχητικής ισχύος (PWL)	Διακόπτης																																	
	Παροχή ρεύματος (φάση, ισχύ, συχνότητα)																																	
Επίπεδο ηχητικής ισχύος (PWL)	Ενισχυτικός θερμαντήρας																																	
	Ισχύς																																	
Επίπεδο ηχητικής ισχύος (PWL)	Ρεύμα																																	
	Διακόπτης																																	
Επίπεδο ηχητικής ισχύος (PWL)	Παροχή ρεύματος (φάση, ισχύ, συχνότητα)																																	
	Ισχύς																																	
Επίπεδο ηχητικής ισχύος (PWL)	Ρεύμα																																	
	Διακόπτης																																	
Επίπεδο ηχητικής ισχύος (PWL)	Επίπεδο ηχητικής ισχύος (PWL)																																	
	40 dB(A)																																	

<Πίνακας 3.2>

- *1 Ο όγκος κυκλώματος νερού οικιακής χρήσης, πρωτεύοντος κυκλώματος DHW (από βαλβίδα 3 κατευθύνσεων σε σημείο συρροής με κύκλωμα θέρμανσης), ο σωλήνας σε δοχείο διαστολής δεν περιλαμβάνονται σε αυτή την τιμή.
- *2 Το περιβάλλον δεν πρέπει να έχει πάνο.
- *3 Βλέπε πίνακα προδιαγραφών εξωτερικής μονάδας (ελάχι., 10°C). Η λειτουργία ψύξης δεν είναι διαθέσιμη σε χαμηλή εξωτερική θερμοκρασία. Αν χρησιμοποιείτε το σύστημα με σε λειτουργία ψύξης στη χαμηλή θερμοκρασία περιβάλλοντος (10°C ή κατώτερη), υπάρχει κίνδυνος να προκαλέσει βλάβες στον πλαστικό εναλλάκτη θερμότητας από το παγωμένο νερό.
- *4 Για το μοντέλο χωρίς ενισχυτικό θερμαντήρα και θερμαντήρα εμβάπτισης, η μέγιστη επιτρεπόμενη θερμοκρασία ζεστού νερού είναι [Μέγιστη εκκένωση νερού εξωτερικής μονάδας -3°C]. Για τη μέγιστη εκκένωση νερού εξωτερικής μονάδας, ανατρέξτε στο βιβλίο δεδομένων εξωτερικής μονάδας.
- *5 Μην τοποθετείτε θερμαντήρες εμβάπτισης χωρίς θερμοστατικούς διακόπτες. Να χρησιμοποιείτε μόνο εξαρτήματα σέρβις της Mitsubishi Electric για άμεση αντικατάσταση.

3 Τεχνικές πληροφορίες

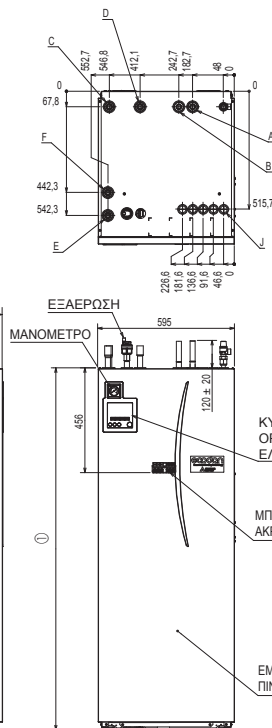
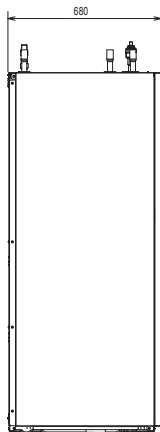
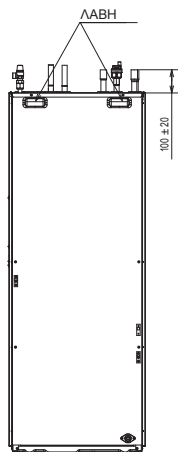
<Μονάδα: mm>

■ Τεχνικά σχέδια

<E**T***-M**D>

(Σύστημα μοντέλου κλειστού τύπου)

Χωρητικότητα δεξαμενής DHW	170L	200L	300L
①	1400	1600	2050

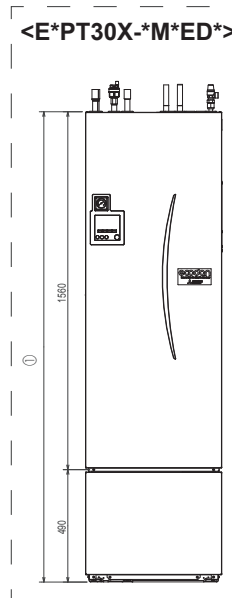


ΒΑΛΒΙΔΑ ΕΚΤΟΝΩΣΗΣ ΠΙΕΣΗΣ (ΚΥΚΛΩΜΑ ΟΙΚΙΑΚΗΣ ΧΡΗΣΗΣ)

ΚΥΡΙΟ ΟΡΓΑΝΟ ΕΛΕΓΧΟΥ

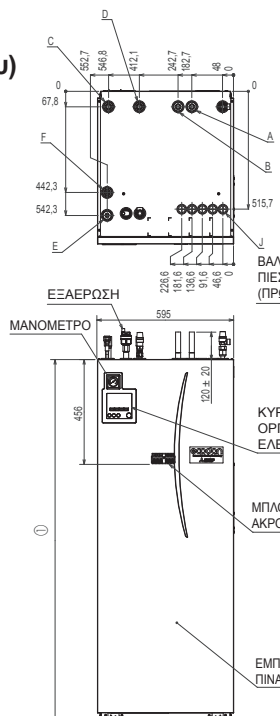
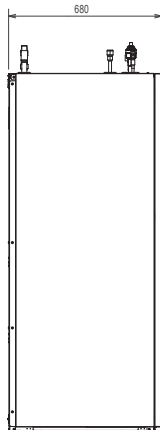
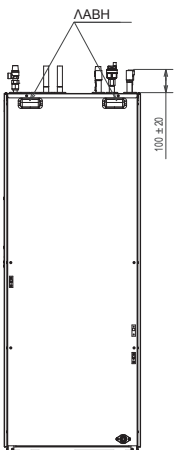
ΜΠΛΟΚ ΑΚΡΟΔΕΚΤΩΝ

ΕΜΠΡΟΣΘΙΟΣ ΠΙΝΑΚΑΣ



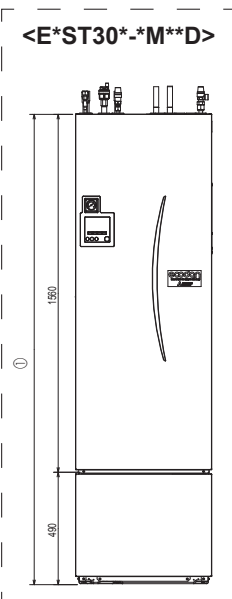
(Σύστημα μοντέλου διαχωρισμένου τύπου)

Χωρητικότητα δεξαμενής DHW	170L	200L	300L
①	1400	1600	2050



ΒΑΛΒΙΔΑ ΕΚΤΟΝΩΣΗΣ ΠΙΕΣΗΣ (ΚΥΚΛΩΜΑ ΟΙΚΙΑΚΗΣ ΧΡΗΣΗΣ)

ΒΑΛΒΙΔΑ ΕΚΤΟΝΩΣΗΣ ΠΙΕΣΗΣ (ΠΡΩΤΕΥΟΝ ΚΥΚΛΩΜΑ)



Γράμμα	Περιγραφή σωλήνων	Μέγεθος/Τύπος σύνδεσης
A	Σύνδεση εξόδου DHW	22 mm/Συμπύεση
B	Σύνδεση εισόδου κρύου νερού	22 mm/Συμπύεση
C	Σύνδεση ΕΠΙΣΤΡΟΦΗΣ θέρμανσης/ψύξης χώρου	28 mm/Συμπύεση
D	Σύνδεση ΡΟΗΣ θέρμανσης/ψύξης χώρου	28 mm/Συμπύεση
E	Σύνδεση ροής ΑΠΟ αντλία θερμότητας (Κανένας πλακοειδής εναλλάκτης θερμότητας)	28 mm/Συμπύεση
F	Σύνδεση επιστροφής ΣΕ αντλία θερμότητας (Κανένας πλακοειδής εναλλάκτης θερμότητας)	28 mm/Συμπύεση
G	Ψυκτικό (ΑΕΡΙΟ) (Με πλακοειδή εναλλάκτη θερμότητας)	12,7 mm/Πυρσό καύσης αερίων (E*ST**D-*) 15,88 mm/Πυρσό καύσης αερίων (E*ST**C-*)
H	Ψυκτικό (ΥΓΡΟ) (Με πλακοειδή εναλλάκτη θερμότητας)	6,35 mm/Πυρσό καύσης αερίων (E*ST**D-*) 9,52 mm/Πυρσό καύσης αερίων (E*ST**C-*)
J	Είσοδο ηλεκτρικών καλωδίων	Για εισόδους ①, ② και ③, σύρματα χαμηλής τάσης, συμπεριλαμβανομένων των εξωτερικών συρμάτων εισόδου και συρμάτων θερμίτορ. Για εισόδους ④ και ⑤, σύρματα υψηλής τάσης, συμπεριλαμβανομένου του καλωδίου τροφοδοσίας, του εσωτερικού-εξωτερικού καλωδίου και των εξωτερικών συρμάτων εξόδου. *Για καλώδιο ασύρματου δέκτη (επιλογή) και καλώδιο διεπαφής ecodan Wi-Fi (επιλογή), χρησιμοποιήστε είσοδο ①.

⚠ Προειδοποίηση
 • Οι σωλήνες σύνδεσης ψυκτικού θα πρέπει να είναι προσβάσιμοι για λόγους συντήρησης.
 • Σε περίπτωση επανασύνδεσης των σωλήνων ψυκτικού μετά από αποσύνδεση, κάντε το καίόμενο μέρος του σωλήνα ανακατασκευάσιμο.

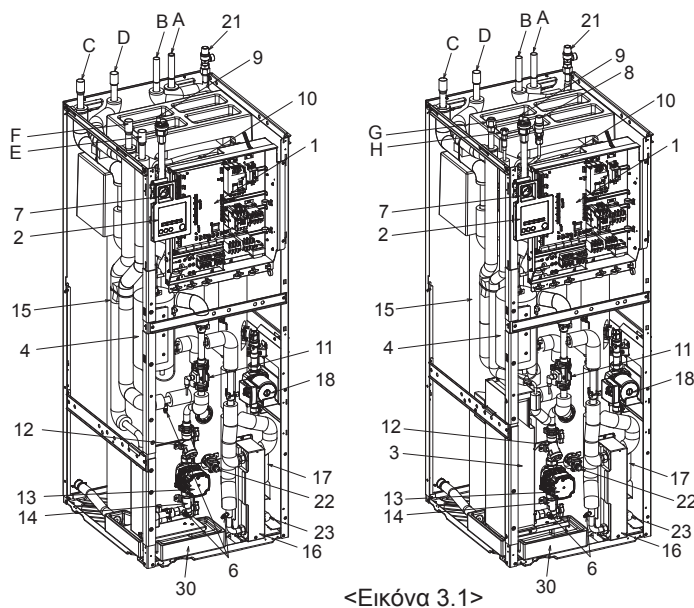
<Πίνακας 3.4>

3 Τεχνικές πληροφορίες

■ Εξαρτήματα

<E**T***-M**D>

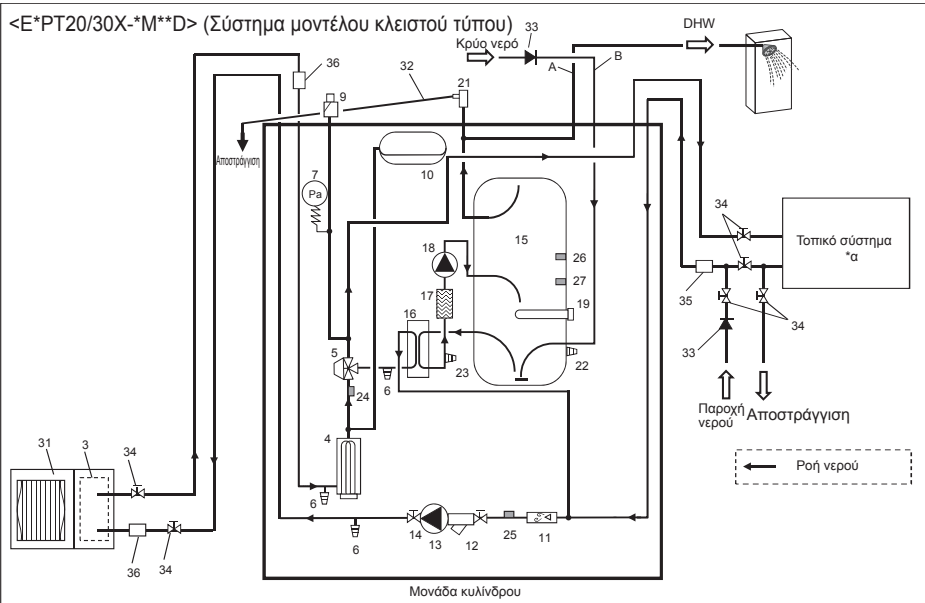
(Σύστημα μοντέλου κλειστού τύπου) (Σύστημα μοντέλου διαχωρισμένου τύπου)



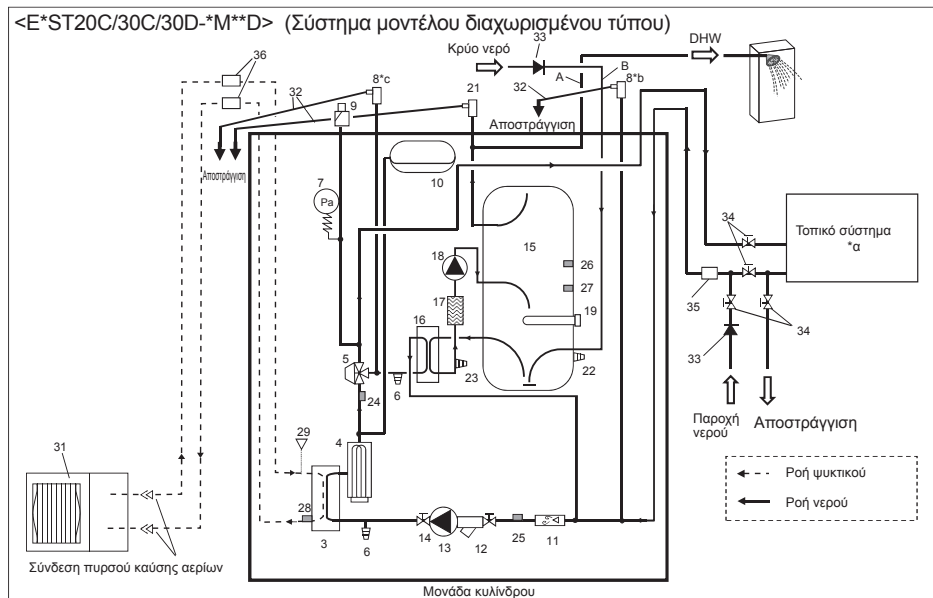
Σημείωση:
Για την εγκατάσταση όλων των μοντέλων E**T***-M**ED*, φροντίστε να εγκαταστήσετε ένα πρωτεύον-δευτερεύον δοχείο διαστολής κατάλληλου μεγέθους και μια επιπρόσθετη PRV για να αποφευχθεί η έκρηξη του δοχείου διαστολής στο πεδίο. (Βλέπε εικόνα 3.2 ~ 3.3 και 4.3.2 για περαιτέρω καθοδήγηση)

<Εικόνα 3.1>

■ Διάγραμμα κυκλώματος νερού



<Εικόνα 3.2>



<Εικόνα 3.3>

Αρ.	Ονομασία μέρους
A	Σωλήνας εξόδου DHW
B	Σωλήνας εισόδου κρύου νερού
C	Σωλήνας νερού (Σύνδεση επιστροφής θέρμανσης/ψύξης χώρου)
D	Σωλήνας νερού (Σύνδεση ροής θέρμανσης/ψύξης χώρου)
E	Σωλήνας νερού (Ροή από σύνδεση αντλίας θερμότητας)
F	Σωλήνας νερού (Επιστροφή σε σύνδεση αντλίας θερμότητας)
G	Σωλήνας ψυκτικού (Αέριο)
H	Σωλήνας ψυκτικού (Υγρό)
1	Ηλεκτρικός πίνακας ελέγχου
2	Κύριο τηλεχειριστήριο
3	Πλακοειδής εναλλάκτης θερμότητας (Ψυκτικό - Νερό)
4	Θερμαντήρας εμβάπτισης 1,2
5	Βαλβίδα 3 κατευθύνσεων
6	Στόμιο εκκένωσης (Πρωτεύον κύκλωμα)
7	Μανόμετρο
8	Βαλβίδα εκτόνωσης πίεσης (3bar)
9	Αυτόματη εξαέρωση
10	Δοχείο διαστολής (Πρωτεύον κύκλωμα)
11	Αισθητήρας ροής
12	Βαλβίδα φίλτρου
13	Αντλία κυκλοφορίας νερού 1 (Πρωτεύον κύκλωμα)
14	Βαλβίδα αντλίας
15	Δεξαμενή DHW
16	Πλακοειδής εναλλάκτης θερμότητας (Νερό - Νερό)
17	Διαχωριστήρας ακαθαρσιών
18	Αντλία κυκλοφορίας νερού (Κύκλωμα οικιακής χρήσης)
19	Θερμαντήρας εμβάπτισης *1
20	Θερμοκρασία και βαλβίδα εκτόνωσης πίεσης *1
21	Βαλβίδα εκτόνωσης πίεσης (10bar) (Δεξαμενή DHW)
22	Στόμιο εκκένωσης (Δεξαμενή DHW)
23	Στόμιο εκκένωσης (Κύκλωμα οικιακής χρήσης)
24	Θερμίστορ θερμ. ροής νερού (THW1)
25	Θερμίστορ θερμ. επιστροφής νερού (THW2)
26	Ανω θερμίστορ θερμ. νερού δεξαμενής DHW (THW5A)
27	Κάτω θερμίστορ θερμ. νερού δεξαμενής DHW (THW5B)
28	Θερμίστορ θερμ. υγρού ψυκτικού (TH2)
29	Αισθητήρας πίεσης
30	Δοχείο αποστράγγισης
31	Εξωτερική μονάδα
32	Σωλήνας αποστράγγισης (Τοπική παροχή)
33	Συσκευή αποφυγής οπίσθιας ροής (Τοπική παροχή)
34	Βαλβίδα απομόνωσης (Τοπική παροχή)
35	Μαγνητικό φίλτρο (Τοπική παροχή) (Συνιστάται)
36	Φίλτρο (Τοπική παροχή)
37	Επιπρόσθετη PRV (Τοπική παροχή)
38	Ομάδα ελέγχου εισόδου *1
39	Βρόγχος πλήρωσης (Σφαιρικές βαλβίδες, βαλβίδες ελέγχου και εύκαμπτος σωλήνας) *1
40	Δοχείο διαστολής πόσιμου νερού *1

*1 Παρέχεται MONO με μοντέλο Ηνωμένου Βασιλείου. Παρακαλούμε ανατρέξτε στο Εγχειρίδιο Εγκατάστασης PAC-WK02UK-E για περισσότερες πληροφορίες γύρω από τα εξαρτήματα.

<Πίνακας 3.5>

Μεταβείτε στον ιστότοπο της Mitsubishi για να δείτε το κύκλωμα νερού άλλων μονάδων και τα εξαρτήματα κάθε μονάδας.

*α Ανατρέξτε στην ακόλουθη ενότητα [Local system] (Τοπικό σύστημα).

*β Μόνο E**T20

*γ Μόνο E**T30

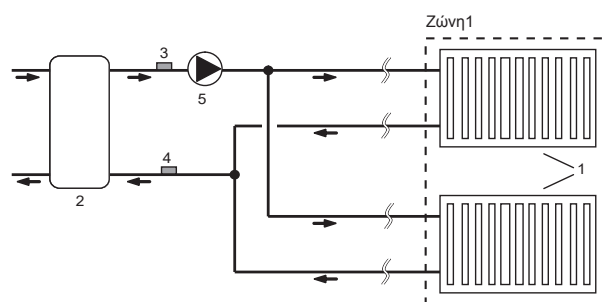
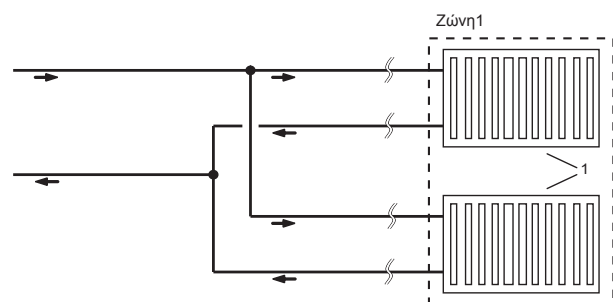
Σημείωση

- Για την ενεργοποίηση αποστράγγισης της μονάδας κυλίνδρου θα πρέπει να τοποθετηθεί μια βαλβίδα απομόνωσης στη σωλήνωση εισόδου και εξόδου.
- Φροντίστε να εγκαταστήσετε ένα φίλτρο στη σωλήνωση εισόδου της μονάδας κυλίνδρου.
- Θα πρέπει να τοποθετηθεί σωλήνωση αποστράγγισης σε όλες τις βαλβίδες εκτόνωσης σύμφωνα με τους κανονισμούς της χώρας σας.
- Θα πρέπει να εγκατασταθεί μια συσκευή αποφυγής οπίσθιας ροής στον σωλήνα παροχής κρύου νερού (IEC 61770)
- Όταν χρησιμοποιείτε εξαρτήματα κατασκευασμένα από διαφορετικά μέταλλα ή σωλήνες σύνδεσης κατασκευασμένοι από διαφορετικά μέταλλα, μονώστε τις συνδέσεις για να αποφευχθεί οποιαδήποτε διαβρωτική αντίδραση που ενδέχεται να προκαλέσει βλάβη στη σωλήνωση.

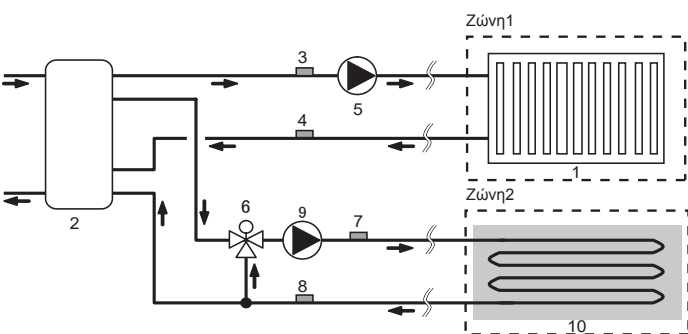
3 Τεχνικές πληροφορίες

■ Τοπικό σύστημα

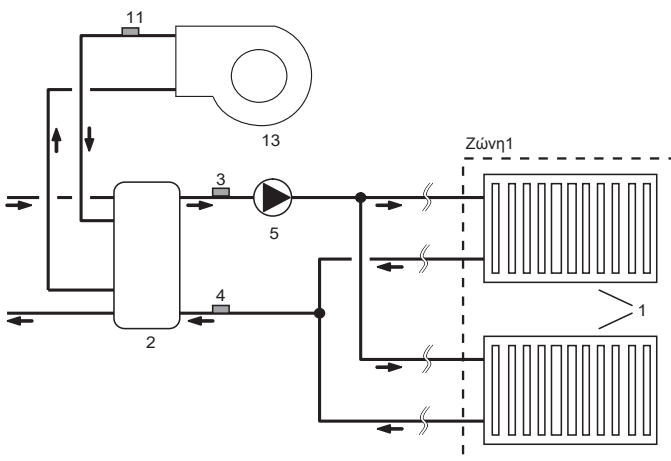
Έλεγχος θερμοκρασίας 1 ζώνης



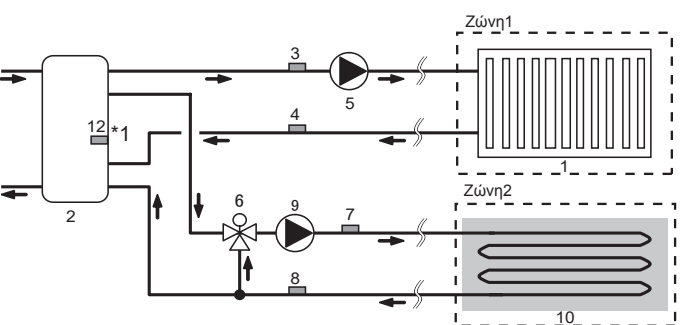
Έλεγχος θερμοκρασίας 2 ζωνών



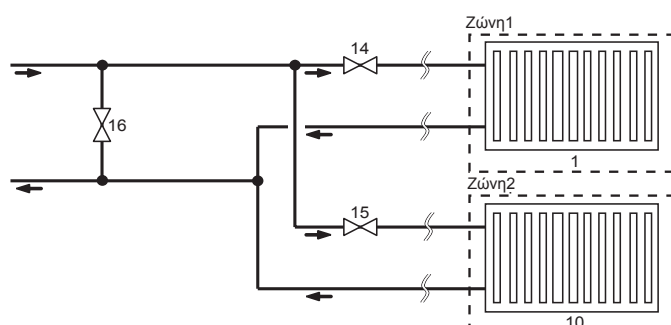
Έλεγχος θερμοκρασίας 1 ζώνης με μπόιλερ



Έλεγχος θερμοκρασίας 2 ζωνών και έλεγχος δεξαμενής ενδιάμεσης μνήμης



Έλεγχος θερμοκρασίας 1 ζώνης (έλεγχος ΕΝΕΡΓΟΠΟΙΗΣΗ/ ΑΠΕΝΕΡΓΟΠΟΙΗΣΗ βαλβίδας 2 ζωνών)



1. Θερμαντικά σώματα Ζώνη 1 (π.χ. καλοριφέρ, μονάδα πηνίου ανεμιστήρα) (τοπική παροχή)
2. Δεξαμενή ανάμειξης (τοπική παροχή)
3. Θερμίστορ θερμ. ροής νερού Ζώνη 1 (THW6)
4. Θερμίστορ θερμ. επιστροφής νερού Ζώνη 1 (THW7) } Προαιρετικό κομμάτι : PAC-TH011-E
5. Αντλία κυκλοφορίας νερού Ζώνη 1 (τοπική παροχή)
6. Βαλβίδα ανάμειξης με κινητήρα (τοπική παροχή)
7. Θερμίστορ θερμ. ροής νερού Ζώνη 2 (THW8)
8. Θερμίστορ θερμ. επιστροφής νερού Ζώνη 2 (THW9) } Προαιρετικό κομμάτι : PAC-TH011-E
9. Αντλία κυκλοφορίας νερού Ζώνη 2 (τοπική παροχή)

10. Θερμαντικά σώματα Ζώνη 2 (π.χ. υποδαπέδια θέρμανση) (τοπική παροχή)
11. Θερμίστορ θερμ. ροής νερού με μπόιλερ (THWB1)
12. Θερμίστορ δεξαμενής ανάμειξης (THW10) *1 } Προαιρετικό κομμάτι : PAC-TH012HT(L)-E
13. Μπόιλερ (τοπική παροχή)
14. Βαλβίδα 2 κατευθύνσεων Ζώνη 1 (τοπική παροχή)
15. Βαλβίδα 2 κατευθύνσεων Ζώνη 2 (τοπική παροχή)
16. Βαλβίδα παράκαμψης (τοπική παροχή)

*1 MONO έλεγχος δεξαμενής ενδιάμεσης μνήμης (θέρμανση/ψύξη) ισχύει για το "Εξυπνο δίκτυο".

4 Εγκατάσταση

<Προετοιμασία πριν την εγκατάσταση και το σέρβις>

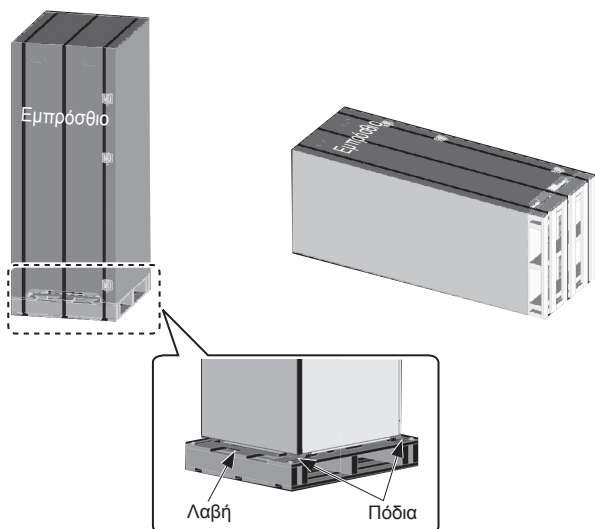
- Προετοιμάστε τα κατάλληλα εργαλεία.
- Προετοιμάστε την κατάλληλη προστασία.
- Αφήστε τα εξαρτήματα να κρυώσουν πριν επιχειρήσετε οποιαδήποτε συντήρηση.
- Χορηγήστε επαρκή εξαερισμό.
- Εφόσον διακοπεί η λειτουργία του συστήματος, απενεργοποιήστε το διακόπτη παροχής ρεύματος και αφαιρέστε την πρίζα τροφοδοσίας.
- Αποφορτίστε τον πυκνωτή πριν ξεκινήσετε εργασίες που περιλαμβάνουν τα ηλεκτρικά μέρη.

<Προφυλάξεις κατά τη διάρκεια του σέρβις>

- Μην εκτελείτε εργασίες που περιλαμβάνουν ηλεκτρικά μέρη με γυμνά χέρια.
- Μην αδειάζετε νερό ή υγρό μέσα στα ηλεκτρικά μέρη.
- Μην αγγίζετε το ψυκτικό.
- Μην αγγίζετε τις ζεστές ή κρύες επιφάνειες στον κύκλο του ψυκτικού.
- Όταν η επισκευή ή η επιθεώρηση του κυκλώματος πρέπει να διεξαχθεί χωρίς να απενεργοποιηθεί η τροφοδοσία ρεύματος, δώστε μεγάλη προσοχή ώστε να ΜΗΝ αγγίξετε τυχόν ΕΝΕΡΓΑ μέρη.

4.1 Τοποθεσία

■ Μεταφορά και χειρισμός



<Εικόνα 4.1.1>

Η μονάδα κυλίνδρου παραδίδεται σε μια ξύλινη βάση παλέτα με προστασία από χαρτόνι.

Θα πρέπει να προσέχετε κατά τη μεταφορά της μονάδας κυλίνδρου ώστε να μην προκληθεί βλάβη στο περιβλήμα της από πρόσκρουση. Μην αφαιρέσετε την προστατευτική συσκευασία μέχρι να φτάσει στην τελική θέση της η μονάδα κυλίνδρου. Αυτό θα βοηθήσει στην προστασία της δομής και του πίνακα ελέγχου.

- Η μονάδα κυλίνδρου μπορεί να μεταφερθεί κάθετα ή οριζόντια. Αν μεταφέρεται οριζόντια, ο πίνακας με τη σήμανση "Front" (Εμπρόσθιος) θα πρέπει να βλέπει **ΠΡΟΣ ΤΑ ΠΑΝΩ** <Εικόνα 4.1.1>.
- Η μονάδα κυλίνδρου θα πρέπει ΠΑΝΤΑ να μετακινείται από 3 άτομα τουλάχιστον.
- Όταν κουβαλάτε την μονάδα κυλίνδρου να χρησιμοποιείτε τις λαβές που παρέχονται.
- Πριν χρησιμοποιήσετε τις λαβές, βεβαιωθείτε ότι έχουν τοποθετηθεί με ασφάλεια.
- **Παρακαλούμε αφαιρέστε την εμπρόσθια λαβή, τα πόδια στερέωσης, την ξύλινη βάση και τυχόν άλλα μέρη συσκευασίας, εφόσον η μονάδα φτάσει στη θέση εγκατάστασης.**
- Διατηρήστε τις λαβές για μελλοντική μεταφορά.

■ Κατάλληλη θέση

Πριν την εγκατάσταση της μονάδας κυλίνδρου θα πρέπει να τη φυλάξετε σε θέση προστατευμένη από τις καιρικές συνθήκες και τον πάγο. Οι μονάδες **δεν ΠΡΕΠΕΙ** να στοιβάζονται.

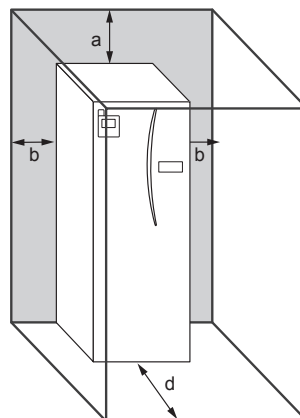
- Η μονάδα κυλίνδρου θα πρέπει να εγκαθίσταται σε εσωτερικό χώρο σε θέση ασφαλή από τις καιρικές συνθήκες και πάγο.
- Εγκαταστήστε την μονάδα κυλίνδρου σε σημείο που δεν εκτίθεται σε νερό/ υπερβολική υγρασία.
- Η μονάδα κυλίνδρου θα πρέπει να τοποθετηθεί σε επίπεδη επιφάνεια που θα είναι ικανή να υποστηρίξει το ΠΛΗΡΕΣ βάρος της. (Μπορούν να χρησιμοποιηθούν προσαρμοσίμα πόδια (εξαρτήματα) για να εξασφαλιστεί η επίπεδη θέση της μονάδας)
- Όταν χρησιμοποιείτε τα προσαρμοσίμα πόδια, βεβαιωθείτε ότι το δάπεδο είναι αρκετά δυνατό.
- Θα πρέπει να προσέχετε ώστε να τηρούνται οι ελάχιστες αποστάσεις γύρω και μπροστά από τη μονάδα ώστε να υπάρχει πρόσβαση σε περίπτωση σέρβις <Εικόνα 4.1.2>.
- Ασφαλίστε τη μονάδα κυλίνδρου για να μην ανατραπεί.

■ Διαγράμματα πρόσβασης για σέρβις

Πρόσβαση για σέρβις	
Παράμετρος	Διάσταση (mm)
a	300*
b	150
c (η απόσταση πίσω από τη μονάδα δεν είναι ορατή στην Εικόνα 4.1.2)	10
d	500

<Πίνακας 4.1.1>

Θα ΠΡΕΠΕΙ να υπάρχει επαρκής χώρος για την παροχή σωλήνωσης εκκένωσης όπως περιγράφεται στους Εθνικούς και Τοπικούς Κανονισμούς Κτιρίων.



<Εικόνα 4.1.2>

Πρόσβαση για σέρβις

* Απαιτείται ένας επιπρόσθετος χώρος 300 mm (σύνολο 600 mm), όταν εγκαθιστάτε τον προαιρετικό εξοπλισμό 2 ζωνών (PAC-TZ02-E) στο πάνω μέρος της μονάδας κυλίνδρου.

Η μονάδα κυλίνδρου πρέπει να τοποθετείται σε εσωτερικό χώρο και σε περιβάλλον χωρίς πάγο, για παράδειγμα σε βοηθητικό δωμάτιο για να ελαχιστοποιείται η απώλεια θερμότητας από το φυλασσόμενο νερό.

■ Επανατοποθέτηση

Αν χρειάζεται να μετακινήσετε τη μονάδα κυλίνδρου σε μια νέα θέση, ΑΠΟΣΤΡΑΓΓΙΣΤΕ ΠΛΗΡΩΣ τη μονάδα κυλίνδρου πριν τη μετακινήσετε για να αποφύγετε βλάβες στη μονάδα.

4.2 Ποιότητα νερού και προετοιμασία συστήματος

Γενικά

- Το νερό τόσο στο πρωτεύον όσο και στο οικιακής χρήσης κύκλωμα θα πρέπει να είναι καθαρό με τιμή pH 6,5-8,0
- Τα παρακάτω είναι οι μέγιστες τιμές:
Ασβέστιο: 100 mg/L, σκληρότητα Ca: 250 mg/L
Χλωρίδιο: 100 mg/L, Χαλκός: 0,3 mg/L
- Λοπά συστατικά θα πρέπει να πληρούν τα πρότυπα της Ευρωπαϊκής Οδηγίας 98/83 ΕΚ.
- Σε γνωστές περιοχές σκληρού νερού, για την αποφυγή/ελαχιστοποίηση της κλιμάκωσης, καλό είναι να περιορίσετε τη θερμοκρασία αποθηκευμένου νερού ρουτίνας (DHW μέγ. θερμ.) στους 55°C.

Αντιψυκτικό

Τα αντιψυκτικά διαλύματα θα πρέπει να χρησιμοποιούν προπυλενογλυκόλη με αξιολόγηση τοξικότητας Κλάσης 1 όπως αναγράφεται στην Κλινική Τοξικολογία Εμπορικών Προϊόντων, 5η Έκδοση.

Σημείωση:

1. Η αιθυλενογλυκόλη είναι τοξική και ΔΕΝ πρέπει να χρησιμοποιείται στο πρωτεύον κύκλωμα νερού σε περίπτωση διασταυρωμένης μόλυνσης του κυκλώματος πόσιμου νερού.
2. Για τον έλεγχο ΕΝΕΡΓΟΠΟΙΗΣΗ/ΑΠΕΝΕΡΓΟΠΟΙΗΣΗ της βαλβίδας 2 ζωνών, θα πρέπει να χρησιμοποιείται προπυλενογλυκόλη.

Νέα εγκατάσταση (πρωτεύον κύκλωμα νερού)

- Πριν τη σύνδεση της εξωτερικής μονάδας, καθαρίστε διεξοδικά τη σωλήνωση από συσσωρευμένα υπολείμματα, καλά, κτλ. χρησιμοποιώντας ένα κατάλληλο χημικό καθαριστικό.
- Ξεπλύνετε το σύστημα για να απομακρύνετε το χημικό καθαριστικό.
- Για όλα τα συστήματα μοντέλων κλειστού τύπου και το μοντέλο διαχωρισμένου τύπου ή το σύστημα PUMY χωρίς ενισχυτικό θερμοαντήρα, προσθέστε ένα συνδυασμένο ανασταλτικό και αντιψυκτικό διάλυμα για να αποφύγετε τυχόν βλάβες στη σωλήνωση και στα εξαρτήματα του συστήματος.
- Για συστήματα μοντέλων διαχωρισμένου τύπου, ο υπεύθυνος εγκατάστασης θα πρέπει να αποφασίσει αν το αντιψυκτικό διάλυμα είναι απαραίτητο για τις συνθήκες κάθε χώρου. Ωστόσο, θα πρέπει ΠΑΝΤΑ να χρησιμοποιείτε ανασταλτικό διάβρωσης.

Υπάρχουσα εγκατάσταση (πρωτεύον κύκλωμα νερού)

- Πριν τη σύνδεση της εξωτερικής μονάδας, το υπάρχον κύκλωμα θέρμανσης ΠΡΕΠΕΙ να καθαρίζεται χημικά για την απομάκρυνση υπαρχόντων υπολειμμάτων από το κύκλωμα θέρμανσης.
- Ξεπλύνετε το σύστημα για να απομακρύνετε το χημικό καθαριστικό.
- Για όλα τα συστήματα μοντέλων κλειστού τύπου και το μοντέλο διαχωρισμένου τύπου ή το σύστημα PUMY χωρίς ενισχυτικό θερμοαντήρα, προσθέστε ένα συνδυασμένο ανασταλτικό και αντιψυκτικό διάλυμα για να αποφύγετε τυχόν βλάβες στη σωλήνωση και στα εξαρτήματα του συστήματος.
- Για συστήματα μοντέλων διαχωρισμένου τύπου, ο υπεύθυνος εγκατάστασης θα πρέπει να αποφασίσει αν το αντιψυκτικό διάλυμα είναι απαραίτητο για τις συνθήκες κάθε χώρου. Ωστόσο, θα πρέπει ΠΑΝΤΑ να χρησιμοποιείτε ανασταλτικό διάβρωσης.

Όταν χρησιμοποιείτε χημικά καθαριστικά και ανασταλτικά να ακολουθείτε πάντα τις οδηγίες του κατασκευαστή και να εξασφαλίζετε ότι το προϊόν είναι κατάλληλο για τα υλικά που χρησιμοποιούνται στο κύκλωμα νερού

4.3 Σωλήνωση νερού

Σωλήνωση ζεστού νερού

Η μονάδα κυλίνδρου είναι ΧΩΡΙΣ ΚΑΠΝΑΓΩΓΟ. Κατά την εγκατάσταση συστημάτων ζεστού νερού χωρίς καπναγωγό, θα πρέπει να τηρούνται οι κανονισμοί κτιρίων μέρους G3 (Αγγλία και Ουαλία), P3 (Σκωτία) και P5 (Βόρεια Ιρλανδία). Αν βρίσκεστε εκτός του Ηνωμένου Βασιλείου, παρακαλούμε να τηρείτε τους κανονισμούς της χώρας σας για συστήματα ζεστού νερού χωρίς καπναγωγό.

Συνδέστε τη ροή για το DHW με το σωλήνα A (Εικόνα 3.1).

Η λειτουργία των ακόλουθων εξαρτημάτων ασφαλείας της μονάδας κυλίνδρου θα πρέπει να ελεγχθεί κατά την εγκατάσταση για τυχόν ανωμαλίες:

- Βαλβίδα εκτόνωσης πίεσης (Πρωτεύον κύκλωμα και δεξαμενή)
- Προ-πλήρωση δοχείου διαστολής (πίεση πλήρωσης αερίου)

Οι οδηγίες στις ακόλουθες σελίδες σχετικά με την ασφαλή εκκένωση ζεστού νερού από Συσκευές ασφαλείας θα πρέπει να ακολουθηθούν προσεκτικά.

- Η σωλήνωση θα γίνει πολύ ζεστή, έτσι θα πρέπει να μονωθεί για την αποφυγή εγκαυμάτων.
- Κατά τη σύνδεση της σωλήνωσης, βεβαιωθείτε ότι δεν εισέρχονται μέσα στο σωλήνα ξένα αντικείμενα όπως υπολείμματα ή παρόμοια.

Σωλήνωση κρύου νερού

Θα πρέπει να εισαχθεί κρύο νερό κατάλληλου προτύπου (βλέπε ενότητα 4.2) στο σύστημα συνδέοντας το σωλήνα Β (Εικόνα 3.1) με τη χρήση κατάλληλων εξαρτημάτων.

■ Η ελάχιστη ποσότητα νερού που απαιτείται στο κύκλωμα θέρμανσης/ψύξης χώρου

Εξωτερική μονάδα αντλίας θερμότητας	Μέσο/Θερμότερο κλίμα**		Ψυχρότερο κλίμα**	
	Εσωτερική μονάδα με ποσότητα νερού [L]	*Επιπρόσθετη απαιτούμενη ποσότητα νερού [L]	Εσωτερική μονάδα με ποσότητα νερού [L]	*Επιπρόσθετη απαιτούμενη ποσότητα νερού [L]
Μοντέλο κλειστού τύπου	PUZ-WM50	2	5	24
	PUZ-WM60	4		29
	PUZ-WM85	7		32
	PUZ-WM112	11		43
	PUZ-HWM140	15		55
Μοντέλο διαχωρισμένου τύπου	SUZ-SWM40	1	5	12
	SUZ-SWM60	2		21
	SUZ-SWM80	4		29
	PUD-S(H)WM60	4		21
	PUD-S(H)WM80	6		29
	PUD-S(H)WM100	9		38
	PUD-S(H)WM120	12		47
	PUD-SHW140	15		55
	PUHZ-FRP71	6		27
	PUHZ-SW75	6		27
	PUHZ-SW100	9		38
	PUHZ-SW120	12		47
	PUHZ-SHW80	6		29
	PUHZ-SHW112	11		43
	PUHZ-SHW140	15		55
PUMY-P112	22	75		
PUMY-P125	22	75		
PUMY-P140	22	75		

<Πίνακας 4.2.1>

- * Αν υπάρχει κύκλωμα παράκαμψης, ο ως άνω πίνακας δείχνει ότι απαιτείται ελάχιστη ποσότητα νερού σε περίπτωση παράκαμψης.
- ** Παρακαλούμε ανατρέξτε στην Οδηγία 2009/125/ΕΚ: Οδηγία και Κανονισμός περί προϊόντων συνδεδεμένων με την ενέργεια (ΕΚ) Αρ. 813/2013 για επιβεβαίωση της κλιματικής ζώνης σας.

- Περίπτωση 1. Κανένας διαχωρισμός μεταξύ του πρωτεύοντος και δευτερεύοντος κυκλώματος
- Παρακαλούμε διασφαλίστε την απαιτούμενη ποσότητα νερού σύμφωνα με τον πίνακα 4.2.1 μέσω του σωλήνα νερού και καλοριφέρ ή υποδαπέδιας θέρμανσης.
- Περίπτωση 2. Χωριστό πρωτεύον και δευτερεύον κύκλωμα
- Αν δεν είναι διαθέσιμη η λειτουργία ενδοσφάλισης της πρωτεύουσας και δευτερεύουσας αντλίας, παρακαλούμε διασφαλίστε το απαιτούμενο επιπρόσθετο νερό μόνο στο πρωτεύον κύκλωμα σύμφωνα με τον πίνακα 4.2.1.
 - Αν είναι διαθέσιμη η λειτουργία ενδοσφάλισης της πρωτεύουσας και δευτερεύουσας αντλίας, παρακαλούμε διασφαλίστε την συνολική ποσότητα νερού του πρωτεύοντος και δευτερεύοντος κυκλώματος σύμφωνα με τον πίνακα 4.2.1.
- Σε περίπτωση έλλειψης της απαιτούμενης ποσότητας νερού, παρακαλούμε εγκαταστήστε ενδιάμεση δεξαμενή.

■ Αποφυγή αρνητικής πίεσης

Για να αποφύγετε την επίδραση της αρνητικής πίεσης στη δεξαμενή DHW, ο υπεύθυνος εγκατάστασης θα πρέπει να εγκαταστήσει κατάλληλη σωλήνωση ή να χρησιμοποιήσει κατάλληλες συσκευές.

■ Εργασία υδραυλικού φίλτρου (ΜΟΝΟ για τη σειρά Ε*ΡΤ)

Εγκαταστήστε ένα υδραυλικό φίλτρο ή φίλτρο (τοπική παροχή) στην είσοδο νερού ("Σωλήνας Ε" στην Εικ.3.1)

■ Συνδέσεις σωλήνωσης

Θα πρέπει να πραγματοποιηθούν συνδέσεις στη μονάδα κυλίνδρου χρησιμοποιώντας τη συμπίεση 22 mm ή 28 mm όπως απαιτείται. Κατά τη σύνδεση σωλήνων DHW με τη χρήση εξαρτημάτων συμπίεσης, εισάγετε επένδυση χαλκού για σωλήνα DHW (μέρη εξαρτημάτων) μέσα στους σωλήνες και σφίξτε τους από τις 0,75 στις 1,25 στροφές. Μην σφίγγετε υπερβολικά τα εξαρτήματα συμπίεσης, καθώς αυτό θα οδηγήσει στην παραμόρφωση του δακτυλίου συμπίεσης και σε ενδεχόμενη διαρροή. Σημείωση: Πριν τη συγκόλληση σωλήνων στο πεδίο, προστατεύστε τους σωλήνες στην μονάδα κυλίνδρου χρησιμοποιώντας βρεγμένες πετσέτες, κτλ. ως "ασπίδα θερμότητας".

■ Μόνωση της σωλήνωσης

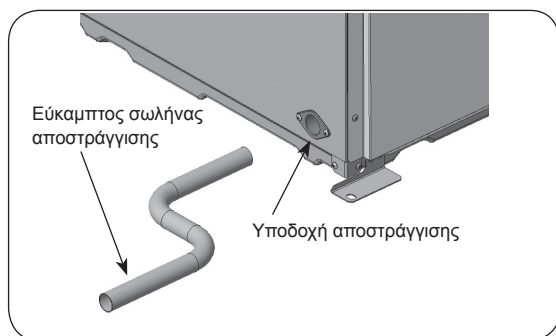
- Όλη η εκτεθειμένη σωλήνωση νερού θα πρέπει να είναι μονωμένη για την αποφυγή μη απαραίτητης απώλειας θερμότητας και συμπίκνωσης. Για να αποφύγετε την είσοδο συμπυκνωμάτων στη μονάδα κυλίνδρου, η σωλήνωση και οι συνδέσεις στο πάνω μέρος της μονάδας κυλίνδρου θα πρέπει να μονωθούν προσεκτικά.
- Οι σωλήνες ζεστού και κρύου νερού δεν πρέπει να λειτουργούν κοντά η μια στην άλλη, να είναι επικτό, για την αποφυγή ανεπιθύμητης μεταφοράς θερμότητας.
- Η σωλήνωση μεταξύ της εξωτερικής αντλίας θερμότητας και της μονάδας κυλίνδρου θα πρέπει να είναι μονωμένη με κατάλληλο μονωτικό υλικό σωλήνων με θερμική αγωγιμότητα $\leq 0,04$ W/m.K.

4 Εγκατάσταση

■ Σωλήνωση αποστράγγισης (Μόνο για τη σειρά ER)

Το προαιρετικό κομμάτι 'Βάση δοχείου αποστράγγισης' δεν χρειάζεται να τοποθετηθεί εφόσον έχει εγκατασταθεί το δοχείο αποστράγγισης. Η αποστράγγιση θα πρέπει να τοποθετηθεί από την υποδοχή αποστράγγισης στην αριστερή πίσω πλευρά της μονάδας. Ο σωλήνας αποστράγγισης θα πρέπει να εγκατασταθεί για αποστράγγιση του συμπυκνωμένου νερού κατά τη λειτουργία ψύξης.

- Για να αποφευχθεί η άμεση αποστράγγιση ακάθαρτου νερού πάνω στο δάπεδο δίπλα στην μονάδα κυλίνδρου, παρακαλούμε συνδέστε κατάλληλο σωλήνα εκκένωσης από το δοχείο αποστράγγισης του κυλίνδρου.
- Εγκαταστήστε με ασφάλεια το σωλήνα αποστράγγισης για να αποφύγετε τυχόν διαρροή από την ένωση.
- Μονώστε με ασφάλεια το σωλήνα αποστράγγισης για να αποφύγετε τυχόν πιπίλισμα από τον τοπικά παρεχόμενο σωλήνα αποστράγγισης.
- Εγκαταστήστε το σωλήνα αποστράγγισης με καθοδική κλίση 1/100 ή περισσότερο.
- Μην τοποθετείτε το σωλήνα αποστράγγισης στο κανάλι αποστράγγισης όπου υπάρχει θειικό αέριο.
- Μετά την εγκατάσταση, ελέγξτε αν ο σωλήνας αποστράγγισης αποστραγγίζει σωστά το νερό από την έξοδο του σωλήνα σε κατάλληλη θέση εκκένωσης.



<Εικόνα 4.3.1>

<Εγκατάσταση>

1. Η υποδοχή αποστράγγισης (εσωτερική διάμετρος 26mm) βρίσκεται στην αριστερή πίσω πλευρά της μονάδας κυλίνδρου. (Εικόνα 4.3.1)
2. Στερεώστε το σωλήνα αποστράγγισης (VP-20) που ταιριάζει στην υποδοχή αποστράγγισης με κόλλα πολυβινυλοχλωριδίου.
3. Τοποθετήστε τη σωλήνωση αποστράγγισης μέχρι την έξοδο με καθοδική κλίση πάνω από ένα εκατοστό.

Σημείωση: Υποστηρίξτε με ασφάλεια τον τοπικά παρεχόμενο σωλήνα αποστράγγισης για να αποφύγετε την πιπίση του σωλήνα αποστράγγισης από την υποδοχή αποστράγγισης.



■ Καθορισμός διαστάσεων των δοχείων διαστολής

Ο όγκος του δοχείου διαστολής θα πρέπει να ταιριάζει με τον όγκο νερού του τοπικού συστήματος.

Για τον καθορισμό διαστάσεων ενός δοχείου διαστολής για το κύκλωμα θέρμανσης, μπορεί να χρησιμοποιηθεί ο ακόλουθος τύπος και γράφημα. Όταν ο απαραίτητος όγκος του δοχείου διαστολής υπερβαίνει τον όγκο ενός ενσωματωμένου δοχείου διαστολής, εγκαταστήστε ένα επιπρόσθετο δοχείο διαστολής ώστε το σύνολο των όγκων των δοχείων διαστολής να υπερβαίνει τον απαραίτητο όγκο του δοχείου διαστολής.

* Για την εγκατάσταση ενός μοντέλου E**T***·M*ED*, χορηγήστε και εγκαταστήστε ένα κατάλληλο πρωτεύον-δευτερεύον δοχείο διαστολής και επιπρόσθετη βαλβίδα εκτόνωσης πίεσης 3 bar στο πεδίο εφόσον το μοντέλο ΔΕΝ διαθέτει εγκατεστημένο πρωτεύον-δευτερεύον δοχείο διαστολής.

$$V = \frac{\varepsilon \times G}{1 - \frac{P_1 + 0,098}{P_2 + 0,098}}$$

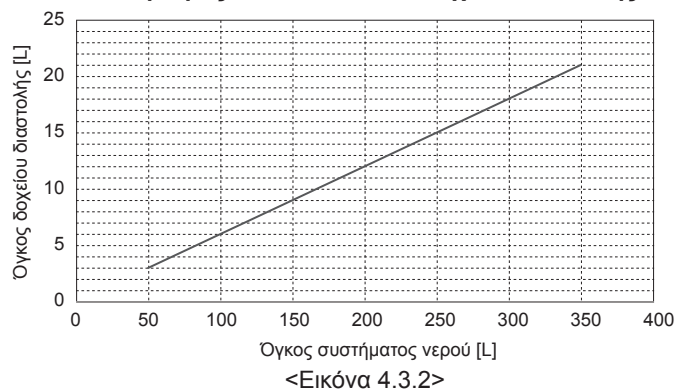
Όπου:

- V : Απαραίτητος όγκος δοχείου διαστολής [L]
- ε : Συντελεστής διαστολής νερού
- G : Συνολικός όγκος νερού στο σύστημα [L]
- P₁ : Πίεση ρύθμισης δοχείου διαστολής [MPa]
- P₂ : Μέγ. πίεση κατά τη διάρκεια λειτουργίας [MPa]

Το γράφημα στα δεξιά είναι για τις ακόλουθες τιμές

- ε : στους 70°C = 0,0229
- P₁ : 0,1 MPa
- P₂ : 0,3 MPa
- *Α έχει προστεθεί 30% περιθώριο ασφαλείας.

Καθορισμός διαστάσεων του δοχείου διαστολής



<Εικόνα 4.3.2>

4 Εγκατάσταση

■ Χαρακτηριστικά αντλίας κυκλοφορίας νερού

1. Πρωτεύον κύκλωμα

Η ταχύτητα αντλίας μπορεί να επιλεγεί μέσω ρύθμισης του κύριου τηλεχειριστηρίου (βλέπε <Εικόνα 4.3.3 έως 4.3.7>).

Προσαρμόστε την ρύθμιση της ταχύτητας αντλίας ώστε ο ρυθμός ροής στο πρωτεύον κύκλωμα να είναι κατάλληλος για την εγκατεστημένη εξωτερική μονάδα (βλέπε Πίνακας 4.3.1). Μπορεί να χρειαστεί να προσθέσετε μια επιπρόσθετη αντλία στο σύστημα ανάλογα με το μήκος και την ανύψωση του πρωτεύοντος κυκλώματος. Για μοντέλο εξωτερικής μονάδας που δεν αναγράφεται στον <Πίνακα 4.3.1>, ανατρέξτε στο εύρος του ρυθμού ροής νερού στον πίνακα προδιαγραφών του Βιβλίου Δεδομένων εξωτερικής μονάδας.

<Δεύτερη αντλία >

Αν απαιτείται δεύτερη αντλία για την εγκατάσταση παρακαλούμε διαβάστε προσεκτικά τα παρακάτω.

Αν χρησιμοποιείτε δεύτερη αντλία στο σύστημα, μπορεί να τοποθετηθεί με 2 τρόπους. Η θέση της αντλίας επηρεάζει με ποιον ακροδέκτη του FTC θα πρέπει να συνδεθεί το καλώδιο σήματος. Αν η/οι επιπλέον αντλία/ες έχει τάση μεγαλύτερη από 1Α, παρακαλούμε χρησιμοποιήστε κατάλληλο ρελέ. Το καλώδιο σήματος της αντλίας μπορεί είτε να συνδεθεί με το TBO.1 1-2 ή το CNP1 αλλά ΟΧΙ και με τα δυο.

Επιλογή 1 (Μόνο θέρμανση/ψύξη χώρου)

Αν η δεύτερη αντλία χρησιμοποιείται μόνο για το κύκλωμα θέρμανσης, τότε το καλώδιο σήματος θα πρέπει να συνδεθεί με τους ακροδέκτες 3 και 4 του TBO.1 (OUT2). Σε αυτή τη θέση η αντλία μπορεί να λειτουργεί σε διαφορετική ταχύτητα στην ενσωματωμένη αντλία της μονάδας κυλίνδρου.

Επιλογή 2 (Πρωτεύον κύκλωμα DHW και θέρμανση/ψύξη χώρου)

Αν η δεύτερη αντλία χρησιμοποιείται στο πρωτεύον κύκλωμα μεταξύ της μονάδας κυλίνδρου και της εξωτερικής μονάδας (ΜΟΝΟ για σύστημα κλειστού τύπου), τότε το καλώδιο σήματος θα πρέπει να συνδεθεί με τους ακροδέκτες 1 και 2 του TBO.1 (OUT1). Σε αυτή τη θέση η ταχύτητα αντλίας ΠΡΕΠΕΙ να ταιριάζει με την ταχύτητα της ενσωματωμένης αντλίας της μονάδας κυλίνδρου.

Σημείωση: Ανατρέξτε στο 5.2 Σύνδεση εισόδων/εξόδων.

Εξωτερική μονάδα αντλίας θερμότητας	Εύρος ρυθμού ροής νερού [L/min]	
Μοντέλο κλειστού τύπου	PUZ-WM50	6,5 - 14,3
	PUZ-WM60	8,6 - 17,2
	PUZ-WM85	10,8 - 24,4
	PUZ-WM112	14,4 - 32,1
	PUZ-HWM140	17,9 - 36,9
Μοντέλο διαχωρισμένου τύπου	SUZ-SWM40	6,5 - 11,4
	SUZ-SWM60	7,2 - 17,2
	SUZ-SWM80	7,8 - 21,5
	PUD-S(H)WM60	9,0 - 22,9
	PUD-S(H)WM80	9,0 - 22,9
	PUD-S(H)WM100	14,3 - 34,4
	PUD-S(H)WM120	14,3 - 34,4
	PUD-SHW140	14,3 - 34,4
	PUHZ-FRP71	11,5 - 22,9
	PUHZ-SW75	10,2 - 22,9
	PUHZ-SW100	14,4 - 32,1
	PUHZ-SW120	20,1 - 36,9
	PUHZ-SHW80	10,2 - 22,9
	PUHZ-SHW112	14,4 - 32,1
	PUHZ-SHW140	17,9 - 36,9
PUMY-P112	17,9 - 35,8	
PUMY-P125	17,9 - 35,8	
PUMY-P140	17,9 - 35,8	

<Πίνακας 4.3.1>

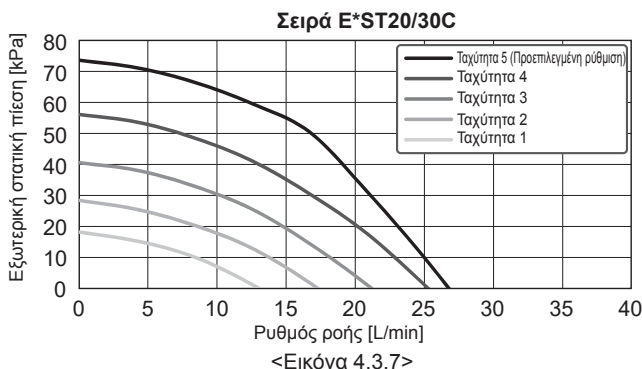
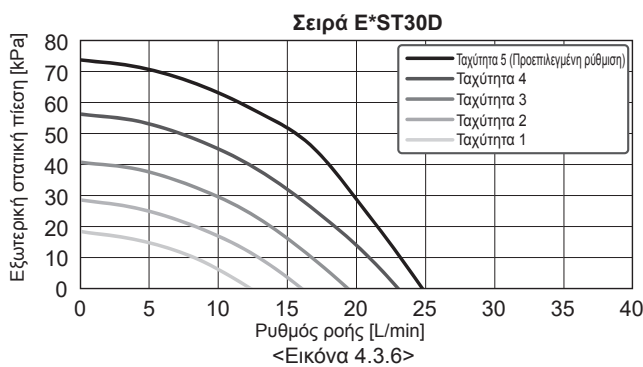
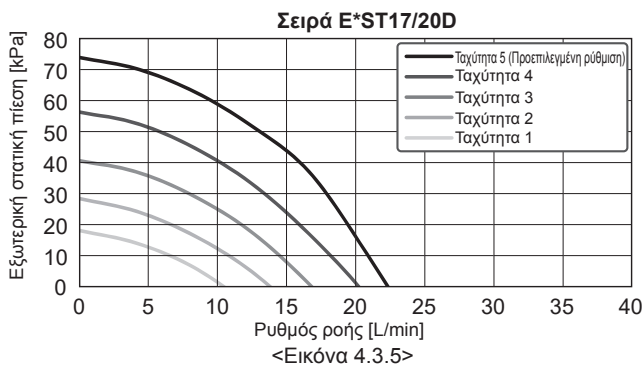
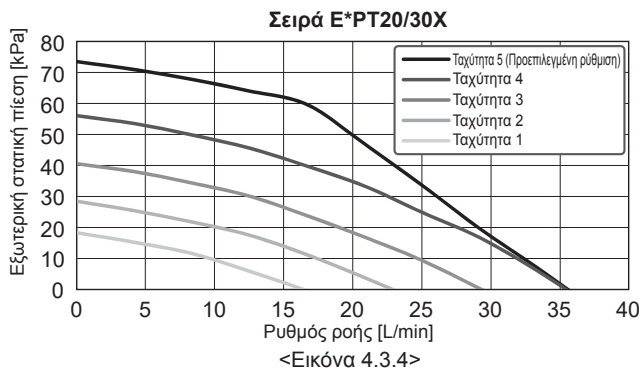
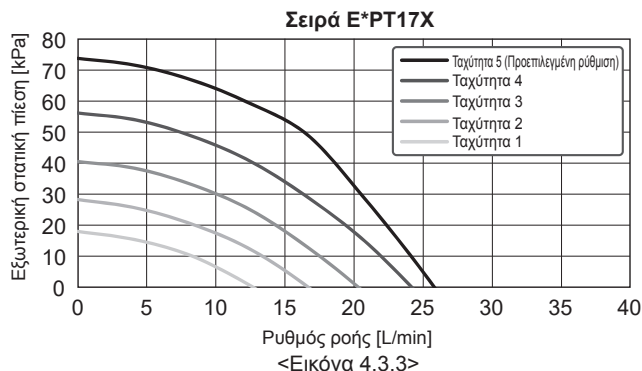
* Αν ο ρυθμός ροής νερού είναι μικρότερος από την ελάχιστη ρύθμιση του ρυθμού ροής του αισθητήρα ροής (προεπιλεγμένο 5,0 L/min), τότε θα ενεργοποιηθεί το σφάλμα ρυθμού ροής. Αν ο ρυθμός ροής νερού υπερβαίνει τα 36,9 L/min (σειρά E**T20/30) ή 25,8 L/min (σειρά E**T17), τότε η ταχύτητα ροής θα είναι μεγαλύτερη από 2,0 m/s, και θα μπορούσε να διαβρώσει τους σωλήνες.

2. Κύκλωμα οικιακής χρήσης

Προεπιλεγμένη ρύθμιση: Ταχύτητα 2

Η αντλία κυκλοφορίας DHW θα ΠΡΕΠΕΙ να οριστεί σε ταχύτητα 2.

Χαρακτηριστικά αντλίας κυκλοφορίας νερού



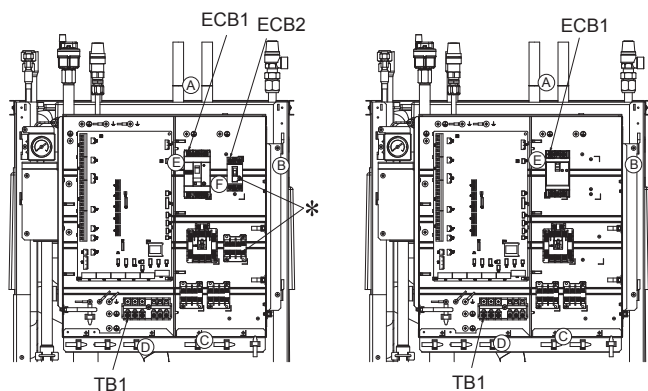
*Για την εγκατάσταση της σειράς E*PT, ορίστε την ταχύτητα της αντλίας της με πτώση πίεσης μεταξύ της μονάδας κυλίνδρου και της εξωτερικής μονάδας η οποία συμπεριλήφθηκε στην εξωτερική στατική πίεση.

4 Εγκατάσταση

4.4 Ηλεκτρική σύνδεση

Όλες οι ηλεκτρικές εργασίες θα πρέπει να διεξάγονται από κατάλληλα ειδικευμένο τεχνικό. Σε αντίθετη περίπτωση, ενδέχεται να προκληθεί ηλεκτροπληξία, πυρκαγιά και θάνατος. Επιπλέον, αυτό θα ακυρώσει την ισχύ της εγγύησης του προϊόντος. Όλες οι καλωδιώσεις θα πρέπει να είναι σύμφωνες με τους εθνικούς κανονισμούς καλωδίωσης.

Συντομογραφία διακόπτη	Έννοια
ECB1	Διακόπτης διαρροής γείωσης για ενισχυτικό θερμαντήρα
ECB2	Διακόπτης διαρροής γείωσης για θερμαντήρα εμβάπτισης
TB1	Μπλοκ ακροδεκτών 1



<1 φάση (με θερμαντήρα εμβάπτισης)>

<3 φάση (χωρίς θερμαντήρα εμβάπτισης)>

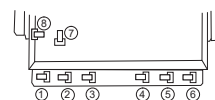
Η μονάδα κυλίνδρου μπορεί να τροφοδοτηθεί με δυο τρόπους.

1. Το καλώδιο τροφοδοσίας λειτουργεί από την εξωτερική μονάδα στην μονάδα κυλίνδρου.
2. Η μονάδα κυλίνδρου έχει ανεξάρτητη πηγή ισχύος

Οι συνδέσεις θα πρέπει να πραγματοποιούνται στους ακροδέκτες που υποδεικνύονται στις εικόνες κάτω αριστερά ανάλογα με τη φάση.

Ο ενισχυτικός θερμαντήρας και ο θερμαντήρας εμβάπτισης θα πρέπει να είναι ανεξάρτητα συνδεδεμένοι ο ένας από τον άλλον με τις καθιερωμένες πηγές τροφοδοσίας.

- Α) Θα πρέπει να εισαχθεί τοπικά παρεχόμενη ενσυρμάτωση μέσω των εισόδων που βρίσκονται στο πάνω μέρος της μονάδας κυλίνδρου. (Ανατρέξτε στον <Πίνακα 3.4>.)
- Β) Η ενσυρμάτωση θα πρέπει να τροφοδοτηθεί στη δεξιά πλευρά του ηλεκτρικού πίνακα ελέγχου και να συσφιχτεί στη θέση του χρησιμοποιώντας κλιπ.
- Γ) Τα σύρματα θα πρέπει να εισάγονται μεμονωμένα μέσω των εισόδων καλωδίου όπως παρακάτω.
 - 2) Σύρμα εξόδων
 - 3) Σύρμα εσωτερικού-εξωτερικού χώρου
 - 5) Γραμμή τροφοδοσία (B.H.) / Γραμμή τροφοδοσίας (I.H.) (Επιλογή)
 - 7) Σύρματα εισόδου σήματος
- Δ) Συνδέστε το καλώδιο σύνδεσης της εξωτερικής μονάδας - μονάδας κυλίνδρου με το TB1.
- Ε) Συνδέστε το καλώδιο τροφοδοσίας για τον ενισχυτικό θερμαντήρα με το ECB1.
- Ε) Αν υπάρχει θερμαντήρας εμβάπτισης, συνδέστε το καλώδιο τροφοδοσίας με το ECB2.



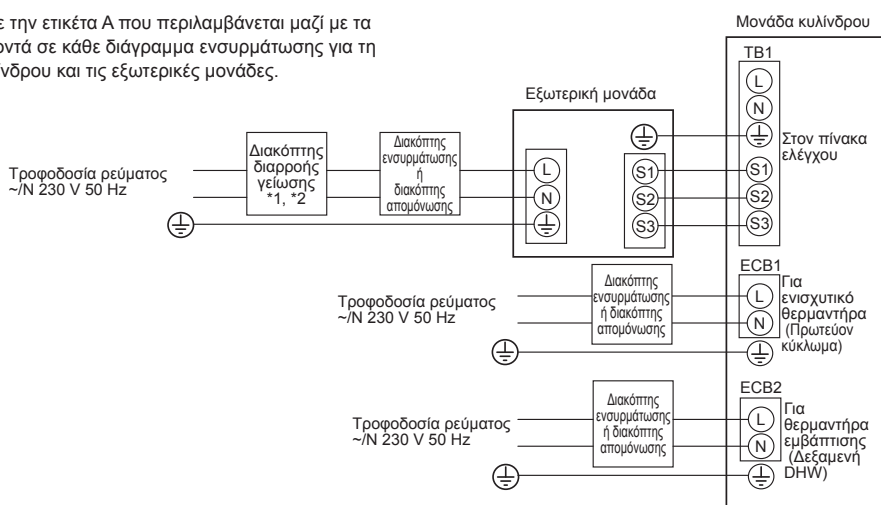
- Αποφύγετε την επαφή μεταξύ της ενσυρμάτωσης και των μερών (*).
- Βεβαιωθείτε ότι το ECB1 και ECB2 είναι ΕΝΕΡΓΟΠΟΙΗΜΕΝΑ.
- Κατά την ολοκλήρωση της καλωδίωσης, βεβαιωθείτε ότι το κύριο τηλεχειριστήριο είναι συνδεδεμένο με το ρελέ συνδέτη.

Μονάδα κυλίνδρου που τροφοδοτείται μέσω εξωτερικής μονάδας

(Αν θέλετε να χρησιμοποιήσετε ανεξάρτητη πηγή, επισκεφτείτε την ιστοσελίδα Mitsubishi.)

<1 φάση>

Επικολλήστε την ετικέτα Α που περιλαμβάνεται μαζί με τα εγχειρίδια κοντά σε κάθε διάγραμμα ενσυρμάτωσης για τη μονάδα κυλίνδρου και τις εξωτερικές μονάδες.



<Εικόνα 4.4.1>

Ηλεκτρικές συνδέσεις 1 φάση

Περιγραφή	Τροφοδοσία ρεύματος	Ισχύς	Διακόπτης	Ενσυρμάτωση
Ενισχυτικός θερμαντήρας (Πρωτεύον κύκλωμα)	~N 230 V 50 Hz	2 kW	16 A *2	2,5 mm ²
		6 kW	32 A *2	6,0 mm ²
Θερμαντήρας εμβάπτισης (Δεξαμενή DHW)	~N 230 V 50 Hz	3 kW	16 A *2	2,5 mm ²

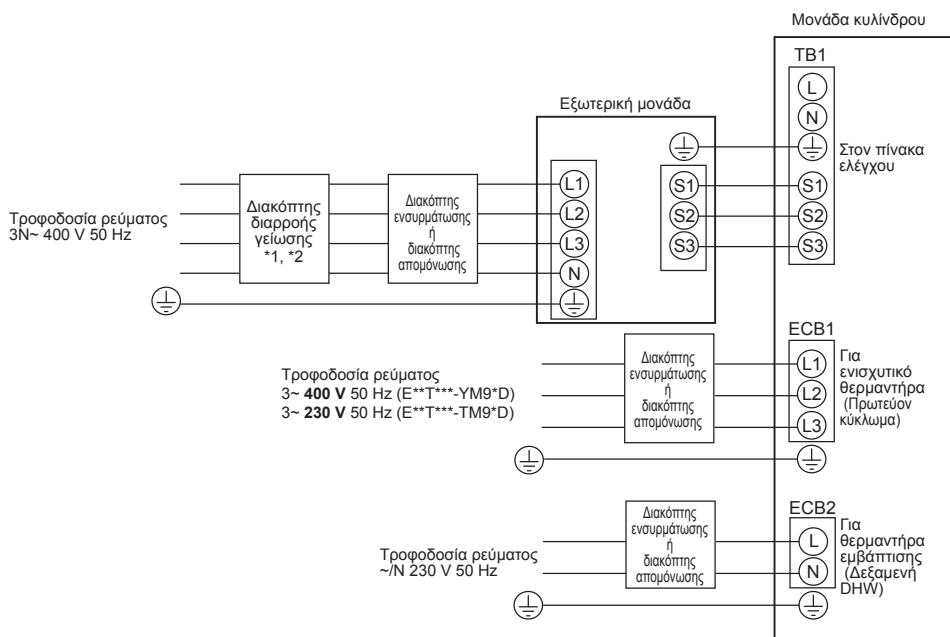
Εισαγωγή Αρ. ενσυρμάτωσης x μέγεθος (mm ²)	Μονάδα κυλίνδρου - Εξωτερική μονάδα	*3	3 x 1,5 (διαμετρικά αντίθετο)
	Γείωση μονάδας κυλίνδρου - εξωτερικής μονάδας	*3	1 x Ελάχ. 1,5
Τύπος/μήκος καλωδίου	Μονάδα κυλίνδρου - Εξωτερική μονάδα S1 - S2	*4	230 V AC
	Μονάδα κυλίνδρου - Εξωτερική μονάδα S2 - S3	*4	24 V DC

- Σημείωση:**
1. Το μέγεθος της ενσυρμάτωσης θα πρέπει να συνάδει με τους ισχύοντες τοπικούς και εθνικούς κώδικες.
 2. Τα καλώδια σύνδεσης της εσωτερικής μονάδας/εξωτερικής μονάδας θα πρέπει να είναι ελαφρύτερα από το εύκαμπτο καλώδιο που είναι επενδυμένο με πολυχλωροπρένιο. (Σχέδιο 60245 IEC 57)
Τα καλώδια τροφοδοσίας της εσωτερικής μονάδας θα πρέπει να είναι ελαφρύτερα από το εύκαμπτο καλώδιο που είναι επενδυμένο με πολυχλωροπρένιο. (Σχέδιο 60227 IEC 53)
 3. Εγκαταστήστε μακρύτερη γείωση από τα άλλα καλώδια.
 4. Παρακαλούμε διατηρήστε αρκετή ικανότητα εξόδου για το καλώδιο τροφοδοσίας για κάθε θερμαντήρα. Η ανεπαρκής ικανότητα τροφοδοσίας ενδέχεται να προκαλέσει θορυβώδες παίξιμο της μηχανής.

4 Εγκατάσταση

<3 φάση>

Επικολλήστε την ετικέτα A που περιλαμβάνεται μαζί με τα εγχειρίδια κοντά σε κάθε διάγραμμα ενσωμάτωσης για τη μονάδα κυλίνδρου και τις εξωτερικές μονάδες.



<Εικόνα 4.4.2>
Ηλεκτρικές συνδέσεις 3 φάση

Περιγραφή	Τροφοδοσία ρεύματος	Δυνατότητα (Αναφ. εσωτερικής μονάδας)	Διακόπτης	Ενσωμάτωση
Ενισχυτικός θερμαντήρας (Πρωτεύον κύκλωμα)	3~ 400 V 50 Hz	9 kW	16 A *2	2,5 mm ²
	3~ 230 V 50 Hz	9 kW	32 A *2	6,0 mm ²
Θερμαντήρας εμβάπτισης (Δεξαμενή DHW)	~N 230 V 50 Hz	3 kW	16 A *2	2,5 mm ²

Ενσωμάτωση Αρ. ενσωμάτωσης x μέγεθος (mm ²)	Μονάδα κυλίνδρου - Εξωτερική μονάδα *3	3 x 1,5 (διαμετρικά αντίθετο)
	Γείωση μονάδας κυλίνδρου - εξωτερικής μονάδας *3	1 x Ελάχ. 1,5
Ταξινόμηση κυκλώματος	Μονάδα κυλίνδρου - Εξωτερική μονάδα S1 - S2 *4	230 V AC
	Μονάδα κυλίνδρου - Εξωτερική μονάδα S2 - S3 *4	24 V DC

- *1. Αν ο εγκατεστημένος διακόπτης διαρροής γείωσης δεν έχει λειτουργία προστασίας υπέρτασης, τότε εγκαταστήστε έναν διακόπτη με αυτή τη λειτουργία κατά μήκος της ίδιας γραμμής τροφοδοσίας.
- *2. Θα πρέπει να παρέχεται ένας διακόπτης με διαχωρισμό επαφής τουλάχιστον 3,0 mm σε κάθε πόλο. Χρησιμοποιήστε διακόπτη διαρροής γείωσης (NV). Ο διακόπτης θα πρέπει να παρέχεται ώστε να εξασφαλίζεται η αποσύνδεση όλων των ενεργών αγωγών φάσης της παροχής.
- *3. Μέγ. 45 m
Αν χρησιμοποιείται 2,5 mm², Μέγ. 50 m
Αν χρησιμοποιείται 2,5 mm² και το S3 διαχωρίστηκε, Μέγ. 80 m
- *4. Οι τιμές που δίδονται στον ως άνω πίνακα δεν μετρώνται πάντα σε σχέση με την τιμή του εδάφους.

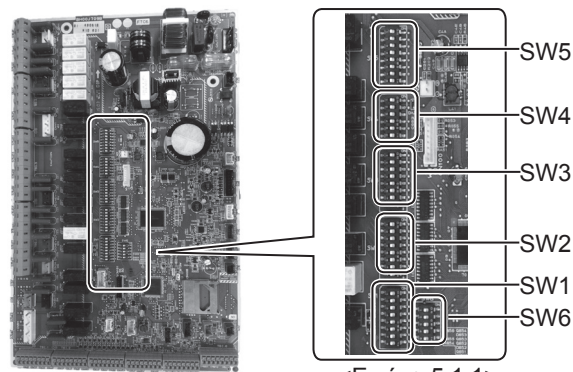
- Σημείωση:**
1. Το μέγεθος της ενσωμάτωσης θα πρέπει να συνάδει με τους ισχύοντες τοπικούς και εθνικούς κώδικες.
 2. Τα καλώδια σύνδεσης της εσωτερικής μονάδας/εξωτερικής μονάδας θα πρέπει να είναι ελαφρύτερα από το εύκαμπτο καλώδιο που είναι επενδυμένο με πολυχλωροπρένιο. (Σχέδιο 60245 IEC 57)
Τα καλώδια τροφοδοσίας της εσωτερικής μονάδας θα πρέπει να είναι ελαφρύτερα από το εύκαμπτο καλώδιο που είναι επενδυμένο με πολυχλωροπρένιο. (Σχέδιο 60227 IEC 53)
 3. Εγκαταστήστε μακρύτερη γείωση από τα άλλα καλώδια.
 4. Παρακαλούμε διατηρήστε αρκετή ικανότητα εξόδου για το καλώδιο τροφοδοσίας για κάθε θερμαντήρα. Η ανεπαρκής ικανότητα τροφοδοσίας ενδέχεται να προκαλέσει θορυβώδες παίξιμο της μηχανής.

5 Ρύθμιση συστήματος

5.1 Λειτουργίες διακόπτη DIP

Ο αριθμός του διακόπτη DIP είναι τυπωμένος πάνω στον πίνακα ελέγχου, δίπλα από τους σχετικούς διακόπτες. Η λέξη ΕΝΕΡΓΟΠΟΙΗΣΗ είναι τυπωμένη πάνω στον πίνακα ελέγχου και πάνω στο μπλοκ του διακόπτη DIP. Για να μετακινήσετε το διακόπτη πρέπει να χρησιμοποιήσετε μια πινέζα ή την γωνία ενός λεπτού μεταλλικού χάρακα ή κάτι παρόμοιο.

Οι ρυθμίσεις του διακόπτη DIP αναγράφονται παρακάτω στον Πίνακα 5.1.1. Μόνο κάποιος υπεύθυνος εγκατάστασης μπορεί να αλλάξει τη ρύθμιση του διακόπτη DIP υπ' ευθύνη του σύμφωνα με τις προϋποθέσεις εγκατάστασης. Φροντίστε να απενεργοποιήσετε τις παροχές ρεύματος της εσωτερικής μονάδας και της εξωτερικής μονάδας πριν αλλάξετε τις ρυθμίσεις του διακόπτη.



<Εικόνα 5.1.1>

Διακόπτης DIP	Λειτουργία	ΑΠΕΝΕΡΓΟΠΟΙΗΣΗ	ΕΝΕΡΓΟΠΟΙΗΣΗ	Προεπιλεγμένες ρυθμίσεις: Μοντέλο εσωτερικής μονάδας			
SW1	SW1-1 Μπόιλερ	ΧΩΡΙΣ μπόιλερ	ΜΕ μπόιλερ	ΑΠΕΝΕΡΓΟΠΟΙΗΣΗ			
	SW1-2 Μέγιστη θερμοκρασία εξόδου νερού της αντλίας θερμότητας	55°C	60°C	ΕΝΕΡΓΟΠΟΙΗΣΗ *1			
	SW1-3 Δεξαμενή DHW	ΧΩΡΙΣ δεξαμενή DHW	ΜΕ δεξαμενή DHW	ΕΝΕΡΓΟΠΟΙΗΣΗ			
	SW1-4 Θερμαντήρας εμβάπτισης	ΧΩΡΙΣ θερμαντήρα εμβάπτισης	ΜΕ θερμαντήρα εμβάπτισης	ΑΠΕΝΕΡΓΟΠΟΙΗΣΗ: Εκτός ΕΗΡΤ20Χ-ΜΗΕDW ΕΝΕΡΓΟΠΟΙΗΣΗ: ΕΗΡΤ20Χ-ΜΗΕDW			
	SW1-5 Ενισχυτικός θερμαντήρας	ΧΩΡΙΣ ενισχυτικό θερμαντήρα	ΜΕ ενισχυτικό θερμαντήρα	ΑΠΕΝΕΡΓΟΠΟΙΗΣΗ: Ε**Τ***-Μ*ΕD* ΕΝΕΡΓΟΠΟΙΗΣΗ : Ε**Τ***-Μ 2/6/9*D			
	SW1-6 Λειτουργία θερμαντήρα εμβάπτισης	Μόνο για θέρμανση	Για θέρμανση και DHW	ΑΠΕΝΕΡΓΟΠΟΙΗΣΗ: Ε**Τ***-Μ*ΕD* ΕΝΕΡΓΟΠΟΙΗΣΗ : Ε**Τ***-Μ 2/6/9*D			
	SW1-7 Τύπος εξωτερικής μονάδας	Διαχωρισμένου τύπου	Κλειστού τύπου	ΑΠΕΝΕΡΓΟΠΟΙΗΣΗ: Ε*ST***-Μ**D ΕΝΕΡΓΟΠΟΙΗΣΗ : Ε*ΡΤ**Χ-Μ**D*			
	SW1-8 Ασύρματο τηλεχειριστήριο	ΧΩΡΙΣ ασύρματο τηλεχειριστήριο	ΜΕ ασύρματο τηλεχειριστήριο	ΑΠΕΝΕΡΓΟΠΟΙΗΣΗ			
SW2	SW2-1 Είσοδος (IN1) λογικής αλλαγής θερμοστάτη 1 δωματίου	Διακοπή λειτουργίας Ζώνη 1 σε βραχυκύκλωμα θερμοστάτη	Διακοπή λειτουργίας Ζώνη 1 σε ανοιχτό θερμοστάτη	ΑΠΕΝΕΡΓΟΠΟΙΗΣΗ			
	SW2-2 Είσοδος (IN2) λογικής αλλαγής διακόπτη 1 ροής	Αποτυχία ανίχνευσης σε βραχυκύκλωμα	Αποτυχία ανίχνευσης σε ανοιχτό	ΑΠΕΝΕΡΓΟΠΟΙΗΣΗ			
	SW2-3 Περιορισμός ισχύος ενισχυτικού θερμαντήρα	Ανεργός	Ενεργός	ΑΠΕΝΕΡΓΟΠΟΙΗΣΗ: Εκτός Ε**Τ***-VM2*D ΕΝΕΡΓΟΠΟΙΗΣΗ: Ε**Τ***-VM2*D			
	SW2-4 Τρόπος λειτουργίας ψύξης	Ανεργός	Ενεργός	ΑΠΕΝΕΡΓΟΠΟΙΗΣΗ: ΕΗ*Τ***-Μ**D* ΕΝΕΡΓΟΠΟΙΗΣΗ: ΕΡ*Τ***-Μ**D			
	SW2-5 Αυτόματος διακόπτης για δημιουργία αντιγράφων της λειτουργίας πηγής θερμότητας (Όταν η εξωτερική μονάδα διακόπτεται από σφάλμα)	Ανεργός	Ενεργός *2	ΑΠΕΝΕΡΓΟΠΟΙΗΣΗ			
	SW2-6 Δεξαμενή ανάμειξης	ΧΩΡΙΣ δεξαμενή ανάμειξης	ΜΕ δεξαμενή ανάμειξης	ΑΠΕΝΕΡΓΟΠΟΙΗΣΗ			
	SW2-7 Έλεγχος θερμοκρασίας 2 ζωνών	Ανεργός	Ενεργός *6	ΑΠΕΝΕΡΓΟΠΟΙΗΣΗ			
	SW2-8 Αισθητήρας ροής	ΧΩΡΙΣ αισθητήρα ροής	ΜΕ αισθητήρα ροής	ΕΝΕΡΓΟΠΟΙΗΣΗ			
SW3	SW3-1 Είσοδος (IN6) λογικής αλλαγής θερμοστάτη 2 δωματίου	Διακοπή λειτουργίας Ζώνη 2 σε βραχυκύκλωμα θερμοστάτη	Διακοπή λειτουργίας Ζώνη 2 σε ανοιχτό θερμοστάτη	ΑΠΕΝΕΡΓΟΠΟΙΗΣΗ			
	SW3-2 Είσοδος λογικής αλλαγής διακόπτη ροής 2 και 3	Αποτυχία ανίχνευσης σε βραχυκύκλωμα	Αποτυχία ανίχνευσης σε ανοιχτό	ΑΠΕΝΕΡΓΟΠΟΙΗΣΗ			
	SW3-3 Βαλβίδα τύπου 3 κατευθύνσεων	Κινητήρας εναλλασσόμενου ρεύματος	Βαθμιδωτός κινητήρας	ΑΠΕΝΕΡΓΟΠΟΙΗΣΗ: Εκτός Ε**Τ17Χ/17D/20D-Μ**D* ΕΝΕΡΓΟΠΟΙΗΣΗ: Ε**Τ17Χ/17D/20D-Μ**D*			
	SW3-4 Μέτρο ηλεκτρικής ενέργειας	ΧΩΡΙΣ μέτρο ηλεκτρικής ενέργειας	ΜΕ μέτρο ηλεκτρικής ενέργειας	ΑΠΕΝΕΡΓΟΠΟΙΗΣΗ			
	SW3-5 Τρόπος λειτουργίας θέρμανσης *3	Ανεργός	Ενεργός	ΕΝΕΡΓΟΠΟΙΗΣΗ			
	SW3-6 Έλεγχος ΕΝΕΡΓΟΠΟΙΗΣΗ/ΑΠΕΝΕΡΓΟΠΟΙΗΣΗ βαλβίδας 2 ζωνών	Ανεργός	Ενεργός	ΑΠΕΝΕΡΓΟΠΟΙΗΣΗ			
	SW3-7 Εναλλάκτης θερμότητας για DHW	Πηγίο στη δεξαμενή	Εξωτερική πλάκα HEX	ΕΝΕΡΓΟΠΟΙΗΣΗ			
	SW3-8 Μέτρο θερμότητας	ΧΩΡΙΣ μέτρο θερμότητας	ΜΕ μέτρο θερμότητας	ΑΠΕΝΕΡΓΟΠΟΙΗΣΗ			
SW4	SW4-1	—	—	ΑΠΕΝΕΡΓΟΠΟΙΗΣΗ			
	SW4-2	—	—	ΑΠΕΝΕΡΓΟΠΟΙΗΣΗ			
	SW4-3	—	—	ΑΠΕΝΕΡΓΟΠΟΙΗΣΗ			
	SW4-4 Λειτουργία μόνο εσωτερικής μονάδας (κατά την εργασία εγκατάστασης) *4	Ανεργός	Ενεργός	ΑΠΕΝΕΡΓΟΠΟΙΗΣΗ			
	SW4-5 Λειτουργία έκτακτης ανάγκης (Λειτουργία μόνο θερμαντήρα)	Κανονική	Λειτουργία έκτακτης ανάγκης (Λειτουργία μόνο θερμαντήρα)	ΑΠΕΝΕΡΓΟΠΟΙΗΣΗ *5			
SW4-6 Λειτουργία έκτακτης ανάγκης (Λειτουργία μπόιλερ)	Κανονική	Λειτουργία έκτακτης ανάγκης (Λειτουργία μπόιλερ)	ΑΠΕΝΕΡΓΟΠΟΙΗΣΗ *5				
SW5	SW5-1	—	—	ΑΠΕΝΕΡΓΟΠΟΙΗΣΗ			
	SW5-2 Προηγμένη αυτόματη προσαρμογή	Ανεργός	Ενεργός	ΕΝΕΡΓΟΠΟΙΗΣΗ			
	SW5-3	Κωδικός ισχύος					
	SW5-4		SW5-3	SW5-4	SW5-5	SW5-6	SW5-7
	SW5-5	E**T***-M**D	ΕΝΕΡΓΟΠΟΙΗΣΗ	ΕΝΕΡΓΟΠΟΙΗΣΗ	ΕΝΕΡΓΟΠΟΙΗΣΗ	ΕΝΕΡΓΟΠΟΙΗΣΗ	ΑΠΕΝΕΡΓΟΠΟΙΗΣΗ
	SW5-6	E**T**D-*M**D	ΕΝΕΡΓΟΠΟΙΗΣΗ	ΑΠΕΝΕΡΓΟΠΟΙΗΣΗ	ΑΠΕΝΕΡΓΟΠΟΙΗΣΗ	ΕΝΕΡΓΟΠΟΙΗΣΗ	ΑΠΕΝΕΡΓΟΠΟΙΗΣΗ
	SW5-7	E**T**X-*M**D*	ΑΠΕΝΕΡΓΟΠΟΙΗΣΗ	ΑΠΕΝΕΡΓΟΠΟΙΗΣΗ	ΑΠΕΝΕΡΓΟΠΟΙΗΣΗ	ΑΠΕΝΕΡΓΟΠΟΙΗΣΗ	ΑΠΕΝΕΡΓΟΠΟΙΗΣΗ
	SW5-8	—	—	—	—	—	ΑΠΕΝΕΡΓΟΠΟΙΗΣΗ
SW6	SW6-1	—	—	—	ΑΠΕΝΕΡΓΟΠΟΙΗΣΗ		
	SW6-2	—	—	—	ΑΠΕΝΕΡΓΟΠΟΙΗΣΗ		
	SW6-3 Αισθητήρας πίεσης	Ανεργός	Ενεργός	ΑΠΕΝΕΡΓΟΠΟΙΗΣΗ: Εκτός Ε*ST**D-*M**D ΕΝΕΡΓΟΠΟΙΗΣΗ: Ε*ST**D-*M**D			
	SW6-4 Αναλογικό σήμα εξόδου (0-10V)	Ανεργός	Ενεργός	ΑΠΕΝΕΡΓΟΠΟΙΗΣΗ			
	SW6-5	—	—	—	ΑΠΕΝΕΡΓΟΠΟΙΗΣΗ		

<Πίνακας 5.1.1>

Σημείωση: *1. Όταν η μονάδα κυλίνδρου είναι συνδεδεμένη με μια εξωτερική μονάδα ΡUΜΥ-Ρ εκ της οποίας η συνολική θερμοκρασία εξόδου νερού είναι 55°C, ο διακόπτης DIP SW1-2 πρέπει να μεταβεί σε ΑΠΕΝΕΡΓΟΠΟΙΗΣΗ.

*2. Η εξωτερική έξοδος (OUT11) θα είναι διαθέσιμη. Για λόγους ασφαλείας, η παρούσα λειτουργία δεν είναι διαθέσιμη για συγκεκριμένα σφάλματα. (Σε αυτή την περίπτωση, το σύστημα λειτουργίας πρέπει να διακοπεί και να συνεχίσει να λειτουργεί μόνο η αντλία κυκλοφορίας νερού.)

*3. Ο παρόν διακόπτης λειτουργεί μόνο όταν η μονάδα κυλίνδρου είναι συνδεδεμένη με μια εξωτερική μονάδα ΡUΗΖ-FRP. Όταν είναι συνδεδεμένος άλλος τύπος εξωτερικής μονάδας, τότε ο τρόπος λειτουργίας θέρμανσης είναι ενεργός, ανεξάρτητα από το αν αυτός ο διακόπτης είναι ΕΝΕΡΓΟΠΟΙΗΜΕΝΟΣ ή ΑΠΕΝΕΡΓΟΠΟΙΗΜΕΝΟΣ.

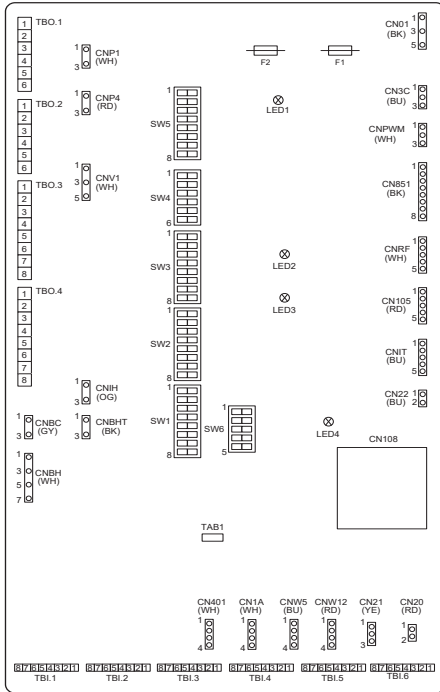
*4. Η θέρμανση χώρου και το DHW μπορούν να λειτουργήσουν μόνο στην εσωτερική μονάδα, όπως ένας ηλεκτρικός θερμαντήρας. (Ανατρέξτε στο "5.4 Λειτουργία μόνο εσωτερικής μονάδας".)

*5. Αν δεν απαιτείται πλέον λειτουργία έκτακτης ανάγκης, επιστρέψτε το διακόπτη στη θέση ΑΠΕΝΕΡΓΟΠΟΙΗΣΗ.

*6. Είναι ενεργή μόνο όταν ο διακόπτης SW3-6 έχει οριστεί στη θέση ΑΠΕΝΕΡΓΟΠΟΙΗΣΗ.

5 Ρύθμιση συστήματος

5.2 Σύνδεση εισόδων/εξόδων



<Εικόνα 5.2.1>

Προδιαγραφές ενσωμάτωσης και μέρη τοπικής παροχής

Στοιχείο	Όνομα	Μοντέλο και προδιαγραφές
Λειτουργία εισόδου σήματος	Καλώδιο εισόδου σήματος	Να χρησιμοποιείται σύρμα ή καλώδιο επενδυμένο με βινύλιο. Μέγ. 30 m Τύπος σύρματος: CV, CVS ή ισοδύναμο Μέγεθος σύρματος: Πρότυπο σύρμα 0,13 mm ² έως 0,52 mm ² Συμπαγές σύρμα: $\varnothing 0,4$ mm έως $\varnothing 0,8$ mm
	Διακόπτης	Σήματα επαφής χωρίς τάση "α" Ασύρματος διακόπτης: ελάχιστο ισχύον φορτίο 12V DC, 1mA

Σημείωση:

Το πολύκλωνο σύρμα θα πρέπει να τεθεί υπό επεξεργασία με μονωμένη πλάκα ακροδεκτών (DIN46228-4 πρότυπος συμβατικός τύπος).

Εξοδοί σήματος

Όνομα	Μπλοκ ακροδεκτών	Σύνδεσμος	Στοιχείο	ΑΠΕΝΕΡΓΟΠΟΙΗΣΗ (Ανοιχτό)	ΕΝΕΡΓΟΠΟΙΗΣΗ (Σύντομο)
IN1	TBI.1 7-8	—	Είσοδος θερμοστάτη δωματίου 1 *1	Ανατρέξτε στο διακόπτη SW2-1 στο <5.1 Λειτουργίες διακόπτη DIP>.	
IN2	TBI.1 5-6	—	Είσοδος διακόπτη ροής 1	Ανατρέξτε στο διακόπτη SW2-2 στο <5.1 Λειτουργίες διακόπτη DIP>.	
IN3	TBI.1 3-4	—	Είσοδος διακόπτη ροής 2 (Ζώνη 1)	Ανατρέξτε στο διακόπτη SW3-2 στο <5.1 Λειτουργίες διακόπτη DIP>.	
IN4	TBI.1 1-2	—	Είσοδος ζήτησης ελέγχου	Κανονική	ΑΠΕΝΕΡΓΟΠΟΙΗΣΗ πηγής θερμότητας/Λειτουργία μπόιλερ *3
IN5	TBI.2 7-8	—	Είσοδος εξωτερικού θερμοστάτη *2	Πρότυπη λειτουργία	Λειτουργία θερμαντήρα/Λειτουργία μπόιλερ *3
IN6	TBI.2 5-6	—	Είσοδος θερμοστάτη δωματίου 2 *1	Ανατρέξτε στο διακόπτη SW3-1 στο <5.1 Λειτουργίες διακόπτη DIP>.	
IN7	TBI.2 3-4	—	Είσοδος διακόπτη ροής 3 (Ζώνη 2)	Ανατρέξτε στο διακόπτη SW2-2 στο <5.1 Λειτουργίες διακόπτη DIP>.	
IN8	TBI.3 7-8	—	Μέτρο ηλεκτρικής ενέργειας 1	*4	
IN9	TBI.3 5-6	—	Μέτρο ηλεκτρικής ενέργειας 2		
IN10	TBI.2 1-2	—	Μέτρο θερμότητας		
IN11	TBI.3 3-4	—	Είσοδος εξυπνου δικτύου	*5	
IN12	TBI.3 1-2	—	Είσοδος εξυπνου δικτύου		
INA1	TBI.4 1-3	CN1A	Αισθητήρας ροής	—	—

*1. Ορίστε τον χρόνο λειτουργίας ΕΝΕΡΓΟΠΟΙΗΣΗ/ΑΠΕΝΕΡΓΟΠΟΙΗΣΗ για 10 λεπτά ή περισσότερο· διαφορετικά ο συμπιεστής ενδέχεται να εμφανίσει βλάβη.

*2. Αν χρησιμοποιείτε εξωτερικό θερμοστάτη για τον έλεγχο λειτουργίας των θερμαντήρων, η διάρκεια ζωής των θερμαντήρων και των σχετικών μερών ενδέχεται να μειωθεί.

*3. Για την ενεργοποίηση της λειτουργίας μπόιλερ, χρησιμοποιήστε το κύριο τηλεχειριστήριο για να επιλέξετε "Boiler" (Μπόιλερ) στην οθόνη "External input setting" (Ρύθμιση εξωτερικής εισόδου) στο μενού σέρβις.

*4. Συνδέσιμο μέτρο ηλεκτρικής ενέργειας και μέτρο θερμότητας

- Τύπος παλμού Επαφή χωρίς τάση για ανίχνευση 12VDC από FTC (Ακίδα TBI.2 1, TBI.3 5 και 7 ακίδες έχουν θετική τάση.)
- Διάρκεια παλμού Ελάχιστος χρόνος ΕΝΕΡΓΟΠΟΙΗΣΗΣ: 40ms
Ελάχιστος χρόνος ΑΠΕΝΕΡΓΟΠΟΙΗΣΗΣ: 100ms
- Πιθανή μονάδα παλμού 0,1 παλμός/kWh 1 παλμός/kWh 10 παλμός/kWh
100 παλμός/kWh 1000 παλμός/kWh

Αυτές οι τιμές μπορούν να οριστούν από το κύριο τηλεχειριστήριο. (Ανατρέξτε στο μενού "Κύριο τηλεχειριστήριο".)

*5. Όσο για το SG ready (έξυπνο δίκτυο), ανατρέξτε στο "5.5 Έξυπνο δίκτυο".

Είσοδοι θερμίστορ

Όνομα	Μπλοκ ακροδεκτών	Σύνδεσμος	Στοιχείο	Προαιρετικό μοντέλο μέρους
TH1	—	CN20	Θερμίστορ (Θερμ. δωματίου) (Επιλογή)	PAC-SE41TS-E
TH2	—	CN21	Θερμίστορ (Αναφ. θερμ. υγρού)	—
THW1	—	CNW12 1-2	Θερμίστορ (Θερμ. ροής νερού)	—
THW2	—	CNW12 3-4	Θερμίστορ (Θερμ. επιστροφής νερού)	—
THW5A	—	CNW5 1-2	Θερμίστορ (Άνω θερμ. νερού δεξαμενής DHW)	—
THW5B	—	CNW5 3-4	Θερμίστορ (Κάτω θερμ. νερού δεξαμενής DHW)	—
THW6	TBI.5 7-8	—	Θερμίστορ (Θερμ. ροής νερού Ζώνη 1) (Επιλογή) *1	PAC-TH011-E
THW7	TBI.5 5-6	—	Θερμίστορ (Θερμ. επιστροφής νερού Ζώνη 1) (Επιλογή) *1	
THW8	TBI.5 3-4	—	Θερμίστορ (Θερμ. ροής νερού Ζώνη 2) (Επιλογή) *1	PAC-TH011-E
THW9	TBI.5 1-2	—	Θερμίστορ (Θερμ. επιστροφής νερού Ζώνη 2) (Επιλογή) *1	
THWB1	TBI.6 7-8	—	Θερμίστορ (Θερμ. ροής νερού μπόιλερ) (Επιλογή) *1	PAC-TH012HT-E(5m)/
THW10	TBI.6 5-6	—	Θερμίστορ (Θερμ. νερού δεξαμενής ανάμειξης) (Επιλογή) *1	PAC-TH012HTL-E(30m)

Φροντίστε να καλωδίσετε τις ενσωματώσεις θερμίστορ μακριά από την γραμμή ρεύματος ή/και την έξοδο OUT1 σε 16 ενσωματώσεις.

*1. Το μέγιστο μήκος της καλωδίωσης θερμίστορ είναι 30 m.

Το μήκος των προαιρετικών θερμίστορ είναι 5 m. Αν θέλετε να χωρίσετε και να επεκτείνετε τις ενσωματώσεις, θα πρέπει να διεξαχθούν τα παρακάτω.

1) Συνδέστε τις ενσωματώσεις με συγκόλληση.

2) Μονώστε κάθε σημείο σύνδεσης ενάντια στη σκόνη και το νερό. Το πολύκλωνο σύρμα θα πρέπει να τεθεί υπό επεξεργασία με μονωμένη πλάκα ακροδεκτών (DIN46228-4 πρότυπος συμβατικός τύπος).

5 Ρύθμιση συστήματος

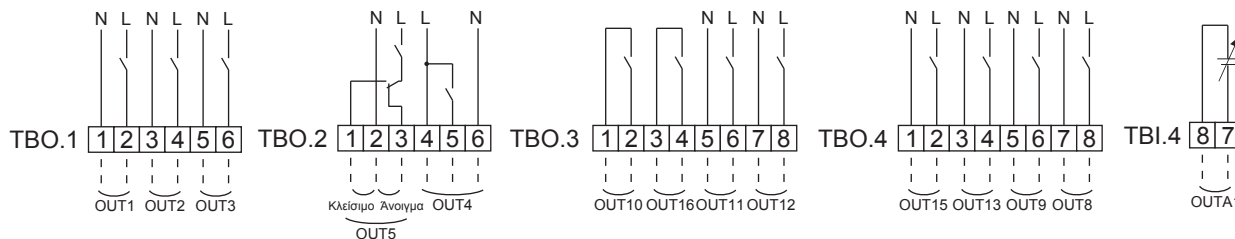
■ Έξοδοι

Όνομα	Μπλοκ ακροδεκτών	Σύνδεσμος	Στοιχείο	ΑΠΕΝΕΡΓΟΠΟΙΗΣΗ	ΕΝΕΡΓΟΠΟΙΗΣΗ	Σήμα/Μέγ. ρεύμα	Μέγ. συνολικό ρεύμα
OUT1	TBO.1 1-2	CNP1	Έξοδος αντλίας κυκλοφορίας νερού 1 (Θέρμανση/ψύξη χώρου & DHW)	ΑΠΕΝΕΡΓΟΠΟΙΗΣΗ	ΕΝΕΡΓΟΠΟΙΗΣΗ	230 V AC 1,0 A Μέγ. (Ρεύμα εισροής 40 A Μέγ.)	4,0 A (a)
OUT2	TBO.1 3-4	—	Έξοδος αντλίας κυκλοφορίας νερού 2 (Θέρμανση/ψύξη χώρου & Ζώνη 1)	ΑΠΕΝΕΡΓΟΠΟΙΗΣΗ	ΕΝΕΡΓΟΠΟΙΗΣΗ	230 V AC 1,0 A Μέγ. (Ρεύμα εισροής 40 A Μέγ.)	
OUT3	TBO.1 5-6	—	Έξοδος αντλίας κυκλοφορίας νερού 3 (Θέρμανση/ψύξη χώρου & Ζώνη 2) *1	ΑΠΕΝΕΡΓΟΠΟΙΗΣΗ	ΕΝΕΡΓΟΠΟΙΗΣΗ	230 V AC 1,0 A Μέγ. (Ρεύμα εισροής 40 A Μέγ.)	
OUT14	—	CNP4	Έξοδος βαλβίδας 2 κατευθύνσεων 2b *2	ΑΠΕΝΕΡΓΟΠΟΙΗΣΗ	ΕΝΕΡΓΟΠΟΙΗΣΗ	230 V AC 1,0 A Μέγ. (Ρεύμα εισροής 40 A Μέγ.)	
OUT4	TBO.2 4-6	CNV1	Έξοδος βαλβίδας 3 κατευθύνσεων (βαλβίδα 2 κατευθύνσεων)	Θέρμανση	DHW	230 V AC 0,1 A Μέγ.	3,0 A (b)
	—	CN851	Έξοδος βαλβίδας 3 κατευθύνσεων				
OUT5	TBO.2 1-2	—	Έξοδος βαλβίδας ανάμειξης *1	Διακοπή	Κλείσιμο	230 V AC 0,1 A Μέγ.	
	TBO.2 2-3			Άνοιγμα			
OUT6	—	CNBH 1-3	Έξοδος ενισχυτικού θερμαντήρα 1	ΑΠΕΝΕΡΓΟΠΟΙΗΣΗ	ΕΝΕΡΓΟΠΟΙΗΣΗ	230 V AC 0,5 A Μέγ. (Ρελέ)	
OUT7	—	CNBH 5-7	Έξοδος ενισχυτικού θερμαντήρα 2	ΑΠΕΝΕΡΓΟΠΟΙΗΣΗ	ΕΝΕΡΓΟΠΟΙΗΣΗ	230 V AC 0,5 A Μέγ. (Ρελέ)	
OUT8	TBO.4 7-8	—	Έξοδος σήματος ψύξης	ΑΠΕΝΕΡΓΟΠΟΙΗΣΗ	ΕΝΕΡΓΟΠΟΙΗΣΗ	230 V AC 0,5 A Μέγ.	
OUT9	TBO.4 5-6	CNIH	Έξοδος θερμαντήρα εμβάπτισης	ΑΠΕΝΕΡΓΟΠΟΙΗΣΗ	ΕΝΕΡΓΟΠΟΙΗΣΗ	230 V AC 0,5 A Μέγ. (Ρελέ)	
OUT11	TBO.3 5-6	—	Έξοδος σφάλματος	Κανονική	Σφάλμα	230 V AC 0,5 A Μέγ.	
OUT12	TBO.3 7-8	—	Έξοδος απόψυξης	Κανονική	Απόψυξη	230 V AC 0,5 A Μέγ.	
OUT13	TBO.4 3-4	—	Έξοδος βαλβίδας 2 κατευθύνσεων 2a *2	ΑΠΕΝΕΡΓΟΠΟΙΗΣΗ	ΕΝΕΡΓΟΠΟΙΗΣΗ	230 V AC 0,1 A Μέγ.	
OUT15	TBO.4 1-2	—	Αντιστάθμιση σήματος ΕΝΕΡΓΟΠΟΙΗΣΗΣ	ΑΠΕΝΕΡΓΟΠΟΙΗΣΗ	ΕΝΕΡΓΟΠΟΙΗΣΗ	230 V AC 0,5 A Μέγ.	
OUT10	TBO.3 1-2	—	Έξοδος μπόιλερ	ΑΠΕΝΕΡΓΟΠΟΙΗΣΗ	ΕΝΕΡΓΟΠΟΙΗΣΗ	επαφή χωρίς τάση ·220 - 240 V AC (30 V DC) ·0,5 A ή μικρότερη ·10 mA 5 V DC ή περισσότερη	—
OUT16	TBO.3 3-4	—	Σήμα θερμικής ΕΝΕΡΓΟΠΟΙΗΣΗΣ Θέρμανσης/Ψύξης	ΑΠΕΝΕΡΓΟΠΟΙΗΣΗ	ΕΝΕΡΓΟΠΟΙΗΣΗ		—
OUTA1	TBI.4 7-8	—	Αναλογική έξοδος	0 - 10 V		0 - 10 V DC 5 mA μέγ.	—

Μην συνδέετε με τους ακροδέκτες που υποδεικνύονται ως “—” στο πεδίο “Terminal block” (Μπλοκ ακροδεκτών).

*1 Για έλεγχο θερμοκρασίας 2 ζωνών.

*2 Για έλεγχο ΕΝΕΡΓΟΠΟΙΗΣΗ/ΑΠΕΝΕΡΓΟΠΟΙΗΣΗ βαλβίδας 2 ζωνών.



Τρόπος χρήσης TBO.1 έως 4

Προδιαγραφές ενσυρμάτωσης και μέρη τοπικής παροχής

Στοιχείο	Όνομα	Μοντέλο και προδιαγραφές
Λειτουργία εξωτερικής εξόδου	Σύρμα εξόδων	Να χρησιμοποιείτε σύρμα ή καλώδιο επενδυμένο με βινύλιο. Μέγ. 30 m Τύπος σύρματος: CV, CVS ή ισοδύναμο Μέγεθος σύρματος: Πρότυπο σύρμα 0,25 mm ² έως 1,5 mm ² Συμπαγές σύρμα: $\varnothing 0,57$ mm έως $\varnothing 1,2$ mm



Όψη περιγράμματος

Πάνω όψη

Συνδέστε τα χρησιμοποιώντας οποιονδήποτε παραπάνω τρόπο.

<Εικόνα 5.2.2>

Σημείωση:

- Όταν η μονάδα κυλίνδρου ενεργοποιείται μέσω εξωτερικής μονάδας, το μέγιστο συνολικό ρεύμα των (a)+(b) είναι 3,0 A.
- Μην συνδέετε άμεσα πολλαπλές αντλίες κυκλοφορίας νερού σε κάθε έξοδο (OUT1, OUT2 και OUT3). Σε αυτή την περίπτωση, συνδέστε τες μέσω του/των ρελέ (a).
- Μην συνδέετε αντλίες κυκλοφορίας νερού παράλληλα στο TBO.1 1-2 και CNP1.
- Συνδέστε έναν κατάλληλο απορροφητή υπέρτασης με την έξοδο OUT10 (TBO.3 1-2) ανάλογα με το φορτίο στο χώρο.
- Το πολύκλωνο σύρμα θα πρέπει να τεθεί υπό επεξεργασία με μονωμένη πλάκα ακροδεκτών (DIN46228-4 πρότυπος συμβατικός τύπος).
- Χρησιμοποιήστε το ίδιο πράγμα όπως το Σύρμα εισόδου σήματος για την ενσυρμάτωση OUTA1.

5.3 Καλωδίωση ελέγχου θερμοκρασίας 2 ζωνών

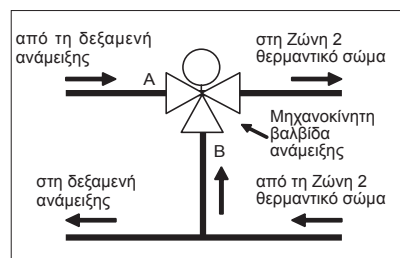
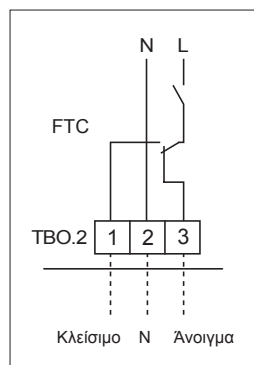
Συνδέστε τη σωλήνωση και τα τοπικά παρεχόμενα μέρη σύμφωνα με το σχετικό διάγραμμα κυκλώματος όπως φαίνεται στην Ενότητα 3 “Τοπικό σύστημα” του παρόντος εγχειριδίου.

<Βαλβίδα ανάμειξης>

Συνδέστε τη γραμμή σήματος για να ανοίξετε την Θύρα A (θύρα εισόδου ζεστού νερού) με το TBO. 2-3 (Άνοιγμα), τη γραμμή σήματος για να ανοίξετε την Θύρα B (θύρα εισόδου κρύου νερού) με το TBO. 2-1 (Κλείσιμο) και το ουδέτερο σύρμα ακροδέκτη με το TBO. 2-2 (N).

<Θερμίστορ>

- Μην εγκαθιστάτε τους θερμίστορες στη δεξαμενή ανάμειξης.
- Εγκαταστήστε το θερμίστορ θερμ. ροής Ζώνη 2 (THW8) κοντά στη βαλβίδα ανάμειξης.
- Το μέγιστο μήκος της καλωδίωσης θερμίστορ είναι 30 m.
- Το μήκος των προαιρετικών θερμίστορ είναι 5 m. Αν θέλετε να διαχωρίσετε και να επεκτείνετε τις ενσυρμάτωσεις, θα πρέπει να διεξαχθούν τα ακόλουθα.
 - Συνδέστε τις ενσυρματώσεις με συγκόλληση.
 - Μονώστε κάθε σημείο σύνδεσης ενάντια στη σκόνη και το νερό.



5 Ρύθμιση συστήματος

5.4 Λειτουργία μόνο εσωτερικής μονάδας (κατά την εργασία εγκατάστασης)

Στην περίπτωση που το DHW ή η λειτουργία θέρμανσης είναι απαραίτητα πριν τη σύνδεση της εξωτερικής μονάδας: λ.χ. κατά την εργασία εγκατάστασης, μπορεί να χρησιμοποιηθεί ένας ηλεκτρικός θερμαντήρας στην εσωτερική μονάδα (*1).

*1 Μοντέλο μόνο με ηλεκτρικό θερμαντήρα.

1. Για την έναρξη λειτουργίας

- Ελέγξτε αν η παροχή ρεύματος της εσωτερικής μονάδας είναι ΑΠΕΝΕΡΓΟΠΟΙΗΜΕΝΗ και θέστε το διακόπτη DIP 4-4 και 4-5 στη θέση ΕΝΕΡΓΟΠΟΙΗΣΗ.
- Θέστε την παροχή ρεύματος της εσωτερικής μονάδας στη θέση ΕΝΕΡΓΟΠΟΙΗΣΗ.

2. Για τον τερματισμό λειτουργίας*2

- Θέστε την παροχή ρεύματος της εσωτερικής μονάδας στη θέση ΑΠΕΝΕΡΓΟΠΟΙΗΣΗ.
 - Θέστε τον διακόπτη DIP 4-4 και 4-5 στη θέση ΑΠΕΝΕΡΓΟΠΟΙΗΣΗ.
- *2 Όταν τερματίζεται η λειτουργία μόνο εσωτερικής μονάδας, φροντίστε να ελέγξετε τις ρυθμίσεις μετά τη σύνδεση της εξωτερικής μονάδας.

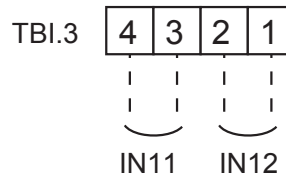
Σημείωση:

Η παρατεταμένη χρήση αυτής της λειτουργίας μπορεί να επηρεάσει τη διάρκεια ζωής του ηλεκτρικού θερμαντήρα.

5.5 Έξυπνο δίκτυο

Στο DHW ή στη λειτουργία θέρμανσης, μπορούν να χρησιμοποιηθούν οι εντολές στον παρακάτω πίνακα.

IN11	IN12	Έννοια
ΑΠΕΝΕΡΓΟΠΟΙΗΣΗ (ανοιχτό)	ΑΠΕΝΕΡΓΟΠΟΙΗΣΗ (ανοιχτό)	Κανονική λειτουργία
ΕΝΕΡΓΟΠΟΙΗΣΗ (σύντομο)	ΑΠΕΝΕΡΓΟΠΟΙΗΣΗ (ανοιχτό)	Πρόταση ενεργοποίησης
ΑΠΕΝΕΡΓΟΠΟΙΗΣΗ (ανοιχτό)	ΕΝΕΡΓΟΠΟΙΗΣΗ (σύντομο)	Εντολή απενεργοποίησης
ΕΝΕΡΓΟΠΟΙΗΣΗ (σύντομο)	ΕΝΕΡΓΟΠΟΙΗΣΗ (σύντομο)	Εντολή ενεργοποίησης



5.6 Χρήση κάρτας μνήμης SD

Η μονάδα κυλίνδρου είναι εξοπλισμένη με μια διεπαφή κάρτας μνήμης SD στο FTC.

Η χρήση μιας κάρτας μνήμης SD μπορεί να απλοποιήσει τις ρυθμίσεις του κύριου τηλεχειριστηρίου και μπορεί να αποθηκεύσει τα λειτουργικά αρχεία καταγραφής. *1

*1 Για την επεξεργασία ρυθμίσεων του κύριου τηλεχειριστηρίου ή για τον έλεγχο των λειτουργικών δεδομένων, απαιτείται εργαλείο σέρβις Ecodan (για χρήση με H/Y).

<Διαχείριση προφυλάξεων>

- (1) Χρησιμοποιήστε κάρτα μνήμης SD που συνάδει με τα πρότυπα SD. Ελέγξτε ότι η κάρτα μνήμης SD φέρει λογότυπο πάνω του όπως αυτά που φαίνονται δεξιά.
- (2) Οι κάρτες μνήμης SD που είναι σύμφωνες με τα πρότυπα SD περιλαμβάνουν κάρτες μνήμης SD, SDHC, mini SD, micro SD, και micro SDHC. Οι χωρητικότητές τους φτάνουν έως και τα 32 GB. Επιλέξτε μια με μέγιστη επιτρεπόμενη θερμοκρασία τους 55°C.
- (3) Όταν η κάρτα μνήμης SD είναι mini SD, mini SDHC, micro SD, ή micro SDHC, χρησιμοποιήστε προσαρμογέα μετατροπής καρτών μνήμης SD.
- (4) Πριν την εγγραφή στην κάρτα μνήμης SD, αφίστε το διακόπτη εγγραφής-προστασίας.



- (5) Πριν την εισαγωγή ή εξαγωγή μιας κάρτας μνήμης SD, φροντίστε να απενεργοποιήσετε το σύστημα. Αν εισαχθεί ή εξαχθεί μια κάρτα μνήμης SD ενώ το σύστημα είναι ενεργοποιημένο, τα αποθηκευμένα δεδομένα ενδέχεται να φθαρούν ή να προκληθεί βλάβη στην κάρτα μνήμης SD.
*Μια κάρτα μνήμης SD παραμένει ενεργή για ένα μικρό διάστημα εφόσον απενεργοποιηθεί το σύστημα. Πριν την εισαγωγή ή εξαγωγή, περιμένετε μέχρι να σβήσουν όλες οι λυχνίες LED του πίνακα ελέγχου FTC.
- (6) Οι λειτουργίες ανάγνωσης και γραφής έχουν επαληθευτεί με τη χρήση των ακολουθιών καρτών μνήμης SD, αυτές οι λειτουργίες δεν είναι πάντα εγγυημένες καθώς οι προδιαγραφές αυτών των καρτών μνήμης μπορεί να αλλάξουν.

- (7) Φροντίστε να ακολουθήσετε τις οδηγίες και τις απαιτήσεις του κατασκευαστή της κάρτας μνήμης SD.
- (8) Μορφοποιήστε την κάρτα μνήμης SD αν θεωρηθεί μη αναγνώσιμη στο βήμα (6). Αυτό μπορεί να την καταστήσει αναγνώσιμη. Κάντε λήψη ενός μορφοποιητή καρτών SD από την ακόλουθη ιστοσελίδα. Αρχική ιστοσελίδα SD Association: <https://www.sdcard.org/home/>
- (9) Το FTC υποστηρίζει το σύστημα αρχείων FAT αλλά όχι το σύστημα αρχείων NTFS.
- (10) Η Mitsubishi Electric δεν φέρει καμία ευθύνη για τυχόν βλάβες σε ολόκληρο ή μέρος, συμπεριλαμβανομένης της βλάβης γραφής σε μια κάρτα μνήμης SD και φθοράς και απώλειας των αποθηκευμένων δεδομένων ή παρόμοιων. Δημιουργήστε αντίγραφα ασφαλείας των αποθηκευμένων δεδομένων, όπως κρίνεται απαραίτητο.
- (11) Μην αγγίζετε τυχόν ηλεκτρικά μέρη του πίνακα ελέγχου FTC όταν εισάγετε ή εξάγετε μια κάρτα μνήμης SD, διαφορετικά ο πίνακας ελέγχου ενδέχεται να παρουσιάσει βλάβη.

Λογότυπα		
Χωρητικότητα		
2 GB έως 32 GB *2		
Κλάσεις ταχύτητας SD		
Όλες		

- Το λογότυπο SD αποτελεί εμπορικό σήμα της SD-3C, LLC.
- Το λογότυπο mini SD αποτελεί εμπορικό σήμα της SD-3C, LLC.
- Το λογότυπο micro SD αποτελεί εμπορικό σήμα της SD-3C, LLC.

*2 Μια κάρτα μνήμης 2-GB SD αποθηκεύει έως και 30 ημέρες αρχεία καταγραφής της λειτουργίας.

Κατασκευαστής	Μοντέλο	Δοκιμάστηκε στη
Verbatim	#44015	Μάρ. 2012
SanDisk	SDSDB-002G-B35	Οκτ. 2011
Panasonic	RP-SDP04GE1K	Οκτ. 2011
Arvato	2GB PS8032 TSB 24nm MLC	Ιούν. 2012
Arvato	2GB PS8035 TSB A19nm MLC	Ιούλ. 2014
SanDisk	SDSDUN-008G-G46	Οκτ. 2016
Verbatim	#43961	Οκτ. 2016
Verbatim	#44018	Οκτ. 2016
VANTASTEK	VSDHC08	Σεπ. 2017

Πριν τη χρήση μιας νέας κάρτας μνήμης SD (συμπεριλαμβανομένης της κάρτας που διατίθεται μαζί με τη μονάδα), πάντα να ελέγχετε ώστε η κάρτα μνήμης SD να μπορεί να αναγνωστεί και να εγγραφεί με ασφάλεια από τον ελεγκτή FTC.

<Τρόπος ελέγχου λειτουργιών ανάγνωσης και γραφής>

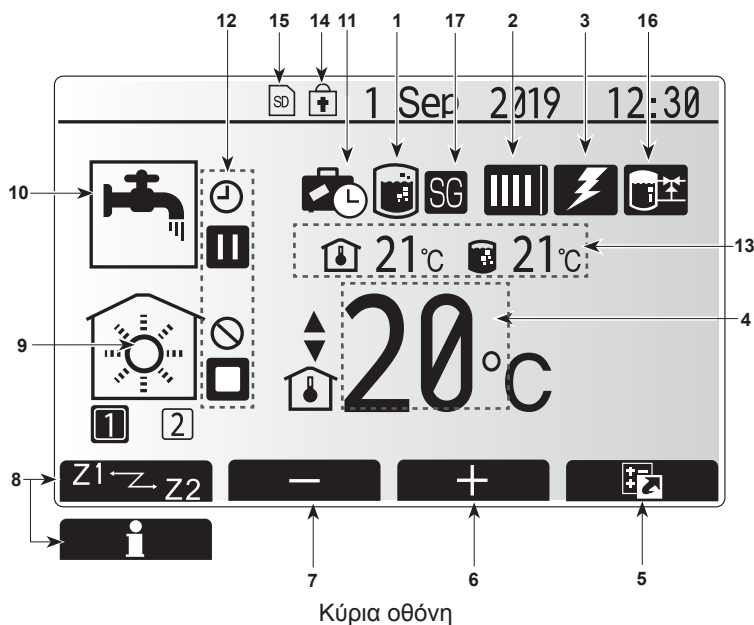
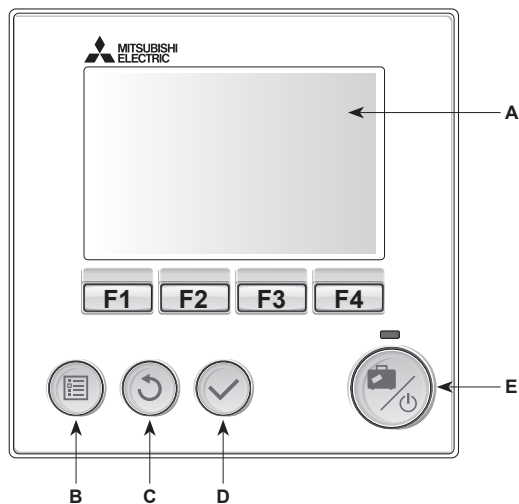
- α) Ελέγξτε για τη σωστή ενσωμάτωση της παροχής ρεύματος στο σύστημα. Για περισσότερες λεπτομέρειες, ανατρέξτε στην ενότητα 4.5. (Σε αυτό το σημείο μην ενεργοποιείτε το σύστημα.)
- β) Εισάγετε μια κάρτα μνήμης SD.
- γ) Ενεργοποιήστε το σύστημα.
- δ) Η λυχνία LED4 ανάβει αν οι λειτουργίες ανάγνωσης και γραφής έχουν ολοκληρωθεί επιτυχώς. Αν η λυχνία LED4 συνεχίσει να αναβοσβήνει ή δεν ανάβει, τότε η κάρτα μνήμης SD δεν μπορεί να αναγνωστεί ή γραφεί από τον ελεγκτή FTC.

5 Ρύθμιση συστήματος

5.7 Κύριο τηλεχειριστήριο

Για να αλλάξετε τις ρυθμίσεις του συστήματός σας θέρμανσης/ψύξης, χρησιμοποιήστε το κύριο τηλεχειριστήριο που βρίσκεται στην πρόσοψη της μονάδας κυλίνδρου ή hydrobox. Παρακάτω ακολουθεί ένας οδηγός για την προβολή των κύριων ρυθμίσεων. Αν χρειαστείτε περισσότερες πληροφορίες, επικοινωνήστε με τον τεχνικό εγκατάστασης ή τον τοπικό αντιπρόσωπο της Mitsubishi Electric.

Η λειτουργία ψύξης είναι διαθέσιμη μόνο στις σειρές ERS. Ωστόσο, η λειτουργία ψύξης δεν είναι διαθέσιμη όταν η εσωτερική μονάδα είναι συνδεδεμένη στο PUHZ-FRP.



Κύρια οθόνη

<Μέρη κύριου τηλεχειριστηρίου>

Γράμμα	Όνομα	Λειτουργία
A	Οθόνη	Η οθόνη στην οποία εμφανίζονται όλες οι πληροφορίες
B	Μενού	Πρόσβαση στις ρυθμίσεις συστήματος για την αρχική ρύθμιση και τροποποιήσεις.
C	Πίσω	Επιστροφή στο προηγούμενο μενού.
D	Επιβεβαίωση	Χρησιμοποιείται για επιλογή ή αποθήκευση. (Πλήκτρο εισαγωγής)
E	Ενεργοποίηση/ Απενεργοποίηση/ Διακοπές	Αν το σύστημα είναι απενεργοποιημένο, πιάστε το μία φορά για να ΕΝΕΡΓΟΠΟΙΗΘΕΙ το σύστημα. Αν το πιάσετε ξανά ενώ το σύστημα είναι ενεργοποιημένο, θα ενεργοποιηθεί η λειτουργία Διακοπών. Αν κρατήσετε πατημένο το κουμπί για 3 δευτερόλεπτα., το σύστημα θα απενεργοποιηθεί. (*1)
F1-4	Πλήκτρα λειτουργίας	Χρησιμοποιούνται για την περιήγηση στο μενού και την προσαρμογή των ρυθμίσεων. Η λειτουργία καθορίζεται από την οθόνη μενού που εμφανίζεται στην οθόνη A.

*1

Όταν το σύστημα απενεργοποιείται ή όταν η παροχή ρεύματος αποσυνδέεται, οι λειτουργίες προστασίας της μονάδας κυλίνδρου (π.χ. λειτουργία προστασίας παγώματος) ΔΕΝ θα λειτουργούν. Έχετε υπόψη σας ότι χωρίς αυτές τις λειτουργίες ασφαλείας ενεργοποιημένες, η μονάδα κυλίνδρου μπορεί να υποστεί ζημιά.

<Εικονίδια κύριας οθόνης>

Εικονίδιο	Περιγραφή														
1	Αποτροπή Λεγεωνέλλας Όταν εμφανίζεται αυτό το εικονίδιο, η «Λειτουργία αποτροπής της λεγεωνέλλωσης» είναι ενεργή.														
2	Αντλία θερμότητας <table border="1"> <tr> <td></td> <td>Η «Αντλία θερμότητας» βρίσκεται σε λειτουργία.</td> </tr> <tr> <td></td> <td>Απόψυξη</td> </tr> <tr> <td></td> <td>Θέρμανση έκτακτης ανάγκης</td> </tr> <tr> <td></td> <td>Η αθόρυβη λειτουργία έχει ενεργοποιηθεί.</td> </tr> </table>		Η «Αντλία θερμότητας» βρίσκεται σε λειτουργία.		Απόψυξη		Θέρμανση έκτακτης ανάγκης		Η αθόρυβη λειτουργία έχει ενεργοποιηθεί.						
	Η «Αντλία θερμότητας» βρίσκεται σε λειτουργία.														
	Απόψυξη														
	Θέρμανση έκτακτης ανάγκης														
	Η αθόρυβη λειτουργία έχει ενεργοποιηθεί.														
3	Ηλεκτρικός θερμαντήρας Όταν εμφανίζεται αυτό το εικονίδιο, χρησιμοποιούνται οι «Ηλεκτρικοί θερμαντήρες» (ταχυθερμαντήρας ή θερμαντήρας εμβάπτισης).														
4	Επιθυμητή θερμοκρασία <table border="1"> <tr> <td></td> <td>Επιθυμητή θερμοκρασία ροής</td> </tr> <tr> <td></td> <td>Επιθυμητή θερμοκρασία χώρου</td> </tr> <tr> <td></td> <td>Καμπύλη αντιστάθμισης</td> </tr> </table>		Επιθυμητή θερμοκρασία ροής		Επιθυμητή θερμοκρασία χώρου		Καμπύλη αντιστάθμισης								
	Επιθυμητή θερμοκρασία ροής														
	Επιθυμητή θερμοκρασία χώρου														
	Καμπύλη αντιστάθμισης														
5	ΕΠΙΛΟΓΗ Πιέζοντας το κουμπί λειτουργίας κάτω από αυτό το εικονίδιο θα εμφανιστεί η οθόνη επιλογής.														
6	+ Αύξηση της επιθυμητής θερμοκρασίας.														
7	- Μείωση της επιθυμητής θερμοκρασίας.														
8	Z1 Z2 Πιέζοντας το κουμπί λειτουργίας κάτω από αυτό το εικονίδιο γίνεται εναλλαγή μεταξύ της Ζώνης 1 και Ζώνης 2. Πληροφορίες Πιέζοντας το κουμπί λειτουργίας κάτω από αυτό το εικονίδιο εμφανίζεται η οθόνη πληροφοριών.														
9	Λειτουργία θέρμανσης/ ψύξης χώρου <table border="1"> <tr> <td></td> <td>Λειτουργία θέρμανσης Ζώνη 1 ή Ζώνη 2</td> </tr> <tr> <td></td> <td>Λειτουργία ψύξης Ζώνη 1 ή Ζώνη 2</td> </tr> </table>		Λειτουργία θέρμανσης Ζώνη 1 ή Ζώνη 2		Λειτουργία ψύξης Ζώνη 1 ή Ζώνη 2										
	Λειτουργία θέρμανσης Ζώνη 1 ή Ζώνη 2														
	Λειτουργία ψύξης Ζώνη 1 ή Ζώνη 2														
10	Λειτουργία DHW Κανονική λειτουργία ή λειτουργία ECO														
11	Λειτουργία διακοπών Όταν εμφανίζεται αυτό το εικονίδιο, η «Λειτουργία διακοπών» είναι ενεργή.														
12	<table border="1"> <tr> <td></td> <td>Χρονοδιακόπτης</td> </tr> <tr> <td></td> <td>Απαγορεύεται</td> </tr> <tr> <td></td> <td>Έλεγχος εξυπηρητητή</td> </tr> <tr> <td></td> <td>Αναμονή</td> </tr> <tr> <td></td> <td>Αναμονή (*2)</td> </tr> <tr> <td></td> <td>Διακοπή</td> </tr> <tr> <td></td> <td>Σε λειτουργία</td> </tr> </table>		Χρονοδιακόπτης		Απαγορεύεται		Έλεγχος εξυπηρητητή		Αναμονή		Αναμονή (*2)		Διακοπή		Σε λειτουργία
	Χρονοδιακόπτης														
	Απαγορεύεται														
	Έλεγχος εξυπηρητητή														
	Αναμονή														
	Αναμονή (*2)														
	Διακοπή														
	Σε λειτουργία														
13	Τρέχουσα θερμοκρασία <table border="1"> <tr> <td></td> <td>Τρέχουσα θερμοκρασία χώρου</td> </tr> <tr> <td></td> <td>Τρέχουσα θερμοκρασία νερού της δεξαμενής DHW</td> </tr> </table>		Τρέχουσα θερμοκρασία χώρου		Τρέχουσα θερμοκρασία νερού της δεξαμενής DHW										
	Τρέχουσα θερμοκρασία χώρου														
	Τρέχουσα θερμοκρασία νερού της δεξαμενής DHW														
14	 Το κουμπί Μενού είναι κλειδωμένο ή η εναλλαγή των τρόπων λειτουργίας μεταξύ της λειτουργίας DHW και της λειτουργίας Θέρμανσης είναι απενεργοποιημένη στην οθόνη Επιλογής. (*3)														
15	<table border="1"> <tr> <td></td> <td>Έχει εισαχθεί η κάρτα μνήμης SD. Κανονική λειτουργία.</td> </tr> <tr> <td></td> <td>Έχει εισαχθεί η κάρτα μνήμης SD. Μη φυσιολογική λειτουργία.</td> </tr> </table>		Έχει εισαχθεί η κάρτα μνήμης SD. Κανονική λειτουργία.		Έχει εισαχθεί η κάρτα μνήμης SD. Μη φυσιολογική λειτουργία.										
	Έχει εισαχθεί η κάρτα μνήμης SD. Κανονική λειτουργία.														
	Έχει εισαχθεί η κάρτα μνήμης SD. Μη φυσιολογική λειτουργία.														
16	Έλεγχος ενδιάμεσης δεξαμενής Όταν εμφανίζεται αυτό το εικονίδιο, ο «Έλεγχος ενδιάμεσης δεξαμενής» είναι ενεργός.														
17	Έξυπνο δίκτυο Όταν εμφανίζεται αυτό το εικονίδιο, το Έξυπνο δίκτυο είναι ενεργό.														

*2 Αυτή η μονάδα βρίσκεται σε αναμονή ενώ άλλη(ς) εσωτερική(ές) μονάδα(ες) βρίσκεται(ονται) σε λειτουργία κατά προτεραιότητα.

*3 Για να κλειδώσετε ή να ξεκλειδώσετε το Μενού, πιάστε τα πλήκτρα ΠΙΣΩ και ΕΠΙΒΕΒΑΙΩΣΗ ταυτόχρονα για 3 δευτ.

5 Ρύθμιση συστήματος

■ [Initial settings wizard] (Βοηθός αρχικής ρύθμισης)

Όταν το κύριο τηλεχειριστήριο ενεργοποιείται για πρώτη φορά, τότε η οθόνη μεταβαίνει αυτόματα και με τη σειρά στην οθόνη ρύθμισης Γλώσσα, οθόνη ρύθμισης Ημερομηνία/Ωρα και στην οθόνη μενού Κύριες ρυθμίσεις. Εισάγετε τον επιθυμητό αριθμό χρησιμοποιώντας τα πλήκτρα λειτουργίας και πιέστε CONFIRM (Επιβεβαίωση).

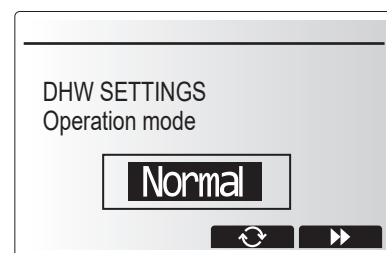
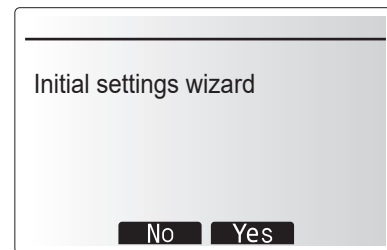
Σημείωση:

<HEATER CAPACITY RESTRICTION> (ΠΕΡΙΟΡΙΣΜΟΣ ΙΣΧΥΟΣ ΘΕΡΜΑΝΤΗΡΑ)

Αυτή η ρύθμιση περιορίζει την ισχύ του ενισχυτικού θερμαντήρα. ΔΕΝ είναι εφικτό να αλλάξει η ρύθμιση μετά την εκκίνηση.

Αν δεν έχετε τυχόν ειδικές απαιτήσεις (όπως κανονισμούς κτιρίων) στη χώρα σας, παραλείψτε αυτή τη ρύθμιση (επιλέξτε "No" (Όχι)).

- [Hot water (DHW/Legionella)] (Ζεστό νερό (DHW/Λεγεωνέλλα))
- [Heating]/[Cooling] ((Θέρμανση)/(Ψύξη))
- [Operation (ON/Prohibited/Timer)] (Λειτουργία (ΕΝΕΡΓΟΠΟΙΗΣΗ/Απαγορεύεται/Χρονοδιακόπτης))
- [Pump speed] (Ταχύτητα αντλίας)
- [Heat pump flow rate range] (Εύρος ρυθμού ροής της αντλίας θερμότητας)
- [Mixing valve control] (Έλεγχος βαλβίδας ανάμειξης)
- [HEATER CAPACITY RESTRICTION] (ΠΕΡΙΟΡΙΣΜΟΣ ΙΣΧΥΟΣ ΘΕΡΜΑΝΤΗΡΑ)



■ Μενού κύριων ρυθμίσεων

Μπορείτε να αποκτήσετε πρόσβαση στο κύριο μενού ρυθμίσεων πατώντας το κουμπί [MENU] (Μενου). Για να περιορίσετε τον κίνδυνο τυχαίας αλλαγής των ρυθμίσεων από μη εκπαιδευμένους χρήστες υπάρχουν δυο επίπεδα πρόσβασης στις κύριες ρυθμίσεις: και η ενότητα του μενού σέρβις προστατεύεται με κωδικό πρόσβασης.

Επίπεδο χρήστη - Σύντομο πάτημα

Αν το κουμπί [MENU] (Μενου) πατηθεί μια φορά σύντομα, τότε θα εμφανιστούν οι κύριες ρυθμίσεις αλλά χωρίς τη λειτουργία επεξεργασίας. Αυτό θα επιτρέψει στο χρήστη να δει τρέχουσες ρυθμίσεις αλλά **ΟΧΙ** να αλλάξει τις παραμέτρους.

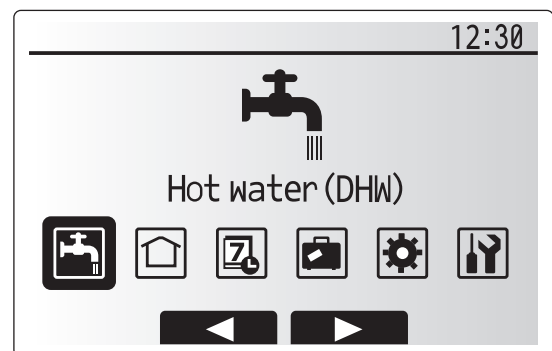
Επίπεδο υπεύθυνου εγκατάστασης - Σύντομο πάτημα

Αν το κουμπί [MENU] (Μενου) πατηθεί για 3 δευτερόλεπτα, τότε θα εμφανιστούν οι κύριες ρυθμίσεις με όλες τις διαθέσιμες λειτουργίες.

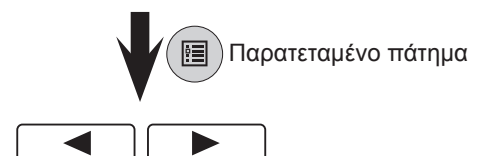
Το χρώμα των ◀▶ κουμπιών είναι ανεστραμμένο, όπως φαίνεται στην εικόνα δεξιά. <Εικ. 5.7.1>

Τα ακόλουθα στοιχεία μπορούν να προβληθούν ή/και να τεθούν υπό επεξεργασία (ανάλογα με το επίπεδο πρόσβασης).

- [Domestic Hot water (DHW)] (Ζεστό νερό οικιακής χρήσης (DHW))
- [Heating/Cooling] (Θέρμανση/Ψύξη)
- [Schedule timer] (Χρονοδιακόπτης προγράμματος)
- [Holiday mode] (Λειτουργία διακοπών)
- [Initial settings] (Αρχικές ρυθμίσεις)
- [Service (Password protected)] (Σέρβις (Με προστασία κωδικού πρόσβασης))



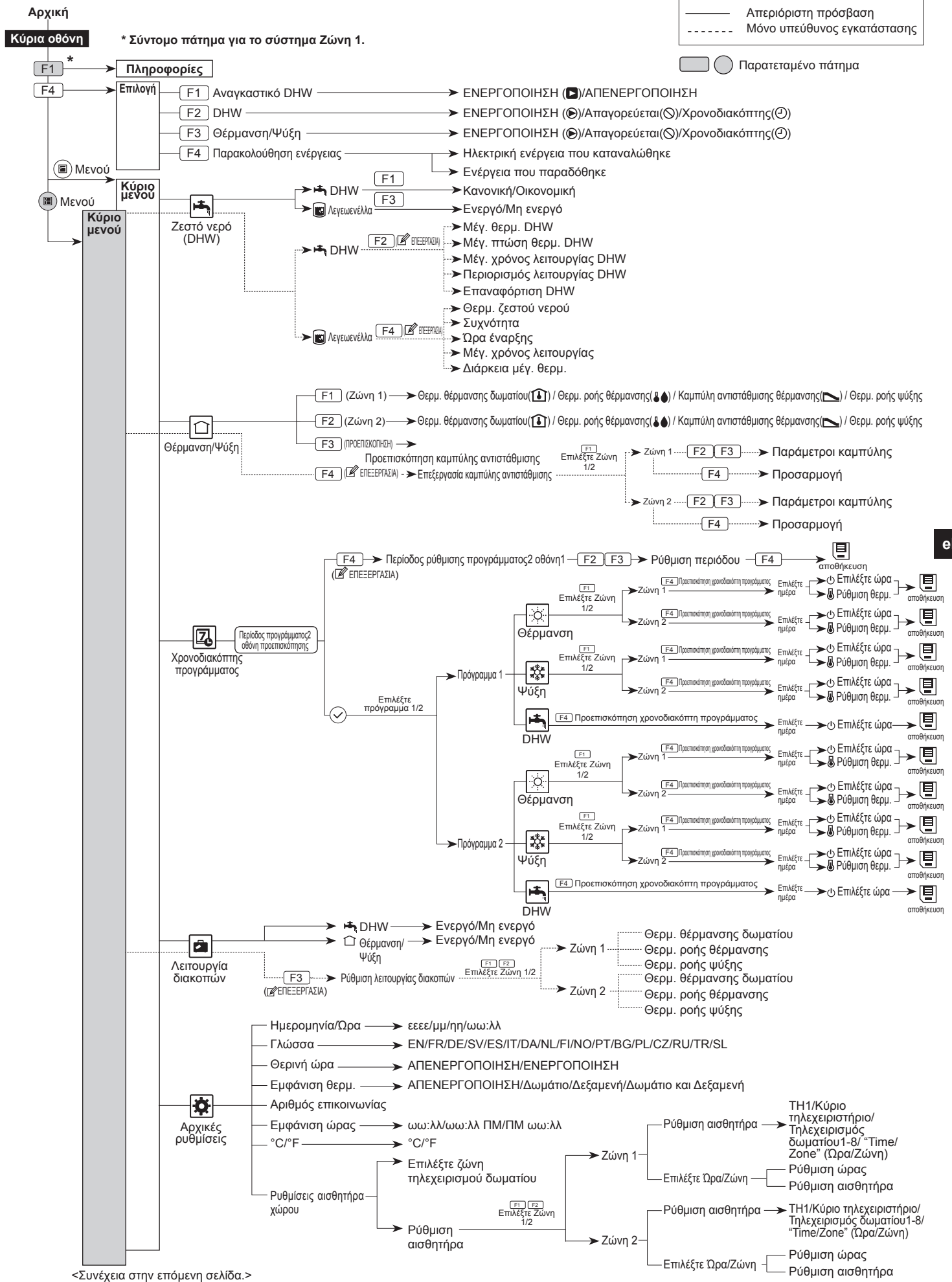
Κύριο μενού



<Εικ. 5.7.1>

5 Ρύθμιση συστήματος

<Μενού κύριου τηλεχειριστηρίου>

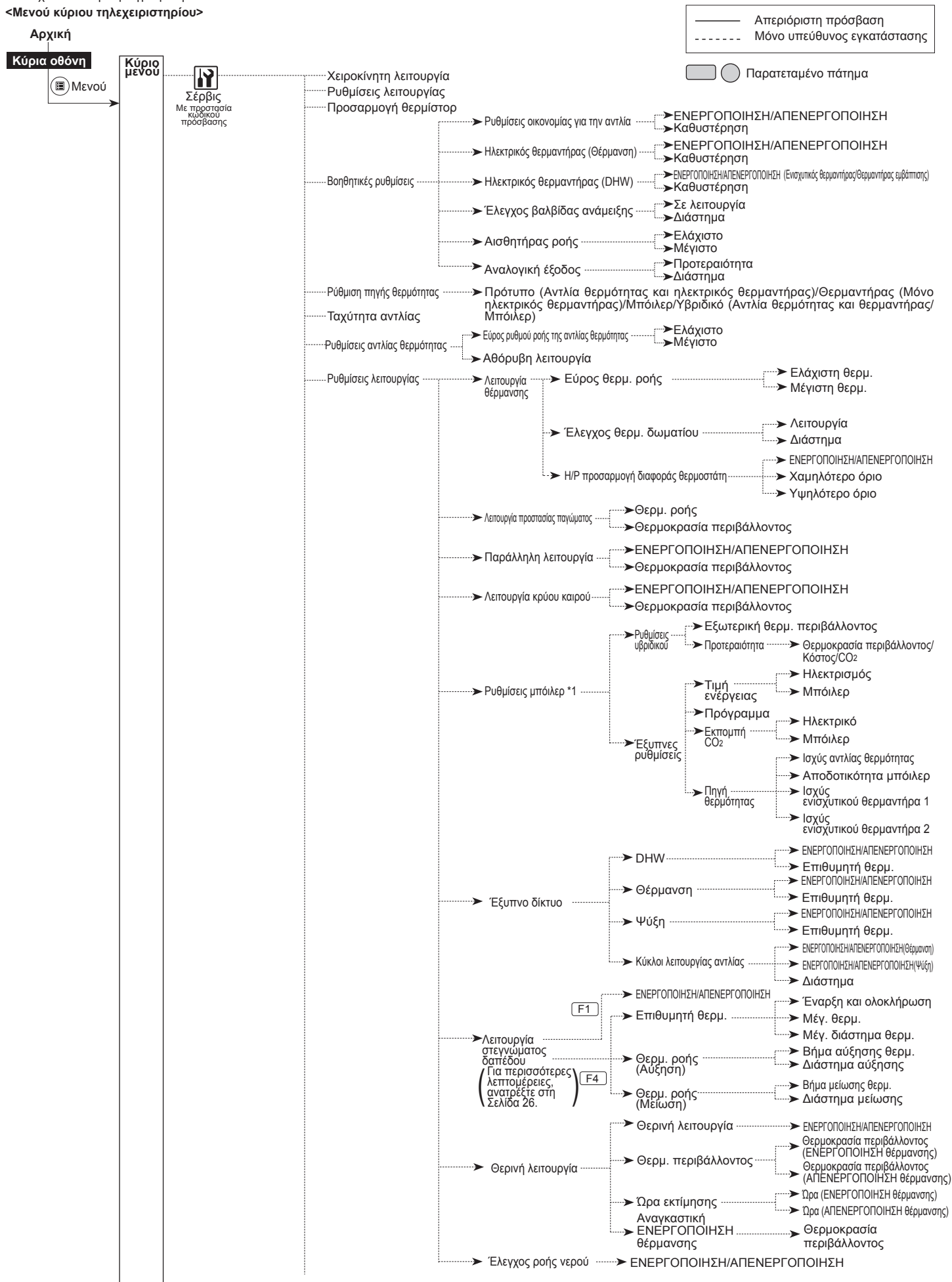


<Συνέχεια στην επόμενη σελίδα.>

5 Ρύθμιση συστήματος

<Συνέχεια από την προηγούμενη σελίδα.>

<Μενού κύριου τηλεχειριστηρίου>

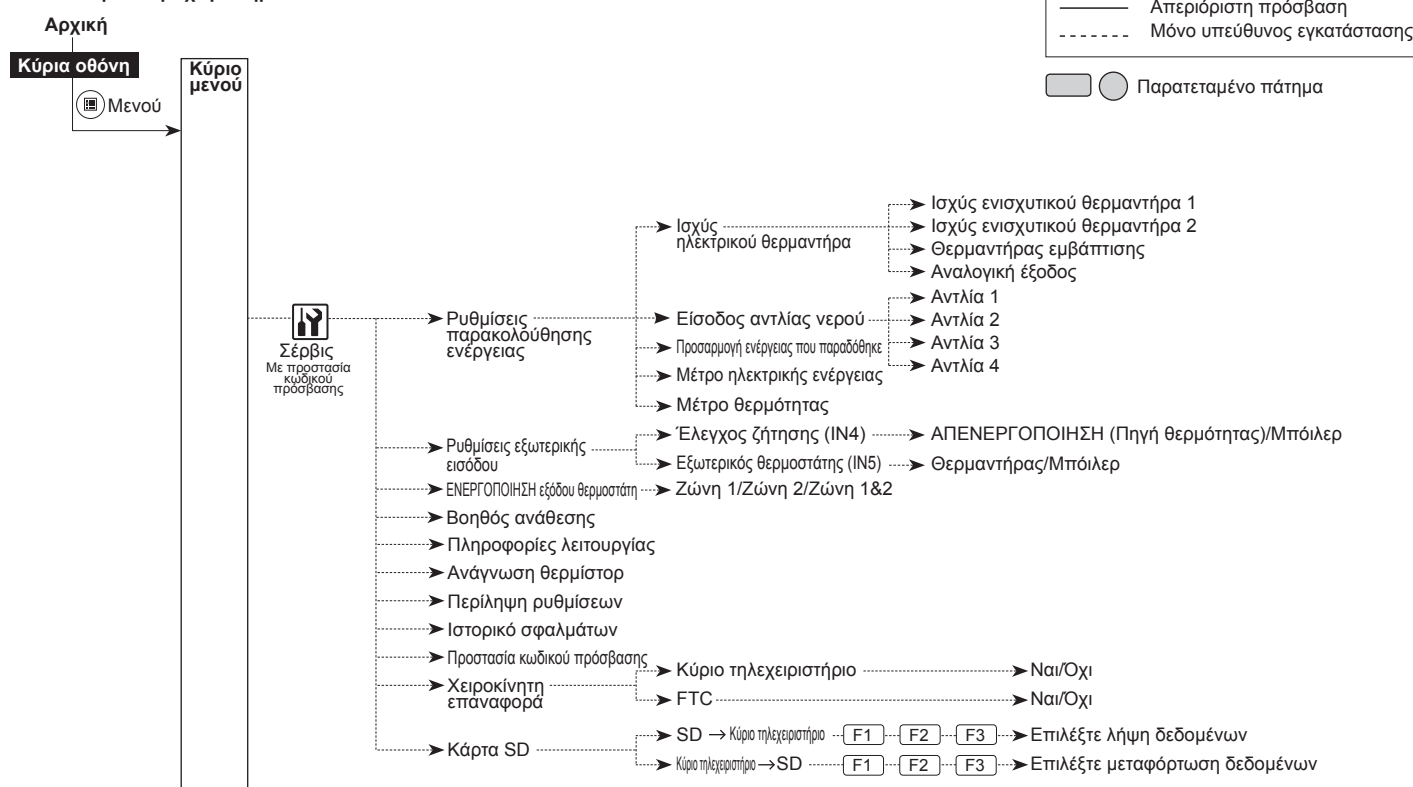


*1 Για περισσότερες λεπτομέρειες, ανατρέξτε στο εγχειρίδιο εγκατάστασης του PAC-TH012HT-(L)E.

5 Ρύθμιση συστήματος

<Συνέχεια από την προηγούμενη σελίδα.>

<Μενού κύριου τηλεχειριστηρίου>

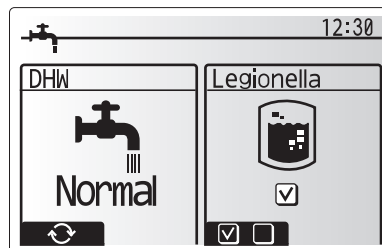


Ζεστό νερό οικιακής χρήσης (DHW)/Αποτροπή της Λεγεωνέλλας

Τα μενού ζεστού νερού οικιακής χρήσης και αποτροπής της Λεγεωνέλλας ελέγχουν τη λειτουργία υπερθέρμανσης της δεξαμενής DHW.

<Ρυθμίσεις λειτουργίας DHW>

1. Επισημάνετε το εικονίδιο ζεστού νερού και πατήστε CONFIRM (Επιβεβαίωση).
2. Χρησιμοποιήστε το κουμπί F1 για εναλλαγή μεταξύ των λειτουργιών Κανονική και Οικονομική θέρμανση.
3. Για την επεξεργασία της λειτουργίας, πατήστε το κουμπί MENU (Μενου) για 3 δευτερόλεπτα, κι έπειτα επιλέξτε "hot water" (ζεστό νερό).
4. Πατήστε το κουμπί F2 για να εμφανιστεί το μενού HOTWATER (DHW) SETTING (Ρύθμιση ζεστού νερού) (DHW).
5. Χρησιμοποιήστε τα κουμπιά F2 και F3 για να μετακινηθείτε στο μενού επιλέγοντας κάθε στοιχείο με τη σειρά πατώντας CONFIRM (Επιβεβαίωση). Δείτε τον παρακάτω πίνακα για την περιγραφή κάθε ρύθμισης.
6. Εισάγετε τον επιθυμητό αριθμό χρησιμοποιώντας τα πλήκτρα λειτουργίας και πιέστε CONFIRM (Επιβεβαίωση).



Μενού υποτίτλων	Λειτουργία	Εύρος	Μονάδα	Προεπιλεγμένη τιμή
Μέγ. θερμ. DHW	Επιθυμητή θερμοκρασία αποθηκευμένου ζεστού νερού	40 - 60	°C	50
Μέγ. πώση θερμ. DHW	Η διαφορά θερμοκρασίας μεταξύ της μέγ. θερμ. DHW και της θερμοκρασίας στην οποία η λειτουργία DHW επανεκκινείται	5 - 30 *	°C	10
Μέγ. χρόνος λειτουργίας DHW	Ο μέγ. επιτρεπόμενος χρόνος για τη λειτουργία θέρμανσης αποθηκευμένου νερού DHW	30 - 120	min	60
Περιορισμός λειτουργίας DHW	Το χρονικό διάστημα μετά τη λειτουργία DHW όταν η θέρμανση χώρου έχει προτεραιότητα από την λειτουργία DHW προλαμβάνοντας προσωρινά την περαιτέρω θέρμανση του αποθηκευμένου νερού (Μόνο όταν έχει παρέλθει ο μέγ. χρόνος λειτουργίας DHW.)	30 - 120	min	30

* Όταν η μέγ. θερμ. DHW έχει οριστεί άνω των 55°C, η θερμοκρασία στην οποία θα επανεκκινείται η λειτουργία DHW θα πρέπει να είναι μικρότερη από τους 50°C για να προστατευτεί τη συσκευή.

<Οικονομική λειτουργία>

Η λειτουργία DHW μπορεί να λειτουργήσει είτε στην "Κανονική" είτε στην "Οικονομική" λειτουργία. Η κανονική λειτουργία μπορεί να θερμάνει το νερό στη δεξαμενή DHW πιο γρήγορα χρησιμοποιώντας την πλήρη ισχύ της αντλίας θερμότητας. Η οικονομική λειτουργία χρειάζεται λίγο περισσότερο χρόνο για να θερμάνει το νερό στη δεξαμενή DHW αλλά η ενέργεια που χρησιμοποιείται είναι μειωμένη. Αυτό οφείλεται στο γεγονός ότι η λειτουργία της αντλίας θερμότητας περιορίζεται στη χρήση σημάτων από το FTC με βάση την μετρημένη θερμοκρασία της δεξαμενής DHW.

Σημείωση: Η πραγματική ενέργεια που εξοικονομείται στην Οικονομική λειτουργία θα ποικίλει ανάλογα με την εξωτερική θερμοκρασία περιβάλλοντος.

<[DHW recharge]> (Επαναφόρτιση DHW)

Επιλέξτε την ποσότητα της DHW. Αν χρειάζεστε αρκετό ζεστό νερό, επιλέξτε LARGE (Μεγάλη), αλλά αυξάνουν το λειτουργικό κόστος.

Επιστρέψτε στο μενού DHW/αποτροπή της Λεγεωνέλλας.

5 Ρύθμιση συστήματος

Ρυθμίσεις Λειτουργίας Αποτροπής της Λεγεωνέλλας (Λειτουργία LP)

- Χρησιμοποιήστε το κουμπί F3 για να επιλέξετε ενεργή λειτουργία Λεγεωνέλλας [YES/NO] (Ναι/Όχι).
- Για την επεξεργασία της λειτουργίας Λεγεωνέλλας, πατήστε το κουμπί MENU (Μενού) για 3 δευτερόλεπτα, κι επιλέξτε "hot water" (ζεστό νερό), στη συνέχεια πατήστε το πλήκτρο F4.
- Χρησιμοποιήστε τα κουμπιά F1 και F2 για να μετακινηθείτε στο μενού επιλέγοντας κάθε υπότιτλο με τη σειρά πατώντας CONFIRM (Επιβεβαίωση). Δείτε τον παρακάτω πίνακα για την περιγραφή κάθε ρύθμισης.
- Εισάγετε τον επιθυμητό αριθμό χρησιμοποιώντας τα πλήκτρα λειτουργίας και πιέστε CONFIRM (Επιβεβαίωση).

Κατά τη λειτουργία Αποτροπής της Λεγεωνέλλας, η θερμοκρασία του αποθηκευμένου νερού αυξάνεται άνω των 60°C για να αναστείλει την ανάπτυξη βακτηρίων Λεγεωνέλλας. Συνιστάται ανεπιφύλακτα να πραγματοποιείται ανά τακτά διαστήματα. Παρακαλούμε ελέγξτε τους τοπικούς κανονισμούς για τη συνιστώμενη συχνότητα των υπερθερμάνσεων.

Σημείωση: Όταν προκύπτει βλάβη στο Hydrobox, η λειτουργία LP ενδέχεται να μην λειτουργεί κανονικά.

Μενού υποτίτλων	Λειτουργία	Εύρος	Μονάδα	Προεπιλεγμένη τιμή
Θερμ. ζεστού νερού	Επιθυμητή θερμ. αποθηκευμένου ζεστού νερού	60–70	°C	65
Συχνότητα	Χρόνος μεταξύ των υπερθερμάνσεων της δεξαμενής DHW κατά τη λειτουργία LP	1–30	ημέρα	15
Ωρα έναρξης	Ωρα κατά την οποία θα ξεκινήσει η λειτουργία LP	0:00–23:00	-	03:00
Μέγ. χρόνος λειτουργίας	Μέγιστος επιτρεπόμενος χρόνος για θέρμανση της δεξαμενής DHW κατά τη λειτουργία LP	1–5	ώρα	3
Διάρκεια μέγ. θερμ.	Το χρονικό διάστημα εφόσον έχει επιτευχθεί η επιθυμητή θερμ. νερού κατά τη λειτουργία LP	1–120	min	30

⚙️ [Initial Settings] (Αρχικές ρυθμίσεις)

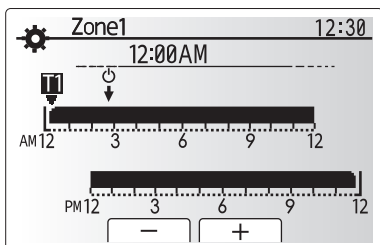
Από το μενού Αρχικές ρυθμίσεις ο υπεύθυνος εγκατάστασης μπορεί να ορίσει τα ακόλουθα.

- [Date/Time] (Ημερομηνία/Ωρα) *Φροντίστε να την ορίσετε στην τοπική ώρα.
- [Language] (Γλώσσα)
- [Summer time] (Θερινή ώρα)
- [Temp. display] (Εμφάνιση θερμ.)
- [Contact number] (Αριθμός επικοινωνίας)
- [Time display] (Εμφάνιση ώρας)
- [°C/°F] (°C/°F)
- [Room sensor settings] (Ρυθμίσεις αισθητήρα δωματίου)

Ακολουθήστε τη διαδικασία που περιγράφεται στη Γενική λειτουργία για να ρυθμίσετε τη λειτουργία.

<[Room sensor settings]> (Ρυθμίσεις αισθητήρα δωματίου)

Για τις ρυθμίσεις αισθητήρα δωματίου είναι σημαντικό να επιλέξετε το σωστό αισθητήρα δωματίου ανάλογα με τη λειτουργία θέρμανσης στην οποία θα λειτουργεί το σύστημα.



Οθόνη ρύθμισης προγράμματος Ωρα/Ζώνη

Μενού υποτίτλων	Περιγραφή																				
Επιλέξτε ζώνη τηλεχειρισμού δωματίου	Όταν είναι ενεργός ο έλεγχος θερμοκρασίας 2 ζωνών και τα ασύρματα τηλεχειριστήρια είναι διαθέσιμα, επιλέξτε από την οθόνη ζώνη τηλεχειρισμού δωματίου τον αρ. ζώνης για να αναθέσετε σε κάθε κύριο τηλεχειριστήριο.																				
Ρύθμιση αισθητήρα	Από την οθόνη ρύθμιση αισθητήρα επιλέξτε έναν αισθητήρα δωματίου που πρόκειται να χρησιμοποιηθεί για παρακολούθηση της θερμοκρασίας δωματίου από τη Ζώνη 1 και τη Ζώνη 2 χωριστά. <table border="1" style="width: 100%; margin-top: 10px;"> <thead> <tr> <th rowspan="2">Επιλογή ελέγχου (Εγχειρίδιο της ιστοσελίδας)</th> <th colspan="2">Αντίστοιχες αρχικές ρυθμίσεις αισθητήρα δωματίου</th> </tr> <tr> <th>Ζώνη 1</th> <th>Ζώνη 2</th> </tr> </thead> <tbody> <tr> <td>A</td> <td>Τηλεχειριστήριο δωματίου 1-8 (ένα κάθε φορά για τη Ζώνη 1 και τη Ζώνη 2)</td> <td>*1</td> </tr> <tr> <td>B</td> <td>TH1</td> <td>*1</td> </tr> <tr> <td>C</td> <td>Κύριο τηλεχειριστήριο</td> <td>*1</td> </tr> <tr> <td>D</td> <td>*1</td> <td>*1</td> </tr> <tr> <td>Όταν χρησιμοποιούνται διαφορετικοί αισθητήρες δωματίου σύμφωνα με το χρονοδιάγραμμα</td> <td>Ωρα/ Ζώνη*2</td> <td>*1</td> </tr> </tbody> </table> <p>*1. Δεν καθορίζεται (αν χρησιμοποιείται τοπικά παρεχόμενος θερμοστάτης δωματίου) Τηλεχειριστήριο δωματίου 1-8 (ένα κάθε φορά για τη Ζώνη 1 και τη Ζώνη 2) (αν χρησιμοποιείται ασύρματο τηλεχειριστήριο ως θερμοστάτης δωματίου) *2. Από την οθόνη ρύθμιση αισθητήρα, επιλέξτε Ωρα/Ζώνη για να μπορέσετε να χρησιμοποιήσετε διαφορετικούς αισθητήρες δωματίου σύμφωνα με το χρονοδιάγραμμα που έχει οριστεί το μενού Select Time/ Zone (Επιλέξτε Ωρα/Ζώνη). Οι αισθητήρες δωματίου μπορούν να εναλλαχτούν έως 4 φορές εντός 24 ωρών.</p>	Επιλογή ελέγχου (Εγχειρίδιο της ιστοσελίδας)	Αντίστοιχες αρχικές ρυθμίσεις αισθητήρα δωματίου		Ζώνη 1	Ζώνη 2	A	Τηλεχειριστήριο δωματίου 1-8 (ένα κάθε φορά για τη Ζώνη 1 και τη Ζώνη 2)	*1	B	TH1	*1	C	Κύριο τηλεχειριστήριο	*1	D	*1	*1	Όταν χρησιμοποιούνται διαφορετικοί αισθητήρες δωματίου σύμφωνα με το χρονοδιάγραμμα	Ωρα/ Ζώνη*2	*1
Επιλογή ελέγχου (Εγχειρίδιο της ιστοσελίδας)	Αντίστοιχες αρχικές ρυθμίσεις αισθητήρα δωματίου																				
	Ζώνη 1	Ζώνη 2																			
A	Τηλεχειριστήριο δωματίου 1-8 (ένα κάθε φορά για τη Ζώνη 1 και τη Ζώνη 2)	*1																			
B	TH1	*1																			
C	Κύριο τηλεχειριστήριο	*1																			
D	*1	*1																			
Όταν χρησιμοποιούνται διαφορετικοί αισθητήρες δωματίου σύμφωνα με το χρονοδιάγραμμα	Ωρα/ Ζώνη*2	*1																			

🔧 Μενού [Service] (Σέρβις)

Το μενού σέρβις παρέχει λειτουργίες χρήσης για τον υπεύθυνο εγκατάστασης ή τον μηχανικό σέρβις. Δεν ΕΝΔΕΙΚΝΥΤΑΙ για τον ιδιοκτήτη της οικίας να τροποποιεί ρυθμίσεις εντός αυτού του μενού. Για αυτό το λόγο απαιτείται η προστασία κωδικού πρόσβασης ώστε να αποτρέπεται η μη εξουσιοδοτημένη πρόσβαση στις ρυθμίσεις σέρβις.

Ο εργοστασιακός προεπιλεγμένος κωδικός πρόσβασης είναι "0000".

Ακολουθήστε τη διαδικασία που περιγράφεται στη Γενική λειτουργία για να ρυθμίσετε τη λειτουργία.

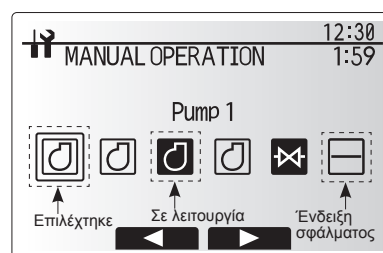
Πολλές λειτουργίες δεν μπορούν να οριστούν ενώ η εσωτερική μονάδα βρίσκεται σε λειτουργία. Ο υπεύθυνος εγκατάστασης θα πρέπει να απενεργοποιήσει τη μονάδα πριν επιχειρήσει να ορίσει αυτές τις λειτουργίες. Αν ο υπεύθυνος εγκατάστασης επιχειρήσει να αλλάξει τις ρυθμίσεις ενώ η μονάδα βρίσκεται σε λειτουργία, τότε το κύριο τηλεχειριστήριο θα εμφανίσει ένα μήνυμα υπενθύμισης που θα ζητά από τον υπεύθυνο εγκατάστασης να διακόψει τη λειτουργία πριν συνεχίσει. Επιλέγοντας "Yes" (Ναι) η μονάδα θα σταματήσει τη λειτουργία.

<[Manual operation]> (Χειροκίνητη λειτουργία)

Κατά την πλήρωση του συστήματος, η αντλία κυκλοφορίας του πρωτεύοντος κυκλώματος και η βαλβίδα 3 κατευθύνσεων μπορούν να παρακαμφθούν χειροκίνητα χρησιμοποιώντας τη χειροκίνητη λειτουργία. Όταν επιλέγεται η χειροκίνητη λειτουργία, εμφανίζεται ένα μικρό εικονίδιο χρονοδιακόπτη στην οθόνη. Όταν επιλέγεται, η παρούσα λειτουργία θα παραμείνει στη χειροκίνητη λειτουργία μόνο για 2 ώρες το μέγιστο. Αυτό γίνεται για να αποτραπεί η μόνιμη παράκαμψη του FTC.

▶ Παράδειγμα

Πατώντας το κουμπί F3 θα φέρει τη χειροκίνητη λειτουργία στη θέση ΕΝΕΡΓΟΠΟΙΗΣΗ για την κύρια βαλβίδα 3 κατευθύνσεων. Όταν ολοκληρωθεί η πλήρωση της δεξαμενής DHW, ο υπεύθυνος εγκατάστασης θα πρέπει να αποκτήσει ξανά πρόσβαση στο μενού και να πατήσει το F3 για να απενεργοποιήσει τη χειροκίνητη λειτουργία του μέρους. Εναλλακτικά, μετά από 2 ώρες η χειροκίνητη λειτουργία δεν θα είναι πλέον ενεργή και το FTC μπορεί να συνεχίσει τον έλεγχο της μονάδας κυλίνδρου.



Οθόνη μενού χειροκίνητης λειτουργίας

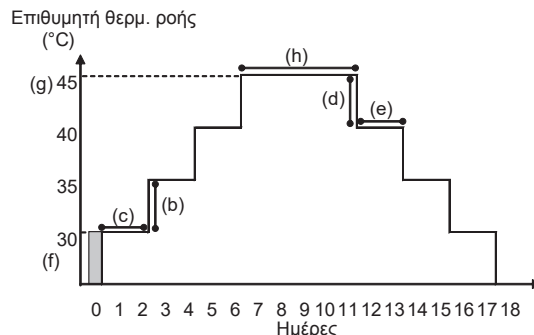
5 Ρύθμιση συστήματος

Η χειροκίνητη λειτουργία και ρύθμιση πηγής θερμότητας δεν μπορούν να επιλεγούν αν το σύστημα βρίσκεται σε λειτουργία. Μια οθόνη θα εμφανιστεί ζητώντας από τον υπεύθυνο εγκατάστασης να διακόψει το σύστημα πριν να ενεργοποιηθούν αυτές οι λειτουργίες.
Το σύστημα διακόπτεται αυτόματα 2 ώρες μετά την τελευταία λειτουργία.

<[Floor dry up function]> (Λειτουργία στεγνώματος δαπέδου)

Η λειτουργία στεγνώματος δαπέδου αλλάζει αυτόματα την επιθυμητή θερμοκρασία ζεστού νερού ώστε να στεγνώνει σταδιακά το σκυρόδεμα όταν έχει εγκατασταθεί αυτός ο συγκεκριμένος τύπος υποδαπέδιου συστήματος θέρμανσης.

Μετά την ολοκλήρωση της λειτουργίας, το σύστημα διακόπτει όλες τις λειτουργίες εκτός από τη λειτουργία προστασίας παγωμένου.
Για τη λειτουργία στεγνώματος δαπέδου, η επιθυμητή θερμ. ροής στη Ζώνη 1 είναι ίδια με εκείνη στη Ζώνη 2.



- Η παρούσα λειτουργία δεν είναι διαθέσιμη όταν είναι συνδεδεμένη μια εξωτερική μονάδα PУHΖ-FRP.
- Αποσυνδέστε την ενσωμάτωση από τις εξωτερικές εισόδους του θερμοστάτη δωματίου, ζήτηση ελέγχου και εξωτερικού θερμοστάτη, διαφορετικά η επιθυμητή θερμοκρασία ροής ενδέχεται να μην διατηρηθεί.

Λειτουργίες	Σύμβολο	Περιγραφή	Επιλογή/Εύρος	Μονάδα	Προεπιλογή	
Λειτουργία στεγνώματος δαπέδου	a	Ορίστε τη λειτουργία στη θέση ΕΝΕΡΓΟΠΟΙΗΣΗ και ενεργοποιήστε το σύστημα με τη χρήση του κύριου τηλεχειριστηρίου και στη συνέχεια θα ξεκινήσει η λειτουργία στεγνώματος θέρμανσης.	Ενεργοποίηση/Απενεργοποίηση	—	Απενεργοποίηση	
Θερμ. ροής (αύξηση)	Βήμα αύξησης θερμ. ροής	b	Ορίζει το βήμα αύξησης της επιθυμητής θερμοκρασίας ροής.	+1 - +10	°C	+5
	Διάστημα αύξησης	c	Ορίζει την περίοδο για την οποία διατηρείται η ίδια επιθυμητή θερμοκρασία ροής.	1 - 7	ημέρα	2
Θερμ. ροής (μείωση)	Βήμα μείωσης θερμ. ροής	d	Ορίζει το βήμα μείωσης της επιθυμητής θερμοκρασίας ροής.	-1 - -10	°C	-5
	Διάστημα μείωσης	e	Ορίζει την περίοδο για την οποία διατηρείται η ίδια επιθυμητή θερμοκρασία ροής.	1 - 7	ημέρα	2
Επιθυμητή θερμοκρασία	Έναρξη και ολοκλήρωση	f	Ορίζει την επιθυμητή θερμοκρασία ροής στην αρχή και το τέλος της λειτουργίας.	20 - 60	°C	30
	Μέγ. επιθυμητή θερμ.	g	Ορίζει τη μέγιστη επιθυμητή θερμοκρασία ροής.	20 - 60	°C	45
	Μέγ. διάστημα θερμ.	h	Ορίζει την περίοδο για την οποία διατηρείται η μέγιστη επιθυμητή θερμοκρασία ροής.	1 - 20	ημέρα	5

<[Password protection]> (Προστασία κωδικού πρόσβασης)

Η προστασία κωδικού πρόσβασης είναι διαθέσιμη για την αποτροπή μη εξουσιοδοτημένης πρόσβασης στο μενού σέρβις από μη εκπαιδευμένα άτομα.

Επαναφορά του κωδικού πρόσβασης

Αν ξεχάσατε τον κωδικό πρόσβασης που εισάγατε ή πρέπει να κάνετε σέρβις σε μια μονάδα που έχει εγκαταστήσει κάποιος άλλος, μπορείτε να επαναφέρετε τον κωδικό πρόσβασης στην εργοστασιακή προεπιλογή **0000**.

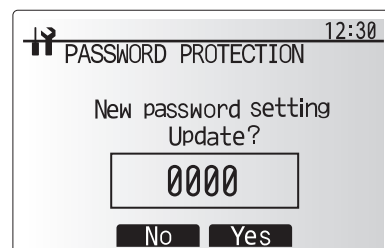
1. Από το μενού κύριες ρυθμίσεις μετακινηθείτε στις λειτουργίες μέχρι να επισημανθεί το Μενού Σέρβις.
2. Πατήστε CONFIRM (Επιβεβαίωση).
3. Θα σας ζητηθεί να εισάγετε έναν κωδικό πρόσβασης.
4. Κρατήστε πατημένα παράλληλα τα κουμπιά F3 και F4 για 3 δευτερόλεπτα.
5. Θα ερωτηθείτε αν επιθυμείτε να συνεχίσετε και να επαναφέρετε τον κωδικό πρόσβασης σε προεπιλεγμένη ρύθμιση.
6. Για επαναφορά πατήστε το κουμπί F3.
7. Ο κωδικός πρόσβασης έχει πλέον επαναφερθεί σε **0000**.

<[Manual reset]> (Χειροκίνητη επαναφορά)

Αν επιθυμείτε να επαναφέρετε ανά πάσα στιγμή τις εργοστασιακές ρυθμίσεις, θα πρέπει να χρησιμοποιήσετε τη λειτουργία εγχειρίδιο επαναφοράς. Παρακαλούμε λάβετε υπόψη σας ότι αυτό θα επαναφέρει ΟΛΕΣ τις λειτουργίες στις εργοστασιακές προεπιλεγμένες ρυθμίσεις.



Οθόνη εισαγωγή κωδικού πρόσβασης



Οθόνη επαλήθευση κωδικού πρόσβασης

6 Ανάθεση

■ Ασκήσεις προ-ανάθεσης- πόσιμο/κύκλωμα DHW

Διαδικασία αρχικού γεμίσματος:

Βεβαιωθείτε ότι όλοι οι σύνδεσμοι των σωλήνων και τα εξαρτήματα είναι σφιγμένα και ασφαλή.

Ανοίξτε την πιο απομακρυσμένη κάνουλα/έξοδο DHW.

Αργά/σταδιακά ανοίξτε την κεντρική παροχή ρεύματος για να ξεκινήσει η πλήρωση της μονάδας και της σωλήνωσης DHW.

Αφήστε την πιο απομακρυσμένη κάνουλα να τρέξει ελεύθερα και απελευθερώστε/καθαρίστε τον υπολειπόμενο αέρα από την εγκατάσταση.

Κλείστε την κάνουλα/έξοδο για να συγκρατήσει το σύστημα πλήρως φορτωμένο.

Σημείωση: Όταν τοποθετείται ένας θερμαντήρας εμβάπτισης, ΜΗΝ ενεργοποιείτε τον θερμαντήρα μέχρι η δεξαμενή DHW να είναι γεμάτη με νερό. Επίσης ΜΗΝ ενεργοποιείτε οποιονδήποτε θερμαντήρα εμβάπτισης αν παραμένουν τυχόν χημικά απολυμαντικά στη δεξαμενή DHW, καθώς αυτό θα προκαλέσει πρόωρη βλάβη στον θερμαντήρα.

Διαδικασία αρχικού ξεπλύματος:

Ενεργοποιήστε το σύστημα για να θερμανθούν τα περιεχόμενα της μονάδας κυλίνδρου σε μια θερμοκρασία 30 - 40°C περίπου.

Ξεπλύνετε/αποστραγγίστε τα περιεχόμενα του νερού για να απομακρύνεται τυχόν υπολείμματα/ακαθαρσίες που προήλθαν από τις εργασίες εγκατάστασης. Χρησιμοποιήστε το στόμιο εκκένωσης της μονάδας κυλίνδρου για να απομακρύνετε με ασφάλεια το ζεσταμένο νερό ώστε να αποστραγγιστεί μέσω ενός κατάλληλου σωλήνα.

Κατά την ολοκλήρωση, κλείστε το στόμιο εκκένωσης, γεμίστε ξανά το σύστημα και συνεχίστε την ανάθεση του συστήματος.

7 Σέρβις και συντήρηση

■ Κωδικοί σφαλμάτων

Κωδικός	σφάλματος	Ενέργεια
L3	Προστασία υπερθέρμανσης θερμοκρασίας κυκλοφορίας νερού	Ο ρυθμός ροής ενδέχεται να μειωθεί. Έλεγχος για: <ul style="list-style-type: none"> • Διαρροή νερού • Έμφραξη φίλτρου • Λειτουργία αντλίας κυκλοφορίας νερού (Ενδέχεται να εμφανιστεί κωδικός σφάλματος κατά την πλήρωση του πρωτεύοντος κυκλώματος, ολοκλήρωση πλήρωσης και κωδικός σφάλματος επαναφοράς.)
L4	Προστασία υπερθέρμανσης θερμοκρασίας νερού της δεξαμενής DHW	Ελέγξτε το θερμαντήρα εμβάπτισης και τον επαφέα του.
L5	Βλάβη θερμίστορ θερμοκρασίας εσωτερικής μονάδας (THW1, THW2, THW5A, THW5B, THW6, THW7, THW8, THW9)	Ελέγξτε την αντίσταση κατά μήκος του θερμίστορ.
L6	Προστασία παγώματος της κυκλοφορίας νερού	Δείτε Ενέργεια για L3.
L8	Σφάλμα λειτουργίας θέρμανσης	Ελέγξτε και συνδέστε ξανά τυχόν θερμίστορ που μπορεί να έχουν εκτοπιστεί.
L9	Ανιχνεύτηκε χαμηλός ρυθμός ροής του πρωτεύοντος κυκλώματος από τον αισθητήρα ροής ή τον διακόπτη ροής (διακόπτες ροής 1, 2, 3)	Δείτε Ενέργεια για L3. Αν ο αισθητήρας ροής ή ο διακόπτης ροής από μόνος του δεν λειτουργεί, αντικαταστήστε τον. Προσοχή: Οι βαλβίδες αντλίας ενδέχεται να καίνε, παρακαλούμε προσέχετε.
LA	Βλάβη αισθητήρα πίεσης	Ελέγξτε το καλώδιο αισθητήρα πίεσης για βλάβη ή χαλαρές συνδέσεις.
LB	Προστασία υψηλής πίεσης	<ul style="list-style-type: none"> • Ο ρυθμός ροής του κυκλώματος θέρμανσης ενδέχεται να μειωθεί. Ελέγξτε το κύκλωμα νερού. • Ο πλακοειδής εναλλάκτης θερμότητας ενδέχεται να είναι φραγμένος. Ελέγξτε τον πλακοειδή εναλλάκτη θερμότητας. • Βλάβη εξωτερικής μονάδας. Ανατρέξτε στο εγχειρίδιο σέρβις εξωτερικής μονάδας.
LC	Προστασία υπερθέρμανσης θερμοκρασίας κυκλοφορίας νερού μπόιλερ	Ελέγξτε αν η ρύθμιση θερμοκρασίας του μπόιλερ για θέρμανση υπερβαίνει τον περιορισμό. (Βλέπε το εγχειρίδιο των θερμίστορ "PAC-TH012HT-E") Ο ρυθμός ροής του κυκλώματος θέρμανσης από το μπόιλερ ενδέχεται να μειωθεί. Έλεγχος για <ul style="list-style-type: none"> • διαρροή νερού, • έμφραξη φίλτρου • λειτουργία αντλίας κυκλοφορίας νερού.
LD	Βλάβη θερμίστορ θερμοκρασίας μπόιλερ (THWB1)	Ελέγξτε την αντίσταση κατά μήκος του θερμίστορ.
LE	Σφάλμα λειτουργίας μπόιλερ	Δείτε Ενέργεια για L8. Ελέγξτε την κατάσταση του μπόιλερ.
LF	Βλάβη αισθητήρα ροής	Ελέγξτε το καλώδιο αισθητήρα ροής για βλάβη ή χαλαρές συνδέσεις.
LH	Προστασία παγώματος της κυκλοφορίας νερού μπόιλερ	Ο ρυθμός ροής του κυκλώματος θέρμανσης από το μπόιλερ ενδέχεται να μειωθεί. Έλεγχος για <ul style="list-style-type: none"> • διαρροή νερού • έμφραξη φίλτρου • λειτουργία αντλίας κυκλοφορίας νερού.
LJ	Σφάλμα λειτουργίας DHW (τύπος εξωτερικής πλάκας HEX)	<ul style="list-style-type: none"> • Ελέγξτε για αποσύνδεση του θερμίστορ χαμηλότερης θερμ. νερού της δεξαμενής DHW (THW5B). • Ο ρυθμός ροής του κυκλώματος οικιακής χρήσης ενδέχεται να μειωθεί. • Ελέγξτε τη λειτουργία αντλίας κυκλοφορίας νερού. (πρωτεύον / οικιακής χρήσης)
LL	Ορισμός σφαλμάτων των διακοπών DIP στον πίνακα ελέγχου FTC	Για τη λειτουργία μπόιλερ, ελέγξτε αν ο διακόπτης DIP SW1-1 έχει οριστεί σε ΕΝΕΡΓΟΠΟΙΗΣΗ (Με μπόιλερ) και ο διακόπτης DIP SW2-6 έχει οριστεί σε ΕΝΕΡΓΟΠΟΙΗΣΗ (Με δεξαμενή ανάμειξης). Για τον έλεγχο θερμοκρασίας 2 ζωνών, ελέγξτε αν ο διακόπτης DIP SW2-7 έχει οριστεί σε ΕΝΕΡΓΟΠΟΙΗΣΗ (2 ζωνών) και ο διακόπτης DIP SW2-6 έχει οριστεί σε ΕΝΕΡΓΟΠΟΙΗΣΗ (Με δεξαμενή ανάμειξης).
LP	Εύρος ρυθμού ροής έλλειψης νερού για αντλία θερμότητας εξωτερικής μονάδας	Ελέγξτε τον Πίνακα εγκατάστασης 4.3.1 Ελέγξτε τις ρυθμίσεις τηλεχειριστηρίου (Μενού Σέρβις / εύρος ρυθμού ροής αντλίας θερμότητας) Δείτε Ενέργεια για L3.
P1	Θερμίστορ (Θερμ. δωματίου) (TH1) βλάβη	Ελέγξτε την αντίσταση κατά μήκος του θερμίστορ.
P2	Θερμίστορ (Αναφ. θερμ. υγρού) (TH2) βλάβη	Ελέγξτε την αντίσταση κατά μήκος του θερμίστορ.
P6	Αντιψυκτική προστασία του πλακοειδή εναλλάκτη θέρμανσης	Δείτε Ενέργεια για L3. Ελέγξτε για τη σωστή ποσότητα ψυκτικού.
J0	Βλάβη επικοινωνίας μεταξύ του FTC και του ασύρματου δέκτη	Ελέγξτε το καλώδιο σύνδεσης για βλάβη ή χαλαρές συνδέσεις.
J1 - J8	Βλάβη επικοινωνίας μεταξύ του ασύρματου δέκτη και του ασύρματου τηλεχειριστηρίου	Ελέγξτε ότι η μπαταρία του ασύρματου τηλεχειριστηρίου δεν είναι επίπεδη. Ελέγξτε τη ζεύξη μεταξύ του ασύρματου δέκτη και του ασύρματου τηλεχειριστηρίου. Δοκιμάστε την ασύρματη επικοινωνία. (Βλέπε το εγχειρίδιο ασύρματου συστήματος)
E0 - E5	Βλάβη επικοινωνίας μεταξύ του κύριου τηλεχειριστηρίου και FTC	Ελέγξτε το καλώδιο σύνδεσης για βλάβη ή χαλαρές συνδέσεις.
E6 - EF	Βλάβη επικοινωνίας μεταξύ του FTC και της εξωτερικής μονάδας	Ελέγξτε ότι η εξωτερική μονάδα δεν έχει απενεργοποιηθεί. Ελέγξτε το καλώδιο σύνδεσης για βλάβη ή χαλαρές συνδέσεις. Ανατρέξτε στο εγχειρίδιο σέρβις εξωτερικής μονάδας.
E9	Η εξωτερική μονάδα δεν λαμβάνει κανένα σήμα από την εσωτερική μονάδα.	Ελέγξτε ότι και οι δύο μονάδες είναι ενεργοποιημένες. Ελέγξτε το καλώδιο σύνδεσης για βλάβη ή χαλαρές συνδέσεις. Ανατρέξτε στο εγχειρίδιο σέρβις εξωτερικής μονάδας.
EE	Σφάλμα συνδυασμού μεταξύ του FTC και της εξωτερικής μονάδας	Ελέγξτε το συνδυασμό του FTC και της εξωτερικής μονάδας.
U*, F*	Βλάβη εξωτερικής μονάδας	Ανατρέξτε στο εγχειρίδιο σέρβις εξωτερικής μονάδας.
A*	Σφάλμα επικοινωνίας M-NET	Ανατρέξτε στο εγχειρίδιο σέρβις εξωτερικής μονάδας.

Σημείωση: Για ακύρωση των κωδικών σφαλμάτων, παρακαλούμε απενεργοποιήστε το σύστημα (Πατήστε το κουμπί F4 (ΕΠΑΝΑΦΟΡΑ) στο κύριο τηλεχειριστήριο).

7 Σέρβις και συντήρηση

■ Ετήσια συντήρηση

Είναι βασικό να γίνεται σέρβις στη μονάδα κυλίνδρου τουλάχιστον μια φορά το χρόνο από ειδικευμένο άτομο. Τυχόν απαιτούμενα μέρη θα πρέπει να αγοράζονται από την Mitsubishi Electric. ΠΟΤΕ μην παρακάμψετε τις συσκευές ασφαλείας ή θέτετε σε λειτουργία τη μονάδα χωρίς να είναι πλήρως λειτουργικές. Για περισσότερες λεπτομέρειες, ανατρέξτε στο εγχειρίδιο σέρβις.

Σημείωση

- Κατά τους πρώτους μήνες εγκατάστασης, αφαιρέστε και καθαρίστε το φίλτρο της μονάδας κυλίνδρου συν τυχόν πρόσθετα στοιχεία φίλτρου που τοποθετούνται εξωτερικά στην μονάδα κυλίνδρου. Αυτό είναι ιδιαίτερα σημαντικό όταν εγκαθιστάτε ένα παλιό/υπάρχον σύστημα σωλήνωσης.
- Η βαλβίδα PRV και η βαλβίδα T&P (Αρ. 8, 20 και 21 στην Εικόνα 3.1) θα πρέπει να ελέγχονται ετησίως στρίβοντας χειροκίνητα το χερούλι ώστε το μέσο να εκκενώνεται, καθαρίζοντας τη θέση σφράγισης.

Εκτός από το ετήσιο σέρβις, είναι απαραίτητο να αντικαθιστάτε ή επιθεωρείτε μερικά μέρη μετά από μια συγκεκριμένη περίοδο λειτουργίας του συστήματος. Παρακαλούμε δείτε τους πίνακες παρακάτω για λεπτομερείς οδηγίες. Η αντικατάσταση και επιθεώρηση μερών θα πρέπει να γίνεται πάντα από αρμόδιο άτομο με σχετική εκπαίδευση και προσόντα.

Μέρη που απαιτούν τακτική αντικατάσταση

Μέρη	Αντικαταστήστε κάθε	Πιθανές βλάβες
Βαλβίδα εκτόνωσης πίεσης (PRV) Μανόμετρο Ομάδα ελέγχου εισόδου (ICG)*	6 έτη	Διαρροή νερού

* ΠΡΟΑΙΡΕΤΙΚΑ ΜΕΡΗ για το Ηνωμένο Βασίλειο

Μέρη που απαιτούν τακτική επιθεώρηση

Μέρη	Ελέγξτε κάθε	Πιθανές βλάβες
Βαλβίδα εκτόνωσης πίεσης (3bar) Θερμοκρασία και βαλβίδα εκτόνωσης πίεσης	1 έτος (στρίψτε το χερούλι χειροκίνητα)	Μπορεί να έχει τοποθετηθεί PRV και το δοχείο διαστολής μπορεί να εκραγεί
Θερμαντήρας εμβάπτισης	2 έτη	Διαρροή γείωσης που προκαλεί την ενεργοποίηση του διακόπτη (Ο θερμαντήρας είναι πάντα στη θέση ΑΠΕΝΕΡΓΟΠΟΙΗΣΗ)
Αντλία κυκλοφορίας νερού (Πρωτεύον κύκλωμα)	20.000 ώρες (3 έτη)	Βλάβη αντλίας κυκλοφορίας νερού

Μέρη που ΔΕΝ πρέπει να επαναχρησιμοποιηθούν κατά το σέρβις

- * Δακτύλιος σχήματος O
- * Στεγανωτική φλάντζα

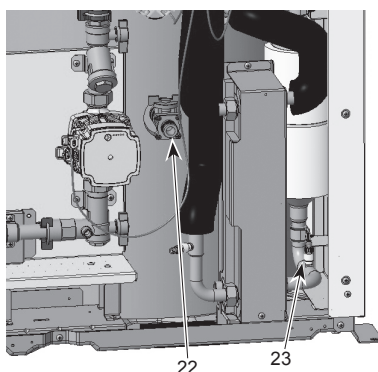
Σημείωση:

- Πάντα να αντικαθιστάτε τη στεγανωτική φλάντζα για την αντλία με μια νέα σε κάθε τακτική συντήρηση (κάθε 20.000 ώρες χρήσης ή κάθε 3 χρόνια).

<Αποστράγγιση της μονάδας κυλίνδρου και του κυκλώματος θέρμανσης οικιακής χρήσης (τοπικά)>

ΠΡΟΕΙΔΟΠΟΙΗΣΗ: ΤΟ ΝΕΡΟ ΑΠΟΣΤΡΑΓΓΙΣΗΣ ΕΝΔΕΧΕΤΑΙ ΝΑ ΕΙΝΑΙ ΚΑΥΤΟ

- Πριν επιχειρήσετε την αποστράγγιση της μονάδας κυλίνδρου, απομονώστε τη από την παροχή ρεύματος για την αποφυγή βλάβης του θερμαντήρα εμβάπτισης και του ενισχυτικού θερμαντήρα.
- Απομονώστε την τροφοδοσία κρύου νερού στη δεξαμενή DHW.
- Ανοίξτε μια κάνουλα ζεστού νερού για να επιτρέψετε την αποστράγγιση χωρίς τη δημιουργία κενού.
- Συνδέστε ένα σωλήνα στα στόμια εκκένωσης της δεξαμενής DHW (Αρ. 22 και 23 στην Εικόνα 7.1). Ο σωλήνας θα πρέπει να μπορεί να αντέξει τη θερμότητα καθώς το αποστραγγιζόμενο νερό μπορεί να είναι πολύ ζεστό. Ο σωλήνας θα πρέπει να κάνει αποστράγγιση σε σημείο χαμηλότερο από τον πάτο της δεξαμενής DHW για εύκολη μετάγγιση. Ξεκινήστε την αποστράγγιση ανοίγοντας το στόμιο εκκένωσης.
- Όταν η δεξαμενή DHW αποστραγγιστεί, κλείστε το στόμιο εκκένωσης και την κάνουλα ζεστού νερού.
- Για το πρωτεύον κύκλωμα, συνδέστε το σωλήνα στα στόμια εκκένωσης του κυκλώματος νερού (Αρ. 6 στην Εικόνα 3.1). Ο σωλήνας θα πρέπει να μπορεί να αντέξει τη θερμότητα καθώς το αποστραγγιζόμενο νερό μπορεί να είναι πολύ ζεστό. Ο σωλήνας θα πρέπει να κάνει αποστράγγιση σε σημείο χαμηλότερο από το στόμιο εκκένωσης για εύκολη μετάγγιση. Ανοίξτε τις βαλβίδες αντλίας και τις βαλβίδες φίλτρου.
- Το νερό παραμένει στο φίλτρο ακόμη και μετά την αποστράγγιση της μονάδας κυλίνδρου.
Αποστραγγίστε το φίλτρο αφαιρώντας το κάλυμμα φίλτρου.



<Εικόνα 7.1>

7 Σέρβις και συντήρηση

■ Φόρμες μηχανικών

Αν οι ρυθμίσεις αλλάξουν από προεπιλεγμένες, παρακαλούμε εισάγετε και καταγράψτε νέα ρύθμιση στη στήλη 'Ρύθμιση πεδίου'. Αυτό θα διευκολύνει την επαναφορά στο μέλλον, αν αλλάξει η χρήση του συστήματος ή αν ο πίνακας του κυκλώματος χρειαστεί να αντικατασταθεί.

Φύλλο καταγραφής ρυθμίσεων Ανάθεσης/Πεδίου

Οθόνη κύριο τηλεχειριστήριο		Παράμετροι	Προεπιλεγμένη ρύθμιση	Ρύθμιση πεδίου	Σημειώσεις		
Κύριο		Θερμ. θέρμανσης δωματίου Ζώνη 1	10°C - 30°C	20°C			
		Θερμ. θέρμανσης δωματίου Ζώνη 2 *12	10°C - 30°C	20°C			
		Θερμ. ροής θέρμανσης Ζώνη 1	20°C - 60°C	45°C			
		Θερμ. ροής θέρμανσης Ζώνη 2 *1	20°C - 60°C	35°C			
		Θερμ. ροής ψύξης Ζώνη 1 *13	5°C - 25°C	15°C			
		Θερμ. ροής ψύξης Ζώνη 2 *13	5°C - 25°C	20°C			
		Καμπύλη αντιστάθμισης θέρμανσης Ζώνη 1	-9°C - + 9°C	0°C			
		Καμπύλη αντιστάθμισης θέρμανσης Ζώνη 2 *1	-9°C - + 9°C	0°C			
		Λειτουργία διακοπών	Ενεργή/Μη ενεργή/Ορισμός ώρας	—			
		Αναγκαστική λειτουργία DHW	Ενεργοποίηση/Απενεργοποίηση	—			
Επιλογή		DHW	Ενεργοποίηση/Απενεργοποίηση/Χρονοδιακόπτης	Ενεργοποίηση			
		Θέρμανση/Ψύξη *13	Ενεργοποίηση/Απενεργοποίηση/Χρονοδιακόπτης	Ενεργοποίηση			
		Παρακολούθηση ενέργειας	Ηλεκτρική ενέργεια που έχει καταναλωθεί/Ενέργεια που έχει παραδοθεί	—			
Ρύθμιση	DHW	Λειτουργία	Κανονική/Οικονομική *15	Κανονική			
		Μέγ. θερμ. DHW	40°C - 60°C *2	50°C			
		Πτώση θερμ. DHW	5°C - 30°C	10°C			
		Μέγ. χρόνος λειτουργίας DHW	30 - 120 min	60 min			
		Περιορισμός λειτουργίας DHW	30 - 120 min	30 min			
		Επαναφόρτιση DHW	Μεγάλη/Πρότυπη	Πρότυπη			
		Αποτροπή Λεγεωνέλλας	Ενεργός	Ναι/Όχι	Ναι		
			Θερμ. ζεστού νερού	60°C - 70°C *2	65°C		
			Συχνότητα	1 - 30 ημέρες	15 ημέρες		
			Ωρα έναρξης	00:00 - 23:00	03:00		
	Μέγ. χρόνος λειτουργίας		1 - 5 ώρες	3 ώρες			
	Διάρκεια μέγιστης θερμ.		1 - 120 min	30 min			
	Θέρμανση/Ψύξη *13	Λειτουργία Ζώνη 1	Θερμ. θέρμανσης δωματίου/ Θερμ. ροής θέρμανσης/ Καμπύλη αντιστάθμισης θέρμανσης/Θερμ. ροής ψύξης	Θερμ. δωματίου			
		Λειτουργία Ζώνη 2 *1	Θερμ. θέρμανσης δωματίου/ Θερμ. ροής θέρμανσης/ Καμπύλη αντιστάθμισης θέρμανσης/Θερμ. ροής ψύξης	Καμπύλη αντιστάθμισης			
	Καμπύλη αντιστάθμισης	Καθοριστικό σημείο υψ. θερμ. ροής	Εξωτερική θερμ. περιβάλλοντος Ζώνη 1	-30°C - +33°C *3	-15°C		
			Θερμ. ροής Ζώνη 1	20°C - 60°C	50°C		
			Εξωτερική θερμ. περιβάλλοντος Ζώνη 2 *1	-30°C - +33°C *3	-15°C		
			Θερμ. ροής Ζώνη 2 *1	20°C - 60°C	40°C		
		Καθοριστικό σημείο χαμ. θερμ. ροής	Εξωτερική θερμ. περιβάλλοντος Ζώνη 1	-28°C - +35°C *4	35°C		
			Θερμ. ροής Ζώνη 1	20°C - 60°C	25°C		
			Εξωτερική θερμ. περιβάλλοντος Ζώνη 2 *1	-28°C - +35°C *4	35°C		
			Θερμ. ροής Ζώνη 2 *1	20°C - 60°C	25°C		
		Προσαρμογή	Εξωτερική θερμ. περιβάλλοντος Ζώνη 1	-29°C - +34°C *5	—		
			Θερμ. ροής Ζώνη 1	20°C - 60°C	—		
	Διακοπές		DHW	Ενεργό/Μη ενεργό	Μη ενεργό		
			Θέρμανση/Ψύξη *13	Ενεργό/Μη ενεργό	Ενεργός		
			Θερμ. θέρμανσης δωματίου Ζώνη 1	10°C - 30°C	15°C		
Θερμ. θέρμανσης δωματίου Ζώνη 2 *12			10°C - 30°C	15°C			
Θερμ. ροής θέρμανσης Ζώνη 1			20°C - 60°C	35°C			
Θερμ. ροής θέρμανσης Ζώνη 2 *1			20°C - 60°C	25°C			
Θερμ. ροής ψύξης Ζώνη 1 *13			5°C - 25°C	25°C			
Θερμ. ροής ψύξης Ζώνη 2 *13			5°C - 25°C	25°C			
Αρχικές ρυθμίσεις				Γλώσσα	EN/FR/DE/SV/ES/IT/DA/NL/FI/NO/PT/BG/PL/CZ/RU/TR/SL	EN	
				°C/°F	°C/°F	°C	
	Θερμική ώρα	Ενεργοποίηση/Απενεργοποίηση		Απενεργοποίηση			
	Εμφάνιση θερμ.	Δωμάτιο/Δεξαμενή DHW/Δωμάτιο και δεξαμενή DHW/Απενεργοποίηση		Απενεργοποίηση			
	Εμφάνιση ώρας	ωω:λλ/ωω:λλ ΠΜ/ΠΜ ωω:λλ		ωω:λλ			
	Ρυθμίσεις αισθητήρα δωματίου για Ζώνη 1	TH1/Κύριο τηλεχειριστήριο/Τηλεχειριστήριο δωματίου 1-8/"Time/Zone" (Ωρα/Ζώνη)		TH1			
	Ρυθμίσεις αισθητήρα δωματίου για Ζώνη 2 *1	TH1/Κύριο τηλεχειριστήριο/Τηλεχειριστήριο δωματίου 1-8/"Time/Zone" (Ωρα/Ζώνη)		TH1			
	Επιλέξτε ζώνη τηλεχειρισμού δωματίου *1	Ζώνη 1/Ζώνη 2		Ζώνη 1			
	Μενού Σέρβις	Προσαρμογή θερμίστορ		THW1	-10°C - +10°C	0°C	
				THW2	-10°C - +10°C	0°C	
THW5A			-10°C - +10°C	0°C			
THW5B			-10°C - +10°C	0°C			
THW6			-10°C - +10°C	0°C			
THW7			-10°C - +10°C	0°C			
THW8			-10°C - +10°C	0°C			
THW9			-10°C - +10°C	0°C			
THW10			-10°C - +10°C	0°C			
THWB1			-10°C - +10°C	0°C			
Βοηθητικές ρυθμίσεις		Ρυθμίσεις οικονομίας για την αντία.	Ενεργοποίηση/Απενεργοποίηση *6	Ενεργοποίηση	Ενεργοποίηση		
			Καθυστέρηση (3 - 60 min)	10 min			
		Ηλεκτρικός θερμαντήρας (Θέρμανση)	Θέρμανση χώρου: Ενεργοποίηση (χρησιμοποιείται)/ Απενεργοποίηση (δεν χρησιμοποιείται)	Ενεργοποίηση			
			Χρονοδιακόπτης καθυστέρησης ηλεκτρικού θερμαντήρα (5 - 180 min)	30 min			
		Ηλεκτρικός θερμαντήρας (DHW)	Ενισχυτικός θερμαντήρας	DHW: Ενεργοποίηση (χρησιμοποιείται)/Απενεργοποίηση (δεν χρησιμοποιείται)	Ενεργοποίηση		
			Θερμαντήρας εμβάπτισης	DHW: Ενεργοποίηση (χρησιμοποιείται)/Απενεργοποίηση (δεν χρησιμοποιείται)	Ενεργοποίηση		
		Χρονοδιακόπτης καθυστέρησης ηλεκτρικού θερμαντήρα (15 - 30 min)	15 min				
Έλεγχος βαλβίδας ανάμειξης	Σε λειτουργία (10 - 240 δευτ.)	120 δευτ					
Αισθητήρας ροής *17	Διάστημα (1 - 30 min)	2 min					
	Ελάχιστο(0 - 100 L/min)	5 L/min					
	Μέγιστο(0 - 100 L/min)	100 L/min					
Αναλογική έξοδος	Διάστημα (1 - 30 min)	5 min					
	Προτεραιότητα (Κανονική/Υψηλή)	Κανονική					

(Συνέχεια στην επόμενη σελίδα.)

7 Σέρβις και συντήρηση

■ Φόρμες μηχανικών

Φύλλο καταγραφής ρυθμίσεων Ανάθεσης/Πεδίου (συνέχεια από την προηγούμενη σελίδα)

Οθόνη κύριο τηλεχειριστήριο			Παράμετροι	Προεπιλεγμένη ρύθμιση	Ρύθμιση πεδίου	Σημειώσεις	
Ρύθμιση	Μενού σέρβις	Ταχύτητα αντλίας	DHW Θέρμανση/Ψύξη	Ταχύτητα αντλίας(1 - 5) Ταχύτητα αντλίας(1 - 5)	5 5		
		Ρύθμιση πηγής θερμότητας		Πρότυπη/Θερμαντήρας/Μπόιλερ/Υβριδικό *7	Πρότυπη		
		Ρύθμιση αντλίας θερμότητας	Εύρος ρυθμού ροής της αντλίας θερμότητας	Ελάχιστο(0 - 100 L/min) Μέγιστο(0 - 100 L/min)	5 L/min 100 L/min		
			Αθόρυβη λειτουργία	Ημέρα (Δευ - Κυρ) Ώρα Αθόρυβο επίπεδο (Κανονική/Επίπεδο1/Επίπεδο2)	— 0:00 - 23:45 Κανονική		
		Ρυθμίσεις λειτουργίας	Λειτουργία θέρμανσης *8	Εύρος θερμ. ροής *10 Έλεγχος θερμ. δωματίου *14 Προσαρμογή διαφορά θερμοστάτη αντλίας θερμότητας	Ελάχιστη θερμ.(20 - 45°C) Μέγιστη θερμ.(35 - 60°C) Λειτουργία(Κανονική/Γρήγορη) Διάστημα(10 - 60min)	30°C 50°C Κανονική 10min	
			Λειτουργία προστασίας παγώματος *11	Εξωτερική θερμ. περιβάλλοντος (3 - 20°C) / **	5°C		
			Παράλληλη λειτουργία (DHW/Θέρμανση)	Ενεργοποίηση/Απενεργοποίηση *6	Απενεργοποίηση		
			Λειτουργία κρύου καιρού	Εξωτερική θερμ. περιβάλλοντος (-30 - +10°C) *3	-15°C		
			Λειτουργία μπόιλερ	Εξωτερική θερμ. περιβάλλοντος (-30 - -10°C) *3	-15°C		
				Εξωτερική θερμ. περιβάλλοντος (-30 - +10°C) *3	-15°C		
				Λειτουργία προτεραιότητας (Θερμοκρασία περιβάλλοντος/ Κόστος/CO ₂) *16	Θερμοκρασία περιβάλλοντος		
				Αύξηση εξωτερικής θερμ. περιβάλλοντος (+1 - +5°C)	+3°C		
			Εξυπνες ρυθμίσεις	Τιμή ενέργειας *9	Ηλεκτρισμός (0,001 - 999 */kWh) Μπόιλερ (0,001 - 999 */kWh)	0,5 */kWh 0,5 */kWh	
				Εκπομπή CO ₂	Ηλεκτρισμός (0,001 - 999 kg -CO ₂ / kWh) Μπόιλερ (0,001 - 999 kg -CO ₂ / kWh)	0,5 kg -CO ₂ / kWh 0,5 kg -CO ₂ / kWh	
				Πηγή θερμότητας	Ισχύς αντλίας θερμότητας (1 - 40 kW) Αποδοτικότητα μπόιλερ (25 - 150%) Ισχύς ενισχυτικού θερμαντήρα 1 (0 - 30 kW) Ισχύς ενισχυτικού θερμαντήρα 2 (0 - 30 kW)	11,2 kW 80% 2 kW 4 kW	
			Εξυπνο δίκτυο	DHW	Ενεργοποίηση/Απενεργοποίηση Επιθυμητή θερμ.(+1- +20°C) / -- (Μη ενεργός)	Απενεργοποίηση --	
				Θέρμανση	Ενεργοποίηση/Απενεργοποίηση Επιθυμητή θερμ. Πρόταση ενεργοποίησης (20 - 60°C) Εντολή ενεργοποίησης(20 - 60°C)	Απενεργοποίηση 50°C 55°C	
				Ψύξη	Ενεργοποίηση/Απενεργοποίηση Επιθυμητή θερμ. Πρόταση ενεργοποίησης (5 - 25°C) Εντολή ενεργοποίησης(5 - 25°C)	Απενεργοποίηση 15°C 10°C	
				Κύκλοι λειτουργίας αντλίας	Θέρμανση (Ενεργοποίηση/Απενεργοποίηση) Ψύξη (Ενεργοποίηση/Απενεργοποίηση) Διάστημα (10-120 min)	Ενεργοποίηση Ενεργοποίηση 10 min	
			Λειτουργία στεγνώματος δαπέδου		Ενεργοποίηση/Απενεργοποίηση *6 Επιθυμητή θερμ. Έναρξη και ολοκλήρωση (20 - 60°C) Μέγ. θερμ. (20 - 60°C) Περίοδος μέγ. θερμ. (1 - 20 ημέρες)	Απενεργοποίηση 30°C 45°C 5 ημέρες	
				Θερμ. ροής (Αύξηση)	Βήμα αύξησης θερμ. (+1 - +10°C) Διάστημα αύξησης (1 - 7 ημέρες)	+5°C 2 ημέρες	
				Θερμ. ροής (Μείωση)	Βήμα μείωσης θερμ. (-1 - -10°C) Διάστημα μείωσης (1 - 7 ημέρες)	-5°C 2 ημέρες	
			Θερμική λειτουργία		Ενεργοποίηση/Απενεργοποίηση Εξωτερική θερμ. περιβάλλοντος Θέρμανση ΕΝΕΡΓΟΠΟΙΗΣΗ (4-19°C) Θέρμανση ΑΠΕΝΕΡΓΟΠΟΙΗΣΗ (5-20°C) Ώρα εκτίμησης Θέρμανση ΕΝΕΡΓΟΠΟΙΗΣΗ (1-48 ώρες) Θέρμανση ΑΠΕΝΕΡΓΟΠΟΙΗΣΗ (1-48 ώρες) Αναγκαστική θέρμανση ΕΝΕΡΓΟΠΟΙΗΣΗ (-30 - 10°C)	Απενεργοποίηση 10°C 15°C 6 ώρες 6 ώρες 5°C	
			Έλεγχος ροής νερού		Ενεργοποίηση/Απενεργοποίηση	Απενεργοποίηση	

(Συνέχεια στην επόμενη σελίδα.)

7 Σέρβις και συντήρηση

■ Φόρμες μηχανικών

Φύλλο καταγραφής ρυθμίσεων Ανάθεσης/Πεδίου (συνέχεια από την προηγούμενη σελίδα)

Οθόνη κύριο τηλεχειριστήριο			Παράμετροι		Προεπιλεγμένη ρύθμιση	Ρύθμιση πεδίου	Σημειώσεις
Μενού σέρβις	Ρυθμίσεις παρακολούθησης ενέργειας	Ισχύς ηλεκτρικού θερμαντήρα	Ισχύς ενισχυτικού θερμαντήρα 1	0 - 30 kW	2 kW		
			Ισχύς ενισχυτικού θερμαντήρα 2	0 - 30 kW	4 kW		
			Ισχύς θερμαντήρα εμβάπτισης	0 - 30 kW	0 kW		
			Αναλογική έξοδος	0 - 30 kW	0 kW		
		Προσαρμογή ενέργειας που παραδόθηκε		-50 - +50%	0%		
		Είσοδος αντλίας νερού	Αντλία 1	0 - 200 W ή *** (αντλία τοποθετημένη από το εργοστάσιο)	***		
			Αντλία 2	0 - 200W	0 W		
			Αντλία 3	0 - 200W	0 W		
			Αντλία 4	0 - 200W	72 W		
		Μέτρο ηλεκτρικής ενέργειας		0,1/1/10/100/1000 παλμός/kWh	1 παλμός/kWh		
	Μέτρο θερμότητας		0,1/1/10/100/1000 παλμός/kWh	1 παλμός/kWh			
	Ρυθμίσεις εξωτερικής εισόδου	Έλεγχος ζήτησης (IN4)	ΑΠΕΝΕΡΓΟΠΟΙΗΣΗ πηγής θερμότητας/Λειτουργία μπόιλερ	Λειτουργία μπόιλερ			
		Εξωτερικός θερμοστάτης (IN5)	Λειτουργία θερμαντήρα/Λειτουργία μπόιλερ	Λειτουργία μπόιλερ			
		ΕΝΕΡΓΟΠΟΙΗΣΗ εξόδου θερμοστάτη	Ζώνη 1/Ζώνη 2/Ζώνη 1&2	Ζώνη 1&2			

*1 Οι ρυθμίσεις που αφορούν τη Ζώνη 2 μπορούν να αλλάξουν μόνο όταν είναι ενεργοποιημένος ο έλεγχος θερμοκρασίας 2 ζωνών (όταν οι διακόπτες DIP SW2-6 και SW2-7 είναι στη θέση ΕΝΕΡΓΟΠΟΙΗΣΗ).

*2 Για το μοντέλο χωρίς ενισχυτικό θερμαντήρα και θερμαντήρα εμβάπτισης, ενδέχεται να μην φτάσει στην καθορισμένη θερμοκρασία ανάλογα με την εξωτερική θερμοκρασία περιβάλλοντος.

*3 Το χαμηλότερο όριο είναι -15°C ανάλογα με τη συνδεδεμένη εξωτερική μονάδα.

*4 Το χαμηλότερο όριο είναι -13°C ανάλογα με τη συνδεδεμένη εξωτερική μονάδα.

*5 Το χαμηλότερο όριο είναι -14°C ανάλογα με τη συνδεδεμένη εξωτερική μονάδα.

*6 Ενεργοποίηση: η λειτουργία είναι ενεργή· Απενεργοποίηση: η λειτουργία είναι ανενεργή.

*7 Όταν ο διακόπτης DIP SW1-1 έχει οριστεί στη θέση ΑΠΕΝΕΡΓΟΠΟΙΗΣΗ "ΧΩΡΙΣ μπόιλερ" ή ο διακόπτης SW2-6 έχει οριστεί στη θέση ΑΠΕΝΕΡΓΟΠΟΙΗΣΗ "ΧΩΡΙΣ δεξαμενή ανάμειξης", δεν μπορεί να επιλεγεί ούτε το Μπόιλερ αλλά ούτε το Υβριδικό.

*8 Ισχύει μόνο όταν είναι σε λειτουργία με ενεργή τη λειτουργία Ελέγχου θερμ. δωματίου.

*9 "kW" αναπαριστά τη μονάδα ρεύματος(π.χ. € ή £ ή παρόμοια)

*10 Ισχύει μόνο όταν είναι σε λειτουργία σε θερμοκρασία Θέρμανσης δωματίου.

*11 Αν επιλεγεί ο αστερίσκος (**) τότε η λειτουργία προστασίας παγωματος απενεργοποιείται. (λ.χ. πρωτεύον κίνδυνος παγωματος νερού)

*12 Οι ρυθμίσεις που αφορούν τη Ζώνη 2 μπορούν να αλλάξουν μόνο όταν είναι ενεργοποιημένος ο έλεγχος θερμοκρασίας στη Ζώνη 2 ή αν ο έλεγχος βαλβίδας 2 ζωνών ΕΝΕΡΓΟΠΟΙΗΣΗ/ΑΠΕΝΕΡΓΟΠΟΙΗΣΗ είναι ενεργός.

*13 Οι ρυθμίσεις της λειτουργίας ψύξης είναι διαθέσιμες μόνο για το μοντέλο ER.

*14 Όταν ο διακόπτης DIP SW5-2 έχει οριστεί στη θέση ΑΠΕΝΕΡΓΟΠΟΙΗΣΗ, τότε η λειτουργία είναι ενεργή.

*15 Όταν η μονάδα κυλίνδρου είναι συνδεδεμένη με μια εξωτερική μονάδα PUMY-P, τότε η λειτουργία ορίζεται σε "Normal" (Κανονική).

*16 Όταν η μονάδα κυλίνδρου είναι συνδεδεμένη με μια εξωτερική μονάδα PUMY-P, τότε η λειτουργία ορίζεται σε "Ambient" (Θερμοκρασία περιβάλλοντος).

*17 Μην αλλάζετε τη ρύθμιση εφόσον έχει οριστεί σύμφωνα με την προδιαγραφή του αισθητήρα ροής που είναι συνδεδεμένος στην μονάδα κυλίνδρου.

1. Medidas de precaução	2
2. Introdução	3
3. Informação técnica.....	4
4. Instalação	10
4.1 Localização.....	10
4.2 Qualidade da água e preparação do sistema.....	11
4.3 Tubagem de água.....	11
4.4 Ligação eléctrica.....	14
5. Preparação do sistema	16
5.1 Funções dos micro-comutadores DIP	16
5.2 Ligação das entradas/saídas	17
5.3 Cablagem para controlo da temperatura de 2 zonas	18
5.4 Funcionamento apenas da unidade interior (durante trabalhos de instalação)	19
5.5 Smart grid ready	19
5.6 Utilização do cartão de memória SD.....	19
5.7 Controlador principal	20
6. Arranque.....	26
7. Assistência técnica e manutenção	27

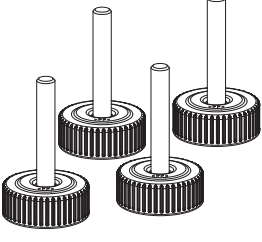
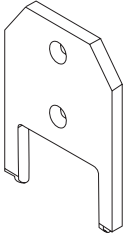
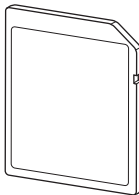
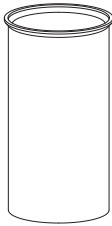


<http://www.mitsubishielectric.com/ldg/ibim/>

Se pretender mais informações que não estão escritas neste manual, aceda ao website acima para transferir manuais, seleccione o nome do modelo e, de seguida, escolha a língua.

Conteúdo do manual do website

- Monitor de energia
- Componentes (pormenor)
- Diagrama do circuito de água (170 L)
- Termóstato do espaço
- Enchimento do sistema
- Sistema simples de 2 zonas
- Fonte de alimentação eléctrica independente
- Smart grid ready
- Opções do controlador remoto
- Menu Manutenção (definição especial)
- Informações suplementares

Acessórios (incluídos)			
Pés ajustáveis	Ferramenta do corpo da resistência de imersão Apenas modelo EHPT20X-MHEDW	Cartão de memória SD	Revestimento de cobre para tubo de AQS
			
4	1	1	2

Abreviaturas e glossário

N.º	Abreviatura/termo	Descrição
1	Modo da curva de compensação	Aquecimento de espaços incorporando compensação da temperatura exterior
2	COP	Coefficient of Performance - coeficiente de desempenho de eficiência da bomba de calor
3	Cilindro	Depósito de AQS, fechado, interior e respectivas tubagens
4	Modo AQS	Modo de aquecimento de águas quentes sanitárias (AQS) para chuveiros, lava-louças, etc.
5	Temperatura do caudal	Temperatura a que a água é fornecida ao circuito primário
6	Estado função descongelação	Aquecimento para impedir que os tubos de água congelem
7	FTC	Flow temperature controller - controlador da temperatura do caudal, a placa de circuito impresso que controla o sistema
8	Modo de aquecimento	Aquecimento de espaços através de radiadores ou de Aquecimento por pavimento radiante
9	Legionela	Bactéria potencialmente encontrada nas tubagens, chuveiros e depósitos de água, que pode causar a doença do legionário
10	Modo PL	Modo prevenção legionela – uma função disponível em sistemas que integram depósitos, destinada a impedir o desenvolvimento de bactéria legionela
11	Modelo compacto	Permutador de calor de placas (refrigerante - água) montado na unidade exterior da bomba de calor
12	PRV	Pressure relief valve - válvula de descarga de pressão
13	Temperatura de retorno	Temperatura a que a água é fornecida a partir do circuito primário
14	Modelo Split	Permutador de calor de placas (refrigerante - água) montado na unidade interior
15	VTR	Thermostatic radiator valve – válvula termostática de radiador: uma válvula instalada à entrada ou saída do painel radiador, que controla a produção de calor
16	Modo de arrefecimento	Arrefecimento de espaços através de bobinas de ventoinha ou de arrefecimento por pavimento radiante

1 Medidas de precaução

Leia as seguintes precauções de segurança com atenção.

AVISO:
Precauções que têm de ser observadas para impedir lesões ou morte.

CUIDADO:
Precauções que têm de ser observadas para impedir danos na unidade.

Este manual de instalação, juntamente com o manual do utilizador, deve ser colocado junto do produto após a instalação para futura consulta.
A Mitsubishi Electric não é responsável pela falha de peças fornecidas localmente.

- Certifique-se de que realiza a manutenção periódica.
- Certifique-se de que segue os regulamentos locais.
- Certifique-se de que segue as indicações fornecidas neste manual.

SIGNIFICADO DOS SÍMBOLOS APRESENTADOS NA UNIDADE

	AVISO (Risco de incêndio)	Este símbolo destina-se apenas ao refrigerante R32. O tipo de refrigerante está indicado na placa de identificação da unidade exterior. Se o tipo de refrigerante for o R32, esta unidade utiliza um refrigerante inflamável. Se ocorrer uma fuga de refrigerante e este entrar em contacto com fogo ou uma peça de aquecimento, irá criar um gás nocivo e existe o risco de incêndio.
		Leia atentamente o MANUAL DE OPERAÇÃO antes da utilização.
		É necessário que o pessoal de assistência técnica leia atentamente o MANUAL DE OPERAÇÃO e o MANUAL DE INSTALAÇÃO antes da utilização.
		Estão disponíveis mais informações no MANUAL DE OPERAÇÃO, MANUAL DE INSTALAÇÃO e documentação semelhante.

AVISO

Elementos mecânicos

- O cilindro e a unidade exterior não devem ser instalados, desmontados, recolocados, alterados ou reparados pelo utilizador. Pergunte a um instalador ou técnico de reparação autorizado. Se a unidade for instalada incorretamente ou modificada após a instalação, poderão ocorrer fugas de água, choques elétricos ou um incêndio.
- A unidade exterior deve ser firmemente fixada a uma superfície nivelada e resistente, capaz de suportar o respectivo peso.
- O cilindro deve ser instalado numa superfície nivelada e resistente, capaz de suportar o peso do mesmo quando cheio, de forma a evitar ruídos ou vibrações excessivos.
- Não posicione mobiliário ou aparelhos eléctricos por baixo da unidade exterior ou do cilindro.
- A tubagem de descarga dos dispositivos de emergência que equipam o cilindro deve ser instalada de acordo com os regulamentos locais.
- Utilize apenas acessórios e peças de substituição autorizados pela Mitsubishi Electric, recorrendo a um técnico qualificado para proceder à montagem dos mesmos.

Circuitos eléctricos

- Todos os trabalhos de electricidade devem ser efectuados por um técnico qualificado, de acordo com os regulamentos locais e as instruções fornecidas neste manual.
- As unidades devem ser alimentadas através de um circuito de alimentação específico, devendo ser utilizada a voltagem correcta e os disjuntores adequados.
- A cablagem deve ser executada de acordo com os regulamentos nacionais. As ligações devem ser bem apertadas, sem que os terminais fiquem sujeitos a tensões.
- A unidade deve ser correctamente ligada à terra.

Geral

- Mantenha crianças e animais de estimação afastados do cilindro e da unidade exterior.
- Não utilize a água quente produzida pela bomba de calor directamente para beber ou cozinhar. Isto pode causar doenças no utilizador.
- Não suba para cima das unidades.
- Não toque nos interruptores com as mãos molhadas.
- As verificações de manutenção anual do cilindro e da unidade exterior devem ser efectuadas por um técnico qualificado.
- Não coloque recipientes com líquidos em cima do cilindro. Caso ocorram fugas ou salpicos de líquidos sobre o cilindro, isto pode resultar em danos na unidade ou incêndio.
- Não coloque nenhum item pesado em cima do cilindro.
- Quando instalar, mudar a localização ou reparar o cilindro, utilize apenas o refrigerante especificado da bomba de calor para carregar as tubagens do refrigerante. Não o misture com qualquer outro refrigerante e certifique-se de que não fica ar nas tubagens. A mistura de ar com o refrigerante pode causar uma pressão alta anómala na tubagem do refrigerante, o que pode resultar numa explosão e noutros perigos.
- A utilização de qualquer refrigerante diferente do especificado para o sistema provoca uma falha mecânica, avaria do sistema ou da unidade. No pior dos casos, pode levar a um entrave grave no sentido de garantir a segurança do produto.
- No modo de aquecimento, para evitar que os dissipadores de calor sejam danificados por água excessivamente quente, ajuste a temperatura do caudal alvo para um mínimo de 2°C abaixo da temperatura máxima admissível de todos os dissipadores de calor. Para a Zona2, ajuste a temperatura do caudal alvo para um mínimo de 5°C abaixo da temperatura máxima admissível de todos os dissipadores de calor no circuito da Zona2.
- Não instale a unidade onde gases combustíveis possam vaziar, ser produzidos, fluir ou acumular-se. Caso o gás combustível se acumule em redor da unidade, pode ocorrer fogo ou explosão.
- Não utilize meios para acelerar o processo de descongelação ou para limpar, que não aqueles recomendados pelo fabricante.
- O aparelho será armazenado num espaço sem fontes de ignição em funcionamento contínuo (por exemplo: chamas abertas, um aparelho a gás em funcionamento ou uma resistência eléctrica em funcionamento).
- Não perfure nem queime.
- Tenha em atenção que os refrigerantes poderão ser inodoros.
- As tubagens deverão ser protegidas contra danos físicos.
- A instalação das tubagens deve ser mantida a um mínimo.
- A conformidade com os regulamentos nacionais de gás deverá ser cumprida.
- Mantenha quaisquer aberturas de ventilação livres de obstrução.
- Não utilize uma liga de solda de baixa temperatura em caso de brasagem dos tubos de refrigerante.

pt

1 Medidas de precaução

CUIDADO

No circuito primário, utilize água limpa que cumpra as normas locais de qualidade da água.

A unidade exterior deve ser instalada numa área suficientemente ventilada, de acordo com os desenhos disponíveis no manual de instalação da unidade exterior.

O cilindro deve ser instalado no interior, de forma a minimizar a perda de calor.

As tubagens de água do circuito primário entre a unidade exterior e o cilindro devem ter a menor extensão possível, de forma a reduzir a perda de calor.

Certifique-se de que o condensado produzido pela unidade exterior é encaminhado, através de um tubo, para longe da base, de forma a evitar a formação de poças de água.

Remova tanto ar quanto possível dos circuitos primário e de AQS.

A fuga de refrigerante pode causar asfixia. Garanta a ventilação em conformidade com a norma EN378-1.

Certifique-se de que envolve as tubagens com material de isolamento. O contacto directo com tubagens não isoladas pode resultar em queimaduras ou ulcerações provocadas pelo frio.

Nunca coloque pilhas na boca, por nenhum motivo, para evitar a ingestão accidental.

A ingestão de uma pilha pode causar obstrução das vias respiratórias e/ou envenenamento.

Não transporte o cilindro com água no depósito de AQS ou na bateria. Isto pode causar danos na unidade.

Se pretender desligar o cilindro (ou o sistema) durante um longo período de tempo, a água deve ser drenada.

Se não utilizado por um longo período de tempo, antes de o funcionamento ser retomado, o depósito de AQS deve ser enxaguado com água potável.

Devem ser tomadas medidas preventivas contra o golpe de aríete, como a instalação de um colector de golpe de aríete no circuito hidráulico primário, conforme indicado pelo fabricante.

No que se refere ao manuseamento do refrigerante, consulte o manual de instalação da unidade exterior.

2 Introdução

Este manual tem por objectivo transmitir a técnicos qualificados as informações necessárias para instalar e colocar em serviço, de forma segura e eficiente, o sistema do cilindro. Este manual destina-se a canalizadores e/ou técnicos de refrigeração qualificados, que tenham frequentado e concluído com sucesso

a necessária formação sobre produtos da Mitsubishi Electric e possuam as qualificações adequadas para procederem à instalação de cilindros de água quente não ventilados específicos para os respectivos países.

3 Informação técnica

Especificações do produto

Nome do modelo	EHST17D-VM2D	ERST17D-VM2D	EHST20D-MED	EHST20D-VM2D	EHST20D-VM6D	EHST20D-VM9D	EHST20D-YM9D	EHST20D-YM9ED	ERST20D-VM2D	EHST30D-MED	EHST30D-VM6D	EHST30D-VM9ED	ERST30D-VM2ED
Volume nominal de água quente doméstica	170 L												
Dimensões gerais da unidade (Altura x Largura x Profundidade)	1400 x 595 x 680 mm												
Peso (vazio)	93 kg	104 kg	98 kg	104 kg	105 kg	106 kg	101 kg	108 kg	104 kg	113 kg	115 kg	116 kg	114 kg
	269 kg	310 kg	304 kg	310 kg	311 kg	314 kg	309 kg	314 kg	310 kg	420 kg	422 kg	425 kg	421 kg
Volume de água do circuito de aquecimento na unidade *1	3-4 L	3-5 L	3-4 L	3-5 L	3-4 L	3-5 L	5-8 L	5-8 L	3-5 L	3-9 L	3-9 L	6-2 L	3-9 L
Vaso de expansão não ventilado (aquecimento primário)	12 L			12 L					12 L				
Pressão de carga	0,1 MPa			0,1 MPa					0,1 MPa				
Circuito primário	1 - 80°C												
Válvula de descarga de pressão	0,3 MPa (3 bar)												
Sensor de fluxo	Caudal min. 5,0 L/min (Consulte a tabela 4.3.1 sobre a gama de caudais de água)												
Termóstato de reposição manual BH	90°C			90°C									90°C
Proteção térmica BH	121°C			121°C									121°C
Termistor de controlo	75°C												
Termóstato de reposição manual IH													
Depósito de AQS	1,0 MPa (10 bar)												
Temperatura/Válvula de descarga de pressão	Circuito primário												
Água	Circuito AQS												
Refrigerante (R32/R410A)	Líquido												
	Gás												
Aquecimento	Temperatura do espaço												
Intervalo de funcionamento	Temperatura do caudal												
	Temperatura do espaço												
	Arrefecimento												
	5 - 25°C			5 - 25°C					5 - 25°C				5 - 25°C
Ambiente	0 - 35°C (≤ 80% HR)												
Intervalo de funcionamento garantido *2	Ver tabela esp. unidade exterior.												
Temperatura exterior													
Arrefecimento	*3								*3				*3
Temperatura de água quente máx. permitida	70°C		*4			70°C				*4			70°C
Perfil de carga declarado	L												
Clima médio	A+												
Placa de controlo (incluindo 4 bombas)	A+												
	~N, 230 V, 50 Hz												
	0,30 kW												
	1,95 A												
	10 A												
Alimentação (Fase, voltagem, frequência)	~N, 230 V, 50 Hz			~N, 230 V, 50 Hz			3~ 400 V, 50 Hz	3~ 230 V, 50 Hz	~N, 230 V, 50 Hz			3~ 400 V, 50 Hz	3~ 230 V, 50 Hz
Resistência de aquecimento	2 kW			2 kW			3 kW+4 kW	2 kW	2 kW			3 kW +6 kW	2 kW
Corrente	9 A			9 A			13 A	9 A	9 A			13 A	9 A
Disjuntor	16 A			16 A			16 A	16 A	16 A			16 A	16 A
Alimentação (Fase, voltagem, frequência)													
Resistência de imersão *5													
Corrente													
Disjuntor													
Nível de potência acústica (PWL)	41 dB(A)												

<Tabela 3.1>

*1 Volume do circuito de águas sanitárias, circuito primário de AQS (da válvula de 3 vias ao ponto de confluência com o circuito de aquecimento), tubagem para o vaso de expansão não estão incluídos neste valor.
 *2 O ambiente não deve ter gelo.
 *3 Ver tabela esp. unidade exterior (min. 10°C). O modo de arrefecimento não está disponível com a temperatura exterior baixa. Se utilizar o nosso sistema no modo de arrefecimento à temperatura ambiente baixa (10°C ou abaixo), existem alguns riscos de danos no manipulador de calor de placas por água congelada.
 *4 Para o modelo sem resistência de aquecimento nem resistência de imersão, a temperatura máxima da água quente permitida é de [temperatura máxima da água de saída da unidade exterior - 3°C]. Para obter informações sobre a temperatura máxima da água de saída da unidade exterior, consulte o manual de especificações da unidade exterior.
 *5 Não instalar resistências de imersão sem proteção térmica. Utilize apenas peças de substituição Mitsubishi Electric para proceder à substituição direta.

3 Informação técnica

■ Especificações do produto

Nome do modelo	EHST20C-MED	EHST20C-VM2D	EHST20C-VM6D	EHST20C-VM9D	EHST20C-VM9ED	EHST20C-TM9D	ERST20C-VM2D	EHST30C-MED	EHST30C-VM6D	EHST30C-VM9ED	EHST30C-TM9ED	ERST30C-VM2ED	EHPT17X-VM6D	EHPT17X-VM9D	ERPT17X-VM2D	
Volume nominal de água quente doméstica	200 L															
Dimensões gerais da unidade (Altura x Largura x Profundidade)	1600 x 595 x 680 mm															
Peso (vazio)	106 kg	113 kg	114 kg	115 kg	109 kg	115 kg	113 kg	118 kg	120 kg	121 kg	121 kg	120 kg	85 kg	86 kg	87 kg	
Peso (cheio)	314 kg	320 kg	321 kg	324 kg	319 kg	324 kg	320 kg	426 kg	422 kg	431 kg	428 kg	428 kg	261 kg	262 kg	265 kg	
Volume de água do circuito de aquecimento na unidade *1	4,6 L		12 L		6,9 L		4,6 L		5,0 L		7,3 L		3,2 L		3,2 L	
Vaso de expansão não ventilado (aquecimento primário)	—		12 L		—		12 L		—		—		12 L		—	
Pressão de carga	—		0,1 MPa		—		0,1 MPa		—		—		0,1 MPa		—	
Circuito primário	Termostato de controle															
Resistência de aquecimento	Válvula de descarga de pressão															
Depósito de AQS	Sensor de fluxo															
Dispositivo de segurança	Termostato de reposição manual BH															
	Proteção térmica BH															
	Termostato de reposição manual IH															
	Temperatura/															
	Válvula de descarga de pressão															
Ligações	Água															
	Circuito primário															
	Circuito AQS															
	Refrigerante (R32/R410A)															
	Gás															
	Temperatura do espaço															
	Temperatura do caudal															
	Temperatura do espaço															
	Arrefecimento															
	Temperatura do caudal															
Intervalo de funcionamento garantido *2	Ambiente															
	Temperatura exterior															
	Aquecimento															
	Arrefecimento															
	Temperatura de água quente máx. permitida															
	Perfil de carga declarado															
Desempenho do depósito de AQS	Classe de eficiência energética do aquecedor de água															
	Clima médio															
	Placa de controle (Incluindo 4 bombas)															
	Alimentação (Fase, voltagem, frequência)															
	Entrada															
	Corrente															
	Disjuntor															
	Alimentação (Fase, voltagem, frequência)															
Dados elétricos	Resistência de aquecimento															
	Potência															
	Corrente															
	Disjuntor															
Nível de potência acústica (PWL)	40 dB(A)															

<Tabela 3.2>

*1 Volume do circuito de águas sanitárias, circuito primário de AQS (da válvula de 3 vias ao ponto de confluência com o circuito de aquecimento), tubagem para o vaso de expansão e vaso de expansão não estão incluídos neste valor.

*2 O ambiente não deve ter gelo.

*3 Ver tabela esp. unidade exterior. (min. 10°C). O modo de arrefecimento não está disponível com a temperatura exterior baixa. Se utilizar o nosso sistema no modo de arrefecimento à temperatura ambiente baixa (10°C ou abaixo), existem alguns riscos de danos no permutador de calor de placas por água congelada.

*4 Para o modelo sem resistência de aquecimento nem resistência de imersão, a temperatura máxima da água quente permitida é de [temperatura máxima da unidade exterior - 3°C]. Para obter informações sobre a temperatura máxima da água de saída da unidade exterior, consulte o manual de especificações da unidade exterior.

*5 Não instalar resistências de imersão sem proteção térmica. Utilize apenas peças de substituição Mitsubishi Electric para proceder à substituição direta.

3 Informação técnica

■ Especificações do produto

Nome do modelo	EHPT20X-MED	EHPT20X-VM6D	EHPT20X-YM9D	EHPT20X-YM9D	EHPT20X-TM9D	EHPT20X-MHEDW	ERPT20X-MD	ERPT20X-VM2D	ERPT20X-VM6D	EHPT30X-MED	EHPT30X-VM9ED	ERPT30X-VM2ED
Volume nominal de água quente doméstica	300 L											
Dimensões gerais da unidade (Altura x Largura x Profundidade)	1600 x 595 x 680 mm											
Peso (vazio)	93 kg	101 kg	102 kg	96 kg	102 kg	90 kg	99 kg	100 kg	101 kg	106 kg	109 kg	107 kg
Peso (cheio)	300 kg	307 kg	310 kg	305 kg	310 kg	296 kg	305 kg	305 kg	307 kg	413 kg	419 kg	413 kg
Volume de água do circuito de aquecimento na unidade *1	3,7 L											
Vaso de expansão não ventilado (aquecimento primário)	12 L											
Pressão de carga	0,1 MPa											
Termistor de controlo	1 - 80°C											
Válvula de descarga de pressão	—											
Sensor de fluxo	Caudal min. 5,0 L/min (Consulte a tabela 4.3.1 sobre a gama de caudais de água)											
Termostato de reposição manual BH	90°C											
Proteção térmica BH	121°C											
Termistor de controlo	75°C											
Termostato de reposição manual IH	—											
Termostato de reposição manual	90°C/0,7 MPa (7 bar)											
Válvula de descarga de pressão	1,0 MPa (10 bar)											
Água	Circuito primário											
Refrigerante (R32/R410A)	Circuito AQS											
Líquido	—											
Gás	—											
Aquecimento	Temperatura do espaço											
Arrefecimento	Temperatura do caudal											
Ambiente	Temperatura do caudal											
Intervalo de funcionamento garantido *2	0 - 35°C (≤ 80% HR)											
Temperatura exterior	Ver tabela esp. unidade exterior											
Temperatura de água quente máx. permitida	*4											
Perfil de carga declarado	70°C											
Clima médio	L											
Placa de controlo (incluindo 4 bombas)	A+											
Alimentação (Fase, voltagem, frequência)	~N, 230 V, 50 Hz											
Entrada	0,30 kW											
Corrente	1,95 A											
Disjuntor	10 A											
Resistência de aquecimento	Alimentação (Fase, voltagem, frequência)											
Corrente	~N, 230 V, 50 Hz											
Disjuntor	3~ 400 V, 50 Hz											
Resistência de imersão *5	Potência											
Corrente	3 kW +6 kW											
Disjuntor	13 A											
Potência	16 A											
Corrente	32 A											
Disjuntor	~N, 230 V, 50 Hz											
Potência	3 kW											
Corrente	13 A											
Disjuntor	16 A											
Nível de potência acústica (PWL)	40 dB(A)											

<Tabela 3.3>

*1 Volume do circuito de águas sanitárias, circuito primário de AQS (da válvula de 3 vias ao ponto de confluência com o circuito de aquecimento), tubagem para o vaso de expansão não estão incluídos neste valor.

*2 O ambiente não deve ter gelo.

*3 Ver tabela esp. unidade exterior (mín. 10°C). O modo de arrefecimento não está disponível com a temperatura exterior baixa. Se utilizar o nosso sistema no modo de arrefecimento à temperatura ambiente baixa (10°C ou abaixo), existem alguns riscos de danos no permutador de calor de placas por água congelada.

*4 Para o modelo sem resistência de aquecimento nem resistência de imersão, a temperatura máxima da água quente permitida é de [temperatura máxima da água de saída da unidade exterior - 3°C]. Para obter informações sobre a temperatura máxima da água de saída da unidade exterior, consulte o manual de especificações da unidade exterior.

*5 Não instalar resistências de imersão sem proteção térmica. Utilize apenas peças de substituição Mitsubishi Electric para proceder à substituição direta.

3 Informação técnica

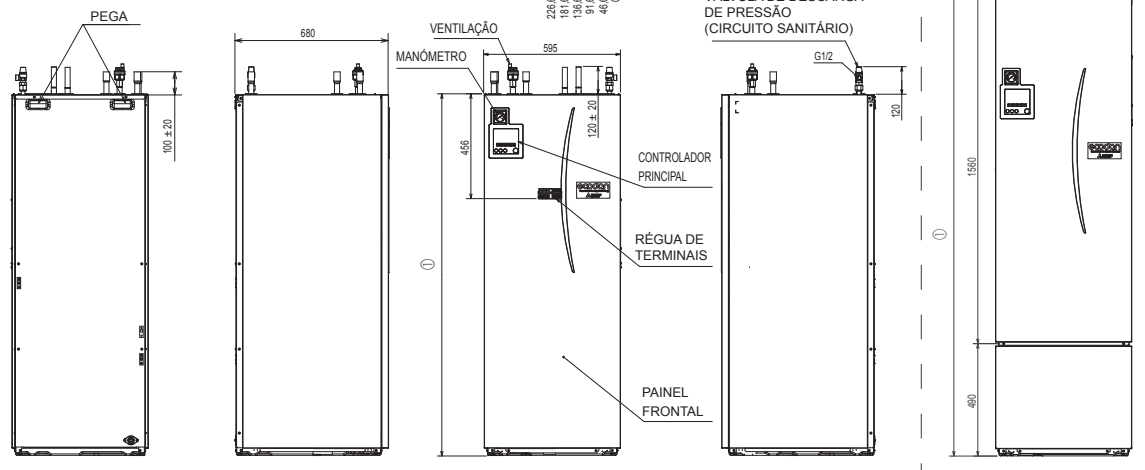
Desenhos técnicos

<E**T***-M**D>

(Sistema de modelo compacto)

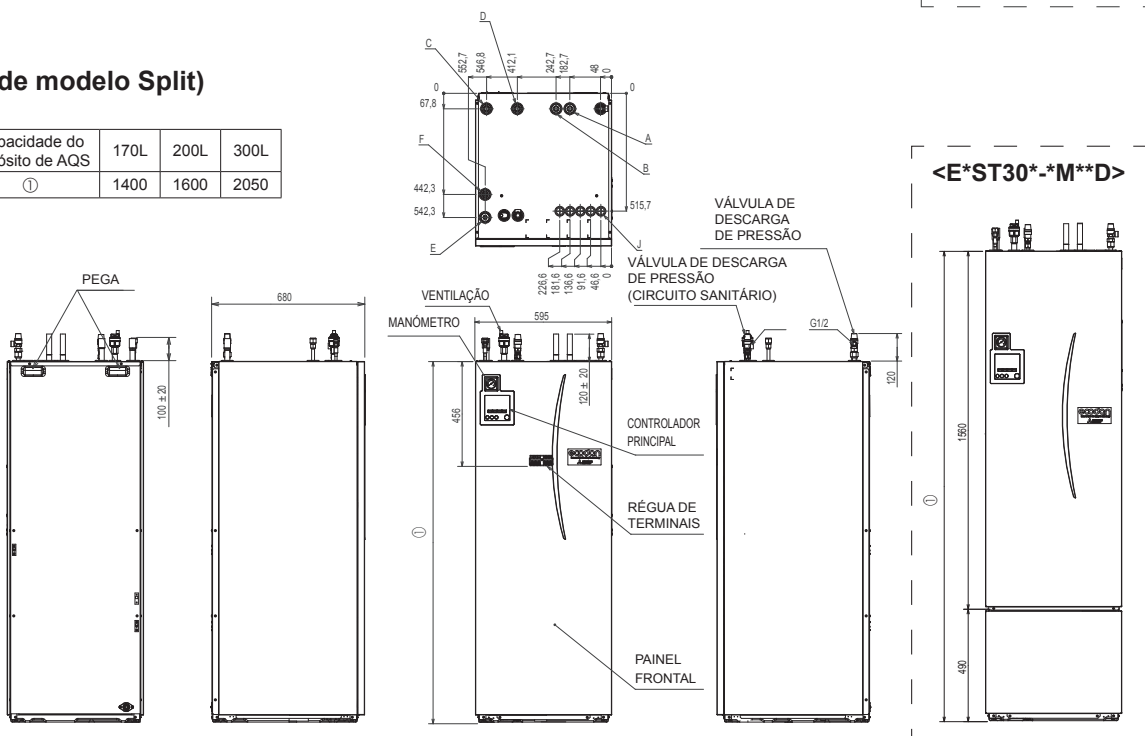
<Unidade: mm>


Capacidade do depósito de AQS	170L	200L	300L
①	1400	1600	2050



(Sistema de modelo Split)

Capacidade do depósito de AQS	170L	200L	300L
①	1400	1600	2050



Letra	Descrição do tubo	Medida/tipo da ligação	
A	Ligação de saída AQS	22 mm/de aperto	
B	Ligação de entrada de água fria	22 mm/de aperto	
C	Ligação de retorno de aquecimento/arrefecimento de espaço	28 mm/de aperto	
D	Ligação de caudal de aquecimento/arrefecimento de espaços	28 mm/de aperto	
E	Ligação de caudal DE bomba de calor (Sem permutador de calor de placas)	28 mm/de aperto	
F	Ligação de retorno PARA bomba de calor (Sem permutador de calor de placas)	28 mm/de aperto	
G	Refrigerante (gás) (Com permutador de calor de placas)	12,7 mm/cónica (E**ST**D-*) 15,88 mm/cónica (E**ST**C-*)	⚠ Aviso • A ligação dos tubos de refrigerante deve ser acessível para fins de manutenção. • Em caso de nova ligação dos tubos de refrigerante após retirar, solicite que a peça alargada do tubo seja refabricada.
H	Refrigerante (líquido) (Com permutador de calor de placas)	6,35 mm/cónica (E**ST**D-*) 9,52 mm/cónica (E**ST**C-*)	
J	Entrada de cablagem eléctrica 	Para as entradas ①, ② e ③, usar condutores de baixa tensão, inclusive nas cablagens de entrada externas e nas cablagens de ligação de termístores. Para as entradas ④ e ⑤, usar condutores de alta tensão, inclusive para o cabo de alimentação, cabo de ligação da unidade interior à unidade exterior e nas cablagens de saída externas. *Para os cabos do receptor sem fios (opcional) e da interface Wi-Fi Ecodan (opcional), use a entrada ①.	

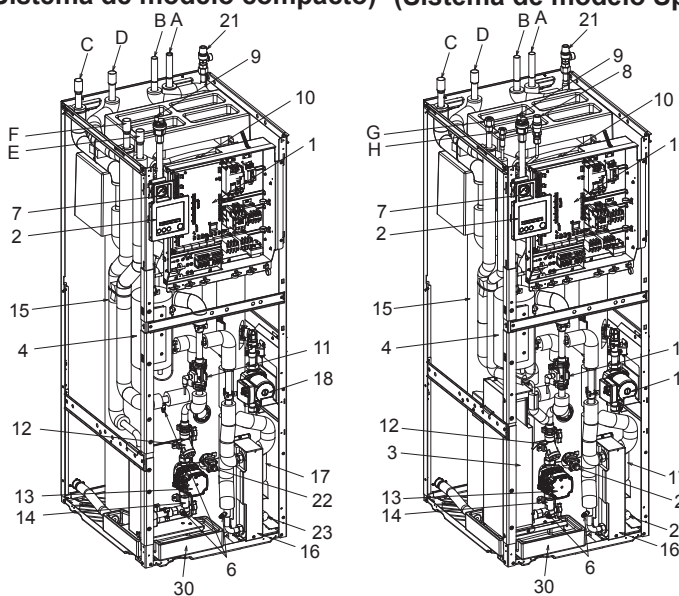
<Tabela 3.4>

3 Informação técnica

Componentes

<E**T***-M**D>

(Sistema de modelo compacto) (Sistema de modelo Split)

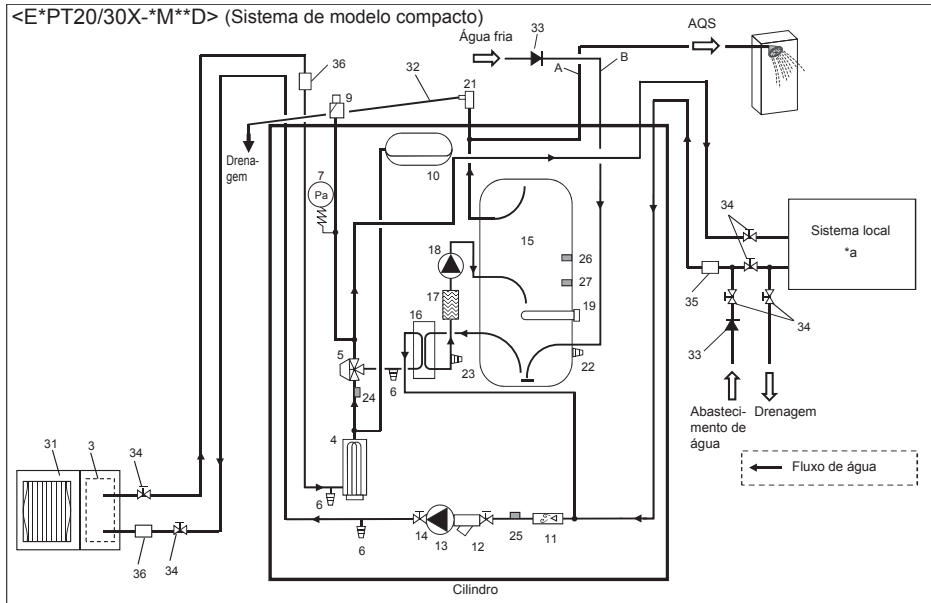


Nota:
Para a instalação de todos os modelos E**T***-M**ED*, certifique-se de que instala um vaso de expansão do lado primário de tamanho adequado e uma VDP adicional para evitar que o vaso de expansão rebente no local. (consulte a figura 3.2 ~ 3.3 e 4.3.2 para mais orientação).

<Figura 3.1>

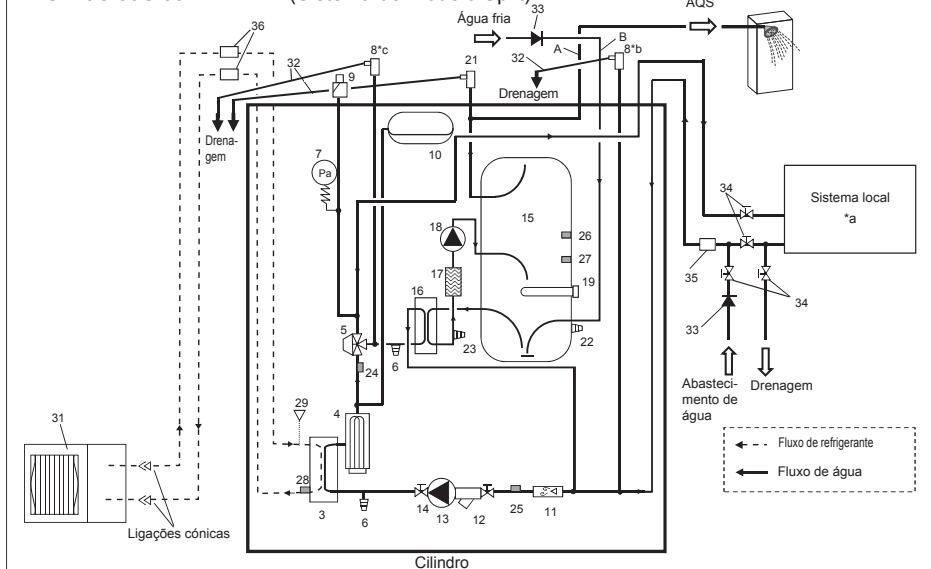
Diagrama do circuito de água

<E*PT20/30X-M**D> (Sistema de modelo compacto)



<Figura 3.2>

<E*ST20C/30C/30D-M**D> (Sistema de modelo Split)



<Figura 3.3>

N.º	Nome do componente
A	Tubo de saída AQS
B	Tubo de entrada de água fria
C	Tubo de água (ligação de retorno de aquecimento/arrefecimento de espaços)
D	Tubo de água (ligação de caudal de aquecimento/arrefecimento de espaços)
E	Tubo de água (caudal da ligação da bomba de calor)
F	Tubo de água (ligação de retorno para bomba de calor)
G	Tubo do refrigerante (gás)
H	Tubo do refrigerante (líquido)
1	Quadro eléctrico e de controlo
2	Controlador principal
3	Permutador de calor de placas (refrigerante - água)
4	Resistência de aquecimento 1,2
5	Válvula de 3 vias
6	Torneira de drenagem (circuito primário)
7	Manómetro
8	Válvula de descarga de pressão (3 bar)
9	Ventilação automática
10	Vaso de expansão (circuito primário)
11	Sensor de fluxo
12	Válvula do filtro
13	Bomba de circulação de água 1 (circuito primário)
14	Válvula da bomba
15	Depósito de AQS
16	Permutador de calor de placas (água - água)
17	Filtro de depósitos calcários
18	Bomba de circulação de água (circuito sanitário)
19	Resistência de imersão*1
20	Válvula de regulação de temperatura e descarga de pressão*1
21	Válvula descarga pressão (10 bar) (depósito AQS)
22	Torneira de drenagem (depósito AQS)
23	Torneira de drenagem (circuito sanitário)
24	Termistor da temp. água caudal (THW1)
25	Termistor da temp. água retorno (THW2)
26	Termistor da temp. água superior do depósito AQS (THW5A)
27	Termistor da temp. água inferior do depósito AQS (THW5B)
28	Termistor da temp. líquido refrigerante (TH2)
29	Sensor de pressão
30	Recipiente de drenagem
31	Unidade exterior
32	Tubo de drenagem (fornecimento local)
33	Válvula anti-retorno (fornecimento local)
34	Válvula de isolamento (fornecimento local)
35	Filtro magnético (fornecimento local) (recomendado)
36	Filtro (fornecimento local)
37	VDP adicional (fornecimento local)
38	Grupo de controlo da entrada*1
39	Bicha de enchimento (válvulas de macho esférico, válvulas de retenção e mangueira flexível)*1
40	Vaso de expansão potável*1

*1 Fornecido APENAS com os modelos destinados ao Reino Unido. Consulte o manual de instalação do PAC-WK02UK-E para obter mais informações sobre acessórios.

<Tabela 3.5>

Aceda ao website da Mitsubishi para verificar o circuito de água de outras unidades e os componentes de cada unidade.

*a Consulte a secção seguinte [Sistema local].

*b Apenas E**T20

*c Apenas E**T30

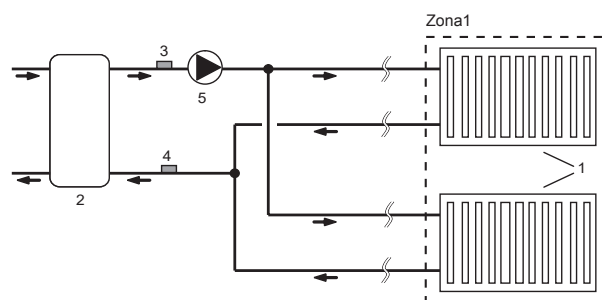
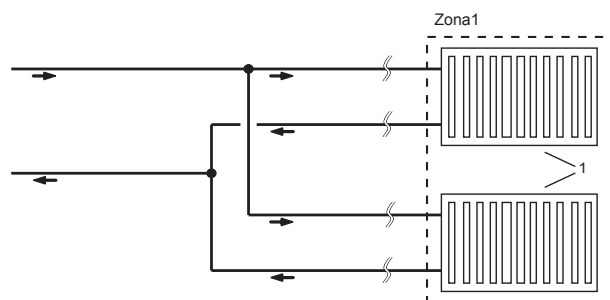
Nota

- Para permitir a drenagem do cilindro, é necessário instalar uma válvula de isolamento nas tubagens de entrada e de saída.
- Assegure a instalação de um filtro na tubagem de entrada do cilindro.
- Todas as válvulas de descarga devem ser ligadas a tubagens de drenagem adequadas, em conformidade com os regulamentos em vigor no seu país.
- Deve ser instalada uma válvula anti-retorno na tubagem de abastecimento de água fria (IEC 61770)
- Quando utilizar componentes fabricados com diferentes metais ou proceder à ligação de tubos de metais diferentes, isole as uniões de forma a impedir a ocorrência de reacções corrosivas, as quais poderão danificar as tubagens.

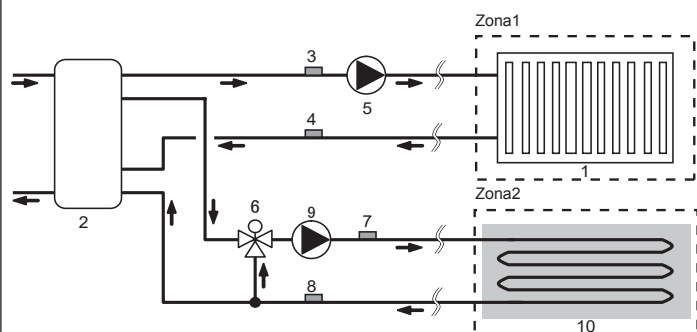
3 Informação técnica

■ Sistema local

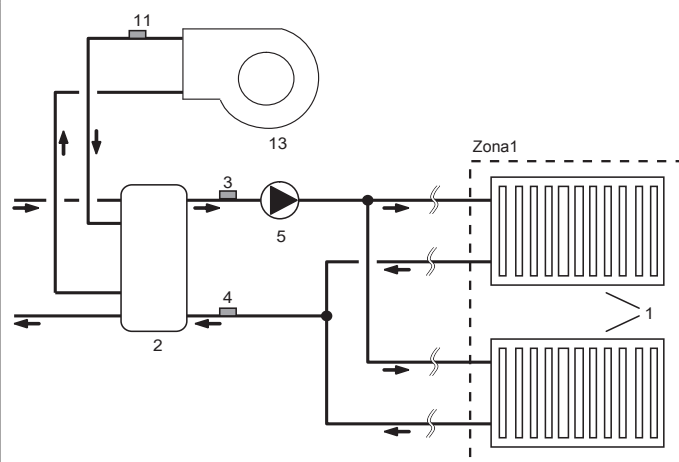
Controlo da temperatura de 1 zona



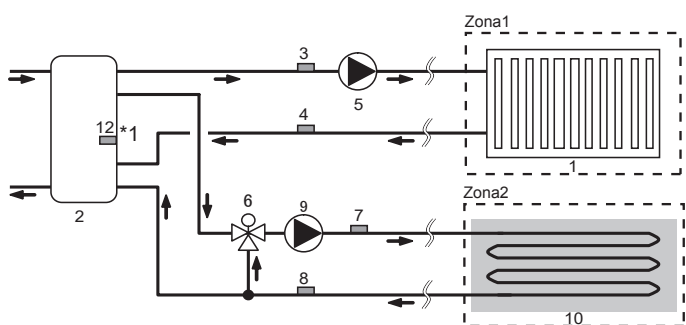
Controlo da temperatura de 2 zonas



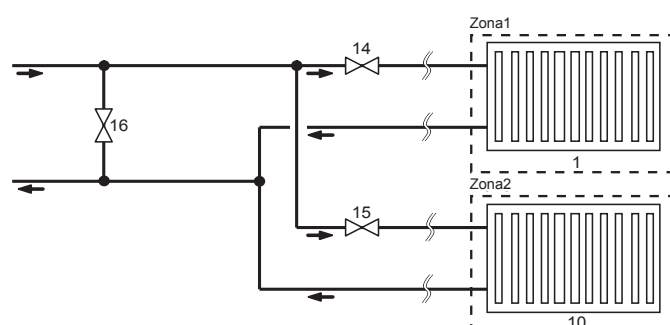
Controlo da temperatura de 1 zona com caldeira



Controlo de temperatura de 2 zonas e Controlo do depósito de reserva



Controlo da temperatura de 1 zona (controlo LIG./DESLIG. da válvula de 2 zonas)



1. Dissipadores de calor da zona 1 (por ex., radiador, unidade da bobina da ventoinha) (fornecimento local)
2. Depósito misturador (fornecimento local)
3. Termistor da temp. água caudal da Zona 1 (THW6)
4. Termistor da temp. água retorno de Zona 1 (THW7) } Peça opcional: PAC-TH011-E
5. Bomba de circulação de água da Zona 1 (fornecimento local)
6. Válvula misturadora motorizada (fornecimento local)
7. Termistor da temp. água caudal da Zona 2 (THW8)
8. Termistor da temp. água retorno de Zona 2 (THW9) } Peça opcional: PAC-TH011-E
9. Bomba de circulação de água da Zona 2 (fornecimento local)

10. Dissipadores de calor da Zona 2 (p. ex., aquecimento por pavimento radiante) (fornecimento local)
11. Termistor da temp. água caudal da caldeira (THWB1) } Peça opcional: PAC-TH012HT(L)-E
12. Termistor do depósito misturador (THW10) *1
13. Caldeira (fornecimento local)
14. Válvula de 2 vias da Zona 1 (fornecimento local)
15. Válvula de 2 vias da Zona 2 (fornecimento local)
16. Válvula de desvio (fornecimento local)

*1 APENAS Controlo do depósito de reserva (Aquec./Arref.) aplica-se a "Smart grid ready".

4 Instalação

<Preparação antes da instalação e da manutenção>

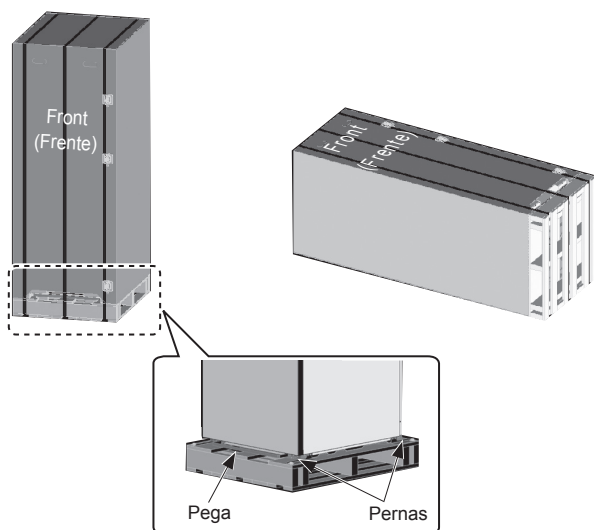
- Prepare as ferramentas adequadas.
- Prepare a protecção adequada.
- Deixe as peças arrefecerem antes de tentar qualquer tipo de manutenção.
- Proporcione ventilação adequada.
- Depois de parar o funcionamento do sistema, desligue o disjuntor de alimentação e retire a ficha de alimentação.
- Descarregue o condensador antes de iniciar trabalho que envolva as peças eléctricas.

<Precauções durante a manutenção>

- Não realize trabalho que envolva peças eléctricas com as mãos molhadas.
- Não deite água sobre as peças eléctricas.
- Não toque no refrigerante.
- Não toque nas áreas quentes ou frias no ciclo do refrigerante.
- Sempre que for necessário proceder à reparação ou inspecção do circuito sem desligar a corrente, tenha extremo cuidado para não tocar nas peças ligadas à corrente.

4.1 Localização

■ Transporte e manuseamento



<Figura 4.1.1>

O cilindro é fornecido numa palete de madeira, com uma embalagem de protecção de cartão.

Devem ser tomadas todas as precauções durante o transporte do cilindro, por forma a assegurar que o armário não é danificado por impactos. Não retire a embalagem de protecção antes do cilindro ser colocado na localização final. Isto ajudará a proteger a estrutura e o painel de controlo.

- Cilindro pode ser transportado na vertical ou na horizontal. Caso seja transportado na horizontal, o painel assinalado com "Frente" tem de ficar virado **PARA CIMA** <Figura 4.1.1>.
- O cilindro deve ser **SEMPRE** movimentado por um mínimo de 3 pessoas.
- Ao carregar o cilindro, utilize as pegas disponibilizadas.
- Antes de utilizar as pegas, certifique-se de que estão bem fixas.
- **Depois de a unidade ser colocada no local de instalação, retire a pega dianteira, as pernas de fixação, a base de madeira e qualquer outra embalagem.**
- **Guarde as pegas para transporte futuro.**

■ Localização adequada

Antes da instalação, o cilindro deve ser armazenado num local protegido do frio e das condições climatéricas. As unidades **NÃO** devem ser empilhadas.

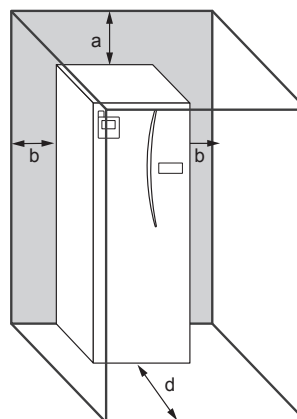
- O cilindro deve ser instalado no interior, num local protegido do frio e das condições climatéricas.
- Instale o cilindro num local que não esteja exposto a água/humidade excessiva.
- O cilindro deve ser posicionado sobre uma superfície plana, capaz de suportar o peso do mesmo quando cheio. (Podem ser utilizados os pés ajustáveis (acessórios) para garantir que a unidade fica nivelada.)
- Quando utilizar os pés ajustáveis, certifique-se de que o pavimento é suficientemente resistente.
- Deve ter-se o cuidado de garantir as distâncias mínimas recomendadas em redor da unidade, de forma a permitir o acesso para manutenção <Figura 4.1.2>.
- Fixe o cilindro para impedir que tombe.

■ Diagramas de acesso para manutenção

Acesso para manutenção	
Parâmetro	Dimensão (mm)
a	300*
b	150
c (distância por detrás da unidade, não visível na Figura 4.1.2)	10
d	500

<Tabela 4.1.1>

TEM de ser garantido espaço suficiente para instalação das tubagens de descarga, de acordo com o exigido pelos regulamentos de construção locais e nacionais.



<Figura 4.1.2>

Acesso para manutenção

* São necessários 300 mm adicionais de espaço (total 600 mm) ao instalar o kit opcional de 2 áreas (PAC-TZ02-E) no topo do cilindro.

O cilindro deve ser instalado no interior e num ambiente sem gelo, por exemplo, numa sala de máquinas, para minimizar a perda de calor derivada da água armazenada.

■ Reposicionamento

Caso necessite de mover o cilindro para uma nova posição, DRENE-O NA TOTALIDADE antes de movê-lo para evitar danificar a unidade.

4 Instalação

4.2 Qualidade da água e preparação do sistema

■ Geral

- A água dos circuitos primário e sanitário deve ser limpa e apresentar um valor de pH entre 6,5 e 8,0.
- Os valores apresentados a seguir são os valores máximos:
 - Cálcio: 100 mg/L; Dureza Ca : 250 mg/L;
 - Cloreto: 100 mg/L; Cobre: 0,3 mg/L.
- Outros constituintes devem estar de acordo com as normas da Directiva Europeia 98/83 CE.
- Em zonas com água dura conhecida, para prevenir/minimizar a formação de calcário, mostra-se benéfico restringir a temperatura da água armazenada numa base de rotina (temperatura máxima de AQS) a 55°C.

■ Solução anti-congelamento

As soluções anti-congelamento devem utilizar propilenoglicol com uma classificação de toxicidade de Classe 1, conforme indicado em "Clinical Toxicology of Commercial Products, 5th Edition".

Nota:

- O etileno glicol é tóxico e NÃO deve ser utilizado no circuito de água primário no caso de eventual contaminação cruzada do circuito potável.
- Para controlo LIG./DESLIG. da válvula de 2 zonas, deve ser utilizado propilenoglicol.

■ Instalação nova (circuito primário de água)

- Antes de ligar a unidade exterior, limpe cuidadosamente as tubagens para eliminar fragmentos de construção, detritos de soldadura, etc, utilizando um agente químico de limpeza adequado.
- Lave o sistema com água, para remover o produto de limpeza.
- Para todos os sistemas compactos, adicione uma solução combinada de inibidor e anti-congelamento, para evitar danos nas tubagens e nos componentes do sistema.
- No caso dos sistemas Split, o instalador responsável deve decidir se a solução anti-congelamento é necessária, em função das condições do local. Contudo, o inibidor de corrosão deve ser sempre utilizado.

■ Instalação existente (circuito primário de água)

- Antes de ligar a unidade exterior, o circuito de aquecimento existente TERÁ de ser submetido a limpeza química, para remover detritos existentes no circuito.
- Lave o sistema com água, para remover o produto de limpeza.
- No caso de todos os sistemas de modelos acondicionados, e do modelo split ou sistema PUMY sem resistência de aquecimento, adicione um inibidor combinado e uma solução anticongelamento para prevenir danos nas tubagens e nos componentes do sistema.
- No caso dos sistemas Split, o instalador responsável deve decidir se a solução anti-congelamento é necessária, em função das condições do local. Contudo, o inibidor de corrosão deve ser sempre utilizado.

Quando utilizar agentes químicos de limpeza e inibidores de corrosão, siga sempre as instruções dos fabricantes e certifique-se de que o produto é adequado para os materiais empregues no circuito de água

4.3 Tubagem de água

■ Tubagem de água quente

O cilindro é do tipo FECHADO. A instalação de sistemas de água quente fechados deve obedecer aos requisitos expressos na parte G3 (Inglaterra e País de Gales), P3 (Escócia) e P5 (Irlanda do Norte) dos regulamentos de construção e segurança de edifícios. Para instalações fora do Reino Unido, garanta o cumprimento dos regulamentos relativos a sistemas de água quente fechados em vigor no seu país.

Ligue a alimentação de água para o circuito de AQS ao tubo A (Figura 3.1). O funcionamento dos seguintes dispositivos de segurança do cilindro deve ser verificado durante a instalação, por forma a detectar quaisquer anomalias:

- Válvula de descarga de pressão (circuito primário e depósito)
- Pré-carga do vaso de expansão (pressão de carga de gás)

As instruções contidas nas páginas seguintes, relativas à descarga segura de água quente dos dispositivos de segurança, devem ser cuidadosamente respeitadas.

- Em funcionamento, a tubagem fica bastante quente, pelo que deve ser isolada por forma a evitar queimaduras.
- Quando proceder à ligação das tubagens, certifique-se de que não entram nos tubos objetos estranhos, tais como fragmentos de construção ou outros detritos.

■ Tubagem de água fria

A água fria, de qualidade adequada (consulte a secção 4.2), deve ser introduzida no sistema através do tubo B (Figura 3.1), utilizando as ligações apropriadas.

■ Quantidade mínima de água necessária no circuito de aquecimento/arrefecimento do espaço

Unidade da bomba de calor exterior		Clima médio/mais quente**		Clima mais frio**	
		Unidade interior com a quantidade de água [L]	*Quantidade de água adicional necessária [L]	Unidade interior com a quantidade de água [L]	*Quantidade de água adicional necessária [L]
Modelo compacto	PUZ-WM50	5	2	5	24
	PUZ-WM60		4		29
	PUZ-WM85		7		32
	PUZ-WM112		11		43
	PUZ-HWM140		15		55
Modelo Split	SUZ-SWM40	5	1	5	12
	SUZ-SWM60		2		21
	SUZ-SWM80		4		29
	PUD-S(H)WM60		4		21
	PUD-S(H)WM80		6		29
	PUD-S(H)WM100		9		38
	PUD-S(H)WM120		12		47
	PUD-SHW140		15		55
	PUHZ-FRP71		6		27
	PUHZ-SW75		6		27
	PUHZ-SW100		9		38
	PUHZ-SW120		12		47
	PUHZ-SHW80		6		29
	PUHZ-SHW112		11		43
	PUHZ-SHW140		15		55
	PUMY-P112		22		75
	PUMY-P125		22		75
PUMY-P140	22	75			

<Tabela 4.2.1>

* Se houver um circuito de bypass, a tabela acima representa a quantidade mínima de água em caso de bypass.

** Consulte 2009/125/CE: Directiva e Regulamento de produtos relacionados com energia (UE) n.º 813/2013 para confirmar a zona de clima.

Caso 1. Sem divisão entre o circuito primário e secundário

- Garanta a quantidade de água necessária de acordo com a tabela 4.2.1 através do tubo de água e radiador ou pavimento radiante.

Caso 2. Circuito primário e secundário separado

- Se a operação de bloqueio da bomba primária e secundária não estiver disponível, garanta a água adicional necessária apenas no circuito primário de acordo com a tabela 4.2.1.
- Se a operação de bloqueio da bomba primária e secundária estiver disponível, garanta a quantidade total de água do circuito primário e secundário de acordo com a tabela 4.2.1.

No caso de falha da quantidade de água necessária, instale o depósito de reserva.

■ Prevenção de pressão negativa

Para prevenir pressão negativa que afecte o depósito de AQS, o técnico de instalação deve instalar tubagens adequadas ou utilizar dispositivos adequados.

■ Filtro hidráulico (APENAS série E*PT)

Instale um filtro hidráulico ou outro (fornecimento local) na admissão de água ("Tubo E" na Fig. 3.1)

■ Ligações da tubagem

As ligações ao cilindro devem ser efetuadas utilizando acessórios de aperto de 22 mm ou 28 mm, conforme adequado.

Ao ligar tubos de AQS através de acessórios de aperto, insira **revestimento de cobre para tubo de AQS** (acessórios) nos tubos e aperte-os de 0,75 a 1,25 voltas.

Não aperte demasiado os acessórios de aperto, dado que isto pode causar a deformação do vedante cónico e dar origem a fugas.

Nota: Antes de brasar os tubos no local, proteja os tubos no cilindro com toalhas molhadas, etc. como "proteção térmica".

■ Isolamento da tubagem

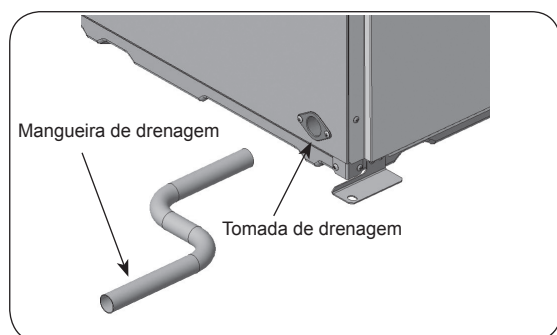
- Todas as tubagens de água expostas devem ser isoladas, de forma a evitar perdas de calor desnecessárias e condensação. Por forma a evitar que o condensado penetre no cilindro, as tubagens e ligações na parte superior do cilindro devem ser cuidadosamente isoladas.
- Sempre que possível, as tubagens de água fria e quente devem ser instaladas afastadas entre si, de forma a evitar a transferência indesejável de calor.
- A tubagem entre a bomba de calor exterior e o cilindro deve ser isolada com material adequado para o isolamento de tubos, com uma condutividade térmica de $\leq 0,04$ W/m.K.

4 Instalação

■ Tubagens de drenagem (APENAS série ER)

A peça opcional "Suporte do recipiente de drenagem" não necessita de ser instalada porque o recipiente de drenagem está instalado. A drenagem deve ser instalada a partir da tomada de drenagem na parte traseira esquerda da unidade. O tubo de drenagem deve ser instalado para drenar água condensada durante o modo de arrefecimento.

- Para evitar que a água suja drene directamente para o chão ao lado da unidade de cilindro, ligue as tubagens de descarga apropriadas a partir do recipiente de drenagem do cilindro.
- Instale o tubo de drenagem com segurança para evitar o vazamento da ligação.
- Isole firmemente o tubo de drenagem para evitar que pingue água do tubo de drenagem fornecido localmente.
- Instale o tubo de drenagem numa inclinação descendente de 1/100 ou mais.
- Não coloque o tubo de drenagem no canal de drenagem onde existe gás sulfúrico.
- Após a instalação, verifique se o tubo de drenagem drena água adequadamente da saída do tubo para o local adequado de descarga.



<Figura 4.3.1>

<Instalação>

1. A tomada de drenagem (diâmetro interior 26 mm) encontra-se na parte traseira esquerda do cilindro (Figura 4.3.1).
2. Fixe o tubo de drenagem (VP-20) que instala a tomada de drenagem com adesivo tipo cloreto de polivinilo.
3. Instale a tubagem de drenagem na saída com uma redução superior a um centésimo.

Nota: apoie bem o tubo de drenagem fornecido localmente para evitar que o tubo de drenagem caia da tomada de drenagem.



■ Dimensionamento dos vasos de expansão

O volume do vaso de expansão tem de se ajustar ao volume de água do sistema local.

Para dimensionar o vaso de expansão para o circuito de aquecimento, pode ser utilizada a seguinte fórmula e o seguinte gráfico.

Quando o volume do vaso de expansão necessário exceder o volume de um vaso de expansão incorporado, instale um vaso de expansão adicional de modo a que a soma dos volumes do vaso de expansão exceda o volume do vaso de expansão necessário.

* Para a instalação de um modelo E**T***-M*ED*, forneça e instale um vaso de expansão adequado no lado primário e uma válvula de descarga de pressão de 3 bar adicional no local uma vez que o modelo **NÃO** vem equipado com um vaso de expansão no lado primário.

$$V = \frac{\varepsilon \times G}{1 - \frac{P_1 + 0,098}{P_2 + 0,098}}$$

Onde:

- V : volume necessário do vaso de expansão [L]
- ε : coeficiente de expansão da água
- G : volume total de água no sistema [L]
- P₁ : pressão de regulação do vaso de expansão [MPa]
- P₂ : pressão máxima durante o funcionamento [MPa]

O gráfico ao lado representa os seguintes valores

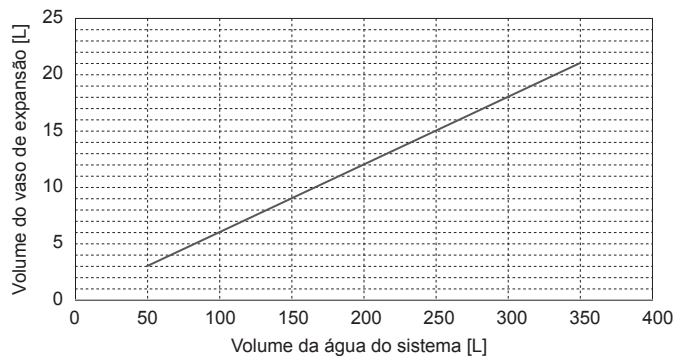
ε : a 70°C = 0,0229

P¹ : 0,1 MPa

P² : 0,3 MPa

*Foi adicionada uma margem de segurança de 30%.

Dimensionamento do vaso de expansão



<Figura 4.3.2>

4 Instalação

Características da bomba de circulação de água

1. Circuito primário

A velocidade da bomba pode ser seleccionada na mesma (observe a <Figura 4.3.3 - 4.3.7>).

Ajuste a velocidade da bomba de forma a que o caudal de água no circuito primário seja adequado para a unidade exterior instalada; consulte a Tabela 4.3.1. Pode ser necessário montar uma bomba adicional no sistema, dependendo da extensão e elevação do circuito primário.

Para modelos de unidade exterior não incluídos na <Tabela 4.3.1>, consulte o intervalo do caudal de água na tabela de especificações do manual de especificações da unidade exterior.

<Segunda bomba>

Caso seja necessário instalar uma segunda bomba, leia cuidadosamente as informações seguintes.

Se for utilizada uma segunda bomba no sistema, esta pode ser posicionada de 2 formas.

A posição da bomba determina quais os terminais do FTC a que o cabo de comando deve ser ligado. Se a(s) bomba(s) adicional(adicionais) consumirem um valor de corrente superior a 1 A, utilize um relé adequado. O cabo de comando da bomba pode ser ligado aos terminais 1-2 da régua de terminais TBO.1 ou aos terminais CNP1, mas não a ambos.

Opção 1 (apenas aquecimento/arrefecimento de espaços)

Caso a segunda bomba seja utilizada apenas para o circuito de aquecimento, o cabo de comando deve ser ligado aos terminais 3 e 4 da régua de terminais TBO.1 (SAÍDA2). Nesta posição, a bomba pode funcionar a uma velocidade diferente da bomba integrada no cilindro.

Opção 2 (circuito primário de AQS e aquecimento/arrefecimento de espaços)

Caso a segunda bomba seja utilizada no circuito primário, entre o cilindro e a unidade exterior (APENAS em sistemas compactos), o cabo de comando deve ser ligado aos terminais 1 e 2 da régua de terminais TBO.1 (SAÍDA1). Nesta posição, a velocidade da bomba TEM de ser igual à velocidade da bomba integrada no cilindro.

Nota: Consulte o ponto 5.2 Ligação das entradas/saídas externas.

Unidade da bomba de calor exterior		Intervalo do caudal de água [L/min]
Modelo compacto	PUZ-WM50	6,5 - 14,3
	PUZ-WM60	8,6 - 17,2
	PUZ-WM85	10,8 - 24,4
	PUZ-WM112	14,4 - 32,1
	PUZ-HWM140	17,9 - 36,9
Modelo Split	SUZ-SWM40	6,5 - 11,4
	SUZ-SWM60	7,2 - 17,2
	SUZ-SWM80	7,8 - 21,5
	PUD-S(H)WM60	9,0 - 22,9
	PUD-S(H)WM80	9,0 - 22,9
	PUD-S(H)WM100	14,3 - 34,4
	PUD-S(H)WM120	14,3 - 34,4
	PUD-SHWM140	14,3 - 34,4
	PUHZ-FRP71	11,5 - 22,9
	PUHZ-SW75	10,2 - 22,9
	PUHZ-SW100	14,4 - 32,1
	PUHZ-SW120	20,1 - 36,9
	PUHZ-SHW80	10,2 - 22,9
	PUHZ-SHW112	14,4 - 32,1
	PUHZ-SHW140	17,9 - 36,9
	PUMY-P112	17,9 - 35,8
PUMY-P125	17,9 - 35,8	
PUMY-P140	17,9 - 35,8	

<Tabela 4.3.1>

* Se o caudal de água for inferior a 5,0 L/min, será activado o erro de caudal. Se o caudal de água for superior a 36,9 L/min (Série E**T20/30) ou 25,8 L/min (Série E**T17), a velocidade do caudal é superior a 2,0 m/s, o que pode causar a erosão dos tubos.

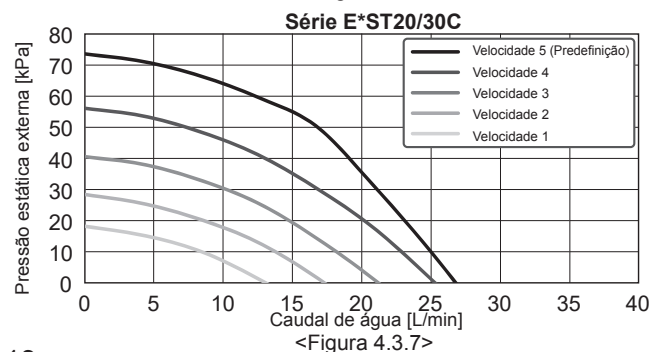
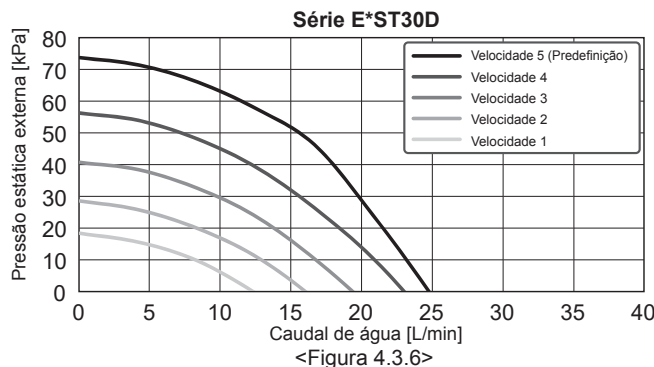
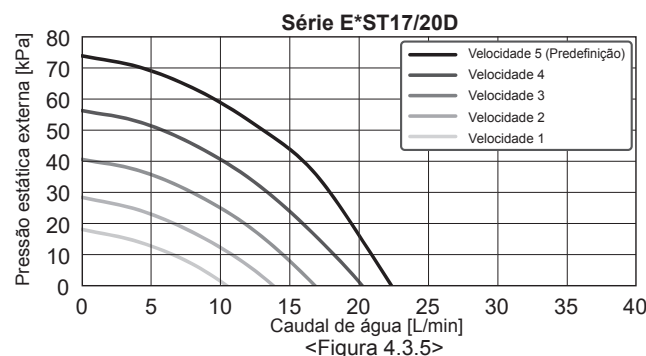
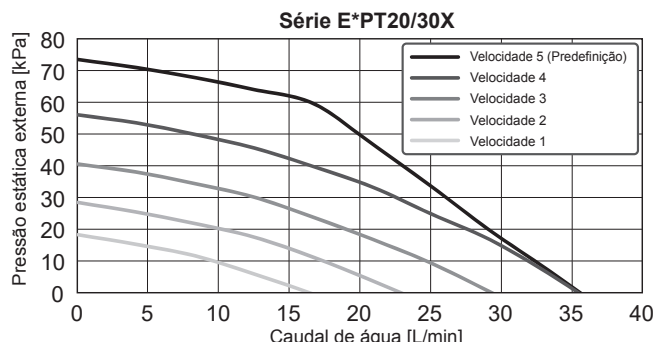
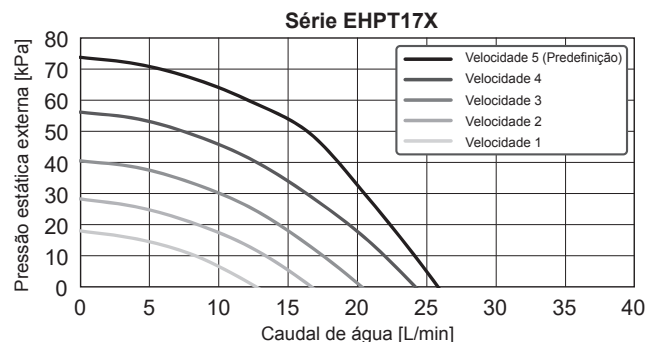
2. Circuito sanitário

Predefinição: Velocidade 2

A bomba de circulação de AQS DEVE ser definida para a velocidade 2.

Características da bomba de circulação de água

pt



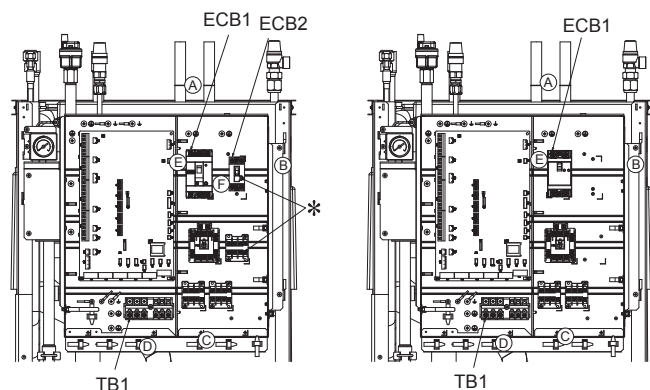
*Para a instalação da série E*PT, ajuste a velocidade da bomba com uma perda de pressão entre o cilindro e a unidade exterior configurada na pressão estática externa.

4 Instalação

4.4 Ligação eléctrica

Todos os trabalhos de electricidade devem ser realizados por um técnico adequadamente qualificado. A não observância desta recomendação pode causar choques eléctricos, incêndio e morte. Da mesma forma, também invalidará a garantia do produto. Toda a cablagem deve ser executada de acordo com os regulamentos nacionais.

Abreviatura do disjuntor	Descrição
ECB1	Disjuntor diferencial da resistência de aquecimento
ECB2	Disjuntor diferencial da resistência de imersão
TB1	Régua de terminais 1



<Alimentação monofásica (c/ resist. de imersão)> <Alimentação trifásica (sem resistência de imersão)>

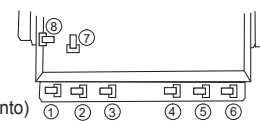
O cilindro pode ser alimentado de duas formas.

1. A partir da unidade exterior, através de um cabo de alimentação ligando a mesma ao cilindro.
2. O cilindro possui um circuito de alimentação independente.

As ligações devem ser efectuadas nos terminais indicados nas figuras seguintes, em função do número de fases da alimentação.

A resistência de aquecimento e a resistência de imersão devem ser ligadas de forma independente uma da outra a fontes de alimentação dedicadas.

- A cablagem de alimentação, disponibilizada localmente, deve ser inserida através dos passa-cabos situados na parte de cima do cilindro. (Consultar <Tabela 3.4>.)
- A cablagem deve correr ao longo do lado direito do quadro eléctrico e devidamente fixada, utilizando os grampos fornecidos.
- Os condutores devem, em seguida, ser inseridos no quadro eléctrico através dos passa-fios existentes na base do mesmo.
 - Condutor de saídas
 - Cabo de ligação unidade interior - unidade exterior
 - Cabo de alimentação (resistência de aquecimento)
 - Cabo de alimentação (resistência de imersão) (opcional)
 - Condutor de entrada de sinal
- Ligue o cabo de ligação unidade exterior - cilindro à régua de terminais TB1.
- Ligue o cabo de alimentação da resistência de aquecimento ao disjuntor ECB1.
- Caso seja utilizada uma resistência de imersão, ligue o respectivo cabo de alimentação ao disjuntor ECB2.



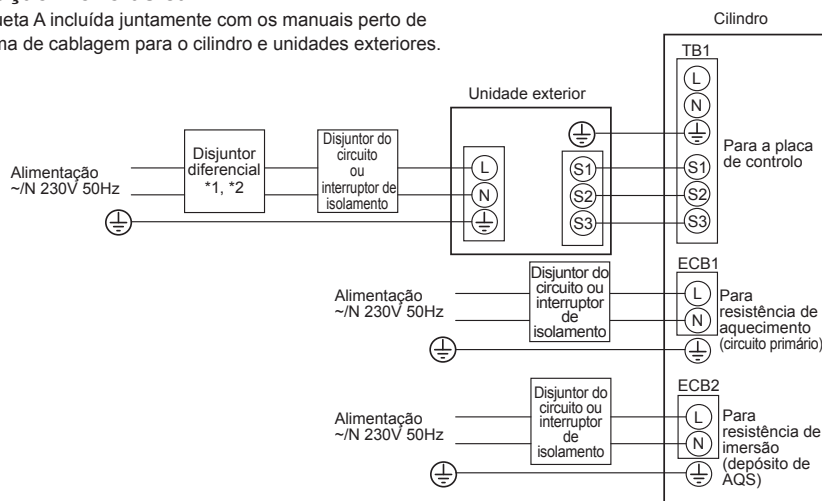
- Evite o contacto entre a cablagem e as peças (*).
- Certifique-se de que os disjuntores ECB1 e ECB2 estão LIGADOS.
- Quando terminar a ligação, certifique-se de que o cabo do cabo do controlador principal está ligado ao conector de libertação rápida.

Cilindro alimentado pela unidade exterior

(Se pretender utilizar uma fonte independente, aceda ao website da Mitsubishi.)

<Alimentação monofásica>

Afixar a etiqueta A incluída juntamente com os manuais perto de cada diagrama de cablagem para o cilindro e unidades exteriores.



- *1. Se o disjuntor diferencial do circuito de terra instalado não tiver uma função de protecção contra sobrecorrente, instale um disjuntor com essa função ao longo do mesmo cabo de alimentação.
- *2. Deve ser instalado um disjuntor com uma distância de separação de contacto em cada pólo de, pelo menos, 3,0 mm. Utilize um interruptor diferencial (NV). O disjuntor deve ser instalado para garantir o corte de todos os condutores de fase da alimentação.
- *3. Distância máxima de 45 m. Caso sejam utilizados condutores com uma secção 2,5 mm², distância máxima de 50 m. Caso sejam utilizados condutores com uma secção de 2,5 mm² e condutor S3 em separado, distância máxima de 80 m.
- *4. Os valores indicados na tabela anterior nem sempre são medidos relativamente à terra.

<Figura 4.4.1>

Ligações eléctricas para alimentação monofásica

Descrição	Alimentação	Potência	Disjuntor	Condutores
Resistência de aquecimento (circuito primário)	~N 230 V 50 Hz	2 kW	16 A *2	2,5 mm ²
		6 kW	32 A *2	6,0 mm ²
Resistência de imersão (depósito de AQS)	~N 230 V 50 Hz	3 kW	16 A *2	2,5 mm ²

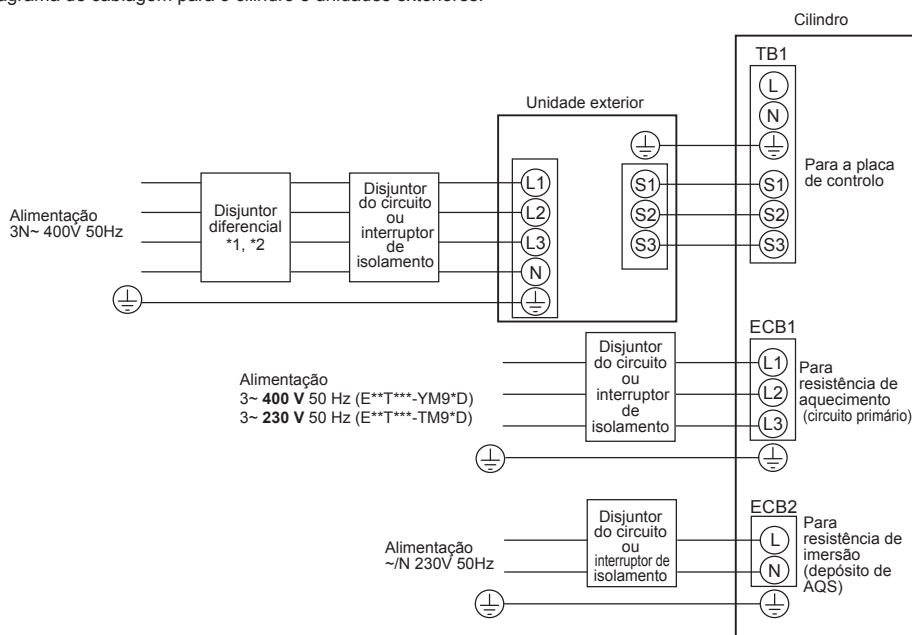
Cablagem Nº de condutores x secção (mm ²)	Cilindro - unidade exterior	*3	3 x 1,5 (por pólo)
	Cilindro - unidade exterior, condutor terra	*3	1 x 1,5 no mínimo
Voltagem nominal do circuito	Cilindro - unidade exterior, S1 - S2	*4	230 V CA
	Cilindro - unidade exterior, S2 - S3	*4	24 V CC

- Nota:**
1. As secções dos condutores têm de ser seleccionadas em conformidade com os regulamentos locais e nacionais.
 2. Os cabos de ligação entre a unidade interior e a unidade exterior não podem ser mais claros do que o cabo flexível revestido de policloropreno. (Norma 60245 IEC 57)
Os cabos de alimentação da unidade interior não podem ser mais claros do que o cabo flexível revestido de policloropreno. (Norma 60227 IEC 53)
 3. Instale um cabo de terra com um comprimento superior ao dos outros cabos.
 4. Mantenha capacidade de saída suficiente da fonte de alimentação para cada resistência. A ausência da capacidade da fonte de alimentação pode causar vibração.

4 Instalação

<Alimentação trifásica>

Afixar a etiqueta A incluída juntamente com os manuais perto de cada diagrama de cablagem para o cilindro e unidades exteriores.



<Figura 4.4.2>
Ligações eléctricas para alimentação trifásica

Descrição	Alimentação	Potência (ref ^a da unid. interior)	Disjuntor	Cablagem
Resistência de aquecimento (circuito primário)	3~ 400 V 50 Hz	9 kW	16 A *2	2,5 mm ²
	3~ 230 V 50 Hz	9 kW	32 A *2	6,0 mm ²
Resistência de imersão (depósito de AQS)	~N 230 V 50Hz	3 kW	16 A *2	2,5 mm ²

Cablagem Nº de condutores x secção (mm ²)	Cilindro - unidade exterior	*3	3 x 1,5 (por pólo)
	Cilindro - unidade exterior, condutor terra	*3	1 x 1,5 no mínimo
Voltagem nominal do circuito	Cilindro - unidade exterior, S1 - S2	*4	230 V CA
	Cilindro - unidade exterior, S2 - S3	*4	24 V CC

- *1. Se o disjuntor diferencial do circuito de terra instalado não tiver uma função de protecção contra sobrecorrente, instale um disjuntor com essa função ao longo do mesmo cabo de alimentação.
- *2. Deve ser instalado um disjuntor com uma distância de separação de contacto em cada pólo de, pelo menos, 3,0 mm. Utilize um interruptor diferencial (NV). O disjuntor deve ser instalado para garantir o corte de todos os condutores de fase da alimentação.
- *3. Distância máxima de 45 m
Caso sejam utilizados condutores com uma secção 2,5 mm², distância máxima de 50 m
Caso sejam utilizados condutores com uma secção de 2,5 mm² e condutor S3 em separado, distância máxima de 80 m
- *4. Os valores indicados na tabela anterior nem sempre são medidos relativamente à terra.

- Nota:**
- As secções dos condutores têm de ser seleccionadas em conformidade com os regulamentos locais e nacionais.
 - Os cabos de ligação entre a unidade interior e a unidade exterior não podem ser mais claros do que o cabo flexível revestido de policloropreno. (Norma 60245 IEC 57)
Os cabos de alimentação da unidade interior não podem ser mais claros do que o cabo flexível revestido de policloropreno. (Norma 60227 IEC 53)
 - Instale um cabo de terra com um comprimento superior ao dos outros cabos.
 - Mantenha capacidade de saída suficiente da fonte de alimentação para cada resistência. A ausência da capacidade da fonte de alimentação pode causar vibração.

5 Preparação do sistema

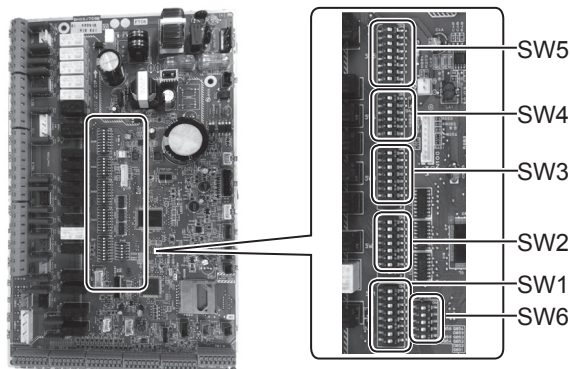
5.1 Funções dos micro-comutadores DIP

O número de cada micro-comutador DIP encontra-se impresso na placa de circuito, junto ao comutador a que diz respeito. A palavra ON (LIGAR) está impressa na placa de circuito e no próprio bloco do micro-comutador DIP. Para movimentar o comutador, necessita de utilizar um alfinete, o canto de uma régua metálica fina ou algo semelhante.

As configurações dos micro-comutadores DIP são apresentadas a seguir, na Tabela 5.1.1.

Apenas um técnico de instalação autorizado pode alterar a definição do comutador DIP, sob a exclusiva responsabilidade deste, de acordo com o estado da instalação.

Certifique-se de que desliga as fontes de alimentação da unidade interior e da unidade exterior antes de alterar as definições do comutador.



<Figura 5.1.1>

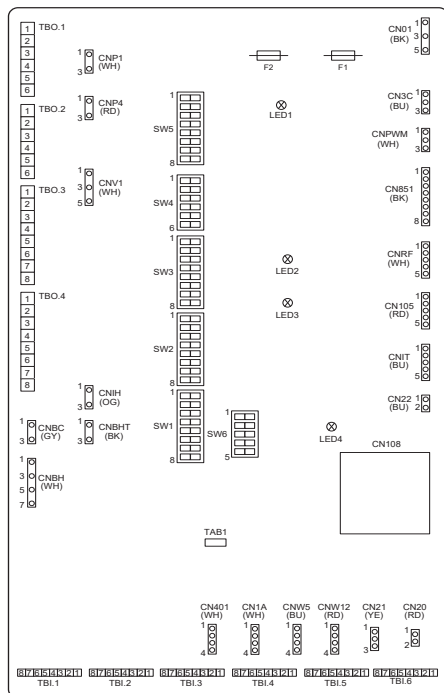
Micro-comutador DIP	Função	DESLIG.	LIG.	Programação predefinida: modelo da unidade interior			
SW1	SW1-1	Caldeira	SEM Caldeira	COM Caldeira	DESLIG.		
	SW1-2	Temperatura máxima da água de saída da bomba de calor	55 °C	60 °C	LIG.*1		
	SW1-3	Depósito de AQS	SEM depósito de AQS	COM depósito de AQS	LIG.		
	SW1-4	Resistência de imersão	SEM resistência de imersão	COM resistência de imersão	DESLIG.: excepto EHPT20X-MHEDW LIG.: EHPT20X-MHEDW		
	SW1-5	Resistência de aquecimento	SEM resistência de aquecimento	COM resistência de aquecimento	DESLIG.: E**T***-M*ED* LIG.: E**T***-M 2/6/9*D		
	SW1-6	Função da resistência de aquecimento	Apenas para aquecimento	Para aquecimento e AQS	DESLIG.: E**T***-M*ED* LIG.: E**T***-M 2/6/9*D		
	SW1-7	Tipo de unidade exterior	Tipo Split	Tipo Compacto	DESLIG.: E*ST***-M**D* LIG.: E*PT**X-*M**D*		
	SW1-8	Controlador remoto sem fios	SEM controlador remoto sem fios	COM controlador remoto sem fios	DESLIG.		
SW2	SW2-1	Alteração da lógica da entrada do termóstato da sala 1 (IN1)	Interrupção de funcionamento c/ termóstato fechado na Zona 1	Interrupção de funcionamento c/ termóstato aberto na Zona 1	DESLIG.		
	SW2-2	Inversão lógica da entrada (IN2) do fluxostato 1	Deteção da falha na posição curta	Deteção da falha na posição aberta	DESLIG.		
	SW2-3	Restrição do consumo da resistência de aquecimento	Inactiva	Activa	DESLIG.: excepto E**T***-VM2*D LIG.: E**T***-VM2*D		
	SW2-4	Função do modo de arrefecimento	Inactiva	Activa	DESLIG.: EH*T***-M**D* LIG.: ER*T***-M**D		
	SW2-5	Mudança automática para funcionamento apenas da fonte de calor (Quando a unidade exterior pára por erro)	Inactiva	Activa*2	DESLIG.		
	SW2-6	Depósito misturador	SEM depósito misturador	COM depósito misturador	DESLIG.		
	SW2-7	Controlo da temperatura de 2 zonas	Inactiva	Activa*6	DESLIG.		
	SW2-8	Sensor de fluxo	SEM sensor de fluxo	COM sensor de fluxo	LIG.		
SW3	SW3-1	Alteração da lógica da entrada (IN6) do termóstato da sala 2	Interrupção de funcionamento c/ termóstato fechado na Zona 2	Interrupção de funcionamento c/ termóstato aberto na Zona 2	DESLIG.		
	SW3-2	Inversão lógica da entrada (IN3) do fluxostato 2	Deteção da falha na posição curta	Deteção da falha na posição aberta	DESLIG.		
	SW3-3	Tipo de válvula de 3 vias	Motor CA	Motor de passo	DESLIG.: excepto E**T17X/17D/20D-*M**D* LIG.: E**T17X/17D/20D-*M**D		
	SW3-4	Contador energia eléctrica	SEM contador energia eléctrica	COM contador energia eléctrica	DESLIG.		
	SW3-5	Função do modo de aquecimento*3	Inactiva	Activa	LIG.		
	SW3-6	Controlo LIG./DESLIG. da válvula de 2 zonas	Inactiva	Activa	DESLIG.		
	SW3-7	Permutador de calor para AQS	Bobina no depósito	Placa externa HEX	LIG.		
	SW3-8	Contador de energia térmica	SEM contador de energia térmica	COM contador de energia térmica	DESLIG.		
SW4	SW4-1	—	—	—	DESLIG.		
	SW4-2	—	—	—	DESLIG.		
	SW4-3	—	—	—	DESLIG.		
	SW4-4	Funcionamento apenas da unidade interior (durante os trabalhos de instalação)*4	Inactiva	Activa	DESLIG.		
	SW4-5	Modo de emergência (funcionamento da resistência apenas)	Normal	Modo de emergência (funcionamento da resistência apenas)	DESLIG.*5		
	SW4-6	Modo de emergência (funcionamento da caldeira)	Normal	Modo de emergência (funcionamento da caldeira)	DESLIG.*5		
SW5	SW5-1	—	—	—	DESLIG.		
	SW5-2	Autoadaptação avançada	Inactiva	Activa	LIG.		
	SW5-3	Código da potência					
	SW5-4		SW5-3	SW5-4	SW5-5	SW5-6	SW5-7
	SW5-5	E**T**C-*M**D	ON	ON	ON	ON	OFF
	SW5-6	E**T**D-*M**D	ON	OFF	OFF	ON	OFF
	SW5-7	E**T**X-*M**D*	OFF	OFF	OFF	OFF	OFF
	SW5-8	—	—	—	—	—	DESLIG.
SW6	SW6-1	—	—	—	DESLIG.		
	SW6-2	—	—	—	DESLIG.		
	SW6-3	Sensor de pressão	Inaktiv		Aktiv	OFF: Ausgenommen E*ST**D-*M**D ON: E*ST**D-*M**D	
	SW6-4	Sinal de saída analógica (0-10 V)	Inactiva		Activa	DESLIG.	
	SW6-5	—	—	—	—	DESLIG.	

<Tabela 5.1.1>

- Nota:**
- *1. Quando o cilindro é ligado a uma unidade exterior PUMY-P cuja temperatura de água de saída máxima é de 55°C, o micro-comutador DIP SW1-2 deve ser mudado para DESLIGADO.
 - *2. Ficará disponível uma saída externa (OUT11). Por motivos de segurança, esta função não está disponível para determinados erros. (Nesse caso, o funcionamento do sistema tem de ser interrompido, ficando a funcionar apenas a bomba de circulação de água.)
 - *3. Este comutador funciona apenas quando o cilindro está ligado a uma unidade exterior PUIZ-FRP. Quando é ligado um outro tipo de unidade exterior, a função do modo de aquecimento fica activa independentemente de este comutador estar LIGADO ou DESLIGADO.
 - *4. O aquecimento de espaços e AQS só podem ser controlados na unidade interior, tal como uma resistência eléctrica. (Consulte 5.4, "Funcionamento apenas da unidade interior".)
 - *5. Se o modo de emergência deixar de ser necessário, coloque de novo o comutador na posição DESLIGADO.
 - *6. Activo apenas quando o micro-comutador SW3-6 está na posição DESLIGADO.

5 Preparação do sistema

5.2 Ligação das entradas/saídas



<Figura 5.2.1>

Especificação para cablagem e componentes fornecidos localmente

Item	Nome	Modelo e especificações
Função de entrada de sinal	Condutor de sinal	Utilize condutores ou cabos revestidos com vinil. Distância máxima de 30 m Tipo de condutores: CV, CVS ou equivalente Secção dos condutores: Condutores flexíveis de 0,13 mm ² a 0,52 mm ² Condutores rígidos: ø 0,4 mm a ø 0,8 mm
	Interruptor	Contactos de sinalização "a", livres de potencial Interruptor remoto: carga mínima aplicável de 1 mA a 12 VCC

Nota:

Os condutores flexíveis devem ser equipados com ponteiras isoladas (de tipo compatível com a norma DIN46228-4).

Entradas de sinal

Nome	Régua de terminais	Conector	Item	DESLIGAR (Aberta)	LIGAR (Curta)
IN1	TBI.1 7-8	—	Entrada do termóstato do ambiente 1 *1	Consulte SW2-1 em <5.1 Funções dos micro-comutadores DIP>.	
IN2	TBI.1 5-6	—	Entrada do fluxostato 1	Consulte SW2-2 em <5.1 Funções dos micro-comutadores DIP>.	
IN3	TBI.1 3-4	—	Entrada do fluxostato 2 (Zona 1)	Consulte SW3-2 em <5.1 Funções dos micro-comutadores DIP>.	
IN4	TBI.1 1-2	—	Entrada do controlo da utilização	Normal	Fonte de calor DESLIG./Operação Caldeira *3
IN5	TBI.2 7-8	—	Entrada do termóstato exterior *2	Funcionamento padrão	Funcionamento da resistência/funcionamento da caldeira *3
IN6	TBI.2 5-6	—	Entrada do termóstato do ambiente 2 *1	Consulte SW3-1 em <5.1 Funções dos micro-comutadores DIP>.	
IN7	TBI.2 3-4	—	Entrada do fluxostato 3 (Zona 2)	Consulte SW3-2 em <5.1 Funções dos micro-comutadores DIP>.	
IN8	TBI.3 7-8	—	Contador de energia eléctrica 1	*4	
IN9	TBI.3 5-6	—	Contador de energia eléctrica 2		
IN10	TBI.2 1-2	—	Contador de energia térmica		
IN11	TBI.3 3-4	—	Entrada da smart grid ready	*5	
IN12	TBI.3 1-2	—			
INA1	TBI.4 1-3	CN1A	Sensor de fluxo	—	—

*1. Defina o tempo do ciclo LIGAR/DESLIGAR do termóstato da sala para 10 minutos ou mais; caso contrário, o compressor pode ser danificado.

*2. Se for utilizado um termóstato de temperatura externa para controlar o funcionamento das resistências, a vida útil das resistências e partes relacionadas pode ser reduzida.

*3. Para activar o funcionamento da caldeira, utilize o controlador principal para escolher "Caldeira" no ecrã "Programação entrada externa" no menu de serviço.

*4. Contadores de energia eléctrica e energia térmica passíveis de serem ligados

- Tipo de impulso: Contacto livre de potencial para detecção de 12 VCC pelo FTC (O pino 1 TBI.2, pinos 5 e 7 TBI.3 têm uma voltagem positiva.)
- Duração do impulso: Tempo mínimo na posição LIG.: 40 ms
Tempo mínimo na posição DESLIG.: 100 ms
- Unidade possível do impulso: 0,1 impulso/kWh 1 impulso/kWh 10 impulsos/kWh
100 impulsos/kWh 1000 impulsos/kWh

Estes valores podem ser configurados pelo controlador principal. (Consulte a árvore do menu em, "Controlador principal".)

*5. Quanto à smart grid ready, consulte "5.5 Smart grid ready".

Entradas de termístores

Nome	Régua de terminais	Conector	Item	Modelo de peça opcional
TH1	—	CN20	Falha do termistor (Temp. amb.) (Opção)	PAC-SE41TS-E
TH2	—	CN21	Falha do termistor (Temp. líquido ref.)	—
THW1	—	CNW12 1-2	Termistor (Temp. água caudal)	—
THW2	—	CNW12 3-4	Termistor (Temp. água retorno)	—
THW5A	—	CNW5 1-2	Termistor (Temp. água superior do depósito AQS)	—
THW5B	—	CNW5 3-4	Termistor (Temp. água inferior do depósito AQS)	—
THW6	TBI.5 7-8	—	Termistor (Temp. água caudal da Zona 1) (Opção)*1	PAC-TH011-E
THW7	TBI.5 5-6	—	Termistor (Temp. água retorno da Zona 1) (Opção)*1	
THW8	TBI.5 3-4	—	Termistor (Temp. água caudal da Zona 2) (Opção)*1	PAC-TH011-E
THW9	TBI.5 1-2	—	Termistor (Temp. água retorno da Zona 2) (Opção)*1	
THWB1	TBI.6 7-8	—	Termistor (Temp. água caudal da caldeira) (Opção)*1	PAC-TH012HT-E(5 m/)
THW10	TBI.6 5-6	—	Termistor (Temp. água do depósito AQS) (Opção)*1	PAC-TH012HTL-E(30 m)

Certifique-se de que as cablagens dos termístores ficam afastadas da cablagem da rede de alimentação e/ou dos cabos ligados aos terminais OUT1 a 16.

*1. As cablagens de termístores devem ter um comprimento máximo de 30 m.

O comprimento dos cabos de termístores opcionais é de 5 m. Se necessitar de unir e prolongar os condutores, deve proceder de acordo com os pontos a seguir apresentados.

1) Ligue os condutores através de soldadura.

2) Isole cada ponto de ligação, de modo a ficar protegido contra poeiras e água. Os condutores flexíveis devem ser equipados com ponteiras isoladas (de tipo compatível com a norma DIN46228-4).

5 Preparação do sistema

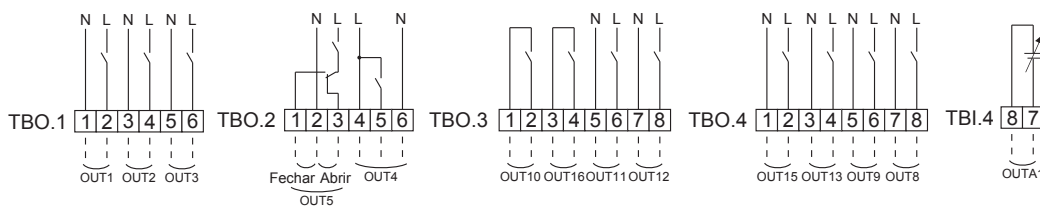
Saídas

Nome	Régua de terminais	Conector	Item	DESLIG.	LIG.	Sinal/corrente máx.	Corrente total máx.
OUT1	TBO.1 1-2	CNP1	Saída p/ bomba de circulação de água 1 (aquecimento/arrefecimento de espaços e AQS)	DESLIG.	LIG.	230 VCA, 1,0 A máx. (Corrente máx. de irrupção 40 A)	4,0 A (a)
OUT2	TBO.1 3-4	—	Saída p/ bomba de circulação de água 2 (aquecimento/arrefecimento de espaços para Zona 1)	DESLIG.	LIG.	230 VCA, 1,0 A máx. (Corrente máx. de irrupção 40 A)	
OUT3	TBO.1 5-6	—	Saída p/ bomba de circulação de água 3 (aquecimento/arrefecimento de espaços para Zona 2)*1 Saída 2b p/ válvula de 2 vias*2	DESLIG.	LIG.	230 VCA, 1,0 A máx. (Corrente máx. de irrupção 40 A)	
OUT14	—	CNP4	Saída p/ bomba de circulação de água 4 (aquecimento de espaços e AQS)	DESLIG.	LIG.	230 VCA, 1,0 A máx. (Corrente máx. de irrupção 40 A)	
OUT4	TBO.2 4-6	CNV1	Saída p/ válvula de 3 vias (válvula de 2 vias)	Aquecimento	AQS	230 VCA, 0,1 A máx.	3,0 A (b)
	—	CN851	Saída p/ válvula de 3 vias				
OUT5	TBO.2 1-2	—	Saída p/ válvula misturadora*1	Parar	Fechar	230 VCA, 0,1 A máx.	
	TBO.2 2-3				Abriu		
OUT6	—	CNBH 1-3	Saída p/ resistência de aquecimento 1	DESLIG.	LIG.	230 VCA, 0,5 A máx. (relé)	
OUT7	—	CNBH 5-7	Saída p/ resistência de aquecimento 2	DESLIG.	LIG.	230 VCA, 0,5 A máx. (relé)	
OUT8	TBO.4 7-8	—	Saída do sinal de arrefecimento	DESLIG.	LIG.	230 VCA, 0,5 A máx.	
OUT9	TBO.4 5-6	CNIH	Saída p/ resistência de imersão	DESLIG.	LIG.	230 VCA, 0,5 A máx. (relé)	
OUT11	TBO.3 5-6	—	Saída de sinalização de erro	Normal	Erro	230 VCA, 0,5 A máx.	
OUT12	TBO.3 7-8	—	Saída p/ descongelação	Normal	Descongelação	230 VCA, 0,5 A máx.	
OUT13	TBO.4 3-4	—	Saída 2a p/ válvula de 2 vias*2	DESLIG.	LIG.	230 VCA, 0,1 A máx.	
OUT15	TBO.4 1-2	—	Sinal comp LIG.	DESLIG.	LIG.	230 VCA, 0,5 A máx.	
OUT10	TBO.3 1-2	—	Saída p/ caldeira	DESLIG.	LIG.	contacto sem voltagem ·220 - 240 VAC (30 VCC) 0,5 A ou menos ·10 mA, 5 VCC ou mais	—
OUT16	TBO.3 3-4	—	Sinal termo LIGAR Aquecimento/Arrefecimento	DESLIG.	LIG.		
OUTA1	TBI.4 7-8	—	Saída analógica	0 - 10 V		0 - 10 V CC 5 mA máx.	—

Não ligue aos terminais que estão indicados como "—" no campo "Régua de terminais".

*1 Para controlo de temperatura de 2 zonas.

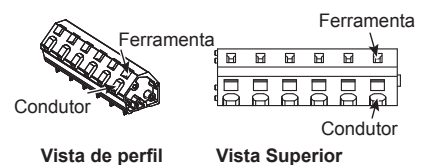
*2 Para controlo LIG./DESLIG. da válvula de 2 zonas.



Especificação para cablagem e componentes fornecidos localmente

Item	Nome	Modelo e especificações
Função de saída externa	Condutor de saídas	Utilize condutores ou cabos revestidos com vinil. Distância máxima de 30 m Tipo de condutores: CV, CVS ou equivalente Secção dos condutores: Condutores flexíveis de 0,25 mm ² a 1,5 mm ² Condutores rígidos: ø 0,57 mm a ø 1,2 mm

Como usar TBO.1 a 4



Ligue os condutores empregando uma das formas apresentadas acima.

<Figura 5.2.2>

Nota:

- Quando o cilindro é alimentado através da unidade exterior, a corrente total máxima de (a)+(b) é de 3,0 A.
- Não ligue várias bombas de circulação de água directamente a cada saída (OUT1, OUT2 e OUT3). Num tal caso, ligue-as através de relé(s).
- Não ligue as bombas de circulação de água a TBO.1 1-2 e CNP1 ao mesmo tempo.
- Ligue um dispositivo de absorção de pico a OUT10 (TBO.3 1-2), dependendo da carga no local.
- Os condutores flexíveis devem ser equipados com ponteiras isoladas (de tipo compatível com a norma DIN46228-4).
- Utilize o mesmo que o condutor de entrada de sinal para a cablagem OUTA1.

5.3 Cablagem para controlo da temperatura de 2 zonas

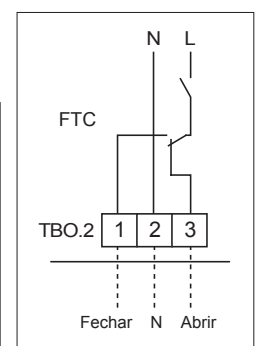
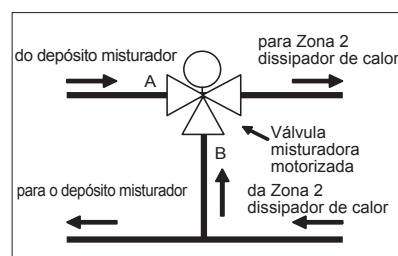
Ligue as tubagens e os componentes fornecidos localmente de acordo com o diagrama do circuito do "Sistema local" apresentado na Secção 3 deste manual.

<Válvula misturadora>

Ligue a linha de entrada para abrir a Porta A (porta de entrada da água quente) para TBO. 2-3 (Abriu), a linha de entrada para abrir a Porta B (porta de entrada da água fria) para TBO. 2-1 (Fechar), e o condutor de terminal neutro para TBO. 2-2 (N).

<Termistor>

- Não instale os termistores no depósito misturador.
- Instale o termistor temp. caudal Zona2 (THW8) perto da válvula misturadora.
- O comprimento máximo da cablagem do termistor é 30 m.
- O comprimento dos cabos de termistores opcionais é de 5 m. Se necessitar de unir e prolongar os condutores, deve proceder de acordo com os pontos a seguir apresentados.
 - Ligue os condutores através de soldadura.
 - Isole cada ponto de ligação, de modo a ficar protegido contra poeiras e água.



5 Preparação do sistema

5.4 Funcionamento apenas da unidade interior (durante trabalhos de instalação)

No caso de ser necessário utilizar as AQS ou o aquecimento antes da ligação da unidade exterior, isto é, durante os trabalhos de instalação, pode ser utilizada uma resistência eléctrica na unidade interior (*1).

*1 Apenas modelos equipados com resistência eléctrica.

1. Para iniciar o funcionamento

- Verifique se a alimentação da unidade interior está DESLIGADA e coloque os micro-comutadores DIP 4-4 e 4-5 na posição LIGADO.
- LIGUE a alimentação da unidade interior.

2. Para parar o funcionamento *2

- DESLIGUE a alimentação da unidade interior.
 - Coloque os micro-comutadores DIP 4-4 e 4-5 na posição DESLIGADO.
- *2 Uma vez terminado o funcionamento apenas com a unidade interior, certifique-se de que verifica as configurações depois da unidade exterior estar ligada.

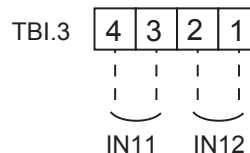
Nota:

A utilização prolongada deste método de funcionamento pode afectar a vida útil da resistência eléctrica.

5.5 Smart grid ready

No modo AQS ou modo de aquecimento, podem ser usados os comandos na tabela abaixo.

IN11	IN12	Significado
DESLIGAR (aberta)	DESLIGAR (aberta)	Operação normal
LIGAR (curta)	DESLIGAR (aberta)	Recomendação de ligação
DESLIGAR (aberta)	LIGAR (curta)	Comando de desconexão
LIGAR (curta)	LIGAR (curta)	Comando de ligação



5.6 Utilização do cartão de memória SD

O cilindro está equipado com uma interface de cartão de memória SD no FTC.

Um cartão de memória SD pode simplificar as definições do controlador principal e guardar registos de funcionamento. *1

*1 Para editar as definições do controlador principal ou para verificar os dados de funcionamento, é necessária uma ferramenta de serviço Ecodan (para uso com o PC).

<Precauções de manuseamento>

- (1) Utilize um cartão de memória SD em conformidade com as normas SD. Verifique se o cartão de memória SD tem um logótipo igual a um dos mostrados ao lado.
- (2) Os cartões de memória SD segundo as normas SD incluem os cartões de memória SD, SDHC, mini SD, micro SD e micro SDHC. As capacidades estão disponíveis até 32 GB. Escolha a que tiver a temperatura máxima admissível de 55°C.
- (3) Quando o cartão de memória SD é um cartão de memória mini SD, mini SDHC, micro SD ou micro SDHC, utilize um adaptador de conversão de cartões de memória SD.
- (4) Antes de gravar no cartão de memória SD, solte o interruptor de protecção contra escrita.



- (5) Antes de inserir ou ejectar um cartão de memória SD, certifique-se de que desliga o sistema da corrente. Se um cartão de memória SD for inserido ou ejectado com o sistema ligado à corrente, os dados guardados podem ficar corrompidos ou o cartão de memória SD danificado.
*Um cartão de memória SD mantém-se ligado durante algum tempo depois de o sistema ser desligado. Antes da inserção ou ejeção, aguarde até as lâmpadas LED na placa de controlo do FTC estarem todas apagadas.
- (6) As operações de leitura e gravação foram verificadas utilizando os seguintes cartões de memória SD, contudo, estas operações nem sempre estão garantidas dada a possibilidade de alteração das especificações destes cartões de memória SD.

- (7) Certifique-se de que segue a instrução e o requisito do fabricante do cartão de memória SD.
- (8) Formate o cartão de memória SD se este for determinado como ilegível no passo (6). Isto pode torná-lo legível. Descarregue um formatador de cartão de memória SD a partir do seguinte site.
Página inicial da SD Association: <https://www.sdcard.org/home/>
- (9) O FTC suporta o sistema de ficheiros FAT mas não o sistema de ficheiros NTFS.
- (10) A Mitsubishi Electric não é responsável por danos, na totalidade ou em parte, incluindo falha de gravação num cartão de memória SD, e corrupção e perda dos dados guardados, ou afins. Crie cópias de segurança dos dados guardados conforme necessário.
- (11) Não toque em quaisquer peças electrónicas na placa de controlo do FTC ao inserir ou ejectar um cartão de memória SD; possibilidade de falha da placa de controlo.

Logótipos
Capacidades
2 GB a 32 GB *2
Classes de velocidade SD
Todas

- O logótipo SD é uma marca comercial da SD-3C, LLC.
- O logótipo mini SD é uma marca comercial da SD-3C, LLC.
- O logótipo micro SD é uma marca comercial da SD-3C, LLC.

*2 Um cartão de memória SD de 2 GB guarda até 30 dias de registos de funcionamento.

Fabricante	Modelo	Testado em
Verbatim	#44015	Mar. 2012
SanDisk	SDSDB-002G-B35	Out. 2011
Panasonic	RP-SDP04GE1K	Out. 2011
Arvato	2GB PS8032 TSB 24nm MLC	Jun. 2012
Arvato	2GB PS8035 TSB A19nm MLC	Jul. 2014
SanDisk	SDSDUN-008G-G46	Out. 2016
Verbatim	#43961	Out. 2016
Verbatim	#44018	Out. 2016
VANTASTEK	VSDHC08	Set. 2017

Antes de utilizar um novo cartão de memória SD (incluindo o cartão que vem com a unidade), verifique sempre se o cartão de memória SD pode ser lido e gravado em segurança pelo controlador do FTC.

<Como verificar as operações de leitura e gravação>

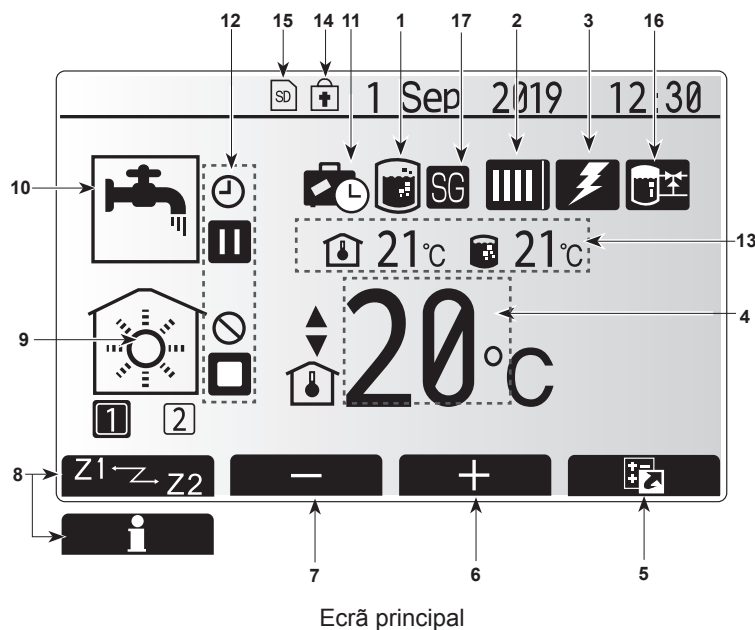
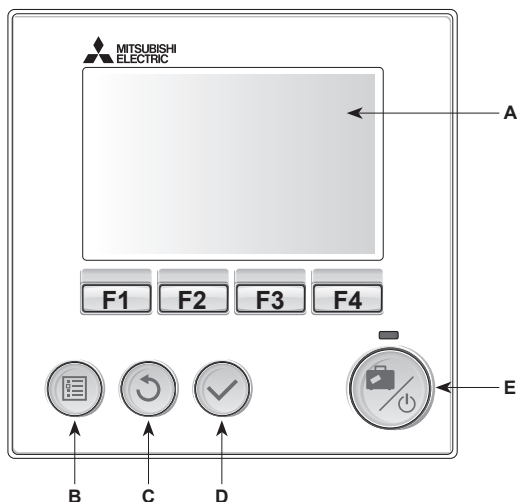
- a) Verifique a cablagem correcta da fonte de alimentação do sistema. Para mais detalhes, consulte a secção 4.5.
(Não ligue o sistema à corrente nesta altura.)
- b) Insira um cartão de memória SD.
- c) Ligue o sistema à corrente.
- d) A lâmpada do LED4 acende-se se as operações de leitura e gravação forem realizadas sem problemas. Se a lâmpada do LED4 continuar a piscar ou não se acender, o cartão de memória SD não pode ser lido ou gravado pelo controlador do FTC.

5 Preparação do sistema

5.7 Controlador principal

Para alterar as definições do sistema de aquecimento/arrefecimento, utilize o controlador remoto principal situado no painel frontal do cilindro ou permutador de calor. Abaixo, encontra-se um guia para visualizar as definições principais. Caso necessite de mais informações, contacte o instalador ou distribuidor Mitsubishi Electric local.

O modo de arrefecimento está disponível apenas para a série ERS. No entanto, o modo de aquecimento não está disponível quando a unidade interior está ligada a PUIZ-FRP.



Ecrã principal

<Partes do controlador principal>

Letra	Nome	Função
A	Ecrã	Ecrã no qual são apresentadas todas as informações.
B	Menu	Permite o acesso às configurações do sistema, para proceder aos ajustes iniciais e efectuar alterações.
C	Retroceder	Regressar ao menu anterior.
D	Confirmar	Utilizado para seleccionar ou guardar. (Tecla Enter)
E	Alimentação/ Férias	Se o sistema estiver desligado, premindo este botão, uma vez, activa o sistema. Premindo novamente, estando o sistema ligado, activa o modo férias. Mantendo o botão premido durante 3 segundos desliga o sistema. (*1)
F1-4	Teclas de função	Utilizadas para percorrer o menu e ajustar valores. A função é determinada pela janela do menu visível do ecrã A.

*1

Quando o sistema é desligado ou a fonte de alimentação é desactivada, as funções de protecção do cilindro (por exemplo, estado função descongelamento) NÃO funcionam. Tenha em conta que, sem estas funções de segurança em funcionamento, o cilindro pode sofrer danos.

<Ícones do ecrã principal>

Ícone	Descrição
1	Prevenção de legionela Quando este ícone é apresentado, o "Modo prevenção legionela" está activo.
2	Bomba de calor A "bomba de calor" está a funcionar. Descongelamento. Aquecimento de emergência. O "Modo silencioso" é ativado.
3	Resistência eléctrica Quando este ícone é apresentado, as "Resistências eléctricas" (resistência de aquecimento ou imersão) estão em funcionamento.
4	Temperatura pretendida Temperatura do caudal pretendida Temperatura espaço pretendida Curva de compensação
5	OPÇÃO Premindo o botão de função situado por baixo deste ícone faz apresentar o ecrã de opções.
6	+ Aumentar a temperatura pretendida.
7	- Diminuir a temperatura pretendida.
8	Z1 Z2 Premindo o botão de função situado por baixo deste ícone faz comutar entre Zona 1 e Zona 2. Informação Premindo o botão de função situado por baixo deste ícone faz apresentar a janela de informações.
9	Modo de aquecimento/ arrefecimento de espaços Modo de aquecimento Zona 1 ou Zona 2 Modo de arrefecimento Zona 1 ou Zona 2
10	Modo AQS Normal ou modo ECO
11	Modo férias Quando este ícone é apresentado, o "Modo férias" está activo.
12	Cronometrista Proibido Controlo do servidor Espera Espera (*2) Parar Pôr em funcionamento
13	Temperatura actual Temperatura actual do espaço Temperatura actual da água do depósito de AQS
14	O botão "Menu" está bloqueado ou a comutação entre os modos de funcionamento AQS e de aquecimento está desactivada no ecrã "Opção".(*3)
15	O cartão de memória SD está inserido. Operação normal. O cartão de memória SD está inserido. Operação anormal.
16	Controlo do depósito de reserva Quando este ícone é apresentado, o "Controlo do depósito de reserva" está activo.
17	Smart grid ready Quando este ícone é apresentado, a "Smart grid ready" está activa.

*2 Esta unidade está em espera enquanto outra(s) unidade(s) interior(es) estão em funcionamento prioritário.

*3 Para bloquear ou desbloquear o menu, prima simultaneamente as teclas RETROCEDER e CONFIRMAR durante 3 segundos.

5 Preparação do sistema

■ [Assist. definições iniciais]

Quando o controlador principal é ligado pela primeira vez, o ecrã apresenta automaticamente o ecrã de definição da Língua, ecrã de definição Data/Hora e o ecrã do menu Definições principais por ordem. Insira o número pretendido utilizando as teclas de função e prima CONFIRMAR.

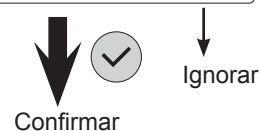
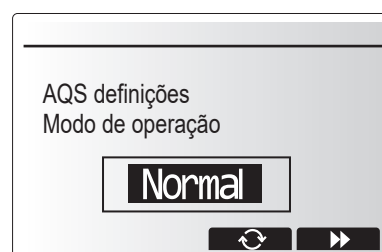
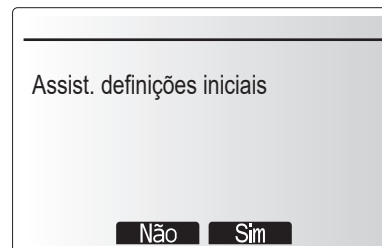
Nota:

<RESTRIÇÃO CAPACIDADE AQUEC.>

Esta definição restringe a potência da resistência de aquecimento. NÃO é possível alterar a definição após a ativação.

Se não tiver requisitos especiais (tais como regulamentos de construção) no seu país, ignore esta definição (selecione "Não").

- [Água quente(AQS/Legionela)]
- [Aquecimento]/[Arrefecimento]
- [Modo de operação (ON/proibido/cronometrista)]
- [Velocidade da bomba]
- [Gama de caudais da BC]
- [Controlo válvula misturadora]
- [RESTRIÇÃO CAPACIDADE AQUEC.]



■ Menu de configurações principais

O menu de configurações principais pode ser acedido premindo o botão MENU. Para reduzir o risco de utilizadores finais, sem a formação adequada, alterarem acidentalmente as configurações, existem dois níveis de acesso às configurações principais e o menu destinado à manutenção é protegido por password.

Nível para utilizadores - pressão curta

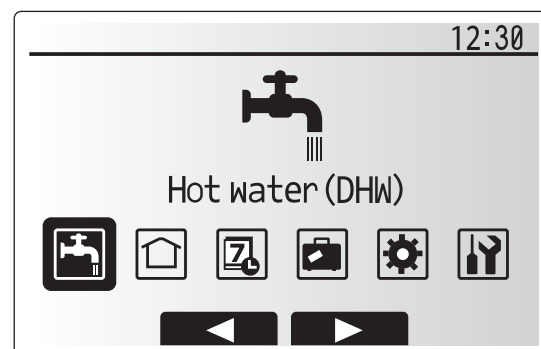
Se o botão MENU for premido uma vez durante um breve instante, as configurações principais são apresentadas mas sem a função que permite editar as mesmas. Isto permite ao utilizador visualizar as configurações actuais mas **NÃO** permite alterar os parâmetros.

Nível para instaladores - pressão longa

Se o botão MENU for premido durante 3 segundos, as configurações principais são apresentadas com todas as funcionalidades disponíveis. A cor dos botões ◀▶ é invertida de acordo com a figura à direita. <Figura 5.7.1>

Os itens seguintes podem ser visualizados e/ou editados (dependendo do nível de acesso).

- [Águas quentes sanitárias (AQS)]
- [Aquecimento/arrefecimento]
- [Relógio]
- [Modo férias]
- [Programação inicial]
- [Manutenção (protegido por password)]



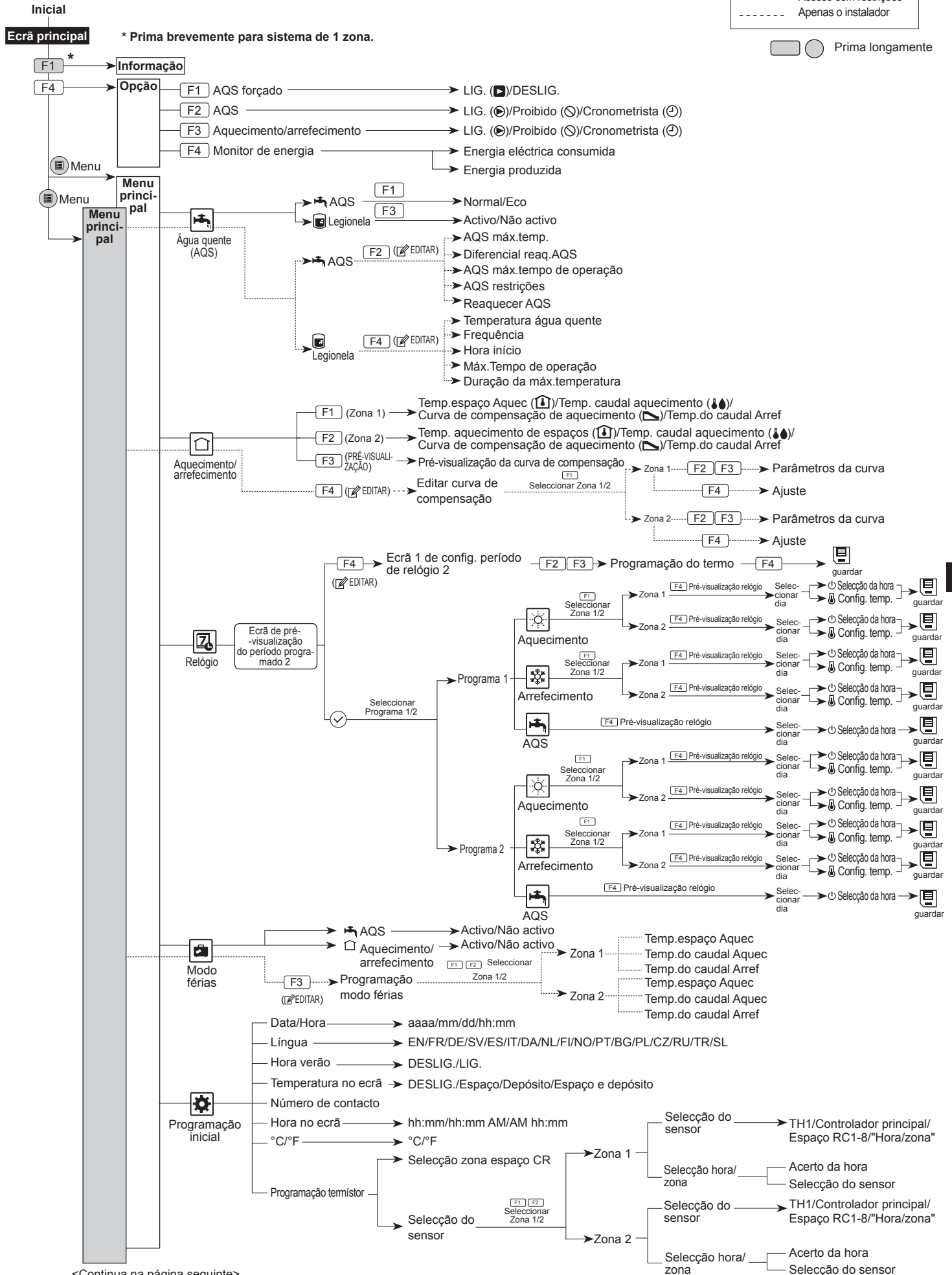
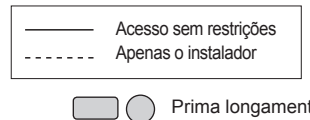
Menu principal



<Figura 5.7.1>

5 Preparação do sistema

<Árvore de menus do controlador principal>

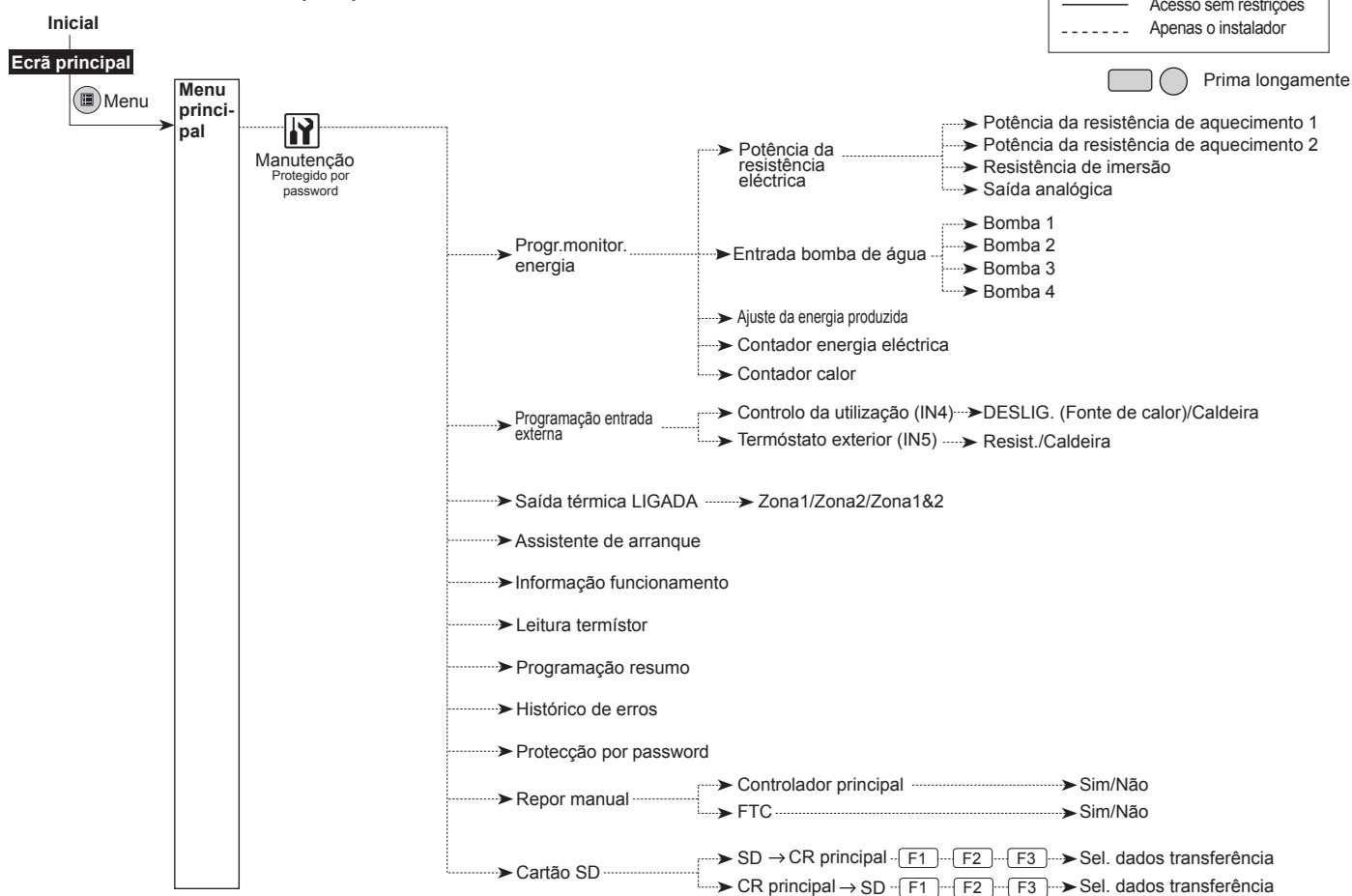


<Continua na página seguinte>

5 Preparação do sistema

<Continuação da página anterior>

<Árvore de menus do controlador principal>



Águas quentes sanitárias (AQS)/Prevenção de legionela

Os menus de águas quentes sanitárias e de prevenção de legionela controlam o funcionamento do aquecimento do depósito de água quente sanitária.

<AQS programação>

1. Realce o ícone de água quente e prima CONFIRMAR.
2. Utilize o botão F1 para alternar entre os modos de aquecimento Normal e ECO.
3. Para editar o modo, prima o botão MENU durante 3 segundos e, em seguida, seleccione "água quente".
4. Prima F2 para visualizar o menu PROGRAMAÇÃO ÁGUA QUENTE (AQS).
5. Utilize as teclas F2 e F3 para percorrer o menu, podendo seleccionar um componente de cada vez premindo CONFIRMAR. Consulte, na tabela seguinte, as descrições de cada uma das configurações possíveis.
6. Introduza o número pretendido, utilizando as teclas de função e prima CONFIRMAR.



Subtítulo do menu	Função	Função	Unidade	Valor predefinido
AQS máx.temp.	A temperatura pretendida para a água quente armazenada	40 - 60	°C	50
Diferencial de reaquecimento AQS	Diferencial de temperatura entre a AQS máx.temperatura e a temperatura na qual o modo AQS se inicia	5 - 30 *	°C	10
AQS máx.tempo de operação	Tempo máximo permitido para o modo AQS de aquecimento da água armazenada	30 - 120	min	60
AQS restrições	O período de tempo após o modo AQS, quando o aquecimento de espaços tem prioridade sobre o modo AQS, impedindo temporariamente o aquecimento adicional da água armazenada (Apenas depois do AQS máx.tempo de operação ter terminado.)	30 - 120	min	30

* Quando a temp. máx AQS é definida acima de 55°C, a temperatura à qual o modo AQS reinicia tem de ser inferior a 50°C para proteger o dispositivo.

<Modo Eco>

O modo AQS pode funcionar como modo "Normal" ou "ECO". O modo Normal aquece a água no depósito de AQS mais rapidamente, ao utilizar a potência total da bomba de calor. O modo ECO demora mais algum tempo a aquecer o cilindro mas diminui a energia utilizada. Isto deve-se ao facto de o funcionamento da bomba de calor ser restrito ao utilizar sinais do FTC baseados na temperatura medida do depósito de AQS.

Nota: A energia real poupada no modo Eco varia em função da temperatura exterior.

<[Reaquecer AQS]>

Selecione a quantidade de AQS. Se necessitar de muita água quente, seleccione GRANDE, bu aumentar os custos de utilização.

Regresse ao menu de AQS/prevenção de legionela.

5 Preparação do sistema

Configurações do modo prevenção legionela (Modo PL)

1. Utilize o botão F3 para activar/desactivar o modo de prevenção de legionela (PL), seleccionando SIM/NÃO.
2. Para editar a função de prevenção de legionela, prima o botão MENU durante 3 segundos, seleccione "água quente" e, em seguida, prima a tecla F4.
3. Utilize as teclas F1 e F2 para percorrer o menu, podendo seleccionar um subtítulo de cada vez, premindo CONFIRMAR. Consulte, na tabela seguinte, as descrições de cada uma das configurações possíveis.
4. Introduza o número pretendido, utilizando as teclas de função e prima CONFIRMAR.

Durante o modo de prevenção da Legionella, a temperatura da água armazenada é aumentada acima dos 60°C para inibir o crescimento da bactéria Legionella. Recomenda-se vivamente que esta operação seja executada a intervalos regulares. Consulte os regulamentos locais para obter informações sobre a frequência recomendada para os períodos de sobreaquecimento.

Tenha em atenção que o modo PL recorre à utilização de resistências eléctricas de aquecimento para suplementar a entrada de energia da bomba de calor. aquecimento da água durante longos períodos de tempo não é eficiente e faz aumentar os custos de utilização. O instalador deve prestar uma atenção cuidada ao equilíbrio entre o tratamento necessário para prevenção de legionela e o consumo de energia, não desperdiçando energia através do aquecimento da água armazenada durante períodos de tempo excessivos. O utilizador final deve compreender a importância desta funcionalidade.

ASSEGURE SEMPRE O CUMPRIMENTO DAS DIRECTIVAS LOCAIS E NACIONAIS EM VIGOR NO SEU PAÍS RELATIVAS À PREVENÇÃO DA LEGIONELA.

Nota: Quando ocorrem avarias no permutador de calor, o modo PL pode não funcionar normalmente.

Subtítulo do menu	Função	Função	Unidade	Valor predefinido
Temperatura água quente	A temperatura pretendida para a água quente armazenada	60-70	°C	65
Frequência	Período decorrido entre os sobreaquecimentos do depósito no modo PL	1-30	dia	15
Hora início	Hora de início do modo PL	0:00-23:00	-	03:00
Máx. Tempo de operação	Tempo máximo permitido para aquecimento do depósito no modo PL	1-5	horas	3
Duração da máx. temperatura	O período de tempo após atingir a temp. de água pretendida do modo LP	1-120	min	30

[Programação inicial]

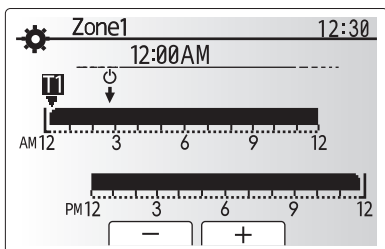
No menu "Programação inicial", o instalador pode ajustar o seguinte.

- [Data/hora] *Certifique-se de que acerta para a hora local padrão.
- [Língua]
- [Hora de Verão]
- [Temperatura no ecrã]
- [Número de contacto]
- [Hora no ecrã]
- [°C/°F]
- [Programação do termistor]

Siga o procedimento descrito em "Funcionamento geral" para configurar o funcionamento.

<[Programação termistor]>

Para a programação do termistor, é importante escolher o termistor correcto dependendo do modo de aquecimento no qual o sistema funcionará.



Ecrã de programação Hora/Zona

Subtítulo do menu	Descrição																				
Seleção zona espaço CR	Quando o controlo de temperatura de 2 zonas está activo e os controladores remotos sem fios estão disponíveis, no ecrã "Seleção zona espaço CR", seleccione o n.º de zona a atribuir a cada controlador remoto.																				
Seleção do sensor	No ecrã "Seleção do sensor", seleccione um sensor a ser utilizado para a monitorização da temperatura ambiente a partir da Zona 1 e da Zona 2 em separado. <table border="1" style="width: 100%; margin-top: 10px;"> <thead> <tr> <th rowspan="2">Opção de controlo (manual no website)</th> <th colspan="2">Sensor das configurações iniciais correspondentes</th> </tr> <tr> <th>Zona 1</th> <th>Zona 2</th> </tr> </thead> <tbody> <tr> <td>A</td> <td>Espaço CR1-8 (um para cada Zona 1 e Zona 2)</td> <td>*1</td> </tr> <tr> <td>B</td> <td>TH1</td> <td>*1</td> </tr> <tr> <td>C</td> <td>Controlador principal</td> <td>*1</td> </tr> <tr> <td>D</td> <td>*1</td> <td>*1</td> </tr> <tr> <td>Quando são utilizados sensores da temperatura ambiente diferentes, de acordo com a programação horária</td> <td>Hora/zona*2</td> <td>*1</td> </tr> </tbody> </table>	Opção de controlo (manual no website)	Sensor das configurações iniciais correspondentes		Zona 1	Zona 2	A	Espaço CR1-8 (um para cada Zona 1 e Zona 2)	*1	B	TH1	*1	C	Controlador principal	*1	D	*1	*1	Quando são utilizados sensores da temperatura ambiente diferentes, de acordo com a programação horária	Hora/zona*2	*1
Opção de controlo (manual no website)	Sensor das configurações iniciais correspondentes																				
	Zona 1	Zona 2																			
A	Espaço CR1-8 (um para cada Zona 1 e Zona 2)	*1																			
B	TH1	*1																			
C	Controlador principal	*1																			
D	*1	*1																			
Quando são utilizados sensores da temperatura ambiente diferentes, de acordo com a programação horária	Hora/zona*2	*1																			

- *1. Não especificado (no caso da utilização de um termóstato fornecido localmente)
Espaço CR 1-8 (um para cada Zona 1 e Zona 2) (no caso de ser utilizado um controlador remoto sem fios como termóstato da sala)
- *2. No ecrã "Seleção do sensor", seleccione "Hora/zona" para possibilitar a utilização de diferentes sensores de acordo com a programação definida no menu "Seleção de hora/zona". Os sensores podem ser ligados até 4 vezes no espaço de 24 horas.

[Menu de Manutenção]

O menu de manutenção dispõe de funções que se destinam a ser utilizadas pelo instalador ou pelo técnico de manutenção. NÃO se pretende que ESTE menu seja utilizado pelo proprietário da habitação para alterar configurações. Por este motivo, é protegido por password, para impedir o acesso não autorizado às configurações da manutenção.

A password predefinida é "0000".

Siga o procedimento descrito em "Funcionamento geral" para configurar o funcionamento.

Muitas funções não podem ser configuradas enquanto a unidade interior estiver em funcionamento. O instalador deve desligar a unidade antes de proceder à programação destas funções. Caso o instalador tente alterar as configurações com a unidade em funcionamento, o controlador principal exibe uma mensagem de aviso, solicitando ao instalador que desligue a unidade antes de prosseguir. Se seleccionar "Yes (Sim)", a unidade é desligada.

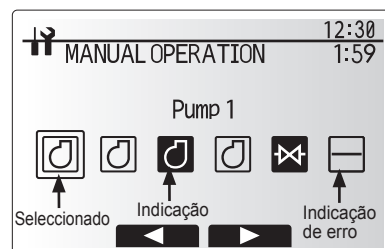
<[Operação manual]>

Durante o enchimento do sistema, a bomba de circulação do circuito primário e a válvula de 3 vias podem ser manualmente desativadas utilizando o modo de funcionamento manual.

Quando é seleccionado o funcionamento manual, aparece um ícone de temporizador pequeno no ecrã. Quando seleccionada, esta função só se manterá no modo de funcionamento manual por um máximo de 2 horas. Isto impede a desativação acidental permanente do FTC.

► Exemplo

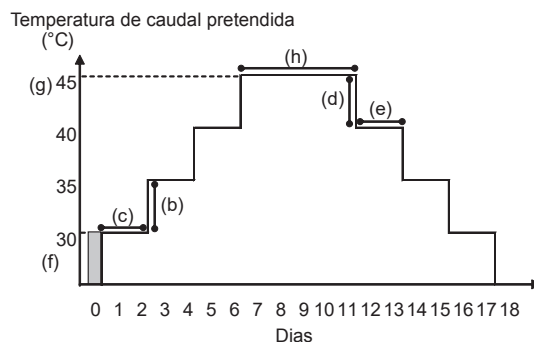
Premir o botão F3 alterna o modo de funcionamento manual LIG. para a válvula de 3 vias. Quando o enchimento do depósito de AQS estiver terminado, o instalador deve aceder de novo a este menu e premir F3 para desativar o funcionamento manual da parte. Como alternativa, após 2 horas, o modo de funcionamento manual deixa de estar ativo e o FTC pode retomar o controlo do cilindro.



Ecrã do menu de funcionamento manual

5 Preparação do sistema

Não é possível seleccionar a programação operacional manual e da fonte de calor se o sistema se encontrar em funcionamento. É apresentado um ecrã que pede ao instalador para desligar o sistema antes da activação destes modos. O sistema pára automaticamente 2 horas após a última operação.



- Esta função não está disponível quando existe uma unidade exterior PUAZ-FRP ligada.
- Desligue a cablagem para as entradas externas do termostato ambiente, controlo de utilização e termostato exterior ou a temperatura de caudal pretendida pode não ser mantida.

<[Função de secagem pavimento]>

A função de secagem pavimento muda automaticamente a temperatura pretendida de água quente em fases, para secar gradualmente o betão quando este tipo específico de sistema de aquecimento por pavimento radiante está instalado.

Quando terminar o funcionamento, o sistema pára todas as operações excepto a função de descongelação.

Para a função de secagem pavimento, a temperatura de caudal pretendida da Zona 1 é igual à da Zona 2.

Funções	Símbolo	Descrição	Opção/Intervalo	Unidade	Predefinição
Função de secagem pavimento	a	Ajuste a função para LIGADA e ligue o sistema através do controlador principal; o funcionamento no modo de aquecimento de secagem terá início.	Ligado/Desligado	—	Desligado
Temperatura caudal (aumentar)	b	Ajusta o passo de aumento da temperatura de caudal pretendida.	+1 - +10	°C	+5
	c	Ajusta o período durante o qual é mantida a mesma temperatura de caudal pretendida.	1 - 7	dia	2
Temp. caudal (diminuir)	d	Ajusta o passo de diminuição da temperatura de caudal pretendida.	-1 - -10	°C	-5
	e	Ajusta o período durante o qual é mantida a mesma temperatura de caudal pretendida.	1 - 7	dia	2
Temperatura pretendida	f	Ajusta a temperatura de caudal pretendida no início e no fim do funcionamento.	20 - 60	°C	30
	g	Ajusta a temperatura de caudal máxima pretendida.	20 - 60	°C	45
	h	Ajusta o período durante o qual é mantida a temperatura de caudal máxima pretendida.	1 - 20	dia	5

<[Password de protecção]>

A password de protecção destina-se a impedir o acesso não autorizado ao menu da manutenção por parte de pessoas sem a devida formação.

Reposição da password

Caso se esqueça da password que introduziu, ou tenha que intervir numa unidade instalada por outra pessoa, pode efectuar a reposição da password para o valor predefinido de fábrica **0000**.

1. No menu de controlo principal, percorra as funções até realçar "Menu de manutenção".
2. Prima CONFIRMAR.
3. Ser-lhe-á solicitado que introduza uma password.
4. Mantenha premidos os botões F3 e F4, simultaneamente, durante 3 segundos.
5. Ser-lhe-á perguntado se pretende continuar e efectuar a reposição da password para o valor predefinido de fábrica.
6. Para efectuar a reposição, prima o botão F3.
7. A password fica configurada para **0000**.

<[Repor manual]>

Caso pretenda restaurar as configurações de fábrica numa dada ocasião, deve utilizar a função de reposição manual. Tenha em atenção que esta opção efectua a reposição de TODAS as funções para os valores predefinidos de fábrica.



Ecrã de introdução da password



Ecrã de verificação da password

6 Arranque

■ Ensaios pré-arranque - circuito portátil/AQS

Procedimento de enchimento inicial:

Certifique-se de que todas as uniões e ligações das tubagens estão firmemente apertadas.

Abra a torneira/saída do circuito de AQS situada a maior distância.

Lentamente/gradualmente, abra a rede de abastecimento de água para começar a encher a unidade e as tubagens de AQS.

Deixe correr livremente a água pela torneira mais distante e retire/purgue o ar residual da instalação.

Feche a torneira/saída para carregar completamente o sistema.

Nota: se estiver instalada uma resistência de imersão, NÃO ligue a mesma antes de o depósito de AQS estar completamente cheio de água. De igual forma, NÃO ligue nenhuma resistência de imersão se estiverem presentes produtos químicos de esterilização no depósito de AQS, dado tal poder resultar na avaria prematura da resistência.

Procedimento de lavagem inicial:

Ligue o sistema para aquecer a água contida no cilindro até uma temperatura aproximada de 30 - 40°C.

Lave/drene toda a água, de modo a remover eventuais resíduos/impurezas resultantes dos trabalhos de instalação. Utilize a torneira de drenagem do cilindro para drenar de forma segura a água aquecida através de uma mangueira adequada.

Uma vez concluída a drenagem, feche a torneira de drenagem, volte a encher o sistema e proceda à ligação do sistema.

7 Assistência técnica e manutenção

■ Códigos de erro

Código	Erro	Acção
L3	Protecção de sobreaquecimento da temperatura da água de circulação	O caudal de água pode ser reduzido; verifique: <ul style="list-style-type: none"> • Se existem fugas de água • Se o filtro está entupido • O funcionamento da bomba de circulação de água (este código de erro pode ser apresentado durante o enchimento do circuito primário; conclua o enchimento e efectue a reposição do código de erro.)
L4	Protecção de sobreaquecimento da temperatura da água no depósito de AQS	Verifique a resistência de imersão e respectivo contactor.
L5	Falha do termistor da temperatura da unidade interior (THW1, THW2, THW5A, THW5B, THW6, THW7, THW8, THW9)	Verifique a resistência do termistor.
L6	Protecção anti-congelamento da água de circulação	Consulte as acções recomendadas para o erro L3.
L8	Falha (aquecimento)	Verifique e volte a encaixar todos os termistores que se tenham soltado.
L9	Deteção pelo sensor de fluxo ou fluxostato (fluxostatos 1, 2, 3) de caudal de água baixo no circuito primário.	Consulte as acções recomendadas para o erro L3. Se o sensor de fluxo ou fluxostato não estiver a funcionar, substitua-o. Cuidado: as válvulas da bomba podem estar quentes, tenha cuidado.
LA	Avaria do sensor de pressão	Verifique se o cabo do sensor de pressão apresenta danos ou ligações soltas.
LB	Protecção contra pressão alta	<ul style="list-style-type: none"> • O caudal de água do circuito de aquecimento pode estar reduzido. Verifique o circuito de água. • O permutador de calor de placas poderá estar obstruído. Verifique o permutador de calor de placas. • Avaria da unidade exterior. Consulte o manual de assistência técnica da unidade exterior.
LC	Protecção de sobreaquecimento da temperatura da água de circulação da caldeira	Verifique se a temperatura definida da Caldeira para aquecimento excede a restrição. (Consulte o manual dos termistores "PAC-TH012HT-E") O caudal de água do circuito de aquecimento da caldeira pode estar reduzido. Verifique <ul style="list-style-type: none"> • se existem fugas de água, • se o filtro está entupido, • a função da bomba de circulação de água.
LD	Avaria do termistor da temperatura da caldeira (THWB1)	Verifique a resistência do termistor.
LE	Erro de funcionamento da caldeira	Consulte as acções recomendadas para o erro L8. Verifique o estado da caldeira.
LF	Avaria do sensor de fluxo	Verifique se o cabo do sensor de fluxo apresenta danos ou ligações soltas.
LH	Protecção anti-congelamento da água de circulação da caldeira	O caudal de água do circuito de aquecimento da caldeira pode estar reduzido. Verifique <ul style="list-style-type: none"> • se existem fugas de água, • se o filtro está entupido, • a função da bomba de circulação de água.
LJ	Erro de funcionamento AQS (tipo de placa externa HEX)	<ul style="list-style-type: none"> • Verifique se o termistor de temperatura inferior da água do depósito AQS (THW5B) está desligado. • O caudal de água do circuito sanitário pode estar reduzido. • Verifique o funcionamento da bomba de circulação de água. (primário/sanitário)
LL	Erros de definição dos comutadores DIP na placa de controlo FTC	Para o funcionamento da caldeira, verifique se o DIP SW1-1 está ajustado para ON (Com Caldeira) e se o DIP SW2-6 está ajustado para ON (Com Depósito Misturador). Para o controlo da temperatura de 2 zonas, verifique se o DIP SW2-7 está ajustado para ON (2 zonas) e se o DIP SW2-6 está ajustado para ON (Com Depósito Misturador).
LP	Fora do intervalo do caudal de água para unidade da bomba de calor exterior	Verifique a instalação Tabela 4.3.1 Verifique as definições do controlador remoto (Menu Manutenção/Gama de caudais da BC) Consulte as acções recomendadas para o erro L3.
P1	Falha do termistor (Temp. amb.) (TH1)	Verifique a resistência do termistor.
P2	Falha do termistor (Temp. líquido ref.) (TH2)	Verifique a resistência do termistor.
P6	Protecção anti-congelamento do permutador de calor de placas	Consulte as acções recomendadas para o erro L3. Verifique a presença de quantidade correcta de refrigerante.
J0	Falha de transmissão de sinal entre o FTC e o receptor sem fios	Verifique se o cabo de ligação apresenta danos ou ligações soltas.
J1 - J8	Falha de comunicação entre o receptor sem fios e controlador remoto sem fios	Verifique se a pilha do controlador remoto sem fios não está descarregada. Verifique o emparelhamento entre o receptor sem fios e o controlador remoto sem fios. Teste a comunicação sem fios. (Consulte o manual do sistema sem fios)
E0 - E5	Falha de comunicação entre o controlador principal e o FTC	Verifique se o cabo de ligação apresenta danos ou ligações soltas.
E6 - EF	Falha de transmissão de sinal entre o FTC e a unidade exterior	Verifique se a unidade exterior não foi desligada. Verifique se o cabo de ligação apresenta danos ou ligações soltas. Consulte o manual de assistência técnica da unidade exterior.
E9	A unidade exterior não recebe nenhum sinal da unidade interior.	Verifique se ambas as unidades estão ligadas. Verifique se o cabo de ligação apresenta danos ou ligações soltas. Consulte o manual de assistência técnica da unidade exterior.
EE	Erro de combinação entre o FTC e a unidade exterior	Verifique a combinação do FTC e da unidade exterior.
U*, F*	Avaria da unidade exterior	Consulte o manual de assistência técnica da unidade exterior.
A*	Erro de comunicação do M-NET	Consulte o manual de assistência técnica da unidade exterior.

Nota: Para cancelar os códigos de erro, desligue o sistema (prima o botão F4 (REPOSIÇÃO), no controlador principal).

7 Assistência técnica e manutenção

■ Manutenção anual

É essencial que o cilindro seja submetido a manutenção pelo menos uma vez por ano por um técnico qualificado. As peças necessárias devem ser adquiridas junto da Mitsubishi Electric. NUNCA anule os dispositivos de segurança nem utilize a unidade sem que os mesmos estejam perfeitamente operacionais. Para obter mais informações, consulte o Manual de Manutenção.

Nota

- Cerca de dois meses após a instalação, retire e limpe o filtro do cilindro, mais qualquer outro instalado externamente no cilindro. Isto é especialmente importante quando a unidade é instalada num sistema de tubagem antigo/existente.
- A válvula VDP e a válvula T&P (N.º 8, 20 e 21 na Figura 3.1) deve ser verificada anualmente rodando manualmente o manipulador para que o material seja descarregado, limpando assim a base de vedação.

Além da manutenção anual, é necessário substituir ou inspecionar algumas partes após um período específico de funcionamento do sistema. Consulte as tabelas abaixo para obter instruções pormenorizadas. A substituição e inspeção das peças devem ser sempre efectuadas por uma pessoa competente, com formação e qualificações relevantes.

Peças que necessitam de substituição habitual

Peças	Substituir todos os	Falhas possíveis
Válvula de descarga de pressão Manómetro Grupo de controlo da entrada*	6 anos	Fuga de água

* PEÇAS OPCIONAIS para o RU

Peças que necessitam de inspeção habitual

Peças	Verificar todos os	Falhas possíveis
Válvula de descarga de pressão (3 bar) Válvula de regulação de temperatura e descarga de pressão	1 ano (rodar o manipulador manualmente)	A VDP estaria fixa e o vaso de expansão reberitaria
Resistência de imersão	2 anos	A fuga de terra causa a activação do disjuntor do circuito (a resistência está sempre desligada)
Bomba de circulação de água (Circuito primário)	20.000 horas (3 anos)	Falha da bomba de circulação de água

Peças que NÃO podem ser reutilizadas aquando da manutenção

* Junta circular

* Vedante

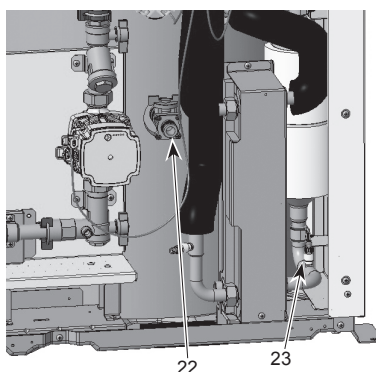
Nota

- Substitua sempre a junta para a bomba por uma nova em cada manutenção regular (todas as 20.000 horas de utilização ou de 3 em 3 anos).

<Drenagem do cilindro e do circuito de aquecimento sanitário (local)>

AVISO: A ÁGUA DRENADA PODE ESTAR MUITO QUENTE

1. Antes de tentar drenar o cilindro, isole-o da alimentação elétrica, por forma a impedir que as resistências de imersão e aquecimento queimem.
2. Isole o circuito de fornecimento de água fria ao depósito de AQS.
3. Abra uma torneira de água quente para permitir a drenagem sem criar vácuo.
4. Ligue uma mangueira às torneiras de drenagem do depósito de AQS (N.º 22 e 23 na Figura 7.1). A mangueira deve ser compatível com líquidos quentes, dado a água a drenar poder estar bastante quente. A mangueira deve efetuar a drenagem para um local situado a um nível mais baixo do que o fundo do depósito de AQS, de modo a facilitar a drenagem. Comece a drenar abrindo a torneira de drenagem.
5. Uma vez vazio o depósito de AQS, feche a torneira de drenagem e a torneira de água quente.
6. Para o circuito primário, ligue a mangueira às torneiras de drenagem do circuito de água (N.º 6 na Figura 3.1). A mangueira deve ser compatível com líquidos quentes, dado a água a drenar poder estar bastante quente. A mangueira deve efetuar a drenagem para um local situado a um nível mais baixo do que a torneira de drenagem, de modo a facilitar a drenagem. Abra as válvulas da bomba e as válvulas do filtro.
7. Mantém-se água no filtro mesmo depois de o cilindro ter sido drenado.
Drene o filtro retirando a cobertura do filtro.



<Figura 7.1>

7 Assistência técnica e manutenção

Fichas técnicas

Caso as definições sejam alteradas relativamente à predefinição, introduza a nova definição na coluna "Programação local". Isto vai facilitar a reinicialização no futuro caso mude a utilização do sistema ou caso a placa do circuito tenha de ser substituída.

Ficha de registo de configurações de arranque/locais

Ecrã do controlador principal		Parâmetros	Programação predefinida	Programação local	Notas	
Principal	Temp.espaço Aquec Zona1	10°C - 30°C	20°C			
	Tem. Amb. em Aquec. Zona2 *12	10°C - 30°C	20°C			
	Temp.do caudal Aquec Zona1	20°C - 60°C	45°C			
	Temp.do caudal Aquec Zona2 *1	20°C - 60°C	35°C			
	Temp.do caudal Arref Zona1 *13	5°C - 25°C	15°C			
	Temp.do caudal Arref Zona2 *13	5°C - 25°C	20°C			
	Curva de compensação de aquecimento Zona1	-9°C - + 9°C	0°C			
	Curva de compensação de aquecimento Zona2 *1	-9°C - + 9°C	0°C			
	Modo férias	Ativo/Não ativo/Ajustar hora	—			
	Opção	Funcionamento AQS forçado	Lig./Deslig.	—		
AQS		Lig./Deslig./Cronometrista	Lig.			
Aquecimento/Arrefecimento *13		Lig./Deslig./Cronometrista	Lig.			
Monitor de energia		Energia elétrica consumida/Energia produzida	—			
Programação	AQS	Modo de funcionamento	Normal/Eco *15	Normal		
		AQS Temp. máx.	40°C - 60°C *2	50°C		
		Queda AQS Temp.	5°C - 30°C	10°C		
		AQS máx.tempo de operação	30 - 120 min	60 min		
		AQS restrições	30 - 120 min	30 min		
		Reaquecer AQS	Grande/Normal	Normal		
		Prevenção de legionela	Ativa	Sim/Não	Sim	
	Temperatura água quente		60°C - 70°C *2	65°C		
	Frequência		1 - 30 dias	15 dias		
	Hora início		00:00 - 23:00	03:00		
	Tempo máx. de funcionamento		1 - 5 horas	3 horas		
	Duração da temp. máxima		1 - 120 min	30 min		
	Aquecimento/Arrefecimento *13		Modo de funcionamento Zona1	Tem. Amb. em Aquec./ Temp.do caudal Aquec/ Curva de compensação de aquecimento/Temp.do caudal Arref	Temp. ambiente	
		Modo de funcionamento Zona2 *1	Tem. Amb. em Aquec./ Temp.do caudal Aquec/ Curva de compensação de aquecimento/Temp.do caudal Arref	Curva de compensação		
	Curva de compensação	Ponto de ajuste máx. temp. caudal	Temp.ambiente exterior Zona1	-30°C - +33°C *3	-15°C	
			Temp. caudal Zona1	20°C - 60°C	50°C	
			Temp. ambiente exterior Zona2 *1	-30°C - +33°C *3	-15°C	
			Temp. caudal Zona2 *1	20°C - 60°C	40°C	
		Ponto de ajuste mín. temp. caudal	Temp.ambiente exterior Zona1	-28°C - +35°C *4	35°C	
			Temp. caudal Zona1	20°C - 60°C	25°C	
			Temp. ambiente exterior Zona2 *1	-28°C - +35°C *4	35°C	
			Temp. caudal Zona2 *1	20°C - 60°C	25°C	
		Ajuste	Temp.ambiente exterior Zona1	-29°C - +34°C *5	—	
			Temp. caudal Zona1	20°C - 60°C	—	
	Férias	AQS	Ativo/Não ativo	Não ativo		
		Aquecimento/Arrefecimento *13	Ativo/Não ativo	Ativa		
		Temp.espaço Aquec Zona1	10°C - 30°C	15°C		
		Tem. Amb. em Aquec. Zona2 *12	10°C - 30°C	15°C		
		Temp.do caudal Aquec Zona1	20°C - 60°C	35°C		
		Temp.do caudal Aquec Zona2 *1	20°C - 60°C	25°C		
Temp.do caudal Arref Zona1 *13		5°C - 25°C	25°C			
Temp.do caudal Arref Zona2 *13		5°C - 25°C	25°C			
Programação inicial		Língua	EN/FR/DE/SV/ES/IT/DA/NL/FI/NO/PT/BG/PL/CZ/RU/TR/SL	EN		
		°C/°F	°C/°F	°C		
	Hora verão	Lig./Deslig.	Deslig.			
	Temperatura no ecrã	Ambiente/Depósito AQS/Ambiente e depósito AQS/Deslig.	Deslig.			
	Hora no ecrã	hh:mm/ hh:mm AM/AM hh:mm	hh:mm			
	Programação termistor para Zona1	TH1/Comando 1/EspaçoCR1-8/"Hora/zona"	TH1			
	Programação termistor para Zona2*1	TH1/Comando 1/EspaçoCR1-8/"Hora/zona"	TH1			
	Seleção zona espaço CR*1	Zona1/Zona2	Zona1			
	Menu manutenção	Ajuste termistor	THW1	-10°C - +10°C	0°C	
			THW2	-10°C - +10°C	0°C	
THW5A			-10°C - +10°C	0°C		
THW5B			-10°C - +10°C	0°C		
THW6			-10°C - +10°C	0°C		
THW7			-10°C - +10°C	0°C		
THW8			-10°C - +10°C	0°C		
THW9			-10°C - +10°C	0°C		
THW10			-10°C - +10°C	0°C		
THWB1			-10°C - +10°C	0°C		
Programação auxiliar		Programação económica bomba	Lig./Deslig.*6	Lig.		
		Atraso (3 - 60 min)		10 min		
		Resistência elétrica (Aquecimento)	Aquecimento de espaços: Lig. (utilizado)/ Deslig. (não utilizado)	Lig.		
		Temporizador de atraso da resistência elétrica (5 - 180 min)		30 min		
		Resistência elétrica (AQS)	AQS: Lig. (utilizado)/ Deslig. (não utilizado)	Lig.		
		Resistência de imersão	AQS: Lig. (utilizado)/ Deslig. (não utilizado)	Lig.		
		Temporizador de atraso da resistência elétrica (15 - 30 min)		15 min		
		Controlo válvula misturadora	Tempo de funcionamento (10 - 240 seg)	120 seg		
		Intervalo (1 - 30 min)		2 min		
		Sensor de fluxo *17	Mínimo (0 - 100 L/min)	5 L/min		
Máximo (0 - 100 L/min)		100 L/min				
Saída analógica	Intervalo (1 - 30 min)		5 min			
	Priorida. (Normal/Alta)		Normal			

(Continua na página seguinte.)

7 Assistência técnica e manutenção

Fichas técnicas

Ficha de registo de programação de arranque/local (continuação da página anterior)

Ecrã do controlador principal			Parâmetros		Programação predefinida	Programação local	Notas				
Programação	Menu manutenção	Velocidade da bomba	AQS	Velocidade da bomba (1 - 5)		5					
			Aquecimento/Arrefecimento	Velocidade da bomba (1 - 5)		5					
		Programação da fonte de calor			Normal/Resist./Caldeira/Híbrido*7		Normal				
		Parâmetro da bomba de calor	Gama de caudais da BC		Mínimo (0 - 100 L/min)	5 L/min					
			Modo silencioso		Máximo (0 - 100 L/min)	100 L/min					
		Progr.oper.	Operação de aquecimento *8	Limites temp.do caudal *10	Dia (Seg - Dom)		—				
					Hora		0:00 - 23:45				
				Nível de silêncio (Normal/Nível 1/Nível 2)		Normal					
			Intervalo controlo temp. *14	Temp. mínima (20 - 45°C)		30°C					
				Temp. máxima (35 - 60°C)		50°C					
			Ajuste diferença térmica da bomba de calor	Modo (Normal/Poderoso)		Normal					
				Intervalo (10 - 60 min)		10 min					
				Lig./Deslig.*6		Lig.					
			Limite inferior (-9 - -1°C)		-5°C						
			Limite superior (+3 - +5°C)		5°C						
		Estado função descongelação *11			Temp. ambiente exterior (3 - 20°C) / **		5°C				
		Operação simultânea (AQS/Aquec.)			Lig./Deslig.*6		Deslig.				
		Temp. ambiente exterior (-30 - +10°C) *3			-15°C						
		Função Clima frio			Lig./Deslig.*6		Deslig.				
		Temp. ambiente exterior (-30 - -10°C) *3			-15°C						
		Funcionamento caldeira			Programação híbrido		Temp. ambiente exterior (-30 - +10°C) *3	-15°C			
					Modo prioritário (Ambiente/Custo/CO ₂) *16		Ambiente				
					Aumento da temp. ambiente exterior (+1 - +5°C)		+3°C				
		Programação inteligente			Preço da energia *9	Eletricidade (0,001 - 999 */kWh)	0,5*/kWh				
						Caldeira (0,001 - 999 */kWh)	0,5*/kWh				
					Emissão de CO ₂	Eletricidade (0,001 - 999 kg -CO ₂ /kWh)	0,5 kg -CO ₂ /kWh				
						Caldeira (0,001 - 999 kg -CO ₂ /kWh)	0,5 kg -CO ₂ /kWh				
					Fonte de calor	Potência da bomba de calor (1 - 40 kW)		11,2 kW			
						Eficiência da caldeira (25 - 150%)		80%			
						Potência resist. aquec.1 (0 - 30 kW)		2 kW			
		Potência resist. aquec.2 (0 - 30 kW)		4 kW							
		Smart grid ready			AQS		Lig./Deslig.	Deslig.			
					Temperatura pretendida (+1- +20°C) / -- (Não ativo)		--				
					Aquecimento			Lig./Deslig.		Deslig.	
								Temperatura pretendida	Recomendação de ligação (20 - 60°C)	50°C	
							Comando de ligação (20 - 60°C)	55°C			
					Arrefecimento			Lig./Deslig.		Deslig.	
								Temperatura pretendida	Recomendação de ligação (5 - 25°C)	15°C	
							Comando de ligação (5 - 25°C)	10°C			
		Ciclos func. do circulador			Aquec. (Lig./Deslig.)		Lig.				
Arref. (Lig./Deslig.)					Lig.						
Função de secagem pavimento			Intervalo (10 - 120 min)		10 min						
			Lig./Deslig.*6			Deslig.					
						Temperatura pretendida		Início e fim (20 - 60°C)	30°C		
								Temperatura máxima (20 - 60°C)	45°C		
					Período à temp. máx. (1 - 20 dias)	5 dias					
			Temp. do caudal (Aumentar)			Passo aumento temperatura (+1 - +10°C)		+5°C			
						Intervalo do aumento (1 - 7 dias)		2 dias			
			Temp. do caudal (Diminuir)			Passo diminuição temperatura (-1 - -10°C)		-5°C			
Intervalo da diminuição (1 - 7 dias)		2 dias									
Modo verão			Lig./Deslig.		Deslig.						
			Temp. ambiente exterior		Aquec. LIGADO (4-19°C)		10°C				
					Aquec. DESLIGADO (5-20°C)		15°C				
			Momento de avaliação		Aquec. LIGADO (1-48 horas)		6 horas				
					Aquec. DESLIGADO (1-48 horas)		6 horas				
Aquecimento forçado LIGADO (-30 - 10°C)			5°C								
Controlo caudal de água			Lig./Deslig.		Deslig.						

(Continua na página seguinte.)

7 Assistência técnica e manutenção

Fichas técnicas

Ficha de registo de programação de arranque/local (continuação da página anterior)

Ecrã do controlador principal				Parâmetros		Programação predefinida	Programação local	Notas
Menu manutenção	Programação do monitor energia	Potência resist. elétrica	Potência resist. aquec.1	0 - 30 kW	2 kW			
			Potência resist. aquec.2	0 - 30 kW	4 kW			
			Potência resist. de imersão	0 - 30 kW	0 kW			
			Saída analógica	0 - 30 kW	0 kW			
		Ajuste da energia produzida		-50 - +50%	0%			
		Entrada bomba de água	Bomba 1	0 - 200 W ou ***(bomba instalada de fábrica)	***			
			Bomba 2	0 - 200 W	0 W			
			Bomba 3	0 - 200 W	0 W			
			Bomba 4	0 - 200 W	72 W			
		Contador energia elétrica		0,1/1/10/100/1000 impulsos/kWh	1 impulso/kWh			
		Contador de energia térmica		0,1/1/10/100/1000 impulsos/kWh	1 impulso/kWh			
		Programação entrada externa	Controlo da utilização (IN4)		Fonte de calor DESLIG./Funcionamento caldeira	Funcionamento caldeira		
			Termostato exterior (IN5)		Funcionamento resistência/Funcionamento caldeira	Funcionamento caldeira		
		Saída térmica LIGADA		Zona1/Zona2/Zona1&2	Zona1&2			

*1 As definições relacionadas com a Zona 2 só podem ser ligadas quando o controlo da temperatura da Zona 2 estiver ativado (DIP SW2-6 e SW2-7 na posição LIG.).

*2 Nos modelos sem resistência de aquecimento nem resistência de imersão, consoante a temperatura exterior, é possível que não seja atingida a temperatura configurada.

*3 O limite inferior é -15°C, dependendo da unidade exterior ligada.

*4 O limite inferior é -13°C, dependendo da unidade exterior ligada.

*5 O limite inferior é -14°C, dependendo da unidade exterior ligada.

*6 Lig.: a função está ativa; Deslig.: a função está inativa.

*7 Quando o DIP SW1-1 está ajustado para DESLIG. "SEM Caldeira" ou o SW2-6 está ajustado para DESLIG. "SEM Depósito misturador", não é possível seleccionar "Caldeira" nem "Híbrido".

*8 Válido apenas quando o sistema funciona no modo de controlo da temperatura ambiente.

*9 *** de "*/kWh" representa unidade de moeda (p. ex., € ou £ ou afim)

*10 Válido apenas quando o sistema funciona no modo de temperatura de aquecimento de espaços.

*11 Se escolher (**), a função de descongelação é desativada. (ou seja, existe o risco de congelação do circuito de água primário)

*12 As definições relacionadas com a Zona 2 só podem ser ligadas quando o controlo da temperatura de 2 zonas ou o controlo LIG./DESLIG. da válvula de 2 zonas estiverem ativados.

*13 As definições do modo de arrefecimento estão disponíveis apenas para o modelo ER.

*14 Quando o DIP SW5-2 é ajustado para OFF (desligado), a função fica ativa.

*15 Quando o cilindro é ligado a uma unidade exterior PUMY-P, o modo é fixado para "Normal".

*16 Quando o cilindro é ligado a uma unidade exterior PUMY-P, o modo é fixado para "Ambient" (Ambiente).

*17 Não altere a configuração dado que esta foi escolhida em conformidade com as especificações do sensor de fluxo montado no cilindro.

1. Sikkerhedsmeddelelser 2

2. Introduktion..... 3

3. Teknisk information..... 4

4. Installation..... 10

 4.1 Placering 10

 4.2 Vandkvalitet og systemklargøring 11

 4.3 Vandrørsarbejde..... 11

 4.4 Elektrisk tilslutning 14

5. Systemopsætning 16

 5.1 DIP-kontaktfunktioner 16

 5.2 Tilslutning af indgange/udgange..... 17

 5.3 Ledningsføring til 2-zonetemperaturkontrol 18

 5.4 Brug af indendørsenheden alene
 (under installationsarbejde)..... 19

 5.5 Smart net klar 19

 5.6 Brug af SD-kort 19

 5.7 Hovedkontrolenhed 20

6. Idriftsættelse 26

7. Service og vedligeholdelse 27



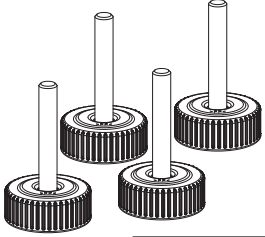
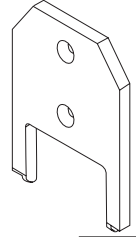
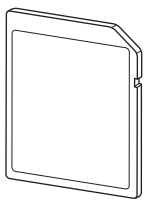
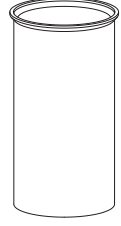
<http://www.mitsubishielectric.com/ldg/ibim/>

Hvis du ønsker flere oplysninger, som ikke står i denne brugsanvisning, bør du besøge hjemmesiden ovenfor for at downloade brugsanvisninger, vælge modelnavn og derefter vælge sprog.

Indhold af brugsanvisning på hjemmesiden

- Energoovervågning
- Komponentdele
- Diagram over vandkreds (170L)
- Rumtermostat
- Påfyldning af systemet (primær kreds)
- Enkelt 2-zonesystem
- Separat strømkilde
- Smart net klar
- Valgmuligheder for fjernbetjening
- Servicemenu (specialindstilling)
- Supplerende information

da

Tilbehør (inkluderet)			
Justerbare fødder	Værktøjsstuds til el-varmelegeme (el-patron) Kun model EHPT20X-MHEDW	SD-hukommelseskort	Kobberføring til brugsvandrør
			
4	1	1	2

Forkortelser og ordliste

Nr.	Forkortelser/ord	Beskrivelse
1	Varmekurvefunktion	Rumvarme med inkorporering af kompensation for udendørstemperatur
2	COP	Virkningsgrad (COP) for varmepumpens effektivitet
3	Tank modul (unit)	Indendørs uventileret varmt brugsvandsbeholder og komponenttilslutningsdele
4	Varmt brugsvandsproduktion	Opvarmningsfunktionen for varmt brugsvand til brusebade, vaske osv.
5	Fremløbstemperatur	Temperatur for vand leveret til den primære kreds
6	Frostbeskyttelses funktion	Varmekontrolrutine for at forhindre vandrør i at fryse
7	FTC	Fremløbstemperatur kontrol, printpladen der står for kontrol af systemet
8	Varmefunktion	Rumvarme via radiatorer eller gulvvarme
9	Legionella	Bakterie, der muligvis findes i rør, brusebade og vandtanke, som kan medføre legionærsyge
10	LF-funktion	Legionella-forhindringsfunktion – en funktion på systemer med vandtanke for at forhindre vækst af legionellabakterier
11	Kompakt enhed	Pladevarmeveksler (kølemiddel – vand) i den udendørs varmepumpeenhed
12	TBV	Overtryksventil
13	Returtemperatur	Temperatur for vand leveret fra den primære kreds
14	Splitmodel	Pladevarmeveksler (kølemiddel – vand) i inde delen
15	TV	Termostatventil – en ventil på indgangen eller udgangen af radiatorpanelet til at kontrollere varmelydelsen
16	Kølefunktion	Rumkøling via fancoils eller gulvkøling

1 Sikkerhedsmeddelelser

Læs venligst de følgende sikkerhedsforholdsregler omhyggeligt.





⚠ ADVARSEL:
Forholdsregler som skal overholdes for at forhindre personskader eller dødsfald.

⚠ FORSIGTIG:
Forholdsregler som skal overholdes for at forhindre beskadigelse af enheden.

Denne installationsmanual skal sammen med brugervejledningen opbevares sammen med produktet efter installationen af hensyn til fremtidig reference. Mitsubishi Electric skal ikke holdes ansvarlig for driftssvigt af lokalt leverede og efterleverede dele.

- Sørg for at udføre periodisk vedligeholdelse.
- Sørg for at overholde de lokale bestemmelser.
- Sørg for at overholde de instruktioner, der er givet i denne vejledning.

BETYDNINGEN AF SYMBOLER, DER VISES PÅ ENHEDEN

	ADVARSEL (Risiko for brand)	Dette symbol gælder kun for R32-kølemiddel. Kølemiddeltypen står på udendørsenhedens navneplade. Hvis kølemiddeltypen er R32, anvender denne enhed et brændbart kølemiddel. Hvis kølemiddel lækker og kommer i kontakt med ild eller varmeenheder, dannes der skadelig gas, og der opstår risiko for brand.
		Læs omhyggeligt BETJENINGSVEJLEDNINGEN før drift.
		Servicepersonale skal omhyggeligt læse BETJENINGSVEJLEDNINGEN og INSTALLATIONSVEJLEDNINGEN før drift.
		Yderligere information er at finde i BETJENINGSMANUALEN, INSTALLATIONSMANUALEN og lignende manualer.

⚠ ⚠ ADVARSEL

Mekanisk

- Tank modulet (unit) og ude delen må ikke installeres, skilles ad, flyttes, ændres eller repareres af brugeren. Overlad det til en autoriseret installatør eller tekniker. Hvis enheden ikke er installeret ordentligt eller modificeret efter installationen, kan det medføre vandlækage, elektrisk stød eller brand.
- Ude delen skal fastgøres ordentligt på en hård overflade, der er i stand til at klare dens vægt.
- Tank modulet (unit) skal placeres på en hård overflade, som er i stand til understøtte dets vægt i fyldt tilstand for at forhindre overdreven støj eller vibration.
- Placer ikke møbler eller elektriske apparater under ude delen eller tank modulet (unit).
- Udledningsrørsystemet fra tank modulets (unit) nødsituationsenheder skal installeres i henhold til de lokale love.
- Brug kun tilbehør og udskiftningsdele som er autoriseret af Mitsubishi Electric og bed en kvalificeret tekniker om at montere delene.

Elektrisk

- Alt elarbejde skal udføres af en kvalificeret tekniker i henhold til de lokale bestemmelser, og instruktioner der er givet i denne vejledning.
- Enhederne skal strømforsynes af en dedikeret strømforsyning, og der skal anvendes den korrekte spænding og de korrekte sikringer.
- Ledningsføringen skal leve op til de nationale bestemmelser for ledningsføring. Tilslutninger skal udføres sikkert og uden spænding på tilslutningerne.
- Jord enheden på korrekt vis.

Generelt

- Hold børn og kæledyr væk fra både tank modulet (unit) og ude delen.
- Anvend ikke varmt brugsvand fra varmepumpen direkte til drikkevarer eller madlavning. Dette kan muligvis gøre brugeren syg.
- Stå ikke oven på enhederne.
- Rør ikke kontakterne med våde hænder.
- De årlige vedligeholdelseskontroller på både tank modulet (unit) og ude delen skal udføres af en kvalificeret person.
- Placer ikke beholdere med væsker oven på tank modulet (unit). Hvis de lækker eller spilder på tank modulet (unit), kan det muligvis beskadige modulet, og/eller der kan opstå brand.
- Placer ikke nogen tunge ting oven på tank modulet (unit).
- Ved installation, flytning eller servicering af tankmodulet (unit) må der kun anvendes det specificerede kølemiddel til påfyldning på kølemiddelrørsystemet. Blandt det ikke med andet kølemiddel og sørg for at fjerne alt luft fra rørsystemet. Hvis der iblandes luft med kølemiddelet, kan det medføre unormalt højt tryk i kølemiddelrørsystemet og eventuelt resultere i en eksplosion eller andre faremomenter.
- Brugen af andre kølemidler end det, som er specificeret til systemet, vil medføre mekanisk driftssvigt, funktionsfejl på systemet eller sammenbrud af enhed. I værste tilfælde kan dette gøre det meget svært at sikre produktsikkerheden.
- I varmefunktionen skal målfremløbs temperaturen, for at undgå at varmefladerne beskadiges af overdrevent varmt brugsvand, indstilles mindst 2°C under den maksimalt tilladelige temperatur for alle varmefladerne. For zone2 indstilles målfremløbs temperaturen til mindst 5°C under den maksimalt tilladelige fremløbstemperatur for alle varmeflader i zone2-kredsløbet.
- Undlad at installere enheden et sted, hvor der er risiko for lækage, produktion, gennemstrømning eller akkumulering af brændbare gasser. Hvis der akkumuleres brændbare gasser omkring enheden, kan det resultere i brand eller eksplosion.
- Forsøg ikke at øge affrosthingsprocessen eller at rengøre på anden vis end de, der anbefales af producenten.
- Apparatet skal opbevares i rum uden antændingskilder i kontinuerlig drift (f.eks. åben ild, gasudstyr eller en elektrisk varmeapparat i drift).
- Lav ikke huller i eller brænd apparatet.
- Vær opmærksom på, at kølemidler kan være lugtfri.
- Rør skal beskyttes mod fysisk skadevoldelse.
- Udførelsens af rørarbejder skal begrænses til et minimum.
- Man skal opfylde nationale regler for brug af gas.
- Obligatoriske ventilationsåbninger skal friholdes.
- Brug ikke lodde til lave temperaturer, hvis du skal lodde kølemiddelrørene.

da

1 Sikkerhedsmeddelelser

FORSIGTIG

Anvend rent vand der lever op til de lokale kvalitetsstandarder til det primære kredsløb.

Ude delen skal installeres på et sted med tilstrækkelig luftgennemstrømning i henhold til diagrammerne i installationsmanualen til ude delen.

Tank modulet (unit) skal placeres indendørs for at minimere varmetab.

Vandrørslængden på den primære kreds mellem ude- og inde delen bør være så lille som mulig for at reducere varmetab.

Sørg for at kondensvand fra ude delen ledes væk fra basen for at undgå vandpytter.

Fjern så meget luft som muligt fra primær kreds og varmt varmtvandskreds.

Lækage af kølemiddel kan medføre kvælning. Sørg for ventilation i overensstemmelse med EN378-1.

Sørg for at placere isolering omkring rørene. Direkte kontakt med nøgne rør kan muligvis medføre forbrændinger eller forfrysninger.

Put aldrig under ingen omstændigheder batterier ind i munden for at undgå utilsigtet indtagelse.

Indtagelse af batterier kan medføre kvælning og/eller forgiftning.

Transporter ikke tank modulet (unit) med vand inde i varmt brugsvandsbeholderen eller spolen. Dette kan muligvis beskadige enheden.

Hvis der slukkes for strømmen til tank modulet (unit) (eller systemet slukkes) i en længere tidsperiode, skal vandet tappes af.

Efter længere tid uden anvendelse skal varmt brugsvandsbeholderen, inden anvendelsen genoptages, skylles igennem med drikkeligt vand.

Der bør tages forebyggende foranstaltninger mod vandslag, som f.eks. installering af en vandslagssikring på den primære vand cirkulation, som anvist af producenten.

Vedrørende håndtering af kølemidlet henvises til installationsmanualen til den udendørs enhed.

2 Introduktion

Formålet med denne installationsmanual er at vejlede kompetente personer om sikker og effektiv installation og idriftsættelse af tank modul (unit)-systemet. Denne manual er rettet mod læsere, som er kompetente blikkenslagere og/eller

køleteknikere, der har deltaget i og bestået den nødvendige produkttræning fra Mitsubishi Electric, og som besidder de passende kvalifikationer for installation af et uventileret varmvandstank modul (unit) specifik for deres land.

3 Teknisk information

Produktspecifikation

Modelnavn	EHPT20X-MED	EHPT20X-VM6D	EHPT20X-YM9D	EHPT20X-YM9D	EHPT20X-TM9D	EHPT20X-MHEDW	ERPT20X-MD	ERPT20X-VM2D	ERPT20X-VM6D	EHPT30X-MED	EHPT30X-YM9D	ERPT30X-VM2ED
Nominel mængde varmt brugsvand	200 L											
Enhedsens mål (højde x bredde x dybde)	1600 x 595 x 680 mm											
Vægt (tom)	93 kg	101 kg	102 kg	96 kg	102 kg	90 kg	99 kg	100 kg	101 kg	106 kg	109 kg	107 kg
Vægt (fyldt)	300 kg	307 kg	310 kg	305 kg	310 kg	296 kg	305 kg	305 kg	307 kg	413 kg	419 kg	413 kg
Vandrumfang af varmekreds i enhed *1	3,7 L	12 L	6,0 L	—	12 L	3,7 L	3,7 L	3,7 L	3,7 L	4,4 L	6,7 L	4,4 L
Uventileret ekspansionsbeholder (primær varme)	—	0,1 MPa	—	—	0,1 MPa	—	—	—	—	—	—	—
Primær kredsløb	1 - 80°C											
Overtryksventil	—											
Fremløbsføler	Min. fremløb 5,0 L/min (Se tabel 4.3.1 om intervallet for vandfremløb)											
BH manuel nulstillingstermostat	—	90°C	90°C	—	—	—	—	90°C	—	—	—	90°C
BH termisk udkobling	—	121°C	121°C	—	—	—	—	121°C	—	—	—	121°C
Termostatisk føler	75°C											
Termostatisk føler	—											
IH manuel nulstillingstermostat	—											
Temperatur/Overtryksventil	1,0 MPa (10 bar)		90°C / 0,7 MPa (7 bar)		—		—		1,0 MPa (10 bar)		—	
Vand	Primær kredsløb											
Primær brugsvandskredsløb	—											
Kølemiddel (R32/ R410A)	Væske											
Gas	—											
Varme	Rumtemperatur											
Fremløbstemperatur	10 - 30°C											
Rumtemperatur	20 - 60°C											
Fremløbstemperatur	—											
Køl	Fremløbstemperatur											
Udetemp	0 - 35°C (≤ 80 % relativ luftfugtighed)											
Garanteret funktionsområde *2	Se specifikationstabellen for udendørsenheden											
Udendørs temperatur	—											
Køl	*3											
Maks. tilladt temperatur for varmt brugsvand	*4	70°C	—	—	—	—	*4	70°C	*4	70°C	—	70°C
Angivet påfyldningsprofil	L											
Gennemsnit klima	A+											
Vandvarmerenergiklasse	—											
Kontrolkort (inklusive 4 pumper)	~N, 230 V, 50 Hz											
Indgang	0,30 kW											
Strøm	1,95 A											
Afbyder	10 A											
Strømforsyning (fase, spænding, frekvens)	—	~N, 230 V, 50 Hz	3-~, 400 V, 50 Hz	3-~, 230 V, 50 Hz	—	—	—	~N, 230 V, 50 Hz	—	—	3-~, 400 V, 50 Hz	~N, 230 V, 50 Hz
Strømforsyning (fase, spænding, frekvens)	—	2 kW + 4 kW	3 kW + 6 kW	—	—	—	—	2 kW + 4 kW	—	—	3 kW + 6 kW	2 kW
Kapacitet	—	26 A	13 A	23 A	—	—	—	9 A	—	—	13 A	9 A
Strøm	—	32 A	16 A	32 A	—	—	—	16 A	—	—	16 A	16 A
Afbyder	~N, 230 V, 50 Hz											
Strømforsyning (fase, spænding, frekvens)	—											
Kapacitet	3 kW											
Dyppekoger *5	—											
Strøm	13 A											
Afbyder	16 A											
Lydeffektniveau	40 dB(A)											

< Tabel 3.3 >

*1 Volumen af sanitetsvandkreds, primær brugsvandkreds (fra 3-vejs ventil til sammenløbende punkt med varmekreds), rørsystem til ekspansionsbeholder og ekspansionsbeholder er ikke inkluderet i denne værdi.
 *2 Omgivelserne skal være frostfri.
 *3 Se specifikationstabellen for udendørsenheden (min. 10°C). Kølefunktion er ikke tilgængelig ved lav udendørs temperatur. Hvis du bruger vores system med kølefunktion ved lav udetemp (10°C eller lavere), er der nogen risiko for skader på pladevarmeveksleren forårsaget af frosten vand.
 *4 For modellen uden både tilskudsvarme og dypppekoger er den højeste tilladte varmt brugsvandstemperatur lig med [maksimalt udløbsvand fra udendørsenheden vedrørende det maksimale udløbsvand fra udendørsenheden].
 *5 Monter ikke varmelegemer uden termisk udkobling. Brug udelukkende reservedele fra Mitsubishi Electric til direkte udskiftning.

3 Teknisk information

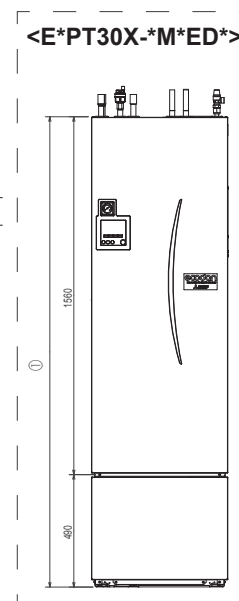
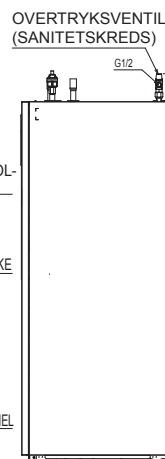
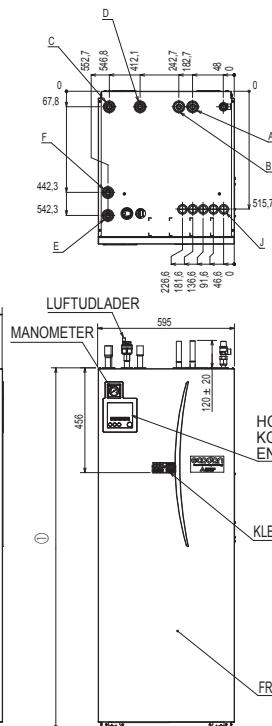
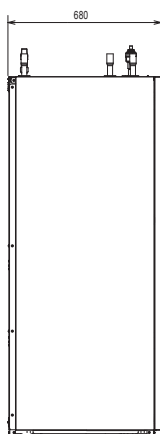
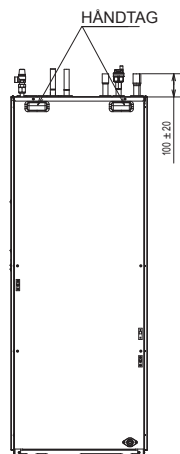
■ Tekniske tegninger

<E**T***-M**D>

(Kompakt enhedssystem)

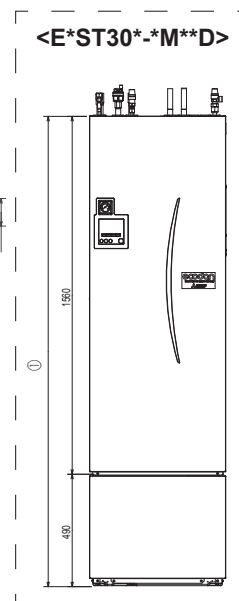
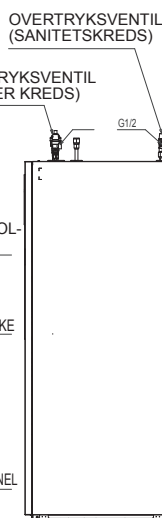
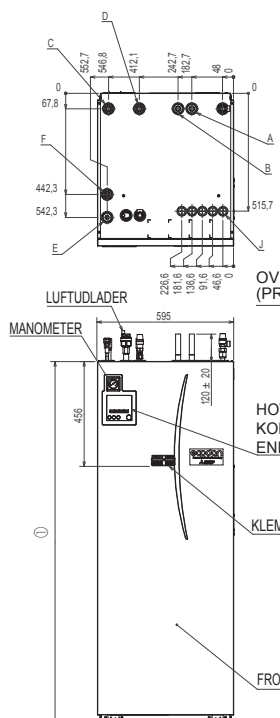
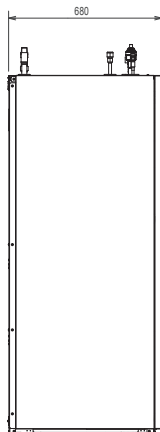
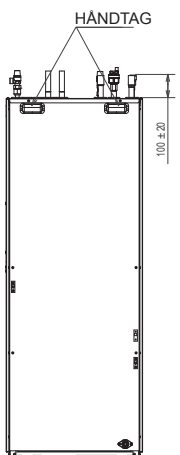
<Enhed: mm>

Kapacitet for beholder til varmt brugsvand	170L	200L	300L
①	1400	1600	2050



(Splitmodelsystem)

Kapacitet for beholder til varmt brugsvand	170L	200L	300L
①	1400	1600	2050



Bogstav	Rørbeskrivelse	Tilslutningsstørrelse/-type
A	Afløbstilslutning til brugsvand	22 mm/kompression
B	Indløbstilslutning til koldt vand	22 mm/kompression
C	Returforbindelse til rumvarme/-afkøling	28 mm/kompression
D	Gennemløbsforbindelse til rumvarme/-afkøling	28 mm/kompression
E	Gennemløbsforbindelse FRA varmepumpe (uden pladevarmeveksler)	28 mm/kompression
F	Retur TIL varmepumpeforbindelse (uden pladevarmeveksler)	28 mm/kompression
G	Kølemiddel (GAS) (Med pladevarmeveksler)	12,7 mm/Flare (E*ST**D-*) 15,88 mm/Flare (E*ST**C-*)
H	Kølemiddel (VÆSKE) (Med pladevarmeveksler)	6,35 mm/Flare (E*ST**D-*) 9,52 mm/Flare (E*ST**C-*)
J	Elektriske kabel tilslutninger (forskruet)	Til indløb ①, ② og ③ trækkes lavspændingsledninger, inklusive eksterne indgangsledninger og termistorledninger. Til indløb ④ og ⑤ trækkes højspændingsledninger inklusive strømkabel, indendørs-/udendørskabel og ledninger til eksternt udgang. *Til trådløs modtagerkabel (valgfrit) og ecodan Wi-Fi-interfacekabel (valgfrit) skal du bruge indløb ①.

ADVARSEL

- Forbindelserne til kølemiddelrørsystemet skal holdes tilgængelige for vedligeholdelse.
- Hvis kølemiddelrørene monteres igen efter at have været adskilt, skal den udspilede rørdel genskabes.

<Tabel 3.4>

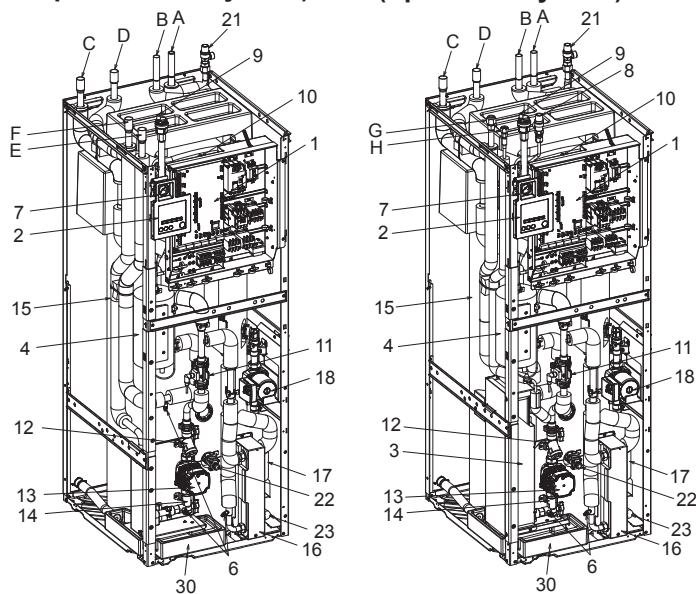
3 Teknisk information

Komponentdele

<E**T***-M**D>

(Kompakt enhedssystem)

(Splitmodelsystem)

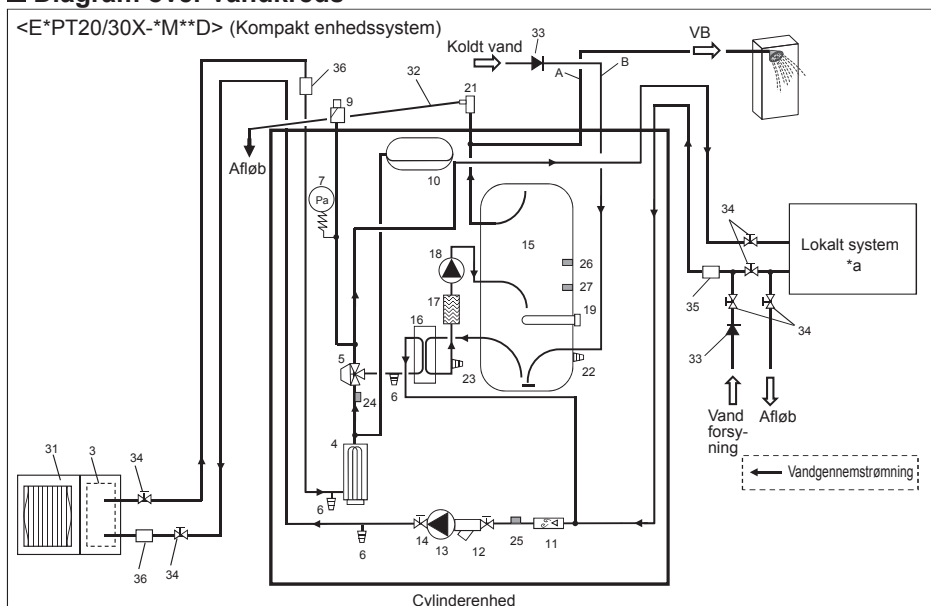


<Figur 3.1>

Bemærk:
Ved installation af alle modeller i serie E**T***-M**ED skal man sikre sig, at der installeres en ekspansionsbeholder til den primære kreds af passende størrelse og en yderligere overtryksventil for at forhindre, at ekspansionsbeholderen brister efter montering (se figur 3.2 ~ 3.3 og 4.3.2 for yderligere vejledning).

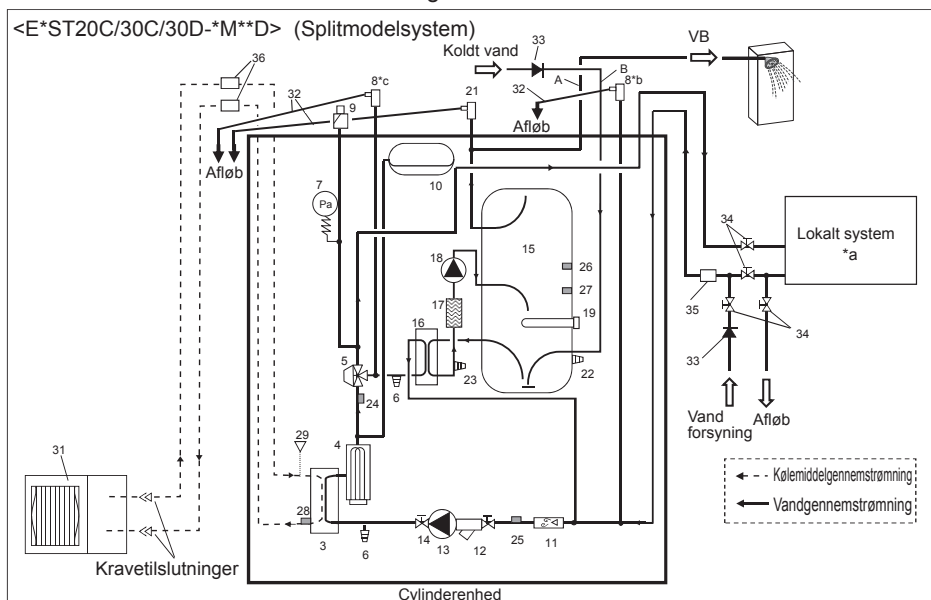
Diagram over vandkreds

<E*PT20/30X-M**D> (Kompakt enhedssystem)



<Figur 3.2>

<E*ST20C/30C/30D-M**D> (Splitmodelsystem)



<Figur 3.3>

Nr.	Navn på del
A	Varmtbrugsvands afgang
B	Koldt vandstilgang
C	Vandrør (returforbindelse til rumvarme/afkøling)
D	Vandrør (gennemløbsforbindelse til rumvarme/afkøling)
E	Vandrør (gennemløbsforbindelse fra varmepumpe)
F	Vandrør (returforbindelse til varmepumpe)
G	Rør til kølemiddel (gas)
H	Rør til kølemiddel (væske)
1	Styring og tilslutningsboks
2	Hovedkontrolenhed
3	Pladevarmeveksler (kølemiddel - vand)
4	Tilskudsvarme 1,2
5	3-vejsventil
6	Manuel udluftningsventil
7	Manometer
8	Overtryksventil (3 bar)
9	Auto udluftningsventil
10	Ekspansionsbeholder (primær kreds)
11	Flow sensor
12	Filterventil
13	Cirkulationspumpe 1 (primær kreds)
14	Pumpeventil
15	Varmt brugsvandsbeholder
16	Pladevarmeveksler (vand - vand)
17	Kalkfilter (Scale trap)
18	Cirkulationspumpe (sanitetskreds)
19	El-varmelegeme (el-patron) *1
20	Temperatur- og overtryksventil *1
21	Overtryksventil (10 bar) (brugsvandsbeholder)
22	Aftapningsventil (brugsvandsbeholder)
23	Aftapningsventil (sanitetskreds)
24	Termistor for fremløbsvandtemperatur (THW1)
25	Termistor for returvandtemperatur (THW2)
26	Øvre vandtemperaturtermistor for beholder til varmt brugsvand (THW5A)
27	Nedre vandtemperaturtermistor for beholder til varmt brugsvand (THW5B)
28	Kølevæske temperatur termistor (TH2)
29	Tryksensor
30	Afløbsskål
31	Udendørsenhed
32	Aftapningsrør (lokal levering)
33	Tilbageløbsbeskyttelsesmodul (lokal levering)
34	Afspærringsventil (lokal levering)
35	Magnetisk filter (lokal levering) (anbefales)
36	Filter (lokal levering)
37	Yderligere trykreduktionsventil (lokal levering)
38	Indløbskontrolgruppe *1
39	Tilslutningsslange (kugleventiler, kontraventiler og fleksibel slange) *1
40	Ekspansionsbeholder til drikkevand *1

*1 Følger KUN med modellen til Storbritannien. Se i installationsmanualen til PAC-WK02UK-E for yderligere oplysninger om tilbehør.

<Tabel 3.5>

Besøg Mitsubishis hjemmeside for at kontrollere andre enheders vandkredsløb og komponentdelene for hver enkelt enhed.

*a Se følgende afsnit [Lokalt system].

*b Kun E**T20

*c Kun E**T30

Bemærk

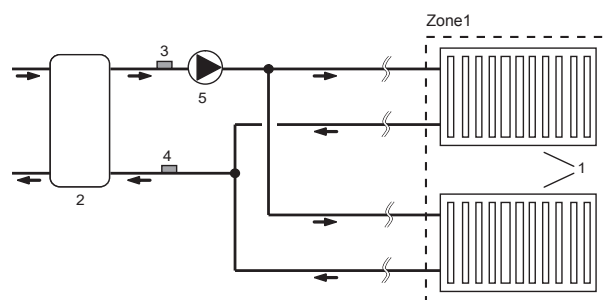
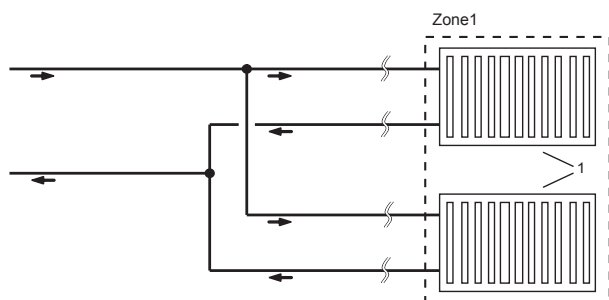
- For at muliggøre aftapning af cylinderenheden skal der placeres en afspærringsventil på både indløbs- og udløbsrørsystemet.
- Sørg for at installere et filter på indløbsrøret til cylinderenheden.
- Der bør monteres et passende afløbsrørsystem til alle sikkerhedsventiler i henhold til bestemmelserne i dit land.
- Der skal installeres en kontraventil på indløbsrørsystemet til koldt vand (IEC 61770)
- Ved brug af komponenter fremstillet af forskellige metaller eller tilslutning af rør fremstillet af forskellige metaller skal samlinger isoleres for at forhindre, at der opstår korrosion, som kan beskadige rørsystemet.

da

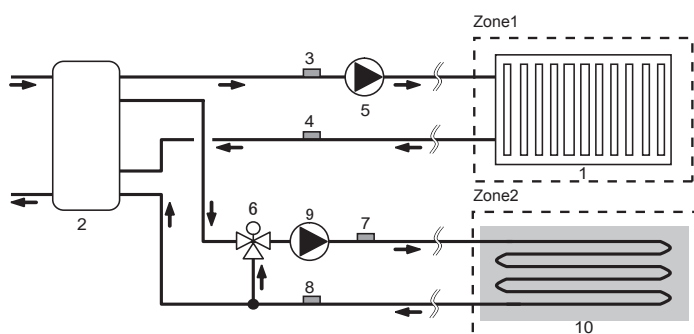
3 Teknisk information

■ Lokalt system

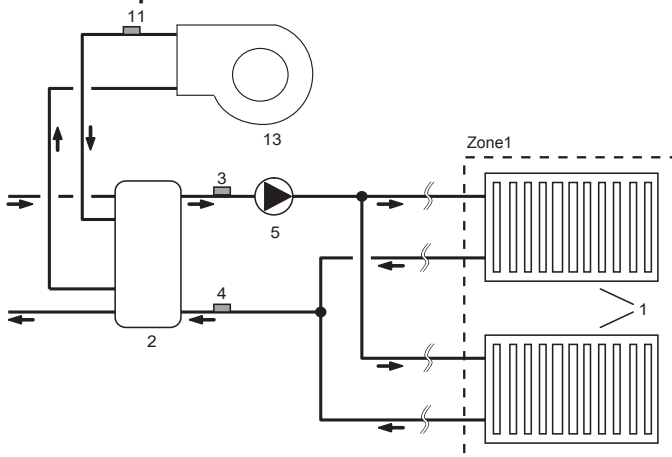
1-zonetemperaturkontrol



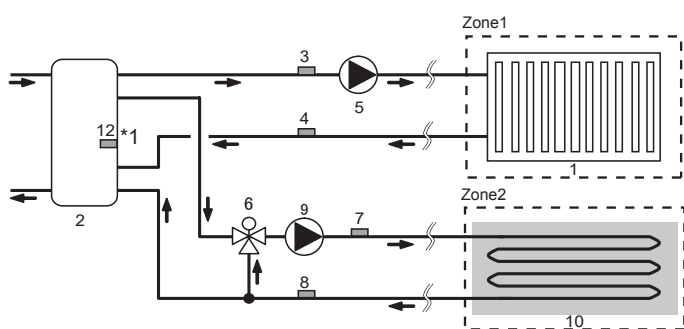
2-zonetemperaturkontrol



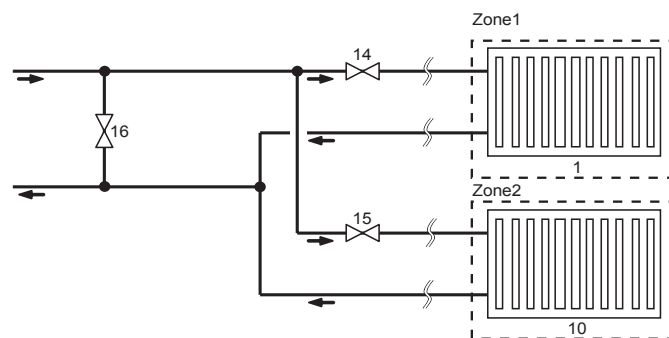
1-zonetemperaturkontrol med kedel



2-zonetemperaturkontrol og Buffer-beholderkontrol



1-zonetemperaturkontrol (2-zoneventil ON/OFF-kontrol)



1. Zone1-varmeblader (f.eks. radiator, fancoilenhed) (lokal levering)
2. Buffertank (lokal levering)
3. Zone1 fremløbsvandtemperaturtermistor (THW6) } Valgfri del: PAC-TH011-E
4. Zone1 returvandtemperaturtermistor (THW7) }
5. Zone1-cirkulationspumpe (lokal levering)
6. Motorstyret blandeventil (lokal levering)
7. Zone2 fremløbsvandtemperaturtermistor (THW8) } Valgfri del: PAC-TH011-E
8. Zone2 returvandtemperaturtermistor (THW9) }
9. Zone2-cirkulationspumpe (lokal levering)

10. Zone2-varmeblader (f.eks. gulvvarme) (lokal levering)
11. Fremløbsvandtemperaturtermistor for kedel (THWB1) } Valgfri del: PAC-TH012HT(L)-E
12. Bufferbeholdermistor (THW10) *1 }
13. Kedel (lokal levering)
14. Zone1-2-vejsventil (lokal levering)
15. Zone2-2-vejsventil (lokal levering)
16. Overløbsventil (lokal levering)

*1 KUN Buffer-beholderkontrol (varme/køl) gælder for "Smart net klar".

4 Installation

<Klargøring inden installation og service>

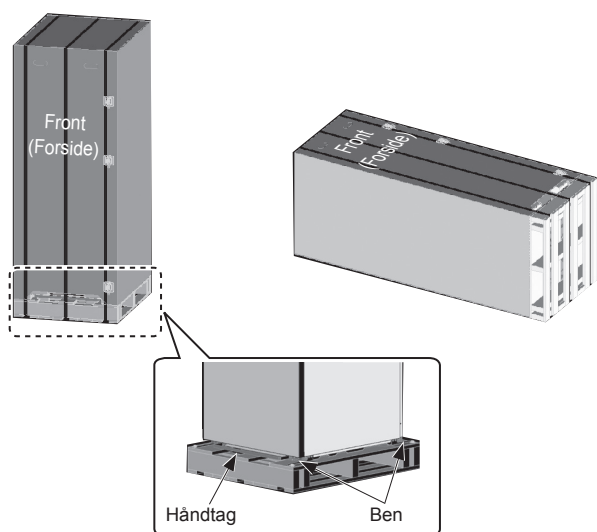
- Klargør de rigtige værktøjer.
- Klargør den rigtige beskyttelse.
- Tillad dele at køle af inden der foretages nogen form for vedligeholdelse.
- Sørg for tilstrækkelig ventilation.
- Efter standsning af driften af systemet skal du slukke for strømafbryderen og tage strømstikket ud.
- Aflad kondensatoren inden der udføres arbejde, som involverer de elektriske dele.

<Forholdsregler under service>

- Udfør ikke arbejde, som involverer de elektriske dele, med våde hænder.
- Hæld ikke vand eller væske ind i de elektriske dele.
- Rør ikke ved kølemidlet.
- Rør ikke ved varme eller kolde overflader i kølemiddelcyklussen.
- Når der behøves reparation eller eftersyn af kredsløbet uden slukning for strømmen, skal du være meget forsigtig med ikke at røre ved strømførende dele.

4.1 Placering

■ Transport og håndtering



<Figur 4.1.1>

Tank modulet (unit) leveres på en træpalle beskyttet med pap.

Vær forsigtig under transport af tank modulet (unit) så beholderen ikke beskadiges pga. stød. Fjern ikke den beskyttende indpakning før tank modulet (unit) er nået frem til dets endelige placering. Dette er med til at beskytte strukturen og kontrolpanelet.

- Tank modulet (unit) kan transporteres enten lodret eller vandret. Hvis det transporteres vandret, skal det panel, som er mærket "Front (Forside)", vende **OPAD** <Figur 4.1.1>.
- Tank modulet (unit) bør **ALTID** flyttes vha. mindst 3 personer.
- Anvend håndtagene når tank modulet (unit) bæres.
- Sørg for at kontrollere, at håndtagene er fastgjort ordentligt, inden de anvendes.
- **Fjern forreste håndtag, fastgørelsesben, træbund og andet indpakningsmateriale, når først enheden er på installationsstedet.**
- **Gem håndtagene til brug for fremtidig transport.**

■ Egnet placering

Inden installation skal tank modulet (unit) opbevares på et frostfrit vejrbestandigt sted. Enheder må **IKKE** placeres oven på hinanden.

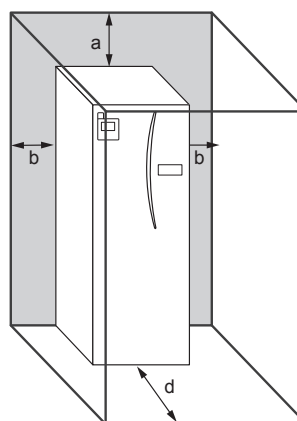
- Tank modulet (unit) bør installeres indendørs på et frostfrit vejrbestandigt sted.
- Installer tank modulet (unit) på et sted hvor det ikke udsættes for vand/meget fugt.
- Tank modulet (unit) bør placeres på en jævn overflade, der kan klare vægten af den fyldte enhed. (Justerbare fødder (tilbehørsdele) kan anvendes til at sikre, at enheden står i vater)
- Ved brug af de justerbare fødder skal det sikres, at gulvet er stærkt nok.
- Vær omhyggelig med at overholde minimumsafstandene omkring og foran enheden til brug for serviceadgang <Figur 4.1.2>.
- Fastgør cylinderenheden for at forhindre, at den vælter.

■ Adgangsdiagrammer for service

Serviceadgang	
Parameter	Mål (mm)
a	300*
b	150
c (afstand bag enhed er ikke synlig på figur 4.1.2)	10
d	500

<Tabel 4.1.1>

Der **SKAL** sørges for, at der er tilstrækkelig plads til opfyldelsen af bestemmelsen for udlægningsrørsystem, som beskrevet i nationale og lokale byggeregulativer.



<Figur 4.1.2>
Serviceadgang

* Der kræves et område på yderligere 300 mm (i alt 600 mm), når det valgfri 2-zoners sæt (PAC-TZ02-E) installeres oven på tank modulet (unit).

Tank modulet (unit) skal placeres indendørs og i et frostfrit miljø for eksempel i et bryggers for at minimere varmetabet fra opbevaret vand.

■ Omplacering

Hvis du er nødt til at flytte cylinderenheden til en ny position, skal den **TØMMES FULDSTÆNDIG**, inden den flyttes, for at undgå at beskadige enheden.

4 Installation

4.2 Vandkvalitet og systemklargøring

■ Generelt

- Vandet i både den primære og sanitære kreds skal være rent og have en pH-værdi på 6,5-8,0.
- Følgende er maksimumsværdierne:
 - Kalcium: 100 mg/L, Calciumhårdhed: 250 mg/L
 - Klor: 100 mg/L, kobber: 0,3 mg/L
- Andre bestanddele skal overholde standarderne i det europæiske direktiv 98/83 EF.
- I områder med hårdt vand er det praktisk at begrænse temperaturen på det rutinemæssigt opbevarede vand for at forhindre/minimere kalkaflejring (maks. temperatur af brugsvand) til 55°C.

■ Frostbeskyttelse

Der bør anvendes propylen glycol til frostsikring med en giftighed af klasse 1 som anført i Clinical Toxicology of Commercial Products, 5. udgave.

Bemærk:

- Etylenglykol er giftigt og bør IKKE anvendes i den primære vandkreds, i tilfælde af krydskontaminering af drikkevandskredsen.
- For ON/OFF-kontrolenheden til 2-zone-ventilen bør der benyttes propylen glycol.

■ Ny installation (primær vand cirkulation)

- Rørsystemet skal omhyggeligt renses for byggeaffald, loddemetall osv. ved hjælp af et passende kemisk rensmiddel, inden ude delen tilsluttes.
- Skyl systemet igennem for at fjerne det kemiske rensmiddel.
- Til alle kompakt enhedssystemer skal der tilføjes en kombineret inhibitor (katalysator) og frost sikring (glykol) for at forhindre beskadigelse af rørsystemet og systemkomponenterne.
- Til splitmodellsystemer skal den ansvarlige installatør afgøre, om der er behov for frost sikring (glykol) i henhold til stedforholdene. Rustinhibitor (katalysator) skal imidlertid altid anvendes.

■ Eksisterende installation (primær vand cirkulation)

- Inden tilslutning af ude del SKAL den eksisterende varmekreds kemisk renses for at fjerne snavs fra varmekredsen.
- Skyl systemet igennem for at fjerne det kemiske rensmiddel.
- For alle pakkede modelsystemer samt splitmodellen eller PUMY-systemet uden boostervarmer skal der tilføjes en kombineret inhibitor og en antifrostløsning for at forhindre skader på rørsystemet og systemkomponenterne.
- Til splitmodellsystemer skal den ansvarlige installatør afgøre, om der er behov for frost sikring (glykol) i henhold til stedforholdene. Rustinhibitor (katalysator) skal imidlertid altid anvendes.

Når der anvendes kemiske rensmidler og inhibitorer (katalysator), skal producentens vejledning altid følges, og det skal sikres, at produktet er egnet til de materialer, der anvendes i vand cirkulationen.

4.3 Vandrørsarbejde

■ Rørsystem til varmt brugsvand

Tank modulet (unit) er UVENTILERET. Ved installation af uventilerede vandvandssystemer skal byggeregulativernes del G3 (England og Wales), P3 (Skotland) og P5 (Nordirland) overholdes. Hvis det er uden for Storbritannien, skal regulativerne for uventilerede varmtvandssystemet i dit land overholdes.

Tilslut tilgangen til varmt brugsvand til rør A (figur 3.1).

Funktionen af de følgende sikkerhedskomponenter til tank modulet (unit) bør kontrolleres under installationen for eventuelle uregelmæssigheder;

- Overtryksventil (primær kreds og beholder)
- Ekspansionsbeholder før påfyldning (gaspåfyldningstryk)

Instruktionen på de følgende sider angående sikker udledning af varmt brugsvand fra sikkerhedsanordninger bør følges omhyggeligt.

- Rørsystemet bliver meget varmt, så det skal isoleres for at forhindre forbrændinger.
- Når rørsystemet tilsluttes, skal det sikres, at der ikke kommer nogen fremmedlegemer som f.eks. snavs eller lignede ind i røret.

■ Rørsystem til koldt vand

Der skal lukkes koldt vand af egnet standard (se afsnit 4.2) ind i systemet ved at tilslutte rør B (figur 3.1) vha. passende fittings.

■ Forebyggelse af negativt tryk

For at forhindre negativt tryk, der påvirker brugsvandtanken, skal installatøren installere passende rørsystemer eller anvende passende enheder.

■ Mindste mængde vand nødvendig for rumopvarmnings-/afkølingskredsen

Udendørs varmpumpeenhed		Gennemsnitlig / varmere klima**		Koldere klima**	
		Inde del med vandmængde [L]	*Yderligere påkrævet vandmængde [L]	Inde del med vandmængde [L]	*Yderligere påkrævet vandmængde [L]
Kompakt enhed	PUZ-WM50	5	2	5	24
	PUZ-WM60		4		29
	PUZ-WM85		7		32
	PUZ-WM112		11		43
	PUZ-HWM140		15		55
Splitmodel	SUZ-SWM40	5	1	5	12
	SUZ-SWM60		2		21
	SUZ-SWM80		4		29
	PUD-S(H)WM60		4		21
	PUD-S(H)WM80		6		29
	PUD-S(H)WM100		9		38
	PUD-S(H)WM120		12		47
	PUD-SHWM140		15		55
	PUHZ-FRP71		6		27
	PUHZ-SW75		6		27
	PUHZ-SW100		9		38
	PUHZ-SW120		12		47
	PUHZ-SHW80		6		29
	PUHZ-SHW112		11		43
	PUHZ-SHW140		15		55
	PUMY-P112		22		75
	PUMY-P125		22		75
PUMY-P140	22	75			

<Tabel 4.2.1>

* Hvis der er et omgælseskredsløb, så betyder ovennævnte tabel den mindste vandmængde i tilfælde af omgælse.

** Se venligst 2009/125/EF: Direktiv om energirelaterede produkter (EU) nr. 813/2013 for at fastslå, hvilken klimazone du har.

Tilfælde 1. Ingen opdeling mellem primært og sekundært kredsløb

- Kontroller, at den påkrævede vandmængde iht. tabel 4.2.1 for vandrør eller gulvvarme er til stede.

Tilfælde 2. Separat primært og sekundært kredsløb

- Hvis den afstemte drift af den primære og den sekundære pumpe ikke er tilgængelig, så skal du kontrollere, at den yderligere påkrævede vandmængde iht. tabel 4.2.1. kun er til stede i det primære kredsløb.
- Hvis den afstemte drift af den primære og den sekundære pumpe er tilgængelig, så skal du kontrollere, at den totale vandmængde iht. tabel 4.2.1. er til stede. Hvis den påkrævede vandmængde ikke er til stede, skal bufferbeholderen installeres.

■ Hydraulisk filterarbejde (KUN E*PT-serie)

Monter et hydraulisk eller mekanisk filter (lokal levering) ved vandindtaget ("Rør E" i Figur 3.1)

■ Rørsystemtilslutninger

Tilslutninger til tankmodulet (unit) bør udføres med 22 mm eller 28 mm kompression alt efter behov.

Når du forbinder rør til varmt brugsvand med kompressionsfittings, skal du indsætte en **kobberpakning til varmtvandsrør** (ekstra dele) i rørene og spænde fra 0,75 til 1,25 omgang.

Overspænd ikke kompressionsfittings, da dette vil medføre deformation af klemring og eventuelt lækager.

Bemærk: Beskyt rørene på tankmodulet (unit) med et vådt håndklæde e.l. som "varmeskjold" før lodning på stedet.

■ Isolering af rørsystem

- Alle blotlagte vandrør bør isoleres for at forhindre unødvendigt varmetab og kondens. For at forhindre at der trænger kondens ind i tank modulet (unit), skal rørsystemet og tilslutningerne over tank modulet (unit) isoleres omhyggeligt.
- Rørsystemet til koldt og varmt brugsvand bør ikke installeres tæt på hinanden, hvis det er muligt, for at undgå uønsket varmeoverførsel.
- Rørsystemet mellem den udendørs varmpumpe og tank modulet (unit) bør isoleres med egnet rørisoleringsmateriale med en termisk konduktivitet på $\leq 0,04$ W/m.K.

4 Installation

■ Afløbsrørsystem (KUN ER-serie)

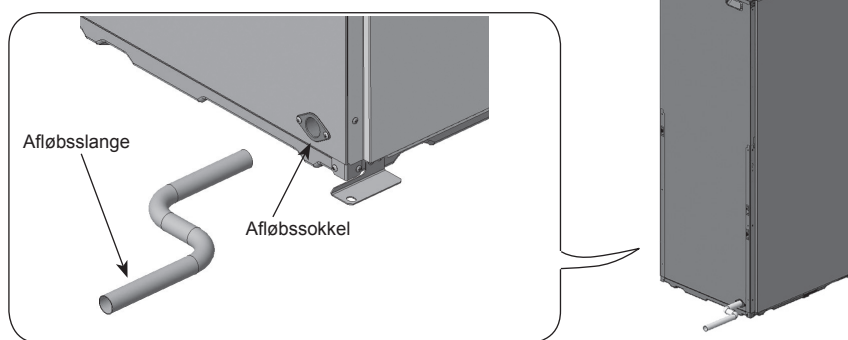
Den valgfri del 'Stander til afløbsskål' behøver ikke monteres, eftersom afløbsskålen er monteret. Afløbet skal monteres fra afløbssoklen bagved til venstre på enheden. Afløbsrøret skal installeres for at tømme kondensvand under kølefunktion.

- Med henblik på at forhindre beskidt vand i at blive tømt direkte på gulvet ved siden af cylinderenheden, bør du tilslutte et passende udløbsrørsystem fra cylinderafløbsskålen.
- Installer afløbsrøret sikkert for at forhindre lækage fra forbindelsen.
- Isolér afløbsrøret sikkert for at forhindre, at der drypper vand fra det lokalt forsynede afløbsrør.
- Installer afløbsrøret ved en nedadgående hældning på 1/100 eller mere.
- Anbring ikke afløbsrøret i en afløbskanal, hvor der findes svovlgas.
- Kontrollér efter installationen, at afløbsrøret tømmer vand korrekt fra udgangen af røret til et passende tømningssted.

<Installation>

1. Afløbssoklen (indvendig diameter 26 mm) findes bagpå til venstre på indendørsenheden. (Figur 4.3.1)
2. Monter afløbsrøret (VP-20), som passer i afløbssoklen, med PVC-lim.
3. Monter afløbsrørnettet til fraløb med et fald på mere end 1/100.

Bemærk: Understøt det lokalt forsynede afløbsrør på sikker vis for at undgå, at afløbsrøret falder ned fra afløbssoklen.



<Figur 4.3.1>

■ Dimensionering af ekspansionsbeholdere

Ekspansionsbeholdervolumen skal passe til det lokale vandvolumensystem. For at dimensionere en ekspansionsbeholder til varmekredsen kan den følgende formel og graf anvendes.

Når det nødvendige ekspansionsbeholdervolumen overstiger volumen i en indbygget ekspansionsbeholder, skal der installeres en ekstra ekspansionsbeholder, så ekspansionsbeholdernes sammenlagte volumen overstiger det nødvendige ekspansionsbeholdervolumen.

* Ved installation af en model E**T***-M*ED* skal du levere og installere en passende ekspansionsbeholder til den primære kreds og en yderligere overtryksventil med en kapacitet på mindst 3 bar ved installation, eftersom modellen **IKKE** er udstyret med en ekspansionsbeholder til den primære kreds.

$$V = \frac{\varepsilon \times G}{1 - \frac{P_1 + 0,098}{P_2 + 0,098}}$$

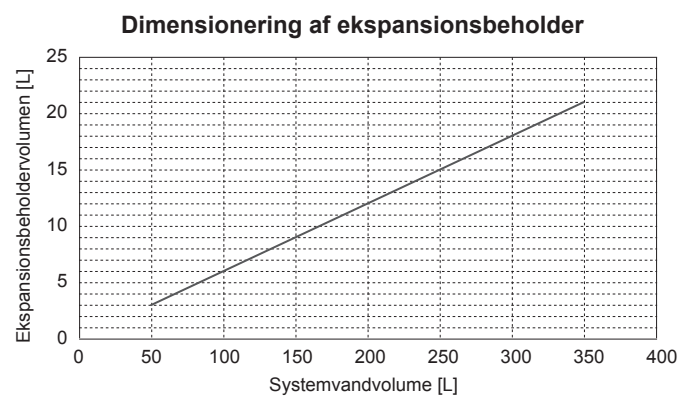
Hvor;

- V : Nødvendigt ekspansionsbeholdervolumen [L]
- ε : Vandekspansionskoefficient
- G : Samlet vandvolumen i systemet [L]
- P_1 : Indstillingstryk for ekspansionsbeholder [MPa]
- P_2 : Maksimalt tryk under drift [MPa]

Graf til højre er for de følgende værdier

- ε : ved 70°C = 0,0229
- P_1 : 0,1 MPa
- P_2 : 0,3 MPa

*Der er blevet tilføjet en 30% sikkerhedsmargin.



<Figur 4.3.2>

4 Installation

Egenskaber for cirkulationspumpe

1. Primær kredsløb

Pumpehastigheden kan vælges vha. hovedstyringsenhedens indstilling (se <Figur 4.3.3 - 4.3.7>).

Juster pumpehastighedsindstillingen så fremløbshastighed i den primære kredsløb passer til den installerede ude del (se tabel 4.3.1). Det er muligvis nødvendigt at tilføje en ekstra pumpe til systemet afhængigt af længden og løftet på den primære kredsløb.

For modeller af udendørsenheder, der ikke fremgår af <tabel 4.3.1>, henvises der til intervallet for vandfremløb i specifikationstabellen i udendørsenhedens databog.

<Anden pumpe>

Hvis der behøves en anden pumpe til installationen, skal du læse følgende omhyggeligt.

Hvis der anvendes en anden pumpe i systemet, kan den placeres på 2 måder. Pumpens position påvirker hvilken terminal på FTC, som signalkablet skal tilsluttes til. Hvis den/de ekstra pumpe(r) har en strømstyrke på mere end 1A, skal der anvendes et passende relæ. Pumpesignalkablet kan enten tilsluttes til TBO.1 1-2 eller CNP1, men ikke til dem begge.

Mulighed 1 (Kun til rumvarme/-kø)

Hvis den anden pumpe kun anvendes til opvarmingskredsløbet, skal signalkablet tilsluttes til TBO.1-tilslutninger 3 og 4 (OUT2). I denne position kan pumpen køre med en anden hastighed end tank modulets (unit) indbyggede pumpe.

Mulighed 2 (Primær kredsløb for varmt brugsvand og rumvarme/-kø)

Hvis den anden pumpe kun anvendes i den primære kredsløb mellem tank modulet (unit) og ude delen (KUN kompakt system), skal signalkablet tilsluttes til TBO.1-tilslutningerne 1 og 2 (OUT1). I denne position **SKAL** pumpehastigheden svare til hastigheden på tank modulets (unit) indbyggede pumpe.

Bemærk: Se 5.2 Tilslutning af indgange/udgange.

Udendørs varmepumpeenhed	Område for vandets fremløbshastighed [L/min]	
Kompakt enhed	PUZ-WM50	6,5 - 14,3
	PUZ-WM60	8,6 - 17,2
	PUZ-WM85	10,8 - 24,4
	PUZ-WM112	14,4 - 32,1
	PUZ-HWM140	17,9 - 36,9
Splitmodel	SUZ-SWM40	6,5 - 11,4
	SUZ-SWM60	7,2 - 17,2
	SUZ-SWM80	7,8 - 21,5
	PUD-S(H)WM60	9,0 - 22,9
	PUD-S(H)WM80	9,0 - 22,9
	PUD-S(H)WM100	14,3 - 34,4
	PUD-S(H)WM120	14,3 - 34,4
	PUD-SHW140	14,3 - 34,4
	PUHZ-FRP71	11,5 - 22,9
	PUHZ-SW75	10,2 - 22,9
	PUHZ-SW100	14,4 - 32,1
	PUHZ-SW120	20,1 - 36,9
	PUHZ-SHW80	10,2 - 22,9
	PUHZ-SHW112	14,4 - 32,1
	PUHZ-SHW140	17,9 - 36,9
	PUMY-P112	17,9 - 35,8
PUMY-P125	17,9 - 35,8	
PUMY-P140	17,9 - 35,8	

<Tabel 4.3.1>

* Hvis vandfremløbet er mindre end 5,0 L/min, aktiveres fejlen for fremløbshastighed.

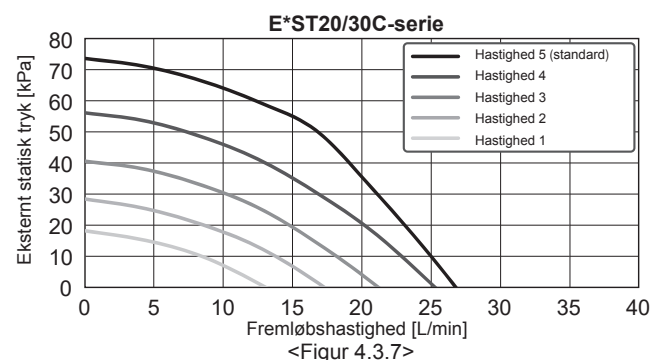
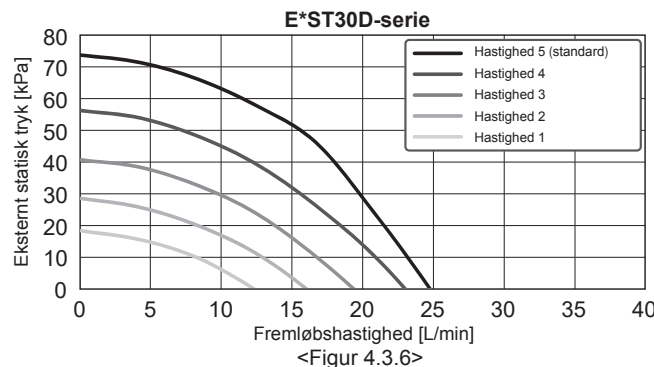
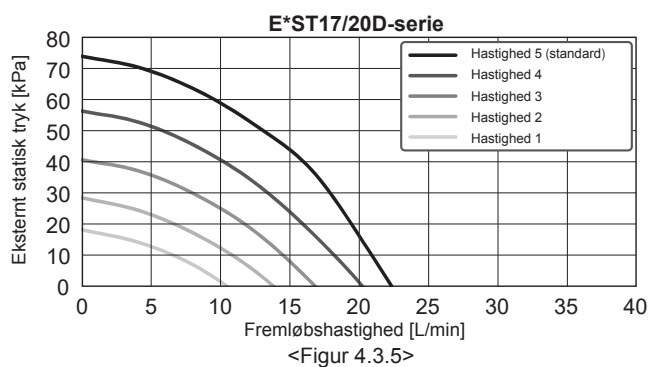
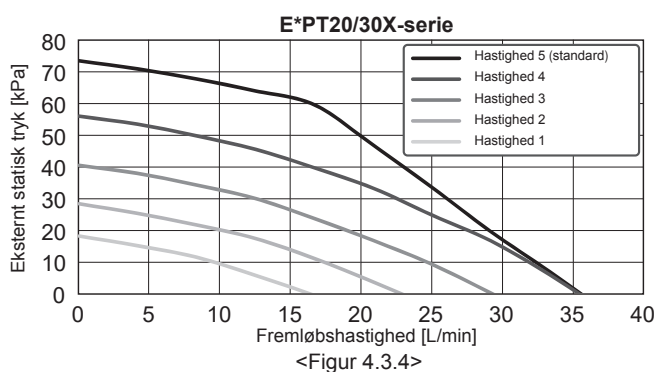
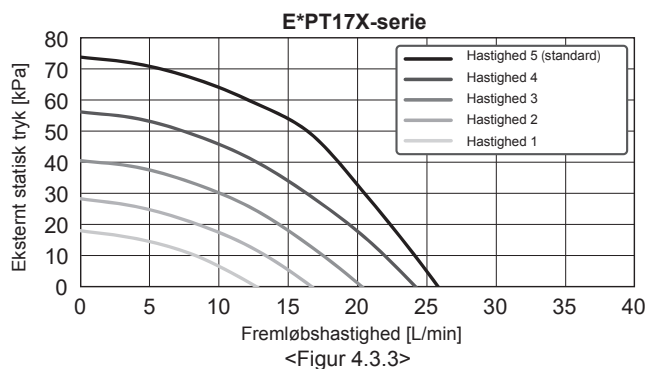
Hvis vandfremløbet overskrider 36,9 L/min (serie E**T20/30) eller 25,8 L/min (serie E**T17), er fremløbshastigheden større end 2,0 m/s., hvilket kan slide på rørene.

2. Sanitetskredsløb

Standard: Hastighed 2

Cirkulationspumpen til brugsvand SKAL stilles på hastighed 2.

Egenskaber for cirkulationspumpe



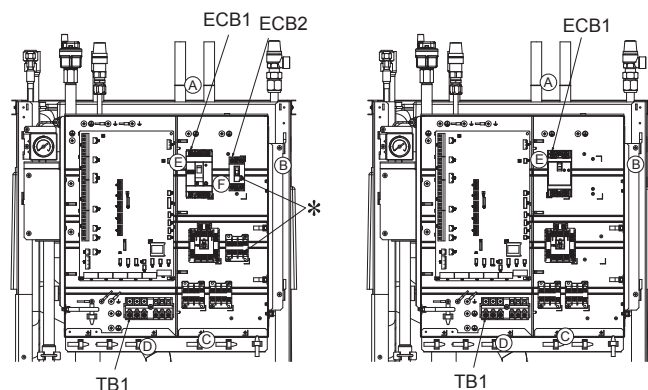
*Ved installation af E*PT-serien indstilles dens pumpehastighed med et trykfald mellem tank modulet (unit) og ude delen indregnet i det eksterne statiske tryk.

4 Installation

4.4 Elektrisk tilslutning

Alt elarbejde skal udføres af en kvalificeret fagmand. Overholdes dette ikke, kan det medføre død ved elektrisk stød, brand og dødsfald. Det ugyldiggør også produktgarantien. Al ledningsføring skal udføres i henhold til nationale bestemmelser for ledningsføring.

Afbryderforkortelser	Betydning
ECB1	HPFI afbryder til tilskudsvarme
ECB2	HPFI afbryder til el-varmelegme (el-patron)
TB1	Klemrække 1



<1 - faset (med el-varmelegme (el-patron))>

<3 - faset (uden dyppekoger)>

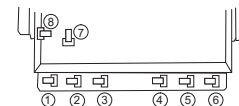
Tank modulet (unit) kan drives på to måder.

1. Strømkabel trukket fra ude delen til tank modulet (unit).
2. Tank modul (unit) udstyret med en uafhængig strømkilde.

Tilslutninger bør udføres til de tilslutninger, som er anført på figurene nedenfor til venstre, afhængigt af fasen.

Tilskudsvarme og el-varmelegme (el-patron) bør tilsluttes uafhængigt af hinanden til dedikerede strømkilder.

- Lokalt anskaffede ledninger skal indsættes gennem åbninger placeret oven på tank modulet (unit). (Se <Tabel 3.4>.)
- Ledningerne skal trækkes ned langs styring og tilslutningsboksens højre side og samles med de medfølgende clips.
- Ledningerne skal indsættes enkeltvist gennem kabel tilslutningerne (forskruing) som nedenfor.
 - Udgangsledning
 - Indendørs-udendørsledning
 - Strømkabel(B.H.)/Strømkabel (I.H.)(valgfri)
 - Signalindgangsledning
- Tilslut tilslutningskablet til ude delen – tank modulet (unit) til TB1.
- Tilslut strømkablet til tilskudsvarmen til ECB1.
- Hvis der er et el-varmelegme (el-patron), tilsluttes strømkablet til ECB2.

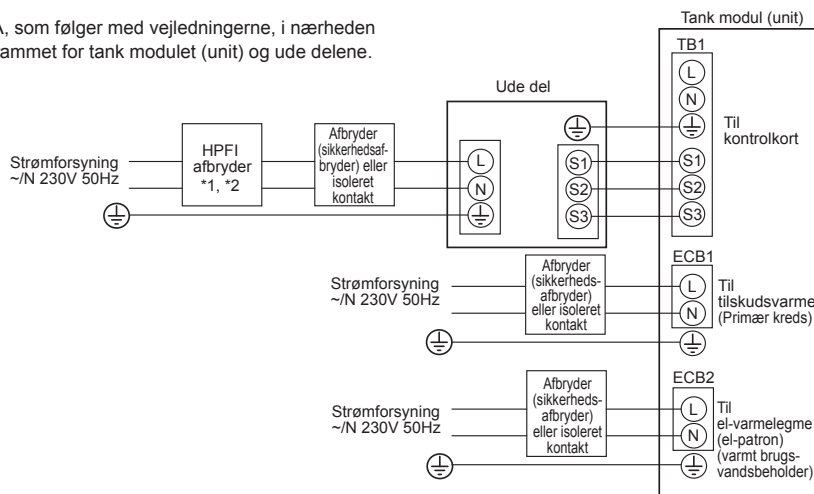


- Undgå kontakt mellem ledninger og dele (*).
- Sørg for at ECB1 og ECB2 er slået TIL.
- Ved afslutning af ledningsføringen skal det sikres at hovedstyringsenhedens kabel er tilsluttet til relæstikket.

Tank modulet (unit) strømforsynet via ude del
(Hvis du ønsker at anvende en separat kilde, skal du besøge Mitsubishi's hjemmeside.)

<1 - faset>

Påsat etikette A, som følger med vejledningerne, i nærheden af ledningsdiagrammet for tank modulet (unit) og ude delene.



<Figur 4.4.1>
Elektriske tilslutninger 1 - faset

- *1. Hvis den installerede HPFI afbryder ikke har en funktion til beskyttelse mod overstrøm, skal der installeres en afbryder med den funktion på den samme strømlinje.
- *2. Der skal anvendes en afbryder med mindst 3,0 mm kontaktdiskilse i hver pol. Anvend et fejlstrømsrelæ (NV). Afbryderen er nødvendig for at sikre afbrydelse af alle aktive faseledere på forsyningen.
- *3. Maks. 45 m
Hvis der anvendes 2,5 mm², maks. 50 m
Hvis der anvendes 2,5 mm² og S3 adskilt, maks. 80 m
- *4. Værdierne i tabellen ovenfor er ikke altid målt i forhold til grundværdien.

Beskrivelse	Strømforsyning	Kapacitet	Afbryder	Ledning
Tilskudsvarme (Primær kredsløb)	~N 230 V 50 Hz	2 kW 6 kW	16 A *2 32 A *2	2,5 mm ² 6,0 mm ²
El-varmelegme (el-patron) (varmt brugsvandsbeholder)	~N 230 V 50 Hz	3 kW	16 A *2	2,5 mm ²

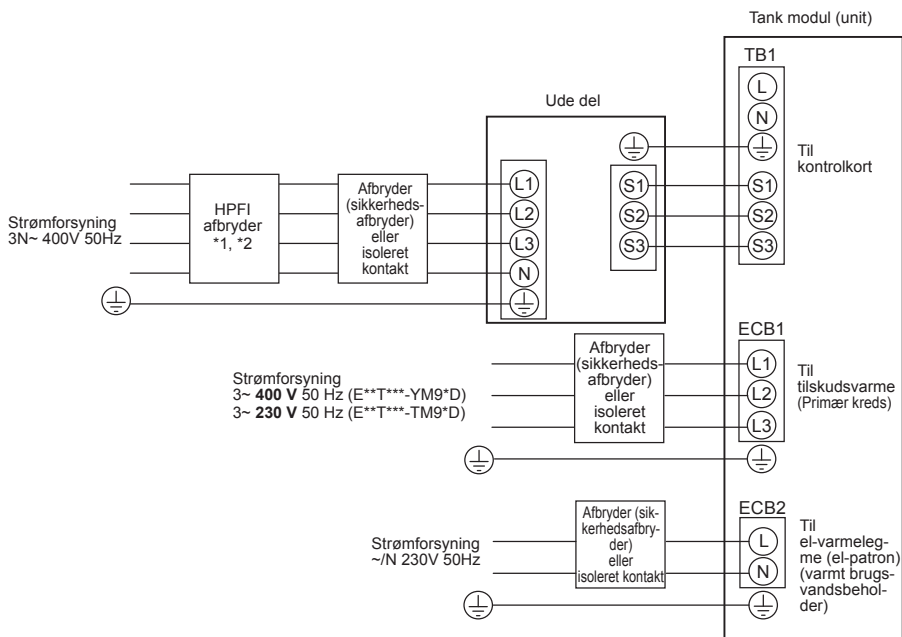
Ledning Antal ledninger x størrelse (mm ²)	Tank modul (unit) - ude del	*3	3 x 1,5 (polær)
	Tank modul (unit) - ude del jord	*3	1 x min. 1,5
Mærke- last for kredsløb	Tank modul (unit) - ude del S1 - S2	*4	230V AC
	Tank modul (unit) - ude del S2 - S3	*4	24V DC

- Bemærk:**
1. Ledningsstørrelsen skal være i overensstemmelse med gældende lokale og nationale bestemmelser.
 2. Tilslutningsledninger til inde del/ude del må ikke være lettere end isoleret fleksibel polychloroprenledning. (Design 60245 IEC 57)
Strømforsyningsledninger til inde del må ikke være lettere end isoleret fleksibel polychloroprenledning. (Design 60227 IEC 53)
 3. Installer en jordledning, der er længere end andre kabler.
 4. Sørg for tilstrækkelig udgangskapacitet til strømforsyning af hver enkelt varmeenhed. Mangel på strømforsyningskapacitet kan medføre skrattende lyde.

4 Installation

<3 - faset>

Påsat etikette A, som følger med vejledningerne, i nærheden af ledningsdiagrammet for tank modulet (unit) og ude delene.



<Figur 4.4.2>
Elektriske tilslutninger 3 - faset

Beskrivelse	Strømforsyning	Kapacitet (Inde del, kølemiddel)	Afbryder	Ledning
Tilskudsvarme (Primær kredsløb)	3~ 400 V 50 Hz	9 kW	16 A *2	2,5 mm ²
	3~ 230 V 50 Hz	9 kW	32 A *2	6,0 mm ²
El-varmelegme (el-patron) (varmt brugsvandsbeholder)	~N 230 V 50 Hz	3 kW	16 A *2	2,5 mm ²

Ledning Antal ledninger x størrelse (mm ²)	Tank modul (unit) - ude del	*3	3 × 1,5 (polær)
	Tank modul (unit) - ude del jord	*3	1 × min. 1,5
Mærkelast for kredsløb	Tank modul (unit) - ude del S1 - S2	*4	230 V AC
	Tank modul (unit) - ude del S2 - S3	*4	24 V DC

*1. Hvis den installerede HPFI afbryder ikke har en funktion til beskyttelse mod overstrøm, skal der installeres en afbryder med den funktion på den samme strømlinje.

*2. Der skal anvendes en afbryder med mindst 3,0 mm kontaktskillelse i hver pol. Anvend et fejlstrømsrelæ (NV). Afbryderen er nødvendig for at sikre afbrydelse af alle aktive faseledere på forsyningen.

*3. Maks. 45 m

Hvis der anvendes 2,5 mm², maks. 50 m

Hvis der anvendes 2,5 mm² og S3 adskilt, maks. 80 m

*4. Værdierne i tabellen ovenfor er ikke altid målt i forhold til grundværdierne.

Bemærk: 1. Ledningsstørrelsen skal være i overensstemmelse med gældende lokale og nationale bestemmelser.

2. Tilslutningsledninger til inde del/ude del må ikke være lettere end isoleret fleksibel polychloroprenledning. (Design 60245 IEC 57)
Strømforsyningsledninger til inde del må ikke være lettere end isoleret fleksibel polychloroprenledning. (Design 60227 IEC 53)

3. Installer en jordledning, der er længere end andre kabler.

4. Sørg for tilstrækkelig udgangskapacitet til strømforsyning af hver enkelt varmeenhed. Mangel på strømforsyningskapacitet kan medføre skrattende lyde.

5 Systemopsætning

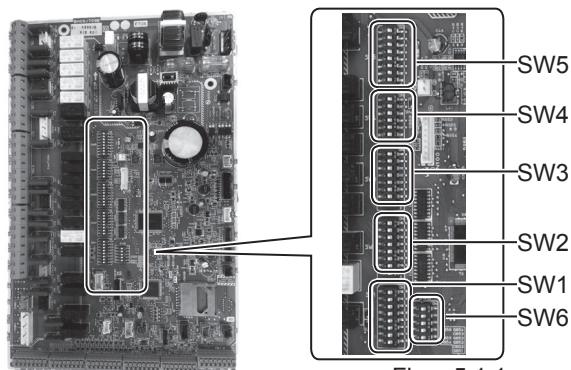
5.1 DIP-kontaktfunktioner

DIP-kontaktnummeret er trykt på datakortet ud for de relevante kontakter. Der er trykt ordet ON (TIL) på datakortet og på selve DIP-kontaktblokken. For at flytte kontakten skal du anvende en nål eller hjørnet af en tynd metallineal eller lignende.

DIP-kontaktindstillingerne er vist nedenfor i tabel 5.1.1.

Det er kun en autoriseret installatør, der må ændre DIP-kontaktindstillingen under ens eget ansvar i overensstemmelse med installationsbetingelserne.

Sørg for at slukke for strømforsyningerne til både indendørsenheden og udendørsenheden, inden kontaktindstillingerne ændres.



<Figur 5.1.1>

DIP-kontakt	Funktion	FRA	TIL	Standardindstillinger: Indendørsenhedsmodel			
SW1	SW1-1 Kedel	UDEN kedel	MED kedel	FRA			
	SW1-2 Maksimal temperatur på udgangsvand fra varmepumpe	55 °C	60 °C	TIL *1			
	SW1-3 Varmt brugsvandsbeholder	UDEN varmt brugsvandsbeholder	MED varmt brugsvandsbeholder	TIL			
	SW1-4 El-varmelegeme (el-patron)	UDEN el-varmelegeme (el-patron)	MED el-varmelegeme (el-patron)	FRA: Undtagen EHPT20X-MHEDW TIL : EHPT20X-MHEDW			
	SW1-5 Tilskudsvarme	UDEN tilskudsvarme	MED tilskudsvarme	FRA: E**T***-M*ED* TIL : E**T***-M 2/6/9*D			
	SW1-6 Tilskudsvarmefunktion	Kun til opvarmning	Til opvarmning og varmt brugsvand	FRA: E**T***-M*ED* TIL: E**T***-M 2/6/9*D			
	SW1-7 Udendørsenhedsstype	Splittype	Kompakt type	FRA: E*ST***-M**D TIL : E*PT***X-*M**D*			
	SW1-8 Trådløs fjernbetjening	UDEN trådløs fjernbetjening	MED trådløs fjernbetjening	FRA			
SW2	SW2-1 Rumtermostat 1 indgang (IN1) logisk ændring	Zone1 driftsstop ved termostat kortslutning	Zone1 driftsstop ved termostat åben	FRA			
	SW2-2 Fremløbsføler 1 indgang (N2) logisk ændring	Fejldetektion ved kortslutning	Fejldetektion ved åben	FRA			
	SW2-3 Tilskudsvarme-begrænsningskapacitet	Inaktiv	Aktiv	FRA: Undtagen E**T***-VM2*D TIL : E**T***-VM2*D			
	SW2-4 Køletilstandsfunktion	Inaktiv	Aktiv	FRA: EH*T***-M**D* TIL : ER*T***-M**D			
	SW2-5 Automatisk skift til drift af backupvarmekilde (når udendørsenheden stopper pga. fejl)	Inaktiv	Aktiv *2	FRA			
	SW2-6 Buffertank	UDEN buffertank	MED buffertank	FRA			
	SW2-7 2-zonetemperaturkontrol	Inaktiv	Aktiv *6	FRA			
	SW2-8 Flow sensor	UDEN Flow sensor	MED Flow sensor	TIL			
SW3	SW3-1 Rumtermostat 2 indgang (IN6) logisk ændring	Zone2 driftsstop ved termostat kortslutning	Zone2 driftsstop ved termostat åben	FRA			
	SW3-2 Fremløbsføler 2 indgang (IN3) logisk ændring	Fejldetektion ved kortslutning	Fejldetektion ved åben	FRA			
	SW3-3 3-vejsventil	Vekselstrømsmotor	Stepmotor	FRA: Undtagen E**T17X/17D/20D-*M**D* TIL: E**T17X/17D/20D-*M**D			
	SW3-4 Elektrisk energimåler	UDEN elektrisk energimåler	MED elektrisk energimåler	FRA			
	SW3-5 Opvarmningsfunktionsdrift *3	Inaktiv	Aktiv	TIL			
	SW3-6 2-zone-ventil – ON/OFF-kontrolenhed	Inaktiv	Aktiv	FRA			
	SW3-7 Varmevexler til varmt brugsvand	Spole i beholder	Udvendig plade-HEX	TIL			
	SW3-8 Varmemåler	UDEN varmemåler	MED varmemåler	FRA			
SW4	SW4-1	—	—	FRA			
	SW4-2	—	—	FRA			
	SW4-3	—	—	FRA			
	SW4-4 Brug af kun indendørsenheden (under installationsarbejde) *4	Inaktiv	Aktiv	FRA			
	SW4-5 Nøddrift (Kun varmefunktion)	Normal	Nøddrift (Kun varmefunktion)	FRA *5			
	SW4-6 Nøddrift (Kedelfunktion)	Normal	Nøddrift (Kedelfunktion)	FRA *5			
SW5	SW5-1	—	—	FRA			
	SW5-2 Avanceret automatisk tilpasning	Inaktiv	Aktiv	TIL			
	SW5-3	Kapacitetskode					
	SW5-4		SW5-3	SW5-4	SW5-5	SW5-6	SW5-7
	SW5-5	E**T**C-*M**D	TIL	TIL	TIL	TIL	FRA
	SW5-6	E**T**D-*M**D	TIL	FRA	FRA	TIL	FRA
	SW5-7	E**T**X-*M**D*	FRA	FRA	FRA	FRA	FRA
	SW5-8	—	—	—	—	—	FRA
SW6	SW6-1	—	—	FRA			
	SW6-2	—	—	FRA			
	SW6-3 Tryksensor	Inaktiv	Aktiv	FRA: Undtagen E*ST**D-*M**D TIL: E*ST**D-*M**D			
	SW6-4 Analogt outputsignal (0-10 V)	Inaktiv	Aktiv	FRA			
	SW6-5	—	—	FRA			

<Tabel 5.1.1>

Bemærk: *1. Når cylinderenheden er tilsluttet med en PUMY-P-udendørsenhed, for hvilken den maksimale udgangsvandtemperatur er 55 °C, skal DIP-kontakten SW1-2 indstilles til FRA.

*2. Ekstern udgang (OUT11) vil være tilgængelig. Af sikkerhedsårsager er denne funktion ikke tilgængelig for visse fejl. (I dette tilfælde skal systemdriften stoppes, og kun cirkulationspumpen skal forblive i drift.)

*3. Disse kontakter fungerer kun, hvis cylinderenheden er tilsluttet med en PUHZ-FRP-udendørsenhed. Når der er tilsluttet en anden type udendørsenhed, er opvarmningsfunktionen aktiv, uanset om denne kontakt er slået TIL eller FRA.

*4. Rumvarme og varmt brugsvand kan kun betjenes i inde del såsom en elektrisk kedel. (Se under "5.4 Brug kun af indendørsenheden".)

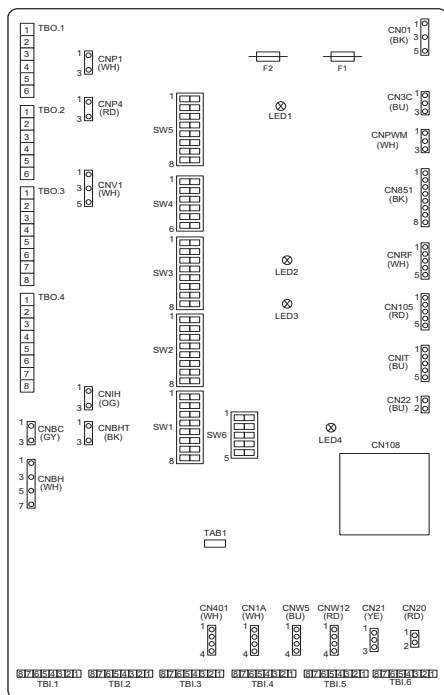
*5. Når nøddrift ikke længere er nødvendig, skal kontakten sættes tilbage til OFF (FRA).

*6. Kun aktiv, når SW3-6 er sat til OFF.

da

5 Systemopsætning

5.2 Tilslutning af indgange/udgange



<Figur 5.2.1>

Ledningsspecifikation og lokale leveringsdele

Punkt	Navn	Model og specifikationer
Signalindgangsfunktion	Signalindgangsledning	Anvend isoleret vinylbelagt ledning eller kabel. Maks. 30 m Ledningstype: CV, CVS eller tilsvarende Ledningsstørrelse: Snoet tråd 0,13 mm ² til 0,52 mm ² Massiv tråd: \varnothing 0,4 mm til \varnothing 0,8 mm
	Kontakt	Spændingsfri "a" kontaktsignaler Fjernbetjeningskontakt: mindste anvendelige belastning 12 VDC, 1 mA

Bemærk:

Snoet tråd skal have en isolationsdækket tilslutning (kompatibel med DIN46228-4-standarden).

Signalindgange

Navn	Klemrække	Tilslutning	Punkt	FRA (Åben)	TIL (Kortsluttet)
IN1	TBI.1 7-8	—	Rumtermostat 1 indgang *1	Se SW2-1 i <5.1 DIP-kontaktfunktioner>.	
IN2	TBI.1 5-6	—	Fremløbsføler 1 indgang	Se SW2-2 i <5.1 DIP-kontaktfunktioner>.	
IN3	TBI.1 3-4	—	Fremløbsføler 2 indgang (Zone1)	Se SW3-2 i <5.1 DIP-kontaktfunktioner>.	
IN4	TBI.1 1-2	—	Kræv kontrol indgang	Normal	Varmekilde FRA/ kedeldrift *3
IN5	TBI.2 7-8	—	Udendørstermostatindgang *2	Standarddrift	Varmedrift/kedeldrift *3
IN6	TBI.2 5-6	—	Rumtermostat 2 indgang *1	Se SW3-1 i <5.1 DIP-kontaktfunktioner>.	
IN7	TBI.2 3-4	—	Fremløbsføler 3 indgang (Zone2)	Se SW3-2 i <5.1 DIP-kontaktfunktioner>.	
IN8	TBI.3 7-8	—	Elektrisk energimåler 1	*4	
IN9	TBI.3 5-6	—	Elektrisk energimåler 2		
IN10	TBI.2 1-2	—	Varmemåler		
IN11	TBI.3 3-4	—	Input for Smart net klar	*5	
IN12	TBI.3 1-2	—			
INA1	TBI.4 1-3	CN1A	Flow sensor	—	—

*1. Stil rumtermostatens tænd/sluk-cyklistid til 10 minutter eller mere, da kompressoren ellers kan blive beskadiget.

*2. Hvis der anvendes en udendørstermostat til kontrol af varmedriften, kan leveliden for varmelegemerne og relaterede dele muligvis blive reduceret.

*3. For at slå kedeldrift til skal du anvende hovedkontrolenheden til at vælge "Kedel" på skærmen "Eksternt inputindstillinger" i servicemenuen.

*4. Elektrisk energimåler og varmemåler, der kan tilsluttes

- Impulstype Spændingsfri kontakt til registrering af 12 VDC fra FTC (TBI.2 ben 1, TBI.3 ben 5 og 7 har positiv spænding.)
- Impulsvarighed Minimum TIL-tid: 40 ms
Minimum FRA-tid: 100 ms
- Mulig impulsenhed 0,1 impulser/kWh 1 impuls/kWh 10 impulser/kWh
100 impulser/kWh 1000 impulser/kWh

Disse værdier kan indstilles af hovedkontrolenheden. (Se i menu træet i "Hovedkontrolenhed".)

*5. Se "5.5 Smart net klar" angående Smart net klar.

Termistorindgange

Navn	Klemrække	Tilslutning	Punkt	Ekstraudstyrmodel
TH1	—	CN20	Termistor (rumtemperatur) (Ekstraudstyr)	PAC-SE41TS-E
TH2	—	CN21	Termistor (Kølemiddeltemperatur)	—
THW1	—	CNW12 1-2	Termistor (fremløbsvandtemperatur)	—
THW2	—	CNW12 3-4	Termistor (Returvandtemperatur)	—
THW5A	—	CNW5 1-2	Termistor (Øvre vandtemperatur for beholder til varmt brugsvand)	—
THW5B	—	CNW5 3-4	Termistor (Nedre vandtemperatur for beholder til varmt brugsvand)	—
THW6	TBI.5 7-8	—	Termistor (Zone1-fremløbsvandtemperatur) (Ekstraudstyr) *1	PAC-TH011-E
THW7	TBI.5 5-6	—	Termistor (Zone1-returvandtemperatur) (Ekstraudstyr) *1	
THW8	TBI.5 3-4	—	Termistor (Zone2-fremløbsvandtemperatur) (Ekstraudstyr) *1	PAC-TH011-E
THW9	TBI.5 1-2	—	Termistor (Zone2-returvandtemperatur) (Ekstraudstyr) *1	
THWB1	TBI.6 7-8	—	Termistor (Kedelfremløbsvandtemperatur) (Ekstraudstyr) *1	PAC-TH012HT-E(5 m/
THW10	TBI.6 5-6	—	Termistor (Vandtemperatur i bufferbeholder.) (Ekstraudstyr) *1	PAC-TH012HTL-E(30 m)

Sørg for at føre termistorledningerne på afstand af strømledning og/eller OUT1- til 16-ledningerne.

*1. Den maksimale længde af termistorledningen er 30 m.

Længden af de valgfri termistorer er 5 m. Hvis du har brug for at splejse og forlænge ledningerne, skal du benytte følgende fremgangsmåde.

- 1) Forbind ledningerne ved at lodde dem sammen.
- 2) Isolér hvert forbindelsespunkt mod støv og vand. Snoet tråd skal have en isolationsdækket tilslutning (kompatibel med DIN46228-4-standarden).

5 Systemopsætning

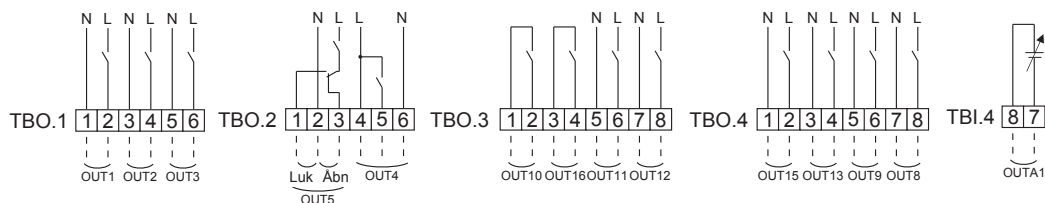
Udgange

Navn	Klemrække	Tilslutning	Punkt	FRA	TIL	Signal/maks. strøm	Maks. strøm i alt
OUT1	TBO.1 1-2	CNP1	Cirkulationspumpe 1 udgang (Rumvarme/-afkøling og brugsvand)	FRA	TIL	230 V AC 1,0 A maks. (Startstrøm maks. 40 A)	4,0 A (a)
OUT2	TBO.1 3-4	—	Cirkulationspumpe 2 udgang (Rumvarme/-afkøling for zone1)	FRA	TIL	230 V AC 1,0 A maks. (Startstrøm maks. 40 A)	
OUT3	TBO.1 5-6	—	Cirkulationspumpe 3 udgang (Rumvarme/-afkøling for zone2) *1 2-vejsventil 2b-udgang *2	FRA	TIL	230 V AC 1,0 A maks. (Startstrøm maks. 40 A)	
OUT14	—	CNP4	Cirkulationspumpe 4 udgang (varmt brugsvand)	FRA	TIL	230 V AC 1,0 A maks. (Startstrøm maks. 40 A)	
OUT4	TBO.2 4-6	CNV1	3-vejsventil (2-vejsventil) udgang	Varme	VB	230 V AC 0,1 A maks.	3,0 A (b)
	—	CN851	3-vejsventil udgang				
OUT5	TBO.2 1-2	—	Blandeventil udgang *1	Stop	Luk	230 V AC 0,1 A maks.	
	TBO.2 2-3			Abn			
OUT6	—	CNBH 1-3	Tilskudsvarme 1 udgang	FRA	TIL	230 V AC 0,5 A maks. (Relæ)	
OUT7	—	CNBH 5-7	Tilskudsvarme 2 udgang	FRA	TIL	230 V AC 0,5 A maks. (Relæ)	
OUT8	TBO.4 7-8	—	Kølesignalsudgang	FRA	TIL	230 V AC 0,5 A maks.	
OUT9	TBO.4 5-6	CNIH	El-varmelegeme (el-patron)-udgang	FRA	TIL	230 V AC 0,5 A maks. (Relæ)	
OUT11	TBO.3 5-6	—	Fejlsudgang	Normal	Fejl	230 V AC 0,5 A maks.	
OUT12	TBO.3 7-8	—	Afrimningsudgang	Normal	Afrimning	230 V AC 0,5 A maks.	
OUT13	TBO.4 1-2	—	2-vejsventil 2a udgang *2	FRA	TIL	230 V AC 0,1 A maks.	
OUT15	TBO.3 1-2	—	Comp ON-signal	FRA	TIL	230 V AC 0,5 A maks.	
OUT10	TBO.3 3-4	—	Kedeludgang	FRA	TIL	Kontakt uden spænding ·220 - 240 V AC (30 V DC) ·0,5 A eller mindre ·10 mA 5 V jævnstrøm eller mere	—
OUT16	TBO.3 3-4	—	Varme/køl termosignal TÆNDT	FRA	TIL		
OUTA1	TBI.4 7-8	—	Analog udgang		0 - 10 V	0 - 10 V DC 5 mA maks.	—

Tilslut ikke de tilslutninger, der er indikeret som "—" i "Klemrække"-feltet.

*1 For 2-zonetemperaturkontrol.

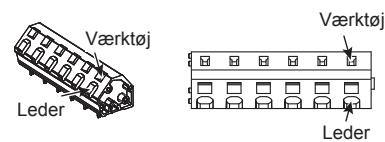
*2 For 2-zoneventil – ON/OFF-kontrolenhed.



Ledningsspecifikation og lokale leveringsdele

Punkt	Navn	Model og specifikationer
Ekstern udgangsfunktion	Signalindgangsledning	Anvend isoleret vinylbelagt ledning eller kabel. Maks. 30 m Ledningstype: CV, CVS eller tilsvarende Ledningsstørrelse: Snoet tråd 0,25 mm ² til 1,5 mm ² Massiv tråd: ø 0,57 mm til ø 1,2 mm

Sådan bruges TBO.1 til 4



Oversigt Set oppefra
Tilslut dem på en af de måder, der er vist ovenfor.
<Figur 5.2.2>

Bemærk:

- Når cylinderenheden strømforsynes via udendørsenheden, er den maksimale samlede strøm af (a)+(b) på 3,0 A.
- Tilslut ikke flere cirkulationspumper direkte til hver enkelt udgang (OUT1, OUT2 og OUT3). I sådant tilfælde skal de tilsluttes via (et) relæ(er).
- Tilslut ikke cirkulationspumper til både TBO.1 1-2 og CNP1 på samme tid.
- Tilslut en passende overspændingsbeskytter til OUT10 (TBO.3 1-2) i henhold til belastningen på stedet.
- Snoet tråd skal have en isolationsdækket tilslutning (kompatibel med DIN46228-4-standarden).
- Brug samme ting som for indgangskablet for signalet til OUTA1-kablet.

5.3 Ledningsføring til 2-zonetemperaturkontrol

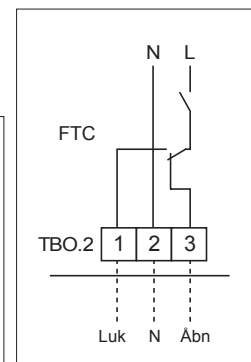
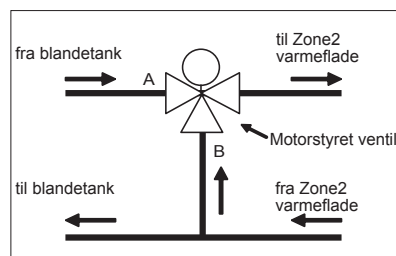
Tilslut rørene og de lokalt leverede dele i overensstemmelse i henhold til det relevante kredsløbsdiagram "Lokalt system" i afsnit 3 i denne brugsanvisning.

<Blandeventil>

Bemærk: Forbind signallinjen til den åbne Port A (indløbsport for varmt brugsvand) til TBO. 2-3 (Abn), signallinjen til den åbne Port B (indløbsport for koldt vand) til TBO. 2-1 (Luk) og den neutrale tilslutningsledning til TBO. 2-2 (N).

<Termistor>

- Installer ikke termistorerne på bufferbeholderen.
- Installer Zone2-fremløbstemperaturtermistoren (THW8) i nærheden af blandeventilen.
- Termistorledningens maksimale længde er 30 m.
- De valgfri termistorers længde er 5 m. Hvis du har brug for at splejse og forlænge ledningerne, skal du benytte følgende fremgangsmåde.
 - Forbind ledningerne ved at lodde dem sammen.
 - Isoler hvert forbindelsespunkt mod støv og vand.

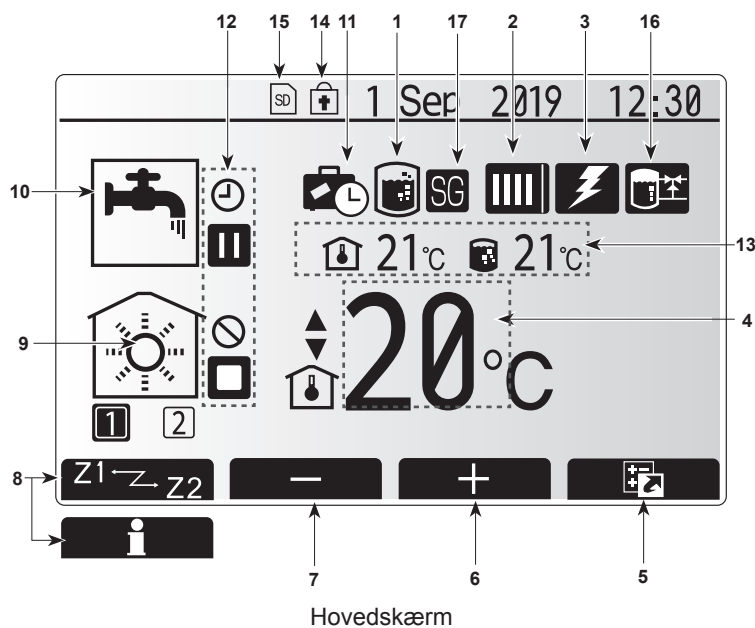
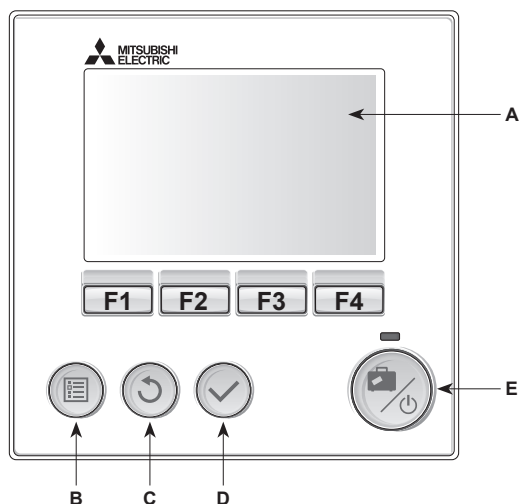


5 Systemopsætning

5.7 Hovedkontrolenhed

For at ændre dit varme-/kølesystems indstillinger bør du bruge hovedstyringsenheden på frontpanelet på tankmodulet (unit) eller hydroboksen. Følgende er en guide til at se de vigtigste indstillinger. Hvis du har brug for flere oplysninger, bør du kontakte din installatør eller en lokal Mitsubishi Electric-forhandler.

Kølefunktion findes kun i ERS-serien. Men kølefunktion er ikke tilgængelig, når indendørsenheden er forbundet til PUAZ-FRP.



<Hovedkontrolenhedsdele>

Bogstav	Navn	Funktion
A	Skærm	Skærm, hvorpå al information vises.
B	Menu	Adgang til systemindstillinger for startopsætning og modificeringer.
C	Tilbage	Vender tilbage til forrige menu.
D	Bekræft	Anvendes til at vælge eller gemme. (Enter-tast)
E	Tænd-sluk/ferie	Hvis systemet er slukket, tænder systemet, hvis der trykkes én gang. Trykkes der igen, når systemet er tændt, aktiveres feriefunktion. Holdes knappen nede i 3 sekunder, slukkes systemet. (*1)
F1-4	Funktionstaster	Anvendes til at rulle gennem menu og justeringsindstillinger. Funktion er bestemt af den menu-skærm, der ses på skærm A.

*1

Når systemet er slukket, eller strømforsyningen er afbrudt, fungerer tankmodulets (unit) beskyttelsesfunktioner (f.eks. frostbeskyttelsesfunktion) IKKE.

Vær opmærksom på, at uden disse sikkerhedsfunktioner aktiveret kan tankmodulet (unit) blive beskadiget.

<Hovedskærmikoner>

	Ikon	Beskrivelse
1	Forebyggelse af legionella	Når dette ikon vises, er "Legionella-forebyggelsesfunktion" aktiveret.
2	Varmepumpe	"Varmepumpe" kører.
		Afrimning.
		Nødopvarmning.
		'Stille tilstand' er aktiveret.
3	El-varme	Når dette ikon vises, er de "elektriske varmere" (tilskudsvarme eller el-varmelegeme (el-patron)) i brug.
4	Måltemperatur	Målfremløbstemperatur
		Målrumbtemperatur
		Varmekurve
5	FUNKTION	Trykkes der på denne funktionsknop, åbnes funktionsmenu.
6	+	Forøg ønsket temperatur.
7	-	Sænk ønsket temperatur.
8	Z1-Z2	Trykkes der på funktionsknappen nedenfor, skifter dette ikon mellem Zone1 og Zone2.
		Information
9	Rumvarme/afkølingsfunktion	Varmefunktion Zone1 eller Zone2
		Kølefunktion Zone1 eller Zone2
10	Tid	Normal eller økofunktion
11	Feriefunktion	Når dette ikon vises, er "feriefunktion" aktiveret.
12	[Timer, Forbudt, Serverkontrol, Stand-by, Stand-by (*2), Stop, Arbejder]	Timer
		Forbudt
		Serverkontrol
		Stand-by
		Stand-by (*2)
		Stop
Arbejder		
13	Aktuel temperatur	Aktuel rumtemperatur
		Aktuel vandtemperatur i varmt brugsvandsbeholder
14	[Lock]	Menuknappen er låst, eller skift af driftsfunktionerne mellem varmt brugsvand og varmedrift er deaktiveret på Funktionskærmen. (*3)
15	[SD]	Der er indsat et SD-kort. Normal drift.
		Der er indsat et SD-kort. Unormal drift.
16	Buffer beholder kontrol	Når dette ikon vises, er 'bufferbeholderkontrollen' aktiveret.
17	Smart net klart	Når dette ikon vises, er "Smart net klart"-funktionen aktiveret.

*2 Denne enhed er i standbytilstand, mens den eller de øvrige indendørsenheder er i drift med prioritet.

*3 Hvis du vil låse eller åbne menuen, skal du trykke på TILBAGE- og BEKRÆFT-tasterne samtidigt i 3 sekunder.

da

5 Systemopsætning

■ [Indledende indstillingsguide]

Når hovedkontrolenheden tændes for første gang, går skærmen automatisk hen på sprogindstillingskærmen, dato/tid-indstillingskærmen og hovedindstillingsmenuen i den nævnte rækkefølge. Indtast det ønskede nummer ved hjælp af funktionstasterne, og tryk på BEKRÆFT.

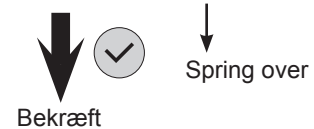
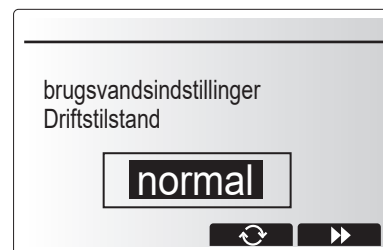
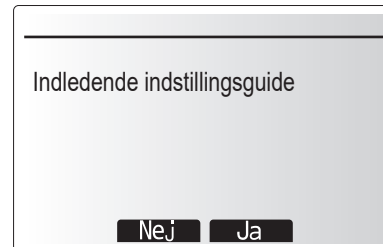
Bemærk:

<[VARMEKAPACITETSBEGRÆNSNING]>

Denne indstilling begrænser tilskudsvarmekapaciteten. Det er IKKE muligt at ændre indstillingen efter opstart.

Hvis du ikke har nogen særlige krav (såsom byggeribestemmelser) i dit land, skal du springe denne indstilling over (vælg "Nej").

- [Varmt brugsvand (VB/Legionella)]
- [Varme]
- [Drift (TIL/Forbud/Timer)]
- [Pumpehastighed]
- [Varmepumpe flow-hast.inter.]
- [Blandeventilstyring]
- [VARMEKAPACITETSBEGRÆNSNING]



da

■ Hovedindstillingsmenu

Hovedindstillingsmenuen kan åbnes vha. tryk på MENU-knappen. For at reducere risikoen for, at utrænede slutbrugere ændrer indstillingerne utilsigtet, er der to adgangsniveauer for hovedindstillingerne; og serviceafsnitsmenuen er beskyttet med en adgangskode.

Brugerniveau – Kort tryk

Hvis der trykkes én gang på MENU-knappen i et kort tidsrum, vises hovedindstillingerne, men uden redigeringsfunktionen. Dette vil gøre det muligt for brugeren at se de nuværende indstillinger, men IKKE at ændre parametrene.

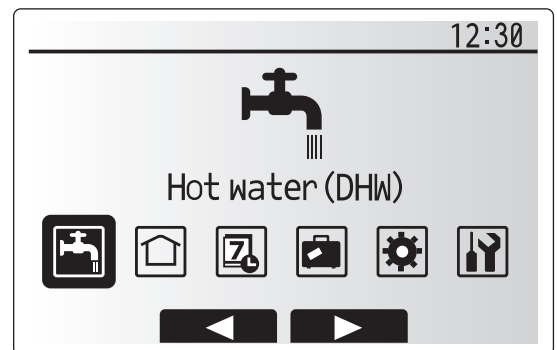
Installatørniveau – Langt tryk

Hvis der trykkes ned på MENU-knappen i 3 sekunder, vises hovedindstillingerne med fuld rådighed over alle funktioner.

Farven af knapperne ◀▶ er omvendt som på billedet til højre.<Figur 5.7.1>

De følgende punkter kan vises og/eller redigeres (afhængigt af adgangsniveauet).

- [Varmt brugsvand]
- [Varme/køl]
- [Timerfunktion]
- [Feriefunktion]
- [Startindstillinger]
- [Service (beskyttet med adgangskode)]



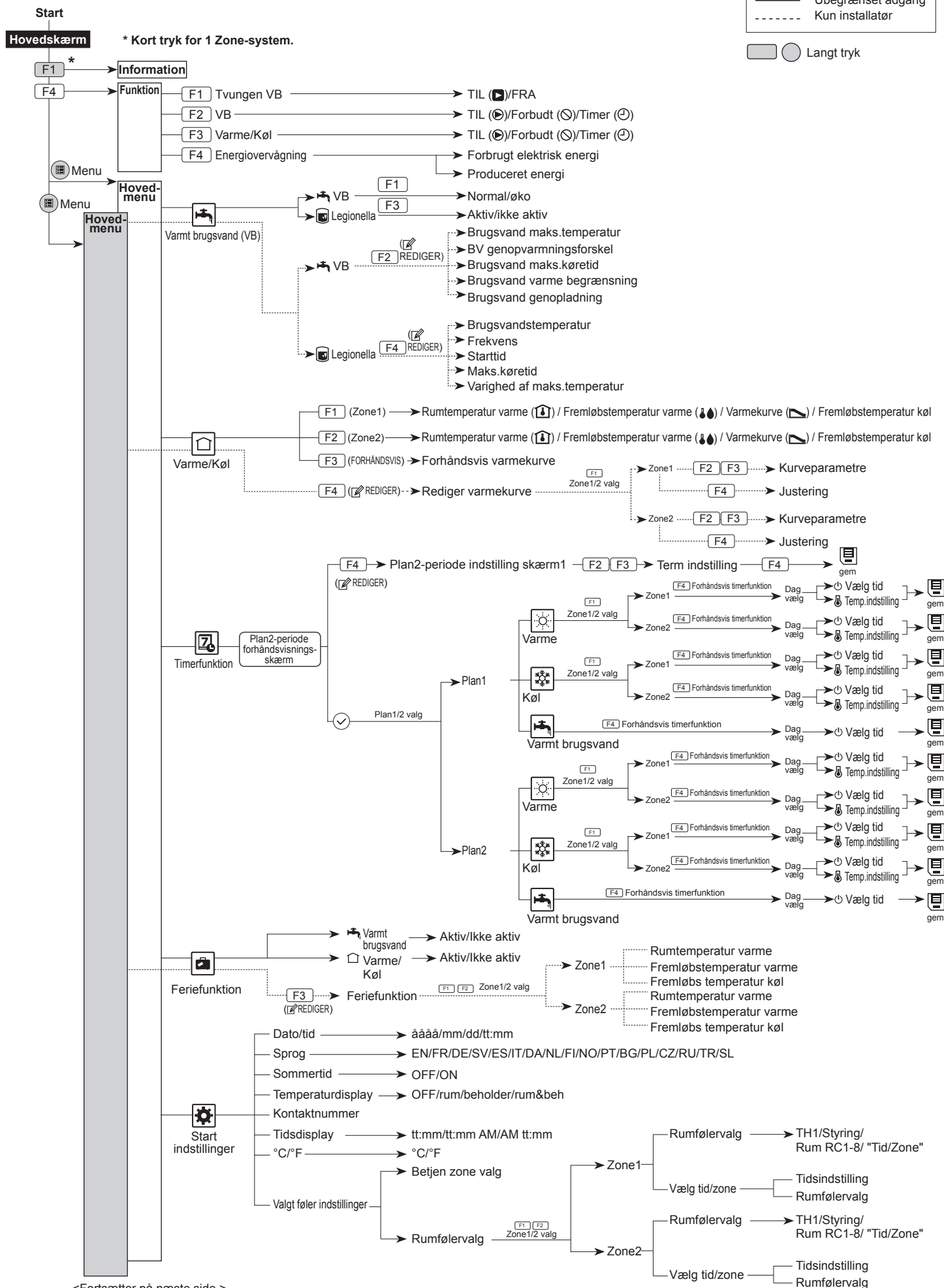
Hovedmenu



<Figur 5.7.1>

5 Systemopsætning

<Menutræ for hovedkontrolenhed>

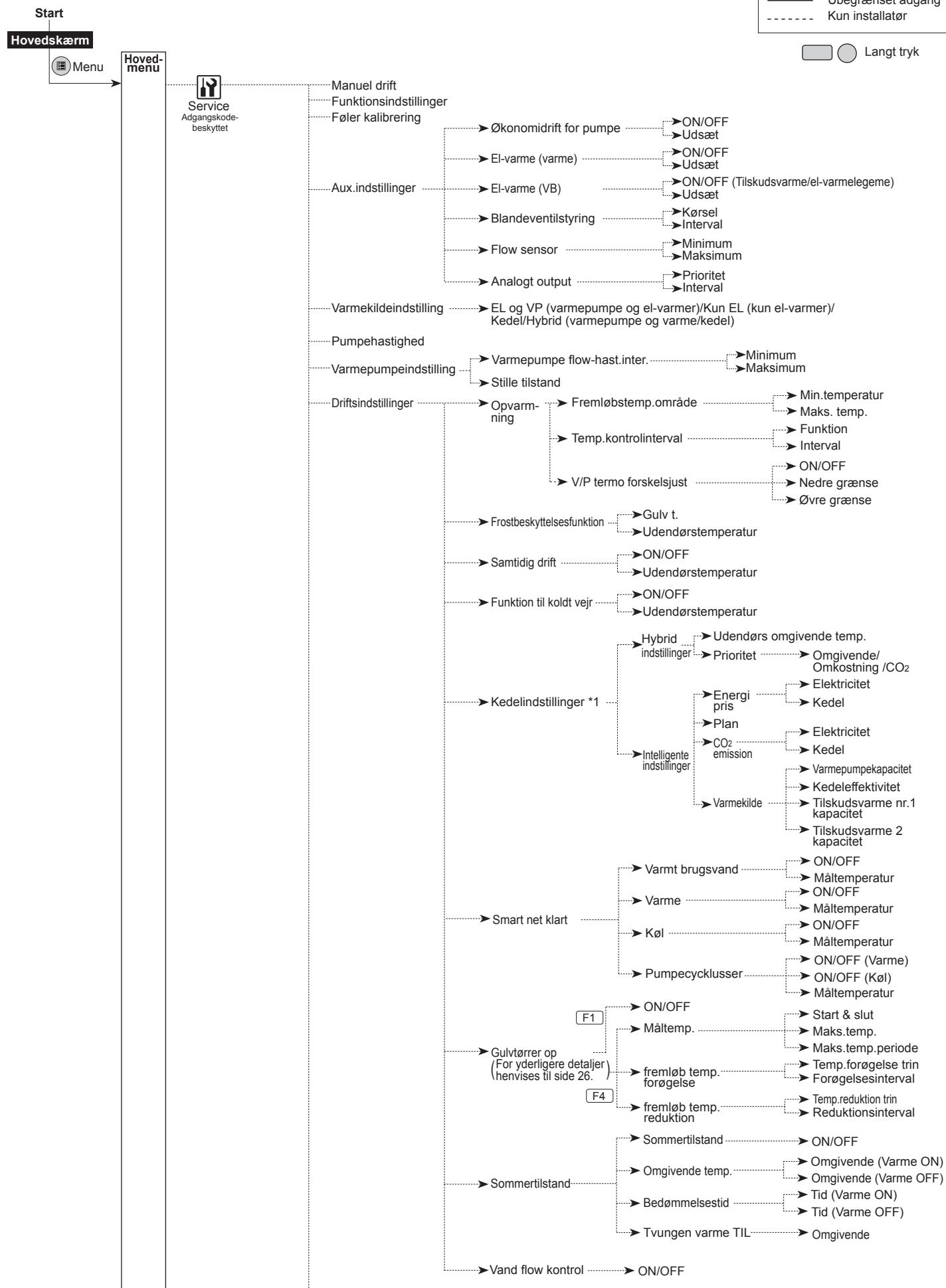


<Fortsætter på næste side.>

5 Systemopsætning

<Fortsat fra forrige side.>

<Menutræ for hovedkontrolenhed>



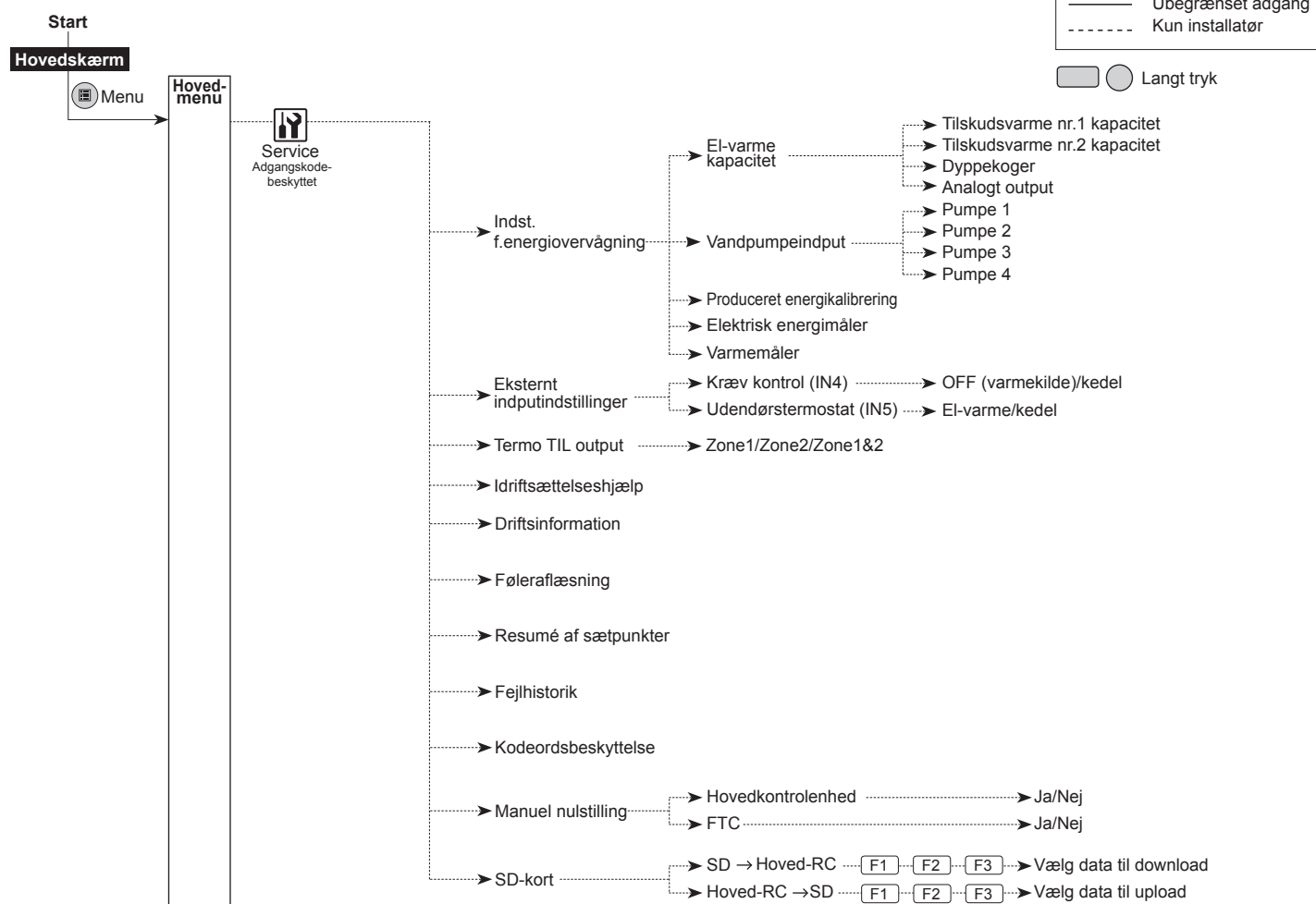
<Fortsætter på næste side.>

*1 For yderligere oplysninger, se installationsmanualen for PAC-TH012HT(L)-E.

5 Systemopsætning

<Fortsat fra forrige side.>

<Menutræ for hovedkontrolenhed>



Varmt brugsvand/legionella-forhindring

Menuerne for varmt brugsvand og legionella-forhindring kontrollerer betjeningen af varmt brugsvandsbeholderens opvarmning.

<Indstillinger for varmt brugsvandsproduktion>

1. Fremhæv ikonet for og tryk på BEKRÆFT.
2. Anvend knappen F1 til at skifte mellem varmfunktionerne normal og ØKO.
3. Hvis du vil redigere tilstanden, skal du trykke på MENU-knappen i 3 sekunder og derefter vælge "varmt brugsvand".
4. Tryk på F2-tasten for at få vist menuen VARMT BRUGSVAND (VB) INDSTILLING.
5. Brug tasterne F2 og F3 til at rulle gennem menuen og på skift vælge hver enkelt komponent ved at trykke på BEKRÆFT. Se tabellen nedenfor angående en beskrivelse af hver enkelt indstilling.
6. Indtast det ønskede nummer vha. funktionstasterne og tryk på BEKRÆFT.



Menuundertekst	Funktion	Område	Enhed	Standardværdi
brugsvand maks.temperatur	Ønsket temperatur på opbevaret varmt brugsvand	40 - 60	°C	50
BV genopvarmningsforskel	Forskell i temperaturen mellem brugsvand maks.temperatur og den temperatur, som varmt brugsvandsproduktion genstarter på	5 - 30 *	°C	10
brugsvand maks.køretid	Maks. køretid for opvarmning af opbevaret vand i varmt brugsvandsproduktion	30 - 120	min	60
brugsvand varme begrænsning	Tidsperioden efter varmt brugsvandsproduktion, når rumopvarmning har prioritet over varmt brugsvandsproduktion og forhindrer yderligere opvarmning af opbevaret vand (Kun når brugsvand maks.køretid er forløbet.)	30 - 120	min	30

* Når temperature for varmt brugsvand er indstillet til over 55°C, skal temperaturen, hvor varmt brugsvandsfunktionen genstarter, være mindre end 50°C for at beskytte apparatet.

<Økofunktion>

Varmt brugsvandsproduktion kan køre i enten "normal"- eller "øko"-funktion. Normalfunktion opvarmer hurtigere vandet i varmt brugsvandsbeholderen vha. varmepumpens fulde kraft. Økofunktionen behøver lidt længere tid til at opvarme vandet i varmt brugsvandsbeholderen, men energiforbruget er reduceret. Dette er fordi, varmedriften er begrænset vha. signaler fra FTC baseret på den målte temperatur i varmt brugsvandsbeholderen.

Bemærk: Den egentlige sparede energi i økofunktion varierer i henhold til den omgivende temperatur udendørs.

<[Genopfyldning af brugsvand]>

Vælg mængden af varmt brugsvand. Hvis du har brug for meget varmt vand, så vælg LARGE, men forøger driftsomkostninger.

Retur til menuen for varmt brugsvand/legionella-forhindring.

da

5 Systemopsætning

Indstillinger for legionella-forhindring (LF-funktion)

1. Anvend knappen F3 for at vælge legionella-funktion aktiv JA/NEJ.
2. Hvis du vil redigere legionellafunktionen, skal du trykke på MENU-knappen i 3 sekunder og vælge "varmt brugsvand" og derefter trykke på F4-tasten.
3. Brug tasterne F1 og F2 til at rulle gennem menuen og på skift vælge hver enkelt undertekst ved at trykke på BEKRÆFT. Se tabellen nedenfor angående en beskrivelse af hver enkelt indstilling.
4. Indtast det ønskede nummer vha. funktionstasterne og tryk på BEKRÆFT.

I legionella-forhindringsfunktion øges temperaturen på det opbevarede vand til over 60°C for at forhindre vækst af legionella-bakterier. Det anbefales på det kraftigste, at dette gøres med regelmæssige mellemrum. Kontroller venligst de lokale bestemmelser angående den anbefalede frekvens af opvarmninger.

Bemærk: Når der opstår fejl på hydroboxen, fungerer LF-funktionen muligvis ikke normalt.

Menuundertekst	Funktion	Område	Enhed	Standardværdi
brugsvandstemperatur	Ønsket temperatur på opbevaret varmt brugsvand	60 - 70	°C	65
frekvens	Tid mellem opvarmninger af varmt brugsvandsbeholder vha. LF-funktion	1 - 30	dag	15
starttid	Tid når LF-funktion begynder	0:00 - 23:00	-	03:00
maks.køretid	Maks. tid tilladt for opvarmning af varmt brugsvandsbeholder i LF-funktion	1 - 5	time	3
varighed af maks.temperatur	Tidsrummet efter at LF-funktionens ønskede vandtemperatur er opnået	1 - 120	min	30

Vær opmærksom på at LF-funktionen anvender el-varmere (hvis de findes) til at supplere energiinput fra varmepumpen. Opvarmning af vand i længere tidsperioder er ikke effektivt og forøger driftsomkostninger. Installatøren bør nøje overveje behovet for legionella-forhindringsbehandling, samtidig med at der ikke spildes energi på opvarmning af opbevaret vand i længere tidsperioder. Slutbrugeren bør forstå vigtigheden af denne funktion.

OVERHOLD ALTID DE LOKALE OG NATIONALE RETNINGSLINJER I DIT LAND ANGÅENDE LEGIONELLA-FORHINDRING.

[Startindstillinger]

Installatøren kan indstille følgende fra menuen med startindstillinger.

- [Dato/tid] *Sørg for at indstille dette til lokal standardtid.
- [Sprog]
- [Sommertid]
- [Temperaturdisplay]
- [Kontaktnummer]
- [Tidsdisplay]
- [°C/°F]
- [Valgt føler indstillinger]

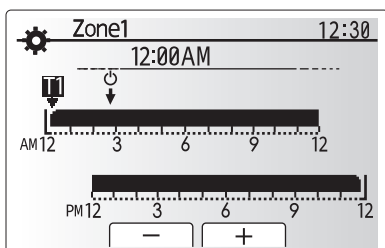
Benyt den fremgangsmåde, der beskrives under Generel drift, for opsætningen.

<Valgt føler indstillinger>

For valgt føler indstillingerne er det vigtigt at vælge den korrekte rumføler afhængigt af den varmfunktion, som systemet udfører.

Menuundertekst	Beskrivelse																				
Betjen zone valg	Når 2-zonetemperaturkontrol er aktiv, og der er trådløse fjernbetjening til rådighed, skal der fra skærmen Betjen zone valg vælges det zonennummer, som skal tildeles til hver enkelt fjernbetjening.																				
Rumfølervalg	Fra rumfølervalgskærmen skal der vælges en rumføler, som skal anvendes til overvågning af rumtemperaturen fra henholdsvis zone1 og zone2. <table border="1" data-bbox="965 1010 1495 1339"> <thead> <tr> <th rowspan="2">Kontrolmulighed (Webstedmanualen)</th> <th colspan="2">Modsvarende startindstillinger for rumføler</th> </tr> <tr> <th>Zone 1</th> <th>Zone 2</th> </tr> </thead> <tbody> <tr> <td>A</td> <td>Rumfjernbetjening 1-8 (webstedmanualen)</td> <td>*1</td> </tr> <tr> <td>B</td> <td>TH1</td> <td>*1</td> </tr> <tr> <td>C</td> <td>Hovedkontrolenhed</td> <td>*1</td> </tr> <tr> <td>D</td> <td>*1</td> <td>*1</td> </tr> <tr> <td>Når der benyttes forskellige rumfølere i henhold til tidsplanen</td> <td>Tid/ Zone*2</td> <td>*1</td> </tr> </tbody> </table>	Kontrolmulighed (Webstedmanualen)	Modsvarende startindstillinger for rumføler		Zone 1	Zone 2	A	Rumfjernbetjening 1-8 (webstedmanualen)	*1	B	TH1	*1	C	Hovedkontrolenhed	*1	D	*1	*1	Når der benyttes forskellige rumfølere i henhold til tidsplanen	Tid/ Zone*2	*1
Kontrolmulighed (Webstedmanualen)	Modsvarende startindstillinger for rumføler																				
	Zone 1	Zone 2																			
A	Rumfjernbetjening 1-8 (webstedmanualen)	*1																			
B	TH1	*1																			
C	Hovedkontrolenhed	*1																			
D	*1	*1																			
Når der benyttes forskellige rumfølere i henhold til tidsplanen	Tid/ Zone*2	*1																			

- *1. Ikke angivet (hvis der benyttes en lokalt leveret rumtermostat) Rumfjernbetjening 1-8 (én til hver af Zone1 og Zone2) (hvis der benyttes en trådløs fjernbetjening som rumtermostat)
- *2. På rumfølervalgskærmen skal der vælges Tid/Zone for at gøre det muligt at benytte forskellige rumfølere i henhold til den tidsplan, der er indstillet i menuen Vælg Tid/Zone. Rumfølerne kan skiftes op til 4 gange inden for 24 timer.



Skærm for planindstilling af tid/zone

[Service]menu

Service menuen indeholder funktioner til brug for installatøren eller serviceteknikeren. Den er IKKE beregnet til at husejere ændrer indstillinger inde i denne menu. Det er derfor, der behøves kodeordsbeskyttelse for at forhindre uautoriseret adgang til serviceindstillingerne.

Standardadgangskoden fra fabrikken er "0000".

Benyt den fremgangsmåde, der beskrives under Generel drift, for opsætningen.

Mange funktioner kan ikke indstilles, mens indendørsenheden kører. Installatøren bør slukke for enheden, inden disse funktioner forsøges indstillet. Hvis installatøren forsøger at ændre indstillingerne, mens enheden kører, vises der en påmindelsesmeddelelse på hovedkontrolenheden, der opfordrer installatøren til at standse driften, inden der fortsættes. Vælg "ja" for at standse driften af enheden.

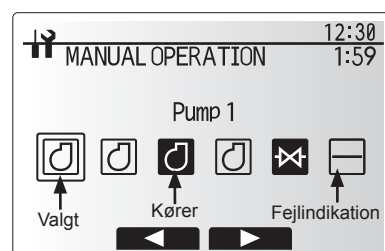
<[Manuel drift]>

Under påfyldning af systemet kan vandcirkulationspumpen og 3-vejsventilen tilsidesættes manuelt vha. manuel driftstilstand.

Når der er valgt manuel drift, vises der et lille timerikon på skærmen. Den valgte funktion forbliver kun i manuel drift i maksimalt 2 timer. Dette er for at forhindre utilsigtet permanent tilsidesættelse af FTC'en.

► Eksempel

Når du trykker på knappen F3, slås manuel driftstilstand til (ON) for den overordnede 3-vejsventil. Når påfyldningen af beholderen til varmt brugsvand er færdig, bør installatøren gå ind i denne menu igen og trykke på F3 for at deaktivere manuel drift for delen. Alternativt vil manuel driftstilstand ikke længere være aktiv efter 2 timer, og FTC vil genoptage styring af tankmodulet (unit).



Skærm for manuel drift-menu

5 Systemopsætning

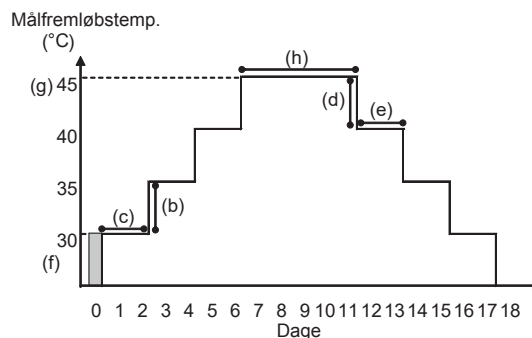
Manuel drift og varmekildeindstilling kan ikke vælges, hvis systemet kører. Der vises en skærm, som beder installatøren om at standse systemet, inden disse funktioner kan aktiveres.
Systemet stopper automatisk 2 timer efter sidste drift.

<[Gulvtørrer op-funktion]>

Gulvtørrer op-funktionen ændrer automatisk måltemperaturen for varmt brugsvand i trin for gradvist at tørre beton, når der er installeret denne særlige type gulvvarmesystem.

Når driften af systemet afsluttes, stopper alle funktioner undtagen frostbeskyttelsesdriften.

For gulvtørrer op-funktionen er målfremløbtemp. for zone1 den samme, som den er for zone2.



- Denne funktion er ikke til rådighed, når der er tilsluttet en PUAZ-FRP-uden-dørsenhed.
- Afbryd ledninger til rumtermostats eksterne indgange, kræver kontrol og udendørstermostat, ellers bevares målfremløbstemperaturen muligvis ikke.

Funktioner	Symbol	Beskrivelse	Mulighed/område	Enhed	Standard	
Gulvtørrer op-funktion	a	Slå funktionen TIL, og tænd for systemet med hovedkontrolenheden, og opvarmingsvarmedriften starter.	ON/OFF	—	OFF	
Fremløbstemperatur (forøgelse)	Fremløbtemp.forøgelse trin	b	Indstiller trinforøgelsen for målfremløbstemperaturen.	+1 - +10	°C	+5
	Forøgelsesinterval	c	Indstiller den periode, i hvilken den samme målfremløbstemperatur bevares.	1 - 7	dag	2
Fremløbstemperatur (reduktion)	Fremløb temp.reduktion trin	d	Indstiller trinreduktionen for målfremløbstemperaturen.	-1 - -10	°C	-5
	Reduktionsinterval	e	Indstiller den periode, i hvilken den samme målfremløbstemperatur bevares.	1 - 7	dag	2
Måltemperatur	Start & slut	f	Indstiller målfremløbstemperaturen ved starten og afslutningen af driften.	20 - 60	°C	30
	Maks.måltemp.	g	Indstiller den maksimale målfremløbstemperatur.	20 - 60	°C	45
	Maks.temp.periode	h	Indstiller den periode, i hvilken den maksimale målfremløbstemperatur bevares.	1 - 20	dag	5

<[Kodeordsbeskyttelse]>

Kodeordsbeskyttelse er til rådighed for at forhindre uautoriseret adgang til servicemenyen af utrænede personer.

Nulstilling af adgangskoden

Hvis du glemmer den adgangskode, du indtastede, eller skal udføre service på en enhed, som blev installeret af en anden person, kan du nulstille adgangskoden til fabriksstandard **0000**.

1. Fra hovedindstillingsmenuen skal du rulle ned i funktionerne, indtil Servicemenu er fremhævet.
2. Tryk på BEKRÆFT.
3. Du vil blive bedt om at indtaste en adgangskode.
4. Hold begge knapperne F3 og F4 nede i 3 sekunder.
5. Du vil blive spurgt, om du ønsker at fortsætte og nulstille adgangskoden til standardindstilling.
6. Tryk på knappen F3 for at nulstille.
7. Adgangskoden er nu nulstillet til **0000**.

<[Manuel nulstilling]>

Skulle du ønske at gendanne fabriksindstillingerne på et eller andet tidspunkt, skal du anvende manuel nulstilling-funktionen. Bemærk venligst, at dette nulstiller ALLE funktionerne til standardindstillingerne fra fabrikken.



Skærm til indtastning af adgangskode



Skærm til bekræftelse af adgangskode

6 Idriftsættelse

■ Opgaver før klargøring - drikkevands-/VB-kreds

Procedure for første påfyldning:

Sørg for, at alle forbindelsesrør sidder tæts og sikkert.

Åbn den fjerneste hane/udløb til varmt brugsvand.

Åbn langsomt/gradvist hovedvandforsyningen for at begynde at fylde enheden og rørsystemet til varmt brugsvand.

Lad den fjerneste hane løbe frit, og frigør/rens tilbageværende luft fra installationen.

Luk hanen/udløbet for at bevare det fuldt opladede system.

Bemærk: Hvis der er monteret et varmelegeme, må du IKKE sætte strøm til opvarmeren, før beholderen til varmt brugsvand er fyldt med vand. Du må heller IKKE sætte strøm til et eventuelt varmelegeme, hvis der er steriliseringskemikalierester i beholderen til varmt brugsvand, da dette vil medføre permanent beskadigelse af opvarmeren.

Procedure for første skylning:

Sæt strøm til systemet for at varme indholdet af cylinderenheden op til en temperatur på omkring 30 - 40°C.

Skyll/tøm vandindholdet ud for at fjerne alle rester/urenheder fra installationsarbejdet. Brug cylinderenhedens aftapningsventil til på sikker vis at udtømme det varme vand til et afløb gennem en passende slange.

Luk aftapningsventilen, når du er færdig, og fortsæt idriftsættelsen af systemet.

7 Service og vedligeholdelse

■ Fejlkoder

Kode	Fejl	Handling
L3	Overophedningsbeskyttelse for cirkulationsvandtemperatur	Fremløbshastighed er muligvis reduceret. Kontroller for; <ul style="list-style-type: none"> • Vandlækage • Blokering af filter • Cirkulationspumpens funktion (fejlkode kan vises under påfyldning af primær kreds, gennemfør påfyldning og nulstil fejlkode.)
L4	Overophedningsbeskyttelse for vandtemperaturen i varmt brugsvandsbeholder	Kontroller el-varmelegemet (el-patron) og dets kontaktor.
L5	Inde dels temperaturtermistorfejl (THW1, THW2, THW5A, THW5B, THW6, THW7, THW8, THW9)	Kontroller modstanden på termistoren.
L6	Frysebeskyttelse for cirkulationsvand	Se handling for L3.
L8	Varmedriftsfejl	Genmonter eventuelle termistorer, der er blevet løsnet.
L9	Lav fremløbshastighed i primær kreds registreret af flowsensoren eller fremløbsføleren (fremløbsfølere 1, 2, 3)	Se handling for L3. Hvis selve flowsensoren eller fremløbsføleren ikke fungerer, skal den udskiftes. Forsigtig: Pumpeventilerne er muligvis meget varme, så pas venligst på.
LA	Fejl i tryksensor	Kontroller tryksensorkablet for skader eller løse tilslutninger.
LB	Overtryksbeskyttelse	<ul style="list-style-type: none"> • Fremløbshastigheden i varmekredsen er muligvis reduceret. Kontroller vandkreds. • Pladevarmeveksler kan være tilstoppet. Kontroller pladevarmeveksleren. • Fejl på ude del. Se i servicemanualen for ude delen.
LC	Overophedningsbeskyttelse for kedelcirkulationsvandtemperatur	Kontroller om kedelens indstillingstemperatur for varme overskrider begrænsningen. (Se manualen til termistorerne "PAC-TH012HT-E") Fremløbshastighed for varmekredsen fra kedelen er muligvis reduceret. Kontroller for <ul style="list-style-type: none"> • vandlækage, • blokering af filter • cirkulationspumpens funktion.
LD	Fejl på kedelens temperaturtermistor (THWB1)	Kontroller modstanden på termistoren.
LE	Kedeldriftsfejl	Se handling for L8. Kontroller kedelens status.
LF	Fejl i flow sensor	Kontroller flowsensorkablet for skader eller løse tilslutninger.
LH	Frysebeskyttelse for kedelcirkulationsvand	Fremløbshastighed for varmekredsen fra kedelen er muligvis reduceret. Kontroller for <ul style="list-style-type: none"> • vandlækage • blokering af filter • cirkulationspumpens funktion.
LJ	VB-funktionsfejl (udvendig pladetype HEX)	<ul style="list-style-type: none"> • Kontroller, om beholderen til varmt brugsvand temperaturtermistor (THW5B) er frakoblet. • Fremløbshastigheden i sanitetskredsen er muligvis reduceret. • Kontroller cirkulationspumpens funktion. (primær / sanitær)
LL	Indstillingsfejl på Dip-kontakter på FTC-kontrolpanel	For kedeldrift skal du kontrollere at Dip SW1-1 er indstillet til TIL (med kedel), og Dip SW2-6 er indstillet til TIL (med buffertank). For 2-zonetemperaturkontrol skal du kontrollere at Dip SW2-7 er indstillet til TIL (2-zone), og Dip SW2-6 er indstillet til TIL (med buffertank).
LP	Utilstrækkelig vandmængde for fremløb i udendørs varmepumpeenheten	Kontroller installationen, tabel 4.3.1 Kontroller hovedstyringsenhedens indstillinger (Servicemenu/Varmepumpe fremløbshast.inter.) Se handling for L3.
P1	Termistorfejl (Rumtemperatur) (TH1)	Kontroller modstanden på termistoren.
P2	Termistorfejl (Kølemiddelvæsketemperatur) (TH2)	Kontroller modstanden på termistoren.
P6	Frostbeskyttelse af pladevarmeveksler	Se handling for L3. Kontroller for korrekt mængde kølemiddel.
J0	Kommunikationsfejl mellem FTC og trådløs modtager.	Kontroller tilslutningskablet for skader eller løse tilslutninger.
J1 - J8	Kommunikationsfejl mellem trådløs modtager og trådløs fjernbetjening	Kontroller, at den trådløse fjernbetjenings batteri ikke er fladt. Kontroller parringen mellem trådløs modtager og trådløs fjernbetjening. Test den trådløse kommunikation. (Se manualen til det trådløse system)
E0 - E5	Kommunikationsfejl mellem hovedstyringsenheden og FTC	Kontroller tilslutningskablet for skader eller løse tilslutninger.
E6 - EF	Kommunikationsfejl mellem FTC og ude del	Kontroller at ude delen ikke er blevet slukket. Kontroller tilslutningskablet for skader eller løse tilslutninger. Se i servicemanualen til ude delen.
E9	Ude delen modtager intet signal fra inde delen.	Kontroller at der er tændt for begge enheder. Kontroller tilslutningskablet for skader eller løse tilslutninger. Se i servicemanualen til ude delen.
EE	Kombinationsfejl mellem FTC og ude del	Kontroller kombination af FTC og ude del
U*, F*	Ude delfejl	Se i servicemanualen til ude delen.
A*	M-NET-kommunikationsfejl	Se i servicemanualen til ude delen.

Bemærk: For at annullere fejlkoder skal du slukke for systemet (Tryk på knap F4 (RESET) på hovedstyringsenheden).

7 Service og vedligeholdelse

■ Årlig vedligeholdelse

Det er vigtigt, at der udføres service på tankmodulet (unit) mindst én gang om året af en kvalificeret person. Alle nødvendige reservedele bør købes fra Mitsubishi Electric. OMGÅ aldrig sikkerhedsanordninger, og køр aldrig enheden, uden at den er fuldt funktionsdygtig. Der er flere oplysninger i servicehåndbogen.

Bemærk

- Inden for de første par måneder efter installation skal du fjerne og rense tankmodulets (unit) filter samt dem, der eventuelt er monteret udvendigt på tankmodulet (unit). Det er særlig vigtigt, når det installeres på et ældre/eksisterende rørsystem.
- Overtryksventilen og temperatur- og overtryksventilen (nr. 8, 20 og 21 på figur 3.1) bør kontrolleres årligt ved at håndtaget drejes manuelt, så midlet frigives, hvorved området til pakningen rengøres.

Udover det årlige serviceeftersyn er det nødvendigt at udskifte og efterse nogle dele, efter systemet har kørt et vist stykke tid. Se venligst tabellerne angående detaljerede instruktioner. Udskiftning og eftersyn af dele skal altid udføres af en kompetent person med den relevante træning og kvalifikationer.

Dele som behøver regelmæssig udskiftning

Dele	Udskift hver	Mulige fejl
Overtryksventil (OTV) Manometer Indløbskontrolgruppe (ICG)*	6 år	Vandlækage

* EKSTRAUDSTYRSDELE til Storbritannien

Dele som behøver regelmæssigt eftersyn

Dele	Kontroller hver	Mulige fejl
Overtryksventil (3 bar) Temperatur- og overtryksventil	1 år (ved at dreje håndtaget manuelt)	Overtryksventilen vil sætte sig fast, og ekspansionsbeholderen vil briste
El-varmelegeme (el-patron)	2 år	Jordlækage får HPFI afbryderen til at aktivere (Varmelegeme er altid FRA)
Cirkulationspumpe (Primær kredsløb)	20.000 timer (3 år)	Cirkulationspumpefejl

Dele som IKKE må genanvendes ved serviceeftersyn

- * O-ring
- * Pakning

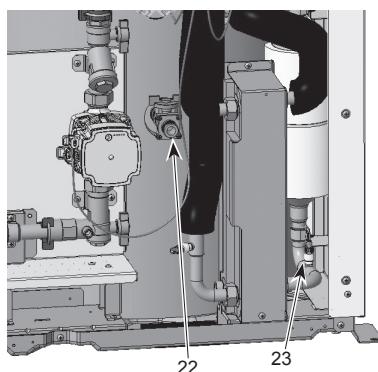
Bemærk

- Udskift altid pakningen til pumpen med en ny hver gang der foretages regelmæssigt eftersyn (hver 20.000 timers drift eller hvert 3. år).

<Udtømning af tankmodulet (unit) og dets sanitære varmekreds (lokal)>

ADVARSEL: ADVARSEL: UDTØMT VAND KAN VÆRE MEGET VARMT

1. Inden du forsøger at tømme tankmodulet (unit), skal strømforsyningen isoleres for at forhindre varmelegemer og tilskudsvarmelegemer i at udbrænde.
2. Isolér koldt vandstilslutningen til beholderen til varmt brugsvand.
3. Åbn en varmtvandshane, så aftapning kan ske, uden at der skabes et vakuum.
4. Sæt en slange på aftapningsventilen på beholderen til varmt brugsvand (nr. 22 på figur 7.1). Slangen skal kunne modstå varme, da det aftappede vand kan være meget varmt. Slangen skal tømmes til et sted, der ligger under bunden på beholderen til varmt brugsvand for at fremme hæverteffekten. Begynd aftapning ved at åbne en aftapningsventil.
5. Når beholderen til varmt brugsvand er tømt, skal du lukke aftapningsventilen og den varme hane.
6. For primært kredsløb, sæt slangen til aftapningsventilen på vandkredsen (nr. 6 på figur 3.1). Slangen skal kunne modstå varme, da det aftappede vand kan være meget varmt. Slangen skal tømmes til et sted, der ligger under aftapningsventilen, for at udnytte hæverteffekten. Åbn pumpeventilerne og filterventilerne.
7. Er stadig vand i filteret, efter at tankmodulet (unit) er blevet tømt.
Tøm filteret ved at fjerne filterdækslet.



<Figur 7.1>

7 Service og vedligeholdelse

Teknikerskemaer

Skulle indstillingerne blive ændret fra standard, skal du indtaste og registrere den nye indstilling i "Stedindstilling"-søjlen. Dette forenkler fornyet indstilling i fremtiden, hvis systemet skal ændres, eller printpladen skal udskiftes.

Registreringsark for idriftsættelse/stedindstillinger

Skærm på hovedkontrolenhed		Parametre	Standardindstilling	Stedindstilling	Bemærkninger		
Hoved		Zone1 rumtemperatur varme	10°C - 30°C	20°C			
		Zone2 rumtemperatur varme *12	10°C - 30°C	20°C			
		Zone1 fremløbs temperatur varme	20°C - 60°C	45°C			
		Zone2 fremløbs temperatur varme *1	20°C - 60°C	35°C			
		Zone1 fremløbs temperatur køl *13	5°C - 25°C	15°C			
		Zone2 fremløbs temperatur køl *13	5°C - 25°C	20°C			
		Zone1 varmekurve	-9°C - + 9°C	0°C			
		Zone2 varmekurve *1	-9°C - + 9°C	0°C			
		Feriefunktion		Aktiv/Ikke aktiv/Indstil tid	—		
		Valgmulighed		Tvungen varmt brugsvandsdrift	ON/OFF	—	
Varmt brugsvand	ON/OFF/timer			ON			
Varme/køl *13	ON/OFF/timer			ON			
Energiovervågning	Forbrugt elektrisk energi/produceret energi			—			
Indstilling	Varmt brugsvand	Driftstilstand	Normal/Øko *15	Normal			
		Varmt brugsvand maks. temperatur	40°C - 60°C *2	50°C			
Fald i varmt brugsvandstemperatur		5°C - 30°C	10°C				
Maks. køretid varmt brugsvand		30 - 120 min	60 min				
Brugsvand varme begrænsning		30 - 120 min	30 min				
Brugsvand genoplading		Stor/EL og VP	EL og VP				
Forebyggelse af legionella		Aktiv	Ja/Nej	Ja			
	Brugsvandstemperatur	60°C - 70°C *2	65°C				
	Frekvens	1 - 30 dage	15 dage				
	Starttid	00:00 - 23:00	03:00				
	Maks. køretid	1 - 5 timer	3 timer				
	Varighed af maks.temp.	1 - 120 minutter	30 min				
	Varme/køl *13	Zone1 driftstilstand	Rumtemperatur varme/ Fremløbs temperatur varme/ Varmekurve/fremløbs temperatur køl	Rumtemp.			
		Zone2 driftstilstand *1	Rumtemperatur varme/ Fremløbs temperatur varme/ Varmekurve/fremløbs temperatur køl	Varmekurve			
Varmekurve	Indstillingspunkt for høj fremløbs-temperatur	Zone1 udendørs omgivende temp.	-30°C - +33°C *3	-15°C			
		Zone1 fremløbstemperatur	20°C - 60°C	50°C			
		Zone2 udendørs omgivende temp. *1	-30°C - +33°C *3	-15°C			
		Zone2 fremløbstemperatur *1	20°C - 60°C	40°C			
	Indstillingspunkt for lav fremløbs-temperatur	Zone1 udendørs omgivende temp.	-28°C - +35°C *4	35°C			
		Zone1 fremløbstemperatur	20°C - 60°C	25°C			
		Zone2 udendørs omgivende temp. *1	-28°C - +35°C *4	35°C			
		Zone2 fremløbstemperatur *1	20°C - 60°C	25°C			
	Juster	Zone1 udendørs omgivende temp.	-29°C - +34°C *5	—			
		Zone1 fremløbstemperatur	20°C - 60°C	—			
	Zone2 udendørs omgivende temp. *1	-29°C - +34°C *5	—				
	Zone2 fremløbstemperatur *1	20°C - 60°C	—				
Ferie	Varmt brugsvand		Aktiv/ikke aktiv	Ikke aktiv			
	Varme/køl *13		Aktiv/ikke aktiv	Aktiv			
	Zone1 rumtemperatur varme		10°C - 30°C	15°C			
	Zone2 rumtemperatur varme *12		10°C - 30°C	15°C			
	Zone1 fremløbs temperatur varme		20°C - 60°C	35°C			
	Zone2 fremløbs temperatur varme *1		20°C - 60°C	25°C			
	Zone1 fremløbs temperatur køl *13		5°C - 25°C	25°C			
	Zone2 fremløbs temperatur køl *13		5°C - 25°C	25°C			
Startindstillinger	Sprog		EN/FR/DE/SV/ES/IT/DA/NL/FI/NO/PT/BG/PL/CZ/RU/TR/SL	EN			
	°C/°F		°C/°F	°C			
	Sommertid		ON/OFF	OFF			
	Temperaturdisplay		Rum/beholder til varmt brugsvand/ rum&beholder til varmt brugsvand/OFF	OFF			
	Tids display		tt.mm/tt.mm AM/AM tt.mm	tt.mm			
	Valgt føler indstillinger for zone1		TH1/styring/betjen1-8/ "tid/zone"	TH1			
	Valgt føler indstillinger for zone2 *1		TH1/styring/betjen1-8/ "tid/zone"	TH1			
	Betjen zone valg *1		Zone1/Zone2	Zone1			
Servicemenu	Føler kalibrering	THW1	-10°C - +10°C	0°C			
		THW2	-10°C - +10°C	0°C			
		THW5A	-10°C - +10°C	0°C			
		THW5B	-10°C - +10°C	0°C			
		THW6	-10°C - +10°C	0°C			
		THW7	-10°C - +10°C	0°C			
		THW8	-10°C - +10°C	0°C			
		THW9	-10°C - +10°C	0°C			
		THW10	-10°C - +10°C	0°C			
		THWB1	-10°C - +10°C	0°C			
	Aux.indstillinger	Økonomidrift for pumpe		ON/OFF *6	ON		
		Udsæt (3 - 60 min)			10 min		
		El-varme (Varme)		Rumopvarmning: ON (anvendes)/OFF (anvendes ikke)	ON		
		Forsinkelsestimer for el-varme (5 - 180 min)			30 min		
		El-varme (Varmt brugsvand)	Tilskudsvarme	VB: ON (anvendes)/OFF (anvendes ikke)	ON		
			Dyppekoger	VB: ON (anvendes)/OFF (anvendes ikke)	ON		
		Forsinkelsestimer for el-varme (15 - 30 min)			15 min		
		Blandeventilstyring	Kørsel (10 - 240 sek)		120 sek		
			Interval (1 - 30 min)		2 min		
		Flow sensor *17	Minimum (0 - 100 L/min)		5 L/min		
Maksimum (0 - 100 L/min)			100 L/min				
Analogt output	Interval (1 - 30 min)		5 min				
	Prioritet (normal/høj)		Normal				

(Fortsætter på næste side.)

7 Service og vedligeholdelse

Teknikerskemaer

Registreringsark for idriftsættelse/stedindstillinger (fortsat fra forrige side)

Skærm på hovedkontrolenhed			Parametre		Standard indstilling	Stedindstilling	Bemærkninger			
Indstilling	Servicemenu	Pumpehastighed	Varmt brugsvand		Pumpehastighed (1 - 5)	5				
			Varme/køl		Pumpehastighed (1 - 5)	5				
		Varmekildeindstilling				EL og VP/kun EL/kedel/hybrid *7	EL og VP			
		Varmepumpeindstilling	Varmepumpe flow-hast. inter.	Minimum (0 - 100 L/min)		5 L/min				
				Maksimum (0 - 100 L/min)		100 L/min				
			Stille tilstand		Dag (man-søn)		—			
					Tid		0.00 - 23.45			
				Stille niveau (normal/ niveau1/ niveau2)		Normal				
		Driftsindstillinger	Opvarmning *8	Fremløbtemp. område *10	Min.temp. (20 - 45°C)		30°C			
					Maks.temp. (35 - 60°C)		50°C			
				Temp. kontrolinterval *14	Funk (normal/kraftig)		Normal			
					Interval (10 - 60 min)		10 min			
					V/P termo forskelsjustering	ON/OFF *6		ON		
						Nedre grænse (-9 - -1°C)		-5°C		
					Øvre grænse (+3 - +5°C)		5°C			
			Frostbeskyttelses funktion *11		Udendørs omgivende temp. (3 - 20°C) / **		5°C			
			Samtidig drift (varmt brugsvand/varme)		ON/OFF *6		OFF			
					Udendørs omgivende temp. (-30 - +10°C) *3		-15°C			
			Funktion til koldt vejr		ON/OFF *6		OFF			
				Udendørs omgivende temp. (-30 - -10°C) *3		-15°C				
		Kedeldrift	Hybridindstillinger		Udendørs omgivende temp. (-30 - +10°C) *3		-15°C			
					Prioritetsfunk (udetemp/cost/ CO ₂) *16		Udetemp			
					Stigning i udendørs omgivende temp. (+1 - +5°C)		+3°C			
			Intelligente indstillinger		Energi- pris *9	Elektricitet (0,001 - 999 */kWh)		0,5 */kWh		
						Kedel (0,001 - 999 */kWh)		0,5 */kWh		
					CO ₂ -udledning	Elektricitet (0,001 - 999 kg -CO ₂ /kWh)		0,5 kg -CO ₂ / kWh		
						Kedel (0,001 - 999 kg -CO ₂ /kWh)		0,5 kg -CO ₂ / kWh		
			Varmekilde		Varmepumpekapacitet (1 - 40 kW)		11,2 kW			
					Kedeleffektivitet (25 - 150%)		80%			
					Tilskudsvarme nr.1 kapacitet (0 - 30 kW)		2 kW			
				Tilskudsvarme nr.2 kapacitet (0 - 30 kW)		4 kW				
		Smart net klart	Varmt brugsvand	ON/OFF		OFF				
				Måltemperatur(+1 - +20°C) / -- (ikke aktiv)		--				
			Varme	ON/OFF		OFF				
				Måltemperatur	Anbefalet idriftsætning (20 - 60°C)		50°C			
					Idriftsætningskommando (20 - 60°C)		55°C			
			Køl	ON/OFF		OFF				
				Måltemperatur	Anbefalet idriftsætning (5 - 25°C)		15°C			
					Idriftsætningskommando (5 - 25°C)		10°C			
			Pumpecyklusser	Varme (ON/OFF)		ON				
				Kølefunktion (ON/OFF)		ON				
		Interval (10 - 120 min)		10 min						
		Gulvtørrer op-funktion	ON/OFF *6		OFF					
			Måltemperatur	Start & slut (20 - 60°C)		30°C				
				Maks. temp. (20 - 60°C)		45°C				
				Maks. temp.periode (1 - 20 dage)		5 dage				
			Fremløbstemperatur (Forøgelse)	Temp.forøgelse trin (+1 - +10°C)		+5°C				
Forøgelsesinterval (1 - 7 dage)				2 dage						
Fremløbstemperatur (Reduktion)	Temp.reduktion trin (-1 - -10°C)		-5°C							
	Reduktionsinterval (1 - 7 dage)		2 dage							
Sommertilstand	ON/OFF		OFF							
	Udendørs omgivende temp.	Varme ON (4 - 19°C)		10°C						
		Varme OFF (5 - 20°C)		15°C						
	Bedømmelsestid	Varme ON (1 - 48 timer)		6 timer						
		Varme OFF (1 - 48 timer)		6 timer						
	Tvungen varme TIL (-30 - 10°C)		5°C							
Vand flow kontrol	ON/OFF		OFF							

(Fortsætter på næste side.)

7 Service og vedligeholdelse

■ Teknikerskemaer

Registreringsark for idriftsættelse/stedindstillinger (fortsat fra forrige side)

Skærm på hovedkontrolenhed				Parametre	Standard indstilling	Sted-indstilling	Bemærkninger
Servicemenu	Indst.f. energiovervågning	El-varme kapacitet	Tilskudsvarme nr.1 kapacitet	0 - 30 kW	2 kW		
			Tilskudsvarme nr.2 kapacitet	0 - 30 kW	4 kW		
			Dyppekoger	0 - 30 kW	0 kW		
			Analogt output	0 - 30 kW	0 kW		
			Produceret energikalibrering	-50 - +50%	0%		
		Vandpumpeinput	Pumpe 1	0 - 200 W eller *** (fabriksmonteret pumpe)	***		
			Pumpe 2	0 - 200 W	0 W		
			Pumpe 3	0 - 200 W	0 W		
			Pumpe 4	0 - 200 W	72 W		
		Elektrisk energimåler	Varmemåler	0,1/1/10/100/1000 impulser/kWh	1 impuls/kWh		
			Varmemåler	0,1/1/10/100/1000 impulser/kWh	1 impuls/kWh		
		Ekstern inputindstillinger	Kræv kontrol (IN4)	Varmekilde OFF/kedeldrift	Kedel drift		
			Udendørstermostat (IN5)	Varmedrift/kedeldrift	Kedel drift		
			Termo TIL output	Zone1/Zone2/Zone1&2	Zone1&2		

*1 Indstillingerne relateret til zone2 kan kun ændres, når 2 zone-temperaturkontrol er aktiveret (når DIP SW2-6 og SW 2-7 er ON).

*2 Modellen uden både tilskudsvarme og dyppekoger kan muligvis ikke nå den indstillede temperatur, afhængigt af udetemp.

*3 Den nedre grænse er -15°C, afhængigt af den tilsluttede ude del.

*4 Den nedre grænse er -13°C, afhængigt af den tilsluttede ude del.

*5 Den nedre grænse er -14°C, afhængigt af den tilsluttede ude del.

*6 ON: Funktionen er aktiv, OFF: Funktionen er inaktiv.

*7 Når DIP SW1-1 er indstillet til OFF "UDEN kedel", eller SW2-6 er indstillet til OFF "UDEN bufferbeholder", kan der hverken vælges kedel eller hybrid.

*8 Kun gyldig i rumtemperaturkontrollfunk.

9 "" i "*/kWh" repræsenterer valutaenhed (f.eks. € eller £ eller lignende)

*10 Kun gyldig ved drift i Rumtemperatur varme.

*11 Hvis der vælges asterisk (**), deaktiveres frostbeskyttelses funktionen. (dvs. fryserisiko for primær vand)

*12 Indstillingerne for Zone2 kan kun ændres, når 2-zone-temperaturkontrol eller 2-zone-ventil ON/OFF-kontrolenhed er aktiv.

*13 Indstillingerne for Kølefunktion er kun tilgængelige for modellen ER.

*14 Når DIP SW5-2 står på OFF, er funktionen aktiv.

*15 Når tankmodulet (unit) er sluttet til en PUMY-P udendørsenhed, er funktionen indstillet fast til "Normal".

*16 Når tankmodulet (unit) er sluttet til en PUMY-P udendørsenhed, er funktionen indstillet fast til "Udetemp".

*17 Undgå at ændre indstillingen, da den er indstillet i overensstemmelse med den flow sensor, der er monteret på tankmodulet (unit).

1. Säkerhetsföreskrifter	2
2. Introduktion.....	3
3. Teknisk information.....	4
4. Installation.....	10
4.1 Placering.....	10
4.2 Vattenkvalitet och systemförberedelser	11
4.3 Vattenledningar	11
4.4 Elektrisk anslutning.....	14
5. Systeminställning.....	16
5.1 Dip-växlarfunktioner	16
5.2 Ansluta ingångar/utgångar	17
5.3 Kabeldragning för 2-zonstemperaturkontroll.....	18
5.4 Enbart inomhusenhetsdrift (under installationsarbete).....	19
5.5 Redo för smarta elnät	19
5.6 Använda SD-minneskort	19
5.7 Huvudkontroll.....	20
6. Igångkörning.....	26
7. Service och underhåll	27

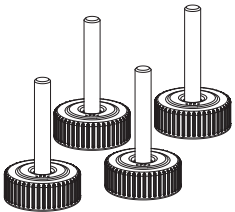
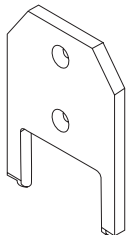
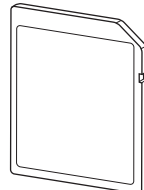
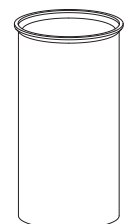


<http://www.mitsubishielectric.com/ldg/ibim/>

Om du vill ha ytterligare information som inte finns i denna manual ska du gå till ovanstående webbplats för att hämta manualer. Välj modellnamn och sedan språk.

Innehåll i webbplatsmanualer

- Energiövervakning
- Komponentdelar (detalj)
- Vattenkretsdiagram (170 L)
- Rumstermostat
- Fylla systemet
- Enkelt 2-zonsystem
- Oberoende elektrisk strömkälla
- Redo för smarta elnät
- Fjärrkontrollalternativ
- Servicemeny (särskilda inställningar)
- Tilläggsinformation

Tillbehör (medföljer)			
Justerbara fötter	Doppvärmarens centrumdelsverktyg EHPT20X-MHEDW-modell endast	SD-minneskort	Kopparinsats för varmvattentrör
			
4	1	1	2

Förkortningar och ordlista

Nr.	Förkortningar/Ord	Beskrivning
1	Läget värmekurva	Rumsuppvärmning med utomhustemperaturkompensation
2	COP	Värmepumpens verkningsgrad (coefficient of performance)
3	Cylindertank	Oventilerad varmvattentank för inomhusbruk och rörsystemkomponenter
4	Varmvattenläge	Varmvattenuppvärmningsläge för duschar, vaskar osv.
5	Framledningstemperatur	Temperaturen som vattnet har när det levereras till primärkretsen
6	Frys skyddsfunktion	Uppvärmningskontrollrutin för att förhindra att vattenledningar fryser
7	FTC	Framledningstemperaturkontroll, kretskortet som kontrollerar systemet
8	Värmeläge	Rumsuppvärmning genom element eller golvvärme
9	Legionella	Bakterier som kan hittas i rörsystem, duschar och vattentankar och som kan orsaka legionärssjuka
10	LS-läge	Legionellskyddsläge – en funktion i system som innehåller vattentankar, som är till för att förhindra tillväxten av legionellabakterier
11	Enhetssystem	Plattvärmväxlare (Köldmedium - Vatten) i utomhusvärmepumpen
12	TSV	Trycksäkerhetsventil
13	Returtemperatur	Temperaturen som vattnet har när det levereras från primärkretsen
14	Splitsystem	Plattvärmväxlare (Köldmedium - Vatten) i inomhusenheten
15	TV	Termostatventil – en ventil vid in- eller utgången på elementets panel som styr värmeproduktionen
16	Kylläge	Rumsvykylning genom fläktspole eller golvvykylning

1 Säkerhetsföreskrifter

Läs noggrant igenom följande säkerhetsåtgärder.





⚠ VARNING:
Säkerhetsåtgärder som måste vidtas för att förhindra skada eller dödsfall.

⚠ FÖRSIKTIGHET:
Försiktighetsåtgärder som måste vidtas för att förhindra skada på enheten.

Den här installationsmanualen ska lämnas med produkten tillsammans med användarmanualen efter installation för framtida behov. Mitsubishi Electric ansvarar inte för fel på lokalt tillhandahållna och inhandlade reservdelar.

- Se till att utföra underhåll med jämna mellanrum.
- Se till att följa lokala bestämmelser.
- Se till att följa instruktionerna som ges i denna manual.

FÖRKLARING AV SYMBOLER SOM FÖREKOMMER PÅ ENHETEN

	VARNING (Brandrisk)	Denna märkning gäller bara för kylmediet R32. Kylmedelstypen är skriven på utomhusenhetens namnplåt. Ifall kylmedelstypen är R32 används ett lättantändligt kylmedel i denna enhet. Om kylmedlet läcker ut och kommer i kontakt med eld eller uppvärmningskomponenterna kommer det att bildas en farlig gas och brandrisk föreligger.
	Läs DRIFTSMANUALEN noggrant före användning.	
	Servicepersonal måste läsa DRIFTSMANUALEN och INSTALLATIONSHANDBOKEN noggrant före användning.	
	Ytterligare information finns i DRIFTHANDBOKEN, INSTALLATIONSHANDBOKEN och liknande dokumentation.	

⚠ ⚠ VARNING

Mekaniskt

- Cylindertanken och utomhusenheten får inte installeras, demonteras, omplaceras, modifieras eller repareras av användaren. Fråga en auktoriserad installatör eller tekniker. Om enheten installeras på felaktigt sätt eller modifieras efter installation kan detta ge upphov till vattenläckage, elstötar eller brand.
- Utomhusenheten måste monteras så att den sitter ordentligt fast mot en hård och plan yta som klarar dess vikt.
- Cylinderranken ska placeras på en hård och plan yta som kan klara dess vikt när den är full för att förhindra höga ljud och starka vibrationer.
- Placera inte möbler eller elektriska apparater nedanför utomhusenheten eller cylindertanken.
- Avtappningsledningarna från cylindertankens nödanordningar måste installeras enligt gällande lagstiftning.
- Använd endast tillbehör och reservdelar som godkännts av Mitsubishi Electric och be en utbildad tekniker att montera delarna.

Elektriskt

- Allt elektriskt arbete ska utföras av en utbildad tekniker enligt lokala bestämmelser och instruktionerna i den här manualen.
- Enheternas strömförsörjning måste ske från en strömkälla endast avsedd för enheten och rätt spänning och överspänningsskydd måste användas.
- Ledningsdragning ska utföras enligt nationella bestämmelser. Anslutningar måste göras på ett säkert sätt och utan att kontakterna utsätts för något tryck.
- Jorda enheten korrekt.

Allmänt

- Håll barn och djur borta från både cylindertanken och utomhusenheten.
- Använd inte varmvatten som genererats av värmepumpen som dricksvatten eller till matlagning. Detta kan göra att användaren blir sjuk.
- Stå inte på enheterna.
- Rör inte strömbrytare med våta händer.
- Underhållskontroller av både cylindertanken och utomhusenheten måste årligen utföras av en kvalificerad person.
- Placera inte vätskefyllda behållare på cylindertanken. Om de läcker vätska på cylindertanken kan detta skada enheten och/eller orsaka brand.
- Placera inga tunga föremål på cylindertanken.
- Vid installation, flytt eller service av cylindertanken ska endast värmepumpens specificerade köldmedium användas för att fylla köldmedieledningarna. Blanda inte med annat köldmedium och låt inte luft finnas kvar i ledningarna. Om luft blandas med köldmediet kan det orsaka onormalt högt tryck i köldmedieledningen, vilket kan resultera i en explosion och andra faror.
- Användning av något annat köldmedium än det specificerade för systemet kommer att orsaka mekaniska fel eller tekniska systemfel eller att enheten helt slutar fungera. I värsta fall kan detta leda till allvarliga brister när det gäller produktens säkerhet.
- I värmeläget ska du, för att undvika att värmeavgivarna skadas av väldigt varmt vatten, ställa in målframledningstemperaturen till minst 2°C under den maximala tillåtna temperaturen för alla värmeavgivare. För Zon2, ställ in målframledningstemperaturen till minst 5°C under den maximala tillåtna framledningstemperaturen för alla värmeavgivare i Zon2-kretsen.
- Installera inte enheten på platser där brännbara gaser kan läcka, produceras, flöda eller ackumuleras. Om brännbara gaser ackumuleras runt enheten kan det leda till brand eller explosion.
- Använd bara de medel som rekommenderas av tillverkaren för att påskynda avfrostningsprocessen eller för att rengöra enheten.
- Produkten ska förvaras i ett rum där inga kontinuerliga antändningskällor förekommer (t.ex. öppna lågor, en gasdriven apparat som används eller en elektrisk värmare som används).
- Produkten får inte punkteras eller förbrännas.
- Observera att köldmedium kanske inte har någon lukt.
- Rörledningarna ska skyddas från fysisk skada.
- Så få rörledningarna som möjligt ska installeras.
- Efterlevnad av nationella gasbestämmelser ska iakttas.
- Håll alla ventilationsöppningar fria från hinder och blockeringar.
- Använd inte lödningslegeringar för lågtemperatur vid lödning av köldmedieledningarna.

SV

1 Säkerhetsföreskrifter

⚠ FÖRSIKTIGHET

Använd rent vatten som uppfyller lokala kvalitetsstandarder till primärkretsen.

Utomhusenheten ska installeras på en plats där luftcirkulationen är tillräcklig enligt diagrammen i utomhusenhetens installationsmanual.

Cylindertanken ska placeras inomhus för att minimera värmeförlusten.

Vattenledningen i primärkretsen mellan utomhus- och inomhusenheten ska vara så kort som möjligt för att minska värmeförlusten.

Se till så att kondens från utomhusenheten leds iväg från underredet för att undvika vattenpölar.

Avlägsna så mycket luft som möjligt från primär- och varmvattenkretsarna.

Köldmedieläckage kan orsaka kvävning. Förse med ventilation i enlighet med EN378-1.

Se till att linda isolering runt rörledningarna. Direktkontakt med oskyddade rörledningar kan ge upphov till bränn- eller köldskador.

Stoppa aldrig någonsin batterier i munnen eftersom det finns risk att svälja dem oavsiktligt.

Batterier som svalts kan orsaka kvävning och/eller förgiftning.

Transportera inte cylindertanken med vatten inuti varmvattentanken eller spolen. Detta kan ge upphov till skador på enheten.

Om strömmen till cylindertanken ska vara avstängd (eller systemet ska vara avstängt) under en längre tid ska vattnet tappas ur.

Om det inte skett någon användning under en längre tid ska, innan användning återupptas, varmvattentanken spolas igenom med dricksvatten.

Förebyggande åtgärder bör vidtas mot tryckslag, som installation av en tryckslagsdämpare i den primära vattenkretsen, enligt tillverkarens anvisningar.

När det gäller hantering av köldmedium, se utomhusenhetens installationsmanual.

2 Introduktion

Syftet med den här installationsmanualen är att instruera behöriga personer hur man säkert och effektivt installerar och sätter igång cylindertanksystemet. Målgruppen för manualen är behöriga rörmokare och/eller kylingenjörer som har

genomgått och klarat nödvändig Mitsubishi Electric-produktutbildning och har den erforderliga behörighet för installation av oventilerade varmvattencylindertankar som är specifika för sina länder.

3 Teknisk information

Produktspecifikation

Modellnamn	EHST20C-MED	EHST20C-VM2D	EHST20C-VM6D	EHST20C-VM9D	EHST20C-TM9D	EHST20C-TM9D	EHST20C-VM6D	EHST30C-MED	EHST30C-VM6D	EHST30C-VM9D	EHST30C-TM9D	ERST30C-VM2ED	EHPT17X-VM6D	EHPT17X-VM2D	EHPT17X-VM9D	ERPT17X-VM2D		
Nominell varmvattenvolym	200 L																	
Totala enhetsmått (höjd × bredd × djup)	1 600 × 595 × 680 mm																	
Vikt (tom)	106 kg	113 kg	114 kg	115 kg	109 kg	115 kg	113 kg	118 kg	120 kg	121 kg	121 kg	120 kg	85 kg	86 kg	87 kg	86 kg		
Vikt (full)	314 kg	320 kg	321 kg	324 kg	319 kg	324 kg	320 kg	426 kg	422 kg	431 kg	431 kg	428 kg	261 kg	262 kg	265 kg	261 kg		
Vattenvolym i enhetens värmekrets *1	4,6 L		6,9 L		6,9 L		4,6 L		5,0 L		7,3 L		3,2 L		5,5 L		3,2 L	
Nominell volym	12 L																	
Slutet expansionskärl (Primärvarme)	0,1 MPa																	
Kontrollgivare	1 – 80°C																	
Trycksäkerhetsventil	0,3 MPa (3 bar)																	
Flödesensor	Min. flöde 5,0 L/min (Se tabell 4.3.1 avseende vattenflödesintervall)																	
BH-termosstat med manuell reset	90°C																	
BH värmefrånkoppling	121°C																	
Kontrollgivare	75°C																	
IH-termosstat med manuell reset	—																	
Temperatur-/Trycksäkerhetsventil	1,0 MPa (10 bar)																	
Vatten	Primärkrets																	
Varmvattenkrets	Varmvattenkrets																	
Köldmedium (R32/R410A)	Vätska																	
Värme	Gas																	
Framledningstemperatur	Rumstemperatur																	
Rumstemperatur	Framledningstemperatur																	
Framledningstemperatur	Rumstemperatur																	
Ute T	5 – 25°C																	
Garanterat driftområde *2	0 – 35°C (≤ 80 % relativ luftfuktighet)																	
Utomhustemperatur	Se utomhusenhetsens specifikationstabell.																	
Maximal tillåten varmvattentemperatur	*4																	
Deklarerad belastningsprofil	70°C																	
Genomsnitt klimat	L																	
Varmvattentank prestanda	A+																	
Kontrollkort (Inkluderar 4 pumpar)	~N, 230 V, 50 Hz																	
Ström	0,30 kW																	
Strömbrytare	1,95 A																	
Strömförböjning (fas, spänning, frekvens)	~N, 230 V, 50 Hz																	
Kapacitet	10 A																	
Strömbrytare	~N, 230 V, 50 Hz																	
Strömförböjning (fas, spänning, frekvens)	3~, 400 V, 50 Hz																	
Kapacitet	3~, 230 V, 50 Hz																	
Strömbrytare	~N, 230 V, 50 Hz																	
Doppvärmare	3~, 400 V, 50 Hz																	
Kapacitet	3~, 230 V, 50 Hz																	
Ström	~N, 230 V, 50 Hz																	
Strömbrytare	3~, 400 V, 50 Hz																	
Ljudeffektivä (PWL)	40 dB(A)																	

<Tabell 3.2>

*1 Volymen i sanitärvarmvattenkretsen, primärvarmvattenkretsen (från 3-vägsventil till sammanflytande punkt med värmekrets), rörledning till expansionskärl och expansionskärl ingår inte i detta värde.

*2 Omgivningen måste vara frostfri.

*3 Se specifikationstabell för utomhusenhet (min. 10°C). Kyläge är inte tillgängligt vid låga utomhus temperaturer. Om du använder systemet i kyläge vid låga omgivningstemperaturer (10°C eller lägre) finns det risk att plattvärmeväxlaren utsätts för frysskador.

*4 För modeller utan tillskottsvarmare och doppvärmare är den maximala tillåtna varmvattentemperaturen (maximalt utloppsvatten för utomhusenhet, -3°C). För det maximala utloppsvattnet för utomhusenhet, se utomhusenhetsens databok.

*5 Koppla inte in doppvärmaren utan värmeifrånkoppling. Använd endast delar från Mitsubishi Electric för direkt utbyte.

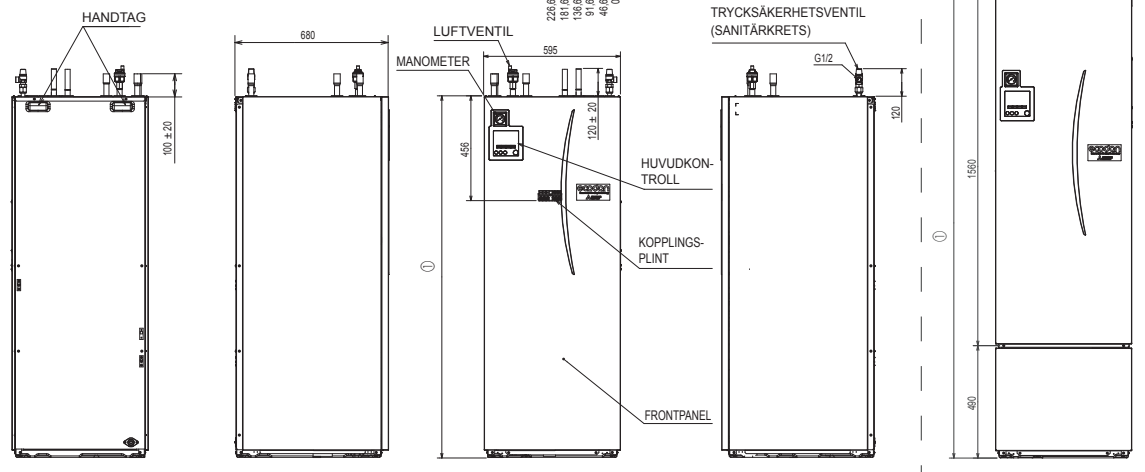
3 Teknisk information

■ Tekniska ritningar

<Enhet: mm>

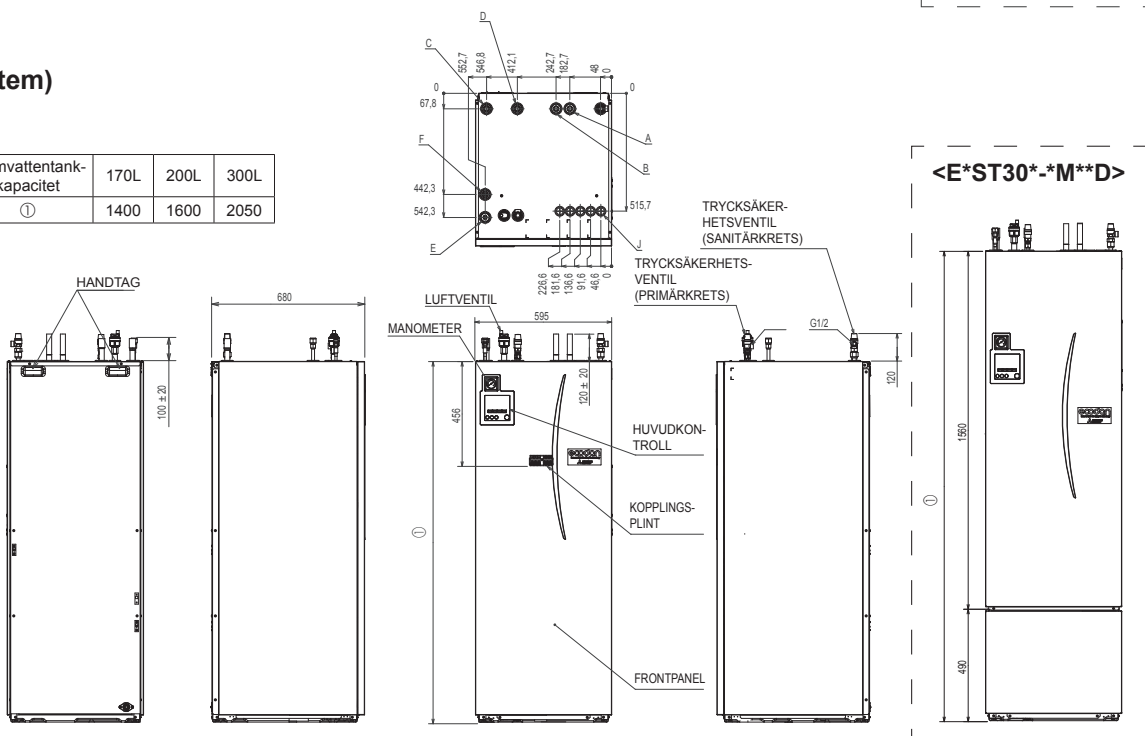
<E**T***-M**D>
(Enhetssystem)

Varmvattentank-kapacitet	170L	200L	300L
①	1400	1600	2050



(Splitsystem)

Varmvattentank-kapacitet	170L	200L	300L
①	1400	1600	2050



Bokstav	Rörledningsbeskrivning	Anslutningsstorlek/-typ
A	Varmvattenutloppsanslutning	22 mm/kompressionskoppling
B	Kallvatteninloppsanslutning	22 mm/kompressionskoppling
C	Returanslutning för rumsuppvärmning/-kylning	28 mm/kompressionskoppling
D	Framledningsanslutning för rumsuppvärmning/-kylning	28 mm/kompressionskoppling
E	Framledningskoppling FRÅN värmepump (ingen plattvärmväxlare)	28 mm/kompressionskoppling
F	Returkoppling TILL värmepump (ingen plattvärmväxlare)	28 mm/kompressionskoppling
G	Köldmedium (GAS) (Med plattvärmväxlare)	12,7 mm/fläns (E*ST**D-*) 15,88 mm/fläns (E*ST**C-*)
H	Köldmedium (VÄTSKA) (Med plattvärmväxlare)	6,35 mm/fläns (E*ST**D-*) 9,52 mm/fläns (E*ST**C-*)
J	Elkabelingångar ① ② ③ ④ ⑤ ○ ○ ○ ○ ○	För ingångarna ①, ② och ③ ska du använda lågspänningsledningar som inkluderar externa ingångsledningar och termistorledningar. För ingångarna ④ och ⑤ ska du använda högspänningsledningar vilket inkluderar strömkabel, inomhus-utomhuskabel, och externa utgångsledningar. *För en kabel för trådlös mottagning (tillval) och kabel för ecodan Wi-Fi-gränssnitt (tillval), använd ingång ①.

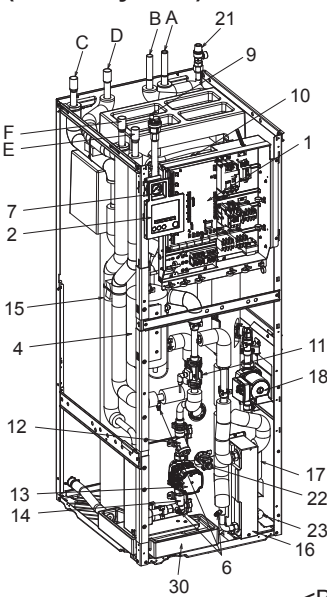
<Tabell 3.4>

3 Teknisk information

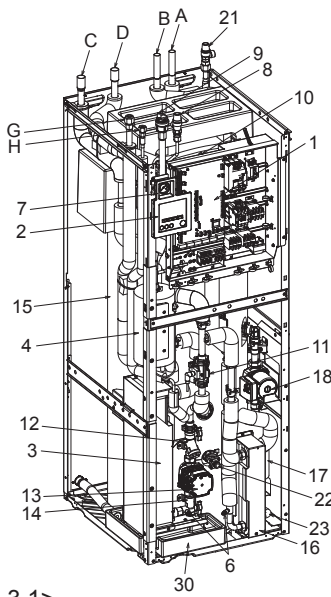
■ Komponentdelar

<E**T***-M**D>

(Enhetssystem)



(Splitsystem)

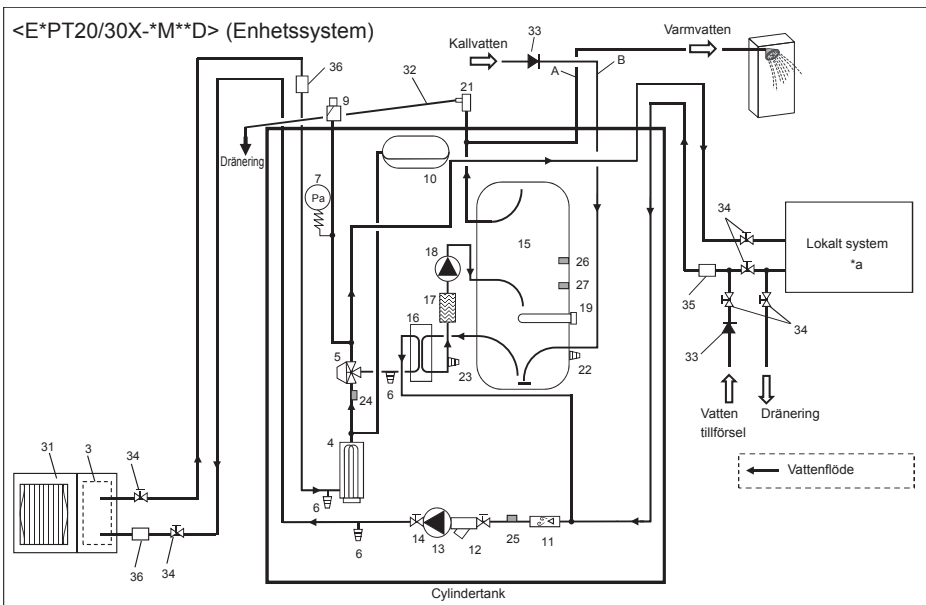


<Bild 3.1>

Obs!
Vid installation av alla E**T***-M**ED*-modeller ska du se till att installera ett primärdeexpansionskärl av lämplig storlek och en extra trycksäkerhetsventil för att förhindra att expansionskärlet brister på plats. (Se bild 3.2 ~ 3.3 och 4.3.2 för vidare riktlinjer)

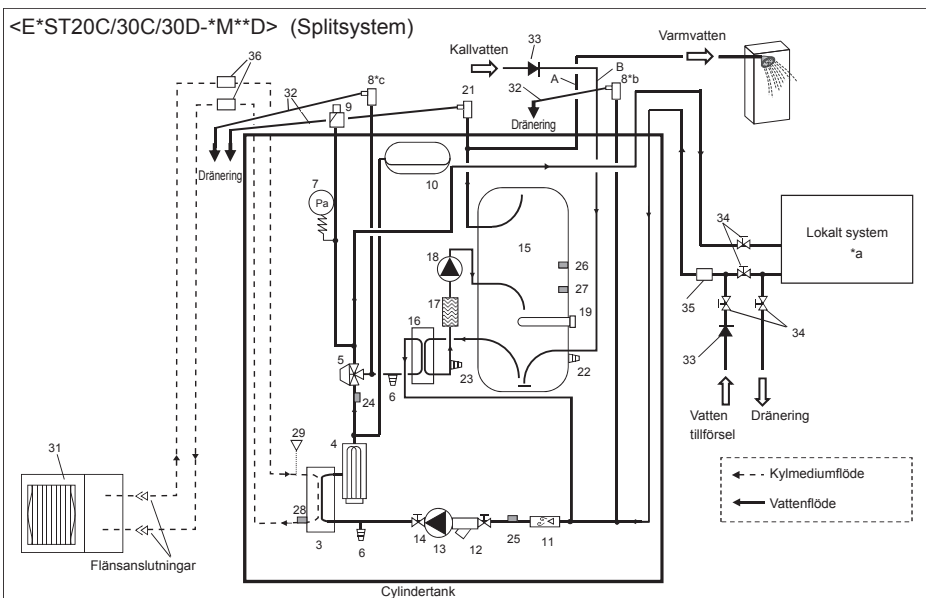
■ Vattenkretsdiagram

<E*PT20/30X-M**D> (Enhetssystem)



<Bild 3.2>

<E*ST20C/30C/30D-M**D> (Splitsystem)



<Bild 3.3>

Nr.	Delnamn
A	Varmvattenutloppsledning
B	Kallvatteninloppsledning
C	Köldmedieledning (returanslutning för rumsuppvärmning/-kyllning)
D	Köldmedieledning (framledningsanslutning för rumsuppvärmning/-kyllning)
E	Köldmedieledning (framledning från värmepumpanslutning)
F	Köldmedieledning (retur till värmepumpanslutning)
G	Köldmedieledning (gas)
H	Köldmedieledning (vätska)
1	Styr- och elläda
2	Huvudkontroll
3	Plattvärmväxlare (köldmedium - vatten)
4	Tillskottsvärmare 1,2
5	3-vägsventil
6	Manuell avluftare
7	Manometer
8	Trycksäkerhetsventil (3bar)
9	Automatisk avluftare
10	Expansionskärl (primärkrets)
11	Flödessensor
12	Filterventil
13	Vattencirkulationspump 1 (primärkrets)
14	Pumpventil
15	Varmvattentank
16	Plattvärmväxlare (vatten - vatten)
17	Avlagringsuppfångare
18	Vattencirkulationspump (sanitärkrets)
19	Doppvärmare *1
20	Temperatur- och trycksäkerhetsventil *1
21	Trycksäkerhetsventil (10bar) (varmvattentank)
22	Dräneringskran (varmvattentank)
23	Dräneringskran (sanitärkrets)
24	Temperaturtermistor för framledningsvatten (THW1)
25	Temperaturtermistor för returvatten (THW2)
26	Varmvattentankens givare för övre temperatur (THW5A)
27	Varmvattentankens givare för nedre temperatur (THW5B)
28	Temperaturtermistor för köldmedium (TH2)
29	Trycksensor
30	Dräneringsskål
31	Utomhusenhet
32	Dräneringsrör (lokal anskaffning)
33	Anordning som förhindrar bakåtlöpe (lokal anskaffning)
34	Isoleringsventil (lokal anskaffning)
35	Magnetiskt filter (lokal anskaffning) (rekommenderas)
36	Filter (lokal anskaffning)
37	Extra trycksäkerhetsventil (lokal anskaffning)
38	Inloppskontrollgrupp *1
39	Fyllnings slang (kulventiler, backventiler och böjbar slang) *1
40	Expansionskärl för dricksvatten *1

*1 Medföljer med modell för Storbritannien ENDAST. Var god se installationsmanualen för PAC-WK02UK-E för mer information om tillbehör.

<Tabell 3.5>

Gå till Mitsubishis webbplats om du vill kontrollera vattenkretsen på andra enheter eller komponenterna för de olika enheterna.

*a Se följande avsnitt [Lokalt system].

*b Endast E**T20

*c Endast E**T30

Observera

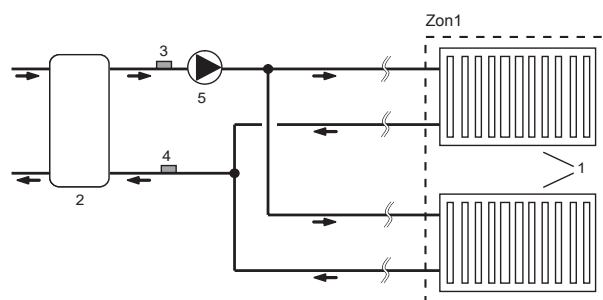
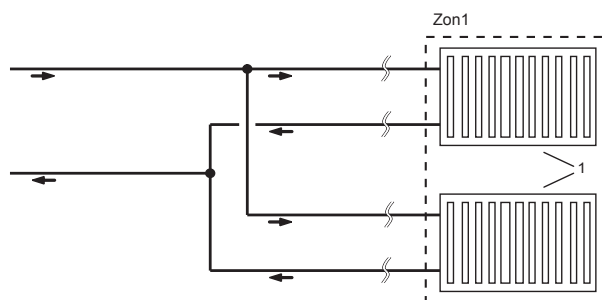
- För att möjliggöra dränering av cylindertanken skall en isoleringsventil sättas på både inlopps- och utloppsledningssystemet.
- Se till att installera ett filter på inloppsledningarna till cylindertanken.
- Lämpliga dräneringsledningar ska monteras på alla säkerhetsventiler i enlighet med ditt lands bestämmelser.
- En anordning som förhindrar backflöde måste installeras på ledningarna som tillför kallvatten (IEC 61770).
- När komponenter av olika metaller används eller rörledningar av olika metaller kopplas samman ska fogarna isoleras för att förhindra en korrosionsreaktion som kan skada rörledningarna.)

SV

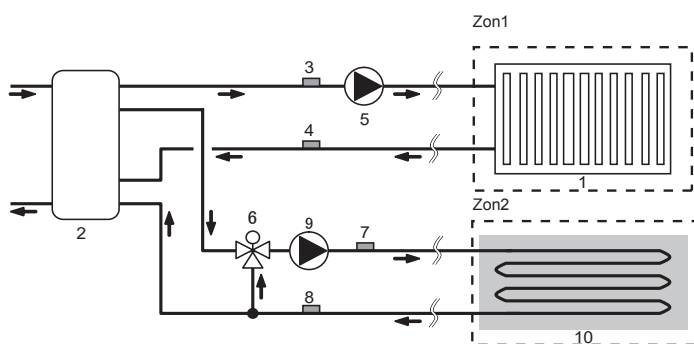
3 Teknisk information

■ Lokalt system

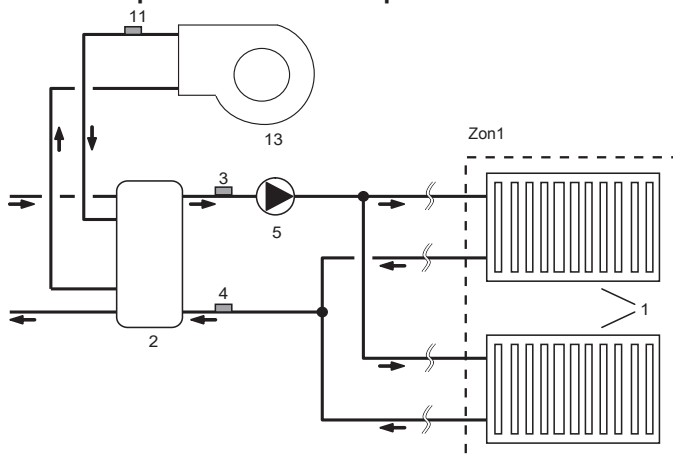
1-zonstemperaturkontroll



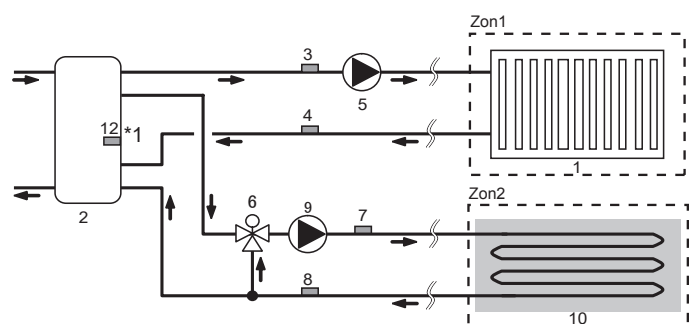
2-zonstemperaturkontroll



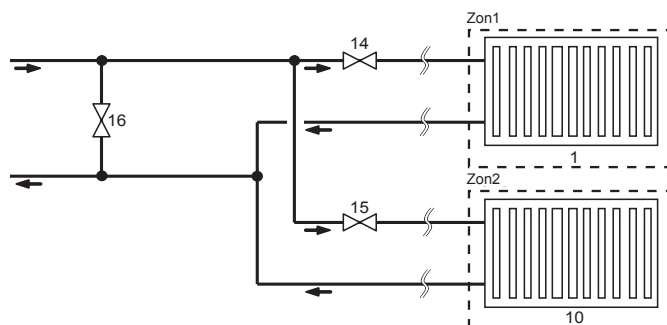
1-zonstemperaturkontroll med panna



2-zonstemperaturkontroll och bufferttankstyrning



1-zonstemperaturkontroll (2-zonsventil PÅ/AV-kontroll)



1. Zon1-värmeavgivare (t.ex. element, fläktkonvektor) (lokal anskaffning)

2. Mixtank (lokal anskaffning)

3. Temperaturtermistor för framledningsvatten för Zon1 (THW6)

4. Temperaturtermistor för returvatten för Zon1 (THW7)

5. Zon1-vattencirkulationspump (lokal anskaffning)

6. Motoriserad mixventil (lokal anskaffning)

7. Temperaturtermistor för framledningsvatten för Zon2 (THW8)

8. Temperaturtermistor för returvatten för Zon2 (THW9)

9. Zon2-vattencirkulationspump (lokal anskaffning)

10. Zon2-värmeavgivare (t.ex. golvvärme) (lokal anskaffning)

11. Temperaturtermistor för framledningsvatten för panna (THWB1)

12. Givare för mixtank (THW10) *1

13. Panna (lokal anskaffning)

14. 2-vägsventil för Zon1 (lokal anskaffning)

15. 2-vägsventil för Zon2 (lokal anskaffning)

16. Förbiledningsventil (lokal anskaffning)

*1 ENDAST bufferttankstyrning (värme/kyla) gäller "Redo för smarta elnät".

4 Installation

<Förberedelse innan installationen och service>

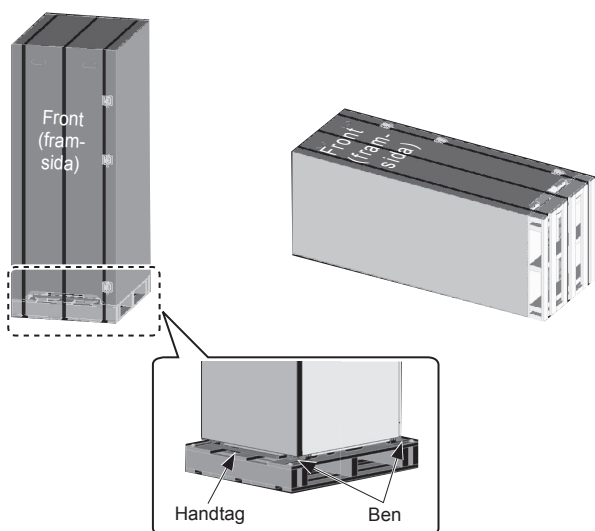
- Förbered de lämpliga verktygen.
- Förbered lämpligt skydd.
- Låt delarna kallna innan du försöker utföra något underhåll.
- Förse tillräckligt med ventiler.
- Efter att du stoppat driften av systemet, stäng av strömbrytaren och dra ur strömkontakten.
- Ladda ur kondensatorn innan du påbörjar arbete som involverar de elektriska delarna.

<Försiktighet under service>

- Utför inget arbete som involverar elektriska delar med våta händer.
- Håll inte vatten eller vätskor i de elektriska delarna.
- Rör inte köldmediet.
- Rör inte de varma eller kalla ytorna i köldmediecykeln.
- Om reparation eller inspektion av kretsen behöver göras utan att strömmen stängs av, var mycket försiktig så att du inte vidrör några strömförande delar.

4.1 Placering

■ Transport och hantering



Cylindertanken levereras på en träpall med pappskydd.

Var aktsam så att höljet inte skadas av stötar vid transport av cylindertanken. Ta inte bort det skyddande emballaget innan cylindertanken har placerats på sin slutgiltiga plats. På så sätt skyddas konstruktionen och kontrollpanelen.

- Cylindertanken kan transporteras vertikalt eller horisontellt. Om den transporteras horisontellt måste panelen som är märkt med "Front" (framsida) vara vänd **UPPÅT** <Bild 4.1.1>.
- Det måste ALLTID vara minst 3 personer som flyttar cylindertanken.
- Bär cylindertanken med de medföljande handtagen.
- Se till så att handtagen sitter ordentligt fast innan de används.
- **Ta bort främre handtag, fötter, träpall och annat emballage när enheten är på plats där den ska installeras.**
- **Ha kvar handtagen för framtida transporter.**

■ Lämplig plats

Före installation ska cylindertanken förvaras på en frostfri och väderskyddad plats. Enheter får **INTE** staplas.

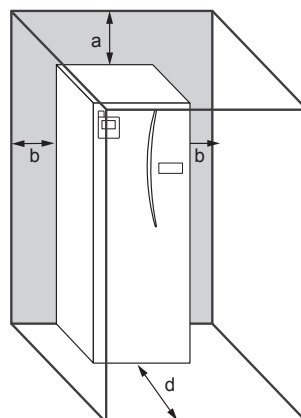
- Cylindertanken ska installeras inomhus på en frostfri och väderskyddad plats.
- Installera cylindertanken där den inte utsätts för vatten/mycket fukt.
- Cylindertanken ska placeras på en plan yta som klarar tankens vikt då den är full. (Justerbara fötter (tillbehör) kan användas för att säkerställa att enheten står plant.)
- Se till så att golvet är tillräckligt starkt om de justerbara fötterna ska användas.
- Se till så att det finns tillräckligt med plats runt och framför enheten så att service kan utföras på den. <Bild 4.1.2>.
- Säkra fast cylindertanken så att det inte finns risk för att den välts omkull.

■ Serviceåtkomstdiagram

Serviceåtkomst	
Parameter	Mått (mm)
a	300*
b	150
c (avstånd bakom enheten syns inte på bild 4.1.2)	10
d	500

<Tabell 4.1.1>

Tillräckligt med utrymme **MÅSTE** lämnas för avtappningsledningar enligt föreskrifterna i lokala och nationella byggnadsbestämmelser.



<Bild 4.1.2>
Serviceåtkomst

* Ytterligare 300 mm spelrum (totalt 600 mm) behövs när alternativt 2-zonskit (PAC-TZ02-E) installeras ovanpå cylindertanken.

Cylindertanken måste förvaras inomhus och i en frostfri miljö, till exempel i ett förråd, för att minimera värmeförlusten hos lagrat vatten.

■ Omplacering

Om du behöver flytta cylindertanken till en ny placering ska du **HELT DRÄNERA** cylindertanken innan du flyttar den för att undvika skada på enheten.

4 Installation

4.2 Vattenkvalitet och systemförberedelser

■ Allmänt

- Vattnet i både primär- och sanitärkretsen ska vara rent och ha ett pH-värde på 6,5-8,0.
- Följande värden är maxvärden;
 - Kalcium: 100 mg/L, ca hårdhet: 250 mg/L
 - Klorid: 100 mg/L, Koppar: 0,3 mg/L
- Andra beståndsdelar måste uppfylla standarderna i europeiska direktivet 98/83 EG.
- I områden där man vet att det finns hårt vatten är det, för att förhindra/minimera avlagringar, fördelaktigt att begränsa den rutinmässiga lagrade vattentemperaturen (max. varmvattentemp.) till 55°C.

■ Antifrys

Antifrysmedel borde användas med propylenglykol med en toxicitet av klass 1 såsom listas i Clinical Toxicology of Commercial Products, 5:e upplagan.

Observera:

1. Etylenglykol är giftigt och borde INTE användas i primärvattennätet pga. överföringsrisk som ger förorening av dricksvattnet.
2. För PÅ/AV-kontroll för 2-zonsventil borde propylenglykol användas.

■ Ny installation (primär vattenkrets)

- Rengör rördledningarna ordentligt innan du ansluter utomhusenheten, och avlägsna skräp, lod osv. med hjälp av lämpligt kemiskt rengöringsmedel.
- Spola systemet för att avlägsna rengöringsmedlet.
- För alla enhetssystem måste en kombinerad lösning med inhibitor och antifrysmedel tillsättas för att förhindra skada på rördledningar och systemkomponenter.
- För splitsystem ska ansvarig installatör avgöra om antifrysmedel behövs beroende på förhållandena på installationsplatsen. Korrosionsinhibitor måste dock alltid användas.

■ Befintlig installation (primär vattenkrets)

- Innan utomhusenheten ansluts MÅSTE den befintliga värmekretsen rengöras kemiskt för att avlägsna damm och smuts.
- Spola systemet för att avlägsna rengöringsmedlet.
- För alla enhetssystem samt splitsystem eller PUMY-system utan tillskottsvärmare måste en kombinerad lösning med inhibitor och antifrysmedel tillsättas för att förhindra skada på rördledningar och systemkomponenter.
- För splitsystem ska ansvarig installatör avgöra om antifrysmedel behövs beroende på förhållandena på installationsplatsen. Korrosionsinhibitor måste dock alltid användas.

Följ alltid tillverkarens anvisningar vid användning av kemiska rengöringsmedel och inhibitorer för att säkerställa att produkten är lämplig för materialen som används i vattenkretsen

SV

4.3 Vattenledningar

■ Varma vattenledningar

Tanken är **SLUTEN**. Iaktta byggnadsbestämmelserna, del G3 (England och Wales), P3 (Skottland) och P5 (Nordirland), vid installation av slutna varmvattensystem. För länder utanför Storbritannien gäller landets egna bestämmelser för slutna varmvattensystem måste iakttas.

Anslut framledningen för varmvatten till rör A (bild 3.1).

Funktionen hos följande säkerhetskomponenter på cylindertanken måste kontrolleras under installationen så inget onormalt förekommer;

- Trycksäkerhetsventil (primär krets och tank)
- Försladdning av expansionskärl (gasladdningstryck)

Anvisningarna gällande säker avtappning av varmvatten från säkerhetsanordningar på följande sidor måste följas noggrant.

- Ledningarna blir väldigt varma och bör därför isoleras för att förhindra brännskador.
- Se till att inga främmande föremål som smuts eller liknande kommer in i röret när rördledning ansluts.

■ Kalla vattenledningar

Kallvatten av lämplig standard (se avsnitt 4.2) ska införas i systemet genom anslutning av rör B (bild 3.1) med lämpliga kopplingar.

■ Förhindra negativt tryck

För att förhindra att negativt tryck påverkar varmvattentanken ska montören installera lämpliga ledningar eller använda lämpliga enheter.

■ Minsta erforderade mängd vatten i rumsuppvärmnings-/rums kylningskretsen

Utomhusvärmepump	Genomsnitt/varmare klimat**		Kallare klimat**	
	Inomhusenhet innehållande vattenmängd [L]	*Ytterligare vattenmängd som krävs [L]	Inomhusenhet innehållande vattenmängd [L]	*Ytterligare vattenmängd som krävs [L]
Enhets system	PUZ-WM50	2	5	24
	PUZ-WM60	4		29
	PUZ-WM85	7		32
	PUZ-WM112	11		43
	PUZ-HWM140	15		55
Split system	SUZ-SWM40	1	5	12
	SUZ-SWM60	2		21
	SUZ-SWM80	4		29
	PUD-S(H)WM60	4		21
	PUD-S(H)WM80	6		29
	PUD-S(H)WM100	9		38
	PUD-S(H)WM120	12		47
	PUD-SHW140	15		55
	PUHZ-FRP71	6		27
	PUHZ-SW75	6		27
	PUHZ-SW100	9		38
	PUHZ-SW120	12		47
	PUHZ-SHW80	6		29
	PUHZ-SHW112	11		43
	PUHZ-SHW140	15		55
	PUMY-P112	22		75
PUMY-P125	22	75		
PUMY-P140	22	75		

<Tabell 4.2.1>

* Om det finns en förbikopplingskrets anger den ovanstående tabellen den minsta mängden vatten vid förbikoppling.

** Se 2009/125/EG: Direktiv och förordning för energirelaterade produkter (EU) nr 813/2013 för att bekräfta din klimatzon.

Fall 1. Ingen delning mellan primär och sekundär krets

- Säkerställ att vattenmängden som behövs enligt tabell 4.2.1 finns i vattenrör, element eller golvvärme.

Fall 2. Separat primär och sekundär krets

- Om interlock av den primära och sekundära pumpen inte är tillgänglig ska du säkerställa att det ytterligare vatten som behövs endast är i primärkretsen, i enlighet med tabell 4.2.1.
- Om interlock av den primära och sekundära pumpen är tillgänglig ska du säkerställa att den totala vattenmängden för den primära och sekundära kretsen är i enlighet med tabell 4.2.1.

Vid vattenbrist ska du montera en bufferttank.

■ Hydrauliskt filterarbete (ENDAST E*PT-serien)

Installera ett hydrauliskt filter (lokal anskaffning) vid vatteninloppet ("Rör E" på bild 3.1)

■ Rördledningsanslutningar

Anslutningar till cylindertanken ska göras med lämpliga kompressionskopplingar på 22 mm eller 28 mm.

Vid anslutning av varmvattenrör med kompressionskopplingar, infoga **kopparinsatsen för varmvattenrör** (tillvalsdelar) i rören och dra åt mellan 0,75 och 1,25 varv.

Dra inte åt kompressionskopplingar för hårt eftersom detta kan leda till läckage och att låsringen deformeras.

Obs! Innan rör svetsas lokalt ska du skydda rören på cylindertanken med våta handdukar eller liknande så att dessa skapar en "värmesköld".

■ Isolering av rördledning

- Alla frilagda vattenledningar ska isoleras för att förhindra onödig värmeförlust och kondensation. För att förhindra att kondensation tränger in i cylindertanken ska rördledningarna och anslutningarna ovanpå cylindertanken isoleras noggrant.
- Kall- och varmvattenledningar ska i den mån det är möjligt inte ledas nära varandra för att undvika oönskad värmeöverföring.
- Rördledningar mellan värmepumpen utomhus och cylindertanken ska isoleras med lämpligt rörisoleringsmaterial med värmekonduktivitet på $\leq 0,04$ W/mK.

4 Installation

■ Avtappningsledningar (ENDAST ER-serien)

Tillvalsdelen "Stativ för dräneringsskål" behöver inte monteras eftersom dräneringsskålen är installerad. Dräneringen ska anslutas från dräneringshylsan som sitter till vänster på enhetens baksida.

Dräneringsröret ska monteras för att dränera vatten som kondenserar under kylåget.

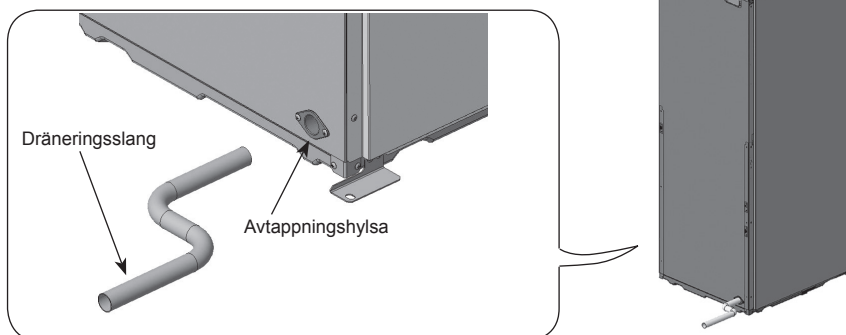
- För att förhindra smutsvatten från att tappas ur direkt på golvet bredvid cylindereheten ska du ansluta lämpliga ledningar från cylindrens dräneringsskål.
- Montera avtappningsröret på ett säkert sätt för att förhindra läckage från anslutningen.
- Isolera avtappningsröret på ett säkert sätt för att förhindra att vatten-droppar från det lokala tillhandahållna avtappningsröret.
- Montera avtappningsröret i en nedåtlutning på minst 1/100.
- Placera inte avtappningsröret i dräneringskanalen där det finns svavelgaser.
- Efter monteringen kontrollerar du att avtappningsröret dränerar vattnet ordentligt från rörets utlopp till lämpligt avlopp.

<Installation>

Observera: Det kan vara mera praktiskt att montera dräneringsslangen innan cylindertanken placeras på stativet.

1. Dräneringshylsan (innerdiameter 26 mm) sitter till vänster på cylindertankens baksida. (Bild 4.3.1)
2. Fäst dräneringsröret (VP-20) som är anpassat för dräneringshylsan med den självhäftande polyvinylkloriden.
3. Fäst dräneringsröret till utloppet i en nedåtgående lutning som är större än en hundradel.

Observera: Stötta det lokalt tillhandahållna avtappningsröret på ett säkert sätt för att undvika att dräneringsröret lossnar från avtappningshylsan.



<Bild 4.3.1>

■ Dimensionering av expansionskärl

Expansionskärlsvolymen måste passa för det lokala systemets vattenvolym. För att dimensionera ett expansionskärl för värmekretsen kan följande formel och diagram användas.

Om den nödvändiga expansionskärlsvolymen överskrider ett inbyggt expansionskärls volym, installera ytterligare ett expansionskärl så att summan av volymerna för expansionskärlen överskrider den nödvändiga expansionskärlsvolymen.

* Vid installation av en E**T***-*M*ED*-modell ska du anskaffa och montera ett lämpligt primärsideexpansionskärl och en extra trycksäkerhetsventil som är klassad för 3 bar eftersom denna modell INTE levereras med ett primärsideexpansionskärl.

$$V = \frac{\varepsilon \times G}{1 - \frac{P_1 + 0,098}{P_2 + 0,098}}$$

Där;

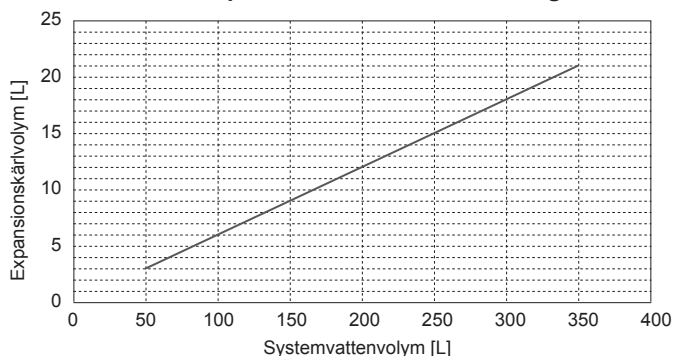
- V : Nödvändig expansionskärlsvolym [L]
- ε : Vattenexpansionskoefficient
- G : Totalvolymen vatten i systemet [L]
- P₁ : Expansionskärllets inställningstryck [MPa]
- P₂ : Maxtryck under drift [MPa]

Diagrammet till höger gäller för följande värden

- ε : vid 70°C = 0,0229
- P₁ : 0,1 MPa
- P₂ : 0,3 MPa

*En säkerhetsmarginal på 30 % har lagts till.

Expansionskärl-dimensionering



<Bild 4.3.2>

4 Installation

Vattencirkulationspumpens egenskaper

1. Primärkrets

Pumphastighet kan väljas genom huvudkontrollinställning (se <bild 4.3.3 - 4.3.7>). Justera pumphastighetsinställningen så att flödet i primärkretsen är lämpligt för den installerade utomhusenheten (se tabell 4.3.1). Det kan vara nödvändigt att lägga till ytterligare en pump till systemet beroende på primärkretsens längd och höjning.

För utomhusmodeller som inte anges i <Tabell 4.3.1>, se vattenflödesintervall i utomhusenhetens databok.

<Andra pumpen >

Läs följande information noggrant om det krävs en andra pump för installationen. Om en andra pump används i systemet kan den placeras på 2 sätt. Pumpens placering påverkar vilket av uttagen på FTC som signalkabeln ska kopplas till. Använd lämpligt relä om extrapumpen/extrapumparna har högre spänning än 1A. Pumpens signalkabel kan antingen kopplas till TBO.1 1-2 eller CNP1 men inte till båda.

Alternativ 1 (endast rumsuppvärmning/-kylning)

Om andrapumpen används enbart till värmekretsen ska signalkabeln kopplas till TBO.1-uttagen 3 och 4 (OUT2). I den här positionen kan pumpen köras i en annan hastighet än cylindertankens inbyggda pump.

Alternativ 2 (primärkretsvarmvatten och rumsuppvärmning/-kylning)

Om andrapumpen används i primärkretsen mellan cylindertanken och utomhusenheten (ENDAST enhetssystem) ska signalkabeln kopplas till TBO.1-uttagen 1 och 2 (OUT1). I den här positionen **MÅSTE** pumphastigheten överensstämma med hastigheten på cylindertankens inbyggda pump.

Observera: Se 5.2 Ansluta externa ingångar/utgångar.

	Utomhusvärmepump	Vattenflödesintervall [L/min]
Enhetssystem	PUZ-WM50	6,5 - 14,3
	PUZ-WM60	8,6 - 17,2
	PUZ-WM85	10,8 - 24,4
	PUZ-WM112	14,4 - 32,1
	PUZ-HWM140	17,9 - 36,9
Splitsystem	SUZ-SWM40	6,5 - 11,4
	SUZ-SWM60	7,2 - 17,2
	SUZ-SWM80	7,8 - 21,5
	PUD-S(H)WM60	9,0 - 22,9
	PUD-S(H)WM80	9,0 - 22,9
	PUD-S(H)WM100	14,3 - 34,4
	PUD-S(H)WM120	14,3 - 34,4
	PUD-SHW140	14,3 - 34,4
	PUHZ-FRP71	11,5 - 22,9
	PUHZ-SW75	10,2 - 22,9
	PUHZ-SW100	14,4 - 32,1
	PUHZ-SW120	20,1 - 36,9
	PUHZ-SHW80	10,2 - 22,9
	PUHZ-SHW112	14,4 - 32,1
	PUHZ-SHW140	17,9 - 36,9
PUMY-P112	17,9 - 35,8	
PUMY-P125	17,9 - 35,8	
PUMY-P140	17,9 - 35,8	

<Tabell 4.3.1>

* Om vattenflödet är mindre än 5,0 L/min aktiveras flödesfelet.

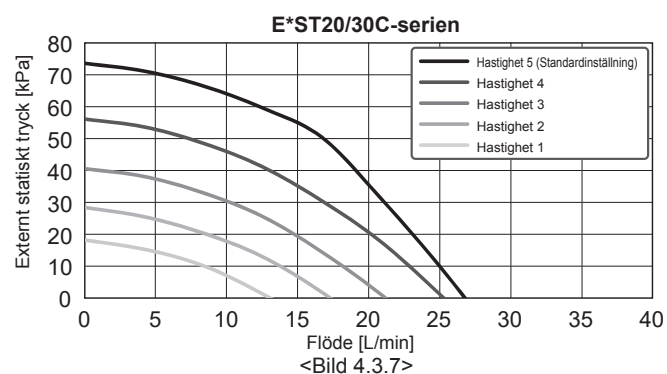
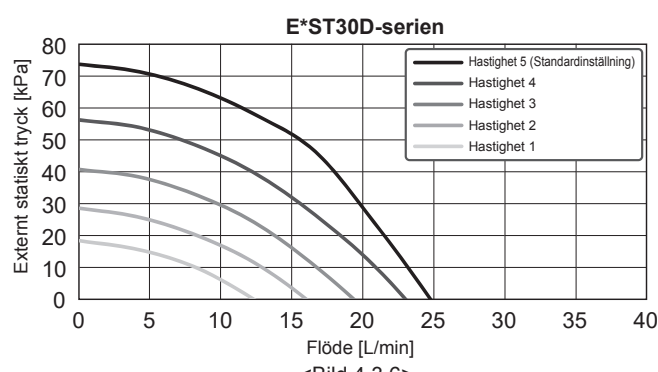
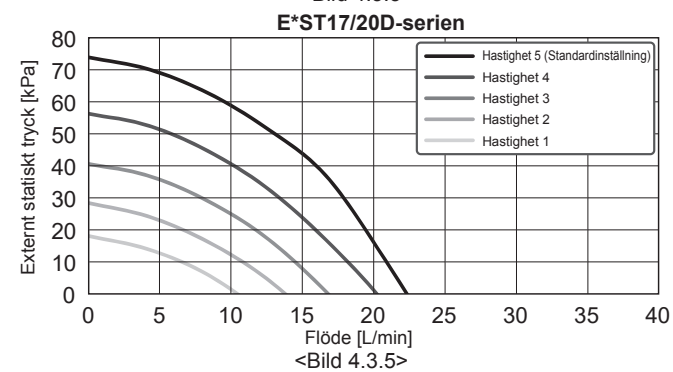
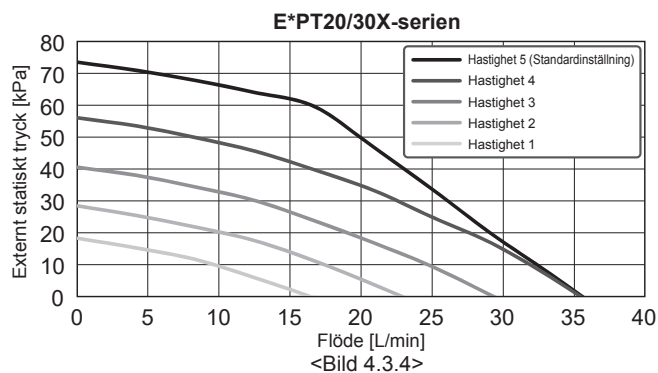
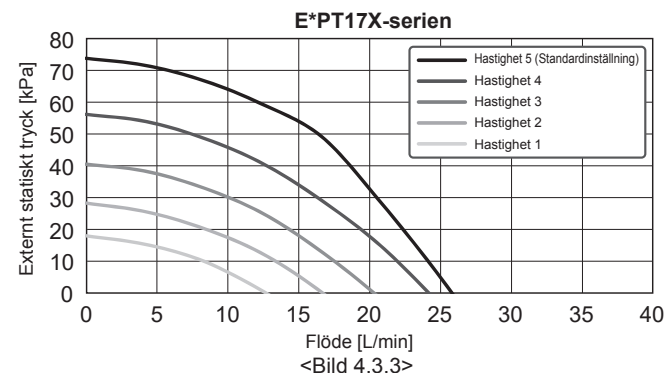
Om vattenflödes hastigheten överstiger 36,9 L/min (E**T20/30-serien) eller 25,8 L/min (E**T17-serien) kommer flödes hastigheten att överstiga 2,0 m/s, vilket kan slita ut rören.

2. Sanitärkrets

Standardinställning: Hastighet 2

Cirkulationspumpen för varmvatten MÅSTE ställas in på hastighet 2.

Vattencirkulationspumpens egenskaper



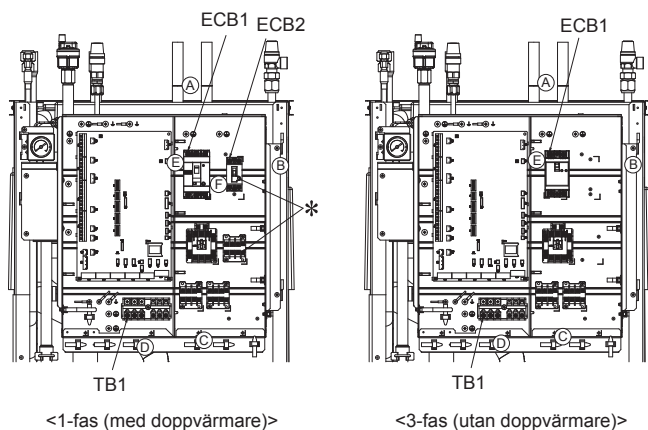
*För installation av E*PT-serien ska du ställa in dess pumphastighet med en tryckminskning mellan cylindertanken och utomhusenheten inställd efter det externa statiska trycket.

4 Installation

4.4 Elektrisk anslutning

Allt elektriskt arbete ska utföras av en behörig tekniker. Om detta krav inte efterlevs kan det leda till elstötar, brand och dödsfall. Det gör också att garantin blir ogiltig. All dragnings av elektriska ledningar ska utföras enligt lokala bestämmelser.

Strömbrytarförkortning	Betyder
ECB1	Jordfelskrets brytare för tillskottsvärmare
ECB2	Jordfelskrets brytare för doppvärmare
TB1	Kopplingsplint 1



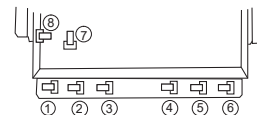
Cylindertanken kan strömförsörjas på två sätt.

1. Strömkabel leds från utomhusenheten till cylindertanken.
2. Cylindertanken har en egen strömkälla.

Gör anslutningar till uttagen som indikeras på bilderna till vänster nedan beroende på fasen.

Tillskottsvärmare och doppvärmare ska anslutas oberoende från varandra till enskilt avsedda strömförsörjningskällor.

- A Lokalt tillhandahållna ledningar ska föras in genom ingångarna ovanpå cylindertanken. (Se <tabell 3.4>.)
- B Ledningar ska matas ned på styr- och elländans högra sida och klämmas fast med medföljande klämmor.
- C Ledningarna ska föras in enskilt genom kabelgångarna enligt nedan.
 - 2 Utgångsledning
 - 3 Inomhus-utomhusledning
 - 5 Elledning (B.H.)/ Elledning (I.H.) (tillval)
 - 7 Signalingångsledning



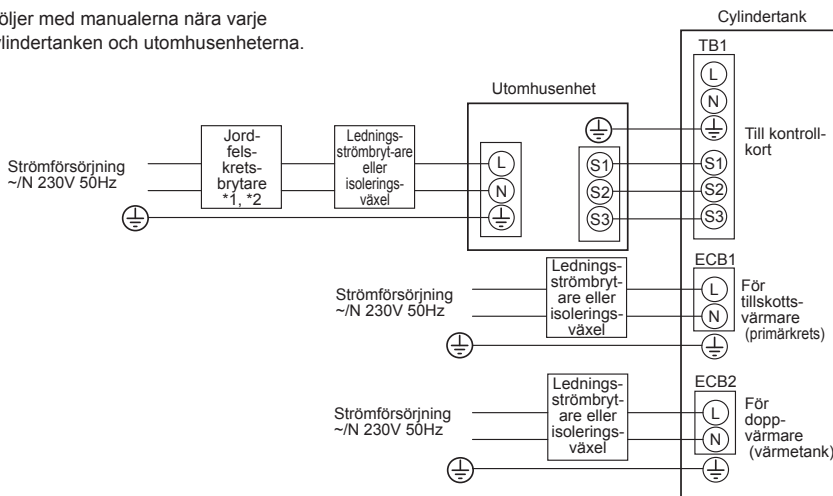
- D Anslut utomhusenheten – cylindertankens anslutningskabel till TB1.
- E Anslut tillskottsvärmarens strömkabel till ECB1.
- F Om doppvärmare finns ska strömkabeln anslutas till ECB2.

- Undvik kontakt mellan ledningar och delar (*).
- Säkerställ att ECB1 och ECB2 är PÅ.
- När kabeldragningen är klar ska du se till så att huvudkontrollkabeln är ansluten till reläkopplingen.

Strömförsörjning av cylindertanken via utomhusenheten
(Om du vill använda en oberoende källa ska du gå till Mitsubishis webbplats.)

<1-fas>

Fäst etikett A som medföljer med manualerna nära varje kopplingsdiagram för cylindertanken och utomhusenheterna.



<Bild 4.4.1>
Elanslutningar 1-fas

- *1. Om den installerade jordfelskrets brytaren inte har en överströmsskyddsfunktion, installera en strömbrytare med den funktionen på samma elledning.
- *2. En strömbrytare med minst 3,0 mm kontaktavstånd i varje pol ska monteras. Använd jordfelsbrytare (NV). Strömbrytaren ska monteras för att säkerställa fränkoppling av alla aktiva fasledare.
- *3. Högst 45 m
Om 2,5 mm² används, max. 50 m
Om 2,5 mm² används och S3 åtskild, max. 80 m
- *4. Värdena i tabellen ovan mäts inte alltid mot grundvärdet.

Beskrivning	Strömtillförsel	Kapacitet	Strömbrytare	Koppling
Tillskottsvärmare (primärkrets)	~N 230 V 50 Hz	2 kW	16 A *2	2,5 mm ²
		6 kW	32 A *2	6,0 mm ²
Doppvärmare (varmvattentank)	~N 230 V 50 Hz	3 kW	16 A *2	2,5 mm ²

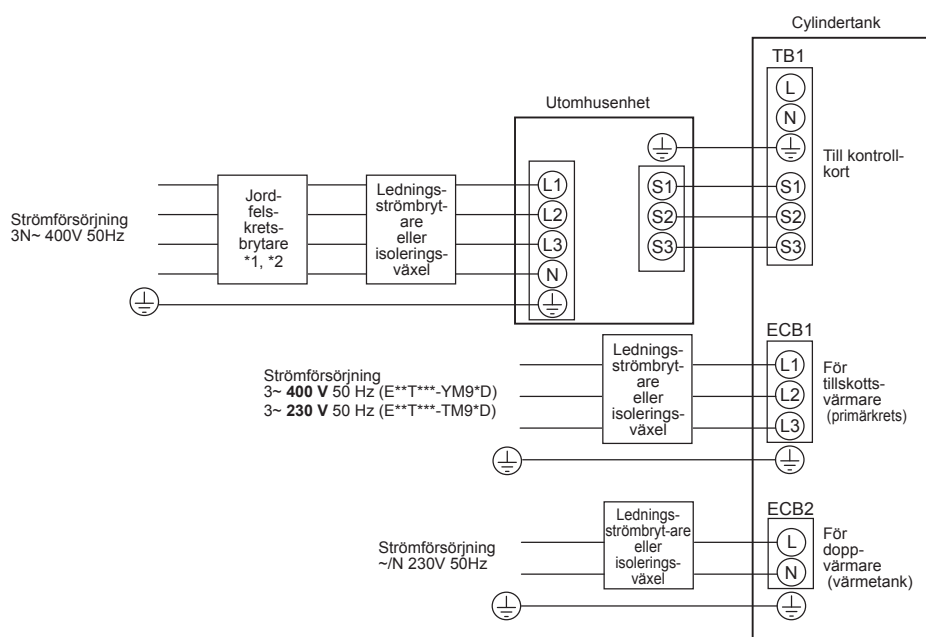
Koppling Ledningsnr. x storlek (mm ²)	Cylindertank - utomhusenhet	*3	3 × 1,5 (polär)
	Cylindertank - utomhusenhet jord	*3	1 × Min. 1,5
Ström- märk- ning	Cylindertank - utomhusenhet S1 - S2	*4	230V AC
	Cylindertank - utomhusenhet S2 - S3	*4	24V DC

- Observera:
1. Ledningsstorlekar måste uppfylla lokala och nationella bestämmelser.
 2. Anslutningskablar mellan inomhusenhet/utomhusenhet får inte vara lättare än mjuka polykloroprenöverdragna kablar. (Design 60245 IEC 57)
Strömförsörjningskablar till inomhusenheten får inte vara lättare än mjuka polykloroprenöverdragna kablar. (Design 60227 IEC 53)
 3. Installera en jordkabel som är längre än andra kablar.
 4. Se till så att tillräcklig strömförsörjningsutgångskapacitet finns för varje värmare. Brist på strömförsörjningskapacitet kan orsaka skramlande.

4 Installation

<3-fas>

Fäst etikett A som medföljer med manualerna nära varje kopplingsdiagram för cylindertanken och utomhusenheterna.



<Bild 4.4.2>
Elanslutningar 3-fas

Beskrivning	Strömtillförsel	Kapacitet (inomhusenhet-sköldmedium)	Strömbrytare	Koppling
Tillskottsvärmare (primärkrets)	3~ 400 V 50 Hz	9 kW	16 A *2	2,5 mm ²
	3~ 230 V 50 Hz	9 kW	32 A *2	6,0 mm ²
Doppvärmare (varmvattentank)	~/N 230 V 50 Hz	3 kW	16 A *2	2,5 mm ²

Koppling Ledningsnr. x storlek (mm ²)	Cylindertank - utomhusenhet	*3	3 x 1,5 (polär)
	Cylindertank - utomhusenhet jord	*3	1 x Min. 1,5
Krets- märkning	Cylindertank - utomhusenhet S1 - S2	*4	230 V AC
	Cylindertank - utomhusenhet S2 - S3	*4	24 V DC

- *1. Om den installerade jordfelskretsbrytaren inte har en överströmsskyddsfunktion, installera en strömbrytare med den funktionen på samma elledning.
- *2. En strömbrytare med minst 3,0 mm kontaktavstånd i varje pol ska monteras. Använd jordfelsbrytare (NV). Strömbrytaren ska monteras för att säkerställa fränkoppling av alla aktiva fasledare.
- *3. Högst 45 m
Om 2,5 mm² används, max. 50 m
Om 2,5 mm² används och S3 åtskild, max. 80 m
- *4. Värdena i tabellen ovan mäts inte alltid mot grundvärdet.

Observera: 1. Ledningsstorlekar måste uppfylla lokala och nationella bestämmelser.

- 2. Anslutningskablar mellan inomhusenhet/utomhusenhet får inte vara lättare än mjuka polykloroprenöverdragna kablar. (Design 60245 IEC 57)
Strömförsörjningskablar till inomhusenheten får inte vara lättare än mjuka polykloroprenöverdragna kablar. (Design 60227 IEC 53)
- 3. Installera en jordkabel som är längre än andra kablar.
- 4. Se till så att tillräcklig strömförsörjningsutgångskapacitet finns för varje värmare. Brist på strömförsörjningskapacitet kan orsaka skramlande.

5 Systeminställning

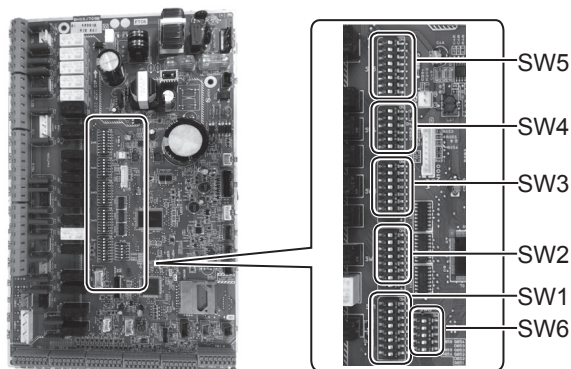
5.1 Dip-växlarfunktioner

Bredvid varje växlare står det motsvarande Dip-växlarnumret skrivet på kretskortet. Ordet ON (på) står på kretskortet och på själva Dip-växlarblocket. För att flytta växlare behöver du en nål eller hörnet på en tunn metallinjal eller liknande.

Dip-växlarinställningarna finns listade nedan i tabell 5.1.1.

Endast en auktoriserad installatör kan ändra inställningarna av DIP-växlaren under ens eget ansvar enligt installationsförhållandena.

Se till att stänga av både inomhusenhetens och utomhusenhetens strömförsörjning innan du ändrar växlarinställningarna.



<Bild 5.1.1>

Dip-växlare	Funktion	AV	PÅ	Grundinställningar: Inomhusenhetsmodell			
SW1	SW1-1 Panna	UTAN panna	MED panna	AV			
	SW1-2 Värmepumpens maxtemperatur för utloppsvattnet	55°C	60°C	PÅ *1			
	SW1-3 Varmvattentank	UTAN varmvattentank	MED varmvattentank	PÅ			
	SW1-4 Doppvärmare	UTAN doppvärmare	MED doppvärmare	AV: Utom EHPT20X-MHEDW PÅ: EHPT20X-MHEDW			
	SW1-5 Tillskottsvärmare	UTAN tillskottsvärmare	MED tillskottsvärmare	AV: E**T***-M*ED* PÅ: E**T***-M 2/6/9*D			
	SW1-6 Tillskottsvärmarens funktion	Endast uppvärmning	För uppvärmning och varmvatten	AV: E**T***-M*ED* PÅ: E**T***-M 2/6/9*D			
	SW1-7 Utomhusenhetstyp	Splittyp	Enhetstyp	AV: E*ST***-M**D PÅ: E*PT**X-*M**D*			
	SW1-8 Trådlös fjärrkontroll	UTAN trådlös fjärrkontroll	MED trådlös fjärrkontroll	AV			
SW2	SW2-1 Rumstermostat 1-ingång (IN1) logisk ändring	Zon1-driftstopp vid termostat kort	Zon1-driftstopp vid termostat öppen	AV			
	SW2-2 Flödesvakt 1 ingång (IN2) logisk ändring	Feldetektion vid kort	Feldetektion vid öppen	AV			
	SW2-3 Tillskottsvärmarens kapacitetsbegränsning	Inaktiv	Aktiv	AV: Utom E**T***-VM2*D PÅ: E**T***-VM2*D			
	SW2-4 Kyllägesfunktion	Inaktiv	Aktiv	AV: EH*T***-M**D* PÅ: ER*T***-M**D			
	SW2-5 Automatisk växling till backupvärmekälldrift (Om utomhusenhet stoppar av fel)	Inaktiv	Aktiv *2	AV			
	SW2-6 Mixtank	UTAN mixtank	MED mixtank	AV			
	SW2-7 2-zonstemperaturkontroll	Inaktiv	Aktiv *6	AV			
	SW2-8 Flödessensor	UTAN flödessensor	MED flödessensor	PÅ			
SW3	SW3-1 Rumstermostat 2 ingång (IN6) logisk ändring	Zon2-driftstopp vid termostat kort	Zon2-driftstopp vid termostat öppen	AV			
	SW3-2 Flödesvakt 2 ingång (IN3) logisk ändring	Feldetektion vid kort	Feldetektion vid öppen	AV			
	SW3-3 3-vägsventil typ	Växelströmsmotor	Stegmotor	AV: Utom E**T17X/17D/20D-*M**D* PÅ: E**T17X/17D/20D-*M**D			
	SW3-4 Elektrisk energimätare	UTAN elektrisk energimätare	MED elektrisk energimätare	AV			
	SW3-5 Värmelägesfunktion *3	Inaktiv	Aktiv	PÅ			
	SW3-6 2-zonsventil PÅ/AV-kontroll	Inaktiv	Aktiv	AV			
	SW3-7 Värmeväxlare för varmvatten	Spole i tank	Extern platta HEX	PÅ			
	SW3-8 Värmemängdsmätare	UTAN värmemängdsmätare	MED värmemängdsmätare	AV			
SW4	SW4-1	—	—	AV			
	SW4-2	—	—	AV			
	SW4-3	—	—	AV			
	SW4-4 Enbart inomhusenhetsdrift (under installationsarbete) *4	Inaktiv	Aktiv	AV			
	SW4-5 Nödläge (endast värmedrift)	Normal	Nödläge (endast värmedrift)	AV *5			
	SW4-6 Nödläge (Pannedrift)	Normal	Nödläge (Pannedrift)	AV *5			
SW5	SW5-1	—	—	AV			
	SW5-2 Avancerad automatisk anpassning	Inaktiv	Aktiv	PÅ			
	SW5-3	Kapacitetskod					
	SW5-4		SW5-3	SW5-4	SW5-5	SW5-6	SW5-7
	SW5-5	E**T**C-*M**D	PÅ	PÅ	PÅ	PÅ	AV
	SW5-6	E**T**D-*M**D	PÅ	AV	AV	PÅ	AV
	SW5-7	E**T**X-*M**D*	AV	AV	AV	AV	AV
	SW5-8	—	—	—	—	—	AV
SW6	SW6-1	—	—	AV			
	SW6-2	—	—	AV			
	SW6-3 Trycksensor	Inaktiv	Aktiv	AV			
	SW6-4 Analog output signal (0-10 V)	Inaktiv	Aktiv	AV			
	SW6-5	—	—	—	AV		

<Tabell 5.1.1>

Observera: *1. Om cylindertanken är ansluten med en PUMY-P-utomhusenhet som har en maximal utloppsvattentemperatur på 55°C, måste Dip-växlare SW1-2 ändras till AV.

*2. Extern utgång (OUT11) kommer att vara tillgänglig. Av säkerhetsskäl är denna funktion inte tillgänglig för vissa fel. (I så fall måste systemets drift stoppas och endast vattencirkulationspumpen fortsätta vara i drift.)

*3. Denna växlar fungerar endast om cylindertanken är ansluten med en PUHZ-FRP-utomhusenhet. Om en annan typ av utomhusenhet är ansluten är värmelägesfunktionen aktiv oavsett om denna växlar är PÅ eller AV.

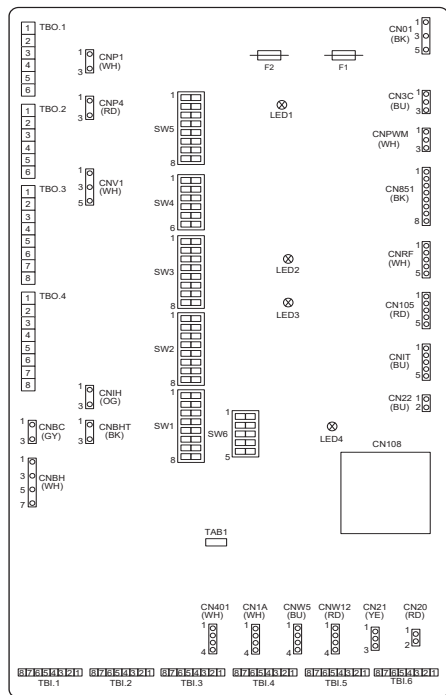
*4. Rumsuppvärmning och varmvatten kan endast styras via inomhusenheten, som en elektrisk värmare. (Se "5.4 Enbart inomhusenhetsdrift".)

*5. Om nödläge inte längre krävs, sätt tillbaka växlar till läget AV.

*6. Aktiv endast om SW3-6 är ställd till AV.

5 Systeminställning

5.2 Ansluta ingångar/utgångar



<Bild 5.2.1>

Ledningsspecifikation och lokalt anskaffade delar

Post	Namn	Modell och specifikationer
Signalings-funktion	Signalings-ledning	Använd mantlad vinylbelagd sladd eller kabel. Högst 30 m Ledningstyp: CV, CVS eller motsvarande Ledningsstorlek: Flertrådig ledare 0,13 mm ² till 0,52 mm ² Entrådig ledare: \varnothing 0,4 mm till \varnothing 0,8 mm
	Växlare	"A"-kontaktsignaler utan spänning Fjärrväxlare: minsta tillämpliga belastning 12 V DC, 1 mA

Obs!
Flertrådig ledare ska vara behandlade med en isolerad terminal (standardkompatibel DIN46228-4-typ).

Signalgångar

Namn	Kopplingsplint	Koppling	Post	AV (öppen)	PÅ (kort)
IN1	TBI.1 7-8	—	Rumstermostat 1 ingång *1	Se SW2-1 i <5.1 Dip-växlarfunktioner>.	
IN2	TBI.1 5-6	—	Flödesvakt 1 ingång	Se SW2-2 i <5.1 Dip-växlarfunktioner>.	
IN3	TBI.1 3-4	—	Flödesvakt 2 ingång (Zon1)	Se SW3-2 i <5.1 Dip-växlarfunktioner>.	
IN4	TBI.1 1-2	—	Behovskontrollgång	Normal	Värmekälla AV/ Pannedrift *3
IN5	TBI.2 7-8	—	Utomhustermostatsingång *2	Standarddrift	Värmedrift/ Pannedrift *3
IN6	TBI.2 5-6	—	Rumstermostat 2 ingång *1	Se SW3-1 i <5.1 Dip-växlarfunktioner>.	
IN7	TBI.2 3-4	—	Flödesvakt 3 ingång (Zon2)	Se SW3-2 i <5.1 Dip-växlarfunktioner>.	
IN8	TBI.3 7-8	—	Elektrisk energimätare 1	*4	
IN9	TBI.3 5-6	—	Elektrisk energimätare 2		
IN10	TBI.2 1-2	—	Värmemängdsmätare		
IN11	TBI.3 3-4	—	Redo för smarta elnät ingång	*5	
IN12	TBI.3 1-2	—			
INA1	TBI.4 1-3	CN1A	Flödessensor	—	—

*1. Ställ in PÅ/AV-cykeltiden för rumstermostaten till 10 minuter eller mer; annars kan kompressorn skadas.

*2. Om utomhustermostat används för att kontrollera användningen av värmare kan värmarnas och relaterade delars livslängd förkortas.

*3. För att sätta på pannedriften, använd huvudkontrollen för att välja "Panna" i "Externa ingångsinställningar"-skärmen i servicemenyn.

*4. Anslutningsbar elektrisk energimätare och värmemängdsmätare

- Pulstyp Spänningsfri kontakt för 12 VDC-detektion av FTC (Stiften TBI.2 1, TBI.3 5 och 7 har positiv spänning.)

- Pulsvaraktighet Minsta PÅ-tid: 40 ms
Minsta AV-tid: 100 ms

- Möjlig enhet för puls 0,1 puls/kWh 1 puls/kWh 10 puls/kWh
100 puls/kWh 1000 puls/kWh

De värdena kan ställas in med huvudkontrollen. (Se menyträdet i "Huvudkontroll".)

*5. För redo för smarta elnät, se "5.5 Redo för smarta elnät".

Termistoringångar

Namn	Kopplingsplint	Koppling	Post	Tillvalsdel modell
TH1	—	CN20	Termistor (Rumstemp.) (Tillval)	PAC-SE41TS-E
TH2	—	CN21	Termistor (Köldmedievätsketemp.)	—
THW1	—	CNW12 1-2	Termistor (Framledningsvattentemp.)	—
THW2	—	CNW12 3-4	Termistor (Returvattentemp.)	—
THW5A	—	CNW5 1-2	Termistor (Övre vattentemperatur för varmvattentank)	—
THW5B	—	CNW5 3-4	Termistor (Nedre vattentemperatur för varmvattentank)	—
THW6	TBI.5 7-8	—	Termistor (Zon1-framledningsvattentemp.) (Tillval) *1	PAC-TH011-E
THW7	TBI.5 5-6	—	Termistor (Zon1-returvattentemp.) (Tillval) *1	
THW8	TBI.5 3-4	—	Termistor (Zon2-framledningsvattentemp.) (Tillval) *1	PAC-TH011-E
THW9	TBI.5 1-2	—	Termistor (Zon2-returvattentemp.) (Tillval) *1	
THWB1	TBI.6 7-8	—	Termistor (Panne-framledningsvattentemp.) (Tillval) *1	PAC-TH012HT-E(5 m/
THW10	TBI.6 5-6	—	Termistor (Vattentemperatur för mixtank) (Tillval) *1	PAC-TH012HTL-E(30 m)

Se till att dra termistorledningarna bort från elledningen och/eller ledningarna OUT1 till 16.

*1. Den maximala längden för termistorledningen är 30 m.

Längden på termistorerna (tillval) är 5 m. Om du behöver skarva upp och förlänga ledningarna måste följande punkter utföras.

1) Anslut ledningarna genom lödning.

2) Isolera varje anslutningspunkt mot damm och vatten. Flertrådig ledare ska vara behandlade med en isolerad terminal (standardkompatibel DIN46228-4-typ).

5 Systeminställning

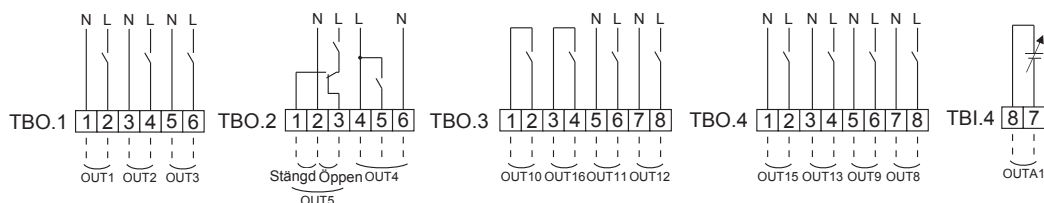
Utgångar

Namn	Kopplingsplint	Koppling	Post	AV	PÅ	Signal/Maxström	Max. total ström
OUT1	TBO.1 1-2	CNP1	Vattencirkulationspump 1-utgång (rumsuppvärmning/-kylning & varmvatten)	AV	PÅ	230 V AC 1,0 A Max. (Stötström max 40 A.)	4,0 A (a)
OUT2	TBO.1 3-4	—	Vattencirkulationspump 2-utgång (rumsuppvärmning/-kylning för Zon1)	AV	PÅ	230 V AC 1,0 A Max. (Stötström max 40 A.)	
OUT3	TBO.1 5-6	—	Vattencirkulationspump 3-utgång (rumsuppvärmning/-kylning för Zon2) *1	AV	PÅ	230 V AC 1,0 A Max. (Stötström max 40 A.)	
OUT14	—	CNP4	Vattencirkulationspump 4-utgång (varmvatten)	AV	PÅ	230 V AC 1,0 A Max. (Stötström max 40 A.)	
OUT4	TBO.2 4-6	CNV1	3-vägsventil (2-vägsventil) utgång	Värme	Varmvatten	230 V AC 0,1 A Max.	3,0 A (b)
	—	CN851	3-vägsventil utgång				
OUT5	TBO.2 1-2	—	Mixventilutgång *1	Avbrott	Stängd Öppen	230 V AC 0,1 A Max.	
	TBO.2 2-3						
OUT6	—	CNBH 1-3	Tillskottsvärmare 1-utgång	AV	PÅ	230 V AC 0,5 A Max. (relä)	
OUT7	—	CNBH 5-7	Tillskottsvärmare 2-utgång	AV	PÅ	230 V AC 0,5 A Max. (relä)	
OUT8	TBO.4 7-8	—	Kylsignalutgång	AV	PÅ	230 V AC 0,5 A Max.	
OUT9	TBO.4 5-6	CNIH	Doppvärmare utgång	AV	PÅ	230 V AC 0,5 A Max. (relä)	
OUT11	TBO.3 5-6	—	Fel utgång	Normal	Fel	230 V AC 0,5 A Max.	
OUT12	TBO.3 7-8	—	Avfrostning utgång	Normal	Avfrostning	230 V AC 0,5 A Max.	
OUT13	TBO.4 3-4	—	2-vägsventil 2a-utgång *2	AV	PÅ	230 V AC 0,1 A Max.	
OUT15	TBO.4 1-2	—	Komp PÅ signal	AV	PÅ	230 V AC 0,5 A Max.	
OUT10	TBO.3 1-2	—	Panneutgång	AV	PÅ	Icke-spänningskontakt ·220 - 240 V AC (30 V DC) ·0,5 A eller mindre ·10 mA 5 V DC eller mer	—
OUT16	TBO.3 3-4	—	Termostatsignal PÅ för värme/kyla	AV	PÅ		
OUTA1	TBI.4 7-8	—	Analog utgång		0 - 10 V	0 - 10 V DC 5 mA Max.	—

Anslut inte till de uttag som är indikerade som "—" i "kopplingsplint"-fältet.

*1 För 2-zonstemperaturkontroll.

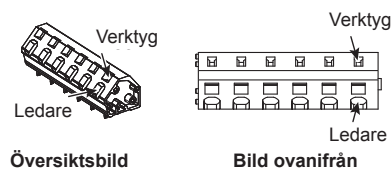
*2 För 2-zonsventil PÅ/AV-kontroll.



Ledningsspecifikation och lokalt anskaffade delar

Post	Namn	Modell och specifikationer
Extern utgångsfunktion	Utgångsledning	Använd mantlad vinylbelagd sladd eller kabel. Högst 30 m Ledningstyp: CV, CVS eller motsvarande Ledningsstorlek: Flertrådig ledare 0,25 mm ² till 1,5 mm ² Entrådig ledare: ø 0,57 mm till ø 1,2 mm

Hur du använder TBO.1 till 4



Anslut dem genom något av sätten som visas ovan.
<Bild 5.2.2>

Observera:

- När cylindertanken får ström via utomhusenheten är den maximala strömtotalsumman av (a)+(b) 3,0 A.
- Anslut inte flera vattencirkulationspumpar direkt till varje uttag (OUT1, OUT2, och OUT3). I ett sådant fall, anslut dem via (ett) relä(er).
- Anslut inte vattencirkulationspumpar till både TBO.1 1-2 och CNP1 samtidigt.
- Anslut en lämplig dämpare mot spänningssprång till OUT10 (TBO.3 1-2) beroende på belastningen på platsen.
- Flertrådig ledare ska vara bearbetad med isoleringstäckt uttagsdel (DIN46228-4 standardkompatibel typ).
- Använd samma sak som för signalgångsledningen OUTA1.

5.3 Kabeldragning för 2-zonstemperaturkontroll

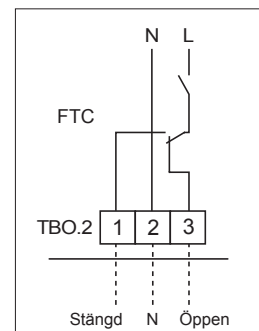
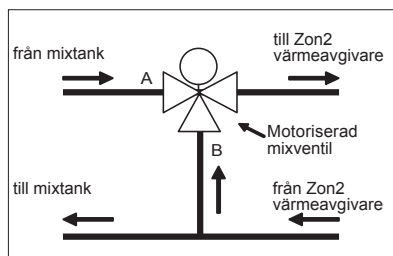
Anslut rörledningen och de lokalt anskaffade delarna enligt det relevanta kretsdiagrammet som visas under "Lokalt system" i avsnitt 3 i denna manual.

<Mixventil>

Anslut signalledningen för att öppna port A (varmvatteninloppsport) till TBO. 2-3 (Öppen), signalledningen för att öppna port B (kallvatteninloppsport) till TBO. 2-1 (Stängd) och den nollterminalledningen till TBO. 2-2 (N).

<Givare>

- Installera inte givarna på mixtanken.
- Installera givaren för Zon2-flödestemperatur (THW8) nära mixventilen.
- Givarledningens maximala längd är 30 m.
- Längden på de valfria givarna är 5 m. Om du behöver skarva och förlänga ledningarna måste följande punkter utföras.
 - Anslut ledningarna genom lödning.
 - Isolera alla anslutningspunkter mot damm och vatten.



5 Systeminställning

5.4 Enbart inomhusenhetsdrift (under installationsarbete)

Ifall varmvattendrift eller rumtemp.kontroll(VÄRME) krävs före anslutningen av utomhusenheten, t.ex. under installationsarbete, kan ett eltillskott i inomhusenheten (*1) användas.

*1 Modell med eltillskott endast.

1. För att starta driften

- Kolla om inomhusenhetens strömförsörjning är AV, och sätt PÅ Dip-växlare 4-4 och 4-5.
- Sätt PÅ inomhusenhetens strömförsörjning.

2. För att stoppa driften * 2

- Stäng AV inomhusenhetens strömförsörjning.
- Stäng AV Dip-växlare 4-4 och 4-5.

*2 När driften inomhusenhet enbart stoppats, se till att kolla igenom inställningarna efter att utomhusenheten anslutits.

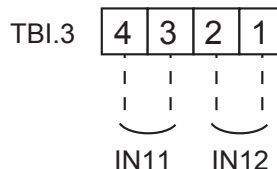
Observera:

Längre drifttid för denna typ av drift kan påverka eltillskottets livslängd.

5.5 Redo för smarta elnät

I varmvatten- eller värmedrift kan kommandona i tabellen nedan användas.

IN11	IN12	Betydelse
AV (öppen)	AV (öppen)	Normal drift
PÅ (kort)	AV (öppen)	Slå på-rekommendation
AV (öppen)	PÅ (kort)	Slå av-kommando
PÅ (kort)	PÅ (kort)	Slå på-kommando



5.6 Använda SD-minneskort

Cylindertanken är utrustad med ett SD-minneskortgränssnitt i FTC.

Användning av ett SD-minneskort kan förenkla huvudkontrollinställningar och lagra driftloggar. *1

*1 För att redigera inställningar för huvudkontrollen eller för att kontrollera driftdata krävs ett Ecodan-serviceverktyg (för användning med PC).

<Försiktighetsåtgärder vid hanteringen>

- (1) Använd ett SD-minneskort som uppfyller SD-standarderna. Kolla så att SD-minneskortet har en av de logotyper som visas till höger.
- (2) SD-minneskort som uppfyller SD-standarderna inkluderar SD-, SDHC-, mini SD-, micro SD-, och micro SDHC-minneskort. Kapaciteterna finns tillgängliga upp till 32 GB. Välj ett med en maximal tillåten temperatur på 55°C.
- (3) Om SD-minneskortet är ett mini SD-, mini SDHC-, micro SD-, eller micro SDHC-minneskort, använd en SD-minneskorts-konverteringsadapter.
- (4) Innan du lagrar på SD-minneskortet, frigör skrivskyddsväxlaren.



- (5) Innan du sätter i eller matar ut ett SD-minneskort, se till att stänga av systemet. Om ett SD-minneskort sätts i eller matas ut med systemet påsatt kan den lagrade datan förstöras eller SD-minneskortet skadas.
*Ett SD-minneskort är igång ett tag efter att systemet stängts av. Före insättning eller utmatning ska du vänta tills alla LED-lamporna på FTC-kontrollkortet är av.
- (6) Läs- och skrivfunktionerna har verifierats med följande SD-minneskort, men dessa funktioner är inte alltid garanterade eftersom specifikationerna för dessa SD-minneskort kan ändras.

Tillverkare	Modell	Testad i
Verbatim	#44015	Mar. 2012
SanDisk	SDSDB-002G-B35	Okt. 2011
Panasonic	RP-SDP04GE1K	Okt. 2011
Arvato	2GB PS8032 TSB 24nm MLC	Jun. 2012
Arvato	2GB PS8035 TSB A19nm MLC	Jul. 2014
SanDisk	SDSDUN-008G-G46	Okt. 2016
Verbatim	#43961	Okt. 2016
Verbatim	#44018	Okt. 2016
VANTASTEK	VSDHC08	Sep. 2017

Innan du använder ett nytt SD-minneskort (inklusive kortet som kommer med enheten) ska du alltid kontrollera att SD-minneskortet säkert kan läsas och skrivas på av FTC-kontrollen.

<Hur du kontrollerar läs- och skrivfunktioner>

- a) Kolla så ledningsdragningen för strömförsörjningen till systemet är korrekt. För mer detaljer, se avsnitt 4.5.
(Sätt inte på systemet under det här steget.)
- b) Sätt i ett SD-minneskort.
- c) Sätt på systemet.
- d) LED4-lampan tänds om läs- och skrivfunktionerna lyckas genomföras. Om LED4-lampan fortsätter blinka eller inte tänds kan inte SD-minneskortet läsas eller skrivas på av FTC-kontrollen.

- (7) Se till att följa instruktionerna och kraven från SD-minneskortets tillverkare.
- (8) Formatera SD-minneskortet om det bedöms som oläsbart i steg (6). Detta kan göra det läsbart.
Ladda ner en SD-kortformaterare från följande webbplats.
SD Associations hemsida: <https://www.sdcard.org/home/>
- (9) FTC stöder FAT-filsystem men inte NTFS-filsystem.
- (10) Mitsubishi Electric är inte ansvariga för några skador, helt eller delvis, inklusive skrivfel på ett SD-minneskort, och förstörda eller förlorade data bland den sparade datan, eller liknande. Säkerhetskopiera sparad data efter behov.
- (11) Rör inte några elektroniska delar på FTC-kontrollkortet när du sätter i eller matar ut ett SD-minneskort, då fel i så fall kan uppstå på kontrollkortet.

Logotyper		
Kapacitet		
2 GB till 32 GB *2		
SD-hastighetsklasser		
Alla		

- SD-logotypen är ett varumärke som tillhör SD-3C, LLC.
- Mini SD-logotypen är ett varumärke som tillhör SD-3C, LLC.
- Micro SD-logotypen är ett varumärke som tillhör SD-3C, LLC.

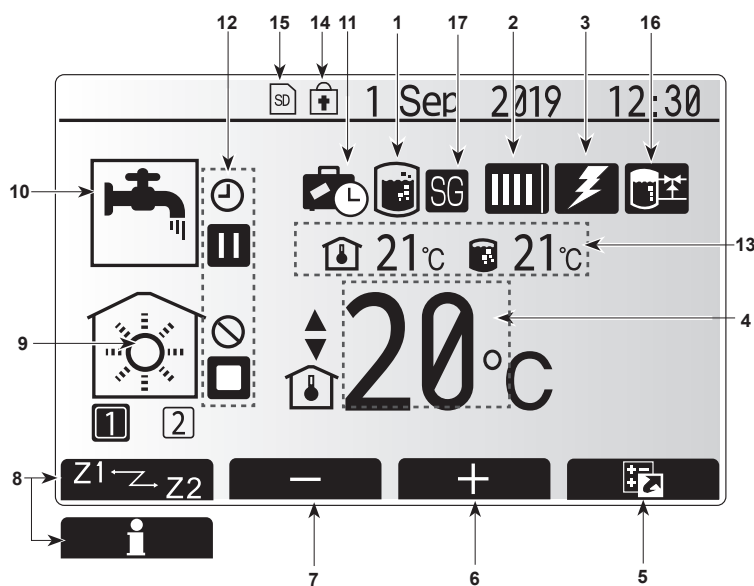
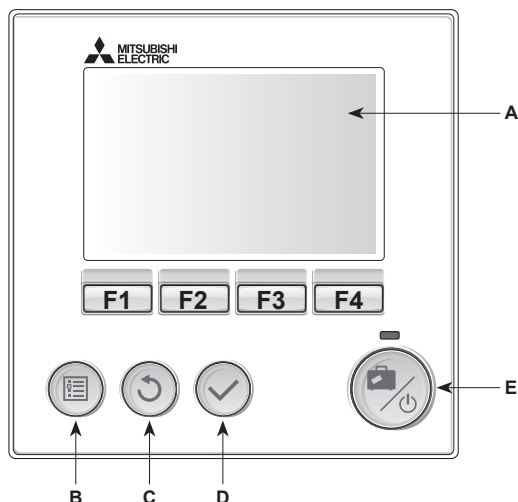
*2 Ett SD-minneskort på 2 GB lagrar upp till 30 dagars driftloggar.

5 Systeminställning

5.7 Huvudkontroll

För att ändra inställningarna i ditt värme-/kylsystem ska du använda huvudkontrollen som sitter på cylindertankens eller hydroboxens frontpanel. Följande är en guide om hur du kommer åt huvudinställningarna. Om du behöver ytterligare information ska du kontakta din installatör eller din lokala Mitsubishi Electric-återförsäljare.

Kylläge är endast tillgänglig hos ERS-serien. Dock är kylläge inte tillgängligt när inomhusenheten är ansluten till PUAZ-FRP.



Huvudskärm

<Huvudkontrollens delar>

Bokstav	Namn	Funktion
A	Skärm	Skärm där all information visas.
B	Meny	Åtkomst till systeminställningar för grundinställning och ändringar.
C	Tillbaka	Återgå till föregående meny.
D	Bekräfta	Används för att välja eller spara. (Enter-tangenten)
E	Ström/Semester	Om systemet är avstängt sätts det på med ett tryck. Om du trycker en gång till när systemet är på aktiveras Semester funktion. Håller du ner knappen i 3 sekunder stängs systemet av. (*1)
F1-4	Funktionstangenter	Används för att bläddra igenom menyer och ändra inställningar. Funktionen avgörs av den menyskärm som syns på skärm A.

*1

När systemet är avstängt eller strömförsörjningen är fränkopplad fungerar INTE cylindertankens skyddsfunktioner (t.ex. frysskyddsfunktionen). Observera att utan dessa säkerhetsfunktioner aktiverade kan cylindertanken eventuellt komma till skada.

<Huvudskärmens ikoner>

	Ikon	Beskrivning
1	Legionella-skydd	När denna ikon visas är "Legionellaskyddsläge" aktiverat.
2	Värmepump	"Värmepump" körs.
		Frostar av.
		Nödvärmning.
		"Tyst driftläge" är aktiverat.
3	Eltillskott	När denna ikon visas används "Eltillskott" (tillskottsvärmare eller doppvärmare).
4	Måltemp.	Målframledningstemperatur
		Målrumstemperatur
		Värmekurva
5	ALTERNATIV	Trycker du på funktionsknappen under denna ikon visas alternativskärmen.
6	+	Öka önskad temperatur.
7	-	Minska önskad temperatur.
8	Z1 Z2	Trycker du på funktionsknappen under denna ikon växlar du mellan Zon1 och Zon2.
		Information Trycker du på funktionsknappen under denna ikon visas informationsskärmen.
9	Rumsuppvärmnings-/rums kylningsläge	Värmeläge Zon1 eller Zon2
		Kylläge Zon1 eller Zon2
10	Varmvattenläge	Normalt eller ECO-läge
11	Semester funktion	När denna ikon visas är "Semester funktion" aktiverat.
12		Schema
		Förbjuda
		Serverkontroll
		Stand-by
		Stand-by (*2)
		Avbrott
		Arbetande
13	Nuvarande temperatur	Nuvarande rumstemperatur
		Nuvarande vattentemperatur i varmvattentanken
14		Menyknappen är låst eller funktionslägesväxlingen mellan varmvatten- och värmefunktionerna är inaktiverad på skärmen Alternativ. (*3)
15		SD-minneskort är isatt. Normal drift.
		SD-minneskort är isatt. Felaktig drift.
16	Bufferttankkontroll	När denna ikon visas är "Bufferttankkontroll" aktiverad.
17	Redo för smarta elnät	När denna ikon visas är "Redo för smarta elnät" aktiverad.

*2 Denna enhet är i stand-by medan annan/(andra) inomhusenhet(er) är i drift som prioritet.

*3 För att låsa eller låsa upp meny, tryck ner tangenterna TILLBAKA och BEKRÄFTA samtidigt i 3 sekunder.

SV

5 Systeminställning

■ [Grundinställningar guide]

När huvudkontrollen startas första gången går skärmen automatiskt till Språkinställning, sedan till inställningsskärmen Datum/tid och därefter till menyskärmen Huvudinställningar. Ange det önskade numret med hjälp av funktionsknapparna och tryck på BEKRÄFTA.

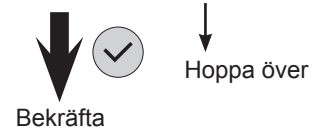
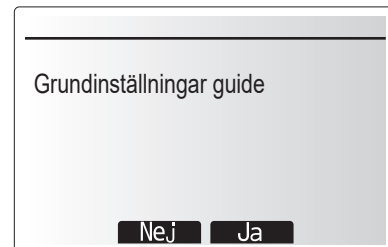
Observera:

<[TILLSKOTTSBEGRÄNSNING]>

Denna inställning begränsar tillskottsvärmarens kapacitet. Det är INTE möjligt att ändra inställningen efter uppstart.

Om det inte finns några särskilda krav (t.ex. byggregelverk) i ditt land ska du hoppa över denna inställning (välj "Nej").

- [Varmvatten (hushållsvarmvatten/legionella)]
- [Värme]
- [Drift (PÅ/Förbjudet/Schema)]
- [Pump hastighet]
- [Flödesområde]
- [Blandningsventilkontrol]
- [TILLSKOTTSBEGRÄNSNING]



sv

■ Meny för huvudinställningar

Tryck på MENY-knappen för att komma till menyn för huvudinställningar. För att minska risken att okvalificerade slutanvändare råkar ändra inställningarna av misstag finns det två åtkomstnivåer till huvudinställningarna; och servicemenyn är dessutom lösenordsskyddad.

Användarnivå – Kort tryck

Om du trycker på MENY-knappen en gång snabbt visas huvudinställningarna, men utan redigeringsfunktion. Detta för att användaren ska kunna se de aktuella inställningarna men INTE kunna ändra dem.

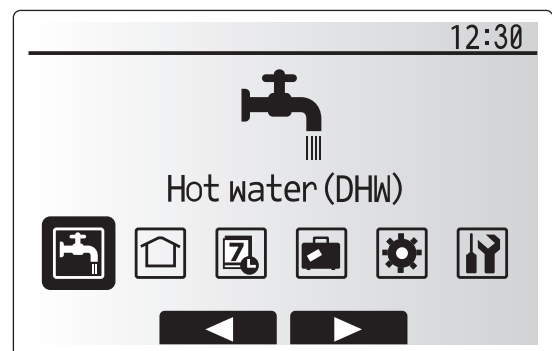
Installatörsnivå – Långt tryck

Om du håller nere MENY-knappen under 3 sekunder visas huvudinställningarna med alla funktioner tillgängliga.

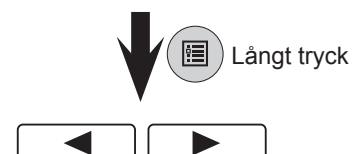
Färgen på knapparna ◀▶ är inverterade som i bilden till höger.<Bild 5.7.1>

Följande poster kan visas och/eller redigeras (beroende på åtkomstnivå).

- [Varmvatten]
- [Värme/Kyla]
- [Timerfunktion]
- [Semester funktion]
- [Grundinställningar]
- [Service (Lösenord)]



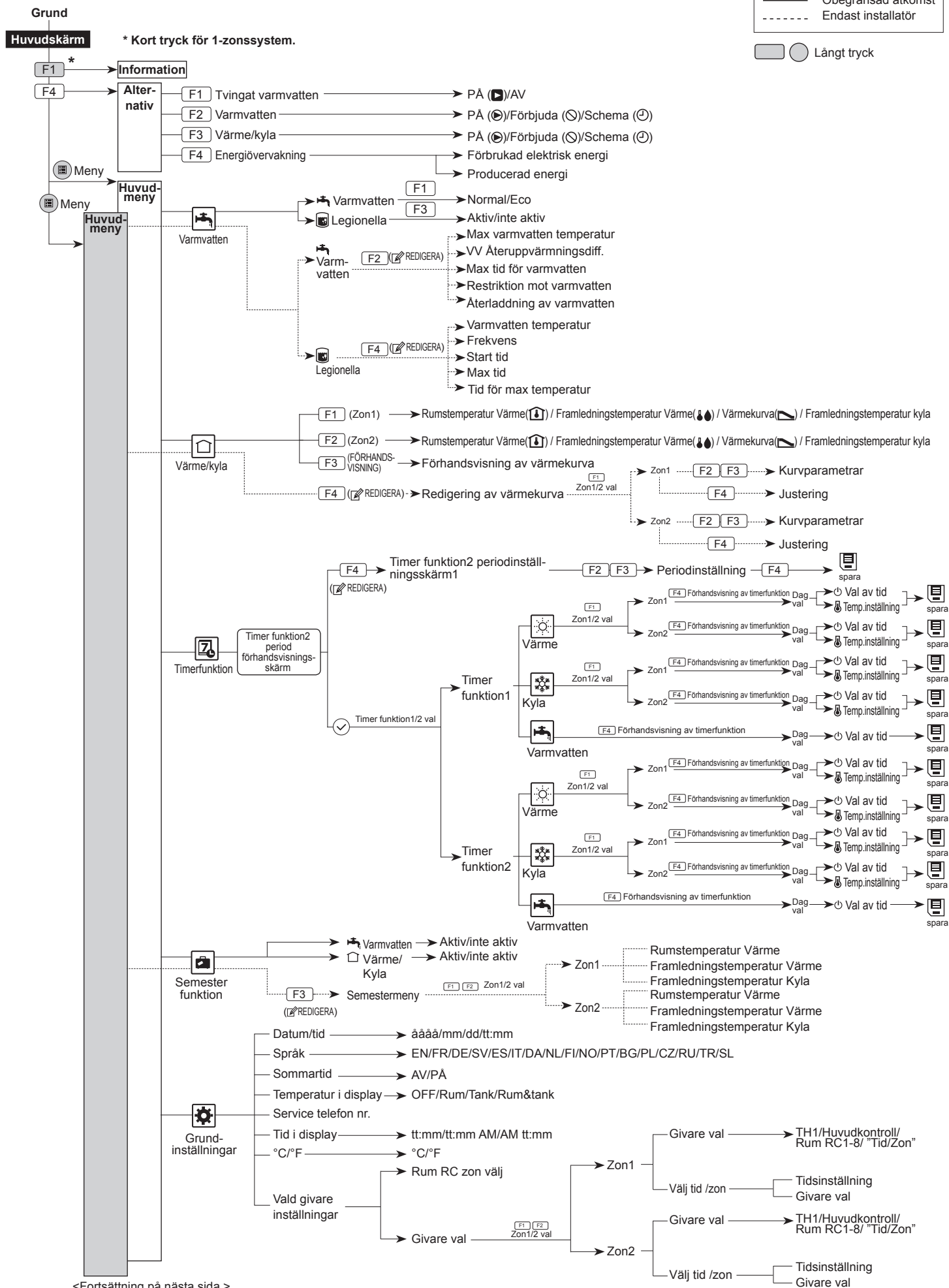
Huvudmeny



<Bild 5.7.1>

5 Systeminställning

<Menyträd för huvudkontrollen>

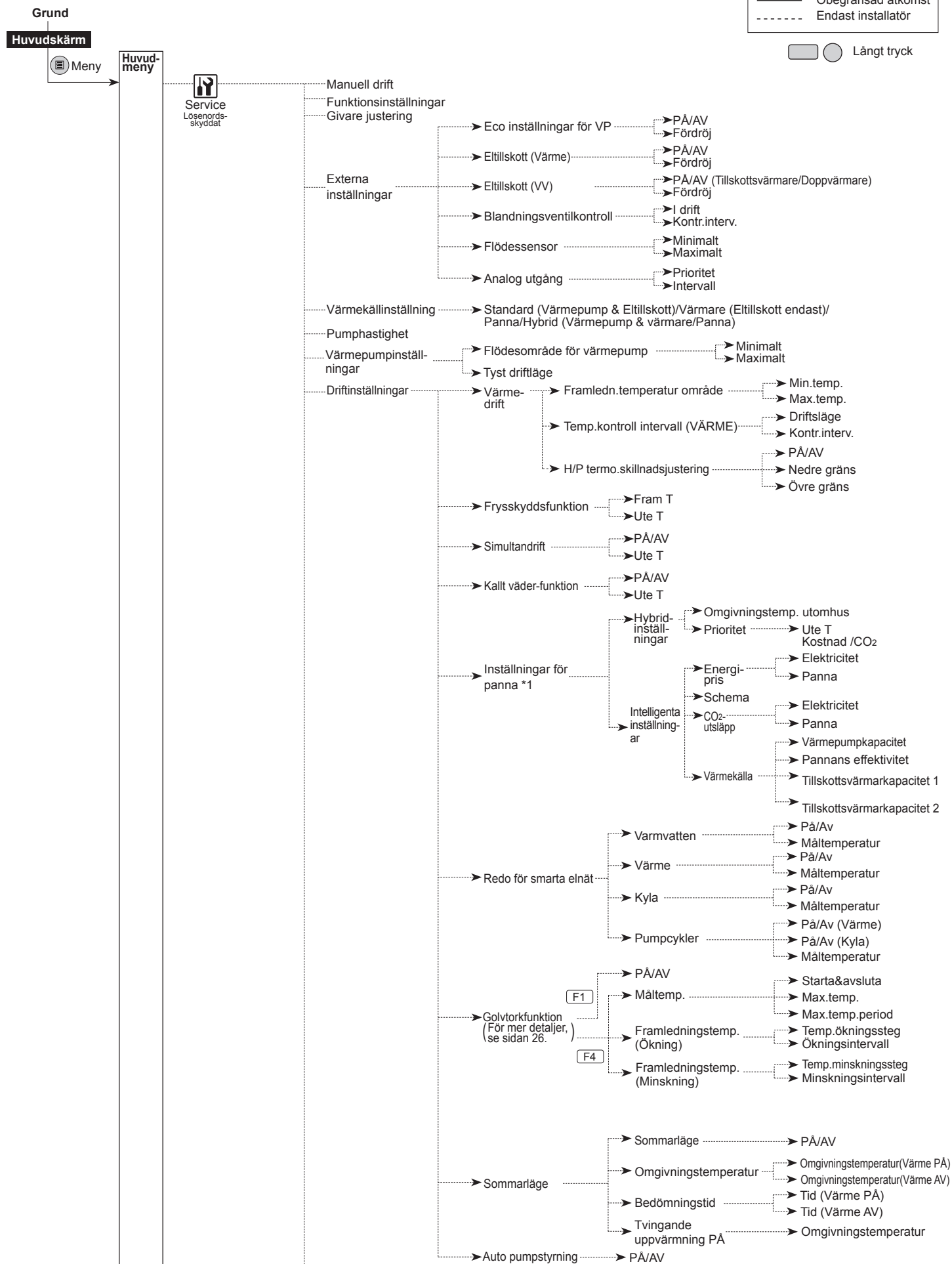


<Fortsättning på nästa sida.>

5 Systeminställning

<Fortsättning från föregående sida.>

<Menyträd för huvudkontrollen>



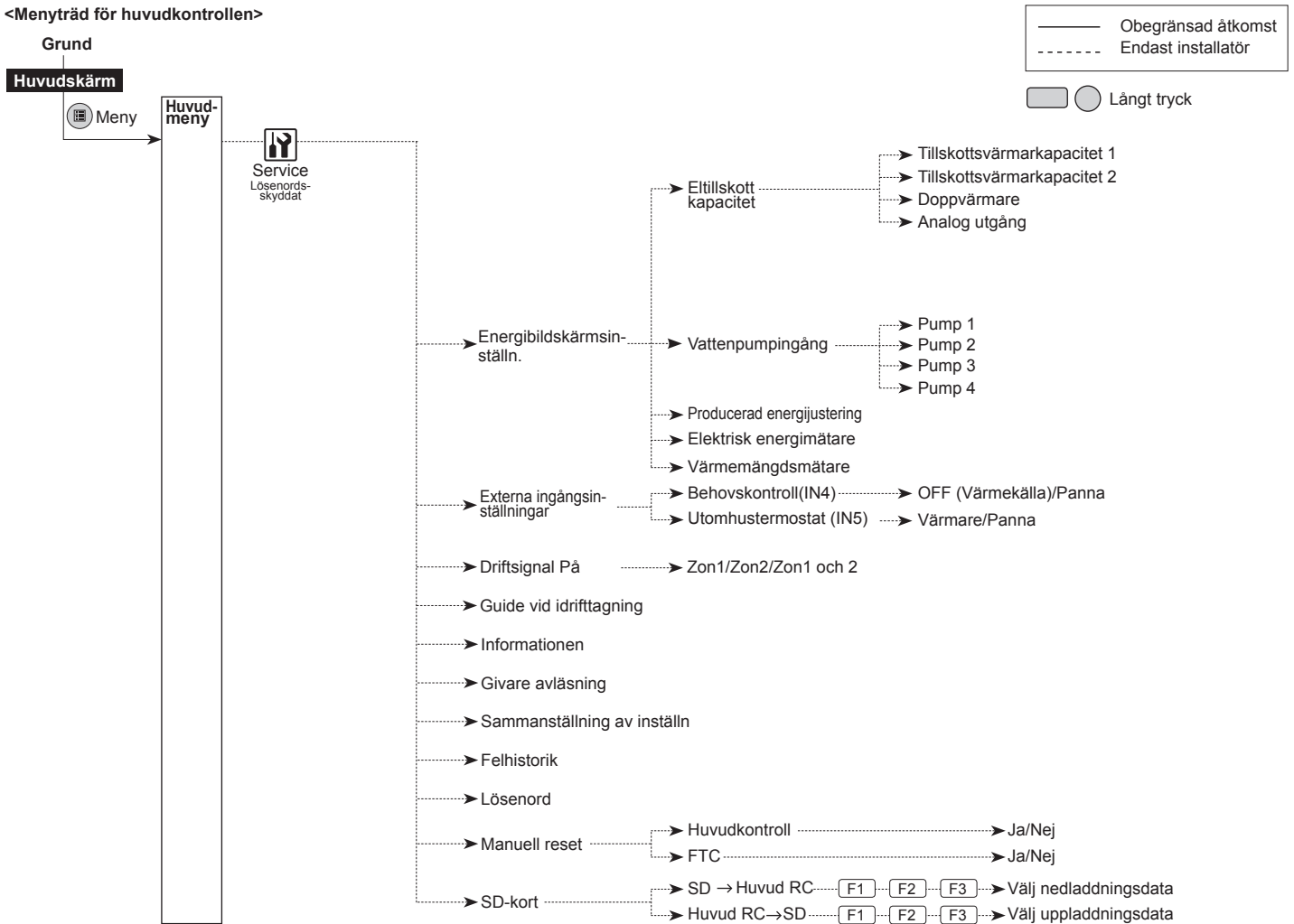
<Fortsättning på nästa sida.>

*1 För mer detaljer, se installationsmanualen för PAC-TH012HT(L)-E.

5 Systeminställning

<Fortsättning från föregående sida.>

<Menyträd för huvudkontrollen>



Varmvatten/legionellskydd

Menyerna för varmvatten och legionellskydd styr uppvärmningen av varmvattentanken.

<Varmvattenlägesinställningar>

1. Markera ikonen för varmvatten och tryck på BEKRÄFTA.
2. Använd knappen F1 för att gå mellan värmelägena Normal och ECO.
3. För att redigera läget, tryck ner MENY-knappen i 3 sekunder, och välj sedan "varmvatten".
4. Tryck på F2-tangenten för att visa meny Varmvatteninställningar.
5. Använd knapparna F2 och F3 för att bläddra igenom meny och välja en komponent i taget genom att trycka på BEKRÄFTA. Se tabellen nedan för beskrivning av varje inställning.
6. Ange det önskade numret med hjälp av funktionsknapparna och tryck på BEKRÄFTA.



Menytext	Funktion	Område	Enhet	Standardvärde
Max. varmvatten temperatur	Önskad temperatur på lagrat varmvatten	40 - 60	°C	50
VV Återuppvärmningsdiff.	Skillnad i temperatur mellan varmvattnets maxtemperatur och den temperatur som varmvattenläget återstartar i	5 - 30 *	°C	10
Max. tid för varmvatten	Maximal tid som lagrat vatten uppvärms i varmvattenläge	30 - 120	min	60
Restriktion mot varmvatten	Tidsperioden efter varmvattenläge, när rumsuppvärmning har prioritet över varmvattenläget vilket temporärt hindrar ytterligare uppvärmning av lagrat vatten (Endast efter överskriden maxdriftid för varmvatten.)	30 - 120	min	30

* När max. varmvattentemperatur är inställd till över 55°C måste temperaturläget för varmvattenomstart vara lägre än 50°C för att skydda enheten.

<Eco-läge>

Varmvattenläget kan drivas i antingen läget "Normal" eller "Eco". I läget Normal värms vattnet i varmvattentanken snabbare med full effekt på värmepumpen. I läget Eco tar det lite längre tid att värma vattnet i varmvattentanken men den använda energin minskar. Detta beror på att värmepumpdriften är begränsad till användning av signaler från FTC baserat på uppmätt varmvattentanktemperatur.

Observera: Den faktiska energimängden som sparas i läget Eco varierar beroende på utomhusomgivningens temperatur.

<[Återladdning av varmvatten]>

Välj mängden varmvatten. Om du behöver mycket varmvatten ska du välja STOR, men ökar de löpande kostnaderna.

Återgå till meny för varmvatten/legionellskydd.

5 Systeminställning

Inställningar för läget Legionellaskydd (LS-läge)

1. Använd knappen F3 för att välja JA/NEJ för aktivering av legionellaläget.
2. För att redigera legionellafunktionen, tryck ner MENY-knappen i 3 sekunder och välj "varmvatten", och tryck sedan på F4-tangenten.
3. Använd knapparna F1 och F2 för att bläddra igenom menyerna och välj en undertitel i taget genom att trycka på BEKRÄFTA. Se tabellen nedan för beskrivning av varje inställning.
4. Ange det önskade numret med hjälp av funktionsknapparna och tryck på BEKRÄFTA.

I legionellaskyddsläget ökas det lagrade vattnets temperatur till över 60°C för att förhindra tillväxt av legionellabakterier. Vi rekommenderar starkt att detta utförs med jämna intervall. Se lokala föreskrifter för rekommenderade perioder mellan uppvärmningar.

Observera: När fel uppstår på hydroboxen kanske inte LP-läget fungerar normalt.

Observera att LS-läget använder elektriska värmare (om sådana finns) för att komplettera värmepumpens ingående energi. Att värma vatten under långa tidsperioder är inte effektivt och ökar de löpande kostnaderna. Installatören ska vara uppmärksam på nödvändigheten av legionellaskydd och samtidigt undvika att slösa energi genom att värma upp det lagrade vattnet under överdrivet lång tid. Slut användaren bör vara införstådd med vikten av denna funktion.

SE ALLTID TILL ATT UPPFYLLA LOKALA OCH NATIONELLA RIKTLINJER NÄR DET GÄLLER LEGIONELLASKYDD.

Menytext	Funktion	Område	Enhet	Standardvärde
Varmvatten temperatur	Önskad temperatur på lagrat varmvatten	60 - 70	°C	65
Frekvens	Tid mellan uppvärmningar av varmvattentanken i legionellaskyddsläge	1 - 30	dag	15
Start tid	Tid när legionellaskyddsläget startar	0:00 - 23:00	-	03:00
Max. tid	Maximal tillåten tid för uppvärmningar av varmvattentanken i legionellaskyddsläge	1 - 5	timme	3
Tid för max. temperatur	Tidsperioden efter att önskad vattentemperatur har nåtts i LP-läget	1 - 120	min	30

[Grundinställningar]

Från meny Grundinställningar kan installatören ställa in följande.

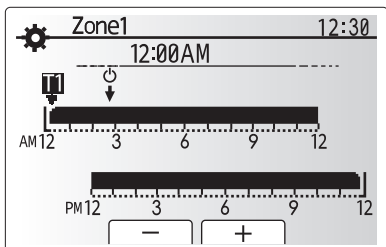
- [Datum/tid] *Var noga med att ställa in lokal standardtid.
- [Språk]
- [Sommartid]
- [Temperatur i display]
- [Service telefon nr.]
- [Tid i display]
- [°C/°F]
- [Vald givare inställningar]

Följ proceduren som beskrivs i Allmän drift för inställningen.

<[Vald givare inställningar]>

För Vald givare inställningar är det viktigt att välja rätt rumsensor beroende på vilket värmeläge som systemet kommer att drivas i.

Menytext	Beskrivning																					
Rum RC zon välj	Om 2-zonstemperaturkontroll är aktiv och trådlösa fjärrkontroller är tillgängliga väljer du zonnr. att tilldela till varje fjärrkontroll från skärmen Rum RC zon välj.																					
Givare val	Från skärmen givare val väljer du en rumsensor som ska användas för övervakning av rumstemperaturen från Zon1 och Zon2 separat. <table border="1" data-bbox="965 1041 1484 1310"> <thead> <tr> <th>Kontrollalternativ (Bruksanvisningen på vår webbplats)</th> <th colspan="2">Motsvarande grundinställnings-rumsensor</th> </tr> <tr> <td></td> <th>Zon1</th> <th>Zon2</th> </tr> </thead> <tbody> <tr> <td>A</td> <td>Rum RC 1-8 (en var för Zon1 och Zon2)</td> <td>*1</td> </tr> <tr> <td>B</td> <td>TH1</td> <td>*1</td> </tr> <tr> <td>C</td> <td>Huvudkontroll</td> <td>*1</td> </tr> <tr> <td>D</td> <td>*1</td> <td>*1</td> </tr> <tr> <td>Om olika rumsensorer används enligt tids-schemat</td> <td>Tid/ Zon*2</td> <td>*1</td> </tr> </tbody> </table>	Kontrollalternativ (Bruksanvisningen på vår webbplats)	Motsvarande grundinställnings-rumsensor			Zon1	Zon2	A	Rum RC 1-8 (en var för Zon1 och Zon2)	*1	B	TH1	*1	C	Huvudkontroll	*1	D	*1	*1	Om olika rumsensorer används enligt tids-schemat	Tid/ Zon*2	*1
Kontrollalternativ (Bruksanvisningen på vår webbplats)	Motsvarande grundinställnings-rumsensor																					
	Zon1	Zon2																				
A	Rum RC 1-8 (en var för Zon1 och Zon2)	*1																				
B	TH1	*1																				
C	Huvudkontroll	*1																				
D	*1	*1																				
Om olika rumsensorer används enligt tids-schemat	Tid/ Zon*2	*1																				
	*1. Ej specificerat (om en lokalt anskaffad rumstermostat används) Rum RC 1-8 (en var för Zon1 och Zon2) (om en trådlös fjärrkontroll används som en rumstermostat)																					
	*2. Från skärmen givare val väljer du Tid/Zon för att göra det möjligt att använda olika rumsensorer enligt det inställda tids-schemat i meny Välj tid/zon. Rumsensorerna kan växlas upp till 4 gånger under 24 timmar.																					



Schemainställningsskärm för Tid/Zon

[Servicemeny]

Servicemenyns funktioner kan användas av installatör och servicetekniker. Det är INTE tänkt att slutanvändare ska ändra inställningar i denna meny. Meny är av denna anledning lösenordsskyddad för att förhindra obehörig åtkomst till serviceinställningarna.

Det fabriksinställda lösenordet är "0000".

Följ proceduren som beskrivs i Allmän drift för inställningen.

Många funktioner kan inte ställas in när inomhusenheten är igång. Installatören ska stänga av enheten innan dessa funktioner kan ställas in. Om installatören försöker ändra inställningarna medan enheten är igång visas ett påminnelsemeddelande på huvudkontrollskärmen med en uppmaning om att stoppa driften före fortsatt inställning. Om du väljer "Ja" stoppas enhetens drift.

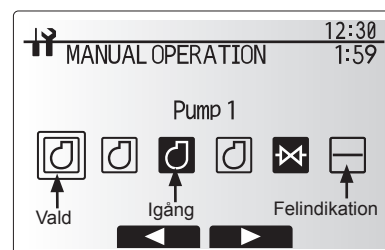
<[Manuell drift]>

När systemet fylls kan primärkretsens cirkulationspump och växelventil hanteras manuellt via läget för manuell drift.

När manuell drift har valts visas en liten schemaikon på skärmen. När den är vald kommer funktionen att förbli i manuell drift i maximalt 2 timmar. Detta för att förhindra oavsiktlig permanent manuell styrning av FTC.

► Exempel

Om du trycker knappen F3 slår du PÅ det manuella driftsläget för den huvudsakliga 3-vägsventilen. När varmvattentanken är fylld ska installatören gå tillbaka till denna meny och trycka på F3 för att inaktivera manuell drift av denna del. Alternativt kommer det manuella driftsläget att inaktiveras automatiskt efter 2 timmar och FTC återtar då kontrollen av cylindertanken.



Menyskärm för Manuell drift

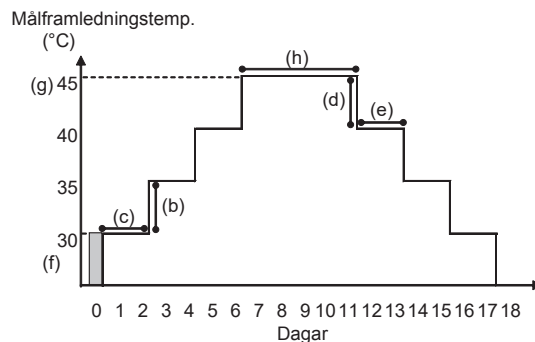
5 Systeminställning

Manuell drift och värmekällinställning kan inte väljas om systemet är igång. En skärm visas där installatören ombes att stoppa systemet innan dessa lägen kan aktiveras.
Systemet stoppas automatiskt 2 timmar efter senaste åtgärden.

<[Golvtrorkfunktion]>

Golvtrorkfunktionen ändrar automatiskt målvarmvattentemperaturen i steg för att gradvis torka betong när denna speciella typ av golvvärme är installerad.

Då driften är slutförd stoppar systemet all drift utom frysskyddsdriften. För Golvtrorkfunktion är målframledningstemperaturen för Zon1 samma som den för Zon2.



- Denna funktion är inte tillgänglig om en PUIH-Z-FRP-utomhusenhet är ansluten.
- Koppla ur kabelledningar till externa ingångar för rumstermostat, behovskontroll och utomhustermostat, då målframledningstemperaturen annars kanske inte kan bibehållas.

Funktioner	Symbol	Beskrivning	Alternativ/Område	Enhet	Standard	
Golvtrorkfunktion	a	Ställ in funktionen till PÅ och sätt på systemet med huvudkontrollen, och torkvärmefunktionen startar.	På/Av	—	Av	
Framledningstemp. (ökning)	Framledningstemp. ökningssteg	b	Ställer in ökningssteget för målframledningstemperaturen.	+1 - +10	°C	+5
	Ökningsintervall	c	Ställer in perioden som samma målframledningstemperatur bibehålls under.	1 - 7	dag	2
Framledningstemp. (minskning)	Framledningstemp. minskningssteg	d	Ställer in minskningssteget för målframledningstemperaturen.	-1 - -10	°C	-5
	Minskingsintervall	e	Ställer in perioden som samma målframledningstemperatur bibehålls under.	1 - 7	dag	2
Måltemp.	Starta&avsluta	f	Ställer in målframledningstemperaturen vid start och slut för driften.	20 - 60	°C	30
	Max. måltemp.	g	Ställer in maximal målframledningstemperatur.	20 - 60	°C	45
	Max.temp.period	h	Ställer in perioden som maximal målframledningstemperatur bibehålls under.	1 - 20	dag	5

<[Lösenord]>

Lösenord kan användas för att förhindra att okvalificerade personer får åtkomst till servicemenyn.

Återställa lösenordet

Om du har glömt lösenordet du angett eller om du ska utföra service på en enhet som någon annan har installerat, kan du återställa lösenordet till fabriksstandard **0000**.

1. Bläddra genom huvudinställningsmenyns funktioner tills servicemenyn markeras.
2. Tryck på BEKRÄFTA.
3. Du uppmanas nu att ange ett lösenord.
4. Håll nere knapparna F3 och F4 samtidigt i 3 sekunder
5. Du får frågan om du vill fortsätta och återställa lösenordet till standardinställningen.
6. Tryck på knappen F3 för att återställa.
7. Lösenordet är nu återställt till **0000**.

<[Manuell reset]>

Om du någon gång vill återställa till fabriksinställningarna använder du funktionen manuell reset. Observera att detta återställer ALLA funktioner till fabriksinställningarna.



Skärmen Tryck in Lösenord



Skärm för lösenordsbekräftelse

6 Igångkörning

■ Förfaranden före igångkörning- dricksvatten-/varmvattenkrets

Första fyllningsprocedur:

Se till så att alla ledningsfogar och monteringar sitter tätt och säkert.

Öppna den mest avlägsna varmvattenkranen-/utloppet.

Öppna långsamt/gradvis huvudvattentillförseln för att börja fylla enheten och varmvattenledningarna.

Låt den mest avlägsna kranen vara fritt öppen och släpp ut/remsa ut kvarvarande luft från installationen.

Stäng kranen/utloppet för att bibehålla ett helt påfyllt system.

Observera: Om en doppvärmare är monterad ska du INTE förse värmaren med el förrän varmvattentanken är full med vatten. Förse heller INTE eventuell doppvärmare med el om några kemiska steriliseringsämnen finns kvar i varmvattentanken eftersom det orsakar fel i förtid på värmaren.

Första spolningsprocedur:

Förse systemet med el för att värma upp cylindertankens innehåll till en temperatur på ca 30 - 40°C.

Spola/dränera vatteninnehållet för att avlägsna eventuella rester/orenheter som kommit av installationsarbetet. Använd cylindertankens dräneringskran för att säkert tappa ur det värmda vattnet för dränering via en lämplig slang.

Då det är slutfört stänger du kranen, fyller på systemet och återupptar igångkörningen av systemet.

7 Service och underhåll

Felkoder

Kod	Fel	Åtgärd
L3	Överhettningsskydd för cirkulationsvattentemperatur	Flödet kan ha minskat. Kolla efter: <ul style="list-style-type: none"> • Vattenläckage • Blockerat filter • Vattencirkulationspumpfunktion (Felkod visas eventuellt under det att primärkretsen fylls, så fyll klart och återställ felkoden.)
L4	Överhettningsskydd för varmvattentankens temperatur	Kontrollera doppvärmaren och dess kontakter.
L5	Fel på inomhusenhets-temperaturtermistor (THW1, THW2, THW5A, THW5B, THW6, THW7, THW8, THW9)	Kontrollera resistansen över termistorn.
L6	Frys-skydd för cirkulationsvatten	Se åtgärd för L3.
L8	Värmedröjfel	Kontrollera och fäst alla givare som kan ha lossnat.
L9	Lågt primärkretsflöde avkänt vid flödessensor eller flödesvakt (flödesvakter 1, 2, 3)	Se åtgärd för L3. Byt ut flödessensorn eller flödesvakten om den är trasig. Försiktighet: Pumpventilerna kan vara varma, var försiktig.
LA	Trycksensorfel	Kontrollera trycksensorkabeln efter skador och lösa anslutningar.
LB	Högtrycksskydd	<ul style="list-style-type: none"> • Flödes hastigheten i värmekretsen kan reduceras. Kontrollera vattenkretsen. • Plattvärmväxlaren kan vara igensatt. Kontrollera plattvärmväxlaren. • Fel på utomhusenhet. Se utomhusenhetens servicehandbok.
LC	Överhettningsskydd för pannans cirkulationsvattentemperatur	Kolla om inställningstemperaturen för pannan för värme överstiger restriktionen. (Se manualen för termistorena "PAC-TH012HT-E") Värmekretsens flöde från pannan kan ha minskat. Kolla efter <ul style="list-style-type: none"> • vattenläckage, • blockerat filter • vattencirkulationspumpfunktion.
LD	Fel på pannans temperaturtermistor (THWB1)	Kontrollera resistansen över termistorn.
LE	Pannedröjfel	Se åtgärd för L8. Kontrollera pannans status.
LF	Flödessensorfel	Kontrollera flödessensorns kabel efter skador och lösa anslutningar.
LH	Frys-skydd för pannans cirkulationsvatten	Värmekretsens flöde från pannan kan ha minskat. Kolla efter <ul style="list-style-type: none"> • vattenläckage • blockerat filter • vattencirkulationspumpfunktion.
LJ	Varmvattendröjfel (typ av extern platta HEX)	<ul style="list-style-type: none"> • Kontrollera om den nedre temperaturgivaren för varmvattentanken (THW5B) är urkopplad. • Sanitärkretsens flöde kan reduceras. • Kontrollera vattencirkulationspumpens funktion. (primär/sanitär)
LL	Inställningsfel för dip-växlarna på FTC-kontrollkortet	För pannedröj, kontrollera så att Dip SW1-1 är inställd till PÅ (Med panna) och Dip SW2-6 är inställd till PÅ (Med mixtank). För 2-zonstemperaturkontroll, kontrollera så att Dip SW2-7 är inställd till PÅ (2-zon) och Dip SW2-6 är inställd till PÅ (Med mixtank).
LP	Utanför flödes hastighetsområde för utomhusvärmepump	Kontrollera installationen i tabell 4.3.1 Kontrollera fjärrkontrollinställningar (servicemeny/flödesområde för värmepump) Se åtgärd för L3.
P1	Fel på termistor (Rumstemp.) (TH1)	Kontrollera resistansen över termistorn.
P2	Fel på termistor (Köldmedievätsketemp.) (TH2)	Kontrollera resistansen över termistorn.
P6	Antifrys-skydd för plattvärmväxlare	Se åtgärd för L3. Kontrollera så det är korrekt mängd köldmedium.
J0	Kommunikationsfel mellan FTC och trådlös mottagare	Kontrollera anslutningskabeln efter skador och lösa anslutningar.
J1 - J8	Kommunikationsfel mellan trådlös mottagare och trådlös fjärrkontroll	Kontrollera så att den trådlösa fjärrkontrollens batteri inte är slut. Kontrollera parningen mellan trådlös mottagare och trådlös fjärrkontroll. Testa den trådlösa kommunikationen. (Se manualen för det trådlösa systemet)
E0 - E5	Kommunikationsfel mellan huvudkontrollen och FTC	Kontrollera anslutningskabeln efter skador och lösa anslutningar.
E6 - EF	Kommunikationsfel mellan FTC och utomhusenheten	Kontrollera att utomhusenheten inte är avstängd. Kontrollera anslutningskabeln efter skador och lösa anslutningar. Se utomhusenhetens servicehandbok.
E9	Utomhusenheten får ingen signal från inomhusenheten.	Kontrollera att båda enheterna är på. Kontrollera anslutningskabeln efter skador och lösa anslutningar. Se utomhusenhetens servicehandbok.
EE	Kombinationsfel mellan FTC och utomhusenhet	Kontrollera kombinationen mellan FTC och utomhusenhet.
U*, F*	Fel på utomhusenheten	Se utomhusenhetens servicehandbok.
A*	M-NET-kommunikationsfel	Se utomhusenhetens servicehandbok.

Obs! Stäng av systemet för att ta bort felkoder (tryck ner knappen F4 (RESET) på huvudkontrollen).

7 Service och underhåll

■ Årligt underhåll

Det är viktigt att en kvalificerad person utför service av cylindertanken årligen. Alla delar som behövs ska inhandlas från Mitsubishi Electric. Se till att ALDRIG förbikoppla säkerhetsanordningar eller använda enheten om de inte är fullt funktionsdugliga. Se servicehandboken för mer information.

Obs!

- **Kontrollera och vid behov rensa filtret på vattensystemet inne i maskinen med korta intervall den första tiden efter uppstart. Detta är extra viktigt då installationen görs på ett befintligt radiatorsystem.**
- **Trycksäkerhetsventilen och T&P-ventilen (nr 8, 20 och 21 i bild 3.1) ska kontrolleras årligen genom att manuellt vrida ratten för att tömma vätskan så att tätningssätet rengörs.**

Utöver årlig service är det nödvändigt att byta ut eller undersöka vissa delar efter en viss period av systemdrift. Se tabellerna nedan för detaljerade instruktioner. Utbyte och undersökning av delar ska alltid utföras av en behörig person med rätt utbildning och kompetens.

Delar som måste bytas ut med jämna mellanrum

Delar	Byt ut efter	Möjliga fel
Trycksäkerhetsventil (TSV) Manometer Inloppskontrollgrupp (ICG)*	6 år	Vattenläcka

* TILLVALSDELAR för Storbritannien

Delar som måste undersökas med jämna mellanrum

Delar	Kontrollera efter	Möjliga fel
Trycksäkerhetsventil (3 bar) Temperatur- och trycksäkerhetsventil	1 år (vrida ratten manuellt)	Trycksäkerhetsventilen är fast och expansionskärlet spricker
Doppvärmare	2 år	Jordfel får kretsbrytaren att aktiveras (värmaren är alltid AV)
Vattencirkulationspump (Primärkrets)	20 000 timmar (3 år)	Vattencirkulationspumpfel

Delar som INTE får återanvändas efter service

- * O-ring
- * Packning

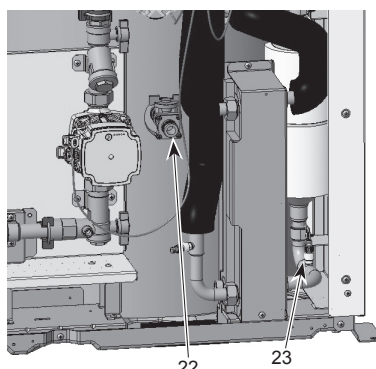
Observera

- **Byt alltid ut packningen för pumpen mot en ny varje gång det regelbundna underhållet utförs (efter 20 000 timmars användning eller efter varje 3-årsperiod).**

<Dränera cylindertanken och dess sanitära värmekrets (lokal)>

VARNING! DRÄNERINGSVATTNET KAN VARA MYCKET VARMT

1. Innan du försöker dränera cylindertanken ska den isoleras från elförsörjningen för att förhindra att doppvärmare och tillskottsvärmare bränns ut.
2. Isolera tillförseln av kallvatten till varmvattentanken.
3. Öppna en varmvattenkran för att dränera utan att skapa vakuum.
4. Fäst en slang till varmvattentankens dräneringskran (nr 22 och 23 i bild 7.1). Slangen ska vara värmebeständig eftersom dräneringsvattnet kan vara väldigt varmt. Slangen ska dränera till en plats som är lägre än varmvattentankens botten för att skapa en hävteffekt. Börja dränera genom att öppna dräneringskranen.
5. När varmvattentanken har dränerats ska du stänga dräneringskranen och varmvattenkranen.
6. För primärkretsen ska du fästa en slang till vattenkretsens dräneringskran (nr 6 i bild 3.1). Slangen ska vara värmebeständig eftersom dräneringsvattnet kan vara väldigt varmt. Slangen ska dränera till en plats som är lägre än dräneringskranen för att skapa en hävteffekt. Öppna pumpventilerna och filterventilerna.
7. Det är fortfarande vatten kvar i filtret efter att cylindertanken har dränerats. Dränera filtret genom att avlägsna filterhöljet.



<Bild 7.1>

7 Service och underhåll

Teknikerformulär

Om inställningar ändras från standardinställningarna ska de nya inställningarna anges och registreras i kolumnen "Lokal inställning". Detta gör framtida återställning lättare om systemets användningsområde förändras eller kretskortet behöver bytas ut.

Protokoll för idrifttagning/lokala inställningar

Huvudkontrollskärm		Parametrar	Standardinställning	Lokal inställning	Anmärkningar	
Huvudskärm		Zon1 rumstemperatur värme	10°C - 30°C	20°C		
		Zon2 rumstemperatur värme *12	10°C - 30°C	20°C		
		Zon1 framledningstemperatur värme	20°C - 60°C	45°C		
		Zon2 framledningstemperatur värme *1	20°C - 60°C	35°C		
		Zon1 framledningstemperatur kyla *13	5°C - 25°C	15°C		
		Zon2 framledningstemperatur kyla *13	5°C - 25°C	20°C		
		Zon1 värmekurva	-9°C - +9°C	0°C		
		Zon2 värmekurva *1	-9°C - +9°C	0°C		
Alternativ		Semesterfunktion	Aktiv/Inte aktiv/Inställd tid	—		
		Tvingad varmvattendrift	På/Av	—		
		Varmvatten	På/Av/Schema	På		
		Värme/Kyla *13	På/Av/Schema	På		
Inställning		Energiövervakning	Förbrukad elektrisk energi/Producerad energi	—		
		Varmvatten	Driftläge	Normal/Eco *15	Normal	
			Max. varmvattentemperatur	40°C - 60°C *2	50°C	
			VV temperaturfall	5°C - 30°C	10°C	
			Max. tid för varmvatten	30 - 120 min	60 min	
			Restriktion mot varmvatten	30 - 120 min	30 min	
			Återladdning av varmvatten	Stor/Standard	Standard	
			Legionellskydd	Aktiv	Ja/Nej	Ja
		Värme/Kyla *13	Varmvattentemperatur	60°C - 70°C *2	65°C	
			Frekvens	1 - 30 dagar	15 dagar	
			Starttid	00:00 - 23:00	03:00	
			Max. drifttid	1 - 5 timmar	3 timmar	
			Tid för max. temperatur	1 - 120 min	30 min	
Värmekurva	Inställningspunkt för hög framledningstemperatur	Zon1 driftläge	Rumstemperatur värme/ Framledningstemperatur värme/ Värmekurva/Framledningstemperatur kyla	Rumstemperatur		
		Zon2 driftläge *1	Rumstemperatur värme/ Framledningstemperatur värme/ Värmekurva/Framledningstemperatur kyla	Värmekurva		
	Inställningspunkt för låg framledningstemperatur	Zon1 omgivningstemp. utomhus	-30°C - +33°C *3	-15°C		
		Zon1 framledningstemperatur	20°C - 60°C	50°C		
		Zon2 omgivningstemp. utomhus *1	-30°C - +33°C *3	-15°C		
		Zon2 framledningstemperatur *1	20°C - 60°C	40°C		
	Justera	Zon1 omgivningstemp. utomhus	-28°C - +35°C *4	35°C		
		Zon1 framledningstemperatur	20°C - 60°C	25°C		
		Zon2 omgivningstemp. utomhus *1	-28°C - +35°C *4	35°C		
		Zon2 framledningstemperatur *1	20°C - 60°C	25°C		
Semester		Zon1 omgivningstemp. utomhus	-29°C - +34°C *5	—		
		Zon1 framledningstemperatur	20°C - 60°C	—		
		Zon2 omgivningstemp. utomhus *1	-29°C - +34°C *5	—		
		Zon2 framledningstemperatur *1	20°C - 60°C	—		
		Varmvatten	Aktiv/Inte aktiv	Inte aktiv		
		Värme/Kyla *13	Aktiv/Inte aktiv	Aktiv		
		Zon1 rumstemperatur värme	10°C - 30°C	15°C		
		Zon2 rumstemperatur värme *12	10°C - 30°C	15°C		
Grundinställningar		Zon1 framledningstemperatur värme	20°C - 60°C	35°C		
		Zon2 framledningstemperatur värme *1	20°C - 60°C	25°C		
		Zon1 framledningstemperatur kyla *13	5°C - 25°C	25°C		
		Zon2 framledningstemperatur kyla *13	5°C - 25°C	25°C		
		Språk	EN/FR/DE/SV/ES/IT/DA/NL/FI/NO/PT/BG/PL/CZ/RU/TR/SL	EN		
		°C/°F	°C/°F	°C		
		Sommartid	På/Av	Av		
		Temperatur i display	Rum/Varmvattentank/Rum och varmvattentank/Av	Av		
		Tid i display	tt:mm/tt:mm AM/AM tt:mm	tt:mm		
		Vald givare inställningar för Zon1	TH1/Reglering/Rum RC1-8/Tid/Zon"	TH1		
Vald givare inställningar för Zon2 *1	TH1/Reglering/Rum RC1-8/Tid/Zon"	TH1				
Rum RC zon välj *1	Zon1/Zon2	Zon1				
Servicemeny		Givarjustering	THW1	-10°C - +10°C	0°C	
			THW2	-10°C - +10°C	0°C	
			THW5A	-10°C - +10°C	0°C	
			THW5B	-10°C - +10°C	0°C	
			THW6	-10°C - +10°C	0°C	
			THW7	-10°C - +10°C	0°C	
			THW8	-10°C - +10°C	0°C	
			THW9	-10°C - +10°C	0°C	
			THW10	-10°C - +10°C	0°C	
			THWB1	-10°C - +10°C	0°C	
			Externa inställningar	Eco inställningar för VP.	På/Av *6	På
		Fördröjning (3 - 60 min)			10 min	
		Elektrisk värmare (Värme)		Rumsuppvärmning: På (används)/Av (används inte)	På	
		Elektrisk värmare (Varmvatten)		Elektrisk värmare, fördröjningsschema (5 - 180 min)	30 min	
		Tillskottsvärmare		Varmvatten: På (används)/Av (används inte)	På	
		Doppvärmare		Varmvatten: På (används)/Av (används inte)	På	
		Elektrisk värmare, fördröjningsschema (15 - 30 min)			15 min	
		Blandningsventilkontroll		Gångtid (10 - 240 sek)	120 sek	
		Intervall (1 - 30 min)			2 min	
		Flödessensor *17	Min. (0 - 100 L/min)		5 L/min	
Max. (0 - 100 L/min)			100 L/min			
Intervall (1 - 30 min)			5 min			
Analog utgång	Prioritet (Normal/Hög)		Normal			

(Fortsättning på nästa sida.)

7 Service och underhåll

Teknikerformulär

Protokoll för idrifttagning/lokala inställningar (fortsättning från föregående sida)

Huvudkontrollskärm			Parametrar		Standardinställning	Lokal inställning	Anmärkningar		
Inställning	Servicemeny	Pumphastighet	Varmvatten	Pumphastighet (1 - 5)		5			
			Värme/Kyla	Pumphastighet (1 - 5)		5			
		Värmeväxlingsinställning		Standard/Värmare/Panna/Hybrid *7		Standard			
		Värmepumpinställningar	Flödesområde för värmepump	Min. (0 - 100 L/min)		5 L/min			
				Max. (0 - 100 L/min)		100 L/min			
			Tyst driftläge	Dag (mån - sön)		—			
				Tid		00:00–23:45			
				Tyst läge (Normal/Nivå 1/Nivå 2)		Normal			
		Driftinställningar	Värmedrift *8	Framledn.temperatur område *10	Min.temp. (20 - 45°C)		30°C		
					Max.temp. (35 - 60°C)		50°C		
				Temp.kontroll intervall *14	Läge (Normal/Kraftf.)		Normal		
					Intervall (10 - 60 min)		10 min		
				Värmepumpstermostat skillnadsjustering	På/Av *6		På		
					Nedre gräns (-9 - -1°C)		-5°C		
					Övre gräns (+3 - +5°C)		5°C		
				Frys skyddsfunktion *11		Omgivningstemp. utomhus (3 - 20°C)**		5°C	
				Simultandrift (Varmvatten/Värme)	På/Av *6		Av		
					Omgivningstemp. utomhus (-30 - +10°C) *3		-15°C		
		Kallt väder-funktion	På/Av *6		Av				
			Omgivningstemp. utomhus (-30 - -10°C) *3		-15°C				
		Pann drift	Hybridinställningar	Omgivningstemp. utomhus (-30 - +10°C) *3		-15°C			
				Prioritetsläge (Ute T/Kostnad/CO ₂) *16		Ute T			
				Ökning omgivningstemp. utomhus (+1 - +5°C)		+3°C			
			Intelligenta inställningar	Energi-pris *9	Elektricitet (0,001 - 999 */kWh)		0,5 */kWh		
					Panna (0,001 - 999 */kWh)		0,5 */kWh		
				CO ₂ -utsläpp	Elektricitet (0,001 - 999 kg - CO ₂ /kWh)		0,5 kg -CO ₂ /kWh		
					Panna (0,001 - 999 kg - CO ₂ /kWh)		0,5 kg -CO ₂ /kWh		
				Värme-källa	Värmepumpkapacitet (1 - 40 kW)		11,2 kW		
					Pannans effektivitet (25 - 150 %)		80 %		
			Redo för smarta elnät	Varmvatten	På/Av		Av		
		Måltemperatur (+1 - +20°C)/-- (inte aktiv)			--				
		Värme		På/Av		Av			
				Måltemperatur	Startrekommendation (20 - 60°C)		50°C		
				Startkommando (20 - 60°C)		55°C			
		Kyla		På/Av		Av			
				Måltemperatur	Startrekommendation (5 - 25°C)		15°C		
				Startkommando (5 - 25°C)		10°C			
		Pumpcykler		Värme (På/Av)		På			
				Kyla (På/Av)		På			
		Intervall (10 - 120 min)				10 min			
Golv torkfunktion	På/Av *6		Av						
	Måltemperatur	Starta och avsluta (20 - 60°C)		30°C					
		Max.temp. (20 - 60°C)		45°C					
		Max. temp.period (1 - 20 dagar)		5 dagar					
	Framlednings-temp. (Ökning)	Temp.ökningssteg (+1 - +10°C)		+5°C					
		Ökningsintervall (1 - 7 dagar)		2 dagar					
Framlednings-temp. (Minskning)	Temp.minskingssteg (-1 - -10°C)		-5°C						
	Minskingsintervall (1 - 7 dagar)		2 dagar						
Sommarläge	På/Av		Av						
	Omgivnings-temp. utomhus	Värme PÅ (4 - 19°C)		10°C					
		Värme AV (5 - 20°C)		15°C					
	Bedömningstid	Värme PÅ (1 - 48 timmar)		6 timmar					
		Värme AV (1 - 48 timmar)		6 timmar					
Tvingande uppvärmning PÅ (-30 - 10°C)				5°C					
Auto pumpstyrning		På/Av		Av					

(Fortsättning på nästa sida.)

7 Service och underhåll

■ Teknikerformulär

Protokoll för idrifttagning/lokala inställningar (fortsättning från föregående sida)

Huvudkontrollskärm			Parametrar		Standardinställning	Lokal inställning	Anmärkingar
Servicemeny	Energibildskärmsinställn.	Eltillskottkapacitet	Tillskottsvärmare 1 kapacitet	0 - 30 kW	2 kW		
			Tillskottsvärmare 2 kapacitet	0 - 30 kW	4 kW		
			Doppvärmarekapacitet	0 - 30 kW	0 kW		
			Analog utgång	0 - 30 kW	0 kW		
		Producerad energijustering	-50 - +50%	0%			
		Vattenpumpgång	Pump 1	0 - 200 W eller *** (fabriksmonterad pump)	***		
			Pump 2	0 - 200 W	0 W		
			Pump 3	0 - 200 W	0 W		
			Pump 4	0 - 200 W	72 W		
		Externa ingångsinställningar	Elektrisk energimätare	0,1/1/10/100/1 000 puls/kWh	1 puls/kWh		
			Värmemängdsmätare	0,1/1/10/100/1 000 puls/kWh	1 puls/kWh		
			Behovskontroll (IN4)	Värmekälla AV/Panndrift	Panndrift		
			Utomhustermostat (IN5)	Värmare/Panndrift	Panndrift		
			Driftsignal På	Zon1/Zon2/Zon1 och 2	Zon1 och 2		

*1 Inställningarna relaterade till Zon2 kan ändras endast om 2-zonstemperaturkontroll är aktiverad (när DIP-växlare SW2-6 och SW2-7 är PÅ).

*2 För modell utan både tillskotts- och doppvärmare kanske inte den inställda temperaturen nås beroende på omgivningstemperaturen utomhus.

*3 Den nedre gränsen är -15°C beroende på den anslutna utomhusenheten.

*4 Den nedre gränsen är -13°C beroende på den anslutna utomhusenheten.

*5 Den nedre gränsen är -14°C beroende på den anslutna utomhusenheten.

*6 På: funktionen är aktiv, Av: funktionen är inaktiv.

*7 När DIP-växlare SW1-1 är inställd till AV "UTAN panna" eller SW2-6 är inställd till AV "UTAN mixtank", kan varken Panna eller Hybrid väljas.

*8 Gäller endast vid drift i läget Rumstemperaturstyrning.

9 "" i "*/kWh" representerar valutaenhet (t.ex. € eller £ eller liknande)

*10 Gäller endast vid drift i Rumstemperatur värme.

*11 Om asterisk (**) väljs inaktiveras frysskyddsfunktionen. (vilket innebär frysrisk för primärvattnet)

*12 Inställningarna relaterade till Zon2 kan ändras endast om 2-zonstemperaturkontroll eller 2-zonsventil PÅ/AV-kontrollen är aktiv.

*13 Kyllägesinställningar är endast tillgängliga för ER-modellen.

*14 När DIP-växlare SW5-2 är inställd på AV är funktionen aktiv.

*15 När cylindertanken ansluts till en PUMY-P-utomhusenhet läses läget till "Normal".

*16 När cylindertanken ansluts till en PUMY-P-utomhusenhet läses läget till "Ute T".

*17 Ändra inte inställningen eftersom den är inställd i enlighet med specifikationen för flödessensorn som är monterad på cylindertanken.

1. Güvenlik Bildirimleri.....	2
2. Giriş	3
3. Teknik Bilgiler	4
4. Montaj	10
4.1 Konum.....	10
4.2 Su Kalitesi ve Sistem Hazırlığı	11
4.3 Su Boru Hattı	11
4.4 Elektrik Bağlantısı	14
5. Sistem Ayarlama.....	16
5.1 DIP Anahtarı Fonksiyonları	16
5.2 Çıkışların/Girişlerin bağlanması	17
5.3 2 bölümlü sıcaklık kontrolü bağlantısı	18
5.4 Sadece iç ünite çalışması (montaj işi esnasında).....	19
5.5 SG Ready Ayarı	19
5.6 SD bellek kartının kullanılması	19
5.7 Ana uzaktan kumanda	20
6. Hizmete alma.....	26
7. Servis ve Bakım	27

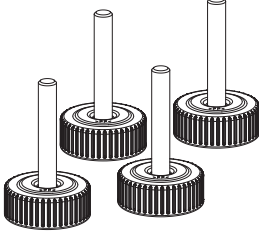
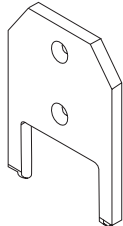
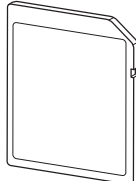



<http://www.mitsubishielectric.com/ldg/ibim/>

Bu kılavuzda yazılı olmayan daha fazla bilgi edinmek isterseniz kılavuzları indirmek için yukarıdaki internet sitesine gidin, model adını ardından dili seçin.

İnternet sitesi kılavuzunun içindekiler

- Enerji monitörü
- Bileşen parçaları (ayrıntılı)
- Su devresi şeması (170 L)
- Oda termostatu
- Doldurma sistemi
- Basit 2 bölümlü sistem
- Bağımsız elektrik güç kaynağı
- SG Ready Ayarı
- Uzaktan kumanda seçenekleri
- Servis menüsü (özel ayar)
- Ek bilgi

Aksesuarlar (Dahil)			
Ayarlanabilir ayaklar	Daldırma ısıtıcısı başlık parçası	SD bellek kartı	Kullanım suyu borusu için bakır gömlek
	Sadece EHPT20X-MHEDW modeli 		
4	1	1	2

Kısaltmalar ve sözlük

No.	Kısaltmalar/Kelime	Tanım
1	Telafi eğrisi modu	Ortam sıcaklığı telafisi içeren ortam ısıtması
2	COP	Performans Katsayısı (Coefficient of Performance), ısı pompasının verimliliği
3	Silindir ünitesi	İç mekan havalandırılmamış kullanım suyu deposu ve bileşen tesisat parçaları
4	Kullanım suyu modu	Banyolar ve lavabolar gibi yerler için evsel sıcak su ısıtma modu
5	Akış sıcaklığı	Suyun ana devreye temin edildiği sıcaklık
6	Donma durumu işlevi	Su borularının donmasını önlemek için ısıtma kontrolü rutini
7	FTC	Akış sıcaklık kontrol ünitesi (Flow temperature controller), sistemin kontrolünden sorumlu olan devre kartı
8	Isıtma modu	Radyatörlerle veya zemin altı ısıtma ile ortam ısıtması
9	Lejyoner	Lejyoner hastalığına yol açması muhtemel olan ve tesisatlarda, banyolarda ve su depolarında bulunan bakteriler
10	LP modu	Lejyoner önleme (Legionella prevention) modu - lejyoner bakterilerinin üremesini önlemek için su depolu sistemlerde bulunan bir işlev
11	Paketli model	Dış mekan ısı pompası ünitesinde bulunan plakalı ısı eşanjörü (Soğutucu - Su)
12	PRV	Basınç tahliye vanası (Pressure relief valve)
13	Dönüş sıcaklığı	Suyun ana devreden geldiği sıcaklık
14	Split model	İç mekan ünitesinde bulunan plakalı ısı eşanjörü (Soğutucu - Su)
15	TRV	Termostatik radyatör vanası (Thermostatic radiator valve) - Isı çıkışını kontrol etmeye yarayan radyatör panelinin girişinde veya çıkışında bulunan vana
16	Soğutma modu	Fan bobinleriyle veya zemin altı soğutmayla ortam ısıtması

1 Güvenlik Bildirimleri

Lütfen aşağıdaki güvenlik önlemlerini dikkatlice okuyun.





UYARI:
Yaralanma veya ölümlerin önlenmesi için uyulması gereken önlemler.

DİKKAT:
Ünitenin hasar görmesinin önlenmesi için uyulması gereken önlemler.

Bu kurulum kılavuzu daha sonra başvurulmak üzere kurulum işleminin ardından kullanım kılavuzuyla birlikte ürünün yanında bırakılmalıdır. Mitsubishi Electric, yerel olarak temin edilen parçaların arızasından sorumlu değildir.

- Düzenli bakımlı gerçekleştirdiğinizden emin olun.
- Yerel yönetmeliklere uyduğunuzdan emin olun.
- Bu kılavuzda verilen talimatlara uyduğunuzdan emin olun.

ÜNİTEDE GÖSTERİLEN SEMBOLLERİN ANLAMLARI

	UYARI (Yangın tehlikesi)	Bu işaret sadece R32 soğutucu içindir. Soğutucu türü, dış ünitenin isim plakasında yazılıdır. Soğutucu türünün R32 olması durumunda bu ünite, yanıcı bir soğutucu kullanır. Soğutucu, sızarak ateş veya ısıtıcı parçayla temas ederse bu durum zararlı gazların oluşmasına neden olur ve yangın tehlikesi vardır.
		Cihazı çalıştırmadan önce KULLANIM KILAVUZUNU dikkatlice okuyun.
		Cihazı çalıştırmadan önce KULLANIM KILAVUZU ve KURULUM KILAVUZUNUN dikkatlice okunması için servis personeli gereklidir.
		Daha fazla bilgi, KULLANIM KILAVUZU, KURULUM KILAVUZU ve benzeri kılavuzlarda mevcuttur.

UYARI

Mekanik

- Silindir ünitesi ve dış ünite kullanıcı tarafından kurulmamalı, sökülmemeli, yeri değiştirilmemeli, değiştirilmemeli veya onarılmamalıdır. Yetkili bir montaj uzmanı ve teknisyeninden bunları yapmasını isteyin. Ünite, yanlış şekilde kurulursa veya kurulumun ardından üzerinde değişiklik yapılırsa su sızıntısı, elektrik çarpması veya yangın meydana gelebilir.
- Dış ünite, dış ünitenin ağırlığını taşıyabilecek sert ve düz bir yüzeye sıkıca sabitlenmelidir.
- Silindir ünitesi, aşırı ses ve titreşimin önlenmesi için dolu ağırlığını destekleyebilecek sert ve düz bir yüzeye yerleştirilmelidir.
- Dış ünite veya silindir ünitesinin altına mobilya veya elektrikli cihazlar koymayın.
- Silindir ünitesinin acil durum tertibatlarından gelen tahliye borusu, yerel kanunlara göre takılmalıdır. sadece Mitsubishi Electric tarafından onaylı aksesuar ve yedek parçaları kullanan, yetkili bir teknisyenden parçaları takmasını isteyin.

Elektrik

- Tüm elektrik işleri, yerel yönetmeliklere ve bu kılavuzda verilen talimatlara göre yetkili bir teknisyen tarafından gerçekleştirilmelidir.
- Ünitelere, özel bir güç kaynağından elektrik sağlanmalı ve doğru voltaj ve devre kesiciler kullanılmalıdır.
- Elektrik tertibatı, ulusal elektrik tertibatı yönetmeliklerine uygun olmalıdır. Bağlantılar, sıkı ve terminalerin üzerinde gerilim olmayacak şekilde yapılmalıdır.
- Ünitenin topraklamasını doğru şekilde yapın.

Genel

- Çocukları ve evcil hayvanları silindir ünitesinden ve dış üniteden uzak tutun.
- Doğrudan ısı pompası tarafından üretilen sıcak suyu içmek veya yemek pişirmek için kullanmayın. Kullanılması hastalıklara neden olabilir.
- Ünitelerin üzerine basmayın.
- Anahtarlara çıplak ellerinizle dokunmayın.
- Silindir ünitesi ve dış ünite üzerindeki yıllık bakım kontrolleri yetkili biri tarafından gerçekleştirilmelidir.
- Silindir ünitesinin üzerine sıvı içeren kaplar koymayın. Sızıntı olursa veya silindir ünitesinin üzerine dökülürse ünite hasar görebilir ve/veya yangın çıkabilir.
- Silindir ünitesinin üzerine ağır nesnelere koymayın.
- Silindir ünitesini monte ederken, taşırken veya servisten geçirirken soğutucu hatlarını doldurmak için sadece ısı pompasının belirtilen soğutucusunu kullanın. Başka bir soğutucuyla karıştırmayın ve hatlara havanın girmesini engelleyin. Soğutucuya hava karışırsa soğutucu hattındaki basınç anormal düzeyde yükselebilir ve patlama ve diğer tehlikeler yaşanabilir.
- Sistem için belirtilenden farklı bir soğutucunun kullanılması, makine arızasına, sistemde işlev bozukluğuna veya ünitenin bozulmasına neden olur. En kötü senaryoda ürünün emniyeti ciddi şekilde tehlikeye girebilir.
- Isıtma modunda ısı yayıcıların aşırı sıcak sudan zarar görmesini engellemek için hedef akış sıcaklığını, tüm ısı yayıcıların maksimum izin verilen sıcaklığının en az 2°C altına ayarlayın. Bölüm2 için hedef akış sıcaklığını, Bölüm2 devresindeki tüm ısı yayıcıların maksimum izin verilen akış sıcaklığının en az 5°C altına ayarlayın.
- Üniteyi, yanıcı gazların sızabileceği, üretilebileceği, akabileceği veya birikebileceği yerlere monte etmeyin. Ünitenin etrafında yanıcı haz birikirse yangın veya patlama meydana gelebilir.
- Buz çözme işlemini hızlandırmak veya temizlik için üretici tarafından önerilen dışında araçlar kullanmayın.
- Cihaz, sürekli ateşleme kaynakları (örneğin: açık ateşler, çalışan bir gazlı cihaz veya çalışan bir elektrikli ısıtıcı) olmayan bir odada saklanmalıdır.
- Delmeyin veya yakmayın.
- Soğutucuların kokusuz olabileceğini unutmayın.
- Borular, fiziksel hasardan korunmalıdır.
- Boru montajı minimumda tutulmalıdır.
- Ulusal gaz yönetmeliklerine uygunluk sağlanmalıdır.
- Gerekli tüm havalandırma deliklerini tıkanmasından kaçınin.
- Soğutucu borularının lehimlenmesi durumunda düşük sıcaklıklı lehim alaşımı kullanmayın.

1 Güvenlik Bildirimleri

⚠ DİKKAT

- Ana devrede yerel kalite standartlarını karşılayan temiz su kullanın.
- Dış ünite, yeterli hava akımına sahip bir alana dış ünite kurulum kılavuzunda bulunan şemalara göre monte edilmelidir.
- Silindir ünitesi, ısı kaybının en aza indirilmesi için içeriye konulmalıdır.
- Dış ünite ile iç ünite arasında ana devredeki su boruları, ısı kaybının azaltılması için minimumda tutulmalıdır.
- Su birikintilerinin önlenmesi için dış üniteden gelen yoğunlaşma suyunun tabandan boruyla atılmasını sağlayın.
- Ana ve kullanım suyu devrelerinden mümkün olduğu kadar çok hava alın.
- Soğutucu, boğulmaya neden olabilir. EN378-1 yönetmeliğine uygun olarak havalandırma sağlayın.
- Boruların etrafına yalıtım malzemesi sarıldığından emin olun. Borulara doğrudan çıplak elle temas, yanıklara veya soğuk ısırmasına neden olabilir.
- Yanlışlıkla yutmayı önlemek için pilleri hiçbir nedenden dolayı kesinlikle ağızınıza sokmayın.
- Pilin yutulması, boğulmaya ve/veya zehirlenmeye neden olabilir.
- Silindir ünitesini, kullanım suyu deposunun içerisinde su varken taşımayın. Bu şekilde taşınması ünitenin hasar görmesine neden olabilir.
- Silindir ünitesine giden güç uzun süreli kapatılacaksa (veya sistem kapatılacaksa) su, tahliye edilmelidir.
- Uzun bir süre kullanılmamışsa çalıştırmaya devam etmeden önce kullanım suyu deposu, içme suyuyla yıkanmalıdır.
- Koç darbesine karşı, üretici talimatlarına göre ana su devresine bir koç darbesi önleme vanası takmak gibi önleyici tedbirler alınmalıdır.

Soğutucunun kullanımı için dış ünitenin kurulum kılavuzuna bakın.

2 Giriş

Bu kurulum kılavuzunun amacı, silindir ünitesi sistemini nasıl güvenli ve etkili şekilde monte edecekleri ve hizmete alacakları konusunda uzman kişilere yol göstermektir. Bu kılavuzun hedef okuyucuları, zorunlu Mitsubishi Electric ürün eğitimine katılarak

geçmiş olan ve ülkelerine özgü bacasız bir sıcak su silindir ünitesinin montajına yönelik uygun niteliklere sahip uzman tesisatçılar ve/veya soğutma mühendisleridir.

3 Teknik Bilgiler

Ürünün teknik özellikleri

Model adı	EHST17D-VM2D	ERST17D-VM2D	EHST20D-MED	EHST20D-VM2D	EHST20D-VM6D	EHST20D-YM9D	EHST20D-YM9D	EHST20D-YM9D	EHST20D-TM9D	ERST20D-VM2D	EHST30D-MED	EHST30D-VM6D	EHST30D-YM9D	EHST30D-TM9D	ERST30D-VM2D
Nominal evsel sıcak su hacmi	170 L	170 L	200 L	200 L	200 L	200 L	200 L	200 L	200 L	200 L	300 L	300 L	300 L	300 L	300 L
Genel ünite boyutları (Yükseklik x Genişlik x Derinlik)	1.400 x 595 x 680 mm														
Ağırlık (boş)	93 kg	104 kg	98 kg	104 kg	105 kg	106 kg	106 kg	106 kg	106 kg	106 kg	106 kg	106 kg	106 kg	106 kg	106 kg
Ağırlık (dolu)	269 kg	310 kg	304 kg	310 kg	311 kg	314 kg	314 kg	314 kg	314 kg	314 kg	314 kg	314 kg	314 kg	314 kg	314 kg
Unitedeki ısıtma devresi su hacmi *1	3-4 L	3-4 L	3-4 L	3-4 L	3-4 L	3-4 L	3-4 L	3-4 L	3-4 L	3-4 L	3-4 L	3-4 L	3-4 L	3-4 L	3-4 L
Nominal hacim	12 L	12 L	12 L	12 L	12 L	12 L	12 L	12 L	12 L	12 L	12 L	12 L	12 L	12 L	12 L
Becazır genişleme kabı (Ana ısıtma)	0,1 MPa	0,1 MPa	0,1 MPa	0,1 MPa	0,1 MPa	0,1 MPa	0,1 MPa	0,1 MPa	0,1 MPa	0,1 MPa	0,1 MPa	0,1 MPa	0,1 MPa	0,1 MPa	0,1 MPa
Kontrol termostatı	1 - 80°C														
Ana devre	Basınç tahliye vanası (Pressure relief valve)														
Akış sensörü	0,3 MPa (3bar)														
Ek ısıtıcı cihazı	BH manuel sıfırlanabilir termostat														
Kullanım suyu deposu	BH termal kesme														
	Kontrol termostatı														
Bağlantılar	IH manuel sıfırlanabilir termostat														
	Basınç tahliye vanası (Pressure relief valve)														
Çalışma aralığı	Su														
	Su sıcaklığı														
Ortam	Su sıcaklığı														
	Su sıcaklığı														
Garanti edilen çalışma aralığı *2	Su sıcaklığı														
	Su sıcaklığı														
Kullanım suyu deposu performansı	Su sıcaklığı														
	Su sıcaklığı														
Elektrikle ilgili veriler	Su sıcaklığı														
	Su sıcaklığı														
Ses gücü seviyesi (PWL)	Su sıcaklığı														
	Su sıcaklığı														

<Tablo 3.1>

*1 Kullanma suyu devresi hacmi, ana kullanım suyu devresi (3 yollu vanadan ısıtma devreli birleşme noktasına), borulardan genişleme kabına ve genişleme kabı bu değere dahil değildir.
*2 Ortam buzlama aralığıdır.
*3 Dış ünite teknik bilgiler tablosuna bakın (min, 10°C). Soğutma modu, düşük dış ortam sıcaklığında kullanılmaz. Sistemimizi, düşük dış ortam sıcaklığında kullanılmadıkta plakalı ısı eşanjörünün donan su nedeniyle hasar görme tehlikesi vardır.
*4 Ek ısıtıcı ve daldırma ısıtıcısı olmayan model için maksimum izin verilen sıcak su sıcaklığı [Dış Ünite için maksimum çıkış suyu -3°C]. Dış ünitenin maksimum çıkış suyu için dış ünitenin veri kitapçığına bakın.
*5 Daldırma ısıtıcıyı termal şalter olmadan takmayın. Doğrudan yenisiyle değiştirilmede yalnızca Mitsubishi Electric servis parçalarını kullanın.

Ürünün teknik özellikleri

Model adı	EHST20C-MED	EHST20C-VM2D	EHST20C-VM6D	EHST20C-VM9D	EHST20C-VM9ED	EHST20C-TM9D	ERST20C-VM2D	EHST30C-MED	EHST30C-VM6D	EHST30C-VM9ED	EHST30C-TM9ED	ERST30C-VM2ED	EHPT17X-VM6D	EHPT17X-VM9D	ERPT17X-VM2D	
Nominal eşel sıcak su hacmi	200 L															
Genel ünite boyutları (Yükseklik x Genişlik x Derinlik)	1.600 x 595 x 680 mm															
Ağırlik (boş)	106 kg	113 kg	114 kg	115 kg	109 kg	115 kg	113 kg	118 kg	120 kg	121 kg	121 kg	120 kg	85 kg	86 kg	87 kg	
Ağırlik (dolu)	314 kg	320 kg	321 kg	324 kg	319 kg	324 kg	320 kg	426 kg	422 kg	431 kg	428 kg	428 kg	261 kg	262 kg	265 kg	
Unitedeki ısıtma devresi su hacmi *1	4.6 L		6.9 L		6.9 L		4.6 L		7.3 L		5.0 L		3.2 L		3.2 L	
Bacasız genleşme kabı	12 L															
Nominal hacim	12 L															
Doldurma basıncı (Ana ısıtma)	0,1 MPa															
Kontrol termostatı	1 - 80°C															
Ana devre	0,3 MPa (3bar)															
Akış sensörü	Mn. akış 5.0 L/dak. (Su akış hızı aralığı için bkz. tablo 4.3.1)															
Emniyet cihazı	90°C															
Kullanım suyu deposu	121°C															
	75°C															
Bağlantılar	1.0 MPa (10 bar)															
	Ø28 mm															
Çalışma aralığı	Ø22 mm															
	10 - 30°C															
Garanti edilen çalışma aralığı *2	20 - 60°C															
	5 - 25°C															
Kullanım suyu performansı	0 - 35°C (± %80 RH)															
	Dış ünite teknik özellikler tablosuna bakın.															
Elektrikle ilgili veriler	*4															
	*3															
Ses gücü seviyesi (PWL)	70°C															
	A+															
Kontrol kartı (4 pompa dahil)	~N, 230 V, 50 Hz															
	0,30 kW															
Güç kaynağı (Faz, voltaj, frekans)	1,95 A															
	10 A															
Kapasite	~N, 230 V, 50 Hz															
	3~, 400 V, 50 Hz															
Akım	3~, 230 V, 50 Hz															
	3~, 400 V, 50 Hz															
Şalter	3 kW + 6 kW															
	3 kW + 6 kW															
Güç kaynağı (Faz, voltaj, frekans)	2 kW															
	2 kW + 4 kW															
Kapasite	9 A															
	26 A															
Akım	13 A															
	16 A															
Şalter	16 A															
	32 A															
Daldırma ısıtıcı *5	Güç kaynağı (Faz, voltaj, frekans)															
	Kapasite															
Şalter	Akım															
	Şalter															

<Tablo 3.2>

*1 Kullanma suyu devresi hacmi, ana kullanım suyu devresi (3 yollu vanadan ısıtma devreli birleşme noktasına), bonulardan genleşme kabına ve genleşme kabı bu değere dahil değildir.

*2 Ortam buzlama malidir.

*3 Dış ünite teknik bilgileri tablosuna bakın (min, 10°C). Soğutma modu, düşük dış ortam sıcaklığında (10°C veya altı) soğutma modunda kullanıldığında plakalı ısı eşanjörünün donan su nedeniyle hasar görme tehlikesi vardır.

*4 Ek ısıtıcı ve daldırma ısıtıcı olmayan model için maksimum izin verilen sıcak su sıcaklığı. Dış ünitenin Maksimum çıkış suyu -3°C'dir. Dış ünitenin maksimum çıkış suyu için dış ünitenin veri kitapçığına bakın.

*5 Daldırma ısıtıcıyı termal şalter olmadan takmayın. Doğrudan yenisiyle değiştirilmede yalnızca Mitsubishi Electric servis parçalarını kullanın.

3 Teknik Bilgiler

Ürünün teknik özellikleri

Model adı	EHP20X-MED	EHP20X-VM6D	EHP20X-YM9D	EHP20X-YM9D	EHP20X-TM9D	EHP20X-MHEDW	ERPT20X-MD	ERPT20X-VM2D	ERPT20X-VM6D	EHP20X-MED	EHP20X-VM9D	ERPT30X-VM2ED
Nominal evsel sıcak su hacmi	300 L											
Genel Ünite boyutları (Yükseklik x Genişlik x Derinlik)	1.600 x 595 x 680 mm											
Ağırlık (boş)	93 kg	101 kg	102 kg	96 kg	102 kg	90 kg	99 kg	100 kg	101 kg	106 kg	109 kg	107 kg
Ağırlık (dolu)	300 kg	307 kg	310 kg	305 kg	310 kg	296 kg	305 kg	305 kg	307 kg	413 kg	419 kg	413 kg
Ünitedeki ısıtma devresi su hacmi *1	3,7 L	12 L	6,0 L	6,0 L	12 L	3,7 L	3,7 L	3,7 L	3,7 L	4,4 L	6,7 L	4,4 L
Bacasız genleşme kabı (Ana ısıtma)	—	0,1 MPa	—	—	0,1 MPa	—	—	12 L	—	—	—	—
Doldurma basıncı (Ana ısıtma)	—	0,1 MPa	—	—	0,1 MPa	—	—	0,1 MPa	—	—	—	—
Kontrol termostatı	1 - 80°C											
Ana devre	—											
Basınç tahliye vanası (Pressure relief valve)	—											
Akış sensörü	Min. akış 5,0 L/dak (Su akış hızı aralığı için bkz. tablo 4.3.1)											
BH manuel sıfırlamalı termostat	—	90°C	90°C	90°C	90°C	—	—	90°C	—	—	—	90°C
BH termal Kesme	—	121°C	121°C	121°C	121°C	—	—	121°C	—	—	—	121°C
Kullanım suyu deposu	75°C											
Kontrol termostatı	—											
Isıtma / Soğutma	1,0 MPa (10 bar)											
Sıcaklık / Basınç tahliye vanası (Pressure relief valve)	90°C / 0,7 MPa (7 bar)											
Su	1,0 MPa (10 bar)											
Ana devre	—											
Kullanım suyu devresi	—											
Sıvı	—											
Gaz	—											
Isıtma	10 - 30°C											
Akış sıcaklığı	20 - 60°C											
Soğutma	—											
Akış sıcaklığı	5 - 25°C											
Ortam	0 - 35°C (≤ %80 RH)											
Isıtma	—											
Soğutma	—											
Diş sıcaklık	Diş ünite teknik özellikler tablosuna bakın.											
İzin verilen maksimum sıcak su sıcaklığı	*4	70°C	—	—	70°C	—	*4	70°C	70°C	*4	—	70°C
Beyan edilen yük profili	L											
Ortalama hava	A+											
Su ısıtıcısı enerji verimliliği	—											
Kontrol kartı (4 pompa dahil)	~N, 230 V, 50 Hz											
Güç kaymağı (Faz, volaj, frekans)	—											
Giriş	0,30 kW											
Akım	1,95 A											
Şalter	10 A											
Güç kaymağı (Faz, volaj, frekans)	~N, 230 V, 50 Hz	3~ 400 V, 50 Hz	3~ 230 V, 50 Hz	3~ 400 V, 50 Hz	3~ 230 V, 50 Hz	—	—	~N, 230 V, 50 Hz	—	—	3~ 400 V, 50 Hz	~N, 230 V, 50 Hz
Kapasite	—	2 kW +4 kW	3 kW +6 kW	—	—	—	—	2 kW +4 kW	—	—	3 kW +6 kW	2 kW
Akım	—	26 A	13 A	16 A	23 A	—	—	9 A	26 A	—	13 A	9 A
Şalter	—	32 A	16 A	16 A	32 A	—	—	16 A	32 A	—	16 A	16 A
Güç kaymağı (Faz, volaj, frekans)	—	—	—	—	—	—	—	~N, 230 V, 50 Hz	—	—	—	—
Kapasite	—	—	—	—	—	—	—	3 kW	—	—	—	—
Akım	—	—	—	—	—	—	—	13 A	—	—	—	—
Şalter	—	—	—	—	—	—	—	16 A	—	—	—	—
Ses gücü seviyesi (PWL)	40 dB(A)											

<Tablo 3.3>

*1 Kullanma suyu devresi hacmi, ana kullanım suyu devresi (3 yollu vanadan ısıtma devreli birleşme noktasına), borulardan genleşme kabına ve genleşme kabı bu değere dahil değildir.

*2 Ortam buzlanmamalıdır.

*3 Diş ünite teknik bilgiler tablosuna bakın (min. 10°C). Soğutma modu, düşük dış ortam sıcaklığında kullanılmaz. Sistemimizi, düşük ortam sıcaklığında (10°C veya altı) soğutma modunda kullandığımızda plakal ısı eşanjörünün donan su nedeniyle hasar görme tehlikesi vardır.

*4 Ek ısıtıcı ve daldırma ısıtıcısı olmayan model için maksimum izin verilen sıcak su sıcaklığı (Diş ünitenin Maksimum çıkış suyu -3°C). Dış ünitenin maksimum çıkış suyu için dış ünitenin veri kitapçığına bakın.

*5 Daldırma ısıtıcısı termal şalter olmadan takmayın. Doğrudan yenisiyle değiştirilmez yalnızca Mitsubishi Electric servis parçalarını kullanın.

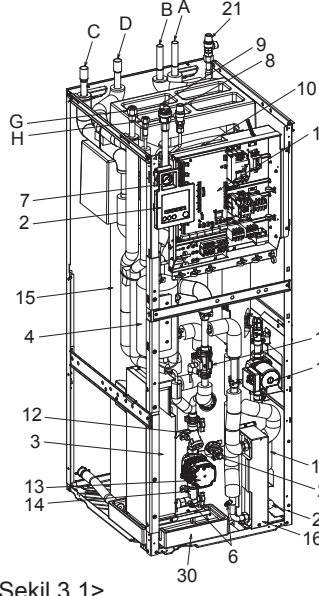
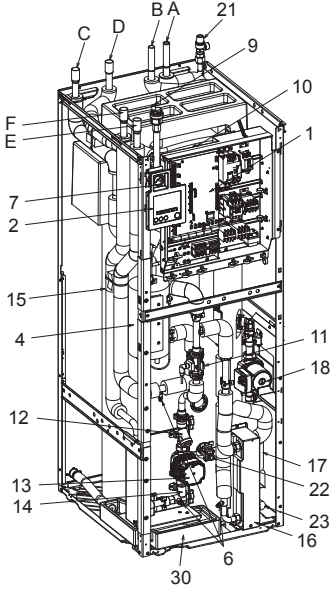
3 Teknik Bilgiler

Bileşen Parçaları

<E**T***.M**D>

(Paketli model sistemi)

(Split model sistemi)

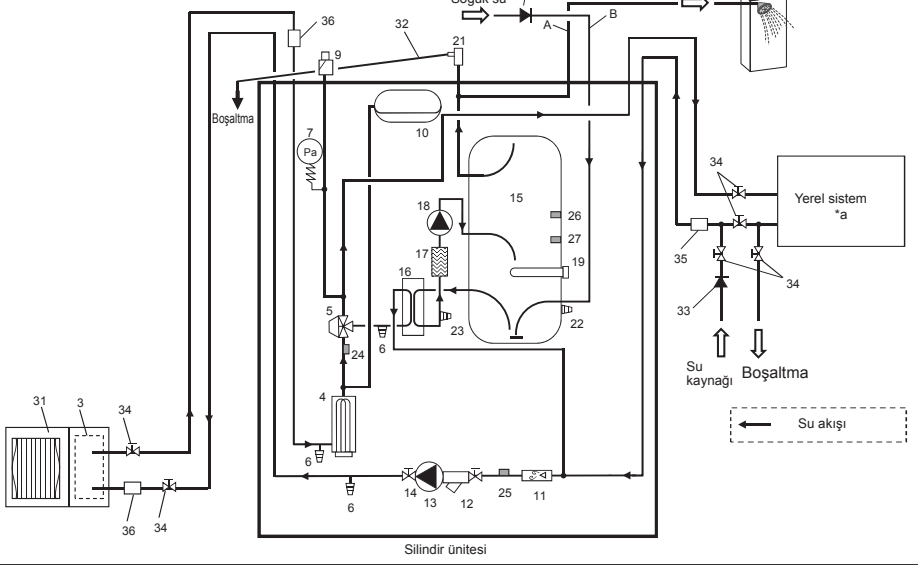


Not:
Tüm E**T***.M**ED* modellerinin montajı için genişleme kabının alanda patlamasını önlemek üzere uygun biçimde boyutlandırılmış bir ana yan genişleme kabı ve bir ek PRV takıldığından emin olun. (Daha fazla yönlendirme için bkz. şekil 3.2 ~ 3.3 ve 4.3.2)

<Şekil 3.1>

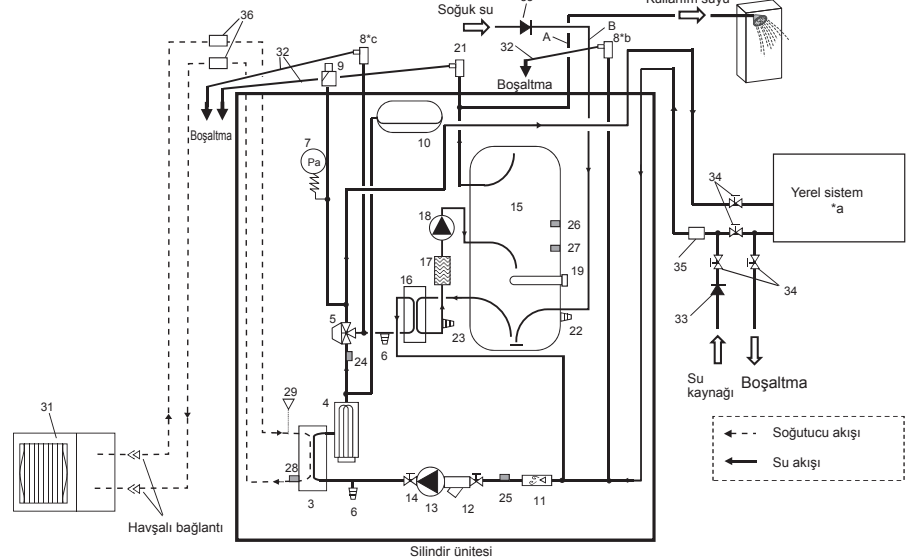
Su devresi şeması

<E*PT20/30X-.M**D> (Paketli model sistemi)



<Şekil 3.2>

<E*ST20C/30C/30D-.M**D> (Split model sistemi)



<Şekil 3.3>

No.	Parça adı
A	Kullanım suyu çıkış borusu
B	Soğuk su giriş borusu
C	Su borusu (Ortam ısıtma/soğutma dönüş bağlantısı)
D	Su borusu (Ortam ısıtma/soğutma akış bağlantısı)
E	Su borusu (Isı pompası bağlantısından akış)
F	Su borusu (Isı pompası bağlantısına dönüş)
G	Soğutucu borusu (Gaz)
H	Soğutucu borusu (Sıvı)
1	Kontrol ve elektrik kutusu
2	Ana uzaktan kumanda
3	Plakalı ısı eşanjörü (Soğutucu - Su)
4	Ek ısıtıcı 1,2
5	3 yollu vana
6	Boşaltma musluğu (Ana devre)
7	Manometre
8	Basınç tahliye vanası (3bar)
9	Otomatik hava tahliye deliği
10	Genleşme kabı (Ana devre)
11	Akış sensörü
12	Filtreli vana
13	Su sirkülasyon pompası 1 (Ana devre)
14	Pompa vanası
15	Kullanım suyu deposu
16	Plakalı ısı eşanjörü (Su - Su)
17	Kireç tutucu
18	Su sirkülasyon pompası (Kullanma suyu devresi)
19	Daldırma ısıtıcı*1
20	Sıcaklık ve basınç tahliye vanası*1
21	Basınç tahliye vanası (10bar) (Kullanım Suyu Deposu)
22	Boşaltma musluğu (Kullanım Suyu deposu)
23	Boşaltma musluğu (Kullanma suyu devresi)
24	Akış suyu sıcakl. termistörü (THW1)
25	Dönüş suyu sıcakl. termistörü (THW2)
26	Kullanım suyu deposu üst su sıcakl. termistörü (THW5A)
27	Kullanım suyu deposu alt su sıcakl. termistörü (THW5B)
28	Soğutucu sıvı sıcakl. termistörü (TH2)
29	Basınç sensörü
30	Boşaltma tavası
31	Dış ünite
32	Boşaltma borusu (Yerel tedarik)
33	Ters akış önleme tertibatı (Yerel tedarik)
34	Kapama vanası (Yerel tedarik)
35	Manyetik filtre (Yerel tedarik) (Önerilir)
36	Filtre (Yerel tedarik)
37	Ek PRV (Yerel tedarik)
38	Giriş kontrol grubu *1
39	Doldurma devresi (Küresel vanalar, çek valfler ve esnek hortum) *1
40	İçme suyu genişleme kabı *1

*1 SADECE Birleşik Krallık modeliyle tedarik edilir. Aksesuarlar ile ilgili daha fazla bilgi için lütfen PAC-WK02UK-E Kurulum Kılavuzuna bakın.

<Tablo 3.5>

Diğer ünitelerin su devresini ve her ünitenin bileşen parçalarını kontrol etmek için Mitsubishi internet sitesine gidin.

*a Takip eden bölüme [Yerel sistem] bakın.

*b Sadece E**T20

*c Sadece E**T30

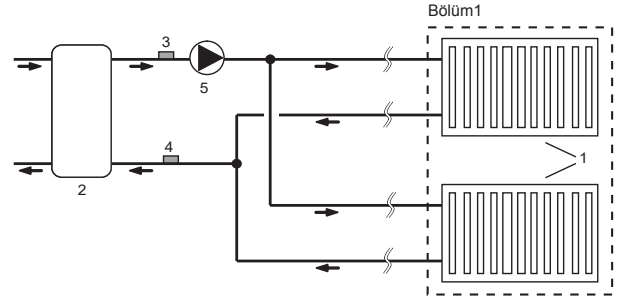
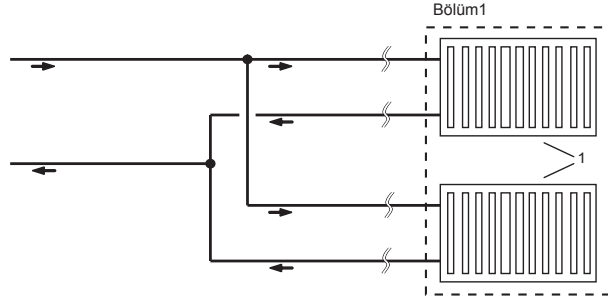
Not

- Silindir ünitesinin boşaltmasını sağlamak için hem giriş hem de çıkış borusu üzerine bir izolasyon vanası yerleştirilmelidir.
- Silindir ünitesine giden giriş borusuna bir filtre monte ettiğinizden emin olun.
- Uygun boşaltma borusu, ülkenizdeki yönetmeliklere uygun olarak tüm tahliye vanalarına takılmalıdır.
- Soğuk su borusuna bir geri akış önleme tertibatı takılmalıdır (IEC 61770).
- Farklı metallerden yapılan bileşenler veya farklı metallerden yapılan bağlantı boruları kullanırken borulara zarar verebilecek herhangi bir çürütücü reaksiyonun meydana gelmesini önlemek için ek yerlerini yalıtın.

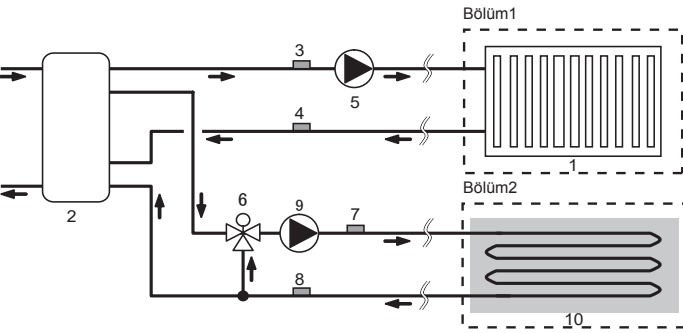
3 Teknik Bilgiler

Yerel sistem

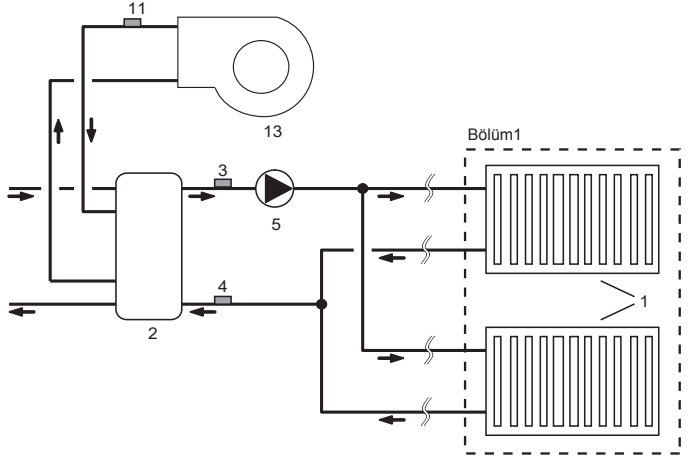
1 bölümlü sıcaklık kontrolü



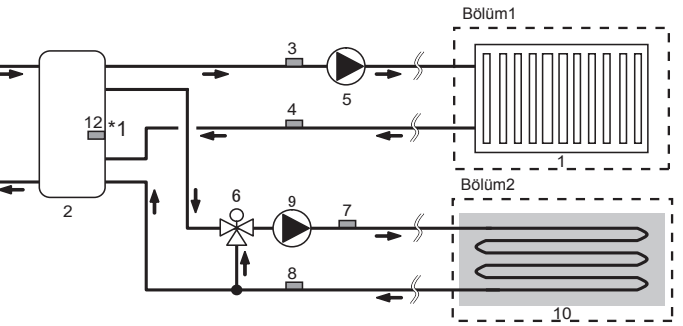
2 bölümlü sıcaklık kontrolü



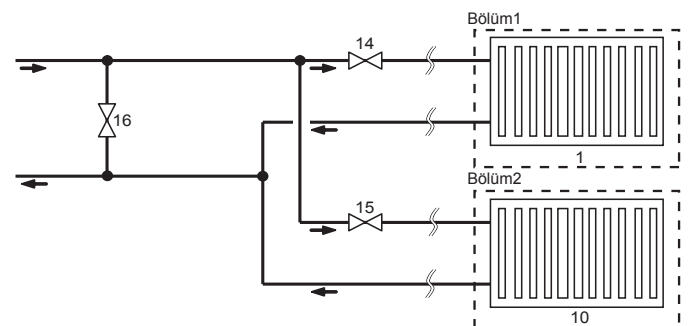
Kazanlı 1 bölümlü sıcaklık kontrolü



2 bölümlü sıcaklık kontrolü ve Buffer tank kontrolü



1 bölümlü sıcaklık kontrolü (2 bölümlü vana AÇMA/KAPATMA kontrolü)



1. Bölüm1 ısı yayıcıları (ör. radyatör, fanlı ısıtıcı ünite) (yerel tedarik)
2. Karışım deposu (yerel tedarik)
3. Bölüm1 akış suyu sıcakl. termistörü (THW6)
4. Bölüm1 dönüş suyu sıcakl. termistörü (THW7)
5. Bölüm1 su sirkülasyon pompası (yerel tedarik)
6. Motorlu karışım vanası (yerel tedarik)
7. Bölüm2 akış suyu sıcakl. termistörü (THW8)
8. Bölüm2 dönüş suyu sıcakl. termistörü (THW9)
9. Bölüm2 su sirkülasyon pompası (yerel tedarik)

10. Bölüm2 ısı yayıcıları (ör. yerden ısıtma) (yerel tedarik)
11. Kazan akış suyu sıcakl. termistörü (THWB1)
12. Karışım deposu termistörü (THW10) *1
13. Kazan (yerel tedarik)
14. Bölüm1 2 yollu vana (yerel tedarik)
15. Bölüm2 2 yollu vana (yerel tedarik)
16. Saptırma vanası (yerel tedarik)

*1 SADECE Buffer tank kontrolü (ısıtma/soğutma) "SG Ready Ayarı" için geçerlidir.

4 Montaj

<Kurulum ve servisten önceki hazırlık>

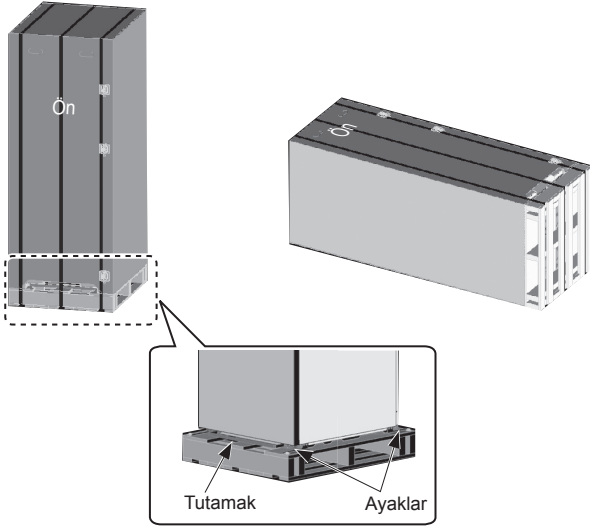
- Uygun aletleri hazırlayın.
- Uygun korumaları hazırlayın.
- Herhangi bir bakım işine başlamadan önce cihaz parçalarının soğumasını bekleyin.
- Yeterli havalandırma sağlayın.
- Sistemin çalışması durduktan sonra elektrik kaynağı şalterini kapatarak elektrik prizini çekin.
- Elektrikli parçaları içeren çalışmaya başlamadan önce kapasitörü deşarj edin.

<Servis işleri esnasındaki önlemler>

- Elektrikli parçaları içeren işleri ıslak ellerinizle gerçekleştirmeyin.
- Elektrikli parçaların içine su veya sıvı dökmeyin.
- Soğutucuya dokunmayın.
- Soğutucu çevrimindeki sıcak veya soğuk yüzeylere dokunmayın.
- Elektrik kesilmeden devre onarımı veya kontrolünün gerçekleştirilmesi gerekli olduğunda AKIM TAŞIYAN hiçbir parçaya DOKUNMAMAK için büyük dikkat gösterin.

4.1 Konum

■ Nakliye ve Taşıma



<Şekil 4.1.1>

Silindir ünitesi, ahşap bir palet taban üzerinde karton koruma içinde teslim edilir.

Silindir ünitesinin nakliyesi sırasında kasasının darbelerden zarar görmemesine dikkat edilmelidir. Silindir ünitesi nihai konumuna ulaşana kadar koruyucu ambalajı çıkarmayın. Bu durum yapının ve kontrol panelinin korunmasına yardımcı olur.

- Silindir ünitesinin nakliyesi, dikey veya yatay olarak yapılabilir. Yatay olarak nakledilecekse "Ön" yazılı panel **YUKARI DOĞRU** bakmalıdır <Şekil 4.1.1>.
- Silindir ünitesi, HER ZAMAN en az 3 kişi tarafından taşınmalıdır.
- Silindir ünitesini taşıırken sağlanan tutamakları kullanın.
- Tutamakları kullanmadan önce sıkıca takılmış olduğundan emin olun.
- **Ünite, kurulum konumuna getirildiğinde lütfen ön tutamağı, sabitleme ayaklarını, ahşap tabanı ve diğer tüm ambalajı çıkarın.**
- **Sonraki nakliyeler için tutamakları saklayın.**

■ Uygun Konum

Montaj işleminden önce silindir ünitesi, buzlanmayan bir konumda muhafaza edilmelidir. Üniteler, **İSTİFLENMEMELİDİR.**

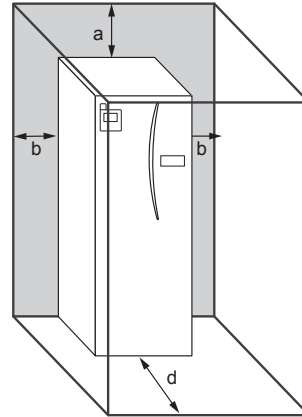
- Silindir ünitesi, iç mekânlara buzlanmayan bir konuma kurulmalıdır.
- Silindir ünitesini, suya/aşırı neme maruz kalmayacak bir yere kurun.
- Silindir ünitesi, **DOLU** ağırlığını destekleyebilecek düz bir yüzeye yerleştirilmelidir. (Ayarlanabilir ayaklar (yardımcı parçalar) ünitenin düz olmasının sağlanması için kullanılabilir)
- Ayarlanabilir ayaklar kullanılırken zeminin yeteri kadar güçlü olduğundan emin olun.
- Servis erişimi için ünitenin etrafındaki ve önündeki minimum mesafelere uyulmasına dikkat edilmelidir <Şekil 4.1.2>.
- Devrilmesini önlemek için silindir ünitesini sağlamlaştırın.

■ Servis erişim şemaları

Parametre	Boyut (mm)
a	300*
b	150
c (Şekil 4.1.2'de ünitenin arkasındaki mesafe görünmemektedir)	10
d	500

<Tablo 4.1.1>

Ulusal ve Bölgesel Yapı Yönetmeliklerinde ayrıntılı olarak belirtildiği gibi tahliye boru tesisatının sağlanması için yeterli boşluk BIRAKILMALIDIR.



<Şekil 4.1.2>

Servis erişimi

* İsteğe bağlı 2 bölmeli kit (PAC-TZ02-E) silindir ünitesinin üst kısmına monte edilirken bir ilave 300 mm'lik boşluk (toplam 600 mm) gereklidir.

Silindir ünitesi örneğin, depolanan sudan ısı kaybının önlenmesi için bir çamaşır odasına iç mekânlara ve buzlanmayan bir ortama konumlandırılmalıdır.

■ Yeniden Konumlandırma

Silindir ünitesini yeni bir konuma taşımanız gerekiyorsa ünitenin zarar görmesini önlemek için taşımadan önce silindir ünitesini TAMAMEN BOŞALTIN.

4.2 Su Kalitesi ve Sistem Hazırlığı

■ Genel

- Hem ana hem de kullanma suyu devresindeki su, temiz ve 6,5-8,0 pH değerine sahip olmalıdır
- Aşağıdakiler maksimum değerlerdir;
Kalsiyum: 100 mg/L, Ca sertliği: 250 mg/L
Klorür: 100 mg/L, Bakır: 0,3 mg/L
- Diğer bileşenler, Avrupa Direktifi 98/83 EC standartlarına uygun olmalıdır.
- Suyu sert olarak bilinen alanlarda kireçlenmeyi önlemek/en aza indirmek için rutin depolanan su sıcaklığının (Kullanım suyu maks. sıcaklı.) 55°C olarak sınırlandırılması faydalıdır.

■ Antifriz

Antifriz çözeltisinde, 5. Basım Ticari Ürünler Klinik Toksikolojisinde listelenen Sınıf 1 toksisite derecesine sahip propilen glikol kullanılmalıdır.

Not:

- Etilen glikol toksiktir ve içme suyu devresinin çapraz kirlenmesi durumunda ana su devresinde **KULLANILMAMALIDIR**.
- 2 bölümü vana **AÇMA/KAPATMA** kontrolü için propilen glikol kullanılmalıdır.

■ Yeni Montaj (ana su devresi)

- Dış üniteyi bağlamadan önce uygun bir kimyasal temizlik deterjanı kullanarak borudaki inşaat pisliklerini, lehim vb. temizleyin.
- Kimyasal temizleyiciyi gidermek için sistemi durulayın.
- Tüm paketli model sistemleri için boruların ve sistem bileşenlerinin zarar görmesini önlemek için bir yavaşlatıcı ve antifriz çözeltisi karışımı ekleyin.
- Split model sistemleri için sorumlu montajcı, her yerin koşullarına yönelik olarak antifriz çözeltisinin gerekli olup olmadığına karar vermelidir. Yine de pas önleyici HER ZAMAN kullanılmalıdır.

■ Mevcut Montaj (ana su devresi)

- Dış ünite bağlanmadan önce mevcut ısıtma devresi, mevcut kalıntıların ısıtma devresinden uzaklaştırmak için kimyasal olarak **TEMİZLENMELİDİR**.
- Kimyasal temizleyiciyi gidermek için sistemi durulayın.
- Tüm paketli model sistemleri ve split model ya da ek ısıtıcıya sahip PUMY sistemi için boruların ve sistem bileşenlerinin zarar görmesini önlemek için bir yavaşlatıcı ve antifriz çözeltisi karışımı ekleyin.
- Split model sistemleri için sorumlu montajcı, her yerin koşullarına yönelik olarak antifriz çözeltisinin gerekli olup olmadığına karar vermelidir. Yine de pas önleyici HER ZAMAN kullanılmalıdır.

Kimyasal temizlik maddeleri ve önleyiciler kullanırken her zaman üreticinin talimatlarına uyun ve ürünün su devresinde kullanılan malzemelere uygun olduğundan emin olun.

■ Ortam ısıtma/soğutma devresinde gerekli minimum su miktarı

Dış ısı pompası ünitesi	Ortalama/Sıcak ortam**		Soğuk ortam**		
	Su miktarı [L] içeren iç ünite	*Gerekli ilave su miktarı [L]	Su miktarı [L] içeren iç ünite	*Gerekli ilave su miktarı [L]	
Paketli model	5	5	5	PUZ-WM50	24
				PUZ-WM60	29
				PUZ-WM85	32
				PUZ-WM112	43
				PUZ-HWM140	55
Split model	5	5	5	SUZ-SWM40	12
				SUZ-SWM60	21
				SUZ-SWM80	29
				PUD-S(H)WM60	21
				PUD-S(H)WM80	29
				PUD-S(H)WM100	38
				PUD-S(H)WM120	47
				PUD-SHWM140	55
				PUHZ-FRP71	27
				PUHZ-SW75	27
				PUHZ-SW100	38
				PUHZ-SW120	47
				PUHZ-SHW80	29
				PUHZ-SHW112	43
				PUHZ-SHW140	55
				PUMY-P112	75
				PUMY-P125	75
PUMY-P140	75				

<Tablo 4.2.1>

* Bir saptırma devresi varsa yukarıdaki tablo, saptırma durumunda minimum su miktarı anlamına gelmektedir.

** İklim bölgenizi onaylamak için lütfen 2009/125/EC: Enerjiyle İlgili Ürünler Direktifi ve Düzenlemesi (AB) No 813/2013'e bakın.

Durum 1. Ana ve yardımcı devre arasında bölme yok

- Lütfen tablo 4.2.1'e göre su borusu ve radyatör ya da zeminin ısıtmadan geçecek biçimde gerekli su miktarını sağlayın.

Durum 2. Ayrı ana ve yardımcı devre

- Ana ve yardımcı pompanın birbirine kenetlenme işlemi kullanılmıyorsa lütfen sadece ana devrede tablo 4.2.1'e göre gerekli ilave suyu sağlayın.

- Ana ve yardımcı pompanın birbirine kenetlenme işlemi, kullanılıyorsa lütfen tablo 4.2.1'e göre ana ve yardımcı devrenin toplam su miktarını sağlayın.

Gerekli su miktarının eksikliği durumunda lütfen buffer tank takın.

4.3 Su Boru Hattı

■ Sıcak Su Boru Hattı

Silindir ünitesi BACASIZDIR. Bacasız sıcak su sistemleri monte edilirken yapı yönetmelikleri bölüm G3 (İngiltere ve Galler), P3 (İskoçya) ve P5'e (Kuzey İrlanda) bağlı kalmalıdır. Birleşik Krallığın dışındaysanız lütfen kendi ülkenizin bacasız sıcak su sistemi yönetmeliklerine bağlı kalın.

Kullanım suyu akışını boru A'ya bağlayın (Şekil 3.1).

Silindir ünitesinin güvenlik bileşenleri fonksiyonu montaj esnasında herhangi bir anormalliğe karşı kontrol edilmelidir;

- Basınç tahliye vanası (Ana devre ve Tank)
- Genleşme kabı ön dolumu (gaz dolum basıncı)

Sıcak suyun Güvenlik tertibatlarından güvenli boşaltılmasına ilişkin sonraki sayfalardaki talimatlara dikkatli şekilde uyulmalıdır.

- Boru hattı çok sıcak olacaktır bu yüzden yanıkların önlenmesi için yalıtılmalıdır.
- Boru hattı bağlanırken kalıntı veya benzeri yabancı maddelerin boruya girmediğinden emin olun.

■ Soğuk Su Boru Hattı

Uygun bağlantı elemanları kullanılıp boru B bağlanarak (Şekil 3.1) uygun soğuk su standardı (bkz. bölüm 4.2) sisteme uygulanmalıdır.

■ Negatif basıncı önleme

Kullanım suyu deposunu etkileyen negatif basıncı önlemek için tesisatçı uygun boru hattı takmalı veya uygun cihazlar kullanılmalıdır.

■ Hidrolik filtre çalışması (SADECE E*PT serisi)

Su girişine bir hidrolik filtre veya süzgeç (yerel tedarik) takın (Şek. 3.1'deki "Boru E")

■ Boru Hattı Bağlantıları

Silindir ünitesine olan bağlantılar, uygun görüldüğü şekilde 22 mm veya 28 mm sıkıştırma bağlantıları kullanılarak yapılmalıdır.

Kullanım suyu borularının sıkıştırma bağlantıları kullanarak bağlanırken **kullanım suyu borusu bakır bileziğini** (aksesuar parçası) boruların içine sokarak 0,75 ila 1,25 tur sıkın.

Bakır yüzüğün deformasyonuna ve olası sızıntılara neden olacağı için sıkıştırma bağlantılarını aşırı sıkımayın.

Not: Boruları sahada kaynaklamadan önce ıslak mendil vb. "ısı kalkanı" olarak kullanarak silindir ünitesindeki boruları koruyun.

■ Boruların İzolasyonu

- Gereksiz ısı kaybının ve yoğuşmanın önlenmesi için açtıkları tüm boruların izolasyonu yapılmalıdır. Yoğuşma suyunun silindir ünitesinin içerisine girmesinin önlenmesi için silindir ünitesinin üzerindeki boru ve bağlantıların izolasyonu dikkatli şekilde yapılmalıdır.
- Soğuk ve sıcak su boruları, istenmeyen ısı transferinin önlenmesi için mümkün olduğu yerlerde birbirine yakın döşenmemelidir.
- Dış ısı pompası ünitesi ile silindir ünitesi arasındaki boruların izolasyonu $\leq 0,04$ W/m.K termal iletkenliğe sahip uygun boru izolasyon malzemesi ile yapılmalıdır.

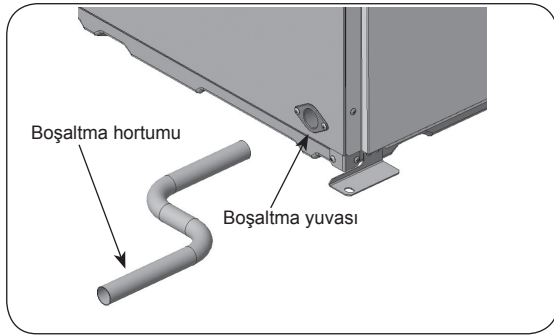
4 Montaj

■ Boruların Boşaltılması (SADECE ER serisi)

Boşaltma tavası monte edilmiş olduğu için isteğe bağlı parça "Boşaltma tavası standının" yapılması gerekmemektedir. Boşaltma işlemi, ünitenin sol arka tarafında bulunan boşaltma yuvasından yapılmalıdır.

Boşaltma borusu, soğutma modu esnasında oluşan yoğun suyunun boşaltılması için takılmalıdır.

- Kirli suyun doğrudan silindirik ünitesinin yanındaki zemine boşaltmasını önlemek için lütfen silindirik boşaltma tavasından gelen uygun bir boşaltma borusu takın.
- Bağlantıda sızıntının önlenmesi için boşaltma borusunu sıkıca takın.
- Suyun yerel olarak temin edilen boşaltma borusundan damlamasını önlemek için boşaltma borusunu sıkıca izole edin.
- Boşaltma borusunu 1/100 veya daha fazla bir eğimde takın.
- Boşaltma borusunu sülfürik gazın mevcut olduğu boşaltma kanalına yerleştirmeyin.
- Boşaltma borusunu taktıktan sonra suyu borunun çıkışından uygun boşaltma konumuna düzgün şekilde boşalttığını kontrol edin.



<Şekil 4.3.1>

<Montaj>

1. Boşaltma yuvası (iç çapı 26mm), silindirik ünitesinin sol arka tarafında bulunmaktadır. (Şekil 4.3.1)
 2. Boşaltma yuvasına uyan boşaltma borusunu (VP-20) polivinil klorür türünde bir yapıştırıcıyla sabitleyin.
 3. Boşaltma borusunu, yüzde birden daha fazla bir eğime sahip çıkışa yerleştirin.
- Not: Boşaltma borusunun boşaltma yuvasından çıkmasını önlemek için yerel olarak temin edilen boşaltma borusunu iyice destekleyin.



■ Genleşme Kaplarının Ebatlandırılması

Genleşme kabı hacmi, yerel sistem su hacmini karşılamalıdır.

Isıtma devresinin bir genleşme kabının ebatlandırılması için aşağıdaki formül ve grafik kullanılabilir.

Gerekli genleşme kabı hacmi, dahili bir genleşme kabının hacmini geçtiğinde genleşme kaplarının hacimlerinin toplamı gerekli genleşme kabı hacmini geçecek şekilde ilave bir genleşme kabı takın.

* Bir E**T***-M*ED* modelinin montajı için model, ana yan genleşme kabı takılı olarak **GELMEDİĞİNDEN** dolayı şantiyede uygun bir ana yan genleşme kabı ve ilave 3 bar dereceli basınç tahliye vanası tedarik ederek takın.

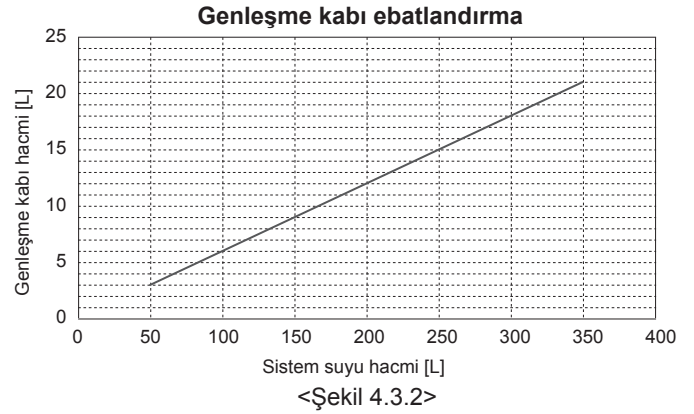
$$V = \frac{\epsilon \times G}{1 - \frac{P_1 + 0,098}{P_2 + 0,098}}$$

Harflerin anlamı;

- V : Gerekli genleşme kabı hacmi [L]
ε : Su genleşme katsayısı
G : Sistemdeki toplam su hacmi [L]
P₁ : Genleşme kabı ayar basıncı [MPa]
P₂ : Çalışma esnasındaki maks. basınç [MPa]

Aşağıdaki değerler sağ taraftaki grafik içindir

- ε : 70°C'de = 0,0229
P₁ : 0,1 MPa
P₂ : 0,3 MPa
*%30'luk bir güvenlik payı eklenmiştir.



4 Montaj

■ Su Sirkülasyon Pompasının Özellikleri

1. Ana devre

Pompa hızı, ana uzaktan kumanda ayarıyla seçilebilir (bkz. <Şekil 4.3.3 ila 4.3.7>).

Pompa hızı ayarını, ana devredeki akış hızı monte edilen dış ünite için uygun olacak şekilde yapın (bkz. Tablo 4.3.1). Ana devrenin uzunluğuna ve yüksekliğine bağlı olarak sisteme ilave bir pompanın eklenmesi gerekli olabilir.

<Tablo 4.3.1'de> listelenmeyen dış üniteli modeller için dış ünite Veri Kitapçığının özellikler tablosunda Su akış hızı aralığına bakın.

<İkinci pompa >

Montaj için ikinci bir pompa gerekirse lütfen aşağıdakileri dikkatli şekilde okuyun. Sistemde ikinci bir pompa kullanılacaksa 2 yolla konumlandırılabilir.

Pompanın konumu sinyal kablosunun, FTC'nin hangi terminaline bağlanması gerektiğini etkiler. İlave pompa/pompalar 1A'dan büyük akıma sahipse lütfen uygun röle kullanın. Pompa sinyal kablosu, TBO.1 1-2 veya CNP1'e bağlanabilir ancak her ikisine BAĞLANAMAZ.

Seçenek 1 (Sadece ortam ısıtma/soğutma)

İkinci pompa sadece ısıtma devresi için kullanılıyorsa bu durumda sinyal kablosu, TBO.1 terminaleri 3 ve 4'e (ÇIKIŞ2) takılmalıdır. Bu konumda pompa, silindirik ünitesinin dahili pompasından farklı bir devrede çalışabilir.

Seçenek 2 (Ana devre kullanım suyu ve ortam ısıtma/soğutma)

İkinci pompa, silindirik ünitesi ile dış ünite arasında ana devrede kullanılıyorsa (SADECE paketli sistem) bu durumda sinyal kablosu, TBO.1 terminaleri 1 ve 2'ye (ÇIKIŞ1) bağlanmalıdır. Bu konumda pompa hızı, silindirik ünitesinin dahili pompasının hızıyla EŞLEŞMELİDİR.

Not: 5.2 Çıkışların/Girişlerin bağlanması bölümüne bakın.

Dış ısı pompası ünitesi		Su akış hızı aralığı [L/dak.]
Paketli model	PUZ-WM50	6,5 - 14,3
	PUZ-WM60	8,6 - 17,2
	PUZ-WM85	10,8 - 24,4
	PUZ-WM112	14,4 - 32,1
	PUZ-HWM140	17,9 - 36,9
Split model	SUZ-SWM40	6,5 - 11,4
	SUZ-SWM60	7,2 - 17,2
	SUZ-SWM80	7,8 - 21,5
	PUD-S(H)WM60	9,0 - 22,9
	PUD-S(H)WM80	9,0 - 22,9
	PUD-S(H)WM100	14,3 - 34,4
	PUD-S(H)WM120	14,3 - 34,4
	PUD-SHW140	14,3 - 34,4
	PUHZ-FRP71	11,5 - 22,9
	PUHZ-SW75	10,2 - 22,9
	PUHZ-SW100	14,4 - 32,1
	PUHZ-SW120	20,1 - 36,9
	PUHZ-SHW80	10,2 - 22,9
	PUHZ-SHW112	14,4 - 32,1
	PUHZ-SHW140	17,9 - 36,9
PUMY-P112	17,9 - 35,8	
PUMY-P125	17,9 - 35,8	
PUMY-P140	17,9 - 35,8	

<Tablo 4.3.1>

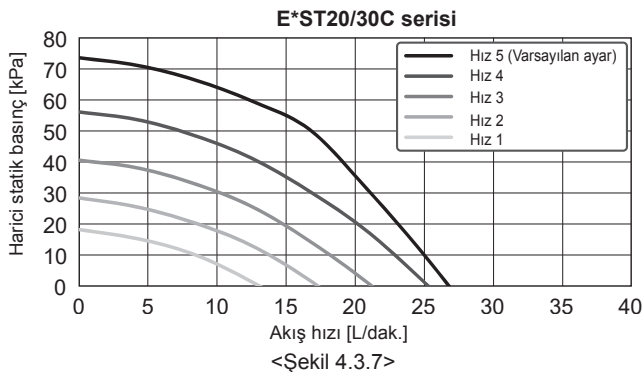
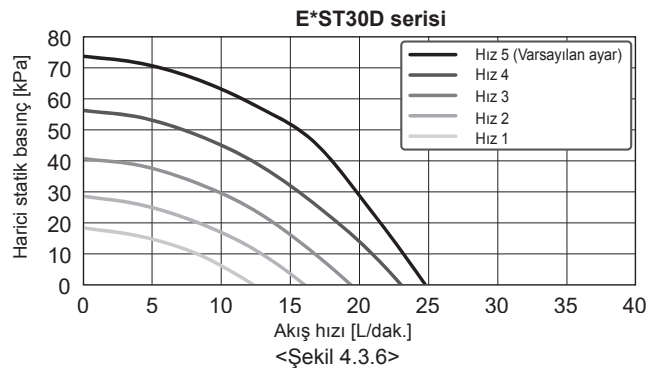
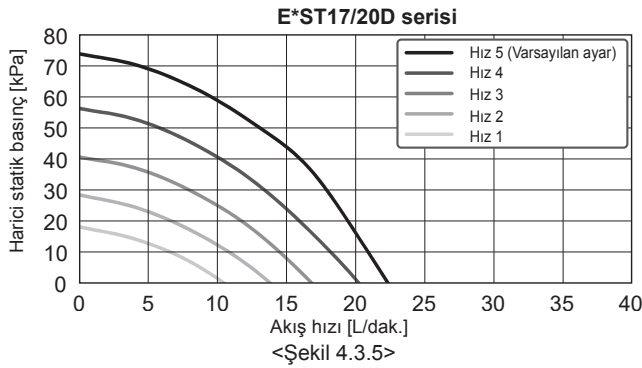
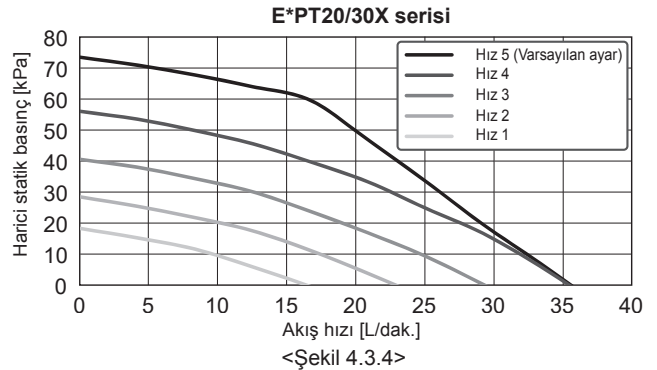
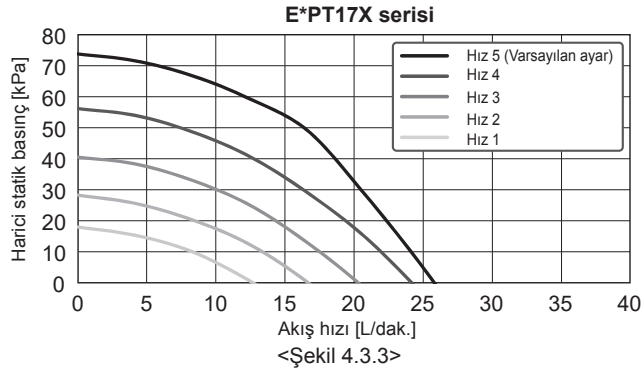
* Su akış hızı, akış sensörünün minimum akış hızı ayarından (varsayılan 5,0 L/dak.) düşüğe akış hızı hatası etkinleştirilir. Su akış hızı 36,9 L/dak. (E**T20/30 serisi) veya 25,8 L/dak. (E**T17 serisi) değerini geçerse akış hızı, boruları aşındırabilecek 2,0 m/san. değerinden büyük olacaktır.

2. Kullanma suyu devresi

Varsayılan ayar: Hız 2

DHW sirkülasyon pompası, hız 2 olarak ayarlanmış OLMALIDIR.

Su sirkülasyon pompasının özellikleri



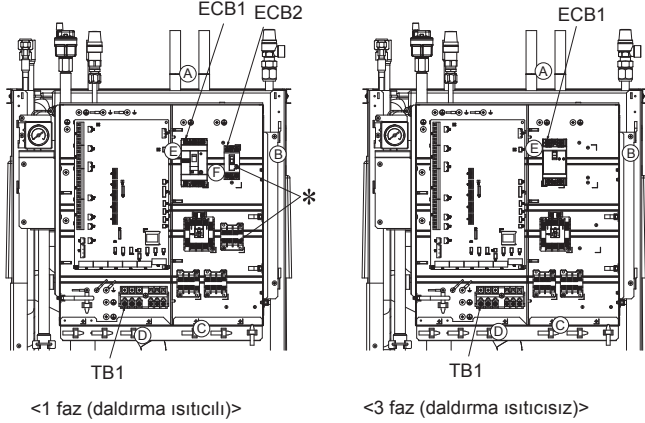
*E*PT serisinin montajı için pompasının hızını, harici statik basıncı dikkate alarak silindirik ünitesi ile dış ünite arasındaki basınç düşmesiyle ayarlayın.

4 Montaj

4.4 Elektrik Bağlantısı

Tüm elektrik işleri, uygun şekilde uzman bir teknisyen tarafından gerçekleştirilmelidir. Bu kurala uyulmaması elektrik çarpmasından dolayı ölüme, yangına ve ölüme neden olabilir. Ayrıca ürün garantisini de geçersiz kılar. Tüm elektrik tesisatı, ulusal tesisat yönetmeliğine göre olmalıdır.

Devre kesici kısaltması	Anlamı
ECB1	Ek ısıtıcı için toprak kaçağı devre kesicisi
ECB2	Daldırma ısıtıcı için toprak kaçağı devre kesicisi
TB1	Terminal bloğu 1



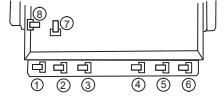
Silindir ünitesine elektrik iki yolla sağlanabilir.

1. Elektrik kablosu, dış üniteden silindir ünitesine çekilir.
2. Silindir ünitesi, bağımsız güç kaynağına sahiptir.

Bağlantılar, faza bağlı olarak sol aşağıdaki şekillerde gösterilen terminallere yapılmaktadır.

Ek ısıtıcı ve daldırma ısıtıcı, atanmış güç kaynaklarına birbirinden bağımsız olarak bağlanmalıdır.

- Yerel olarak tedarik edilen elektrik telleri, silindir ünitesinin üst kısmında bulunan girişlerin içine takılmalıdır. (<Tablo 3.4'e> bakın.)
- Elektrik telleri, kontrol ve elektrik kutusunun sağ tarafından aşağıya doğru ilerletilmeli ve verilen klipslerle yerlerine takılmalıdır.
- Elektrik telleri, aşağıdaki gibi ayrı olarak kablo girişlerinden sokulmalıdır.
 - Çıkış teli
 - İç-Dış tel
 - Elektrik kablosu (B.H.)/ Elektrik kablosu (I.H.) (İsteğe bağlı)
 - Sinyal giriş telleri
- Dış üniteyi bağlayın – silindir ünitesi bağlantı kablosu TB1'e.
- Ek ısıtıcının elektrik kablosunu ECB1'e bağlayın.
- Daldırma ısıtıcısı mevcutsa elektrik kablosunu ECB2'ye bağlayın.



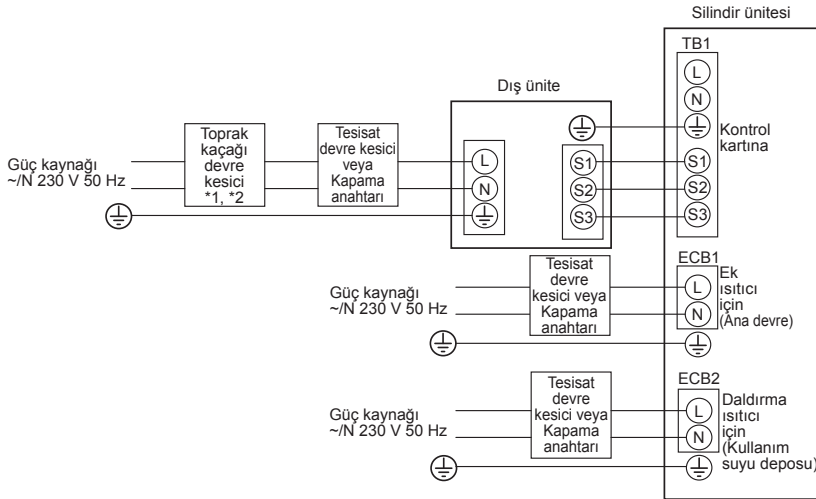
- Elektrik telleriyle parçaların arasındaki temastan kaçının (*).
- ECB1 ve ECB2'nin AÇIK olduğundan emin olun.
- Elektrik tesisatı tamamlandığında ana uzaktan kumanda kablosunun röle konektörüne bağlı olduğundan emin olun.

Dış ünite üzerinden elektrik sağlanmış silindir ünitesi

(Bağımsız bir kaynak kullanmak istiyorsanız Mitsubishi internet sitesine gidin.)

<1 faz>

Silindir ünitesi ve dış üniteler için her bağlantı şemasının yanında, kılavuzlara dahil olan etiket A'yı yapıştırmın.



<Şekil 4.4.1>
1 faz elektrik bağlantıları

- *1. Takılı toprak kaçağı devre kesicisi, bir aşırı akım koruma fonksiyonuna sahip değilse aynı elektrik kablosu boyunca bu fonksiyona sahip bir devre kesici takın.
- *2. Her kutupta en az 3,0 mm kontak ayırma aralığına sahip bir devre kesici kullanın (NV). Elektrik kaynağının tüm aktif faz kablolarının bağlantılarının kesilmesi için devre kesici sağlanmalıdır.
- *3. Maks. 45 m
2,5 mm² kullanılıyorsa Maks. 50 m
2,5 mm² kullanılıyor ve S3 ayrılmışsa Maks. 80 m
- *4. Yukarıdaki tabloda verilen değerler, her zaman toprak değerine dayalı olarak ölçülmez.

Tanım	Güç kaynağı	Kapasite	Şalter	Kablo
Ek ısıtıcı (Ana devre)	~N 230 V 50 Hz	2 kW	16 A *2	2,5 mm ²
		6 kW	32 A *2	6,0 mm ²
Daldırma ısıtıcı (Kullanım suyu deposu)	~N 230 V 50 Hz	3 kW	16 A *2	2,5 mm ²

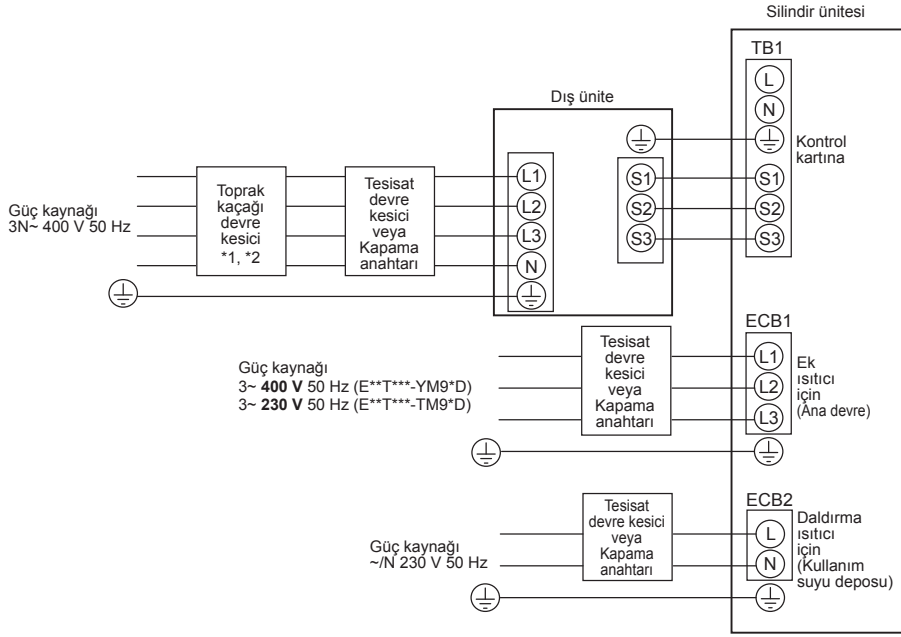
Kablo No. Kablo boyut x boyut (mm ²)	Silindir ünitesi - Dış ünite	*3	3 x 1,5 (kutup)
	Silindir ünitesi - Dış ünite toprak	*3	1 x Min. 1,5
Devre değeri	Silindir ünitesi - Dış ünite S1 - S2	*4	230 V AC
	Silindir ünitesi - Dış ünite S2 - S3	*4	24 V DC

- Not:
1. Kablo boyutu, yürürlükteki yerel ve ulusal yasalara uygun olmalıdır.
 2. İç ünite/Dış ünite bağlantı kabloları, polikloropren kılıflı bükülgen kablodan daha hafif olmamalıdır. (Tasarım 60245 IEC 57) İç ünite güç kaynağı kabloları, polikloropren kılıflı bükülgen kablodan daha hafif olmamalıdır. (Tasarım 60227 IEC 53)
 3. Diğer kablolardan daha uzun bir toprak kablosu takın.
 4. Lütfen her ısıtıcı için güç kaynağının yeterli çıkış kapasitesini koruyun. Yetersiz güç kaynağı kapasitesi ötme sesine neden olabilir.

4 Montaj

<3 faz>

Silindir ünitesi ve dış üniteler için her bağlantı şemasının yanında, kılavuzlara dahil olan etiket A'yı yapıştırın.



<Şekil 4.4.2>
3 faz elektrik bağlantıları

Tanım	Güç kaynağı	Kapasite (İç ünite Ref.)	Şalter	Kablo
Ek ısıtıcı (Ana devre)	3~ 400 V 50 Hz	9 kW	16 A *2	2,5 mm ²
	3~ 230 V 50 Hz	9 kW	32 A *2	6,0 mm ²
Daldırma ısıtıcı (Kullanım suyu deposu)	~N 230 V 50 Hz	3 kW	16 A *2	2,5 mm ²

Kablo No. Kablo No. x boyut (mm ²)	Silindir ünitesi - Dış ünite	*3	3 x 1,5 (kutup)
	Silindir ünitesi - Dış ünite toprak	*3	1 x Min. 1,5
Devre değeri	Silindir ünitesi - Dış ünite S1 - S2	*4	230 V AC
	Silindir ünitesi - Dış ünite S2 - S3	*4	24 V DC

- *1. Takılı toprak kaçağı devre kesicisi, bir aşırı akım koruma fonksiyonuna sahip değilse aynı elektrik kablosu boyunca bu fonksiyona sahip bir devre kesici takın.
- *2. Her kutupta en az 3,0 mm kontak ayırma aralığına sahip bir devre kesici sağlanmalıdır. Toprak kaçağı devre kesicisi kullanın (NV). Elektrik kaynağının tüm aktif faz kablolarının bağlantılarının kesilmesi için devre kesici sağlanmalıdır.
- *3. Maks. 45 m
2,5 mm² kullanılıyorsa Maks. 50 m
2,5 mm² kullanılıyor ve S3 ayrılmışsa Maks. 80 m
- *4. Yukarıdaki tabloda verilen değerler, her zaman toprak değerine dayalı olarak ölçülmez.

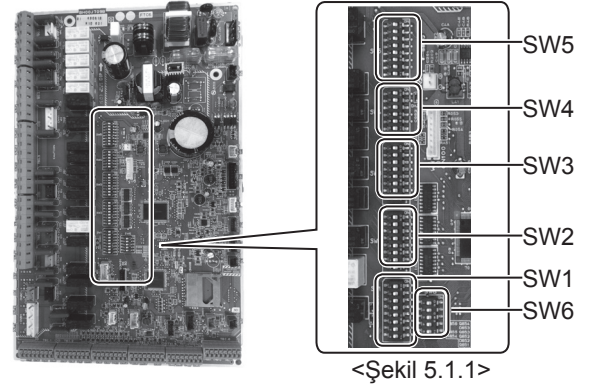
- Not:**
1. Kablo boyutu, yürürlükteki yerel ve ulusal yasalara uygun olmalıdır.
 2. İç ünite/Dış ünite bağlantı kabloları, polikloropren kılıflı bükülgen kablodan daha hafif olmamalıdır. (Tasarım 60245 IEC 57)
İç ünite güç kaynağı kabloları, polikloropren kılıflı bükülgen kablodan daha hafif olmamalıdır. (Tasarım 60227 IEC 53)
 3. Diğer kablolardan daha uzun bir toprak kablosu takın.
 4. Lütfen her ısıtıcı için güç kaynağının yeterli çıkış kapasitesini koruyun. Yetersiz güç kaynağı kapasitesi ötme sesine neden olabilir.

5 Sistem Ayarlama

5.1 DIP Anahtarı Fonksiyonları

DIP anahtar numarası, devre kartının üzerinde ilgili anahtarların yanında yazılıdır. AÇIK kelimesi, devre kartının üzerinde ve DIP anahtarı bloğunun kendisinde yazılıdır. Anahtarı hareket ettirmek için bir iğne veya ince bir metal cetvel veya benzeri bir nesnenin köşesini kullanmanız gerekecektir.

DIP anahtarı ayarları aşağıdaki Tablo 5.1.1'de listelenmektedir. Sadece yetkili bir elektrik tesisatçısı DIP anahtarı ayarını kendi sorumluluğunda montaj şartlarına göre değiştirebilir. Anahtar ayarlarını değiştirmeden önce hem iç ünitenin hem de dış ünitenin güç kaynaklarını kapattığınızdan emin olun.



<Şekil 5.1.1>

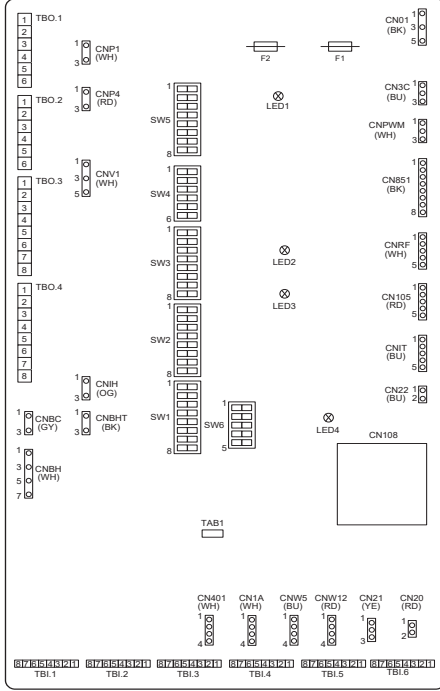
DIP anahtarı	İşlev	KAPALI	AÇIK	Varsayılan ayarlar: İç ünite modeli			
SW1	SW1-1 Kazan	Kazansız	Kazanlı	KAPALI			
	SW1-2 Isı pompası maksimum su çıkış sıcaklığı	55°C	60°C	AÇIK *1			
	SW1-3 Kullanım suyu deposu	Kullanım suyu deposuz	Kullanım suyu depolu	AÇIK			
	SW1-4 Daldırma ısıtıcı	Daldırma ısıtıcısız	Daldırma ısıtıcılı	KAPALI: Hariç EHPT20X-MHEDW AÇIK: EHPT20X-MHEDW			
	SW1-5 Ek ısıtıcı	Ek ısıtıcısız	Ek ısıtıcılı	KAPALI: E**T***-M*ED* AÇIK: E**T***-M 2/6/9*D			
	SW1-6 Ek ısıtıcı fonksiyonu	Sadece ısıtma için	Isıtma ve kullanım suyu için	KAPALI: E**T***-M*ED* AÇIK: E**T***-M 2/6/9*D			
	SW1-7 Dış ünite tipi	Split tip	Paketli tip	KAPALI: E*ST***-M**D AÇIK: E*PT**X-*M**D*			
	SW1-8 Kablosuz uzaktan kumanda	Kablosuz uzaktan kumandasız	Kablosuz uzaktan kumandalı	KAPALI			
SW2	SW2-1 Oda termostatı 1 girişi (IN1) mantık değişimi	Termostat kısa devresinde Bölüm1 çalışması durması	Termostat açıkta Bölüm1 işlemi durması	KAPALI			
	SW2-2 Akış anahtarı 1 girişi (IN2) mantık değişimi	Kısa devrede arıza algılama	Açıkta arıza algılama	KAPALI			
	SW2-3 Ek ısıtıcı kapasitesi kısıtlaması	Aktif değil	Aktif	KAPALI: Hariç E**T***-VM2*D AÇIK: E**T***-VM2*D			
	SW2-4 Soğutma modu fonksiyonu	Aktif değil	Aktif	KAPALI: EH*T***-M**D* AÇIK: ER*T***-M**D			
	SW2-5 Yedek ısı kaynağı çalışmasına otomatik geçiş (Dış ünite yanlışlıkla durduğunda)	Aktif değil	Aktif *2	KAPALI			
	SW2-6 Karışım deposu	Karışım deposuz	Karışım depolu	KAPALI			
	SW2-7 2 bölümlü sıcaklık kontrolü	Aktif değil	Aktif *6	KAPALI			
	SW2-8 Akış sensörü	Akış sensörsüz	Akış sensörlü	AÇIK			
SW3	SW3-1 Oda termostatı 2 girişi (IN6) mantık değişimi	Termostat kısa devresinde Bölüm2 çalışması durması	Termostat açıkta Bölüm2 işlemi durması	KAPALI			
	SW3-2 Akış anahtarı 2 ve 3 giriş mantık değişimi	Kısa devrede arıza algılama	Açıkta arıza algılama	KAPALI			
	SW3-3 3 yollu vana tipi	AC motor	Adımlı motor	KAPALI: E**T17X/17D/20D- *M**D* hariç AÇIK: E**T17X/17D/20D-*M**D			
	SW3-4 Elektrik enerji sayacı	Elektrik enerji sayaçsız	Elektrik enerji sayaçlı	KAPALI			
	SW3-5 Isıtma modu fonksiyonu *3	Aktif değil	Aktif	AÇIK			
	SW3-6 2 bölümlü vana AÇMA/KAPATMA kontrolü	Aktif değil	Aktif	KAPALI			
	SW3-7 Kullanım suyu için ısı eşanjörü	Depodaki bobin	Harici plaka HEX	AÇIK			
	SW3-8 Isı ölçer	Isı ölçersiz	Isı ölçerli	KAPALI			
SW4	SW4-1	—	—	KAPALI			
	SW4-2	—	—	KAPALI			
	SW4-3	—	—	KAPALI			
	SW4-4 Sadece iç ünite çalışması (montaj işi esnasında) *4	Aktif değil	Aktif	KAPALI			
	SW4-5 Acil durum modu (Sadece ısıtıcı çalışması)	Normal	Acil durum modu (Sadece ısıtıcı çalışması)	KAPALI *5			
	SW4-6 Acil durum modu (Kazan çalışması)	Normal	Acil durum modu (Kazan çalışması)	KAPALI *5			
SW5	SW5-1	—	—	KAPALI			
	SW5-2 Gelişmiş otomatik uyarılama	Aktif değil	Aktif	AÇIK			
	SW5-3	Kapasite kodu					
	SW5-4		SW5-3	SW5-4	SW5-5	SW5-6	SW5-7
	SW5-5	E**T**C-*M**D	AÇIK	AÇIK	AÇIK	AÇIK	KAPALI
	SW5-6	E**T**D-*M**D	AÇIK	KAPALI	KAPALI	AÇIK	KAPALI
	SW5-7	E**T**X-*M**D*	KAPALI	KAPALI	KAPALI	KAPALI	KAPALI
	SW5-8	—	—	—	—	—	KAPALI
SW6	SW6-1	—	—	KAPALI			
	SW6-2	—	—	KAPALI			
	SW6-3 Basınç sensörü	Aktif değil	Aktif	KAPALI: E*ST**D-*M**D hariç AÇIK: E*ST**D-*M**D			
	SW6-4 Analog çıkış sinyali (0-10 V)	Aktif değil	Aktif	KAPALI			
	SW6-5	—	—	—	KAPALI		

<Tablo 5.1.1>

- Not:
- *1. Silindir ünitesi, maksimum çıkış suyu sıcaklığı 55°C olan bir PUMY-P dış üniteye bağlandığında DIP SW1-2 KAPALI olarak değiştirilmelidir.
 - *2. Harici çıkış (OUT11) kullanılabilir olacaktır. Güvenlik nedenlerinden dolayı bu fonksiyon, bazı hatalardan kaynaklı kullanılamaz. (Bu durumda sistem çalışması durdurulmalıdır, sadece su sirkülasyon pompası çalışır kalır.)
 - *3. Bu anahtar, sadece silindir ünitesi bir PUHZ-FRP dış üniteye bağlandığında çalışır. Başka türde bir dış ünite bağlandığında ısıtma modu fonksiyonu, bu anahtar AÇIK veya KAPALI olmasına rağmen aktiftir.
 - *4. Ortam ısıtma ve kullanım suyu, sadece elektrikli bir ısıtıcı gibi iç üniteye yapılabilir. ("5.4 Sadece iç ünite çalışması" bölümüne bakın.)
 - *5. Acil durum moduna artık gerek kalmazsa anahtarı KAPALI konuma getirin.
 - *6. Sadece SW3-6 KAPALI olarak ayarlandığında aktif.

5 Sistem Ayarlama

5.2 Çıkışların/Girişlerin bağlanması



<Şekil 5.2.1>

Kablo özellikleri ve yerel tedarik parçaları

Madde	Ad	Model ve özellikleri
Sinyal giriş fonksiyonu	Sinyal giriş kablosu	Kılıflı vinil kaplamalı kordon veya kablo kullanın. Maks. 30 m Tel türü: CV, CVS veya muadili Tel boyutu: Bükülü tel 0,13 mm ² ile 0,52 mm ² Tekli tel: Ø0,4 mm ile Ø0,8 mm
	Anahtar	Voltajsız "a" kontak sinyalleri Uzaktan anahtar: minimum uygulanabilir yük 12 V DC, 1 mA

Not:

Bükülü tel, izolasyon kaplı bar terminal (DIN46228-4 standardı ile uyumlu tip) ile işleme tabi tutulmalıdır.

Sinyal girişleri

Ad	Terminal bloğu	Konnektör	Madde	KAPALI (Açık)	AÇIK (Kontak)
IN1	TBI.1 7-8	—	Oda termostatı 1 girişi *1	<5.1 DIP Anahtarı Fonksiyonları>	bölümündeki SW2-1'e bakın.
IN2	TBI.1 5-6	—	Akış anahtarı 1 girişi	<5.1 DIP Anahtarı Fonksiyonları>	bölümündeki SW2-2'ye bakın.
IN3	TBI.1 3-4	—	Akış anahtarı 2 girişi (Bölüm1)	<5.1 DIP Anahtarı Fonksiyonları>	bölümündeki SW3-2'ye bakın.
IN4	TBI.1 1-2	—	Talep kontrol girişi	Normal	Isı kaynağı KAPALI/ Kazan çalışması *3
IN5	TBI.2 7-8	—	Dış ortam termostatı girişi *2	Standart çalışma	Isıtıcı çalışması/ Kazan çalışması *3
IN6	TBI.2 5-6	—	Oda termostatı 2 girişi *1	<5.1 DIP Anahtarı Fonksiyonları>	bölümündeki SW3-1'e bakın.
IN7	TBI.2 3-4	—	Akış anahtarı 3 girişi (Bölüm2)	<5.1 DIP Anahtarı Fonksiyonları>	bölümündeki SW3-2'ye bakın.
IN8	TBI.3 7-8	—	Elektrik enerji sayacı 1	*4	
IN9	TBI.3 5-6	—	Elektrik enerji sayacı 2		
IN10	TBI.2 1-2	—	Isı ölçer	*5	
IN11	TBI.3 3-4	—	SG Ready Ayarı girişi		
IN12	TBI.3 1-2	—			
INA1	TBI.4 1-3	CN1A	Akış sensörü	—	—

*1. Oda termostatının AÇMA/KAPATMA döngü süresini 10 dakika veya daha uzun süreye ayarlayın; aksi takdirde kompresör hasar görebilir.

*2. Isıtıcıların kontrol işlemi için dış ortam termostat kullanılıyorsa ısıtıcıların ve ilgili parçaların kullanım süresi azalabilir.

*3. Kazanın çalışmasını başlatmak üzere servis menüsünden "Harici besleme ayarları" ekranında "Kazan"ı seçmek için ana uzaktan kumandayı kullanın.

*4. Bağlanabilir elektrik enerji sayacı ve ısı ölçer

- Pals türü FTC ile 12 VDC algılama için voltajsız kontak (TBI.2 1pin, TBI.3 5 ve 7 pin pozitif bir voltaja sahiptir.)
- Pals süresi Minimum AÇMA süresi: 40 ms
Minimum KAPATMA süresi: 100 ms
- Olası pals birimi 0,1 pals/kWh 1 pals/kWh 10 pals/kWh
100 pals/kWh 1000 pals/kWh

Bu değerler, ana uzaktan kumandayla ayarlanabilir. ("Ana uzaktan kumanda" bölümündeki menü ağacına başvurun.)

*5. AŞ hazır içinse "5.5 SG Ready Ayarı" bölümüne bakın.

Termistör girişleri

Ad	Terminal bloğu	Konnektör	Madde	İsteğe bağlı model
TH1	—	CN20	Termistör (Oda sıcakl.) (İsteğe bağlı)	PAC-SE41TS-E
TH2	—	CN21	Termistör (Ref. sıvı sıcakl.)	—
THW1	—	CNW12 1-2	Termistör (Akış suyu sıcakl.)	—
THW2	—	CNW12 3-4	Termistör (Dönüş suyu sıcakl.)	—
THW5A	—	CNW5 1-2	Termistör (Kullanım suyu deposu üst su sıcakl.)	—
THW5B	—	CNW5 3-4	Termistör (Kullanım suyu deposu alt su sıcakl.)	—
THW6	TBI.5 7-8	—	Termistör (Bölüm1 akış suyu sıcakl.) (İsteğe bağlı) *1	PAC-TH011-E
THW7	TBI.5 5-6	—	Termistör (Bölüm1 dönüş suyu sıcakl.) (İsteğe bağlı) *1	
THW8	TBI.5 3-4	—	Termistör (Bölüm2 akış suyu sıcakl.) (İsteğe bağlı) *1	PAC-TH011-E
THW9	TBI.5 1-2	—	Termistör (Bölüm2 dönüş suyu sıcakl.) (İsteğe bağlı) *1	
THWB1	TBI.6 7-8	—	Termistör (Kazan akış suyu sıcakl.) (İsteğe bağlı) *1	PAC-TH012HT-E(5 m/)
THW10	TBI.6 5-6	—	Termistör (Karışım deposu suyu sıcakl.) (İsteğe bağlı) *1	PAC-TH012HTL-E(30 m)

Termistör tellerini, elektrik hattından ve/veya OUT1 ile 16 tellerinden uzak olarak geçirdiğinizden emin olun.

*1. Termistör telinin maksimum uzunluğu 30 m'dir.

İsteğe bağlı termistörlerin uzunluğu 5 m'dir. Telleri eklemeniz veya uzatmanız gerekiyorsa aşağıdaki noktalar gerçekleştirilmelidir.

1) Telleri lehimleyerek bağlayın.

2) Her bağlantı noktasını toza ve suya karşı izole edin. Bükülü tel, izolasyon kaplı bar terminal (DIN46228-4 standardı ile uyumlu tip) ile işleme tabi tutulmalıdır.

5 Sistem Ayarlama

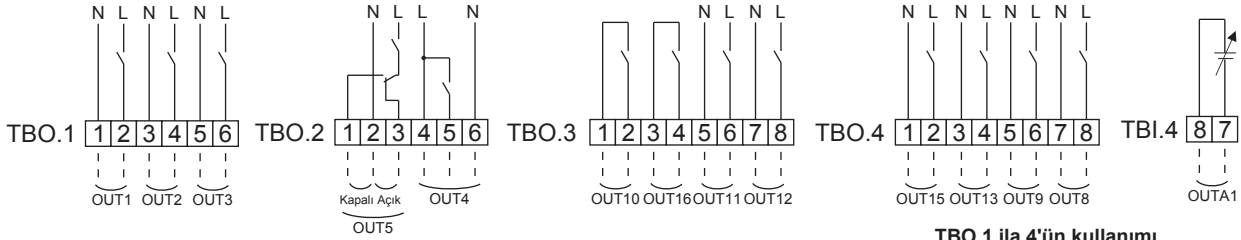
Çıkışlar

Ad	Terminal bloğu	Konnektör	Madde	KAPALI	AÇIK	Sinyal/Maks. akım	Maks. toplam akım
OUT1	TBO.1 1-2	CNP1	Su sirkülasyon pompası 1 çıkışı (Ortam ısıtma/soğutma ve kullanım suyu)	KAPALI	AÇIK	230 V AC 1,0 A Maks. (Ani akım 40 A Maks.)	4,0 A (a)
OUT2	TBO.1 3-4	—	Su sirkülasyon pompası 2 çıkışı (Ortam ısıtma/soğutma ve Bölüm1)	KAPALI	AÇIK	230 V AC 1,0 A Maks. (Ani akım 40 A Maks.)	
OUT3	TBO.1 5-6	—	Su sirkülasyon pompası 3 çıkışı (Ortam ısıtma/soğutma ve Bölüm2) *1 2 yollu vana 2b çıkışı *2	KAPALI	AÇIK	230 V AC 1,0 A Maks. (Ani akım 40 A Maks.)	
OUT14	—	CNP4	Su sirkülasyon pompası 4 çıkışı (Kullanım suyu)	KAPALI	AÇIK	230 V AC 1,0 A Maks. (Ani akım 40 A Maks.)	
OUT4	TBO.2 4-6	CNV1	3 yollu vana (2 yollu vana) çıkışı	Isıtma	Kullanım suyu	230 V AC 0,1 A Maks.	3,0 A (b)
	—	CN851	3 yollu vana çıkışı				
OUT5	TBO.2 1-2	—	Karışım vanası çıkışı *1	Durdur	Kapalı	230 V AC 0,1 A Maks.	
	TBO.2 2-3	—			Açık		
OUT6	—	CNBH 1-3	Ek ısıtıcı 1 çıkışı	KAPALI	AÇIK	230 V AC 0,5 A Maks. (Röle)	
OUT7	—	CNBH 5-7	Ek ısıtıcı 2 çıkışı	KAPALI	AÇIK	230 V AC 0,5 A Maks. (Röle)	
OUT8	TBO.4 7-8	—	Soğutma sinyali çıkışı	KAPALI	AÇIK	230 V AC 0,5 A Maks.	
OUT9	TBO.4 5-6	CNIH	Daldırma ısıtıcı çıkışı	KAPALI	AÇIK	230 V AC 0,5 A Maks. (Röle)	
OUT11	TBO.3 5-6	—	Hata çıkışı	Normal	Hata	230 V AC 0,5 A Maks.	
OUT12	TBO.3 7-8	—	Buz çözme çıkışı	Normal	Buz çözme	230 V AC 0,5 A Maks.	
OUT13	TBO.4 3-4	—	2 yollu vana 2a çıkışı *2	KAPALI	AÇIK	230 V AC 0,1 A Maks.	
OUT15	TBO.4 1-2	—	Basınç AÇIK sinyali	KAPALI	AÇIK	230 V AC 0,5 A Maks.	
OUT10	TBO.3 1-2	—	Kazan çıkışı	KAPALI	AÇIK	voltajsız kontak ·220-240 V AC (30 V DC) 0,5 A veya daha az	—
OUT16	TBO.3 3-4	—	Isıtma/Soğutma termo AÇIK sinyali	KAPALI	AÇIK	·10 mA 5 V DC veya daha fazla	
OUTA1	TBI.4 7-8	—	Analog çıkış	0 - 10 V		0 - 10 V DC 5 mA maks.	—

"Terminal bloğu" alanında "—" olarak gösterilen terminallere bağlantı yapmayın.

*1 2 bölümlü sıcaklık kontrolü.

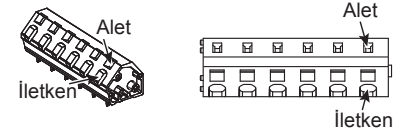
*2 2 bölümlü vana AÇMA/KAPATMA kontrolü için.



TBO.1 ile 4'ün kullanımı

Kablo özellikleri ve yerel tedarik parçaları

Madde	Ad	Model ve özellikleri
Harici çıkış fonksiyonu	Çıkış telleri	Kılıflı vinil kaplamalı kordon veya kablo kullanın. Maks. 30 m Tel türü: CV, CVS veya muadili Tel boyutu: Bükülü tel 0,25 mm ² ile 1,5 mm ² Tekli tel: Ø0,57 mm ile Ø1,2 mm



Aşağıda gösterildiği gibi iki yoldan birini kullanarak bağlayın.
<Şekil 5.2.2>

Not:

- Silindir ünitesine dış ünite üzerinden elektrik sağlandığında (a)+(b)'nin maksimum genel akım toplamı 3,0 A'dır.
- Her çıkışa (OUT1, OUT2 ve OUT3) doğrudan birden fazla su sirkülasyon pompası bağlamayın. Böyle bir durumda sirkülasyon pompalarını bir röle/röleler ile bağlayın.
- Su sirkülasyon pompalarını hem TBO.1 1-2 hem de CNP1'e aynı anda bağlamayın.
- Mekandaki yüke bağlı olarak uygun bir aşırı gerilim emiciyi OUT10'a (TBO.3 1-2) bağlayın.
- Bükülü tel, izolasyon kaplı bar terminal (DIN46228-4 standardı ile uyumlu tip) ile işleme tabi tutulmalıdır.
- OUTA1 teli için Sinyal giriş teli olarak aynı şeyi kullanın.

5.3 2 bölümlü sıcaklık kontrolü bağlantısı

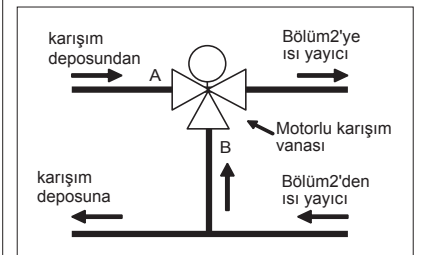
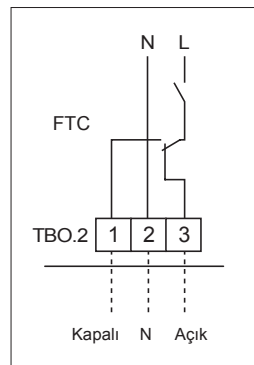
Boruları ve yerel olarak tedarik edilen parçaları, bu kılavuzun 3. Bölümünde "Yerel sistem"de gösterilen ilgili devre şemasına göre bağlayın.

<Karışım vanası>

Sinyal hattını açık Port A (sıcak su giriş yuvası) TBO'ya bağlayın. 2-3 (Açık), açık Port B (soğuk su giriş yuvası) TBO'ya giden sinyal hattı. 2-1 (Kapalı) ve TBO'ya giden nötr terminali. 2-2 (N).

<Termistör>

- Karışım deposuna termistörler monte etmeyin.
- Karışım vanasının yakınına Bölüm2 akış sıcakl. termistörü (THW8) monte edin.
- Termistör telinin maksimum uzunluğu 30 m'dir.
- İsteğe bağlı termistörlerin uzunluğu 5 m'dir. elleri eklemeniz veya uzatmanız gerekiyorsa aşağıdaki noktalar gerçekleştirilmelidir.
 - Telleri lehimleyerek bağlayın.
 - Her bağlantı noktasını toza ve suya karşı izole edin.



5 Sistem Ayarlama

5.4 Sadece iç ünite çalışması (montaj işi esnasında)

Dış ünitenin bağlanmasından önce; ör. montaj çalışması esnasında kullanım suyunun veya ısıtma kullanımının gerekli olması durumunda, iç ünite (*1) bir elektrik ısıtıcısı kullanılabilir.

*1 Sadece elektrikli ısıtıcı model.

1. İşleme başlamak için

- İç ünite güç kaynağının KAPALI olup olmadığını kontrol edin ve DIP anahtarı 4-4 ve 4-5'i AÇIN.
- İç ünite güç kaynağını AÇIN.

2. İşlemi sonlandırmak için*2

- İç ünite güç kaynağını KAPATIN.
- DIP anahtarı 4-4 ve 4-5'i KAPATIN.

*2 Sadece iç ünite çalışması sona erdiğinde dış ünite bağlandıktan sonra ayarları kontrol edin.

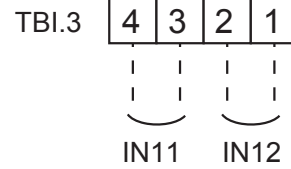
Not:

Bu işlemin uzun çalışması elektrikli ısıtıcının kullanım süresini etkiler.

5.5 SG Ready Ayarı

Kullanım suyu veya ısıtma kullanımında aşağıdaki tabloda yer alan komutlar kullanılır.

IN11	IN12	Anlamı
KAPALI (Açık)	KAPALI (Açık)	Normal kullanım
AÇIK (kontak)	KAPALI (Açık)	Açma önerisi
KAPALI (Açık)	AÇIK (kontak)	Kapatma komutu
AÇIK (kontak)	AÇIK (kontak)	Açma komutu



5.6 SD bellek kartının kullanılması

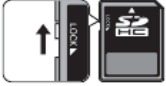
Silindir ünitesinde FTC'de bir SD bellek kartı arabirimi bulunur.

Bir SD bellek kartı kullanmak, ana uzaktan kumanda ayarlarını kolaylaştırabilir ve işlem günlükleri saklanabilir. *1

*1 Ana uzaktan kumanda ayarlarını düzenlemek veya işlem verilerini kontrol etmek için bir Ecodan servis aracı (Bilgisayarla kullanmak için) gereklidir.

<Kullanımla ilgili önlemler>

- (1) SD standartlarına uygun bir SD bellek kartı kullanın. SD bellek kartının üzerinde sağ tarafta gösterilen logolardan birinin olduğunu kontrol edin.
- (2) SD standartlarına göre SD bellek kartları SD, SDHC, mini SD, micro SD ve micro SDHC bellek kartlarını içerir. Kapasiteler, 32 GB'a kadar mevcuttur. İzin verilen maksimum 55°C'lik sıcaklığı seçin.
- (3) SD bellek kartı, bir mini SD, mini SDHC, micro SD veya micro SDHC bellek kartı kartıysa bir SD bellek kartı dönüştürücü adaptörü kullanın.
- (4) SD bellek kartının üzerine yazmadan önce yazma koruması düğmesini açın.



- (5) Bir SD bellek kartını takmadan veya çıkarmadan önce sistemi kapattığınızdan emin olun. Sistem açıkken bir SD bellek kartı takılır veya çıkarılırsa kayıtlı veriler bozulabilir veya SD bellek kartı zarar görebilir.
*Bir SD bellek kartı, sistem kapatıldıktan sonra kısa bir süre elektrikli yüklü kalır. Takmadan veya çıkarmadan önce FTC kontrol kartının üzerinde bulunan LED lambaların tamamı sönene kadar bekleyin.
- (6) Okuma ve yazma işlemleri, aşağıdaki SD bellek kartları kullanılarak doğrulanmıştır yine de bu SD bellek kartlarının özellikleri değişebileceği için bu işlemler her zaman garanti edilmez.

- (7) SD bellek kartının üreticisinin talimatlarını ve gerekliliklerini takip ettiğinizden emin olun.
- (8) (6). adımda okunamadığı tespit edilirse SD bellek kartını biçimlendirin. Bu işlem kartı okunabilir hale getirir.
Aşağıdaki siteden bir SD kart biçimlendirme programı indirin.
SD Dernek ana sayfası: <https://www.sdcard.org/home/>
- (9) FTC FAT dosya sistemini destekler ancak NTFS dosya sistemini desteklemez.
- (10) Mitsubishi Electric, bir SD bellek kartına yazma hatası ve kaydedilen verilerin bozulması ve kaybolması veya benzeri dahil olmak üzere hasarlara karşı kısmen veya tamamen sorumlu değildir. Kaydedilmiş verileri gerektiği gibi yedekleyin.
- (11) Bir SD bellek kartını takarken veya çıkarırken FTC kontrol kartındaki hiçbir elektronik parçaya dokunmayın aksi takdirde kontrol kartı arızalanabilir.

Logolar



Kapasiteler

2 GB ila 32 GB *2

SD hız sınıfları

Tümü

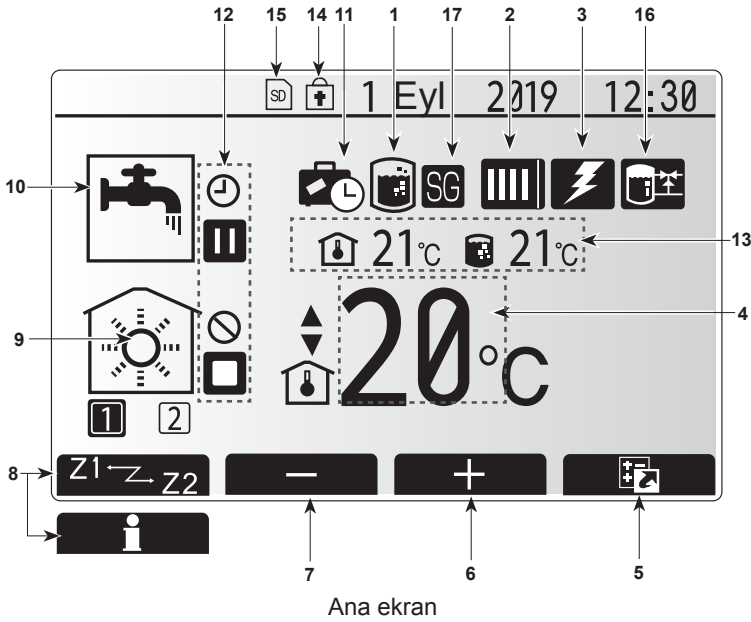
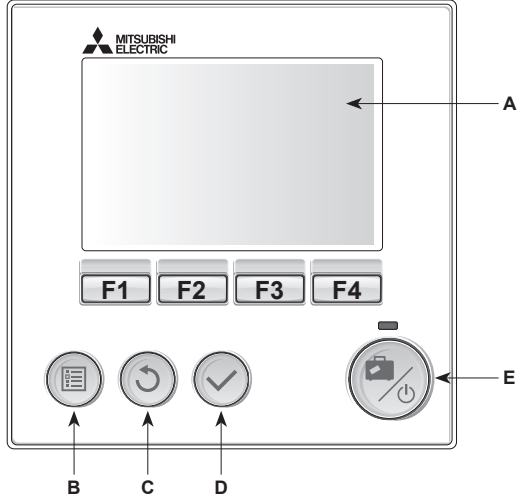
- SD Logosu, SD-3C, LLC'nin ticari markasıdır.
- mini SD logosu, SD-3C, LLC'nin ticari markasıdır.
- micro SD logosu, SD-3C, LLC'nin ticari markasıdır.

*2 Bir 2 GB SD bellek kartı, 30 güne kadar işlem günlüklerini saklar.

5 Sistem Ayarlama

5.7 Ana uzaktan kumanda

Isıtma/soğutma sisteminizin ayarlarını değiştirmek için silindir ünitesinin veya hydrobox'un ön panelinde bulunan ana uzaktan kumandayı kullanın. Aşağıda, ana ayarların görüntülenmesiyle ilgili bir kılavuz verilmiştir. Daha fazla bilgiye ihtiyacınız olursa tesisatçınıza veya yerel Mitsubishi Electric bayinize danışın. Soğutma modu sadece ERS serileri için kullanılabilir. Ancak, Soğutma modu sadece iç mekan ünitesi PUHZ-FRP'ye bağlı olduğunda kullanılamaz.



<Ana uzaktan kumandanın parçaları>

Harf	Ad	İşlev
A	Ekran	Tüm bilgilerin gösterildiği ekrandır
B	Menü	İlk kurulum ve değişiklikler için sistem ayarlarına erişim sağlar.
C	Geri	Önceki menüye geri döner.
D	Onayla	Seçim yapmak veya kaydetmek için kullanılır. (Enter tuşu)
E	Güç/Tatil	Sistem kapalıyken bir kez basmak sistemi tekrar AÇAR. Sistem açıkken tekrar basmak Tatil Modunu etkinleştirir. Düşmeye 3 saniye basılı tutmak sistemi tekrar kapatır. (*1)
F1-4	Fonksiyon tuşları	Menüde gezinmek ve ayarları belirlemek için kullanılır. Fonksiyon, A ekranında görünen menü ekranında belirlenir.

*1

Sistem kapalıyken veya güç kaynağının bağlantısı kesildiğinde silindir ünitesinin koruma işlevleri (donma durumu işlevi gibi) ÇALIŞMAZ. Bu güvenlik işlevleri etkinleştirilmeden silindir ünitesinin zarar görebileceğini unutmayın.

<Ana ekran simgeleri>

Simges	Simge	Tanım
1	Lejyoner önleme	Bu simge gösterilirse "Lejyoner önleme modu" etkindir.
2	Isı pompası	"Isı pompası" çalışıyor.
		Buz çözme
		Acil durum ısıtma
		"Sessiz mod" aktiftir.
3	Elektrikli ısıtıcı	Bu simge gösterildiğinde "Elektrikli ısıtıcılar" (güçlendirici veya daldırma ısıtıcı) kullanımdadır.
4	Hedef sıcaklık	Hedef akış sıcaklığı
		Hedef oda sıcaklığı
		Telif eğrisi
5	SEÇENEK	Bu simgenin altındaki fonksiyon tuşuna basıldığında seçenek ekranı gösterilir.
6	+	İstenen sıcaklığı artırır.
7	-	İstenen sıcaklığı azaltır.
8	Z1 Z2	Bu simgenin altındaki fonksiyon tuşuna basıldığında Bölüm1 ve Bölüm2 arasında geçiş yapılır.
	Bilgi	Bu simgenin altındaki fonksiyon tuşuna basıldığında bilgi ekranı gösterilir.
9	Ortam ısıtma/soğutma modu	Isıtma modu Bölüm1 veya Bölüm2
		Soğutma modu Bölüm1 veya Bölüm2
10	Kullanım suyu modu	Normal veya EKO modu
11	Tatil modu	Bu simge gösterildiğinde "Tatil modu" etkindir.
12	Zamanlayıcı	
	Yasaklı	
	Sunucu denetimi	
	Bekleme	
	Bekleme (*2)	
	Durdur	
	Kullanımda	
13	Geçerli sıcaklık	Geçerli oda sıcaklığı
		Kullanım suyu deposunun geçerli su sıcaklığı
14	Menü düğmesi kilittir veya kullanım modlarının Kullanım Suyu ve Isıtma kullanımları arasında değiştirilmesi Seçenek ekranında devre dışı bırakılır>(*3)	
15	SD bellek kartı takılıdır. Normal kullanım.	
		SD bellek kartı takılıdır. Anormal kullanım.
16	Buffer tank kontrolü	Bu simge gösterilirse "Buffer tank kontrolü" etkindir.
17	SG Ready Ayarı	Bu simge gösterilirse "SG Ready Ayarı" etkindir.

*2 Diğer üniteler öncelikli olarak kullanımdayken bu ünite Beklemededir.

*3 Menüye kilitlemek veya açmak için GERİ ve ONAYLA tuşlarına 3 saniye boyunca aynı anda basılı tutun.

5 Sistem Ayarlama

■ [İlk Ayar Sihirbazı]

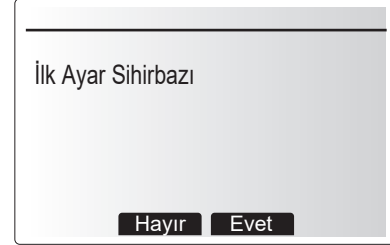
Ana uzaktan kumanda ilk defa açıldığında ekran sırasıyla otomatik olarak Dil ayarı ekranına, Tarih/Zaman ayarı ekranına ve Ana ayarlar ekranına gider. Fonksiyon tuşlarını kullanarak istediğiniz sayıyı girin ve ONAYLA düğmesine basın.

Not:

<ISITICI KAPASİTESİ KISITLAMASI>

Bu ayar, ek ısıtıcı kapasitesini kısıtlar. Başlatıldıktan sonra ayarın değiştirilmesi mümkün DEĞİLDİR. Ülkenizde herhangi bir özel gereklilik yoksa (bina yönetmelikleri gibi) bu ayarı atlayın ("Hayır"ı seçin).

- [Kullanım sıcak suyu (DHW/Lejyoner)]
- [Isıtma]/[Soğutma]
- [Kullanım Modu (AÇIK/Yasaklı/Zamanlayıcı)]
- [Pompa hızı]
- [Isı Pompası Debi Aralığı]
- [Karışım vanası kontrolü]
- [ELEK.Lİ ISITICI LİMİTLEME]



■ Ana Ayarlar Menüsü

Ana ayarlar menüsüne MENÜ düğmesine basılarak ulaşılabilir. Deneyimsiz son kullanıcıların ayarları yanlışlıkla değiştirme tehlikesini azaltmak için ana ayarlara iki erişim seviyesi mevcuttur ve servis bölümü menüsü şifre korumalıdır.

Kullanıcı Seviyesi – Kısa basıs

MENÜ düğmesine bir kez kısa bir süre basılırsa ana ayarlar, görüntülenir ancak düzenleme fonksiyonu olmaz. Bu, kullanıcının mevcut ayarları görmesini ancak parametreleri DEĞİŞTİREMESİNİ sağlar.

Tesisatçı Seviyesi – Uzun basıs

MENÜ düğmesine 3 saniye süreyle basılırsa ana ayarlar, görüntülenir ve tüm fonksiyonlar kullanılabilir.

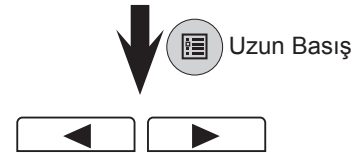
◀▶ düğmelerinin rengi sağdaki resimde olduğu gibi tersine çevrilir. <Şek. 5.7.1>

Aşağıdaki öğeler görülebilir ve/veya düzenlenebilir (erişim seviyesine bağlı olarak).

- [Kullanım suyu (DHW)]
- [Isıtma/Soğutma]
- [Programlama zamanlayıcısı]
- [Tatil modu]
- [Başlangıç ayarları]
- [Servis] (Şifre korumalı)



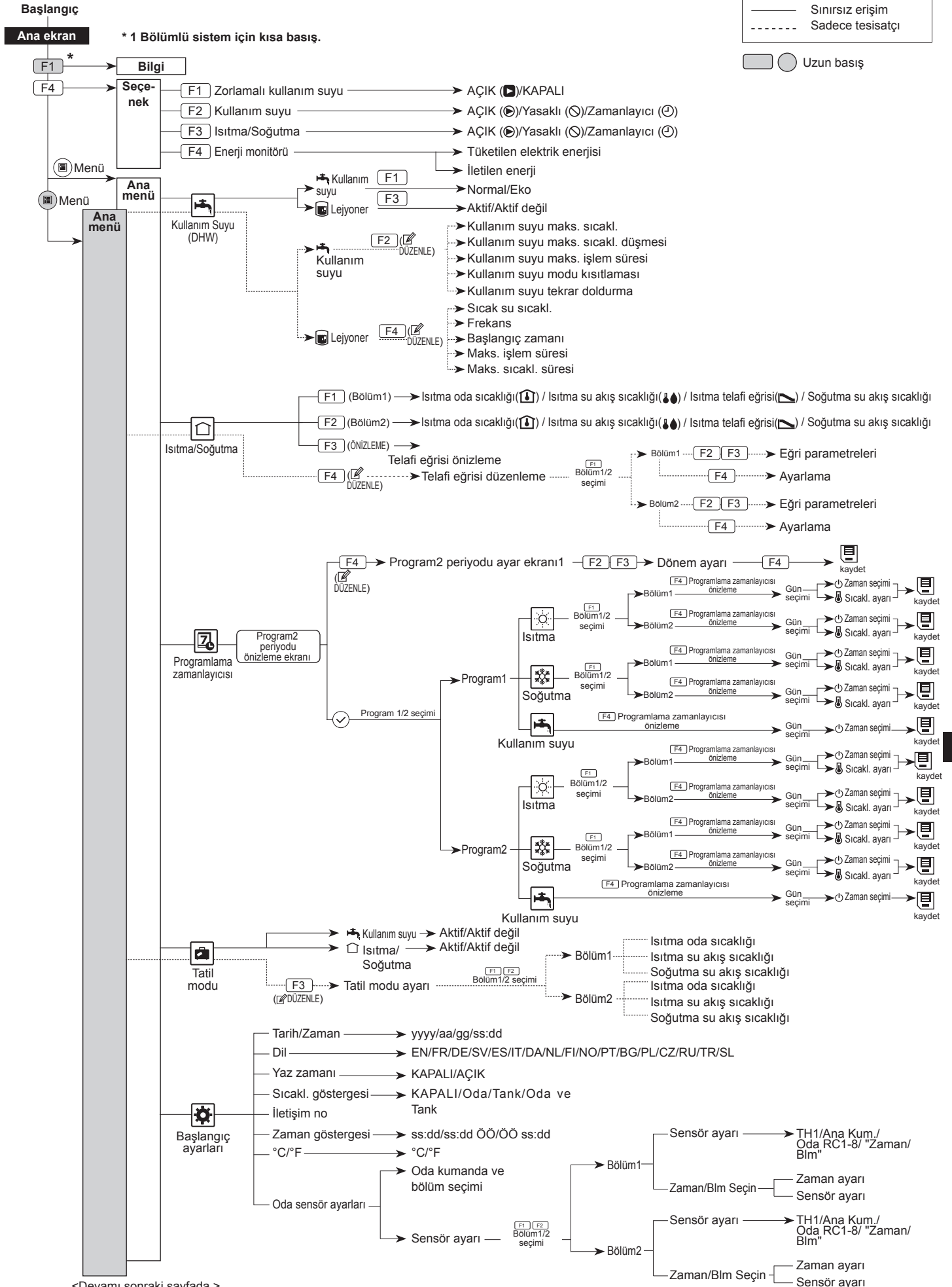
Ana menü



<Şek 5.7.1>

5 Sistem Ayarlama

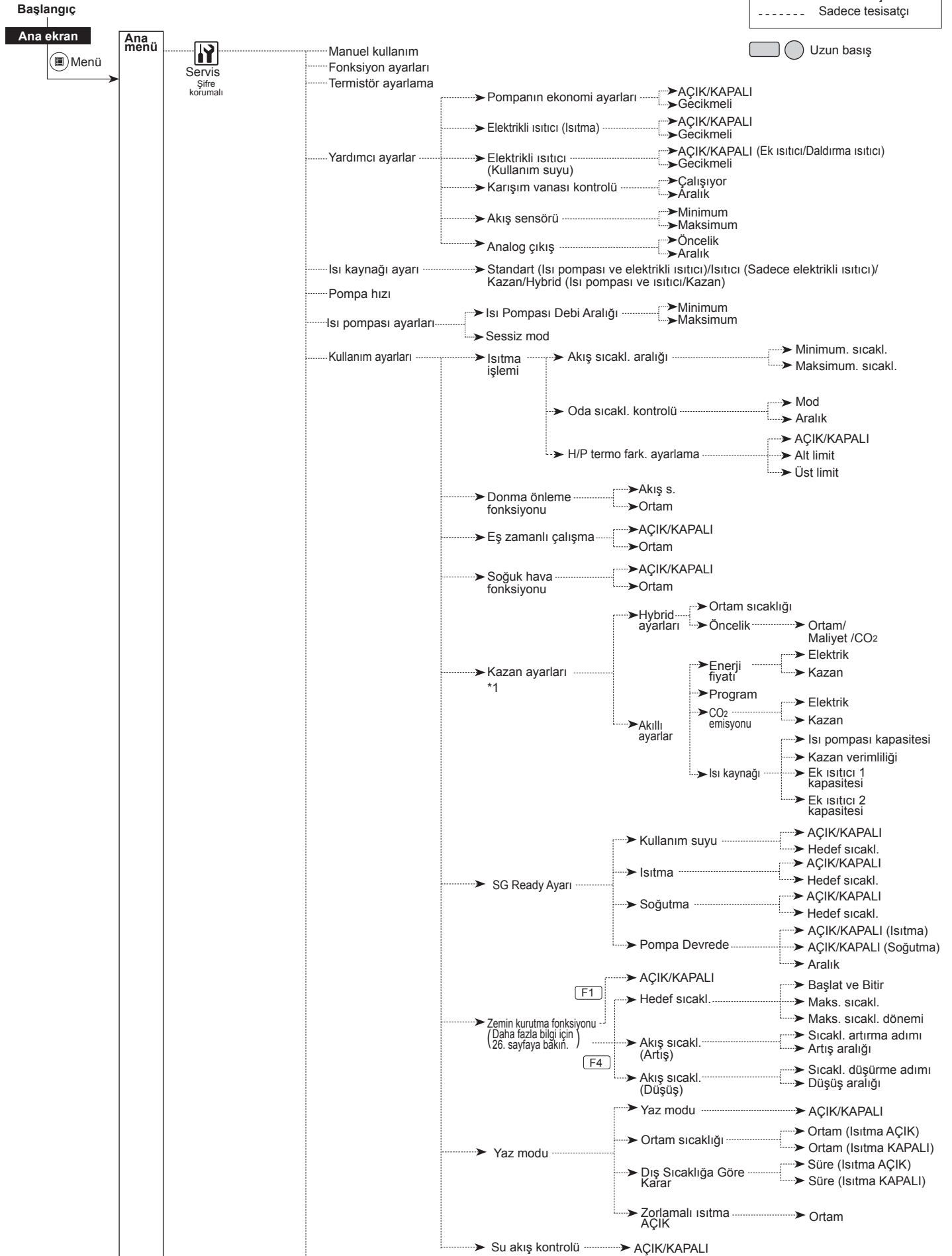
<Ana Kontrolör Menü Ağacı>



5 Sistem Ayarlama

<Önceki sayfadan devam ediyor.>

<Ana Kontrolör Menü Ağacı>

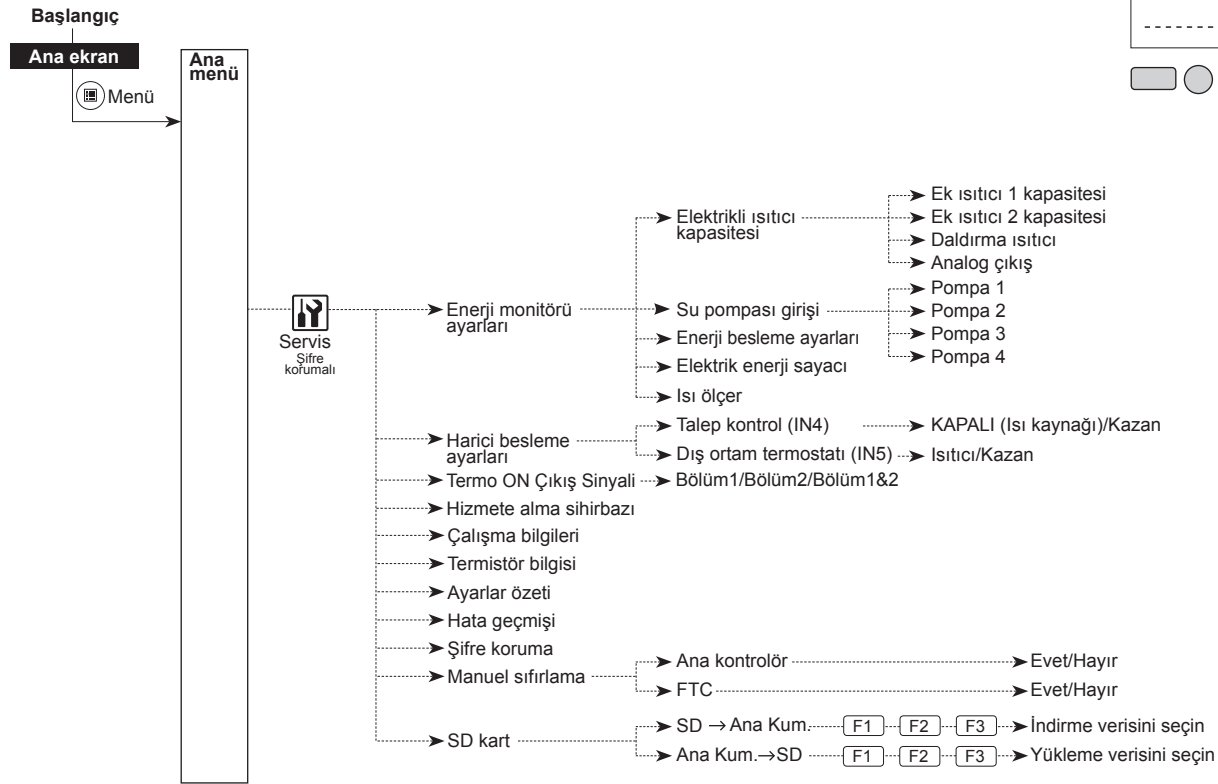


*1 Daha fazla bilgi için PAC-TH012HT-(L)E kurulum kılavuzuna bakın.

5 Sistem Ayarlama

<Önceki sayfadan devam ediyor.>

<Ana Kontrolör Menü Ağacı>

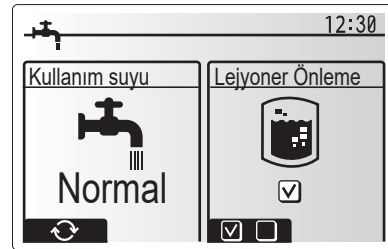


Kullanım suyu (DHW)/Lejyoner Önleme

Kullanım suyu ve lejyoner önleme menüleri kullanım suyu deposu ısıtma işlemini kontrol eder.

<Kullanım suyu modu ayarları>

1. Sıcak su simgesini vurgulayın ve ONAYLA düğmesine basın.
2. Normal ve EKO ısıtma modları arasında geçiş yapmak için F1 düğmesini kullanın.
3. Modu düzenlemek için MENÜ düğmesine 3 saniye süreyle basın ardından "sıcak su"yu seçin.
4. KULLANIM SUYU (DHW) AYARI menüsünü görüntülemek için F2 tuşuna basın.
5. ONAY düğmesine basarak sırayla her bileşeni seçen menüde gezinmek için F2 ve F3 tuşlarını kullanın. Her ayarın açıklaması için aşağıdaki tabloya bakın.
6. Fonksiyon tuşlarını kullanarak istediğiniz sayıyı girin ve ONAYLA düğmesine basın.



Menü alt başlıkları	İşlev	Aralık	Birim	Varsayılan değer
Kullanım suyu maks. sıcakl.	Depolanan sıcak suyun istenen sıcaklığı	40 - 60	°C	50
Kullanım suyu maks. sıcakl. düşmesi	Kullanım suyu maks. sıcakl. ile kullanım suyunun modunun yeniden başlayacağı sıcaklık arasındaki fark	5 - 30 *	°C	10
Kullanım suyu maks. işlem süresi	Depolanan su ısıtma kullanım suyu modu için izin verilen maks. süre	30 - 120	dak.	60
Kullanım suyu modu kısıtlaması	Ortam ısıtma, kullanım suyu moduna göre geçici olarak önceliğe sahip olduğunda daha fazla depolanmış su ısıtmasını önleyen kullanım suyu modundan sonraki zaman aralığı (Sadece kullanım suyu maks. işlem süresi geçtiğinde.)	30 - 120	dak.	30

* Kullanım suyu maks. sıcakl. 55°C değerinin üzerine ayarlandığında kullanım suyu modunun yeniden başlayacağı sıcaklık, cihazın korunması için 50°C'den daha az olmalıdır.

<Eko modu>

Kullanım suyu modu "Normal" veya "Eko" modda çalışabilir. Normal mod, ısı pompasının tam gücünü kullanarak kullanım suyu deposundaki suyu daha çabuk ısıtır. Eko modunun kullanım suyu deposundaki suyu ısıtması biraz daha uzun sürer ancak kullanılan enerji azalır. Bunun nedeni ısı pompası işleminin, ölçülen kullanım suyu deposu sıcaklığına dayalı biçimde FTC'den gelen sinyaller kullanılarak kısıtlanmasıdır.

Not: Eko modunda tasarruf edilen asıl enerji, ortam sıcaklığına göre değişiklik gösterir.

<[Kullanım suyu tekrar doldurma]>

Kullanım suyu miktarını seçin. Daha fazla sıcak suya ihtiyacınız varsa FAZLA ögesini seçin, ancak çalıştırma maliyetlerini yükseltir.

Kullanım suyu/lejyoner önleme menüsüne geri dönün.

5 Sistem Ayarlama

Lejyoner Önleme Modu ayarları (LP modu)

1. Lejyoner modu aktif EVET/HAYIR ögesini seçmek için F3 düğmesine bakın.
2. Lejyoner fonksiyonunu düzenlemek için MENÜ düğmesine 3 saniye süreyle basın ve "sıcak su" ögesini seçin ardından F4 tuşuna basın.
3. ONAY düğmesine basarak sırayla her alt başlığı seçen menüde gezinmek için F1 ve F2 tuşlarını kullanın. Her ayarın açıklaması için aşağıdaki tabloya bakın.
4. Fonksiyon tuşlarını kullanarak istediğiniz sayıyı girin ve ONAYLA düğmesine basın.

Lejyoner Önleme Modu esnasında depolanan suyun sıcaklığı, lejyoner bakterisinin gelişmesini engellenmesi için 60°C'nin üzerine çıkar. Bunun, düzenli aralıklarla yapılması kesinlikle önerilir. Isıtmanın tavsiye edilen aralığı için lütfen yerel yönetmeliklere bakın.

Not: Hydrobox'ta arızalar meydana geldiğinde LP modu, normal şekilde çalışmayabilir.

Menü alt başlıkları	İşlev	Aralık	Birim	Varsayılan değer
Sıcak su sıcakl.	Depolanan sıcak suyun istenen sıcakl.	60–70	°C	65
Frekans	LP modu kullanım suyu deposu arasındaki süre	1–30	gün	15
Başlangıç zamanı	LP modunun başlayacağı zaman	0.00–23.00	-	03.00
Maks. işlem süresi	LP modu kullanım suyu depo ısıtması için izin verilen maksimum süre	1–5	saat	3
Maks. sıcakl. süresi	LP modu istenen su sıcakl. ulaşıldıktan sonraki zaman dilimi	1–120	dak.	30

[Başlangıç Ayarları]

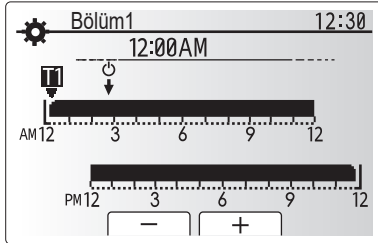
Başlangıç ayarları menüsünden kurulumu yapan kişi aşağıdakileri ayarlayabilir.

- [Tarih/Zaman] *Yerel standart saate göre ayarlayın.
- [Dil]
- [Yaz zamanı]
- [Sıcaklık göstergesi]
- [İletişim numarası]
- [Zaman göstergesi]
- [°C/°F]
- [Oda sensör ayarları]

Ayar işlemine yönelik Genel Kullanım bölümünde anlatılan prosedürü takip.

<[Oda sensörü ayarları]>

Oda sensörü ayarları için sistemin içinde çalışacağı ısıtma moduna bağlı olarak doğru oda sensörünün seçilmesi önemlidir.



Zaman/Blm programı ayar ekranı

Menü alt başlıkları	Tanım																					
Oda kumanda ve bölüm seçimi	2 bölümlü sıcaklık kontrolü aktif olduğunda ve kablosuz uzaktan kumandalar kullanılabilir olduğunda her ana uzaktan kumandaya atamak için Oda kumanda ve bölüm seçimi ekranından bölüm numarasını seçin.																					
Sensör ayarı	Sensör ayarı ekranından Bölüm1 ve Bölüm2'den ayrı ayrı oda sıcaklığını izlemek için kullanılacak bir oda sensörü seçin. <table border="1"><thead><tr><th>Kontrol seçeneği (Internet sitesi kılavuzuna)</th><th colspan="2">İlgili başlangıç ayarları oda sensörü</th></tr><tr><td></td><th>Bölüm1</th><th>Bölüm2</th></tr></thead><tbody><tr><td>A</td><td>Oda UK 1-8 (birer adet Bölüm1 ve Bölüm2)</td><td>*1</td></tr><tr><td>B</td><td>TH1</td><td>*1</td></tr><tr><td>C</td><td>Ana uzaktan kumanda</td><td>*1</td></tr><tr><td>D</td><td>*1</td><td>*1</td></tr><tr><td>Süre programına göre farklı oda sensörleri kullanıldığında</td><td>Zaman/ Bölüm*2</td><td>*1</td></tr></tbody></table> <p>*1. Belirtilmemiş (yerel olarak temin edilen oda termostatı kullanılırsa) Oda UK 1-8 (birer adet Bölüm1 ve Bölüm2) (kablosuz bir uzaktan kumanda bir oda termostatı olarak kullanıldığında)</p> <p>*2. Sensör ayarı ekranından, Zaman/Blm menüsünde ayarlanmış zaman programına göre farklı oda sensörlerinin kullanılmasını mümkün kılmak için Zaman/Blm seçin. Oda sensörleri, 24 saat içerisinde en fazla 4 kez değiştirilebilir.</p>	Kontrol seçeneği (Internet sitesi kılavuzuna)	İlgili başlangıç ayarları oda sensörü			Bölüm1	Bölüm2	A	Oda UK 1-8 (birer adet Bölüm1 ve Bölüm2)	*1	B	TH1	*1	C	Ana uzaktan kumanda	*1	D	*1	*1	Süre programına göre farklı oda sensörleri kullanıldığında	Zaman/ Bölüm*2	*1
Kontrol seçeneği (Internet sitesi kılavuzuna)	İlgili başlangıç ayarları oda sensörü																					
	Bölüm1	Bölüm2																				
A	Oda UK 1-8 (birer adet Bölüm1 ve Bölüm2)	*1																				
B	TH1	*1																				
C	Ana uzaktan kumanda	*1																				
D	*1	*1																				
Süre programına göre farklı oda sensörleri kullanıldığında	Zaman/ Bölüm*2	*1																				

[Servis] Menüsü

Servis menüsü, kurulumu yapan kişi veya servis mühendisi tarafından kullanılacak fonksiyonları sağlar. Ev sahibinin bu menüdeki ayarları değiştirmesi AMAÇLANMAMIŞTIR. Bu nedenden dolayı, servis ayarlarına yetkisiz erişimin önlenmesi için şifre koruması gereklidir.

Fabrika varsayılan şifresi "0000"dır.

Ayar işlemine yönelik Genel Kullanım bölümünde anlatılan prosedürü takip.

İç ünite çalışırken birçok fonksiyon ayarlanamaz. Kurulumu yapan kişi, bu fonksiyonları ayarlamaya çalışmadan önce üniteyi kapatmalıdır. Kurulumu yapan kişi, ünite çalışırken ayarları değiştirmeye çalışırsa ana uzaktan kumanda, kurulumu yapan kişiye devam etmeden önce çalışmayı durdurmasını hatırlatan hatırlatıcı bir mesaj görüntüler. "Evet" ögesi seçilerek ünitenin çalışmasını durdurur.

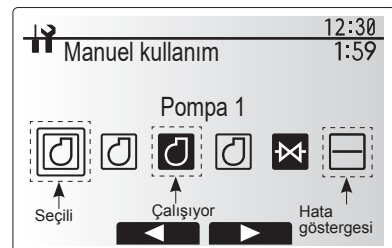
<[Manuel kullanım]>

Sistemin doldurulması esnasında ana devre sirkülasyon pompası ve 3 yollu vana, manuel kullanım modu kullanılarak manuel olarak geçersiz kılınabilir.

Manuel kullanım seçildiğinde ekranda küçük bir zamanlayıcı simgesi görüntülenir. Seçildiğinde, bu fonksiyon manuel kullanımda sadece en fazla 2 saatlik bir süreyle kalır. Bunun amacı, FTC'nin yanlışlıkla kalıcı olarak geçersiz kılınmasını önlemektir.

►Ömek

F3 düğmesine basılması, manuel kullanım modunu ana 3 yollu vana için AÇACAKTIR. Kullanım suyu deposu doldurulurken parçanın manuel kullanımını durdurmak için kurulumu yapan kişi tekrar bu menüye ulaşarak F3 düğmesine basmalıdır. Bunun yerine 2 saat sonra manuel kullanım modu, artık aktif olmayacaktır ve FTC, silindir ünitesinin kontrolüne devam edebilir.



Manuel kullanım menü ekranı

5 Sistem Ayarlama

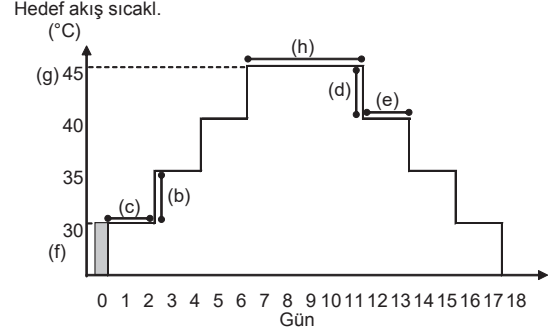
Manuel kullanım ve ısı kaynağı ayarı, sistem çalışıyorsa seçilemez. Kurulumu yapan kişiden, bu modların aktifleştirilebilmesinden önce sistemi durdurmasını isteyen bir ekran görüntülenir. Sistem son işleminden 2 saat sonra otomatik olarak durur.

<[Zemin kurutma fonksiyonu]>

Bu özel zeminden ısıtma sistemi türü monte edildiğinde betonu aşama aşama kurutmak için zemin kurutma fonksiyonu, hedef su sıcaklığını kademeli olarak otomatik şekilde değiştirir.

İşlem tamamlandığında sistem, Donma durumu işlemi dışındaki tüm işlemleri durdurur.

Zemin kurutma fonksiyonu için Bölüm1'in hedef akış sıcaklığı. Bölüm2'ninkine aynıdır.



- Bu fonksiyon, bir PUHZ-FRP dış ünite bağlandığında kullanılamaz.
- Oda termostatının, talep kontrolünün ve dış ortam termostatının harici girişlerine giden kablo bağlantısını çıkarın aksi takdirde hedef akış sıcaklığı sağlanamaz.

Fonksiyonlar	Sembol	Tanım	Seçenek/ Aralık	Birim	Varsayılan	
Zemin kurutma fonksiyonu	a	Ana uzaktan kumandayı kullanarak sistemdeki fonksiyonu ve gücü AÇIK olarak ayarlayın böylece kurutma ısıtması kullanımını başlar.	Açık/Kapalı	—	Kapalı	
Akış sıcaklığı (artış)	Akış sıcaklığı artışı adımı	b	Hedef akış sıcaklığının artış adımını ayarlar.	+1 - +10	°C	+5
	Artış aralığı	c	Aynı hedef akış sıcaklığının sağlanması için süreyi ayarlar.	1 - 7	gün	2
Akış sıcaklığı (düşüş)	Akış sıcaklığı düşüş adımı	d	Hedef akış sıcaklığının düşüş adımını ayarlar.	-1 - -10	°C	-5
	Düşüş aralığı	e	Aynı hedef akış sıcaklığının sağlanması için süreyi ayarlar.	1 - 7	gün	2
Hedef sıcaklık	Başlat ve Bitir	f	İşlemin başlangıç ve bitişinde hedef akış sıcaklığını ayarlar.	20 - 60	°C	30
	Maks. hedef sıcaklığı	g	Maksimum hedef akış sıcaklığını ayarlar.	20 - 60	°C	45
	Maks. sıcaklığı dönemi	h	Maksimum hedef akış sıcaklığının sağlanması için süreyi ayarlar.	1 - 20	gün	5

<[Şifre koruma]>

Şifre koruma, deneyimsiz kişiler tarafından servis menüsüne yetkisiz erişimin önlenmesi için kullanılabilir.

Şifrenin sıfırlanması

Girmiş olduğunuz şifreyi unutursanız veya başkasının kurmuş olduğu bir üniteye servis sağlamanız gerekiyorsa şifreyi, varsayılan fabrika ayarı **0000** olarak sıfırlayabilirsiniz.

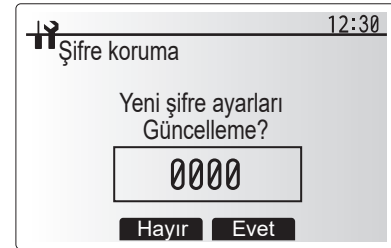
1. Ana ayarlar menüsünde Servis Menüsü vurgulanana kadar aşağı inin.
2. ONAYLA düğmesine basın.
3. Sizde bir şifre girmeniz istenecek.
4. F3 ve F4 tuşlarını 3 saniye süreyle birlikte basılı tutun
5. Devam ederek şifreyi varsayılan ayarına sıfırlamak isteyip istemediğiniz sorulacak.
6. Sıfırlamak için F3 düğmesine basın.
7. Şifre **0000** olarak sıfırlanır.

<[Manuel sıfırlama]>

İstedığınız zaman fabrika ayarlarını geri yüklemek istediğinizde manuel sıfırlama fonksiyonunu kullanmalısınız. Lütfen bu işlemin, TÜM fonksiyonları varsayılan fabrika ayarlarına sıfırlayacağını unutmayın.



Şifre giriş ekranı



Şifre doğrulama ekranı

6 Hizmete alma

■ Hizmete alma öncesi çalışmaları- içme suyu/kullanım suyu devresi

İlk doldurma işlemi:

Tüm boru bağlantılarının ve bağlantı elemanlarının sıkı ve sağlam olduğundan emin olun.

En uzak kullanım suyu musluğu/çıkışı açın.

Üniteyi ve kullanım suyu borularını doldurmaya başlamak için şebeke suyunu yavaşça/kademeli olarak açın.

En uzak musluğun akmasını ve kalan havanın şebekeden tahliye olmasını/boşalmasını bekleyin.

Sistemin tam olarak dolmasını sağlamak için musluğu/çıkışı kapatın.

Not: Bir daldırma ısıtıcısı takıldığında kullanım suyu deposu suyla dolana kadar ısıtıcıya enerji VERMEYİN. Ayrıca ısıtıcının erken arızalanmasına neden olacağı için kullanım suyu deposunda herhangi bir sterilizasyon kimyasal maddesi kalmışsa hiçbir daldırma ısıtıcıya enerji VERMEYİN.

İlk boşaltma işlemi:

Silindir ünitesinin içindekileri yaklaşık 30 - 40°C'ye kadar ısıtmak için sisteme enerji verin.

Kurulum çalışmalarından kaynaklanan tüm kalıntıları/kiri gidermek için suyu boşaltın/taahliye edin. Isınmış suyu uygun bir hortum vasıtasıyla tahliye etmeye güvenli bir şekilde boşaltmak için silindir ünitesi boşaltma musluğunu kullanın.

İşlem tamamlandığında boşaltma musluğunu kapatın sistemi yeniden doldurun ve sistemi hizmete almaya kaldığınız yerden devam edin.

7 Servis ve Bakım

Hata Kodları

Kod	Hata	Eylem
L3	Sirkülasyon su sıcaklığı fazla ısınma koruması	Akış hızı, azaltılabilir. Şunları kontrol edin; • Su kaçağı • Süzgeç tıkanıklığı • Su sirkülasyon pompası fonksiyonu (Hata kodu, ana devrenin doldurulması esnasında görüntülenebilir, doldurma işlemini tamamlayın ve hata kodunu sıfırlayın.)
L4	Kullanım suyu deposu su sıcaklığı fazla ısınma koruması	Daldırma ısıtıcısını ve kontaktörünü kontrol edin.
L5	İç ünite sıcaklık termistörü (THW1, THW2, THW5A, THW5B, THW6, THW7, THW8, THW9) arızası	Termistördeki direnci kontrol edin.
L6	Sirkülasyon suyu donma koruması	L3 ile ilgili eyleme bakın.
L8	Isıtma kullanımı hatası	Yerinden çıkmış olabilecek tüm termistörleri kontrol ederek yeniden takın.
L9	Akış sensörü veya akış anahtarı (akış anahtarları 1, 2, 3) tarafından tespit edilen düşük ana sirkülasyon akış hızı	L3 ile ilgili eyleme bakın. Akış sensörünün veya akış anahtarının kendisi çalışmıyorsa değiştirin. Dikkat: Pompa vanaları sıcak olabilir, lütfen dikkat edin.
LA	Basınç sensörü arızası	Basınç sensörü kablosunu hasarlara veya gevşek bağlantıya karşı kontrol edin.
LB	Yüksek basınç koruması	• Isıtma devresinin akış hızı azalmış olabilir. Su devresini kontrol edin. • Plakalı ısı eşanjörü tıkanmış olabilir. Plakalı ısı eşanjörünü kontrol edin. • Dış ünite arızası. Dış ünite servis kılavuzuna bakın.
LC	Kazan sirkülasyonu su sıcaklığı fazla ısınma koruması	Isıtmaya yönelik Kazan ayar sıcaklığının kısıtlamayı geçip geçmediğini kontrol edin. (Termistörlerin "PAC-TH012HT-E" kılavuzuna bakın) Isıtma devresinin kazandan gelen akış hızı azalmış olabilir. Şunları kontrol edin • su kaçağı, • süzgeç tıkanıklığı • su sirkülasyon pompası fonksiyonu.
LD	Kazan sıcaklık termistörü (THWB1) arızası	Termistördeki direnci kontrol edin.
LE	Kazan işlemi hatası	L8 ile ilgili eyleme bakın. Kazanın durumunu kontrol edin.
LF	Akış sensörü arızası	Akış sensörü kablosunu hasarlara veya gevşek bağlantıya karşı kontrol edin.
LH	Kazan sirkülasyon suyu donma koruması	Isıtma devresinin kazandan gelen akış hızı azalmış olabilir. Şunları kontrol edin • su kaçağı • süzgeç tıkanıklığı • su sirkülasyon pompası fonksiyonu.
LJ	Kullanım suyu işlemi hatası (harici plaka HEX türü)	• Kullanım suyu deposu su düşük sıcaklık termistörünü (THW5B) bağlantısının çıkmasına karşı kontrol edin. • Kullanma suyu devresinin akış hızı azalmış olabilir. • Su sirkülasyon pompası fonksiyonunu kontrol edin. (ana / kullanma)
LL	FTC kontrol kartındaki DIP anahtarı ayar hataları	Kazan işlemi için DIP SW1-1'in AÇIK (Kazanlı) ve DIP SW2-6'nın AÇIK (Karıştırma Depolu) olarak ayarlanmış olduğunu kontrol edin. 2 bölmeli sıcaklık kontrolü için DIP SW2-7'nin AÇIK (2 bölümlü) ve DIP SW2-6'nın AÇIK (Karıştırma Depolu) olarak ayarlanmış olduğunu kontrol edin.
LP	Dış ısı pompası ünitesinin su akış hızı aralık dışında	Kurulum Tablosu 4.3.1'i kontrol edin Uzaktan kumanda ayarlarını kontrol edin (Servis menüsü / Isı Pompası Debi Aralığı) L3 ile ilgili eyleme bakın.
P1	Termistör (Oda sıcaklığı) (TH1) arızası	Termistördeki direnci kontrol edin.
P2	Termistör (Ref. sıvı sıcaklığı) (TH2) arızası	Termistördeki direnci kontrol edin.
P6	Plakalı eşanjörün antifriz koruması	L3 ile ilgili eyleme bakın. Soğutucu miktarının doğru olduğunu kontrol edin.
J0	FTC ile kablosuz alıcı arasında iletişim hatası	Bağlantı kablosunu hasarlara veya gevşek bağlantıya karşı kontrol edin.
J1 - J8	Kablosuz alıcı ile kablosuz uzaktan kumanda arasında iletişim hatası	Kablosuz uzaktan kumanda pilinin bitmemiş olduğunu doğrulayın. Kablosuz alıcı ile kablosuz uzaktan kumanda arasındaki eşleşmeyi kontrol edin. Kablosuz iletişimi test edin. (Kablosuz sistemin kılavuzuna bakın)
E0 - E5	Ana uzaktan kumanda ile FTC arasında iletişim hatası	Bağlantı kablosunu hasarlara veya gevşek bağlantıya karşı kontrol edin.
E6 - EF	FTC ile dış ünite arasında iletişim hatası	Dış ünitenin kapatılmadığını doğrulayın. Bağlantı kablosunu hasarlara veya gevşek bağlantıya karşı kontrol edin. Dış ünite servis kılavuzuna bakın.
E9	Dış ünite, iç üniteden sinyal almıyor.	Her iki ünitenin açık olduğunu doğrulayın. Bağlantı kablosunu hasarlara veya gevşek bağlantıya karşı kontrol edin. Dış ünite servis kılavuzuna bakın.
EE	FTC ile dış ünite arasında kombinasyon hatası	FTC ile dış ünite arasındaki kombinasyonu kontrol edin.
U*, F*	Dış ünite arızası	Dış ünite servis kılavuzuna bakın.
A*	M-NET iletişim hatası	Dış ünite servis kılavuzuna bakın.

Not: Hata kodlarını iptal etmek için lütfen sistemi kapatın (Ana uzaktan kumandada F4 (SIFIRLA) düğmesine basın).

7 Servis ve Bakım

Yıllık Bakım

Silindir ünitesine yılda en az bir kez uzman bir kişi tarafından bakım yapılması gereklidir. Gerekli tüm parçalar, Mitsubishi Electric'ten satın alınmalıdır. GÜVENLİK tertibatlarını kesinlikle atlamayın veya üniteyi, güvenlik tertibatları tamamen çalışır durumda olmadan çalıştırmayın. Daha fazla ayrıntı için servis kitapçığına bakın.

Not

- Kurulumun ilk birkaç ayı içinde silindir ünitesinin süzgeçlerini ayrıca diğer silindir ünitesine haricen takılmış olan tüm ilave filtre elemanlarını çıkararak temizleyin. Bu, eski/mevcut bir boru tesisatı sistemine takıldığında özellikle önemlidir.
- PRV vanası ve T&P vanası (Şekil 3.1'deki No. 8, 20 ve 21) düğme elle döndürülerek yıllık olarak kontrol edilmelidir böylece madde dışı boşaltılır, bu şekilde conta yatağı temizlenir.

Yıllık bakıma ek olarak belirli bir sistem çalışma süresinden sonra bazı parçaların değiştirilmesi veya incelenmelidir. Ayrıntılı talimatlar için lütfen aşağıdaki tablolara bakın. Parçaların değiştirilmesi ve incelenmesi, her zaman ilgili eğitim ve niteliklere sahip uzman bir kişi tarafından yapılmalıdır.

Düzenli olarak değiştirilmesi gereken parçalar

Parçalar	Değiştirme sıklığı	Olası arızalar
Basınç tahliye vanası (PRV) Manometre Giriş kontrol grubu (ICG)*	6 yıl	Su kaçağı

* Birleşik Krallık için İSTEĞE BAĞLI PARÇALAR

Düzenli olarak incelenmesi gereken parçalar

Parçalar	İnceleme sıklığı	Olası arızalar
Basınç tahliye vanası (3bar) Sıcaklık ve basınç tahliye vanası	1 yıl (düğmeyi elle döndürerek)	PRV, sabitlenmiş ve genişleme kabı patlamış
Daldırma ısıtıcı	2 yıl	Devre kesicinin etkinleşmesine neden olan toprak kaçağı (Isıtıcı her zaman KAPALI)
Su sirkülasyon pompası (Ana devre)	20.000 saat (3 yıl)	Su sirkülasyon pompası arızası

Bakım yapılırken tekrar KULLANILMAMASI gereken parçalar

* O-ring

* Conta

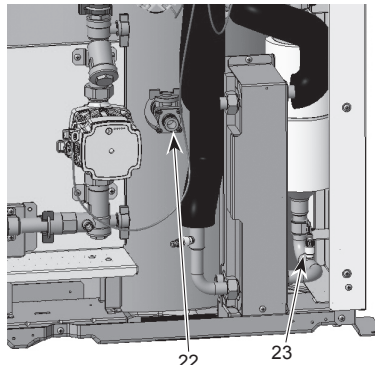
Not:

• Her düzenli bakımda (her 20.000 saatte veya her 3 yılda) pompanın contası her zaman yenisiyle değiştirin.

<Silindir ünitesinin ve kullanma suyu ısıtma devresinin (yerel) boşaltılması>

UYARI: BOŞALTILAN SU ÇOK SICAK OLABİLİR

1. Silindir ünitesini boşaltmaya çalışmadan önce daldırma ve ek ısıtıcının yanmasını önlemek için elektrik kaynağından ayırın.
2. Soğuk su beslemesini kullanım suyu deposundan ayırın.
3. Bir vakum yaratmadan boşaltmanın sağlanması için sıcak su musluğunu açın.
4. Kullanım suyu deposu boşaltma musluklarına (Şekil 7.1'de No. 22 ve 23) bir hortum takın. Boşaltılan su çok sıcak olabileceği için hortum, ısıya dayanabilmelidir. Hortum, sifonlanmanın sağlanması için kullanım suyu deposunun alt kısmından daha alçak bir yere boşaltma yapmalıdır. Tahliye musluğunu açarak boşaltma işlemini başlatın.
5. Kullanım suyu deposu boşaltıldığında boşaltma musluğunu ve sıcak su musluğunu kapatın.
6. Ana devre için su devresi boşaltma musluklarına (Şekil 3.1'de No. 6) hortum takın. Boşaltılan su çok sıcak olabileceği için hortum, ısıya dayanabilmelidir. Hortum, sifonlanmanın sağlanması için kullanım boşaltma musluğundan daha alçak bir yere boşaltma yapmalıdır. Pompa vanalarını ve süzgeç vanalarını açın.
7. Silindir ünitesi boşaltıldıktan sonra yine de süzgeçte su kalır. Süzgeç kapağını çıkararak süzgeci boşaltın.



<Şekil 7.1>

7 Servis ve Bakım

Mühendis Formları

Ayarlar, varsayılanlardan değiştirildiğinde lütfen yeni ayarı "Alan Ayarı" sütununa girerek kaydedin. Bu işlem, sistem kullanımı değiştirildiğinde veya devre kartının değiştirilmesi gerektiğinde sonraki yeniden ayarlamayı kolaylaştırır.

Hizmete alma/Alan ayarları kayıt formu

Ana uzaktan kumandanın parçaları		Parametreler	Varsayılan ayar	Alan ayarı	Notlar
Ana	Bölüm1 ısıtma oda sıcaklığı	10°C - 30°C	20°C		
	Bölüm2 ısıtma oda sıcaklığı *12	10°C - 30°C	20°C		
	Bölüm1 ısıtma su akış sıcaklığı	20°C - 60°C	45°C		
	Bölüm2 ısıtma su akış sıcaklığı *1	20°C - 60°C	35°C		
	Bölüm1 soğutma su akış sıcaklığı *13	5°C - 25°C	15°C		
	Bölüm2 soğutma su akış sıcaklığı *13	5°C - 25°C	20°C		
	Bölüm1 ısıtma telafisi eğrisi	-9°C - + 9°C	0°C		
	Bölüm2 ısıtma telafisi eğrisi *1	-9°C - + 9°C	0°C		
Seçenek	Tatil modu	Aktif/Aktif olmayan/Zaman ayarlama	—		
	Zorlamalı kullanım suyu işlemi	Açık/Kapalı	—		
	Kullanım suyu	Açık/Kapalı/Zamanlayıcı	Açık		
	Isıtma/Soğutma *13	Açık/Kapalı/Zamanlayıcı	Açık		
Ayar	Kullanım suyu	Enerji monitörü	Tüketilen elektrik enerjisi/İletilen enerji	—	
		Kullanım Modu	Normal/Eko *15	Normal	
		Kullanım suyu maks. sıcakl.	40°C - 60°C *2	50°C	
		Kullanım suyu sıcakl. düşmesi	5°C - 30°C	10°C	
	Lejyoner önleme	Kullanım suyu maks. işlem süresi	30 - 120 dak.	60 dak.	
		Kullanım suyu modu kısıtlaması	30 - 120 dak.	30 dak.	
		Kullanım suyu tekrar doldurma	Büyük/Standart	Standart	
		Aktif	Evet/Hayır	Evet	
	Isıtma/Soğutma *13	Sıcak su sıcakl.	60°C - 70°C *2	65°C	
		Frekans	1 - 30 gün	15 gün	
		Başlangıç zamanı	00:00 - 23:00	03:00	
		Maks. işlem süresi	1 - 5 saat	3 saat	
Telaflı eğrisi	Maksimum sıcakl. süresi	1 - 120 dak.	30 dak.		
	Yüksek akış sıcakl. ayar noktası	Bölüm1 kullanım modu	Isıtma oda sıcaklığı/ Isıtma su akış sıcaklığı/ Isıtma telafisi eğrisi/ Soğutma su akış sıcaklığı	Oda sıcakl.	
		Bölüm2 kullanım modu *1	Isıtma oda sıcaklığı/ Isıtma su akış sıcaklığı/ Isıtma telafisi eğrisi/ Soğutma su akış sıcaklığı	Telaflı eğrisi	
	Düşük akış sıcakl. ayar noktası	Bölüm1 ortam sıcaklığı	-30°C - +33°C *3	-15°C	
Bölüm1 akış sıcakl.		20°C - 60°C	50°C		
Ayar	Bölüm2 ortam sıcaklığı *1	-30°C - +33°C *3	-15°C		
	Bölüm2 akış sıcakl. *1	20°C - 60°C	40°C		
	Bölüm1 ortam sıcaklığı	-28°C - +35°C *4	35°C		
	Bölüm1 akış sıcakl.	20°C - 60°C	25°C		
Tatil	Bölüm2 ortam sıcaklığı *1	-28°C - +35°C *4	35°C		
	Bölüm2 akış sıcakl. *1	20°C - 60°C	25°C		
	Bölüm1 ortam sıcaklığı	-29°C - +34°C *5	—		
	Bölüm1 akış sıcakl.	20°C - 60°C	—		
Başlangıç ayarları	Bölüm2 ortam sıcaklığı *1	-29°C - +34°C *5	—		
	Bölüm2 akış sıcakl. *1	20°C - 60°C	—		
	Kullanım suyu	Aktif/Aktif değil	Aktif değil		
	Isıtma/Soğutma *13	Aktif/Aktif değil	Aktif		
	Bölüm1 ısıtma oda sıcaklığı	10°C - 30°C	15°C		
	Bölüm2 ısıtma oda sıcaklığı *12	10°C - 30°C	15°C		
	Bölüm1 ısıtma su akış sıcaklığı	20°C - 60°C	35°C		
	Bölüm2 ısıtma su akış sıcaklığı *1	20°C - 60°C	25°C		
	Bölüm1 soğutma su akış sıcaklığı *13	5°C - 25°C	25°C		
	Bölüm2 soğutma su akış sıcaklığı *13	5°C - 25°C	25°C		
	Servis menüsü	Dil	EN/FR/DE/SV/ES/IT/DA/NL/FI/NO/PT/BG/PL/CZ/RU/TR/SL	EN	
		°C/°F	°C/°F	°C	
Yaz zamanı		Açık/Kapalı	Kapalı		
Sıcakl. göstergesi		Oda/Kullanım suyu deposu/Oda ve Kullanım suyu deposu/Kapalı	Kapalı		
Zaman göstergesi		ss:dd/ss:dd ÖÖ/ÖÖ ss:dd	ss:dd		
Bölüm1 için oda sensörü ayarları		TH1/Ana Kum./Oda RC1-8/"Zaman/Blm"	TH1		
Bölüm2 için oda sensörü ayarları *1		TH1/Ana Kum./Oda RC1-8/"Zaman/Blm"	TH1		
Oda kumanda ve bölüm seçimi *1		Bölüm1/Bölüm2	Bölüm1		
Termistör ayarları		THW1	-10°C - +10°C	0°C	
		THW2	-10°C - +10°C	0°C	
		THW5A	-10°C - +10°C	0°C	
		THW5B	-10°C - +10°C	0°C	
	THW6	-10°C - +10°C	0°C		
	THW7	-10°C - +10°C	0°C		
	THW8	-10°C - +10°C	0°C		
	THW9	-10°C - +10°C	0°C		
	THW10	-10°C - +10°C	0°C		
	THWB1	-10°C - +10°C	0°C		
	Yardımcı ayarlar	Pompanın ekonomi ayarları.	Açık/Kapalı *6	Açık	
		Gecikme (3 - 60 dak.)		10 dak.	
Elektrikli ısıtıcı (Isıtma)		Ortam ısıtma: Açık (kullanılan)/Kapalı (kullanılmayan)	Açık		
Elektrikli ısıtıcı (Kullanım suyu)		Elektrikli ısıtıcı gecikmeli zamanlayıcı (5 - 180 dak.)	30 dak.		
Ek ısıtıcı		Kullanım suyu: Açık (kullanılan)/Kapalı (kullanılmayan)	Açık		
Daldırma ısıtıcı		Kullanım suyu: Açık (kullanılan)/Kapalı (kullanılmayan)	Açık		
Elektrikli ısıtıcı gecikmeli zamanlayıcı (15 - 30 dak.)			15 dak.		
Karışım vanası kontrolü		Çalışıyor (10 - 240 san.)	120 san.		
Aralık (1 - 30 dak.)			2 dak.		
Akış sensörü *17		Minimum (0 - 100 L/dak.)	5 L/dak.		
Maksimum (0 - 100 L/dak.)			100 L/dak.		
Analog çıkış		Aralık (1 - 30 dak.)	5 dak.		
Öncelik (Normal/Yüksek)		Normal			

(Devamı sonraki sayfada.)

7 Servis ve Bakım

Mühendis Formları

Hizmete alma/Alan ayarları kayıt formu (önceki sayfadan devam ediyor)

Ana uzaktan kumandanın parçaları			Parametreler		Varsayılan ayar	Alan ayarı	Notlar	
Ayar	Servis menüsü	Pompa hızı	Kullanım suyu	Pompa hızı (1 - 5)	5			
			Isıtma/Soğutma	Pompa hızı (1 - 5)	5			
		Isı kaynağı ayarı		Standart/Isıtıcı/Kazan/Hybrid *7	Standart			
		Isı pompası ayarı	Isı Pompası Debi Aralığı	Minimum (0 - 100 L/dak.)	5 L/dak.			
				Maksimum (0 - 100 L/dak.)	100 L/dak.			
			Sessiz mod	Gün (Pzt - Pzr)	—			
				Zaman	0:00 - 23:45			
		Kullanım ayarları	Isıtma kullanımı *8	Akış sıcakl. aralığı *10	Minimum sıcakl. (20 - 45°C)	30°C		
					Maksimum sıcakl. (35 - 60°C)	50°C		
				Oda sıcakl. kontrolü *14	Mod (Normal/Hızlı)	Normal		
					Aralık (10 - 60 dak.)	10 dak.		
			Isı pompası termo farklı ayarı	Açık/Kapalı *6	Açık			
				Alt limit (-9 - -1°C)	-5°C			
				Üst limit (+3 - +5°C)	5°C			
			Donma önleme fonksiyonu *11	Ortam sıcaklığı (3 - 20°C) / **	5°C			
			Eş zamanlı çalışma (Kullanım suyu/ Isıtma)	Açık/Kapalı *6	Kapalı			
			Soğuk hava fonksiyonu	Ortam sıcaklığı (-30 - +10°C) *3	-15°C			
				Açık/Kapalı *6	Kapalı			
			Kazan çalışması	Hybrid ayarları	Ortam sıcaklığı (-30 - -10°C) *3	-15°C		
					Ortam sıcaklığı (-30 - +10°C) *3	-15°C		
					Öncelik modu (Ortam/Cost/CO2) *16	Ortam		
					Ortam sıcaklığı yükselmesi (+1 - +5°C)	+3°C		
				Gelişmiş Ayarlar	Elektrik fiyatı *9	Elektrik (0,001 - 999 */kWh)	0,5 */kWh	
		Kazan (0,001 - 999 */kWh)				0,5 */kWh		
		CO2 emisyonu			Elektrik (0,001 - 999 kg -CO2/kWh)	0,5 kg -CO2/kWh		
					Kazan (0,001 - 999 kg -CO2/kWh)	0,5 kg -CO2/kWh		
		Isı kaynağı			Isı pompası kapasitesi (1 - 40 kW)	11,2 kW		
					Kazan verimliliği (%25 - 150)	%80		
			Ek ısıtıcı 1 kapasitesi (0 - 30 kW)	2 kW				
			Ek ısıtıcı 2 kapasitesi (0 - 30 kW)	4 kW				
		SG Ready Ayarı	Kullanım suyu	Açık/Kapalı	Kapalı			
				Hedef sıcakl. (+1- +20°C) / -- (Aktif değil)	--			
			Isıtma	Açık/Kapalı	Kapalı			
				Hedef sıcakl.	Açma önerisi (20 - 60°C)	50°C		
				Açma komutu (20 - 60°C)	55°C			
			Soğutma	Açık/Kapalı	Kapalı			
				Hedef sıcakl.	Açma önerisi (5 - 25°C)	15°C		
				Açma komutu (5 - 25°C)	10°C			
		Pompa Devrede	Isıtma (Açık/Kapalı)	Açık				
			Soğutma (Açık/Kapalı)	Açık				
	Aralık (10-120 dak.)	10 dak.						
Zemin kurutma fonksiyonu	Açık/Kapalı *6	Hedef sıcakl.	Başlangıç ve Bitiş (20 - 60°C)	30°C				
			Maks. sıcakl. (20 - 60°C)	45°C				
			Maks. sıcakl. süresi (1 - 20 gün)	5 gün				
	Akış sıcakl. (Artış)	Sıcakl. artışı adımı (+1 - +10°C)	+5°C					
		Artış aralığı (1 - 7 gün)	2 gün					
	Akış sıcakl. (Düşüş)	Sıcakl. düşüşü adımı (-1 - -10°C)	-5°C					
Düşüş aralığı (1 - 7 gün)		2 gün						
Yaz modu	Açık/Kapalı	Ortam sıcaklığı	Isıtma AÇIK (4-19°C)	10°C				
			Isıtma KAPALI (5-20°C)	15°C				
	Dış Sıcaklığa Göre Karar	Isıtma AÇIK (1-48 saat)	6 saat					
		Isıtma KAPALI (1-48 saat)	6 saat					
	Zorlamalı Isıtma AÇIK (-30 - 10°C)	5°C						
Su akış kontrolü	Açık/Kapalı	Kapalı						

(Devamı sonraki sayfada.)

7 Servis ve Bakım

Mühendis Formları

Hizmete alma/Alan ayarları kayıt formu (önceki sayfadan devam ediyor)

Ana uzaktan kumandanın parçaları				Parametreler	Varsayılan ayar	Alan ayarı	Notlar	
Servis menüsü	Enerji izleme ayarları	Elektrikli ısıtıcı kapasitesi	Ek ısıtıcı 1 kapasitesi	0 - 30 kW	2 kW			
			Ek ısıtıcı 2 kapasitesi	0 - 30 kW	4 kW			
			Daldırma ısıtıcı kapasitesi	0 - 30 kW	0 kW			
			Analog çıkış	0 - 30 kW	0 kW			
		Enerji besleme ayarları			-50 - +50%	%0		
		Su pompası girişi	Pompa 1	0 - 200 W veya ***(fabrikada takılan pompa)	***			
			Pompa 2	0 - 200 W	0 W			
			Pompa 3	0 - 200 W	0 W			
			Pompa 4	0 - 200 W	72 W			
		Elektrik enerji sayacı			0,1/1/10/100/1.000 pals/kWh	1 pals/kWh		
		Isı ölçer			0,1/1/10/100/1.000 pals/kWh	1 pals/kWh		
		Harici besleme ayarları	Talep kontrol (IN4)		Isı kaynağı KAPALI/Kazan çalışması	Kazan çalışması		
			Dış ortam termostatı (IN5)		Isıtıcı çalışması/Kazan çalışması	Kazan çalışması		
		Termo ON Çıkış Sinyali			Bölüm1/Bölüm2/Bölüm1&2	Bölüm1&2		

*1 Bölüm2 ile ilişkili ayarlar, sadece 2 bölümlü sıcaklık kontrolü etkinleştirildiğinde değiştirilebilir (DIP SW2-6 ve SW2-7 AÇIKKEN).

*2 Hem ek hem de daldırma ısıtıcıya sahip olmadan model için dış ortam sıcaklığına bağlı olarak ayarlanan sıcaklığa ulaşamayabilir.

*3 Alt limit, bağlı dış üniteye bağlı olarak -15°C'dir.

*4 Alt limit, bağlı dış üniteye bağlı olarak -13°C'dir.

*5 Alt limit, bağlı dış üniteye bağlı olarak -14°C'dir.

*6 Açık: fonksiyon aktiftir; Kapalı: fonksiyon aktif değildir.

*7 DIP SW1-1 KAPALI olarak ayarlandığında "KAZANSIZ" veya SW2-6 KAPALI olarak ayarlandığında "KARIŞIM DEPOSUZ", ne Kazan ne de Hybrid seçilebilir.

*8 Sadece Oda sıcakl. kontrol modunda işletildiğinde geçerlidir.

9 "/ **/kWh" para birimini temsil eder (ör. € veya £ veya benzeri)

*10 Sadece Isıtma oda sıcaklığında kullanımda geçerli.

*11 Yıldız işareti (***) seçilirse donma önleme fonksiyonu aktif değildir. (ör. ana su donma tehlikesi)

*12 Bölüm2 ile ilişkili ayarlar, sadece 2 bölümlü sıcaklık kontrolü veya 2 bölümlü vana AÇIK/KAPALI kontrolü etkinleştirildiğinde değiştirilebilir.

*13 Soğutma modu ayarları sadece ER modeli için kullanılabilir.

*14 DIP SW5-2 KAPALI olarak ayarlandığında fonksiyon aktiftir.

*15 Silindir ünitesi, bir PUMY-P dış ünitesine bağlandığında mod "Normal" olarak sabitlenir.

*16 Silindir ünitesi, bir PUMY-P dış ünitesine bağlandığında mod "Ortam" olarak sabitlenir.

*17 Silindir ünitesine takılı akış sensörünün özelliklerine göre ayarlandığı için ayarı değiştirmeyin.

1. Меры безопасности..... 2
 2. Введение 3
 3. Техническая информация 4
 4. Установка 10
 4.1 Размещение..... 10
 4.2 Качество воды и подготовка системы 11
 4.3 Монтаж водопроводных труб 11
 4.4 Электрические соединения 14
 5. Настройка системы 16
 5.1 Функции DIP-переключателей 16
 5.2 Подключение входов/выходов 17
 5.3 Электрические соединения для 2-зонного отопления 18
 5.4 Работа только гидромодуля (при установке) 19
 5.5 Smart grid готова 19
 5.6 Использование SD-карты памяти 19
 5.7 Главный контроллер 20
 6. Ввод в эксплуатацию..... 26
 7. Сервис и техническое обслуживание 27

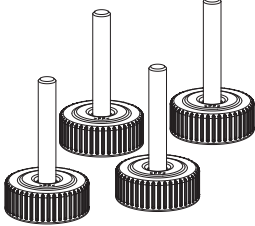
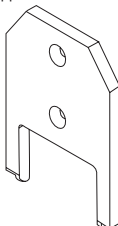
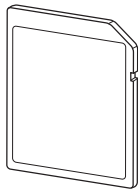
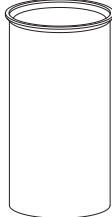


<http://www.mitsubishielectric.com/ldg/ibim/>

При необходимости получить дополнительную информацию, отсутствующую в настоящем руководстве, перейдите на указанный выше сайт, где имеется возможность скачать инструкции, выбрав название модели и язык.

Содержание руководства, предлагаемого на сайте

- Контроль энергопотребления
- Части и узлы (с детализацией)
- Схема контура воды (170 л)
- Комнатный термостат
- Заправка системы
- Простая 2-зонная система
- Автономный источник электропитания
- Smart grid готова
- Опции беспроводного пульта управления
- Меню обслуживания (специальная настройка)
- Дополнительная информация

Аксессуары (в комплекте)			
Регулируемые ножки	Инструмент для погружного нагревателя	SD-карта памяти	Медная втулка для трубы ГВС
	Только модель EHPT20X-MHEDW 		
4	1	1	2

Термины и аббревиатуры

№.	Сокращения/Термины	Описание
1	Погодозависимое отопление	Управление отоплением помещений в зависимости от температуры наружного воздуха
2	COP	Коэффициент энергоэффективности теплового насоса
3	Гидромодуль с накопительным баком ГВС	Бак ГВС с компонентами трубопроводов и фитингами
4	Режим ГВС	Режим нагрева горячей воды для бытовых нужд (для душевой кабины, раковины и т.д.)
5	Температура потока	Температура воды, поступающей в первичный контур
6	Защита от замерзания	Режим управления отоплением для защиты от замерзания воды в трубопроводе
7	FTC	Контроллер температуры потока, плата управления системой
8	Режим отопления	Отопление помещений с помощью радиаторов или системы обогрева полов
9	Легионелла	Легионелла - бактерия, вызывает легионеллёз. Возможно её попадание в водопровод, душ, накопительный бак
10	LP режим	Режим обеззараживания (профилактика легионеллы) - функция для систем с накопительным баком
11	Моноблочная модель	Пластинчатый теплообменник (хладагент - вода) расположен в наружном блоке теплового насоса
12	PRV	Клапан выравнивания давления (предохранительный клапан)
13	Температура обратной воды	Температура воды на выходе из первичного контура
14	Модель типа сплит	Пластинчатый теплообменник (хладагент - вода) «фреон - вода» расположен в гидромодуле
15	TRV	Термостатический клапан радиатора - клапан на входе или выходе из радиатора, управляющий тепловой мощностью
16	Режим охлаждения	Охлаждение помещений с помощью фэнкойлов или системы охлаждения полов

1 Меры безопасности

Внимательно прочитайте следующие меры безопасности.





⚠ ВНИМАНИЕ:
Меры безопасности, необходимые для предотвращения травм или смерти.

⚠ ОСТОРОЖНО:
Меры безопасности, необходимые для предотвращения повреждения устройства.

Настоящее руководство по установке вместе с инструкцией по эксплуатации должны быть переданы пользователю для использования в будущем. Mitsubishi Electric не несет ответственность за неисправность частей, приобретаемых отдельно.

- Обязательно выполняйте периодическое техническое обслуживание.
- Обязательно следуйте местным нормам и правилам.
- Обязательно следуйте инструкциям данного руководства.

ЗНАЧЕНИЕ СИМВОЛОВ, ОТОБРАЖАЕМЫХ НА БЛОКЕ

	ВНИМАНИЕ (Опасность возгорания)	Эта метка только для хладагента R32. Тип хладагента указан на паспортной табличке наружного блока. Если тип хладагента R32, то в данном блоке используется горючий хладагент. В случае утечки хладагента и его соприкосновения с пламенем или нагретыми частями образуется вредный газ и возникает риск возгорания.
	Перед началом работы внимательно ознакомьтесь с РУКОВОДСТВОМ ПО ЭКСПЛУАТАЦИИ.	
	Перед началом работы обслуживающий персонал должен внимательно ознакомиться с РУКОВОДСТВОМ ПО ЭКСПЛУАТАЦИИ и с РУКОВОДСТВОМ ПО УСТАНОВКЕ.	
	Дополнительная информация содержится в РУКОВОДСТВЕ ПО ЭКСПЛУАТАЦИИ, РУКОВОДСТВЕ ПО УСТАНОВКЕ и в аналогичных руководствах.	

⚠ ⚠ ВНИМАНИЕ

Механика

Гидромодуль и наружный блок не должны устанавливаться, демонтироваться, перемещаться, модифицироваться или ремонтироваться пользователем. Обратитесь к авторизованным специалистам. При неправильном монтаже блока или внесении изменений в конструкцию после установки возможны утечка воды, поражение электрическим током или возгорание.

Наружный блок должен быть надежно закреплен на твердой ровной поверхности, способной выдержать его вес.

Гидромодуль должен быть установлен на твердой ровной поверхности, способной выдержать его вес в заполненном состоянии для предотвращения шума и вибраций.

Не размещайте мебель или электроприборы под наружным блоком или гидромодулем.

Сливные трубопроводы от защитных устройств гидромодуля должны быть проведены согласно местным нормам и правилам.

Используйте только одобренные Mitsubishi Electric аксессуары и запасные части, по вопросам обращайтесь к квалифицированным специалистам.

Электрика

Все электротехнические работы должны выполняться квалифицированными электриками в соответствии с местными правилами и инструкциями настоящего руководства.

Устройство должно быть запитано от выделенного источника электропитания. Необходимо использовать номинальное напряжение и автоматический выключатель.

Проводка должна быть выполнена в соответствии с местными нормами и правилами. Соединения должны быть выполнены надежно и без натяжения на клеммах.

Заземлите устройство в соответствии с действующими нормами и правилами.

Общее

Не допускайте детей и домашних питомцев к гидромодулю и наружному блоку.

Не используйте горячую воду от теплового насоса для питья и приготовления пищи. Это может привести к заболеванию.

Не вставляйте на гидромодуль.

Не дотрагивайтесь до переключателей мокрыми руками.

Ежегодные технические осмотры гидромодуля и наружного блока должны выполняться квалифицированным персоналом.

Не ставьте емкости с жидкостью на гидромодуль. Утечка или разлив жидкости может привести к повреждению устройства и/или возгоранию.

Не кладите тяжелые предметы на гидромодуль.

При установке, перемещении или обслуживании гидромодуля используйте для заправки системы только хладагент, предназначенный для этого теплового насоса. Не смешивайте его с любым другим хладагентом и не допускайте попадания воздуха в систему. Смешивание воздуха с хладагентом может быть причиной аномально высокого давления в контуре хладагента и может привести к взрыву и другим авариям. Использование любых других хладагентов, приведет к механическим неисправностям или к сбоям в работе системы. В худшем случае это может препятствовать обеспечению безопасности.

В режиме отопления для предотвращения повреждения отопительных приборов излишне горячей водой, установите целевую температуру потока не менее чем на 2°C ниже максимально допустимой температуры всех отопительных приборов. Для Зоны 2 установите целевую температуру не менее чем на 5°C ниже максимально допустимой температуры потока всех отопительных приборов контура Зоны 2.

Не устанавливайте прибор в местах возможного образования, скопления, циркуляции или утечки горючих газов. Скопление горючих газов вокруг прибора может стать причиной возгорания или взрыва.

Для ускорения процесса размораживания или в целях очистки используйте только те средства, которые рекомендованы производителем.

Прибор хранят в помещении, где нет постоянно действующих источников, способных привести к воспламенению (например: открытого пламени, работающих газовых приборов или электрических обогревателей).

Запрещается проделывать отверстия или подвергать воздействию огня.

Напоминаем, что хладагент может не иметь запаха.

Трубную систему защищают от физических повреждений.

При монтаже труб следует ограничиться их минимумом.

Обязательно соблюдение федеральных правил для газового оборудования.

Следите, чтобы все необходимые вентиляционные отверстия ничем не загромождались.

Не используйте легкоплавкий припой для твердой пайки трубопроводов хладагента.

1 Меры безопасности

ОСТОРОЖНО

Используйте для первичного контура чистую воду, соответствующую местным стандартам качества.
Наружный блок должен быть установлен в месте с достаточным обдувом ветра, согласно схемам, приведенным в руководстве по установке наружного блока.
Гидро модуль должен быть расположен внутри помещения для минимизации тепловых потерь.
Длина трубопроводов воды первичного контура между наружным и внутренним блоками должна быть сведена к минимуму для уменьшения тепловых потерь.
Обеспечьте отвод конденсата от основания наружного блока для предотвращения образования луж.
Удалите воздух из водяного контура.
Утечка хладагента может вызвать удушье. Обеспечьте вентиляцию в соответствии с EN378-1.
Обязательно изолируйте трубопроводы. Прямой контакт с неизолированными трубопроводами может привести к ожогу или обморожению.
Ни при каких обстоятельствах не берите батарейки в рот, чтобы избежать случайного проглатывания.
Проглатывание батарейки может вызвать удушье и/или отравление.
Не транспортируйте гидро модуль с водой в баке ГВС. Это может повредить устройство.
Если электропитание гидро модуля (или всей системы) отключается на длительное время, воду необходимо слить.
Если устройство не использовалось длительное время, перед возобновлением работы необходимо промыть контур ГВС питьевой водой.
Для предупреждения гидравлического удара должны быть приняты профилактические меры, такие, как установка амортизатора гидроудара на первичном контуре.

Информацию по обращению с хладагентом смотрите в руководстве по установке наружного блока.

2 Введение

Цель настоящего руководства по установке - инструктирование компетентных лиц по безопасной и эффективной установке и вводу в эксплуатацию гидро модуля. Целевая аудитория данного руководства - компетентные сантехники и/или инженеры холодильной техники, которые ранее принимали участие и прошли

необходимое обучение по оборудованию Mitsubishi Electric и имеют соответствующую квалификацию для установки системы закрытого типа с гидро модулем.

Технические характеристики

Наименование модели	EHST20C-MED		EHST20C-VM2D		EHST20C-VM6D		EHST20C-VM9D		EHST20C-VM9ED		EHST20C-VM9ED		EHST30C-TM9ED		EHST30C-TM9ED		ERST30C-VM2ED		EHPT17X-VM2D		EHPT17X-VM6D		EHPT17X-VM9D		ERPT17X-VM2D	
	106 кг 314 кг	113 кг 320 кг	114 кг 321 кг	115 кг 324 кг	109 кг 319 кг	115 кг 324 кг	115 кг 324 кг	115 кг 324 кг	113 кг 320 кг	113 кг 320 кг	118 кг 426 кг	120 кг 422 кг	121 кг 431 кг	120 кг 428 кг	120 кг 428 кг	120 кг 428 кг	120 кг 428 кг	120 кг 428 кг	120 кг 428 кг	85 кг 261 кг	86 кг 262 кг	87 кг 265 кг	87 кг 265 кг	86 кг 261 кг	86 кг 261 кг	86 кг 261 кг
Номинальный объем горячей воды	1600 × 595 × 680 мм		200 л		2050 × 595 × 680 мм		300 л		2050 × 595 × 680 мм		300 л		2050 × 595 × 680 мм		300 л		2050 × 595 × 680 мм		1400 × 595 × 680 мм		170 л		1400 × 595 × 680 мм		1400 × 595 × 680 мм	
Габаритные размеры блока (высота × ширина × глубина)	1600 × 595 × 680 мм		200 л		2050 × 595 × 680 мм		300 л		2050 × 595 × 680 мм		300 л		2050 × 595 × 680 мм		300 л		2050 × 595 × 680 мм		1400 × 595 × 680 мм		170 л		1400 × 595 × 680 мм		1400 × 595 × 680 мм	
Вес (пустой)	114 кг 321 кг		115 кг 324 кг		109 кг 319 кг		115 кг 324 кг		115 кг 324 кг		118 кг 426 кг		120 кг 422 кг		121 кг 431 кг		120 кг 428 кг		85 кг 261 кг		86 кг 262 кг		87 кг 265 кг		86 кг 261 кг	
Вес (заполненный)	114 кг 321 кг		115 кг 324 кг		109 кг 319 кг		115 кг 324 кг		115 кг 324 кг		118 кг 426 кг		120 кг 422 кг		121 кг 431 кг		120 кг 428 кг		85 кг 261 кг		86 кг 262 кг		87 кг 265 кг		86 кг 261 кг	
Объем воды в контуре отопления внутри блока *1	4,6 л		6,9 л		6,9 л		6,9 л		6,9 л		5,0 л		5,0 л		7,3 л		5,0 л		3,2 л		3,2 л		5,5 л		3,2 л	
Расширительный бак закрытого типа (первичный контур)	—		—		—		—		—		—		—		—		—		—		—		—		—	
Номинальный объем	12 л		12 л		12 л		12 л		12 л		12 л		12 л		12 л		12 л		12 л		12 л		12 л		12 л	
Давление подпитки	0,1 МПа		0,1 МПа		0,1 МПа		0,1 МПа		0,1 МПа		0,1 МПа		0,1 МПа		0,1 МПа		0,1 МПа		0,1 МПа		0,1 МПа		0,1 МПа		0,1 МПа	
Термистор	—		—		—		—		—		—		—		—		—		—		—		—		—	
Предохранительный клапан	—		—		—		—		—		—		—		—		—		—		—		—		—	
Датчик протока	—		—		—		—		—		—		—		—		—		—		—		—		—	
Термостат с ручным сбросом ВН	—		—		—		—		—		—		—		—		—		—		—		—		—	
Термоотсечка ВН	—		—		—		—		—		—		—		—		—		—		—		—		—	
Термистор	—		—		—		—		—		—		—		—		—		—		—		—		—	
Термостат с ручным сбросом ИН	—		—		—		—		—		—		—		—		—		—		—		—		—	
Предохранительный клапан температуры и давления	—		—		—		—		—		—		—		—		—		—		—		—		—	
Вода	Первичный контур		Контур ГВС		Жидкость		Газ		—		—		—		—		—		—		—		—		—	
Хладагент (R32/R410A)	—		—		—		—		—		—		—		—		—		—		—		—		—	
Отопление	Комнатная температура		Комнатная температура		Комнатная температура		Комнатная температура		Комнатная температура		Комнатная температура		Комнатная температура		Комнатная температура		Комнатная температура		Комнатная температура		Комнатная температура		Комнатная температура		Комнатная температура	
Рабочий диапазон	10 - 30°C		20 - 60°C		—		—		—		—		—		—		—		—		—		—		—	
Охлаждение	5 - 25°C		5 - 25°C		5 - 25°C		5 - 25°C		5 - 25°C		5 - 25°C		5 - 25°C		5 - 25°C		5 - 25°C		5 - 25°C		5 - 25°C		5 - 25°C		5 - 25°C	
Окр. условия	0 - 35°C (≤ 80 % отн. вл.)		0 - 35°C (≤ 80 % отн. вл.)		0 - 35°C (≤ 80 % отн. вл.)		0 - 35°C (≤ 80 % отн. вл.)		0 - 35°C (≤ 80 % отн. вл.)		0 - 35°C (≤ 80 % отн. вл.)		0 - 35°C (≤ 80 % отн. вл.)		0 - 35°C (≤ 80 % отн. вл.)		0 - 35°C (≤ 80 % отн. вл.)		0 - 35°C (≤ 80 % отн. вл.)		0 - 35°C (≤ 80 % отн. вл.)		0 - 35°C (≤ 80 % отн. вл.)		0 - 35°C (≤ 80 % отн. вл.)	
Наружная температура	—		—		—		—		—		—		—		—		—		—		—		—		—	
Макс. допустимая темп. горячей воды	*4		70°C		L		A+		—		—		—		—		—		—		—		—		—	
График заявленной нагрузки	—		—		—		—		—		—		—		—		—		—		—		—		—	
Умеренный климат	—		—		—		—		—		—		—		—		—		—		—		—		—	
Класс энергоэффективности водонагревателя	—		—		—		—		—		—		—		—		—		—		—		—		—	
Электроснабжение (фаза, напряжение, частота)	—		—		—		—		—		—		—		—		—		—		—		—		—	
Вход (с 4 насосами)	—		—		—		—		—		—		—		—		—		—		—		—		—	
Автоматический выключатель	—		—		—		—		—		—		—		—		—		—		—		—		—	
Электроснабжение (фаза, напряжение, частота)	—		—		—		—		—		—		—		—		—		—		—		—		—	
Мощность	—		—		—		—		—		—		—		—		—		—		—		—		—	
Ток	—		—		—		—		—		—		—		—		—		—		—		—		—	
Автоматический выключатель	—		—		—		—		—		—		—		—		—		—		—		—		—	
Электроснабжение (фаза, напряжение, частота)	—		—		—		—		—		—		—		—		—		—		—		—		—	
Мощность	—		—		—		—		—		—		—		—		—		—		—		—		—	
Ток	—		—		—		—		—		—		—		—		—		—		—		—		—	
Автоматический выключатель	—		—		—		—		—		—		—		—		—		—		—		—		—	
Электроснабжение (фаза, напряжение, частота)	—		—		—		—		—		—		—		—		—		—		—		—		—	
Мощность	—		—		—		—		—		—		—		—		—		—		—		—		—	
Ток	—		—		—		—		—		—		—		—		—		—		—		—		—	
Автоматический выключатель	—		—		—		—		—		—		—		—		—		—		—		—		—	
Уровень звуковой мощности (PWL)	—		—		—		—		—		—		—		—		—		—		—		—		—	
Уровень звуковой мощности (PWL)	—		—		—		—		—		—		—		—		—		—		—		—		—	

<Таблица 3.2>

*1 Данное значение не включает объем санитарного водяного контура, объем первичного контура ГВС (ведущего от 3-ходового клапана к точке соединения с контуром отопления), объем трубопроводов, ведущих к расширительному баку, а также объем расширительного бака.
 *2 Окружающие условия не допускают обмерзания.
 *3 См. таблицу с характеристиками наружного блока (мин. 10 °С). При низкой наружной температуре режим охлаждения недоступен. Если система используется в режиме охлаждения при пониженной температуре снаружи (10 °С или ниже), существует опасность повреждения пластинчатого теплообменника в результате замерзания воды.
 *4 Для моделей без проточного нагревателя и погружного нагревателя максимальная допустимая температура горячей воды равна максимальной температуре воды на выходе из наружного блока. Максимальную температуру воды на выходе из наружного блока смотрите в технической документации к наружному блоку.
 *5 Не устанавливайте погружные нагреватели без термоотсечки. Для непосредственной замены используйте только сервисные детали Mitsubishi Electric.

3 Техническая информация

Технические характеристики

Наименование модели	ЕНРТ20Х-МЕД	ЕНРТ20Х-VM6D	ЕНРТ20Х-YM9D	ЕНРТ20Х-YM9ED	ЕНРТ20Х-ТМ9D	ЕНРТ20Х-МНEDW	ЕНРТ20Х-МD	ЕНРТ20Х-VM2D	ЕНРТ20Х-VM6D	ЕНРТ30Х-МЕД	ЕНРТ30Х-YM9ED	ЕНРТ30Х-VM2ED	
	93 кг 300 кг	101 кг 307 кг	102 кг 310 кг	96 кг 305 кг	102 кг 310 кг	90 кг 296 кг	99 кг 305 кг	100 кг 305 кг	101 кг 307 кг	106 кг 413 кг	300 л 2050 x 595 x 680 мм	107 кг 413 кг	
Номинальный объем горячей воды Габаритные размеры блока (высота x ширина x глубина)	1600 x 595 x 680 мм												
Вес (пустой)	200 л												
Объем воды в контуре отопления внутри блока *1	3,7 л												
Номинальный объем бака закрытого типа (первичный контур)	12 л												
Давление подпитки	0,1 МПа												
Термистор	1 - 80 °С												
Первичный контур	—												
Предохранительный клапан	—												
Датчик протока	Мин. поток 5,0 л/мин (Диапазон расхода воды см. в Таблице 4.3.1)												
Защитные устройства	Термостат с ручным сбросом ВН	90 °С										90 °С	
	Термоотсека ВН	121 °С										121 °С	
Термистор	75 °С												
Термостат с ручным сбросом ИН	—												
Предохранительный клапан температуры и давления	1,0 МПа (10 бар)										90 °С/0,7 МПа (7 бар)		
Соединения	Вода	1,0 МПа (10 бар)										1,0 МПа (10 бар)	
	Хладагент (R32/R410A)	Жидкость										0,28 мм	
Рабочий диапазон	Отопление	Газ										0,22 мм	
	Охлаждение	Комнатная температура										10 - 30 °С	
	Охлаждение	Комнатная температура										20 - 60 °С	
Гарантированный рабочий диапазон Z	Охлаждение	Температура потока										5 - 25 °С	
	Отопление	—										—	
Производительность бака ГВС	Макс. допустимая темп. горячей воды	—										*3	
	График завышенной нагрузки	—										*4	
Электрические параметры	Класс энергоэффективности водонагревателя	L										XL	
	Плата управления (с-4 насосами)	A+										A	
Уровень звуковой мощности (PWL)	Вход	0,30 кВт										0,34 кВт	
	Ток	1,95 А										2,56 А	
Электрические параметры	Автоматический выключатель	10 А										—	
	Электропитание (фаза, напряжение, частота)	3~ 230 В, 50 Гц										3~ 400 В, 50 Гц	
Электрические параметры	Мощность	2 кВт + 4 кВт										2 кВт + 4 кВт	
	Ток	13 А										13 А	
Электрические параметры	Автоматический выключатель	32 А										16 А	
	Электропитание (фаза, напряжение, частота)	~N, 230 В, 50 Гц										~N, 230 В, 50 Гц	
Электрические параметры	Мощность	3 кВт										3 кВт	
	Ток	13 А										13 А	
Уровень звуковой мощности (PWL)	Автоматический выключатель	16 А										16 А	
	Автоматический выключатель	40 ДБ(А)										40 ДБ(А)	

< Таблица 3.3 >

*1 Данное значение не включает объем санитарного водяного контура ГВС (ведущего от 3-ходового клапана к точке соединения с контуром отопления), объем трубопроводов, ведущих к расширительному баку, а также объем расширительного бака.

*2 Окружающие условия не допускают обмерзания.

*3 См. таблицу с характеристиками наружного блока (мин. 10 °С). При низкой наружной температуре режим охлаждения недоступен. Если с истама используется в режиме охлаждения при пониженной температуре снаружи (10 °С или ниже), существует опасность повреждения пластинчатого теплообменника в результате замерзания воды.

*4 Для моделей без проточного нагревателя и погружного нагревателя максимальная допустимая температура горячей воды равна [максимальной температуре воды на выходе из наружного блока - 3 °С]. Максимальную температуру воды на выходе из наружного блока смотрите в технической документации к наружному блоку.

*5 Не устанавливайте погружные нагреватели без термостатичеки. Для непосредственной замены сервисные детали Mitsubishi Electric.

3 Техническая информация

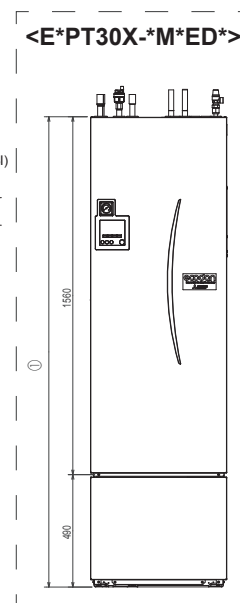
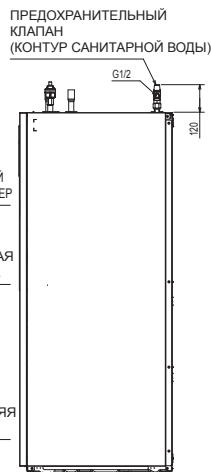
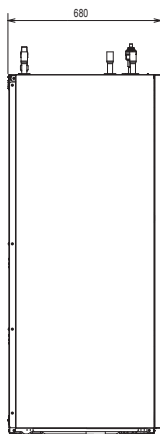
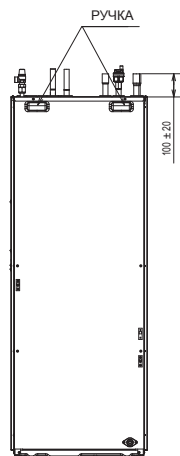
Единицы измерения: мм

■ Чертежи

<E**T***-M**D>

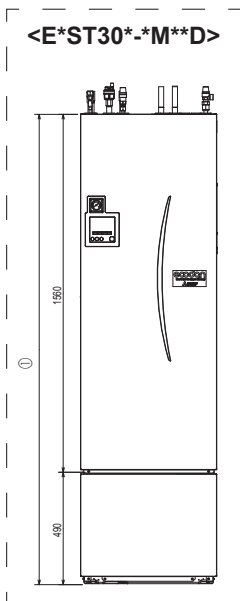
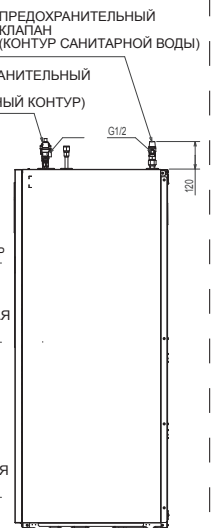
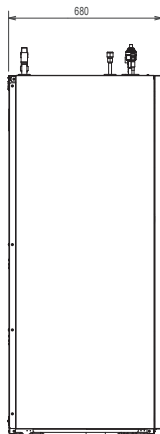
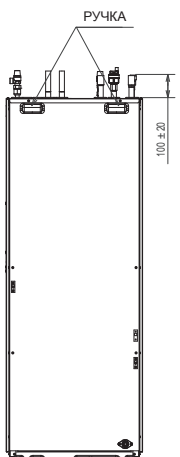
(Моноблочные модели)

Емкость бака ГВС	170 л	200 л	300 л
①	1400	1600	2050



(Модели типа сплит)

Емкость бака ГВС	170 л	200 л	300 л
①	1400	1600	2050



Символ	Описание трубопровода	Размер/Тип соединения
A	Штуцер подачи ГВС	22 мм/компрессионное
B	Штуцер входа холодной воды	22 мм/компрессионное
C	Штуцер обратной воды (Отопление/охлаждение)	28 мм/компрессионное
D	Штуцер прямой воды (Отопление/охлаждение)	28 мм/компрессионное
E	Подключение потока ОТ теплового насоса (без пластинчатого теплообменника)	28 мм/компрессионное
F	Подсоединение обратной трубы К теплому насосу (без пластинчатого теплообменника)	28 мм/компрессионное
G	Штуцер хладагента (газ) (с пластинчатым теплообменником)	12,7 мм/вальцовка (E*ST**D-*) 15,88 мм/вальцовка (E*ST**C-*)
H	Штуцер хладагента (жидкость) (с пластинчатым теплообменником)	6,35 мм/вальцовка (E*ST**D-*) 9,52 мм/вальцовка (E*ST**C-*)
J	Входы электрокабелей ① ② ③ ④ ⑤	Вход ①, ② и ③ для проводки низковольтных проводов, включая провода входа внешних сигналов и провода термисторов. Входы ④ и ⑤ для проводки высоковольтных проводов, включая кабель питания, межблочные соединения и выход внешних сигналов. * Для кабеля приемника беспроводных сигналов (опция) используйте вход ①.

⚠ Внимание

- Подсоединения трубопроводов хладагента должны располагаться в удобных для техобслуживания местах.
- Если трубопроводы хладагента соединяются обратно после разборки, расширяющуюся часть трубы следует изготовить заново.

<Таблица 3.4>

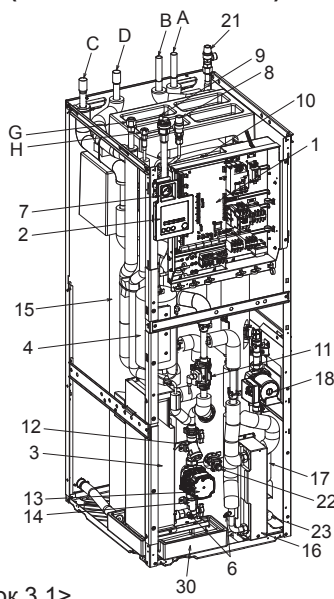
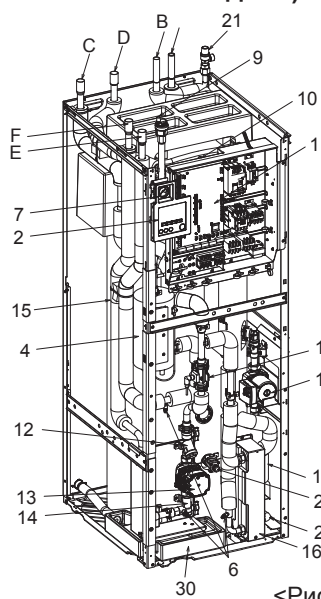
3 Техническая информация

Компоненты

<E**T***_*M**D>

(Моноблочные модели)

(Модели типа сплит)

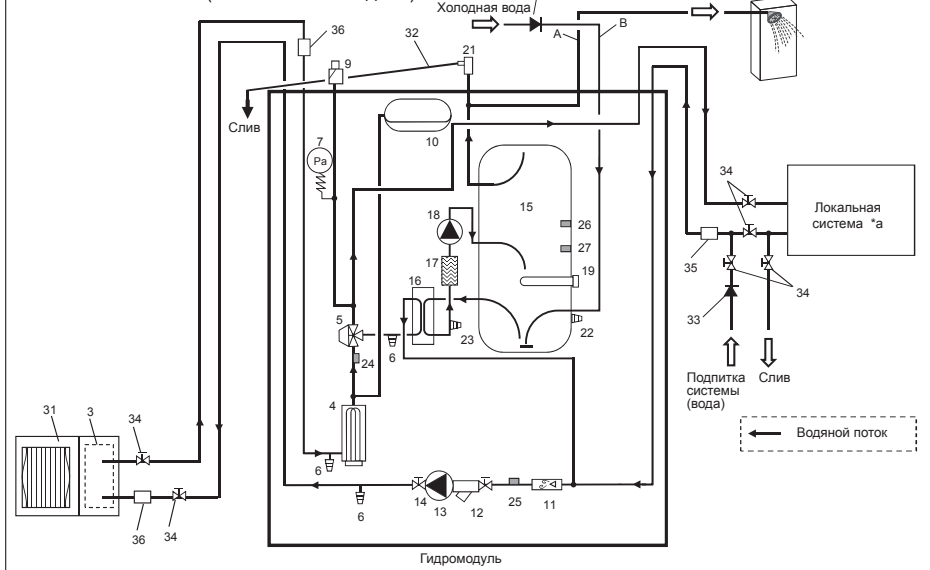


<Рисунок 3.1>

Примечание:
При монтаже всех моделей E**T***_*M**ED* на стороне первичного контура обязательно устанавливается расширительный бак соответствующего размера, а также дополнительный предохранительный клапан, не допускающий разрыва расширительного бака в ходе эксплуатации. (Подробнее см. рис. 3.2–3.3 и 4.3.2)

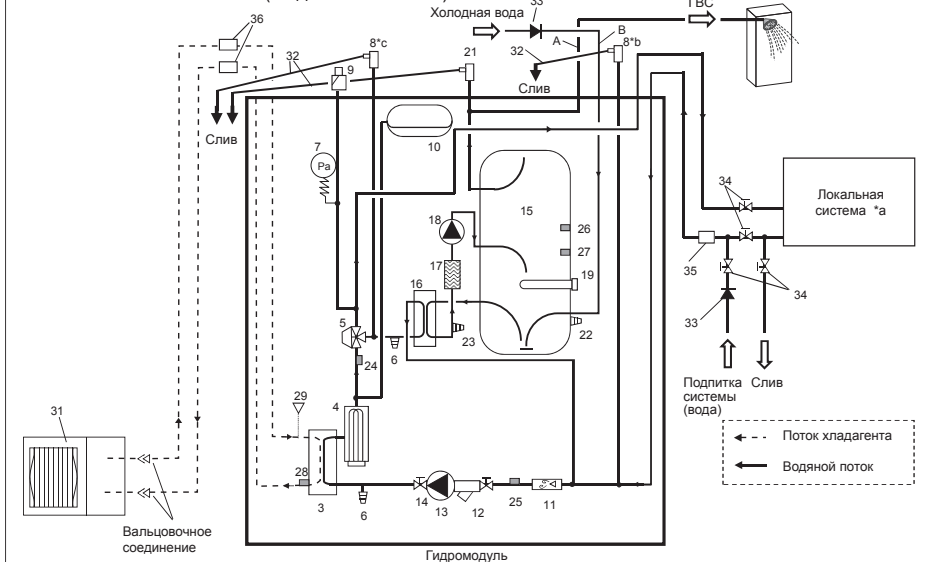
■ Схема контура воды

<E*PT20/30X-*M**D> (Моноблочные модели)



<Рисунок 3.2>

<E*ST20C/30C/30D-*M**D> (Модели типа сплит)



<Рисунок 3.3>

No.	Наименование
A	Штуцер подачи ГВС
B	Штуцер входа холодной воды
C	Штуцер обратной воды (отопление/охлаждение)
D	Штуцер прямой воды (отопление/охлаждение)
E	Штуцер (прямая вода от теплового насоса)
F	Штуцер (обратная вода к теплому насосу)
G	Фреоновый трубопровод (газ)
H	Фреоновый трубопровод (жидкость)
1	Блок управления
2	Главный контроллер
3	Пластинчатый теплообменник "хладагент - вода"
4	Проточный нагреватель 1, 2
5	3-ходовой клапан
6	Ручной воздухоотводчик
7	Манометр
8	Предохранительный клапан (3 бар)
9	Автоматический воздухоотводчик
10	Расширительный бак (первичный контур)
11	Датчик протока
12	Фильтр
13	Циркуляционный водяной насос 1 (первичный контур)
14	Клапан насоса
15	Бак ГВС
16	Пластинчатый теплообменник "вода - вода"
17	Фильтр-грязеуловитель
18	Циркуляционный водяной насос (контур санитарной воды)
19	Погружной нагреватель *1
20	Предохранительный клапан температуры и давления *1
21	Предохранительный клапан (10 бар) (бак ГВС)
22	Сливной кран (бак ГВС)
23	Сливной кран (контур санитарной воды)
24	Термистор темп. прямой воды (THW1)
25	Термистор темп. обратной воды (THW2)
26	Верхний термистор темп. воды бака ГВС (THW5A)
27	Нижний термистор темп. воды бака ГВС (THW5B)
28	Термистор темп. жидкого хладагента (TH2)
29	Датчик давления
30	Дренажный поддон
31	Наружный блок
32	Сливной трубопровод (приобретается отдельно)
33	Обратный клапан (приобретается отдельно)
34	Запорный клапан (приобретается отдельно)
35	Магнитный фильтр (приобретается отдельно) (рекоменд.)
36	Фильтр (приобретается отдельно)
37	Дополнительный клапан PRV (приобретается на месте)
38	Впускная регулирующая группа *1
39	Заполняющая петля (Шаровые и обратные клапаны, шланг) *1
40	Расширительный бак питьевой воды *1

*1. Поставляется только с моделями для Великобритании. Дополнительную информацию по комплектующим смотрите в руководстве по установке PAC-VK02UK.

<Таблица 3.5>

Перейдите на веб-сайт Mitsubishi, чтобы посмотреть контуры воды других блоков, а также компоненты каждого блока.

- *a Смотрите в следующем разделе "Локальная система".
- *b Только E**T20
- *c Только E**T30

- Примечания:**
- Для обеспечения слива воды из гидромодуля, запорные вентили должны быть установлены на трубопроводах прямой и обратной воды.
 - Обязательно установите фильтр на трубопроводе подачи воды к гидромодулю.
 - Соответствующий сливной трубопровод должен быть подключен ко всем клапанам выравнивания давления (предохранительным) в соответствии с местными нормами.
 - На трубопроводе питающей воды должен быть установлен обратный клапан (IEC 61770).
 - При использовании компонентов водяного контура или трубопроводов, выполненных из различных металлов, следует предусмотреть изоляцию соединений для предотвращения коррозии.

ru

4 Установка

Подготовка к установке и обслуживанию

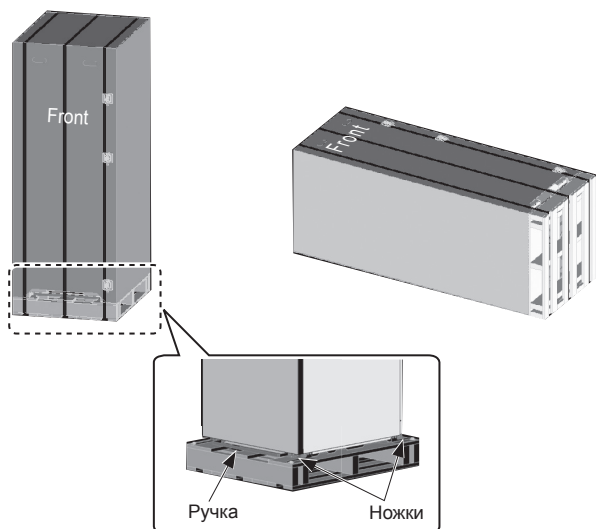
- Подготовьте необходимые инструменты.
- Подготовьте необходимые защитные средства.
- Прежде чем проводить какие-либо работы подождите, пока остынут компоненты устройства.
- Обеспечьте достаточную вентиляцию.
- После остановки системы выключите автоматический выключатель питания и выньте вилку.
- Перед началом работы, связанной с электрооборудованием, дождитесь разряда конденсаторов.

Меры безопасности при обслуживании

- Не выполняйте работу, связанную с электрооборудованием, мокрыми руками.
- Не допускайте попадания воды или жидкости в электрооборудование.
- Не прикасайтесь к хладагенту.
- Не прикасайтесь к горячим и холодным частям холодильного контура.
- При необходимости ремонта или проверки системы без отключения питания проявляйте большую осторожность и не прикасайтесь к компонентам, находящимся под напряжением.

4.1 Размещение

■ Транспортировка и перемещение



<Рис. 4.1.1>

Гидро модуль поставляется на деревянной паллете в картонной упаковке.

При транспортировке гидро модуля проявляйте осторожность, не допускайте ударов и повреждений корпуса. Не снимайте упаковку, пока гидро модуль не будет доставлен до места установки. Это поможет защитить устройство и панель управления.

- Гидро модуль может транспортироваться в вертикальном или горизонтальном положении. При горизонтальной транспортировке маркировка "Front" на упаковке должна быть сверху (рис. 4.1.1).
- Гидро модуль должны перемещать не менее двух человек.
- При перемещении гидро модуля используйте ручки.
- Перед перемещением гидро модуля убедитесь в надежности крепления ручек.
- **Снимите переднюю ручку, фиксаторы ножек, деревянную паллету и прочие элементы упаковки на месте установки гидро модуля.**
- **Сохраните ручки для последующего перемещения.**

■ Место установки

Перед установкой гидро модуль должен храниться в закрытом, теплом помещении. НЕ складировать гидро модули в штабель.

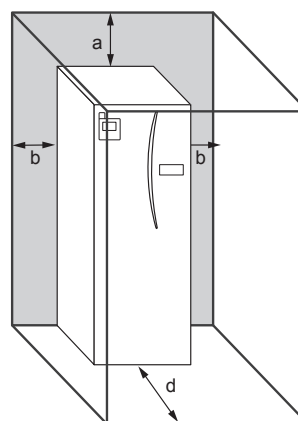
- Гидро модуль должен устанавливаться в закрытом, теплом помещении.
- Устанавливайте гидро модуль в месте, где он не будет подвергаться воздействию воды/повышенной влажности.
- Гидро модуль должен размещаться на ровной поверхности, способной выдержать его вес в заполненном состоянии. (Для выравнивания устройства используйте регулируемые ножки (в комплекте).)
- При использовании регулируемых ножек убедитесь в прочности пола.
- Соблюдайте требования к сервисному пространству вокруг и перед гидро модулем для доступа к частям при обслуживании (рис. 4.1.2).
- Закрепите гидро модуль для предотвращения его падения.

■ Схема требуемого пространства для обслуживания

Сервисное пространство	
Параметр	Размеры (мм)
a	300*
b	150
c (зазор между гидро модулем и стеной не виден на рис. 4.1.2)	10
d	500

<Таблица 4.1.1>

Должно быть обеспечено достаточное пространство для сливного трубопровода согласно местным строительным нормам и правилам.



<Рис. 4.1.2>

Сервисное пространство

Гидро модуль должен размещаться в закрытом теплом помещении, например, в подсобном помещении.

* При установке приобретаемого отдельно 2-зонного комплекта (PAC-TZ02-E) поверх гидро модуля с накопительным баком требуются 300 мм дополнительного свободного пространства (всего 600 мм).

■ Изменение места установки

При необходимости перемещения гидро модуля в новое место, полностью слейте воду, чтобы избежать повреждения устройства.

4.2 Качество воды и подготовка системы

Общие требования

- Вода в первичном контуре и контуре санитарной воды должна быть чистой, значение pH 6,5 - 8,0.
- Ниже приведены максимальные допустимые значения:
Кальций: 100 мг/л, жесткая вода Са: 250 мг/л,
Хлор: 100 мг/л, медь: 0,3 мг/л.
- Содержание других примесей должно соответствовать стандартам директивы ЕС 98/83.
- В районах с жесткой водой для предотвращения/минимизации образования накипи, целесообразно ограничивать температуру воды (макс. температура ГВС) 55°C.

Антифриз

В качестве антифриза следует использовать пропиленгликоль с токсичностью Класса 1 согласно Clinical Toxicology of Commercial Products, 5-е издание.

Примечания:

1. Этиленгликоль токсичен, и его не следует использовать в первичном контуре воды в случае перекрестного загрязнения с контуром питьевой воды.
2. При 2-зонном регулировании двухходовым клапаном следует использовать пропиленгликоль.

Первоначальная установка системы (первичный контур воды)

- Перед подключением наружного блока тщательно очистите трубопроводы от строительного мусора, припоя и т.д. с помощью подходящего чистящего средства.
- Промойте систему для удаления чистящих средств.
- Для всех моноблочных систем добавьте ингибиторы и антифриз для предотвращения повреждения трубопроводов и компонентов системы.
- Для моделей типа сплит, монтажник должен принять решение о необходимости добавления антифриза в контур. Антикоррозийный ингибитор должен использоваться всегда.

Подключение к существующей системе (первичный контур воды)

- Перед подключением наружного блока, существующий отопительный контур должен быть химически очищен от инородных частиц.
- Промойте систему для удаления химических чистящих средств.
- Для всех моноблочных модельных систем и моделей типа сплит или систем PUMY без проточного нагревателя, следует добавить комбинированный ингибитор и антифриз для предотвращения повреждения трубопроводов и компонентов системы.
- Для моделей типа сплит, монтажник должен принять решение о необходимости добавления антифриза в контур. Антикоррозийный ингибитор должен использоваться всегда.

При использовании химических чистящих средств и ингибиторов следуйте инструкциям производителя и используйте вещества, подходящие для материалов, используемых в контуре воды.

4.3 Монтаж водопроводных труб

Монтаж трубопроводов горячей воды

Гидромодуль с накопительным баком ГВС закрытого типа. При установке систем закрытого типа придерживайтесь строительных норм части G3 (Англия и Уэльс), P3 (Шотландия) и P5 (Северная Ирландия). За пределами Великобритании придерживайтесь правил Вашей страны для систем ГВС.

Подключите трубопровод подачи ГВС к штуцеру А (рис. 3.1). Нормальное функционирование следующих защитных устройств гидромодуля должно быть проверено при монтаже:

- Предохранительный клапан;
- Предварительно заряженный расширительный бак (газом под давлением).

Точно выполняйте инструкции, указанные далее, по безопасному отводу горячей воды от защитных устройств.

- Трубопроводы станут очень горячими, изолируйте их для предотвращения получения ожогов.
- При подключении трубопроводов убедитесь, что в них не попали посторонние предметы, мусор и т. д.

Монтаж трубопроводов холодной воды

Холодная вода соответствующего стандарта (см. раздел 4.2) подводится к системе через штуцер В (рис. 3.1) с использованием необходимых фитингов.

Предотвращение отрицательного давления

Чтобы предотвратить воздействие отрицательного давления на бак ГВС, необходимо установить соответствующий трубопровод или воспользоваться соответствующими устройствами.

Минимальное количество воды в контуре отопления/охлаждения

Наружный блок теплового насоса		Умеренный/теплый климат **		Холодный климат **	
		Внутренний блок, содержащий воду [л]	*Дополнительно требуемое количество воды [л]	Внутренний блок, содержащий воду [л]	*Дополнительно требуемое количество воды [л]
Моноблочная модель	PUZ-WM50	5	2	5	24
	PUZ-WM60		4		29
	PUZ-WM85		7		32
	PUZ-WM112		11		43
	PUZ-HWM140		15		55
Модель типа сплит	SUZ-SWM40	5	1	5	12
	SUZ-SWM60		2		21
	SUZ-SWM80		4		29
	PUD-S(H)WM60		4		21
	PUD-S(H)WM80		6		29
	PUD-S(H)WM100		9		38
	PUD-S(H)WM120		12		47
	PUD-SHW140		15		55
	PUHZ-FRP71		6		27
	PUHZ-SW75		6		27
	PUHZ-SW100		9		38
	PUHZ-SW120		12		47
	PUHZ-SHW80		6		29
	PUHZ-SHW112		11		43
	PUHZ-SHW140		15		55
	PUMY-P112		22		75
	PUMY-P125		22		75
	PUMY-P140		22		75

<Таблица 4.2.1>

* При наличии байпасного контура значение в таблице показывает минимальное количество воды для байпаса.

** Для уточнения своего климатического пояса см. документ 2009/125/ЕС: Директива по энергопотребляющей продукции и Регламент (ЕС) № 813/2013.

Вариант 1. Нет разделения между первичным и вторичным контурами

- Убедитесь, что обеспечено достаточное количество воды в соответствии с таблицей 4.2.1 через водяную трубу и радиатор или систему обогрева полов.

Вариант 2. Раздельный первичный и вторичный контур

- Если взаимоблокировка между первичным и вторичным контурами не предусмотрена, обеспечивается наличие дополнительного количества воды только в первичном контуре в соответствии с таблицей 4.2.1.
- Если взаимоблокировка между первичным и вторичным контурами предусмотрена, обеспечивается наличие общего количества воды в первичном и вторичном контурах в соответствии с таблицей 4.2.1.

При дефиците воды относительно требуемого количества устанавливается буферная емкость.

Установка фильтра воды (только для серии E*PT)

Установите гидравлический или сетчатый фильтр (приобретается отдельно) на входе воды. (Штуцер E на Рис. 3.1.)

Подключения трубопроводов

Подключения к гидромодулю выполняются с использованием компрессионных фитингов 22 мм и 28 мм.

При подсоединении труб ГВС с использованием компрессионных фитингов вставьте в трубы **медную втулку для труб ГВС** (входит в комплект принадлежности) и затяните их на 0,75–1,25 оборота.

Не опрессовывайте фитинги слишком сильно, так как это может привести к деформации обжимного кольца и утечке.

Примечание: Перед пайкой труб на месте защитите трубы на гидромодуле, используя в качестве «теплового экрана» мокрые полотенца.

Изоляция трубопроводов

- Все открытые участки трубопроводов воды должны быть изолированы для предотвращения теплотерь и образования конденсата. Для предотвращения попадания конденсата в гидромодуль, трубопроводы и соединения в верхней части гидромодуля должны быть тщательно изолированы.
- Трубопроводы горячей и холодной воды не должны проходить близко друг к другу для предотвращения нежелательного теплообмена.
- Трубопровод между наружным блоком теплового насоса и гидромодулем должен быть изолирован подходящим изоляционным материалом для труб с коэффициентом теплопроводности $\leq 0,04$ Вт/м*К.

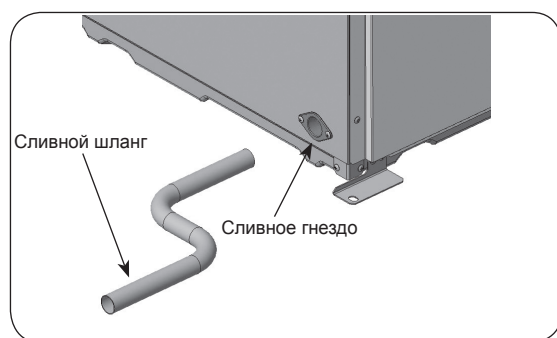
4 Установка

■ Сливной трубопровод (ТОЛЬКО для серии ER)

Дренажный поддон смонтирован, поэтому нет необходимости устанавливать для него дополнительную подставку. Слив должен быть отрегулирован на сливное гнездо слева сзади блока.

Следует установить сливной трубопровод, чтобы обеспечить отвод конденсата при работе в режиме охлаждения.

- Чтобы грязная вода не вытекала на пол возле гидро модуля, пожалуйста, подсоедините соответствующий сливной трубопровод к дренажному поддону гидро модуля.
- Установку сливного трубопровода следует выполнять с особой тщательностью, чтобы предотвратить образование утечек в месте соединения.
- Тщательно изолируйте сливной трубопровод (приобретается отдельно) во избежание просачивания воды.
- Установите сливной трубопровод с уклоном вниз не менее 1/100.
- Не помещайте сливной трубопровод в сливной канал, где присутствует сернистый газ.
- По завершении установки, пожалуйста, убедитесь, что вода надлежащим образом стекает через выходное отверстие сливного трубопровода в соответствующее место слива.



<Рисунок 4.3.1>

<Установка>

1. Сливное гнездо (внутренний диаметр 26 мм) находится слева сзади гидро модуля (рисунок 4.3.1).
2. Закрепите сливную трубу (VP-20), подогнанную под сливное гнездо, при помощи липкой ленты из ПВХ.
3. Установите сливной трубопровод вверх по направлению к выпуску так, чтобы уклон составил больше одной сотой.

Примечание: Чтобы сливной трубопровод (приобретается отдельно) не отсоединился от сливного гнезда и не упал, обеспечьте для него надлежащую опору.



■ Размер расширительного бака

Объем расширительного бака должен соответствовать объему воды в локальной системе. Для расчета объема расширительного бака для контуров отопления используйте приведенные ниже формулу и график. Если необходимый объем расширительного бака превышает объем встроенного бака, установите дополнительный бак объемом, превышающим сумму объемов расширительных баков (встроенного и расчетного).

* При монтаже модели E**T***-M*ED* подготовьте и установите на стороне первичного контура подходящий расширительный бак и дополнительный предохранительный клапан, настроенный на давление 3 бара, поскольку в основной комплектации такой расширительный бак **НЕ ПРЕДУСМОТРЕН**.

$$V = \frac{\epsilon \times G}{1 - \frac{P_1 + 0,098}{P_2 + 0,098}}$$

Где:

V - необходимый объем расширительного бака (л);

ϵ - коэффициент расширения воды;

G - общий объем воды в системе (л);

P_1 - установленное давление расширительного бака (МПа);

P_2 - максимальное рабочее давление (МПа).

График справа для следующих значений:

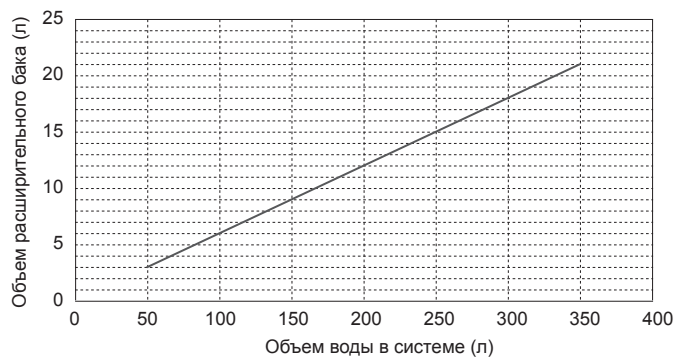
ϵ : при 70°C = 0,0229;

P_1 = 0,1 МПа;

P_2 = 0,3 МПа.

В расчете заложен 30%-ный запас.

Размер расширительного бака



<Рисунок 4.3.2>

4 Установка

■ Характеристики циркуляционного насоса воды

1. Первичный контур

Производительность насоса может быть выбрана в настройках главного контроллера (см. рисунки 4.3.3 - 4.3.7).

Отрегулируйте настройки производительности насоса таким образом, чтобы скорость потока в первичном контуре соответствовала установленному наружному блоку (см. таблицу 4.3.1). Может возникнуть необходимость добавления в систему дополнительного насоса в зависимости от длины и подъема первичного контура.

Второй насос

Если необходима установка второго насоса, руководствуйтесь следующим. При использовании в системе второго насоса существуют два варианта его установки. Положение установки насоса влияет на подключение сигнального кабеля к клеммам FTC. Если ток дополнительного насоса(ов) выше 1 А, используйте подходящее реле. Сигнальный кабель насоса может быть подключен к клеммам TBO.1 1-2 или CNP1, но не к обеим одновременно.

Вариант 1 (только отопление/охлаждение)

Если второй насос используется только для контура отопления, сигнальный кабель должен быть подключен к клеммам 3 и 4 TBO.1 (OUT2). При этом варианте насос может работать с разной производительностью по отношению к встроенному насосу гидромодуля.

Вариант 2 (первичный контур ГВС и отопление/охлаждение)

Если второй насос используется только в первичном контуре между гидромодулем и наружным блоком (только моноблочные системы), то сигнальный кабель должен быть подключен к клеммам 1 и 2 TBO.1 (OUT1). При этом варианте производительность насоса должна соответствовать скорости встроенного насоса гидромодуля.

Примечание: См. 5.2 «Подключение входов/выходов».

Наружный блок теплового насоса		Расход воды (л/мин)
Моноблочная модель	PUZ-WM50	6,5 - 14,3
	PUZ-WM60	8,6 - 17,2
	PUZ-WM85	10,8 - 24,4
	PUZ-WM112	14,4 - 32,1
	PUZ-HWM140	17,9 - 36,9
Модель типа сплит	SUZ-SWM40	6,5 - 11,4
	SUZ-SWM60	7,2 - 17,2
	SUZ-SWM80	7,8 - 21,5
	PUD-S(H)WM60	9,0 - 22,9
	PUD-S(H)WM80	9,0 - 22,9
	PUD-S(H)WM100	14,3 - 34,4
	PUD-S(H)WM120	14,3 - 34,4
	PUD-SHW140	14,3 - 34,4
	PUHZ-FRP71	11,5 - 22,9
	PUHZ-SW75	10,2 - 22,9
	PUHZ-SW100	14,4 - 32,1
	PUHZ-SW120	20,1 - 36,9
	PUHZ-SHW80	10,2 - 22,9
	PUHZ-SHW112	14,4 - 32,1
	PUHZ-SHW140	17,9 - 36,9
PUMY-P112	17,9 - 35,8	
PUMY-P125	17,9 - 35,8	
PUMY-P140	17,9 - 35,8	

<Таблица 4.3.1>

* Если расход воды менее 5,0 л/мин, будет активирована неисправность датчика протока.

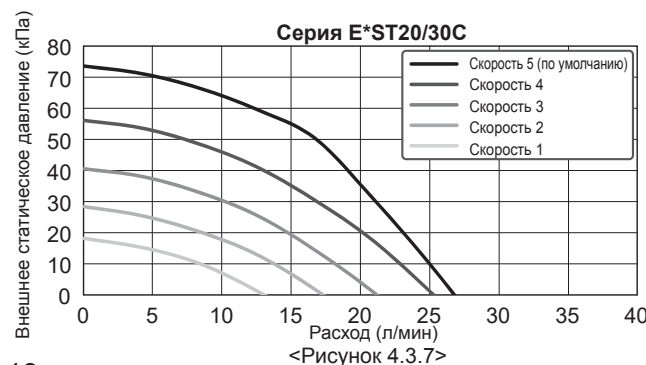
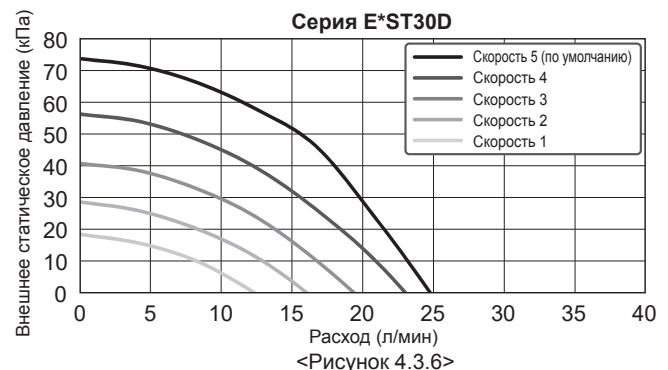
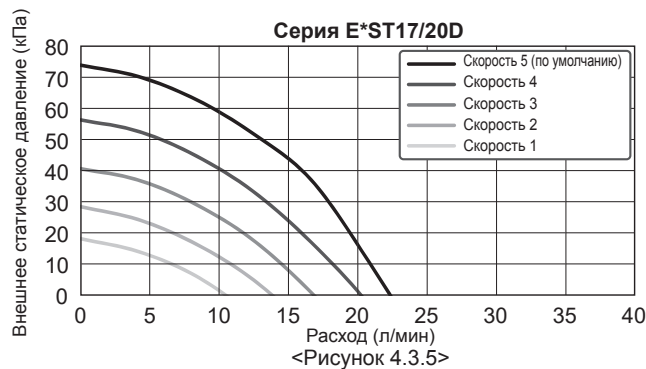
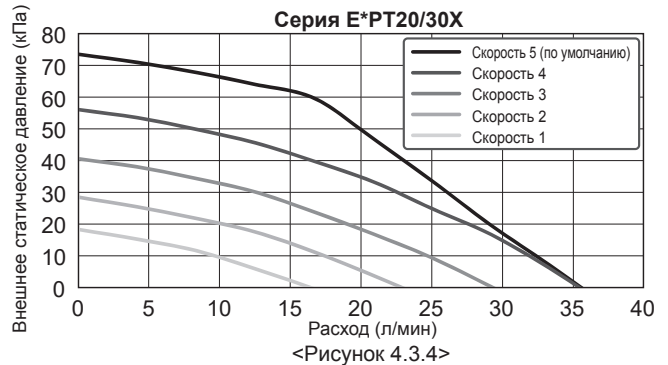
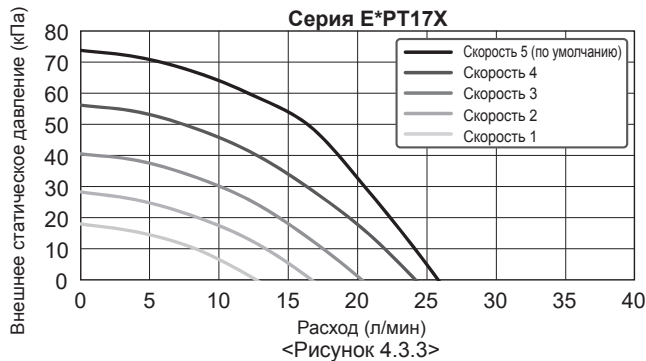
Если расход воды превышает 36,9 л/мин (серия E**T20/30) или 25,8 л/мин (серия E**T17), скорость потока будет больше 2,0 м/с, что может привести к коррозии труб.

2. Контур санитарной воды

По умолчанию: Скорость 2

НЕОБХОДИМО установить циркуляционный насос ГВС на скорость 2.

Характеристики циркуляционного водяного насоса



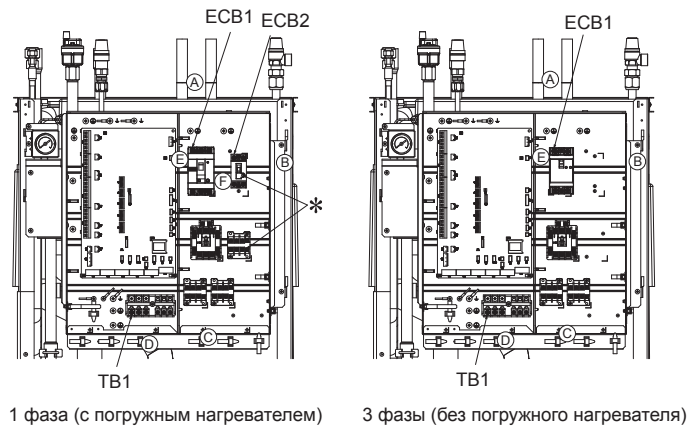
* При установке серии E*PT, установите производительность его насоса с учетом падения давления между гидромодулем и наружным блоком и внешним статическим давлением.

4 Установка

4.4 Электрические соединения

Все электромонтажные работы должны выполняться квалифицированными специалистами. Несоблюдение этого правила может привести к поражению электрическим током, возгоранию и смерти. Также в этом случае гарантия будет недействительна. Вся проводка должна быть выполнена в соответствии с местными нормами.

Наименование	Назначение
ECB1	Автоматический выключатель проточного нагревателя
ECB2	Автоматический выключатель погружного нагревателя
TV1	Клемная колодка 1



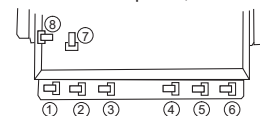
1 фаза (с погружным нагревателем) 3 фазы (без погружного нагревателя)

- Электроснабжение гидромодуля может подводиться двумя способами:
1. Кабель питания подведен от наружного блока к гидромодулю.
 2. Гидромодуль имеет независимый источник питания.

Подключение должно быть выполнено к клеммным колодкам, указанным на следующих рисунках, в зависимости от количества фаз.

Проточный и погружной нагреватели должны быть подключены независимо друг от друга к выделенным источникам питания.

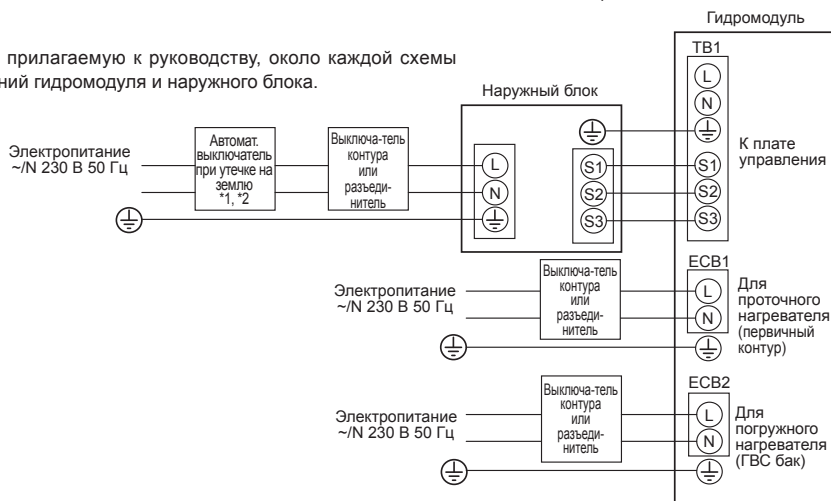
- Провода (приобретаются отдельно) должны быть проведены через входные отверстия, расположенные в верхней части гидромодуля (см. таблицу 3.4).
- Провода ведутся вниз по правой стороне от блока управления и скрепляются стяжками.
- Провода должны быть проведены через кабельные отверстия, как показано ниже.
 - Проводка выхода
 - Межблочное соединение
 - Линия питания (В.Н.) / линия питания (I.N.) (опция)
 - Сигнальная проводка входа
- Подключите соединительный кабель «наружный блок - гидромодуль» к TV1.
- Подключите кабель питания проточного нагревателя к ECB1.
- При наличии погружного нагревателя подключите кабель питания к ECB2.



- Избегайте контакта между проводкой и частями устройства (*).
- Убедитесь, что ECB1 и ECB2 включены.
- После завершения монтажа проводки убедитесь, что кабель главного контроллера подключен к разъему реле.

Гидромодуль подключен к питанию от внешнего блока (Если необходимо использовать автономный источник, посетите сайт Mitsubishi.)
1 фаза

Прикрепите этикетку А, прилагаемую к руководству, около каждой схемы электрических соединений гидромодуля и внешнего блока.



<Рисунок 4.4.1>
Электрические соединения, 1 фаза

1. Если автоматический выключатель при утечке на землю не имеет функции защиты от токов перегрузки, установите выключатель с этой функцией на эту же линию.
2. Должен использоваться автоматический выключатель с зазором между контактами не менее 3,0 мм на каждом полюсе. Используйте выключатель с защитой при утечке токов на землю (NV). Выключатель должен обеспечивать отключение всех активных проводников фаз от питания.
3. Максимально 45 м
Если используется 2,5 мм², максимально 50 м.
Если используется 2,5 мм² и S3 отдельно, максимально 80 м.
4. Значения, указанные в таблице выше, не всегда измерены относительно нулевого проводника.

Наименование нагревателя	Электроснабжение	Мощность	Автом. выкл.	Кабель
Проточный (первичный контур)	~N 230 В 50 Гц	2 кВт	16 А *2	2,5 мм ²
		6 кВт	32 А *2	6,0 мм ²
Погружной (бак ГВС)	~N 230 В 50 Гц	3 кВт	16 А *2	2,5 мм ²

Кольцо проводов x сечение (мм ²)	Гидромодуль - Наружный блок	*3	3 × 1,5 (полярный)
	Гидромодуль - Заземление наружного блока	*3	1 × мин. 1,5
Характеристики контура	Гидромодуль - Наружный блок S1 - S2	*4	230 В пер. тока
	Гидромодуль - Наружный блок S2 - S3	*4	24 В пост. тока

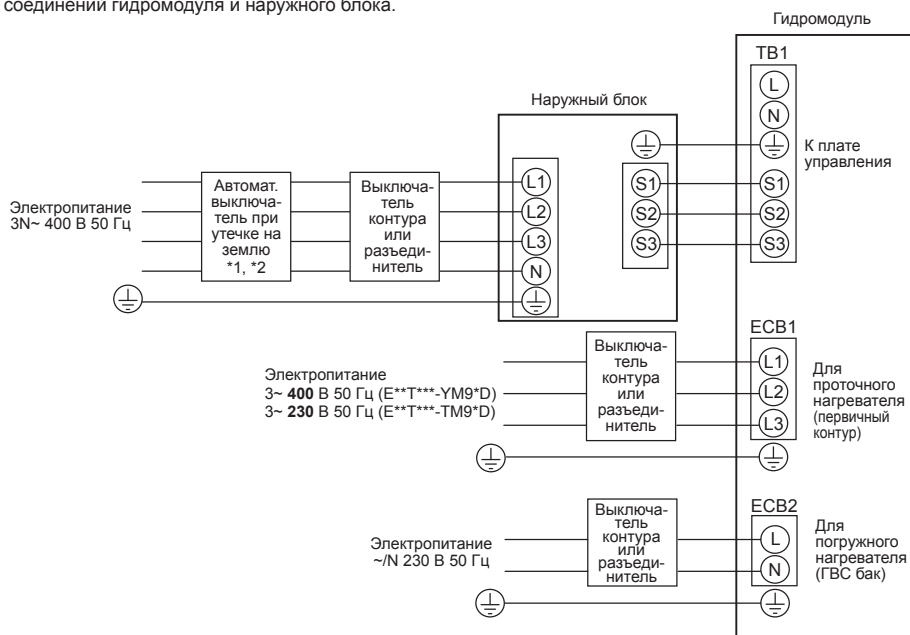
Примечания:

1. Параметры кабеля должны соответствовать местным и федеральным нормам.
2. Для кабелей соединения гидромодуль/наружный блок используется гибкий кабель в полихлоропропеновой изоляции (разработка 60245 IEC 57). Для кабеля питания гидромодуля используется гибкий кабель в полихлоропропеновой изоляции (разработка 60227 IEC 53).
3. Прокладывайте кабель заземления длиннее, чем другие кабели.
4. Обеспечьте достаточную мощность электроснабжения для каждого нагревателя. Отсутствие необходимой мощности электроснабжения может привести к вибрациям.

4 Установка

3 фазы

Прикрепите этикетку А, которая прилагается к руководству, около каждой схемы электрических соединений гидромодуля и наружного блока.



<Рисунок 4.4.2>
Электрические соединения, 3 фазы

Наименование нагревателя	Электропитание	Мощность	Автом. выкл.	Кабель
Проточный (первичный контур)	3~ 400 В 50 Гц	9 кВт	16 А *2	2,5 мм ²
	3~ 230 В 50 Гц	9 кВт	32 А *2	6,0 мм ²
Погружной (бак ГВС)	~/N 230 В 50 Гц	3 кВт	16 А *2	2,5 мм ²

Кол-во проводов x сечение (мм ²)	Гидромодуль - Наружный блок	*3	3 x 1,5 (полярный)
	Гидромодуль - Заземление наружного блока	*3	1 x мин. 1,5
Характеристики контура	Гидромодуль - Наружный блок S1 - S2	*4	230 В пер. тока
	Гидромодуль - Наружный блок S2 - S3	*4	24 В пост. тока

- *1. Если автоматический выключатель при утечке на землю не имеет функции защиты от токов перегрузки, установите выключатель с этой функцией на эту же линию.
- *2. Должен использоваться автоматический выключатель с зазором между контактами не менее 3,0 мм на каждом полюсе. Используйте выключатель с защитой при утечке токов на землю (NV). Выключатель должен обеспечивать отключение всех активных проводников фаз от питания.
- *3. Максимально 45 м
Если используется 2,5 мм², максимально 50 м.
Если используется 2,5 мм² и S3 отдельно, максимально 80 м.
- *4. Значения, указанные в таблице выше, не всегда измерены относительно нулевого проводника.

Примечания:

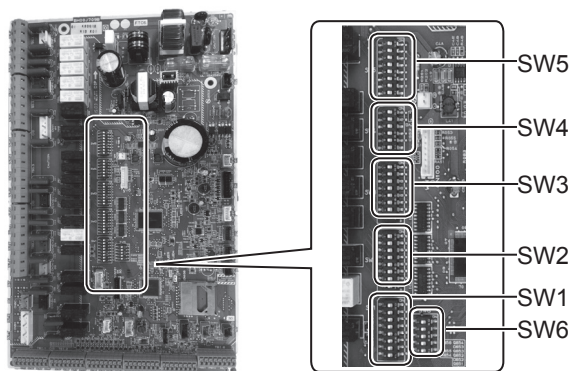
1. Параметры кабеля должны соответствовать местным и федеральным нормам.
2. Для кабелей соединения гидромодуль/наружный блок используется гибкий кабель в полихлоропреновой изоляции (разработка 60245 IEC 57).
Для кабеля питания гидромодуля используется гибкий кабель в полихлоропреновой изоляции (разработка 60227 IEC 53).
3. Прокладывайте кабель заземления длиннее, чем другие кабели.
4. Обеспечьте достаточную мощность электропитания для каждого нагревателя. Отсутствие необходимой мощности электропитания может привести к вибрациям.

5 Настройка системы

5.1 Функции DIP-переключателей

Номер DIP-переключателя напечатан на плате рядом с соответствующим переключателем. Положение «ON» (Вкл.) указано на печатной плате и непосредственно на самом блоке DIP-переключателей. Для переключения между положениями «ON» (Вкл.) и «OFF» (Выкл.) необходимо использовать булавку, уголок тонкой металлической линейки и т.п.

Настройки DIP-переключателей приведены ниже в таблице 5.1.1. Только авторизованный специалист по установке имеет право менять настройки DIP-переключателя под собственную ответственность в соответствии с условиями установки. Обязательно выключите электропитание внутреннего и наружного блоков перед изменением настройки DIP переключателей.



<Рисунок 5.1.1>

DIP-переключатель	Назначение	Выключено	Включено	По умолчанию: гидромодуль			
SW1	SW1-1	Бойлер	Без бойлера	С бойлером	Выкл		
	SW1-2	Макс. темп. воды на выходе из теплового насоса	55°C	60°C	Вкл *1		
	SW1-3	Бак ГВС	Без бака ГВС	С баком ГВС	Вкл		
	SW1-4	Погружной нагреватель	Без погружного нагревателя	С погружным нагревателем	Выкл: Исключающая EHPT20X-MHEDW Вкл : EHPT20X-MHEDW		
	SW1-5	Проточный нагреватель	Без проточного нагревателя	С проточным нагревателем	Выкл: E**T***-M*ED* Вкл : E**T***-M 2/6/9*D		
	SW1-6	Функция проточного нагревателя	Только для отопления	Для отопления и ГВС	Выкл: E**T***-M*ED* Вкл : E**T***-M 2/6/9*D		
	SW1-7	Тип наружного блока	Модель типа сплит	Моноблочный тип	Выкл: E*ST***-M**D Вкл : E*PT**X-*M**D*		
	SW1-8	Беспроводной пульт управления	Без беспроводного пульта управления	С беспроводным пультом управления	Выкл		
SW2	SW2-1	Вход (IN1) изменения логики комнатного термостата 1	Остановка Зоны 1 при замыкании термостата	Остановка Зоны 1 при размыкании термостат	Выкл		
	SW2-2	Вход (IN2) изменения логики датчика протока 1	Определение неисправности при замыкании	Определение неисправности при размыкании	Выкл		
	SW2-3	Ограничение мощности проточного нагревателя	Неактивно	Активно	Выкл: Исключающая E**T***-VM2*D Вкл : E**T***-VM2*D		
	SW2-4	Функция режима охлаждения	Неактивно	Активно	Выкл: EH*T***-M**D* Вкл : ER*T***-M**D*		
	SW2-5	Автопереключение в режим работы резервной системы отопл. (при остановке наружного блока)	Неактивно	Активно *2	Выкл		
	SW2-6	Смесительный бак	Без смесительного бака	Со смесительным баком	Выкл		
	SW2-7	2-зонное управление температурой	Неактивно	Активно *6	Выкл		
	SW2-8	Датчик протока	Без датчика протока	С датчиком протока	Вкл		
SW3	SW3-1	Вход (IN6) изменения логики комнатного термостата 2	Остановка Зоны 2 при замыкании термостата	Остановка Зоны 2 при размыкании термостата	Выкл		
	SW3-2	Вход (IN3) изменения логики датчика протока 2	Определение неисправности при замыкании	Определение неисправности при размыкании	Выкл		
	SW3-3	3-ходовой вентиль	Электродвигатель переменного тока	Шаговый двигатель	Выкл:Исключающая E**T17X/17D/20D-*M**D* Вкл : E**T17X/17D/20D-*M**D*		
	SW3-4	Электросчетчик	Без электросчетчика	С электросчетчиком	Выкл		
	SW3-5	Функция режима отопления *3	Неактивно	Активно	Вкл		
	SW3-6	Двухходовой клапан 2-зонного регулирования	Неактивно	Активно	Выкл		
	SW3-7	Теплообменник для ГВС	Теплообменник в баке ГВС	Внешний пластинчатый теплообменник	Вкл		
	SW3-8	Теплосчетчик	Без теплосчетчика	С теплосчетчиком	Выкл		
SW4	SW4-1	—	—	—	Выкл		
	SW4-2	—	—	—	Выкл		
	SW4-3	—	—	—	Выкл		
	SW4-4	Работает только гидромодуль (при установке) *4	Неактивно	Активно	Выкл		
	SW4-5	Аварийный режим (работает только нагреватель)	Стандартный	Аварийный режим (работает только нагреватель)	Выкл *5		
	SW4-6	Аварийный режим (работает бойлер)	Стандартный	Аварийный режим (работает бойлер)	Выкл *5		
SW5	SW5-1	—	—	—	Выкл		
	SW5-2	Расширенная автоадаптация	Неактивно	Активно	Вкл		
	SW5-3	Код производительности					
	SW5-4		SW5-3	SW5-4	SW5-5	SW5-6	SW5-7
	SW5-5	E**T**C-*M**D	Выкл	Выкл	Выкл	Выкл	Вкл
	SW5-6	E**T**D-*M**D	Выкл	Вкл	Вкл	Выкл	Вкл
	SW5-7	E**T**X-*M**D*	Вкл	Вкл	Вкл	Вкл	Вкл
	SW5-8	—	—	—	—	—	Выкл
SW6	SW6-1	—	—	—	—	Вкл	
	SW6-2	—	—	—	—	Вкл	
	SW6-3	Датчик давления	Неактивно	Активно	Активно	Вкл: Ausgenommen E*ST**D-*M**D Выкл: E*ST**D-*M**D	
	SW6-4	Аналоговый выходной сигнал (0–10 В)	Неактивно	Активно	Активно	Вкл	
	SW6-5	—	—	—	—	Вкл	

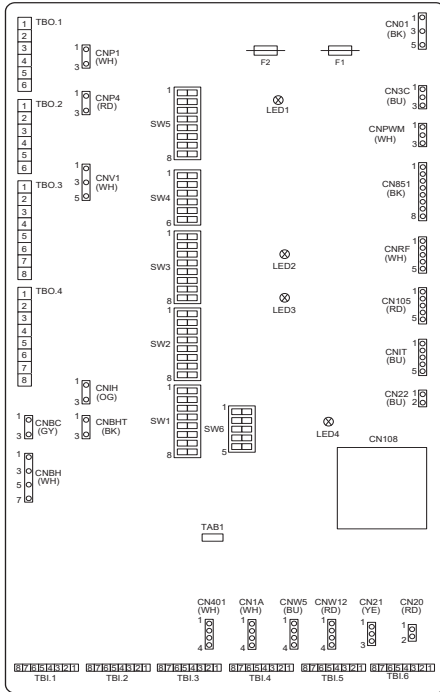
<Таблица 5.1.1>

Примечания:

- *1. Когда гидромодуль подключен к наружному блоку PUMY-P, максимальная температура воды на выходе из которого составляет 55°C, DIP SW1-2 должен быть переключен в положение Выкл.
- *2. OUT11 будет доступен. Из соображений безопасности эта функция недоступна при некоторых ошибках. (Работа должна быть остановлена и только циркуляционный насос воды продолжает работать).
- *3. Этот переключатель функционирует только когда гидромодуль подключен к наружному блоку PUHZ-FRP. При подключенном наружном блоке другого типа, режим отопления активируется независимо, включен этот переключатель или выключен.
- *4. Отопление и ГВС работают только во внутреннем блоке, как и электронагреватель. (См. «5.4 Работа только гидромодуля»).
- *5. Если аварийный режим больше не требуется, верните переключатель в положение Выкл.
- *6. Активно только когда SW3-6 установлен в положение Выкл.

5 Настройка системы

5.2 Подключение входов/выходов



<Рисунок 5.2.1>

Спецификация проводки и части, приобретаемые отдельно

Позиция	Наименование	Тип и характеристики
Функция входного сигнала	Кабель	Провод или кабель с виниловой изоляцией. Максимальная длина 30 м Тип провода: CV, CVS или подобный Сечение провода: многожильный, от 0,13 мм ² до 0,52 мм ²
	Переключатель	Без напряжения (сухой контакт) Дистанционный переключатель: мин. допустимая нагрузка 12 В пост. тока, 1 мА

Примечание: Многожильные провода должны быть изолированы (в соответствии со стандартом DIN46228-4).

Входы сигналов

Символ	Клеммная колодка	Разъем	Позиция	Выкл (разомнут)	Вкл (замкнут)
IN1	TBI.1 7-8	—	Вход комнатного термостата 1 *1	См. SW2-1 в «5.1 Функции DIP-переключателей»	
IN2	TBI.1 5-6	—	Вход датчика протока 1	См. SW2-2 в «5.1 Функции DIP-переключателей»	
IN3	TBI.1 3-4	—	Вход датчика протока 2 (Зона 1)	См. SW3-2 в «5.1 Функции DIP-переключателей»	
IN4	TBI.1 1-2	—	Вход регулятора электропотребления	Стандартно	Источник тепла Выкл/Работа бойлера *3
IN5	TBI.2 7-8	—	Вход наружного термостата *2	Стандартно	Работа нагревателя/Работа бойлера *3
IN6	TBI.2 5-6	—	Вход комнатного термостата 2 *1	См. SW3-1 в «5.1 Функции DIP-переключателей».	
IN7	TBI.2 3-4	—	Вход датчика протока 3 (Зона 2)	См. SW3-2 в «5.1 Функции DIP-переключателей»	
IN8	TBI.3 7-8	—	Электросчетчик 1		
IN9	TBI.3 5-6	—	Электросчетчик 2	*4	
IN10	TBI.2 1-2	—	Теплосчетчик		
IN11	TBI.3 3-4	—	Вход «Smart grid готова»	*5	
IN12	TBI.3 1-2	—			
INA1	TBI.4 1-3	CN1A	Датчик протока	—	—

*1. Установите длительность цикла ВКЛ./ВЫКЛ. комнатного термостата на 10 минут или более; несоблюдение данного требования может привести к повреждению компрессора.

*2. При использовании наружного термостата для управления работой нагревателей, срок службы нагревателей и связанных с ними частей может быть уменьшен.

*3. Для включения бойлера используйте главный контроллер для выбора «Бойлер» в окне «Настройка входа внешнего сигнала» сервисного меню.

*4. Подключаемые электросчетчики и теплосчетчики.

- Счетчик импульсов: Напряжение сухого контакта 12 В пост. тока определяется FTC. (На контактах TBI.2 1, TBI.3 5 и 7 присутствует положительное напряжение)
- Продолжительность импульсов: Минимальное время Вкл: 40 мс
Минимальное время Выкл: 100 мс
- Возможные ед. изм. импульса: 0,1 импульс/кВт*ч 1 импульс/кВт*ч 10 импульс/кВт*ч
100 импульс/кВт*ч 1000 импульс/кВт*ч

Эти значения могут быть установлены с помощью главного контроллера. (Смотрите дерево меню в разделе «Главный контроллер».

*5. Для получения информации относительно «Smart grid готова» см. «5.5 «Smart grid готова»»

Входы сигналов термисторов

Символ	Клеммная колодка	Разъем	Позиция	Оptionные части для моделей
TH1	—	CN20	Термистор (комнатная темп.) (Опция)	PAC-SE41TS-E
TH2	—	CN21	Термистор (темп. жидкого хладагента)	—
THW1	—	CNW12 1-2	Термистор (темп. прямой воды)	—
THW2	—	CNW12 3-4	Термистор (темп. обратной воды)	—
THW5A	—	CNW5 1-2	Термистор (темп. воды бака ГВС верхн.)	—
THW5B	—	CNW5 3-4	Термистор (темп. воды бака ГВС нижн.)	—
THW6	TBI.5 7-8	—	Термистор (темп. прямой воды Зона 1) (Опция) *1	PAC-TH011-E
THW7	TBI.5 5-6	—	Термистор (темп. обратной воды Зона 1) (Опция)*1	
THW8	TBI.5 3-4	—	Термистор (темп. прямой воды Зона 2) (Опция) *1	PAC-TH011-E
THW9	TBI.5 1-2	—	Термистор (темп. обратной воды Зоны 2) (Опция)*1	
THWB1	TBI.6 7-8	—	Термистор (темп. прямой воды Бойлер) (Опция) *1	PAC-TH012HT-E(5 м)/ PAC-TH012HTL-E(30 м)
THW10	TBI.6 5-6	—	Термистор (темп. воды смесительного бака) (Опция) *1	

Прокладывайте провода проводки термисторов удаленно от линии питания и (или) проводов линий OUT1... OUT16.

*1. Максимальная длина проводов термисторов 30 м.

Длина проводки дополнительных термисторов 5 м. При соединении и удлинении проводов необходимо соединять провода с помощью пайки и изолировать каждую клемму от пыли и воды.

1) Спаяйте провода.

2) Заизолируйте каждую точку соединения во избежание попадания пыли и воды. Многожильные провода должны быть изолированы (в соответствии со стандартом DIN46228-4).

5 Настройка системы

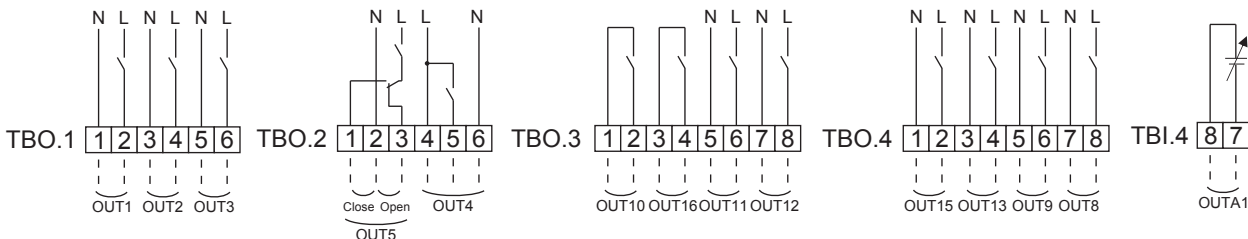
Выходы сигналов

Символ	Клеммная колодка	Разъем	Позиция	Выкл	Вкл	Сигнал / максимальный ток	Макс. суммарный ток
OUT1	TBO.1 1-2	CNP1	Выход водяного циркуляционного насос 1 (отопление/охлаждение и ГВС)	Выкл	Вкл	230 В пер. тока 1,0 А макс. (Пусковой ток 40 А макс.)	4,0 А (а)
OUT2	TBO.1 3-4	—	Выход водяного циркуляционного насос 2 (отопление/охлаждение Зона 1)	Выкл	Вкл	230 В пер. тока 1,0 А макс. (Пусковой ток 40 А макс.)	
OUT3	TBO.1 5-6	—	Выход водяного циркуляционного насос 3 (отопление/охлаждение Зона 2) *1 Выход 2-ходового клапана 2b *2	Выкл	Вкл	230 В пер. тока 1,0 А макс. (Пусковой ток 40 А макс.)	
OUT14	—	CNP4	Выход водяного циркуляционного насоса 4 (ГВС)	Выкл	Вкл	230 В пер. тока 1,0 А макс. (Пусковой ток 40 А макс.)	3,0 А (b)
OUT4	TBO.2 4-6	CNV1	Выход 3-ходового клапана (2-ходовой клапан)	Отопление	ГВС	230 В пер. тока 0,1 А макс.	
	—	CN851	Выход 3-ходового клапана				
OUT5	TBO.2 1-2 TBO.2 2-3	—	Выход смесительного клапана *1	Остановка	Закрыт Открыт	230 В пер. тока 0,1 А макс.	
OUT6	—	CNBH 1-3	Выход проточного нагревателя 1	Выкл	Вкл	230 В пер. тока 0,5 А макс. (реле)	
OUT7	—	CNBH 5-7	Выход проточного нагревателя 2	Выкл	Вкл	230 В пер. тока 0,5 А макс. (реле)	
OUT8	TBO.4 7-8	—	Выход сигнала охлаждения	Выкл	Вкл	230 В пер. тока 0,5 А макс.	
OUT9	TBO.4 5-6	CNIH	Выход погружного нагревателя	Выкл	Вкл	230 В пер. тока 0,5 А макс. (реле)	
OUT11	TBO.3 5-6	—	Выход ошибки	Норма	Ошибка	230 В пер. тока 0,5 А макс.	
OUT12	TBO.3 7-8	—	Выход оттаивания	Норма	Оттаивание	230 В пер. тока 0,5 А макс.	
OUT13	TBO.4 3-4	—	Выход 2-ходового клапана 2a *2	Выкл	Вкл	230 В пер. тока 0,1 А макс.	
OUT15	TBO.4 1-2	—	Сигнал включения компрессора	Выкл	Вкл	230 В пер. тока 0,5 А макс.	
OUT10	TBO.3 1-2	—	Выход бойлера	Выкл	Вкл	Сухой контакт • 220 - 240 В пер. ток, (30 В пост. ток) 0,5 А или менее • 10 mA, 5 В пост. тока или более	—
OUT16	TBO.3 3-4	—	Сигнал ВКЛ. термостата обогрева/охлаждения	Выкл	Вкл		
OUTA1	TBI.4 7-8	—	Аналоговый выход	0 - 10В		0 - 10 В пост. ток 5 mA макс.	—

Не подключайтесь к клеммам, обозначенным «—» в ячейках столбца «Клеммная колодка».

1. Для 2-зонного отопления.

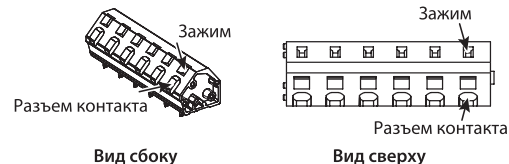
2. Для 2-зонного регулирования двухходовыми клапанами.



Использование TBO.1 ... 4

Характеристики кабеля (приобретается отдельно)

Позиция	Наименования	Модель и характеристики
Функция внешнего выхода	Кабель выхода	Экранированный провод или кабель с виниловой изоляцией. Максимальная длина кабеля 30 м. Тип кабеля: CV, CVS или подобный. Площадь сечения кабеля: многожильный от 0,25 мм ² до 1,5 мм ² одножильный: от Ø0,57 мм до Ø1,2 мм



Подключите в соответствии с одной из указанных выше схем.
<Рисунок 5.2.2>

Примечания:

- При подаче электропитания к гидромодулю от наружного блока, максимальный суммарный ток (а) + (b) = 3,0 А.
- Не подключайте несколько водяных циркуляционных насосов непосредственно к каждому выходу (OUT1, OUT2 и OUT3). В этом случае подключите их через реле.
- Не подключайте водяные циркуляционные насосы к TBO.1 1-2 и CNP1 одновременно.
- Подключите соответствующий разрядник к OUT10 (TBO.3 1-2) в зависимости от нагрузки на месте.
- Многожильные провода должны быть изолированы (в соответствии со стандартом DIN46228-4).
- Используйте то же, что и в случае с проводом сигнального входа для OUTA1.

5.3 Электрические соединения для 2-зонного отопления

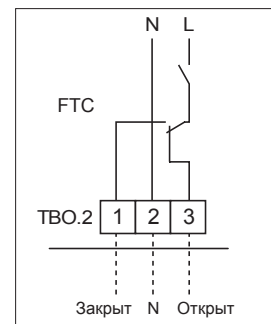
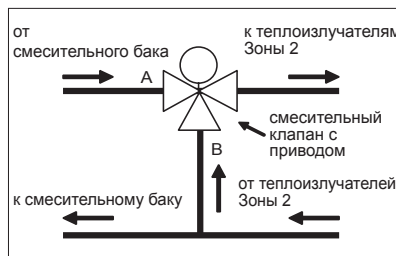
Подключите трубопроводы и части, приобретаемые отдельно, в соответствии со схемой контура, показанной в п. «Местная система» раздела 3 настоящего руководства.

<Смесительный клапан>

Подключите сигнальную линию для открытия порта А (порт входа горячей воды) к TBO. 2-3 (открыт), сигнальную линию для открытия порта В (порт входа холодной воды) к TBO. 2-1 (закрыт) и нейтральный провод к TBO. 2-2 (N).

<Термистор>

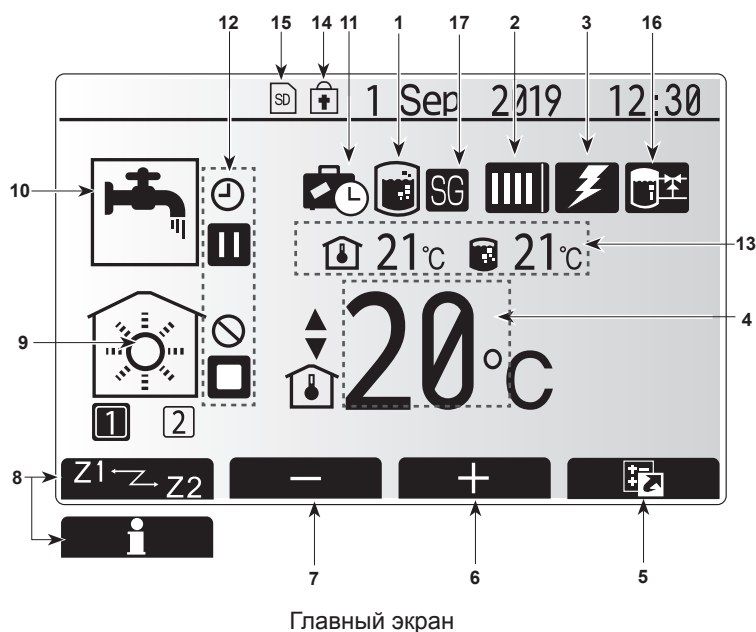
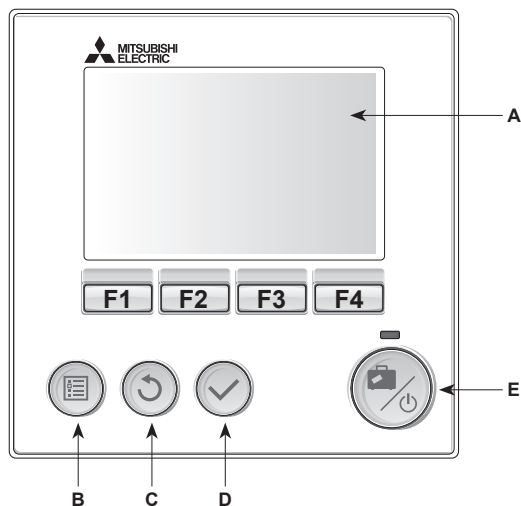
- Не устанавливайте термисторы на смесительный бак.
- Установите термистор температуры потока Зоны 2 (ТНW8) вблизи смесительного клапана.
- Максимальная длина провода термистора — 30 м.
- Длина проводки дополнительных термисторов — 5 м. При соединении и удлинении проводов необходимо выполнить следующее.
 - Спаяйте провода.
 - Заизолируйте каждую точку соединения во избежание попадания пыли и воды.



5 Настройка системы

5.7 Главный контроллер

Для изменения настроек системы обогрева/охлаждения используйте основной контроллер, который находится на передней панели гидромодуля или гидроблока. Для просмотра основных настроек воспользуйтесь следующими рекомендациями. За более подробной информацией обращайтесь в организацию, отвечающую за монтаж, или к дилеру Mitsubishi Electric. Режим охлаждения доступен только для серии ERS. При этом режим охлаждения недоступен, когда внутренний блок подключен к PУНЗ-FRP.



Главный экран

<Компоненты главного контроллера>

Символ	Наименование	Функция
A	Экран	Экран отображения всей информации.
B	Меню	Доступ к настройкам системы для начальной установки и редактирования.
C	Назад	Возврат в предыдущее меню.
D	Подтвердить	Используется для выбора или сохранения (Ввод).
E	Питание/режим отпуска	Если система отключена, нажатие кнопки один раз включит систему. Повторное нажатие при включенной системе активирует режим отпуска. Удержание кнопки нажатой в течение 3 секунд выключит систему. (*1)
F1-4	Функциональные кнопки	Используются для прокрутки меню и регулировки параметров. Функция определяется экранным меню, видимым на экране A.

*1. Когда система выключена или питание отключено, функции защиты гидромодуля (например, защита от замерзания) не будут работать. Учтите, что без включения этих защитных функций гидромодуль может быть поврежден.

<Символы главного экрана>

	Символ	Описание
1	Режим обеззараживания	Когда отображается этот символ, активирован режим обеззараживания (профилактика легионеллы).
2	Тепловой насос	Работает тепловой насос.
		Оттаивание.
		Экстренное отопление.
		Включен бесшумный режим.
3	Электрический нагреватель	Этот символ отображает использование «электрического нагревателя» (погружного или проточного)
4	Целевая температура	Целевая температура потока.
		Целевая температура в помещении.
		Погодозависимое отопление.
5	Опции	При нажатии функциональной кнопки под этим символом будет отображаться меню быстрого просмотра.
6	+	Увеличение целевой температуры.
7	-	Уменьшение целевой температуры.
8	Z1 Z2	Нажатие функциональной кнопки под этим символом переключает между Зоной 1 и Зоной 2.
	Информация	При нажатии функциональной кнопки под этим символом отображается окно информации.
9	Режим отопления/охлаждения	Режим отопления Зоны 1 и Зоны 2.
		Режим охлаждения Зоны 1 и Зоны 2.
10	Режим ГВС	Стандартный или Экономичный режим.
11	Режим отпуска	Отображается при активном «режиме отпуска».
12		Таймер
		Запрет
		Контроль сервера
		Режим ожидания
		Режим ожидания (*2)
		Остановка
13	Текущая температура	Текущая комнатная температура
		Текущая температура воды в баке ГВС
14		Кнопка меню заблокирована или переключение режима работы между ГВС и Отоплением отключено в окне Опции. (*3)
15		SD-карта памяти вставлена. Нормальная работа.
		SD-карта памяти вставлена. Неисправность.
16	Контроль буферной емкости	Когда отображается этот символ, активирован режим «Контроль буферной емкости».
17	Smart grid готова	Когда отображается этот символ, активирован режим «Умные сети электроснабжения».

*2. Данное устройство в режиме ожидания во время приоритетной работы другого (других) блока.

*3. Чтобы заблокировать или разблокировать "Меню" нажмите кнопки «Назад» и «Подтвердить» одновременно в течение 3 секунд.

ru

5 Настройка системы

■ [Мастер начальной настройки]

При первом включении главного контроллера автоматически поочередно включаются экран установки языка, экран установки даты и времени и экран меню с основными настройками. Введите требуемое число, используя функциональные клавиши, и нажмите ПОДТВЕРДИТЬ.

Примечание:

<ОГРАНИЧЕНИЕ МОЩНОСТИ НАГРЕВАТЕЛЯ>

Эта настройка ограничивает мощность прот. нагревателя. Эту настройку нельзя изменить после запуска.

Если в вашей стране нет специальных требований (например, соответствие строительным нормам), пропустите эту настройку (выберите «Нет»).

- [Горячая вода(ГВС)]
- [Отопление]/[Охлаждение]
- [Режим работы (ВКЛ/ЗАПРЕЩЕНО/ТАЙМЕР)]
- [Скорость насоса]
- [Диап проп способн тепл насоса]
- [Управ.смесительным клапаном]
- [ОГРАНИЧ МОЩНОСТИ НАГРЕВАТ]



■ Главное меню настроек

Главное меню настроек выводится при нажатии кнопки Меню. Для снижения риска случайного изменения настроек неопытными конечными пользователями, существует два уровня доступа к главным настройкам и защищенное паролем сервисное меню.

Уровень Пользователей - короткое нажатие

Если кнопка Меню нажата один раз в течение короткого времени, будут отображаться главные настройки, но без функции редактирования. Это позволяет пользователю просматривать текущие настройки, но не изменять их параметры.

Уровень Установщиков - долгое нажатие

Если кнопку Меню нажать и удерживать в течение 3 секунд, отобразятся главные настройки с возможностью редактирования всех параметров.

Происходит инвертирование цвета кнопок ◀ ▶, как показано на рисунке справа. <Рисунок 5.7.1>

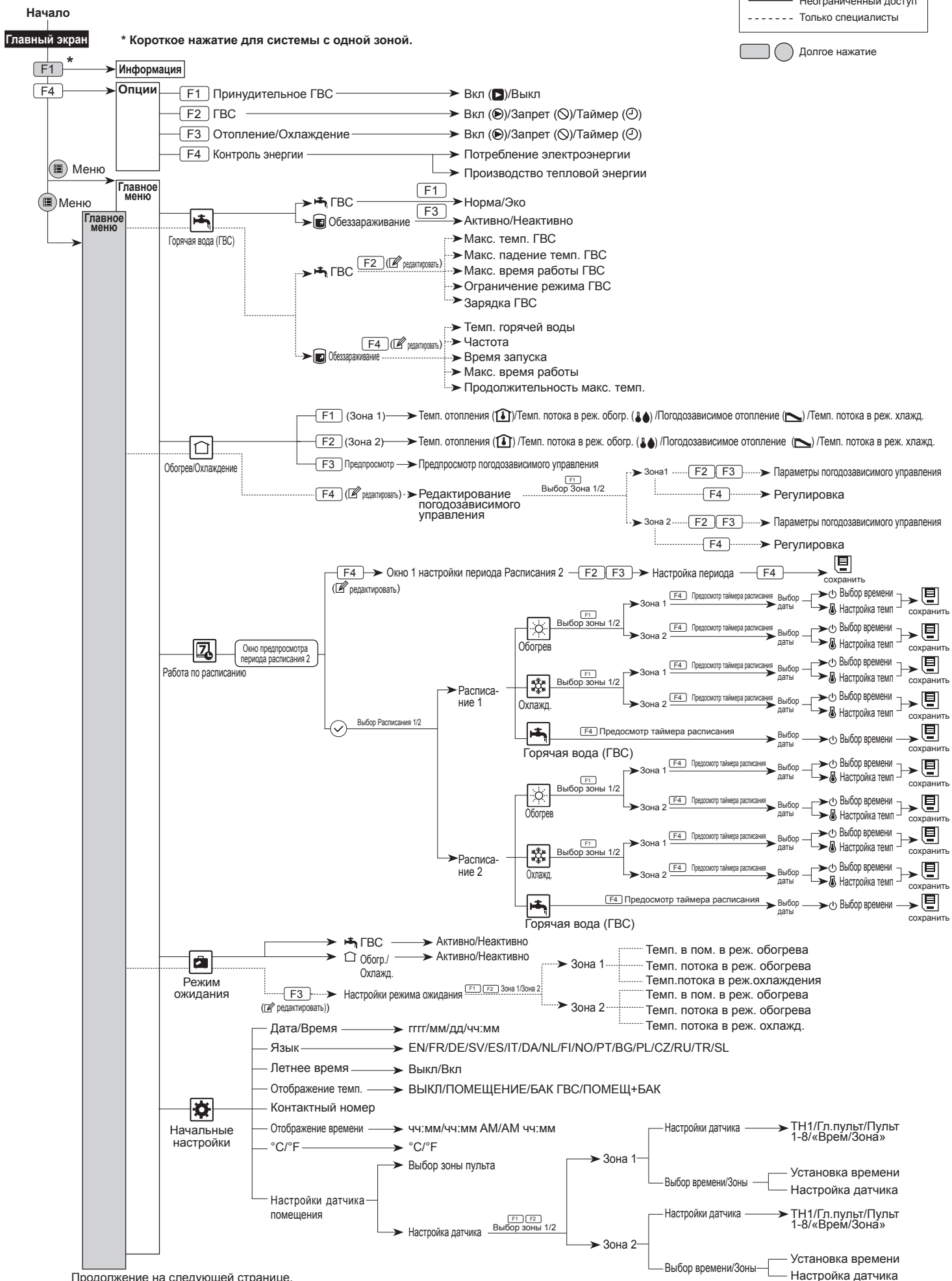
Следующие элементы можно просматривать и/или редактировать (в зависимости от уровня доступа):

- [Горячее Водоснабжение (ГВС);]
- [Отопление/охлаждение;]
- [Программируемый таймер;]
- [Режим отпуска;]
- [Начальные настройки;]
- [Сервисное меню (защищено паролем)]



5 Настройка системы

Дерево меню главного контроллера



— Неограниченный доступ
 - - - - - Только специалисты

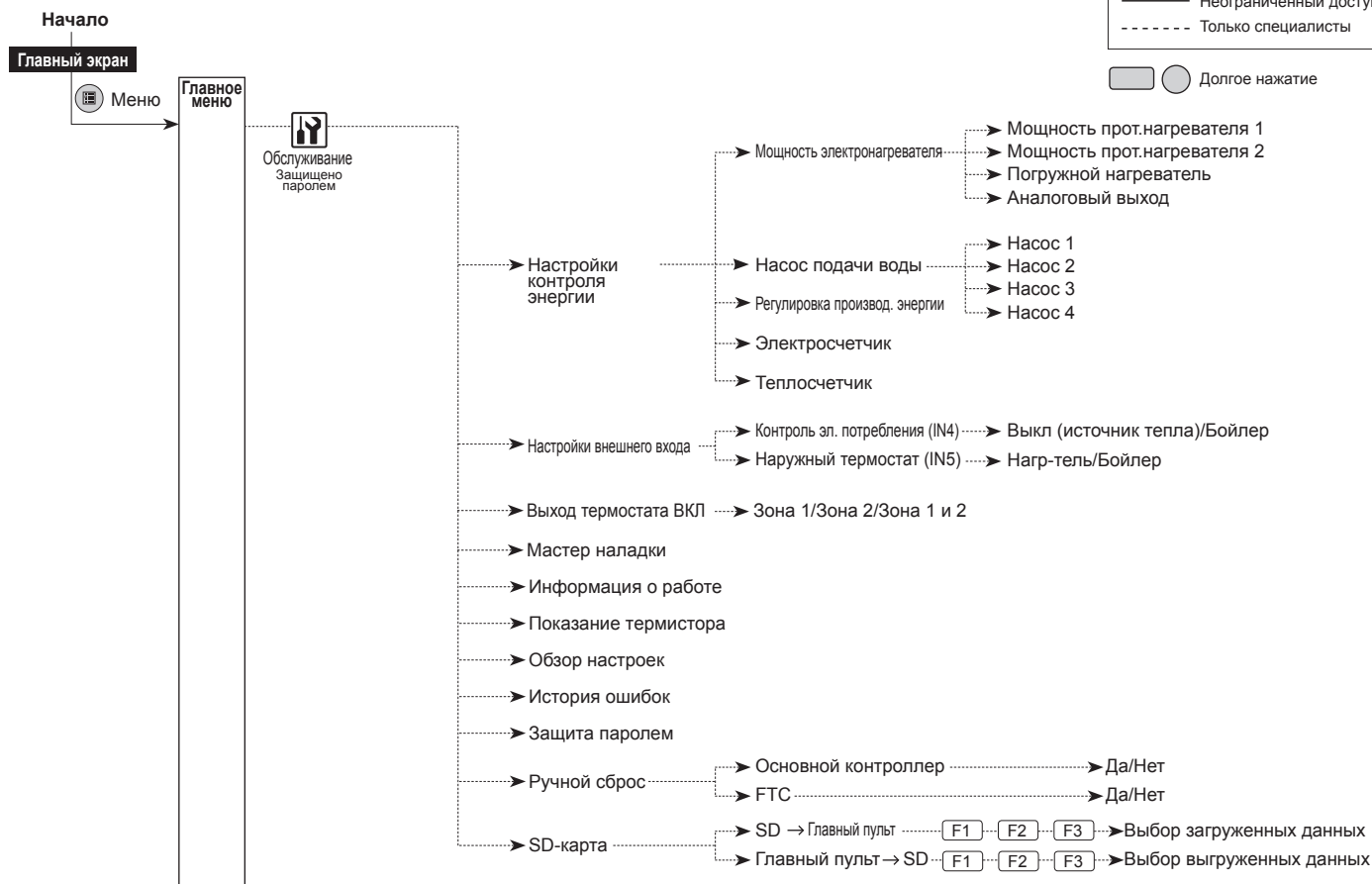
☐ Долгое нажатие

Продолжение на следующей странице.

5 Настройка системы

Начало на предыдущей странице.

Дерево меню главного контроллера



Горячее водоснабжение (ГВС)/Режим обеззараживания

Меню режимов «Горячее водоснабжение» и «Режим обеззараживания» управляет нагревом бака ГВС.

<Настройка режима ГВС>

1. Выделите символ ГВС и нажмите Подтвердить.
2. Используйте кнопку F1 для переключения между Стандартным и Экономичным режимами.
3. Для изменения режима нажмите и удерживайте в течение 3 секунд кнопку Меню, затем выберите ГВС.
4. Нажмите кнопку F2 для отображения меню настройки ГВС.
5. Используйте кнопки F2 и F3 для прокрутки меню выбирая нужный компонент нажатием Подтвердить. См. таблицу ниже с описанием каждой настройки.
6. Введите нужное значение используя функциональные кнопки и нажмите Подтвердить.



Меню подзаголовков	Функция	Диапазон	Ед. изм.	По умолчанию
Макс. темп. ГВС	Желаемая температура воды в баке ГВС.	40 - 60	°C	50
Падение макс. темп. ГВС	Разница температуры между макс. температурой ГВС и температурой, при которой режим ГВС перезапускается.	5 - 30 *	°C	10
Макс. время работы ГВС	Макс. время, отведенное для нагрева воды в режиме ГВС.	30 - 120	минута	60
Ограничение режима ГВС	Период времени после режима ГВС, когда режим отопления имеет приоритет над режимом ГВС, временно предотвращая дальнейший нагрев воды. (Только когда макс. время работы ГВС прошло).	30 - 120	минута	30

* Когда макс. темп. ГВС установлена на значение выше 55°C, в целях защиты устройства температура, при которой происходит перезапуск режима ГВС, должна быть меньше 50°C.

<Экономичный режим>

Режим ГВС может работать как в стандартном, так и в экономичном режиме. При стандартном режиме вода в баке ГВС будет нагреваться быстрее, используя полную мощность теплового насоса. Экономичный режим занимает немного больше времени для нагрева воды в баке ГВС, но расход энергии снижается. Это происходит потому, что работа теплового насоса ограничивается сигналами от FTC на основе измерений температуры воды в баке ГВС.

Примечание:

Фактическая экономия энергии в экономичном режиме будет варьироваться согласно температуре наружного воздуха.

<[Зарядка ГВС]>

Выберите количество ГВС. Если вода нужна гораздо горячее, выберите «БОЛЬШОЙ», но увеличить эксплуатационные расходы.

Вернитесь в меню ГВС/режим обеззараживания.

ru

5 Настройка системы

Настройка режима обеззараживания (профилактика легионеллы)

1. Используйте кнопку F3 для активации режима обеззараживания, Да/Нет.
2. Для редактирования функций режима нажмите и удерживайте в течение 3 секунд кнопку Меню и выберите «горячая вода», затем нажмите кнопку F4.
3. Используйте кнопки F1 и F2 для прокрутки меню, выбирая нужный подзаголовок нажатием кнопки Подтвердить. Смотрите таблицу ниже с описанием каждой настройки.
4. Введите желаемое значение используя функциональные кнопки и нажмите Подтвердить.

В режиме обеззараживания вода в баке нагревается до температуры выше 60°C, за счет этого происходит обеззараживание. Настоятельно рекомендуется делать это на регулярной основе. Используйте местные нормы по частоте нагрева.

Примечание: В случае неисправности гидромодуля, режим обеззараживания может работать неправильно.

При LP режиме кроме энергии теплового насоса, используются электронагреватели. Нагрев воды в течении длительного времени приводит к увеличению эксплуатационных расходов. Установщик должен очень внимательно настраивать параметры режима, избегая чрезмерного и излишне частого нагрева воды. В свою очередь, конечный пользователь должен понимать важность и необходимость этой процедуры.
Всегда соблюдайте местные нормы и правила в отношении профилактики легионеллы.

Подзаголовки меню	Функция	Диапазон	Ед. изм.	По умолчанию
Температура горячей воды	Желаемая температура горячей воды в баке ГВС.	60–70	°C	65
Частота	Время между нагревами бака горячей воды в режиме обеззараживания.	1–30	день	15
Время запуска	Время запуска режима обеззараживания.	0:00–23:00	-	03:00
Макс. время работы	Макс. время нагрева воды в баке в режиме обеззараживания.	1–5	час	3
Продолжительность макс. темп.	Период времени после достижения желаемой температуры воды в режиме LP	1–120	минута	30

Начальные настройки

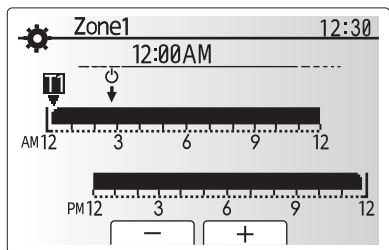
Из меню начальных настроек Установщик может настроить следующее:

- [Дата/Время] *Установите на местное стандартное время.
- [Язык]
- [Летнее время]
- [Отображение температуры]
- [Контактный номер]
- [Отображение времени]
- [°C/°F]
- [Настройки датчика в помещении]

Следуйте процедуре, описанной в разделе «Общие операции», для настройки.

<[Настройки датчика в помещении]>

Для настройки датчика в помещении важно выбрать верный комнатный датчик в зависимости от режима работы системы отопления.



Окно настройки расписания Время/Зона

Меню	Описание																
Выбор зоны пульта управления	При активном двухзонном управлении температурой и подключенных беспроводных пультах в окне выбора зоны пульта управления выберите номер зоны, назначаемый каждому пульту управления.																
Настройка датчика	В окне настройки датчика выберите датчик в помещении, который будет использоваться для контроля комнатной температуры отдельно в Зоне 1 и Зоне 2.																
	Опции управления (руководстве на веб-сайте)	Соответствующие начальные настройки датчика в помещении															
		<table border="1"> <thead> <tr> <th></th> <th>Зона 1</th> <th>Зона 2</th> </tr> </thead> <tbody> <tr> <td>A</td> <td>Пульты 1-8 (по одному для Зоны 1 и Зоны 2)</td> <td>*1</td> </tr> <tr> <td>B</td> <td>ТН1</td> <td>*1</td> </tr> <tr> <td>C</td> <td>Главный контроллер</td> <td>*1</td> </tr> <tr> <td>D</td> <td>*1</td> <td>*1</td> </tr> </tbody> </table>		Зона 1	Зона 2	A	Пульты 1-8 (по одному для Зоны 1 и Зоны 2)	*1	B	ТН1	*1	C	Главный контроллер	*1	D	*1	*1
	Зона 1	Зона 2															
A	Пульты 1-8 (по одному для Зоны 1 и Зоны 2)	*1															
B	ТН1	*1															
C	Главный контроллер	*1															
D	*1	*1															
	При использовании разных датчиков согласно расписанию	Время/Зона *2															

- *1. Не указано (если используются термостаты, приобретаемые отдельно) Пульты 1-8 (по одному для Зоны 1 и Зоны 2) (если беспроводные пульты используются как комнатные термостаты).
- *2. В окне настройки датчика выберите Время/Зона, чтобы сделать возможным использование разных датчиков в помещениях согласно времени расписания, установленного в меню выбора времени/зоны. Комнатный датчик может быть включен до 4 раз в течение 24 часов.

[Сервисное] меню

Сервисное меню предоставляет функции для использования установщиком или сервисным инженером. Оно не предназначено для изменения настроек владельцем дома. По этой причине, для предотвращения несанкционированного доступа к сервисным настройкам, необходима защита доступа паролем.

Заводской пароль по умолчанию «0000».

Следуйте процедуре, описанной в разделе «Общие операции» для настройки.

Многие функции не могут быть установлены во время работы гидромодуля. Установщик должен выключить гидромодуль, прежде чем пытаться настроить эти функции. Если установщик попытается изменить настройки во время работы устройства, главный контроллер будет отображать напоминание, предлагающее установщику остановить работу устройства перед продолжением. При выборе «Да» устройство прекращает работу.

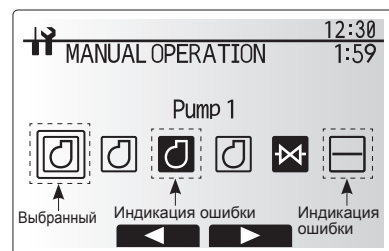
<[Ручной режим]>

Во время заполнения системы циркуляционный насос и 3-ходовой вентиль первичного контура могут быть переопределены вручную, с помощью ручного режима работы.

При выбранном ручном режиме на экране появляется небольшой символ таймера. Когда выбрана эта функция, она будет оставаться в ручном режиме не более 2 часов. Это сделано для предотвращения случайного постоянного переопределения FTC.

► Пример.

Нажатие кнопки F3 включает ручной режим работы главного 3-ходового вентиля. Когда заполнение бака ГВС завершено, установщик должен снова получить доступ к этому меню и нажать F3 для деактивации ручного режима 3-ходового клапана. Другой вариант: через 2 часа ручной режим работы будет неактивен и FTC возобновит управление гидромодулем.



Окно меню ручного режима

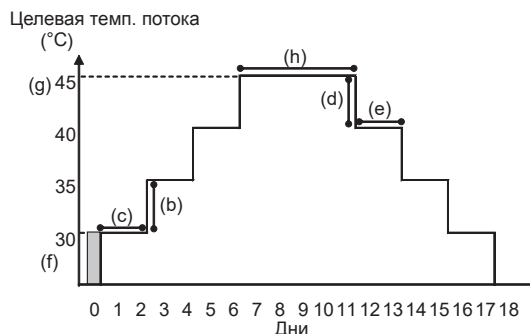
5 Настройка системы

Ручной режим и настройка источника тепла не могут быть выбраны во время работы системы. Экран будет отображать обращение с запросом к установщику на остановку системы перед активацией этих режимов. Система автоматически останавливается через 2 часа, после последней операции.

<[Функция сушки бетонной стяжки]>

Функция сушки бетонной стяжки автоматически изменяет целевую температуру горячей воды в процессе постепенного высушивания бетона, когда установлен данный тип системы обогрева полов.

После завершения работы система останавливает все операции, кроме функции защиты от замерзания. Для функции сушки бетонной стяжки целевая температура потока Зоны 1 такая же, как и для Зоны 2.



- Если подключен наружный блок PUNZ-FRP, эта функция недоступна.
- Отключите провод от входа комнатного термостата, регулятора электропотребления и наружного термостата, иначе целевая температура потока может не поддерживаться.

Функция	Символ	Описание	Диапазон	Ед. изм.	По умолчанию
Функция сушки бетонной стяжки	a	Включите функцию и включите систему с помощью главного контроллера, действие функции сушки полов будет запущено.	Вкл/Выкл	—	Выкл
Температура потока (увеличение)	b	Устанавливает шаг увеличения целевой температуры потока.	+1 - +10	°C	+5
	c	Устанавливает период, на который сохраняется одинаковая целевая темп. потока.	1 - 7	день	2
Температура потока (снижение)	d	Устанавливает шаг снижения целевой температуры потока.	-1 - -10	°C	-5
	e	Устанавливает период, на который сохраняется одинаковая целевая темп. потока.	1 - 7	день	2
Целевая температура	f	Устанавливает целевую темп. потока при запуске и окончании работы.	20 - 60	°C	30
	g	Устанавливает максимальную целевую темп. потока.	20 - 60	°C	45
	h	Устанавливает период, на который сохраняется одинаковая макс. темп. потока.	1 - 20	день	5

<[Защита паролем]>

Защита паролем используется для предотвращения несанкционированного доступа к сервисному меню неподготовленных лиц.

Сброс пароля

Если вы забыли введенный пароль или кто-то другой устанавливал пароль при обслуживании, Вы можете сбросить пароль до заводской настройки 0000.

1. В меню главных настроек прокрутите функции вниз до выделения сервисного меню.
2. Нажмите Подтвердить.
3. Вам будет предложено ввести пароль.
4. Нажмите одновременно и удерживайте в течение 3 секунд кнопки F3 и F4.
5. Отображается запрос на продолжение и сброс пароля до заводских настроек.
6. Для сброса пароля нажмите F3.
7. Теперь пароль 0000.

<[Ручной сброс]>

С помощью функции ручного сброса возможно восстановление заводских настроек в любое время. Обратите внимание, что это приведет к сбросу к заводским настройкам ВСЕХ настроек.



Окно ввода пароля



Окно подтверждения пароля

6 Ввод в эксплуатацию

■ Подготовка к вводу в эксплуатацию (контур питьевой воды и ГВС)

Первоначальное заполнение системы:

Убедитесь, что все соединения труб и фитингов герметичны и надежно закреплены.

Откройте самый удаленный кран выхода горячей воды.

Медленно и постепенно откройте главную подачу воды для начала заполнения системы и трубопроводов ГВС.

Выпустите/продуйте через самый удаленный кран остаточный воздух из системы.

Закройте кран выхода горячей воды из системы, сохраняя систему полностью заполненной водой.

Примечание: Если установлен погружной нагреватель, не активируйте нагреватель до тех пор, пока бак ГВС не заполнится водой. Также не включайте нагреватель, если в баке ГВС остались какие-либо химические вещества после промывки, так как это вызовет преждевременный выход из строя нагревателя.

Первоначальная промывка системы:

Активируйте систему для нагрева воды в баке до температуры, примерно, 30 - 40°C.

Промойте систему, слив воду для удаления примесей/осадков, оставшихся в системе после монтажных работ. Используйте сливной кран гидромодуля для безопасного слива нагретой воды через соответствующий шланг.

По завершению закройте сливной кран, еще раз заполните систему водой и продолжите пуско-наладочные работы.

■ Коды неисправностей

Код	Неисправность	Действие
L3	Температура циркулирующей воды, защита от перегрева	Скорость потока может быть уменьшена по причинам: • Утечка воды • Блокировка фильтра • Функция циркуляционного насоса воды (код ошибки может отображаться при заполнении первичного контура. Завершите заполнение и сбросьте код ошибки.)
L4	Температура воды бака ГВС, защита от перегрева	Проверьте погружной нагреватель и его разъем.
L5	Неисправность термистора гидромодуля (THW1, THW2, THW5A, THW5B, THW6, THW7, THW8, THW9)	Проверьте сопротивление термистора.
L6	Защита циркулирующей воды от замерзания	Смотрите действие для L3.
L8	Неисправность работы отопления	Проверьте и повторно прикрепите все термисторы, которые были смещены.
L9	Датчик протока (датчики 1, 2, 3) определяет низкий поток первичного контура	Смотрите действие для L3. Если датчик протока или реле протока не работает, замените его. Внимание: клапаны насоса могут быть горячими, будьте осторожны.
LA	Неисправность датчика давления	Проверьте кабель датчика давления на повреждения и надежность подключения.
LB	Защита от повышения давления	• Уменьшена скорость потока в контуре отопления. Проверьте водяной контур. • Забился пластинчатый теплообменник. Проверьте пластинчатый теплообменник. • Неисправен наружный блок. См. руководство по обслуживанию наружного блока.
LC	Температура циркулирующей воды бойлера, защита от перегрева	Проверьте, не превышает ли установленная температура бойлера, ограничение. (См. инструкцию к термисторам «PAC-TH012HT-E».) Уменьшение скорости потока контура отопления от бойлера. Проверьте: • Утечка воды • Блокировка фильтра • Работу циркуляционного насоса воды.
LD	Неисправность термистора бойлера (THWB1)	Проверьте сопротивление термистора.
LE	Неисправность работы бойлера	Смотрите действия для L8. Проверьте состояние бойлера.
LF	Неисправность датчика протока	Проверьте кабель датчика протока на повреждения и надежность подключения.
LH	Защита циркулирующей воды бойлера от замерзания	Уменьшена скорость потока контура отопления от бойлера. Проверьте: • Утечка воды • Блокировка фильтра • Функция циркуляционного насоса воды.
LJ	Ошибка работы ГВС (тип внешнего пластинчатого теплообменника)	• Проверьте подключение термистора пониженной темп. воды бака ГВС (THW5B). • Уменьшена скорость потока в контуре санитарной воды. • Проверьте функции циркуляционного водяного насоса (первичный/санитарный).
LL	Ошибка настройки DIP-переключателей на плате управления FTC	Для работы бойлера убедитесь, что DIP SW1-1 установлен на Вкл. (с бойлером) и DIP SW2-6 установлен на Вкл. (со смесительным баком). Для 2-зонного управления температурой убедитесь, что DIP SW2-7 установлен на Вкл. (2-зоны) и DIP SW2-6 установлен на Вкл. (со смесительным баком).
LP	Выход за пределы диапазона пропускной способности для наружного блока теплового насоса	Проверьте монтаж. Таблица 4.3.1. Проверьте настройки контроллера (Меню обслуживания/Диап. проп. насоса) Смотрите действия для L3.
P1	Неисправность термистора комнатной температуры (TH1)	Проверьте сопротивление термистора.
P2	Неисправность термистора температура жидкого хладагента (TH2)	Проверьте сопротивление термистора.
P6	Защита от обмерзания пластинчатого теплообменника	Смотрите действие для L3. Проверьте количество хладагента.
J0	Ошибка коммуникации между FTC и приемником беспроводных сигналов	Проверьте соединительный кабель на повреждения и надежность подключения.
J1 - J8	Ошибка коммуникации между приемником беспроводного сигнала и пультом управления	Проверьте батарейки беспроводного пульта управления. Проверьте парность беспроводного приемника сигналов и пульта управления. Протестируйте беспроводную связь. (См. инструкцию беспроводной системы.)
E0 - E5	Ошибка коммуникации между главным контроллером и FTC	Проверьте соединительный кабель на повреждения и надежность соединений.
E6 - EF	Ошибка коммуникации между FTC и наружным блоком	Убедитесь, что наружный блок не выключен. Проверьте соединительный кабель на повреждения и надежность соединений. См. руководство по обслуживанию наружного блока.
E9	Наружный блок не принимает сигнал от внутреннего блока	Проверьте, что оба блока включены. Проверьте соединительный кабель и надежность соединений. См. руководство по обслуживанию наружного блока
EE	Неправильная комбинация FTC и наружного блока	Проверьте комбинацию FTC и наружного блока.
U*, F*	Неисправность наружного блока	См. руководство по обслуживанию наружного блока.
A*	Ошибка связи M-NET	См. руководство по обслуживанию наружного блока.

Примечание: для сброса кодов неисправностей выключите систему. (Нажмите кнопку F4(RESET) на главном контроллере.)

7 Сервис и техническое обслуживание

■ Ежегодное обслуживание

Важно, чтобы обслуживание гидромодуля осуществлялось не реже одного раза в год квалифицированным специалистом. Все необходимые запасные части должны приобретаться у компании Mitsubishi Electric. НИКОГДА не отключайте защитные устройства и не используйте гидромодуль без полностью работоспособных защитных устройств. Смотрите подробности в инструкции по обслуживанию.

Примечания:

- В течение первых двух месяцев с момента установки снимите и очистите сетчатый фильтр гидромодуля и дополнительные фильтры, установленные с наружной стороны гидромодуля. Это особенно важно при установке на старые/уже существующие трубные системы.
- Предохранительные клапаны PRV и T&P (№ 8, 20 и 21 на рис. 3.1) проверяются ежегодно, для этого ручку поворачивают вручную до начала выхода рабочей среды, очищая тем самым седло уплотнения.

В дополнение к ежегодному обслуживанию необходимо заменить или проверить некоторые части после определенного периода работы системы. Подробные инструкции смотрите в таблице ниже. Замена и проверка частей должна всегда производиться компетентными специалистами с соответствующей подготовкой и квалификацией.

Части, требующие регулярной замены

Части	Замена, каждые:	Возможные неисправности
Предохранительный клапан (PRV) Манометр	6 лет	Утечка воды

Части, требующие регулярной проверки

Части	Проверка, каждые:	Возможные неисправности
Предохранительный клапан (3 бар) Предохранительный клапан температуры и давления	1 год (поворачивание ручки вручную)	Фиксирование клапана PRV и разрыв расширительного бака
Погружной нагреватель	2 года	Утечка на землю вызывает активацию автоматического выключателя (Нагреватель всегда Выкл)
Циркуляционный насос (Первичный контур)	20 000 ч (3 года)	Неисправность насоса

Части, не используемые при обслуживании повторно

- * Уплотнительное кольцо
- * Прокладка

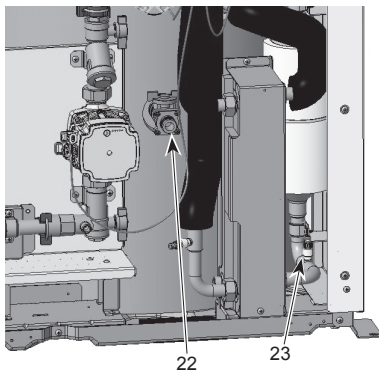
Примечание:

- Обязательно замените прокладку насоса на новую при каждом обслуживании (каждые 20 000 часов использования или каждые 3 года).

<Слив воды из гидромодуля и санитарного контура отопления (локального)>

ВНИМАНИЕ: ВОДА МОЖЕТ БЫТЬ ОЧЕНЬ ГОРЯЧЕЙ!

1. Перед сливом воды отключите электропитание гидромодуля для предотвращения перегорания проточного и погружного нагревателей.
2. Отключите подачу холодной воды.
3. Откройте кран горячей воды, чтобы слив происходил без образования вакуума.
4. Подключите шланг к сливным кранам (№ 22 и 23 на рис. 7.1) бака ГВС. Шланг должен выдерживать высокую температуру, так как сливаемая вода может быть очень горячей. Шланг должен быть опущен ниже дна бака ГВС. Начните слив, открыв сливной кран.
5. После окончания слива воды из бака ГВС закройте сливной кран и кран горячей воды.
6. Для первичного контура подключите шланг к сливным кранам контура воды (№ 6 на рис. 3.1). Шланг должен выдерживать высокую температуру, так как сливаемая вода может быть очень горячей. Для облегчения перелива выпускной конец шланга должен быть опущен ниже сливного крана. Откройте клапан насоса и клапан фильтра.
7. Вода остается в фильтре после слива воды из гидромодуля.
Слейте воду из фильтра сняв его крышку.



<Рисунок 7.1>

7 Сервис и техническое обслуживание

■ Форма записи изменений в настройках

При изменении настроек по умолчанию запишите новые настройки в колонку «Новые». Это облегчит восстановление настроек в будущем при внесении изменений в систему или замене печатной платы.

Форма записи при вводе в эксплуатацию/настройке на месте

Окно главного контроллера		Параметры	По умолчанию	Новые	Прим.	
Главное	Темп. пом. в реж. обогрева Зона 1	10°C - 30°C	20°C			
	Темп. пом. в реж. обогрева Зона 2 *12	10°C - 30°C	20°C			
	Темп. потока в реж. обогрева Зона 1	20°C - 60°C	45°C			
	Темп. потока в реж. обогрева Зона 2 *1	20°C - 60°C	35°C			
	Темп. потока в реж. охлаждения Зона 1 *13	5°C - 25°C	15°C			
	Темп. потока в реж. охлаждения Зона 2 *13	5°C - 25°C	20°C			
	Погодозависимое отопление Зона 1	-9°C - +9°C	0°C			
	Погодозависимое отопление Зона 2 *1	-9°C - +9°C	0°C			
Опции	Режим отпуска	Активен/Неактивен/Установка времени	—			
	Принудительная работа ГВС	Вкл/Выкл	—			
	ГВС	Вкл/Выкл/Таймер	Вкл			
	Обогрев/Охлаждение *13	Вкл/Выкл/Таймер	Вкл			
	Контроль энергопотребления	Потребление энергии/Производство энергии	—			
Настройки	ГВС	Режим работы	Норма/Экономичный *15	Норма		
		Макс. темп. ГВС	40°C - 60°C *2	50°C		
		Макс. падение температуры ГВС	5°C - 30°C	10°C		
		Макс. время работы ГВС	30 - 120 мин	60 минут		
		Ограничение работы ГВС	30 - 120 мин	30 минут		
		Зарядка ГВС	Большой/Стандартный	Стандартный		
	Профилактика легионеллы	Активно	Да/Нет	Да		
		Температура горячей воды	60°C - 70°C *2	65°C		
		Частота	1 - 30 дней	15 дней		
		Время запуска	00:00 - 23:00	03:00		
		Макс. время работы	1 - 5 ч	3 часа		
	Обогрев/Охлаждение *13	Режим работы Зона 1	Темп. пом. в реж. обогрева/ Темп. потока в реж. обогрева/ Погодозависим. отопление/Темп. потока в реж. охлаждения	Темп. помещения		
		Режим работы Зона 2 *1	Темп. пом. в реж. обогрева/ Темп. потока в реж. обогрева/ Погодозависим. отопление/Темп. потока в реж. охлаждения	Погодозависимое управление		
	Погодозависимое управление	Значения высокой температуры потока	Наруж. темп. окр. условий Зона 1	-30°C - +33°C *3	-15°C	
			Температура потока Зона 1	20°C - 60°C	50°C	
			Наруж. темп. окр. условий Зона 2 *1	-30°C - +33°C *3	-15°C	
			Температура потока Зона 2 *1	20°C - 60°C	40°C	
		Значения низкой температуры потока	Наруж. темп. окр. условий Зона 1	-28°C - +35°C *4	35°C	
			Температура потока Зона 1	20°C - 60°C	25°C	
			Наруж. темп. окр. условий Зона 2 *1	-28°C - +35°C *4	35°C	
			Температура потока Зона 2 *1	20°C - 60°C	25°C	
		Регулировка	Наруж. темп. окр. условий Зона 1	-29°C - +34°C *5	—	
			Температура потока Зона 1	20°C - 60°C	—	
			Наруж. темп. окр. условий Зона 2 *1	-29°C - +34°C *5	—	
			Температура потока Зона 2 *1	20°C - 60°C	—	
	Режим отпуска	ГВС	Активно/Неактивно	Неактивно		
		Обогрев/Охлаждение *13	Активно/Неактивно	Активно		
		Темп. пом. в реж. обогрева Зона 1	10°C - 30°C	15°C		
		Темп. пом. в реж. обогрева Зона 2 *12	10°C - 30°C	15°C		
		Темп. потока в реж. обогрева Зона 1	20°C - 60°C	35°C		
		Темп. потока в реж. обогрева Зона 2 *1	20°C - 60°C	25°C		
		Темп. потока в реж. охлаждения Зона 1 *13	5°C - 25°C	25°C		
Темп. потока в реж. охлаждения Зона 2 *13		5°C - 25°C	25°C			
Начальные настройки		Язык	EN/FR/DE/SV/ES/IT/DA/NL/FI/NO/PT/BG/PL/CZ/RU/TR/SL	EN		
		°C/°F	°C/°F	°C		
	Летнее время	Вкл/Выкл	Выкл			
	Отображение темп.	Комнатная/Бак ГВС/Комнатная и бак ГВС/Выкл	Выкл			
	Отображение времени	чч:мм/чч:мм AM/AM чч:мм	чч:мм			
	Настройка датчика в помещении Зона 1	ТН1/Гл. пульт/Пульт 1 - 8/«Время/Зона»	ТН1			
	Настройка датчика в помещении Зона 2 *1	ТН1/Гл. пульт/Пульт 1 - 8/«Время/Зона»	ТН1			
Меню обслуживания	Регулировка термистора	Выбор зоны пульта управления *1	Зона 1/Зона 2	Зона 1		
		ТНW1	-10°C - +10°C	0°C		
		ТНW2	-10°C - +10°C	0°C		
		ТНW5A	-10°C - +10°C	0°C		
		ТНW5B	-10°C - +10°C	0°C		
		ТНW6	-10°C - +10°C	0°C		
		ТНW7	-10°C - +10°C	0°C		
		ТНW8	-10°C - +10°C	0°C		
		ТНW9	-10°C - +10°C	0°C		
		ТНW10	-10°C - +10°C	0°C		
	Дополнительные настройки	Настройка экономичности насоса	Вкл/Выкл *6	Вкл		
			Задержка (3 - 60 мин)	10 минут		
			Обогрев: Вкл (используется)/Выкл (не используется)	Вкл		
			Таймер задержки нагревателя (5 - 180 мин)	30 минут		
		Электронагреватель (отопление)	Проточный нагреватель	ГВС: Вкл (используется)/Выкл (не используется)	Вкл	
			ГВС	ГВС: Вкл (используется)/Выкл (не используется)	Вкл	
		Погружной нагреватель	ГВС: Вкл (используется)/Выкл (не используется)	Вкл		
			Таймер задержки нагревателя (15 - 30 мин)	15 минут		
		Управ. смесительным клапаном	Работа (10 - 240 с)	120 секунд		
			Интервал (1 - 30 мин)	2 минуты		
Датчик протока *17	Минимум (0 - 100 л/мин)	5 л/мин				
	Максимум (0 - 100 л/мин)	100 л/мин				
Аналоговый выход	Интервал (1 - 30 мин)	5 минут				
	Приорит. (Норма/Высокий)	Норма				

(Продолжение на следующей странице.)

7 Сервис и техническое обслуживание

■ Форма записи изменений в настройках

Форма записи при вводе в эксплуатацию/настройке на месте (продолжение предыдущей страницы)

Окно главного контроллера			Параметры		По умолчанию	Новые	Прим.			
Настройки	Меню обслуживания	Скорость насоса	ГВС	Скорость насоса (1 – 5)		5				
			Обогрев/Охлаждение	Скорость насоса (1 – 5)		5				
		Настройка источника тепла		Стандартный/Нагреватель/Бойлер/Гибрид *7		Стандартный				
		Настройки теплового насоса		Диап. проп. способн. тепл. насоса	Минимум (0 – 100 л/мин)		5 л/мин			
					Максимум (0 – 100 л/мин)		100 л/мин			
				Бесшумный режим	День (Пн–Вс)		—			
					Время		0:00–23:45			
		Настройки работы	Управление отоплением *8	Диапазон темп. потока *10	Мин. темп. (20 - 45°C)		30°C			
					Макс. темп. (35 - 60°C)		50°C			
					Бесшумный уровень (Норма/Уровень 1/Уровень 2)		Норма			
				Управление темп. помещения *14	Режим (Норма/Мощный)		Норма			
					Интервал (10 – 60 мин)		10 минут			
				Регулировка диф. термостата теплового насоса	Вкл/Выкл *6		Вкл			
					Нижний предел (-9 - -1°C)		-5°C			
				Верхний предел (+3 - +5°C)		5°C				
				Функция защиты от замерзания *11		Наруж. темп. окр. условий (3 - 20°C) / **		5°C		
				Одновременная работа (ГВС/Отопление)		Вкл/Выкл *6		Выкл		
				Наруж. темп. окр. условий (-30 - +10°C) *3				-15°C		
		Функция хол. погода		Вкл/Выкл *6		Выкл				
		Наруж. темп. окр. условий (-30 - -10°C) *3				-15°C				
		Работа бойлера		Гибридные настройки	Наруж. темп. окр. условий (-30 - +10°C) *3		-15°C			
					Режим приоритета (Окр. условия/Цена/CO ₂) *16		Окр. условия			
					Рост наруж. темп. окр. условий (+1 - +5°C)		+3°C			
				Интеллектуальные настройки	Цена энергии *9	Электроэнергия (0,001 – 999 */кВтч)	0,5 */кВтч			
						Бойлер (0,001 – 999 */кВтч)	0,5 */кВтч			
					Эмиссия CO ₂	Электроэнергия (0,001 – 999 кг -CO ₂ /кВтч)	0,5 кг -CO ₂ /кВтч			
				Бойлер (0,001 – 999 кг -CO ₂ /кВтч)		0,5 кг -CO ₂ /кВтч				
				Источник тепла	Мощность теплового насоса (1 – 40 кВт)		11,2 кВт			
					Эффективность бойлера (25 – 150%)		80%			
					Мощность прот. нагревателя 1 (0 – 30 кВт)		2 кВт			
		Мощность прот. нагревателя 2 (0 – 30 кВт)			4 кВт					
		Smart grid готова		ГВС	Вкл/Выкл		Выкл			
					Целевая темп. (+1 - +20°C) / — (не активно)		—			
Отопление	Вкл/Выкл			Выкл						
	Целевая темп.			Рекомендация включения (20 - 60°C)	50°C					
Команда включения (20 - 60°C)				55°C						
Охлаждение	Вкл/Выкл			Выкл						
	Целевая темп.			Рекомендация включения (5 - 25°C)	15°C					
Команда включения (5 - 25°C)				10°C						
Циклы насоса	Обогрев (Вкл/Выкл)		Вкл							
	Охлаждение (Вкл/Выкл)		Вкл							
	Интервал (10 – 120 мин)		10 минут							
Функция сушки бетонной стяжки		Вкл/Выкл *6		Выкл						
		Целевая темп.	Запуск/Остановка (20 - 60°C)		30°C					
			Макс. темп. (20 - 60°C)		45°C					
			Период макс. темп. (1 – 20 дней)		5 дней					
		Темп. потока (увеличение)	Шаг увеличения темп. (+1 - +10°C)		+5°C					
			Увеличить интервал (1–7 дней)		2 дня					
		Темп. потока (уменьшение)	Шаг уменьшения темп. (-1 - -10°C)		-5°C					
Уменьшить интервал (1–7 дней)			2 дня							
Летний режим		Вкл/Выкл		Выкл						
		Наруж. темп. окр. условий	Обогрев Вкл. (4 - 19°C)		10°C					
			Обогрев Выкл (5 - 20°C)		15°C					
		Время оценки	Обогрев Вкл. (1–48 ч)		6 часов					
			Обогрев Выкл (1–48 ч)		6 часов					
Принудительный обогрев Вкл. (-30 - 10°C)				5°C						
Контроль потока воды		Вкл/Выкл		Выкл						

(Продолжение на следующей странице.)

7 Сервис и техническое обслуживание

■ Форма записи изменений в настройках

Форма записи при вводе в эксплуатацию/настройке на месте (продолжение предыдущей страницы)

Окно главного контроллера				Параметры	По умолчанию	Новые	Прим.
Меню обслуживания	Настройки контроля энергии	Мощность электронагревателя	Мощность прот. нагревателя 1	0 – 30 кВт	2 кВт		
			Мощность прот. нагревателя 2	0 – 30 кВт	4 кВт		
			Погружной нагреватель	0 – 30 кВт	0 кВт		
			Аналоговый выход	0 – 30 кВт	0 кВт		
		Регулировка произвед. энергии		–50 – +50%	0%		
		Насос подачи воды	Насос 1	0–200 Вт или *** (насос заводской установки)	***		
			Насос 2	0 – 200 Вт	0 Вт		
			Насос 3	0 – 200 Вт	0 Вт		
			Насос 4	0 – 200 Вт	72 Вт		
		Электросчетчик		0,1/1/10/100/1000 импульс/кВтч	1 импульс/кВтч		
	Теплосчетчик		0,1/1/10/100/1000 импульс/кВтч	1 импульс/кВтч			
	Настройки внешнего входа	Регулятор энергопотребления (IN4)	Источник тепла ВЫКЛ/Работа бойлера	Работа бойлера			
		Наружный термостат (IN5)	Работа нагревателя/Работа бойлера	Работа бойлера			
		Выход термостата ВКЛ		Зона 1/Зона 2/Зона 1 и 2	Зона 1 и 2		

*1. Параметры, связанные с Зонай 2, могут быть включены только при включенном управлении температурой Зоны 2 (DIP SW2-6 и SW2-7 в положении ВКЛ.).

*2. Модели без проточного и погружного нагревателя могут не достигать целевой температуры в зависимости от температуры наружного воздуха.

*3. Нижний предел –15°C зависит от подключенного наружного блока.

*4. Нижний предел –13°C зависит от подключенного наружного блока.

*5. Нижний предел –14°C зависит от подключенного наружного блока.

*6. Вкл: функция активна; Выкл: функция неактивна.

*7. Если DIP SW1-1 установлен на Выкл: «без бойлера» или SW2-6 установлен на Выкл: «без смесительного бака», Бойлер и Гибрид не могут быть выбраны.

*8. Действует только при работе в режиме «Управление комнатной темп.».

9. «» в «*/кВтч» означает единицу валюты (€, £ или подобное).

*10. Действует только при работе в режиме «Температура помещения в режиме обогрева».

*11. При выборе звездочек «**» работа функции «Защита от замерзания» отключается (риск замерзания первичного контура).

*12. Настройки, связанные с Зонай 2, можно включить только тогда, когда активно 2-зонное управление температурой или 2-зонное управление двухходовым клапаном.

*13. Настройки режима охлаждения доступны только для модели ER.

*14. Когда DIP SW5-2 установлен на ВЫКЛ, данная функция активна.

*15. Когда гидромодуль с накопительным баком подключен к наружному блоку PUMY-P, для данного режима установлено значение «Норма».

*16. Когда гидромодуль с накопительным баком подключен к наружному блоку PUMY-P, для данного режима установлено значение «Окружающие условия».

*17 Не изменяйте настройку, так как она установлена согласно характеристикам датчика протока, подключенного к гидромодулю.

1. Merknader om sikkerhet 2

2. Innledning 3

3. Teknisk informasjon 4

4. Installasjon..... 10

 4.1 Plassering 10

 4.2 Vannkvalitet og systemklargjøring 11

 4.3 Arbeid med vannrør 11

 4.4 Elektrisk tilkobling 14

5. Systemoppsett 16

 5.1 Vippebryterfunksjoner 16

 5.2 Tilkobling av innganger/utganger 17

 5.3 Kabling for temperaturkontroll i 2 soner 18

 5.4 Kun vannkretsoperasjon (under installeringsarbeid) 19

 5.5 Smartgrid klart 19

 5.6 Bruk av SD-minnekort 19

 5.7 Hovedkontroller 20

6. Igangkjøring 26

7. Service og vedlikehold..... 27

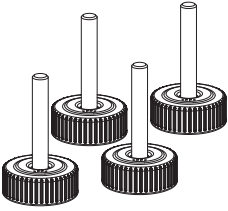
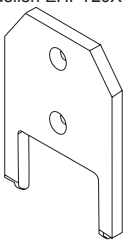
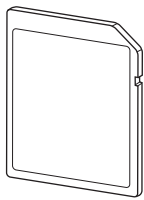
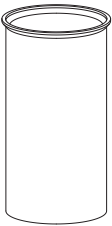


<http://www.mitsubishielectric.com/ldg/ibim/>

Hvis du vil ha mer informasjon som ikke står i denne håndboken, kan du gå til nettstedet ovenfor for å laste ned håndbøker, velg modellnavn og språk.

Innhold i nettsidehåndboken

- Energoovervåking
- Komponentdeler (detaljer)
- Vannkretsdiagram (170 L)
- Romtermostat
- Fulle systemet
- Enkelt 2-sonesystem
- Uavhengig strømkilde
- Smartgrid klart
- Fjernkontrollvalg
- Servicemeny (spesielle innstillinger)
- Tilleggsinformasjon

Tilbehør (medfølger)			
Justerbare ben	Verktøy for dyppvarmerfremspring Kun modellen EHPT20X-MHEDW	SD minnekort	Kobberforing for tappevannsrør
			
4	1	1	2

Forkortelser og ordliste

Nr.	Forkortelse/Ord	Beskrivelse
1	Varmekurvemodus	Romoppvarming med kompensasjon for utendørs lufttemperatur
2	VF	Varmefaktor for varmepumpens effektivitet
3	Sylinderenhet	Innendørs uventilert tappevannsbereider og komponentrørssystem
4	Tappevannsmodus	Oppvarmingsmodus for husholdningstappevann til dusjer, servanter o.l.
5	Turtemperatur	Temperaturen p vannet når det leveres til hovedkretsen
6	Frostbeskyttelsesfunksj.	Oppvarming som hindrer at vannrørene fryser
7	FTC	Kontroller for turtemperatur, kretskortet som styrer vannkretsen
8	Varmemodus	Romoppvarming gjennom radiatorer eller gulvvarme
9	Legionella	Bakterier som kan eksistere i rørrnett, dusjer og vanntanker, og som kan forårsake legionærsyken
10	LB-modus	Modus for legionellabeskyttelse – en funksjon som skal forhindre vekst av legionellabakterier i systemer med vannberedere
11	Monoblokkmodell	Platevarmeveksler (Kuldemedium - vann) i utendørs varmepumpeenhet
12	TSV	Trykksikkerhetsventil
13	Returtemperatur	Temperaturen på vannet når det leveres fra hovedkretsen
14	Splitmodell	Platevarmeveksler (Kuldemedium - vann) i innendørsenheten
15	TV	Termostatventil – en varmeregulerende ventil på inngangen eller utgangen til radiatorpanelet
16	Kjølemodus	Romavkjøling gjennom viftekonvektorer eller gulvavkjøling

1 Merknader om sikkerhet

Vennligst les de følgende sikkerhetsreglene nøye.





 **ADVARSEL:**
Forholdsregler som må overholdes for å unngå personskade eller dødsfall.

 **FORSIKTIG:**
Forholdsregler som må overholdes for å unngå skade på enheten.

Denne installeringshåndboken, samt brukerhåndboken, bør oppbevares sammen med produktet etter installasjon for fremtidig referanse. Mitsubishi Electric er ikke ansvarlig for svikt i deler som er skaffet lokalt eller av kunden.

- Sørg for å utføre periodisk vedlikehold.
- Sørg for å følge lokale forskrifter.
- Sørg for å følge anvisningene i denne håndboken.

BETYDNINGER AV SYMBOLER SOM VISES PÅ ENHETEN

	ADVARSEL (Brannfare)	Dette merket gjelder kun R32-kjølemiddel. Kjølemiddeltypen er skrevet på navneplaten til utendørsenheten. Hvis kjølemiddeltypen er R32, bruker denne enheten et lett antennelig kjølemiddel. Hvis kjølemiddelet lekker og kommer i kontakt med flammer eller en varm del, dannes det skadelig gass og det er fare for brann.
	Les BRUKERHÅNDBOKEN nøye før bruk.	
	Servicepersonell må lese BRUKERHÅNDBOKEN og MONTERINGSHÅNDBOKEN nøye før bruk.	
	Ytterligere informasjon er tilgjengelig i BRUKSANVISNINGEN, INSTALLASJONSHÅNDBOK, og lignende.	

ADVARSEL

Mekanisk

Sylindereheten og utendørsenheten må ikke installeres, demonteres, flyttes, endres eller repareres av brukeren. Spør en autorisert installatør eller tekniker. Hvis enheten er installert feil eller modifisert etter installasjon, kan det oppstå vannlekkasje, elektrisk støt eller brann.

Utendørsenheten må festes godt til en hard, jevn overflate som tåler vekten dens.

Sylindereheten må plasseres på en hard, jevn overflate som tåler vekten dens når den er full, slik at det unngås unormalt mye lyd og vibrering.

Ikke plasser møbler eller elektriske apparater under utendørsenheten eller sylindereheten.

Utløpsrørplegget fra sylinderehetens nødmekanismer må installeres i henhold til lokale lover.

Bruk utelukkende tilbehør og reservedeler som er autorisert av Mitsubishi Electric, og be en kvalifisert elektriker om å montere delene.

Elektrisk

Alt elektrisk arbeid må utføres av en kvalifisert elektriker i henhold til lokale forskrifter og anvisningene i denne manualen.

Enheterne må få strøm fra en dedikert strømforsyning, og det må brukes korrekt spenning og strømbrytere.

Koblinger må være i samsvar med nasjonale forskrifter vedrørende koblinger. Koblinger må gjøres skikkelig og uten trykk på uttakene.

Enheten må jordes riktig.

Generelt

Hold barn og kjæledyr borte fra både sylindereheten og utendørsenheten.

Ikke bruk tappevannet som produseres av varmepumpen direkte til drikkevann eller matlaging. Dette kan gjøre brukeren syk.

Ikke stå på enhetene.

Ikke berør brytere med våte hender.

Årlig vedlikeholdskontroll av både sylindereheten og utendørsenheten må utføres av en kvalifisert person.

Ikke plasser beholdere med væske oppå sylindereheten. Dersom disse lekker eller søler på sylindereheten, kan det oppstå skade på enheten og/eller brann.

Ikke plasser tunge gjenstander oppå sylindereheten.

Under installasjon eller flytting, eller ved utføring av service på sylindereheten, må kun det spesifiserte kuldemediet brukes. Ikke bland med noe annet kuldemedium, og ikke la luft være igjen i linjene. Dersom luft blandes med kuldemediet, kan det føre til unormalt høyt trykk i kuldemedielinjen, som igjen kan resultere i en eksplosjon eller andre farlige situasjoner.

Bruken av noe annet kuldemedium enn det som er spesifisert for systemet, vil forårsake mekanisk feil, systemfeil eller maskinskade på enheten. I verste fall kan dette gjøre det svært vanskelig å opprettholde produktsikkerheten.

For å unngå at varmestraler skades av unormalt tappevann i varmmodus, setter du målet for strømningsstemperatur til minst 2 °C under maksimalt tillatt temperatur for alle varmestraler. For Sone 2 setter du målet for strømningsstemperatur til minst 5 °C under maksimalt tillatt temperatur for alle varmestraler i Sone 2-kretsen.

Ikke installer enheten på steder hvor brennbare gasser kan lekker, produseres, flyte eller samles. Hvis brennbar gass samles rundt enheten, kan det føre til brann eller eksplosjon.

Ikke bruk midler for å akselerere tineprosessen eller rengjøring, unntatt de som anbefales av produsenten.

Apparatet skal oppbevares i et rom uten kontinuerlig bruk av tenningskilder (for eksempel: åpen flamme, et gassapparat i drift eller et elektrisk element).

Ikke stikk hull i eller brenn enheten.

Vær oppmerksom på at kjølemidler kanskje ikke inneholder lukt.

Rørplegg skal beskyttes mot fysisk skade.

Installasjonen av rørplegg skal holdes på et minimum.

Nasjonale gassforskrifter skal overholdes.

Hold alle nødvendige ventilasjonsåpninger fri for hindringer.

Ikke bruk loddemetall med lav temperatur i tilfelle lodding av kuldemiddelrørene.

no

1 Merknader om sikkerhet

⚠ FORSIKTIG

I hovedkretsen må det brukes rent vann som oppfyller lokale krav til kvalitet.

Utendørsenheten må installeres på et sted med tilstrekkelig luftgjennomstrømning i henhold til diagrammet i installeringshåndboken for utendørsenheten.

Sylinderenheten må plasseres innendørs for minst mulig varmetap.

For å redusere varmetap, bør vannrørsystemet i hovedkretsen mellom utendørs- og innendørsenheten være så kort som mulig.

Påse at kondensvann fra utendørsenheten ledes vekk fra fundamentet i rør for å unngå vannpytter.

Fjern så mye luft som mulig fra hoved- og tappevannskretsen.

Lekkasje av kuldemedium kan forårsake kvelning. Sørg for ventilasjon i henhold til EN378-1.

Sørg for å vikle isolering rundt rørene. Direkte berøring av nakne rør kan resultere i brannsar eller frostskafer.

For å hindre utilsiktet svelging, må du uansett grunn aldri putte batterier i munnen.

Å svelge et batteri kan føre til kvelning og/eller forgiftning.

Ikke transporter sylinderenheten med vann i tappevannsberederen eller spolen. Dette kan forårsake skade på enheten.

Dersom strømmen til sylinderenheten skal slås av (eller systemet slås av) for en lengre periode, må vannet tappes ut.

Dersom tappevannsberederen ikke har vært i bruk over en lengre periode, må den skylles med drikkevann før driften gjenopptas.

Det bør gjennomføres forebyggende tiltak mot vannslag, slik som å installere en vannslagstopper i hovedkretsen, slik produsenten anviser.

For håndtering av kuldemedium, se i installeringshåndboken for utendørsenheten.

2 Innledning

Formålet med denne installeringshåndboken er å instruere kompetente personer i hvordan sylinderenhetsystemet skal installeres og driftes sikkert og effektivt. Målgruppen for denne håndboken er kompetente rørleggere og/

eller kjølemontører som har deltatt i og bestått Mitsubishi Electrics påkrevde produktopplæring og har den kompetansen som kreves i gjeldende land for installasjon av en uventilert sylinderenhet for tappevann.

3 Teknisk informasjon

Produktspesifikasjon

Modellnavn	EHST20C-MED	EHST20C-VM2D	EHST20C-VM6D	EHST20C-VM9D	EHST20C-VM9ED	EHST20C-TM9D	ERST20C-VM2D	EHST30C-MED	EHST30C-VM6D	EHST30C-VM9ED	EHST30C-TM9ED	ERST30C-VM2ED	EHPT17X-VM2D	EHPT17X-VM6D	EHPT17X-VM9D	ERPT17X-VM2D		
Nominelt volum for husholdningsstøpevann	300 L																	
Enhetsens totale mål (høyde x bredde x dybde)	1600 x 595 x 680 mm																	
Vekt (tom)	106 kg	113 kg	114 kg	115 kg	109 kg	115 kg	113 kg	118 kg	120 kg	121 kg	121 kg	120 kg	85 kg	86 kg	87 kg	86 kg		
Vekt (full)	314 kg	320 kg	321 kg	324 kg	319 kg	324 kg	320 kg	426 kg	422 kg	431 kg	428 kg	428 kg	261 kg	262 kg	265 kg	261 kg		
Vannvolum i varmekretsen i enheten *1	4,6 L		12 L		6,9 L		4,6 L		5,0 L		7,3 L		3,2 L		5,5 L		3,2 L	
Uventilert ekspansjonskar (hovedvåne)	—																	
Nominelt volum	12 L																	
Ladetrykk	0,1 MPa																	
Kontrollføler	1 – 80°C																	
Vannkrets (hoved)	Trykkavlastningsventil																	
Flowsensor	0,3 MPa (3 bar)																	
Termostat for BH manuell tilbakestilling	Minste strømningshastighet 5,0 L/min (Se tabell 4.3.1 om strømningshastighetsområde)																	
BH termisk sikringsautomatikk	90°C																	
Kontrollføler	121°C																	
IH-termostat for manuell tilbakestilling	75°C																	
Temperatur / Trykkavlastningsventil	—																	
Vann	1,0 MPa (10 bar)																	
Tappevannskrets	ø28 mm																	
Kuldemiddel (R32/ R410A)	ø22 mm																	
Væske	9,52 mm																	
Gass	15,88 mm																	
Romtemperatur	10 – 30°C																	
Strømningstemperatur	20 – 60°C																	
Romtemperatur	—																	
Strømningstemperatur	5 – 25°C																	
Omgivelse	0 – 35°C (± 80 % RF)																	
Utdørrtemperatur	Se spesifikasjonstabell for utendørsenhet.																	
Kjøling	*3																	
Varmer	*4																	
Maksimalt tillatt tappevannstemperatur	70°C																	
Deklarert lastprofil	L																	
Gjennomsnittlig klimaklasse for varmtvannstank	A																	
Strømforsyning (fase, spenning, frekvens)	~N, 230 V, 50 Hz																	
Inngang (inkludert pumper)	0,30 kW																	
Strøm	1,95 A																	
Bryter	10 A																	
Strømforsyning (fase, spenning, frekvens)	—	~N, 230 V, 50 Hz	3~ , 400 V, 50 Hz	3~ , 230 V, 50 Hz	~N, 230 V, 50 Hz	3~ , 230 V, 50 Hz	~N, 230 V, 50 Hz	—	~N, 230 V, 50 Hz	3~ , 400 V, 50 Hz	3~ , 230 V, 50 Hz	~N, 230 V, 50 Hz	3~ , 400 V, 50 Hz	~N, 230 V, 50 Hz	3~ , 400 V, 50 Hz	~N, 230 V, 50 Hz		
Elektrisk spisslast	—	2 kW	2 kW+4 kW	3 kW +6 kW	3 kW +6 kW	3 kW +6 kW	2 kW	—	2 kW +4 kW	3 kW +6 kW	3 kW +6 kW	2 kW	2 kW +4 kW	3 kW +6 kW	2 kW	2 kW		
Strøm	—	9 A	26 A	13 A	23 A	9 A	9 A	—	26 A	13 A	23 A	9 A	26 A	13 A	26 A	13 A		
Bryter	—	16 A	32 A	16 A	16 A	16 A	16 A	—	32 A	16 A	32 A	16 A	32 A	16 A	32 A	16 A		
Strømforsyning (fase, spenning, frekvens)	—																	
Kapasitet	—																	
Strøm	—																	
Bryter	—																	
Lydeffektivnivå (PWL)	40 dB(A)																	

<Tabell 3.2>

*1 Mengde i sanitærvannkrets, hovedtappevannskrets (fra treveisventil til sammenløpende punkt med varmekretsen), rørt til ekspansjonskar og ekspansjonsventil er ikke inkludert i denne verdien.
 *2 Miljøet må være frostritt.
 *3 Se spesifikasjonstabell for utendørsenhet (min, 10 °C). Kjølemodus er ikke tilgjengelig ved lav utendørsstemperatur. Hvis du bruker vårt system i kjølemodus ved lav omgivelsestemperatur (10 °C eller under), er det en viss risiko for skade på tappevarmeveksler som følge av frosset vann.
 *4 For modeller uten tilskuddsvarme og el-kolbe er den maks. tillatte tappevannstemperaturen (Maks. utføpingsvann for utendørsenhet -3 °C). Se i databoken for utendørsenheten for maksimalt utføpingsvann for utendørsenheten.
 *5 Ikke monter el-kolbe uten varmekobling. Bruk kun reservedeler fra Mitsubishi Electric ved direkte bytte.

3 Teknisk informasjon

Produktspesifikasjon

Modellnavn	EHPT20X-MED	EHPT20X-VM6D	EHPT20X-YM9D	EHPT20X-YM9D	EHPT20X-TM9D	EHPT20X-MHEDW	ERPT20X-MD	ERPT20X-VM2D	ERPT20X-VM6D	EHPT30X-MED	EHPT30X-YM9ED	ERPT30X-VM2ED
Nominelt volum for husholdningstappevann	300 L											
Enhetens totale mål (høyde x bredde x dybde)	1600 x 595 x 680 mm											
Vekt (tom)	93 kg	101 kg	102 kg	96 kg	102 kg	90 kg	99 kg	100 kg	101 kg	106 kg	109 kg	107 kg
Vekt (full)	300 kg	307 kg	310 kg	305 kg	310 kg	296 kg	305 kg	305 kg	307 kg	413 kg	419 kg	413 kg
Vannvolum i varmekretsen i enheten *1	3,7 L											
Uventilert ekspansjonskar (hovedvarme)	12 L											
Nominelt volum	0,1 MPa											
Ladetrykk	0,1 MPa											
Kontrollføler	1 – 80°C											
Vannkrets (hoved)	Trykkavlastningsventil											
Flowsensor	Minste strømningshastighet 5,0 L/min (Se tabell 4.3.1 om strømningshastighetsområde)											
Sikkerhetsanordning	Termostat for BH manuell tilbakestilling											
	BH termisk sikringsautomatikk											
	Kontrollføler											
	IH-termostat for manuell tilbakestilling											
Temperatur-/Trykkavlastningsventil	90°C / 0,7 MPa (7 bar)											
Vann	1,0 MPa (10 bar)											
Hovedkrets	ø28 mm											
Tappevannskrets	ø22 mm											
Kuldemiddel (R32/ R410A)	—											
Væske	—											
Gass	—											
Varme	Romtemperatur											
	Strømningstemperatur											
	Romtemperatur											
	Strømningstemperatur											
	5 – 25°C											
	5 – 25°C											
Omgivelse	0 – 35°C (≤ 80 % RF)											
Garantert driftsområde *2	Se spesifikasjonstabell for utendørsenhet.											
Varme	—											
Kjøling	*3											
Maksimalt tillatt tappevannstemperatur	*4											
Deklarert lastprofil	70°C											
Energieffektivitetsklasse for klimaklasse	L											
Gjennomsnittlig varmtvannstank	A+											
Strømforsyning (fase, spenning, frekvens)	~N, 230 V, 50 Hz											
Inngang	0,30 kW											
Strøm	1,95 A											
Bryter	10 A											
Strømforsyning (fase, spenning, frekvens)	~N, 230 V, 50 Hz											
Kapasitet	3 ~ 400 V, 50 Hz											
Strøm	3 kW +6 kW											
Bryter	13 A											
Strømforsyning (fase, spenning, frekvens)	~N, 230 V, 50 Hz											
Kapasitet	3 kW											
Strøm	13 A											
Bryter	16 A											
Strømforsyning (fase, spenning, frekvens)	~N, 230 V, 50 Hz											
Kapasitet	3 kW											
Strøm	13 A											
Bryter	16 A											
Lydeffektivitét (PWL)	40 dB(A)											

< Tabell 3.3 >

*1 Mengde i sanitærvannkrets, hovedtappevannskrets (fra treveisventil til sammenløpende punkt med varmekretsen), rør til ekspansjonskar og ekspansjonsventil er ikke inkludert i denne verdien.

*2 Miljøet må være frostfritt.

*3 Se spesifikasjonstabell for utendørsenhet (min, 10 °C). Kjølemodus er ikke tilgjengelig ved lav utendørstemperatur. Hvis du bruker vårt system i kjølemodus ved lav omgivelsestemperatur (10 °C eller under), er det en viss risiko for skade på platevarmeveksler som følge av froset vann.

*4 For modeller uten tilskuddsvarme og el-kolbe er den maks. utløpsvannstemperaturen [Maks. utløpsvann for utendørsenhet -3 °C]. Se i databoken for utendørsenheten for maksimalt utløpsvann for utendørsenheten.

*5 Ikke monter el-kolbe uten varmeutkobling. Bruk kun reservedeler fra Mitsubishi Electric ved direkte bytte.

3 Teknisk informasjon

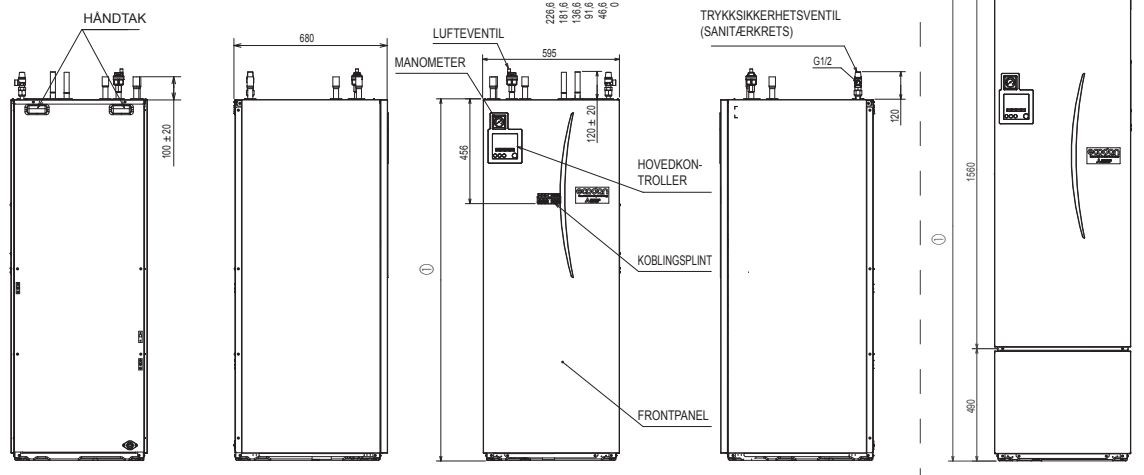
<Enhet: mm>

■ Tekniske tegninger

<E**T***-M**D>

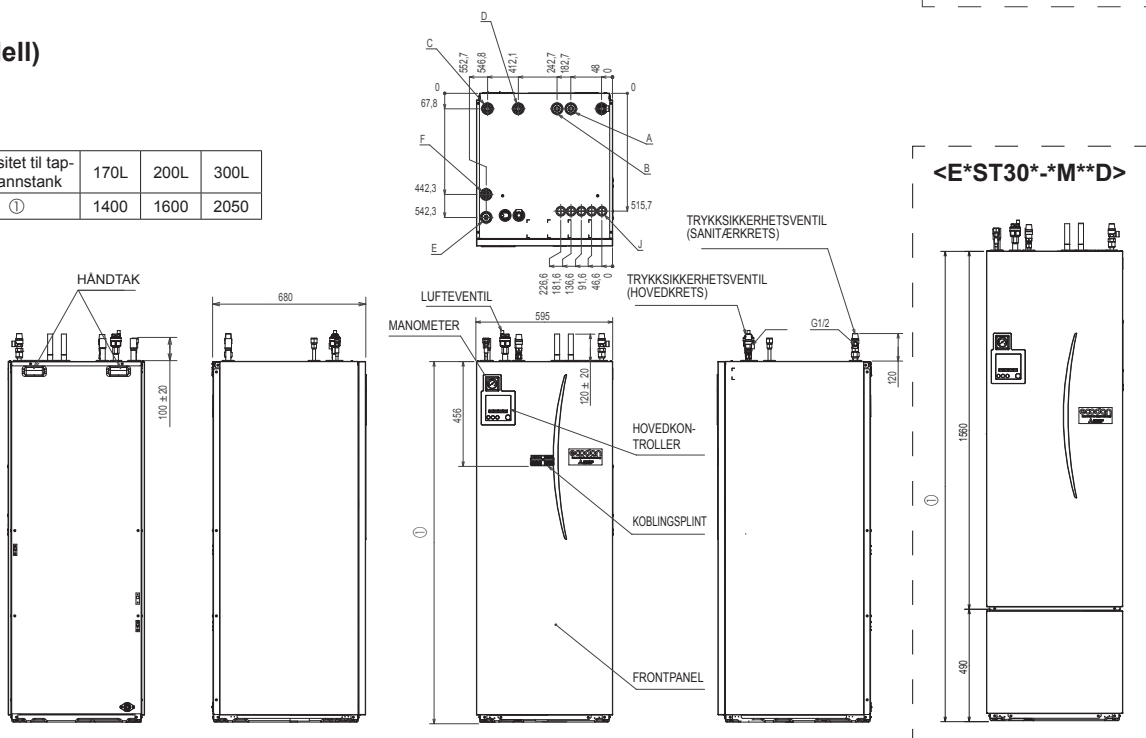
(System med monoblokkmodell)

Kapasitet til tappevannstank	170L	200L	300L
①	1400	1600	2050



(Splitmodell)

Kapasitet til tappevannstank	170L	200L	300L
①	1400	1600	2050



Bokstav	Rørbeskrivelse	Tilkoblingsstørrelse og -type
A	Utløpstilkobling for tappevann	22 mm/Trykkobling
B	Tilkobling for kaldtvannsinntak	22 mm/Trykkobling
C	Returtilkobling for romoppvarming/romkjøling	28 mm/Trykkobling
D	Turtilkobling for romoppvarming/romkjøling	28 mm/Trykkobling
E	Turtilkobling FRA varmepumpe (ingen platevarmeveksler)	28 mm/Trykkobling
F	Returtilkobling TIL varmepumpe (ingen platevarmeveksler)	28 mm/Trykkobling
G	Kuldemedium (GASS) (Med platevarmeveksler)	12,7 mm/Utkraging (E*ST**D-*) 15,88 mm/Utkraging (E*ST**C-*)
H	Kuldemedium (VÆSKE) (Med platevarmeveksler)	6,35 mm/Utkraging (E*ST**D-*) 9,52 mm/Utkraging (E*ST**C-*)
J	Innganger for elektriske kabler ① ② ③ ④ ⑤ ○ ○ ○ ○ ○	For inngangene ①, ② og ③ bruker du lavspenningsledninger, inkludert eksterne inngangsledninger og følerledninger. For inngangene ④ og ⑤ bruker du høyspenningsledninger, inkludert strømkabel, innendørs-utendørskabel og eksterne utgangsledninger. *For kabel til trådløs mottaker (valgfritt) og ecodan Wi-Fi-grensesnitt (valgfritt) bruker du inngang ①.

⚠ Advarsel

- Tilkobling for kuldemediumrør skal være tilgjengelig for vedlikeholdsformål.
- Ved tilbakekobling av kuldemediumrørene etter avmontering, gjør kragedelen av røret refabrikert.

<Tabell 3.4>

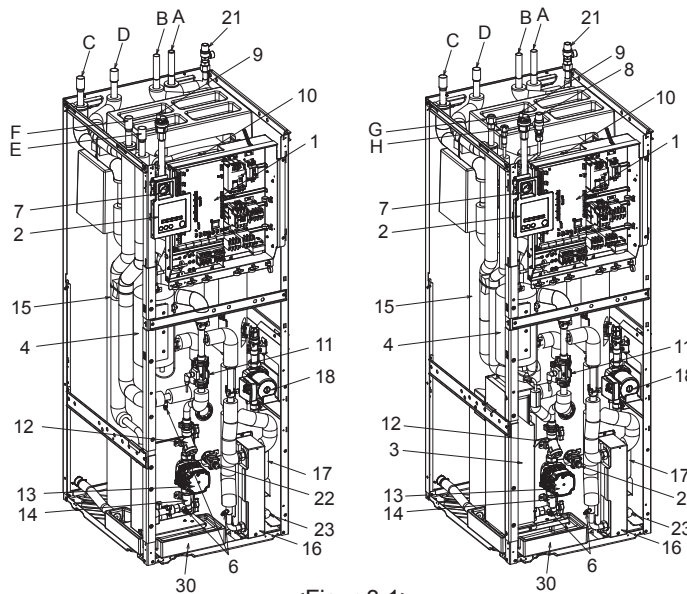
3 Teknisk informasjon

Enkeltdele

<E**T***_M**D>

(System med monoblokkmodell)

(Splitmodell)

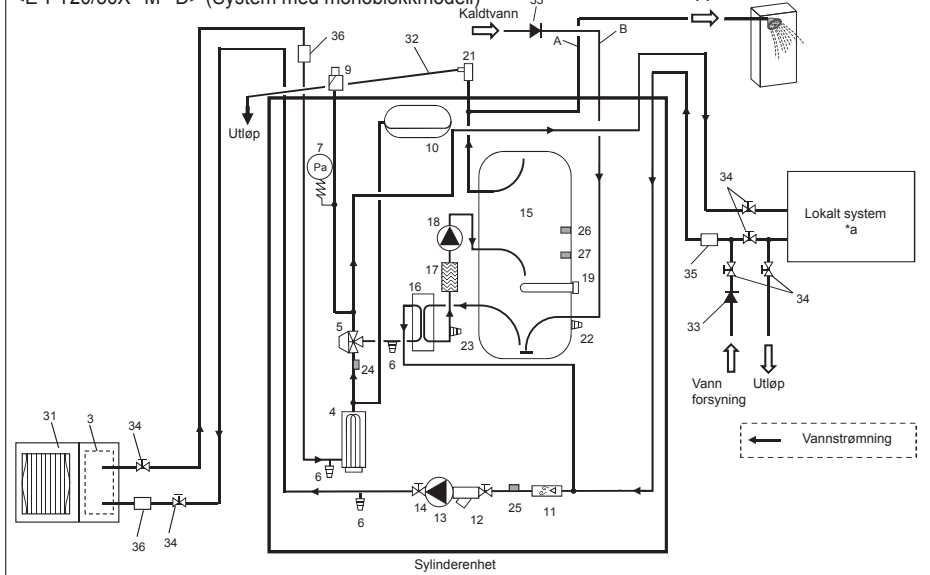


<Figur 3.1>

Merk:
For installasjon av alle E**T***-M**ED*-modeller, må du sørge for å installere et ekspansjonskar av passende størrelse på hovedsiden og en trykkavlastningsventil for å forhindre at ekspansjonskaret sprekker i feltet. (Se figur 3.2 ~ 3.3 og 4.3.2 for ytterligere veiledning)

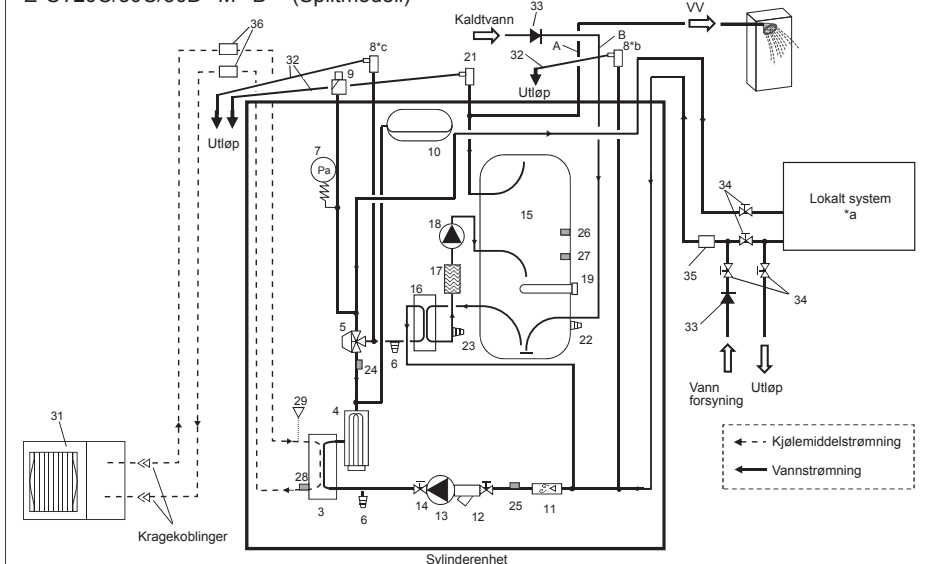
Vannkretsdiagram

<E*PT20/30X-M**D> (System med monoblokkmodell)



<Figur 3.2>

<E*ST20C/30C/30D-M**D> (Splitmodell)



<Figure 3.3>

Nr.	Navn på del
A	Utløpsrør for tappevann
B	Rør for kaldtvannsinntak
C	Vannrør (returtilkobling for romoppvarming/romkjøling)
D	Vannrør (turtilkobling for romoppvarming/romkjøling)
E	Vannrør (tilkobling for strømning fra varmepumpe)
F	Vannrør (tilkobling for retur til varmepumpe)
G	Kuldemediumrør (gass)
H	Kuldemediumrør (væske)
1	Kontrollboks og elektrisk boks
2	Hovedkontroller
3	Platevarmeveksler (kuldemedium - vann)
4	Elektrisk spisslast 1,2
5	Treveisventil
6	Manuell lufteventil
7	Manometer
8	Trykksikkerhetsventil (3 bar)
9	Automatisk lufteventil
10	Ekspansjonskar (hovedkrets)
11	Flowsensor
12	Filterventil
13	Sirkulasjonspumpe 1 (hovedkrets)
14	Pumpeventil
15	Tappevannsbereider
16	Platevarmeveksler (vann - vann)
17	Vektspjeld
18	Sirkulasjonspumpe (sanitærkrets)
19	Dyppvarmer *1
20	Temperatur- og trykksikkerhetsventil *1
21	Trykksikkerhetsventil (10 bar) (tappevannsbereider)
22	Tappekran (tappevannsbereider)
23	Tappekran (sanitærkrets)
24	Turvanntemperaturføler (THW1)
25	Returvanntemperaturføler (THW2)
26	Øvre temperaturføler for tappevannstank (THW5A)
27	Nedre temperaturføler for tappevannstank (THW5B)
28	Temperaturføler for væske i kjølemiddel (TH2)
29	Trykkføler
30	Dreningspanne
31	Utendørsenhet
32	Dreneringsrør (skaffes lokalt)
33	Returflytstopp (skaffes lokalt)
34	Skilleventil (skaffes lokalt)
35	Magnetisk filter (skaffes lokalt) (anbefales)
36	Filter (skaffes lokalt)
37	Ekstra trykkavlastningsventil (skaffes lokalt)
38	Inntakskontrollgruppe *1
39	Fyllekrets (kuleventil, sikkerhetsventil og fleksibel slange) *1
40	Ekspansjonskar for drikkevann *1

*1 Leveres KUN med modell for Storbritannia. Se i installeringshåndboken for PAC-WK02UK-E for mer informasjon om tilbehør.

<Tabell 3.5>

Gå til nettstedet for Mitsubishi for å sjekke vannkretsen til andre enheter og komponentdelene til hver enhet.

*a Se den følgende delen: [Lokalt system].

*b Kun E**T20

*c Kun E**T30

Merk

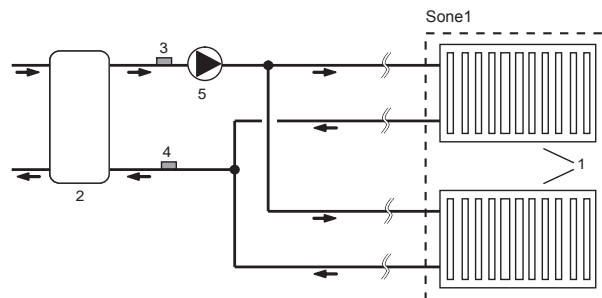
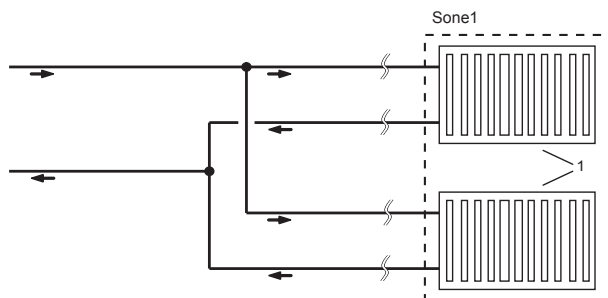
- For å muliggjøre tømning av sylinderenheten må en skilleventil plasseres både på inntaks- og utløpsrørpropplegget.
- Sørg for å installere et filter på sylinderenhetens inntaksrørpropplegg.
- Et egnet avtappingsrørpropplegg må festes til alle sikkerhetsventilene i henhold til forskriftene i landet ditt.
- En returflytstopp må installeres på rørpropplegget for kaldtvannforsyning (IEC 61770).
- Ved bruk av komponenter som er lagd av ulike metaller eller tilslutningsrør lagd av ulike metaller, må sammenføyningene isoleres for å hindre utvikling av rust som kan skade rørpropplegget.

no

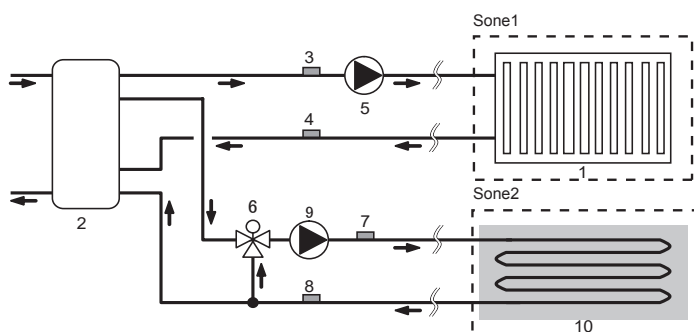
3 Teknisk informasjon

Lokalt system

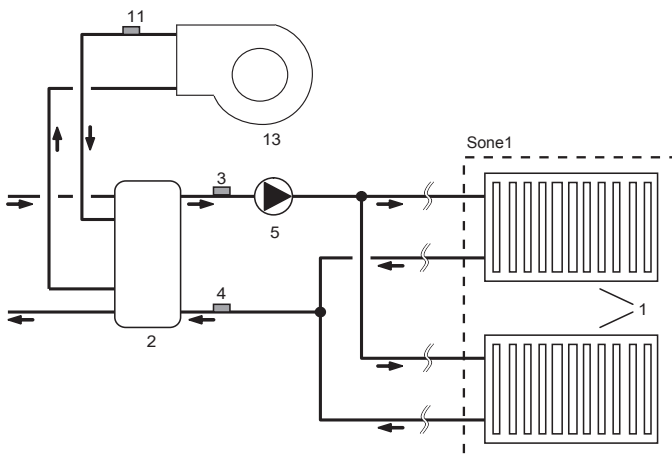
Temperaturkontroll i 1 sone



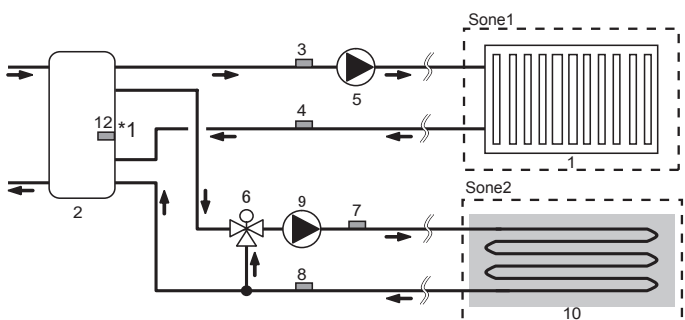
Temperaturkontroll i 2 soner



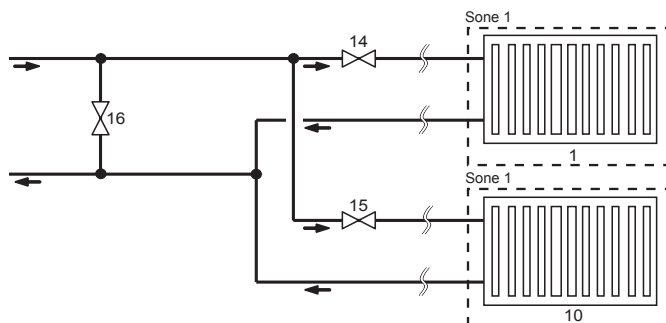
Temperaturkontroll i 1 sone med ekstern fyrkjele



Temperaturkontroll i 2 soner og buffertankkontroll



Temperaturkontroll i 1 sone (2-soneventil PÅ/AV-kontroll)



1. Varmestrålere i sone 1 (f.eks. radiator, luftkjøler) (skaffes lokalt)
2. Accutank (skaffes lokalt)
3. Turvanntemperaturføler for sone 1 (THW6)
4. Returvanntemperaturføler for sone 1 (THW7) } Valgfri del: PAC-TH011-E
5. Sirkulasjonspumpe for sone 1 (skaffes lokalt)
6. Motorisert blandeventil (skaffes lokalt)
7. Turvanntemperaturføler for sone 2 (THW8)
8. Returvanntemperaturføler for sone 2 (THW9) } Valgfri del: PAC-TH011-E
9. Sirkulasjonspumpe for sone 2 (skaffes lokalt)

10. Varmestrålere i sone 2 (f.eks. gulvvarme) (skaffes lokalt)
11. Strømningsvanntemperaturføler for ekstern fyrkjele (THWB1) } Valgfri del: PAC-TH012HT(L)-E
12. Føler for blandetank (THW10) *1
13. Ekstern fyrkjele (skaffes lokalt)
14. Tveisventil i sone 1 (skaffes lokalt)
15. Tveisventil i sone 2 (skaffes lokalt)
16. Avlastningsventil (skaffes lokalt)

*1 KUN buffertankkontroll (varme/kjøling) gjelder "Smartgrid klart".

4 Installasjon

<Forberedelser før installasjon og service>

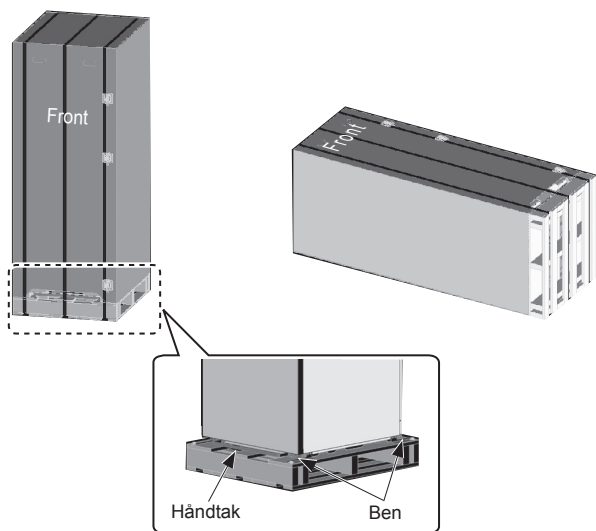
- Gjør klar de riktige verktøyene.
- Gjør klar riktig beskyttelse.
- Ikke prøv på vedlikehold før delene har kjølt seg ned.
- Sørg for tilstrekkelig ventilasjon.
- Etter at driften av systemet er stoppet, slår du av strømbryteren og tar ut støpselet.
- Tøm kondensatoren før du begynner å arbeide med elektriske deler.

<Forholdsregler under service>

- Ikke utfør arbeid som involverer elektriske deler med våte hender.
- Ikke hell vann eller væske på de elektriske delene.
- Ikke berør kuldemediet.
- Ikke berør de varme eller kalde overflatene i kuldemediesyklusen.
- Dersom reparasjonen eller undersøkelsen av kretsen må gjøres uten å slå av strømmen, må du være ytterst forsiktig så du ikke berører noen strømførende deler.

4.1 Plassering

■ Transport og håndtering



<Figur 4.1.1>

Sylinderenheten leveres på en trepalle med beskyttelse i kartong.

Det må utvises forsiktighet under transport av sylindere, slik at bekledningen ikke skades av støt. Ikke ta av den beskyttende emballasjen før sylindereheten har nådd sin endelige destinasjon. Dette bidrar til å beskytte strukturen og kontrollpanelet.

- Sylinderenheten kan transporteres enten vertikalt eller horisontalt. Dersom den transporteres horisontalt, må panelet som er merket "Front" vende **OPPOVER** <Figur 4.1.1>.
- Sylinderenheten må ALLTID transporteres av minst 3 personer.
- Bruk håndtakene som følger med når sylinderenheten bæres.
- Påse at håndtakene sitter godt fast før de tas i bruk.
- **Fjern fremre håndtak, festebenen, trepalle og annen emballasje når enheten er på plass på installasjonsstedet.**
- **Ta vare på håndtakene for fremtidig transport.**

■ Egnede plassering

Før installasjon må sylinderenheten lagres på et frostfritt, værsikkert sted. Enheter må **IKKE** stables.

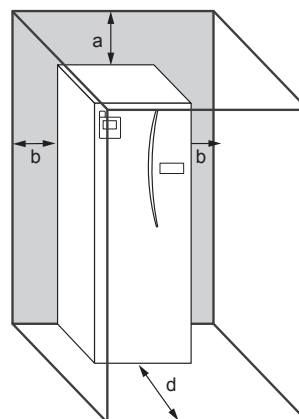
- Sylinderenheten må installeres innendørs på et frostfritt, værsikkert sted.
- Sylinderenheten må plasseres på en jevn overflate som tåler vekten dens når den er full. (Justerbare ben (tilleggsutstyr) kan brukes for å sikre at enheten står jevnt)
- Ved bruk av justerbare ben må det påses at gulvet er sterkt nok.
- Pass på at minimumsavstanden for servicetilgang overholdes rundt og foran enheten <Figur 4.1.2>.
- Fest sylinderenheten godt for å hindre at den velter.
- Installer sylinderenheten på et sted hvor den ikke blir utsatt for vann/høy fuktighet.

■ Diagram for servicetilgang

Servicetilgang	
Parameter	Mål (mm)
a	300*
b	150
c (avstanden bak enheten er ikke synlig i figur 4.1.2)	10
d	500

<Tabell 4.1.1>

Det MÅ lages nok plass til utløpsrørøpplagg slik beskrevet i nasjonale og lokale byggeforskrifter.



<Figur 4.1.2>

Servicetilgang

* Det kreves 300 mm ekstra plass (totalt 600 mm) når den valgfrie 2-sonepakken (PAC-TZ02-E) skal installeres på toppen av sylinderenheten.

Sylinderenheten må plasseres innendørs i et frostfritt miljø, for eksempel i et arbeidsrom, slik at varmetapet fra det lagrede vannet blir minimalt.

■ Flytting

Dersom det er behov for å flytte sylinderenheten til en ny posisjon, må den **TØM-MES HELT** før flytting for å unngå skade på enheten.

4 Installasjon

4.2 Vannkvalitet og systemklargjøring

■ Generelt

- Vannet i både hoved- og sanitærkretsen må være rent og med en pH-verdi på 6,5-8,0
- Maksimalverdiene er som følger:
 - Kalsium: 100mg/L, Ca-hardhet: 250mg/L
 - Klorid: 100mg/L, Kopper: 0,3mg/L
- Mengden av andre bestanddeler skal være i henhold til standardene i EU-direktiv 98/83 EC.
- For å unngå/minimalisere avskalling i områder med hardt vann, er det en fordel å begrense temperaturen for lagret vann (tappevann maks temp.) til 55°C.

■ Frostmiddel

Frostmiddel må inneholde propylenglykol med en klasse 1 toksisitetsskissifisering, slik listet i Clinical Toxicology of Commercial Products, 5. utgave.

Merk:

- Etylenglykol er giftig og må IKKE brukes i hovedvannkretsen i tilfelle kryssforurensning i drikkevannkretsen.
- For en PA/AV-kontroll for 2-soneventil må det brukes propylenglykol.

■ Ny installasjon (hovedvannkrets)

- Før utendørsenheten kobles til, må røropplegget rengjøres grundig for rusk, loddemetall osv. ved hjelp av et kjemisk rensmiddel.
- Skyll systemet for å fjerne det kjemiske rensmiddelet.
- For alle systemer med monoblokkmodell tilfører du en kombinert antikorrosjonsmiddel- og frostmiddelopløsning for å hindre skade på røropplegget og systemkomponentene.
- For splitmodell er det opp til den ansvarlige installatøren å avgjøre om frostmiddel er nødvendig ut fra forholdene på stedet. Antikorrosjonsmiddel må imidlertid alltid brukes.

■ Eksisterende installasjon (hovedvannkrets)

- Før utendørsenheten kobles til, MÅ den eksisterende varmekretsen kjemisk rengjøres for å fjerne rusk.
- Skyll systemet for å fjerne det kjemiske rensmiddelet.
- For alle pakke modeller og split- eller PUMY-systemer uten elektrisk spisslast: Legg til en kombinert antikorrosjon- og frostmiddelløsning for å hindre skade på rør og systemdeler.
- For splitmodell er det opp til den ansvarlige installatøren å avgjøre om frostmiddel er nødvendig ut fra forholdene på stedet. Antikorrosjonsmiddel må imidlertid alltid brukes.

Ved bruk av kjemiske rensmidler og antikorrosjonsmidler må alltid produsentens anvisninger følges, og du må påse at produktet er egnet for materialene som brukes i vannkretsen.

■ Im Raumheizkreis/Raumkühlkreis erforderliche Mindestwassermenge

Wärmepumpenaußen- gerät	Gjennomsnittlig / varmere klima**		Kaldere klima**	
	Innendør- senhet som inneholder vannmengde [L]	*Ekstra nødvendig vannmengde [L]	Innendør- senhet som inneholder vannmengde [L]	*Ekstra nødvendig vannmengde [L]
Monoblokk- modell	PUZ-WM50	2		24
	PUZ-WM60	4		29
	PUZ-WM85	7	5	32
	PUZ-WM112	11		43
	PUZ-HWM140	15		55
Splitmo- dell	SUZ-SWM40	1		12
	SUZ-SWM60	2		21
	SUZ-SWM80	4		29
	PUD-S(H)WM60	4		21
	PUD-S(H)WM80	6		29
	PUD-S(H)WM100	9		38
	PUD-S(H)WM120	12		47
	PUD-SHW140	15		55
	PUHZ-FRP71	6	5	27
	PUHZ-SW75	6		27
	PUHZ-SW100	9		38
	PUHZ-SW120	12		47
	PUHZ-SHW80	6		29
	PUHZ-SHW112	11		43
	PUHZ-SHW140	15		55
	PUMY-P112	22		75
	PUMY-P125	22		75
PUMY-P140	22		75	

<Tabelle 4.2.1>

* Hvis det er en omløpskrets, betyr tabell over minimum vannmengde ved omløp.

** Se 2009/125/EF: Energirelatert produktdirektiv og forordning (EU) nr. 813/2013 for å bekrefte klimasonen.

Tilfelle 1. Ikke skille mellom primær og sekundær krets

- Forsikre deg om nødvendig vannmengde i henhold til tabell 4.2.1 ved vannrør og radiator eller gulvvarme.

Tilfelle 2. Separat hovedkrets og sekundærkrets

- Hvis låsing av primær- og sekundærpumpe ikke er tilgjengelig, må du sørge for nødvendig ekstra vann i bare primærkrets i henhold til tabell 4.2.1.
- Hvis låsing av primær- og sekundærpumpe er tilgjengelig, må du sørge for nødvendig vannmengde i primær- og sekundærkrets i henhold til tabell 4.2.1. Installer buffertank i tilfelle mangel på nødvendig vannmengde.

4.3 Arbeid med vannrør

■ Røropplegg for tappevann

Sylinderenheten er UVENTILERT. Ved installasjon av uventilerte tappevannsystemer må del G3 (England og Wales), P3 (Skottland) og P5 (Nord-Irland) av byggeforskriftene følges. Dersom du befinner deg utenfor Storbritannia, må du følge ditt lands forskrifter vedrørende uventilerte tappevannsystemer.

Koble strømmingen for tappevann til rør A (figur 3.1).

De følgende av sylinderenhetens sikkerhetskomponenter bør kontrolleres for uregelmessigheter ved installasjon:

- Trykksikkerhetsventil (hovedkrets og bereder)
- Forlading av ekspansjonskar (gassladetrykk)

Anvisningene på de følgende sidene angående sikker tømning av tappevann fra sikkerhetsanordninger må følges nøye.

- Røropplegget blir veldig varmt, og må derfor isoleres for å hindre forbreining.
- Når du kobler røropplegg, må du påse at ingen fremmedlegemer slik som rusk og lignende kommer inn i røret.

■ Røropplegg for kaldtvann

Kaldt vann som holder akseptabel standard (se avsnitt 4.2) skal introduseres til systemet gjennom tilslutningsrør B (figur 3.1) ved bruk av egnet kobling.

■ Forhindring av negativt trykk

For å forhindre at negativt trykk påvirker varmtvannsberederen må installatøren installere egnet røropplegg eller bruke egnede apparater.

■ Arbeid med hydraulisk filter (KUN E*PT-serien)

Installer et hydraulisk filter eller filter (skaffes lokalt) ved vanninntaket ("rør E" i fig. 3.1)

■ Kobling av røropplegg

Koblinger til sylinderenheten gjøres med en 22 mm eller 28 mm trykkobling etter hva som passer.

Ved tilkobling av tappevannsrør med kompresjonsbeslag, sett **kobberfôringen på tappevannsrør** (tilbehørsdeler) inn i rørene og stram dem fra 0,75 til 1,25 omdreininger.

Ikke stram trykkoblingene for hardt, da dette fører til deformasjon av doppskoen og mulig lekkasje.

Merk: Før sveising av rør i feltet, beskytt rør på sylinderenheten med våte håndklær etc som "varmeskjold".

■ Isolasjon av røropplegg

- Alt eksponert vannrøropplegg må isoleres for å unngå unødvendig varmetap og kondens. For å hindre at kondens kommer inn i sylinderenheten, må røropplegget og koblingene øverst på sylinderenheten isoleres grundig.
- For å unngå uønsket varmeoverføring bør røroppleggene for kaldt- og tappevann ikke ligge for nære hverandre, dersom dette er mulig.
- Røropplegget mellom varmpumpen utendørs og sylinderenheten må isoleres med egnet rørisolasjonsmateriale med en varmeledningsevne på $\leq 0,04$ W/mK.

4 Installasjon

■ Avtappingsrørøpplagg (KUN ER-serien)

Ekstra utstyret «Dreneringspannestativ» trenger ikke å settes fordi dreneringspannen er installert. Avløpet bør settes fra dreneringsmuffen til venstre bak på enheten.

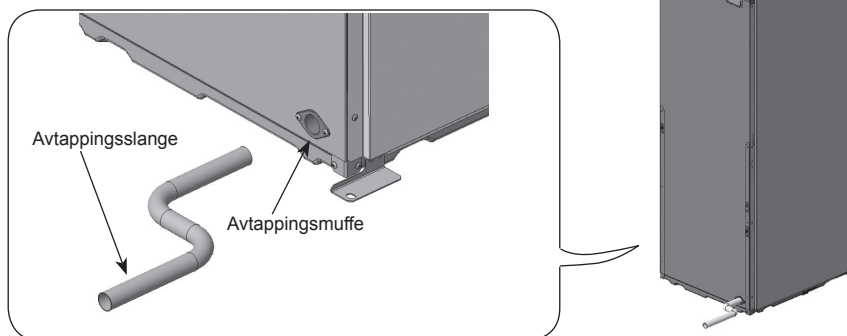
Dreneringsrøret må installeres for å drenere kondensert vann i kjølingsmodus.

- For å hindre at skittent vann tappes av rett på gulvet ved siden av sylindereheten må det kobles til egnet utløpsrørøpplagg fra sylinderehetens avtappingspanne.
- Installer avtappingsrøret riktig for å hindre lekkasje fra tilkoblingen.
- Isoler avtappingsrøret riktig for å hindre at det drypper vann fra det lokalt anskaffede avtappingsrøret.
- Installer avtappingsrøret i nedgående helling på 1/100 eller mer.
- Ikke plasser avtappingsrøret i avtappingskanalen, hvor det finnes svovelholdig gass.
- Etter installasjonen må du kontrollere at avtappingsrøret tapper vekk vann skikkelig fra røret til et passende uttømningssted.

<Installasjon>

1. Dreneringsmuffen (indre diameter på 26 mm) er på venstre bakside på sylindereheten. (Figur 4.3.1)
2. Fest dreneringsrøret (VP-20) som passer til dreneringsmuffen med polyvinylklorid-lim.
3. Sett dreneringsrørøpplagg opp til utløpet med en hellingsgrad på mer enn en hundredel.

Merk: Fest det lokalt anskaffede avtappingsrøret godt for å hindre at det faller ut av avtappingsmuffen.



<Figure 4.3.1>

■ Dimensjonering av ekspansjonskar

Ekspansjonskarvolumet må passe til vannvolumet i det lokale systemet.

Bruk følgende formel og graf til å dimensjonere et ekspansjonskar for varmekretsen.

Når nødvendig ekspansjonskarvolum er større enn volumet til det innebygde ekspansjonskaret, må det installeres et ekstra ekspansjonskar slik at summen av ekspansjonskarenes volum er større enn nødvendig ekspansjonskarvolum.

* For installasjon av en E**T***-M*ED*-modell, oppgi og installer et egnet ekspansjonskar av passende størrelse på hovedsiden og ytterligere 3 bar nominell trykkavlastningsventil i felten side modellen **IKKE** kommer utstyrt med et ekspansjonskar på hovedsiden.

$$V = \frac{\varepsilon \times G}{1 - \frac{P_1 + 0,098}{P_2 + 0,098}}$$

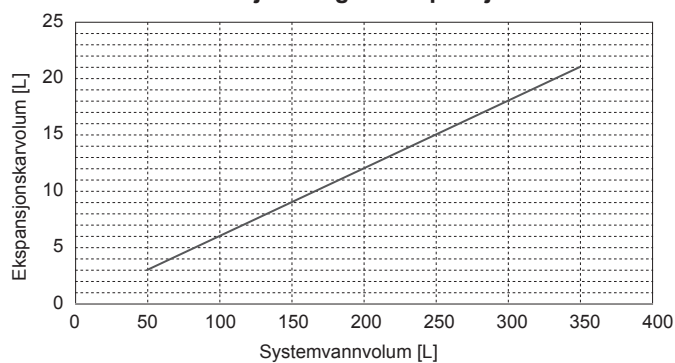
Hvor:

- V : Nødvendig ekspansjonskarvolum [L]
- ε : Vannets utvidelseskoeffisient
- G : Totalt vannvolum i systemet [L]
- P_1 : Trykk i ekspansjonskar [MPa]
- P_2 : Maksimalt trykk under drift [MPa]

Grafen til høyre er for følgende verdier:

- ε : ved 70°C = 0,0229
- P_1 : 0,1 MPa
- P_2 : 0,3 MPa
- *En sikkerhetsmargin på 30 % er lagt til.

Dimensjonering av ekspansjonskar



<Figur 4.3.2>

4 Installasjon

Egenskaper for sirkulasjonspumpe

1. Hovedkrets

Pumpehastigheten kan stilles inn med hovedkontrolleren (se <Figur 4.3.3 - 4.3.7>). Juster innstillingen for pumpehastighet slik at strømningshastigheten i hovedkretsen er passende for utendørsenheten som er installert (se tabell 4.3.1). Det kan være nødvendig å legge en ekstra pumpe til systemet avhengig av lengden og løfteevnen til hovedkretsen.

Hvis utendørsmodellen ikke er oppgitt i <Tabell 4.3.1>, kan du se i Område for vannstrømningshastighet i spesifikasjonstabellen i utendørsenhetens databok.

<Andre pumpe>

Dersom installasjonen krever en pumpe til, må du lese det følgende nøye. Dersom en andre pumpe skal brukes i systemet, kan den plasseres på 2 måter. Pumpens posisjon har innvirkning på hvilket FTC-uttak signalkabelen skal kobles til. Dersom de(n) ekstra pumpen(e) har elektrisk strøm på mer enn 1 A må det brukes et egnet relé. Pumpesignalkabelen kan enten kobles til TBO.1 1-2 eller CNP, men ikke til begge.

Alternativ 1 (Kun romoppvarming/romkjøling)

Signalkabelen skal kun kobles til TBO.1-uttakene 3 og 4 (OUT2) dersom den andre pumpen er i bruk i varmekretsen. I denne posisjonen kan pumpen kjøres i en annen hastighet enn sylinderenhetens innebygde pumpe.

Alternativ 2 (Tappevann i hovedkrets og romoppvarming/romkjøling)

Dersom den andre pumpen er i bruk i hovedkretsen mellom sylinderenheten og utendørsenheten (KUN for monoblokkmodeller), skal signalkabelen kobles til TBO.

1-uttakene 1 og 2 (OUT1). I denne posisjonen **MÅ** pumpehastigheten tilsvare hastigheten til sylinderenhetens innebygde pumpe.

Merk: Se 5.2 Tilkobling av eksterne innganger/utganger.

Utendørs varmpumpeenhet		Område for vannstrømningshastighet [L/min]
Monoblokkmodell	PUZ-WM50	6,5 - 14,3
	PUZ-WM60	8,6 - 17,2
	PUZ-WM85	10,8 - 24,4
	PUZ-WM112	14,4 - 32,1
	PUZ-HWM140	17,9 - 36,9
Splitmodell	SUZ-SWM40	6,5 - 11,4
	SUZ-SWM60	7,2 - 17,2
	SUZ-SWM80	7,8 - 21,5
	PUD-S(H)WM60	9,0 - 22,9
	PUD-S(H)WM80	9,0 - 22,9
	PUD-S(H)WM100	14,3 - 34,4
	PUD-S(H)WM120	14,3 - 34,4
	PUD-SHWM140	14,3 - 34,4
	PUHZ-FRP71	11,5 - 22,9
	PUHZ-SW75	10,2 - 22,9
	PUHZ-SW100	14,4 - 32,1
	PUHZ-SW120	20,1 - 36,9
	PUHZ-SHW80	10,2 - 22,9
	PUHZ-SHW112	14,4 - 32,1
	PUHZ-SHW140	17,9 - 36,9
	PUMY-P112	17,9 - 35,8
PUMY-P125	17,9 - 35,8	
PUMY-P140	17,9 - 35,8	

<Tabell 4.3.1>

* Hvis vannets strømningshastighet er mindre enn 5,0 L/min, aktiveres feil for strømningshastighet.

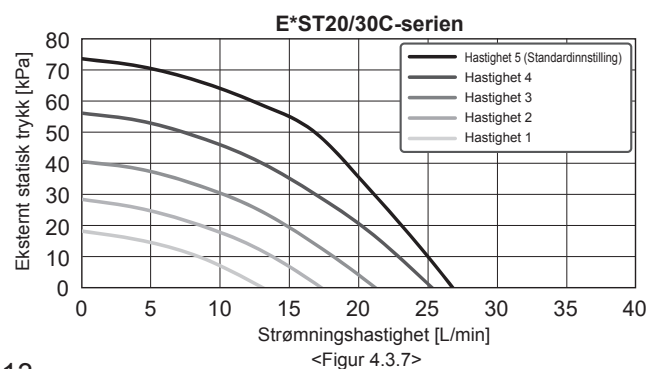
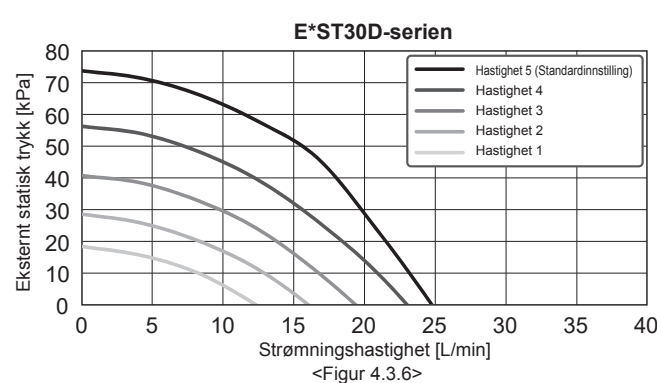
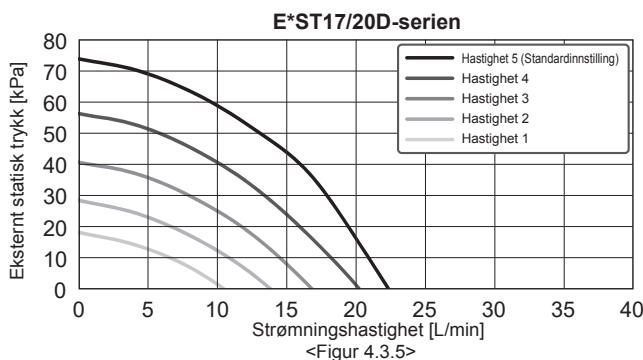
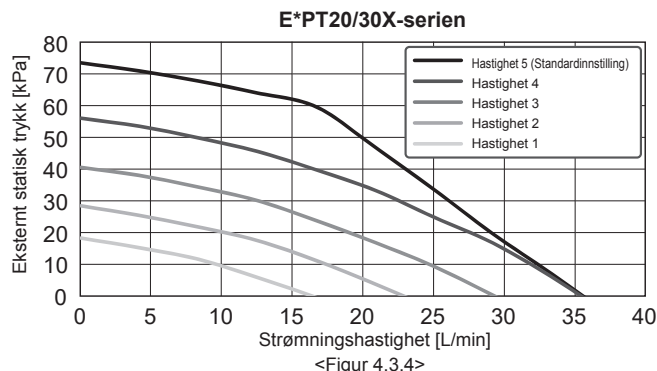
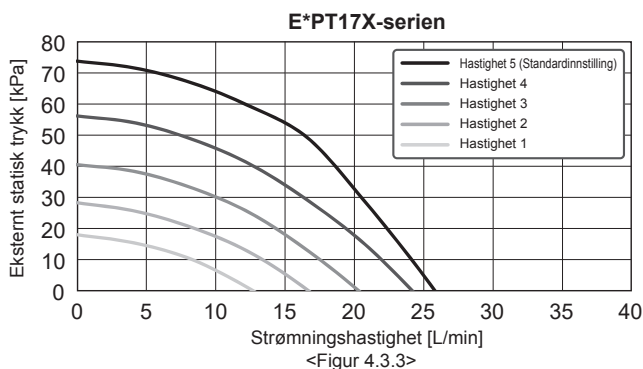
Hvis vannets strømningshastighet er høyere enn 36,9 L/min (E**T20/30-serien) eller 25,8 L/min (E**T17-serien), er hastigheten høyere enn 2,0 m/s, noe som kan erodere rørene.

2. Sanitærkrets

Standardinnstilling: Hastighet 2

Sirkulasjonspumpe for tappevann **MÅ** være satt til hastighet 2.

Egenskaper for sirkulasjonspumpe



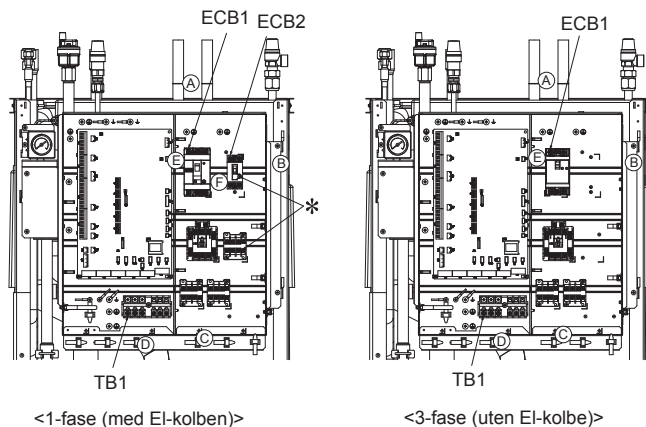
*Ved installasjon av en modell i E*PT-serien må et trykkfall mellom sylinderenheten og utendørsenheten tas med i beregningen av eksternt statisk trykk når pumpehastigheten stilles.

4 Installasjon

4.4 Elektrisk tilkobling

Alt elektrisk arbeid må utføres av en tilstrekkelig kvalifisert elektriker. Dersom dette ikke overholdes, kan det føre til elektrisk støt, brann og dødsfall. Det vil også gjøre produktgarantien ugyldig. All kabling må være i henhold til nasjonale forskrifter vedrørende kablinger.

Forkortelse for bryter	Betydning
ECB1	Jordingskretsbytter for elektrisk spisslast
ECB2	Jordingskretsbytter for EI-kolben
TB1	Koblingsplint 1

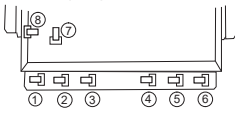


Sylinderenheten kan tilføres strøm på to måter.

1. Ved at en strømkabel strekkes fra utendørsenheten til sylinderenheten.
2. Ved at sylinderenheten har en uavhengig strømkilde.

Tilkoblinger skal gjøres til uttakene som er indikerte i figurene nedenfor til venstre avhengig av fasen.

Elektrisk spisslast og EI-kolben må tilkobles uavhengig av hverandre til dedikerte strømforsyninger.

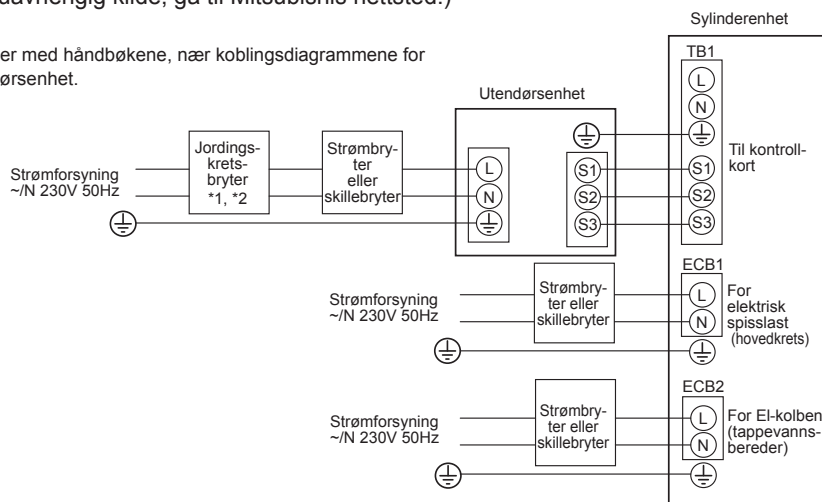
- Lokalt anskaffede ledninger føres inn gjennom inngangene som er plassert oppå sylinderenheten. (Se <Tabell 3.4>.)
 - Ledninger skal føres ned langs høyre side av kontrollboks og elektrisk boks og klemmes på plass med klipsene som medfølger.
 - Ledningene skal føres inn individuelt gjennom kabelinngangene som vist nedenfor.
- 
- 2 Ledning for utganger
 - 3 Innendørs-utendørs-ledning
 - 5 Strømledning (B.H.)
Strømledning (I.H.) (ekstrautstyr)
 - 7 Ledning for signalinngang
 - 8 Koble forbindelseskabelen for utendørsenhet - sylinderenhet til TB1.
 - 9 Koble strømkabelen til elektrisk spisslast til ECB1.
 - 10 Dersom det finnes en EI-kolben, kobles strømkabelen til ECB2.

- Unngå kontakt mellom kabling og deler (*).
- Påse at ECB1 og ECB2 er PÅ.
- Når koblingene er fullført, må du påse at kabelen til hovedkontrolleren er koblet til relékontakten.

Strømforsyning til sylinderenhet via utendørsenhet.
(Hvis du vil bruke uavhengig kilde, gå til Mitsubishis nettsted.)

<1-fase>

Fest etikett A, som følger med håndbøkene, nær koblingsdiagrammene for sylinderenhet og utendørsenhet.



- *1. Dersom den installerte jordingskrets-bryteren ikke har overstrømsvern, må du installere en bryter med den funksjonen langs den samme strømlinjen.
- *2. Det må skaffes en bryter med minst 3,0 mm kontaktavstand i hver pol. Bruk jordingsbryter (NV). Bryter må skaffes for å sikre frakobling av alle aktive faseledninger i forsyningen.
- *3. Maks. 45 m
Dersom 2,5 mm² brukes, maks. 50 m
Dersom 2,5 mm² brukes og S3 er separert, maks. 80 m
- *4. Verdiene som oppgis i tabellen over måles ikke alltid mot jordingsverdien.

<Figur 4.4.1>
Elektriske koblinger 1-fase

Beskrivelse	Strømforsyning	Kapasitet	Bryter	Kabling
Elektrisk spisslast (hovedkrets)	~N 230 V 50 Hz	2 kW	16 A *2	2,5 mm ²
		6 kW	32 A *2	6,0 mm ²
EI-kolben (tappevannsbereider)	~N 230 V 50 Hz	3 kW	16 A *2	2,5 mm ²

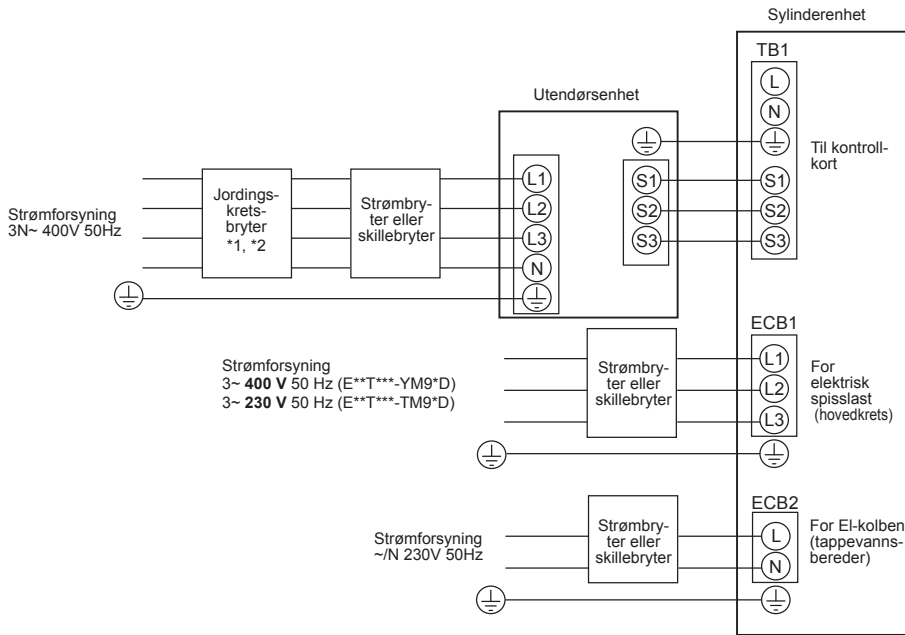
Kabling nr. Kabling nr. x størrelse (mm ²)	Sylinderenhet - utendørsenhet	*3	3 × 1,5 (polar)
	Sylinderenhet - jording, utendørsenhet	*3	1 × Min. 1,5
Merke-data for krets	Sylinderenhet - utendørsenhet S1 - S2	*4	230V AC
	Sylinderenhet - utendørsenhet S2 - S3	*4	24V DC

- Merk:**
1. Kablingsstørrelsen må være i samsvar med gjeldende lokale og nasjonale lover.
 2. Kobleledninger for innendørsenhet/utendørsenhet skal ikke være lettere enn polyklortrifluoretylenmantlede ledninger. (Design 60245 IEC 57)
Strømforsyningsledninger for innendørsenhet skal ikke være lettere enn polyklortrifluoretylenmantlede ledninger. (Design 60227 IEC 53)
 3. Installer en jordkabel som er lengre enn andre kabler.
 4. Pass på at strømforsyningen for hver varmer er tilstrekkelig. Utilstrekkelig strømforsyningskapasitet kan føre til skramling.

4 Installasjon

<3-fase>

Fest etikett A, som følger med håndbøkene, nær koblingsdiagrammene for sylinderenhet og utendørsenhet.



<Figur 4.4.2>
Elektriske koblinger 3-fase

Beskrivelse	Strømforsyning	Kapasitet (kjølem. innendørsenhet)	Bryter	Kabling
Elektrisk spisslast (hovedkrets)	3~ 400 V 50 Hz	9 kW	16 A *2	2,5 mm ²
	3~ 230 V 50 Hz	9 kW	32 A *2	6,0 mm ²
EI-kolben (tappevannsbereeder)	~/N 230 V 50 Hz	3 kW	16 A *2	2,5 mm ²

Kabling Kabling nr. x størrelse (mm ²)	Sylinderenhet - utendørsenhet	*3	3 x 1,5 (polar)
	Sylinderenhet - jording, utendørsenhet	*3	1 x Min. 1,5
Merke-data for krets	Sylinderenhet - utendørsenhet S1 - S2	*4	230V AC
	Sylinderenhet - utendørsenhet S2 - S3	*4	24V DC

*1. Dersom den installerte jordingskrets-bryteren ikke har overstrømsvern, må du installere en bryter med den funksjonen langs den samme strømlinjen.

*2. Det må skaffes en bryter med minst 3,0 mm kontaktavstand i hver pol. Bruk jordingsbryter (NV).

Bryter må skaffes for å sikre frakobling av alle aktive faseledninger i forsyningen.

*3. Maks. 45 m

Dersom 2,5 mm² brukes, maks. 50 m

Dersom 2,5 mm² brukes og S3 er separat, maks. 80 m

*4. Verdiene som oppgis i tabellen over måles ikke alltid mot jordingsverdien.

Merk: 1. Kablingsstørrelsen må være i samsvar med gjeldende lokale og nasjonale lover.

2. Koblingsledninger for innendørsenhet/utendørsenhet skal ikke være lettere enn polyklortrifluoretylenmantlede ledninger. (Design 60245 IEC 57)

Strømforsyningsledninger for innendørsenhet skal ikke være lettere enn polyklortrifluoretylenmantlede ledninger. (Design 60227 IEC 53)

3. Installer en jordkabel som er lengre enn andre kabler.

4. Pass på at strømforsyningen for hver varmer er tilstrekkelig. Utilstrekkelig strømforsyningskapasitet kan føre til skramling.

5 Systemoppsett

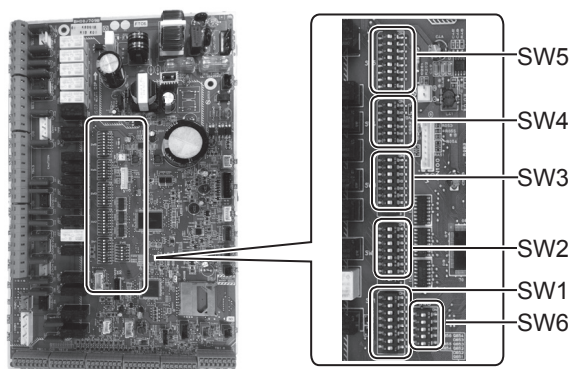
5.1 Vippebryterfunksjoner

Ordet PÅ er trykket både på kretskortet og på selve vippebryterplaten. For å bevege på bryteren må du bruke en nål, hjørnet av en tynn metallinjal, eller lignende.

Innstillinger for vippebrytere er listet opp nedenfor i tabell 5.1.1.

Bare autoriserte installatører kan endre innstillingen for DIP-brytere, og det på eget ansvar i henhold til installasjonsforholdene.

Påse at strømforsyningene til både innendørs- og utendørsenheten er slått av før bryterinnstillingene endres.



<Figur 5.1.1>

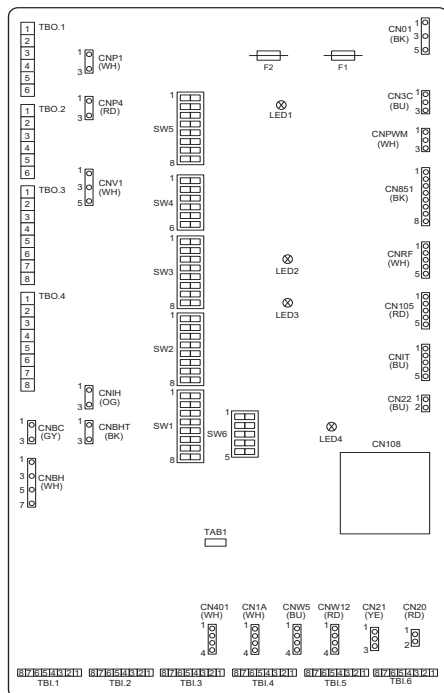
Vippebryter	Funksjon	AV	PÅ	Standardinnstillinger: Innendørsenhet			
SW1	SW1-1 Ekstern fyrkjele	UTEN ekstern fyrkjele	MED ekstern fyrkjele	AV			
	SW1-2 Maksimal temperatur på utløpsvann fra varmpumpe	55 °C	60 °C	PÅ *1			
	SW1-3 Tappevannsbereeder	UTEN tappevannsbereeder	MED tappevannsbereeder	PÅ			
	SW1-4 El-kolben	UTEN El-kolben	MED El-kolben	AV: Unntatt EHPT20X-MHEDW PÅ: EHPT20X-MHEDW			
	SW1-5 Elektrisk spisslast	UTEN elektrisk spisslast	MED elektrisk spisslast	AV: E**T***-M*ED* PÅ: E**T***-M 2/6/9*D			
	SW1-6 Elektrisk spisslast-funksjon	Kun for varme	For varme og tappevann	AV: E**T***-M*ED* PÅ: E**T***-M 2/6/9*D			
	SW1-7 Type utendørsenhet	Splitmodell	Monoblokkmodell	AV: E*ST***-M**D PÅ: E*PT**X-*M**D*			
	SW1-8 Trådløs fjernkontroll	UTEN trådløs fjernkontroll	MED trådløs fjernkontroll	AV			
SW2	SW2-1 Endring i inngangslogikk (IN1) for romtermostat 1	Driftsstopp i sone 1 ved termostat kortslutning	Driftsstopp i sone 1 ved åpen termostat	AV			
	SW2-2 Endring i inngangslogikk (IN2) for Flow switch 1	Oppdager feil ved kortslutning	Oppdager feil ved åpen	AV			
	SW2-3 Kapasitetsrestriksjoner for elektrisk spisslast	Inaktiv	Aktiv	AV: Unntatt E**T***-VM2*D PÅ: E**T***-VM2*D			
	SW2-4 Kjølingsmodusfunksjon	Inaktiv	Aktiv	AV: EH*T***-M**D* PÅ: ER*T***-M**D*			
	SW2-5 Automatisk bytte til drift kun av varmekilde (når utendørsenheten stopper ved en feil)	Inaktiv	Aktiv *2	AV			
	SW2-6 Accutank	UTEN accutank	MED accutank	AV			
	SW2-7 Temperaturkontroll i 2 soner	Inaktiv	Aktiv *6	AV			
	SW2-8 Flowsensor	UTEN flowsensor	MED flowsensor	PÅ			
SW3	SW3-1 Endring i inngangslogikk (IN6) for romtermostat 2	Driftsstopp i sone 2 ved termostat kortslutning	Driftsstopp i sone 2 ved åpen termostat	AV			
	SW3-2 Endring i inngangslogikk (IN3) for strømningsbryter 2	Oppdager feil ved kortslutning	Oppdager feil ved åpen	AV			
	SW3-3 Treveisventil type	Vekselstrømsmotor	Stepmotor	AV: Unntatt E**T17X/17D/20D-*M**D* PÅ: E**T17X/17D/20D-*M**D*			
	SW3-4 Elektrisk strømmåler	UTEN elektrisk strømmåler	MED elektrisk strømmåler	AV			
	SW3-5 Varmemodusfunksjon *3	Inaktiv	Aktiv	PÅ			
	SW3-6 PÅ/AV-kontroll for 2-soneventil	Inaktiv	Aktiv	AV			
	SW3-7 Varmevexsler for tappevann	Coil i bereder	Ekstern platevarmexsler	PÅ			
	SW3-8 Ekstern energimåler	UTEN ekstern energimåler	MED ekstern energimåler	AV			
SW4	SW4-1	—	—	AV			
	SW4-2	—	—	AV			
	SW4-3	—	—	AV			
	SW4-4 Kun drift av vannkrets (under installeringsarbeid) *4	Inaktiv	Aktiv	AV			
	SW4-5 Nødmodus (kun drift av spisslast)	Normal	Nødmodus (kun drift av spisslast)	AV *5			
	SW4-6 Nødmodus (drift av ekstern fyrkjele)	Normal	Nødmodus (drift av ekstern fyrkjele)	AV *5			
SW5	SW5-1	—	—	AV			
	SW5-2 Avansert automatisk tilpasning	Inaktiv	Aktiv	PÅ			
	SW5-3	Kapasitetskode					
	SW5-4		SW5-3	SW5-4	SW5-5	SW5-6	SW5-7
	SW5-5	E**T***C-*M**D	PÅ	PÅ	PÅ	PÅ	AV
	SW5-6	E**T***D-*M**D	PÅ	AV	AV	PÅ	AV
	SW5-7	E**T***X-*M**D*	AV	AV	AV	AV	AV
	SW5-8	—	—	—	—	—	AV
SW6	SW6-1	—	—	AV			
	SW6-2	—	—	AV			
	SW6-3 Trykkføler	Inaktiv	Aktiv	AV: Unntatt E*ST**D-*M**D PÅ: E*ST**D-*M**D			
	SW6-4 Analogt utgangssignal (0–10 V)	Inaktiv	Aktiv	AV			
	SW6-5	—	—	—	AV		

<Tabell 5.1.1>

- Merk:**
- *1. Når sylinderenheten er tilkoblet en PUMY-P-utendørsenhet med maksimal temperatur på utløpsvannet på 55 °C, må vippebryter SW1-2 endres til AV.
 - *2. Ekstern utgang (OUT11) vil være tilgjengelig. Av sikkerhetsmessige årsaker er ikke denne funksjonen tilgjengelig for enkelte feil. (Hvis så er tilfelle må drift av systemet stoppes. Kun sirkulasjonspumpen skal fortsette å kjøre.)
 - *3. Denne bryteren fungerer bare når sylinderenheten er tilkoblet en PUHZ-FRP-utendørsenhet. Når en annen type utendørsenhet er koblet til, vil varmemodusfunksjonen være aktiv uansett om bryteren er satt til PÅ eller AV.
 - *4. Romoppvarming og tappevann kan bare utføres i vannkretsen, som en elektrisk element. (Se "5.4 Drift av kun vannkrets".)
 - *5. Dersom det ikke er behov for nødmodus lenger, skal bryteren settes tilbake i AV-posisjon.
 - *6. Kun aktiv når SW3-6 er stilt til AV.

5 Systemoppsett

5.2 Tilkobling av innganger/utganger



<Figur 5.2.1>

Ledningsspesifikasjoner og deler som skaffes lokalt

Element	Navn	Modell og spesifikasjoner
Signal-inngangs-funksjon	Ledning for signalinngang	Bruk mantlet, vinylbekledd ledning eller kabel. Maks. 30 m Ledningstype: CV, CVS eller tilsvarende Ledningsstørrelse: Flertrådet ledning 0,13 mm ² til 0,52 mm ² Massiv ledning: ø0,4 mm til ø0,8 mm
	Bryter	Spenningsløse "a"-kontaktsignaler Fjernbryter: minste anvendbare last 12 V DC, 1 mA

Merk:

Flertrådet ledning bør brukes med en isolert endehylse (DIN46228-4 standard kompatibel type).

■ Signalinnganger

Navn	Koblingsplint	Kontakt	Element	AV (åpen)	PÅ (kortslutning)
IN1	TBI.1 7-8	—	Inngang romtermostat 1 *1	Se SW2-1 i <5.1 Vippebryterfunksjoner>.	
IN2	TBI.1 5-6	—	Inngang Flow switch 1	Se SW2-2 i <5.1 Vippebryterfunksjoner>.	
IN3	TBI.1 3-4	—	Inngang Flow switch 2 (sone 1)	Se SW3-2 i <5.1 Vippebryterfunksjoner>.	
IN4	TBI.1 1-2	—	Inngang for behovs kontroll	Normal	Varmekilde AV/Drift av ekstern fyrkjele *3
IN5	TBI.2 7-8	—	Inngang for utendørstermostat *2	Vanlig drift	Drift av spisslast/ Drift av ekstern fyrkjele *3
IN6	TBI.2 5-6	—	Inngang romtermostat 2 *1	Se SW3-1 i <5.1 Vippebryterfunksjoner>.	
IN7	TBI.2 3-4	—	Inngang Flow switch 3 (sone 2)	Se SW3-2 i <5.1 Vippebryterfunksjoner>.	
IN8	TBI.3 7-8	—	Ekstern strømmåler 1	*4	
IN9	TBI.3 5-6	—	Ekstern strømmåler 2		
IN10	TBI.2 1-2	—	Energimåler	*5	
IN11	TBI.3 3-4	—			
IN12	TBI.3 1-2	—	Inngang Smartgrid klart		
INA1	TBI.4 1-3	CN1A	Flowsensor	—	—

*1. Sett PÅ/AV-syklusen til romtermostaten til 10 minutter eller mer. Ellers kan kompressoren skades.

*2. Dersom utendørstermostaten brukes til å drive spisslast, kan det være at levetiden til spisslasten og tilhørende deler reduseres.

*3. For å slå på driften av ekstern fyrkjele, bruker du hoved fjernkontrolleren til å velge "Ekstern fyrkjele" i skjermbildet "Eksterne inngangsinnt." i servicemenyen.

*4. Strømmåler og nergimåler som kan kobles til

- Pulstype Spenningsfri kontakt for 12VDC-deteksjon av FTC (TBI.2 1 pinne, TBI.3 5 og 7 pinner har en positiv spenning.)
- Pulsvarighet Minimum tid for PÅ: 40 ms
Minimum tid for AV: 100 ms
- Mulig enhet for puls 0,1 puls/kWh 1 puls/kWh 10 puls/kWh
100 puls/kWh 1000 puls/kWh

Disse verdiene kan angis med hovedkontrolleren. (Se menyoversikten i "Hovedkontroller".)

*5. Som for "Smartgrid klart", se "5.5 Smartgrid klart".

■ Følerinnganger

Navn	Koblingsplint	Kontakt	Element	Modell hvor delen er valgfri
TH1	—	CN20	Føler (romtemp.) (Valgfri)	PAC-SE41TS-E
TH2	—	CN21	Føler (temp. på kuldemedievæske)	—
THW1	—	CNW12 1-2	Føler (vanntemp. strømming)	—
THW2	—	CNW12 3-4	Føler (returvanntemp.)	—
THW5A	—	CNW5 1-2	Føler (Øvre temperatur for tappevannstank)	—
THW5B	—	CNW5 3-4	Føler (Nedre temperatur for tappevannstank)	—
THW6	TBI.5 7-8	—	Føler (vanntemp. strømming i sone1) (Valgfri) *1	PAC-TH011-E
THW7	TBI.5 5-6	—	Føler (vanntemp. retur i sone1) (Valgfri) *1	
THW8	TBI.5 3-4	—	Føler (vanntemp. strømming i sone2) (Valgfri) *1	PAC-TH011-E
THW9	TBI.5 1-2	—	Føler (vanntemp. retur i sone2) (Valgfri) *1	
THWB1	TBI.6 7-8	—	Føler (vanntemp. strømming i ekstern fyrkjele) (Valgfri) *1	PAC-TH012HT-E(5 m/
THW10	TBI.6 5-6	—	Føler (vanntemp. blandetank) (Valgfri) *1	PAC-TH012HTL-E(30 m)

Installer følerkablingen et stykke unna strømlinjen og/eller kablingene OUT1 til 16.

*1. Maksimal lengde på følerkablingen er 30 m.

Lengden på de valgfrie følerne er 5 m. Hvis det er nødvendig å skjote og forlenge ledningene, må du utføre følgende.

1) Koble sammen ledningene med lodding.

2) Isolert hvert tilkoblingspunkt mot støv og vann. Flertrådet ledning bør brukes med en isolert endehylse (DIN46228-4 standard kompatibel type).

5 Systemoppsett

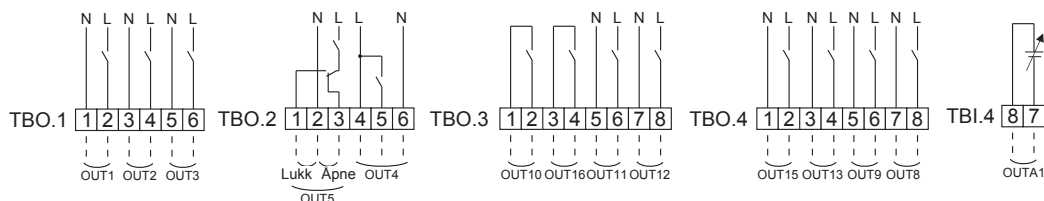
Utganger

Navn	Koblingsplint	Kontakt	Element	AV	PÅ	Signal/maks. strøm	Maks. total strøm
OUT1	TBO.1 1-2	CNP1	Utgang sirkulasjonspumpe 1 (Romoppvarming/romkjøling og tappevann)	AV	PÅ	230 V AC 1,0 A Maks. (40 A maks. inngående strøm)	4,0 A (a)
OUT2	TBO.1 3-4	—	Utgang sirkulasjonspumpe 2 (Romoppvarming/romkjøling for sone 1)	AV	PÅ	230 V AC 1,0 A Maks. (40 A maks. inngående strøm)	
OUT3	TBO.1 5-6	—	Utgang sirkulasjonspumpe 3 (Romoppvarming/romkjøling for sone 2) *1 Utgang toveisventil 2b *2	AV	PÅ	230 V AC 1,0 A Maks. (40 A maks. inngående strøm)	
OUT14	—	CNP4	Utgang sirkulasjonspumpe 4 (VV)	AV	PÅ	230 V AC 1,0 A Maks. (40 A maks. inngående strøm)	
OUT4	TBO.2 4-6	CNV1	Utgang treveisventil (toveisventil)	Varme	VV	230 V AC 0,1 A Maks.	3,0 A (b)
	—	CN851	Utgang treveisventil				
OUT5	TBO.2 1-2 TBO.2 2-3	—	Utgang blandeventil *1	Stopp	Lukk Åpne	230 V AC 0,1 A Maks.	
OUT6	—	CNBH 1-3	Utgang elektrisk spisslast 1	AV	PÅ	230 V AC 0,5 A Maks. (relé)	
OUT7	—	CNBH 5-7	Utgang elektrisk spisslast 2	AV	AV	230 V AC 0,5 A Maks. (relé)	
OUT8	TBO.4 7-8	—	Utgangssignal for kjøling	AV	PÅ	230 V AC 0,5 A Maks.	
OUT9	TBO.4 5-6	CNIH	Utgang EI-kolben	AV	PÅ	230 V AC 0,5 A Maks. (relé)	
OUT11	TBO.3 5-6	—	Feilutgang	Normal	Feil	230 V AC 0,5 A Maks.	
OUT12	TBO.3 7-8	—	Utgang for avising	Normal	Avising	230 V AC 0,5 A Maks.	
OUT13	TBO.4 3-4	—	Utgang toveisventil 2a *2	AV	PÅ	230 V AC 0,1 A Maks.	
OUT15	TBO.4 1-2	—	Komp PÅ-signal	AV	PÅ	230 V AC 0,5 A Maks.	
OUT10	TBO.3 1-2	—	Utgang for ekstern fyrkjele	AV	PÅ	Spenningsløs kontakt ·220-240 V AC (30 V DC) ·0,5 A eller mindre ·10 mA 5V DC eller mer	—
OUT16	TBO.3 3-4	—	Varme/kjøling termo PÅ-signal	AV	PÅ		
OUTA1	TBI.4 7-8	—	Analog utgang	0 V-10 V		0-10 V DC 5 mA Maks.	—

Må ikke kobles til utgangene som er indikert som "—" i feltet "Koblingsplint".

*1 For temperaturkontroll i 2 soner

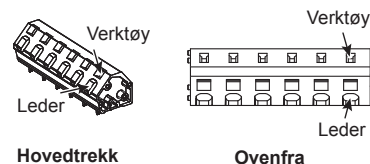
*2 For PÅ/AV-kontroll for 2-soner



Ledningsspesifikasjoner og deler som skaffes lokalt

Element	Navn	Modell og spesifikasjoner
Funksjon for ekstern utgang	Ledning for utganger	Bruk mantlet, vinylbektet ledning eller kabel. Maks. 30 m Ledningstype: CV, CVS eller tilsvarende Ledningsstørrelse: Flertrådet ledning 0,25 mm ² til 1,5 mm ² Massiv ledning: ø0,57 mm til ø1,2 mm

Hvordan bruke TBO.1 til 4



Koble dem med en av metodene som er vist over.
<Figur 5.2.2>

Merk:

- Når sylinderenheten får strøm via utendørsenheten, er maksimalt sammenlagt strøm for (a)+(b) 3,0 A.
- Ikke koble flere sirkulasjonspumper direkte til hver utgang (OUT1, OUT2 og OUT3). Slike tilkoblinger må skje via et relé/releer.
- Ikke koble sirkulasjonspumper til både TBO.1 1-2 og CNP1 samtidig.
- Koble en egnet spenningsavleder til OUT10 (TBO.3 1-2) avhengig av lasten på stedet.
- Flertrådet ledning bør brukes med en isolert endehylse (DIN46228-4 standard kompatibel type).
- Bruk det samme som ledning for OUTA1 signallinngang.

5.3 Kabling for temperaturkontroll i 2 soner

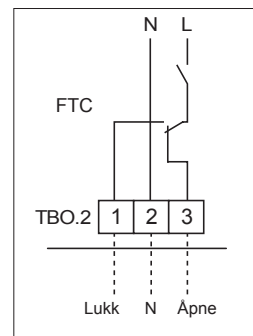
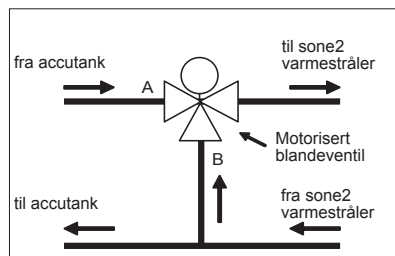
Koble til røropplegg og lokalt anskaffede deler i henhold til kretsdiagrammet vist i det lokale systemet i del 3 av denne håndboken.

<Blandeventil>

Koble signallinjen for å åpne port A (port for tappevannsinntak) til TBO. 2-3 (åpne), koble signallinjen for å åpne port B (port for kaldtvannsinntak) til TBO. 2-1 (lukk), og den nøytrale uttaksledningen til TBO. 2-2 (N).

<Føler>

- Ikke installer følerne på blandetanken.
- Installer strømningstemperaturføleren for sone 2 (THW8) nær accutanken.
- Den maksimale lengden på følerledningene er 30 m.
- Lengden på de valgfrie følerne er 5 m. Hvis det er nødvendig å skjote og forlenge ledningene, må du utføre følgende.
 - Koble sammen ledningene med lodding.
 - Isoler hvert tilkoblingspunkt mot støv og vann.



5 Systemoppsett

5.4 Kun vannkretsoperasjon (under installeringsarbeid)

I de tilfeller hvor tappevann eller oppvarming er nødvendig før tilkobling av utendørsenheten, f.eks. under installeringsarbeid, kan et elektrisk element brukes i innendørsenheten (*1).

*1 Kun modell med elektrisk element.

1. Starte driften

- Kontroller at innendørsenhetens strømforsyning er AV, og slå vippebryterne 4-4 og 4-5 PÅ.
- Slå PÅ innendørsenhetens strømforsyning.

2. Avslutte driften *2

- Slå AV innendørsenhetens strømforsyning.
- Slå vippebryterne 4-4 og 4-5 AV.

*2 Når driften av kun innendørsenheten er avsluttet, må du kontrollere innstillingene etter at brinekretsen er koblet til.

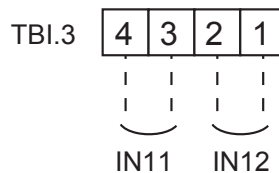
Merk:

Langvarig drift på denne måten kan påvirke brukstiden til det elektriske elementet.

5.5 Smartgrid klart

Kommandoene i tabellen under kan brukes for varmtvann eller oppvarming.

IN11	IN12	Betydning
AV (åpen)	AV (åpen)	Normal drift
PÅ (kortslutning)	AV (åpen)	Slå-på-anbefaling
AV (åpen)	PÅ (kortslutning)	Slå-av-kommando
PÅ (kortslutning)	PÅ (kortslutning)	Slå-på-kommando



5.6 Bruk av SD-minnekort

Sylinderenheten er utstyrt med et grensesnitt for SD-minnekort i FTC.

Ved bruk av et SD-minnekort kan innstillingen av hovedkontrolleren forenkles og driftslogger kan lagres. *1

*1 For å redigere hovedkontrollerens innstillinger eller sjekke driftsdata, er det nødvendig med et Ecodan-serviceverktøy (for bruk med PC).







<Forholdsregler ved håndtering>

- (1) Bruk et SD-minnekort som er i samsvar med SD-standardene. Kontroller at en av logoene som er vist til høyre finnes på SD-minnekortet.
- (2) SD-minnekort som er i samsvar med SD-standardene inkluderer SD, SDHC, mini SD, micro SD og micro SDHC. Minnekortene er tilgjengelig med kapasitet på inntil 32 GB. Velg et som tåler en maksimal temperatur på 55 °C.
- (3) Dersom SD-minnekortet er et mini SD-, mini SDHC-, micro SD- eller micro SDHC-minnekort, må det benyttes en SD-minnekortadapter.
- (4) Åpne skrivebeskyttelsesklaffen før skriving til SD-minnekortet.



- (5) Påse at systemet er slått av før du setter inn eller tar ut et SD-minnekort. Dersom et SD-minnekort blir satt inn eller tatt ut mens systemet er slått på, kan de lagrede dataene bli ødelagte eller SD-minnekortet skadet. *Et SD-minnekort er aktivt i en stund etter at systemet er slått av. Før du setter inn eller tar ut et minnekort, må du vente til alle LED-lampene på FTC-kontrollkortet slukker.
- (6) Lese- og skriveoperasjonene er blitt verifisert for de følgende SD-minnekortene, men ettersom spesifikasjonene til disse SD-minnekortene kan bli endret, kan ikke disse operasjonene alltid garanteres.

- (7) Påse at anvisningene og kravene til SD-minnekortets produsent blir fulgt.
- (8) Formater SD-minnekortet dersom det fastslås at det er uleselig i trinn (6). Dette kan gjøre det leselig. Last ned et formateringsverktøy for SD-kort fra den følgende nettsiden. SD Associations hjemmeside: <https://www.sdcard.org/home/>
- (9) FTC støtter FAT-filsystem, men ikke NTFS-filsystem.
- (10) Mitsubishi Electric er ikke ansvarlig for eventuelle skader, helt eller delvis, herunder unnlattelse av å skrive til et SD-minnekort, samt skade på og tap av lagrede data, eller lignende. Ta sikkerhetskopi av lagrede data etter behov.
- (11) Ikke berør noen elektriske deler på FTC-kontrollkortet når du setter inn eller tar ut et SD-minnekort, da dette kan føre til skade på kontrollkortet.

Logoer
  
  
Kapasitet
2 GB til 32 GB *2
Hastighetsklasser for SD
Alle

- SD-logoen er et varemerke tilhørende SD-3C, LLC.
- Mini SD-logoen er et varemerke tilhørende SD-3C, LLC.
- Micro SD-logoen er et varemerke tilhørende SD-3C, LLC.

*2 Et 2 GB SD-minnekort lagrer driftslogger i inntil 30 dager.

Produsent	Modell	Testet i
Verbatim	#44015	Mars 2012
SanDisk	SDSDB-002G-B35	Okt. 2011
Panasonic	RP-SDP04GE1K	Okt. 2011
Arvato	2GB PS8032 TSB 24nm MLC	Jun. 2012
Arvato	2GB PS8035 TSB A19nm MLC	Jul. 2014
SanDisk	SDSDUN-008G-G46	Okt. 2016
Verbatim	#43961	Okt. 2016
Verbatim	#44018	Okt. 2016
VANTASTEK	VSDHC08	Sept. 2017

Før et nytt SD-minnekort tas i bruk (inkludert kortet som følger med enheten), må det alltid kontrolleres at SD-minnekortet kan leses av og skrives til av FTC-kontrolleren.

<Slik kontrollerer du lese- og skriveoperasjoner>

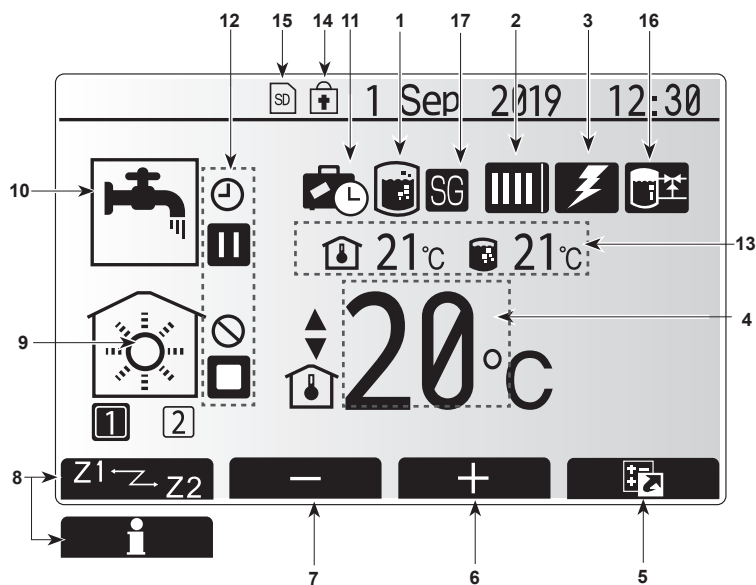
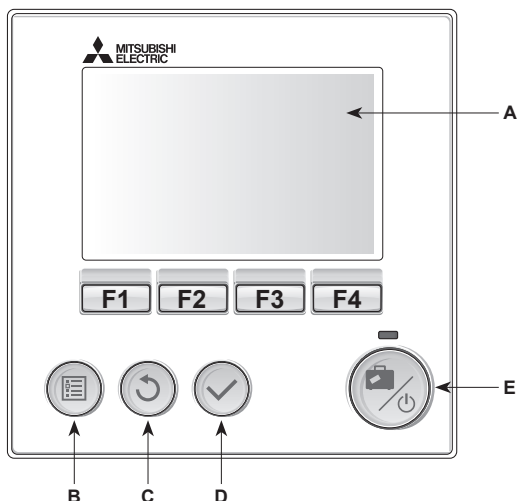
- a) Sjekk at kablingen av strømforsyningen til systemet er korrekt. For flere detaljer, se avsnitt 4.5. (Slå ikke på systemet ennå.)
- b) Sett inn et SD-minnekort.
- c) Slå på systemet.
- d) LED4-lampen lyser dersom lese- og skriveoperasjonene fullføres uten feil. Dersom LED4-lampen fortsetter å blinke eller ikke lyser, betyr det at FTC-kontrolleren ikke kan lese av eller skrive til SD-minnekortet.

5 Systemoppsett

5.7 Hovedkontroller

For å endre innstillingene til ditt varme-/kjølesystem, bruk hovedkontroller på frontpanelet på sylinderenheten eller hydroboksen. Følgende er en veiledning for å vise hovedinnstillingene. Skulle du trenge mer informasjon, vennligst kontakt din installatør eller lokale Mitsubishi Electric-forhandler.

Kjølingsmodus er kun tilgjengelig for ERS-serien. Kjølingsmodus er imidlertid ikke tilgjengelig når innendørsenheten er koblet til PUAZ-FRP.



Hovedskjerm

<Hovedkontrollerens deler>

Bokstav	Navn	Funksjon
A	Skjerm	Skjerm hvor all informasjon vises.
B	Meny	Tilgang til systeminnstillinger for innledende oppsett og endringer.
C	Tilbake	Gå tilbake til forrige meny.
D	Bekreft	Brukes til å velge eller lagre. (Enter-tast)
E	Strøm/Ferie	Dersom systemet er slått av, vil det slås på med ett trykk. Et nytt trykk mens systemet er slått på, vil aktivere "Feriemodus". Å holde knappen nede i 3 sek. vil slå av systemet. (*1)
F1-4	Funksjonstaster	Brukes til å bla i menyen og justere innstillinger. Funksjonen avgjøres av meny-skjerm-bildet som vises på skjerm A.

*1

Når systemet er slått av eller strømforsyningen er frakoblet, vil sylinderenhetens beskyttelsesfunksjoner (f.eks. frostbeskyttelsesfunksj.) IKKE være i drift. Vær oppmerksom på at når disse sikkerhetsfunksjonene ikke er aktive, kan sylinderenheten potensielt bli utsatt for skade.

<Ikoner på hovedskjerm-bildet>

Ikoner	Beskrivelse
1 Legionella-beskyttelse	Når dette ikonet vises, er "Modus for legionellabeskyttelse" aktivert.
2 Varmepumpe	«Varmepumpe» er i drift. Avising. Nødoppvarming. «Stillemodus» er aktivert.
3 Elektrisk element	Når dette ikonet vises, er "elektriske element" (elektrisk element eller EI-kolben) i bruk.
4 Måltemperatur	Måltemperatur for strømning Mål for romtemperatur Varmekurve
5 VALGFRI	Et trykk på funksjonsknappen under dette ikonet vil hente frem skjermen med alternativer.
6 +	Sett opp ønsket temperatur.
7 -	Sett ned ønsket temperatur.
8 S1 Z.S2	Et trykk på funksjonsknappen under dette ikonet vil vekle mellom sone 1 og sone 2. Informasjon: Et trykk på funksjonsknappen under dette ikonet vil hente frem informasjonsskjermen.
9 Romoppvarmingsmodus/romkjølingsmodus	Varmemodus Sone1 eller Sone2 Kjølingsmodus Sone1 eller Sone2
10 Tappevannsmodus	Normal- eller Eco-modus
11 Feriemodus	Når dette ikonet vises, er «Feriemodus» aktivert.
12	TIMER FORBUDT Serverkontroll VENTER Venter (*2) Stopp ARBEIDER
13 Gjeldende temperatur	Gjeldende romtemperatur Gjeldende vanntemperatur i tappevannsbereider
14	Menyknappen er låst, eller veksling av driftsmodus mellom tappevann- og varmeoperasjoner er deaktivert i skjerm-bildet "Alternativer".(*3)
15	SD-minnekort er satt i. Normal drift. SD-minnekort er satt i. Unormal drift.
16 Buffertankkontroll	Når dette ikonet vises, er «Buffertankkontroll» aktiv.
17 Smart grid klart	Når dette ikonet vises, er «Smart grid klart» aktiv.

*2 Denne enheten er i tilstanden "Venter" mens andre innendørsenheter har driftsprioritet.

*3 For å låse eller låse opp menyen trykker du på tastene TILBAKE og BEKREFT samtidig i 3 sekunder.

no

5 Systemoppsett

■ [Oppstartsveiledning]

Når hovedkontrolleren slås på for første gang, vil skjermen automatisk vise menyen "Innledende innstillinger", skjermbildene "Språkinnstillinger" og "Innstilling av dato/tid", i den rekkefølgen. Skriv inn ønsket nummer ved å bruke funksjonstastene og trykk på BEKREFT.

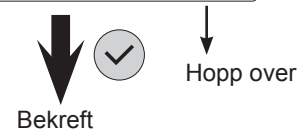
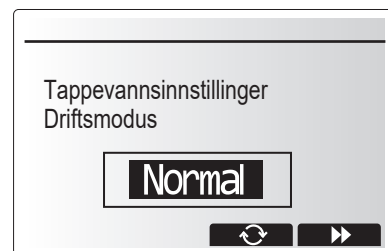
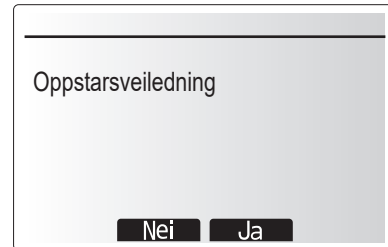
Merk:

<[BEGRENSNING AV SPISSLAST]>

Denne innstillingen begrenser kapasiteten på tilskuddsvarme. Det er IKKE mulig å endre innstillingen etter oppstart.

Hvis du ikke har spesielle krav (for eksempel byggeforskrifter) i ditt land, hopp over denne innstillingen (velg "Nei").

- [Tappevann (VV/Legionella)]
- [Varme]
- [Driftsmodus (PÅ/Forbudt/Program)]
- [Pumpehastighet]
- [Gjennomstr.omr. varmepumpe]
- [Blandeventilkontroll]
- [BEGRENSNING AV SPISSLAST]



■ Meny for hovedinnstillinger

Du får tilgang til menyen for hovedinnstillinger ved å trykke på MENY-knappen. For å redusere risikoen for at ikke-opplærte sluttbrukere endrer innstillingene ved en feiltagelse, er det to tilgangsnivåer til hovedinnstillingene, og menyen til servicdelen er passordbeskyttet.

Brukernivå – kort trykk

Dersom MENY-knappen trykkes kort én gang, vil hovedinnstillingene vises, men uten redigeringsfunksjonen. Dette lar brukeren se gjeldende innstillinger, men IKKE endre parameterne.

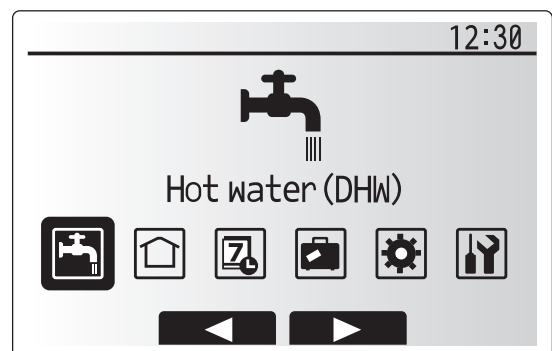
Installatørnivå – langt trykk

Dersom MENY-knappen trykkes ned i 3 sekunder, vil hovedinnstillingene vises med alle funksjoner tilgjengelig.

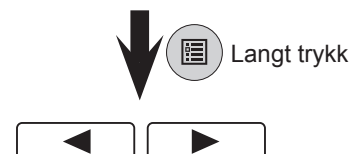
Fargen på ◀▶-knappene er motsatt, som i figuren til høyre. <Figur 5.7.1>

De følgende elementene kan vises og/eller redigeres (avhengig av tilgangsnivået).

- [Husholdningstappegvann (VV)]
- [Oppvarming/kjøling]
- [Ukeprogram]
- [Feriemodus]
- [Innledende innstillinger]
- [Service (passordbeskyttet)]



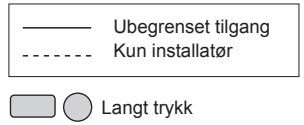
Hovedmeny



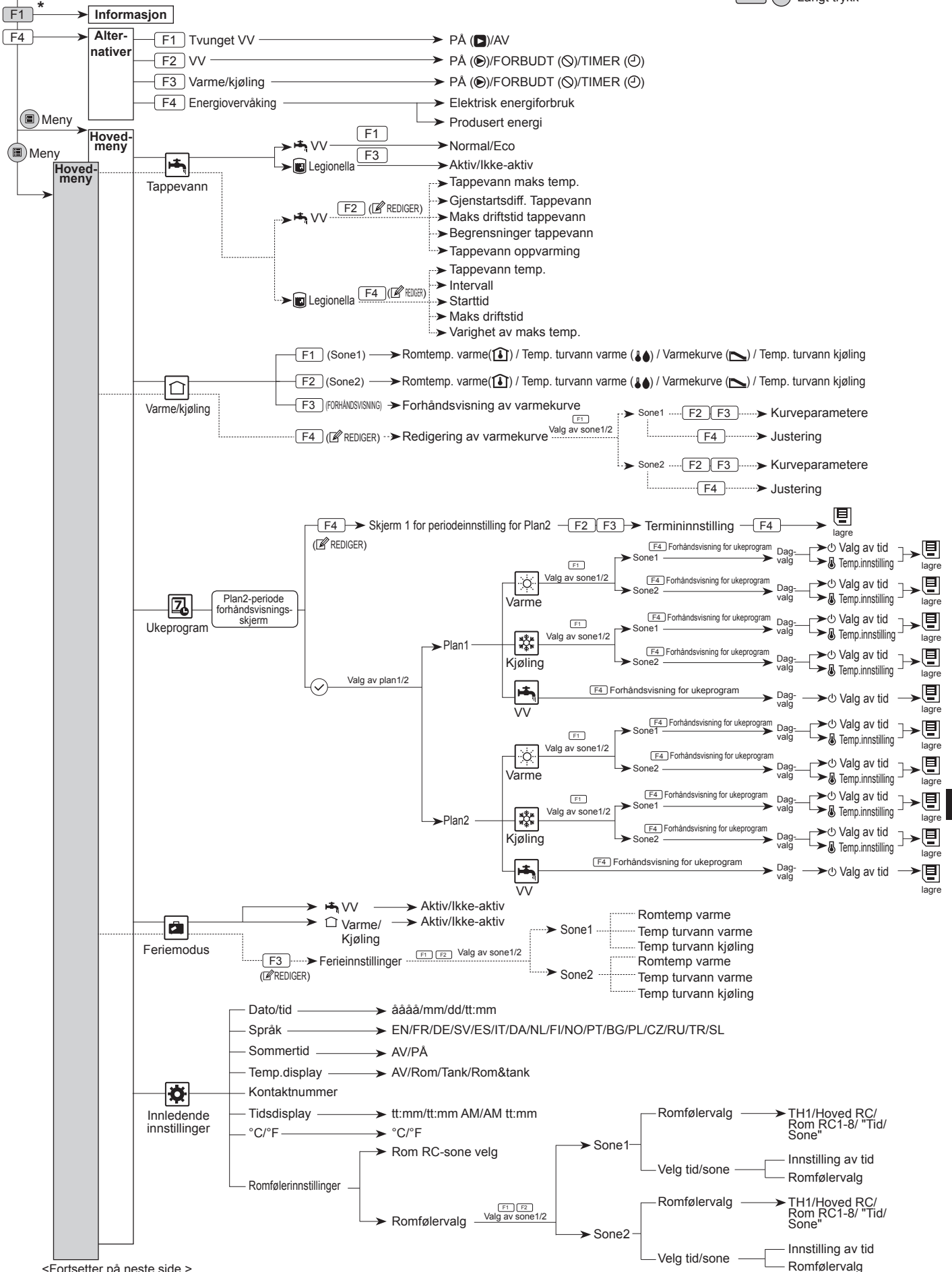
<Figur 5.7.1>

5 Systemoppsett

<Menyoversikt for hovedkontroller>



Hovedskjerm * Kort trykk for 1-sonesystem.

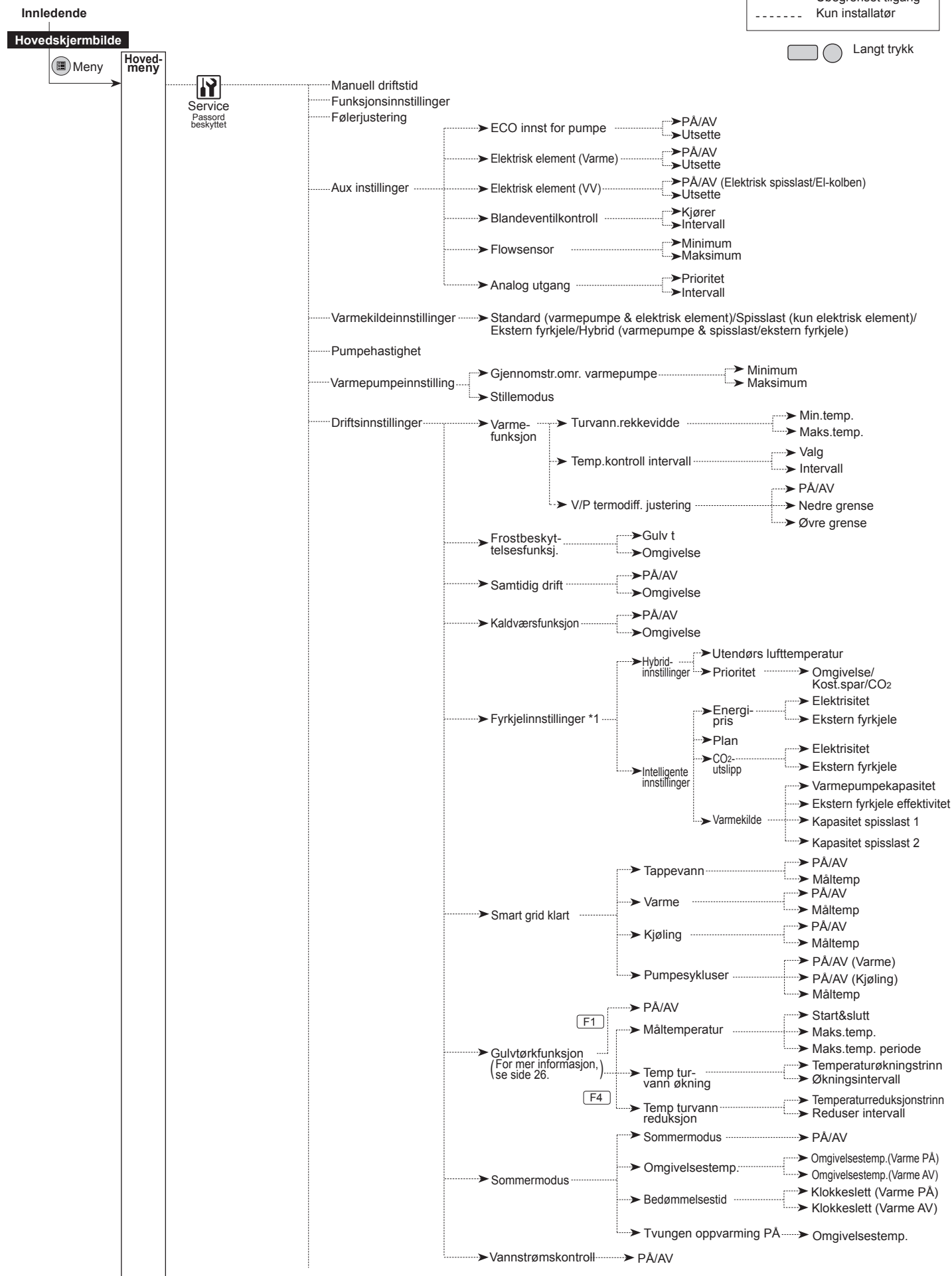


<Fortsetter på neste side.>

5 Systemoppsett

<Fortsettelse fra forrige side.>

<Menyoversikt for hovedkontroller>



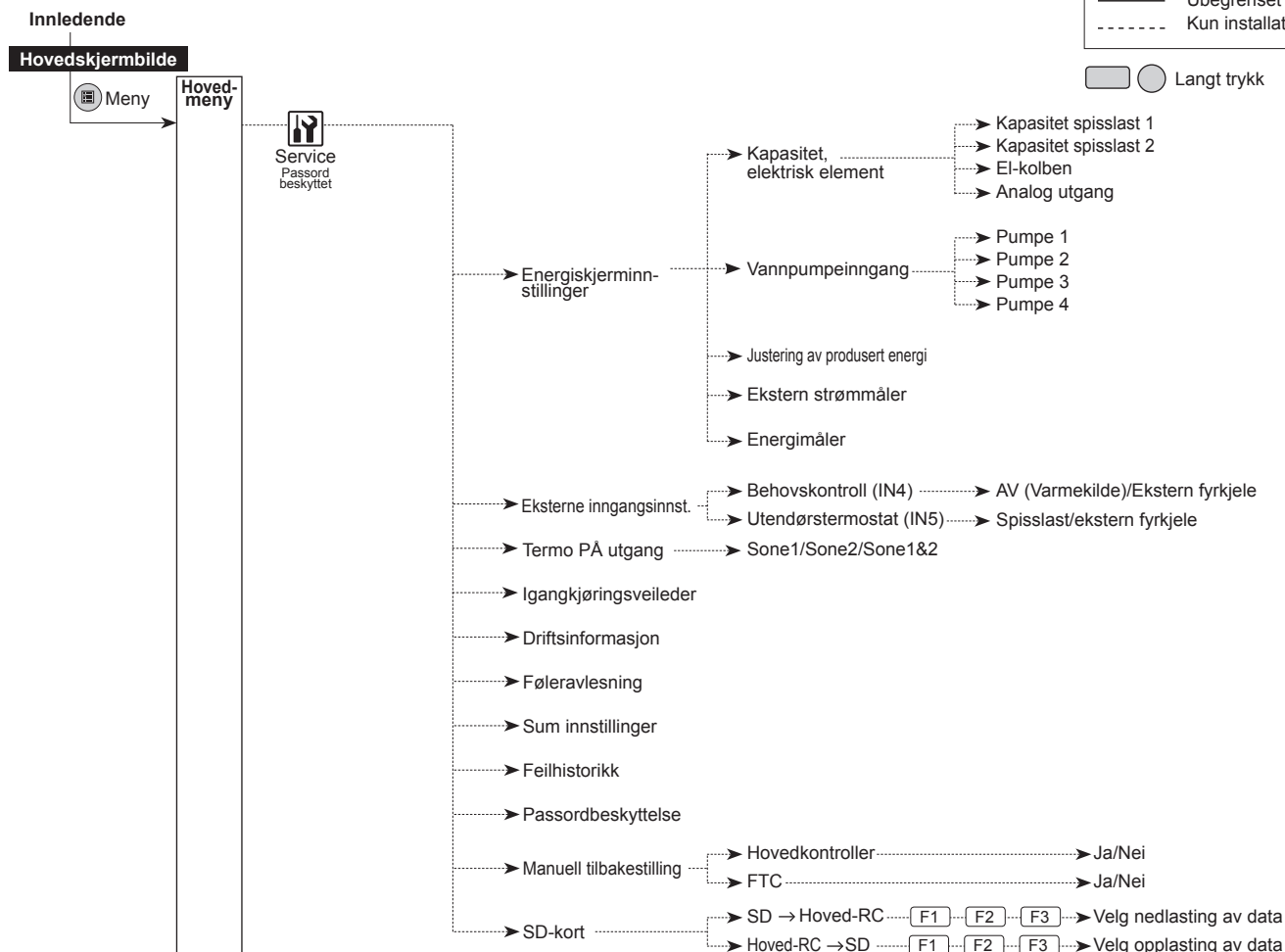
*1 For flere detaljer, se installeringshåndboken for PAC-TH012HT(L)-E.

<Fortsetter på neste side.>

5 Systemoppsett

<Fortsettelse fra forrige side.>

<Menyoversikt for hovedkontroller>

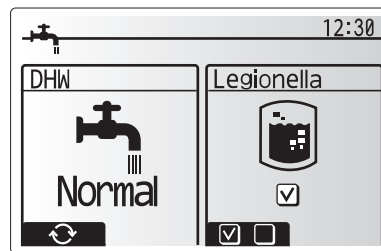


Husholdningstappevann (VV)/Legionellabeskyttelse

Oppvarming av tappevannsberederen styres fra menyene for husholdningstappevann og legionellabeskyttelse.

<Innstillinger for tappevannsmodus>

1. Uthev ikonet for tappevann og trykk på BEKREFT.
2. Bruk F1-knappen til å veksle mellom varmepmodusene Normal og Eco.
3. For å redigere modusen trykker du inn MENY-knappen i 3 sekunder, og deretter velger du "tappevann".
4. Trykk på F2 for å vise menyen TAPPEVANNSINNSTILLINGER.
5. Bruk tastene F2 og F3 til å rulle gjennom menyen mens du velger hver komponent etter tur ved å trykke på BEKREFT. Se tabellen under for en beskrivelse av hver innstilling.
6. Skriv inn ønsket nummer ved å bruke funksjonstastene og trykk på BEKREFT.



Menyundertittel	Funksjon	Område	Enhet	Standardverdi
Tappevann maks. temp.	Ønsket temperatur på lagret tappevann	40 - 60	°C	50
Gjenstartsdiff. Tappevann	Forskjellen mellom maksimal temperatur på tappevann og temperaturen hvor tappevannsmodus omstarter.	5 - 30 *	°C	10
Maks driftstid tappevann	Maksimal tid tillatt for oppvarming av lagret vann i tappevannsmodus	30 - 120	min	60
Begrensninger tappevann	Tidsperioden etter tappevannsmodus når romoppvarming har prioritet over tappevannsmodus, noe som midlertidig hindrer ytterligere oppvarming av lagret vann. (Kun når "Maks. driftstid tappevann" er over.)	30 - 120	min	30

* Når maks. temperaturen på tappevann er satt over 55°C, må temperaturen der varmtvannsmodus startes på nytt være under 50°C for å beskytte enheten.

<Eco-modus>

Tappevannsmodus kan kjøre i enten "Normal"- eller "Eco"-modus. Normal-modus vil varme opp vannet i tappevannsberederen hurtigere ved å benytte hele kraften til varmpumpen. Eco-modus bruker litt lengre tid på å varme vannet i tappevannsberederen, men energibruken reduseres. Dette er fordi driften av varmpumpen begrenses ved bruk av signaler fra FTC basert på den målte temperaturen i tappevannsberederen.

Merk: Den faktiske energien som spares i Eco-modus vil variere avhengig av utendørs lufttemperatur.

<[Tappevannoppvarming]>

Velg mengde tappevann. Hvis du trenger mye varmt vann, velg LARGE (stor), men øker driftskostnadene.

Gå tilbake til menyen "Tappevann/Legionellabeskyttelse"

no

5 Systemoppsett

Innstillinger for "Modus for legionellabeskyttelse" (LB-modus)

1. Bruk F3-knappen til å velge JA/NEI for om legionellamodus skal være aktiv eller ikke.
2. For å redigere legionellafunksjonen trykker du inn MENY-knappen i 3 sekunder, velger "tappevann" og trykker på F4-tasten.
3. Bruk tastene F1 og F2 til å rulle gjennom menyen mens du velger hver undertittel etter tur ved å trykke på BEKREFT. Se tabellen under for en beskrivelse av hver innstilling.
4. Skriv inn ønsket nummer ved å bruke funksjonstastene og trykk på BEKREFT.

I Legionellabeskyttelsesmodus økes temperaturen til det lagrede vannet til over 60°C for å hemme vekst av legionellabakterie. Det anbefales på det sterkeste å gjøre dette regelmessig. Sjekk lokale forskrifter vedrørende anbefalt intervall for denne oppvarmingen.

Merknad: Når det oppstår feil på hydroboksen, er det ikke sikkert LB-modus fungerer normalt.

Menyundertittel	Funksjon	Område	Enhet	Standardverdi
Tappevann temp.	Ønsket temperatur på lagret tappevann	60–70	°C	65
Intervall	Tid mellom hver LB-modus-oppvarming av tappevannsberederen	1–30	dag	15
Start tid	Tidspunkt for start av LB-modus	0:00–23:00	–	03:00
Maks. driftstid	Maksimal tid tillatt for LB-modus-oppvarming av tappevannsberederen	1–5	time	3
Varighet av maks. temp.	Tidsperioden etter ønsket vanntemp. for LB-modus har blitt nådd	1–120	min	30

Merk at LB-modus mottar hjelp fra elektriske elementer som supplement til varmpumpens energitilførsel. Å varme opp vann over lange perioder er ineffektivt og øker driftskostnadene. Installatøren bør vurdere nødvendigheten av legionellabeskyttelse nøye, men ikke sløse med energi ved å varme opp det lagrede vannet over veldig lange perioder. Sluttbrukeren må forstå viktigheten ved denne funksjonen.

ETTERKOM ALLTID LOKALE OG NASJONALE RETNINGSLINJER I LANDET DITT MED HENSYN TIL LEGIONELLABESKYTTELSE.

[Innledende innstillinger]

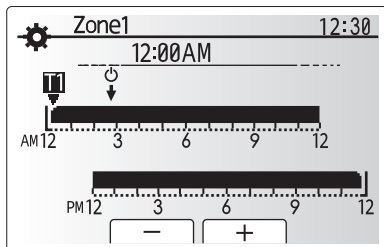
Fra menyen "Innledende innstillinger" kan installatøren stille inn det følgende.

- [Dato/tid] *Vær sikker på at du angir lokal tid.
- [Språk]
- [Sommertid]
- [Temp.display]
- [Kontaktnummer]
- [Tidsdisplay]
- [°C/°F]
- [Romfølerinnstillinger]

Følg prosedyren som er beskrevet i "Generell drift" for oppsett.

<[Romfølerinnstillinger]>

For romfølerinnstillinger er det viktig å velge riktig romføler avhengig av varme-modusen systemet skal operere i.



Skjerm bilde for innstilling av tid/sone-plan

Menyundertittel	Beskrivelse																				
Rom RC-soner velg	Når temperaturkontroll i 2 soner er aktiv og trådløse fjernkontroller er tilgjengelige, velger du et sonenummer for hver fjernkontroll i skjermbildet "Rom RC-soner velg".																				
Romfølervalg	Fra skjermbildet "Romfølervalg" velger du romfølerne som skal brukes til overvåking av romtemperaturen i sone 1 og sone 2 hver for seg. <table border="1" data-bbox="965 981 1481 1285"> <thead> <tr> <th rowspan="2">Kontrollalternativ (Nettsidehåndboken)</th> <th colspan="2">Korresponderende romføler i innledende innstillinger</th> </tr> <tr> <th>Sone 1</th> <th>Sone 2</th> </tr> </thead> <tbody> <tr> <td>A</td> <td>Rom RC 1-8 (én hver for sone 1 og sone 2)</td> <td>*1</td> </tr> <tr> <td>B</td> <td>TH1</td> <td>*1</td> </tr> <tr> <td>C</td> <td>Hovedkontroller</td> <td>*1</td> </tr> <tr> <td>D</td> <td>*1</td> <td>*1</td> </tr> <tr> <td>Når ulike romfølere brukes i henhold til tidsplanen</td> <td>Tid/Sone*2</td> <td>*1</td> </tr> </tbody> </table>	Kontrollalternativ (Nettsidehåndboken)	Korresponderende romføler i innledende innstillinger		Sone 1	Sone 2	A	Rom RC 1-8 (én hver for sone 1 og sone 2)	*1	B	TH1	*1	C	Hovedkontroller	*1	D	*1	*1	Når ulike romfølere brukes i henhold til tidsplanen	Tid/Sone*2	*1
Kontrollalternativ (Nettsidehåndboken)	Korresponderende romføler i innledende innstillinger																				
	Sone 1	Sone 2																			
A	Rom RC 1-8 (én hver for sone 1 og sone 2)	*1																			
B	TH1	*1																			
C	Hovedkontroller	*1																			
D	*1	*1																			
Når ulike romfølere brukes i henhold til tidsplanen	Tid/Sone*2	*1																			

- *1. Ikke spesifisert (hvis en lokalt skaffet romtermostat brukes) Rom RC 1-8 (én hver for sone1 og sone2) (hvis en trådløs fjernkontroll brukes som romtermostat)
- *2. Fra skjermbildet "Romfølervalg" velger du "Tid/soner" for å gjøre det mulig å bruke forskjellige romfølere i henhold til tidsplanen angitt i menyen "Velg tid/soner". Romfølerne kan byttes om inntil 4 ganger på 24 timer.

[Servicemeny]

Servicemenyen inneholder funksjoner som installatøren eller reparatøren skal bruke. Det er IKKE meningen at eieren skal endre innstillinger i denne menyen. Serviceinnstillingene er passordbeskyttet for å hindre uautorisert adgang.

Det fabrikkinnstilte passordet er "0000".

Følg prosedyren som er beskrevet i "Generell drift" for oppsett.

Det er mange funksjoner som ikke kan stilles inn mens innendørsenheten er i drift. Installatøren må slå av enheten før det forsøkes å stille inn disse funksjonene. Dersom installatøren forsøker å endre innstillingene mens enheten er i drift, vil hovedkontrolleren vise en påminnelse som ber installatøren stanse driften før han/hun fortsetter. Enheten stanses ved å velge "Ja".

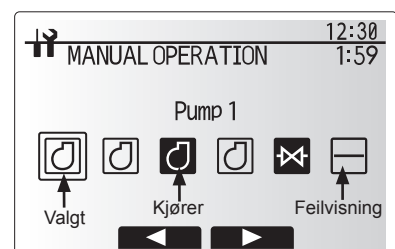
<[Manuell driftstid]>

Under fylling av systemet kan hovedsirkulasjonspumpen og treveisventilen manuelt overstyres ved bruk av modusen for manuell driftstid.

Et lite timer-ikon vises på skjermen når manuell drift er valgt. Når denne funksjonen er valgt, er den i manuell drift i maksimalt 2 timer. Dette er for å hindre at FTC blir permanent overstyrt ved en feiltagelse.

► Eksempel

Å trykke på F3-knappen slår manuell drift av treveisventilen PÅ. Når fyllingen av tappevannstanken er fullført, må installatøren gå inn i menyen igjen og trykke på F3 for å deaktivere manuell drift av delen. Alternativt blir modusen med manuell driftstid inaktiv etter 2 timer, og FTC gjenopptar kontrollen over sylinderenheten.



Menyskjerm bildet "Manuell driftstid"

5 Systemoppsett

Manuell driftstid og varmekildeinnstilling kan ikke velges dersom systemet kjører. Det vil vises et skjermbilde som ber installatøren om å slå av systemet før disse modulene kan aktiveres.
Systemet stanser automatisk 2 timer etter siste operasjon.

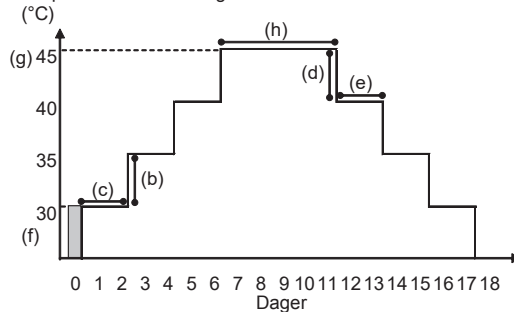
<Gulvtørkfunksjon>

Gulvtørkfunksjonen endrer automatisk måltemperaturen for tappevann trinnvis for gradvis å tørke betong når akkurat dette gulvvarmesystemet er installert.

Når operasjonen er fullført, vil systemet avslutte alle operasjoner unntatt "Frostbeskyttelsesfunksj."

For "Gulvtørkfunksjon" er måltemperaturen for strømning i sone 1 den samme som for sone 2.

Måltemperatur for strømning



- Denne funksjonen er ikke tilgjengelig når en PUHZ-FRP-utendørsenhet er koblet til.
- Koble fra kablingen til eksterne innganger av romtermostat, behovskontroll og utendørstermostat, ellers er det ikke sikkert måltemperaturen for strømning kan opprettholdes.

Funksjoner	Symbol	Beskrivelse	Valg/Område	Enhet	Standard
Gulvtørkfunksjon	a	Still funksjonen til PÅ og slå på systemet med hovedkontrolleren, så vil gulvtørkfunksjonen starte.	På/Av	—	Av
Temp turvann økning	Flyttemperaturøkningstrinn	Angir økningstrinnet til måltemperatur for strømning.	+1 - +10	°C	+5
	Økningsintervall	Angir perioden den samme måltemperaturen for strømning opprettholdes.	1 - 7	dag	2
Temp turvann reduksjon	Flyttemperaturreduksjonstrinn	Angir reduksjonstrinnet til måltemperatur for strømning.	-1 - -10	°C	-5
	Reduser intervall	Angir perioden den samme måltemperaturen for strømning opprettholdes.	1 - 7	dag	2
Måltemperatur	Start&slutt	Angir måltemperatur for strømning ved operasjonens start og slutt.	20 - 60	°C	30
	Maks. måltemp.	Angir maksimal måltemperatur for strømning.	20 - 60	°C	45
	Maks.temp. periode	Angir perioden den maksimale måltemperaturen for strømning opprettholdes.	1 - 20	dag	5

<Passordbeskyttelse>

Passordbeskyttelse er tilgjengelig for å hindre uautorisert tilgang til servicemenyen av ikke-opplærte personer.

Tilbakestilling av passord

Dersom du glemmer passordet du la inn, eller dersom du må utføre service på en enhet noen andre har installert, kan du tilbakestille passordet til fabrikkinnstillingen 0000.

1. I menyen "Hovedinnstillinger" ruller du nedover funksjonene til "Servicemeny" utheves.
2. Trykk på BEKREFT.
3. Du vil bli bedt om å skrive inn et passord.
4. Hold nede knappene F3 og F4 samtidig i 3 sekunder.
5. Du vil bli spurt om du ønsker å fortsette med tilbakestillingen av passordet til standardinnstillingen.
6. Trykk på F3 for å tilbakestille.
7. Passordet er nå tilbakestilt 0000.

<Manuell tilbakestilling>

Dersom du noen gang skulle ønske å gjenopprette fabrikkinnstillingene, bruker du funksjonen "Manuell tilbakestilling". Merk at dette vil tilbakestille ALLE funksjonene til fabrikkinnstillingene.



Skjermbildet "Tast inn passord"



Skjermbilde for verifisering av passord

6 Igangkjøring

■ Ting å gjøre før igangkjøring - drikkevann- og tappevannskrets

Innledende prosedyre for fylling:

Påse at alle røranslutninger og rørmatur er godt festet.

Åpne tappevannskranen eller -utløpet som er lengst unna.

Åpne hovedvannforsyningen langsomt/gradvis for å begynne å fylle enheten og tappevannsrørene.

La kranen som er lengst unna, renne fritt og slipp restluft ut av installasjonen.

Steng kranen/utløpet for å få et fullt ladet system.

Merk: Når en EI-kolben er montert, må den IKKE aktiveres før tappevannsberederen er full av vann. EI-kolben må heller IKKE aktiveres hvis steriliseringskjemikalier er igjen i tappevannsberederen, da dette vil føre til at EI-kolben svikter.

Innledende prosedyre for skylling:

Aktiver systemet for å varme opp innholdet i sylinderenheten til ca. 30 - 40°C.

Skyll/tøm ut vannet for å fjerne eventuelle rester/urenheter etter installeringsarbeidet. Bruk sylinderenhetens tappekran til å trygt tømme ut det oppvarmede vannet via en egnet slange.

Når tømningen er ferdig, stenger du tappekranen, fyller opp systemet igjen og fortsetter med igangkjøringen.

7 Service og vedlikehold

■ Feilkoder

Kode	Feil	Tiltak
L3	Beskyttelse mot overoppheting av sirkulasjonsvann	Strømningshastigheten kan være redusert. Se etter/sjekk: <ul style="list-style-type: none"> • Vannlekkasje • Filtertilstopping • Sirkulasjonspumpens funksjon (feilkode kan vises under fylling av hovedkretsen – fullfør fyllingen og tilbakestill feilkoden).
L4	Beskyttelse mot overoppheting av vannet i tappevannsberederen	Kontroller EI-kolben og dens kontaktor.
L5	Feil med temperaturføler for innendørsenhet (THW1, THW2, THW5A, THW5B, THW6, THW7, THW8, THW9)	Kontroller motstanden over føleren.
L6	Beskyttelse mot at sirkulasjonsvannet fryser	Se tiltak for L3.
L8	Feil i driften av varme	Kontroller og fest eventuelle løse følere på nytt.
L9	Lav strømningshastighet i hovedkrets oppdaget av Flowsensor eller Flow switch (Flow switch 1, 2, 3)	Se tiltak for L3. Dersom Flow sensor eller strømningsbryteren ikke fungerer, må de byttes ut. Forsiktig: Vær forsiktig, pumpeventilene kan være varme.
LA	Feil med trykksensorføler	Kontroller trykkfølerkabelen for skade eller løse koblinger.
LB	Høytrykksbeskyttelse	<ul style="list-style-type: none"> • Strømningshastigheten i varmekretsen kan være redusert. Kontroller vannkretsen. • Platevarmeveksler kan være tilstoppet. Kontroller platevarmeveksleren. • Feil med utendørsenhet. Se i servicehåndboken for utendørsenhet.
LC	Beskyttelse mot overoppheting av sirkulasjonsvann i ekstern fyrkjele	Kontroller om innstillingstemperaturen for "Ekstern fyrkjele" overskrider begrensningen. (Se håndboken for følerne "PAC-TH012HT-E") Strømningshastigheten i varmekretsen fra ekstern fyrkjele kan være redusert. Se etter/sjekk: <ul style="list-style-type: none"> • vannlekkasje • filtertilstopping • sirkulasjonspumpens funksjon.
LD	Feil med temperaturføler for ekstern fyrkjele (THWB1)	Kontroller motstanden over føleren.
LE	Feil i driften av ekstern fyrkjele	Se tiltak for L8. Kontroller ekstern fyrkjele tilstand.
LF	Feil med Flowsensor	Kontroller flowsensorkabelen for skade eller løse koblinger.
LH	Beskyttelse mot at sirkulasjonsvannet i ekstern fyrkjele fryser	Strømningshastigheten i varmekretsen fra ekstern fyrkjele kan være redusert. Se etter/sjekk: <ul style="list-style-type: none"> • vannlekkasje • filtertilstopping • sirkulasjonspumpens funksjon.
LJ	Tappevannsfeil (type av platevarmeveksler)	<ul style="list-style-type: none"> • Sjekk om temperaturføleren til tappevannstanken er frakoblet (THW5B). • Strømningshastigheten i sanitærkretsen kan være redusert. • Sjekk at sirkulasjonspumpen fungerer. (primær/sanitær)
LL	Innstillingsfeil for vippebrytere på FTC-kontrollkort	For drift av ekstern fyrkjele, kontroller at vippebryter SW1-1 er stilt til PÅ (med koker) og vippebryter SW2-6 er satt til PÅ (med Accutank). For temperaturkontroll i 2 soner, kontroller at vippebryter SW2-7 er satt til PÅ (2 soner) og vippebryter SW2-6 er satt til PÅ (med Accutank).
LP	Utenfor strømningshastighetsområde for utendørs varmepumpeenhet	Kontroller installasjonstabell 4.3.1 Kontroller innstillinger for hovedkontrollen (Service-meny / gjennomstr.omr. varmepumpe) Se tiltak for L3.
P1	Feil med temperaturføler (romtemp.) (TH1)	Kontroller motstanden over føleren.
P2	Feil med temperaturføler (temp. på kuldemedievæske) (TH2)	Kontroller motstanden over føleren.
P6	Frostmiddelbeskyttelse av platevarmeveksler	Se tiltak for L3. Kontroller at mengden kuldemedium er riktig.
J0	Kommunikasjonsfeil mellom FTC og trådløs mottaker.	Kontroller forbindelseskabelen for skade eller løse koblinger.
J1 - J8	Kommunikasjonsfeil mellom trådløs mottaker og trådløs fjernkontroll.	Kontroller at batteriet til den trådløse fjernkontrollen ikke er utladet. Kontroller paringen mellom trådløs mottaker og trådløs fjernkontroll. Test den trådløse kommunikasjonen. (Se håndboken til det trådløse systemet)
E0 - E5	Kommunikasjonsfeil mellom hovedkontroller og FTC.	Kontroller forbindelseskabelen for skade eller løse koblinger.
E6 - EF	Kommunikasjonsfeil mellom FTC og utendørsenhet	Kontroller at utendørsenheten ikke er slått av. Kontroller forbindelseskabelen for skade eller løse koblinger. Se i servicehåndboken for utendørsenhet.
E9	Utendørsenhet mottar ingen signaler fra innendørsenheten.	Kontroller at begge enhetene er slått på. Kontroller forbindelseskabelen for skade eller løse koblinger. Se i servicehåndboken for utendørsenhet.
EE	Kombinasjonsfeil mellom FTC og utendørsenhet	Kontroller kombinasjon mellom FTC og utendørsenhet.
U*, F*	Feil med utendørsenhet	Se i servicehåndboken for utendørsenhet.
A*	Kommunikasjonsfeil i M-NET	Se i servicehåndboken for utendørsenhet.

Merk: Slå av systemet for å kansellere feilkoder (trykk på F4(RESET) på hovedkontrolleren).

7 Service og vedlikehold

■ Årlig vedlikehold

Det er viktig at det utføres service på sylinderenheten minst en gang i året av en kvalifisert person. Eventuelle nødvendige reservedeler bør kjøpes fra Mitsubishi Electric. OMGÅ ALDRI sikkerhetsanordninger eller bruk enheten uten at disse virker som de skal. Se i servicehåndboken for flere detaljer.

Merk

- I løpet av de første par månedene etter installasjon, må du fjerne og rengjøre sylinderenhetens filter, samt filter som måtte være montert utenom sylinderenheten. Dette er spesielt viktig ved installasjon på et eldre/eksisterende røranlegg.
- Trykkavlastningsventilen og temperatur- og trykksikkerhetsventilen (nr. 8, 20 og 21 på figur 3.1) bør kontrolleres årlig ved å dreie bryteren manuelt slik at mediet slippes ut, og dermed rengjør forseglingssetet.

I tillegg til årlig service er det nødvendig å bytte ut eller inspisere enkelte deler etter en viss periode av systemdrift. Se tabellene nedenfor for detaljerte anvisninger. Utskiftning og inspeksjon av deler må alltid utføres av en person med relevant opplæring og kompetanse.

Deler som krever regelmessig utskiftning

Deler	Skift ut hvert	Mulige feil
Trykksikkerhetsventil (TSV) Manometer Inntakskontrollgruppe (IKG) *	6. år	Vannlekkasje

* VALGFRIE DELER for Storbritannia

Deler som krever regelmessig inspeksjon

Deler	Kontroller hver(t)	Mulige feil
Trykkavlastningsventil (3 bar) Temperatur- og trykkavlastningsventil	1 år (vri bryteren manuelt)	Trykkavlastningsventilen ville bli låst og ekspansjonskaret ville bryte
El-kolben	2. år	Jordlekkasje som forårsaker at kretsbyteren aktiveres (spisslast er alltid AV)
Sirkulasjonspumpe (Hovedkrets)	20 000. time (3. år)	Feil med sirkulasjonspumpe

Deler som IKKE må brukes på nytt under service

* O-ring

* Pakning

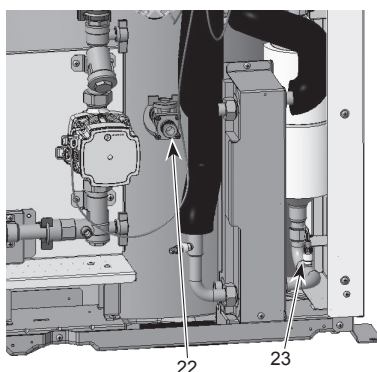
Merk

- Skift alltid pumpens pakning ut med en ny når det utføres vedlikehold (for hver 20 000. times bruk eller hvert 3. år).

<Tømming av sylinderenheten og sanitærkrets (lokalt)>

ADVARSEL: VANNET SOM TØMMES UT KAN VÆRE VELDIG VARMT

1. Før du forsøker å tømme sylinderenheten, må den isoleres fra strømforsyningen for å hindre at el-kolben og elektrisk spisslast brenner ut.
2. Isoler kaldtvannsforsyningen til tappevannstanken.
3. Åpne en tappevannskran for å begynne å tømme uten å skape et vakuum.
4. Fest en slange til tappevannstankens tappekran (nr. 22 og 23 i figur 7.1). Slangen må kunne motstå varme, da vannet som tappes ut, kan være veldig varmt. For å gjøre tømmingen lettere må slangen tømme til et sted som er lavere enn tappevannstankens bunn. Begynn tømming ved å åpne tappekranen.
5. Når tappevannstanken er tømt, stenger du tappekranen og tappevannskranen.
6. For primærkrets, fest en slange til vannkretsens tappekraner (nr. 6 i figur 3.1). Slangen må kunne motstå varme, da vannet som tappes ut, kan være veldig varmt. For å gjøre tømmingen lettere må slangen tømme til et sted som er lavere enn tappekranen. Åpne pumpeventilene og filterventilene.
7. Vann forblir i filteret selv etter at sylinderenheten er tømt.
Tøm filteret ved å fjerne filterdekslet.



<Figur 7.1>

7 Service og vedlikehold

Teknikerskjemaer

Dersom en innstilling endres fra standarden, skriv inn den nye innstillingen i kolonnen "Lokal innstilling". Dette gjør det lettere å tilbake stille i fremtiden dersom bruken av systemet endres eller krets kortet må byttes ut.

Igangkjøring/Journal over innstillinger gjort lokalt

Hovedkontrollerskjerm		Parametere	Standardinnstilling	Lokal innstilling	Merknader
Hovedinnstillinger		Sone1 romtemp. varme	10°C – 30°C	20°C	
		Sone2 romtemp. varme *12	10°C – 30°C	20°C	
		Sone1 temp. turvann varme	20°C – 60°C	45°C	
		Sone2 temp. turvann varme *1	20°C – 60°C	35°C	
		Sone1 temp. turvann kjøling *13	5°C – 25°C	15°C	
		Sone2 temp. turvann kjøling *13	5°C – 25°C	20°C	
		Sone1 varmekurve	-9°C – +9°C	0°C	
		Sone2 varmekurve *1	-9°C – 9°C	0°C	
		Feriemodus	Aktiv/Ikke-aktiv/Angi tid	—	
Alternativer		Tvunget tappevannsoperasjon	Av/På	—	
		Tappevann	Av/På/Timer	På	
		Oppvarming/kjøling *13	Av/På/Timer	På	
		Energiovervåking	Elektrisk energiforbruk/Produsert energi	—	
Innstilling	Tappevann	Driftsmodus	Normal/Eco *15	Normal	
		Tappevann maks. temp.	40°C – 60°C *2	50°C	
		Temperaturfall, tappevann	5°C – 30°C	10°C	
		Maks. driftstid tappevann	30 – 120 min	60 min	
		Begrensninger tappevann	30 – 120 min	30 min	
		Tappevann oppvarming	Stor/Standard	Standard	
		Legionellbeskyttelse	Aktiv	Ja	
		Tappevann temp.	60°C – 70°C *2	65°C	
		Intervall	1 – 30 dager	15 dager	
		Starttid	00:00 – 23:00	03:00	
		Maks. driftstid	1 – 5 timer	3 timer	
		Varighet av maks. temp.	1 – 120 min	30 min	
		Oppvarming/kjøling *13	Sone1 driftsmodus	Romtemp. varme/ Temp. turvann varme/ Varmekurve/temp. turvann kjøling	Romtemp.
			Sone2 driftsmodus *1	Romtemp. varme/ Temp. turvann varme/ Varmekurve/temp. turvann kjøling	Varmekurve
Varmekurve	Angitt punkt for høy turtemp.	Sone1 utendørs lufttemperatur	-30°C – +33°C *3	-15°C	
		Sone1 turtemp.	20°C – 60°C	50°C	
		Sone2 utendørs lufttemperatur *1	-30°C – +33°C *3	-15°C	
		Sone2 turtemp. *1	20°C – 60°C	40°C	
		Angitt punkt for lav turtemp.	Sone1 utendørs lufttemperatur	-28°C – +35°C *4	35°C
			Sone1 turtemp.	20°C – 60°C	25°C
			Sone2 utendørs lufttemperatur *1	-28°C – +35°C *4	35°C
			Sone2 turtemp. *1	20°C – 60°C	25°C
		Juster	Sone1 utendørs lufttemperatur	-29°C – +34°C *5	—
			Sone1 turtemp.	20°C – 60°C	—
			Sone2 utendørs lufttemperatur *1	-29°C – +34°C *5	—
			Sone2 turtemp. *1	20°C – 60°C	—
Ferie		Tappevann	Aktiv/Ikke-aktiv	Ikke-aktiv	
		Oppvarming/kjøling *13	Aktiv/Ikke-aktiv	Aktiv	
		Sone1 romtemp. varme	10°C – 30°C	15°C	
		Sone2 romtemp. varme *12	10°C – 30°C	15°C	
		Sone1 temp. turvann varme	20°C – 60°C	35°C	
		Sone2 temp. turvann varme *1	20°C – 60°C	25°C	
		Sone1 temp. turvann kjøling *13	5°C – 25°C	25°C	
		Sone2 temp. turvann kjøling *13	5°C – 25°C	25°C	
Innledende innstillinger		Språk	EN/FR/TY/SV/SP/IT/DA/NL/FI/NO/PT/BG/PL/CZ/RO/TR/SL	EN	
		°C/°F	°C/°F	°C	
		Sommertid	Av/På	Av	
		Temp.display	Rom/tappevannstank/rom og tappevannstank /Av	Av	
		Tidsdisplay	tt:mm/tt:mm AM/AM tt:mm	tt:mm	
		Romfølerinnstillinger for Sone1	TH1/Hoved-RC/Rom RC1-8/ "Tid/sone"	TH1	
		Romfølerinnstillinger for Sone2 *1	TH1/Hoved-RC/Rom RC1-8/ "Tid/sone"	TH1	
		Rom RC-sone velg *1	Sone1/Sone2	Sone1	
Servicemeny	Følerjustering	THW1	-10°C – +10°C	0°C	
		THW2	-10°C – +10°C	0°C	
THW5A		-10°C – +10°C	0°C		
THW5B		-10°C – +10°C	0°C		
THW6		-10°C – +10°C	0°C		
THW7		-10°C – +10°C	0°C		
THW8		-10°C – +10°C	0°C		
THW9		-10°C – +10°C	0°C		
THW10		-10°C – +10°C	0°C		
THWB1		-10°C – +10°C	0°C		
		Aux-innstillinger	ECO innst. for pumpe.	Av/På *6 Utsette (3 – 60 min)	På 10 min
			Elektrisk element (Varme)	Romoppvarming: På (brukes)/Av (brukes ikke) Timer for elektrisk element (5 – 180 min)	På 30 min
			Elektrisk element (Tappevann)	Elektrisk spisslast Tappevann: På (brukes)/Av (brukes ikke)	På
				El-kolbe Tappevann: På (brukes)/Av (brukes ikke)	På
				Timer for elektrisk element (15 – 30 min)	15 min
			Blandeventilkontroll	Kjører (10 – 240 s) Intervall (1 – 30 min)	120 s 2 min
			Flowsensor *17	Minimum (0 – 100 L/min) Maksimum (0 – 100 L/min)	5 L/min 100 L/min
			Analog utgang	Intervall (1 – 30 min) Prioritet (Normal/Høy)	5 min Normal

(Fortsetter på neste side.)

7 Service og vedlikehold

Teknikerskjemaer

Igangkjøring/Journal over innstillinger gjort lokalt (fortsett fra forrige side)

Hovedkontrollerskjerm				Parametere	Standardinnstilling	Lokal innstilling	Merknader			
Innstilling	Servicemeny	Pumpehastighet	Tappevann	Pumpehastighet (1 – 5)	5					
			Oppvarming/kjøling	Pumpehastighet (1 – 5)	5					
		Varmekildeinnstillinger		Standard/Spisslast/Ekstern fykjele/Hybrid *7		Standard				
		Varmepumpeinnstilling	Gjennomstr.omr. varmepumpe	Minimum (0 – 100 L/min)		5 L/min				
				Maksimum (0 – 100 L/min)		100 L/min				
		Stillemodus	Dag (ma.–sø.)		—					
			Klokkeslett		0:00 – 23:45					
		Stillevivå (Normal/Trinn1/Trinn2)		Normal						
		Driftsinnstillinger	Varmefunksjon *8	Turvann.min-maks *10	Minimum.temp.(20 – 45°C)		30°C			
					Maksimum.temp.(35 – 60°C)		50°C			
				Temp.kontrollintervall *14	Modus (Normal/Kraftig)		Normal			
					Intervall (10 – 60 min)		10 min			
				V/P termodiff. justering		Av/På *6	På			
				Nedre grense(-9 – -1°C)		-5°C				
		Øvre grense(+3°C – +5°C)		5°C						
		Frostbeskyttelsesfunksj. *11		Utendørs lufttemperatur (3 – 20°C) / **		5°C				
		Samtidig drift (Tappevann/Varme)		Av/På *6	Av					
		Utendørs lufttemperatur (-30 – +10°C) *3		-15°C						
		Kaldværsfunksjon		Av/På *6	Av					
		Utendørs lufttemperatur (-30 – -10°C) *3		-15°C						
		Ekstern fykjelefunksjon		Hybridinnstillinger	Utendørs lufttemperatur (-30 – +10°C) *3		-15°C			
					Prioritetmodus (Omgivelse/Kost.spar/CO ₂) *16		Omgivelse			
					Økning i utendørs lufttemperatur (+1 – +5°C)		+3°C			
				Intelligente innstillinger	Energi- pris *9	Elektrisitet (0,001 – 999 */kWh)		0,5 */kWh		
						Fyrkjele (0,001 – 999 */kWh)		0,5 */kWh		
					CO ₂ - utslipp	Ekstern fyrkjele (0,001 – 999 kg -CO ₂ /kWh)		0,5 kg -CO ₂ /kWh		
		Fyrkjele (0,001 – 999 kg -CO ₂ /kWh)		0,5 kg -CO ₂ /kWh						
		Varmekilde	Varmepumpekapasitet (1 – 40 kW)		11,2 kW					
			Fyrkjeleeffektivitet (25 – 150 %)		80%					
			Kapasitet tilskuddsvarme 1 (0 – 30 kW)		2 kW					
			Kapasitet tilskuddsvarme 2 (0 – 30 kW)		4 kW					
		Smart grid klart	Tappevann	Av/På		Av				
				Måltemp(+1 – +20°C) / -- (Ikke-aktiv)		--				
			Varme	Av/På		Av				
				Måltemperatur	Slå-på-anbefaling (20 – 60°C)		50°C			
					Slå-på-kommando (20 – 60°C)		55°C			
			Kjøling	Av/På		Av				
				Måltemperatur	Slå-på-anbefaling (5 – 25°C)		15°C			
					Slå-på-kommando (5 – 25°C)		10°C			
			Pumpesykluser	Varme (Av/På)		På				
				Kjøling (Av/På)		På				
		Intervall (10 – 120 min)		10 min						
		Gulvtørkfunksjon		Av/På *6		Av				
				Måltemperatur	Start&Slutt (20 – 60°C)		30°C			
					Maks.temp. (20 – 60°C)		45°C			
					Maks.temp. periode (1 – 20 dager)		5 dager			
				Turvann temp. (økning)	Temperaturøkningstrinn (+1 – +10°C)		+5°C			
					Økningsintervall (1 – 7 dager)		2 dager			
		Turvann temp. (reduksjon)	Temperaturreduksjonstrinn (-1 – -10 °C)		-5°C					
			Reduser intervall (1 – 7 dager)		2 dager					
Sommermodus		Av/På		Av						
		Utendørs lufttemperatur	Varme PÅ (4 – 19°C)		10°C					
			Varme AV (5 – 20°C)		15°C					
		Bedømmelsestid	Varme PÅ (1 – 48 timer)		6 timer					
			Varme AV (1 – 48 timer)		6 timer					
Tvungen oppvarming PÅ (-30 – 10°C)		5°C								
Vannstrømskontroll		Av/På		Av						

(Fortsetter på neste side.)

7 Service og vedlikehold

■ Teknikerskjemaer

Igangkjøring/Journal over innstillinger gjort lokalt (fortsett fra forrige side)

Hovedkontrollerskjerm			Parametere		Standardinnstilling	Lokal innstilling	Merknader
Servicemeny	Ener-giskjerm-innstillinger	Kapasitet, elektrisk element	Kapasitet spisslast 1	0 – 30 kW	2 kW		
			Kapasitet spisslast 2	0 – 30 kW	4 kW		
			Kapasitet, EI-kolbe	0 – 30 kW	0 kW		
			Analog utgang	0 – 30 kW	0 kW		
		Justering av produsert energi		-50 – +50%	0%		
		Vannpumpeinn-gang	Pumpe 1	0 – 200 W eller ***(fabrikkmontert Pumpe)	***		
			Pumpe 2	0 – 200 W	0 W		
			Pumpe 3	0 – 200 W	0 W		
			Pumpe 4	0 – 200 W	72 W		
		Ekstern strømmåler		0,1/1/10/100/1000 puls/kWh	1 puls/kWh		
	Energimåler		0,1/1/10/100/1000 puls/kWh	1 puls/kWh			
	Eksterne inn-gangsinnst	Behovskontroll (IN4)		Varmekilde AV/Drift av ekstern fyrkjele	Drift av ekstern fyrkjele		
		Utendørstermostat (IN5)		Drift av spisslast/Drift av ekstern fyrkjele	Drift av ekstern fyrkjele		
	Termo PÅ utgang		Sone1/Sone2/Sone1&2	Sone1&2			

*1 Innstillingene for sone2 kan kun skiftes når 2-soners temperaturkontroll er aktivert (når vippebryterne SW2-6 og SW2-7 er PÅ).

*2 Avhengig av utendørs lufttemperatur vil den angitte temperaturen kanskje ikke nås for modellen uten elektrisk spisslast og EI-kolbe.

*3 Den nedre grensen er -15°C avhengig av hvilken utendørsenhet som er koblet til.

*4 Den nedre grensen er -13°C avhengig av hvilken utendørsenhet som er koblet til.

*5 Den nedre grensen er -14°C avhengig av hvilken utendørsenhet som er koblet til.

*6 PÅ: Funksjonen er aktiv; AV: Funksjonen er inaktiv.

*7 Når vippebryter SW1-1 er satt til AV "UTEN ekstern fyrkjele", eller SW2-6 er satt til AV "UTEN Accutank", kan verken "Ekstern fyrkjele" eller "Hybrid" velges.

*8 Bare gyldig ved drift i Temp.kontrollintervall-modus.

9 "" i "*/kWh" representerer valutaenhet (f.eks. € eller £ eller lignende)

*10 Bare gyldig ved drift i romtemp. varme.

*11 Dersom asterisk (**) velges, deaktiveres frostbeskyttelsesfunksjonen. (dvs. at det risiko for at hovedvannet fryser)

*12 Innstillingene som gjelder for sone2, kan bare endres når temperaturkontroll i 2 soner eller AV/PÅ-kontroll for 2-soneventil er aktiv.

*13 Innstillinger for kjølingsmodus er kun tilgjengelig for ER-modellen.

*14 Når vippebrytere SW5-2 er stilt til AV, er funksjonen aktiv.

*15 Når sylinderenheten er koblet sammen med en PUMY-P-utendørsenhet, er modusen låst til "Normal".

*16 Når sylinderenheten er koblet sammen med en PUMY-P-utendørsenhet, er modusen låst til "Omgivende".

*17 Ikke endre innstillingen, da den er stilt inn i henhold til spesifikasjonen til flowsensor som er festet til sylinderenheten.

1. Turvallisuusohjeet	2
2. Johdanto	3
3. Tekniset tiedot	4
4. Asennus	10
4.1 Sijainti	10
4.2 Veden laatu ja järjestelmän esiasetukset	11
4.3 Vesiputken asennus	11
4.4 Sähköliitäntä	14
5. Järjestelmän asetukset	16
5.1 Dip-kytkimien toiminnot	16
5.2 Tulojen/lähtöjen liittäminen	17
5.3 Johdotus 2 vyöhykkeen lämpötilasäätöä varten	18
5.4 Vain sisäyksikön toiminta (asennustyön aikana)	19
5.5 Älyverkko valmis	19
5.6 SD-muistikortin käyttäminen	19
5.7 Pääsäädin	20
6. Käyttöönotto	26
7. Huolto ja kunnossapito	27

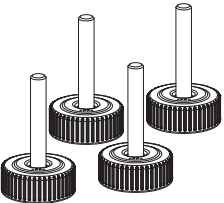
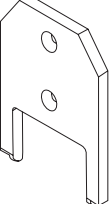
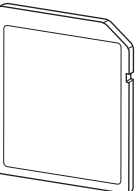



<http://www.mitsubishielectric.com/ldg/ibim/>

Jos tarvitset lisätietoja, joita tästä käyttöohjeesta ei löydy, lataa käyttöopas edellä mainitulta verkkosivustolta. Valitse ensin mallin nimi ja sitten kieli.

Verkkosivustolta ladatun käyttöohjeen sisältö

- Energianäyttö
- Komponenttiosat (yksityiskohtaisesti)
- Vesipiirin kaavio (170L)
- Huonetermostaatti
- Järjestelmän täyttäminen
- Yksinkertainen 2-vyöhykejärjestelmä
- Erillinen virtalähde
- Älykäs sähköverkko valmius
- Kaukosäädinvaihtoehdot
- Huoltovalikko (erikoisasetus)
- Täydentävät tiedot

Tarvikkeet (mukana)			
Säätöjalat	Käyttöveden sähkölämmittimen napatyökalu	SD-muistikortti	Lämminvesiputken kuparipinnoite
	Vain malli EHPT20X-MHEDW 		
4	1	1	2

Lyhenteet ja sanasto

Nro	Lyhenne/sana	Kuvaus
1	Lämpökäyrätila	Lämmitys, johon sisältyy ulkolämpötilan lämpökäyrä
2	COP	Hyötysuhde (COP) eli lämpöpumpun tehokkuus
3	Varaajayksikkö	Sisällä oleva tuulettamaton LV-säiliö ja komponenttiputkiosat
4	LV-tila	Lämpimän käyttöveden lämmitystila suihkuille, lavuaareille, ym
5	Virtauslämpötila	Lämpötila, jossa vesi syötetään ensiöpiiriin
6	Jäätymisen estotoiminto	Lämmityksen ohjausrutiini, joka estää vesiputkien jäätymisen
7	FTC	Virtauslämpötilan säädin, piirikortti, joka on vastuussa järjestelmän ohjauksesta
8	Lämmitystila	Lämmitys pattereilla tai lattialämmityksellä
9	Legionella	Putkista, suihkuista ja vesisäiliöistä mahdollisesti löytyvä bakteeri, joka voi aiheuttaa legionelloosia
10	LE-tila	Legionellan estotoiminto – vesisäiliöillä varustettujen järjestelmien toiminto, joka estää legionellabakteerin kasvun
11	Pakattu malli	Levylämmönvaihdin (kylmäaine-vesi) ulkolämpöpumpputyksikössä
12	PRV	Varoventtiili
13	Paluulämpötila	Lämpötila, jossa vesi syötetään ensiöpiiristä
14	Split-malli	Levylämmönvaihdin (kylmäaine-vesi) sisäyksikössä
15	TRV	Termostaattipatteriventtiili – patteripaneelin tulossa tai lähdössä oleva venttiili, joka ohjaa lämmöntuottoa
16	Jäähdytystila	Jäähdytys puhaltimella tai lattijäähdytyksellä

1 Turvallisuusohjeet

Lue seuraavat turvallisuusohjeet huolellisesti.





VAROITUS:
Ohjeet, joita täytyy noudattaa vammojen tai kuoleman välttämiseksi.

HUOMIO:
Ohjeet, joita täytyy noudattaa yksikön vahingoittumisen välttämiseksi.

Tämä asennusopas sekä käyttöopas täytyy antaa tuotteen mukana asennuksen jälkeen myöhempää tarvetta varten. Mitsubishi Electric ei vastaa paikallisesti tai erikseen hankittujen osien vioista.

- Muista suorittaa määräaikaishuolto.
- Muista noudattaa paikallisia määräyksiä.
- Muista noudattaa tässä oppaassa annettuja ohjeita.

TÄSSÄ OPPAASSA KÄYTETYT MERKINNÄT

	VAROITUS (tulipalovaara)	Tämä symboli on käytössä vain R32-kylmäaineelle. Kylmäaineen tyyppi on kirjoitettu ulkoyksikön nimilevyyn. Mikäli kylmäaineen tyyppi on R32, yksikössä käytetään syttyvää kylmäainetta. Jos kylmäainetta pääsee vuotamaan ja se pääsee kosketuksiin tulen tai lämmitysosien kanssa, se synnyttää haitallista kaasua ja aiheuttaa tulipaloriskin.
	Luo KÄYTTÖOPAS huolellisesti ennen laitteen käyttöä.	
	Huoltohenkilöstön on luettava KÄYTTÖOPAS ja ASENUSOPAS huolellisesti ennen laitteen käyttöä.	
	Lisätietoja on saatavissa KÄYTTÖOPPAASTA, ASENUSOPPAASTA ja muista ohjeista.	

VAROITUS

Mekaaninen

- Käyttäjä ei saa asentaa, purkaa, siirtää, muuttaa tai korjata varaajayksikköä ja ulkoyksikköä. Pyydä valtuutettua asentajaa tai mekaanikkoa tekemään se. Jos yksikkö asennetaan väärin tai sitä muutetaan asennuksen jälkeen, seurauksena voi olla vesivuoto, sähköisku tai tulipalo.
- Ulkoyksikkö täytyy kiinnittää tukevasti kovalle, tasaiselle pinnalle, joka kantaa sen painon.
- Varaajayksikkö täytyy sijoittaa kovalle, tasaiselle pinnalle, joka kantaa sen painon täytettynä, liiallisen melun tai värinän välttämiseksi.
- Älä sijoita huonekaluja tai sähkölaitteita ulkoyksikön tai varaajayksikön alapuolelle.
- Varaajayksikön hätälaitteiden poistoputket tulee asentaa paikallisten lakien mukaisesti.
- Käytä vain Mitsubishi Electric -yhtiön valtuuttamia tarvikkeita ja vaihto-osia ja pyydä pätevää mekaanikkoa asentamaan osat.

Sähköinen

- Valtuutetun asentajan on tehtävä kaikki sähkötyöt paikallisen määräysten ja tämän oppaan ohjeiden mukaisesti.
- Yksiköiden virta täytyy syöttää tarkoitukseen varatusta virtalähteestä. Lisäksi on käytettävä oikeaa jännitettä ja virtakytkimiä.
- Johdotusten täytyy noudattaa paikallisia määräyksiä. Liitännät täytyy tehdä turvallisesti ja niin, että liittimiin ei kohdistu jännitystä.
- Maadoita yksikkö oikein.

Yleiset

- Pidä lapset ja lemmikit loitolla sekä varaajayksiköstä että ulkoyksiköstä.
- Älä käytä lämpöpumpun tuottamaa kuumaa vettä suoraan juomiseen tai ruoanlaittoon. Käyttäjä saattaa sairastua.
- Älä seiso yksiköiden päällä.
- Älä kosketa kytkimiä, jos kätesi ovat märät.
- Pätevän henkilön tulee tarkistaa sekä varaajayksikön että ulkoyksikön kunto vuosittain.
- Älä aseta nesteitä sisältäviä esineitä varaajayksikön päälle. Jos ne vuotavat tai läikkyvät varaajayksikön päälle, seurauksena voi olla yksikön vaurioituminen ja/tai tulipalo.
- Älä aseta painavia esineitä varaajayksikön päälle.
- Kun varaajayksikköä asennetaan, siirretään tai huolletaan, käytä kylmäainelinjojen täyttöön vain lämpöpumpulle tarkoitettua kylmäainetta. Älä sekoita siihen muita kylmäaineita äläkä jätä linjoihin ilmaa. Jos kylmäaineeseen sekoittuu ilmaa, se voi aiheuttaa kylmäaineputkistossa epätavallisen korkean paineen, josta voi seurata räjähdys ja muita vaaroja.
- Muun kuin määritetyn kylmäaineen käyttäminen aiheuttaa mekaanisen vian, järjestelmän toimintahäiriön tai yksikön rikkoutumisen. Pahimmassa tapauksessa se voi johtaa tuotteen turvallisuuden vakavaan heikentymiseen.
- Jotta lämmitystilassa liian kuuma vesi ei vaurioittaisi lämpösäteilijöitä, aseta tavoitevirtauslämpötila vähintään 2°C kaikkien lämpösäteilijöiden korkeimman sallitun lämpötilan alapuolelle. Aseta vyöhykkeellä 2 tavoitevirtauslämpötila vähintään 5°C kaikkien vyöhykkeen 2 piirin lämpösäteilijöiden korkeimman sallitun virtauslämpötilan alapuolelle.
- Älä asenna yksikköä paikkaan, jossa syttyviä kaasuja voi vuotaa, syntyä, virrata tai kerääntyä. Jos yksikön ympärille kerääntyy syttyviä kaasuja, seurauksena voi olla tulipalo tai räjähdys.
- Käytä vain valmistajan suosittelemia aineita sulatusprosessin nopeutumiseen tai puhdistukseen.
- Laitetta täytyy säilyttää huoneessa, jossa ei ole jatkuvassa käytössä olevia syttymislähteitä (esimerkiksi avotulta, kaasulaitetta tai sähkölämmittintä).
- Älä lävistä tai polta laitetta.
- Huomaa, että kylmäaineet saattavat olla hajuttomia.
- Putkisto pitää suojata fyysiseltä vauriolta.
- Putkiston asennus on pidettävä mahdollisimman lyhyenä.
- Kansallista kaasusetusta on noudatettava.
- Pidä vaadittavat tuuletusaukot vapaina tukoksista.
- Älä käytä matalalämpöistä juotosseosta kylmäaineputkien juottamiseen.

1 Turvallisuusohjeet

⚠ HUOMIO

Käytä ensiöpiirissä puhdasta vettä, joka täyttää paikalliset laatuvaatimukset.

Ulkoyksikkö täytyy asentaa alueelle, jossa on riittävä ilmavirta, ulkoyksikön asennusoppaan mukaisesti.

Varaajayksikkö täytyy sijoittaa sisälle lämmönhäviön minimoimiseksi.

Ensiöpiirin vesiputket ulko- ja sisäyksikön välillä on pidettävä mahdollisimman lyhyinä lämmönhäviön minimoimiseksi.

Varmista, että ulkoyksikön tiivistynyt vesi ohjataan putkella pois jalustasta vesilammikoiden välttämiseksi.

Poista ilma mahdollisimman hyvin ensiö- ja LV-piireistä.

Kylmäainevuoto voi aiheuttaa tukehtumisen. Huolehdi ilmanvaihdosta standardin EN378-1 mukaisesti.

Putkien ympärille täytyy asentaa eristeet. Suora kosketus paljaaseen putkeen voi aiheuttaa palo- tai paleltumavamman.

Paristoja ei koskaan saa mistään syystä laittaa suuhun, ettei niitä nielaista vahingossa.

Pariston nieleminen voi aiheuttaa tukehtumisen ja/tai myrkytyksen.

Älä siirrä varaajayksikköä, jos LV-säiliössä tai kierukassa on vettä. Yksikkö saattaa vaurioitua.

Jos varaajayksikön virta katkaistaan (tai järjestelmä sammutetaan) pitkäksi ajaksi, vesi täytyy tyhjentää.

Jos yksikköä ei ole käytetty pitkään aikaan, LV-säiliö täytyy huuhdella juomavedellä ennen käytön jatkamista.

Paineiskua vastaan on ryhdyttävä ennaltaehkäiseviin varotoimiin esimerkiksi asentamalla paineiskusuoja ensiövesipiiriin valmistajan ohjeiden mukaisesti.

Katso kylmäaineen käsittelystä ulkoyksikön asennusoppaasta.

2 Johdanto

Tämän asennusoppaan tarkoituksena on opastaa päteviä henkilöitä asentamaan ja ottamaan käyttöön varaajayksikkö turvallisesti ja tehokkaasti. Tämä opas on tarkoitettu ammattimaisille putki- ja/tai kylmäaineasentajille, jotka ovat

läpäisseen vaadittavan Mitsubishi Electric -tuotekoulutuksen ja jotka ovat päteviä asentamaan tuulettamattoman, omaan maahansa tarkoitetun varaajayksikön.

3 Tekniset tiedot

Tuotteen tekniset tiedot

Mallinimi	EHST17D-VM2D	ERST17D-VM2D	EHST20D-MED	EHST20D-VM2D	EHST20D-VM6D	EHST20D-VM9D	EHST20D-VM9D	EHST20D-VM9D	EHST20D-VM9D	ERST20D-VM2D	EHST30D-MED	EHST30D-VM6D	EHST30D-VM9D	EHST30D-TM9ED	ERST30D-VM2ED
Lämpimän käyttöveden nimellinen vesitilavuus	170 L														
Yksikön kokonaismitat (korkeus x leveys x syvyys)	1400 x 595 x 680 mm														
Paino (tyhjänä)	93 kg	104 kg	98 kg	106 kg	105 kg	101 kg	106 kg	101 kg	106 kg	104 kg	113 kg	115 kg	116 kg	114 kg	114 kg
Paino (täynnä)	269 kg	310 kg	304 kg	314 kg	311 kg	309 kg	314 kg	309 kg	314 kg	310 kg	420 kg	422 kg	425 kg	421 kg	421 kg
Yksikön lämmityspiirin vesitilavuus *1	3-4 L		3,5 L			5,8 L				3,5 L	3,9 L	3,9 L	6,2 L	3,9 L	3,9 L
Tuuletetun painu- ta-astian (ensilämmitys)	12 L			12 L					12 L						
Täyttöaine	0,1 MPa			0,1 MPa					0,1 MPa						
Ohjausmeristori															
Varoventiili															
Virtausanturi															
Sähkölämmittimen termostaatti	90°C			90°C					90°C					90°C	
Suojalaite	121°C			121°C					121°C					121°C	
Lämmitys- vesisäiliö															
Lämpötila / Varoventiili															
Vesi		Ensiöpiiri													
Kylmäaine (R32/ R4-10A)		Lämmitysvesipiiri													
Neste															
Kaasu															
Huonelämpötila															
Virtauslämpötila															
Huonelämpötila															
Virtauslämpötila															
Jäähdytys															
Ulkolämpötila															
Ulkolämpötila															
Lämmitys															
Jäähdytys															
Suurin sallittu lämpimän veden lämpötila															
Ilmoitettu kuormitusprofiili															
Keskimääräinen ilmasto															
Ohjaustaulu (sisältää 4 pumppua)															
Sähkölämmittimen termostaatti															
Virra															
Kalkaisin															
Kapasiteetti															
Virra															
Kalkaisin															
Kapasiteetti															
Virra															
Kalkaisin															
Kapasiteetti															
Virra															
Kalkaisin															
Äänitehotaso															

<Taulukko 3.1>

*1 Puhkaan veden piiriin, ensilämmitysvesipiiriin (3-ievventiilistä yhtymäkohtaan lämmityspiirin kanssa), paisunta-astian putkiston ja paisunta-astian tilavuudet eivät sisälly tähän arvoon.
*2 Ympäristö ei saa jäätyä.
*3 Käyttöolosuhteiden mukaan, kun ulkolämpötila on matala. Jos käytät järjestelmää jäähdytyksessä ulkolämpötilan ollessa matala (10°C tai sen alle), jätetty vesi voi vaurioittaa levylämmönvaihdinta.
*4 Mallissa, jossa ei ole sähkölämmittintä eikä uppoakkuunmitta, korkein sallittu lämpimän veden lämpötila on [Ulkoyksikön suurin lähtövesi -3°C]. Käyttöolosuhteiden mukaan ulkoyksikön tuotejulkaisusta.
*5 Älä asenna uppoakkuunmitta ilman lämpökatkaisinta. Käytä vain Mitsubishi Electric -yhtiön varaosia suoraan vaihtoon.

3 Tekniset tiedot

Tuotteen tekniset tiedot

Mallinimi	EHP20X-MED	EHP20X-VM6D	EHP20X-YM9D	EHP20X-YM9ED	EHP20X-TM9D	EHP20X-MHEDW	ERPT20X-MD	ERPT20X-VM2D	ERPT20X-VM6D	EHP20X-MED	EHP20X-VM9ED	ERPT30X-VM2ED
Lämpimän käyttöveden nimellinen vesitilavuus	200 L											
Yksikön kokonaismitat (korkeus x leveys x syvyys)	1600 x 595 x 680 mm											
Paino (tyhjästä)	93 kg	101 kg	102 kg	96 kg	102 kg	90 kg	99 kg	100 kg	101 kg	106 kg	109 kg	107 kg
Paino (täynnä)	300 kg	307 kg	310 kg	305 kg	310 kg	296 kg	305 kg	305 kg	307 kg	413 kg	419 kg	413 kg
Yksikön lämmityspiirin vesitilavuus *1	3,7 L	12 L	6,0 L	—	12 L	3,7 L	3,7 L	3,7 L	3,7 L	4,4 L	6,7 L	4,4 L
Tuuletamaton paisunta-asia (ensilämmitys)	—	0,1 MPa	—	—	0,1 MPa	—	—	—	—	—	—	—
Täyttöaine	—	—	—	—	—	—	—	—	—	—	—	—
Ohjaustermostori	—	—	—	—	—	—	—	—	—	—	—	—
Varoventiili	—	—	—	—	—	—	—	—	—	—	—	—
Virtausanturi	—	—	—	—	—	—	—	—	—	—	—	—
Sähkölämmittimen käsipalautteen termos-	—	90°C	90°C	—	—	—	—	—	90°C	—	—	90°C
Sähkölämmittimen lämpökatkaisin	—	121°C	121°C	—	—	—	—	—	121°C	—	—	121°C
Ohjaustermostori	—	—	—	—	—	75°C	—	—	—	—	—	—
Uppokuumennettimen käsipalautteen termos-	—	—	—	—	—	—	—	—	—	—	—	—
Lämpöpöytä / Varoventiili	—	1,0 MPa (10 baaria)	—	—	—	90°C / 0,7 MPa (7 baaria)	—	—	1,0 MPa (10 baaria)	—	—	—
Vesi	—	—	—	—	—	—	—	—	—	—	—	—
Lämmitysvesipiiri	—	—	—	—	—	—	—	—	—	—	—	—
Kylmäaine (R32/ R410A)	—	—	—	—	—	—	—	—	—	—	—	—
Kaasu	—	—	—	—	—	—	—	—	—	—	—	—
Huonelämpöpöytä	—	—	—	—	—	—	—	—	—	—	—	—
Virtauslämpöpöytä	—	—	—	—	—	—	—	—	—	—	—	—
Huonelämpöpöytä	—	—	—	—	—	—	—	—	—	—	—	—
Virtauslämpöpöytä	—	—	—	—	—	—	—	—	—	—	—	—
Jäähdytys	—	—	—	—	—	—	—	—	—	—	—	—
Ulkolämpöpöytä	—	—	—	—	—	—	—	—	—	—	—	—
Taattu toiminta-alue *2	—	—	—	—	—	—	—	—	—	—	—	—
Ulkolämpöpöytä	—	—	—	—	—	—	—	—	—	—	—	—
Suurin sallittu lämpimän veden lämpötila	—	—	—	—	—	—	—	—	—	—	—	—
Ilmoitettu kuormitusprofiili	—	—	—	—	—	—	—	—	—	—	—	—
Vedenlämmittimen energian tehokkuusluokka	—	—	—	—	—	—	—	—	—	—	—	—
Keskimääräinen virtalähtö (vaihe, jännite, taajuus)	—	—	—	—	—	—	—	—	—	—	—	—
Ohjaustaulu (sisältää 4 pumppua)	—	—	—	—	—	—	—	—	—	—	—	—
Sähkölämmittimen kapasiteetti	—	—	—	—	—	—	—	—	—	—	—	—
Virta	—	—	—	—	—	—	—	—	—	—	—	—
Virtalähtö (vaihe, jännite, taajuus)	—	—	—	—	—	—	—	—	—	—	—	—
Uppokuumennin *5	—	—	—	—	—	—	—	—	—	—	—	—
Virta	—	—	—	—	—	—	—	—	—	—	—	—
Katkaisin	—	—	—	—	—	—	—	—	—	—	—	—
Äänitehotaso	—	—	—	—	—	—	—	—	—	—	—	—

<Taulukko 3.3>

*1 Puhtaan veden piiriin, ensilämmitysvesipiiriin (3-iventtiliästä yhtymäkohtaan lämmitysvesipiiriin kanssa), paisunta-asian putkiston ja paisunta-asian tilavuudet eivät sisälly tähän arvoon.

*2 Ympäristö ei saa jäätä.

*3 Katsotaan ulkoilma-alueen lämpötila (min. 10°C). Jäähdytys ei ole käytettävissä, kun ulkoilma-alueen lämpötila on matala (10°C tai sen alle). Jäätynyt vesi voi vaurioittaa levylämmönvaihdinta.

*4 Mallissa, jossa ei ole sähkölämmittintä eikä uppokuumenninta, korkein sallittu lämpimän veden lämpötila on [Ulkoilma-alueen lämpötila + 3°C]. Katsotaan ulkoilma-alueen lämpötilaa ulkoilma-alueen lämpötila-alueella.

*5 Älä asenna uppokuumenninta ilman lämpökatkaisinta. Käytä vain Mitsubishi Electric -yhtiön varaosia suoraan vaihtoon.

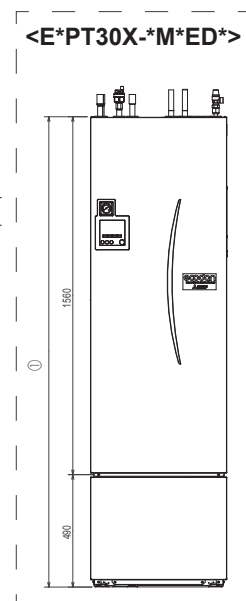
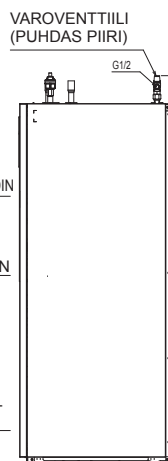
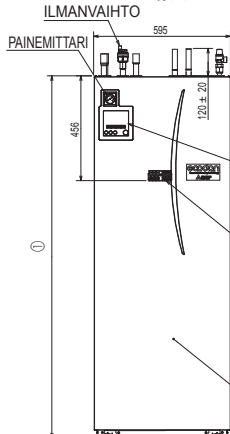
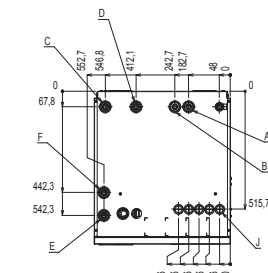
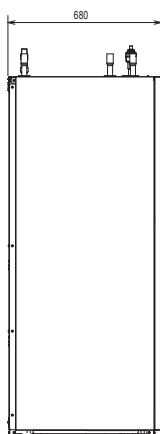
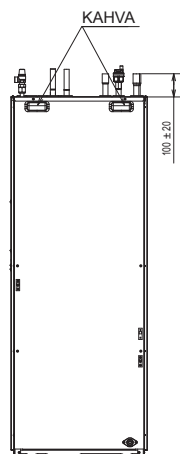
3 Tekniset tiedot

■ Tekniset piirustukset

<Yksikkö: mm>

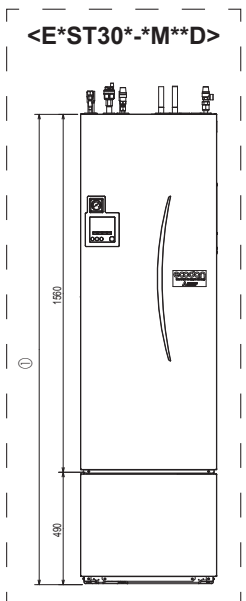
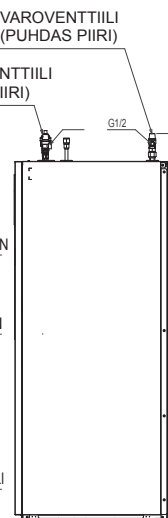
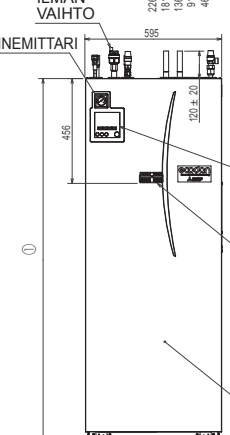
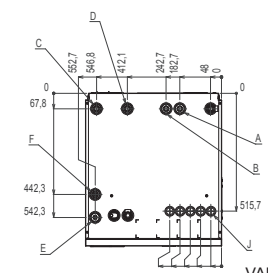
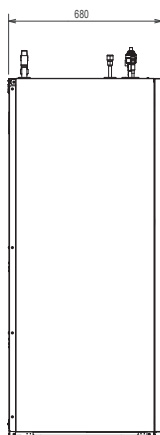
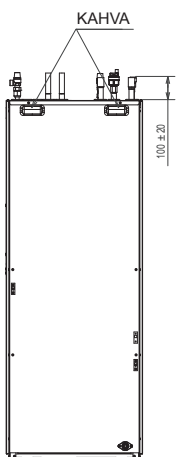
<E**T***-M**D> (Monoblock-System)

Lämminvesisäiliön kapasiteetti	170L	200L	300L
①	1400	1600	2050



(Split-mallijärjestelmä)

Lämminvesisäiliön kapasiteetti	170L	200L	300L
①	1400	1600	2050



fi

Kirjain	Putken kuvaus	Liitäntäkoko/-tyyppi
A	LV-poistoliitäntä	22 mm / kompressio
B	Kylmän veden tuloliitäntä	22 mm / kompressio
C	Huonelämmityksen/-jäähdytyksen paluuliitäntä	28 mm / kompressio
D	Huonelämmityksen/-jäähdytyksen virtausliitäntä	28 mm / kompressio
E	Virtausliitäntä lämpöpumpusta (ei levylämmönvaihdinta)	28 mm / kompressio
F	Paluuliitäntä lämpöpumppuun (ei levylämmönvaihdinta)	28 mm / kompressio
G	Kylmäaine (KAASU) (levylämmönvaihtimen kanssa)	12,7 mm / laippa (E*ST**D-*) 15,88 mm / laippa (E*ST**C-*)
H	Kylmäaine (NESTE) (levylämmönvaihtimen kanssa)	6,35 mm / laippa (E*ST**D-*) 9,52 mm / laippa (E*ST**C-*)
J	Johtojen läpiviennit	Tulot ①, ② ja ③: Vie pienjännitejohtimet mukaan lukien ulkoiset tulojohtimet ja termistorijohtimet. Tulot ④ ja ⑤: vie suurjännitejohtimet mukaan lukien virtakaapeli, sisä-ulkokaapeli ja ulkoiset lähtöjohtimet. *Käytä langattoman vastaanottimen (lisävaruste) kaapelille ja ecodan-Wi-Fi-liittännän (lisävaruste) kaapelille tuloa ①.

<Taulukko 3.4>

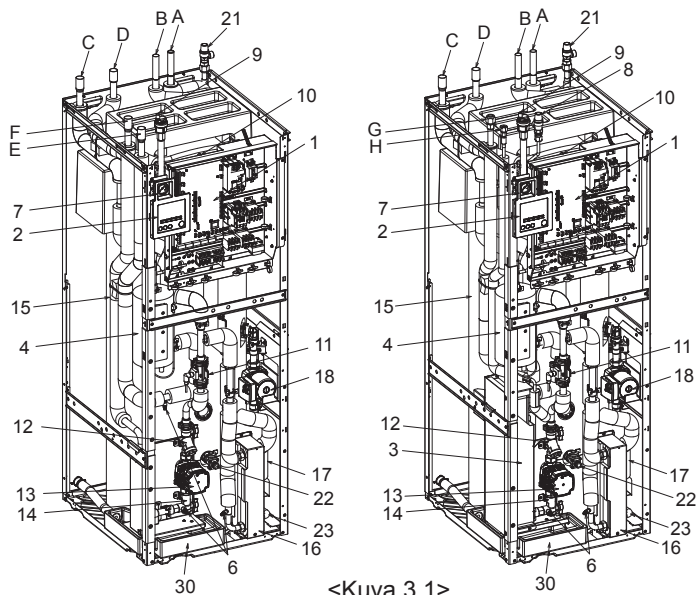
3 Tekniset tiedot

Komponenttiosat

<E**T***-M**D>

(Pakattu mallijärjestelmä)

(Split-mallijärjestelmä)

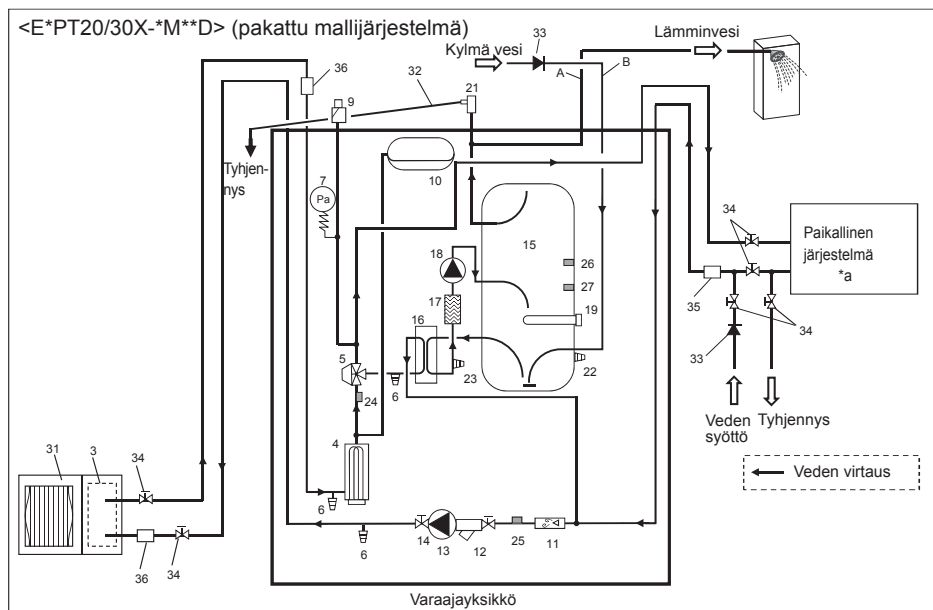


<Kuva 3.1>

Huomautus:
Kaikkia E**T***-M*ED*-malleja asennettaessa pitää asentaa sopivankokoinen ensiöpuolen paisunta-astia ja ylimääräinen varoventtiili, joka estää paisunta-astiaa halkeamasta paikan päällä. (Katso lisätiedot kuvista 3.2 ~ 3.3 ja 4.3.2)

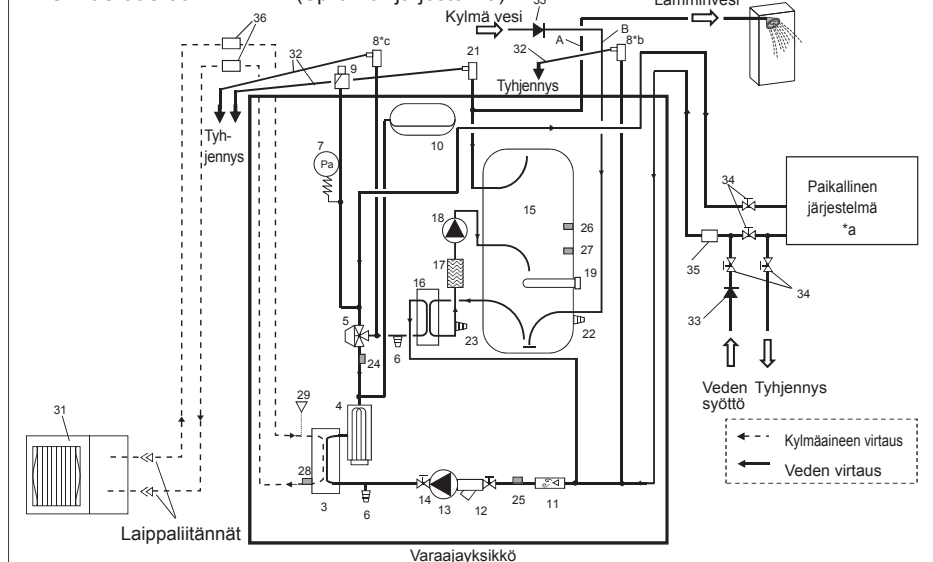
Vesipiirin kaavio

<E*PT20/30X-M**D> (pakattu mallijärjestelmä)



<Kuva 3.2>

<E*ST20C/30C/30D-M**D> (Split-mallijärjestelmä)



<Kuva 3.3>

Nro	Osan nimi
A	LV-poistoputki
B	Kylmän veden tuloputki
C	Vesiputki (huonelämmityksen/jäähdytyksen paluuliitäntä)
D	Vesiputki (huonelämmityksen/jäähdytyksen virtausliitäntä)
E	Vesiputki (virtaus lämpöpumpun liitäntään)
F	Vesiputki (paluu lämpöpumpun liitäntään)
G	Kylmäaineputki (kaasu)
H	Kylmäaineputki (nestee)
1	Ohjaus- ja sähkörasia
2	Pääsäädin
3	Levylämmönvaihdin (kylmäaine-vesi)
4	Sähkölämmitin 1, 2
5	3-tieventtiili
6	Manuaalinen ilmanpoistin
7	Painemittari
8	Varoventtiili (3 bar)
9	Automaattinen ilmanpoistin
10	Paisunta-astia (ensiöpiiri)
11	Virtausanturi
12	Siivälventtiili
13	Vesikiertopumppu 1 (ensiöpiiri)
14	Pumpun venttiili
15	LV-säiliö
16	Levylämmönvaihdin (vesi-vesi)
17	Kattilakiven erotin
18	Vesikiertopumppu 1 (puhdas piiri)
19	Käyttöveden sähkölämmitin *1
20	Lämpötila ja varoventtiili *1
21	Varoventtiili (10 bar) (LV-säiliö)
22	Tyhjennysyhde (LV-säiliö)
23	Tyhjennysyhde (puhdas piiri)
24	Virtausveden lämpötilatermostori (THW1)
25	Paluuveden lämpötilatermostori (THW2)
26	Lämminvesisäiliön veden ylempi lämpötilatermostori (THW5A)
27	Lämminvesisäiliön veden alempi lämpötilatermostori (THW5B)
28	Kylmäainenesteen lämpötilatermostori (TH2)
29	Paineanturi
30	Tyhjennysastia
31	Ulkoyksikkö
32	Tyhjennysputki (hankitaan erikseen)
33	Takaiskuventtiili (hankitaan erikseen)
34	Erutusventtiili (hankitaan erikseen)
35	Magneettisuodatin (hankitaan erikseen) (suositeltava)
36	Sihti (hankitaan erikseen)
37	Ylimääräinen varoventtiili (hankitaan erikseen)
38	Tulo-ohjausryhmä *1
39	Täyttösilmutta (kuulaventtiilit, varoventtiilit ja joustava letku) *1
40	Juomaveden paisunta-astia *1

*1 Toimitetaan VAIN UK-mallin mukana. Katso lisätietoja tarvikkeista PAC-WK02UK-E-asennusoppaasta.

<Taulukko 3.5>

Tarkista Mitsubishin verkkosivustolta muiden yksiköiden vesikierto ja kunkin yksikön komponenttiosat.

*a Katso seuraava kohta [Paikallinen järjestelmä].

*b Vain E**T20

*c Vain E**T30

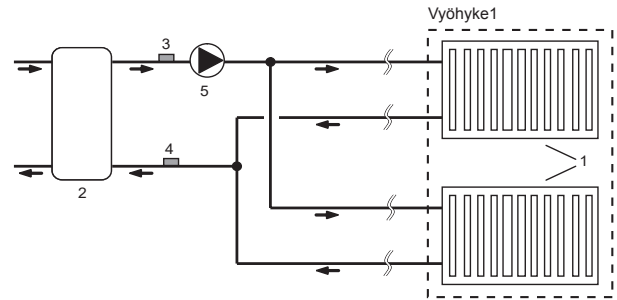
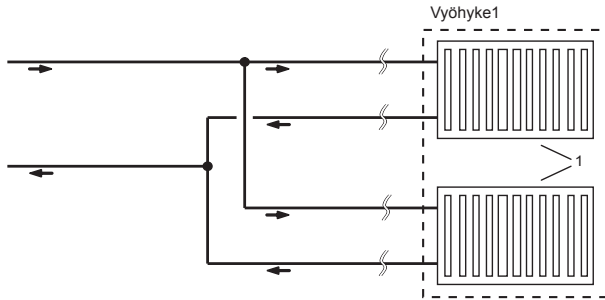
Huomautus

- Varaajayksikön tyhjentämistä varten sekä tulo- että lähtöputkistoon täytyy asentaa erotusventtiili.
- Muista asentaa sihti varaajayksikön tuloputkistoon.
- Sopiva tyhjennysputki täytyy asentaa kaikkiin päästöventtiileihin paikallisten määräysten mukaisesti.
- Takaiskuventtiili täytyy asentaa kylmän veden syöttöputkeen (IEC 61770).
- Kun käytetään eri metalleista valmistettuja komponentteja tai liitetään eri materiaaleista tehtyjä putkia, eristä liitokset, jottei putkia vaurioittavaa korroosioreaktiota pääse syntymään.

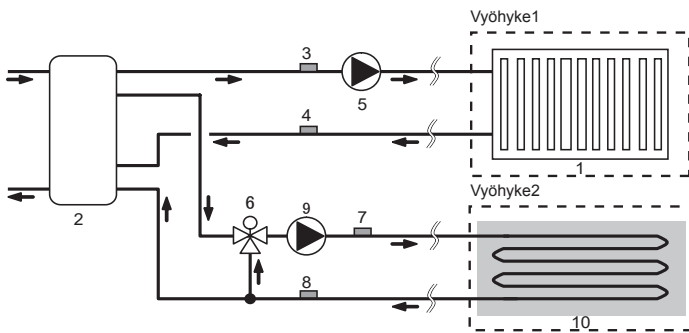
3 Tekniset tiedot

■ Paikallinen järjestelmä

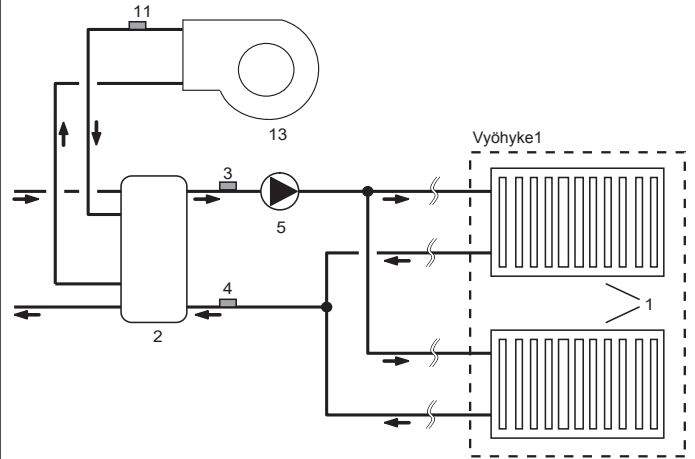
1 vyöhykkeen lämpötilansäätö



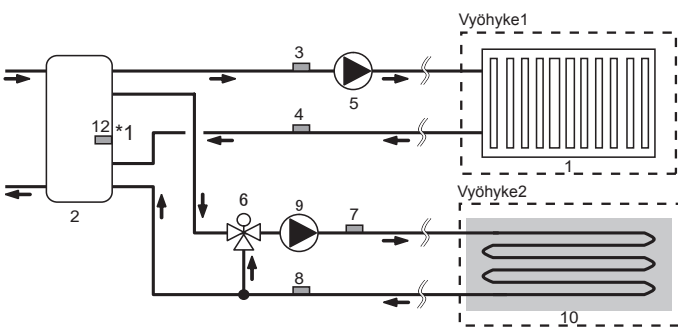
2 vyöhykkeen lämpötilansäätö



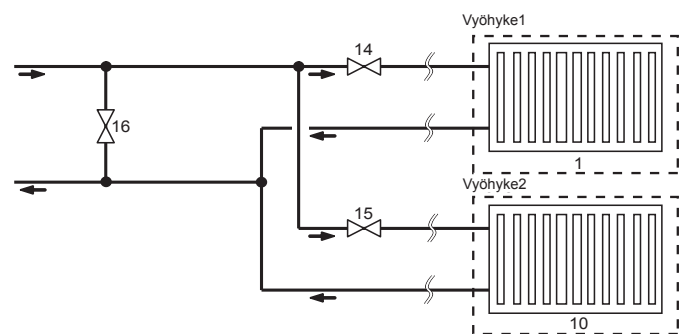
1 vyöhykkeen lämpötilansäätö kattilan kanssa



2 vyöhykkeen lämpötilansäätö & puskurisäiliön ohjaus



1 vyöhykkeen lämpötilansäätö (2 vyöhykkeen venttiilin päälle/pois-ohjaus)



1. Vyöhykkeen 1 lämpösäteilijät (esim. patteri, puhallinkonvektoriyksikkö) (hankitaan erikseen)

2. Sekoitussäiliö (hankitaan erikseen)

3. Vyöhykkeen 1 virtausveden lämpötilatermostori (THW6) } Valinnainen osa:
4. Vyöhykkeen 1 paluuvien lämpötilatermostori (THW7) } PAC-TH011-E

5. Vyöhykkeen 1 vesikiertopumppu (hankitaan erikseen)

6. Moottoroitu sekoitusventtiili (hankitaan erikseen)

7. Vyöhykkeen 2 virtausveden lämpötilatermostori (THW8) } Valinnainen osa:
8. Vyöhykkeen 2 paluuvien lämpötilatermostori (THW9) } PAC-TH011-E

9. Vyöhykkeen 2 vesikiertopumppu (hankitaan erikseen)

10. Vyöhykkeen 2 lämpösäteilijät (esim. lattialämmitys) (hankitaan erikseen)

11. Kattilan virtausveden lämpötilatermostori (THWB1) } Valinnainen osa:
12. Sekoitussäiliön termistori (THW10) *1 } PAC-TH012HT(L)-E

13. Kattila (hankitaan erikseen)

14. Vyöhykkeen 1 2-tieventtiili (hankitaan erikseen)

15. Vyöhykkeen 2 2-tieventtiili (hankitaan erikseen)

16. Ohitusventtiili (hankitaan erikseen)

*1 VAIN puskurisäiliön ohjaus (lämmitys/jäähdytys) sovelletaan kohtaan "Älykäs sähköverkko valmius".

4 Asennus

<Valmistelu ennen asennusta ja huoltoa>

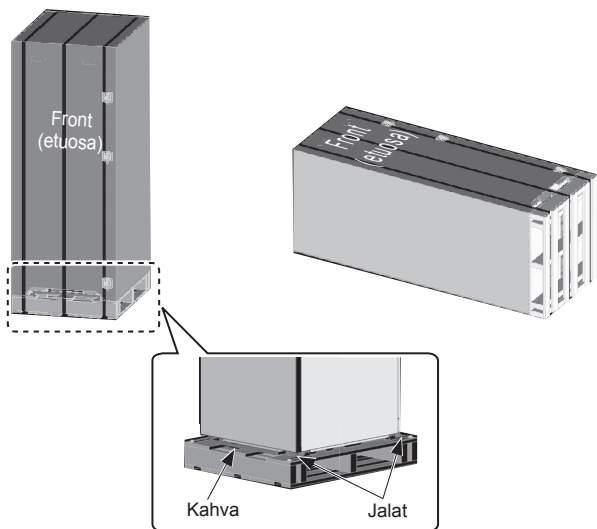
- Valmistele asianmukaiset työkalut.
- Valmistele asianmukainen suojaus.
- Anna osien jäähtyä ennen huoltotoimenpiteiden suorittamista.
- Huolehdi riittävästä ilmanvaihdosta.
- Kun järjestelmän toiminta on pysäytetty, kytke virtakatkaisin pois päältä ja irrota virtapistoke.
- Pura kondensaattorin varaus ennen sähköosiin liittyvien töiden aloittamista.

<Varoitimet huollon aikana>

- Älä tee sähköosiin liittyviä töitä, jos kätesi ovat märät.
- Älä kaada vettä tai nestettä sähköosiin.
- Älä kosketa kylmäainetta.
- Älä kosketa kylmäainejakson kuumia tai kylmiä pintoja.
- Jos piirin korjaus tai tarkastus täytyy tehdä ilman, että virta katkaistaan, toimi hyvin varovasti, jotta et kosketa jännitteisiä osia.

4.1 Sijainti

■ Kuljetus ja käsittely



<Kuva 4.1.1>

Varaajayksikkö toimitetaan puisella kuormalavalla suojattuna.

Varaajayksikköä on kuljetettava varovasti, jotta sen kotelo ei vahingoitu iskuista. Älä poista suojapakkausta, ennen kuin varaajayksikkö on lopullisessa sijoituspaikassaan. Tämä auttaa suojaamaan rakennetta ja ohjauspaneelia.

- Varaajayksikköä voidaan kuljettaa pysty- tai vaaka-asennossa. Jos sitä kuljetetaan vaaka-asennossa, "Front" (Etuosa) -merkityn paneelin täytyy olla **YLÖSPÄIN** <Kuva 4.1.1>.
- Varaajayksikön siirtämiseen tarvitaan AINA vähintään 3 henkilöä.
- Kanna varaajayksikköä sen kahvoista.
- Varmista ennen kahvojen käyttämistä, että ne ovat kunnolla kiinni.
- **Irrota etukahva, kiinnitysjalat, puupohja ja kaikki muu pakkausmateriaali, kun yksikkö on asennuspaikassa.**
- Säilytä kahvat myöhempää kuljetusta varten.

■ Sopiva sijainti

Ennen asennusta varaajayksikköä tulee säilyttää paikassa, joka on suojattu säältä ja pakkaselta. Yksiköitä **EI** saa pinota.

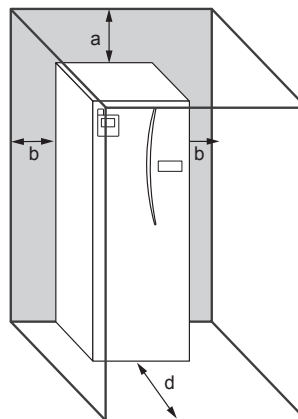
- Varaajayksikkö täytyy asentaa sisätiloihin säältä suojattuun paikkaan, joka ei jäädy.
- Asenna varaajayksikkö paikkaan, jossa se ei ole alltiina vedelle/liialliselle kosteudelle.
- Varaajayksikkö täytyy asettaa tasaiselle pinnalle, joka kantaa sen täytetyn painon. (Yksikön suoruu voidaan varmistaa käyttämällä säätöjalkoja (lisävaruste))
- Varmista säätöjalkoja käytettäessä, että lattia on riittävän tukeva.
- Huolehdi siitä, että yksikön ympärille ja eteen jää riittävästi tilaa huoltoa varten <Kuva 4.1.2>.
- Kiinnitä varaajayksikkö sen kaatumisen estämiseksi.

■ Huollon pääsykaaviot

Huoltopääsy	
Parametri	Mitta (mm)
a	300*
b	150
c (etäisyys yksikön takana ei näy kuvassa 4.1.2)	10
d	500

<Taulukko 4.1.1>

Poistoputkia varten TÄYTYY jättää riittävästi tilaa kansallisten ja paikallisten rakennusmääräysten mukaisesti.



<Kuva 4.1.2>

Huoltopääsy

* Jos asennat varaajayksikön päälle valinnaisen 2 vyöhykkeen sarjan (PAC-TZ02-E), tarvitset 300 mm lisätilaa (yhteensä 600 mm).

Varaajayksikkö täytyy sijoittaa sisälle paikkaan, joka ei jäädy – esimerkiksi kodinhoituhuoneeseen – siinä olevan veden lämpöhäviön minimoimiseksi.

■ Siirtäminen

Jos varaajayksikkö täytyy siirtää uuteen paikkaan, tyhjennä se **KOKONAAN** ennen siirtämistä, jotta yksikkö ei vaurioidu.

4.2 Veden laatu ja järjestelmän esiasetukset

Yleiset

- Sekä ensiö- että puhtaassa piirissä olevan veden on oltava puhdasta ja pH-arvoltaan 6,5–8,0
- Seuraavat ovat maksimiarvoja:
 - Kalsium: 100 mg/L, Ca-kovuus: 250 mg/L
 - Kloridi: 100 mg/L, kupari: 0,3 mg/L
- Muiden ainesosien tulee olla direktiivin 98/83 EY mukaisia.
- Kalkinmuodostumisen ehkäisemiseksi/minimoimiseksi alueilla, joissa vesi on kovaa, varaajassa olevan veden lämpötilaksi (LV maks.lämpötila) kannattaa rajoittaa 55 °C.

Jäätymisenesto

Jäätymisenestoliuksissa pitäisi käyttää propyleeniglykolia, jonka myrkyllisyysluokka on 1 Clinical Toxicology of Commercial Products, 5th Edition -julkaisun mukaisesti.

Huomautus:

1. Etyleeniglykoli on myrkyllistä, eikä sitä pitäisi käyttää ensiövesipiirissä juomavesipiirin saastumisen välttämiseksi.
2. 2 vyöhykkeen venttiilin päälle/pois-ohjauksen kanssa pitäisi käyttää propyleeniglykolia.

Uusi asennus (ensiövesipiiri)

- Ennen ulkoyksikön liittämistä puhdistat putket huolellisesti rakennusjätteistä, juotostinasta yms. käyttämällä sopivaa kemiallista puhdistusainetta.
- Poista kemiallinen puhdistusaine huuhtelemalla järjestelmä.
- Lisää kaikkiin pakattu malli -järjestelmiin yhdistettyä estoaainetta ja jäätymisenestoliuosta putkien ja järjestelmäkomponenttien vahingoittumisen ehkäisemiseksi.
- Split-mallijärjestelmän vastaavan asentajan tulee päättää kunkin sijoituspaikan olosuhteiden perusteella, tarvitaanko jäätymisenestoliuosta. Korroosionestoaainetta tulee kuitenkin aina käyttää.

Olemassa oleva asennus (ensiövesipiiri)

- Ennen ulkoyksikön liittämistä vanha lämmityspiiri TÄYTYYP puhdistaa kemiallisesti siinä olevan lian poistamiseksi.
- Poista kemiallinen puhdistusaine huuhtelemalla järjestelmä.
- Lisää kaikkiin pakattu malli -järjestelmiin sekä Split-malli- tai PUMY-järjestelmiin ilman sähkölämmittintä yhdistettyä estoaainetta ja jäätymisenestoliuosta putkien ja järjestelmäkomponenttien vahingoittumisen ehkäisemiseksi.
- Split-mallijärjestelmän vastaavan asentajan tulee päättää kunkin sijoituspaikan olosuhteiden perusteella, tarvitaanko jäätymisenestoliuosta. Korroosionestoaainetta tulee kuitenkin aina käyttää.

Kemiallisia puhdistus- ja estoaaineita käytettäessä noudata aina valmistajan ohjeita ja varmista, että tuote soveltuu vesipiirissä käytetyille materiaaleille

4.3 Vesiputken asennus

Kuumavesiputkisto

Varaajayksikkö on TUULETTAMATON. Kun asennetaan tuulettamattomia lämminvesijärjestelmiä, rakennusmääräyksiänsä osaa G3 (Englanti ja Wales), P3 (Skotlantia) ja P5 (Pohjois-Irlanti) on noudatettava. Ison-Britannian ulkopuolella noudata oman maasi tuulettamattomia lämminvesijärjestelmiä koskevia määräyksiä.

Liitä LV-virtaus putkeen A (kuva 3.1).

Varaajayksikön seuraavien turvallisuuskomponenttien toiminta täytyy tarkistaa asennuksen aikana poikkeavuuksien varalta:

- Varoventtiili (ensiöpiiri ja säiliö)
- Paisunta-astian esitäyttö (kaasun täyttöpaine)

Seuraavien sivujen ohjeita lämpimän veden turvallisen tyhjennyksen suorittamiseksi turvallisuuslaitteista on noudatettava tarkasti.

- Putkista tulee hyvin kuumia, joten ne täytyy eristää palovammojen ehkäisemiseksi.
- Varmista putkia liitettäessä, ettei niihin pääse vieraita esineitä kuten roskia.

Kylmävesiputkisto

Järjestelmään syötetään sopivan standardin (katso osa 4.2) mukaista kylmää vettä liittämällä putki B (kuva 3.1) käyttämällä sopivia liitososia.

Lämmitys-/jäähdytyspiirin tarvitseman veden vähimmäismäärä

Ulkolämpöpumppuyksikkö	Keskimääräinen / Lämmin ilmasto**	Sisäyksikön sisältämän veden määrä [L]	*Lisäksi vaadittu veden määrä [L]	Kylmä ilmasto**	
				Sisäyksikön sisältämän veden määrä [L]	*Lisäksi vaadittu veden määrä [L]
Pakattu malli	PUZ-WM50	5	2	5	24
	PUZ-WM60		4		29
	PUZ-WM85		7		32
	PUZ-WM112		11		43
	PUZ-HWM140		15		55
Split malli	SUZ-SWM40	5	1	5	12
	SUZ-SWM60		2		21
	SUZ-SWM80		4		29
	PUD-S(H)WM60		4		21
	PUD-S(H)WM80		6		29
	PUD-S(H)WM100		9		38
	PUD-S(H)WM120		12		47
	PUD-SHW140		15		55
	PUHZ-FRP71		6		27
	PUHZ-SW75		6		27
	PUHZ-SW100		9		38
	PUHZ-SW120		12		47
	PUHZ-SHW80		6		29
	PUHZ-SHW112		11		43
	PUHZ-SHW140		15		55
	PUMY-P112		22		75
	PUMY-P125		22		75
PUMY-P140	22	75			

<Taulukko 4.2.1>

* Jos laitteessa on ohituspiiri, edellisessä taulukossa esitetään veden vähimmäismäärä ohitustapauksessa.

** Tarkista 2009/125/EY: tarkista ilmastovyöhyke energiaan liittyvien tuotteiden direktiivistä ja asetuksesta (EU) N:o 813/2013.

1. tapaus: Ei jaettua ensiö- ja toisiopiiriä

- Varmista tarvittava, taulukon 4.2.1 mukainen veden määrä vesiputken ja patterin tai lattialämmityksen mukaan.

2. tapaus: Erillinen ensiö- ja toisiopiiri

- Jos ensiö- ja toisiopumpun lukituskäyttö ei ole mahdollista, varmista lisäveden määrä vain ensiöpiirissä taulukon 4.2.1 mukaisesti.
- Jos ensiö- ja toisiopumpun lukituskäyttö on mahdollista, varmista ensiö- ja toisiopiirin koko veden määrä taulukon 4.2.1 mukaisesti.

Asenna puskurisäiliö, jos vaadittavasta veden määrästä on puutetta.

Alipaineen estäminen

Jotta alipaine ei pääse vaikuttamaan LV-säiliöön, asentajan pitää asentaa sopiva putkisto tai käyttää sopivia laitteita.

Hydraulisuodatintyöt (VAIN E*PT-sarja)

Asenna hydraulisuodatin tai siivilä (hankitaan erikseen) veden sisäänottoon ("Putki E" kuvassa 3.1)

Putkiliitännät

Liitännät varaajayksikköön tehdään käyttämällä 22 tai 28 mm puristusta tarpeen mukaan.

Kun lämminvesiputkien liittämässä käytetään puristusliittimiä, aseta **lämminvesiputkelle tarkoitettu kupariputki** (lisäosat) putkiin ja kiristä niitä 0,75–1,25 kierrosta.

Puristusliittimiä ei saa kiristää liikaa, sillä se aiheuttaa helmen muodonmuutoksen ja mahdollisia vuotoja.

Huomautus: Ennen putkien kovajuottoa suojaa varaajayksikön putket **märillä pyyhkeillä tai muulla "lämpösuojalla"**.

Putkien eristys

- Kaikki näkyvissä olevat putket täytyy eristää tarpeettoman lämpöhäviön ja kondensaation estämiseksi. Jotta varaajayksikköön ei pääse kondensaatiota, sen päällä olevat putket ja liitännät täytyy eristää huolellisesti.
- Kylmä- ja kuumavesiputket eivät saa olla lähellä toisiaan, mikäli mahdollista, tarpeettoman lämmönsiirron välttämiseksi.
- Ulkolämpöpumppuyksikön ja varaajayksikön väliset putket täytyy eristää sopivalla putkieristysmateriaalilla, jonka lämmönjohtavuus on $\leq 0,04$ W/m.K.

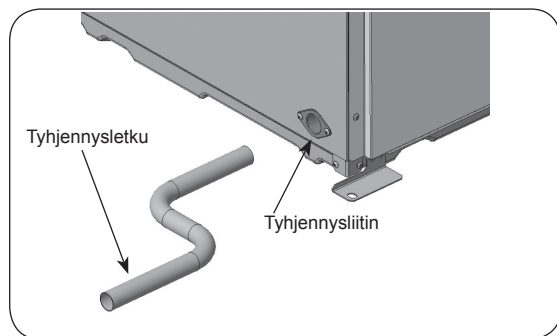
4 Asennus

■ Tyhjennä putkisto (VAIN ERST20*-sarja)

Tyhjennysastian jalustaa, joka on valinnainen osa, ei tarvitse asentaa, koska tyhjennysastia on asennettu. Tyhjennys pitäisi asentaa yksikön takaosan vasemmasta tyhjennysliittimestä.

Tyhjennysputki pitäisi asentaa kondensoituneen veden tyhjentämiseksi jäädytystilassa.

- Jotta likainen vesi ei tyhjene suoraan lattialle varaajayksikön viereen, kytkte sopiva tyhjennysputkisto varaajayksikön tyhjennysastiasta.
- Asenna tyhjennysputki varmasti, jotta liitos ei vuoda.
- Eristä paikallisesti toimitettu tyhjennysputki hyvin, jotta siitä ei tipu vettä.
- Asenna tyhjennysputki vähintään 1/100:n kaltevuuteen.
- Älä sijoita tyhjennysputkea tyhjennyskanavaan, jossa on rikkipitoisia kaasuja.
- Tarkista asennuksen jälkeen, että tyhjennysputki tyhjentää veden kunnolla putken poistoaukosta sopivaan poistopaikkaan.



<Kuva 4.3.1>

<Asennus>

1. Tyhjennysliitin (sisähalkaisija 26mm) sijaitsee varaajayksikön takaosassa vasemmalla. (Kuva 4.3.1)
 2. Kiinnitä tyhjennysliittimeen sopiva tyhjennysputki (VP-20) polyvinyylikloridityyppisellä liimalla.
 3. Asenna tyhjennysputki lähtöön yli sadasosan viettokaltevuudella.
- Huomautus: Tue paikallisesti toimitettu tyhjennysputki varmasti, jotta se ei pääse putoamaan tyhjennysliittimestä.



■ Paisunta-astioiden mitoitus

Paisunta-astian tilavuuden täytyy sopia paikallisen järjestelmän veden tilavuuteen.

Lämmityspiirin paisunta-astian mitoittamiseen voidaan käyttää seuraavaa kaavaa ja kaaviota.

Jos tarvittava paisunta-astian tilavuus ylittää sisäänrakennetun paisunta-astian tilavuuden, asenna lisäpaisunta-astia, jotta paisunta-astioiden yhteistilavuus ylittää tarvittavan paisunta-astian tilavuuden.

* E**T***-M*ED*-mallia asennettaessa pitää asentaa sopiva ensiöpuolen paisunta-astia ja ylimääräinen 3 baarin varoventtiili paikan päällä, sillä malliin EI OLE asennettu ensiöpuolen paisunta-astia.

$$V = \frac{\varepsilon \times G}{1 - \frac{P_1 + 0,098}{P_2 + 0,098}}$$

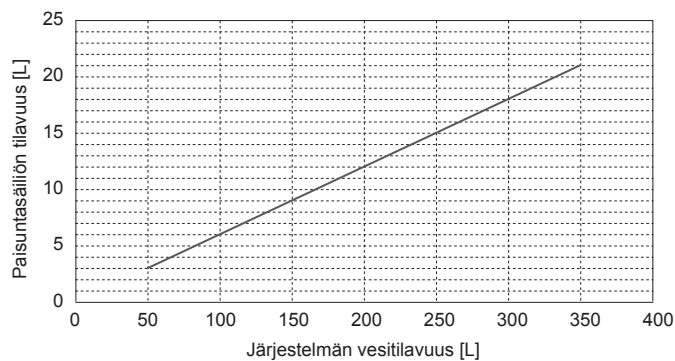
Jossa:

- V : Tarvittava paisuntasäiliön tilavuus [L]
- ε : Veden laajenemiskerroin
- G : Järjestelmässä olevan veden kokonaistilavuus [L]
- P_1 : Paisunta-astian asetuspaine [MPa]
- P_2 : Suurin käytönaikainen paine [MPa]

Oikealla oleva kaavio on seuraaville arvoille

- ε : lämpötilassa 70°C = 0,0229
- P_1 : 0,1 MPa
- P_2 : 0,3 MPa
- *30 %:n turvamarginaali on lisätty.

Paisunta-astian mitoitus



<Kuva 4.3.2>

4 Asennus

Vesikiertopumpun ominaisuudet

1. Ensiöpiiri

Pumpun nopeus voidaan valita pääsääntöisesti asetuksella (katso <Kuva 4.3.3 - 4.3.7>).

Säädiä pumpun nopeusasetus niin, että ensiöpiirin virtausnopeus on sopiva asennettua ulkoyksikköä varten (katso Taulukko 4.3.1). Järjestelmään täytyy ehkä lisätä toinen pumppu ensiöpiirin pituuden ja nousun mukaan.

Jos ulkoyksikön mallia ei ole mainittu kohdassa <Taulukko 4.3.1>, katso veden virtausnopeusalue ulkoyksikön tuotejulkaisun teknisten tietojen taulukosta.

<Toinen pumppu>

Jos asennukseen tarvitaan toinen pumppu, lue seuraavat tiedot huolellisesti.

Jos järjestelmässä käytetään toista pumppua, se voidaan sijoittaa 2 tavalla.

Pumpun sijainti määrää, mihin FTC-napaan signaaliikaapeli liitetään. Jos lisäpumppujen virta on suurempi kuin 1 A, käytä asianmukaista relettä. Pumpun signaaliikaapeli voidaan kytkeä liittimeen TBO.1 1-2 tai CNP1 mutta ei molempiin.

Vaihtoehto 1 (vain lämmitys/jäähdytys)

Jos toista pumppua käytetään vain lämmityspiiriä varten, signaaliikaapeli täytyy kytkeä TBO.1-napoihin 3 ja 4 (OUT2). Tässä asennossa pumppua voidaan käyttää eri nopeudella kuin varaajayksikön sisäänrakennettua pumppua.

Vaihtoehto 2 (ensiöpiirin LV- ja huonelämmitys/-jäähdytys)

Jos toista pumppua käytetään ensiöpiirissä varaajayksikön ja ulkoyksikön välissä (VAIN pakattu järjestelmä), signaaliikaapeli täytyy kytkeä TBO.1-napoihin 1 ja 2 (OUT1). Tässä asennossa pumpun nopeuden **TÄYTYY** vastata varaajayksikön sisäänrakennetun pumpun nopeutta.

Huomautus: Katso 5.2 Tulojen/lähtöjen liittäminen.

Ulkolämpöpumppuyksikkö		Veden virtausnopeusalue [L/min]
Pakattu malli	PUZ-WM50	6,5 - 14,3
	PUZ-WM60	8,6 - 17,2
	PUZ-WM85	10,8 - 24,4
	PUZ-WM112	14,4 - 32,1
	PUZ-HWM140	17,9 - 36,9
Split-malli	SUZ-SWM40	6,5 - 11,4
	SUZ-SWM60	7,2 - 17,2
	SUZ-SWM80	7,8 - 21,5
	PUD-S(H)WM60	9,0 - 22,9
	PUD-S(H)WM80	9,0 - 22,9
	PUD-S(H)WM100	14,3 - 34,4
	PUD-S(H)WM120	14,3 - 34,4
	PUD-SHW140	14,3 - 34,4
	PUHZ-FRP71	11,5 - 22,9
	PUHZ-SW75	10,2 - 22,9
	PUHZ-SW100	14,4 - 32,1
	PUHZ-SW120	20,1 - 36,9
	PUHZ-SHW80	10,2 - 22,9
	PUHZ-SHW112	14,4 - 32,1
	PUHZ-SHW140	17,9 - 36,9
PUMY-P112	17,9 - 35,8	
PUMY-P125	17,9 - 35,8	
PUMY-P140	17,9 - 35,8	

<Taulukko 4.3.1>

* Jos veden virtausmäärä on alle 5,0 L/min, virtausnopeuden vika aktivoituu. Jos veden virtausmäärä on yli 36,9 L/min (E**T20/30-sarja) tai 25,8 L/min (E**T17-sarja), virtausnopeus on silloin suurempi kuin 2,0 m/s, mikä voi syövyttää putkia.

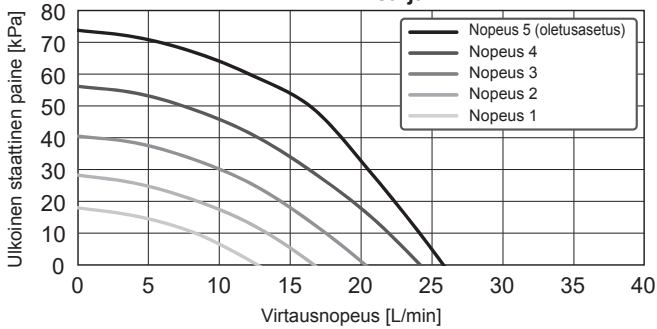
2. Puhdas piiri

Oletusasetus: Nopeus 2

LV-piiriin pumppu PITÄÄ asettaa nopeuteen 2.

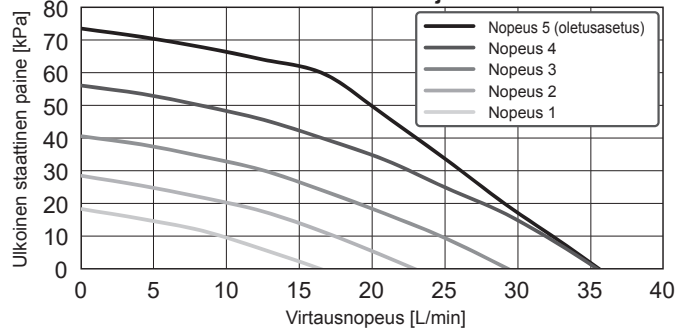
Vesikiertopumpun ominaisuudet

E*PT17X-sarja



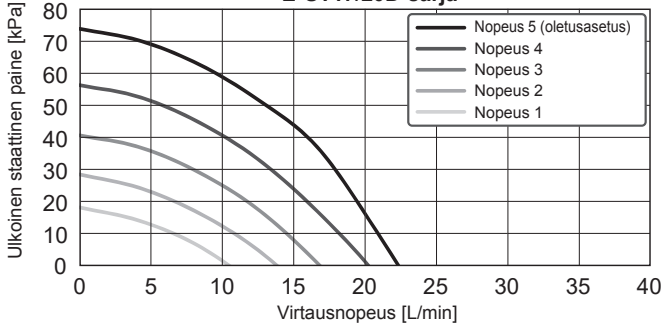
<Kuva 4.3.3>

E*PT20/30X-sarja



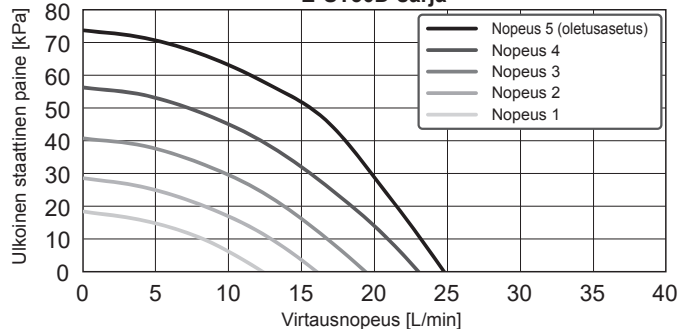
<Kuva 4.3.4>

E*ST17/20D-sarja



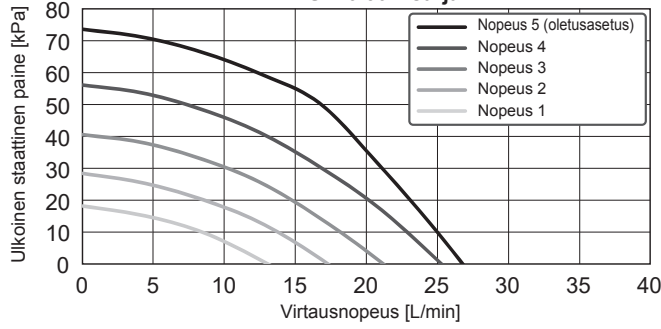
<Kuva 4.3.5>

E*ST30D-sarja



<Kuva 4.3.6>

E*ST20/30C-sarja



<Kuva 4.3.7>

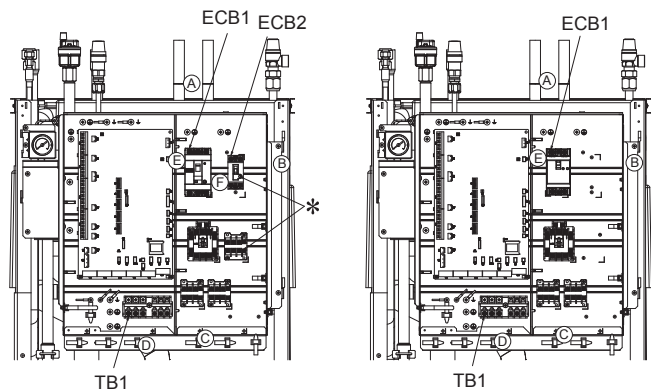
*E*PT-sarjaa asennettaessa asenna pumpun nopeus paineenalennuksella varaajayksikön ja ulkoyksikön välillä lasketun ulkoisen paineen mukaisesti.

4 Asennus

4.4 Sähköliitäntä

Kaikki sähkötyöt tulee antaa pätevän asentajan suoritettaviksi. Muuten seurauksena voi olla sähköisku, tulipalo ja kuolema. Lisäksi tuotteen takuu mitätöityy. Kaikkien johdotusten tulee noudattaa kansallisia määräyksiä.

Katkaisimen lyhenne	Merkitys
ECB1	Sähkölämmittimen vikavirtakatkaisin
ECB2	Käyttöveden sähkölämmittimen vikavirtakatkaisin
TB1	Riviliitin 1



<1-vaihe (käyttöveden sähkölämmittimen kanssa)>

<3-vaihe (ilman oppokuumenninta)>

Varaajyksikkö voidaan virroittaa kahdella tavalla.

1. Virtakaapeli vedetään ulkoyksiköstä varaajyksikköön.
2. Varaajyksiköllä on itsenäinen virtalähde.

Liitännät tulee tehdä vasemmalla olevissa kuvissa osoitettuihin liittimiin vaiheen mukaan.

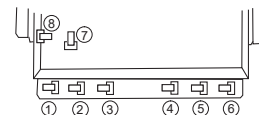
Sähkölämmittin ja käyttöveden sähkölämmittin täytyy liittää toisistaan riippumatta erillisiin virtalähteisiin.

Ⓐ Paikallisesti hankitut johdot täytyy asentaa varaajyksikön yläosassa olevien läpivientien kautta. (Katso <Taulukko 3.4>.)

Ⓑ Johdot täytyy viedä ohjaus- ja sähkörsian oikeaa puolta pitkin alas ja kiinnittää paikoilleen toimitukseen kuuluvilla pidikkeillä.

Ⓒ Johtimet tulee asettaa yksitellen läpivientien läpi kuten alla.

- ② Lähtöjohdin
- ③ Sisä-ulkojohdin
- ⑤ Voimajohto (sähkölämmittin)
Voimajohto (oppokuumennin) (valinnainen)
- ⑦ Signaalitulojohdin



Ⓓ Liitä ulkoyksikön – varaajyksikön liitäntäkaapeli TB1:een.

Ⓔ Liitä sähkölämmittimen virtakaapeli ECB1:een.

Ⓕ Jos käytetään käyttöveden sähkölämmittintä, liitä virtakaapeli ECB2:een.

• Vältä kosketusta johdotuksen ja osien (*) välillä.

• Varmista, että ECB1 ja ECB2 ovat PÄÄLLÄ.

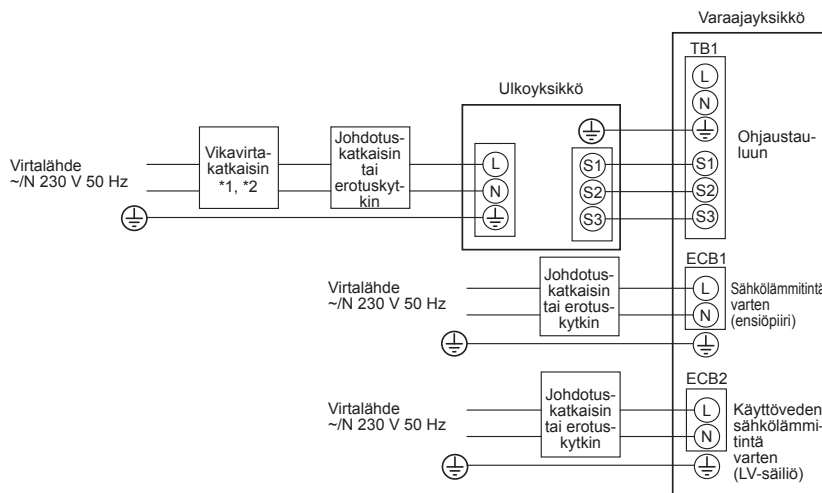
• Kun johtotyöt on tehty, tarkista, että pääsäätimen kaapeli on liitetty releen liittimeen.

Varaajyksikkö saa virran ulkoyksikön kautta

(Vieraile Mitsubishin verkkosivustolla, jos haluat käyttää riippumatonta lähdetä.)

<1-vaihe>

Kiinnitä oppaiden mukana tuleva tarra A lähelle jokaista varaajyksikön ja ulkoyksikön kytkentäkaaviota.



<Kuva 4.4.1>
Sähköliitännät, 1-vaihe

*1. Jos asennetussa vikavirtakatkaisimessa ei ole ylivirtasuojaa, asenna samaan virtalinjaan katkaisin, jossa on kyseinen toiminto.

*2. Tarvitaan katkaisin, jonka kontaktin erotus on vähintään 3,0 mm jokaisen navan välissä. Käytä maavuotokatkaisinta (NV). Katkaisin täytyy asentaa, jotta varmistetaan kaikkien aktiivisten vaihejohtimien irtikytkentä virransyötöstä.

*3. Maks. 45 m

Jos käytetään 2,5 mm², maks. 50 m
Jos käytetään 2,5 mm² ja S3 erotettu, maks. 80 m

*4. Yllä olevan taulukon arvoja ei ole aina mitattu maattoarvoa vastaan.

Kuvaus	Virtalähde	Kapasiteetti	Katkaisin	Johdotus
Sähkölämmittin (ensiöpiiri)	~N 230 V 50 Hz	2 kW	16 A *2	2,5 mm ²
		6 kW	32 A *2	6,0 mm ²
Käyttöveden sähkölämmittin (LV-säiliö)	~N 230 V 50 Hz	3 kW	16 A *2	2,5 mm ²

Johdotus Johdon * koko (mm ²)	Varaajyksikkö – ulkoyksikkö *3	3 × 1,5 (polaarinen)
	Varaajyksikkö – ulkoyksikön maatto *3	1 × min. 1,5
Piirin arvo	Varaajyksikkö – ulkoyksikön S1–S2 *4	230 VAC
	Varaajyksikkö – ulkoyksikön S2–S3 *4	24 VDC

Huomaus: 1. Johtimen koon on noudatettava paikallisia ja kansallisia määräyksiä.

2. Sisäyksikön/ulkoyksikön liitosjohdot eivät saa olla kevyempiä kuin suojattu, joustava polykloropreenijohdo. (Rakenne 60245 IEC 57)

3. Sisäyksikön virtajohdot eivät saa olla kevyempiä kuin suojattu, joustava polykloropreenijohdo. (Rakenne 60227 IEC 53)

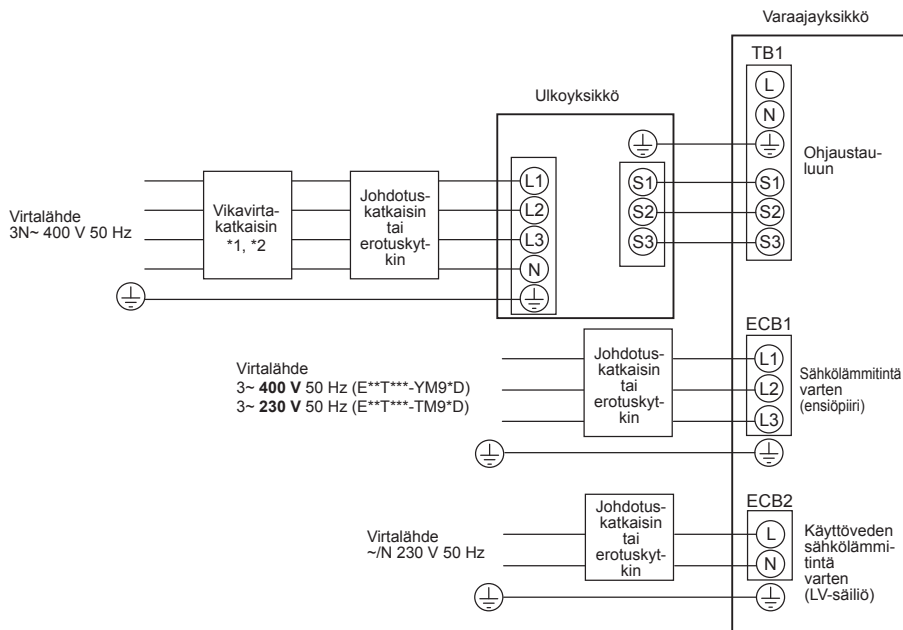
3. Asenna maatto muita kaapeleita pidemmäksi.

4. Jätä jokaiselle lämmittimelle riittävästi virtalähteen lähtökapasiteettia. Virtalähteen kapasiteetin puute voi aiheuttaa kalinaa.

4 Asennus

<3-vaihe>

Kiinnitä oppaiden mukana tuleva tarra A lähelle jokaista varaajayksikön ja ulkoyksikön kytkentäkaaviota.



<Kuva 4.4.2>
Sähkölaitännät, 3-vaihe

Kuvaus	Virtalähde	Kapasiteetti (sisäyksikön ref.)	Katkaisin	Johdotus
Sähkölämmitin (ensiöpiiri)	3~ 400 V 50 Hz	9 kW	16 A *2	2,5 mm ²
	3~ 230 V 50 Hz	9 kW	32 A *2	6,0 mm ²
Käyttöveden sähkölämmitin (LV-säiliö)	~N 230 V 50 Hz	3 kW	16 A *2	2,5 mm ²

Johdotus Johtonro x koko (mm ²)	Varaajayksikkö – ulkoyksikkö *3	3 x 1,5 (polaarinen)
	Varaajayksikkö – ulkoyksikön maatto *3	1 x min. 1,5
Piirin arvo	Varaajayksikkö – ulkoyksikön S1–S2 *4	230 VAC
	Varaajayksikkö – ulkoyksikön S2–S3 *4	24 VDC

*1. Jos asennetussa vikavirtakatkaisimessa ei ole ylivirtasuojaa, asenna samaan virtalinjaan katkaisin, jossa on kyseinen toiminto.

*2. Tarvitaan katkaisin, jonka kontaktin erotus on vähintään 3,0 mm jokaisen navan välissä. Käytä maavuotokatkaisinta (NV).
Katkaisin täytyy asentaa, jotta varmistetaan kaikkien aktiivisten vaihejohtimien irtikytkentä virransyötöstä.

*3. Maks. 45 m

Jos käytetään 2,5 mm², maks. 50 m

Jos käytetään 2,5 mm² ja S3 erotettu, maks. 80 m

*4. Yllä olevan taulukon arvoja ei ole aina mitattu maattoarvoa vastaan.

Huomautus: 1. Johtimen koon on noudatettava paikallisia ja kansallisia määräyksiä.

2. Sisäyksikön/ulkoyksikön liitosjohdot eivät saa olla kevyempiä kuin suojattu, joustava polykloropreenijohto. (Rakenne 60245 IEC 57)

Sisäyksikön virtajohdot eivät saa olla kevyempiä kuin suojattu, joustava polykloropreenijohto. (Rakenne 60227 IEC 53)

3. Asenna maatto muita kaapeleita pidemmäksi.

4. Jätä jokaiselle lämmittimelle riittävästi virtalähteen lähtökapasiteettia. Virtalähteen kapasiteetin puute voi aiheuttaa kalinaa.

5 Järjestelmän asetukset

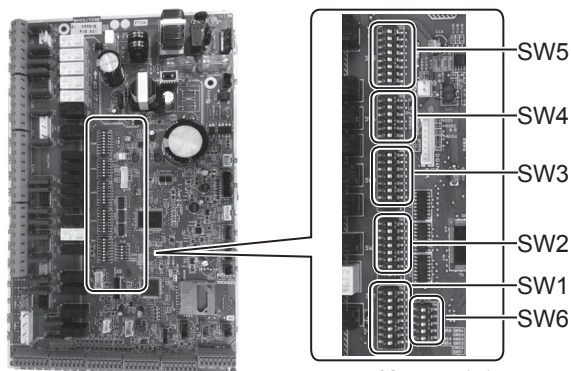
5.1 Dip-kytkimien toiminnot

Piirilevyyn ja itse Dip-kytkinryhmään on painettu sana ON (Päällä). Kytkimen siirtämiseen tarvitaan nuppineula, ohuen metalliivoittimen kulma tai vastaava.

Dip-kytkimien asetukset on lueteltu alla taulukossa 5.1.1.

Vain valtuutettu asentaja voi muuttaa DIP-kytkimien asetusta omalla vastuullaan asennusolosuhteiden mukaisesti.

Muista sammuttaa sekä sisä- että ulkoyksikön virtalähteet ennen kytkimien asetusten muuttamista.



<Kuva 5.1.1>

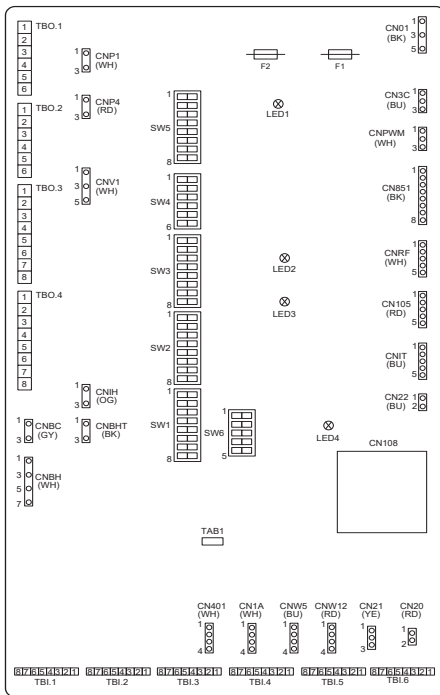
Dip-kytkin	Toiminto	OFF	ON	Oletusasetukset: Sisäyksikön malli			
SW1	SW1-1 Kattila	ILMAN kattilaa	Kattilan KANSSA	OFF			
	SW1-2 Lämpöpumpun suurin lähtöveden lämpötila	55 °C	60 °C	ON *1			
	SW1-3 LV-säiliö	ILMAN LV-säiliötä	LV-säiliön KANSSA	ON			
	SW1-4 Uppokuumennin	ILMAN uppokuumenninta	Uppokuumentimen KANSSA	OFF: Paitsi EHPT20X-MHEDW ON : EHPT20X-MHEDW			
	SW1-5 Sähkölämmitin	ILMAN sähkölämmittintä	Sähkölämmittimen KANSSA	OFF: E**T***-M*ED* ON : E**T***-M 2/6/9*D			
	SW1-6 Sähkölämmittimen toiminto	Vain lämmitys	Lämmitys ja LV	OFF: E**T***-M*ED* ON : E**T***-M 2/6/9*D			
	SW1-7 Ulkoyksikön tyyppi	Split-tyyppi	Pakattu tyyppi	OFF: E*ST***-M**D ON : E*PT***-M**D*			
	SW1-8 Langaton kaukosäädin	ILMAN langatonta kaukosäädintä	Langattoman kaukosäätimen KANSSA	OFF			
SW2	SW2-1 Huonetermostaatin 1 tulon (IN1) logiikan muutos	Vyöhykkeen 1 toiminnan pysäytys, jos termostaatissa oikosulku	Vyöhykkeen 1 toiminnan pysäytys, jos termostaatissa katkos	OFF			
	SW2-2 Virtauskytkimen 1 tulon (IN2) logiikan muutos	Viantunnistus, jos oikosulku	Viantunnistus, jos katkos	OFF			
	SW2-3 Sähkölämmittimen kapasiteetin rajoitus	Passiivinen	Aktiivinen	OFF: Paitsi E**T***-VM2*D ON: E**T***-VM2*D			
	SW2-4 Jäähdytystilan toiminto	Passiivinen	Aktiivinen	OFF: EH*T***-M**D* ON : ER*T***-M**D			
	SW2-5 Automaattinen vaihto varalämmityslähteen käyttöön (kun virhe pysäyttää ulkoyksikön)	Passiivinen	Aktiivinen *2	OFF			
	SW2-6 Sekoitussäiliö	ILMAN sekoitussäiliötä	Sekoitussäiliön KANSSA	OFF			
	SW2-7 2 vyöhykkeen lämpötilansäätö	Passiivinen	Aktiivinen *6	OFF			
	SW2-8 Virtausanturi	ILMAN virtausanturia	Virtausanturin KANSSA	ON			
SW3	SW3-1 Huonetermostaatin 2 tulon (IN6) logiikan muutos	Vyöhykkeen 2 toiminnan pysäytys, jos termostaatissa oikosulku	Vyöhykkeen 2 toiminnan pysäytys, jos termostaatissa katkos	OFF			
	SW3-2 Virtauskytkimen 2 tulon (IN3) logiikan muutos	Viantunnistus, jos oikosulku	Viantunnistus, jos katkos	OFF			
	SW3-3 3-tieventtiilytppi	AC-moottori	Askelmoottori	OFF: Paitsi E**T17X/17D/20D- *M**D* ON: E**T17X/17D/20D-*M**D			
	SW3-4 Sähköenergian mittari	ILMAN sähköenergian mittaria	Sähköenergian mittarin KANSSA	OFF			
	SW3-5 Lämmitystilan toiminto *3	Passiivinen	Aktiivinen	ON			
	SW3-6 2 vyöhykkeen venttiilin ohjaus päälle/pois	Passiivinen	Aktiivinen	OFF			
	SW3-7 LV:n lämmönvaihdin	Kierukka säiliössä	Ulkoinen levy HEX	ON			
	SW3-8 Lämpömittari	ILMAN lämpömittaria	Lämpömittarin KANSSA	OFF			
SW4	SW4-1	—	—	OFF			
	SW4-2	—	—	OFF			
	SW4-3	—	—	OFF			
	SW4-4 Vain sisäyksikön toiminta (asennustyön aikana) *4	Passiivinen	Aktiivinen	OFF			
	SW4-5 Häätätila (vain lämmitin -käyttö)	Normal	Hätätila (vain lämmitin -käyttö)	OFF *5			
	SW4-6 Häätätila (kattilakäyttö)	Normal	Hätätila (kattilakäyttö)	OFF *5			
SW5	SW5-1	—	—	OFF			
	SW5-2 Edistynyt automaattinen sopeutuminen	Passiivinen	Aktiivinen	ON			
	SW5-3	Kapasiteettikoodi					
	SW5-4		SW5-3	SW5-4	SW5-5	SW5-6	SW5-7
	SW5-5	E**T***C-*M**D	ON	ON	ON	ON	OFF
	SW5-6	E**T***D-*M**D	ON	OFF	OFF	ON	OFF
	SW5-7	E**T***X-*M**D*	OFF	OFF	OFF	OFF	OFF
	SW5-8	—	—	—	—	—	OFF
SW6	SW6-1	—	—	OFF			
	SW6-2	—	—	OFF			
	SW6-3 Paineanturi	Passiivinen	Aktiivinen	OFF: Paitsi E*ST**D-*M**D ON: E*ST**D-*M**D			
	SW6-4 Analoginen lähtösignaali (0–10 V)	Passiivinen	Aktiivinen	OFF			
	SW6-5	—	—	—	OFF		

<Taulukko 5.1.1>

- Huomautus:**
- *1. Kun varaajyksikkö liitetään PUMY-P-ulkoyksikköön, jonka korkein lähtöveden lämpötila on 55 °C, Dip SW1-2 täytyy kääntää asentoon OFF.
 - *2. Ulkoinen lähtö (OUT11) on käytettävissä. Turvallisuussyistä tämä toiminto ei ole käytettävissä tiettyjen virheiden kanssa. (Tällöin järjestelmän toiminta täytyy pysäyttää ja vain vesikiertopumppu jää käyntiin.)
 - *3. Tämä kytkin toimii vain, kun varaajyksikkö on liitetty PUHZ-FRP-ulkoyksikköön. Jos on liitetty erityyppinen ulkoyksikkö, lämmitystilatoiminta on aktiivinen riippumatta siitä, onko kytkin asennossa ON tai OFF.
 - *4. Lämmitystä ja lämmintä vettä voidaan käyttää vain sisäyksikössä, kuten sähkölämmittimessä. (Katso ”5.4 Vain sisäyksikön toiminta”.)
 - *5. Jos hätätilaa ei enää tarvita, palauta kytkin asentoon OFF.
 - *6. Aktiivinen vain, kun SW3-6 on asennossa OFF.

5 Järjestelmän asetukset

5.2 Tulojen/lähtöjen liittäminen



<Kuva 5.2.1>

Johtimien tiedot ja erikseen hankittavat osat

Nimike	Nimi	Malli ja tekniset tiedot
Signaalin tulotoiminto	Signaalitulojohdin	Käytä suojattua vinyylijohtoa tai -kaapelia. Maks. 30 m Johdintyyppi: CV, CVS tai vastaava Johdinkoko: Kerrattu johdin 0,13 mm ² – 0,52 mm ² Säikeetön johdin: ø0,4 mm – ø0,8 mm
	Kytkin	Jännitteettömät a-kontaktisignaaliit Etäkytkin: minimikuormitus 12 VDC, 1 mA

Huomaus:

Kerrattu johdin pitää käsitellä pintaeristetyllä kiskoliittimellä (DIN46228-4-standardin mukainen tyyppi).

■ Signaalitulot

Nimi	Riviliitin	Liitin	Nimike	OFF (katkos)	ON (oikosulku)
IN1	TBI.1 7-8	—	Huonetermostaatin 1 tulo *1	Katso SW2-1 kohdassa <5.1 Dip-kytkimien toiminnot>.	
IN2	TBI.1 5-6	—	Virtauskytkimen 1 tulo	Katso SW2-2 kohdassa <5.1 Dip-kytkimien toiminnot>.	
IN3	TBI.1 3-4	—	Virtauskytkimen 2 tulo (vyöhyke 1)	Katso SW3-2 kohdassa <5.1 Dip-kytkimien toiminnot>.	
IN4	TBI.1 1-2	—	Tarveohjauksen tulo	Normal	Lämmönlähde OFF (POIS) / kattilan toiminta *3
IN5	TBI.2 7-8	—	Ulkotermostaatin tulo *2	Normaali käyttö	Lämmittimen toiminta / kattilan toiminta *3
IN6	TBI.2 5-6	—	Huonetermostaatin 2 tulo *1	Katso SW3-1 kohdassa <5.1 Dip-kytkimien toiminnot>.	
IN7	TBI.2 3-4	—	Virtauskytkimen 3 tulo (vyöhyke 2)	Katso SW3-2 kohdassa <5.1 Dip-kytkimien toiminnot>.	
IN8	TBI.3 7-8	—	Sähköenergian mittari 1	*4	
IN9	TBI.3 5-6	—	Sähköenergian mittari 2		
IN10	TBI.2 1-2	—	Lämpömittari		
IN11	TBI.3 3-4	—	Älykäs sähköverkko valmius -tulo	*5	
IN12	TBI.3 1-2	—			
INA1	TBI.4 1-3	CN1A	Virtausanturi	—	—

*1. Aseta huonetermostaatin ON (päälle) ja OFF (pois päältä) kytkeytymisen aikaväliksi vähintään 10 minuuttia; muussa tapauksessa kompressori saattaa vaurioitua.

*2. Jos lämmittimen toiminnan ohjaukseen käytetään ulkotermostaattia, lämmittimien ja liittyvien osien käyttöikä saattaa lyhentyä.

*3. Kun haluat käynnistää kattilan toiminnan, valitse huoltovalikon Ulkoisen tulon asetus -kohdassa Kattila.

*4. Yhdistettävä sähköenergian mittari ja lämpömittari

- Pulssityyppi Jännitteetön kontakti FTC:n 12 VDC:n tunnistusta varten (Nastoissa TBI.2 1, TBI.3 5 ja 7 on positiivinen jännite.)
- Pulssin kesto Minimi ON-aika: 40 ms
Minimi OFF-aika: 100 ms

- Mahdollinen pulssiyksikkö 0,1 pulssia/kWh 1 pulssia/kWh 10 pulssia/kWh
100 pulssia/kWh 1000 pulssia/kWh

Nämä arvot voidaan asettaa päässätimellä. (Katso valikkopuu kohdassa "Pääsäädin".)

*5. Kuten Älykäs sähköverkko valmius, ks. "5.5 Älykäs sähköverkko valmius".

■ Termistoritulot

Nimi	Riviliitin	Liitin	Nimike	Valinnaisen osan malli
TH1	—	CN20	Termistorin (huonelämpöt.) (valinnainen)	PAC-SE41TS-E
TH2	—	CN21	Termistorin (kylmäainenesteen lämpöt.)	—
THW1	—	CNW12 1-2	Termistori (virtausveden lämpöt.)	—
THW2	—	CNW12 3-4	Termistori (paluuvden lämpöt.)	—
THW5A	—	CNW5 1-2	Termistori (Lämminvesisäiliön veden ylempi lämpöt.)	—
THW5B	—	CNW5 3-4	Termistori (Lämminvesisäiliön veden alempi lämpöt.)	—
THW6	TBI.5 7-8	—	Termistori (vyöhykkeen 1 virtausveden lämpöt.) (valinnainen) *1	PAC-TH011-E
THW7	TBI.5 5-6	—	Termistori (vyöhykkeen 1 paluuvden lämpöt.) (valinnainen) *1	
THW8	TBI.5 3-4	—	Termistori (vyöhykkeen 2 virtausveden lämpöt.) (valinnainen) *1	PAC-TH011-E
THW9	TBI.5 1-2	—	Termistori (vyöhykkeen 2 paluuvden lämpöt.) (valinnainen) *1	
THWB1	TBI.6 7-8	—	Termistori (kattilan virtausveden lämpöt.) (valinnainen) *1	PAC-TH012HT-E(5 m)/ PAC-TH012HTL-E(30 m)
THW10	TBI.6 5-6	—	Termistori (Sekoitussäiliön veden lämpöt.) (valinnainen) *1	

Muista johdottaa termistorijohtimet etäälle voimajohtodosta ja/tai OUT1–16-johtimista.

*1. Termistorijohtimen maksimipituus on 30 m.

Valinnaisten termistorien pituus on 5 m. Jos johtimia täytyy yhdistää ja jatkaa, seuraavat kohdat on suoritettava.

1) Liitä johtimet juottamalla.

2) Eristä jokainen liitoskohta pölyltä ja vedeltä. Kerrattu johdin pitää käsitellä pintaeristetyllä kiskoliittimellä (DIN46228-4-standardin mukainen tyyppi).

5 Järjestelmän asetukset

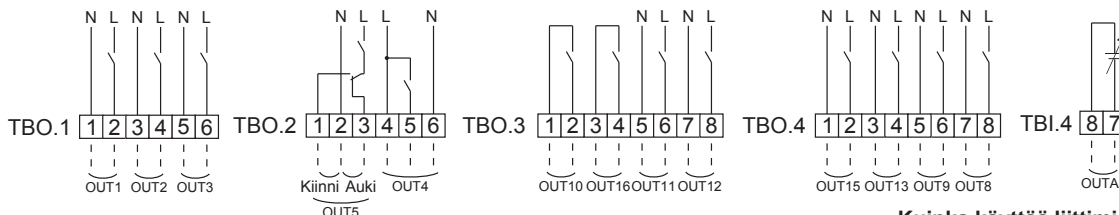
■ Lähdöt

Nimi	Riviliitin	Liitin	Nimike	OFF	ON	Signaali/maks. virta	Maks. kokonaisvirta
OUT1	TBO.1 1-2	CNP1	Vesikiertopumpun 1 lähtö (lämmitys/jäähdytys ja LV)	OFF	ON	230 V AC 1,0 A maks. (Käynnistysvirta max. 40 A)	4,0 A (a)
OUT2	TBO.1 3-4	—	Vesikiertopumpun 2 lähtö (vyöhykkeen 1 lämmitys/jäähdytys)	OFF	ON	230 V AC 1,0 A maks. (Käynnistysvirta max. 40 A)	
OUT3	TBO.1 5-6	—	Vesikiertopumpun 3 lähtö (vyöhykkeen 2 lämmitys/jäähdytys) *1 2-tieventtiin 2b lähtö *2	OFF	ON	230 V AC 1,0 A maks. (Käynnistysvirta max. 40 A)	
OUT14	—	CNP4	Vesikiertopumpun 4 lähtö (LV)	OFF	ON	230 V AC 1,0 A maks. (Käynnistysvirta max. 40 A)	3,0 A (b)
OUT4	TBO.2 4-6	CNV1	3-tieventtiin (2-tieventtiin) lähtö	Lämmitys	Lämminvesi	230 V AC 0,1 A maks.	
	—	CN851	3-tieventtiin lähtö				
OUT5	TBO.2 1-2 TBO.2 2-3	—	Sekoitusventtiin lähtö *1	Pysäytä	Kiinni Auki	230 V AC 0,1 A maks.	
OUT6	—	CNBH 1-3	Sähkölämmittimen 1 lähtö	OFF	ON	230 V AC 0,5 A maks. (rele)	
OUT7	—	CNBH 5-7	Sähkölämmittimen 2 lähtö	OFF	ON	230 V AC 0,5 A maks. (rele)	
OUT8	TBO.4 7-8	—	Jäähdytysignaalin lähtö	OFF	ON	230 V AC 0,5 A maks.	
OUT9	TBO.4 5-6	CNIH	Käyttöveden sähkölämmittimen lähtö	OFF	ON	230 V AC 0,5 A maks. (rele)	
OUT11	TBO.3 5-6	—	Vikalähtö	Normal	Vika	230 V AC 0,5 A maks.	
OUT12	TBO.3 7-8	—	Jäänpoiston lähtö	Normal	Jäänpoisto	230 V AC 0,5 A maks.	
OUT13	TBO.4 3-4	—	2-tieventtiin 2a lähtö *2	OFF	ON	230 V AC 0,1 A maks.	
OUT15	TBO.4 1-2	—	Komp. ON-signaali	OFF	ON	230 V AC 0,5 A maks.	
OUT10	TBO.3 1-2	—	Kattilan lähtö	OFF	ON	Jännitteetön kontakti ·220 - 240 V AC (30 V DC) 0,5 A tai vähemmän ·10 mA, 5 VDC tai enemmän	—
OUT16	TBO.3 3-4	—	Lämmityksen/jäähdytyksen termostaatin ON-signaali	OFF	ON		
OUTA1	TBI.4 7-8	—	Analoginen lähtö	0 - 10 V		0-10 V DC 5 mA maks.	—

Jos Riviliitin-kentässä on merkintä "—", älä liitä näihin liittimiin.

*1 2 vyöhykkeen lämpötilansäätö.

*2 2 vyöhykkeen venttiin ohjaus päälle/pois.



Johdinten tiedot ja erikseen hankittavat osat

Nimike	Nimi	Malli ja tekniset tiedot
Ulkoisen lähtötoiminto	Lähtöjohdin	Käytä suojattua vinyylijohtoa tai -kaapelia. Maks. 30 m Johdintyyppi: CV, CVS tai vastaava Johdinkoko: Kerrattu johdin 0,25 mm ² – 1,5 mm ² Säikeetön johdin: ø0,57 mm – ø1,2 mm

Kuinka käyttää liittimiä TBO.1 - 4



Kytke ne jommallakummalla yllä olevalla tavalla.

<Kuva 5.2.2>

Huomautus:

- Kun varaajyksikkö saa virran ulkoyskikön kautta, suurin kokonaisvirta (a)+(b) on 3,0 A.
- Älä liitä useita vesikiertopumpuja suoraan kuhunkin lähtöön (OUT1, OUT2 ja OUT3). Liitä ne tällaisessa tapauksessa releen/releiden kautta.
- Älä liitä vesikiertopumpuja kohteisiin TBO.1 1-2 ja CNP1 samaan aikaan.
- Liitä asianmukainen ylijännitesuoja liittimeen OUT10 (TBO.3 1-2) asennuspaikan kuorman mukaan.
- Kerrattu johdin tulee käsitellä eristeen peittämällä kiskoliittimellä (DIN46228-4-standardin mukainen tyyppi).
- Käytä samaa signaalitulojohtinta kuin OUTA1-johdotuksessa.

5.3 Johdotus 2 vyöhykkeen lämpötilansäätöä varten

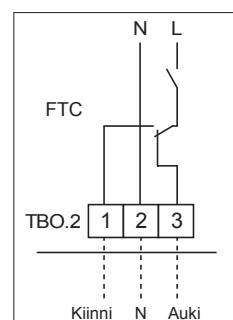
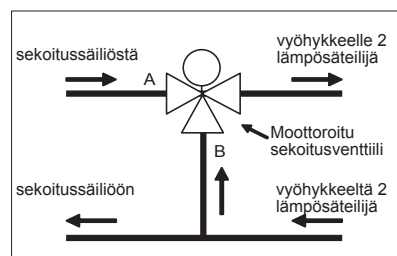
Kytke putkisto ja erikseen hankitut osat vastaavan piirikaavion mukaisesti, joka on kuvattu tämän käyttöoppaan luvussa 3 "Paikallinen järjestelmä".

<Sekoitusventtiili>

Avaa portti A (lämpimän veden tuloportti) liittämällä signaalilinja TBO-liittimeen 2-3 (auki), avaa portti B (kylmän veden tuloportti) liittämällä signaalilinja TBO-liittimeen 2-1 (kiinni) ja neutraali liitinjohdin TBO-liittimeen 2-2 (N).

<Termistori>

- Älä asenna termistoreja sekoitussäiliön päälle.
- Asenna vyöhykkeen 2 virtauslämpötilatermostori (THW8) lähelle sekoitusventtiiliä.
- Termistorin johdotuksen enimmäispituus on 30 m.
- Valinnaisten termistorien pituus on 5 m. Jos johtimia täytyy yhdistää ja jatkaa, seuraavat kohdat on suoritettava.
 - Liitä johtimet juottamalla.
 - Eristä jokainen liitoskohta pölyltä ja vedeltä.



5 Järjestelmän asetukset

5.4 Vain sisäyksikön toiminta (asennustyön aikana)

Jos LV- tai lämmitystoimintaa tarvitaan ennen ulkoyksikön liittämistä asennuksen aikana, voidaan käyttää sisäyksikön (*1) sähkölämmittintä.

*1 Vain malli, jossa on sähkölämmitin.

1. Käytön aloittaminen

- Tarkista, onko sisäyksikön virransyöttö pois päältä, ja käännä Dip-kytkimet 4-4 ja 4-5 ON-asentoon.
- Kytke sisäyksikön virransyöttö päälle.

2. Käytön lopettaminen *2

- Katkaise sisäyksikön virransyöttö.
- Käännä Dip-kytkimet 4-4 ja 4-5 OFF-asentoon.

*2 Kun vain sisäyksikön käyttö lopetetaan, muista tarkistaa asetukset, kun ulkoyksikkö on liitetty.

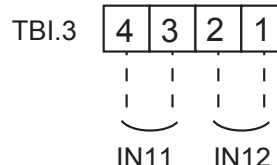
Huomautus:

Tämän toiminnon pitkäaikainen käyttö voi vaikuttaa sähkölämmittimen käyttöikään.

5.5 Älyverkko valmis

LV-käytön tai lämmitystoiminnon aikana voidaan käyttää alla olevassa taulukossa esitettyjä komentoja.

IN11	IN12	Merkitys
OFF (katkos)	OFF (katkos)	Normaali käyttö
ON (oikosulku)	OFF (katkos)	Päällekytkemissuositus
OFF (katkos)	ON (oikosulku)	Sammutuskomento
ON (oikosulku)	ON (oikosulku)	Päällekytkemiskomento



5.6 SD-muistikortin käyttäminen

Varaajayksikön FTC:ssä on SD-muistikorttiliitäntä.

Käyttämällä SD-muistikorttia voidaan yksinkertaistaa pääsääntien asetuksia ja tallentaa käyttölokeja. *1

*1 Pääsääntien asetusten muokkausta tai käyttötietojen tarkistusta varten tarvitaan Ecodan-huoltotyökalu (käytettäväksi PC:n kanssa).

<Käsittelyä koskevia varoituksia>

- (1) Käytä SD-standardia noudattavaa SD-muistikorttia. Tarkista, että SD-muistikortissa on jokin oikealla näkyvistä logoista.
- (2) SD-standardin mukaisia SD-muistikortteja ovat SD-, SDHC-, mini SD-, micro SD- ja micro SDHC-muistikortit. Kapasiteetteja on saatavana 32 Gt:uun asti. Valitse kortti, jonka suurin sallittu lämpötila on 55 °C.
- (3) Jos SD-muistikortti on mini SD-, mini SDHC-, micro SD- tai micro SDHC-kortti, käytä SD-muistikortin muunninsovitinta.
- (4) Vapautta kirjoituslaskusytkin ennen SD-muistikortille kirjoittamista.



- (5) Muista katkaista järjestelmän virta ennen SD-muistikortin asettamista tai poistamista. Jos SD-muistikortti asetetaan tai poistetaan, kun järjestelmässä on virta, tallennetut tiedot voivat vioittua tai SD-muistikortti voi vaurioitua. *SD-muistikortissa on jännite hetken aikaa, kun järjestelmän virta on katkaistu. Odota ennen asettamista tai poistamista, kunnes FTC-ohjaustaulun kaikki LED-valot ovat sammuneet.
- (6) Luku- ja kirjoitustoimenpiteet on testattu seuraavilla SD-muistikorteilla. Näitä toimenpiteitä ei kuitenkaan aina taata, sillä näiden SD-muistikorttien tekniset tiedot voivat muuttua.

- (7) Muista noudattaa SD-muistikortin valmistajan ohjeita ja vaatimuksia.
- (8) Alusta SD-muistikortti, jos se havaittiin lukeluvottomaksi vaiheessa (6). Tämä voi tehdä siitä luettavan. Lataa SD-kortin alustusohjelma seuraavasta sivustosta. SD Associationin kotisivu: <https://www.sdcard.org/home/>
- (9) FTC tukee FAT-tiedostojärjestelmää mutta ei NTFS-tiedostojärjestelmää.
- (10) Mitsubishi Electric ei vastaa mistään vahingoista kokonaan tai osittain, mukaan lukien SD-muistikortille kirjoittamisen epäonnistuminen, tallennettujen tietojen vioittuminen ja menetys tai vastaava. Varmuuskopioi tallennetut tiedot tarpeen mukaan.
- (11) Älä kosketa mitään FTC-ohjaustaulun elektronista osaa, kun asetat tai poistat SD-muistikorttia. Muuten ohjaustaulu voi vioittua.

Logot		
Kapasiteetit		
2 Gt – 32 Gt *2		
SD-nopeusluokat		
Kaikki		

- SD-logo on SD-3C, LLC:n tavaramerkki.
- mini SD-logo on SD-3C, LLC:n tavaramerkki.
- micro SD-logo on SD-3C, LLC:n tavaramerkki.

*2 2 Gt:n SD-muistikortille mahtuu enintään 30 päivän käyttölokkeja.

Valmistaja	Malli	Testausaika
Verbatim	#44015	Maa. 2012
SanDisk	SDSDB-002G-B35	Lok. 2011
Panasonic	RP-SDP04GE1K	Lok. 2011
Arvato	2GB PS8032 TSB 24nm MLC	Kes. 2012
Arvato	2GB PS8035 TSB A19nm MLC	Hei. 2014
SanDisk	SDSDUN-008G-G46	Lok. 2016
Verbatim	#43961	Lok. 2016
Verbatim	#44018	Lok. 2016
VANTASTEK	VSDHC08	Syy. 2017

Tarkista aina ennen uuden SD-muistikortin (myös yksikön mukana tulevan kortin) käyttämistä, että FTC-säädin voi turvallisesti lukea SD-muistikorttia ja kirjoittaa sille.

<Luku- ja kirjoitustoimenpiteiden tarkistaminen>

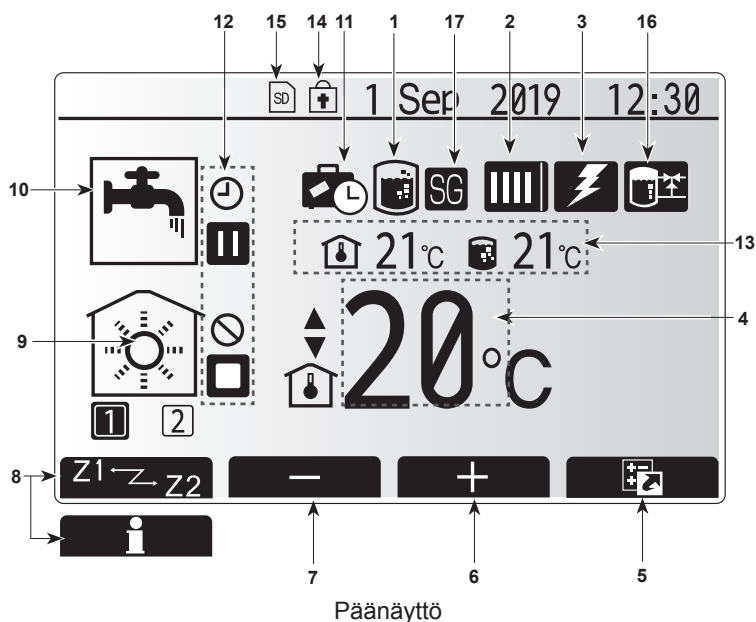
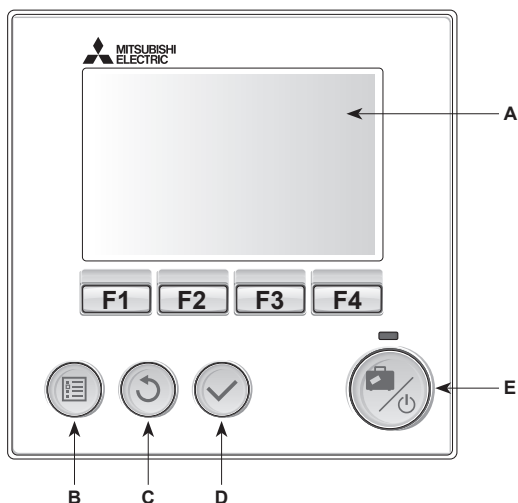
- a) Tarkista, että järjestelmän virransyöttö on kytketty oikein. Katso lisätietoja osiosta 4.5. (Älä kytke järjestelmään virtaa tässä vaiheessa.)
- b) Aseta SD-muistikortti.
- c) Kytke järjestelmään virta.
- d) LED4-lamppu syttyy, jos luku- ja kirjoitustoimenpiteiden suoritus onnistui. Jos LED4-lamppu jää vilkkumaan tai ei syty, FTC-säädin ei voi lukea SD-muistikorttia tai kirjoittaa sille.

5 Järjestelmän asetukset

5.7 Pääsädin

Muuta lämmitys-/jäähdytysjärjestelmän asetuksia pääsäätimellä, joka sijaitsee varaajayksikön tai hydroyksikön etupaneelissa. Seuraavassa on ohje pääasetusten tarkistamisesta. Jos tarvitset lisätietoja, ota yhteyttä asentajaan tai paikalliseen Mitsubishi Electric -jälleenmyyjään.

Jäähdytystila on käytettävissä vain ERS-sarjassa. Jäähdytystila ei kuitenkaan ole käytettävissä, kun sisäyksikkö on liitetty PUAZ-FRP-yksikköön.



<Pääsäätimen osat>

Kirjain	Nimi	Toiminto
A	Näyttö	Näyttö, jossa kaikki tiedot näytetään.
B	Valikko	Käytä järjestelmäasetuksia alkuasetuksesta ja muutoksia varten.
C	Takaisin	Palaa edelliseen valikkoon.
D	Vahvista	Käytä valitsemiseen tai tallentamiseen. (Enter-näppäin)
E	Virta/Loma	Jos järjestelmä on sammutettu, yksi painallus käynnistää sen. Uusi painallus, kun järjestelmä on käynnistetty, ottaa lomatilan käyttöön. Järjestelmä sammutetaan pitämällä painike painettuna 3 sekuntia. (*1)
F1-4	Toimintonäppäimet	Käytetään valikon selaamiseen ja asetusten säätämiseen. Toiminto määräytyy näytössä A näkyvän valikkonäytön mukaan.

*1 Kun järjestelmä sammutetaan tai virtalähde kytketään irti, varaajayksikön suojaustoiminnot (esim. jäätyminen estotoiminto) EIVÄT toimi. Huomaa, että jos nämä suojaustoiminnot eivät ole käytössä, varaajayksikkö saattaa altistua vaurioille.

<Päänäytön kuvakkeet>

	Kuvake	Kuvaus
1	Legionellan esto	Kun tämä kuvake näkyy, legionellan estotoiminto on aktivoitu.
2	Lämpöpumppu	Lämpöpumppu on käynnissä. Jäänpoisto. Hätälämmitys. "Hiljainen tila" on aktivoitu.
3	Sähkölämmitys	Kun tämä kuvake näkyy, sähkölämmittimet (sähkölämmitin tai uppokuumennin) ovat käytössä.
4	Tavoite- lämpötila	Tavoitevirtauslämpötila Tavoitehuonelämpötila Lämpökäyrä
5	VAIHTOEHTO	Tämän kuvakkeen alapuolella oleva toimintopainike näyttää vaihtoehtonäytön.
6	+	Nosta haluttua lämpötilaa.
7	-	Laske haluttua lämpötilaa.
8	Z1 Z2	Tämän kuvakkeen alapuolella olevan painikkeen painaminen vaihtaa vyöhykkeiden 1 ja 2 välillä. Tiedot Tämän kuvakkeen alapuolella oleva toimintopainike näyttää tietonäytön.
9	Lämmitys-/ jäähdytystila	Lämmitystila Vyöhyke 1 tai vyöhyke 2 Jäähdytystila Vyöhyke 1 tai vyöhyke 2
10	LV-tila	Normaali tai EKO-tila
11	Lomatila	Kun tämä kuvake näkyy, lomatila on aktivoitu.
12		Ajastin Kieltää Palvelinohjaus Valmiustila Valmiustila (*2) Pysäytä Toiminnassa
13	Nykyinen lämpötila	Nykyinen huonelämpötila LV-säiliön veden nykyinen lämpötila
14		Valikkopainike on lukittu tai LV- ja lämmitystoimintatilojen vaihtaminen on estetty Vaihdoehto-näytössä. (*3)
15		SD-muistikortti on asetettu. Normaali toiminta. SD-muistikortti on asetettu. Epänormaali toiminta.
16	Puskurisäiliön ohjaus	Kun tämä kuvake näkyy, puskurisäiliön ohjaus on aktivoitu.
17	Älykäs sähköverkko valmius	Kun tämä kuvake näkyy, älykäs sähköverkkovalmius on aktivoitu.

*2 Tämä yksikkö on valmiustilassa, ja muut sisäyksiköt ovat toiminnassa tärkeysjärjestyksessä.

*3 Lukitse tai avaa valikko painamalla BACK- ja VAHVISTA-näppäimiä samanaikaisesti 3 sekunnin ajan.

5 Järjestelmän asetukset

■ [Alkuasetukset]

Kun pääsäädin käynnistetään ensimmäisen kerran, näyttö siirtyy järjestyksessä automaattisesti Kieli-asetusnäyttöön, Päivämäärä/Aika-asetusnäyttöön ja Pääasetukset-valikkonäyttöön. Näppäile haluamasi numero toimintonäppäimillä ja paina VAHVISTA.

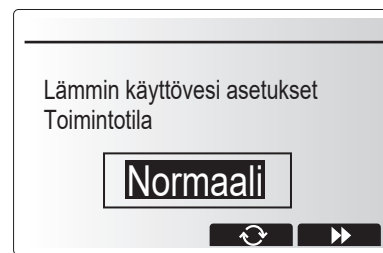
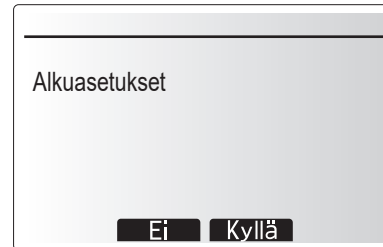
Huomaus:

<[LÄMMITTIMEN TEHORAJAUS]>

Tämä asetus rajoittaa sähkölämmittimen tehoa. Asetusta EI voi muuttaa käynnistyksen jälkeen.

Jos maassasi ei sovelleta mitään erikoisvaatimuksia (esim. rakennusmääräystä), voit hypätä tämän asetuksen yli (valitse Ei).

- [Lämminvesi (LV/Legionella)]
- [Lämmitys]
- [Käyttö (päälle/kieltaa/ajastin)]
- [Pumpun nopeus]
- [Lämpöpumpun meno virt.alue]
- [Sekoitusventtiilin ohjaus]
- [LÄMMITTIMEN TEHORAJAUS]



■ Pääasetusvalikko

Pääasetusvalikko avataan painamalla valikkopainiketta. Jotta kouluttamattomat loppukäyttäjät eivät pääse muuttamaan asetuksia vahingossa, pääasetuksilla on kaksi pääsytasoa. Huolto-osion valikko on suojattu salasanalla.

Käyttäjän taso – lyhyt painallus

Jos valikkopainiketta painetaan lyhyesti kerran, pääasetukset näytetään, mutta ilman muokkaustoimintoa. Näin käyttäjä voi tarkastella nykyisiä asetuksia, mutta EI muuttaa parametreja.

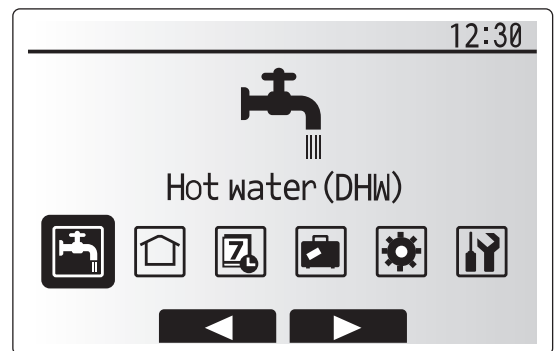
Asentajan taso – pitkä painallus

Jos valikkopainiketta painetaan 3 sekuntia, pääasetukset näytetään ja kaikki toiminnot ovat käytettävissä.

Painikkeiden ◀▶ värit vaihtuvat käänteisiksi kuten kuvassa. <Kuva 5.7.1>

Seuraavia kohteita voidaan tarkastella ja/tai muokata (pääsytason mukaan).

- [Lämmin käyttövesi (LV)]
- [Lämmitys/jäähdytys]
- [Ajastintoiminto]
- [Lomatila]
- [Alkuasetukset]
- [Huolto (suojattu salasanalla)]



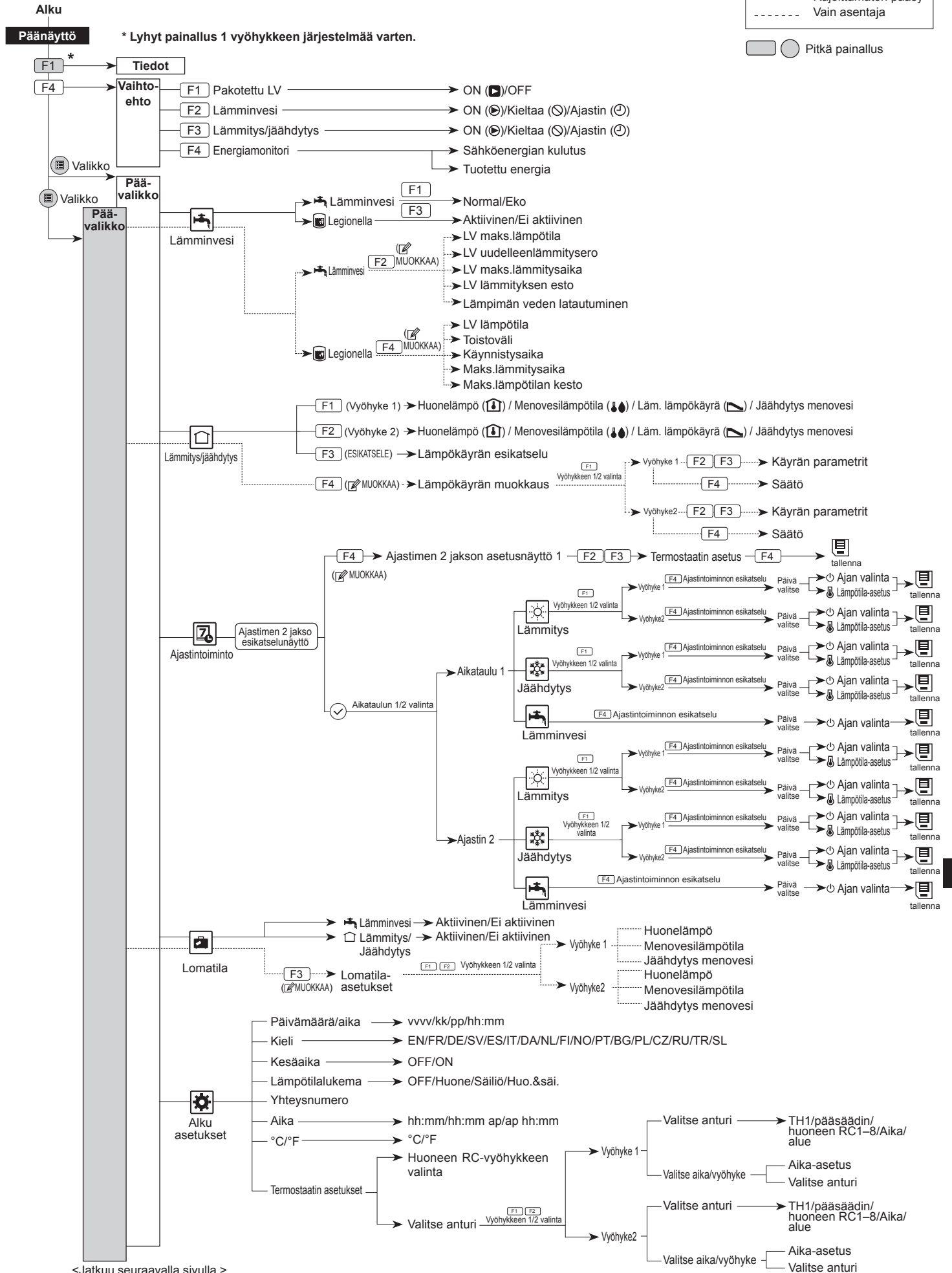
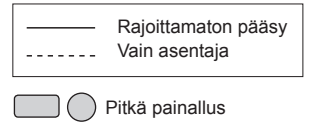
Päävalikko



<Kuva 5.7.1>

5 Järjestelmän asetukset

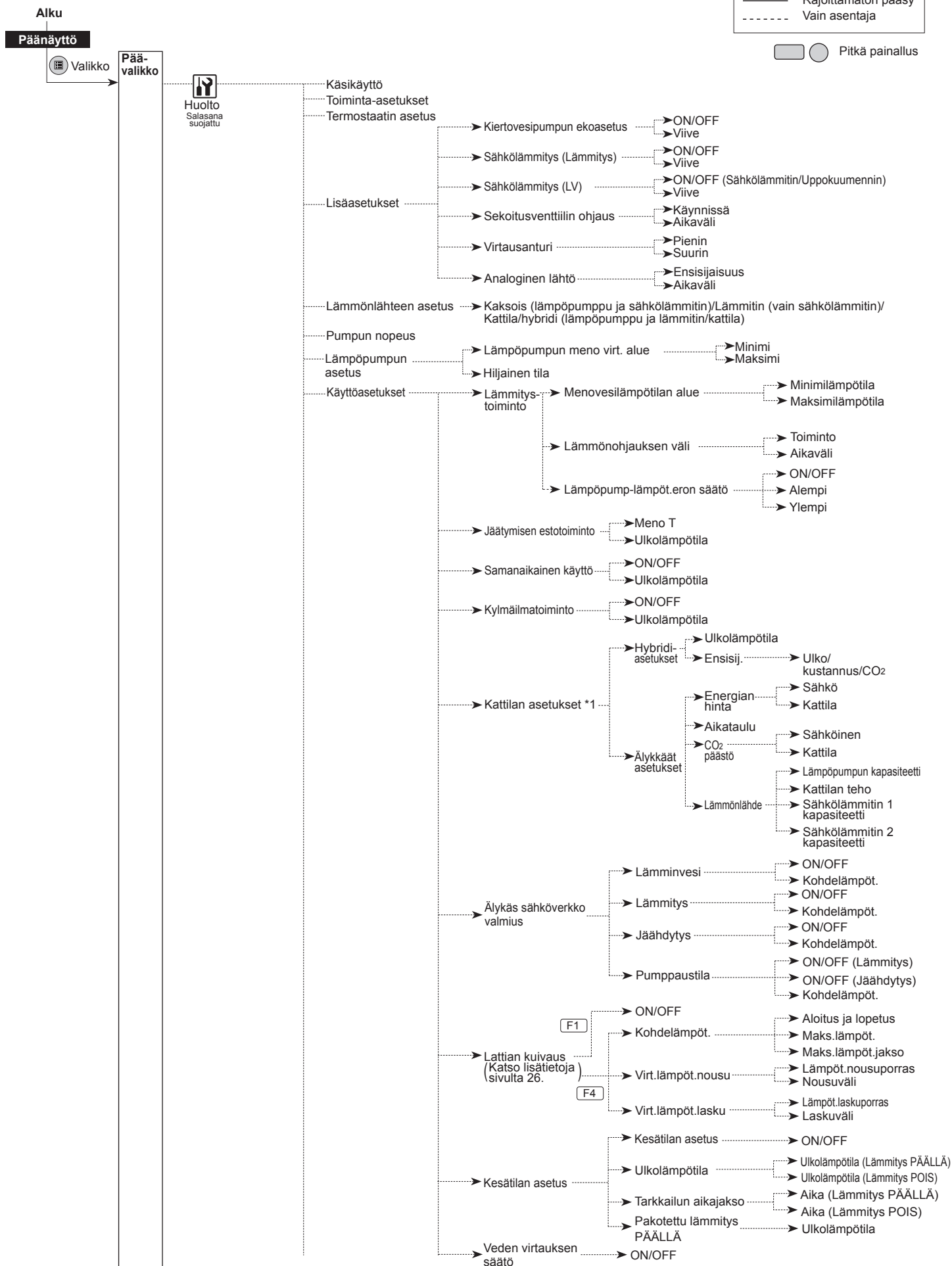
<Pääsäätimen valikkopuu>



5 Järjestelmän asetukset

<Jatkoa edelliseltä sivulta.>

<Pääsäätimen valikkopuu>



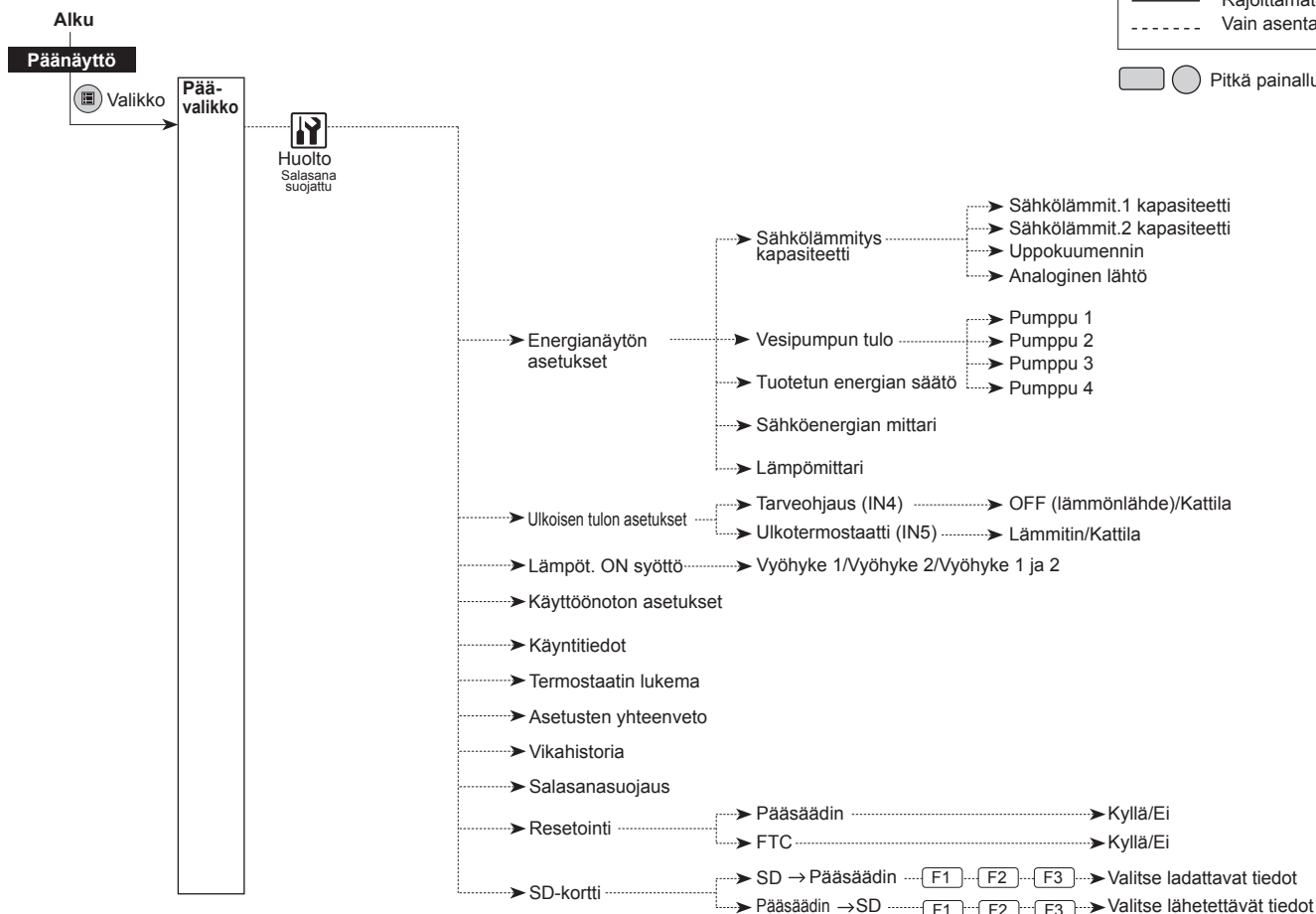
*1 Katso lisätietoja PAC-TH012HT(L)-E-asennusoppaasta.

<Jatkuu seuraavalla sivulla.>

5 Järjestelmän asetukset

<Jatkoa edelliseltä sivulta.>

<Pääsäätimen valikkopuu>

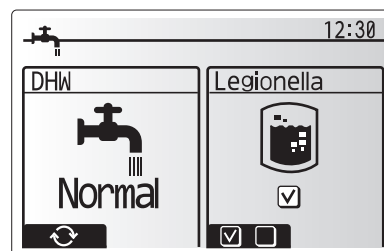


Lämmin käyttövesi (LV)/Legionellan esto

Lämpimän käyttöveden ja legionellan esto-valikot ohjaavat LV-säiliön kuumennustoimintaa.

<LV-tilan asetukset>

1. Korosta lämminvesikuvake ja paina VAHVISTA.
2. Vaihda Normaali- ja EKO-lämmitystilojen välillä painamalla painiketta F1.
3. Voit muokata tilaa painamalla MENU-painiketta 3 sekuntia ja valitsemalla sitten "kuuma vesi".
4. Avaa KUUMA VESI (LV) ASETUS -valikko painamalla F2-näppäintä.
5. Selaa valikkoa F2- ja F3-näppäimillä ja valitse kukin komponentti vuorollaan painamalla VAHVISTA. Katso kunkin asetuksen kuvaus alla olevasta taulukosta.
6. Näppäile haluamasi numero toimintonäppäimillä ja paina VAHVISTA.



Valikon alaotsikko	Toiminto	Alue	Yksikkö	Oletusarvo
LV maks.lämpötila	Varaajassa olevan lämpimän veden haluttu lämpötila	40 - 60	°C	50
LV uudelleenlämmitysero	Lämpötilaero LV:n maksimilämpötilan ja LV-tilan uudelleenkäynnistyslämpötilan välillä	5 - 30 *	°C	10
LV maks.lämmitysaika	Suurin sallittu aika varaajan veden lämmittämiseen LV-tilassa	30 - 120	min	60
LV lämmityksen esto	LV-tilan jälkeinen ajanjakso, jolloin lämmityksellä on etusija LV-tilaan, mikä tilapäisesti estää lisää veden lämmitystä (vain kun LV maks.lämmitysaika on kulunut.)	30 - 120	min	30

* Kun LV maks. lämpötila on asetettu yli 55°C:een, lämpötilan, jossa LV-tila käynnistyy uudelleen, täytyy olla alle 50°C laitteen suojaamiseksi.

<Eko-tila>

LV-tilaa voidaan käyttää joko Normal- tai Eko-tilassa. Normal-tila lämmittää LV-säiliön veden nopeammin käyttämällä lämpöpumpun koko tehoa. Eko-tilassa säiliön veden lämmitys kestää hieman kauemmin, mutta energiaa kuluu vähemmän. Tämä johtuu siitä, että lämpöpumpun toimintaa rajoitetaan FTC:n signaaleilla LV-säiliön mitatun lämpötilan perusteella.

Huomautus: Eko-tilassa säästetty todellinen energiamäärä vaihtelee ulkolämpötilan mukaan.

<[Lämpimän veden latautuminen]>

Valitse lämpimän veden määrä. Jos tarvitset paljon kuumaa vettä, valitse SUURI, mutta nostaa käyttökustannuksia.

Palaa LV/legionellan esto -valikkoon.

5 Järjestelmän asetukset

Legionellan estotoiminnon asetukset (LE-tila)

1. Valitse painikkeella F3 legionellatila aktiiviseksi KYLLÄ/EI.
2. Voit muokata legionellatoimintoa painamalla MENU-painiketta 3 sekuntia, valitsemalla "kuuma vesi" ja painamalla sitten F4-näppäintä.
3. Selaa valikkoa F1- ja F2-näppäimillä ja valitse kukin alaotsikko vuorollaan painamalla VAHVISTA. Katso kunkin asetuksen kuvaus alla olevasta taulukosta.
4. Näppäile haluamasi numero toimintinäppäimillä ja paina VAHVISTA.

Legionellan estotoiminnon aikana säiliön veden lämpötila nostetaan yli 60 °C:seen legionellabakteerikasvuston estämiseksi. On erittäin suositeltavaa tehdä tämä säännöllisin väliajoin. Tarkista paikallisista määräyksistä kuumennusten suositeltu toistoväli.

Huomautus: Jos hydroboxissa tapahtuu virhe, LE-tila ei välttämättä toimi oikein.

Valikon alaotsikko	Toiminto	Alue	Yksikkö	Oletusarvo
LV lämpötila	Varaajassa olevan lämpimän veden haluttu lämpötila	60–70	°C	65
Toistoväli	Aika LE-tilan LV-säiliön kuumennusten välillä	1–30	päivä	15
Käynnistysaika	Aika, jolloin LE-tila käynnistyy	0:00–23:00	–	03:00
Maks.lämmitysaika	Maksimiaika, jonka LE-tila saa kuumentaa LV-säiliötä	1–5	tunti	3
Maks.lämpötilan kesto	LE-tilan mukaan asetettu veden lämpötilan ajanjakso on saavutettu	1–120	min	30

Huomaa, että LE käyttää apuna sähkölämmittimiä täydentämään lämpöpumpun energiapanosta. Veden lämmittäminen pitkiä aikoja ei ole tehokasta ja nostaa käyttökustannuksia. Asentajan on harkittava huolellisesti legionellan estokäsitteilyn tarvetta kuitenkin tuhmaamatta energiaa lämmittämällä varaajassa olevaa vettä liian pitkiä aikoja. Käyttäjän tulee ymmärtää tämän ominaisuuden tärkeys.

NOUDATA AINA MAASI PAIKALLISIA JA KANSALLISIA LEGIONELLAN ESTOA KOSKEVIA OHJEITA.

[Aikuasetukset]

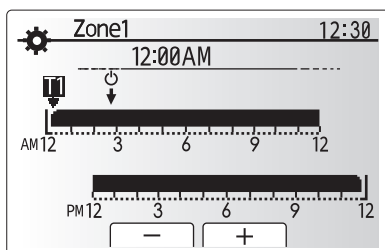
Aikuasetukset-valikossa asentaja voi asettaa seuraavat kohteet.

- [Päivämäärä/Aika] *Muista asettaa se paikalliseen aikaan.
- [Kieli]
- [Kesäaika]
- [Lämpötilalukema]
- [Yhteysnumero]
- [Aika]
- [°C/°F]
- [Termostaatin asetukset]

Tee asetukset noudattamalla Yleinen käyttö -osan ohjeita.

<[Termostaatin asetukset]>

Termostaatin asetuksissa on tärkeää valita oikea huoneanturi sen mukaan, missä lämmitystilassa järjestelmä tulee toimimaan.



Aika/alue-aikatauluasetusnäyttö

Valikon alaotsikko	Kuvaus																				
Huoneen RC-vyöhykkeen valinta	Kun 2 vyöhykkeen lämpötilansäätö on aktiivinen ja langattomia kaukosäätimiä on käytettävissä, Huoneen etäkäyttövyöhykkeen valinta -näytöstä sen vyöhykkeen numero, jolle kaukosäädin määritetään.																				
Valitse anturi	Valitse anturin valintanäytössä erikseen anturit, joita käytetään vyöhykkeen 1 ja vyöhykkeen 2 huonelämpötilan tarkkailuun. <table border="1"> <thead> <tr> <th rowspan="2">Ohjausvaihtoehto (Verkkosivun käyttöoppaasta)</th> <th colspan="2">Huoneanturin vastaavat alkuasetukset</th> </tr> <tr> <th>Vyöhyke 1</th> <th>Vyöhyke 2</th> </tr> </thead> <tbody> <tr> <td>A</td> <td>Huoneen etäkäyttö 1–8 (yksi kummallekin vyöhykkeelle 1 ja 2)</td> <td>*1</td> </tr> <tr> <td>B</td> <td>TH1</td> <td>*1</td> </tr> <tr> <td>C</td> <td>Pääsäädin</td> <td>*1</td> </tr> <tr> <td>D</td> <td>*1</td> <td>*1</td> </tr> <tr> <td>Kun käytetään eri huoneantureita ajastimen aikataulun mukaan</td> <td>Aika/alue*2</td> <td>*1</td> </tr> </tbody> </table>	Ohjausvaihtoehto (Verkkosivun käyttöoppaasta)	Huoneanturin vastaavat alkuasetukset		Vyöhyke 1	Vyöhyke 2	A	Huoneen etäkäyttö 1–8 (yksi kummallekin vyöhykkeelle 1 ja 2)	*1	B	TH1	*1	C	Pääsäädin	*1	D	*1	*1	Kun käytetään eri huoneantureita ajastimen aikataulun mukaan	Aika/alue*2	*1
Ohjausvaihtoehto (Verkkosivun käyttöoppaasta)	Huoneanturin vastaavat alkuasetukset																				
	Vyöhyke 1	Vyöhyke 2																			
A	Huoneen etäkäyttö 1–8 (yksi kummallekin vyöhykkeelle 1 ja 2)	*1																			
B	TH1	*1																			
C	Pääsäädin	*1																			
D	*1	*1																			
Kun käytetään eri huoneantureita ajastimen aikataulun mukaan	Aika/alue*2	*1																			
	*1. Ei määritely (jos käytetään erikseen hankittua huonetermostaattia) Huoneen RC 1–8 (yksi kummallekin vyöhykkeelle 1 ja 2) (jos huonetermostaattina käytetään langatonta kaukosäädintä) *2. Valitse anturin valintanäytöstä Aika/alue, jotta on mahdollista käyttää eri huoneantureita Valitse aika/vyöhyke -valikossa asetetun aikataulun mukaan. Huoneantureita voidaan vaihtaa enintään 4 kertaa 24 tunnin aikana.																				

[Huoltovalikko]

Huoltovalikossa on asentajalle tai huoltoinsinöörille tarkoitettuja toimintoja. Kodinomistajien EI ole tarkoitus muuttaa asetuksia tästä valikosta. Tästä syystä se on suojattu salasanalla, jotta huoltoasetuksia ei päästä käyttämään luvottomasti.

Tehtaan oletussalasana on "0000".

Tee asetukset noudattamalla Yleinen käyttö -osan ohjeita.

Useita toimintoja ei voi asettaa, kun sisäyksikkö on käynnissä. Asentajan täytyy sammuttaa yksikkö ennen näiden toimintojen asettamista. Jos asentaja yrittää muuttaa asetuksia, kun yksikkö on käynnissä, päässädin näyttää muistutuksen, joka kehottaa asentajaa lopettamaan toiminnan ennen jatkamista. Yksikkö lakkaa toimimasta, kun valitaan Kyllä.

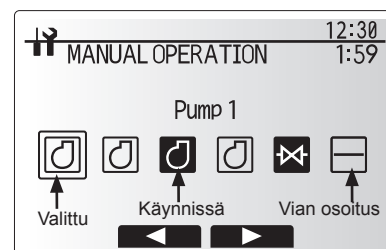
<[Käsi käyttö]>

Järjestelmän täyden aikana ensiöpiirin vesikiertopumppu ja 3-tieventiili voidaan ohittaa manuaalisesti käyttämällä käsi käyttötilaa.

Kun käsi käyttö valitaan, näyttöön ilmestyy pieni ajastinkuvake. Valittu toiminto pysyy käsi käyttötilassa enintään 2 tuntia. Tämän tarkoituksena on estää virtauslämpötilan säätimen (FTC) pysyvä ohitus epähuomiossa.

► Esimerkki

F3-painikkeen painallus vaihtaa 3-päätieventiilin käsi käyttötilan PÄÄLLE. Kun lämminvesisäiliö on täytetty, asentajan täytyy palata tähän valikkoon ja poistaa osan käsi käyttötilasta painamalla F3. Vaihtoehtoisesti 2 tunnin kuluttua käsi käyttötila ei enää ole aktiivinen, ja virtauslämpötilan säädin (FTC) jatkaa varaajajyksikön ohjausta.



Käsi käytön valikkonäyttö

5 Järjestelmän asetukset

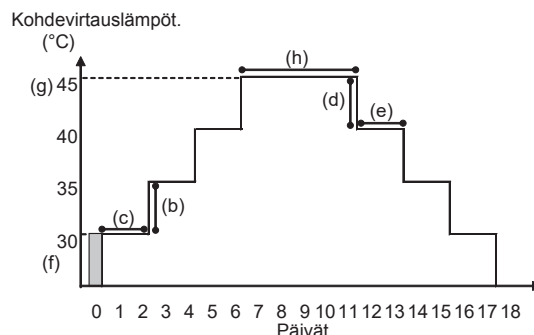
Käsitäyttöä ja lämmönlähteen asetusta ei voi valita, jos järjestelmä on käynnissä. Esiin tulee näyttö, joka pyytää asentajaa pysäyttämään järjestelmän, ennen kuin nämä tilat voidaan ottaa käyttöön. Järjestelmä pysähtyy automaattisesti, kun viimeisestä toimenpiteestä on kulunut 2 tuntia.

<Lattian kuivaustoiminto>

Lattian kuivaustoiminto muuttaa lämpimän veden tavoitelämpötilaa vaiheittain betonin kuivaamiseksi asteittain, kun tämälämpötilainen lattialämmitysjärjestelmä on asennettu.

Kun toiminto on suoritettu, järjestelmä pysäyttää kaikki toiminnot lukuun ottamatta jäätyksen estotoimintoa.

Lattian kuivaustoiminnossa vyöhykkeen 1 tavoitevirtauslämpötila on sama kuin vyöhykkeen 2.



- Tämä toiminto ei ole käytettävissä, kun on liitetty PUHZ-FRP-ulkoyksikkö.
- Irrota johdot huonetermostaatin, tarveohjauksen ja ulkotermostaatin ulkoisista tuloista, tai tavoitevirtauslämpötilaa ei ehkä ylläpidetä.

Toiminnot	Symboli	Kuvaus	Vaihtoehto/alue	Yksikkö	Oletus
Lattian kuivaustoiminto	a	Aseta toiminto päälle ja kytke järjestelmään virta pääsäätimellä, niin kuivauslämmitystoiminto käynnistyy.	ON/OFF	—	OFF
Virt.lämpöt.nousu	Virt.lämpöt.nousuporras	Asettaa tavoitevirtauslämpötilan nousuportaan.	+1 - +10	°C	+5
	Nousuväli	Asettaa jakson, jonka ajan sama tavoitevirtauslämpötila pidetään yllä.	1 - 7	päivä	2
Virt.lämpöt.lasku	Virt.lämpöt.laskuporras	Asettaa tavoitevirtauslämpötilan laskuportaan.	-1 - -10	°C	-5
	Laskuväli	Asettaa jakson, jonka ajan sama tavoitevirtauslämpötila pidetään yllä.	1 - 7	päivä	2
Kohdelämpötila	Aloitus ja lopetus	Asettaa tavoitevirtauslämpötilan toiminnon alussa ja lopussa.	20 - 60	°C	30
	Maks. kohdelämpöt.	Asettaa korkeimman tavoitevirtauslämpötilan.	20 - 60	°C	45
	Maks.lämpöt.jakso	Asettaa jakson, jonka ajan korkein tavoitevirtauslämpötila pidetään yllä.	1 - 20	päivä	5

<Salanasuojauks>

Salanasuojauksen avulla estetään kouluttamattomia henkilöitä pääsemästä luovattomasti käsiksi huoltovalikkoon.

Salasanan nollaus

Jos unohdat syöttämäsi salasanan tai huollat yksikköä, jonka joku muu on asentanut, voit palauttaa tehtaasen oletussalasanan **0000**.

1. Vieritä pääasetusvalikossa toimintoja alaspäin, kunnes Huoltovalikko on korostettu.
2. Paina VAHVISTA.
3. Sinua pyydetään antamaan salasana.
4. Pidä painikkeet F3 ja F4 yhtä aikaa painettuina 3 sekuntia.
5. Sinulta kysytään, haluatko jatkaa ja palauttaa salasanan oletusasetuksen.
6. Palauta painamalla F3.
7. Salasanaksi on nyt palautettu **0000**.

<Manuaalinen resetointi>

Jos haluat joskus palauttaa tehdasasetukset, käytä resetointitoimintoa. Huomaa, että tämä resetoi KAIKKI toiminnot tehtaasen oletusasetuksiin.



Salasanan syöttönäyttö



Salasanan varmistusnäyttö

6 Käyttöönotto

■ Käyttöönottoa edeltävät tehtävät / juomavesi-/LV-piiri

Alkutäyttö:

Varmista, että kaikki putkiliitokset ja -liittimet ovat tiiviit ja turvalliset.

Avaa kauimpana oleva LV-hana/-poisto.

Aloita yksikön ja LV-putkiston avaamalla Hitaasti / avaamaan päävedensyöttöä hitaasti/asteittain.

Anna kauimpana olevan hanan juosta vapaasta ja vapauttaa/poistaa asennuksesta jäänyt ilma.

Säilytä täytetty järjestelmä sulkemalla hana/poisto.

Huomautus: Kun käyttöveden sähkölämmitin on asennettu, **ÄLÄ** kytke lämmittimeen virtaa, ennen kuin LV-säiliö on täynnä vettä. **ÄLÄ** myöskään kytke käyttöveden sähkölämmittimeen virtaa, jos LV-säiliössä on sterilointikemikaaleja, koska se voi aiheuttaa lämmittimen ennenaikaisen vioittumisen.

Alkuhuuhtelu:

Kytke järjestelmään virta varaajayksikön sisällön lämmittämiseksi lämpötilaan 30–40 °C.

Poista asennusvaiheesta johtuvat jäämät/epäpuhtaudet huuhtelemalla/tyhjentämällä vesisisäältä. Tyhjennä lämmitetty vesi viemäriin sopivalla letkulla varaajayksikön tyhjennys-hanan avulla.

Kun olet valmis, sulje tyhjennys-hana, täytä järjestelmä uudelleen ja jatka järjestelmän käyttöönottoa.

7 Huolto ja kunnossapito

■ Vikakoodit

Koodi	Vika	Toimenpide
L3	Kiertoveden lämpötilan ylikuumenemissuoja	Virtausnopeus voi alentua, tarkista: <ul style="list-style-type: none"> • Vesivuoto • Sihdin tukkeutuminen • Vesikiertopumpun toiminto (vikakoodi voi näkyä ensiöpiirin täyttämisen aikana, täytä valmiiksi ja resetoi vikakoodi).
L4	LV-säiliön lämpötilan ylikuumenemissuoja	Tarkista uppokuumennin ja sen kontaktori.
L5	Sisäyksikön lämpötilatermistorin (THW1, THW2, THW5A, THW5B, THW6, THW7, THW8, THW9) vika	Tarkista vastus termistorin poikki.
L6	Kiertoveden jäätyminen esto	Katso kohdan L3 toimenpide.
L8	Lämmitystoiminnon virhe	Tarkista ja kiinnitä uudelleen irronneet termistorit.
L9	Virtausanturi tai virtauskytkin on havainnut ensiöpiirin alhaisen virtausnopeuden (virtauskytkimet 1, 2, 3)	Katso kohdan L3 toimenpide. Jos virtausanturi tai virtauskytkin ei toimi, vaihda se. Huomio: Pumpun venttiilit voivat olla kuumia, ole varovainen.
LA	Vika virtausanturissa	Tarkista, onko virtausanturin kaapelissa vaurioita tai löysiä liitäntöjä.
LB	Korkeapainesuoja	<ul style="list-style-type: none"> • Lämmityspiirin virtausnopeus saattaa laskea. Tarkista vesipiiri. • Levylämmönvaihdin saattaa olla tukossa. Tarkista levylämmönvaihdin. • Vika ulkoyksikössä. Katso ulkoyksikön huolto-opaasta.
LC	Kattilan kiertoveden lämpötilan ylikuumenemissuoja	Tarkista, ylittääkö kattilan lämmityksen asetuslämpötila rajoituksen. (Katso termistorien opas "PAC-TH012HT-E") Kattilasta tulevan lämmityspiirin virtausnopeus saattaa laskea. Tarkista <ul style="list-style-type: none"> • vesivuoto, • sihdin tukkeutuminen • vesikiertopumpun toiminta.
LD	Kattilan lämpötilatermistorin (THWB1) vika	Tarkista vastus termistorin poikki.
LE	Kattilatoiminnon virhe	Katso kohdan L8 toimenpide. Tarkista kattilan tila.
LF	Virtausanturin vika	Tarkista, onko virtausanturin kaapelissa vaurioita tai löysiä liitäntöjä.
LH	Kattilan kiertoveden jäätyminen esto	Kattilasta tulevan lämmityspiirin virtausnopeus saattaa laskea. Tarkista <ul style="list-style-type: none"> • vesivuoto • sihdin tukkeutuminen • vesikiertopumpun toiminta.
LJ	LV-toiminnan virhe (ulkoisen levyn tyyppi HEX)	<ul style="list-style-type: none"> • Tarkista, onko lämminvesisäiliön veden alempi lämpötilatermistori (THW5B) irronnut. • Puhtaan veden piirin virtausnopeus saattaa laskea. • Tarkista vesikiertopumpun toiminta. (ensiö / puhdas vesi)
LL	FTC-ohjaustaulun Dip-kytkimien asetusvirheet	Tarkista kattilan toimintaa varten, että Dip SW1-1 on asennossa ON (kattilan kanssa) ja Dip SW2-6 on asennossa ON (sekoitussäiliön kanssa). Tarkista 2 vyöhykkeen lämpötilan ohjausta varten, että Dip SW2-7 on asennossa ON (2 vyöhykettä) ja Dip SW2-6 on asennossa ON (sekoitussäiliön kanssa).
LP	Ulkolämpöpumpputyksikkö veden virtausnopeusalueen ulkopuolella	Tarkista asennus taulukosta 4.3.1 Tarkista kaukosäätimen asetukset (huoltovalikko / lämpöpumpun meno virt. alue) Katso kohdan L3 toimenpide.
P1	Termistorin (huonelämpöt.) (TH1) vika	Tarkista vastus termistorin poikki.
P2	Termistorin (kylmäainesteen lämpöt.) (TH2) vika	Tarkista vastus termistorin poikki.
P6	Levylämmönvaihtimen jäätyminenestosuojaus	Katso kohdan L3 toimenpide. Tarkista, että kylmäainetta on oikea määrä.
J0	Tiedonsiirtovirhe FTC:n ja langattoman vastaanottimen välillä.	Tarkista, onko liitäntäkaapelissa vaurioita tai löysiä liitäntöjä.
J1–J8	Tiedonsiirtovirhe langattoman vastaanottimen ja langattoman kaukosäätimen välillä	Tarkista, ettei langattoman kaukosäätimen paristo ole tyhjä. Tarkista laiteyhteys langattoman vastaanottimen ja langattoman kaukosäätimen välillä. Testaa langaton tiedonsiirto. (Katso langattoman järjestelmän opas)
E0–E5	Tiedonsiirtovirhe pääsäätimen ja FTC:n välillä	Tarkista, onko liitäntäkaapelissa vaurioita tai löysiä liitäntöjä.
E6–EF	Tiedonsiirtovirhe FTC:n ja ulkoyksikön välillä	Tarkista, ettei ulkoyksikköä ole sammutettu. Tarkista, onko liitäntäkaapelissa vaurioita tai löysiä liitäntöjä. Katso ulkoyksikön huolto-opas.
E9	Ulkoyksikkö ei vastaanota signaalia sisäyksiköltä.	Tarkista, että molemmat yksiköt on kytketty päälle. Tarkista, onko liitäntäkaapelissa vaurioita tai löysiä liitäntöjä. Katso ulkoyksikön huolto-opas.
EE	Yhdistelmävirhe virtauslämpötilan (FTC) säätimen ja ulkoyksikön välillä	Tarkista virtauslämpötilan (FTC) säätimen ja ulkoyksikön välinen yhdistelmä.
U*, F*	Ulkoyksikön vika	Katso ulkoyksikön huolto-opas.
A*	M-NET-tiedonsiirtovirhe	Katso ulkoyksikön huolto-opas.

Huomautus: Peruuta vikakoodit sammuttamalla järjestelmä (paina pääsäätimen painiketta F4(RESET)).

7 Huolto ja kunnossapito

■ Vuosihuolto

On erittäin tärkeää, että pätevä henkilö huoltaa varaajayksikön vähintään kerran vuodessa. Kaikki tarvittavat varaosat täytyy ostaa Mitsubishi Electric -yhtiöltä. ÄLÄ koskaan ohita suojalaitteita tai käytä yksikköä, jos ne eivät ole täysin toimintakunnossa. Katso lisätietoja huolto-oppaasta.

Huomautus

- Kun asennuksesta on kulunut pari kuukautta, irrota ja puhdista varaajayksikön sihti sekä lisäsuodattimet, joita mahdollisesti on asennettu varaajayksikön ulkopuolelle. Tämä on erityisen tärkeää, kun asennus tehdään vanhaan tai olemassa olevaan järjestelmään.
- Varoventtiili (PRV) sekä lämpötila- ja varoventtiili (T&P) (nrot 8, 20 ja 21 kuvassa 3.1) täytyy tarkistaa vuosittain kääntämällä nuppia käsin, niin että aine purkautuu puhdistaan tiivisteistukan.

Vuosihuollon lisäksi eräät osat täytyy vaihtaa tai tarkastaa, kun järjestelmää on käytetty tietty aika. Katso tarkempia ohjeita alla olevista taulukoista. Osien vaihto ja tarkastus tulee aina antaa asianmukaisesti koulutetun, pätevän henkilön tehtäväksi.

Säännöllistä vaihtoa vaativat osat

Osat	Vaihtoväli	Mahdolliset viat
Varoventtiili (PRV) Painemittari Tulo-ohjausryhmä (ICG)*	6 vuotta	Vesivuoto

* VALINNAISET OSAT Isossa-Britanniassa

Säännöllistä tarkastusta vaativat osat

Osat	Tarkistusväli	Mahdolliset viat
Varoventtiili (3 baaria) Lämpötila- ja varoventtiili	1 vuosi (kääntämällä nuppia käsin)	Varoventtiili jumittuisi ja paisunta-astia halkeaisi
Uppokuumennin	2 vuotta	Vikavirta, joka saa katkaisimen aktivoitumaan (lämmitin on aina OFF)
Vesikiertopumppu (Ensiöpiiri)	20 000 h (3 vuotta)	Vesikiertopumpun vika

Osat, joita EI saa käyttää uudelleen huollettaessa

- * O-rengas
- * Tiiviste

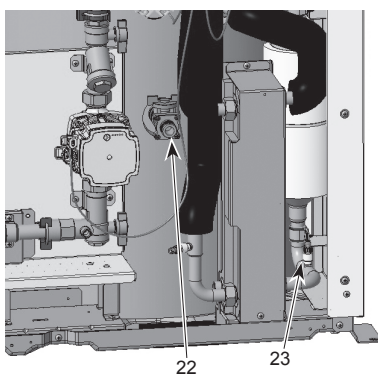
Huomautus

- Vaihda aina pumpun tiiviste uuteen jokaisen määräaikaishuollon yhteydessä (20 000 käyttötunnin tai 3 vuoden välein).

<Varaajayksikön ja sen puhtaan veden lämmityspiirin (paikallinen) tyhjentäminen>

VAROITUS: TYHJENNETÄVÄ VESI VOI OLLA HYVIN KUUMAA

1. Ennen varaajayksikön tyhjentämistä eristä se virransyötöstä, jotta uppokuumennin ja sähkölämmittimet eivät pala rikki.
2. Eristä lämminvesisäiliön kylmän veden syöttö.
3. Aloita tyhjennys ilman alipainetta avaamalla kuumavesihana.
4. Kiinnitä letku lämminvesisäiliön tyhjennyshanoihin (nrot 22 ja 23 kuvassa 7.1). Letkun täytyy kestää kuumuutta, sillä poistettava vesi voi olla hyvin kuumaa. Imun parantamiseksi letku täytyy laskea paikkaan, joka on lämminvesisäiliön pohjaa alempana. Aloita tyhjennys avaamalla tyhjennyshana.
5. Kun lämminvesisäiliö on tyhjennetty, sulje tyhjennyshana ja kuumavesihana.
6. Kiinnitä letku ensiöpiirin tyhjennyshanaan (nro 6 kuvassa 3.1). Letkun täytyy kestää kuumuutta, sillä poistettava vesi voi olla hyvin kuumaa. Imun parantamiseksi letku täytyy laskea paikkaan, joka on tyhjennyshanaa alempana. Avaa pumpun venttiilit ja siiviläventtiilit.
7. Sihdissä on vettä vielä varaajayksikön tyhjentämisen jälkeenkin.
Tyhjennä sihti irrottamalla sihdin suojus.



<Kuva 7.1>

7 Huolto ja kunnossapito

■ Insinööriromakkeet

Jos oletusasetuksia muutetaan, kirjoita uusi asetus muistiin Paikallinen asetus -sarakeeseen. Tämä helpottaa asetusten palauttamista myöhemmin, jos järjestelmän käyttö muuttuu tai piirilevy täytyy vaihtaa.

Käyttöönoton/paikallisten asetusten kirjauslomake

Pääsäätimen näyttö		Parametrit	Oletusasetus	Paikallinen asetus	Huomautukset		
Pää	Vyöhykkeen 1 huonelämpötila		10°C – 30°C	20°C			
	Vyöhykkeen 2 huonelämpötila *12		10°C – 30°C	20°C			
	Vyöhykkeen 1 menoveden lämpötila		20°C – 60°C	45°C			
	Vyöhykkeen 2 menoveden lämpötila *1		20°C – 60°C	35°C			
	Vyöhykkeen 1 jäähdytysmenoveden lämpötila *13		5°C – 25°C	15°C			
	Vyöhykkeen 2 jäähdytysmenoveden lämpötila *13		5°C – 25°C	20°C			
	Vyöhykkeen 1 lämmityksen lämpökäyrä		-9°C – + 9°C	0°C			
	Vyöhykkeen 2 lämmityksen lämpökäyrä *1		-9°C – + 9°C	0°C			
	Lomatila		Aktiivinen/Ei aktiivinen/Aseta aika	—			
Vaihtoehto	Pakotettu lämminvesitoiminta		On/Off	—			
	Lämminvesi		On/Off/Ajastin	On			
	Lämmitys/Jäähdytys *13		On/Off/Ajastin	On			
	Energianäyttö		Sähköenergian kulutus / tuotettu energia	—			
Asetus	Lämminvesi	Toimintotila	Normaali/Eko *15	Normaali			
		Lämpimän veden maks. lämpötila	40°C – 60°C *2	50°C			
		Lämpimän veden lämpötilan lasku	5°C – 30°C	10°C			
		Lämpimän veden maks. lämmitysaika	30 – 120 min	60 min			
		Lämpimän veden lämmityksen esto	30 – 120 min	30 min			
		Lämpimän veden latautuminen	Suuri/kaksois	Kaksois			
		Legionellan esto	Aktiivinen	Kyllä/Ei	Kyllä		
			LV lämpötila	60°C – 70°C *2	65°C		
			Toistoväli	1 – 30 päivää	15 päivää		
	Käynnistysaika		00:00 – 23:00	03:00			
	Maks. lämmitysaika		1 – 5 tuntia	3 tuntia			
	Maksimilämpötilan kesto		1 – 120 min	30 min			
	Lämmitys/Jäähdytys *13	Vyöhykkeen 1 toimintotila		Huonelämpötila/ Menovesilämpötila/ Lämmityksen lämpökäyrä/Jäähdytysmenoveden lämpötila	Huonelämpötila		
		Vyöhykkeen 2 toimintotila *1		Huonelämpötila/ Menoveden lämpötila/ Lämmityksen lämpökäyrä/Jäähdytysmenoveden lämpötila	Lämpökäyrä		
	Lämpökäyrä	Korkean virtauslämpötilan asetusarvo	Vyöhykkeen 1 ulkolämpötila	-30°C – +33°C *3	-15°C		
			Vyöhykkeen 1 virtauslämpötila	20°C – 60°C	50°C		
			Vyöhykkeen 2 ulkolämpötila *1	-30°C – +33°C *3	-15°C		
			Vyöhykkeen 2 virtauslämpötila *1	20°C – 60°C	40°C		
			Matalan virtauslämpötilan asetusarvo	Vyöhykkeen 1 ulkolämpötila	-28°C – +35°C *4	35°C	
				Vyöhykkeen 1 virtauslämpötila	20°C – 60°C	25°C	
		Vyöhykkeen 2 ulkolämpötila *1		-28°C – +35°C *4	35°C		
		Vyöhykkeen 2 virtauslämpötila *1		20°C – 60°C	25°C		
		Säädä		Vyöhykkeen 1 ulkolämpötila	-29°C – +34°C *5	—	
				Vyöhykkeen 1 virtauslämpötila	20°C – 60°C	—	
			Vyöhykkeen 2 ulkolämpötila *1	-29°C – +34°C *5	—		
			Vyöhykkeen 2 virtauslämpötila *1	20°C – 60°C	—		
	Lomatila	Lämminvesi		Aktiivinen/Ei aktiivinen	Ei aktiivinen		
Lämmitys/Jäähdytys *13		Aktiivinen/Ei aktiivinen	Aktiivinen				
Vyöhykkeen 1 huonelämpötila		10°C – 30°C	15°C				
Vyöhykkeen 2 huonelämpötila *12		10°C – 30°C	15°C				
Vyöhykkeen 1 menoveden lämpötila		20°C – 60°C	35°C				
Vyöhykkeen 2 menoveden lämpötila *1		20°C – 60°C	25°C				
Vyöhykkeen 1 jäähdytysmenoveden lämpötila *13		5°C – 25°C	25°C				
Vyöhykkeen 2 jäähdytysmenoveden lämpötila *13		5°C – 25°C	25°C				
Alkuasetukset		Kieli		EN/FR/DE/SV/ES/IT/DA/NL/FI/NO/PT/BG/PL/CZ/RU/TR/SL	EN		
		°C/°F		°C/°F	°C		
	Kesäaika		On/Off	Off			
	Lämpötilalukema		Huone/Lämminvesisäiliö/Huo.&LV-säi./Off	Off			
	Aika		tt:mm/tt:mm ap/ap tt:mm	tt:min			
	Vyöhykkeen 1 termostaatin asetukset		TH1/Pääsäädin/Etäkäyttö 1–8/"Aika/vyöhyke"	TH1			
	Vyöhykkeen 2 termostaatin asetukset *1		TH1/Pääsäädin/Etäkäyttö 1–8/"Aika/vyöhyke"	TH1			
	Huoneen RC-vyöhykkeen valinta *1		Vyöhyke 1/Vyöhyke 2	Vyöhyke 1			
	Huoltovalikko	Termistorin asetus	THW1	-10°C – +10°C	0°C		
			THW2	-10°C – +10°C	0°C		
THW5A			-10°C – +10°C	0°C			
THW5B			-10°C – +10°C	0°C			
THW6			-10°C – +10°C	0°C			
THW7			-10°C – +10°C	0°C			
THW8			-10°C – +10°C	0°C			
THW9			-10°C – +10°C	0°C			
THW10			-10°C – +10°C	0°C			
THWB1			-10°C – +10°C	0°C			
Lisäasetukset		Kiertovesipumpun ekoasetus.		On/Off *6	On		
				Viive (3–60 min)	10 min		
		Sähkölämmitin (Lämmitys)		Tilalämmitys: On (käytössä) / Off (ei käytössä)	On		
				Sähkölämmittimen viiveajastin (5–180 min)	30 min		
		Sähkölämmitin (Lämminvesi)	Sähkölämmitin	Lämminvesi: On (käytössä) / Off (ei käytössä)	On		
				Uppokuumennin	Lämminvesi: On (käytössä) / Off (ei käytössä)	On	
				Sähkölämmittimen viiveajastin (15 – 30 min)	15 min		
Sekoitusventtiilin ohjaus		Käynnissä (10 – 240 s)	120 s				
Virtausanturi *17		Aikaväli (1 – 30 min)	2 min				
		Minimi (0 – 100 L/min)	5 L/min				
		Maksimi (0 – 100 L/min)	100 L/min				
Analoginen lähtö		Aikaväli (1 – 30 min)	5 min				
		Ensisijaisuus (Normaali/Korkea)	Normaali				

(Jatkuu seuraavalla sivulla.)

7 Huolto ja kunnossapito

■ Insinööriomakkeet

Käyttöönnoton/paikallisten asetusten kirjauslomake (jatkoa edelliseltä sivulta)

Pääsäätimen näyttö			Parametrit	Oletusasetus	Paikalinen asetus	Huomautukset		
Asetus	Huoltovalikko	Pumpun nopeus	Lämminvesi	Pumpun nopeus (1 – 5)	5			
			Lämmitys/Jäähdytys	Pumpun nopeus (1 – 5)	5			
		Lämmönlähteen asetus		Kaksois/Lämmitin/Kattila/Hybridi *7	Kaksois			
		Lämpöpumpun asetus	Lämpöpumpun meno virt. alue	Minimi (0 – 100 L/min)	5 L/min			
			Hiljainen tila	Maksimi (0 – 100 L/min)	100 L/min			
				Päivä (maa-sun)	—			
				Aika	0.00 – 23.45			
				Hiljaisuustaso (Normaali/Taso1/Taso2)	Normaali			
		Käyttöasetukset	Lämmitystoiminto *8	Menoveden lämpötilan alue *10	Minimilämpöt. (20 – 45°C)	30°C		
					Maksimilämpöt. (35 – 60°C)	50°C		
				Huonelämpötilan ohjaus *14	Toiminto (Normaali/Voimakas)	Normaali		
				Lämpöpump-lämpöt.eron säätö	Aikaväli (10 – 60 min)	10 min		
					On/Off *6	On		
					Alaraja (–9 – –1°C)	–5°C		
					Yläraja (+3 – +5°C)	5°C		
				Jäätymisen estotoiminto *11	Ulkolämpötila (3 – 20°C) / **	5°C		
				Samanaikainen käyttö (Lämminvesi/lämmitys)	On/Off *6	Off		
					Ulkolämpötila (–30 – +10°C) *3	–15°C		
				Kylmäilmatoiminto	On/Off *6	Off		
					Ulkolämpötila (–30 – –10°C) *3	–15°C		
				Kattilan toiminta	Hybridiasetukset	Ulkolämpötila (–30 – +10°C) *3	–15°C	
						Ensisijaisuustila (Ulkolämpötila/Kustannus/CO ₂) *16	Ulkolämpötila	
						Ulkolämpötilan nousu (+1 – +5°C)	+3°C	
					Älykkäät asetukset	Energian hinta *9	Sähkö (0,001 – 999 €/kWh)	0,5 €/kWh
							Kattila (0,001 – 999 €/kWh)	0,5 €/kWh
						CO ₂ -päästö	Sähkö (0,001 – 999 kg -CO ₂ /kWh)	0,5 kg -CO ₂ /kWh
							Kattila (0,001 – 999 kg -CO ₂ /kWh)	0,5 kg -CO ₂ /kWh
						Lämmönlähde	Lämpöpumpun kapasiteetti (1 – 40 kW)	11,2 kW
							Kattilan teho (25 – 150 %)	80%
							Sähkölämmittimen 1 kapasiteetti (0 – 30 kW)	2 kW
							Sähkölämmittimen 2 kapasiteetti (0 – 30 kW)	4 kW
				Älykäs sähköverkko valmius	Lämminvesi	On/Off	Off	
						Kohdelämpöt. (+1– +20°C) / -- (Ei aktiivinen)	--	
					Lämmitys	On/Off	Off	
						Kohdelämpöt.	Päällekytkemissuositus (20 – 60°C)	50°C
							Päällekytkemiskomento (20 – 60°C)	55°C
					Jäähdytys	On/Off	Off	
						Kohdelämpöt.	Päällekytkemissuositus (5 – 25°C)	15°C
							Päällekytkemiskomento (5 – 25°C)	10°C
					Pumppaustila	Lämmitys (On/Off)	On	
				Jäähdytys (On/Off)	On			
				Aikaväli (10 – 120 min)	10 min			
		Lattian kuivaustoiminto		On/Off *6	Off			
				Kohdelämpöt.	Aloitus ja lopetus (20 – 60°C)	30°C		
					Maks. lämpöt. (20 – 60°C)	45°C		
					Maks.lämpöt.jakso (1 – 20 päivää)	5 päivää		
					Lämpöt.nousuporras (+1 – +10°C)	+5°C		
					Nousuväli (1 – 7 päivää)	2 päivää		
					Lämpöt.laskuporras (–1 – –10°C)	–5°C		
					Laskuväli (1 – 7 päivää)	2 päivää		
		Kesätilan asetus		On/Off	Off			
				Ulkolämpötila	Lämmitys PÄÄLLÄ (4 – 19°C)	10°C		
					Lämmitys POIS (5 – 20°C)	15°C		
				Tarkkailun aikajakso	Lämmitys PÄÄLLÄ (1 – 48 tuntia)	6 tuntia		
					Lämmitys POIS (1 – 48 tuntia)	6 tuntia		
					Pakotettu lämmitys PÄÄLLÄ (–30 – 10°C)	5°C		
		Veden virtauksen säätö		On/Off	Off			

(Jatkuu seuraavalla sivulla.)

7 Huolto ja kunnossapito

■ Insinöörilomakkeet

Käyttöönoton/paikallisten asetusten kirjauslomake (jatkoa edelliseltä sivulta)

Pääsäätimen näyttö		Parametrit		Oletusasetus	Paikalinen asetus	Huomautukset
Huoltovalikko	Energianäytön asetukset	Sähkölämmittimen kapasiteetti	Sähkölämmit.1 kapasiteetti	0 – 30 kW	2 kW	
			Sähkölämmit.2 kapasiteetti	0 – 30 kW	4 kW	
			Uppokuumentimen kapasiteetti	0 – 30 kW	0 kW	
			Analoginen lähtö	0 – 30 kW	0 kW	
			Tuotetun energian säätö	-50 – +50%	0%	
		Vesipumpun tulo	Pumppu 1	0–200 W tai ***(tehdasaseteinen pumppu)	***	
			Pumppu 2	0–200 W	0 W	
			Pumppu 3	0–200 W	0 W	
			Pumppu 4	0–200 W	72 W	
		Sähköenergiamittari	0,1/1/10/100/1000 pulssia/kWh	1 pulssi/kWh		
		Lämpömittari	0,1/1/10/100/1000 pulssia/kWh	1 pulssi/kWh		
		Ulkoisen tulon asetukset	Tarveohjaus (IN4)	Lämmönlähde POIS / kattilan toiminta	Kattilan toiminta	
			Ulkotermostaatti (IN5)	Lämmittimen toiminta / kattilan toiminta	Kattilan toiminta	
		Lämpöt. ON syöttö		Vyöhyke 1/Vyöhyke 2/Vyöhyke 1 ja 2	Vyöhyke 1 ja 2	

*1 Vyöhykkeeseen 2 liittyviä asetuksia voidaan vaihtaa vain, kun 2 vyöhykkeen lämpötilanohjaus on käytössä (DIP-kytkimet SW2-6 ja SW2-7 ovat ON-asennossa).

*2 Jos mallissa ei ole sähkölämmittintä eikä uppokuumentinta, se ei välttämättä saavuta asetustilaa ulkolämpötilan mukaan.

*3 Alaraja on -15°C yhdistetyn ulkoyksikön mukaan.

*4 Alaraja on -13°C yhdistetyn ulkoyksikön mukaan.

*5 Alaraja on -14°C yhdistetyn ulkoyksikön mukaan.

*6 On: toiminto on aktiivinen; Off: toiminto ei ole aktiivinen.

*7 Kun DIP-kytkin SW1-1 on OFF-asennossa (ILMAN kattilaa) tai SW2-6 on OFF-asennossa (ILMAN sekoitussäiliötä), vaihtoehtoa Kattila tai Hybridi ei voi valita.

*8 Voimassa ainoastaan toimittaessa huonelämpötilan ohjaustilassa.

9 "" merkinnässä "*/kWh" tarkoittaa valuuttayksikköä (esim. € tai £ tms.)

*10 Voimassa ainoastaan toimittaessa huoneen lämmityslämpötilassa.

*11 Jos valitaan tähti (**), jäätymisen estotoiminto poistetaan käytöstä. (ts. ensiöveden jäätymisvaara)

*12 Vyöhykkeeseen 2 liittyviä asetuksia voidaan vaihtaa vain, kun 2 vyöhykkeen lämpötilanohjaus tai 2 vyöhykkeen venttiilin ON/OFF-ohjaus on aktivoitu.

*13 Jäähdytystilan asetukset ovat käytettävissä vain ER-mallissa.

*14 Kun DIP-kytkin SW5-2 asetetaan OFF-tilaan, toiminto on aktiivinen.

*15 Kun varaajayksikkö kytketään PUMY-P-ulkoysikköön, tila on kiinteästi "Normaali".

*16 Kun varaajayksikkö kytketään PUMY-P-ulkoysikköön, tila on kiinteästi "Ulkolämpötila".

*17 Älä muuta asetusta, koska se on asetettu varaajayksikköön kiinnitetyn virtausanturin tietojen mukaan.

1. Varnostna obvestila.....	2
2. Uvod.....	3
3. Tehnične informacije.....	4
4. Namestitev.....	10
4.1 Lokacija.....	10
4.2 Kakovost vode in priprava sistema.....	11
4.3 Vodovodni cevovod.....	11
4.4 Električni priključki.....	14
5. Nastavitev sistema.....	16
5.1 Funkcije stikala DIP.....	16
5.2 Povezovanje vhodov/izhodov.....	17
5.3 Ožičenje za 2-consko uravnavanje temperature.....	18
5.4 Delovanje samo notranje enote (med namestitvenimi deli)....	19
5.5 Pametno omrežje.....	19
5.6 Uporaba pomnilniške kartice SD.....	19
5.7 Glavni daljinski krmilnik.....	20
6. Zagon.....	26
7. Servis in vzdrževanje.....	27

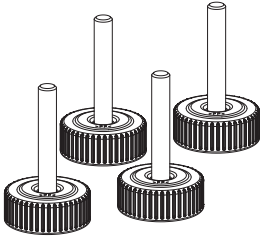
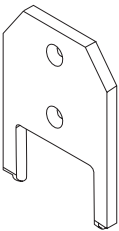
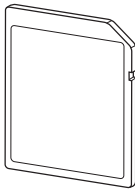



<http://www.mitsubishielectric.com/ldg/ibim/>

Za več informacij, ki niso zapisane v tem priročniku, pojdite na zgornjo spletno stran in prenesite priročnike, izberite ime modela, nato izberite jezik.

Vsebina spletnega priročnika

- Pregled porabe
- Sestavni deli (podrobnosti)
- Shema vodnega krogotoka (170 L)
- Prostorski termostat
- Polnjenje sistema
- Preprost 2-conski sistem
- Neodvisni vir električne energije
- Pametna omrežja
- Možnosti daljinskega krmilnika
- Servisni meni (posebna nastavitvev)
- Dodatne informacije

Dodatki (vključeni)			
Nastavljive noge	Orodje za potopni grelec	Pomnilniška kartica SD	Bakrena puša cevi za STV
	Samo model EHPT20X-MHEDW 		
4	1	1	2

Okrajšave in glosar

Št.	Okrajšave/beseda	Opis
1	Način kompenzacijske krivulje	Ogrevanje prostora s pomočjo kompenzacije za zunanjo okoliško temperaturo
2	COP	Koeficient zmogljivosti (Coefficient of Performance), zmogljivost toplotne črpalke
3	Enota bojlerja	Rezervoar DHW za notranjo uporabo in komponente vodovodne napeljave
4	Način DHW	Način gretja z vročo vodo za prhe, umivalnike itd.
5	Temperatura toka	Temperatura, ki jo ima voda, dovedena v primarni krogotok
6	Funkcija preprečevanja zamrzovanja	Rutina nadzorovanja ogrevanja, s katero se prepreči zamrzovanje cevi
7	FTC	Krmilnik temperature toka (Flow temperature controller), tj. vezje, ki nadzoruje sistem
8	Način ogrevanja	Ogrevanje prostora z radiatorji ali talnim ogrevanjem
9	Legionella	Bakterija, ki se jo lahko najde v vodovodni napeljavi, prhah in vodnih rezervoarjih in lahko povzroči legionarsko bolezen
10	Način LP	Način za preprečevanje Legionelle (Legionella prevention) – funkcija sistemov z vodnimi rezervoarji, s katero se preprečuje razmnoževanje bakterije Legionella
11	Pakirani model	Ploščni toplotni izmenjevalnik (hladilno sredstvo – voda) toplotne črpalke zunanje enote
12	PRV	Razbremenilni ventil (Pressure relief valve)
13	Temperatura povratnega toka	Temperatura, ki jo ima voda, dovedena iz primarnega krogotoka
14	Razdeljeni model	Ploščni toplotni izmenjevalnik (hladilno sredstvo – voda) v notranji enoti
15	TRV	Termostatski radiatorski ventil (Thermostatic radiator valve) – ventil na vhodu ali izhodu plošče radiatorja za nadzor grelne izhodne moči
16	Način hlajenja	Hlajenje prostora z navoji ventilatorjev ali podtalnim hlajenjem

1 Varnostna obvestila

Pozorno preberite naslednje previdnostne ukrepe.





⚠ OPOZORILO:
Upoštevajte previdnostne ukrepe, da preprečite poškodbe ali smrt.

⚠ POZOR:
Upoštevajte previdnostne ukrepe, da preprečite poškodovanje enote.

Ta priročnik za namestitve skupaj z uporabniškim priročnikom je treba po namestitvi shranjevati pri izdelku za uporabo v prihodnosti. Mitsubishi Electric ni odgovoren za okvaro lokalno dobavljenih delov.

- Redno izvajajte vzdrževalna dela.
- Upoštevajte lokalne predpise.
- Upoštevajte navodila iz tega priročnika.

POMEN SIMBOLOV NA ENOTI

	OPOZORILO (Nevarnost požara)	Ta oznaka velja samo za hladilno sredstvo R32. Vrsta hladilnega sredstva je navedena na identifikacijski ploščici zunanje enote. Če je vrsta hladilnega sredstva R32, ta enota uporablja vnetljivo hladilno sredstvo. Če hladilno sredstvo pušča in pride v stik z ognjem ali ogrevalnim delom, bo nastal škodljiv plin in nevarnost požara.
		Pred uporabo natančno preberite PRIROČNIK ZA UPORABO.
		Servisno osebje mora pred uporabo pozorno prebrati PRIROČNIK ZA UPORABO in PRIROČNIK ZA NAMESTITEV.
		Dodatne informacije so na voljo v PRIROČNIKU ZA UPORABO, PRIROČNIKU ZA NAMESTITEV in podobno.

⚠ ⚠ OPOZORILO

Mehansko

Enote bojljerja in zunanje enote uporabnik ne sme namestiti, razstaviti, premestiti, spremeniti ali popraviti. Obrnite se na pooblaščenega monterja ali tehnika. Če je enota nepravilno nameščena ali se jo po namestitvi spreminja, lahko pride do puščanja vode, električnega udara ali požara.

Zunanja enota mora biti trdno pritrjena na trdo ravno površino, ki lahko nosi njeno težo.

Enota bojljerja mora biti nameščena na trdni površini, ki lahko podpira njeno težo, ko je napolnjena, da prepreči prekomerne zvoke ali vibracije.

Pod zunanjo enoto ali enoto bojljerja ne nameščajte pohištva ali električnih naprav.

Izhodni cevovod iz zasilnih naprav enote bojljerja je treba namestiti v skladu z lokalno zakonodajo.

Uporabljajte samo dodatke in nadomestne dele, ki jih je pooblastil Mitsubishi Electric, in se za namestitve delov obrnite na usposobljenega tehnika.

Električna dela

Vsa električna dela mora izvesti usposobljen tehnik v skladu z lokalnimi predpisi in navodili iz tega priročnika.

Enote se morajo napajati s posebnim napajalnikom in pravilno napetostjo ter uporabo odklopnikov.

Ožičenje mora biti skladno z nacionalnimi predpisi o ožičenju. Priključki morajo biti narejeni varno in brez napetosti na sponkah.

Enota mora biti pravilno ozemljena.

Splošno

Otrokom in hišnim ljubljencem preprečite zadrževanje v bližini enote bojljerja in zunanje enote.

Vroče vode, ki jo proizvaja toplotna črpalka, ne uporabljajte neposredno za pitje ali kuhanje. To lahko povzroči bolezen.

Na enoti ne smete stati.

Ne dotikajte se stikal z mokrimi rokami.

Letne vzdrževalne preglede na enoti bojljerja in zunanji enoti mora opraviti usposobljena oseba.

Posod s tekočinami ne namestite na vrh enote bojljerja. Če posode puščajo ali se razlijejo v enoto, se lahko enota poškoduje in/ali pride do požara.

Na vrh enote bojljerja ne polagajte težkih predmetov.

Pri nameščanju, premeščanju ali servisiranju enote bojljerja uporabite za polnjenje cevi za hladilno sredstvo samo specifično hladilno sredstvo za toplotno črpalko.

Ne mešajte ga z drugimi hladilnimi sredstvi in ne pustite, da bi v ceveh ostal zrak. Če se k hladilnemu sredstvu primeša zrak, lahko povzroči neobičajno visok tlak v ceveh za hladilno sredstvo, kar lahko povzroči eksplozijo in druge nevarnosti.

Uporaba hladilnih sredstev, ki se razlikujejo od tistih, navedenih za sistem, povzroči mehanično odpoved ali okvaro sistema oziroma okvaro enote. V najslabšem primeru lahko resno okrnijo zagotavljanje varnosti izdelka.

V načinu gretja morate za preprečitev poškodb toplotnih radiatorjev s čezmerno vročo vodo nastaviti ciljno temperaturo pretoka 2 °C pod najvišjo dovoljeno temperaturo vseh toplotnih radiatorjev. Ciljno temperaturo za Cona2 nastavite najmanj 5 °C pod najvišjo dovoljeno temperaturo pretoka vseh toplotnih radiatorjev v krogotoku Cona2.

Enote ne nameščajte na mesto, kjer lahko pride do uhajanja, nastajanja, pretoka ali kopičenja vnetljivih plinov. Če se okoli enote kopiči vnetljivi plin, lahko pride do požara ali eksplozije.

Ne uporabljajte sredstev za pospeševanje postopka odmrzovanja ali čiščenje, ki jih ne priporoča proizvajalec.

Naprava mora biti shranjena v prostoru brez neprekinjenega delovanja virov vžiga (npr. odprti plamen, delujoča plinska naprava ali delujoči električni grelec).

Ne luknjajte ali zažigajte.

Ne pozabite, da hladilna sredstva morda ne vsebujejo vonja.

Cevovod zaščitite pred fizičnimi poškodbami.

Namestite čim manj cevovodov.

Mora biti v skladu z nacionalnimi predpisi o plinu.

Vse prezračevalne odprtine morajo delovati nemoteno.

V primeru spajkanja cevi za hladilno sredstvo ne uporabljajte nizkotemperaturne zlitine za spajkanje.

sl

1 Varnostna obvestila

⚠ POZOR

Na primarnem krogotoku uporabljajte čisto vodo, ki ustreza lokalnim standardom kakovosti.
Zunanja enota mora biti nameščena na območju z zadostnim pretokom zraka v skladu s shemami iz priročnika za namestitev zunanje enote.
Enota bojlerja mora biti nameščena v notranjem prostoru, da se zmanjša toplotna izguba.
Vodovodne cevi na primarnem krogotoku med zunanjo in notranjo enoto morajo biti čim manjše, da se zmanjša toplotna izguba.
Z odvodno cevjo preusmerite kondenzat iz zunanje enote stran od podnožja in preprečite nastajanje luž.
Iz primarnega krogotoka in krogotoka STV odstranite čim več zraka.
Uhajanje hladilnega sredstva lahko povzroči zadušitev. Zagotovite prezračevanje v skladu z EN378-1.
Okoli cevi ovijte izolacijo. Neposreden stik z golimi cevmi lahko povzroči opekline ali ozeblino.
Da preprečite možnost nenamernega zaužitja, baterij iz katerega koli razloga nikoli ne polagajte v usta.
Zaužitje baterije lahko povzroči zadušitev in/ali zastrupitev.
Enote bojlerja ne prevažajte, če je v rezervoarju STV voda. To lahko povzroči poškodbe na enoti.
Če je treba napajanje enote bojlerja izklopiti (ali izklopiti sistem) za daljše časovno obdobje, je treba odstraniti vso vodo.
Če enota ni bila v uporabi daljše časovno obdobje, je treba pred vnovičnim delovanjem rezervoar STV splakniti s pitno vodo.
Sprejeti je treba preventivne ukrepe proti vodnemu udaru, kot je npr. vgradnja blažilca vodnega udara na primarnem krogotoku po navodilih proizvajalca.

Za ravnanje s hladilnim sredstvom glejte priročnik za namestitev zunanje enote.

2 Uvod

Namen tega priročnika za namestitev je usposobljenim osebam podati napotke za varno in učinkovito namestitev in zagon sistema enote bojlerja. Ciljni bralci tega priročnika so usposobljeni vodovodarji in/ali hladilni tehniki,

ki se se udeležili in opravili zahtevano usposabljanje za izdelke Mitsubishi Electric ter so ustrezno usposobljeni za namestitev zaprte enote bojlerja za toplo vodo, ki je specifična za njihovo državo.

3 Tehnične informacije

Specifikacije izdelka

Ime modela	EHST20C-MED	EHST20C-VM2D	EHST20C-VM6D	EHST20C-VM9D	EHST20C-VM9ED	EHST20C-TM9D	ERST20C-VM2D	EHST30C-MED	EHST30C-VM6D	EHST30C-VM9ED	EHST30C-TM9ED	ERST30C-VM2ED	EHPT17X-VM6D	EHPT17X-VM9D	ERPT17X-VM2D	
Nazivna prostornina sanitarne tople vode	200 L															
Skupne dimenzije enote (višina x širina x globlina)	1600 x 595 x 680 mm															
Teža (prazna)	106 kg	113 kg	114 kg	115 kg	109 kg	115 kg	113 kg	118 kg	120 kg	121 kg	121 kg	120 kg	85 kg	86 kg	86 kg	
Teža (polna)	314 kg	320 kg	321 kg	324 kg	319 kg	324 kg	320 kg	426 kg	422 kg	431 kg	428 kg	428 kg	261 kg	262 kg	261 kg	
Količina vode ogrevalnega krogotoka v enoti *1	4,6 L		6,9 L		6,9 L		4,6 L		5,0 L		5,0 L		3,2 L		3,2 L	
Zaprta ekspanzijska posoda (primarno grejle)	12 L		—		—		12 L		—		—		12 L		—	
Nazivna prostornina polnilni tlak	0,1 MPa		—		—		0,1 MPa		—		—		0,1 MPa		—	
Kontrolni termistor	1-80°C															
Primarni krogotok	Razbremenilni ventili (Pressure relief valve)															
Tipalo pretoka	0,3 MPa (3bar)															
Termostat z ročnim resetom BH	Najim. pretok 5,0 L/min (Za razpon pretoka vode glejte tabelo 4.3.1)															
Toplotna varovalka BH	90°C															
Kontrolni termistor	121°C															
Termostat z ročnim resetom IH	75°C															
Temperatura/Razbremenilni ventili (Pressure relief valve)	—															
Voda	1,0 MPa (10 bar)															
Hladilno posodo (R32/R4-10A)	Ø28 mm															
Grejle	Ø22 mm															
Temperatura toka	9,52 mm															
Hlad	15,88 mm															
Temp. okolja	10-30°C															
Zajamčeno območje delovanja *2	20-60°C															
Rezervoar STV zmogljivost	—															
Določeni profili rabe	*4															
Razred energijske učinkovitosti grelca vode	*3															
Napajanje (Faza, napetost, pogostost)	~N, 230 V, 50 Hz															
Dovod (Vključno s 4 črpalkami)	0,30 kW															
Pomožni električni grelec	1,95 A															
Moč	10 A															
Tok	~N, 230 V, 50 Hz															
Odklopnik	3-~N, 230 V, 50 Hz															
Moč električni grelec	2 kW		3 kW + 4 kW		3 kW + 6 kW		2 kW		2 kW + 4 kW		3 kW + 6 kW		2 kW		2 kW + 6 kW	
Tok električni grelec	9 A		13 A		23 A		9 A		26 A		13 A		9 A		16 A	
Moč potopni grelec *5	16 A		32 A		16 A		16 A		32 A		16 A		16 A		16 A	
Tok potopni grelec *5	16 A		32 A		16 A		16 A		32 A		16 A		16 A		16 A	
Raven zvočne moči	40 dB(A)															

<Tabela 3.2>

*1 Prostornina krogotoka sanitarne vode, primarni krogotok STV (od 3-potnega ventila do točke zlitja z ogrevalnim krogotokom), cevi do ekspanzijske posode, ekspanzijske posode niso vključene v to vrednost.
 *2 Okolje mora biti brez zmrzali.
 *3 Glejte tabelo s specifikacijami zunanje enote (min. 10°C). Način hlajenja pri nizki zunanji temperaturi ni na voljo. Če sistem uporabljate v načinu hlajenja pri nizki temperaturi okolice (10°C ali manj), lahko zaradi zamrznjene vode pride do poškodbe ploščnega toplotnega izmenjevalnika.
 *4 Za model brez pomožnega električnega in potopnega grelca je največja dovoljena temperatura tople vode [Maximum outlet water of outdoor unit -3°C] (Maksimalna iztočna voda zunanje enote -3°C). Za najvišjo temperaturo izhodne vode zunanje enote glejte knjigo s podatki zunanje enote.
 *5 Ne nameščajte potopnih grelcev brez toplotnih varovalk. Za neposredno zamenjavo uporabljajte samo rezervne dele Mitsubishi Electric.

3 Tehnične informacije

Specifikacije izdelka

Ime modela	EHPT20X-MED	EHPT20X-VM6D	EHPT20X-YM9D	EHPT20X-YM9D	EHPT20X-TM9D	EHPT20X-MHEDW	ERPT20X-MD	ERPT20X-VM2D	ERPT20X-VM6D	EHPT30X-MED	EHPT30X-YM9D	ERPT30X-VM2ED
Nazivna prostornina sanitarne tople vode	300 L											
Skupne dimenzije enote (višina x širina x globina)	1600 x 595 x 680 mm											
Teža (prazna)	93 kg	101 kg	102 kg	96 kg	102 kg	90 kg	99 kg	100 kg	101 kg	106 kg	109 kg	107 kg
Teža (polna)	300 kg	307 kg	310 kg	305 kg	310 kg	296 kg	305 kg	305 kg	307 kg	413 kg	419 kg	413 kg
Količina vode ogrevalnega krogotoka v enoti *1	3,7 L											
Zaprta ekspanzijska posoda (primarno grejle)	12 L											
Nazivna prostornina	6,0 L											
Polnilni tlak	0,1 MPa											
Kontrolni termistor	1–80°C											
Primarni krogotok	Razbremenilni ventili (Pressure relief valve)											
Tipalo pretoka	Najm. pretok 5,0 L/min (Za razpon pretoka vode glejte tabelo 4.3.1)											
Pomožni električni grelec	90°C											
Varno-silna naprava	121°C											
Rezer vo-ar STV	75°C											
Termostat z ročnim resetom IH	—											
Temperaturna/Razbremenilni ventili (Pressure relief valve)	1,0 MPa (10 bar)											
Voda	90°C / 0,7 MPa (7 bar)											
Hladilno sredstvo (R32/ R410A)	Primarni krogotok											
Grejle	Krogotok STV											
Hlad	Tekočina											
Temp okolja	Plin											
Zunanja temperatura	Temperatura prostora											
Najvišja dovoljena temperatura tople vode	Temperatura toka											
Določeni profil rabe	Temperatura toka											
Povprečno podnebje	Temperatura toka											
Nadzorna plošča (Vključno s 4 črpalkami)	—											
Pomožni električni grelec	—											
Moč	—											
Tok	—											
Električni podatki	—											
Poltopni grelec *5	—											
Moč	—											
Tok	—											
Odklopnik	—											
Raven zvočne moči	40 dB(A)											

<Tabela 3.3>

*1 Prostornina krogotoka sanitarne vode, primarni krogotok STV (od 3-potnega ventila do točke zlija z ogrevalnim krogotokom), cev, od ekspanzijske posode; ekspanzijske posode niso vključene v to vrednost.

*2 Okolje mora biti brez zmrzali.

*3 Glejte tabelo s specifikacijami zunanje enote (min. 10°C). Način hlajenja pri nizki temperaturi ni na vojo. Če sistem uporabljate v načinu hlajenja pri nizki temperaturi okolice (10°C ali manj), lahko zaradi zamrznjene vode pride do poškodbe ploščnega toplotnega izmenjevalnika.

*4 Za model brez pomožnega električnega in potopnega grelca je največja dovoljena temperatura tople vode [Maximum outlet water of outdoor unit -3°C] (Maksimalna iztočna voda zunanje enote -3°C). Za najvišjo temperaturo izhodne vode zunanje enote glejte knjigo s podatki zunanje enote.

*5 Ne nameščajte potopnih grelcev brez toplotnih varovalk. Za neposredno zamenjavo uporabljajte samo rezervne dele Mitsubishi Electric.

3 Tehnične informacije

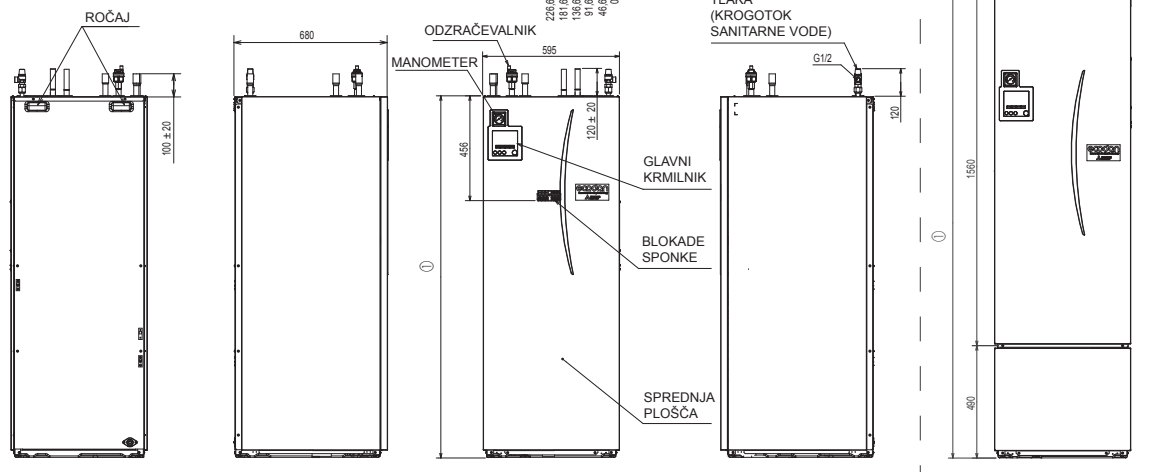
<Enota: mm>

■ Tehnične risbe

<E**T***-M**D>

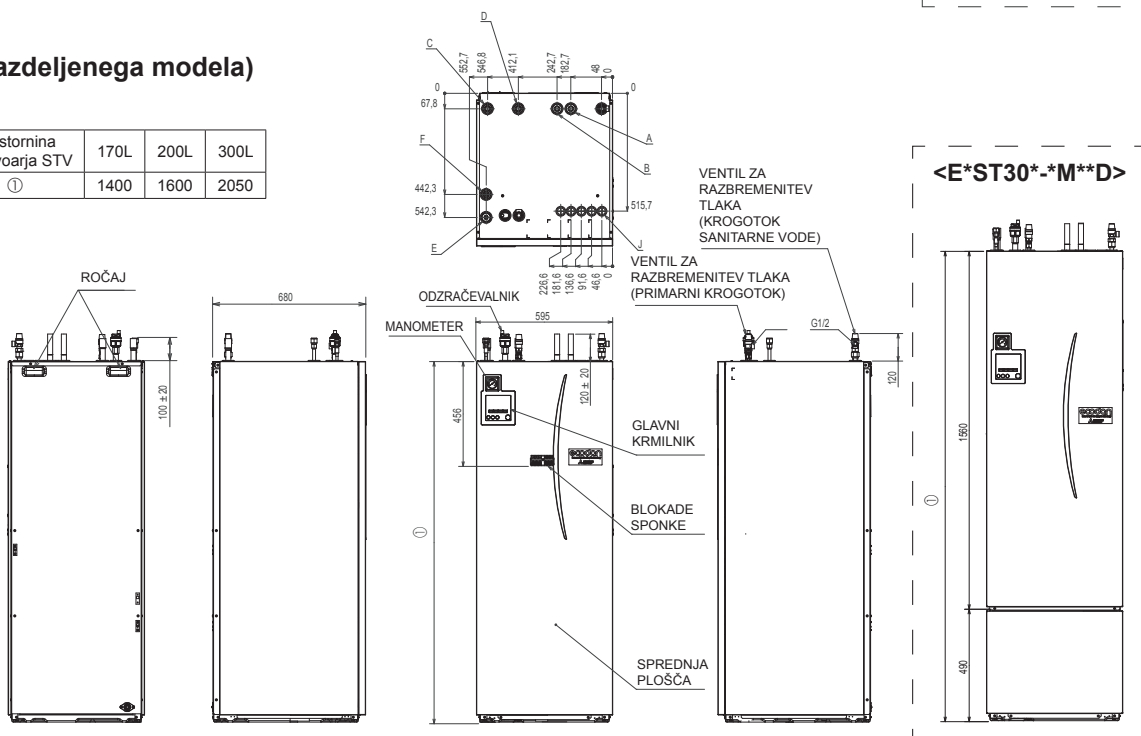
(Sistem pakiranega modela)

Prostornina rezervoarja STV	170L	200L	300L
①	1400	1600	2050



(Sistem razdeljenega modela)

Prostornina rezervoarja STV	170L	200L	300L
①	1400	1600	2050



Črka	Opis cevi	Velikost/vrsta priključka
A	Izhodni priključek STV	22 mm/Kompresija
B	Dovodni priključek za hladno vodo	22 mm/Kompresija
C	POVRATNI priključek za gretje/hlajenje prostora	28 mm/Kompresija
D	Priključek za PRETOK za gretje/hlajenje prostora	28 mm/Kompresija
E	Priključek za pretok OD toplotne črpalke (brez ploščnega toplotnega izmenjevalnika)	28 mm/Kompresija
F	Povratni priključek DO toplotne črpalke (brez ploščnega toplotnega izmenjevalnika)	28 mm/Kompresija
G	Hladilno sredstvo (PLIN) (S ploščnim toplotnim izmenjevalnikom)	12,7 mm/Vezni del (E*ST**D-*) 15,88 mm/Vezni del (E*ST**C-*)
H	Hladilno sredstvo (TEKOČINA) (S ploščnim toplotnim izmenjevalnikom)	6,35 mm/Vezni del (E*ST**D-*) 9,52 mm/Vezni del (E*ST**C-*)
J	Vhodi za električni kabel	<p>⚠ Opozorilo</p> <ul style="list-style-type: none"> Priključek za cevi za hladilno sredstvo mora biti dostopen za vzdrževanje. V primeru ponovne priključitve cevi za hladilno sredstvo po odstranitvi, zamenjajte vezni del na cevi. <p>Za vhode ①, ② in ③, uporabite nizkonapetostne žice, vključno z zunanji vhodni žicami in žicami za termistor. Za vhoda ④ in ⑤ uporabite visokonapetostne žice, vključno z napajalnim kablom, notranjim/zunanjim kablom in zunanji izhodni žicami. * Za kabel brezžičnega sprejemnika (opcjski) in kabel brezžičnega vmesnika (opcjski) uporabite vhod ①.</p>

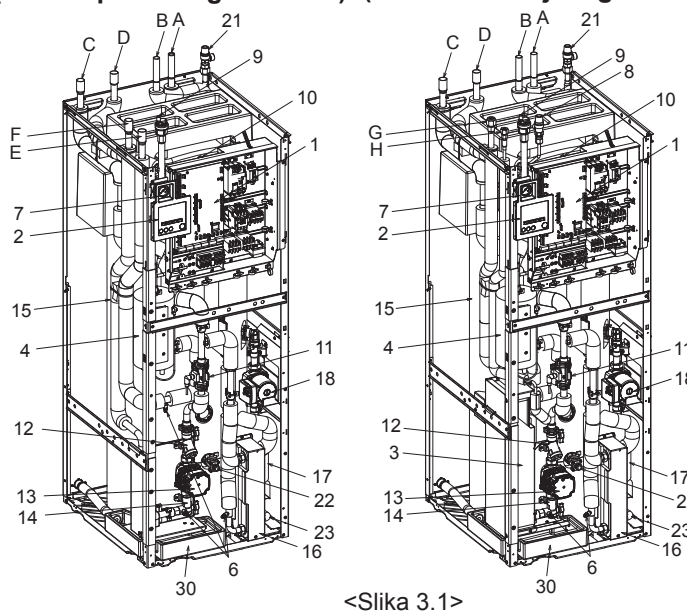
<Tabela 3.4>

3 Tehnične informacije

Sestavni deli

<E**T***-M**D>

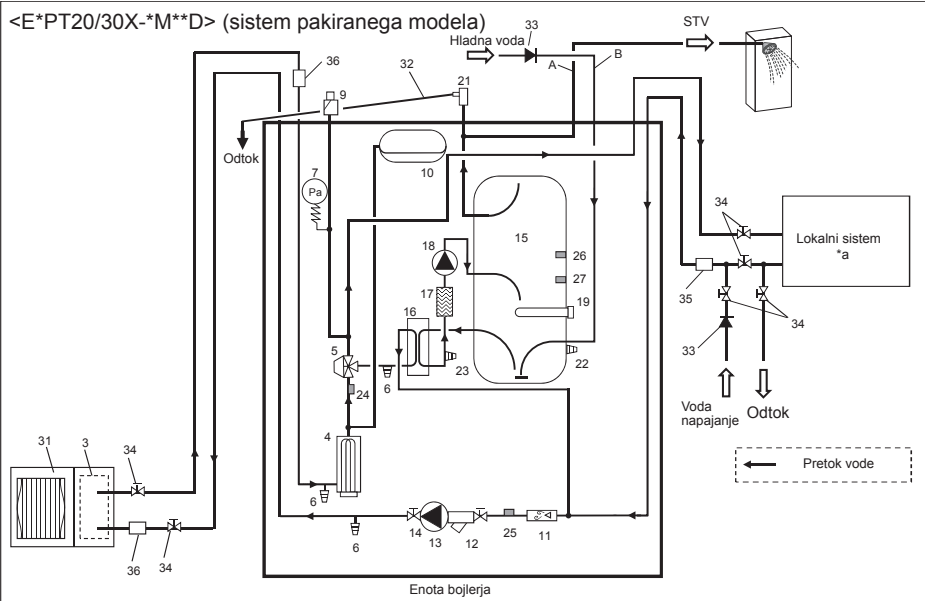
(Sistem pakiranega modela) (Sistem razdeljenega modela)



Opomba:
Pri namestitvi vseh modelov E**T***-M**ED* se prepričajte, da ste namestili ustrezno velikost ekspanzijske posode na primarni strani in dodatni razbremenilni ventil, da preprečite, da bi ekspanzijska posoda počila. (Za nadaljnje smernice glejte slike 3.2 ~ 3.3 in 4.3.2)

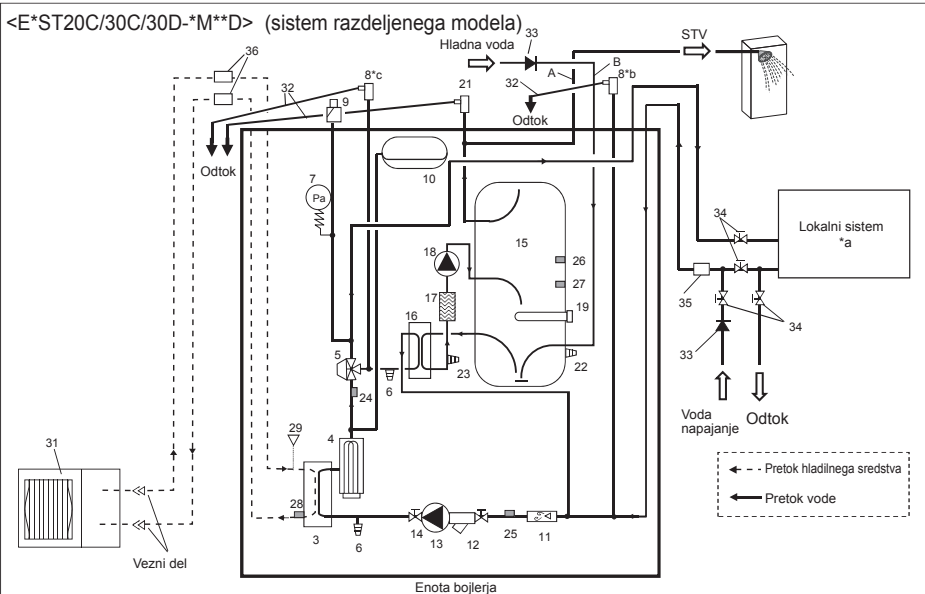
Shema vodnega krogotoka

<E*PT20/30X-M**D> (sistem pakiranega modela)



<Slika 3.2>

<E*ST20C/30C/30D-M**D> (sistem razdeljenega modela)



<Slika 3.3>

Št.	Ime dela
A	Izhodna cev za STV
B	Vhodna cev za hladno vodo
C	Vodovodna cev (povratni priključek za gretje/hlajenje prostora)
D	Vodovodna cev (priključek za pretok za gretje/hlajenje prostora)
E	Vodovodna cev (tok iz priključka toplotne črpalke)
F	Vodovodna cev (povratni priključek do toplotne črpalke)
G	Cev za hladilno sredstvo (plin)
H	Cev za hladilno sredstvo (tekočina)
1	Krmlina in električna omarica
2	Glavni daljinski krmlinik
3	Ploščni toplotni izmenjevalnik (hladilno sredstvo – voda)
4	Pomožni električni grelec 1,2
5	3-potni ventil
6	Drenažni ventil (primarni krogotok)
7	Manometer
8	Razbremenilni ventil (3 bar)
9	Samodejni odzračevalnik
10	Ekspanzijska posoda (primarni krogotok)
11	Tipalo pretoka
12	Filtrirni ventil
13	Obtočna vodna črpalka 1 (primarni krogotok)
14	Ventil za črpalke
15	Rezervoar STV
16	Ploščni toplotni izmenjevalnik (voda – voda)
17	Lovilec vodnega kamna
18	Obtočna vodna črpalka (krogotok sanitarne vode)
19	Potopni grelec*1
20	Temperaturni in razbremenilni ventil*1
21	Razbremenilni ventil (10 bar) (rezervoar STV)
22	Drenažni ventil (rezervoar STV)
23	Drenažni ventil (krogotok sanitarne vode)
24	Termistor za temp. pretoka vode (THW1)
25	Termistor za temp. povratne vode (THW2)
26	Termistor za rezervoar STV z zgornjo temperaturo vode (THW5A)
27	Termistor za rezervoar STV s spodnjo temperaturo vode (THW5B)
28	Termistor za temp. hladilne tekočine (TH2)
29	Tlačni senzor
30	Drenažna posoda
31	Zunanja enota
32	Drenažna cev (obstoječa)
33	Naprava za preprečevanje vzratnega toka (obstoječa)
34	Izolacijski ventil (obstoječi)
35	Magnetni filter (obstoječi) (priporočeno)
36	Filter (obstoječi)
37	Dodatni PRV (obstoječi)
38	Vhodna kontrolna skupina *1
39	Zanka za polnjenje (krogelni ventili, povratni ventili in gibka cev) *1
40	Ekspanzijska posoda za pitno vodo *1

*1 Priložen SAMO pri modelu za Združeno kraljestvo. Za več informacij o dodatkih glejte Priročnik za namestitve PAC-WK02UK-E.

<Tabela 3.5>

Obiščite spletno stran Mitsubishi in preverite vodni krogotok drugih enot ter sestavne dele vsake enote.

*a Glejte naslednji razdelek [Local system] (Lokalni sistem).

*b Samo E**T20

*c Samo E**T30

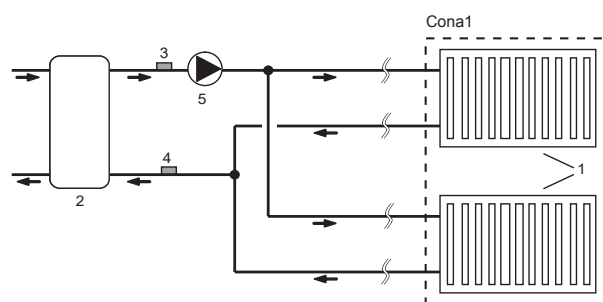
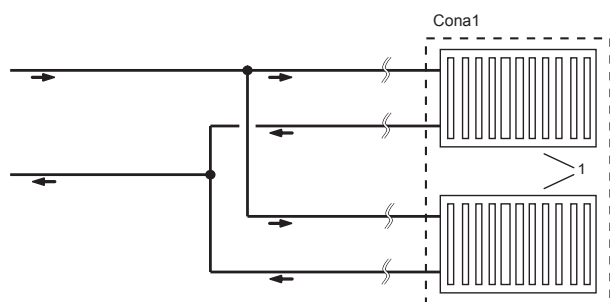
Opomba

- Za praznjenje enote boilerja je treba namestiti izolacijski ventil na dovodni in izhodni cevovod.
- Na dovodni cevovod enote boilerja namestite filter.
- Na vse razbremenilne ventile namestite ustrezen drenažni cevovod v skladu s predpisi vaše države.
- Naprava za preprečevanje povratnega toka mora biti nameščena na cevovodih za hladno vodo (IEC 61770)
- Pri uporabi sestavnih delov ali priključnih cevi, izdelanih iz različnih kovin, izolirajte spojke in tako preprečite nastanek korozije, ki bi lahko poškodovala cevovod.

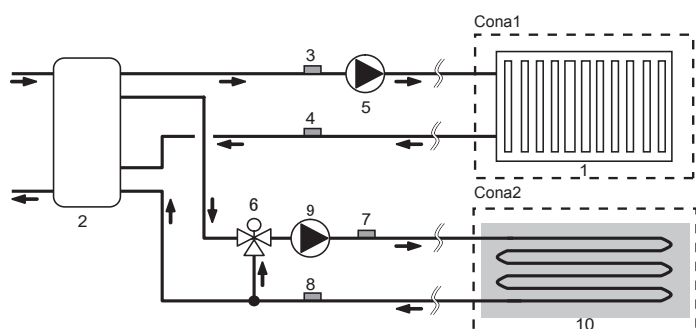
3 Tehnične informacije

■ Lokalni sistem

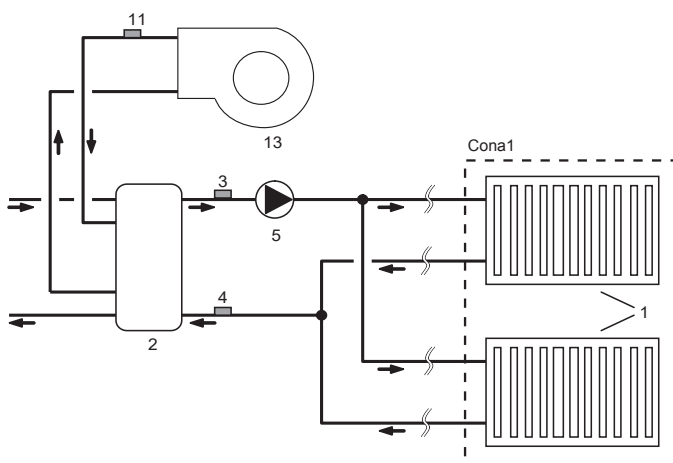
1-consko uravnavanje temperature



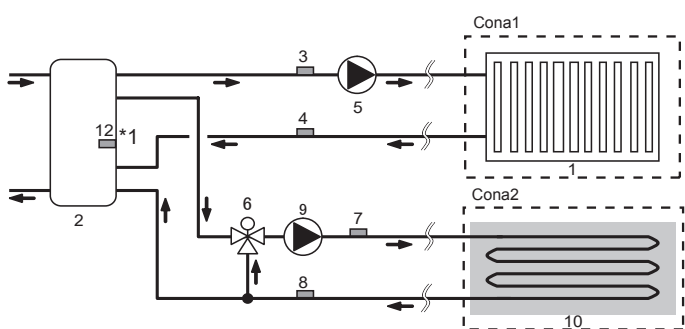
2-consko uravnavanje temperature



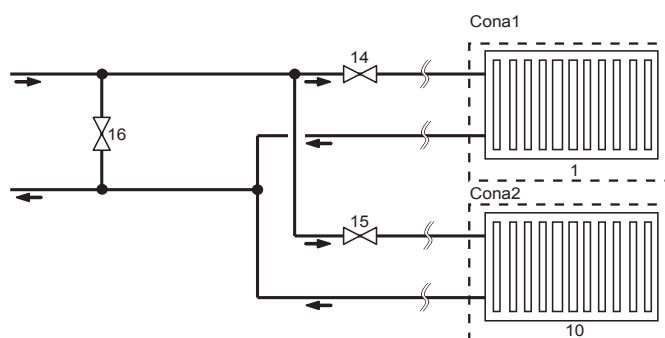
1-consko uravnavanje temperature s kotlom



2-consko uravnavanje temperature in nadzor vmesnega rezervoarja



1-consko uravnavanje temperature (2-conski ventil za nadzor VKLOPA/IZKLOPA)



1. Oddajnik toplote za cono 1 (npr. radiator, ventilatorski konvektor) (obstoječ)
2. Mešalna posoda (obstoječa)
3. Termistor za temp. pretoka vode za cono 1 (THW6) } Opcijski del: PAC-TH011-E
4. Termistor za temp. povratne vode za cono 1 (THW7) }
5. Obtočna vodna črpalka za cono 1 (obstoječa)
6. Motorizirani mešalni ventil (obstoječi)
7. Termistor za temp. pretoka vode za cono 2 (THW8) } Opcijski del: PAC-TH011-E
8. Termistor za temp. povratne vode za cono 2 (THW9) }
9. Obtočna vodna črpalka za cono 2 (obstoječa)

10. Oddajnik toplote za cono 2 (npr. talno greetje) (obstoječi)
11. Termistor za temp. pretoka vode kotla (THWB1) } Opcijski del: PAC-TH012HT(L)-E
12. Termistor mešalne posode (THW10) *1 }
13. Kotel (obstoječi)
14. 2-potni ventil za cono 1 (obstoječi)
15. 2-potni ventil za cono 2 (obstoječi)
16. Obvodni ventil (obstoječi)

*1 SAMO nadzor vmesnega rezervoarja (greetje/hlajenje) velja za »Pametna omrežja«.

4 Namestitev

<Priprava pred namestitvijo in servisiranjem>

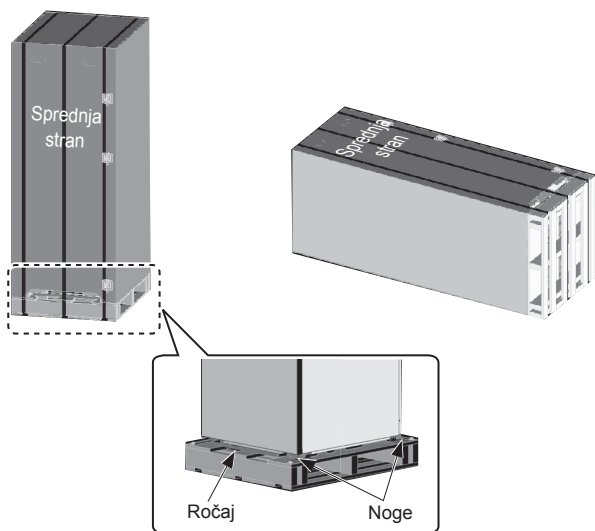
- Pripravite ustrezna orodja.
- Pripravite ustrezno zaščito.
- Preden začnete z vzdrževalnimi deli, počakajte, da se deli ohladijo.
- Zagotovite ustrezno prezračevanje.
- Po zaustavitvi delovanja sistema izklopite odklopnik električne energije in odstranite vtikač.
- Pred začetkom del, ki vključujejo električne dele, izpraznite kondenzator.

<Previdnostni ukrepi med servisiranjem>

- Del, ki vključujejo električne dele, ne opravljajte z mokrimi rokami.
- V električne dele ne nalivajte vode ali tekočine.
- Ne dotikajte se hladilnega sredstva.
- Ne dotikajte se vročih ali hladnih površin v ciklu hladilnega sredstva.
- Če je treba popravilo ali pregled krogotoka izvesti s priklopljenim napajanjem, bodite skrajno pozorni, da se NE dotaknete delov POD NAPETOSTJO.

4.1 Lokacija

■ Prevoz in ravnanje



<Slika 4.1.1>

Enota bojlerja je dostavljena na leseni paletni podlagi, obloženi s kartonsko zaščito.

Pri transportu enote bojlerja pazite, da ne pride do poškodb ohišja zaradi udarca. Dokler se enota bojlerja ne nahaja na končni lokaciji, ne odstranjujte zaščitne embalaže. Tako boste zaščitili konstrukcijo in nadzorno ploščo.

- Enota bojlerja je med prevozom lahko v pokončnem ali vodoravnem položaju. Če je med prevozom v vodoravnem položaju, mora biti ploskev z oznako »Spretna stran« obrnjena **NAVZGOR** <Slika 4.1.1>.
- Enoto bojlerja morajo VEDNO premikati najmanj 3 osebe.
- Med prenašanjem enote bojlerja uporabljajte priložene ročaje.
- Pred uporabo ročajev poskrbite, da so varno pritrjeni.
- **Ko se enota nahaja na mestu namestitve, odstranite prednji ročaj, pritrdilne noge, lesen podstavek in vso preostalo embalažo.**
- **Ročaje shranite za prevoz v prihodnje.**

■ Primerno mesto

Pred namestitvijo je treba enoto bojlerja shraniti na mestu, ki ni izpostavljeno zmrzali in vremenskim vplivom. Enote **NE SMEJO** biti zložene ena na drugo.

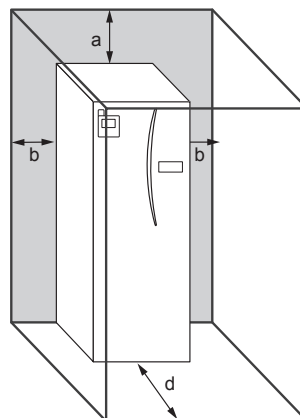
- Enota bojlerja mora biti nameščena v notranjih prostorih na mestu, ki ni izpostavljeno zmrzali in vremenskim vplivom.
- Enoto bojlerja namestite na mestu, ki ni izpostavljeno vodi/prekomerni vlagi.
- Enota bojlerja mora biti nameščena na ravni površini, ki lahko podpira njeno težo, ko je **NAPOLNJENA**. (Z nastavljivimi nogami (dodatki) lahko poskrbite, da bo položaj enote raven.)
- Pri uporabi nastavljivih nog preverite, ali so tla dovolj trdna.
- Okoli in pred enoto mora biti zagotovljena zadostna razdalja za dostop za servisiranje <Slika 4.1.2>.
- Enoto bojlerja zavarujte in preprečite, da se ne prevrne.

■ Sheme za dostop za servisiranje

Dostop za servisiranje	
Parameter	Dimenzija (mm)
a	300*
b	150
c (razdalja za enoto, ki ni vidna na sliki 4.1.2)	10
d	500

<Tabela 4.1.1>

Zagotoviti MORATE dovolj prostora za namestitev izhodnega cevododa, kot je podrobno opisano v nacionalnih in lokalnih gradbenih predpisih.



<Slika 4.1.2>

Dostop za servisiranje

* Za namestitev opcijskega 2-conskega kompleta (PAC-TZ02-E) na vrh enote bojlerja, potrebujete še dodatnih 300 mm prostora (skupaj 600 mm).

Enota bojlerja mora biti nameščena v zaprtih prostorih in v okolju, ki ni izpostavljeno zmrzali, na primer v pomožnem gospodinjstvem prostoru, da se zmanjšajo toplotne izgube iz shranjene vode.

■ Premeščanje

Če morate enoto bojlerja premestiti v nov položaj, jo pred premeščanjem **POPOLNOMA IZPRAZNITE**, da preprečite poškodbe na enoti.

4 Namestitev

4.2 Kakovost vode in priprava sistema

■ Splošno

- Voda v primarnem krogotoku in krogotoku sanitarne vode mora biti čista in z vrednostjo pH 6,5–8,0
- V nadaljevanju so navedene najvišje vrednosti:
 - Kalcij: 100 mg/L, Trdota Ca: 250 mg/L
 - Klorid: 100 mg/L, Baker: 0,3 mg/L
- Ostali sestavni deli morajo biti v skladu s standardi Evropske direktive 98/83 ES.
- Na območjih, za katere je značilna trda voda, je koristno običajno temperaturo shranjene vode (najvišja temp. STV) omejiti na 55°C in tako preprečiti/omejiti nastajanje vodnega kamna.

■ Sredstvo proti zmrzovanju

Raztopine proti zmrzovanju morajo vsebovati propilen glikol s stopnjo toksičnosti razreda 1, kot je navedeno v 5. izdaji Klinične toksikologije komercialnih izdelkov.

Opomba:

- Etilen glikol je strupen in se ga NE SME uporabljati v primarnem vodnem krogotoku zaradi možnosti navzkrižne kontaminacije krogotoka pitne vode.
- Propilen glikol se uporablja za 2-conski ventil za nadzor VKLOPA/IZKLOPA.

■ Nova namestitev (primarni vodni krogotok)

- Pred priključitvijo zunanje enote z ustreznim kemičnim sredstvom za čiščenje iz cevodov temeljito očistite nečistoče, ki so nastale med namestitvijo.
- Sistem sperite, da odstranite kemično čistilo.
- Za vse sisteme pakiranega modela dodajte kombinacijo zadrževalne snovi in raztopine proti zmrzovanju, da preprečite poškodbe cevodov in sestavnih delov sistema.
- Za sisteme razdeljenega modela se mora odgovorni monter glede na pogoje lokacije namestitve odločiti, ali je zaščita proti zmrzovanju potrebna. Vendar pa je treba VEDNO obvezno uporabiti zaviralec korozije.

■ Obstoječa namestitev (primarni vodni krogotok)

- Pred priključitvijo zunanje enote JE TREBA obstoječi ogrevalni krogotok kemično očistiti in iz ogrevalnega krogotoka odstraniti prisotno nečistočo.
- Sistem sperite, da odstranite kemično čistilo.
- Za vse sisteme pakiranega modela, sisteme razdeljenega modela ali sistem PUMY brez pomožnega električnega grelca dodajte kombinacijo zadrževalne snovi in raztopine proti zmrzovanju, da preprečite poškodbe cevodov in sestavnih delov sistema.
- Za sisteme razdeljenega modela se mora odgovorni monter glede na pogoje lokacije namestitve odločiti, ali je zaščita proti zmrzovanju potrebna. Vendar pa je treba VEDNO obvezno uporabiti zaviralec korozije.

Pri uporabi kemičnih čistil in zaviralcev vedno upoštevajte navodila proizvajalca in poskrbite, da je izdelek primeren za uporabljene materiale v vodnem krogotoku.

■ Najmanjša zahtevana količina vode v krogotoku za gretje/hlajenje prostora

Zunanja enota toplotne črpalke	Povprečne/toplejše podnebne razmere**		Hladnejše podnebne razmere**	
	Količina vode [L], vsebovane v notranji enoti	*Dodatna zahtevana količina vode [L]	Količina vode [L], vsebovane v notranji enoti	*Dodatna zahtevana količina vode [L]
Pakirani model	PUZ-WM50	2		24
	PUZ-WM60	4		29
	PUZ-WM85	7	5	32
	PUZ-WM112	11		43
	PUZ-HWM140	15		55
Razdeljeni model	SUZ-SWM40	1		12
	SUZ-SWM60	2		21
	SUZ-SWM80	4		29
	PUD-S(H)WM60	4		21
	PUD-S(H)WM80	6		29
	PUD-S(H)WM100	9		38
	PUD-S(H)WM120	12		47
	PUD-SHW140	15		55
	PUHZ-FRP71	6	5	27
	PUHZ-SW75	6		27
	PUHZ-SW100	9		38
	PUHZ-SW120	12		47
	PUHZ-SHW80	6		29
	PUHZ-SHW112	11		43
	PUHZ-SHW140	15		55
	PUMY-P112	22		75
PUMY-P125	22		75	
PUMY-P140	22		75	

<Tabela 4.2.1>

* Če je prisotna obvodna cev, je v zgornji tabeli navedena minimalna količina vode v primeru obvoda.

** Glejte 2009/125/ES: Direktiva o proizvodih, povezanih z energijo, in Uredba (EU) št. 813/2013 za potrditev vašega podnebnega območja.

Primer 1. Brez razdelitve med primarnim in sekundarnim krogotokom

- Zagotovite zahtevano količino vode v skladu s tabelo 4.2.1 z vodovodno cevjo in radiatorjem ali talnim gretjem.

Primer 2. Razdelitev med primarnim in sekundarnim krogotokom

- Če zapore primarne in sekundarne črpalke ni na voljo, poskrbite za dodatno vodo samo v primarnem krogu skladno s tabelo 4.2.1.
- Če je zapora primarne in sekundarne črpalke na voljo, zagotovite skupno količino vode primarnega in sekundarnega tokokroga skladno s tabelo 4.2.1. V primeru, da je količina vode manjša od zahtevane, namestite vmesni rezervoar.

4.3 Vodovodni cevovod

■ Cevovod za toplo vodo

Enota bojljerja je ZAPRTA. Pri nameščanju zaprtih sistemov za toplo vodo je treba upoštevati gradbene predpise, del G3 (za Anglijo in Wales), P3 (za Škotsko) in P5 (za Severno Irsko). Za države izven Združenega kraljestva: upoštevajte predpise vaše države za zaprte sisteme za toplo vodo.

Pretok STV priključite na cev A (slika 3.1).

Pred namestitvijo preglejte delovanje naslednjih varnostnih sestavnih delov enote bojljerja zaradi morebitnih nepravilnosti;

- Razbremenilni ventil (primarni krogotok in STV)
- Predhodno polnjena ekspanzijska posoda (polnilni tlak plina)

Natančno upoštevajte navodila na naslednjih straneh, ki se nanašajo na varno odvajanje tople vode iz varnostnih naprav.

- Cevovodi bodo zelo vroči, zato jih je treba izolirati, da preprečite nastanek opeklin.
- Med priključevanjem cevodov pazite, da v cev ne pridejo tuji predmeti, kot so nečistoče in podobno.

■ Cevovod za hladno vodo

Hladno vodo ustreznega standarda (glejte oddelek 4.2) je treba v sistem dovesti tako, da z uporabo ustreznih fittingov nanj priključite cev B (slika 3.1).

■ Preprečevanje negativnega tlaka

Da bi preprečili negativni tlak v rezervoarju STV, mora monter namestiti ustrezen cevovod ali uporabiti ustrezne naprave.

■ Hidravlični filter (SAMO serija E*PT)

Na dovod vode namestite hidravlični filter ali filter (obstoječi) (»cev E« na sl.3.1)

■ Priključki cevodov

Priključke na enoto bojljerja je treba izvesti z uporabo 22 mm ali 28 mm kompresije, kakor je ustrezno.

Pri priklopu cevi STV s kompresijskimi priključki vstavite bakrene puše cevi za STV (dodatki) v cevi in jih zatesnite z 0,75–1,25 obrati.

Kompresijskih priključkov ne zatesnite preveč, saj to lahko povzroči deformacijo obroča in morebitno puščanje.

Opomba: Pred varjenjem cevi na terenu morate cevi na enoti bojljerja zaščititi z mokrimi brisačami ipd., s katerimi ustvarite »toplotni ščit«.

■ Izolacija cevodov

- Da bi preprečili nepotrebne toplotne izgube in kondenzacijo, morajo biti vsi izpostavljeni deli vodovodnega cevodov izolirani. Da bi preprečili vstop kondenzata v enoto bojljerja, morajo biti cevovod in priključki na vrhu enote bojljerja izolirani.
- Cevi za hladno in toplo vodo morajo biti, kadar je to mogoče, napeljene čim bolj narazen, da se prepreči neželen prenos toplote.
- Cevovod, ki je napeljan med zunanjo enoto toplotne črpalke in enoto bojljerja, je treba izolirati z ustreznim izolacijskim materialom za cevi s toplotno prevodnostjo $\leq 0,04$ W/m.K.

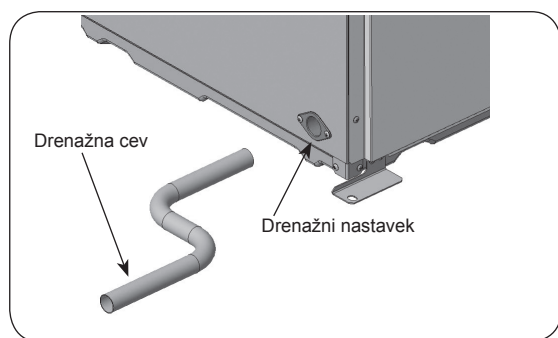
4 Namestitev

■ Drenažni cevododi (SAMO serija ER)

Neobveznega stojala za drenažno posodo ni treba nastaviti, ker je drenažna posoda že nameščena. Odtok je treba nastaviti iz drenažnega nastavka na levi strani zadnjega dela enote.

Drenažno cev je treba namestiti zaradi odvoda kondenzirane vode med načinom hlajenja.

- Da bi preprečili iztekanje umazane vode neposredno na tla poleg enote bojlerja, na drenažno posodo priključite ustrezne odtočne cevi.
- Drenažno cev varno namestite in tako preprečite iztekanje iz priključka.
- Drenažno cev varno izolirajte in tako preprečite kapljanje vode iz obstoječe drenažne cevi.
- Drenažno cev namestite navzdol za 1/100 ali več.
- Drenažne cevi ne polagajte v odtočni kanal, kjer se nahaja žvepleni plin.
- Po namestitvi preverite, ali drenažna cev pravilno odvaja vodo iz izhoda cevi do ustreznega mesta.



<Slika 4.3.1>

<Namestitev>

1. Odtočni nastavek (notranji premer 26 mm) se nahaja na levi strani zadnjega dela enote bojlerja. (Slika 4.3.1)
 2. Drenažno cev (VP-20), ki se prilega drenažnemu nastavku, pritrdite z lepilom iz polivinilklorida.
 3. Drenažni cevodod namestite na izhod z zmanjševanjem za več kot stotinko.
- Opomba: Varno podprite obstoječo drenažno cev in preprečite, da bi padla iz drenažnega nastavka.



■ Določanje velikosti ekspanzijske posode

Prostornina ekspanzijske posode mora ustrezati prostornini vode v lokalnem sistemu.

Za določitev velikosti ekspanzijske posode za ogrevalni krogotok lahko uporabite naslednjo formulo in graf.

Ko prostornina potrebne ekspanzijske posode preseže prostornino vgrajene ekspanzijske posode, namestite dodatno ekspanzijsko posodo, tako da vsota prostornin ekspanzijskih posod presega prostornino potrebne ekspanzijske posode.

* Za namestitev modela E**T***.M*ED* zagotovite in namestite ustrezno ekspanzijsko posodo s primarno stranjo in dodatni 3-barski razbremenilni ventil, saj model NI opremljen z ekspanzijsko posodo s primarno stranjo.

$$V = \frac{\varepsilon \times G}{1 - \frac{P_1 + 0,098}{P_2 + 0,098}}$$

Kje;

V : Prostornina potrebne ekspanzijske posode [L]

ε : Koefficient raztezanja vode

G : Skupna količina vode v sistemu [L]

P₁ : Nastavitveni tlak ekspanzijske posode [MPa]

P₂ : Najvišji tlak med delovanjem [MPa]

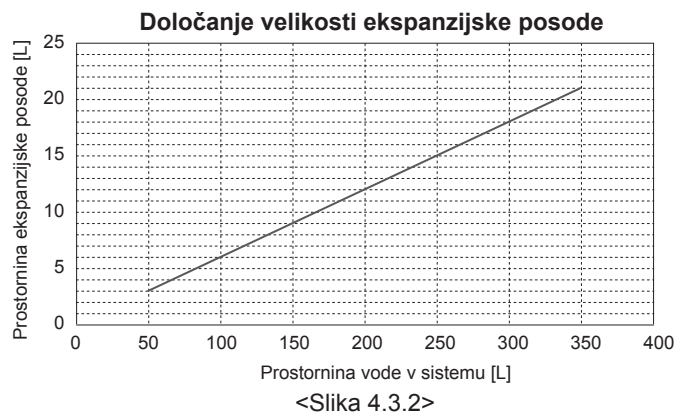
Graf na desni je za naslednje vrednosti

ε : pri 70°C = 0,0229

P₁ : 0,1 MPa

P₂ : 0,3 MPa

*Dodana je bila 30-% varnostna rezerva.



4 Namestititev

Značilnosti obtočne vodne črpalke

1. Primarni krogotok

Hitrost črpalke lahko izberete z nastavitvijo glavnega daljinskega krmilnika (glejte <Slika 4.3.3 do 4.3.7>).

Hitrost črpalke nastavite tako, da stopnja pretoka v primarnem krogotoku ustreza nameščeni zunanji enoti (glej tabelo 4.3.1). Morda bo treba v sistem dodati dodatno črpalko, odvisno od dolžine in dviga primarnega krogotoka.

Za model zunanje enote, ki ni naveden v <tabeli 4.3.1>, glejte stopnjo pretoka vode v specifikacijski tabeli knjige s podatki zunanje enote.

<Druga črpalka>

Če je za namestitvev potrebna druga črpalka, natančno preberite sledeče.

Če se v sistemu uporablja druga črpalka, jo lahko namestite na dva načina.

Položaj črpalke vpliva na to, na katero sponko FTC se priključi signalni kabel. Če imajo dodatne črpalke tok, ki je večji od 1 A, uporabite ustrezen rele. Signalni kabel črpalke je lahko priključen na TBO.1 1-2 ali CNP1, vendar NE na oba.

Možnost 1 (samo greenje/hlajenje prostora)

Če se za ogrevalni krogotok uporablja samo druga črpalka, je treba signalni kabel priključiti na sponki 3 in 4 TBO.1 (OUT2). V tem položaju se lahko črpalko poganja z različno hitrostjo od črpalke, vgrajene v enoti boilerja.

Možnost 2 (primarni krogotok STV in greenje/hlajenje prostora)

Če se druga črpalka uporablja v primarnem krogotoku med enoto boilerja in zunanjo enoto (SAMO pakirani sistem), je treba signalni kabel priključiti na sponki 1 in 2 TBO.1 (OUT1). V tem položaju MORA hitrost črpalke ustrezati hitrosti črpalke, ki je vgrajena v enoti boilerja.

Opomba: Glejte 5.2 Priključitev vhodov/izhodov.

Zunanja enota toplotne črpalke	Stopnja pretoka vode [L/min]	
Pakirani model	PUZ-WM50	6,5–14,3
	PUZ-WM60	8,6–17,2
	PUZ-WM85	10,8–24,4
	PUZ-WM112	14,4–32,1
	PUZ-HWM140	17,9–36,9
Razdeljeni model	SUZ-SWM40	6,5–11,4
	SUZ-SWM60	7,2–17,2
	SUZ-SWM80	7,8–21,5
	PUD-S(H)WM60	9,0–22,9
	PUD-S(H)WM80	9,0–22,9
	PUD-S(H)WM100	14,3–34,4
	PUD-S(H)WM120	14,3–34,4
	PUD-SHW140	14,3–34,4
	PUHZ-FRP71	11,5–22,9
	PUHZ-SW75	10,2–22,9
	PUHZ-SW100	14,4–32,1
	PUHZ-SW120	20,1–36,9
	PUHZ-SHW80	10,2–22,9
	PUHZ-SHW112	14,4–32,1
	PUHZ-SHW140	17,9–36,9
PUMY-P112	17,9–35,8	
PUMY-P125	17,9–35,8	
PUMY-P140	17,9–35,8	

<Tabela 4.3.1>

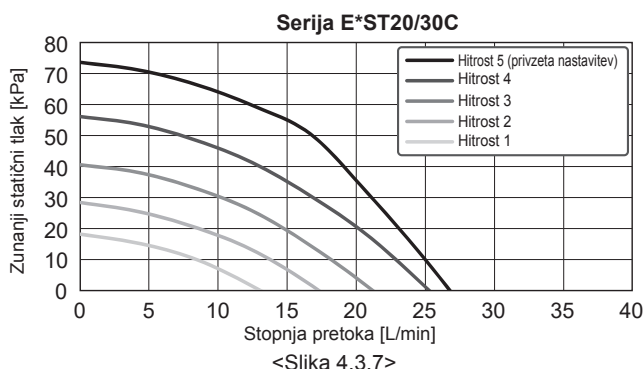
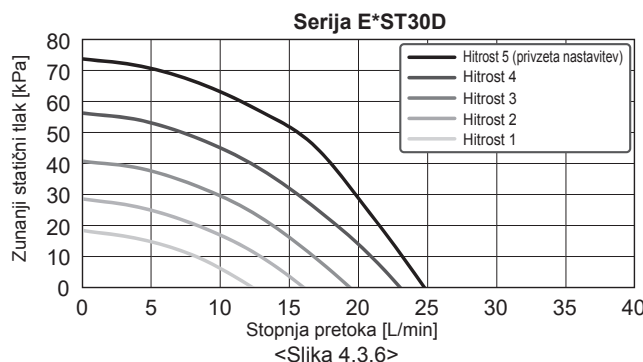
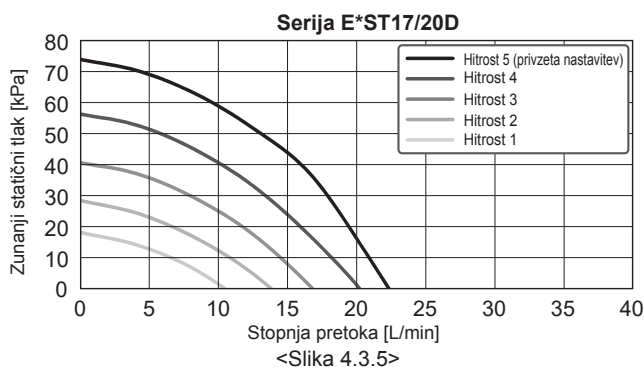
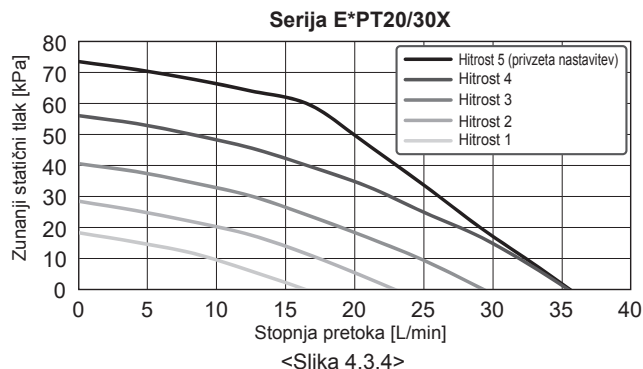
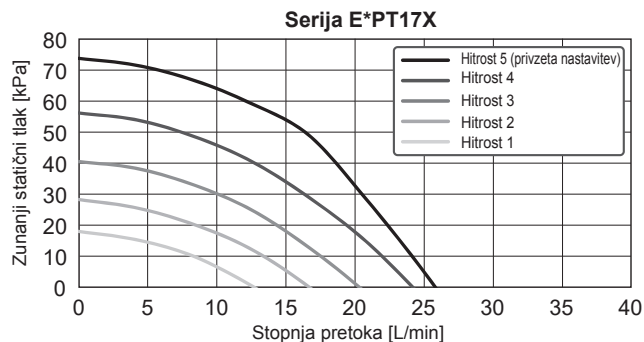
* Če je stopnja pretoka vode manjša od nastavitvene najmanjše stopnje pretoka tipala pretoka (privzeta vrednost 5,0 L/min), se bo sprožila napaka pri pretoku. Če pretok vode presega 36,9 L/min (serija E**T20/30) ali 25,8 L/min (serija E**T17), bo hitrost pretoka večja od 2,0 m/s, kar lahko poškoduje cevi.

2. Krogotok sanitarne vode

Privzeta nastavitvev: Hitrost 2

Obtočna črpalka STV MORA biti nastavljena na hitrost 2.

Značilnosti obtočne vodne črpalke



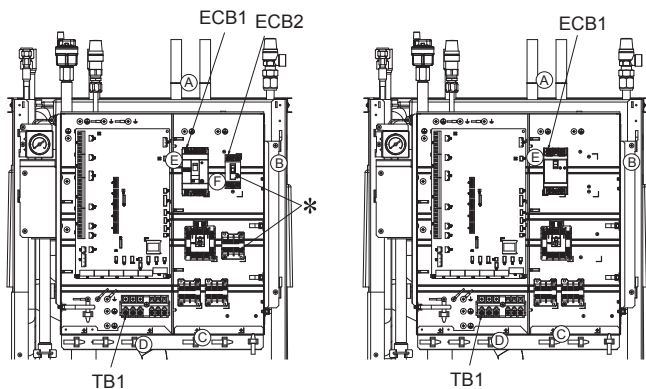
*Za namestitvev serije E*PT nastavite hitrost črpalke s padcem tlaka med enoto boilerja in zunanjo enoto, ki je pretvorjena v zunanji statični tlak.

4 Namestitev

4.4 Električni priključki

Vsa električna dela mora izvesti ustrezen usposobljen tehnik. V nasprotnem primeru lahko pride do električnega udara, požara in smrti. Prav tako bo to razveljavilo garancijo za izdelek. Vsa električna napeljava mora biti izvedena v skladu z nacionalnimi predpisi o električni napeljavi.

Okrajšava odklopnika	Pomen
ECB1	Odklopnik za ozemljitveni uhajavi tok za pomožni električni grelec
ECB2	Odklopnik za ozemljitveni uhajavi tok za potopni grelec
TB1	Skupina sponk 1



<Faza 1 (s potopnim grelcem)>

<Faza 3 (brez potopnega grelca)>

Enota bojlerja se lahko napaja na dva načina.

1. Napajalni kabel povezuje zunanjo enoto z enoto bojlerja.
2. Enota bojlerja ima neodvisen vir napajanja.

Priključki morajo biti izvedeni na sponkah, ki so prikazane na slikah levo spodaj, odvisno od faze.

Pomožni električni grelec in potopni grelec morata biti priključena neodvisno drug od drugega na namenske napajalnike.

- Obstoječe ožičenje vstavite skozi vhode, ki se nahajajo na vrhu enote bojlerja. (Glejte <tabela 3.4>.)
- Ožičenje mora biti napeljavano po desni strani krmilne in električne omarice ter pritrjeno s priloženimi sponkami.
- Žice je treba vstaviti posamično skozi kabelske vhode, kot je prikazano spodaj.
 - Izhodi žice
 - Zunanja/notranja žica
 - Električni vod (B.H.)/ Eklektični vod (I.H.) (možnost)
 - Žice vhodnega signala
- Priključite povezovalni kabel zunanje enote in enote bojlerja na TB1.
- Priključite napajalni kabel za pomožni električni grelec na ECB1.
- Če je prisoten potopni grelec, napajalni kabel priključite na ECB2.



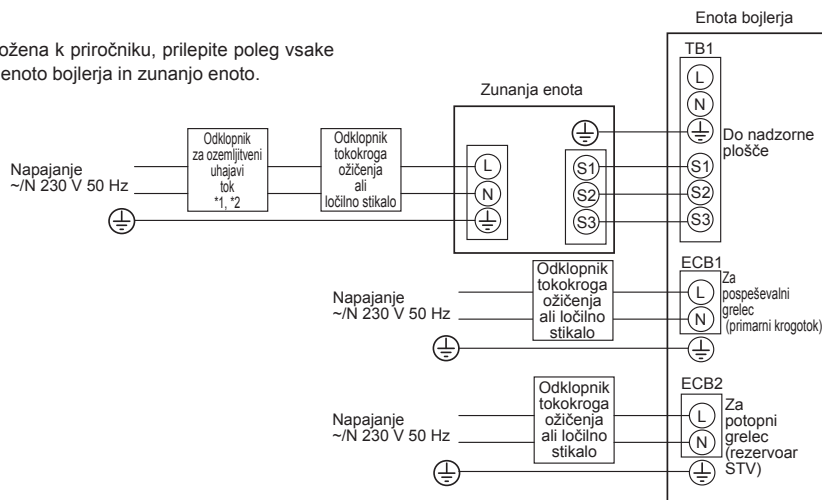
- Preprečite stik med ožičenjem in deli (*).
- Prepričajte se, da sta ECB1 in ECB2 VKLJUČENA.
- Ko zaključite z ožičenjem, preverite, če je glavni kabel daljinskega krmilnika priključen na priključek releja.

Enota bojlerja se napaja prek zunanje enote

(Če želite uporabljati neodvisni vir, obiščite spletno stran Mitsubishi.)

<faza 1>

Oznako A, ki je priložena k priročniku, prilepite poleg vsake sheme ožičenja za enoto bojlerja in zunanjo enoto.



<Slika 4.4.1>
Električni priključki, faza 1

Opis	Napajanje	Zmogljivost	Odklopnik	Ožičenje
Pomožni električni grelec (primarni krogotok)	~N 230 V 50 Hz	2 kW	16 A *2	2,5 mm ²
		6 kW	32 A *2	6,0 mm ²
Potopni grelec (rezervoar STV)	~N 230 V 50 Hz	3 kW	16 A *2	2,5 mm ²

Ožičenje Ožičenje št. x velikost (mm ²)	Enota bojlerja – zunanja enota	*3	3 x 1,5 (polarno)
	Enota bojlerja – ozemljitev zunanje enote	*3	1 x Najmanj 1,5
Stopnje krogotoka	Enota bojlerja – zunanja enota S1 - S2	*4	230 V, izmenični tok
	Enota bojlerja – zunanja enota S2 - S3	*4	24 V, enosmerni tok

Opomba: 1. Obseg ožičenja mora biti v skladu z veljavnimi lokalnimi in nacionalnimi kodeksi.

2. Priključni kabli notranje/zunanje enote ne smejo biti lažje od gibkega kabla, ovitega s polikloroprenom. (Oblika 60245 IEC 57)
Napajalni kabli za notranjo enoto ne smejo biti lažji od gibkega kabla, ovitega s polikloroprenom. (Oblika 60227 IEC 53)
3. Kabel za ozemljitev naj bo daljši od drugih kablov.
4. Poskrbite zadostno zmogljivost napajanja posameznega grelca. Nezadostna zmogljivost napajanja lahko povzroči ropotanje.

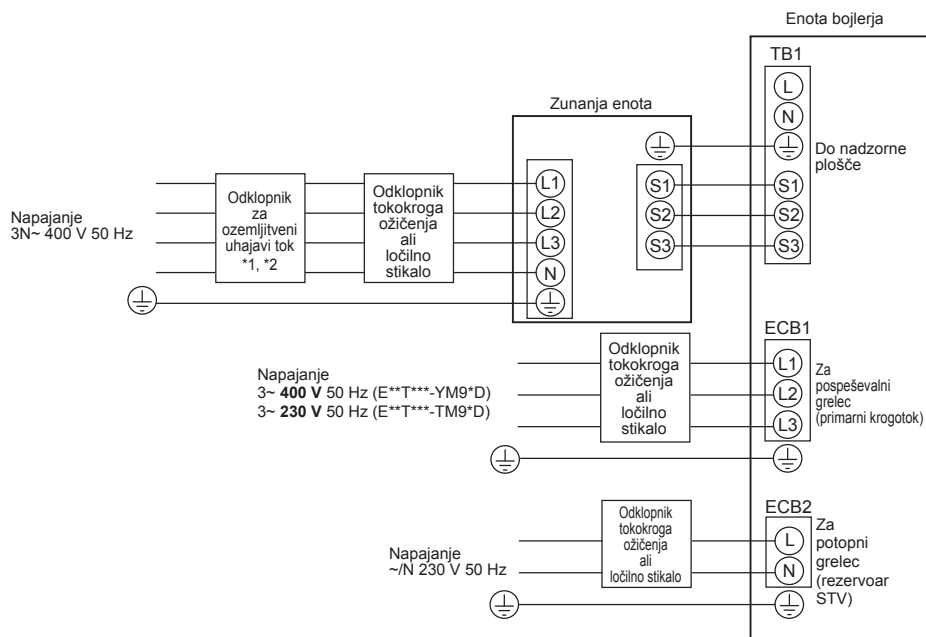
- *1. Če vgrajeni odklopnik za ozemljitveni uhajavi tok nima zaščite pred prenapetostjo, namestite odklopnik s to funkcijo vzdolž istega električnega voda.
- *2. Namestiti je treba odklopnik z vsaj 3,0-milimetrskim ločevanjem kontaktov v vsakem drugu. Uporabite odklopnik za ozemljitveni uhajavi tok (NV). Odklopnik mora biti nameščen tako, da zagotavlja odklop napajanja vseh aktivnih faznih prevodnikov.
- *3. Največ 45 m
Če je uporabljen 2,5 mm², največ 50 m
Če je uporabljen 2,5 mm² in S3 ločen, največ 80 m
- *4. Vrednosti, navedene v zgornji tabeli, se ne merijo vedno glede na vrednost tal.

sl

4 Namestitev

<faza 3>

Oznako A, ki je priložena k priročniku, prilepite poleg vsake sheme ožičenja za enoto boilerja in zunanjo enoto.



<Slika 4.4.2>
Električni priključki, faza 3

Opis	Napajanje	Zmogljivost (ref. notranje enote)	Odklopnik	Ožičenje
Pomožni električni grelec (primarni krogotok)	3~ 400 V 50 Hz	9 kW	16 A *2	2,5 mm ²
	3~ 230 V 50 Hz	9 kW	32 A *2	6,0 mm ²
Potopni grelec (rezervoar STV)	~N 230 V 50 Hz	3 kW	16 A *2	2,5 mm ²

Ožičenje št. Ožičenje št. x velikost (mm ²)	Enota boilerja – zunanja enota	*3	3 x 1,5 (polarno)
	Enota boilerja – zunanja zemeljska enota	*3	1 x Najmanj 1,5
Stopnja ožičenja	Enota boilerja – zunanja enota S1 - S2	*4	230 V, izmenični tok
	Enota boilerja – zunanja enota S2 - S3	*4	24 V, enosmerni tok

*1. Če vgrajeni odklopnik za ozemljitveni uhajavi tok nima zaščite pred prenapetostjo, namestite odklopnik s to funkcijo vzdolž istega električnega voda.

*2. Namestiti je treba odklopnik z vsaj 3,0-milimetrskim ločevanjem kontaktov v vsakem drogu. Uporabite odklopnik za ozemljitveni uhajavi tok (NV). Odklopnik mora biti nameščen tako, da zagotavlja odklop napajanja vseh aktivnih faznih prevodnikov.

*3. Največ 45 m

Če je uporabljen 2,5 mm², največ 50 m

Če je uporabljen 2,5 mm² in S3 ločen, največ 80 m

*4. Vrednosti, navedene v zgornji tabeli, se ne merijo vedno glede na vrednost tal.

Opomba: 1. Obseg ožičenja mora biti v skladu z veljavnimi lokalnimi in nacionalnimi zakoniki.

2. Priključni kablji notranje/zunanje enote ne smejo biti lažje od gibkega kabla, ovitega s polikloroprenom. (Oblika 60245 IEC 57)
Napajalni kablji za notranjo enoto ne smejo biti lažji od gibkega kabla, ovitega s polikloroprenom. (Oblika 60227 IEC 53)

3. Kabel za ozemljitev naj bo daljši od drugih kablov.

4. Poskrbite zadostno zmogljivost napajanja posameznega grelca. Nezadostna zmogljivost napajanja lahko povzroči ropotanje.

5 Nastavitev sistema

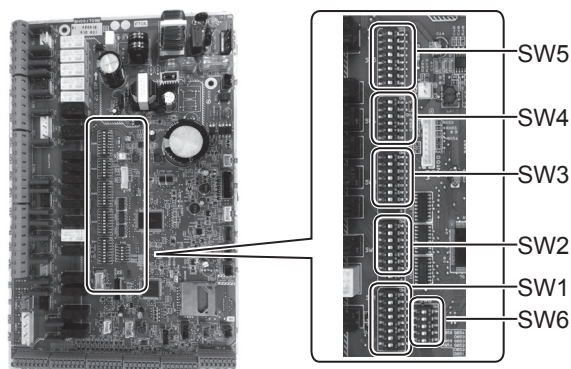
5.1 Funkcije stikala DIP

Številka stikala DIP je natisnjena na tiskani plošči poleg ustreznih stikal. Beseda ON (VKLOP) je natisnjena na tiskani plošči in na sami blokadi stikala DIP. Stikalo lahko preklpite z buciko ali konico tankega kovinskega ravnila ali podobnim predmetom.

Nastavitve stikala DIP so navedene spodaj v tabeli 5.1.1.

Nastavitve stikala DIP lahko spremenijo na lastno odgovornost in skladno s pogoji namestitve samo pooblaščen monter.

Pred spreminjanjem nastavitve stikala obvezno izklopite napajanje notranjih in zunanjih enot.



<Slika 5.1.1>

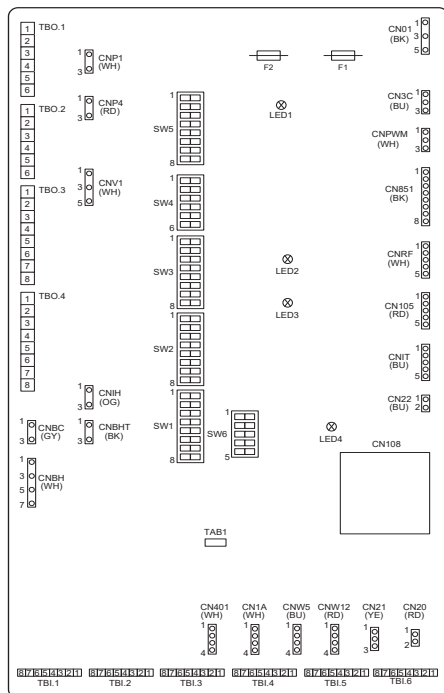
Stikalo DIP	Funkcija	IZKLOP	VKLOP	Privzete nastavitve: Model notranje enote			
SW1	SW1-1 Kotel	BREZ kotla	S kotlom	IZKLOP			
	SW1-2 Najvišja izhodna temperatura vode na toplotni črpalki	55 °C	60 °C	VKLOP *1			
	SW1-3 Rezervoar STV	BREZ rezervoarja STV	Z rezervoarjem STV	VKLOP			
	SW1-4 Potopni grelec	BREZ potopnega grelca	S potopnim grelcem	IZKLOP: Razen EHPT20X-MHEDW VKLOP : EHPT20X-MHEDW			
	SW1-5 Pomožni električni grelec	BREZ pomožnega električnega grelca	S pomožnim električnim grelcem	IZKLOP: E**T***-M*ED* VKLOP : E**T***-M 2/6/9*D			
	SW1-6 Funkcija pomožnega električnega grelca	Samo za gretje	Za gretje in STV	IZKLOP: E**T***-M*ED* VKLOP : E**T***-M 2/6/9*D			
	SW1-7 Vrsta zunanje enote	Razdeljeni tip	Pakirani tip	IZKLOP: E*ST***-M**D VKLOP : E*PT**X-M**D*			
	SW1-8 Brezžični daljinski krmilnik	BREZ brezžičnega daljinskega krmilnika	Z brezžičnim daljinskim krmilnikom	IZKLOP			
SW2	SW2-1 Logična sprememba vhoda prostorskega termostata 1 (IN1)	Zaustavitev delovanja termostata cone 1 za kratek čas	Zaustavitev delovanja pri termostatu cone 1 v odprtem položaju	IZKLOP			
	SW2-2 Logična sprememba vhoda (IN2) stikala pretoka 1	Zaznavanje okvare za kratek čas	Zaznavanje okvare na odprtem	IZKLOP			
	SW2-3 Omejitev moči pomožnega električnega grelca	Neaktivno	Aktivno	IZKLOP: Razen E**T***-VM2*D VKLOP : E**T***-VM2*D			
	SW2-4 Funkcija načina hlajenja	Neaktivno	Aktivno	IZKLOP: EH*T***-M**D* VKLOP : ER*T***-M**D			
	SW2-5 Samodejni preklop na delovanje rezervnega vira toplote (če se zunanja enota ustavi zaradi napake)	Neaktivno	Aktivno *2	IZKLOP			
	SW2-6 Mešalni rezervoar	BREZ mešalnega rezervoarja	Z mešalnim rezervoarjem	IZKLOP			
	SW2-7 2-cosko uravnavanje temperature	Neaktivno	Aktivno *6	IZKLOP			
	SW2-8 Tipalo pretoka	BREZ tipala pretoka	S tipalom pretoka	VKLOP			
SW3	SW3-1 Logična sprememba vhoda prostorskega termostata 2 (IN6)	Zaustavitev delovanja termostata cone 2 za kratek čas	Zaustavitev delovanja pri termostatu cone 2 v odprtem položaju	IZKLOP			
	SW3-2 Logična sprememba stikala pretoka 2 in 3	Zaznavanje okvare za kratek čas	Zaznavanje okvare na odprtem	IZKLOP			
	SW3-3 3-potna vrsta ventila	Motor na izmenični tok	Koračni motor	IZKLOP: Razen E**T17X/17D/20D-M**D* VKLOP : E**T17X/17D/20D-M**D			
	SW3-4 Merilec električne energije	BREZ merilca električne energije	Z merilecem električne energije	IZKLOP			
	SW3-5 Funkcija načina gretja *3	Neaktivno	Aktivno	VKLOP			
	SW3-6 2-coski ventil za nadzor VKLOPA/IZKLOPA	Neaktivno	Aktivno	IZKLOP			
	SW3-7 Toplotni izmenjevalnik STV	Tuljava v STV	Zunanja plošča HEX	VKLOP			
	SW3-8 Merilnik toplote	BREZ merilnika toplote	Z merilnikom toplote	IZKLOP			
SW4	SW4-1	---	---	IZKLOP			
	SW4-2	---	---	IZKLOP			
	SW4-3	---	---	IZKLOP			
	SW4-4 Delovanje samo notranje enote (med namestitvenimi deli) *4	Neaktivno	Aktivno	IZKLOP			
	SW4-5 Zasilni način (samo delovanje grelca)	Normal	Zasilni način (samo delovanje grelca)	IZKLOP *5			
	SW4-6 Zasilni način (delovanje kotla)	Normal	Zasilni način (delovanje kotla)	IZKLOP *5			
SW5	SW5-1	---	---	IZKLOP			
	SW5-2 Napredna samodejna prilagoditev	Neaktivno	Aktivno	VKLOP			
	SW5-3	Koda zmogljivosti					
	SW5-4		SW5-3	SW5-4	SW5-5	SW5-6	SW5-7
	SW5-5	E**T**C-M**D	VKLOP	VKLOP	VKLOP	VKLOP	IZKLOP
	SW5-6	E**T**D-M**D	VKLOP	IZKLOP	IZKLOP	VKLOP	IZKLOP
	SW5-7	E**T**X-M**D*	IZKLOP	IZKLOP	IZKLOP	IZKLOP	IZKLOP
	SW5-8	---	---	---	---	---	IZKLOP
SW6	SW6-1	---	---	IZKLOP			
	SW6-2	---	---	IZKLOP			
	SW6-3 Tlačni senzor	Neaktivno	Aktivno	IZKLOP: Razen E*ST**D-M**D VKLOP : E*ST**D-M**D			
	SW6-4 Analogni izhodni signal (0–10 V)	Neaktivno	Aktivno	IZKLOP			
	SW6-5	---	---	---	IZKLOP		

<Tabela 5.1.1>

- Opomba: *1. Ko je enota boljlerja priključena na zunanjo enoto PUMY-P, z najvišjo temperaturo izhodne vode 55 °C, je treba stikalo DIP SW1-2 preklpiti na IZKLOP.
 *2. Na voljo bo zunanji izhod (OUT11). Iz varnostnih razlogov ta funkcija ni na voljo v primeru določenih napak. (V tem primeru je treba zaustaviti delovanje sistema in pustiti delovati naprej samo obtočno vodno črpalko.)
 *3. To stikalo deluje samo, če je enota boljlerja povezana z zunanjo enoto PUIZ-FRP. Če je priključena druga vrsta zunanje enote, je način gretja aktiven ne glede na to, ali je stikalo v položaju za VKLOP ali IZKLOP.
 *4. Gretje prostorov in sistema za pripravo sanitarne tople vode (STV) se lahko uporablja samo skupaj z notranjo enoto, kot je električni grelnik. (Glejite »5.4 Delovanje samo notranje enote«.)
 *5. Če zasilni način ni več potreben, preklpite stikalo v položaj za IZKLOP.
 *6. Aktivno samo, ko je SW3-6 nastavljen na IZKLOP.

5 Nastavitev sistema

5.2 Povezovanje vhodov/izhodov



<Slika 5.2.1>

Specifikacija ožičenja in obstoječi deli

Element	Ime	Model in specifikacije
Funkcija vhodnega signala	Žica vhodnega signala	Uporabite z vinilom prevlečene kable. Največ 30 m Vrsta žice: CV, CVS ali enakovredno Velikost žice: Vpredena žica od 0,13 mm ² do 0,52 mm ² Polna žica: ø0,4 mm do ø0,8 mm
	Stikalo	Napetostni kontaktni signali »a« Daljinsko stikalo: najmanjša uporabna obremenitev 12 V, enosmerni tok, 1 mA

Opomba:

Vpredeno žico je treba obdelati z izolirano sponko (DIN46228-4 standardni združljivi tip).

Vhodni signal

Ime	Skupina sponk	Priključek	Element	IZKLOP (Odprto)	VKLOP (v kratkem)
IN1	TBI.1 7-8	—	Vhod prostorskega termostata 1 *1	Glejte SW2-1 v <5.1 Funkcije stikala DIP>.	
IN2	TBI.1 5-6	—	Vhod stikala pretoka 1	Glejte SW2-2 v <5.1 Funkcije stikala DIP>.	
IN3	TBI.1 3-4	—	Vhod stikala pretoka 2 (cona 1)	Glejte SW3-2 v <5.1 Funkcije stikala DIP>.	
IN4	TBI.1 1-2	—	Vhod za odjem	Normal	Vir toplote IZKLOPLJEN/delovanje kotla *3
IN5	TBI.2 7-8	—	Vhod zunanega termostata *2	Standardno delovanje	Vir toplote/delovanje kotla *3
IN6	TBI.2 5-6	—	Vhod prostorskega termostata 2 *1	Glejte SW3-1 v <5.1 Funkcije stikala DIP>.	
IN7	TBI.2 3-4	—	Vhod stikala pretoka 3 (cona 2)	Glejte SW3-2 v <5.1 Funkcije stikala DIP>.	
IN8	TBI.3 7-8	—	Merilec električne energije 1	*4	
IN9	TBI.3 5-6	—	Merilec električne energije 2		
IN10	TBI.2 1-2	—	Merilnik toplote		
IN11	TBI.3 3-4	—	Vhod za pametno omrežje	*5	
IN12	TBI.3 1-2	—			
INA1	TBI.4 1-3	CN1A	Tipalo pretoka	—	—

*1. Nastavite čas cikla VKLOPA/IZKLOPA prostorskega termostata za 10 minut ali več; v nasprotnem primeru se lahko kompresor poškoduje.

*2. Če za nadzorovanje delovanja grelcev uporabljate zunanji termostat, to lahko skrajša življenjsko dobo grelcev in pripadajočih delov.

*3. Če želite vklopiti delovanje kotla, s pomočjo glavnega daljinskega krmilnika izberite »Kotel« na zaslonu »Nastavitve zunanjega vhoda« v servisnem meniju.

*4. Merilec električne energije in merilnik toplote, ki ju je mogoče povezati

- Vrsta impulza Breznapetostni kontakt za zaznavanje 12 V enosmernega toka s FTC (zatič TBI.2 1 ter zatiča TBI.3 5 in 7 imajo pozitivno napetost.)
- Trajanje impulza Najkrajši čas VKLOPA: 40 ms
Najkrajši čas IZKLOPA: 100 ms
- Možna impulzna enota 0,1 impulz/kWh 1 impulz/kWh 10 impulz/kWh
100 impulz/kWh 1000 impulz/kWh

Te vrednosti lahko nastavite z glavnim daljinskim krmilnikom. (Glejte drevesni meni »Glavni daljinski krmilnik«.)

*5. Za pametna omrežja glejte »5.5 Pametna omrežja«.

Vhodi termistorja

Ime	Skupina sponk	Priključek	Element	Opcijski delni model
TH1	—	CN20	Termistor (temp. prostora) (možnost)	PAC-SE41TS-E
TH2	—	CN21	Termistor (ref. temp. tekočine)	—
THW1	—	CNW12 1-2	Termistor (temp. pretoka vode)	—
THW2	—	CNW12 3-4	Termistor (temp. povratne vode)	—
THW5A	—	CNW5 1-2	Termistor (rezervoar STV z višjo temperaturo vode)	—
THW5B	—	CNW5 3-4	Termistor (rezervoar STV z nižjo temperaturo vode)	—
THW6	TBI.5 7-8	—	Termistor (temp. pretoka vode, cona 1) (možnost) *1	PAC-TH011-E
THW7	TBI.5 5-6	—	Termistor (temp. povratne vode, cona 1) (možnost) *1	
THW8	TBI.5 3-4	—	Termistor (temp. pretoka vode, cona 2) (možnost) *1	PAC-TH011-E
THW9	TBI.5 1-2	—	Termistor (temp. povratne vode, cona 2) (možnost) *1	
THWB1	TBI.6 7-8	—	Termistor (temp. pretoka vode v kotlu) (možnost) *1	PAC-TH012HT-E(5 m)/
THW10	TBI.6 5-6	—	Termistor (temp. vode v mešalnem rezervoarju) (možnost) *1	PAC-TH012HTL-E(30 m)

Ožičenje termistorja naj se nahaja stran od električnega voda in/ali OUT1 do 16 žic.

*1. Največja dolžina ožičenja termistorja je 30 m.

Dolžina opsijskih termistorjev je 5 m. Če želite žice povezati in podaljšati, morate izvesti naslednje korake.

1) Žice povežite s spajkanjem.

2) Vsako priključno točko izolirajte pred prahom in vodo. Vpredeno žico je treba obdelati z izolirano sponko (DIN46228-4 standardni združljivi tip).

5 Nastavitev sistema

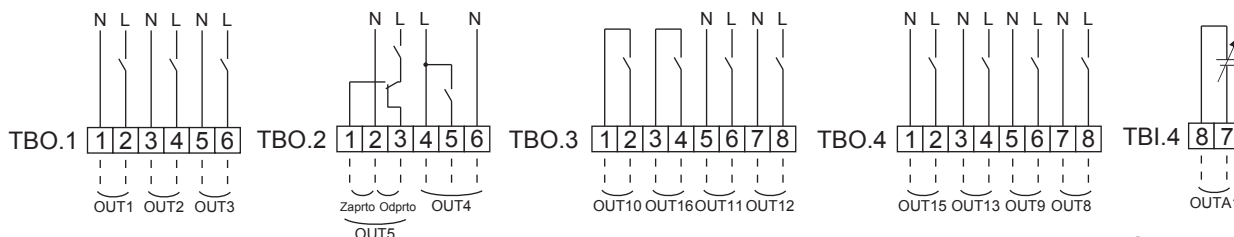
Izhodi

Ime	Skupina sponk	Priključek	Element	IZKLOP	VKLOP	Signal/največji tok	Največji skupni tok
OUT1	TBO.1 1-2	CNP1	Izhod obtočne vodne črpalke 1 (gretje/hlajenje prostora in STV)	IZKLOP	VKLOP	230 V, izmenični tok, največ 1,0 A (vklopni tok, največ 40 A)	4,0 A (a)
OUT2	TBO.1 3-4	—	Izhod obtočne vodne črpalke 2 (gretje/hlajenje prostora za cono 1)	IZKLOP	VKLOP	230 V, izmenični tok, največ 1,0 A (vklopni tok, največ 40 A)	
OUT3	TBO.1 5-6	—	Izhod obtočne črpalke 3 (gretje/hlajenje prostora za cono 2) *1 Izhod 2-potnega ventila 2b *2	IZKLOP	VKLOP	230 V, izmenični tok, največ 1,0 A (vklopni tok, največ 40 A)	
OUT14	—	CNP4	Izhod obtočne vodne črpalke 4 (STV)	IZKLOP	VKLOP	230 V, izmenični tok, največ 1,0 A (vklopni tok, največ 40 A)	
OUT4	TBO.2 4-6	CNV1	Izhod 3-potnega ventila (2-potni ventil)	Gretje	STV	230 V, izmenični tok, največ 0,1 A	3,0 A (b)
	—	CN851	Izhod 3-potnega ventila				
OUT5	TBO.2 1-2	—	Izhod mešalnega ventila *1	Zaustavitev	Zaprto	230 V, izmenični tok, največ 0,1 A	
	TBO.2 2-3			Odprto			
OUT6	—	CNBH 1-3	Izhod pomožnega električnega grelca 1	IZKLOP	VKLOP	230 V, izmenični tok, največ 0,5 A (rele)	
OUT7	—	CNBH 5-7	Izhod pomožnega električnega grelca 2	IZKLOP	VKLOP	230 V, izmenični tok, največ 0,5 A (rele)	
OUT8	TBO.4 7-8	—	Izhod signala hlajenja	IZKLOP	VKLOP	230 V, izmenični tok, največ 0,5 A	
OUT9	TBO.4 5-6	CNIH	Izhod potopnega grelca	IZKLOP	VKLOP	230 V, izmenični tok, največ 0,5 A (rele)	
OUT11	TBO.3 5-6	—	Izhod napake	Normal	Napaka	230 V, izmenični tok, največ 0,5 A	
OUT12	TBO.3 7-8	—	Izhod odmrzovanja	Normal	Odmrzovanje	230 V, izmenični tok, največ 0,5 A	
OUT13	TBO.4 3-4	—	Izhod 2-potnega ventila 2a *2	IZKLOP	VKLOP	230 V, izmenični tok, največ 0,1 A	
OUT15	TBO.4 1-2	—	Signal VKLOP	IZKLOP	VKLOP	230 V, izmenični tok, največ 0,5 A	
OUT10	TBO.3 1-2	—	Izhod kotla	IZKLOP	VKLOP	nenapetostni kontakt 220 - 240 V, izmenični tok (30 V, enosmerni tok) 0,5 A ali manj 10 mA 5 V, enosmerni tok ali več	—
OUT16	TBO.3 3-4	—	Signal VKLOP term. za gretje/hlajenje	IZKLOP	VKLOP		
OUTA1	TBI.4 7-8	—	Analogni izhod	0 - 10 V		0 - 10 V, enosmerni tok, največ 5 mA	—

Ne priključite na sponko, ki je označena z »—« v stolpcu »Skupina sponk«.

* 1 Za 2-consko uravnavanje temperature.

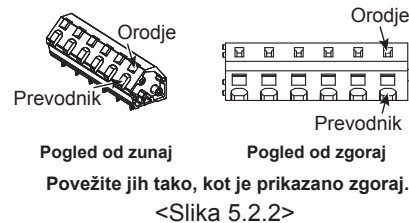
* 2 Za 2-conski ventil za nadzor VKLOPA/IZKLOPA.



Kako uporabljati TBO.1 do 4

Specifikacija ožičenja in obstoječi deli

Element	Ime	Model in specifikacije
Funkcija zunanjskega izhoda	Izhodi žice	Uporabite z vinilom prevlečene kable. Največ 30 m Vrsta žice: CV, CVS ali enakovredno Velikost žice: Vpredena žica od 0,25 mm ² do 1,5 mm ² Polna žica: ø0,57 mm do ø1,2 mm



Povežite jih tako, kot je prikazano zgoraj.
<Slika 5.2.2>

Opomba:

- Kadar se enota bojlerja napaja prek zunanje enote, je največji skupni tok (a) + (b) = 3,0 A.
- Ne priključite več obtočnih vodnih črpalk neposredno na vsak izhod (OUT1, OUT2 in OUT3). V takem primeru jih priključite preko releja.
- Obtočne vodne črpalke ne priključujte hkrati na TBO.1 1-2 in CNP1.
- Priključite ustrezni dušilniki električnega udara na OUT10 (TBO.3 1-2) skladno z obremenitvijo.
- Vpredeno žico je treba obdelati z izolirano sponko (DIN46228-4 standardni združljivi tip).
- Za ožičenje OUTA1 uporabite isto kot za žico vhodnega signala.

5.3 Ožičenje za 2-consko uravnavanje temperature

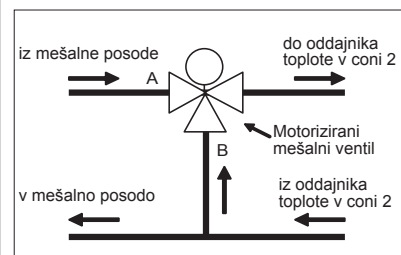
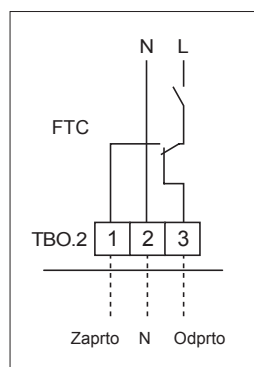
Priključite cevovod in obstoječe dele skladno z ustreznim tokokrogom, prikazanim v shemi »Lokalni sistem« v 3. oddelku tega priročnika.

<Mešalni ventil>

Priključite signalno linijo, da odprete vrata A (vrata za dovod tople vode) do TBO. 2-3 (odprto), signalno linijo, da odprete vrata B (vrata za dovod hladne vode) do TBO. 2-1 (zaprto) in nevtralno končno žico do TBO. 2-2 (N).

<Termistor>

- Termistorjev ne nameščajte na mešalno posodo.
- Termistor temp. pretoka za cono 2 (THW8) namestite v bližini mešalnega ventila.
- Največja dolžina ožičenja termistorja je 30 m.
- Dolžina opcjskih termistorjev je 5 m. Če je žice treba povezati in podaljšati, izvedite naslednje korake.
 - Žice povežite s spajkanjem.
 - Vsako priključno točko izolirajte pred prahom in vodo.



5 Nastavitev sistema

5.4 Delovanje samo notranje enote (med namestitvenimi deli)

V primerih, ko morata STV ali gretje delovati pred priključitvijo zunanje enote, t.j. med namestitvenimi deli, se lahko uporabi električni grelec v notranji enoti (*1).

*1 Samo model z električnim grelcem.

1. Za začetek delovanja

- Preverite, ali je napajanje notranje enote izklopljeno in obrnite stikali DIP 4-4 in 4-5 na VKLOP.
- VKLOPITE napajanje notranje enote.

2. Za konec delovanja *2

- IZKLOPITE napajanje notranje enote.
- Obrnite stikali DIP 4-4 in 4-5 na IZKLOP.

*2 Ko se delovanje notranje enote zaključi, preverite nastavitve po priključitvi zunanje enote.

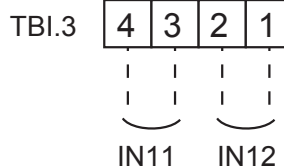
Opomba:

Podaljšano delovanje tega postopka lahko vpliva na življenjsko dobo električnega grelca.

5.5 Pametno omrežje

Pri delovanju STV ali gretju lahko uporabite ukaze iz spodnje tabele.

IN11	IN12	Pomen
IZKLOP (odprto)	IZKLOP (odprto)	Običajni način delovanja
VKLOP (v kratkem)	IZKLOP (odprto)	Priporočilo za vklop
IZKLOP (odprto)	VKLOP (v kratkem)	Ukaz za izklop
VKLOP (v kratkem)	VKLOP (v kratkem)	Ukaz za vklop



5.6 Uporaba pomnilniške kartice SD

Enota bolj je opremljena z vmesnikom pomnilniške kartice SD v FTC.

Z uporabo pomnilniške kartice SD lahko poenostavite glavne nastavitve daljinskega krmilnika in shranite dnevnik delovanja. *1

*1 Za urejanje glavnih nastavitev daljinskega krmilnika ali za preverjanje operativnih podatkov potrebujete servisno orodje Ecodan (za uporabo z osebnim računalnikom).

<Previdnostni ukrepi pri ravnanju>

- (1) Uporabljajte pomnilniško kartico SD, ki ustreza standardom SD. Preverite, če je na pomnilniški kartici SD eden od logotipov, ki so prikazani na desni strani.
- (2) Pomnilniške kartice SD po standardih SD vključujejo pomnilniške kartice SD, SDHC, mini SD, micro SD in micro SDHC. Na voljo so zmogljivosti do 32 GB. Izberite kartico z največjo dovoljeno temperaturo 55 °C.
- (3) Če je pomnilniška kartica SD miniSD, mini SDHC, micro SD ali micro SDHC, uporabite pretvorni adapter pomnilniške kartice SD.
- (4) Pred zapisovanjem na pomnilniško kartico SD sprostite stikalo za zaščito pred



- (5) Preden pomnilniško kartico SD vstavite ali odstranite, izklopite sistem. Če pomnilniško kartico SD vstavite ali odstranite, ko je sistem vklopljen, se lahko shranjeni podatki poškodujejo ali pa se pomnilniška kartica SD poškoduje. *Po izklopu sistema deluje pomnilniška kartica SD za kratek čas. Preden pomnilniško kartico vstavite ali odstranite, počakajte, da se izklopijo luči LED na nadzorni plošči FTC.
- (6) Postopki branja in zapisovanja so bili preverjeni z uporabo naslednjih pomnilniških kartic SD, vendar ti postopki niso vedno zagotovljeni, saj se lahko specifikacije teh pomnilniških kartic SD spremenijo.

(7) Upoštevajte navodila in zahteve proizvajalca pomnilniške kartice SD.

(8) Pomnilniško kartico SD formatirajte, če je v koraku (6) ugotovljeno, da je ni mogoče prebrati. Tako jo bo morda mogoče prebrati.

S spodnje spletne strani prenesite program za formatiranje kartice SD.

Domača stran združenja SD Association: <https://www.sdcard.org/home/>

(9) FTC podpira datotečni sistem FAT, ne pa datotečnega sistema NTFS.

(10) Podjetje Mitsubishi Electric ne prevzema odgovornosti za škodo, v celoti ali delno, vključno z okvaro pri zapisovanju na pomnilniško kartico SD ter poškodbo in izgubo shranjenih podatkov ali podobno. Po potrebi varnostno kopirajte shranjene podatke.

(11) Pri vstavljanju ali odstranjevanju pomnilniške kartice SD se ne dotikajte elektronskih delov na nadzorni plošči FTC, sicer lahko nadzorna plošča odpove.

Logotipi



Zmogljivosti

2 GB do 32 GB *2

Hitrostni razredi SD

Vsi

- Logotip SD je blagovna znamka družbe SD-3C, LLC.
- Logotip mini SD je blagovna znamka družbe SD-3C, LLC.
- Logotip micro SD je blagovna znamka družbe SD-3C, LLC.

*2 Pomnilniška kartica SD velikosti 2 GB hrani dnevnik delovanja do 30 dni.

Proizvajalec	Model	Preizkušeno
Verbatim	#44015	Mar. 2012
SanDisk	SDSDB-002G-B35	Okt. 2011
Panasonic	RP-SDP04GE1K	Okt. 2011
Arvato	2GB PS8032 TSB 24nm MLC	Jun. 2012
Arvato	2GB PS8035 TSB A19nm MLC	Jul. 2014
SanDisk	SDSDUN-008G-G46	Okt. 2016
Verbatim	#43961	Okt. 2016
Verbatim	#44018	Okt. 2016
VANTASTEK	VSDHC08	Sep. 2017

Pred uporabo nove pomnilniške kartice SD (vključno s kartico, ki je priložena enoti) vedno preverite, ali lahko pomnilniško kartico SD mogoče varno preberate in nanjo zapisujete s krmilnikom FTC.

<Kako preverite postopke branja in zapisovanja>

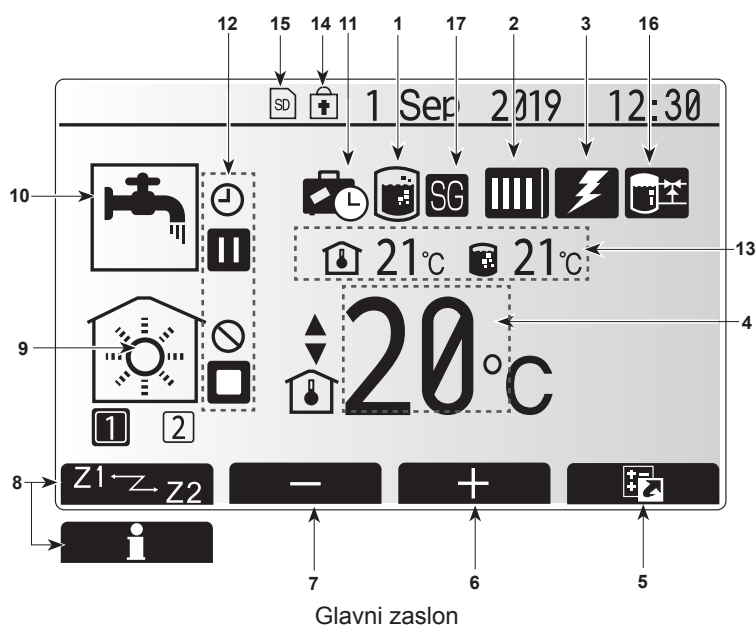
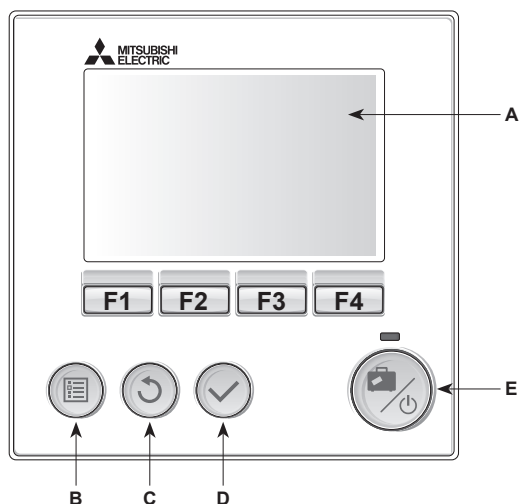
- a) Preverite, ali je napajanje pravilno priključeno na sistem. Za več podrobnosti glejte oddelek 4.5. (Na tej točki ne vklopite sistema.)
- b) Vstavite pomnilniško kartico SD.
- c) Vključite sistem.
- d) Luč LED4 sveti, če so postopki branja in zapisovanja uspešno končani. Če luč LED4 še naprej utripa ali ne sveti, pomnilniške kartice SD ni mogoče prebrati ali na njo zapisovati s krmilnikom FTC.

5 Nastavitev sistema

5.7 Glavni daljinski krmilnik

Za spreminjanje nastavitve sistema za ogrevanje/hlajenje uporabljajte glavni upravljalni upravljalnik, ki je na sprednji strani bojlerske enote ali enote hydrobox. V nadaljevanju je vodič za pregledovanje glavnih nastavitvev. Če potrebujete več podatkov, stopite v stik s svojim monterjem ali lokalnim trgovcem Mitsubishi Electric.

Način hlajenja je na voljo samo za serijo ERS. Vendar pa način hlajenja ni na voljo, če je notranja enota povezana s PUAZ-FRP.



<Deli glavnega daljinskega upravljalnika>

Črka	Ime	Funkcija
A	Zaslon	Zaslon, na katerem so prikazane informacije.
B	Meni	Dostop do nastavitve sistema za začetno nastavljanje in spreminjanje nastavitvev.
C	Nazaj	Premik nazaj v prejšnji meni.
D	Potrditev	Uporablja se za izbiro ali shranjevanje. (Tipka Enter)
E	Napajanje/ prazniki	Če je sistem izklopljen, ga vklopite z enkratnim pritiskom tipke. Če tipko pritisnete znova, medtem ko je sistem vklopljen, se omogoči način praznikov. Če držite tipko pritisnjeno 3 sekunde, se sistem izklopi. (*1)
F1-4	Funkcijske tipke	Uporabljajo se za pomikanje po meniju in prilagajanje nastavitvev. Funkcijo določa meni posameznega zaslona, ki je viden na zaslonu A.

*1

Kadar se sistem izklopi ali je električno napajanje odklopljeno, funkcije za zaščito enote bojlerja (npr. protizmrazovalna zaščita) NE BODO delovale. Če te varnostne funkcije niso omogočene, lahko pride do poškodb enote bojlerja.

<Ikone na glavnem zaslonu>

Ikona	Opis	
1	Preprečevanje Legionelle Kadar je prikazana ta ikona, je aktiven »način preprečevanja Legionelle«.	
2	Toplotna črpalka <ul style="list-style-type: none"> »Toplotna črpalka« deluje. Odmrzovanje Zasilno ogrevanje Aktiviran je »tihi način«. 	
3	Električni grelnik Kadar je prikazana ta ikona, so v uporabi »električni grelniki« (pospeševalni ali potopni grelnik).	
4	Ciljna temperatura <ul style="list-style-type: none"> Ciljna temperatura toka Ciljna temperatura prostora Kompenzacijska krivulja 	
5	MOŽNOST S pritiskom funkcijskega gumba pod to ikono se prikaže zaslon možnosti.	
6	+	Zvišanje zelene temperature.
7	-	Znižanje zelene temperature.
8	Z1 Z2 Podatki S pritiskom funkcijskega gumba pod to ikono se prikaže zaslon s podatki.	
9	Način gretja/hlajenja prostora <ul style="list-style-type: none"> Način ogrevanja Cona1 ali Cona2 Način hlajenja Cona1 ali Cona2 	
10	Način DHW	Običajni ali EKO način
11	Način praznikov Kadar je prikazana ta ikona, je aktiven »način praznikov«.	
12	<ul style="list-style-type: none"> Časovnik Prepovedano Nadzor prek strešnika V pripravljenosti V pripravljenosti (*2) Zaustavitev Delovanje 	
13	Trenutna temperatura <ul style="list-style-type: none"> Trenutna temperatura prostora Trenutna temperatura vode rezervoarja DHW 	
14	<ul style="list-style-type: none"> Gumb za meni je zaklenjen ali pa je preklapljanje med načinom delovanja STV in načinom gretjem onemogočeno na zaslonu možnosti. (*3) 	
15	<ul style="list-style-type: none"> Pomnilniška kartica SD je vstavljena. Normalni način delovanja. Pomnilniška kartica SD je vstavljena. Nepravilno delovanje. 	
16	Nadzor vmesnega rezervoarja Kadar je prikazana ta ikona, je aktiven »Nadzor vmesnega rezervoarja«.	
17	Pametno omrežje Kadar je prikazana ta ikona, je aktivno »Pametno omrežje«.	

*2 Ta enota je v načinu pripravljenosti, druga(e) notranja(e) enota(e) pa deluje(jo) po prednostnem vrstnem redu.

*3 Za zaklepanje ali odklepanje menija držite tipki NAZAJ in POTRDIJEV pritisnjeni skupaj tri sekunde.

5 Nastavitev sistema

■ [Pomoč za začetne nastavitve]

Ko prvič vklopite glavni daljinski krmilnik, se zaslon samodejno pomakne na zaslon za nastavev jezika, zaslon za nastavev datuma in časa ter zaslon glavnega menija z nastavitvami. S pomočjo funkcijskih tipk vnesite želeno številko in pritisnite POTRDI.

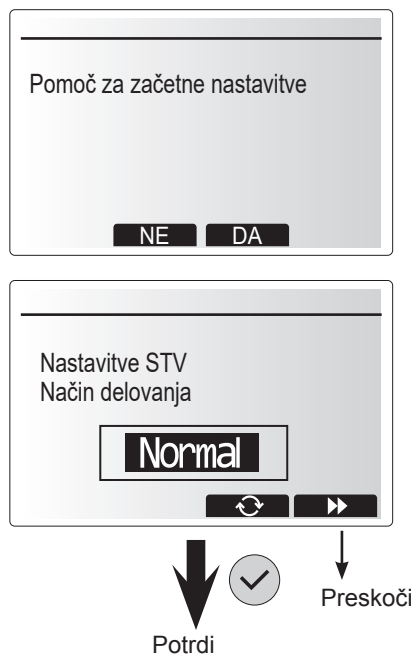
Opomba:

<OMEJITEV MOČI GRELCEV>

Ta nastavev omejuje moč pomožnega električnega grelca. Nastavitve po zagonu NI mogoče spremeniti.

Če v vaši državi nimate nobenih posebnih zahtev (kot so gradbeni predpisi), preskočite to nastavev (izberite »Ne«).

- [Vroča voda (STV/Anti-legionella)]
- [Gretje/hlajenje]
- [Delovanje (VKLOP/prepovedano/časovnik)]
- [Hitrost črpalke]
- [Območje pretoka črpalke]
- [Nadzor mešalnega ventila]
- [OMEJITEV MOČI GRELCEV]



■ Meni glavnih nastavitvev

Do glavnega menija z nastavitvami lahko dostopate s pritiskom na gumb MENU. Da bi zmanjšali tveganje, da nepoučeni končni uporabniki naključno spremenijo nastavitve, sta na voljo dva nivojska dostopa; odsek servisnega menija pa je zaščiten z geslom.

Uporabniška raven – kratek pritisk

Če na kratko pritisnete gumb MENU, se prikažejo glavne nastavitve, vendar brez funkcije za urejanje. To bo uporabniku omogočilo, da si ogleda trenutne nastavitve, vendar **NE MORE** spreminjati parametrov.

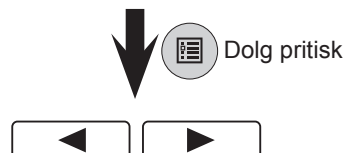
Namestitvena raven – dolg pritisk

Če gumb MENU pritisnete in držite 3 sekunde, se prikažejo glavne nastavitve z vsemi razpoložljivimi funkcijami.

Barva gumbov ◀▶ se spremeni, kot je prikazano na desni sliki. <Sl. 5.7.1>



Glavni meni



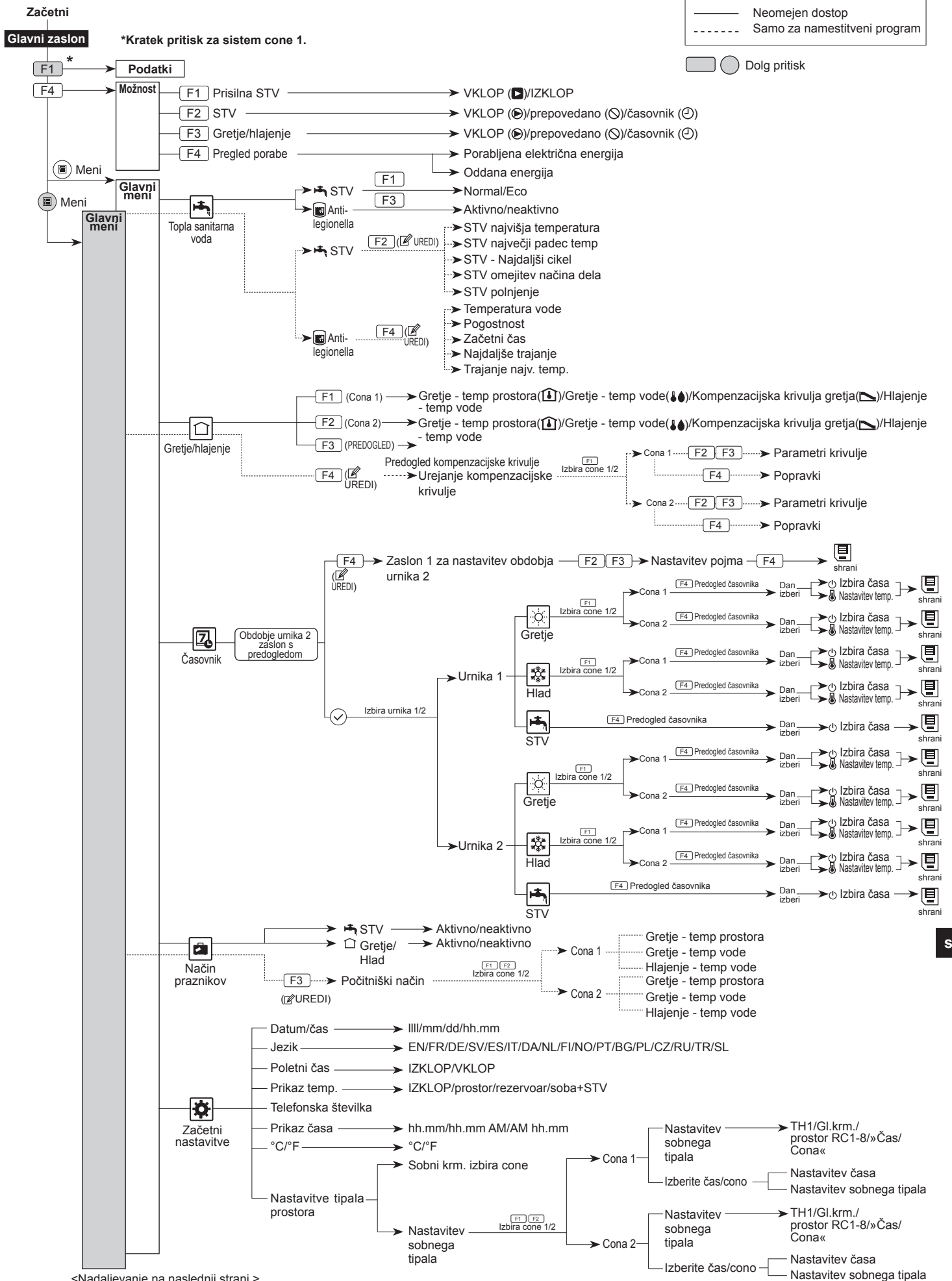
<Sl. 5.7.1>

Pregledujete in/ali urejate lahko naslednje elemente (odvisno od ravni dostopa).

- [Sanitarna topla voda (STV)]
- [Ogrevanje/hlajenje]
- [Časovnik urnika]
- [Način praznikov]
- [Začetne nastavitve]
- [Servis (Zaščiten z geslom)]

5 Nastavitev sistema

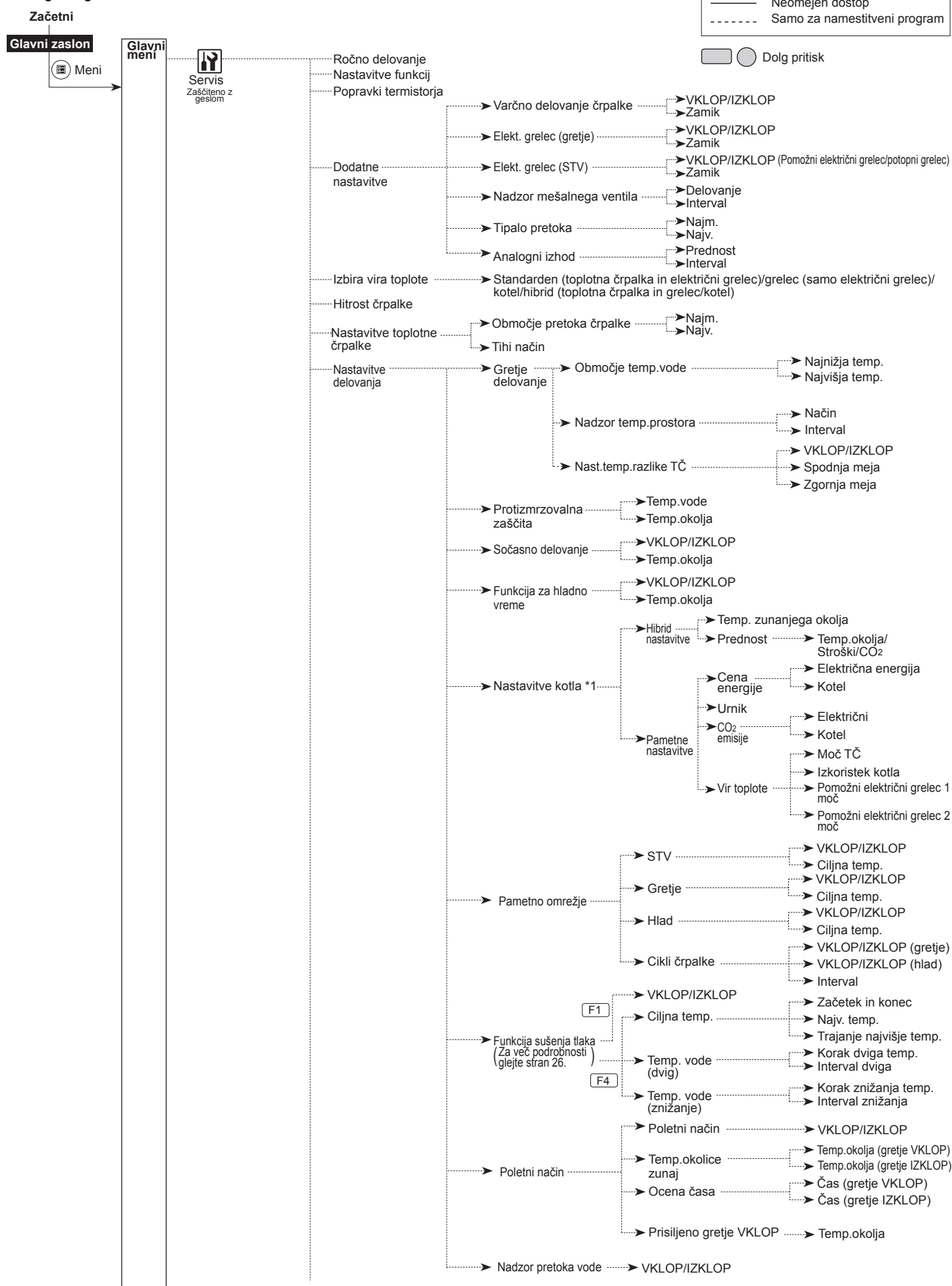
<Meni glavnega krmilnika>



5 Nastavitev sistema

<Nadaljevanje s prejšnje strani.>

<Meni glavnega krmilnika>

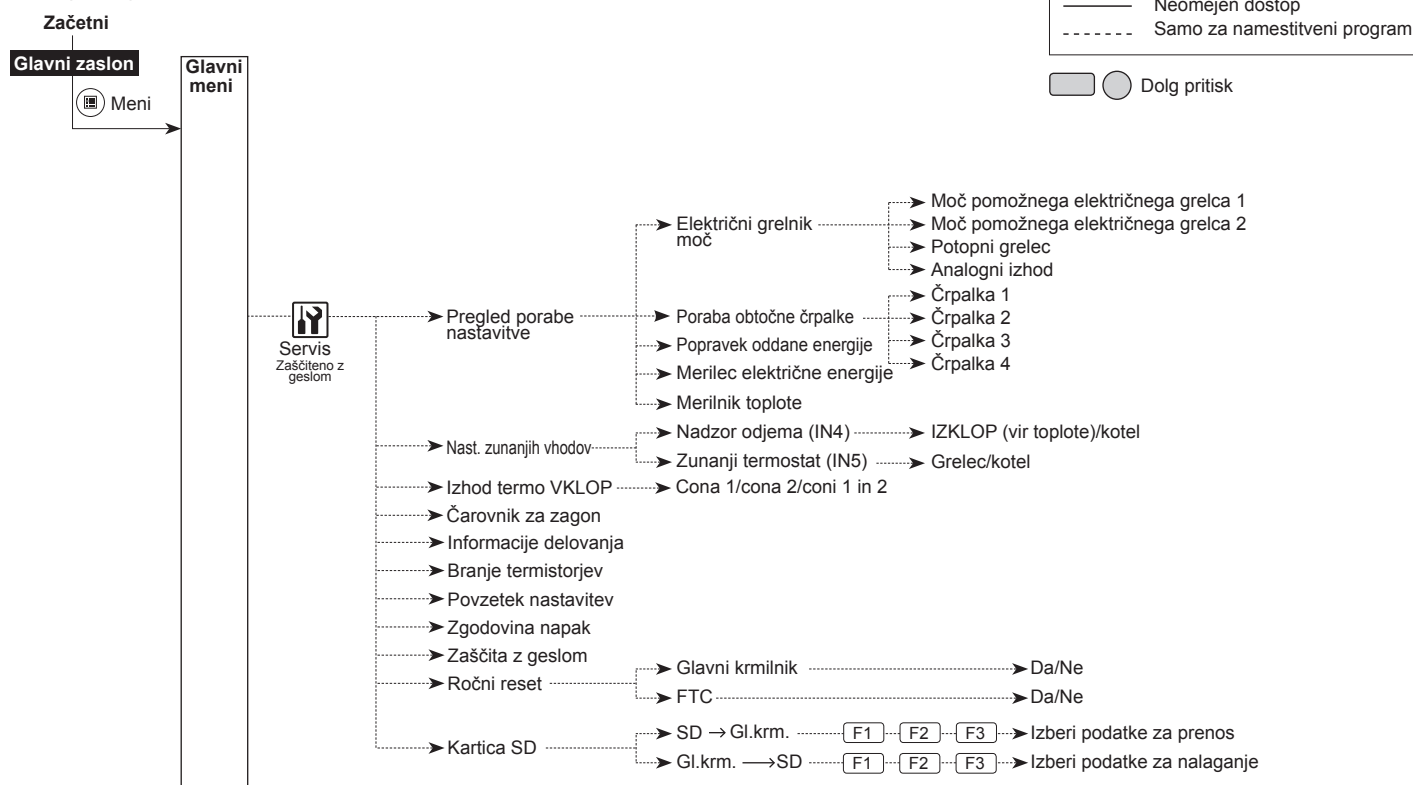


*1 Za več podrobnosti glejte priročnik za namestitev PAC-TH012HT-(L)E.

5 Nastavitev sistema

<Nadaljevanje s prejšnje strani.>

<Meni glavnega krmilnika>



Sanitarna topla voda (STV)/preprečevanje Legionelle

Meniji za sanitarno toplo vodo in preprečevanje Legionelle nadzorujejo delovanje segrevanja sanitarne vode STV.

<Nastavitve načina STV>

1. Označite ikono za toplo vodo in pritisnite POTRDI.
2. S tipko F1 preklopite med načinoma gretja Normal in ECO.
3. Za urejanje načina pritisnite tipko MENU in držite 3 sekunde, nato izberite »topla voda«.
4. Pritisnite tipko F2 za prikaz menija NASTAVITEV TOPLE VODE (STV).
5. S tipkama F2 in F3 se pomikajte po meniju in izberite komponento tako, da pritisnete POTRDI. Za opis posamezne nastavitve si oglejte spodnjo tabelo.
6. S pomočjo funkcijskih tipk vnesite zeleno številko in pritisnite POTRDI.



Podnaslov menija	Funkcija	Območje	Enota	Privzeta vrednost
STV najvišja temperatura	Želena temperatura shranjene tople vode	40–60	°C	50
STV največji padec temp	Razlika v temperaturi med STV najvišjo temperaturo in temperaturo, pri kateri se način STV znova zažene	5–30 *	°C	10
STV - Najdaljši cikel	Najd. čas, potreben za gretje sanitarne vode v načinu STV	30–120	min	60
STV omejitev načina dela	Časovno obdobje po načinu STV, kadar ima gretje prostora prednost pred načinom STV, ki začasno preprečuje nadaljnje gretje shranjene vode (Samo, ko je minil najdaljši čas delovanja STV.)	30–120	min	30

* Ko je najv. temp. STV nastavljena na več kot 55°C, temperatura, pri kateri se način STV znova zažene, mora biti zaradi zaščite naprave nižja od 50°C.

<Način Eco>

Način STV lahko deluje v načinu »Normal« ali »Eco«. V načinu Normal se bo voda v rezervoarju STV hitreje segrevala z uporabo polne moči toplotne črpalke. V načinu Eco gretje vode v rezervoarju STV traja dlje, vendar je poraba energije manjša. Temu je tako, ker je delovanje toplotne črpalke omejeno z uporabo signalov FTC glede na izmerjeno temperaturo v rezervoarju STV.

Opomba: Dejanska energija, ki jo privarčujete v načinu Eco, se spreminja glede na zunanjo temperaturo okolice.

<[STV polnjenje]>

Izberite količino STV. Če potrebujete veliko tople vode, izberite VELIKO, vendar povečalo obratovalne stroške.

Vrnite se v meni za STV/ preprečevanje Legionelle.

sl

5 Nastavitev sistema

Nastavitve načina preprečevanja Legionelle (način PL)

- Z gumbom F3 izberite aktivni način Anti-legionella DA/NE.
- Za uredjanje funkcije Anti-legionella pritisnite gumb MENU in držite 3 sekunde in nato izberite »topla voda«, nakar pritisnite tipko F4.
- S tipkama F1 in F2 se pomikajte po meniju in izberite podnapis tako, da pritisnete POTRDI. Za opis posamezne nastavitve si oglejte spodnjo tabelo.
- S pomočjo funkcijskih tipk vnesite zeleno številko in pritisnite POTRDI.

V načinu preprečevanja Legionelle se temperatura shranjene vode dvigne nad 60°C, kar prepreči rast bakterije Legionelle. Zelo priporočljivo je, da to opravljate v rednih časovnih presledkih. Prosimo, preverite lokalne predpise glede priporočenih intervalov segrevanja.

Opomba: Če pride na enoti hydrobox do okvare, lahko način PL ne deluje pravilno.

Podnaslov menija	Funkcija	Območje	Enota	Privzeta vrednost
Temperatura vode	Želena temp. shranjene tople vode	60–70	°C	65
Pogostnost	Čas med segrevanjem sanitarne vode STV v načinu PL	1–30	dni	15
Začetni čas	Čas, ko se začne način PL	0.00–23.00	-	03.00
Najdaljše trajanje	Najdaljši čas, ki je dovoljen za grejje STV v načinu PL	1–5	ur	3
Trajanje najv. temp.	Časovno obdobje po načinu PL, ko je zelena temperature vode dosežena	1–120	min	30

Upoštevajte, da način PL uporablja pomoč električnih grelcev za dopolnitev vnosa energije toplotne črpalke. Grejje vode za daljše časovno obdobje ni učinkovito in bo povečalo obratovalne stroške. Monter mora skrbno pretehtati, če obstaja potreba po preventivnem preprečevanju Legionelle, pri tem pa paziti, da ne troši dodatne energije s segrevanjem shranjene vode za predolga obdobja. Končni uporabnik mora razumeti pomen te funkcije.
VEDNO UPOŠTEVAJTE LOKALNE IN NACIONALNE SMERNICE GLEDE PREPREČEVANJA LEGIONELLE, KI VELJAJO ZA VAŠO DRŽAVO.

[Začetne nastavitve]

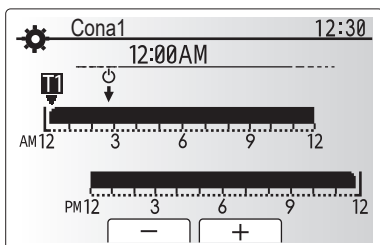
V meniju Začetne nastavitve lahko monter nastavi naslednje postavke.

- [Datum/čas] *Poskrbite, da bosta nastavljena na lokalni standardni čas.
- [Jezik]
- [Poletni čas]
- [Prikaz temp.]
- [Telefonska številka]
- [Prikaz časa]
- [°C/°F]
- [Nastavitve tipala prostora]

Za nastavev sledite postopku, opisanem v poglavju »Splošno delovanje«.

<[Nastavitve tipala prostora]>

Za nastavitve tipala prostora je pomembno izbrati pravilno tipalo, odvisno od načina grejja, v katerem bo sistem deloval.



Zaslon za nastavev urnika časa/cone

Podnaslov menija	Opis																				
Sobni krm. izbira cone	Ko je aktivno 2-conso uravnavanje temperature in so na voljo brezžični daljinski krmilniki, na zaslonu za izbiro cone sobnega krmilnika izberite št. cone, ki jo želite dodeliti vsakemu glavnemu daljinskemu krmilniku.																				
Nastavev sobnega tipala	Iz zaslona za nastavev sobnega tipala izberite sobno tipalo, ki se uporablja za spremljanje sobne temperature ločeno iz cone 1 in cone 2. <table border="1" data-bbox="957 1041 1484 1355"> <thead> <tr> <th rowspan="2">Možnost upravljanja (Spletni priročnik)</th> <th colspan="2">Ustrezna začetna nastavev sobnega tipala</th> </tr> <tr> <th>Cona 1</th> <th>Cona 2</th> </tr> </thead> <tbody> <tr> <td>A</td> <td>Prostor RC 1–8 (en za cono 1 in cono 2)</td> <td>*1</td> </tr> <tr> <td>B</td> <td>TH1</td> <td>*1</td> </tr> <tr> <td>C</td> <td>Glavni daljinski krmilnik</td> <td>*1</td> </tr> <tr> <td>D</td> <td>*1</td> <td>*1</td> </tr> <tr> <td>Ko se skladno z urnikom uporabljajo različna sobna tipala</td> <td>Čas/cona *2</td> <td>*1</td> </tr> </tbody> </table> <p>*1. Ni določeno (če se uporablja obstoječi prostorski termostat) Prostor RC 1–8 (en za cono 1 in cono 2) (če se kot prostorski termostat uporablja brezžični daljinski krmilnik) *2. Na zaslonu za nastavev sobnega tipala izberite Čas/cona, da lahko uporabite različna sobna tipala v skladu z urnikom, nastavljenim v meniju Izbira časa/cone. Sobna tipala se lahko vklopijo do 4-krat v 24 urah.</p>	Možnost upravljanja (Spletni priročnik)	Ustrezna začetna nastavev sobnega tipala		Cona 1	Cona 2	A	Prostor RC 1–8 (en za cono 1 in cono 2)	*1	B	TH1	*1	C	Glavni daljinski krmilnik	*1	D	*1	*1	Ko se skladno z urnikom uporabljajo različna sobna tipala	Čas/cona *2	*1
Možnost upravljanja (Spletni priročnik)	Ustrezna začetna nastavev sobnega tipala																				
	Cona 1	Cona 2																			
A	Prostor RC 1–8 (en za cono 1 in cono 2)	*1																			
B	TH1	*1																			
C	Glavni daljinski krmilnik	*1																			
D	*1	*1																			
Ko se skladno z urnikom uporabljajo različna sobna tipala	Čas/cona *2	*1																			

[Servisni meni]

Servisni meni ima na voljo funkcije, ki jih lahko uporabljata monter ali serviser. Funkcije znotraj tega menija NISO namenjene uporabniku. Zato je potrebna zaščita z geslom, ki prepreči nepooblaščen dostop do servisnih nastavitvev.

Tovarniško privzeto geslo je »0000«.

Za nastavev sledite postopku, opisanem v poglavju »Splošno delovanje«.

Številnih funkcij ni mogoče nastaviti med delovanjem notranje enote. Monter mora enoto izklopiti preden poskuša nastaviti te funkcije. Če monter poskuša spremeniti nastavitve v času delovanja enote, se bo na glavnem daljinskem krmilniku prikazalo sporočilo z opomnikom, ki bo zahtevalo, da monter pred nadaljevanjem ustavi delovanje enote. Z izbiro »Da« enota preneha delovati.

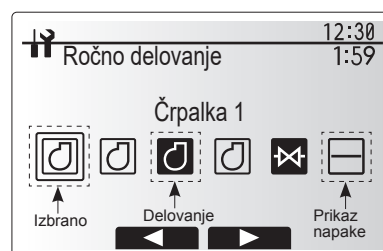
<[Ročno delovanje]>

Med polnjenjem sistema lahko obtočno črpalko primarnega krogotoka in 3-potni ventil ročno ustavite z ročnim načinom delovanja.

Ko je izbrano ročno delovanje, se na zaslonu pojavi majhna ikona časovnika. Ko izberete to funkcijo, ostane enota v ročnem delovanju največ 2 uri. To je zato, da se prepreči nenamerno trajno razveljavitev FTC.

► Primer

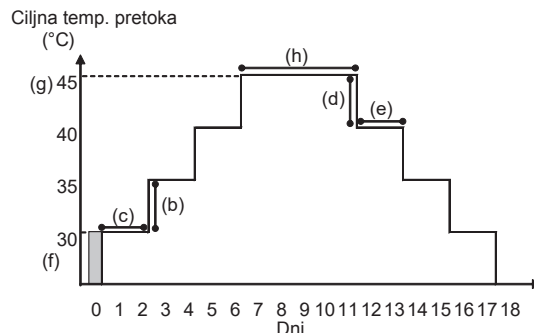
S pritiskom na tipko F3 se vklopi ročni način delovanja za glavni 3-potni ventil. Ko se polnjenje rezervoarja STV zaključi, mora monter ponovno v ta meni in pritisniti tipko F3 za izklop ročnega načina delovanja. Po dveh urah ročni način delovanja ne bo več aktiven, FTC pa lahko nadaljuje s krmiljenjem enote bojljerja.



Zaslon menija ročnega delovanja

5 Nastavitev sistema

Če je sistem vklopljen, ročnega delovanja in vira toplote ni mogoče izbrati. Prikaže se zaslon z vprašanjem monterju, da ustavi sistem, preden se lahko aktivirajo ti načini. Sistem se samodejno ustavi 2 uri po zadnjem delovanju.



- Ta funkcija ni na voljo, ko je priključena zunanja enota PUIZ-FRP.
- Odklopite ožičenje z zunanjimi vhodi prostorskega termostata, nadzora odjema in zunanjim termostatom, sicer se ciljna temperatura pretoka ne bo ohranila.

<[Funkcija sušenja tlaka]>

Funkcija sušenja tlaka samodejno spremeni ciljno temperaturo tople vode v korakih, da postopoma posuši beton v primeru, ko je nameščen ta poseben sistem talnega gretega.

Po zaključku delovanja sistem ustavi vse postopke, razen funkcije Protizmrzovalna zaščita.

Za funkcijo sušenja tlaka je ciljna temperatura pretoka cone1 in cone 2 enaka.

Funkcije	Simbol	Opis	Možnost/območje	Enota	Privzeto	
Funkcija sušenja tlaka	a	Funkcijo nastavite na VKLOP in vklopite sistem z glavnim daljinskim krmilnikom in način sušenja tlaka se bo pričel.	Vklop/izklop	—	Izklop	
Temp. vode (dvig)	Korak dviga temp. vode	b	Nastavi korak dviga ciljne temperature vode.	+1 - +10	°C	+5
	Interval dviga	c	Nastavi obdobje, v katerem se ohrani enaka ciljna temperatura vode.	1-7	dni	2
Temp. vode (znižanje)	Korak znižanja temp. vode	d	Nastavi korak znižanja ciljne temperature vode.	-1 - -10	°C	-5
	Interval znižanja	e	Nastavi obdobje, v katerem se ohrani enaka ciljna temperatura vode.	1-7	dni	2
Ciljna temperatura	Začetek in konec	f	Nastavi ciljno temperaturo vode na začetku in koncu delovanja.	20-60	°C	30
	Najv. ciljna temp.	g	Nastavi najvišjo ciljno temperaturo vode.	20-60	°C	45
	Trajanje najvišje temp.	h	Nastavi obdobje, v katerem se ohrani najvišja ciljna temperatura vode.	1-20	dni	5

<[Zaščita z geslom]>

Zaščita z geslom je na voljo, da se prepreči nepooblaščen dostop do servisnega menija s strani neusposobljenih oseb.

Ponastavitev gesla

Če pozabite geslo, ali če želite servisirati enoto, ki jo je namestil nekdo drug, lahko ponastavite geslo na tovarniško privzeto vrednost **0000**.

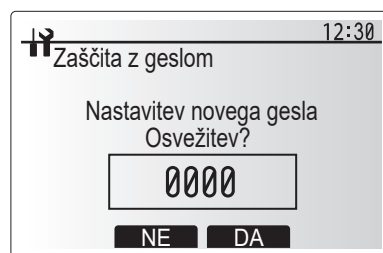
1. V glavnem meniju se pomikajte po funkcijah, dokler ne označite Servisnega menija.
2. Pritisnite POTRDI.
3. Sistem bo zahteval vnos gesla.
4. Sočasno pritisnite gumba F3 in F4 in držite 3 sekunde.
5. Sistem vas bo vprašal, ali želite nadaljevati in ponastaviti geslo na privzeto nastavev.
6. Za ponastavitev pritisnite gumb F3.
7. Geslo je zdaj ponastavljeno na **0000**.

<[Ročni reset]>

Če želite kadarkoli obnoviti tovarniške nastavitve, uporabite funkcijo ročni reset. VSE funkcije bodo ponastavljene na tovarniške privzete nastavitve.



Zaslon za vnos gesla



Zaslon za preverjanje gesla

6 Zagon

■ Vaje pred zagonom – krogotok za pitno vodo/STV

Postopek začetnega polnjenja:

Prepričajte se, da so vsi spoji in priključki cevi zatesnjeni in zavarovani.

Odprite najbolj oddaljeno pipo/odvod STV.

Počasi/postopoma odprite dovod vode, da začne polniti enoto in cevovod STV.

Odprite najbolj oddaljeno pipo in pustite vodo, da teče, ter odzračite/odstranite preostali zrak iz sistema.

Zaprte pipo/odvod, da bo sistem popolnoma napolnjen.

Opomba: Ko je nameščen potopni grelec, ga NE napajajte, dokler rezervoar STV ni napolnjen z vodo. Prav tako NE napajajte nobenega potopnega grelca, če so v rezervoarju STV ostale kakršne koli kemikalije za sterilizacijo, ker to lahko povzroči odpoved grelca.

Postopek začetnega splakovanja:

Začnite napajati sistem, da se vsebina enote bojlerja segreje na temperaturo pribl. 30–40°C.

Vsebinsko sperite/izpraznite, da odstranite morebitne ostanke/nečistoče, ki nastanejo zaradi namestitvenih del. Za varno odvajanje tople vode iz enote bojlerja uporabite drenažni ventil in poskrbite, da voda odteče skozi ustrezno cev.

Ko zaključite, zaprite drenažni ventil, ponovno napolnite sistem in zaženite sistem.

7 Servis in vzdrževanje

■ Kode napak

Koda	Napaka	Ukrep
L3	Zaščita pred pregretjem temperature vode v obtoku	Stopnja pretoka se lahko zmanjša. Preverite: <ul style="list-style-type: none"> • puščanje vode • zamašitev filtra • funkcija obtočne vodne črpalke (med polnjenjem primarnega krogotoka se lahko prikaže koda napake, zaključite s polnjenjem in ponastavite kodo napake.)
L4	Temperatura vode rezervoarja STV je zaščiten pred pregrevanjem	Preverite potopni grelec in rele.
L5	Okvara temperaturnega termistorja notranje enote (THW1, THW2, THW5A, THW5B, THW6, THW7, THW8, THW9)	Preverite odpornost prek termistorja.
L6	Zaščita pred zamrznitvijo vode v obtoku	Glejte ukrep za L3.
L8	Napaka načina gretja	Preverite in ponovno priključite vse termistorje, ki so se morda premaknili.
L9	Nizek pretok primarnega krogotoka, ki ga zazna tipalo pretoka ali stikalo pretoka (stikala pretoka 1, 2, 3)	Glejte ukrep za L3. Če tipalo pretoka ali stikalo pretoka ne deluje, ga zamenjajte. Pozor: Ventili črpalke so lahko vroči.
LA	Okvara tlačnega tipala	Preverite, če je kabel tipala poškodovan ali če so povezave razrahljane.
LB	Visokotlačna zaščita	<ul style="list-style-type: none"> • Pretok ogrevalnega krogotoka se lahko zmanjša. Preverite vodni krogotok. • Ploščni toplotni izmenjevalnik je lahko zamašen. Preverite ploščni toplotni izmenjevalnik. • Okvara zunanje enote. Glejte priročnik za servisiranje zunanje enote.
LC	Zaščita pred pregretjem temperature vode v kotlu	Preverite, ali nastavitvena temperatura kotla za gretje presega omejitve. (Glejte priročnik za termistorje »PAC-TH012HT-E«) Pretok ogrevalnega krogotoka iz kotla se lahko zmanjša. Preverite: <ul style="list-style-type: none"> • puščanje vode, • zamašitev filtra, • funkcija obtočne vodne črpalke.
LD	Okvara temperaturnega termistorja kotla (THWB1)	Preverite odpornost prek termistorja.
LE	Napaka delovanja kotla	Glejte ukrep za L8. Preverite stanje kotla.
LF	Okvara tipala pretoka	Preverite, če je kabel tipala pretoka poškodovan ali če so povezave razrahljane.
LH	Zaščita pred zamrznitvijo vode v kotlu	Pretok ogrevalnega krogotoka iz kotla se lahko zmanjša. Preverite: <ul style="list-style-type: none"> • puščanje vode • zamašitev filtra, • funkcija obtočne vodne črpalke.
LJ	Napaka delovanja STV (vrsta zunanje plošče HEX)	<ul style="list-style-type: none"> • Preverite, če je termistor rezervoarja STV z nižjo temp. vode odklopljen (THW5B). • Pretok tokokroga sanitarne vode se lahko zmanjša. • Preverite delovanje obtočne vodne črpalke. (primarna/za sanitarno vodo)
LL	Napake nastavitve stikal DIP na nadzorni plošči FTC	Pri delovanju kotla preverite, ali je DIP SW1-1 nastavljen na VKLOP (s kotlom) in DIP SW2-6 na VKLOP (z mešalnim rezervoarjem). Za 2-consko uravnavanje temperature preverite, ali je DIP SW2-7 nastavljen na VKLOP (2-conski) in DIP SW2-6 na VKLOP (z mešalnim rezervoarjem).
LP	Razpon pretoka vode za enoto zunanje toplotne črpalke	Preverite namestitve v tabeli 4.3.1 Preverite nastavitve daljinskega krmilnika (Servisni meni/območje pretoka črpalke) Glejte ukrep za L3.
P1	Termistor (sobna temp.) (TH1) okvara	Preverite odpornost prek termistorja.
P2	Termistor (ref. temp. tekočine) (TH2) okvara	Preverite odpornost prek termistorja.
P6	Zaščita proti zmrzovanju ploščnega toplotnega izmenjevalnika	Glejte ukrep za L3. Preverite, ali je količina hladilnega sredstva ustrezna.
J0	Komunikacijska okvara med FTC in brezžičnim sprejemnikom	Preverite, če je povezovalni kabel poškodovan ali če so povezave razrahljane.
J1 - J8	Komunikacijska okvara med brezžičnim sprejemnikom in brezžičnim daljinskim krmilnikom	Preverite, ali je baterija brezžičnega daljinskega krmilnika prazna. Preverite povezavo med brezžičnim sprejemnikom in brezžičnim daljinskim krmilnikom. Preskusite brezžično komunikacijo. (Glejte priročnik za brezžični sistem)
E0 - E5	Komunikacijska okvara med glavnim daljinskim krmilnikom in FTC	Preverite, če je povezovalni kabel poškodovan ali če so povezave razrahljane.
E6 - EF	Komunikacijska okvara med FTC in zunanjo enoto	Preverite, ali je zunanja enota izklopljena. Preverite, če je povezovalni kabel poškodovan ali če so povezave razrahljane. Glejte priročnik za servisiranje zunanje enote.
E9	Zunanja enota ne sprejema signala iz notranje enote.	Preverite, ali sta obe enoti vklopljeni. Preverite, če je povezovalni kabel poškodovan ali če so povezave razrahljane. Glejte priročnik za servisiranje zunanje enote.
EE	Kombinacijska napaka med FTC in zunanjo enoto	Preverite kombinacijo FTC in zunanje enote.
U*, F*	Okvara zunanje enote	Glejte priročnik za servisiranje zunanje enote.
A*	Komunikacijska napaka M-NET	Glejte priročnik za servisiranje zunanje enote.

Opomba: Za preklic kod napak izklopite sistem (pritisnite tipko F4 (RESET) na glavnem daljinskem krmilniku).

7 Servis in vzdrževanje

■ Letno vzdrževanje

Bistveno je, da enoto bojlerja servisira usposobljena oseba vsaj enkrat letno. Vse potrebne dele kupite pri Mitsubishi Electric. NIKOLI ne zaobidite varnostnih naprav in enote ne uporabljajte, če ni popolnoma delujoča. Za več podrobnosti glejte servisni priročnik.

Opomba

- V prvih mesecih po namestitvi odstranite in očistite filter enote bojlerja in vse dodatne filtre, ki so nameščeni zunaj enote bojlerja. To je še posebej pomembno pri namestitvi na stari/obstoječi sistem cevovodov.
- Ventil PRV in ventil T&P (št. 8, 20 in 21 na sliki 3.1) je treba vsako leto preveriti tako, da gumb ročno obračate in izpraznite vsebino, nato očistite tesnilo.

Poleg letnega servisiranja je treba nekatere dele zamenjati ali pregledati po določenem času delovanja sistema. Za podrobna navodila glejte spodnje tabele. Zamenjavo in pregled delov mora vedno opraviti pristojna oseba, ki je opravila ustrezno usposabljanje in ima ustrezne kvalifikacije.

Deli, ki zahtevajo redno zamenjavo

Deli	Zamenjajte vsakih	Možne okvare
Razbremenilni ventil (PRV) Manometer Vhodna kontrolna skupina (ICG)*	6 let	Puščanje vode

* OPCIJSKI DELI za Združeno kraljestvo

Deli, ki zahtevajo redne preglede

Deli	Preverite na	Možne okvare
Razbremenilni ventil (3 bar) Temperaturni in razbremenilni ventil	1 leto (z ročnim obračanjem gumba)	Razbremenilni ventil bi se zatesnil in ekspanzijska posoda bi počila
Potopni grelec	2 leti	Ozemljitveni uhajavi tok povzroči vklop odklopnika (grelec je vedno IZKLOPLJEN)
Obtočna vodna črpalka (Primarni krogotok)	20.000 ur (3 leta)	Okvara obtočne vodne črpalke

Deli, ki se NE smejo ponovno uporabiti pri servisiranju

- * Tesnilni obroček
- * Tesnilka

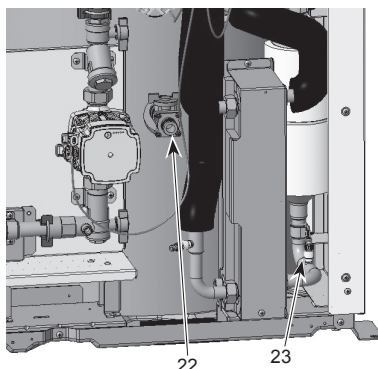
Opomba:

- Tesnilko za črpalko zamenjajte z novim tesnilom pri vsakem rednem vzdrževanju (vsakih 20.000 ur delovanja ali vsake 3 leta).

<Izpraznitev enote bojlerja in njenega krogotoka sanitarne vode (obstoječi)>

OPOZORILO: DRENIRANA VODA JE LAHKO ZELO VROČA

1. Preden poskušate enoto bojlerja izprazniti, jo izolirajte od električnega napajanja, da preprečite izgorevanje potopnega in pomožnega električnega grelca.
2. Izolirajte dovod hladne vode v rezervoar STV.
3. Odprite pipo za toplo vodo, da omogočite praznjenje, ne da bi ob tem ustvarili vakuum.
4. Pritrdite cev na drenažni ventil rezervoarja STV (št. 22 in 23 na sliki 7.1). Cev mora prenesti visoke temperature, saj je lahko odtekajoča voda zelo vroča. Cev, po kateri odteka voda, mora biti speljana na mesto, ki je nižje od dna rezervoarja STV, da se spodbudi izsesavanje. Najprej odprite drenažni ventil.
5. Ko je rezervoar STV izpraznjen, zaprite drenažni ventil in pipo za toplo vodo.
6. Pri primarnem krogu pritrdite cev na drenažni ventil za vodni krog (št. 6 na sliki 3.1). Cev mora prenesti visoke temperature, saj je lahko odtekajoča voda zelo vroča. Cev, po kateri odteka voda, mora biti speljana na mesto, ki je nižje od drenažnega ventila, da se spodbudi izsesavanje. Odprite ventile črpalke in filtrirni ventil.
7. Voda ostane v filtru tudi po izpraznitvi enote bojlerja.
Filter izpraznite tako, da odstranite pokrov.



<Slika 7.1>

7 Servis in vzdrževanje

■ Obrazci za inženirje

Če nastavitve spremenite od privzetih, vnesite in zapišite novo nastavitve v stolpec »Nastavitve polja«. To bo v prihodnje olajšalo ponastavitve, v kolikor bi bilo treba spremeniti sistem ali zamenjati tiskano ploščo.

Zapisnik o nastavitvah zagona/polja

Zaslon glavnega daljinskega krmilnika		Parametri	Privzeta nastavitve	Nastavitve polja	Opombe	
Glavni	Gretje - temp prostora cona 1		10°C - 30°C	20°C		
	Gretje - temp prostora cona 2 *12		10°C - 30°C	20°C		
	Gretje - temp vode cona 1		20°C - 60°C	45°C		
	Gretje - temp vode cona 2 *1		20°C - 60°C	35°C		
	Hlajenje - temp vode cona 1 *13		5-25°C	15°C		
	Hlajenje - temp vode cona 2 *13		5-25°C	20°C		
	Kompenzacijska krivulja gretja cona 1		-9°C - +9°C	0°C		
	Kompenzacijska krivulja gretja cona 2 *1		-9°C - +9°C	0°C		
Možnost	Način praznikov		Aktivno/neaktivno/nastavitve časa	—		
	Prisilno delovanje STV		Vklop/izklop	—		
	STV		Vklop/izklop/časovnik	Vklop		
	Gretje/hlajenje *13		Vklop/izklop/časovnik	Vklop		
Nastavitve	STV	Pregled porabe		Porabljena el. energija/oddana energija	—	
		Način delovanja		Normal/Eco *15	Normal	
		STV najvišja temperatura		40°C - 60°C *2	50°C	
		STV padec temp		5°C - 30°C	10°C	
		STV - Najdaljši cikel		30-120 min	60 min	
		STV omejitev načina dela		30-120 min	30 min	
		STV polnjenje		Veliko/standard	Standard	
		Način delovanja		Normal/Eco *15	Normal	
	Preprečevanje Legionelle	Aktivno		Da/Ne	Da	
		Temperatura vode		60°C - 70°C *2	65°C	
		Pogostnost		1-30 dni	15 dni	
		Začetni čas		00:00-23:00	03:00	
		Najdaljše trajanje		1-5 ur	3 ure	
		Trajanje najvišje temp.		1-120 min	30 min	
	Gretje/hlajenje *13	Način delovanja cona 1		Gretje - temp prostora/ Gretje - temp vode/ Kompenzacijska krivulja gretja/Hlajenje - temp vode	Temp. prostora	
		Način delovanja, cona 2 *1		Gretje - temp prostora/ Gretje - temp vode/ Kompenzacijska krivulja gretja/Hlajenje - temp vode	Kompenzacijska krivulja	
	Kompenzacijska krivulja	Visoka točka nastavitve temp vode	Temp. zunanjega okolja cona 1		-30°C - +33°C *3	-15°C
Temp vode cona 1			20°C - 60°C	50°C		
Temp. zunanjega okolja cona 2 *1			-30°C - +33°C *3	-15°C		
Temp vode cona 2 *1			20°C - 60°C	40°C		
Nizka točka nastavitve temp vode		Temp. zunanjega okolja cona 1		-28°C - +35°C *4	35°C	
		Temp vode cona 1		20°C - 60°C	25°C	
		Temp. zunanjega okolja cona 2 *1		-28°C - +35°C *4	35°C	
		Temp vode cona 2 *1		20°C - 60°C	25°C	
Prilagoditev		Temp. zunanjega okolja cona 1		-29°C - +34°C *5	—	
		Temp vode cona 1		20°C - 60°C	—	
	Temp. zunanjega okolja cona 2 *1		-29°C - +34°C *5	—		
	Temp vode cona 2 *1		20°C - 60°C	—		
Počitnice	STV		Aktivno/neaktivno	Neaktivno		
	Gretje/hlajenje *13		Aktivno/neaktivno	Aktivno		
	Gretje - temp prostora cona 1		10°C - 30°C	15°C		
	Gretje - temp prostora cona 2 *12		10°C - 30°C	15°C		
	Gretje - temp vode cona 1		20°C - 60°C	35°C		
	Gretje - temp vode cona 2 *1		20°C - 60°C	25°C		
	Hlajenje - temp vode cona 1 *13		5°C - 25°C	25°C		
	Hlajenje - temp vode cona 2 *13		5°C - 25°C	25°C		
Začetne nastavitve	Jezik		EN/FR/DE/SV/ES/IT/DA/NL/FI/NO/PT/BG/PL/CZ/RU/TR/SL	EN		
	°C/°F		°C/°F	°C		
	Poletni čas		Vklop/izklop	Izklop		
	Prikaz temp.		Prostor/rezervoar STV/soba+STV/izklop	Izklop		
	Prikaz časa		hh.mm/hh.mm AM/AM hh.mm	hh.mm		
	Nastavitve tipala prostora za cono 1		TH1/Gl.krm./prostor RC1-8/»Čas/cona«	TH1		
	Nastavitve tipala prostora za cono 2 *1		TH1/Gl.krm./prostor RC1-8/»Čas/cona«	TH1		
	Sobni krm. izbira cone *1		Cona 1/cona 2	Cona 1		
	Servisni meni	Popravki termistorja	THW1	-10°C - +10°C	0°C	
			THW2	-10°C - +10°C	0°C	
THW5A			-10°C - +10°C	0°C		
THW5B			-10°C - +10°C	0°C		
THW6			-10°C - +10°C	0°C		
THW7			-10°C - +10°C	0°C		
THW8			-10°C - +10°C	0°C		
THW9			-10°C - +10°C	0°C		
THW10			-10°C - +10°C	0°C		
THWB1			-10°C - +10°C	0°C		
Dodatne nastavitve		Varčno delovanje črpalke.		Vklop/izklop *6 Zamik (3-60 min)	Vklop 10 min	
		Električni grelnik (Gretja)		Gretje prostora: Vklop (v uporabi)/izklop (ni v uporabi) Časovnik zakasnitve električnega grelca (5-180 min)	Vklop 30 min	
		Električni grelnik (STV)		Pomožni električni grelec Potopni grelec	STV: Vklop (v uporabi)/ izklop (ni v uporabi) STV: Vklop (v uporabi)/ izklop (ni v uporabi)	Vklop Vklop
				Časovnik zakasnitve električnega grelca (15-30 min)	15 min	
		Nadzor mešalnega ventila		Delovanje (10-240 sek) Interval (1-30 min)	120 sek 2 min	
		Tipalo pretoka *17		Najmanj (0-100 L/min) Največ (0-100 L/min)	5 L/min 100 L/min	
		Analogni izhod		Interval (1-30 min) Prednost (normalna/visoka)	5 min Normal	

(Nadaljevanje na naslednji strani.)

7 Servis in vzdrževanje

■ Obrazci za inženirje

Zapisnik o nastavitvah zagona/polja (nadaljevanje s prejšnje strani)

Zaslon glavnega daljinskega krmilnika			Parametri	Privzeta nastavitve	Nastavitve polja	Opombe	
Nastavitve	Servisni meni	Hitrost črpalke	STV	Hitrost črpalke (1–5)	5		
			Gretje/hlajenje	Hitrost črpalke (1–5)	5		
		Izbira vira toplote	Standard/grelec/kotel/hibrid *7		Standard		
			Nastavitve toplotne črpalke	Območje pretoka črpalke	Najmanj (0–100 L/min)	5 L/min	
				Tihi način	Največ (0–100 L/min)	100 L/min	
					Dan (pon–ned)	—	
		Nastavitve delovanja	Način gretja *8	Območje temp. vode *10	Čas	0.00–23.45	
					Tihi nivo (normal/nivo 1/nivo 2)	Normal	
					Najnižja temp. (20–45°C)	30°C	
				Nadzor temp. prostora *14	Najvišja temp. (35–60°C)	50°C	
					Način (normal/hitro)	Normal	
					Interval (10–60 min)	10 min	
			Nast. temp. razlike TČ	Vklop/izklop *6	Vklop		
				Spodnja meja (–9 - –1°C)	–5°C		
				Zgornja meja (+3 - +5°C)	5°C		
			Protizmrazovalna zaščita *11	Temp. zunanjega okolja (3–20°C) / **	5°C		
			Sočasno delovanje (STV/gretje)	Vklop/izklop *6	Izklop		
				Temp. zunanjega okolja (–30 - +10°C) *3	–15°C		
		Funkcija za hladno vreme	Vklop/izklop *6	Izklop			
			Temp. zunanjega okolja (–30 - –10°C) *3	–15°C			
		Delovanje kotla	Nastavitve hibrida	Temp. zunanjega okolja (–30 - +10°C) *3	–15°C		
				Prednostni način (Temp. okolja/stroški/CO ₂) *16	Temp. okolja		
				Dvig temp. zunanjega okolja (+1 - +5°C)	+3°C		
			Inteligentne nastavitve	Cena energije *9	Električna energija (0,001–999 */kWh)	0,5 */kWh	
					Kotel (0,001–999 */kWh)	0,5 */kWh	
				Emisije CO ₂	Električna energija (0,001–999 kg -CO ₂ /kWh)	0,5 kg -CO ₂ /kWh	
					Kotel (0,001–999 kg -CO ₂ /kWh)	0,5 kg -CO ₂ /kWh	
				Vir toplote	Moč TČ (1–40 kW)	11,2 kW	
					Izkoristek kotla (25–150 %)	80 %	
			Moč pomožnega električnega grelca 1 (0–30 kW)		2 kW		
			Moč pomožnega električnega grelca 2 (0–30 kW)	4 kW			
			Pametno omrežje	STV	Vklop/izklop	Izklop	
		Ciljna temp. (+1 - +20°C) / -- (Neaktivno)			--		
		Gretje		Vklop/izklop	Izklop		
				Ciljna temp.	Priporočilo za vklop (20–60°C) 50°C Priporočilo za vklop (20–60°C) 55°C		
		Hlad		Vklop/izklop	Izklop		
				Ciljna temp.	Priporočilo za vklop (5–25°C) 15°C Priporočilo za vklop (5–25°C) 10°C		
		Cikli črpalke		Gretje (Vklop/izklop)	Vklop		
				Hlad (Vklop/izklop)	Vklop		
			Interval (10–120 min)	10 min			
Funkcija sušenja tlaka	Vklop/izklop *6	Ciljna temp.	Začetek in konec (20–60°C) 30°C Najv. temp. (20–60°C) 45°C Obdobje najv. temp. (1–20 dni) 5 dni				
		Temp. vode (dvig)	Korak dviga temp. (+1 - +10°C)	+5°C			
			Intervala dviga (1–7 dni)	2 dni			
		Temp. vode (znižanje)	Korak dviga temp. (–1 - –10°C)	–5°C			
	Interval znižanja (1–7 dni)		2 dni				
	Poletni način	Vklop/izklop	Temp. zunanjega okolja	Gretje VKLOP (4–19°C) 10°C Gretje IZKLUP (5–20°C) 15°C			
			Ocena časa	Gretje VKLUP (1–48 ur)	6 ur		
		Gretje IZKLUP (1–48 ur)		6 ur			
Prisiljeno gretje VKLUP (–30–10°C)		5°C					
Nadzor pretoka vode		Vklop/izklop	Izklop				

7 Servis in vzdrževanje

■ Obrazci za inženirje

Zapisnik o nastavitvah zagona/polja (nadaljevanje s prejšnje strani)

Zaslon glavnega daljinskega krmilnika				Parametri	Privzeta nastavitvev	Nastavitvev polja	Opombe	
Servisni meni	Nastavitve pregleda porabe	Moč elekt. grelca	Moč pomožnega električnega grelca 1	0–30 kW	2 kW			
			Moč pomožnega električnega grelca 2	0–30 kW	4 kW			
			Moč potopnega grelca	0–30 kW	0 kW			
			Analogni izhod	0–30 kW	0 kW			
			Popravek oddane energije		–50–+50 %	0 %		
		Poraba obtočne črpalke	Črpalka 1	0–200 W ali *** (tovarniško vgrajena črpalka)	***			
			Črpalka 2	0–200 W	0 W			
			Črpalka 3	0–200 W	0 W			
			Črpalka 4	0–200 W	72 W			
			Merilec električne energije		0,1/1/10/100/1000 impulzev/kWh	1 impulz/kWh		
			Merilnik toplote		0,1/1/10/100/1000 impulzev/kWh	1 impulz/kWh		
		Nast. zunanjih vhodov	Nadzor odjema (IN4)		Vir toplote IZKLOPLJEN/delovanje kotla	Delovanje kotla		
			Zunanji termostat (IN5)		Vir toplote/delovanje kotla	Delovanje kotla		
			Izhod termo VKLOP		Cona 1/cona 2/coni 1 in 2	Cona 1 in 2		

*1 Nastavitve, povezane s cono 2, lahko vklopite le, če je omogočeno uravnavanje temperature v 2 conah (ko sta stikali DIP SW2-6 in SW 2-7 vklopljeni).

*2 Pri modelu brez pospeševalnika in potopnega grelca črpalka morda ne bo dosegla nastavljenih temperature glede na zunanjo temperaturo okolice.

*3 Spodnja meja je –15°C, odvisno od priključene zunanje enote.

*4 Spodnja meja je –13°C, odvisno od priključene zunanje enote.

*5 Spodnja meja je –14°C, odvisno od priključene zunanje enote.

*6 Vkllop: funkcija je aktivna; Izkllop: funkcija ni aktivna.

*7 Če je stikalo DIP SW1-1 nastavljeno na IZKLOP »BREZ kotla« ali če je SW2-6 je nastavljeno na IZKLOP »BREZ mešalne posode«, ne morete izbrati ne kotla ne hibrida.

*8 Velja samo, če deluje v načinu nadzor temp. prostora.

9 »« od »*/ kWh« predstavlja denarno enoto (npr. € ali £ ali podobno)

*10 Velja samo, ko deluje Gretje - temp. prostora.

*11 Če ste izbrali zvezdico (**), je protizmrzovalna zaščita izključena. (t.j. tveganje zamrznitve vode v primarnem krogotoku)

*12 Nastavitve, povezane s cono 2, lahko vklopite le, če je omogočeno 2-consko uravnavanje temperature ali je vklopljena 2-conski ventil za nadzor VKLOPA/IZKLOPA.

*13 Nastavitve načina hlajenja so na voljo samo za model ER.

*14 Ko je stikalo DIP SW5-2 nastavljeno na IZKLOP, je funkcija aktivna.

*15 Ko je enota bojlerja priključena na zunanjo enoto PUMY-P, je način nastavljen na »Normal«.

*16 Ko je enota bojlerja priključena na zunanjo enoto PUMY-P, je način nastavljen na »Temp.okolja«.

*17 Nastavitve ne spreminjajte, ker je nastavljena glede na specifikacijo tipala pretoka, ki je pritrjen na enoto bojlerja.

1. Notificări privind siguranța.....	2
2. Introducere.....	3
3. Informații tehnice.....	4
4. Instalare.....	10
4.1 Locație	10
4.2 Calitatea apei și pregătirea sistemului.....	11
4.3 Conducte de apă.....	11
4.4 Conexiune electrică	14
5. Configurare sistem.....	16
5.1 Funcții comutator DIP.....	16
5.2 Intrări/ieșiri de conectare	17
5.3 Cablare pentru controlul temperaturii pe 2 zone	18
5.4 Funcționarea exclusivă a unității de interior (în timpul lucrărilor de instalare)	19
5.5 Grilă inteligentă pregătită.....	19
5.6 Utilizarea cardului de memorie SD.....	19
5.7 Telecomandă principală	20
6. Punere în funcțiune	26
7. Service și întreținere	27

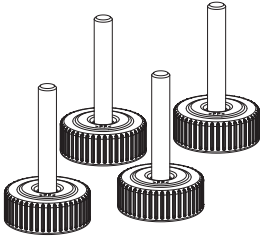
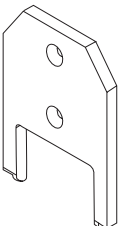
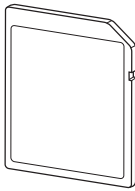



<http://www.mitsubishielectric.com/ldg/ibim/>

Dacă doriți mai multe informații care nu sunt menționate în acest manual, accesați website-ul de mai sus pentru a descărca manuale. Selectați denumirea modelului, apoi alegeți limba.

Cuprinsul manualului de pe website

- Monitor energie
- Componente (detalii)
- Diagramă circuit de apă (170 L)
- Termostat cameră
- Umplere sistem
- Sistem simplu pe 2 zone
- Sursă de alimentare electrică independentă
- Grilă inteligentă pregătită
- Opțiuni telecomandă
- Meniu service (setare specială)
- Informații suplimentare

Accesorii (incluse)			
Picior reglabil	Instrument pentru încălzitor cu imersie	Card de memorie SD	Căptușeală de cupru pentru conducta ACM
	Doar modelul EHPT20X-MHEDW 		
4	1	1	2

Abrevieri și glosar

Nr.	Abrevieri/Cuvânt	Descriere
1	Mod curbă de compensare	Încălzirea spațiului care include compensarea temperaturii ambientale exterioare
2	COP	Coeficientul de performanță (Coefficient of Performance) al eficienței pompei de căldură
3	Unitate cilindru	Rezervor de ACM neventilat și instalațiile sanitare componente
4	Mod ACM	Mod de încălzire a apei calde menajere pentru dușuri, chiuvete etc.
5	Temperatură debit	Temperatura la care apa este livrată în circuitul primar
6	Funcție anti-îngheț	Rutină de control a încălzirii pentru a preveni înghețarea conductelor de apă
7	FTC	Regulator de temperatură al debitului (Flow temperature controller), placa de circuit responsabilă de controlul sistemului
8	Mod încălzire	Încălzire prin radiatoare sau încălzire prin pardoseală
9	Legionella	Bacterii potențial găsite în instalații sanitare, dușuri și rezervoare de apă care pot provoca boala legionarilor
10	Mod PL	Mod prevenire legionella - o funcție a sistemelor cu rezervoare de apă pentru a preveni dezvoltarea bacteriilor legionella
11	Model capsulat	Placă schimbător de căldură (agent frigorific - apă) în unitatea de pompare de căldură exterioară
12	PRV	Valvă eliberare presiune (Pressure relief valve)
13	Temperatură retur	Temperatura la care apa este livrată din circuitul primar
14	Model split	Placă schimbător de căldură (agent frigorific - apă) în unitatea interioară
15	TRV	Valvă radiator termostatic (Thermostatic radiator valve) - o supapă la intrarea sau ieșirea panoului radiatorului pentru a controla puterea termică
16	Mod răcire	Răcirea spațiului prin ventilatoare sau răcire în pardoseală

1 Notificări privind siguranța

Citiți cu atenție următoarele precauții privind siguranța.





⚠️ AVERTISMENT:
Precauții care trebuie luate în considerare pentru prevenirea vătămărilor sau a decesului.

⚠️ ATENȚIE:
Precauții care trebuie luate în considerare pentru prevenirea deteriorării unității.

Acest manual de instalare, împreună cu manualul de utilizare, trebuie păstrate la un loc cu produsul după instalare, pentru consultare ulterioară. Compania Mitsubishi Electric nu este responsabilă pentru defecțiunile pieselor furnizate local.

- Realizați întotdeauna întrețineri periodice.
- Urmați întotdeauna reglementările locale.
- Urmați instrucțiunile furnizate în acest manual.

DEFINIȚIA SIMBOLURILOR AFIȘATE PE UNITATE

	AVERTISMENT (Risc de incendiu)	Acest marcaj este destinat doar pentru agentul frigorific R32. Tipul de agent frigorific este scris pe plăcuța cu numele unității de exterior. În cazul în care tipul de agent frigorific este R32, această unitate folosește un agent frigorific inflamabil. În cazul în care există scurgeri de agent frigorific și acesta intră în contact cu foc sau cu piese fierbinți, agentul poate crea un gaz dăunător și există riscul de incendiu.
	Citiți cu atenție MANUALUL DE UTILIZARE înainte de utilizare.	
	Personalul de service trebuie să citească cu atenție MANUALUL DE UTILIZARE și MANUALUL DE INSTALARE înainte de utilizare.	
	Mai multe informații sunt disponibile în MANUALUL DE UTILIZARE, MANUALUL DE INSTALARE și altele asemănătoare.	

⚠️ ⚠️ AVERTISMENT

Mecanic

Unitatea cilindru și unitatea de exterior nu trebuie instalate, dezasamblate, mutate, modificate sau reparate de către utilizator. Solicitați serviciile unui instalator sau tehnician autorizat. În cazul în care unitatea este instalată în mod necorespunzător sau modificată după instalare, aceasta poate cauza scurgeri de apă, șoc electric sau incendii.

Unitatea de exterior trebuie să fie fixată pe o suprafață plană dură, care poate susține greutatea acesteia.

Unitatea cilindru trebuie să fie așezată pe o suprafață plană dură, care poate susține greutatea plină a acesteia, pentru prevenirea sunetelor sau a vibrațiilor în exces.

Nu așezați mobilă sau aparatură electrică sub unitatea de exterior sau unitatea cilindru.

Conducta de evacuare din dispozitivele de urgență ale unității cilindru trebuie să fie instalate în conformitate cu legile locale.

Folosiți doar accesorii și piese de schimb autorizate de Mitsubishi Electric și solicitați serviciile unui tehnician calificat pentru montarea acestora.

Electric

Toate lucrările electrice trebuie să fie efectuate de către un tehnician calificat, în conformitate cu reglementările locale și cu instrucțiunile prezentate în acest manual.

Unitățile trebuie alimentate de la o sursă de alimentare separată și trebuie folosite întrerupătoare de circuit și tensiuni corecte.

Cablarea trebuie să fie realizată în conformitate cu reglementările naționale privind cablarea. Conexiunile trebuie să fie realizate în mod sigur și fără tensiune pe terminale.

Unitatea trebuie să fie împământată în mod corespunzător.

General

Feriți copiii și animalele de companie de unitatea cilindru și de unitatea de exterior.

Nu folosiți apa fierbinte încălzită prin intermediul unei pompe de căldură direct pentru mâncare sau gătit. Acest lucru poate cauza boli pentru utilizator.

Nu stați pe unități.

Nu atingeți comutatoarele cu mâinile umede.

Asigurați-vă că întreținerea anuală pentru unitatea cilindru și unitatea de exterior este realizată de către o persoană calificată.

Nu așezați recipiente cu lichide pe unitatea cilindru. În cazul în care acestea curg sau se varsă peste unitatea cilindru, aceasta se poate deteriora și/sau ar putea apărea incendiu.

Nu așezați elemente grele pe unitatea cilindru.

La instalarea, mutarea sau întreținerea unității cilindru, utilizați numai agentul frigorific specificat pentru pompa de căldură pentru încărcarea liniilor de răcire. Nu îl amestecați cu nici un alt agent frigorific și nu lăsați aerul să rămână în conducte. Dacă se amestecă aer cu agentul frigorific, acesta poate fi cauza unei presiuni ridicate anormale în conducta de agent frigorific și poate duce la explozie și alte pericole.

Utilizarea oricărui alt agent frigorific, altul decât cel indicat pentru sistem, va cauza defecțiuni mecanice sau disfuncționalități ale sistemului sau defectarea unității. În cel mai rău caz, acest lucru ar putea conduce la un obstacol serios în calea asigurării siguranței produsului.

În modul de încălzire, pentru a evita deteriorarea emițătoarelor de căldură de către apa excesiv de fierbinte, setați temperatura țintă a debitului la minim 2°C sub temperatura maximă admisă a tuturor emițătoarelor de căldură. Pentru Zona2, setați temperatura țintă a debitului la minimum 5°C sub temperatura maximă admisă a turului tuturor emițătoarelor de căldură din circuitul Zonei2.

Nu instalați unitatea în locuri în care este posibil să existe scurgeri, formări, fluxuri sau acumulări de gaze. În cazul acumulării de gaze combustibile în preajma unității, este posibil să aibă loc incendii sau explozii.

Nu folosiți alte moduri de accelerare a procesului de dezghețare sau de curățare în afară de cele recomandate de producător.

Aparatul trebuie depozitat într-o cameră fără surse de aprindere cu funcționare continuă (de exemplu: flăcări deschise, un aparat cu funcționare pe gaz sau un încălzitor electric).

Nu perforați sau ardeți.

Rețineți că este posibil ca agenții frigorifici să nu aibă miros.

Conductele trebuie protejate împotriva deteriorării fizice.

Instalația de conducte trebuie menținută la minim.

Trebuie să respectați reglementările naționale pentru gaz.

Nu blocați fantele necesare pentru aerisire.

Nu folosiți aliaje de sudură la temperatură scăzută în cazul lipirii conductelor de agent frigorific.

1 Notificări privind siguranța

ATENȚIE

Folosiți apă curată, care îndeplinește standardele de calitate pentru circuitul primar.

Unitatea de exterior trebuie instalată într-o zonă cu un flux de aer suficient, în conformitate cu diagramele din manualul de instalare al unității de exterior.

Unitatea cilindru trebuie amplasată în interior pentru minimizarea pierderilor de căldură.

Conducta de apă de pe circuitul primar, localizată între unitatea de exterior și cea de exterior, trebuie să aibă o lungime cât mai scurtă, pentru reducerea pierderilor de căldură.

Condensul format pe unitatea de exterior nu trebuie să ajungă la bază, pentru evitarea acumulării apei.

Eliminați cât mai mult aer posibil din circuitul primar și ACM.

Scurgerile de agent frigorific pot provoca sufocarea. Produsul trebuie să dispună de aerisire, în conformitate cu norma EN378-1.

Asigurați-vă că toate conductele sunt izolate. Contactul direct cu conductele goale poate cauza arsuri sau degerături.

Nu introduceți niciodată baterii în gură, oricare ar fi motivul, pentru a evita înghițirea involuntară.

Înghițirea bateriilor poate cauza înec și/sau otrăvire.

Nu transportați unitatea cilindru cu apă în interiorul rezervorului ACM. Acest lucru poate deteriora unitatea.

Dacă alimentarea cu energie a unității cilindru este oprită (sau sistemul este oprit) pentru o perioadă lungă de timp, apa trebuie să fie drenată.

Dacă nu este folosit pentru o perioadă lungă de timp, înainte de reluarea funcționării, rezervorul ACM trebuie clătit bine cu apă potabilă.

Trebuie să luați măsuri de prevenție împotriva șocurilor hidraulice, precum instalarea unui dispozitiv de atenuare a șocurilor hidraulice pe circuitul de apă primar, conform instrucțiunilor producătorului.

Pentru manipularea agentului frigorific, consultați manualul de instalare al unității de exterior.

2 Introducere

Scopul acestui manual de instalare este instruirea persoanelor competente cu privire la modul de instalare și punere în funcțiune în siguranță și în mod eficient a sistemului cu unitate cilindru. Publicul țintă al acestui manual sunt instalatorii și/sau inginerii competenți în manipularea agenților frigorifici

care au participat și au trecut instruirea necesară pentru produsele Mitsubishi Electric și care au calificări corespunzătoare pentru instalarea unei unități cilindru cu apă caldă fără ventilare, specifice pentru țara lor.

3 Informații tehnice

Specificații produs

Denumire model	EHST17D-VM2D	ERST17D-VM2D	EHST20D-MED	EHST20D-VM2D	EHST20D-VM6D	EHST20D-VM9D	EHST20D-VM9D	EHST20D-VM9D	EHST20D-VM9D	ERST20D-VM2D	EHST30D-MED	EHST30D-VM6D	EHST30D-VM9D	EHST30D-TM9ED	ERST30D-VM2ED	
<p>170 L</p> <p>1400 x 595 x 680 mm</p> <p>93 kg</p> <p>269 kg</p> <p>3-4 L</p> <p>12 L</p> <p>0,1 MPa</p>	<p>170 L</p> <p>1400 x 595 x 680 mm</p> <p>93 kg</p> <p>269 kg</p> <p>3-4 L</p> <p>12 L</p> <p>0,1 MPa</p>	<p>200 L</p> <p>1600 x 595 x 680 mm</p> <p>106 kg</p> <p>314 kg</p> <p>5,8 L</p> <p>12 L</p> <p>0,1 MPa</p>	<p>200 L</p> <p>1600 x 595 x 680 mm</p> <p>106 kg</p> <p>314 kg</p> <p>5,8 L</p> <p>12 L</p> <p>0,1 MPa</p>	<p>200 L</p> <p>1600 x 595 x 680 mm</p> <p>106 kg</p> <p>314 kg</p> <p>5,8 L</p> <p>12 L</p> <p>0,1 MPa</p>	<p>200 L</p> <p>1600 x 595 x 680 mm</p> <p>106 kg</p> <p>314 kg</p> <p>5,8 L</p> <p>12 L</p> <p>0,1 MPa</p>	<p>200 L</p> <p>1600 x 595 x 680 mm</p> <p>106 kg</p> <p>314 kg</p> <p>5,8 L</p> <p>12 L</p> <p>0,1 MPa</p>	<p>200 L</p> <p>1600 x 595 x 680 mm</p> <p>106 kg</p> <p>314 kg</p> <p>5,8 L</p> <p>12 L</p> <p>0,1 MPa</p>	<p>200 L</p> <p>1600 x 595 x 680 mm</p> <p>106 kg</p> <p>314 kg</p> <p>5,8 L</p> <p>12 L</p> <p>0,1 MPa</p>	<p>200 L</p> <p>1600 x 595 x 680 mm</p> <p>106 kg</p> <p>314 kg</p> <p>5,8 L</p> <p>12 L</p> <p>0,1 MPa</p>	<p>200 L</p> <p>1600 x 595 x 680 mm</p> <p>106 kg</p> <p>314 kg</p> <p>5,8 L</p> <p>12 L</p> <p>0,1 MPa</p>	<p>300 L</p> <p>2050 x 595 x 680 mm</p> <p>115 kg</p> <p>422 kg</p> <p>3,9 L</p> <p>6,2 L</p> <p>—</p>	<p>300 L</p> <p>2050 x 595 x 680 mm</p> <p>115 kg</p> <p>422 kg</p> <p>3,9 L</p> <p>6,2 L</p> <p>—</p>	<p>300 L</p> <p>2050 x 595 x 680 mm</p> <p>115 kg</p> <p>422 kg</p> <p>3,9 L</p> <p>6,2 L</p> <p>—</p>	<p>300 L</p> <p>2050 x 595 x 680 mm</p> <p>115 kg</p> <p>422 kg</p> <p>3,9 L</p> <p>6,2 L</p> <p>—</p>	<p>300 L</p> <p>2050 x 595 x 680 mm</p> <p>115 kg</p> <p>422 kg</p> <p>3,9 L</p> <p>6,2 L</p> <p>—</p>	
<p>Termistor de control</p> <p>Valvă eliberare presiune (Pressure relief valve)</p> <p>Senzor de debit</p>	<p>Termistor de control</p> <p>Valvă eliberare presiune (Pressure relief valve)</p> <p>Senzor de debit</p>	<p>Termistor de control</p> <p>Valvă eliberare presiune (Pressure relief valve)</p> <p>Senzor de debit</p>	<p>Termistor de control</p> <p>Valvă eliberare presiune (Pressure relief valve)</p> <p>Senzor de debit</p>	<p>Termistor de control</p> <p>Valvă eliberare presiune (Pressure relief valve)</p> <p>Senzor de debit</p>	<p>Termistor de control</p> <p>Valvă eliberare presiune (Pressure relief valve)</p> <p>Senzor de debit</p>	<p>Termistor de control</p> <p>Valvă eliberare presiune (Pressure relief valve)</p> <p>Senzor de debit</p>	<p>Termistor de control</p> <p>Valvă eliberare presiune (Pressure relief valve)</p> <p>Senzor de debit</p>	<p>Termistor de control</p> <p>Valvă eliberare presiune (Pressure relief valve)</p> <p>Senzor de debit</p>	<p>Termistor de control</p> <p>Valvă eliberare presiune (Pressure relief valve)</p> <p>Senzor de debit</p>	<p>Termistor de control</p> <p>Valvă eliberare presiune (Pressure relief valve)</p> <p>Senzor de debit</p>	<p>Termistor de control</p> <p>Valvă eliberare presiune (Pressure relief valve)</p> <p>Senzor de debit</p>	<p>Termistor de control</p> <p>Valvă eliberare presiune (Pressure relief valve)</p> <p>Senzor de debit</p>	<p>Termistor de control</p> <p>Valvă eliberare presiune (Pressure relief valve)</p> <p>Senzor de debit</p>	<p>Termistor de control</p> <p>Valvă eliberare presiune (Pressure relief valve)</p> <p>Senzor de debit</p>	<p>Termistor de control</p> <p>Valvă eliberare presiune (Pressure relief valve)</p> <p>Senzor de debit</p>	
<p>90°C</p> <p>121°C</p>	<p>90°C</p> <p>121°C</p>	<p>90°C</p> <p>121°C</p>	<p>90°C</p> <p>121°C</p>	<p>90°C</p> <p>121°C</p>	<p>90°C</p> <p>121°C</p>	<p>90°C</p> <p>121°C</p>	<p>90°C</p> <p>121°C</p>	<p>90°C</p> <p>121°C</p>	<p>90°C</p> <p>121°C</p>	<p>90°C</p> <p>121°C</p>	<p>90°C</p> <p>121°C</p>	<p>90°C</p> <p>121°C</p>	<p>90°C</p> <p>121°C</p>	<p>90°C</p> <p>121°C</p>	<p>90°C</p> <p>121°C</p>	
<p>1,0 MPa (10 bar)</p>	<p>1,0 MPa (10 bar)</p>	<p>1,0 MPa (10 bar)</p>	<p>1,0 MPa (10 bar)</p>	<p>1,0 MPa (10 bar)</p>	<p>1,0 MPa (10 bar)</p>	<p>1,0 MPa (10 bar)</p>	<p>1,0 MPa (10 bar)</p>	<p>1,0 MPa (10 bar)</p>	<p>1,0 MPa (10 bar)</p>	<p>1,0 MPa (10 bar)</p>	<p>1,0 MPa (10 bar)</p>	<p>1,0 MPa (10 bar)</p>	<p>1,0 MPa (10 bar)</p>	<p>1,0 MPa (10 bar)</p>	<p>1,0 MPa (10 bar)</p>	
<p>Apă</p> <p>Agent frigorific (R32/R410A)</p> <p>Gaz</p>	<p>Apă</p> <p>Agent frigorific (R32/R410A)</p> <p>Gaz</p>	<p>Apă</p> <p>Agent frigorific (R32/R410A)</p> <p>Gaz</p>	<p>Apă</p> <p>Agent frigorific (R32/R410A)</p> <p>Gaz</p>	<p>Apă</p> <p>Agent frigorific (R32/R410A)</p> <p>Gaz</p>	<p>Apă</p> <p>Agent frigorific (R32/R410A)</p> <p>Gaz</p>	<p>Apă</p> <p>Agent frigorific (R32/R410A)</p> <p>Gaz</p>	<p>Apă</p> <p>Agent frigorific (R32/R410A)</p> <p>Gaz</p>	<p>Apă</p> <p>Agent frigorific (R32/R410A)</p> <p>Gaz</p>	<p>Apă</p> <p>Agent frigorific (R32/R410A)</p> <p>Gaz</p>	<p>Apă</p> <p>Agent frigorific (R32/R410A)</p> <p>Gaz</p>	<p>Apă</p> <p>Agent frigorific (R32/R410A)</p> <p>Gaz</p>	<p>Apă</p> <p>Agent frigorific (R32/R410A)</p> <p>Gaz</p>	<p>Apă</p> <p>Agent frigorific (R32/R410A)</p> <p>Gaz</p>	<p>Apă</p> <p>Agent frigorific (R32/R410A)</p> <p>Gaz</p>	<p>Apă</p> <p>Agent frigorific (R32/R410A)</p> <p>Gaz</p>	
<p>Temperatură cameră</p> <p>Temperatură debit</p> <p>Temperatură cameră</p> <p>Temperatură debit</p>	<p>Temperatură cameră</p> <p>Temperatură debit</p> <p>Temperatură cameră</p> <p>Temperatură debit</p>	<p>Temperatură cameră</p> <p>Temperatură debit</p> <p>Temperatură cameră</p> <p>Temperatură debit</p>	<p>Temperatură cameră</p> <p>Temperatură debit</p> <p>Temperatură cameră</p> <p>Temperatură debit</p>	<p>Temperatură cameră</p> <p>Temperatură debit</p> <p>Temperatură cameră</p> <p>Temperatură debit</p>	<p>Temperatură cameră</p> <p>Temperatură debit</p> <p>Temperatură cameră</p> <p>Temperatură debit</p>	<p>Temperatură cameră</p> <p>Temperatură debit</p> <p>Temperatură cameră</p> <p>Temperatură debit</p>	<p>Temperatură cameră</p> <p>Temperatură debit</p> <p>Temperatură cameră</p> <p>Temperatură debit</p>	<p>Temperatură cameră</p> <p>Temperatură debit</p> <p>Temperatură cameră</p> <p>Temperatură debit</p>	<p>Temperatură cameră</p> <p>Temperatură debit</p> <p>Temperatură cameră</p> <p>Temperatură debit</p>	<p>Temperatură cameră</p> <p>Temperatură debit</p> <p>Temperatură cameră</p> <p>Temperatură debit</p>	<p>Temperatură cameră</p> <p>Temperatură debit</p> <p>Temperatură cameră</p> <p>Temperatură debit</p>	<p>Temperatură cameră</p> <p>Temperatură debit</p> <p>Temperatură cameră</p> <p>Temperatură debit</p>	<p>Temperatură cameră</p> <p>Temperatură debit</p> <p>Temperatură cameră</p> <p>Temperatură debit</p>	<p>Temperatură cameră</p> <p>Temperatură debit</p> <p>Temperatură cameră</p> <p>Temperatură debit</p>	<p>Temperatură cameră</p> <p>Temperatură debit</p> <p>Temperatură cameră</p> <p>Temperatură debit</p>	<p>Temperatură cameră</p> <p>Temperatură debit</p> <p>Temperatură cameră</p> <p>Temperatură debit</p>
<p>5 - 25°C</p>	<p>5 - 25°C</p>	<p>5 - 25°C</p>	<p>5 - 25°C</p>	<p>5 - 25°C</p>	<p>5 - 25°C</p>	<p>5 - 25°C</p>	<p>5 - 25°C</p>	<p>5 - 25°C</p>	<p>5 - 25°C</p>	<p>5 - 25°C</p>	<p>5 - 25°C</p>	<p>5 - 25°C</p>	<p>5 - 25°C</p>	<p>5 - 25°C</p>	<p>5 - 25°C</p>	
<p>Ambient</p> <p>Temperatură exterioră</p> <p>Răcire</p>	<p>Ambient</p> <p>Temperatură exterioră</p> <p>Răcire</p>	<p>Ambient</p> <p>Temperatură exterioră</p> <p>Răcire</p>	<p>Ambient</p> <p>Temperatură exterioră</p> <p>Răcire</p>	<p>Ambient</p> <p>Temperatură exterioră</p> <p>Răcire</p>	<p>Ambient</p> <p>Temperatură exterioră</p> <p>Răcire</p>	<p>Ambient</p> <p>Temperatură exterioră</p> <p>Răcire</p>	<p>Ambient</p> <p>Temperatură exterioră</p> <p>Răcire</p>	<p>Ambient</p> <p>Temperatură exterioră</p> <p>Răcire</p>	<p>Ambient</p> <p>Temperatură exterioră</p> <p>Răcire</p>	<p>Ambient</p> <p>Temperatură exterioră</p> <p>Răcire</p>	<p>Ambient</p> <p>Temperatură exterioră</p> <p>Răcire</p>	<p>Ambient</p> <p>Temperatură exterioră</p> <p>Răcire</p>	<p>Ambient</p> <p>Temperatură exterioră</p> <p>Răcire</p>	<p>Ambient</p> <p>Temperatură exterioră</p> <p>Răcire</p>	<p>Ambient</p> <p>Temperatură exterioră</p> <p>Răcire</p>	
<p>70°C</p> <p>*3</p>	<p>70°C</p> <p>*3</p>	<p>70°C</p> <p>*3</p>	<p>70°C</p> <p>*3</p>	<p>70°C</p> <p>*3</p>	<p>70°C</p> <p>*3</p>	<p>70°C</p> <p>*3</p>	<p>70°C</p> <p>*3</p>	<p>70°C</p> <p>*3</p>	<p>70°C</p> <p>*3</p>	<p>70°C</p> <p>*3</p>	<p>70°C</p> <p>*3</p>	<p>70°C</p> <p>*3</p>	<p>70°C</p> <p>*3</p>	<p>70°C</p> <p>*3</p>	<p>70°C</p> <p>*3</p>	
<p>Temperatura maximă permisă pentru apa caldă</p> <p>Profil sarcină declarată</p>	<p>Temperatura maximă permisă pentru apa caldă</p> <p>Profil sarcină declarată</p>	<p>Temperatura maximă permisă pentru apa caldă</p> <p>Profil sarcină declarată</p>	<p>Temperatura maximă permisă pentru apa caldă</p> <p>Profil sarcină declarată</p>	<p>Temperatura maximă permisă pentru apa caldă</p> <p>Profil sarcină declarată</p>	<p>Temperatura maximă permisă pentru apa caldă</p> <p>Profil sarcină declarată</p>	<p>Temperatura maximă permisă pentru apa caldă</p> <p>Profil sarcină declarată</p>	<p>Temperatura maximă permisă pentru apa caldă</p> <p>Profil sarcină declarată</p>	<p>Temperatura maximă permisă pentru apa caldă</p> <p>Profil sarcină declarată</p>	<p>Temperatura maximă permisă pentru apa caldă</p> <p>Profil sarcină declarată</p>	<p>Temperatura maximă permisă pentru apa caldă</p> <p>Profil sarcină declarată</p>	<p>Temperatura maximă permisă pentru apa caldă</p> <p>Profil sarcină declarată</p>	<p>Temperatura maximă permisă pentru apa caldă</p> <p>Profil sarcină declarată</p>	<p>Temperatura maximă permisă pentru apa caldă</p> <p>Profil sarcină declarată</p>	<p>Temperatura maximă permisă pentru apa caldă</p> <p>Profil sarcină declarată</p>	<p>Temperatura maximă permisă pentru apa caldă</p> <p>Profil sarcină declarată</p>	
<p>L</p> <p>A+</p>	<p>L</p> <p>A+</p>	<p>L</p> <p>A+</p>	<p>L</p> <p>A+</p>	<p>L</p> <p>A+</p>	<p>L</p> <p>A+</p>	<p>L</p> <p>A+</p>	<p>L</p> <p>A+</p>	<p>L</p> <p>A+</p>	<p>L</p> <p>A+</p>	<p>L</p> <p>A+</p>	<p>L</p> <p>A+</p>	<p>L</p> <p>A+</p>	<p>L</p> <p>A+</p>	<p>L</p> <p>A+</p>	<p>L</p> <p>A+</p>	
<p>0,30 kW</p> <p>1,95 A</p> <p>10 A</p>	<p>0,30 kW</p> <p>1,95 A</p> <p>10 A</p>	<p>0,30 kW</p> <p>1,95 A</p> <p>10 A</p>	<p>0,30 kW</p> <p>1,95 A</p> <p>10 A</p>	<p>0,30 kW</p> <p>1,95 A</p> <p>10 A</p>	<p>0,30 kW</p> <p>1,95 A</p> <p>10 A</p>	<p>0,30 kW</p> <p>1,95 A</p> <p>10 A</p>	<p>0,30 kW</p> <p>1,95 A</p> <p>10 A</p>	<p>0,30 kW</p> <p>1,95 A</p> <p>10 A</p>	<p>0,30 kW</p> <p>1,95 A</p> <p>10 A</p>	<p>0,30 kW</p> <p>1,95 A</p> <p>10 A</p>	<p>0,30 kW</p> <p>1,95 A</p> <p>10 A</p>	<p>0,30 kW</p> <p>1,95 A</p> <p>10 A</p>	<p>0,30 kW</p> <p>1,95 A</p> <p>10 A</p>	<p>0,30 kW</p> <p>1,95 A</p> <p>10 A</p>	<p>0,30 kW</p> <p>1,95 A</p> <p>10 A</p>	
<p>~N, 230 V, 50 Hz</p> <p>3~ 400 V, 50 Hz</p> <p>2 kW</p> <p>9 A</p> <p>16 A</p>	<p>~N, 230 V, 50 Hz</p> <p>3~ 400 V, 50 Hz</p> <p>2 kW</p> <p>9 A</p> <p>16 A</p>	<p>~N, 230 V, 50 Hz</p> <p>3~ 400 V, 50 Hz</p> <p>2 kW</p> <p>9 A</p> <p>16 A</p>	<p>~N, 230 V, 50 Hz</p> <p>3~ 400 V, 50 Hz</p> <p>2 kW</p> <p>9 A</p> <p>16 A</p>	<p>~N, 230 V, 50 Hz</p> <p>3~ 400 V, 50 Hz</p> <p>2 kW</p> <p>9 A</p> <p>16 A</p>	<p>~N, 230 V, 50 Hz</p> <p>3~ 400 V, 50 Hz</p> <p>2 kW</p> <p>9 A</p> <p>16 A</p>	<p>~N, 230 V, 50 Hz</p> <p>3~ 400 V, 50 Hz</p> <p>2 kW</p> <p>9 A</p> <p>16 A</p>	<p>~N, 230 V, 50 Hz</p> <p>3~ 400 V, 50 Hz</p> <p>2 kW</p> <p>9 A</p> <p>16 A</p>	<p>~N, 230 V, 50 Hz</p> <p>3~ 400 V, 50 Hz</p> <p>2 kW</p> <p>9 A</p> <p>16 A</p>	<p>~N, 230 V, 50 Hz</p> <p>3~ 400 V, 50 Hz</p> <p>2 kW</p> <p>9 A</p> <p>16 A</p>	<p>~N, 230 V, 50 Hz</p> <p>3~ 400 V, 50 Hz</p> <p>2 kW</p> <p>9 A</p> <p>16 A</p>	<p>~N, 230 V, 50 Hz</p> <p>3~ 400 V, 50 Hz</p> <p>2 kW</p> <p>9 A</p> <p>16 A</p>	<p>~N, 230 V, 50 Hz</p> <p>3~ 400 V, 50 Hz</p> <p>2 kW</p> <p>9 A</p> <p>16 A</p>	<p>~N, 230 V, 50 Hz</p> <p>3~ 400 V, 50 Hz</p> <p>2 kW</p> <p>9 A</p> <p>16 A</p>	<p>~N, 230 V, 50 Hz</p> <p>3~ 400 V, 50 Hz</p> <p>2 kW</p> <p>9 A</p> <p>16 A</p>	<p>~N, 230 V, 50 Hz</p> <p>3~ 400 V, 50 Hz</p> <p>2 kW</p> <p>9 A</p> <p>16 A</p>	
<p>~N, 230 V, 50 Hz</p> <p>3~ 400 V, 50 Hz</p> <p>2 kW</p> <p>9 A</p> <p>16 A</p>	<p>~N, 230 V, 50 Hz</p> <p>3~ 400 V, 50 Hz</p> <p>2 kW</p> <p>9 A</p> <p>16 A</p>	<p>~N, 230 V, 50 Hz</p> <p>3~ 400 V, 50 Hz</p> <p>2 kW</p> <p>9 A</p> <p>16 A</p>	<p>~N, 230 V, 50 Hz</p> <p>3~ 400 V, 50 Hz</p> <p>2 kW</p> <p>9 A</p> <p>16 A</p>	<p>~N, 230 V, 50 Hz</p> <p>3~ 400 V, 50 Hz</p> <p>2 kW</p> <p>9 A</p> <p>16 A</p>	<p>~N, 230 V, 50 Hz</p> <p>3~ 400 V, 50 Hz</p> <p>2 kW</p> <p>9 A</p> <p>16 A</p>	<p>~N, 230 V, 50 Hz</p> <p>3~ 400 V, 50 Hz</p> <p>2 kW</p> <p>9 A</p> <p>16 A</p>	<p>~N, 230 V, 50 Hz</p> <p>3~ 400 V, 50 Hz</p> <p>2 kW</p> <p>9 A</p> <p>16 A</p>	<p>~N, 230 V, 50 Hz</p> <p>3~ 400 V, 50 Hz</p> <p>2 kW</p> <p>9 A</p> <p>16 A</p>	<p>~N, 230 V, 50 Hz</p> <p>3~ 400 V, 50 Hz</p> <p>2 kW</p> <p>9 A</p> <p>16 A</p>	<p>~N, 230 V, 50 Hz</p> <p>3~ 400 V, 50 Hz</p> <p>2 kW</p> <p>9 A</p> <p>16 A</p>	<p>~N, 230 V, 50 Hz</p> <p>3~ 400 V, 50 Hz</p> <p>2 kW</p> <p>9 A</p> <p>16 A</p>	<p>~N, 230 V, 50 Hz</p> <p>3~ 400 V, 50 Hz</p> <p>2 kW</p> <p>9 A</p> <p>16 A</p>	<p>~N, 230 V, 50 Hz</p> <p>3~ 400 V, 50 Hz</p> <p>2 kW</p> <p>9 A</p> <p>16 A</p>	<p>~N, 230 V, 50 Hz</p> <p>3~ 400 V, 50 Hz</p> <p>2 kW</p> <p>9 A</p> <p>16 A</p>	<p>~N, 230 V, 50 Hz</p> <p>3~ 400 V, 50 Hz</p> <p>2 kW</p> <p>9 A</p> <p>16 A</p>	
<p>41 dB(A)</p>	<p>41 dB(A)</p>	<p>41 dB(A)</p>	<p>41 dB(A)</p>	<p>41 dB(A)</p>	<p>41 dB(A)</p>	<p>41 dB(A)</p>	<p>41 dB(A)</p>	<p>41 dB(A)</p>	<p>41 dB(A)</p>	<p>41 dB(A)</p>	<p>41 dB(A)</p>	<p>41 dB(A)</p>	<p>41 dB(A)</p>	<p>41 dB(A)</p>	<p>41 dB(A)</p>	

< Tabelul 3.1 >

*1 Volumele pentru circuitul de apă sanitară, circuitul ACM primar (de la supapa cu 3 căi până la punctul de confluență cu circuitul de încălzire), conducta către vasul de expansiune și vasul de expansiune nu sunt incluse în această valoare.

*2 Mediul trebuie să fie ferit de îngheț.

*3 Consultați tabelul cu specificațiile pentru unitatea de exterior (min. 10°C). Modul de răcire nu este disponibil în cazul temperaturilor exterioare scăzute. Dacă folosiți sistemul nostru în modul de răcire la temperaturi ambientale scăzute (mai mici sau egale cu 10°C), există riscul deteriorării schimbătorului de căldură al plăcii de apă înghețată.

*4 Pentru modelul fără încălzitor auxiliar și încălzitor cu imersie, temperatura maximă permisă pentru apa caldă este de [Ieșirea maximă a apei din unitatea de exterior -3°C]. Pentru ieșirea maximă a apei din unitatea de exterior, consultați cartea tehnică a unității de exterior.

*5 Nu montați încălzitoare cu imersie fără decuplare termică. Folosiți doar piese de schimb Mitsubishi Electric pentru schimbări directe.

3 Informații tehnice

Specificații produs

Denumire model	EHP20X-MED	EHP20X-VM6D	EHP20X-YM9D	EHP20X-YM9D	EHP20X-YM9D	EHP20X-TM9D	EHP20X-MHEDW	ERPT20X-MD	ERPT20X-VM2D	ERPT20X-VM6D	EHP20X-MED	EHP20X-YM9D	ERPT30X-VM2ED
Volu nominal de apă caldă menajeră	200 L												
Dimensiuni generale ale unității (Înălțime x lățime x adâncime)	1600 x 595 x 680 mm												
Greutate (goală)	93 kg	101 kg	102 kg	96 kg	102 kg	102 kg	90 kg	99 kg	100 kg	101 kg	106 kg	109 kg	107 kg
Greutate (plină)	300 kg	307 kg	310 kg	305 kg	310 kg	310 kg	296 kg	305 kg	305 kg	307 kg	413 kg	419 kg	413 kg
Volu de apă pentru circuitul de încălzire din unitate *1	3,7 L	12 L	12 L	6,0 L	6,0 L	3,7 L	3,7 L	3,7 L	3,7 L	12 L	4,4 L	6,7 L	4,4 L
Vas de expansiune neventilat (încălzire primară)	—	0,1 MPa	—	—	—	—	—	—	—	—	—	—	—
Presiune încărcare	—	0,1 MPa	—	—	—	—	—	—	—	0,1 MPa	—	—	—
Termistor de control	1 - 80°C												
Circuit primar	—												
Valvă eliberare presiune (Pressure relief valve)	—												
Senzor de debit	Debit min. 5,0 L/min (Consultați tabelul 4.3.1 privind intervalul de debit al apei)												
Termostat cu resetare manuală BH	—	90°C	90°C	—	—	—	—	—	—	90°C	—	—	90°C
Decuplare termică BH	—	121°C	121°C	—	—	—	—	—	—	121°C	—	—	121°C
Termistor de control	75°C												
Termostat cu resetare manuală IH	—												
Termostat/Valvă eliberare presiune (Pressure relief valve)	1,0 MPa (10 bari)												
Apă	90°C / 0,7 MPa (7 bari)												
Agent frigorific (R32/R410A)	ø28 mm												
Lichid	ø22 mm												
Gaz	—												
Încălzire	10 - 30°C												
Temperatură debit	20 - 60°C												
Temperatură cameră	—												
Răcire	—												
Temperatură debit	5 - 25°C												
Ambient	0 - 35°C (≤ 80% UR)												
Interval de funcționare garantată *2	Consultați tabelul cu specificațiile unității de exterior.												
Temperatură exterioară	—												
Răcire	*3												
Temperatura maximă permisă pentru apa caldă	*4	70°C	70°C	—	—	—	—	*4	70°C	70°C	*4	—	70°C
Profil sarcină declarată	L												
Clasă de eficiență energetică a încălzitorului de apă	A+												
Sursă de alimentare (fază, tensiune, frecvență)	~N, 230 V, 50 Hz												
Intrare (inclusiv 4 pompe)	0,30 kW												
Curent	1,95 A												
Întreprător	10 A												
Sursă de alimentare (fază, tensiune, frecvență)	—	~N, 230 V, 50 Hz	3~, 400 V, 50 Hz	3~, 230 V, 50 Hz	—	—	—	—	~N, 230 V, 50 Hz	—	—	3~, 400 V, 50 Hz	~N, 230 V, 50 Hz
Capacitate	—	2 kW + 4 kW	3 kW + 6 kW	—	—	—	—	—	2 kW + 4 kW	—	—	3 kW + 6 kW	2 kW
Curent	—	26 A	13 A	16 A	23 A	—	—	—	9 A	26 A	—	13 A	9 A
Întreprător	—	32 A	16 A	32 A	—	—	—	—	16 A	32 A	—	16 A	16 A
Sursă de alimentare (fază, tensiune, frecvență)	~N, 230 V, 50 Hz												
Capacitate	3 kW												
Curent	13 A												
Întreprător	16 A												
Nivel putere sunet (PWL)	40 dB(A)												

< Tabelul 3.3 >

*1 Volumele pentru circuitul de apă sanitară, circuitul ACM primar (de la supapa cu 3 căi până la punctul de confluință cu circuitul de încălzire), conducta către vasul de expansiune și vasul de expansiune nu sunt incluse în această valoare.

*2 Mediul trebuie să fie ferit de îngheț.

*3 Consultați tabelul cu specificațiile pentru unitatea de exterior (min. 10°C). Modul de răcire nu este disponibil în cazul temperaturilor exterioare scăzute. Dacă folosiți sistemul nostru în modul de răcire la temperaturi ambientale scăzute (mai mici sau egale cu 10°C), există riscul deteriorării schimbătorului de căldură al plăcii de apă înghețată.

*4 Pentru modelul fără încălzitor auxiliar și încălzitor cu imersiune, temperatura maximă permisă pentru apa caldă este de [Ieșirea maximă a apei din unitatea de exterior - 3°C]. Pentru ieșirea maximă a apei din unitatea de exterior, consultați cartea tehnică a unității de exterior.

*5 Nu montați încălzitoare cu imersiune fără decuplare termică. Folosiți doar piese de schimb Mitsubishi Electric pentru schimbări directe.

3 Informații tehnice

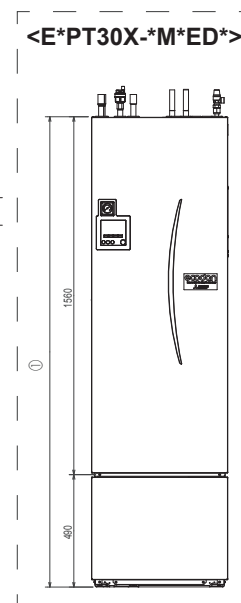
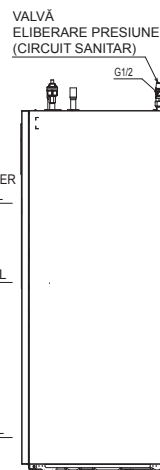
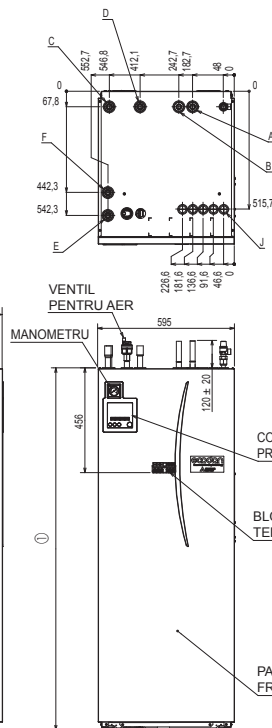
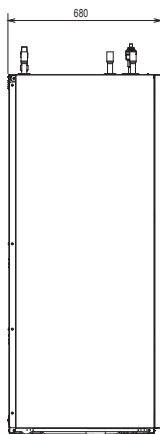
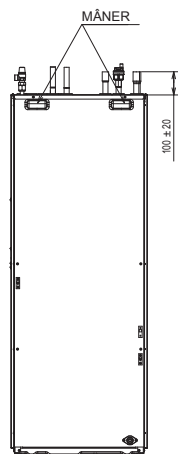
<Unitate: mm>

Desene tehnice

<E**T***-M**D>

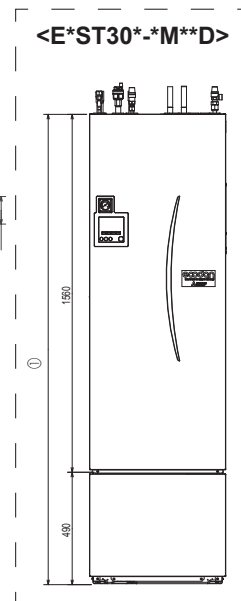
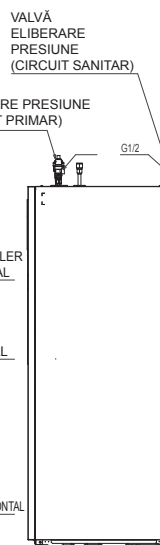
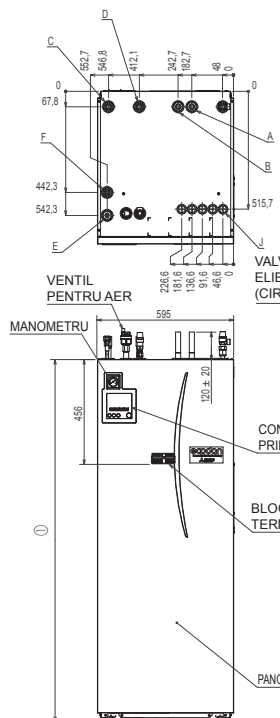
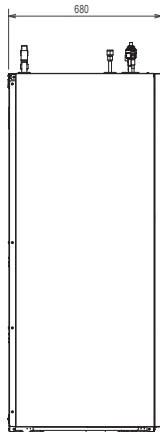
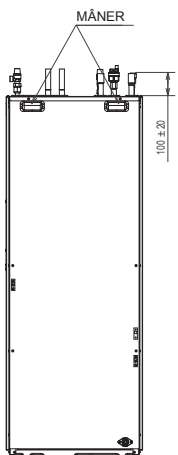
(Sistem model ambalat)

Capacitate rezervor ACM	170L	200L	300L
①	1400	1600	2050



(Sistem model split)

Capacitate rezervor ACM	170L	200L	300L
①	1400	1600	2050



Literă	Descriere conductă	Dimensiune/tip racord
A	Racord ieșire ACM	22 mm/compresie
B	Racord intrare apă rece	22 mm/compresie
C	Racord RETUR încălzire/răcire spațiu	28 mm/compresie
D	Racord DEBIT încălzire/răcire spațiu	28 mm/compresie
E	Racord debit DE LA pompa de căldură (fără schimbător de căldură cu placă)	28 mm/compresie
F	Racord debit CĂTRE pompa de căldură (fără schimbător de căldură cu placă)	28 mm/compresie
G	Agent frigorific (GAZ) (cu schimbător de căldură cu placă)	12,7 mm/manșon (E*ST**D-*) 15,88 mm/manșon (E*ST**C-*)
H	Agent frigorific (LICHID) (cu schimbător de căldură cu placă)	6,35 mm/manșon (E*ST**D-*) 9,52 mm/manșon (E*ST**C-*)
J	Intrări cablu electric ① ② ③ ④ ⑤ ⊙ ⊙ ⊙ ⊙ ⊙	Pentru intrările ①, ② și ③, folosiți fire pentru tensiune scăzută, inclusiv fire de intrare externe și fire pentru termistor. Pentru intrările ④ și ⑤, folosiți fire pentru tensiune crescută, inclusiv cablu de alimentare, cablu interior-exterior și fire de ieșire externe. *Pentru cablul receptorului wireless (opțional) și cablul pentru interfața Wi-Fi ecodan (opțional), folosiți intrarea ①.

⚠ Avertisment
 • Racordul conductelor de agent frigorific trebuie să fie accesibile pentru întreținere.
 • În cazul reconectării conductelor de agent frigorific după deconectare, refaceți partea cu manșon a conductei.

<Tabelul 3.4>

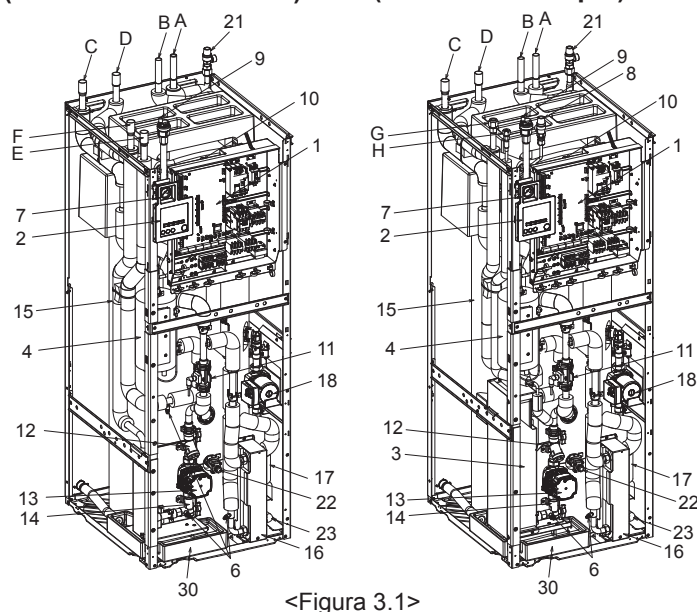
3 Informații tehnice

Componente

<E**T***.M**D>

(Sistem model ambalat)

(Sistem model split)

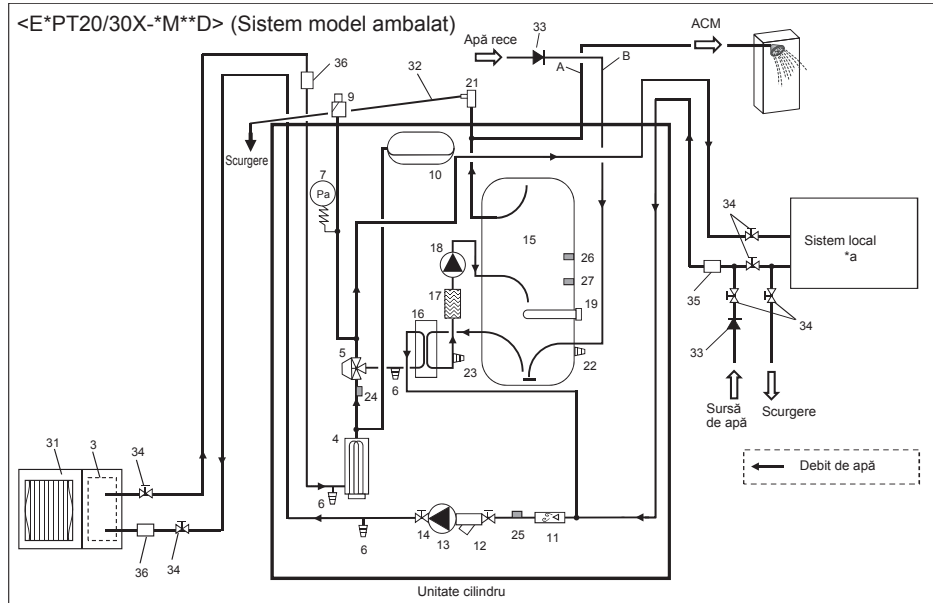


<Figura 3.1>

Notă:
Pentru instalarea tuturor modelelor E**T***.M**ED* trebuie să instalați un vas de expansiune de dimensiuni corespunzătoare în partea primară și un PRV auxiliar pentru prevenirea explozării vasului de expansiune în timpul funcționării. (Consultați figurile 3.2 ~ 3.3 și 4.3.2 pentru instrucțiuni suplimentare)

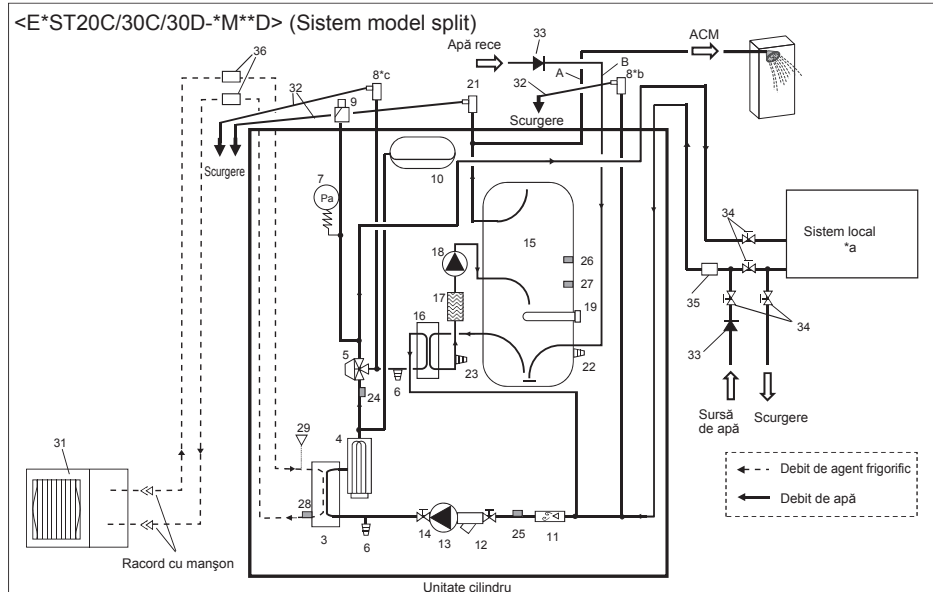
Diagramă circuit apă

<E*PT20/30X-.M**D> (Sistem model ambalat)



<Figura 3.2>

<E*ST20C/30C/30D-.M**D> (Sistem model split)



<Figura 3.3>

Nr.	Denumire piesă
A	Conductă ieșire ACM
B	Conductă intrare apă rece
C	Conductă apă (racord retur încălzire/răcire spațiu)
D	Conductă apă (racord debit încălzire/răcire spațiu)
E	Conductă apă (racord debit de la pompa de căldură)
F	Conductă apă (racord retur de la pompa de căldură)
G	Conductă agent frigorific (gaz)
H	Conductă agent frigorific (lichid)
1	Casetă electrică și de control
2	Telecomandă principală
3	Schimbător de căldură cu placă (agent frigorific - apă)
4	Încalzitor auxiliar 1,2
5	Supapă cu 3 căi
6	Robinet de evacuare (circuit primar)
7	Manometru
8	Valvă eliberare presiune (3 bari)
9	Ventil automat pentru aer
10	Vas de expansiune (circuit primar)
11	Senzor de debit
12	Supapă filtru
13	Pompă circulare apă 1 (circuit primar)
14	Supapă pompă
15	Rezervor ACM
16	Schimbător de căldură cu placă (apă - apă)
17	Captator de calcar
18	Pompă circulare apă (circuit sanitar)
19	Încalzitor cu imersie *1
20	Valvă eliberare presiune și de temperatură *1
21	Valvă eliberare presiune (10 bari) (rezervor ACM)
22	Robinet de evacuare (rezervor ACM)
23	Robinet de evacuare (circuit sanitar)
24	Termistor temperatură debit de apă (THW1)
25	Termistor temperatură retur apă (THW2)
26	Termistor temperatură superioară apă rezervor ACM (THW5A)
27	Termistor temperatură inferioară apă rezervor ACM (THW5B)
28	Termistor temperatură lichid agent frigorific (TH2)
29	Senzor de presiune
30	Tavă de scurgere
31	Unitate de exterior
32	Conductă de scurgere (furnizată local)
33	Dispozitiv prevenire reflux (furnizat local)
34	Supapă de izolare (furnizată local)
35	Filtru magnetic (furnizat local) (recomandat)
36	Filtru (furnizat local)
37	PRV suplimentar (furnizat local)
38	Grup de control intrare *1
39	Circuit de umplere (supape sferice, supape de verificare și furtun flexibil) *1
40	Vas de expansiune portabil *1

*1 Furnizat DOAR cu modelul pentru Regatul Unit. Consultați Manualul de instalare PAC-WK02UK-E pentru mai multe informații despre accesorii.

<Tabelul 3.5>

Accesați site-ul web Mitsubishi pentru a verifica circuitul de apă al celorlalte unități și componentele fiecărei unități.

*a Consultați următoarea secțiune [Local system] (Sistem local).

*b Doar E**T20

*c Doar E**T30

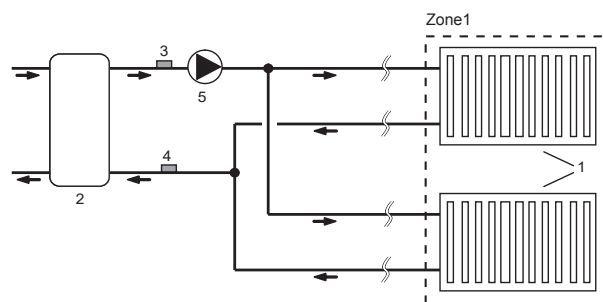
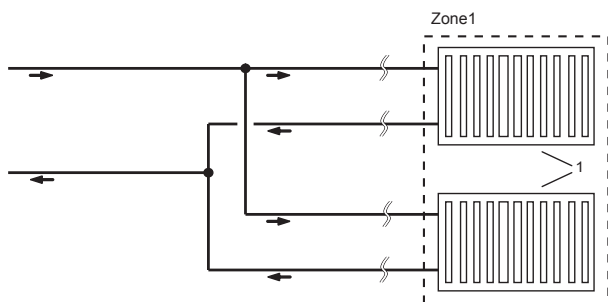
Notă

- Pentru a permite drenarea unității cilindru, trebuie să montați o supapă de izolare pe conducta de intrare și pe cea de ieșire.
- Trebuie să instalați un filtru pe conducta de intrare în unitatea cilindru.
- Conducta de scurgere corespunzătoare trebuie să fie conectată la toate valvele de eliberare, în conformitate cu reglementările țării dvs.
- Trebuie să instalați un dispozitiv de prevenire a refluxului pe conducta de alimentare cu apă rece (IEC 61770).
- Atunci când folosiți componente fabricate din diferite metale sau conducte de conexiune fabricate din diferite metale, izolați îmbinările pentru a preveni coroziunea, deoarece aceasta poate deteriora conductele.

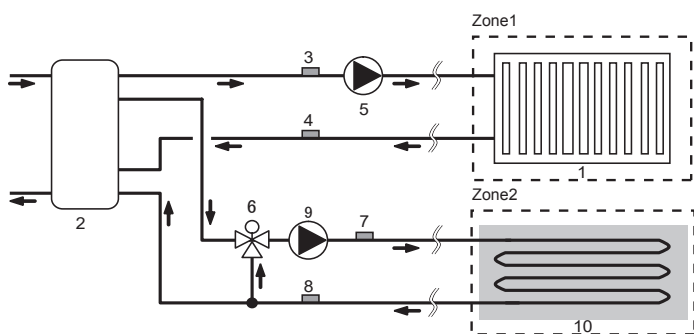
3 Informații tehnice

■ Sistem local

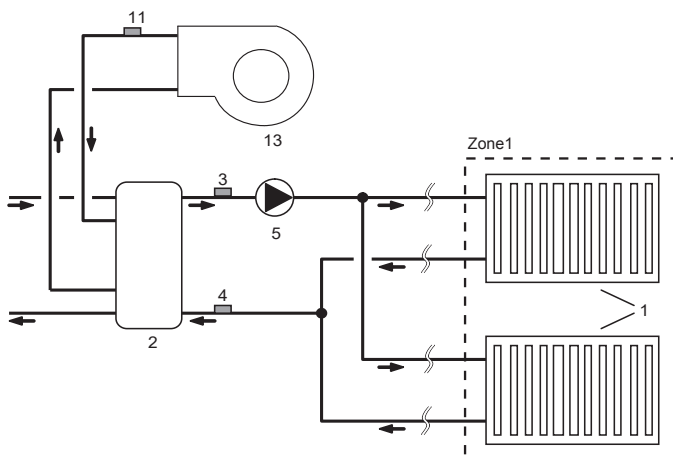
Control temperatură pe 1 zonă



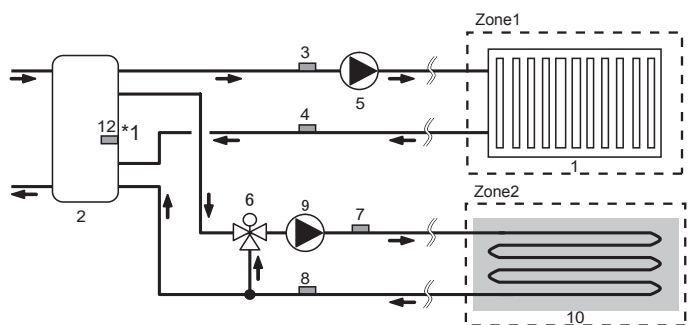
Control temperatură pe 2 zone



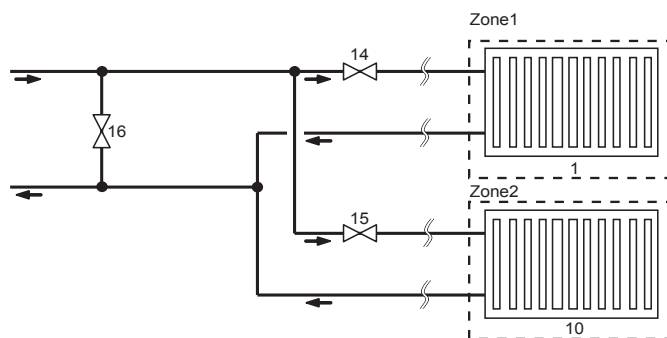
Control temperatură pe 1 zonă cu boiler



Control temperatură pe 2 zone și control al rezervorului tampon



Control temperatură pe 1 zonă (control PORNIRE/OPRIRE supapă pe 2 zone)



1. Emițători căldură Zone1 (de exemplu, radiator, unitate bobină ventilator) (furnizați local)
2. Rezervor de amestec (furnizat local)
3. Termistor temperatură debit de apă Zone1 (THW6) } Piesă opțională: PAC-TH011-E
4. Termistor temperatură retur apă Zone1 (THW7) }
5. Pompă de circulare pentru apă Zone1 (furnizată local)
6. Supapă de amestec motorizată (furnizată local)
7. Termistor temperatură debit de apă Zone2 (THW8) } Piesă opțională: PAC-TH011-E
8. Termistor temperatură retur apă Zone2 (THW9) }
9. Pompă de circulare pentru apă Zone2 (furnizată local)

10. Emițători de căldură Zone2 (de exemplu, încălzire în pardoseală) (furnizați local)
11. Termistor temperatură debit de apă boiler (THWB1) } Piesă opțională: PAC-TH012HT(L)-E
12. Termistor rezervor de amestec (THW10) *1 }
13. Boiler (furnizat local)
14. Supapă cu 2 căi Zone1 (furnizată local)
15. Supapă cu 2 căi Zone2 (furnizată local)
16. Supapă de derivație (furnizată local)

*1 DOAR controlul rezervorului tampon (încălzire/răcire) se referă la „Grilă inteligentă pregătită”.

4 Instalare

<Pregătire înainte de instalare și service>

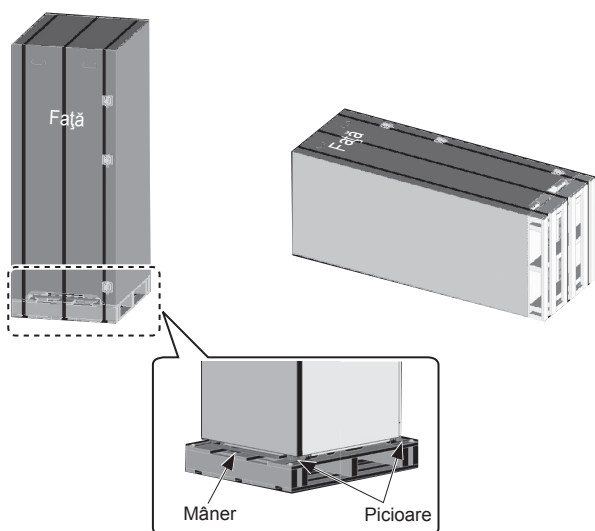
- Pregătiți instrumentele corespunzătoare.
- Pregătiți protecția corespunzătoare.
- Permiteți răcirea pieselor înainte de realizarea întreinerii.
- Furnizați o aerisire corespunzătoare.
- După încetarea funcționării sistemului, decuplați întrerupătorul de alimentare și scoateți ștecherul din priză.
- Descărcați condensatorul înainte de a începe lucrările care implică piese electrice.

<Măsuri de precauție în timpul service-ului>

- Nu realizați lucrări care implică piese electrice cu mâinile umede.
- Nu turnați apă sau lichide pe piesele electrice.
- Nu atingeți agentul frigorific.
- Nu atingeți suprafețele fierbinți sau reci din ciclul de agent frigorific.
- Atunci când trebuie realizate reparații sau inspecții ale circuitului fără decuplarea alimentării, aveți foarte mare grijă să NU atingeți piesele ÎN FUNCȚIUNE.

4.1 Locație

■ Transport și manipulare



<Figura 4.1.1>

Unitatea cilindru este livrată pe o bază formată dintr-un palet de lemn și o protecție de carton.

Trebuie să aveți grijă în timpul transportării unității cilindru și să nu deteriorați carcasa prin impact. Nu îndepărtați ambalajul de protecție decât atunci când unitatea cilindru se află în locația finală. Astfel, structura și panoul de control vor rămâne protejate.

- Unitatea cilindru poate fi transportată vertical sau orizontal. În cazul transportării orizontale, panoul marcat cu „Front” (Față) trebuie să fie îndreptat **ÎN SUS** <Figura 4.1.1>.
- Unitatea cilindru trebuie mutată ÎNTOTDEAUNA de minim 3 persoane.
- În timpul transportării unității cilindru, folosiți mânerul de transport.
- Înainte de folosirea mânerelor, asigurați-vă că acestea sunt fixate în mod corespunzător.
- **După ce unitatea se află în locația de instalare, îndepărtați mânerul frontal, picioarele de fixare, baza de lemn și alte ambalaje.**
- **Păstrați mânerul pentru transportarea ulterioară.**

■ Locație potrivită

Înainte de instalare, unitatea cilindru trebuie depozitată într-o locație ferită de intemperii și de îngheț. Unitățile **NU** trebuie să fie suprapuse.

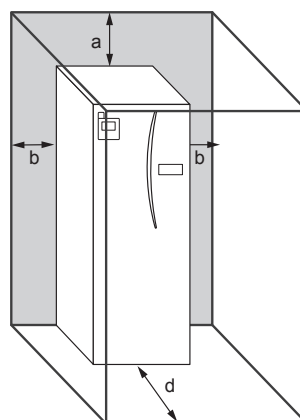
- Unitatea cilindru trebuie instalată în interior, într-o locație ferită de intemperii și de îngheț.
- Instalați unitatea cilindru într-un loc ferit de apă/umezeală în exces.
- Unitatea cilindru trebuie să fie așezată pe o suprafață plană, care poate susține greutatea **PLINĂ** a acesteia. (Picioarele reglabile (accesorii) pot fi utilizate pentru a vă asigura că unitatea este plană)
- Atunci când folosiți picioarele reglabile, asigurați-vă că podeaua este suficient de rezistentă.
- Trebuie să aveți grijă să respectați distanțele minime pentru acces de service din jurul unității <Figura 4.1.2>.
- Fixați unitatea cilindru pentru a preveni răsturnarea acesteia.

■ Diagrame acces service

Acces service	
Parametru	Dimensiune (mm)
a	300*
b	150
c (distanța din spatele unității nu este vizibilă în Figura 4.1.2)	10
d	500

<Tabelul 4.1.1>

TREBUIE să rămână suficient spațiu pentru montarea conductelor de evacuare, conform detaliilor din Reglementările naționale și locale privind construcțiile.



<Figura 4.1.2>

Acces service

* În timpul instalării kit-ului opțional cu 2 zone (PAC-TZ02-E), deasupra unității cilindru este necesară o distanță suplimentară de 300 mm (în total 600 mm).

Unitatea cilindru trebuie amplasată în interior, într-un mediu ferit de îngheț, cum ar fi într-o cameră utilitară, pentru minimizarea pierderilor de căldură a apei stocate.

■ Repoziționare

Dacă trebuie să mutați unitatea cilindru într-o nouă poziție, **DRENAȚI COMPLET** unitatea cilindru înainte de mutare pentru a evita deteriorarea unității.

4.2 Calitatea apei și pregătirea sistemului

■ General

- Apa din circuitul primar și cel sanitar trebuie să fie curată și cu o valoare a pH-ului de 6,5 - 8,0
- Valorile maxime sunt următoarele:
 Calciu: 100 mg/L, Durtate Ca: 250 mg/L
 Clorură: 100 mg/L, Cupru: 0,3 mg/L
- Alți constituenți trebuie să respecte standardele Directivei europene 98/83 CE.
- În zonele cu apă dură, pentru prevenirea/minimizarea depunerilor de calcar, se recomandă restricționarea temperaturii normale de stocare a apei (temperatura maximă ACM) la 55°C.

■ Anti-îngheț

Folosiți soluții împotriva înghețului cu propilen glicol cu Clasa 1 de toxicitate, conform Toxicologiei clinice pentru produse comerciale, ediția cu numărul 5.

Notă:

1. **Substanța etilen glicol este toxică și NU trebuie utilizată în circuitul primar de apă în cazul contaminării încrucișate a circuitului potabil.**
2. **Pentru controlul PORNIRII/OPRIRII supapei pe 2 zone, trebuie să folosiți substanța propilen glicol.**

■ Instalație nouă (circuit de apă primar)

- Înainte de conectarea unității de exterior, curățați bine conducta de resturi de materiale de construcții, sudură, etc., cu ajutorul unui agent de curățare chimic corespunzător.
- Clătiți sistemul pentru eliminarea agentului de curățare chimic.
- Pentru toate sistemele cu model ambalat adăugați un inhibitor combinat și o soluție anti-îngheț pentru a preveni deteriorarea conductelor și a pieselor sistemului.
- Pentru sistemele cu model split, instalatorul responsabil trebuie să decidă dacă este necesară o soluție anti-îngheț pentru condițiile locației de instalare. ÎNTOTDEAUNA trebuie să folosiți un inhibitor de coroziune.

■ Instalație existentă (circuit de apă primar)

- Înainte de conectarea unității de exterior, circuitul de încălzire existent TREBUIE curățat chimic pentru îndepărtarea resturilor de pe acesta.
- Clătiți sistemul pentru eliminarea agentului de curățare chimic.
- Pentru toate sistemele cu model ambalat și split sau sistem PUMY fără încălzitor auxiliar, adăugați un inhibitor combinat și o soluție anti-îngheț pentru a preveni deteriorarea conductelor și a pieselor sistemului.
- Pentru sistemele cu model split, instalatorul responsabil trebuie să decidă dacă este necesară o soluție anti-îngheț pentru condițiile locației de instalare. ÎNTOTDEAUNA trebuie să folosiți un inhibitor de coroziune.

Atunci când folosiți agenți de curățare chimici și inhibitori, urmați întotdeauna instrucțiunile producătorului și asigurați-vă că produsul este potrivit pentru materialele utilizate în circuitul de apă

■ Cantitate minimă de apă necesară pentru circuitul de încălzire/răcire a spațiului

Unitate de exterior cu pompă de căldură	Climă medie/caldă**		Climă rece**	
	Unitate de interior ce conține o cantitate de apă [L]	*Cantitate suplimentară de apă necesară [L]	Unitate de interior ce conține o cantitate de apă [L]	*Cantitate suplimentară de apă necesară [L]
Model capsulat	PUZ-WM50	2		24
	PUZ-WM60	4		29
	PUZ-WM85	7	5	32
	PUZ-WM112	11		43
	PUZ-HWM140	15		55
Model split	SUZ-SWM40	1		12
	SUZ-SWM60	2		21
	SUZ-SWM80	4		29
	PUD-S(H)WM60	4		21
	PUD-S(H)WM80	6		29
	PUD-S(H)WM100	9		38
	PUD-S(H)WM120	12		47
	PUD-SHWM140	15		55
	PUHZ-FRP71	6	5	27
	PUHZ-SW75	6		27
	PUHZ-SW100	9		38
	PUHZ-SW120	12		47
	PUHZ-SHW80	6		29
	PUHZ-SHW112	11		43
	PUHZ-SHW140	15		55
	PUMY-P112	22		75
	PUMY-P125	22		75
PUMY-P140	22		75	

<Tabelul 4.2.1>

* În cazul în care există un circuit de derivație, tabelul de mai sus reprezintă cantitatea minimă de apă în cazul unei derivații.

** Consultați 2009/125/EC: Directiva și reglementarea (UE) privind produsele energetice, nr. 813/2013, pentru confirmarea zonei climatice.

Cazul 1. Nicio diviziune între circuitul primar și cel secundar

- Asigurați-vă că aveți cantitatea de apă necesară, în conformitate cu tabelul 4.2.1, în conducta de apă și în radiator sau în încălzirea din pardoseală.

Cazul 2. Circuit primar și secundar separat

- Dacă operațiunea de interblocare a pompei secundare și primare nu este disponibilă, asigurați-vă că aveți cantitatea de apă suplimentară necesară în circuitul primar, în conformitate cu tabelul 4.2.1.
 - Dacă operațiunea de interblocare a pompei secundare și primare este disponibilă, asigurați-vă că aveți cantitatea de apă totală necesară în circuitul primar și în cel secundar, în conformitate cu tabelul 4.2.1.
- În cazul unui deficit de apă necesară, instalați un rezervor tampon.

4.3 Conducte de apă

■ Conducte de apă caldă

Unitatea cilindru nu este VENTILATĂ. Atunci când instalați sisteme de apă caldă neventilate, trebuie să respectați reglementările privind construcțiile, partea G3 (Anglia și Țara Galilor), P3 (Scoția) și P5 (Irlanda de Nord). În cazul în care vă aflați în afara Regatului Unit, respectați reglementările din țara dvs. pentru sistemele de apă caldă neventilate.

Conectați fluxul pentru ACM la conducta A (Figura 3.1).

Funcționarea următoarelor componente de siguranță ale unității cilindru trebuie verificate la instalare de orice anomalități:

- Valvă de eliberare a presiunii (circuit primar și rezervor)
- Pre-încărcare a vasului de expansiune (presiune de încărcare cu gaz)

Trebuie să urmați cu atenție instrucțiunile de pe paginile următoare privind evacuarea în siguranță a apei calde din dispozitivele de siguranță.

- Conductele vor deveni foarte fierbinți și trebuie izolate pentru prevenirea arsurilor.
- Atunci când conectați conductele, asigurați-vă că eventualele obiecte străine sau resturi nu ajung în conducte.

■ Conducte de apă rece

Apa rece la standarde adecvate (consultați secțiunea 4.2) trebuie introdusă în sistem prin conectarea conductei B (Figura 3.1), cu ajutorul fittingurilor corespunzătoare.

■ Prevenirea presiunii negative

Pentru a preveni presiunea negativă care afectează rezervorul ACM, instalatorul trebuie să instaleze conducte corespunzătoare sau să folosească dispozitive corespunzătoare.

■ Lucrări cu filtre hidraulice (DOAR pentru seria E*PT)

Instalați un filtru hidraulic (furnizat local) la intrarea apei („Conducta E” din Fig. 3.1)

■ Racorduri conducte

Racordurile la unitatea cilindru trebuie realizate prin compresie de 22 mm sau 28 mm, după caz.

Atunci când conectați conductele ACM cu fittinguri de compresie, introduceți **căptușeala de cupru pentru conducta ACM** (accesorii) în conducte și strângeți-le între 0,75 și 1,25 rotiri.

Nu suprastrângeți fittingurile de compresie, deoarece acest lucru poate cauza deformarea inelului măsliu și potențiale scurgeri.

Notă: Înainte de lipirea conductelor la fața locului, protejați conductele de pe unitatea cilindru cu prosoape umede etc., sub formă de „scut de căldură”.

■ Izolarea conductelor

- Toate conductele de apă expuse trebuie izolate pentru prevenirea pierderilor inutile de căldură și a condensului. Pentru a preveni intrarea condensului în unitatea cilindru, conductele și racordurile din partea superioară a unității cilindru trebuie izolate cu atenție.
- Conductele de apă rece și caldă nu trebuie să fie amplasate apropiat, unde este cazul, pentru evitarea transferului nedorit de căldură.
- Conductele dintre unitatea de exterior cu pompă de căldură și unitatea cilindru trebuie să fie izolate cu un material de izolare a conductelor cu o conductivitate de $\leq 0,04$ W/m.K.

4 Instalare

■ Conducte de scurgere (DOAR pentru seria ER)

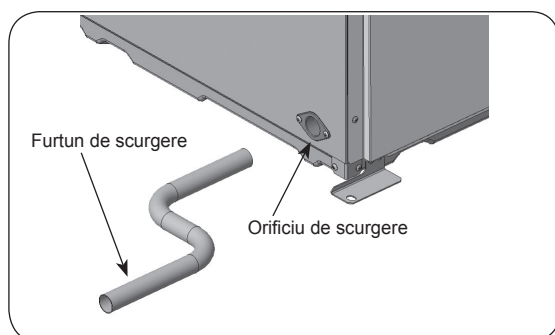
Piesa opțională „Suport tavă de scurgere” nu trebuie montată deoarece tava de scurgere este instalată. Scurgerea trebuie să fie montată în orificiul de scurgere din partea stânga-spate a unității.

Conducta de scurgere trebuie instalată pentru scurgerea apei formate prin condensare în timpul modului de răcire.

- Pentru a preveni scurgerea apei murdare direct pe podea, lângă unitatea cilindru, conectați conducta de evacuare corespunzătoare la tava de scurgere a cilindrului.
- Instalați bine conducta de scurgere pentru a preveni scurgerile cauzate de racord.
- Izolați bine conducta de scurgere pentru a preveni picurarea apei din conducta de scurgere furnizată local.
- Instalați conducta de scurgere în cădere, în pantă de 1/100 sau mai mare.
- Nu amplasați conducta de scurgere în canalul de scurgere în care există gaz sulfuric.
- După instalare, verificați scurgerea corespunzătoare a apei din ieșirea conductei până la locația potrivită de evacuare.

<Instalare>

1. Orificiul de scurgere (diametru interior de 26mm) se află în partea stânga-spate a unității cilindru. (Figura 4.3.1)
 2. Lipiți conducta de scurgere (VP-20) potrivită pentru orificiul de scurgere cu adeziv de tip clorură de polivinil.
 3. Montați conducta de scurgere pe evacuare în pantă de minim o sutime.
- Notă: Asigurați bine conducta de scurgere furnizată local pentru a evita căderea conductei din orificiul de scurgere.



<Figura 4.3.1>



■ Dimensiunile vaselor de expansiune

Volumul vasului de expansiune trebuie să fie potrivit pentru volumul apei din sistemul local.

Pentru dimensiunea vasului de expansiune pentru circuitul de încălzire puteți folosi formula și graficul următor.

Atunci când volumul vasului de expansiune necesar depășește volumul unui vas de expansiune încorporat, instalați un vas de expansiune suplimentar, astfel încât suma volumelor vaselor de expansiune să depășească volumul vasului de expansiune necesar.

* Pentru instalarea unui model E**T***-M*ED*, furnizați și instalați la fața locului un vas de expansiune adecvat pentru partea primară și o valvă auxiliară de eliberare a presiunii, cu o capacitate nominală de 3 bari, deoarece modelul **NU ESTE** dotat cu un vas de expansiune în partea primară.

$$V = \frac{\epsilon \times G}{1 - \frac{P_1 + 0,098}{P_2 + 0,098}}$$

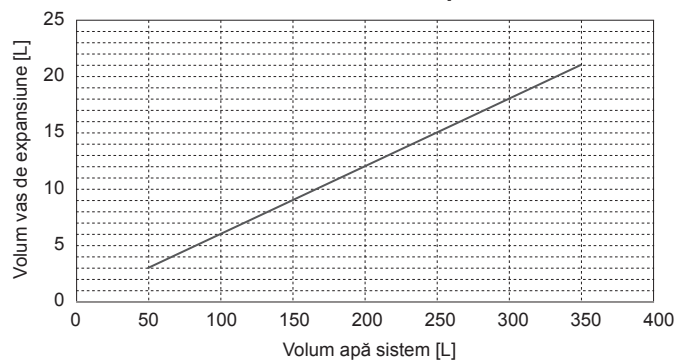
Unde:

- V : Volumul vasului de expansiune necesar [L]
 ε : Coeficientul de expansiune a apei
 G : Volumul total de apă din sistem [L]
 P₁ : Presiunea setată a vasului de expansiune [MPa]
 P₂ : Presiunea maximă în timpul funcționării [MPa]

Graficul din dreapta a fost creat pentru următoarele valori

- ε : la 70°C = 0,0229
 P₁ : 0,1 MPa
 P₂ : 0,3 MPa
 *A fost adăugată o marjă de siguranță de 30%.

Dimensiune vas de expansiune



<Figura 4.3.2>

4 Instalare

■ Caracteristici pompă de circulare a apei

1. Circuit primar

Viteza pompei poate fi selectată prin setarea telecomenzii principale (consultați <Figurile 4.3.3 - 4.3.7>).

Reglați viteza pompei astfel încât debitul din circuitul primar să fie corespunzător pentru unitatea de exterior instalată (consultați Tabelul 4.3.1). Este posibil să fie necesar să adăugați o pompă auxiliară la sistem, în funcție de lungimea și elevația circuitului primar.

Pentru modelele de unitate exterioară care nu sunt listate în <Tabelul 4.3.1>, consultați intervalul de debit al apei din tabelul cu specificații din Cartea tehnică a unității de exterior.

<Pompă secundară>

În cazul în care este necesară o pompă secundară pentru instalare, citiți cu atenție următoarele informații.

În cazul în care utilizați o pompă secundară în sistem, aceasta poate fi poziționată în 2 moduri.

Poziția pompei influențează terminalul la care trebuie conectat cablul de semnal FTC. În cazul în care pompa auxiliară necesită un curent mai mare de 1A, folosiți un releu corespunzător. Cablul de semnal al pompei poate fi conectat la TBO.1 1-2 sau CNP1, dar NU la ambele.

Opțiunea 1 (doar încălzire/răcire spațiu)

În cazul în care pompa secundară este utilizată doar pentru circuitul de încălzire, atunci cablul de semnal trebuie conectat la terminalele TBO.1 3 și 4 (OUT2). În această poziție, pompa poate fi acționată la o viteză diferită de pompa încorporată a unității cilindru.

Opțiunea 2 (circuit primar ACM și încălzire/răcire spațiu)

În cazul în care pompa secundară este utilizată în circuitul primar, între unitatea cilindru și unitatea de exterior (DOAR pentru sistemul ambalat), atunci cablul de semnal trebuie conectat la terminalele TBO.1 1 și 2 (OUT1). În această poziție, viteza pompei **TREBUIE** să se potrivească cu cea a pompei încorporate a unității cilindru.

Notă: Consultați 5.2 Intrări/ieșiri de conectare.

Unitate de exterior cu pompă de căldură	Interval debit de apă [L/min]	
Model capsulat	PUZ-WM50	6,5 - 14,3
	PUZ-WM60	8,6 - 17,2
	PUZ-WM85	10,8 - 24,4
	PUZ-WM112	14,4 - 32,1
	PUZ-HWM140	17,9 - 36,9
Model split	SUZ-SWM40	6,5 - 11,4
	SUZ-SWM60	7,2 - 17,2
	SUZ-SWM80	7,8 - 21,5
	PUD-S(H)WM60	9,0 - 22,9
	PUD-S(H)WM80	9,0 - 22,9
	PUD-S(H)WM100	14,3 - 34,4
	PUD-S(H)WM120	14,3 - 34,4
	PUD-SHWM140	14,3 - 34,4
	PUHZ-FRP71	11,5 - 22,9
	PUHZ-SW75	10,2 - 22,9
	PUHZ-SW100	14,4 - 32,1
	PUHZ-SW120	20,1 - 36,9
	PUHZ-SHW80	10,2 - 22,9
	PUHZ-SHW112	14,4 - 32,1
	PUHZ-SHW140	17,9 - 36,9
PUMY-P112	17,9 - 35,8	
PUMY-P125	17,9 - 35,8	
PUMY-P140	17,9 - 35,8	

<Tabelul 4.3.1>

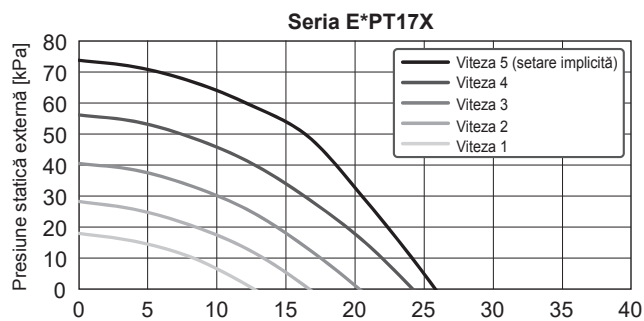
* În cazul în care debitul apei este mai mic decât setarea pentru debitul minim al senzorului de debit (implicit 5,0 L/min), va apărea o eroare de debit. În cazul în care debitul apei depășește 36,9 L/min (seria E**T20/30) sau 25,8 L/min (seria E**T17), viteza debitului va fi mai mare de 2,0 m/s, lucru care ar putea eroda conductele.

2. Circuit sanitar

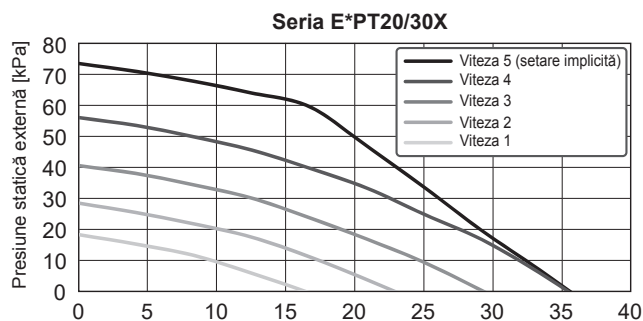
Setare implicită: Viteza 2

Pompa de circulare ACM **TREBUIE** să fie setată pe viteza 2.

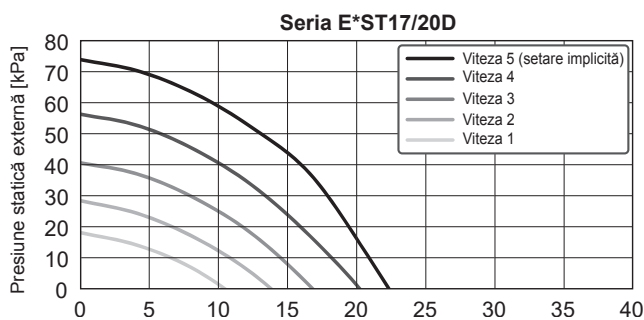
Caracteristici pompă de circulare a apei



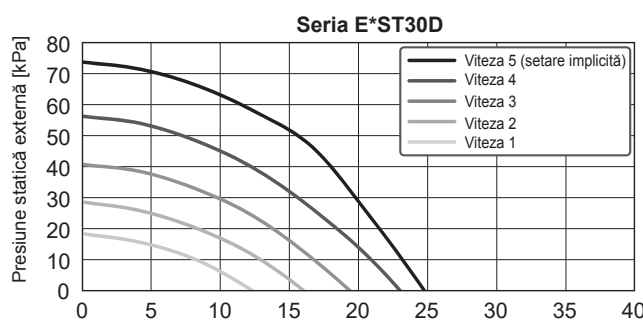
<Figura 4.3.3>



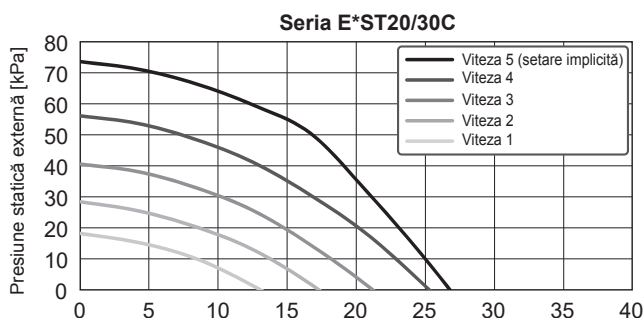
<Figura 4.3.4>



<Figura 4.3.5>



<Figura 4.3.6>



<Figura 4.3.7>

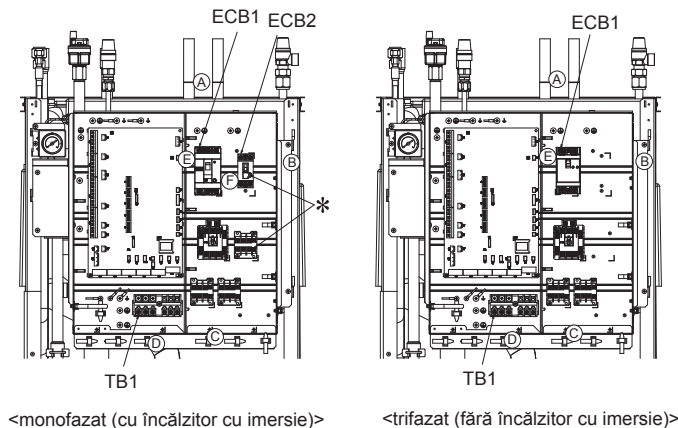
*Pentru instalarea seriei E*PT, setați viteza pompei cu o scădere de presiune între unitatea cilindru și unitatea de exterior factorizată în presiunea statică externă.

4 Instalare

4.4 Conexiune electrică

Toate lucrările electrice trebuie să fie realizate doar de către un tehnician calificat. Nerespectarea acestui lucru poate cauza electrocutare, incendii sau deces. De asemenea, acest lucru va anula garanția produsului. Toate cablajele trebuie conectate în conformitate cu reglementările naționale privind cablajele.

Abreviere întrerupători	Semnificație
ECB1	Întrerupător de circuit pentru pierderi de curent pentru încălzitorul auxiliar
ECB2	Întrerupător de circuit pentru pierderi de curent pentru încălzitorul cu imersie
TB1	Bloc terminal 1



<monofazat (cu încălzitor cu imersie)>

<trifazat (fără încălzitor cu imersie)>

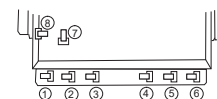
Unitatea cilindru poate fi alimentată în două moduri.

1. Cablul de alimentare este instalat de la unitatea de exterior la unitatea cilindru.
2. Unitatea cilindru are o sursă de alimentare independentă

Conexiunile trebuie realizate la terminalele indicate în figurile din stânga jos, în funcție de fază.

Încălzitorul auxiliar și încălzitorul cu imersie trebuie conectate independent una față de cealaltă, la surse de alimentare dedicate.

- Ⓐ Cablurile furnizate local trebuie introduse prin orificiile din partea superioară a unității cilindru. (Consultați <Tabelul 3.4>.)
- Ⓑ Cablurile trebuie montate pe partea dreaptă a casetei electrice și de control și legate cu clemele furnizate.
- Ⓒ Cablurile trebuie introduse individual prin orificiile pentru cabluri, conform figurii de mai jos.
 - ② Fir de ieșire
 - ③ Fir interior-exterior
 - ⑤ Cablu de alimentare (B.H.) / cablu de alimentare (I.H.) (opțional)
 - ⑦ Fire intrare semnal
- Ⓓ Conectați cablul de legătură pentru unitatea de exterior - unitatea cilindru la TB1.
- Ⓔ Conectați cablul de alimentare pentru încălzitorul auxiliar la ECB1.
- Ⓕ În cazul în care există un încălzitor cu imersie, conectați cablul de alimentare la ECB2.



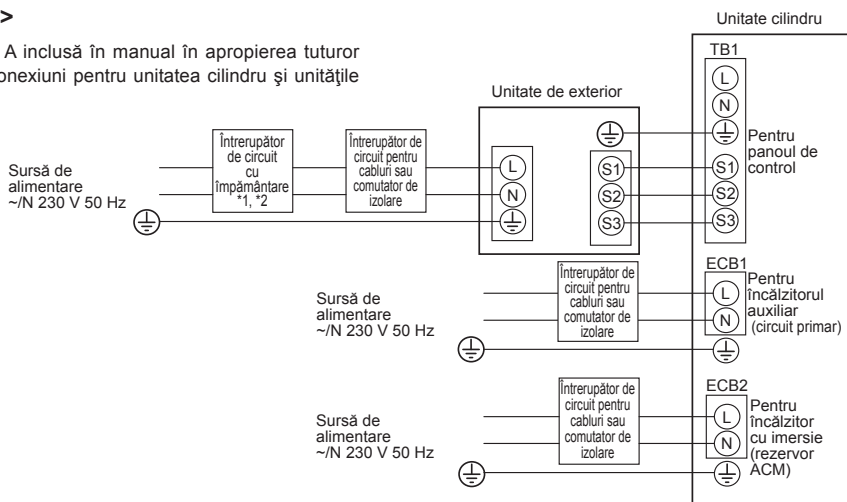
- Evitați contactul dintre cabluri și piese (*).
- Asigurați-vă că ECB1 și ECB2 sunt PORNITE.
- La finalizarea cablajelor, cablul telecomenzii de control trebuie să fie conectat la mufa releului.

Unitate cilindru alimentată de la unitatea de exterior

(În cazul în care doriți să folosiți o sursă independentă, accesați website-ul Mitsubishi.)

<monofazat>

Atașați eticheta A inclusă în manual în apropierea tuturor schemelor de conexiuni pentru unitatea cilindru și unitățile de exterior.



<Figura 4.4.1>

Conexiuni electrice - monofazat

- *1. În cazul în care întrerupătorul de circuit pentru pierderi de curent nu dispune de o funcție de protecție împotriva supratensiunii, instalați un întrerupător cu această funcție pe aceeași linie de alimentare.
- *2. Trebuie furnizat un întrerupător cu o separare a contactelor de minim 3,0 mm pentru fiecare pol. Folosiți un întrerupător pentru pierderi de curent (NV). Întrerupătorul are rolul de deconectare a tuturor conductorilor de fază active ale sursei.
- *3. Maxim 45 m în cazul în care folosiți 2,5 mm², maxim 50 m în cazul în care folosiți 2,5 mm² și S3 separat, maxim 80 m
- *4. Valorile prezentate în tabelul de mai sus nu sunt întotdeauna măsurate față de valoarea de bază.

Descriere	Sursă de alimentare	Capacitate	Întrerupător	Cablu
Încălzitor auxiliar (circuit primar)	~N 230 V 50 Hz	2 kW	16 A *2	2,5 mm ²
		6 kW	32 A *2	6,0 mm ²
Încălzitor cu imersie (rezervor ACM)	~N 230 V 50 Hz	3 kW	16 A *2	2,5 mm ²

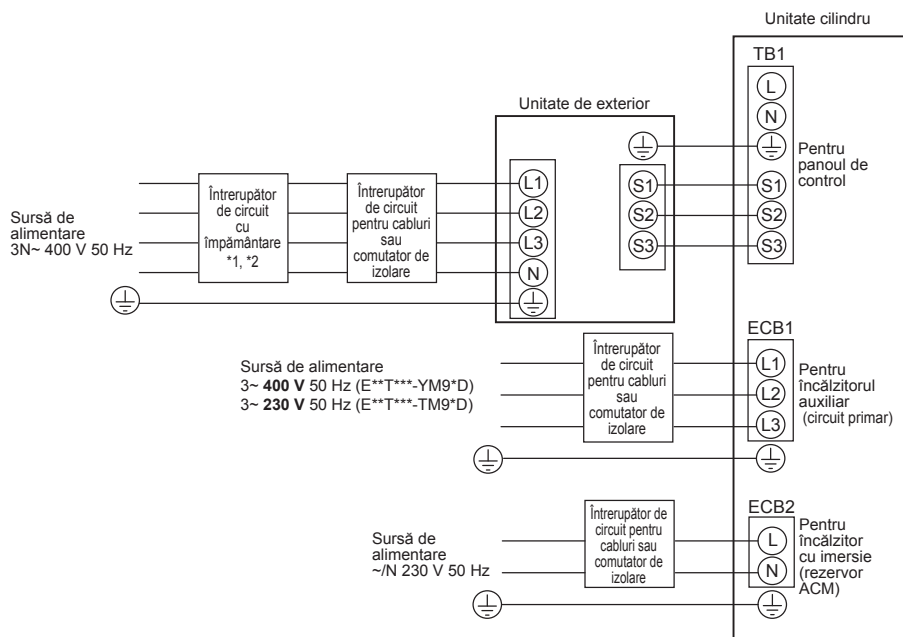
Cabluri Nr. cabluri x dimensiune (mm ²)	Unitate cilindru - unitate de exterior		
	Unitate cilindru - unitate de exterior	*3	3 x 1,5 (polar)
Capacitate nominală circuit	Împământare unitate cilindru - unitate de exterior	*3	1 x minim 1,5
Unitate cilindru - unitate de exterior	S1 - S2	*4	230 V AC
	S2 - S3	*4	24 V DC

- Notă:**
1. Dimensiunea cablurilor trebuie să fie în conformitate cu codurile locale și naționale aplicabile.
 2. Cablurile de legătură pentru unitatea de interior/exterior nu trebuie să fie mai ușoare decât cablul flexibil cu înveliș de policloropren. (Proiect 60245 IEC 57)
Cablurile de alimentare pentru unitatea de interior nu trebuie să fie mai ușoare decât cablul flexibil cu înveliș de policloropren. (Proiect 60227 IEC 53)
 3. Instalați o împământare mai lungă decât celelalte cabluri.
 4. Mențineți o capacitate de ieșire suficientă pentru alimentarea fiecărui încălzitor. O capacitate de alimentare insuficientă poate cauza intermitențe.

4 Instalare

<trifazat>

Atașați eticheta A inclusă în manual în apropierea tuturor schemelor de conexiuni pentru unitatea cilindru și unitățile de exterior.



<Figura 4.4.2>
Conexiuni electrice - trifazat

Descriere	Sursă de alimentare	Capacitate (ref. unitate de interior)	Întrerupător	Cablu
Încălzitor auxiliar (circuit primar)	3~ 400 V 50 Hz	9 kW	16 A *2	2,5 mm ²
	3~ 230 V 50 Hz	9 kW	32 A *2	6,0 mm ²
Încălzitor cu imersie (rezervor ACM)	~/N 230 V 50 Hz	3 kW	16 A *2	2,5 mm ²

Cabluri Nr. cabluri x dimensiune (mm ²)	Unitate cilindru - unitate de exterior	*3	3 x 1,5 (polar)
	Împământare unitate cilindru - unitate de exterior	*3	1 x minim 1,5
Capacitate nominală circuit	Unitate cilindru - unitate de exterior S1 - S2	*4	230 V AC
	Unitate cilindru - unitate de exterior S2 - S3	*4	24 V DC

- *1. În cazul în care întrerupătorul de circuit pentru pierderi de curent nu dispune de o funcție de protecție împotriva supratensiunii, instalați un întrerupător cu această funcție pe aceeași linie de alimentare.
- *2. Trebuie furnizat un întrerupător cu o separare a contactelor de minim 3,0 mm pentru fiecare pol. Folosiți un întrerupător pentru pierderi de curent (NV). Întrerupătorul are rolul de deconectare a tuturor conductorilor de fază active ale sursei.
- *3. Maxim 45 m
În cazul în care folosiți 2,5 mm², maxim 50 m
În cazul în care folosiți 2,5 mm² și S3 separat, maxim 80 m
- *4. Valorile prezentate în tabelul de mai sus nu sunt întotdeauna măsurate față de valoarea de bază.

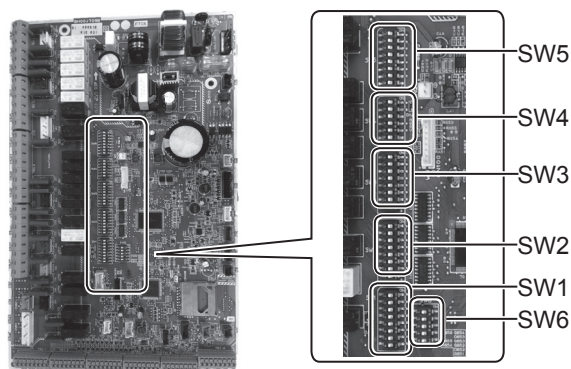
- Notă:**
1. Dimensiunea cablurilor trebuie să fie în conformitate cu codurile locale și naționale aplicabile.
 2. Cablurile de legătură pentru unitatea de interior/exterior nu trebuie să fie mai ușoare decât cablul flexibil cu înveliș de policloropren. (Proiect 60245 IEC 57)
Cablurile de alimentare pentru unitatea de interior nu trebuie să fie mai ușoare decât cablul flexibil cu înveliș de policloropren. (Proiect 60227 IEC 53)
 3. Instalați o împământare mai lungă decât celelalte cabluri.
 4. Mențineți o capacitate de ieșire suficientă pentru alimentarea fiecărui încălzitor. O capacitate de alimentare insuficientă poate cauza intermitențe.

5 Configurare sistem

5.1 Funcții comutator DIP

Numărul comutatorului DIP este imprimat pe placa de circuit de lângă comutatoarele relevante. Cuvântul PORNIT este imprimat pe placa de circuit și pe blocul cu comutator DIP. Pentru a muta comutatorul trebuie să folosiți un pin sau colțul unui linier metalic subțire sau ceva asemănător.

Setările pentru comutatorul DIP sunt prezentate în Tabelul 5.1.1. Numai un instalator autorizat poate modifica setarea comutatorului DIP e propria răspundere, în conformitate cu starea instalației. Asigurați-vă că ați oprit alimentarea pentru unitatea de interior și cea de exterior înainte de modificarea setărilor comutatorului.



<Figura 5.1.1>

Comutator DIP	Funcție	OPRIT	PORNIT	Setări implicite: Model unitate de interior		
SW1	SW1-1 Boiler	FĂRĂ boiler	CU boiler	OPRIT		
	SW1-2 Temperatură maximă de ieșire a apei pentru pompa de căldură	55°C	60°C	PORNIT *1		
	SW1-3 Rezervor ACM	FĂRĂ rezervor ACM	CU rezervor ACM	PORNIT		
	SW1-4 Încălzitor cu imersie	FĂRĂ încălzitor cu imersie	CU încălzitor cu imersie	OPRIT: Cu excepția EHPT20X-MHEDW PORNIT: EHPT20X-MHEDW		
	SW1-5 Încălzitor auxiliar	FĂRĂ încălzitor auxiliar	CU încălzitor auxiliar	OPRIT: E**T***-M*ED* PORNIT: E**T***-M 2/6/9*D		
	SW1-6 Funcție încălzitor auxiliar	Doar pentru încălzire	Pentru încălzire și ACM	OPRIT: E**T***-M*ED* PORNIT: E**T***-M 2/6/9*D		
	SW1-7 Tip unitate de exterior	Tip split	Tip ambalat	OPRIT: E*ST***-M**D PORNIT: E*PT**X-M**D		
	SW1-8 Telecomandă wireless	FĂRĂ telecomandă wireless	CU telecomandă wireless	OPRIT		
SW2	SW2-1 Schimbare logică intrare termostat 1 cameră (IN1)	Oprire funcționare Zone1 la oprirea termostatului	Oprire funcționare Zone1 la deschiderea termostatului	OPRIT		
	SW2-2 Schimbare logică intrare comutator 1 debit (IN2)	Detectare eroare la oprire	Detectare eroare la deschidere	OPRIT		
	SW2-3 Restricție capacitate încălzitor auxiliar	Inactivă	Activă	OPRIT: Cu excepția E**T***-VM2*D PORNIT: E**T***-VM2*D		
	SW2-4 Funcție mod răcire	Inactivă	Activă	OPRIT: EH*T***-M**D* PORNIT: ER*T***-M**D		
	SW2-5 Schimbare automată pe funcționarea sursei de încălzire de rezervă (atunci când unitatea se oprește din cauza unei erori)	Inactivă	Activă *2	OPRIT		
	SW2-6 Rezervor de amestec	FĂRĂ rezervor de amestec	CU rezervor de amestec	OPRIT		
	SW2-7 Control temperatură pe 2 zone	Inactiv	Activ *6	OPRIT		
	SW2-8 Senzor de debit	FĂRĂ senzor de debit	CU senzor de debit	PORNIT		
SW3	SW3-1 Schimbare logică intrare termostat 2 cameră (IN6)	Oprire funcționare Zone2 la oprirea termostatului	Oprire funcționare Zone2 la deschiderea termostatului	OPRIT		
	SW3-2 Schimbare logică intrare comutator 2 și 3 pentru debit	Detectare eroare la oprire	Detectare eroare la deschidere	OPRIT		
	SW3-3 Tip supapă cu 3 căi	Motor AC	Motor pas cu pas	OPRIT: Cu excepția E**T17X/17D/20D-M**D* PORNIT: E**T17X/17D/20D-M**D		
	SW3-4 Contor electric	FĂRĂ contor electric	CU contor electric	OPRIT		
	SW3-5 Funcție mod de încălzire *3	Inactivă	Activă	PORNIT		
	SW3-6 Control PORNIRE/OPRIRE supapă pe 2 zone	Inactiv	Activ	OPRIT		
	SW3-7 Schimbător de căldură pentru ACM	Bobină în rezervor	Placă externă HEX	PORNIT		
	SW3-8 Contor termic	FĂRĂ contor termic	CU contor termic	OPRIT		
SW4	SW4-1	—	—	OPRIT		
	SW4-2	—	—	OPRIT		
	SW4-3	—	—	OPRIT		
	SW4-4 Funcționarea exclusivă a unității de interior (în timpul lucrărilor de instalare) *4	Inactivă	Activă	OPRIT		
	SW4-5 Mod de urgență (funcționare exclusivă încălzitor)	Normal	Mod de urgență (funcționare exclusivă încălzitor)	OPRIT *5		
	SW4-6 Mod de urgență (funcționare boiler)	Normal	Mod de urgență (funcționare boiler)	OPRIT *5		
SW5	SW5-1	—	—	OPRIT		
	SW5-2 Adaptare automată avansată	Inactivă	Activă	PORNIT		
	SW5-3	Cod capacitate				
	SW5-4	SW5-3	SW5-4	SW5-5	SW5-6	SW5-7
	SW5-5	E**T**C-M**D	PORNIT	PORNIT	PORNIT	OPRIT
	SW5-6	E**T**D-M**D	PORNIT	OPRIT	OPRIT	OPRIT
	SW5-7	E**T**X-M**D*	OPRIT	OPRIT	OPRIT	OPRIT
	SW5-8	—	—	—	—	OPRIT
SW6	SW6-1	—	—	OPRIT		
	SW6-2	—	—	OPRIT		
	SW6-3 Senzor de presiune	Inactiv	Activ	OPRIT: Cu excepția E*ST**D-M**D PORNIT: E*ST**D-M**D		
	SW6-4 Semnal ieșire analogică (0-10 V)	Inactiv	Activ	OPRIT		
	SW6-5	—	—	—	OPRIT	

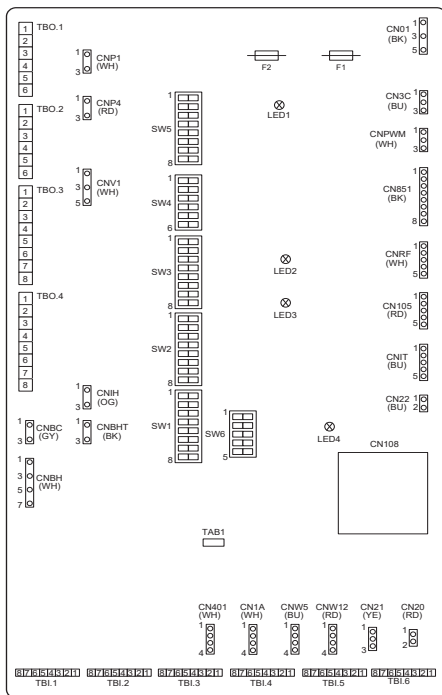
<Tabelul 5.1.1>

Notă:

- *1. Atunci când unitatea cilindru este conectată la o unitate de exterior PUMY-P a cărei temperatură maximă de ieșire a apei este de 55°C, comutatorul DIP SW1-2 trebuie setat pe OPRIT.
- *2. Ieșirea externă (OUT11) va fi disponibilă. Din motive de siguranță, această funcție nu este disponibilă pentru anumite erori. (În acest caz, funcționarea sistemului trebuie oprită și doar pompa de circulare a apei va mai funcționa.)
- *3. Acest comutator funcționează doar atunci când unitatea cilindru este conectată la o unitate de exterior PUHZ-FRP. Atunci când este conectată un alt tip de unitate de exterior, funcția cu mod de încălzire este activă indiferent dacă acest comutator este PORNIT sau OPRIT.
- *4. Încălzirea spațiului și ACM pot fi acționate doar pentru unitatea de interior, asemenea unui încălzitor electric. (Consultați „5.4 Funcționarea exclusivă a unității de interior”.)
- *5. În cazul în care modul de urgență nu mai este necesar, setați comutatorul înapoi pe poziția OPRIT.
- *6. Activ doar atunci când SW3-6 este setat pe OPRIT.

5 Configurare sistem

5.2 Intrări/ieșiri de conectare



<Figura 5.2.1>

Specificații cablare și piese furnizate local

Element	Nume	Model și specificații
Funcție intrare semnal	Fir intrare semnal	Folosiți un fir sau un cablu cu înveliș de vinil. Maxim 30 m Tip de fir: CV, CVS sau echivalent Dimensiune fir: Liță între 0,13 mm ² și 0,52 mm ² Fir masiv: între ø0,4 mm și ø0,8 mm
	Comutator	Semnal contact „a” fără tensiune Comutator de la distanță: sarcină minimă aplicabilă 12 V DC, 1 mA

Notă:

Lița trebuie procesată cu un terminal izolat (de tip compatibil cu standardul DIN46228-4).

Intrări semnal

Nume	Bloc terminal	Conector	Element	OPRIT (deschis)	PORNIT (scurt)
IN1	TBI.1 7-8	—	Intrare 1 termostat cameră *1	Consultați SW2-1 din <5.1 Funcții comutator DIP>.	
IN2	TBI.1 5-6	—	Intrare 1 comutator debit	Consultați SW2-2 din <5.1 Funcții comutator DIP>.	
IN3	TBI.1 3-4	—	Intrare 2 comutator debit (Zone1)	Consultați SW3-2 din <5.1 Funcții comutator DIP>.	
IN4	TBI.1 1-2	—	Intrare control cerere	Normal	OPRIRE sursă de încălzire/functionare boiler *3
IN5	TBI.1 7-8	—	Intrare termostat cameră *2	Funcționare standard	Funcționare încălzitor/functionare boiler *3
IN6	TBI.2 5-6	—	Intrare 2 termostat cameră *1	Consultați SW3-1 din <5.1 Funcții comutator DIP>.	
IN7	TBI.2 3-4	—	Intrare 3 comutator debit (Zone2)	Consultați SW3-2 din <5.1 Funcții comutator DIP>.	
IN8	TBI.3 7-8	—	Contor electric 1	*4	
IN9	TBI.3 5-6	—	Contor electric 2		
IN10	TBI.2 1-2	—	Contor termic		
IN11	TBI.3 3-4	—	Intrare grilă inteligentă pregătită	*5	
IN12	TBI.3 1-2	—			
INA1	TBI.4 1-3	CN1A	Senzor de debit	—	—

*1. Setați durata ciclului de PORNIRE/OPRIRE al termostatului de cameră pe 10 minute sau mai mult. În caz contrar, compresorul poate fi deteriorat.

*2. În cazul în care folosiți un termostat de exterior pentru controlul încălzitorilor, durata de utilizare a încălzitorilor și a pieselor asociate poate fi redusă.

*3. Pentru a porni funcționarea boilerului, folosiți telecomanda principală pentru a selecta „Boiler” din ecranul „External input setting” (Setare intrare externă) din meniul de service.

*4. Contor electric și termic conectabil

- Tip puls Contact fără tensiune pentru detectarea 12 VDC prin FTC (TBI.2 1 pin, TBI.3 5 și 7 pini au o tensiune pozitivă.)
- Durată puls Durată minimă pentru PORNIRE: 40 ms
Durată minimă pentru OPRIRE: 100 ms
- Unitate posibilă pentru puls 0,1 puls/kWh 1 puls/kWh 10 puls/kWh
100 puls/kWh 1000 puls/kWh

Acele valori pot fi setate prin intermediul telecomenzii principale. (Consultați arborele de meniu din „Telecomanda principală”).

*5. Pentru detalii despre grila inteligentă pregătită, consultați „5.5 Grilă inteligentă pregătită”.

Intrări termistor

Nume	Bloc terminal	Conector	Element	Model piesă opțională
TH1	—	CN20	Termistor (temperatură cameră) (opțiune)	PAC-SE41TS-E
TH2	—	CN21	Termistor (temperatură de referință pentru lichid)	—
THW1	—	CNW12 1-2	Termistor (temperatură apă debit)	—
THW2	—	CNW12 3-4	Termistor (temperatură apă retur)	—
THW5A	—	CNW5 1-2	Termistor (temperatură apă superioară rezervor ACM)	—
THW5B	—	CNW5 3-4	Termistor (temperatură apă inferioară rezervor ACM)	—
THW6	TBI.5 7-8	—	Termistor (temperatură apă debit Zone1) (Opțiune) *1	PAC-TH011-E
THW7	TBI.5 5-6	—	Termistor (temperatură apă retur Zone1) (Opțiune) *1	
THW8	TBI.5 3-4	—	Termistor (temperatură apă debit Zone2) (Opțiune) *1	PAC-TH011-E
THW9	TBI.5 1-2	—	Termistor (temperatură apă retur Zone2) (Opțiune) *1	
THWB1	TBI.6 7-8	—	Termistor (temperatură apă debit boiler) (Opțiune) *1	PAC-TH012HT-E (5 m)/
THW10	TBI.6 5-6	—	Termistor (temperatură apă rezervor de amestec) (Opțiune) *1	PAC-TH012HTL-E (30 m)

Asigurați-vă că ați amplasat cablurile pentru termistor separate de linia de alimentare și/sau de cablurile OUT1-16.

*1. Lungimea maximă a cablului pentru termistor este de 30 m.

Lungimea pentru termistorii opționali este de 5 m. În cazul în care trebuie să deconectați și să prelungiți cablurile, trebuie să respectați următoarele puncte.

- 1) Conectați cablurile prin lipire.
- 2) Izolați fiecare punct de conectare împotriva prafului și a apei. Lița trebuie procesată cu un terminal izolat (de tip compatibil cu standardul DIN46228-4).

5 Configurare sistem

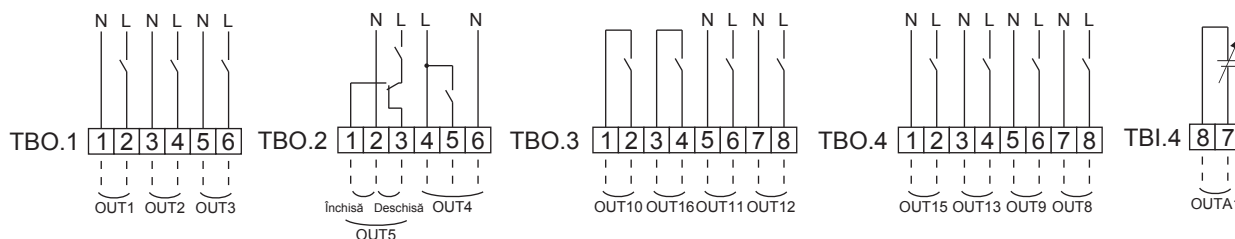
■ Ieșiri

Nume	Bloc terminal	Conector	Element	OPRIT	PORNIT	Semnal/curent maxim	Curent total maxim
OUT1	TBO.1 1-2	CNP1	ieșire 1 pentru pompa de circulare a apei (încălzire/răcire spațiu și ACM)	OPRIT	PORNIT	Maxim 230 V AC 1,0 A (curent impuls maxim 40 A)	4,0 A (a)
OUT2	TBO.1 3-4	—	ieșire 2 pentru pompa de circulare a apei (încălzire/răcire spațiu și Zone1)	OPRIT	PORNIT	Maxim 230 V AC 1,0 A (curent impuls maxim 40 A)	
OUT3	TBO.1 5-6	—	ieșire 3 pentru pompa de circulare a apei (încălzire/răcire spațiu și Zone2) *1	OPRIT	PORNIT	Maxim 230 V AC 1,0 A (curent impuls maxim 40 A)	
OUT14	—	CNP4	ieșire 2b pentru supapa cu 2 căi *2	OPRIT	PORNIT	Maxim 230 V AC 1,0 A (curent impuls maxim 40 A)	
OUT4	TBO.2 4-6	CNV1	ieșire pentru supapa cu 3 căi (pentru supapa cu 2 căi)	Încălzire	ACM	Maxim 230 V AC 0,1 A	3,0 A (b)
	—	CN851	ieșire pentru supapa cu 3 căi				
OUT5	TBO.2 1-2	—	ieșire pentru supapa de amestec *1	Stop	Închisă	Maxim 230 V AC 0,1 A	
	TBO.2 2-3	—		Deschisă			
OUT6	—	CNBH 1-3	ieșire 1 pentru încălzitorul auxiliar	OPRIT	PORNIT	Maxim 230 V AC 0,5 A (releu)	3,0 A (b)
OUT7	—	CNBH 5-7	ieșire 2 pentru încălzitorul auxiliar	OPRIT	PORNIT	Maxim 230 V AC 0,5 A (releu)	
OUT8	TBO.4 7-8	—	ieșire semnal răcire	OPRIT	PORNIT	Maxim 230 V AC 0,5 A	
OUT9	TBO.4 5-6	CNIH	ieșire încălzitor cu imersie	OPRIT	PORNIT	Maxim 230 V AC 0,5 A (releu)	
OUT11	TBO.3 5-6	—	ieșire eroare	Normal	Eroare	Maxim 230 V AC 0,5 A	3,0 A (b)
OUT12	TBO.3 7-8	—	ieșire decongelare	Normal	Decongelare	Maxim 230 V AC 0,5 A	
OUT13	TBO.4 3-4	—	ieșire 2a pentru supapa cu 2 căi *2	OPRIT	PORNIT	Maxim 230 V AC 0,1 A	
OUT15	TBO.4 1-2	—	Semnal PORNIRE comp.	OPRIT	PORNIT	Maxim 230 V AC 0,5 A	
OUT10	TBO.3 1-2	—	ieșire boiler	OPRIT	PORNIT	Contact fără tensiune ·220 - 240 V AC (30 V DC) ·10 mA 5 V DC sau mai mult	—
OUT16	TBO.3 3-4	—	Semnal PORNIRE termică încălzire/răcire	OPRIT	PORNIT	—	—
OUTA1	TBI.4 7-8	—	ieșire analogică	0 - 10 V	—	Maxim 0-10 V DC 5 mA	—

Nu conectați firele la terminalele care sunt indicate ca „—” în câmpul „Terminal block” (Bloc terminal).

*1 Pentru controlul temperaturii pe 2 zone.

*2 Pentru controlul PORNIRII/OPRIRII supapei pe 2 zone.



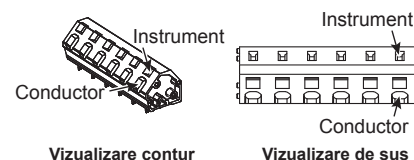
Specificații cablare și piese furnizate local

Element	Nume	Model și specificații
Funcție ieșire externă	Fir ieșiri	Folosiți un fir sau un cablu cu înveliș de vinil. Maxim 30 m Tip de fir: CV, CVS sau echivalent Dimensiune fir: Liță între 0,25 mm ² și 1,5 mm ² Fir masiv: între ø0,57 mm și ø1,2 mm

Notă:

1. Atunci când unitatea cilindru este alimentată de la o unitate de exterior, curentul total maxim pentru (a)+(b) este de 3,0 A.
2. Nu conectați mai multe pompe de circulare a apei direct la fiecare ieșire (OUT1, OUT2 și OUT3). În acest caz, conectați-le prin intermediul unuia sau mai multor relee.
3. Nu conectați pompele de circulare a apei la TBO.1 1-2 și CNP1 în același timp.
4. Conectați un atenuator de supratensiune la OUT10 (TBO.3 1-2) în funcție de sarcina de la fața locului.
5. Lița trebuie procesată cu un terminal izolat (de tip compatibil cu standardul DIN46228-4).
6. Faceți la fel cu firul de intrare al semnalului pentru cablajul OUTA1.

Cum se folosește TBO (de la 1 până la 4)



Conectați-le în oricare dintre modulele prezentate mai sus.

<Figura 5.2.2>

5.3 Cablare pentru controlul temperaturii pe 2 zone

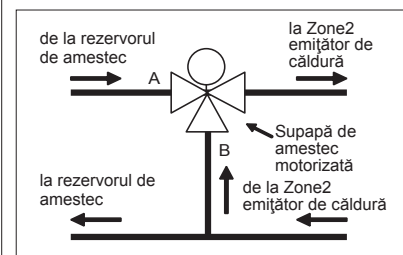
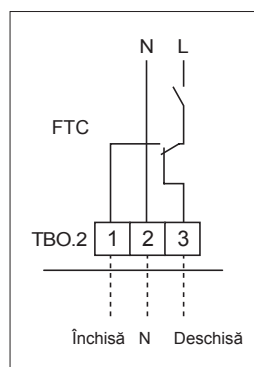
Conectați conducta și piesele furnizate local în conformitate cu diagrama de circuit relevantă prezentată în „Sistem local” din Secțiunea 3 a acestui manual.

<Supapă de amestec>

Conectați linia de semnal de la Portul A liber (port intrare apă caldă) la TBO. 2-3 (deschisă), linia de semnal de la Portul B liber (port intrare apă rece) la TBO. 2-1 (închisă), iar firul terminalului neutru la TBO. 2-2 (N).

<Termistor>

- Nu instalați termistori pe rezervorul de amestec.
- Instalați termistorul pentru temperatura debitului din Zone2 (THW8) în apropierea supapei de amestec.
- Lungimea maximă a cablului pentru termistor este de 30 m.
- Lungimea pentru termistorii opționali este de 5 m. În cazul în care trebuie deconectați și să prelungiți cablurile, trebuie să respectați următoarele puncte.
 - 1) Conectați cablurile prin lipire.
 - 2) Izolați fiecare punct de conectare împotriva prafului și a apei.



5 Configurare sistem

5.4 Funcționarea exclusivă a unității de interior (în timpul lucrărilor de instalare)

În cazul în care funcționarea ACM sau a încălzirii este necesară înainte de conectarea unității de exterior, adică în timpul lucrărilor de instalare, puteți utiliza un încălzitor electric în unitatea de interior (*1).

*1 Doar un model cu încălzitor electric.

1. Pentru pornirea funcționării

- Verificați dacă alimentarea unității de interior este OPRITĂ și PORNITĂ comutatorul DIP 4-4 și 4-5.
- Porniți alimentarea unității de interior.

2. Pentru a opri funcționarea*2

- OPRITĂ alimentarea unității de interior.
- OPRITĂ comutatorul DIP 4-4 și 4-5.

*2 Atunci când funcționarea exclusivă a unității de interior este finalizată, asigurați-vă că ați verificat setările după conectarea unității de exterior.

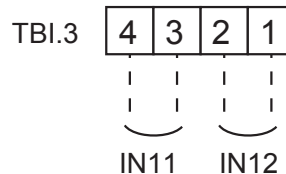
Notă:

Folosirea prelungită a acestui mod de funcționare poate afecta durata de utilizare a încălzitorului electric.

5.5 Grilă inteligentă pregătită

În timpul funcționării ACM sau a încălzirii, puteți folosi comenzile din tabelul de mai jos.

IN11	IN12	Semnificație
OPRIT (deschis)	OPRIT (deschis)	Operare normală
PORNIT (scurt)	OPRIT (deschis)	Recomandări pentru pornire
OPRIT (deschis)	PORNIT (scurt)	Comandă oprire
PORNIT (scurt)	PORNIT (scurt)	Comandă pornire



5.6 Utilizarea cardului de memorie SD

Unitatea cilindru este dotată cu o interfață cu card de memorie SD în FTC.

Utilizarea unui card de memorie SD poate simplifica setările telecomenzii principale și puteți memora jurnalele de funcționare. *1

*1 Pentru a edita setările telecomenzii principale sau pentru a verifica datele de funcționare, este necesar un instrument de service Ecodan (pentru PC).

<Precauții privind manipularea>

- (1) Utilizați un card de memorie SD care respectă standardele SD. Pe cardul de memorie SD trebuie să existe un logo asemănător cu cele afișate în partea dreaptă.
- (2) Cardurile de memorie SD care respectă standardele SD includ carduri de memorie SD, SDHC, mini SD, micro SD și micro SDHC. Capacitățile pot ajunge până la 32 GB. Alegeți-le pe cele cu o temperatură maximă permisă de 55°C.
- (3) Atunci când cadrul de memorie SD este un card mini SD, mini SDHC, micro SD sau micro SDHC, folosiți un adaptor convertor pentru carduri de memorie SD.
- (4) Înainte de scrierea unui card de memorie SD, deblocați comutatorul împotriva scrierii.



- (5) Înainte de introducerea sau îndepărtarea unui card de memorie SD, asigurați-vă că ați oprit sistemul. În cazul în care un card de memorie SD este introdus sau îndepărtat cu sistemul pornit, datele memorate ar putea fi corupte sau cardul de memorie SD ar putea fi deteriorat.

*Un card de memorie SD este încă utilizat pentru o scurtă perioadă de timp după oprirea sistemului. Înainte de introducerea sau îndepărtarea, așteptați până când lămpile LED de pe panoul de control FTC se sting.

- (6) Operațiunile de citire și scriere au fost verificate cu următoarele carduri de memorie SD, însă aceste operațiuni nu sunt garantate întotdeauna, deoarece specificații acestor carduri de memorie SD pot fi modificate.

- (7) Trebuie să urmați instrucțiunile și cerințele producătorului cardului de memorie SD.
- (8) Formatați cadrul de memorie SD în cazul în care acesta nu poate fi citit la pasul (6). Astfel cardul ar putea deveni utilizabil. Descărcați o aplicație de formatare pentru carduri SD de pe următorul site. Pagina principală SD Association: <https://www.sdcard.org/home/>
- (9) FTC suportă sistemele de fișiere FAT, dar nu și sistemele de fișiere NTFS.
- (10) Compania Mitsubishi Electric nu este responsabilă pentru daunele, totale sau parțiale, inclusiv imposibilitatea de scriere a unui card de memorie SD și pentru coruperea și pierderea datelor salvate, sau alte lucruri asemănătoare. Realizați copii de rezervă ale datelor salvate, după caz.
- (11) Nu atingeți piesele electronice de pe panoul de control FTC atunci când introduceți sau îndepărtați un card de memorie SD, deoarece acest lucru poate deteriora panoul de control.

Logo-uri		
Capacități		
Între 2 GB și 32 GB *2		
Clase de viteză SD		
Toate		

- Logo-ul SD este o marcă comercială înregistrată a SD-3C, LLC.
- Logo-ul mini SD este o marcă comercială înregistrată a SD-3C, LLC.
- Logo-ul micro SD este o marcă comercială înregistrată a SD-3C, LLC.

*2 Un card de memorie SD de 2 GB poate stoca până la 30 de zile de jurnale de funcționare.

Producător	Model	Testat în
Verbatim	#44015	Mar. 2012
SanDisk	SDSDB-002G-B35	Oct. 2011
Panasonic	RP-SDP04GE1K	Oct. 2011
Arvato	2GB PS8032 TSB 24nm MLC	Iun. 2012
Arvato	2GB PS8035 TSB A19nm MLC	Iul. 2014
SanDisk	SDSDUN-008G-G46	Oct. 2016
Verbatim	#43961	Oct. 2016
Verbatim	#44018	Oct. 2016
VANTASTEK	VSDHC08	Sep. 2017

Înainte de utilizarea unui card de memorie SD nou (inclusiv cardul furnizat împreună cu unitatea), verificați întotdeauna citirea și scrierea în siguranță a cardului SD de către controlerul FTC.

<Mod de verificare a operațiunilor de citire și scriere>

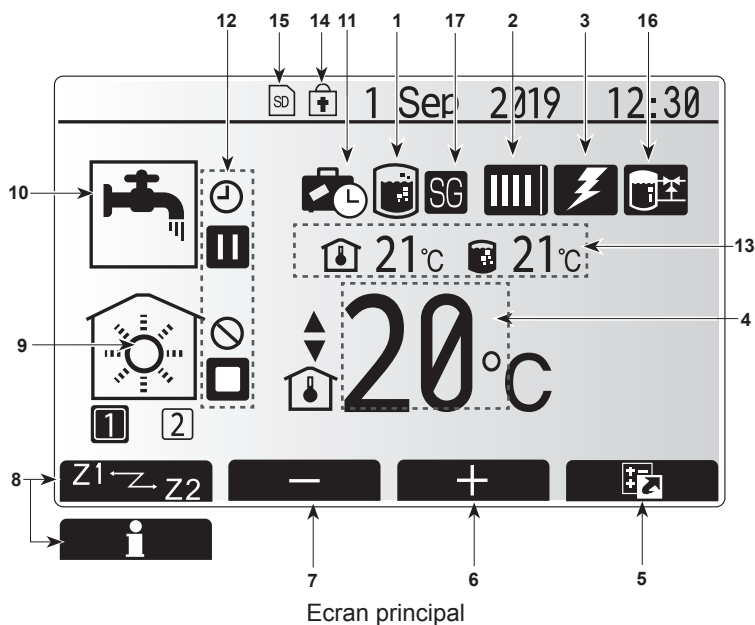
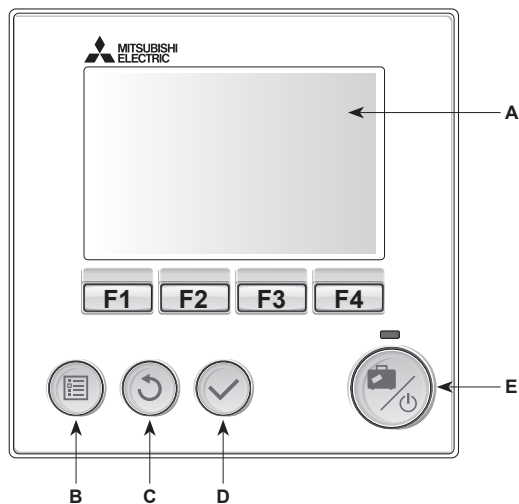
- a) Verificați cablarea corectă a sursei de alimentare la sistem. Pentru mai multe detalii, consultați secțiunea 4.5.
(Nu porniți sistemul în acest moment.)
- b) Introduceți un card de memorie SD.
- c) Porniți sistemul.
- d) Lampa LED4 se va aprinde dacă operațiunile de citire și scriere sunt realizate cu succes. În cazul în care lampa LED4 continuă să clipească sau nu se aprinde, cardul de memorie SD nu poate fi citit sau scris de către controlerul FTC.

5 Configurare sistem

5.7 Telecomandă principală

Pentru a modifica setările sistemului dvs. de încălzire/răcire, utilizați telecomanda principală amplasată pe panoul frontal al unității cilindru sau hidrobox. Mai jos este un ghid pentru a vedea setările principale. În cazul în care solicitați mai multe informații, vă rugăm să contactați instalatorul sau distribuitorul local Mitsubishi Electric.

Modul răcire este disponibil numai pentru seria ERS. Totuși, Modul răcire nu este disponibil când unitatea interioară este conectată la PUHZ-FRP.



<Părțile telecomenzii principale>

Literă	Nume	Funcție
A	Ecran	Ecranul în care sunt afișate toate informațiile
B	Meniu	Acces la setările sistemului pentru configurarea inițială și modificări.
C	Înapoi	Întoarcere la meniul anterior.
D	Confirmă	Folosit pentru selectare sau salvare. (Tasta Întră)
E	Alimentare/ Vacanță	Dacă sistemul este oprit, apăsând o dată, sistemul va PORNI. Dacă apăsați din nou când sistemul este pornit, se va activa modul vacanță. Apăsarea butonului timp de 3 secunde va opri sistemul. (*1)
F1-4	Taste funcționale	Folosit pentru parcurgerea meniului și ajustarea setărilor. Funcția este determinată de ecranul de meniu vizibil pe ecranul A.

*1

Când sistemul este oprit sau alimentarea cu energie electrică este deconectată, funcțiile de protecție ale unității cilindru (de exemplu funcția anti-îngheț) NU vor funcționa. Vă rugăm să aveți grijă că, fără aceste funcții de siguranță, unitatea cilindru poate deveni expusă deteriorării.

<Pictograme ecran principal>

	Pictogramă	Descriere
1	Prevenire Legionella	Când această pictogramă este afișată, este activat modul de prevenire a Legionella.
2	Pompă de căldură	„Pompa de căldură” funcționează.
		Decongelare
		Încălzire de urgență
		„Modul silențios” este activat.
3	Încălzire electrică	Când se afișează această pictogramă, se utilizează „Încălzitoare electrice” (booster sau încălzitor de imersie).
4	Temperatură țintă	Temperatură țintă debit
		Temperatură țintă cameră
		Curbă de compensare
5	OPȚIUNE	Apăsând butonul funcțional de sub această pictogramă va fi afișat ecranul cu opțiuni.
6	+	Crește temperatura dorită.
7	-	Scade temperatura dorită.
8	Z1 Z2	Apăsând butonul funcțional de sub această pictogramă comută între Zonele 1 și 2.
	Informații	Apăsând butonul funcțional de sub această pictogramă se afișează ecranul cu informații.
9	Mod încălzire/ răcire spațiu	Mod încălzire Zona1 sau Zona2
		Mod răcire Zona1 sau Zona2
10	Mod ACM	Mod normal sau ECO
11	Mod vacanță	Când această pictogramă este afișată, este activat „Modul vacanță”.
12		Temporizator
		Interzis
		Control server
		Așteptare
		Așteptare (*2)
		Stop
13	Temperatură curentă	Temperatură curentă cameră
		Temperatura curentă a apei din rezervorul ACM
14		Butonul Meniu este blocat sau comutarea modurilor de funcționare între operațiunile ACM și încălzire este dezactivată în ecranul Opțiuni.(*3)
15		Cardul de memorie SD este introdus. Funcționare normală.
		Cardul de memorie SD este introdus. Funcționare anormală.
16	Control rezervor tampon	Când este afișată această pictogramă, este activat „Buffer tank control” (Controlul rezervorului tampon).
17	Griă inteligentă pregătită	Când este afișată această pictogramă, „Smart grid ready” (Griă inteligentă pregătită) este activă.

*2 Această unitate este în așteptare, în timp ce alte unități interioare funcționează în funcție de prioritate.

*3 Pentru a bloca sau a debloca meniul, apăsați simultan tastele ÎNAPOI și CONFIRMĂ pentru 3 secunde.

5 Configurare sistem

■ [Initial setting wizard] (Asistent setări inițiale)

Atunci când telecomanda principală este pornită pentru prima dată, ecranul intră automat în ecranul pentru setarea Limbii, ecranul de setare a Datei/orei și Meniul cu setările principale, în ordine. Introduceți numărul dorit prin intermediul tastelor funcționale și apăsați [CONFIRM] (Confirmă).

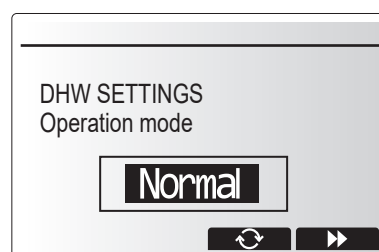
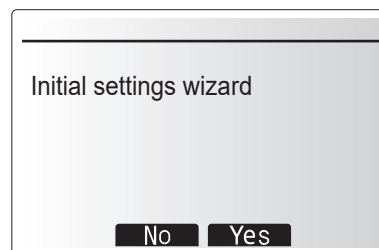
Notă:

<HEATER CAPACITY RESTRICTION> (Restricție capacitate încălzitor)

Această setare restricționează capacitatea încălzitorului auxiliar. NU puteți modifica setarea după pornire.

În cazul în care nu aveți nevoie de setări speciale (cum ar fi reglementări de construcții) în țara dvs., omiteți această setare (selecționați „No” (Nu)).

- [Hot water (DHW/Legionella)] (Apă caldă (ACM/Legionella))
- [Heating]/[Cooling] (Încălzire)/(Răcire)
- [Operation (ON/Prohibited/Timer)] (Funcționare (PORNIT/Interzis/Temporizator))
- [Pump speed] (Viteză pompă)
- [Heat pump flow rate range] (Interval debit pompă de căldură)
- [Mixing valve control] (Control supapă de amestec)
- [HEATER CAPACITY RESTRICTION] (Restricție capacitate încălzitor)



■ Meniu setări principale

Meniul de setări principale poate fi accesat prin apăsarea butonului [MENU] (Meniu). Pentru reducerea riscului ca utilizatorii finali fără experiență să modifice involuntar setările, există două niveluri de accesare a setărilor principale, iar meniul secțiunii de service este protejat cu o parolă.

Nivel utilizator - apăsare scurtă

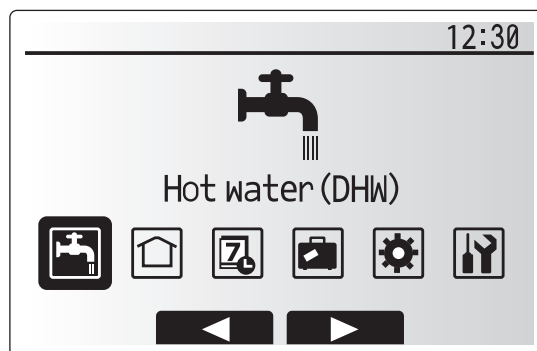
În cazul în care butonul [MENU] (Meniu) este apăsat o singură dată pentru o scurtă perioadă de timp, vor fi afișate setările principale, însă fără funcția de editare. Acest lucru îi va permite utilizatorului să vizualizeze setările actuale dar **NU** și să modifice parametrii.

Nivel instalator - apăsare lungă

În cazul în care butonul [MENU] (Meniu) este apăsat timp de 3 secunde, vor fi afișate setările principale, cu toate funcțiile disponibile. Culoarea butoanelor ◀▶ este inversată, conform figurii din partea dreaptă. <Fig. 5.7.1>

Următoarele elemente pot fi vizualizate și/sau editate (în funcție de nivelul de acces).

- [Domestic Hot water (DHW)] (Apă caldă menajeră (ACM))
- [Heating/Cooling] (Încălzire/Răcire)
- [Schedule timer] (Calendar temporizator)
- [Holiday mode] (Mod vacanță)
- [Initial settings] (Setări inițiale)
- [Service (Password protected)] (Service (Protejat cu parolă))



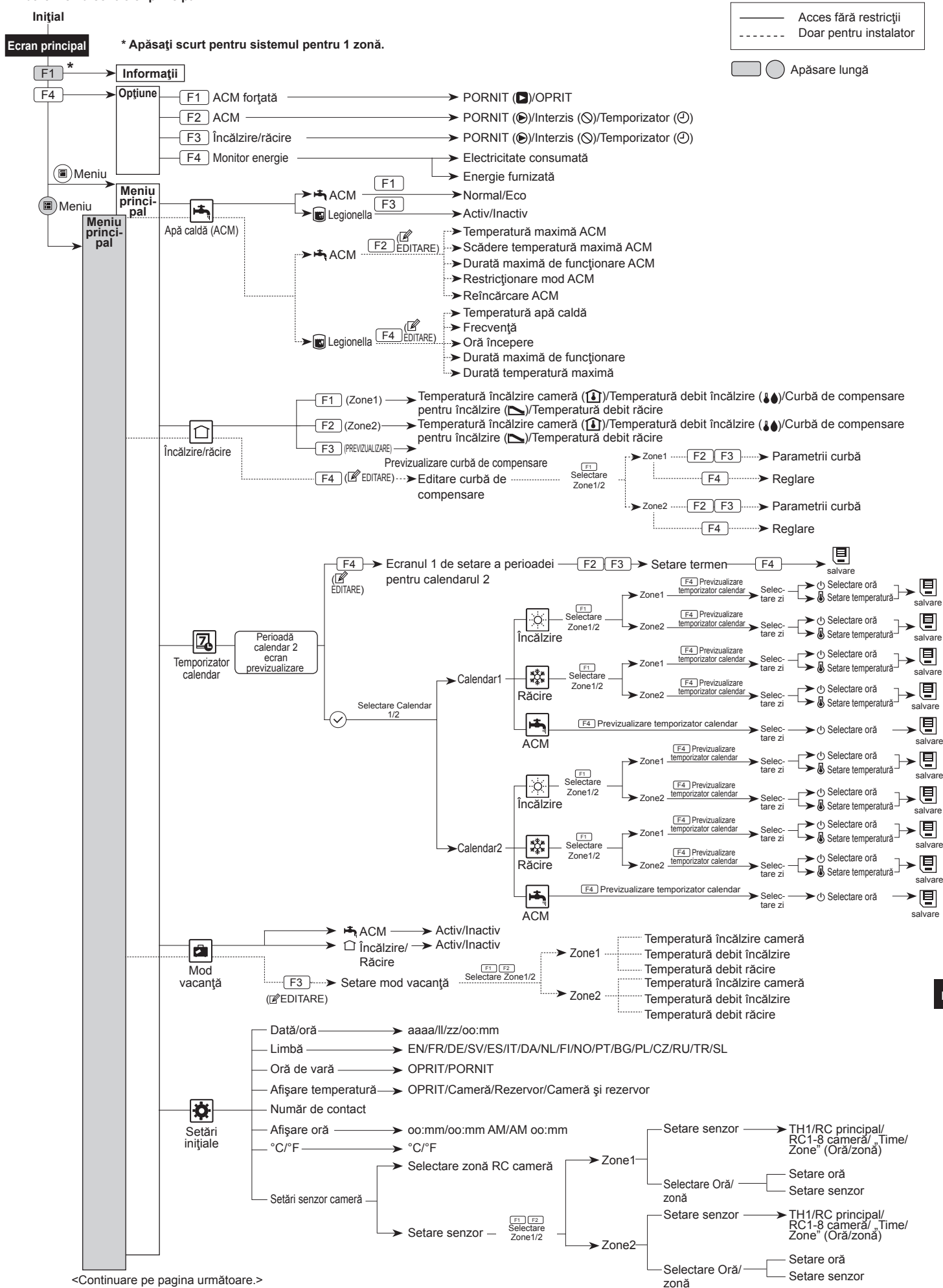
Meniu principal



<Fig 5.7.1>

5 Configurare sistem

<Arbore meniu controler principal>

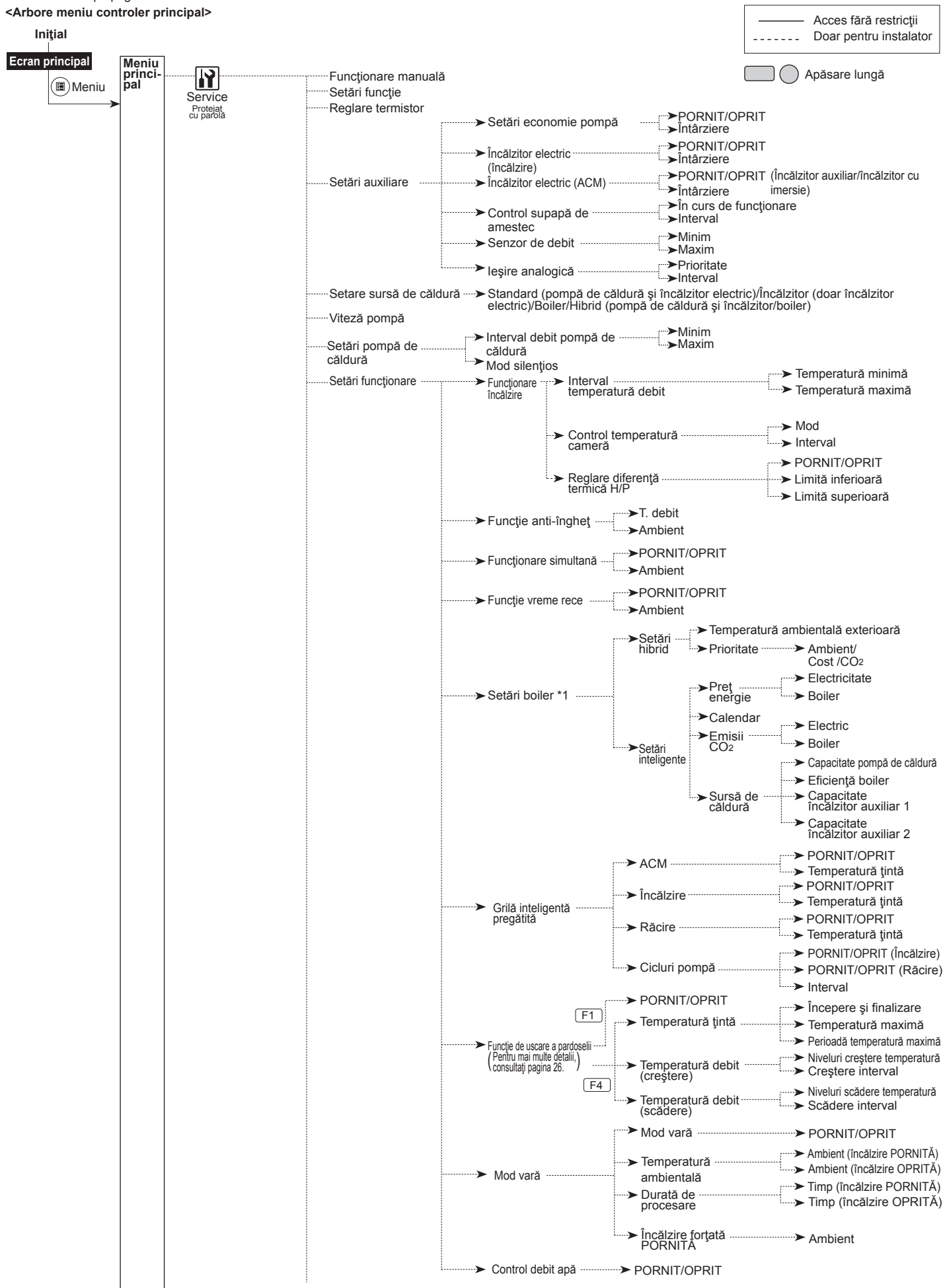


<Continuare pe pagina următoare.>

5 Configurare sistem

<Continuare de pe pagina anterioară.>

<Arbore meniu controler principal>

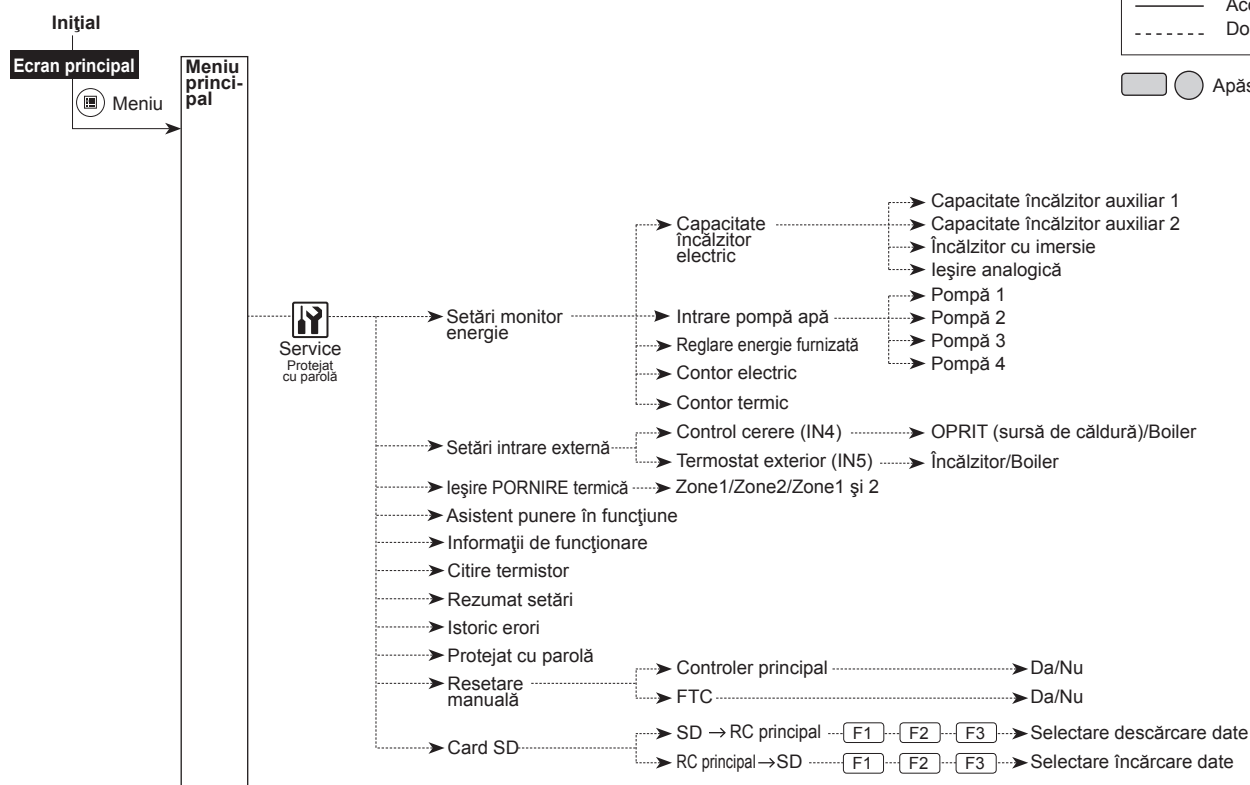


*1 Pentru mai multe detalii, consultați manualul de instalare pentru PAC-TH012HT-(L)E.

5 Configurare sistem

<Continuare de pe pagina anterioară.>

<Arbore meniu controler principal>



Apă caldă menajeră (ACM)/Prevenire legionella

Meniurile pentru apă caldă menajeră și pentru a preveni legionella controlează funcționarea încălzirii rezervorului ACM.

<Setări mod ACM>

1. Selectați pictograma pentru apă caldă și apăsați [CONFIRM] (Confirmă).
2. Folosiți butonul F1 pentru a comuta între modulele de încălzire Normal și ECO.
3. Pentru a edita modul, țineți apăsat butonul [MENU] (Meniu) timp de 3 secunde, apoi selectați „hot water” (apă caldă).
4. Apăsați tasta F2 pentru afișarea meniului HOTWATER (DHW) SETTING (Setare apă caldă (ACM)).
5. Folosiți tastele F2 și F3 pentru a derula prin meniu, selectând fiecare componentă pe rând și apăsați butonul [CONFIRM] (Confirmă). Consultați tabelul de mai jos pentru descrierea fiecărei setări.
6. Introduceți numărul dorit prin intermediul tastelor funcționale și apăsați [CONFIRM] (Confirmă).



Subtitlu meniu	Funcție	Interval	Unitate	Valoare implicită
Temperatură maximă ACM	Temperatură dorită pentru apa caldă stocată	40 - 60	°C	50
Scădere temperatură maximă ACM	Diferența de temperatură între temperatura maximă ACM și temperatura la care repornește modul ACM	5 - 30 *	°C	10
Durată maximă de funcționare ACM	Durată maximă permisă pentru încălzirea apei stocate de către modul ACM	30 - 120	min	60
Restricționare mod ACM	Durata de timp ulterioară modului ACM, în care încălzirea spațiului este prioritară temporar modului ACM, pentru prevenirea încălzirii în continuare a apei stocate (Doar atunci când durata maximă de funcționare a ACM a trecut.)	30 - 120	min	30

* Atunci când temperatura maximă ACM este setată peste 55°C, temperatura la care modul ACM repornește trebuie să fie mai mică de 50°C pentru protejarea dispozitivului.

<Mod eco>

Modul ACM poate rula în modul „Normal” sau „Eco”. Modul normal va încălzi apa din rezervorul ACM mai repede, folosind întreaga capacitate a pompei de căldură. Modul eco încălzește apa din rezervorul ACM mai lent, însă energia utilizată este redusă. Acest lucru se datorează faptului că funcționarea pompei de căldură este restricționată prin semnale de la FTC, în funcție de temperatura măsurată a rezervorului ACM.

Notă: Energia reală economisită în modul Eco variază în funcție de temperatura ambientală exterioară.

<[DHW recharge]> (Reîncărcare ACM)

Selectați cantitatea pentru ACM. În cazul în care aveți nevoie de multă apă caldă, selectați [LARGE] (Mare), dar crește costurile de funcționare.

Reveniți la meniul ACM/Prevenire legionella.

5 Configurare sistem

Setări Mod prevenire legionella (Mod LP)

- Folosiți butonul F3 pentru a alege [YES/NO] (Da/Nu) pentru activarea modului legionella.
- Pentru a edita funcția legionella, țineți apăsat butonul [MENU] (Meniu) timp de 3 secunde, selectați „hot water” (apă caldă), apoi apăsați tasta F4.
- Folosiți tastele F1 și F2 pentru a derula prin meniu, selectând fiecare subtitlu pe rând și apăsați butonul [CONFIRM] (Confirmă). Consultați tabelul de mai jos pentru descrierea fiecărei setări.
- Introduceți numărul dorit prin intermediul tastelor funcționale și apăsați [CONFIRM] (Confirmă).

În timpul Modulului de prevenire Legionella, temperatura apei stocate crește la peste 60°C pentru inhibarea creșterii bacteriilor legionella. Se recomandă rularea acestui mod la intervale regulate. Verificați reglementările locale pentru frecvența de utilizare recomandată.

Notă: Atunci când apar probleme cu hidrobosul, este posibil ca modul LP să nu funcționeze normal.

Subtitlu meniu	Funcție	Interval	Unitate	Valoare implicită
Temperatură apă caldă	Temperatură dorită pentru apa caldă stocată	60–70	°C	65
Frecvență	Perioadă între încălzirile rezervorului ACM în modul LP	1–30	zile	15
Oră începere	Ora la care va începe modul LP	0:00–23:00	-	03:00
Durată maximă de funcționare	Durata maximă permisă pentru încălzirea rezervorului ACM în modul LP	1–5	ore	3
Durată temperatură maximă	Durata menținerii temperaturii dorite a apei în modul LP	1–120	min	30

Rețineți că modul LĂ folosește asistența încălzitoarelor electrice pentru suplimentarea energiei pompei de căldură. Apa încălzită pentru perioade lungi de timp nu este eficientă și crește costurile de funcționare. Instalatorul trebuie să ia în considerare necesitatea tratamentului de prevenire pentru legionella și să nu irosească energie prin încălzirea apei stocate pentru perioade lungi de timp. Utilizatorul final trebuie să înțeleagă importanța acestei funcții.

RESPECTAȚI ÎNTOTDEAUNA INSTRUCȚIUNILE LOCALE ȘI NAȚIONALE PENTRU ȚARA DVS: PRIVIND PREVENIREA INFECTĂRII CU LEGIONELLA.

[Initial Settings] (Setări inițiale)

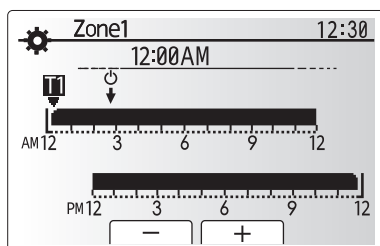
Din meniul [Initial settings] (Setări inițiale), instalatorul poate seta următoarele.

- [Date/Time] (Data/ora) *Asigurați-vă că setarea este realizată pentru ora locală standard.
- [Language] (Limbă)
- [Summer time] (Oră de vară)
- [Temp. display] (Afișare temperatură)
- [Contact number] (Număr de contact)
- [Time display] (Afișare oră)
- [°C/°F]
- [Room sensor settings] (Setări senzor de cameră)

Urmați procedura descrisă în Funcționarea generală pentru configurarea funcționării.

<[Room sensor settings]> (Setări senzor de cameră)

Din setările senzorului de cameră este important să alegeți senzorul de cameră corect, în funcție de modul de încălzire în care funcționează sistemul.



Ecran setare oră/zonă calendar

[Service] (Service)

Meniul de service oferă funcții care pot fi utilizate de către instalator sau inginerul de service. Setările din acest meniu NU trebuie să fie modificate de către proprietarul locuinței. Prin urmare, protecția cu parolă este necesară pentru prevenirea accesului neautorizat la setările de service.

Parola implicită din fabrică este „0000”.

Urmați procedura descrisă în Funcționarea generală pentru configurarea funcționării.

Mai multe funcții nu vor putea fi setate în timp ce unitatea de interior funcționează. Instalatorul trebuie să oprească unitatea înainte de a încerca să seteze aceste funcții. În cazul în care instalatorul încearcă să modifice setările în timp ce unitatea funcționează, telecomanda va afișa un memento prin care instalatorul este avertizat să oprească funcționarea înainte de a continua. Prin selectarea opțiunii „Yes” (Da), unitatea se va opri.

<[Manual operation]> (Funcționare manuală)

În timpul umplerii sistemului, pompa de circulație din circuitul primar și supapa cu 3 căi pot fi suprascrise manual prin intermediul modului de funcționare manual.

Atunci când funcționarea manuală este selectată, pe ecran va apărea o pictogramă mică cu un temporizator. Atunci când este selectată, această funcție va rămâne activă timp de aproximativ 2 ore. Astfel este prevenită suprascrisirea permanentă accidentală a FTC.

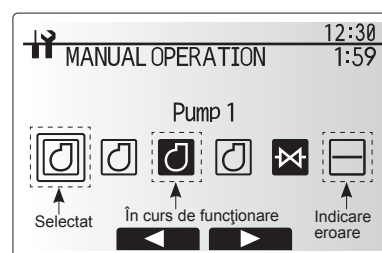
► Exemplu

Prin apăsarea butonului F3 veți porni modul de funcționare manual pentru supapa principală cu 3 căi. Atunci când umplerea rezervorului ACM este completă, instalatorul trebuie să acceseze din nou acest meniu și să apese butonul F3 pentru dezactivarea funcționării manuale a sistemului. În caz contrar, după 2 ore, modul de funcționare manual nu va mai fi activ, iar FTC poate relua controlul unității cilindru.

Subtitlu meniu	Descriere																				
Selectare zonă RC cameră	Atunci când controlul temperaturii pe 2 zone este activ și telecomenzile wireless sunt disponibile, din ecranul de selectare a zonei RC pentru cameră, selectați nr. zonei pentru care doriți să alocați fiecare telecomandă principală.																				
Setare senzor	Din ecranul pentru setarea senzorului, selectați un senzor de cameră pentru monitorizarea temperaturii camerei din Zone1 și Zone2 separat. <table border="1" style="width: 100%; margin-top: 10px;"> <thead> <tr> <th rowspan="2">Opțiune de control (Manualul de pe website)</th> <th colspan="2">Senzor de cameră cu setările inițiale corespunzătoare</th> </tr> <tr> <th>Zone1</th> <th>Zone2</th> </tr> </thead> <tbody> <tr> <td>A</td> <td>RC cameră 1-8 (câte unul pentru Zone1 și Zone2)</td> <td>*1</td> </tr> <tr> <td>B</td> <td>TH1</td> <td>*1</td> </tr> <tr> <td>C</td> <td>Telecomandă principală</td> <td>*1</td> </tr> <tr> <td>D</td> <td>*1</td> <td>*1</td> </tr> <tr> <td>Atunci când sunt folosiți senzori de cameră diferiți în conformitate cu calendarul</td> <td>Oră/Zone*2</td> <td>*1</td> </tr> </tbody> </table>	Opțiune de control (Manualul de pe website)	Senzor de cameră cu setările inițiale corespunzătoare		Zone1	Zone2	A	RC cameră 1-8 (câte unul pentru Zone1 și Zone2)	*1	B	TH1	*1	C	Telecomandă principală	*1	D	*1	*1	Atunci când sunt folosiți senzori de cameră diferiți în conformitate cu calendarul	Oră/Zone*2	*1
Opțiune de control (Manualul de pe website)	Senzor de cameră cu setările inițiale corespunzătoare																				
	Zone1	Zone2																			
A	RC cameră 1-8 (câte unul pentru Zone1 și Zone2)	*1																			
B	TH1	*1																			
C	Telecomandă principală	*1																			
D	*1	*1																			
Atunci când sunt folosiți senzori de cameră diferiți în conformitate cu calendarul	Oră/Zone*2	*1																			

*1. Nu este specificat (în cazul utilizării unui termostat de cameră furnizat la fața locului) RC cameră 1-8 (câte unul pentru Zone1 și Zone2) (în cazul în care o telecomandă wireless este utilizată ca termostat de cameră)

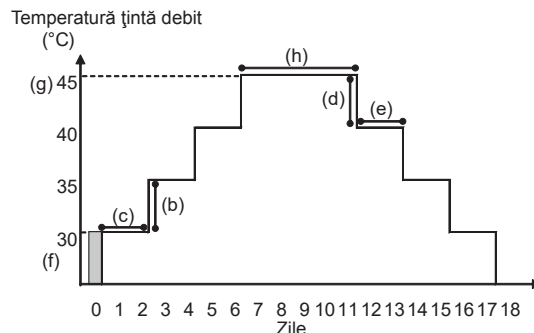
*2. Din ecranul de setare a senzorului, selectați Time/Zone (Oră/zonă) pentru a face posibilă utilizarea unor senzori de cameră diferiți în conformitate cu calendarul setat din meniul Select Time/ Zone (Selectare oră/zonă). Senzorii de cameră pot fi schimbați de până la 4 ori într-un interval de 24 de ore.



Ecran meniu funcționare manuală

5 Configurare sistem

Setarea funcționării manuale și a sursei de căldură nu poate fi selectată în cazul în care sistemul funcționează. Va fi afișată o solicitare de oprire a sistemului de către instalator înainte de activarea acestor moduri. Sistemul se oprește automat la 2 ore după ultima funcționare.



- Această funcție nu este disponibilă atunci când este conectată o unitate de exterior PUHZ-FRP.
- Deconectați cablurile de la intrările externe pentru termostatul de cameră, controlul cererii și termostatul de exterior, deoarece în caz contrar temperatura țintă a debitului nu va putea fi menținută.

<[Floor dry up function]> (Funcția de uscare a pardoselii)

Funcția de uscare a pardoselii modifică automat temperatura țintă pentru apa caldă pe niveluri, pentru uscarea treptată a betonului atunci când este instalat acest tip de încălzire în pardoseală.

La finalizarea operațiunii, sistemul oprește toate celelalte operațiuni, cu excepția celei Anti-îngheț.

Pentru funcția de uscare a pardoselii, temperatura țintă a debitului din Zone1 este identică cu cea pentru Zone2.

Funcții	Simbol	Descriere	Opțiune/Interval	Unitate	Implicit
Funcție de uscare a pardoselii	a	Setați funcția pe PORNIT și porniți sistemul prin intermediul telecomenzii principale, apoi va începe funcționarea încălzirii pentru uscare.	Pornit/Oprit	—	Oprit
Temperatură debit (creștere)	b	Setează nivelul de creștere a temperaturii țintă a debitului.	+1 - +10	°C	+5
	c	Setează perioada în care este menținută aceeași temperatură țintă a debitului.	1 - 7	zile	2
Temperatură debit (scădere)	d	Setează nivelul de scădere a temperaturii țintă a debitului.	-1 - -10	°C	-5
	e	Setează perioada în care este menținută aceeași temperatură țintă a debitului.	1 - 7	zile	2
Temperatură țintă	f	Setează temperatura țintă a debitului la începutul și la finalizarea funcționării.	20 - 60	°C	30
	g	Setează temperatura țintă maximă a debitului.	20 - 60	°C	45
	h	Setează perioada în care este menținută aceeași temperatură țintă maximă a debitului.	1 - 20	zile	5

<[Password protection]> (Protejat cu parolă)

Protecția cu parolă este disponibilă pentru prevenirea accesului neautorizat la meniul de service a utilizatorilor fără experiență.

Resetarea parolei

În cazul în care uitați parola introdusă sau lucrați la o unitate instalată de altă persoană, puteți reseta parola la valoarea implicită din fabrică, și anume **0000**.

1. Din meniul cu setările principale, derulați printre funcții până când este selectat „Service Menu” (Meniu service).
2. Apăsați [CONFIRM] (Confirmă).
3. Vi se va solicita să introduceți o parolă.
4. Țineți apăsată butoanele F3 și F4 timp de 3 secunde
5. Veți fi întrebat dacă doriți să continuați și să resetați parola la valoarea implicită.
6. Pentru resetare apăsați butonul F3.
7. Parola va fi resetată la valoarea **0000**.

<[Manual reset]> (Resetare manuală)

În cazul în care doriți să reveniți la setările din fabrică în orice moment, trebuie să folosiți funcția de resetare manuală. Rețineți că astfel veți reseta TOATE funcțiile la setările implicite din fabrică.



Ecraan introducere parolă



Ecraan verificare parolă

6 Punere în funcțiune

■ Exerciții înainte de punerea în funcțiune - circuit potabil/ACM

Procedura inițială de umplere:

Asigurați-vă că toate îmbinările și fittingurile sunt fixe și sigure.

Deschideți cel mai îndepărtat robinet/evacuare ACM.

Deschideți ușor/treptat sursa principală de alimentare cu apă pentru a începe umplerea unității și conductelor ACM.

Lăsați robinetul cel mai îndepărtat deschis pentru evacuarea/purjarea aerului rămas în instalație.

Închideți robinetul/evacuarea pentru menținerea sistemului încărcat complet.

Notă: Atunci când este montat un încălzitor cu imersie, NU porniți alimentarea încălzitorului până când rezervorul ACM nu este plin cu apă. De asemenea, NU porniți alimentarea încălzitoarelor cu imersie în care în rezervorul ACM au rămas substanțe chimice de sterilizare, deoarece acest lucru va cauza defectarea prematură a încălzitorului.

Procedura inițială de spălare:

Porniți alimentarea sistemului de încălzire a unității cilindru până la o temperatură de aproximativ 30 - 40°C.

Spălați/scurgeți apa pentru a îndepărta rezidurile/impuritățile rezultate în urma lucrărilor de instalare. Folosiți robinetul de scurgere al unității cilindru pentru a evacua în siguranță apa caldă în scurgere prin intermediul unui furtun potrivit.

La finalizare, închideți robinetul de scurgere, reumpleți sistemul și reluați punerea în funcțiune a sistemului.

7 Service și întreținere

Coduri de eroare

Cod	Eroare	Acțiune
L3	Protecție supraîncălzire temperatură de circulare a apei	Debitul poate fi redus. Verificați: • Scurgeri de apă • Blocarea filtrului • Funcționarea pompei de circulare a apei (Codul de eroare poate fi afișat în timpul umplerii circuitului primar, la umplerea completă și la resetarea codului de eroare.)
L4	Protecție supraîncălzire temperatură apă rezervor ACM	Verificați încălzitorul cu imersie și conectorul acestuia.
L5	Defecțiuni termistor de temperatură pentru unitatea de interior (THW1, THW2, THW5A, THW5B, THW6, THW7, THW8, THW9)	Verificați rezistența termistorului.
L6	Protecție anti-îngheț pentru circularea apei	Consultați acțiunea pentru L3.
L8	Eroare funcționare încălzire	Verificați și remontați termistorii care au putut fi demontați.
L9	Debit scăzut pentru circuitul primar, detectat de către senzorul de debit sau comutatorul de debit (comutatoare de debit 1, 2, 3)	Consultați acțiunea pentru L3. În cazul în care senzorul de debit sau comutatorul de debit nu funcționează, schimbați-le. Atenție: Supapele pompei pot fi fierbinți, deci trebuie să aveți grijă.
LA	Defecțiuni senzor de presiune	Verificați cablul senzorului de presiune de daune sau conexiuni slabe.
LB	Protecție presiune ridicată	• Debitul circuitului de încălzire poate fi redus. Verificați circuitul de apă. • Schimbătorul de căldură cu placă poate fi înfundat. Verificați schimbătorul de căldură cu placă. • Defecțiuni unitate de exterior. Consultați manualul de service al unității de exterior.
LC	Protecție supraîncălzire temperatură de circulare a apei din boiler	Verificați dacă temperatura setată a boilerului pentru încălzire depășește restricțiile. (Consultați manualul pentru termistori „PAC-TH012HT-E”) Debitul circuitului de încălzire de la boiler poate fi redus. Verificați • scurgeri de apă, • blocarea filtrului • funcționarea pompei de circulare a apei.
LD	Defecțiuni termistor temperatură boiler (THWB1)	Verificați rezistența termistorului.
LE	Eroare funcționare boiler	Consultați acțiunea pentru L8. Verificați starea boilerului.
LF	Defecțiuni senzor de debit	Verificați cablul senzorului de debit de daune sau conexiuni slabe.
LH	Protecție anti-îngheț pentru circularea apei din boiler	Debitul circuitului de încălzire de la boiler poate fi redus. Verificați • scurgeri de apă • blocarea filtrului • funcționarea pompei de circulare a apei.
LJ	Eroare funcționare ACM (tip de placă externă HEX)	• Verificați deconectarea termistorului de temperatură inferioară a apei din rezervorul ACM (THW5B). • Debitul circuitului sanitar poate fi redus. • Verificați funcționarea pompei de circulare a apei. (primar/sanitar)
LL	Erori de setare a comutatoarelor DIP de pe panoul de control FTC	Pentru funcționarea boilerului, comutatorul DIP SW1-1 trebuie să fie setat pe PORNIT (cu boilerul) și comutatorul DIP SW2-6 trebuie să fie setat pe PORNIT (cu rezervorul de amestec). Pentru controlul temperaturii pe 2 zone, comutatorul DIP SW2-7 trebuie să fie setat pe PORNIT (2 zone) și comutatorul DIP SW2-6 trebuie să fie setat pe PORNIT (cu rezervorul de amestec).
LP	Interval depășit pentru debitul apei din unitatea cu pompă de încălzire exterioară	Verificați instalarea în Tabelul 4.3.1 Verificați setările telecomenzii (meniu Service/interval debit pompă de căldură) Consultați acțiunea pentru L3.
P1	Defecțiuni termistor (temperatură cameră) (TH1)	Verificați rezistența termistorului.
P2	Defecțiuni termistor (temperatură de referință pentru lichid) (TH2)	Verificați rezistența termistorului.
P6	Protecție anti-îngheț pentru schimbătorul de căldură cu placă	Consultați acțiunea pentru L3. Verificați cantitatea corectă de agent frigorific.
J0	Eroare de comunicare între FTC și receptorul wireless	Verificați cablul de conexiune de daune sau conexiuni slabe.
J1 - J8	Eroare de comunicare între receptorul wireless și telecomanda wireless	Verificați ca bateria telecomenzii wireless să nu fie descărcată. Verificați asocierea dintre receptorul wireless și telecomanda wireless. Testați comunicația wireless. (Consultați manualul sistemului wireless)
E0 - E5	Eroare de comunicare între telecomanda principală și FTC	Verificați cablul de conexiune de daune sau conexiuni slabe.
E6 - EF	Eroare de comunicare între FTC și unitatea de exterior	Verificați ca unitatea de exterior să nu fie oprită. Verificați cablul de conexiune de daune sau conexiuni slabe. Consultați manualul de service al unității de exterior.
E9	Unitatea de exterior nu primește semnal de la unitatea de interior.	Verificați ca ambele unități să fie pornite. Verificați cablul de conexiune de daune sau conexiuni slabe. Consultați manualul de service al unității de exterior.
EE	Eroare de combinare între FTC și unitatea de exterior	Verificați combinarea dintre FTC și unitatea de exterior.
U*, F*	Defecțiuni unitate de exterior	Consultați manualul de service al unității de exterior.
A*	Eroare de comunicare M-NET	Consultați manualul de service al unității de exterior.

Notă: Pentru anularea codurilor de eroare, opriți sistemul (Apăsați butonul F4 (RESETARE) de pe telecomanda principală).

7 Service și întreținere

■ Întreținere anuală

Este esențial ca unitatea cilindrului să fie verificată cel puțin o dată pe an de către o persoană calificată. Toate piesele necesare trebuie să fie achiziționate de la Mitsubishi Electric. NICIODATĂ nu trebuie să modificați dispozitivele de siguranță sau să acționați unitatea fără ca acestea să fie complet funcționale. Pentru mai multe detalii, consultați manualul de service.

Notă

- În primele luni de la instalare, îndepărtați și curățați filtrul cilindrului, plus orice piese auxiliare ale filtrului care sunt montate extern față de unitatea cilindrului. Acest lucru este foarte important atunci când realizați instalarea pe un sistem de conducte vechi/existente.
- Supapa PRV și supapa T&P (nr. 8, 20 și 21 din Figura 3.1) trebuie să fie verificate anual, prin rotirea manuală a butonului, astfel încât zona să fie descărcată, iar suportul garniturii să fie curat.

În plus, pe lângă verificarea anuală, este necesară schimbarea sau inspectarea unor piese după o anumită perioadă de funcționare a sistemului. Consultați tabelele de mai jos pentru instrucțiuni detaliate. Schimbarea și înlocuirea pieselor trebuie să fie efectuată întotdeauna de către o persoană competentă, cu instruirea și calificările necesare.

Piese care necesită schimbarea regulată

Piese	Schimbare la fiecare	Posibile defecțiuni
Valvă eliberare presiune (PRV) Manometru Grup de control intrare (ICG)*	6 ani	Scurgeri de apă

* PIESE OPȚIONALE pentru Regatul Unit

Piese care necesită inspectia regulată

Piese	Verificare la fiecare	Posibile defecțiuni
Valvă eliberare presiune (3 bari) Valvă eliberare presiune și de temperatură	1 an (rotirea manuală a butonului)	PRV ar trebui reparată și vasul de expansiune ar putea exploda
Încălzitor cu imersie	2 ani	Pierderile de curent pot cauza activarea întrerupătorului de circuit (încălzitorul este întotdeauna OPRIT)
Pompă de circulare a apei (circuit primar)	20.000 de ore (3 ani)	Defecțiune pompă de circulare a apei

Piese care NU trebuie reutilizate în timpul verificării

* Garnituri inelare

* Garnituri

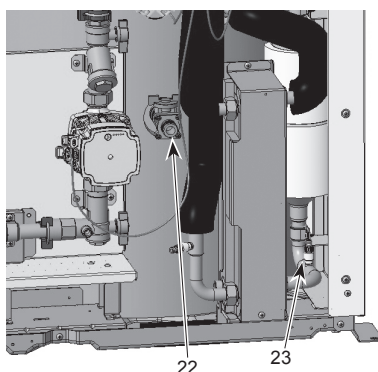
Notă:

- Schimbați întotdeauna garnitura pompei cu una nouă, la fiecare întreținere regulată (la fiecare 20.000 de ore de utilizare sau la fiecare 3 ani).

<Drenarea unității cilindrului și a circuitului de încălzire sanitar (local)>

AVERTISMENT: APA DRENATĂ POATE FI FOARTE FIERBİNTE

1. Înainte de a încerca să drenați unitatea cilindrului, izolați-o de alimentarea electrică pentru a preveni arderea încălzitorului cu imersie și a celui auxiliar.
2. Izolați fluxul de apă rece către rezervorul ACM.
3. Deschideți un robinet de apă caldă pentru a permite drenarea fără crearea de vid.
4. Conectați un furtun la robinetul de scurgere la rezervorului ACM (nr. 22 și 23 din Figura 7.1). Furtunul trebuie să suporte căldura, deoarece apa de evacuare ar putea fi foarte fierbinte. Furtunul trebuie tras într-o locație mai joasă decât partea inferioară a rezervorului ACM, pentru stimularea sifonării. Începeți drenarea prin deschiderea robinetului de evacuare.
5. Atunci când rezervorul ACM este gol, închideți robinetul de evacuare și cel pentru apă caldă.
6. Pentru circuitul primar, conectați furtunul la robinetul de evacuare al circuitului de apă (nr. 6 din Figura 3.1). Furtunul trebuie să suporte căldura, deoarece apa de evacuare ar putea fi foarte fierbinte. Furtunul trebuie tras într-o locație mai joasă decât robinetul de evacuare, pentru stimularea sifonării. Deschideți supapele pompei și supapele filtrului.
7. În filtru va mai rămâne apă după drenarea unității cilindrului.
Drenați filtru prin îndepărtarea capacului acestuia.



<Figura 7.1>

7 Service și întreținere

Formulare pentru ingineri

În cazul în care setările sunt altele decât cele implicite, introduceți și înregistrați noile setări în coloana „Setări câmp”. Astfel veți facilita resetarea ulterioară, în cazul în care utilizarea sistemului este modificată sau placa de circuit trebuie schimbată.

Fișă de înregistrare pentru punerea în funcțiune/setările la fața locului

Ecran telecomandă principală		Parametri	Setare implicită	Setare la fața locului	Note	
Principal	Temperatură încălzire cameră Zone1	10°C - 30°C	20°C			
	Temperatură încălzire cameră Zone2 *12	10°C - 30°C	20°C			
	Temperatură încălzire debit Zone1	20°C - 60°C	45°C			
	Temperatură încălzire debit Zone2 *1	20°C - 60°C	35°C			
	Temperatură răcire debit Zone1 *13	5°C - 25°C	15°C			
	Temperatură răcire debit Zone2 *13	5°C - 25°C	20°C			
	Curbă de compensare încălzire Zone1	-9°C - +9°C	0°C			
	Curbă de compensare încălzire Zone2 *1	-9°C - +9°C	0°C			
Opțiuni	Mod vacanță	Activ/Inactiv/Setare oră	—			
	Funcționare ACM forțată	Pornit/Oprit	—			
	ACM	Pornit/Oprit/Temporizator	Pornit			
	Încălzire/răcire *13	Pornit/Oprit/Temporizator	Pornit			
Setare	ACM	Mod de funcționare	Normal/Eco *15	Normal		
		Temperatură maximă ACM	40°C - 60°C *2	50°C		
		Scădere temperatură ACM	5°C - 30°C	10°C		
		Durată maximă de funcționare ACM	30 - 120 min	60 min		
		Restricționare mod ACM	30 - 120 min	30 min		
		Reîncărcare ACM	Mare/Standard	Standard		
		Prevenire Legionella	Activ	Da/Nu	Da	
			Temperatură apă caldă	60°C - 70°C *2	65°C	
	Frecvență		1 - 30 de zile	15 zile		
	Oră începere		00:00 - 23:00	03:00		
	Durată maximă de funcționare		1 - 5 ore	3 ore		
	Durată temperatură maximă		1 - 120 min	30 min		
	Încălzire/răcire *13	Mod de funcționare Zone1	Temperatură încălzire cameră/ Temperatură debit încălzire/ Curbă de compensare încălzire/ Temperatură debit răcire	Temperatură cameră		
		Mod de funcționare Zone2 *1	Temperatură încălzire cameră/ Temperatură debit încălzire/ Curbă de compensare încălzire/ Temperatură debit răcire	Curbă de compensare		
	Curbă de compensare	Punct setat temperatură ridicată debit	Temperatură ambientală exterioară Zone1	-30°C - +33°C *3	-15°C	
			Temperatură debit Zone1	20°C - 60°C	50°C	
			Temperatură ambientală exterioară Zone2 *1	-30°C - +33°C *3	-15°C	
			Temperatură debit Zone2 *1	20°C - 60°C	40°C	
		Punct setat temperatură scăzută debit	Temperatură ambientală exterioară Zone1	-28°C - +35°C *4	35°C	
			Temperatură debit Zone1	20°C - 60°C	25°C	
			Temperatură ambientală exterioară Zone2 *1	-28°C - +35°C *4	35°C	
			Temperatură debit Zone2 *1	20°C - 60°C	25°C	
		Reglare	Temperatură ambientală exterioară Zone1	-29°C - +34°C *5	—	
			Temperatură debit Zone1	20°C - 60°C	—	
Temperatură ambientală exterioară Zone2 *1			-29°C - +34°C *5	—		
Temperatură debit Zone2 *1			20°C - 60°C	—		
Vacanță	ACM	Activ/Inactiv	Inactiv			
	Încălzire/răcire *13	Activ/Inactiv	Activ			
	Temperatură încălzire cameră Zone1	10°C - 30°C	15°C			
	Temperatură încălzire cameră Zone2 *12	10°C - 30°C	15°C			
	Temperatură încălzire debit Zone1	20°C - 60°C	35°C			
	Temperatură încălzire debit Zone2 *1	20°C - 60°C	25°C			
	Temperatură răcire debit Zone1 *13	5°C - 25°C	25°C			
	Temperatură răcire debit Zone2 *13	5°C - 25°C	25°C			
Setări inițiale	Limbă	EN/FR/DE/SV/ES/IT/DA/NL/FI/NO/PT/BG/PL/CZ/RU/TR/SL	EN			
	°C/°F	°C/°F	°C			
	Oră de vară	Pornit/Oprit	Oprit			
	Afișare temperatură	Cameră/Rezervor ACM/Cameră și rezervor ACM/Oprit	Oprit			
	Afișare oră	oo:mm/oo:mm AM/AM oo:mm	oo:mm			
	Setări sensor cameră pentru Zone1	TH1/RC principal/RC1-8 cameră/„Time/Zone” (Oră/zonă)	TH1			
	Setări sensor cameră pentru Zone2 *1	TH1/RC principal/RC1-8 cameră/„Time/Zone” (Oră/zonă)	TH1			
	Selectare zonă RC cameră *1	Zone1/Zone2	Zone1			
	Meniu Service	Reglare termistor	THW1	-10°C - +10°C	0°C	
			THW2	-10°C - +10°C	0°C	
THW5A			-10°C - +10°C	0°C		
THW5B			-10°C - +10°C	0°C		
THW6			-10°C - +10°C	0°C		
THW7			-10°C - +10°C	0°C		
THW8			-10°C - +10°C	0°C		
THW9			-10°C - +10°C	0°C		
THW10			-10°C - +10°C	0°C		
THWB1			-10°C - +10°C	0°C		
Setări auxiliare		Setări economie pompă	Pornit/Oprit *6 Întârziere (3 - 60 min)	Pornit 10 min		
		Încălzire electrică (Încălzire)	Încălzire spațiu: Pornit (utilizat)/Oprit (neutilizat) Temporizator întârziere încălzitor electric (5 - 180 min)	Pornit 30 min		
		Încălzire electrică (ACM)	Încălzitor auxiliar	ACM: Pornit (utilizat)/Oprit (neutilizat)	Pornit	
			Încălzitor cu imersie	ACM: Pornit (utilizat)/Oprit (neutilizat) Temporizator întârziere încălzitor electric (15 - 30 min)	Pornit 15 min	
		Control supapă de amestec	În curs de funcționare (10 - 240 sec) Interval (1 - 30 min)	120 sec 2 min		
		Senzor de debit *17	Minim (0 - 100 L/min)	5 L/min		
			Maxim (0 - 100 L/min)	100 L/min		
		Îleșire analogică	Interval (1 - 30 min) Prioritate (Normală/Mare)	5 min Normal		

(Continuare pe pagina următoare.)

7 Service și întreținere

Formulare pentru ingineri

Fișă de înregistrare pentru punerea în funcțiune/setările la fața locului (continuare de pe pagina anterioară)

Ecran telecomandă principală			Parametri	Setare implicită	Setare la fața locului	Note			
Setare	Meniu Service	Viteză pompă	ACM	Viteză pompă (1 - 5)	5				
			Încălzire/răcire	Viteză pompă (1 - 5)	5				
		Setare sursă de căldură		Standard/Încălzitor/Boiler/Hibrid *7	Standard				
		Setare pompă de căldură	Interval debit pompă de căldură	Minim (0 - 100 L/min) Maxim (0 - 100 L/min)	5 L/min 100 L/min				
			Mod silențios	Zi (Lun - Dum) Oră	— 0:00 - 23:45				
				Nivel silențios (Normal/Nivel1/Nivel2)	Normal				
		Setări funcționare	Funcționare încălzire *8	Interval temperatură debit *10	Temperatură minimă (20 - 45°C) Temperatură maximă (35 - 60°C)	30°C 50°C			
				Control temperatură cameră *14	Mod (Normal/Rapid) Interval (10 - 60 min)	Normal 10 min			
				Relgare diferențe termice pompă de încălzire	Pornit/Oprit *6 Limită inferioară (-9 - -1°C) Limită superioară (+3 - +5°C)	Pornit -5°C 5°C			
				Funcție anti-îngheț *11	Temperatură ambiantală exterioră (3 - 20°C) / **	5°C			
				Funcționare simultană (ACM/Încălzire)	Pornit/Oprit *6 Temperatură ambiantală exterioră (-30 - +10°C) *3	Oprit -15°C			
				Funcție vreme rece	Pornit/Oprit *6 Temperatură ambiantală exterioră (-30 - -10°C) *3	Oprit -15°C			
				Funcționare boiler	Setări mod hibrid	Temperatură ambiantală exterioră (-30 - +10°C) *3 Mod prioritate (Ambient/Cost/CO ₂) *16 Creștere temperatură ambiantală exterioră (+1 - +5°C)	-15°C Ambient +3°C		
					Setări inteligente	Preț energie *9	Electricitate (0,001 - 999 */kWh) Boiler (0,001 - 999 */kWh)	0,5 */kWh 0,5 */kWh	
						Emisii de CO ₂	Electricitate (0,001 - 999 kg -CO ₂ /kWh) Boiler (0,001 - 999 kg -CO ₂ /kWh)	0,5 kg -CO ₂ /kWh 0,5 kg -CO ₂ /kWh	
				Sursă de căldură		Capacitate pompă de căldură (1 - 40 kW) Eficiență boiler (25 - 150%) Capacitate încălzitor auxiliar 1 (0 - 30 kW) Capacitate încălzitor auxiliar 2 (0 - 30 kW)	11,2 kW 80% 2 kW 4 kW		
					Grilă inteligentă pregătită	ACM	Pornit/Oprit Temperatură țintă (+1 - +20°C)/-- (Inactiv)	Oprit --	
						Încălzire	Pornit/Oprit Temperatură țintă	Recomandare pornire (20 - 60°C) Comandă pornire (20 - 60°C)	Oprit 50°C 55°C
				Răcire	Pornit/Oprit	Recomandare pornire (5 - 25°C) Comandă pornire (5 - 25°C)	Oprit 15°C 10°C		
					Cicluri pompă	Încălzire (Pornit/Oprit) Răcire (Pornit/Oprit) Interval (10-120 min)	Pornit Pornit 10 min		
				Funcție de uscare a pardoselii	Pornit/Oprit *6	Temperatură țintă	Oprit Începere și finalizare (20 - 60°C) Temperatură maximă (20 - 60°C) Perioadă temperatură maximă (1 - 20 de zile)		
					Temperatură debit (creștere)	Nivel creștere temperatură (+1 - +10°C) Interval creștere (1 - 7 zile)	+5°C 2 zile		
					Temperatură debit (scădere)	Nivel scădere temperatură (-1 - -10°C) Interval scădere (1 - 7 zile)	-5°C 2 zile		
					Mod vară	Pornit/Oprit Temperatură ambiantală exterioră	Oprit Încălzire PORNITĂ (4-19°C) Încălzire OPRITĂ (5-20°C)	10°C 15°C	
				Durată de procesare		Încălzire PORNITĂ (1-48 de ore) Încălzire OPRITĂ (1-48 de ore)	6 ore 6 ore		
					Încălzire forțată PORNITĂ (-30 - 10°C)	5°C			
				Control debit apă	Pornit/Oprit	Oprit			

(Continuare pe pagina următoare.)

7 Service și întreținere

■ Formulare pentru ingineri

Fișă de înregistrare pentru punerea în funcțiune/setările la fața locului (continuare de pe pagina anterioară)

Ecran telecomandă principală				Parametri	Setare implicită	Setare la fața locului	Note
Meniu Service	Setări monitor energie	Capacitate încălzitor electric	Capacitate încălzitor auxiliar 1	0 - 30 kW	2 kW		
			Capacitate încălzitor auxiliar 2	0 - 30 kW	4 kW		
			Capacitate încălzitor cu imersie	0 - 30 kW	0 kW		
			leșire analogică	0 - 30 kW	0 kW		
		Reglare energie furnizată	-50 - +50%	0%			
		Intrare pompă apă	Pompă 1	0 - 200 W sau ***(pompă montată din fabrică)	***		
			Pompă 2	0 - 200 W	0 W		
			Pompă 3	0 - 200 W	0 W		
			Pompă 4	0 - 200 W	72 W		
		Contor electric	0,1/1/10/100/1000 puls/kWh	1 puls/kWh			
	Contor termic	0,1/1/10/100/1000 puls/kWh	1 puls/kWh				
	Setări intrare externă	Control cerere (IN4)	OPRIRE sursă de încălzire/funcționare boiler	Funcționare boiler			
		Termostat exterior (IN5)	Funcționare încălzitor/funcționare boiler	Funcționare boiler			
		leșire PORNIRE termică	Zone1/Zone2/Zone1 și 2	Zone1 și 2			

*1 Setările pentru Zone2 pot fi modificate numai atunci când controlul temperaturii pe 2 zone este activat (atunci când comutatoarele DIP SW2-6 și SW2-7 sunt PORNITE).

*2 Pentru modelul fără încălzitor auxiliar și cu imersie, este posibil ca sistemul să nu atingă temperatura setată, în funcție de temperatura ambientală exterioară.

*3 Limita inferioară este -15°C în funcție de unitatea de exterior conectată.

*4 Limita inferioară este -13°C în funcție de unitatea de exterior conectată.

*5 Limita inferioară este -14°C în funcție de unitatea de exterior conectată.

*6 Pornit: funcția este activă. Oprit: funcția este inactivă.

*7 Atunci când comutatorul DIP SW1-1 este setat pe OPRIT „WITHOUT Boiler” (FĂRĂ boiler) sau SW2-6 este setat pe OPRIT „WITHOUT Mixing tank” (FĂRĂ rezervor de amestec), nici boilerul și nici modul hibrid nu pot fi selectate.

*8 Valid doar atunci când sistemul funcționează în modul de control al temperaturii din cameră.

9 „” de „*/kWh” reprezintă unitatea de măsurare (de exemplu, € sau £ sau asemănător)

*10 Valid doar atunci când sistemul funcționează la temperatura de încălzire a camerei.

*11 În cazul în care alegeți asteriscul (**), funcția anti-îngheț este dezactivată. (adică, risc de înghețare a apei primare)

*12 Setările pentru Zone2 pot fi modificate numai atunci când controlul temperaturii pe 2 zone sau controlul de PORNIRE/OPRIRE al supapei pe 2 zone este activat.

*13 Setările pentru modul răcire sunt disponibile numai pentru modelul ER.

*14 Atunci când comutatorul DIP SW5-2 este setat pe OPRIT, funcția este activă.

*15 Atunci când unitatea cilindru este conectată la o unitate de exterior PUMY-P, modul este fixat pe „Normal”.

*16 Atunci când unitatea cilindru este conectată la o unitate de exterior PUMY-P, modul este fixat pe „Ambient”.

*17 Nu modificați setarea, deoarece aceasta este realizată în conformitate cu specificațiile senzorului de debit montat pe unitatea cilindru.

1. Ohutusteave..... 2
 2. Sissejuhatus 3
 3. Tehniline teave..... 4
 4. Paigaldamine 10
 4.1 Asukoht..... 10
 4.2 Vee kvaliteet ja süsteemi seadistamine 11
 4.3 Veetorustiku paigaldamine 11
 4.4 Elektriühendus 14
 5. Süsteemi seadistus 16
 5.1 DIP-lüliti funktsioonid..... 16
 5.2 Sisendite/väljundite ühendamine 17
 5.3 2-tsoonilise temperatuurikontrolli juhtmestik 18
 5.4 Ainult siseseadme töötamine (paigaldustööde ajal) 19
 5.5 Aruka võrgu valmidus 19
 5.6 SD-mälukaardi kasutamine 19
 5.7 Kaugjuhtimispuult..... 20
 6. Käivitamine 26
 7. Teenindus ja hooldus 27



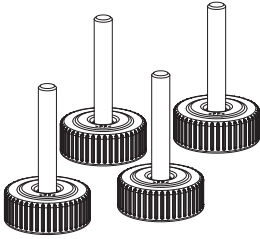
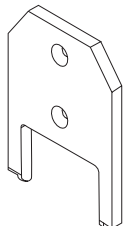
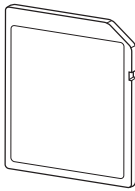
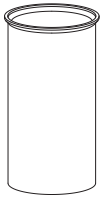
<http://www.mitsubishielectric.com/ldg/ibim/>

Kui soovite saada teavet, mida pole juhendisse kirjutatud, minge juhendite allalaadimiseks ülalmainitud veebilehele, valige mudeli nimi ja seejärel keel.

Veebijuhendi sisukord

- Energiamonitor
- Komponentid (detailid)
- Veeringluse skeem (170 L)
- Ruumi termostaat
- Süsteemi täitmine
- Lihtne 2-tsooniline süsteem
- Sõltumatu elektrienergiaallikas
- Aruka võrgu valmidus
- Kaugjuhtimispuuldi valikud
- Hooldusmenüü (eriseade)
- Lisateave

Lisatarvikud (on kaasas)

Reguleeritavad jalad	Elektrikütetekeha tööriist Ainult EHPT20X-MHEDW mudel	SD-mälukaart	STV-toru vaskvooder
			
4	1	1	2

Lühendid ja sõnastik

Nr	Lühend/sõna	Kirjeldus
1	Kütograafiku režiim	Ruumi kütmine välistemperatuuri suhtes kompenseerimisega
2	COP	Soojuspumba tõhususe jõudluskoefitsient (Coefficient of Performance)
3	Silinderseade	Siseruumide ventileerimata DHW paak ja torustikuosad
4	STV režiim	Koduse sooja tarbevee (STV) soojendusrežiim, kraanivesi, dušš jne.
5	Pealevoolutemperatuur	Temperatuur, milles vesi jõuab põhiahelasse
6	Külmumisvastane funktsioon	Küttefunktsioon veetorude külmumise vältimiseks
7	FTC	Pealevoolu temperatuurikontroller (Flow temperature controller), süsteemi juhtiv trükkplaat
8	Kütterežiim	Ruumi kütmine radiaatorite või põrandasoojendusega
9	Legionella	Bakterid, mis võivad esineda torustikes, duššides ja veepaakides ja võivad põhjustada legionärihaigust
10	LP-režiim	Legionella ennetamise (Legionella prevention) režiim; veepaakidega süsteemide funktsioon, mis hoiab ära Legionella-bakterite kasvu
11	Pakendatud mudel	Plaatsoojusvaheti (jahutusaine: vesi) välistingimustes asuvas soojuspumbas
12	PRV	Ülerõhuklapp (Pressure relief valve)
13	Tagasivoolu temperatuur	Temperatuur, milles vesi põhiahelast väljub
14	Jagatud mudel	Siseruumides asuva seadme plaatsoojusvaheti (jahutusaine: vesi)
15	TRV	Radiaatori termostaatventiil (Thermostatic radiator valve): radiaatoripaneeli sisse- või väljapääsul asuv klapp soojussisendi piiramiseks
16	Jahutusrežiim	Ruumi jahutamine jahutusühikute või põrandajahutusega

1 Ohutusteave

Lugege järgnevad ettevaatusabinõud hoolikalt läbi.

⚠ HOIATUS!
Vigastuste või surma vältimiseks vajalikud ettevaatusabinõud.





⚠ TÄHELEPANU!
Ettevaatusabinõud, mida tuleb järgida, et seadet mitte kahjustada.

Paigaldus- ja kasutusjuhend tuleb jätta edasiseks kasutamiseks pärast paigaldamist toote juurde.

Mitsubishi Electric ei vastuta lokaalsete osade rikke eest.

- Hooldage seadet korrapäraselt.
- Järgige kohalikke eeskirju.
- Järgige juhendis esitatud juhiseid.

SEADMEL NÄIDATUD SÜMBOLITE TÄHENDUS

	HOIATUS! (Tuleohhtlik)	See märk kehtib ainult R32 külmaainele. Külmaaine tüüp on kirjutatud välisseadme andmesildile. Juhul kui külmaaine tüüp on R32, kasutab seade kergesti süttivat külmaainet. Kui külmaaine seadmest välja lekib ja puutub kokku tule või küttekehaga, tekitab see kahjulikku gaasi ja tuleohtu.
		Enne kasutamist lugege KASUTUSJUHEND tähelepanelikult läbi.
		Hoolduspersonal peab enne kasutamist KASUTUSJUHENDI ja PAIGALDUSJUHENDI põhjalikult läbi lugema.
		KASUTUSJUHEND, PAIGALDUSJUHEND jne sisaldavad lisateavet.

⚠ HOIATUS!

Mehaaniline

Kasutaja ei tohi silinder- ja välisseadet paigaldada, lahti võtta, ümber paigutada, muuta ega parandada. Paluge seda teha paigaldajal või tehnikul. Kui toode on valesti paigaldatud või pärast paigaldamist muudetud, võib tagajärjeks olla veeleke, elektrilöökk või tulekahju.

Välisseade tuleb paigaldada kindlalt kõvale tasapinnale, mis suudab kanda selle raskust.

Silinderseade tuleb paigaldada kõvale tasapinnale, mis suudab kanda selle raskust täidetud olekus, et vältida liigset müra või vibratsiooni.

Ärge paigaldage välis- või silinderseadme alla mööblit ega elektriseadmeid.

Silinderseadme hädaabiseadmete väljalasketorud tuleb paigaldada kohaliku seaduse kohaselt.

Kasutage ainult Mitsubishi Electricu volitatud lisatarvikuid ja asendusosi ning paluge need paigaldada kvalifitseeritud tehnikul.

Elektriline

Kõiki elektritöid peab tegema kvalifitseeritud tehnik kohalike eeskirjade ja juhendis esitatud juhiste kohaselt.

Seadmeid peab toitma spetsiaalne toiteallikas ning kasutada tuleb õigeid pinge- ja kaitselüliteid.

Juhtmestik peab vastama riiklikele juhtmestiku eeskirjadele. Ühendused peavad olema turvalised ja klemmid ei tohi olla pinges all.

Maandage seade nõuetekohaselt.

Üldine

Hoidke lapsed ja lemmikloomad nii silinder- kui ka välisseadmest eemal.

Ärge kasutage soojuspumba toodetud sooja vett otse joomiseks või söögitegemiseks. See võib kasutaja haigeks teha.

Ärge seiske seadmete peal.

Ärge katsuge lüliteid märgade kätega.

Kvalifitseeritud isik peaks tegema nii silinder- kui ka välisseadmele iga-aastase hoolduskontrolli.

Ärge asetage seadme peale vedelikuanumaid. Kui need lekivad või lähevad ümber silinderseadme peal, võivad tekkida seadme kahjustused ja/või tulekahju.

Ärge asetage seadme peale raskeid esemeid.

Silinderseadme paigaldamisel, ümberpaigutamisel või hooldamisel kasutage jahutusliinide täitmiseks üksnes soojuspumbal märgitud külmaainet. Ärge segage seda muude jahutusainetega ning ärge jätke liinidesse õhku. Kui õhk seguneb jahutusainega, võib see põhjustada ebatavaliselt kõrget rõhku jahutusliinis ning seeläbi plahvatusi ja muid ohte.

Muude jahutusainete kasutamine süsteemis võib põhjustada süsteemi mehaanilise rikke, töötörke või rikke. Halvimal juhul võib see omada raskeid tagajärgi toote ohutusele.

Kütterežiimis seadke pealevoolu sihttemperatuur vähemalt 2°C alla kõigi kütteelementide maksimaalset lubatud temperatuuri, et vältida kütteelementide kahjustamist ülemäära kuumaga. Zone 2 pealevoolu voolu sihttemperatuuriks vähemalt 5°C alla kõigi zone 2 kütteelementide maksimaalset lubatud voolutemperatuuri.

Ärge paigaldage seadet kohta, kus kergesti süttivad gaasid võivad lekkida, tekkida, voolata või koguneda. Kui kergesti süttiv gaas koguneb ümber seadme, võib tulemuseks olla tulekahju või plahvatus.

Ärge kasutage sulamise kiirendamiseks või puhastamiseks vahendeid, mida tootja pole soovitanud.

Seadet tuleb hoida ruumis, kus ei ole pidevalt töötavaid süüteallikaid (nt lahtine tuli, töötav gaasiseade või töötav elektrisojendi).

Ärge purustage ega põletage.

Pidage meeles, et külmaaine võib olla lõhnatu.

Torustikku tuleb kaitsta füüsiliste kahjustuste eest.

Torupaigaldust tuleks hoida miinimumini.

Järgida tuleb riiklike gaasiga seotud eeskirju.

Hoidke kõik vajalikud ventilatsiooniavad takistusest.

Ärge kasutage külmaainetorude kõvajoodisjootmisel madala temperatuuriga jootepulbrit.

1 Ohutusteave

⚠ TÄHELEPANU

Kasutage puhast vett, mis vastab kohalikele primaarahela kvaliteedistandarditele.

Välisseade tuleb paigaldada kohta, kus on välisseadme paigaldusjuhendis esitatud skeemide kohaselt piisav õhuvool.

Silinderseade tuleb paigaldada siseruumi, et minimeerida soojuskadu.

Välis- ja siseseadme vahelise primaarahela veetoru peaks olema võimalikult lühike, et vähendada soojuskadu.

Veenduge, et välisseadme kondensaat oleks alusest eemale juhitud, et vältida veeloikude tekkimist.

Eemaldage primaar- ja soojaveeahelatest nii palju õhku kui võimalik.

Külmaaine leke võib põhjustada lämbumist. Ventileerige standardi EN378-1 kohaselt.

Isoleerige torustik kindlasti. Otsene kokkupuude katmata torustikuga võib põhjustada põletust või külmakahjustust.

Ärge mitte ühelgi juhul pange patareisid suhu, et vältida kogemata allaneelamist.

Patareide allaneelamine võib põhjustada lämbumist ja/või mürgitust.

Ärge transportige silinderseadet, kui STV paak on veega täidetud. See võib seadet kahjustada.

Kui silinderseadme vool lülitatakse pikemaks ajaks välja (või süsteem lülitatakse välja), tuleb vesi välja lasta.

Kui seadet pärast pikka seismisaega uuesti kasutama hakata, tuleb STV paak joogiveega üle loputada.

Ennetavaid meetmeid tuleks võtta hüdraulilise löögi suhtes, näiteks paigaldada primaarsele veeahelale tootja juhiste kohaselt hüdraulilise löögi peataja.

Külmaaine käitlemise kohta lugege välisseadme paigaldusjuhendist.

2 Sissejuhatus

Selle paigaldusjuhendi eesmärk on juhendada pädevaid isikuid, kuidas silinderseadme süsteemi ohutult ja tõhusalt paigaldada ning käivitada. Juhendi sihtlugejad on pädevad torulukksepad ja/või jahutusseadmete insenerid,

kes on osalenud ja läbinud vajaliku Mitsubishi Electricu tootekoolituse ning kellel on sobivad riigikohased volitused ventileerimata sooja vee silinderseadme paigaldamiseks.

3 Tehniline teave

■ Toote spetsifikatsioon

Mudeli nimi	EHST17D-VM2D	ERST17D-VM2D	EHST20D-MED	EHST20D-VM2D	EHST20D-VM6D	EHST20D-YM9D	EHST20D-YM9ED	ERST20D-VM2D	EHST30D-MED	EHST30D-VM6ED	EHST30D-YM9ED	ERST30D-VM2ED
Sooja tarbevee nimimaht	170 L			200 L							300 L	
Seadme üldmõõdmed (kõrgus x laius x sügavus)	1400 x 595 x 680 mm											
Kaal (ühjana)	93 kg	104 kg	98 kg	106 kg	105 kg	101 kg	101 kg	104 kg	113 kg	115 kg	116 kg	114 kg
Kaal (täidetuna)	269 kg	310 kg	304 kg	314 kg	311 kg	309 kg	314 kg	310 kg	420 kg	422 kg	425 kg	421 kg
Seadme kütteahela veemaht *1	3,4 L		3,5 L		12 L	5,8 L		3,5 L	3,9 L	3,9 L	6,2 L	3,9 L
Ventileerimata paisupaak (primaarne kütteahel)	12 L				0,1 MPa			12 L				
	0,1 MPa				0,1 MPa			0,1 MPa				
Reguleeriv termistor	1–80°C											
Ülerõhuklapp (Pressure relief valve)	0,3 MPa (3bar)											
Vooluandur	Min vool 5,0 L/min (Tabelis 4.3.1 on esitatud vee voolumäära andmed)											
Ohutus-seade	90°C		—	90°C		—		—	—	—	90°C	
	121°C		—	121°C		—		—	—	—	121°C	
STV paak	Reguleeriv termistor											
	Elektriküttekeha käsitsi lähestatav termostaat											
	Temperatuur / Ülerõhuklapp (Pressure relief valve)											
	1,0 MPa (10 bar)											
Ühendused	Vesi											
	Primaarjahel											
	STV-ahel											
	Vedelik											
	Külmaaine (R32/R410A)											
	Gaas											
	Ruumitemperatuur											
	Pealevoolu temperatuur											
	Ruumitemperatuur											
Töövahemik	—	5–25°C	—	5–25°C	—	—	—	5–25°C	—	—	—	5–25°C
Õhk	0–35°C (≤ 80 %RH)											
Garanteeritud töövahemik *2	Vt välisseadme spetsifikatsioonitabelit.											
Välise temperatuur	—	*3	—	—	—	—	—	*3	—	—	—	*3
Maksimaalne lubatud sooja vee temperatuur	70°C		*4	70°C				70°C	*4		70°C	
Deklareeritud koormusprofiil	L											
Keskmine kliima	A+											
Veesoojendi energia-tõhususe klass	A+											
Juhtpaneel (Sealhulgas 4 pumba)	~N, 230 V, 50 Hz											
	0,30 kW											
	1,95 A											
	10 A											
Kaitsetüüpi	~N, 230 V, 50 Hz		—	~N, 230 V, 50 Hz		3–, 400 V, 50 Hz		~N, 230 V, 50 Hz		~N, 230 V, 50 Hz	3–, 400 V, 50 Hz	~N, 230 V, 50 Hz
Elektrilise lisaküte	2 kW		—	2 kW		3 kW + 6 kW		2 kW		2 kW + 4 kW	3 kW + 6 kW	2 kW
	9 A		—	9 A		13 A		9 A		26 A	13 A	9 A
	16 A		—	16 A		32 A		16 A		32 A	16 A	16 A
Elektriküttekeha *5	—											
	—											
	—											
	—											
Helivõimsuse tase	41 dB(A)											

< Tabel 3.1 >

*1 Sanitaarvee ahela, primaarne STV-ahel (3-suunalisest klapist kuni kütteahelaga liitunud punktini), paisupaagi tonustikku ja paisupaagi mahtu ei ole sellesse väärtusesse arvestatud.
 *2 Keskkond peab olema külmakindel.
 *3 Vt välisseadme spetsifikatsioonitabelit.
 *4 Ilma elektriline ja Elektriküttekeha mudeli puhul on maksimaalne lubatud sooja vee temperatuur [Välisseadme maksimaalne väljalaskevési –3°C]. Välisseadme maksimaalse väljalaskevési kohta lugege välisseadme andmearaamatust.
 *5 Ärge kasutage Elektriküttekehata ilma suvavahetamiseks ainult Mitsubishi Electrici hooldusosi.

3 Tehniline teave

■ Toote spetsifikatsioon

Mudeli nimi	EHPT20X-MED	EHPT20X-VM6D	EHPT20X-YM9D	EHPT20X-YM9ED	EHPT20X-TM9D	EHPT20X-MHEDW	ERPT20X-MD	ERPT20X-VM2D	ERPT20X-VM6D	EHPT30X-MED	EHPT30X-YM9ED	ERPT30X-VM2ED
Sooja tarbevee nimimaht	300 L											
Seadme üldmõõdmed (kõrgus x laius x sügavus)	200 L											
Kaal (tühjana)	1600 x 595 x 680 mm											
Kaal (laidetuna)	93 kg	101 kg	102 kg	96 kg	102 kg	90 kg	99 kg	100 kg	101 kg	106 kg	109 kg	107 kg
Seadme külteahela veemaht *1	300 kg	307 kg	310 kg	305 kg	310 kg	296 kg	305 kg	305 kg	307 kg	413 kg	419 kg	413 kg
Ventileerimata paisupaak (primaarne külteahel)	3,7 L	12 L	12 L	6,0 L	12 L	3,7 L	3,7 L	3,7 L	3,7 L	4,4 L	6,7 L	4,4 L
Nimimaht	—	—	—	—	—	—	—	—	—	—	—	—
Ülelaaderõhk	—	0,1 MPa	—	—	0,1 MPa	—	—	0,1 MPa	—	—	—	—
Reguleeriv termistor	1–80°C											
Ülerõhuklapp (Pressure relief valve)	—											
Vooluandur	Min vool 5,0 L/min (Tabelis 4.3.1 on esitatud vee voolumaaria andmed)											
Ohutus-seade	—	90°C	90°C	90°C	—	—	—	90°C	—	—	90°C	—
Reguleeriv termistor	—	121°C	121°C	121°C	—	—	—	121°C	—	—	121°C	—
Elektrikültekeha käsitsi lähtestatav termostaat	75°C											
STV paak	—											
Temperatuur / Ülerõhuklapp (Pressure relief valve)	1,0 MPa (10 bar)											
Vesi	90°C / 0,7 MPa (7 bar)											
Ühendused	Ø28 mm											
Külmaaine (R32/R410A)	Ø22 mm											
Gas	—											
Küte	10–30°C											
Töövahemik	20–60°C											
Pealevoolu temperatuur	—											
Ruumtemperatuur	—											
Pealevoolu temperatuur	5–25°C											
Õhk	0–35°C (≤ 80 %RH)											
Garanteeritud töövahemik *2	Vt välisseadme spetsifikatsioonitabelit.											
Välise temperatuur	—											
Jahutus	*3											
Maksimaalne lubatud sooja vee temperatuur	*4	70°C	—	70°C	L	—	*4	70°C	—	*4	70°C	—
Deklareeritud koormusprofiil	A+											
Keskmine energiakliima	A											
Juhtpaneel (Sealhulgas 4 Vool	—/N, 230 V, 50 Hz											
Kaltselüliti	0,30 kW											
Toitepinge (faas, ping, sagedus)	1,95 A											
Võimsus	10 A											
Vool	—	~N, 230 V, 50 Hz	3~ 400 V, 50 Hz	3~ 230 V, 50 Hz	—	—	—	~N, 230 V, 50 Hz	—	—	3~ 400 V, 50 Hz	~N, 230 V, 50 Hz
Kaltselüliti	—	2 kW + 4 kW	3 kW + 6 kW	—	—	—	—	2 kW + 4 kW	—	—	3 kW + 6 kW	2 kW
Elektriline lisaküte	—	26 A	13 A	16 A	23 A	—	—	9 A	26 A	—	13 A	9 A
Vool	—	32 A	16 A	32 A	—	—	—	16 A	32 A	—	16 A	16 A
Elektrikültekeha	~N, 230 V, 50 Hz											
Võimsus	3 kW											
Vool	13 A											
Kaltselüliti	16 A											
Helivõimsuse tase	40 dB(A)											

<Tabel 3.3>

*1 Sanitaarvee ahela, primaarse STV-ahel (3-suunalisest klapist kuni külteahelaga liitunud punktini), paisupaagi torustikku ja paisupaagi mahtu ei ole sellesse väärtusesse arvestatud.
 *2 Keskkond peab olema külmakindel.
 *3 Vt välisseadme spetsifikatsioonitabelit (min, 10°C). Jahutusrežiim ei ole madalal välistemperatuuril saadaval. Kui kasutate meie süsteemi jahutusrežiimi madala õhutamperatuuriga (10°C või madalam), võib külmunud vesi plattsuujusvahetit kahjustada.
 *4 Ilma elektriline ja Elektrikültekeha mudeli puhul on maksimaalne lubatud sooja vee temperatuur välisseadme maksimaalne väljalaskevee –3°C). Välisseadme maksimaalne väljalaskevee –3°C). Välisseadme maksimaalse väljalaskevee kohta lugege välisseadme andmearaamatust.
 *5 Arge kasutage Elektrikültekehat ilma sulavkatmeteta. Kasutage väljavahetamiseks ainult Mitsubishi Electrici hooldusosi.

3 Tehniline teave

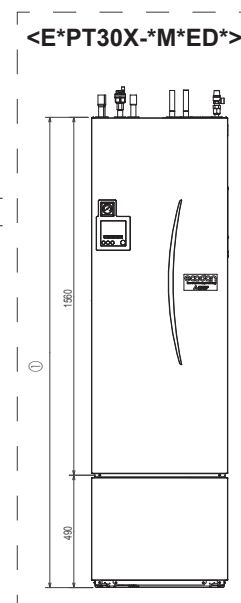
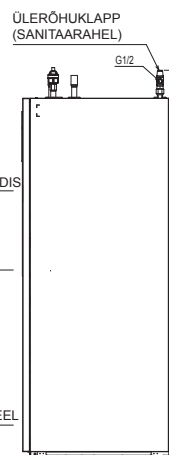
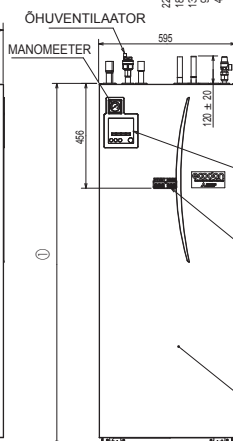
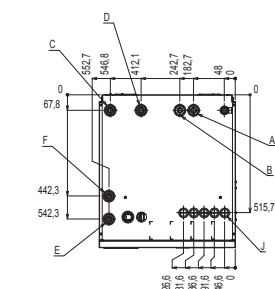
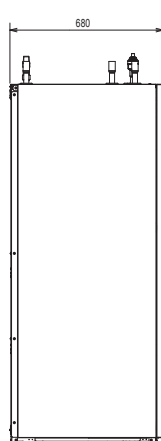
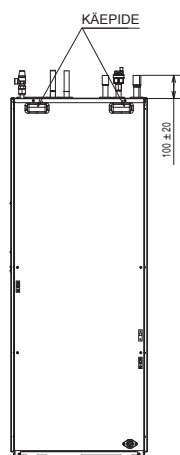
<Seade: mm>

■ Tehnilised joonised

<E**T***-M**D>

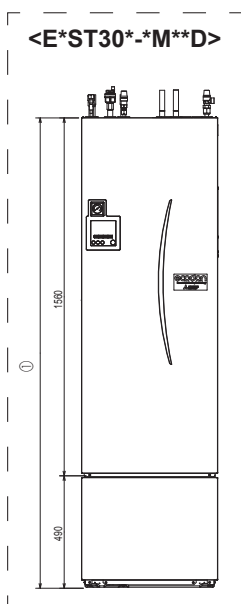
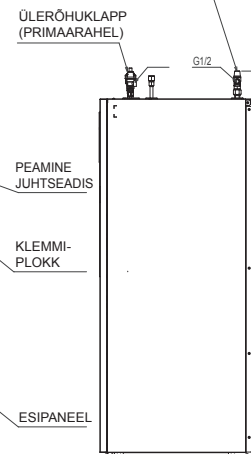
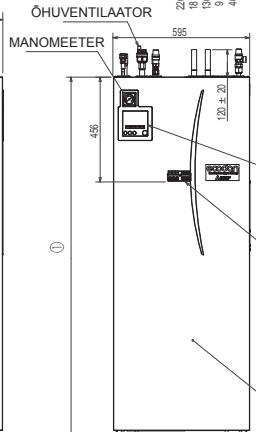
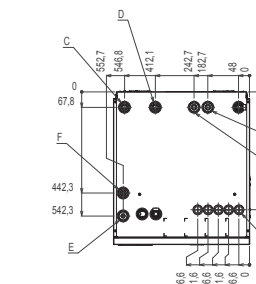
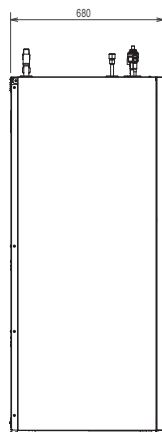
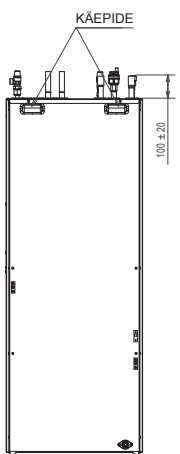
(Pakendatud mudeli süsteem)

STV paak maht	170L	200L	300L
①	1400	1600	2050



(Jagatud mudeli süsteem)

STV paak maht	170L	200L	300L
①	1400	1600	2050



Täht	Toru kirjeldus	Ühenduse suurus/tüüp
A	Sooja tarbevee väljalaskeühendus	22 mm/surve
B	Külma vee sisselaskeühendus	22 mm/surve
C	Küttevee/jahutuse TAGASIVOOLUühendus	28 mm/surve
D	Küttevee/jahutuse VOOLUühendus	28 mm/surve
E	Vooluühendus SOOJUSPUMBAST (ilma plaatsoojusvahetita)	28 mm/surve
F	Tagasivooluühendus SOOJUSPUMPA (ilma plaatsoojusvahetita)	28 mm/surve
G	Külmaaine (GAAS) (plaatsoojusvahetiga)	12,7 mm/laiendus (E*ST**D-*) 15,88 mm/laiendus (E*ST**C-*)
H	Külmaaine (VEDELIK) (plaatsoojusvahetiga)	6,35 mm/laiendus (E*ST**D-*) 9,52 mm/laiendus (E*ST**C-*)
J	Elektrikaabli sisendid	Ühendage sisenditega ①, ② ja ③ madalpinge juhtmed, sealhulgas välised sisendjuhtmed ja termistori juhtmed. Ühendage sisenditega ④ ja ⑤ kõrgpinge juhtmed, sealhulgas voolukaabel, sise-/välisruumi kaabel ja välised väljundjuhtmed. * Traadita vastuvõtja (lisaseade) kaabli ja Ecodani Wi-Fi liidese (lisaseade) kaabli puhul kasutage sisendit ①.

Hoiaatus

- Külmaainetorude ühenduse peab olema hoolduseks ligipääsetav.
- Kui külmaainetorud ühendatakse pärast lahtivõtmist uuesti, tuleb toru otsalaiendus uuesti tekitada.

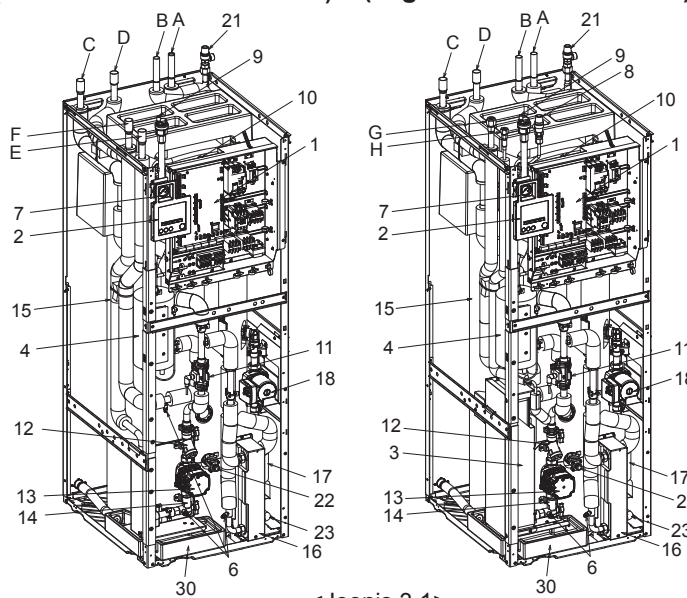
<Tabel 3.4>

3 Tehniline teave

Komponendid

<E**T***-M**D>

(Pakendatud mudeli süsteem) (Jagatud mudeli süsteem)

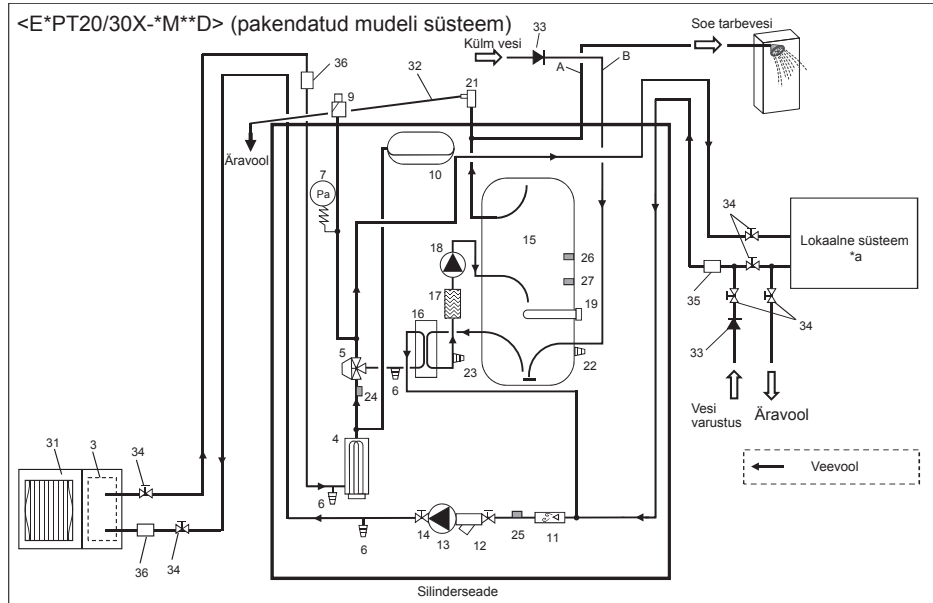


Märkus.
Kõikide E**T***-M**ED* mudelitega tuleb paigaldada sobivas suuruses primaarpoole paisupaak ja lisa-ülerõhuklapp, et vältida paisupaagi lõhkemist. (Lisajuhised leiate joonistelt 3.2–3.3 ja 4.3.2)

<Joonis 3.1>

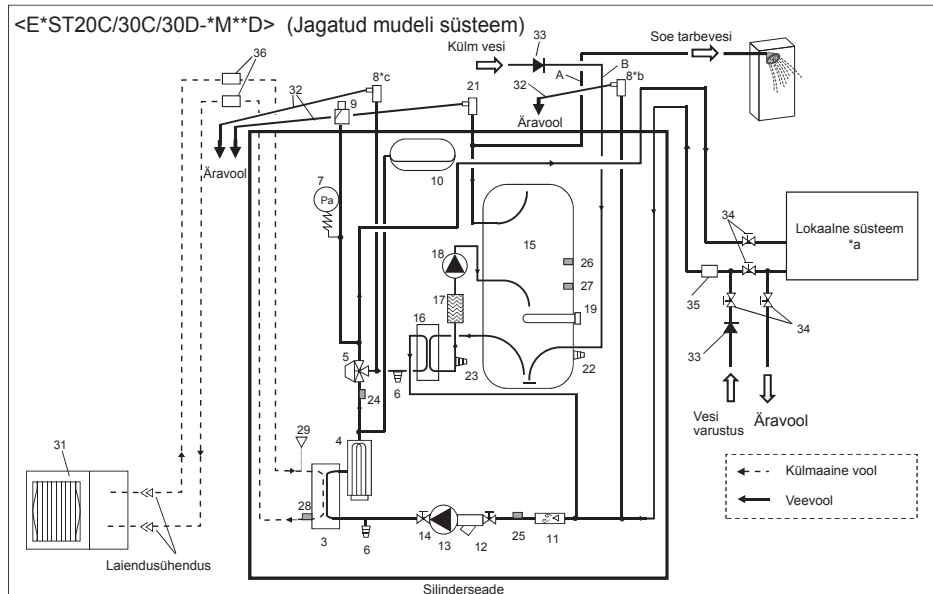
Veeringluse skeem

<E*PT20/30X-M**D> (pakendatud mudeli süsteem)



<Joonis 3.2>

<E*ST20C/30C/30D-M**D> (Jagatud mudeli süsteem)



<Joonis 3.3>

Nr	Osa nimi
A	Sooja tarbevee väljalasketoru
B	Külma vee sisselasketoru
C	Veetoru (küttevee/jahutuse tagasivooluühendus)
D	Veetoru (küttevee/jahutuse vooluühendus)
E	Veetoru (soojuspumba ühenduse vool)
F	Veetoru (soojuspumba tagasivooluühendus)
G	Külmaainetoru (gaas)
H	Külmaainetoru (vedelik)
1	Juhtimis- ja elektrikarp
2	Juhtimispuul
3	Plaatsoojusvaheti (külmaaine – vesi)
4	Elektriline lisaküte 1,2
5	3-suunaline klapp
6	Tühjenduskraan (primaarahel)
7	Manomeeter
8	Ülerõhuklapp (3 bar)
9	Automaatne õhuventilaator
10	Paisupaak (primaarahel)
11	Vooluandur
12	Filterklapp
13	Vee tsirkulatsioonipump 1 (primaarahel)
14	Pumbaklapp
15	STV paak
16	Plaatsoojusvaheti (vesi – vesi)
17	Katlakivi trapp
18	Vee tsirkulatsioonipump (sanitaarahel)
19	Elektrikütetekeha *1
20	Temperatuuri- ja ülerõhuklapp *1
21	Ülerõhuklapp (10 bar) (STV paak)
22	Tühjenduskraan (STV paak)
23	Tühjenduskraan (sanitaarahel)
24	Pealevoolu temp. termistor (THW1)
25	Tagasivoolu veetemp. termistor (THW2)
26	STV paagi pealmise vee temp. termistor (THW5A)
27	STV paagi alumise vee temp. termistor (THW5B)
28	Külmaaine vedeliku temp. termistor (TH2)
29	Rõhuandur
30	Äravoolumunum
31	Välisseade
32	Äravooloru (lokaalne)
33	Tagasivoolu tõkestusseade (lokaalne)
34	Isolatsiooniklapp (lokaalne)
35	Magnetfilter (lokaalne) (soovituslik)
36	Sõel (lokaalne)
37	Lisa-ülerõhuklapp (lokaalne)
38	Sisselaske kontrollgrupp *1
39	Täitesõlm (kuulakraanid, tagasilöögiklapid ja painduv voolik) *1
40	Joogivee paisupaak *1

* 1 Kaasas AINULT koos Suurbritannia mudelitega.
Lisateavet lisatarvikute kohta saate PAC-WK02UK-E paigaldusjuhendist.

<Tabel 3.5>

Mitsubishi veebisaidilt saate kontrollida teiste seadmete veeringlust ja iga seadme komponente.

- * a Vaadake järgmist jaotist [Lokaalne süsteem].
- * b Ainult E**T20
- * c Ainult E**T30

Märkus

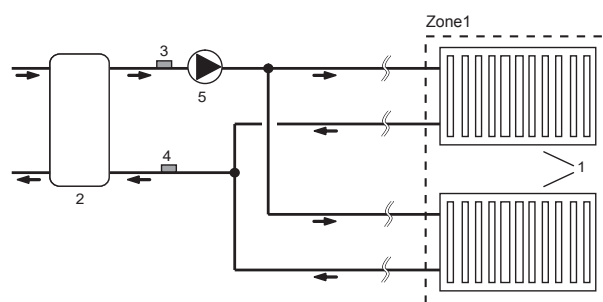
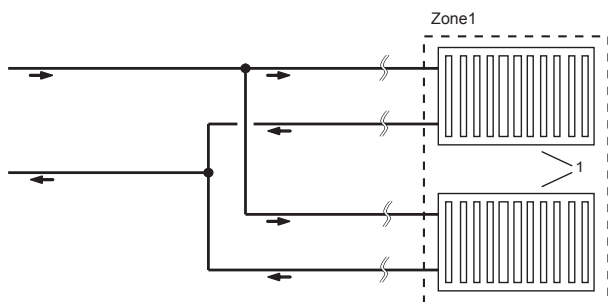
- Silinderseadme tühjendamise võimaldamiseks tuleks isolatsiooniklapp paigaldada nii sisselaske- kui ka väljalasketorustiku külge.
- Paigaldage kindlasti silinderseadme väljalasketorustikule sõel.
- Kõigile kaitseklappidele tuleb kinnitada sobiv tühjendustorustik, järgides riiklikke määrusi.
- Külma vee sisselasketorustikule tuleb paigaldada tagasilöögiklapp. (IEC 61770)
- Kui kasutate erinevatest metallidest valmistatud komponente või ühendustorusid, isoleerige toruliited, et vältida söövitavat reaktsiooni, mis võib torustikku kahjustada.

et

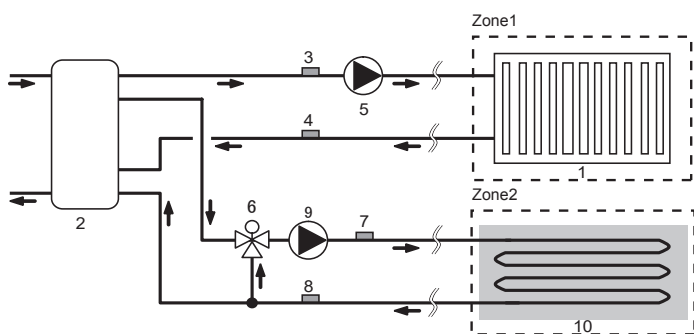
3 Tehniline teave

■ Lokaalne süsteem

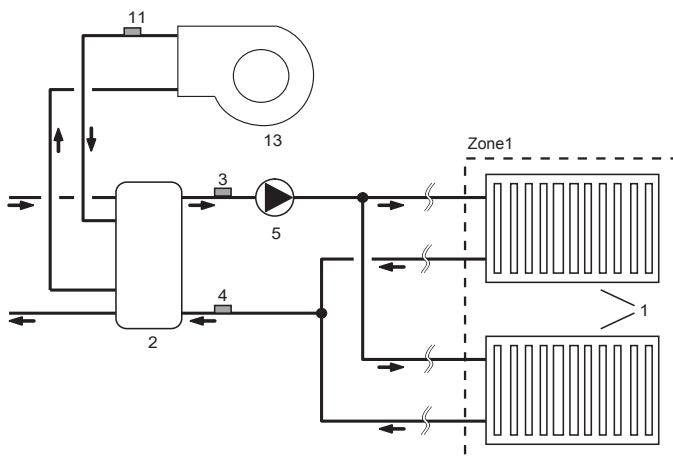
1-tsooniline temperatuurikontroll



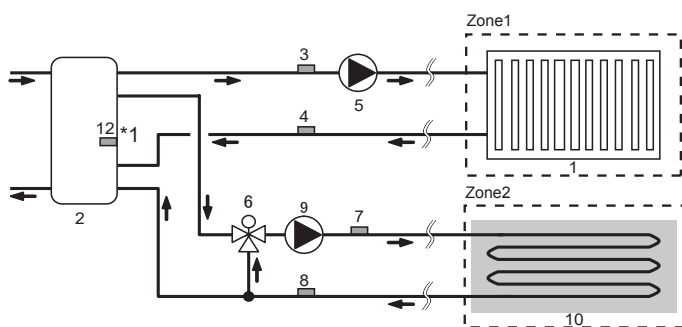
2-tsooniline temperatuurikontroll



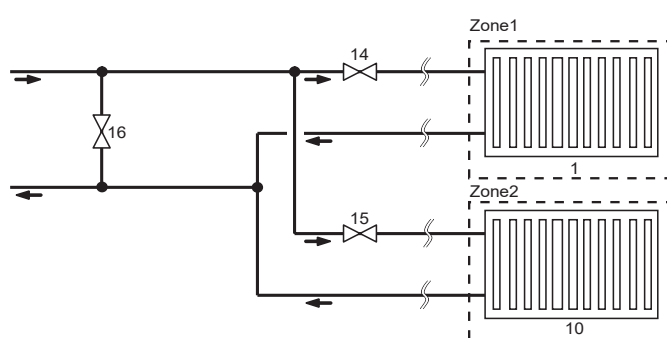
1-tsooniline temperatuurikontroll koos boileriga



2-tsooniline temperatuuri ja puhvripaagi juhtimine



1-tsooniline temperatuurikontroll (2-tsoonilise klapi SEES/VÄLJAS juhtseadis)



1. Zone1 kütteelemendid (nt radiاتور, spiraalventilaator) (müügil eraldi)
2. Segamisaak (müügil eraldi)
3. Zone1 peaveoolu temp. termistor (THW6)
4. Zone1 tagasivooltemperatuuri termistor (THW7) } Lisatarvik: PAC-TH011-E
5. Zone1 vee ringluspump (müügil eraldi) (lokaalne)
6. Mootoriga segamisventiil (müügil eraldi)
7. Zone2 peaveoolu temp. termistor (THW8)
8. Zone2 tagasivooltemperatuuri termistor (THW9) } Lisatarvik: PAC-TH011-E
9. Zone2 vee ringluspump (müügil eraldi) (lokaalne)

10. Zone2 kütteelemendid (nt põrandaküte) (müügil eraldi)
11. Boileri peaveoolu temp. termistor (THWB1)
12. Segisti mahuti termistor (THW10) *1 } Lisatarvik: PAC-TH012HT(L)-E
13. Boiler (lokaalne)
14. Zone1 2-tee ventiil (müügil eraldi) (lokaalne)
15. Zone2 2-tee ventiil (müügil eraldi) (lokaalne)
16. Mõödavoolventiil (müügil eraldi)

*1 AINULT puhvripaagi juhtimine (küte/jahutus) kehtib „Aruka võrgu valmiduse“ kohta.

4 Paigaldamine

<Ettevalmistus enne paigaldamist ja hooldust>

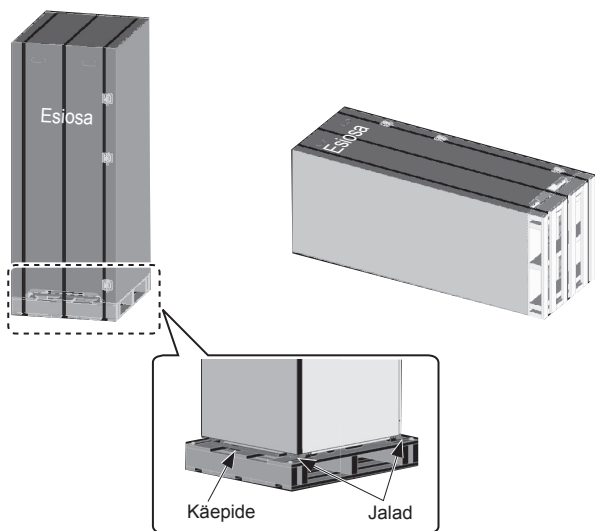
- Valmistage ette sobivad tööriistad.
- Valmistage ette sobiv kaitse.
- Laske osadel enne hooldamist maha jahtuda.
- Tagage piisav ventilatsioon.
- Pärast süsteemi töö lõpetamist lülitage toite kaitselüliti välja ja eemaldage toitejuhe.
- Enne elektriliste osadega seotud töö alustamist tühjendage kondensaator.

<Ettevaatusabinõud hoolduse ajal>

- Ärge tehke elektriliste osadega tööd märgade kätega.
- Ärge valage elektrilistele osadele vett ega vedelikku.
- Ärge katsuge külmaainet.
- Ärge puudutage külmaaine tsükli kuumi ega külmi pindu.
- Kui ahela parandus või kontroll tuleb teha ilma toidet välja lülitamata, siis ÄRGE puudutage TÖÖTAVOID osi.

4.1 Asukoht

■ Transport ja käitlemine



<Joonis 4.1.1>

Silinderseadet transportitakse puidust kaubaalusel ja seda kaitseb papp.

Silinderseadme transportimisel tuleb olla ettevaatlik, et korpus ei saaks löögi tõttu vigastada. Ärge eemaldage kaitsepakendit enne, kui silinderseade on jõudnud lõplikku asukohta. See aitab struktuuri ja juhtpaneeli kaitsta.

- Silinderseadet võib transportida vertikaalselt või horisontaalselt. Horisontaalselt transportides peab paneel, millele on märgitud „Front“, olema suunaga **ÜLES** <joonis 4.1.1>.
- Silinderseadet peab ALATI liigutama vähemalt 3 inimest.
- Silinderseadme kandmisel kasutage sellega kaasas olevaid käepidemeid.
- Enne käepidemete kasutamist veenduge, et need oleks kindlalt kinni.
- Eemaldage eesmine käepide, kinnitusjalad, puitalus ja muu pakend alles siis, kui seade on jõudnud paigaldusasukohale.
- Hoidke käepidemed edaspidiseks transportiks alles.

■ Sobiv asukoht

Silinderseadet tuleks enne paigaldamist hoida külma- ja ilmastikukindlas kohas. Seadmeid **EI TOHI** paigutada üksteise otsa.

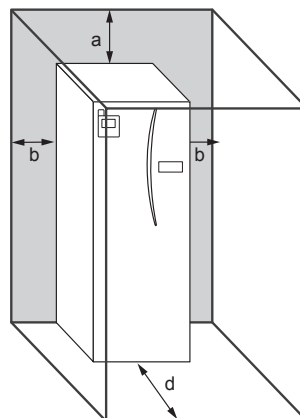
- Silinderseade tuleb paigaldada siseruumi külma- ja ilmastikukindlasse asukohta.
- Paigaldage silinderseade asukohta, kus see ei puutu kokku vee / liigse niiskusega.
- Silinderseade tuleb paigutada tasasele pinnale, mis suudab kanda selle kaalu **TÄIDETUD** olekus. (Seadme tasandamiseks saab kasutada reguleeritavaid jalgu (lisatarvikud))
- Reguleeritavate jalgade kasutamisel veenduge, et põrand oleks piisavalt tugev.
- Tuleb hoolitseda selle eest, et seadme ümber ja ette jäetaks hooldamiseks vajalikud minimaalsed vahemaad <joonis 4.1.2>.
- Kinnitage silinderseade, et vältida selle ümberkukkumist.

■ Hoolduse juurdepääsu skeemid

Hoolduse juurdepääs	
Parameeter	Mõõde (mm)
a	300*
b	150
c (seadmetagune vahemaa pole joonisel 4.1.2 nähtav)	10
d	500

<Tabel 4.1.1>

Väljalasketorustiku paigaldamiseks TULEB jätta piisavalt ruumi, nagu on kirjeldatud riiklikes ja kohalikes ehitusmäärustes.



<Joonis 4.1.2>

Hoolduse juurdepääs

Silinderseade peab asuma siseruumis ja külmakindlas kohas, näiteks majapidamisruumis, et minimeerida ladustatud vee soojuskadu.

■ Ümberpaigutamine

Kui peate silinderseadme uude kohta viima, laske silinderseade enne liigutamist TÄIELIKULT TÜHJAKS, et vältida seadme kahjustamist.

4 Paigaldamine

4.2 Vee kvaliteet ja süsteemi ettevalmistamine

Üldine

- Vesi nii primaar- kui ka sanitaarahelas peab olema puhas ja pH väärtusega 6,5–8,0.
- Alljärgnevalt on välja toodud maksimaalsed väärtused.
 - Kaltsium: 100 mg/L, Ca karedus: 250 mg/L
 - Kloriid: 100 mg/L, Vask: 0,3 mg/L
- Muud koostisosad peavad vastama Euroopa direktiivi 98/83/EÜ standarditele.
- Teadaolevates kareda veega piirkondades on katlakivi ära hoidmiseks / minimeerimiseks kasulik piirata rutiinselt ladustatud vee temperatuuri (STV max temp.) kuni 55°C.

Külmakindel lahus

Külmakindel lahus peab sisaldama propüleenglükooli, mis kuulub kaubanduslike toodete kliinilise toksikoloogia 5. väljaande kohaselt toksilisuse 1. klassi.

Märkus.

- Etüleenglükool on mürgine ja seda EI TOHI joogiveeahela ristsaastumise vältimiseks primaarse veeahelas kasutada.
- Zone2 klapi SEES/VÄLJAS juhtseadises tuleb kasutada propüleenglükooli.

Uus paigaldus (kütteevee põhiahel)

- Enne välisseadme ühendamist puhastage torustik põhjalikult ehitusprahist, jootemetallist jms, kasutades sobivat keemilist puhastusvahendit.
- Loputage süsteem, et keemiline puhastusvahend eemaldada.
- Kõikide pakendatud mudeli süsteemide puhul: lisage torustiku ja süsteemi komponentide kahjustamise vältimiseks kombineeritud inhibiitori ja külmakindla lahust.
- Jagatud mudeli süsteemide puhul peaks vastutav paigaldaja iga paigalduskoha tingimuste kohaselt otsustama, kas antifriis on vajalik. Korrosiooninhibiitorit tuleb ALATI kasutada.

Olemasolev paigaldus (kütteevee põhiahel)

- Enne välisseadme ühendamist TULEB olemasolev kütteeahel keemiliselt puhastada, et eemaldada sealt praht.
- Loputage süsteem, et keemiline puhastusvahend eemaldada.
- Kõikide pakendatud mudeli süsteemide ja ilma Elektriline lisaküteta jagatud mudeli või PUMY süsteemide puhul lisage torustiku ja süsteemi komponentide kahjustamise vältimiseks kombineeritud inhibiitori ja külmakindla lahust.
- Jagatud mudeli süsteemide puhul peaks vastutav paigaldaja iga paigalduskoha tingimuste kohaselt otsustama, kas antifriis on vajalik. Korrosiooninhibiitorit tuleb ALATI kasutada.

Keemiliste puhastite ja inhibiitorite kasutamisel järgige alati tootja juhiseid ja veenduge, et toode sobiks kokku veeahelas kasutatud materjalidega.

Ruumi kütte-/jahutusahelas nõutav minimaalne veekogus

Väline soojuspump	Keskmine/soojem kliima**		Külmem kliima**	
	Siseseade, mis sisaldab vett koguses [L]	* Nõutav lisavee kogus [L]	Siseseade, mis sisaldab vett koguses [L]	* Nõutav lisavee kogus [L]
Pakendatud mudel	PUZ-WM50	2	5	24
	PUZ-WM60	4		29
	PUZ-WM85	7		32
	PUZ-WM112	11		43
	PUZ-HWM140	15		55
Jagatud mudel	SUZ-SWM40	1	5	12
	SUZ-SWM60	2		21
	SUZ-SWM80	4		29
	PUD-S(H)WM60	4		21
	PUD-S(H)WM80	6		29
	PUD-S(H)WM100	9		38
	PUD-S(H)WM120	12		47
	PUD-SHWM140	15		55
	PUHZ-FRP71	6		27
	PUHZ-SW75	6		27
	PUHZ-SW100	9		38
	PUHZ-SW120	12		47
	PUHZ-SHW80	6		29
	PUHZ-SHW112	11		43
	PUHZ-SHW140	15		55
	PUMY-P112	22		75
	PUMY-P125	22		75
PUMY-P140	22	75		

<Tabel 4.2.1>

* Kui on olemas möödavooluahel, tähendab ülaltoodud tabel minimaalset veekogust möödavoolu korral.

** Vt 2009/125/EÜ: energiaga seotud toodete direktiiv ja määrus (EL) nr 813/2013, et kinnitada kliimavõnd.

Juhtum 1. Primaarne ja sekundaarne ahel ei ole eraldatud

- Tagage veetoru ja radiaatori või pörandakütte kaudu nõutav veekogus tabeli 4.2.1 järgi.

Juhtum 2. Eraldatud primaarne ja sekundaarne ahel

- Kui primaarse ja sekundaarse pumba lukustust ei ole võimalik kasutada, siis veenduge, et ainult primaarahelas oleks vajalik lisavesi tabeli 4.2.1 kohaselt.
- Kui primaarse ja sekundaarse pumba lukustust on võimalik kasutada, siis veenduge, et primaarse ja sekundaarse ahela vee koguhulk vastaks tabelile 4.2.1.

Nõutud vee koguse puudumise korral paigaldage puhvermahuti.

4.3 Veetorustiku paigaldamine

Soojaveetorustik

Silinderseade on VENTILEERIMATA. Ventileerimata sooja vee süsteemide paigaldamisel tuleb kinni pidada ehitusmääruse osast G3 (Inglismaa ja Wales), P3 (Šotimaa) ja P5 (Põhja-Iirimaa). Kui olete väljaspool Ühendkuningriiki, järgige oma riigi ventileerimata sooja vee süsteemide eeskirju.

Ühendage STV vool toruga A (joonis 3.1).

Paigalduse ajal tuleb kontrollida järgmiste silinderseadme ohutuskomponentide töökorra, et teha kindlaks kõik kõrvalekalded.

- Ülerõhuklapp (primaarahel ja mahuti)
- Paisupaak enne täitmist (gaasi täiterõhk)

Järgnevat lehekülgedel toodud juhiseid ohutusseadmete sooja vee ohutu väljalaskmise kohta tuleb hoolikalt järgida.

- Torustik võib muutuda väga kuumaks, seega tuleb seda põletuste vältimiseks isoleerida.
- Torustiku ühendamisel veenduge, et torusse ei siseneks ühtegi võõrkeha, näiteks prahti või muud sarnast.

Külmaveetorustik

Sobivale standardile vastav külm vesi (vt jaotist 4.2) tuleb süsteemi ühendada toruga B (joonis 3.1), kasutades sobivaid liitmikke.

Negatiivse rõhu vältimine

Selleks et vältida STV paak mõjutavat negatiivset rõhku, peab paigaldaja paigaldama sobiva torustiku või kasutama sobivaid seadmeid.

Hüdraulilise filtri paigaldus (AINULT E*PT-seeria)

Paigaldage vee sisselaskeavale hüdrauliline filter või sõel (lokaalne) („Toru E“ joonisel 3.1)

Torustiku ühendused

Silinderseadme ühenduste tegemisel tuleks kasutada kas 22 mm või 28 mm surveliitmikke.

STV torude ühendamisel surveliitmikega sisestage torudesse **STV toru vaskvooder** (lisatarvik) ja pingutage need 0,75 pöördele 1,25 pöördele. Ärge pingutage surveliitmikke liiga palju, sest see võib kinnitusrõnga deformeerida ja põhjustada lekete.

Märkus. Enne torude jootmist kaitske silinderseadme torusid, kasutades kuumakaitseks märgasid rätikuid jms.

Torustiku isoleerimine

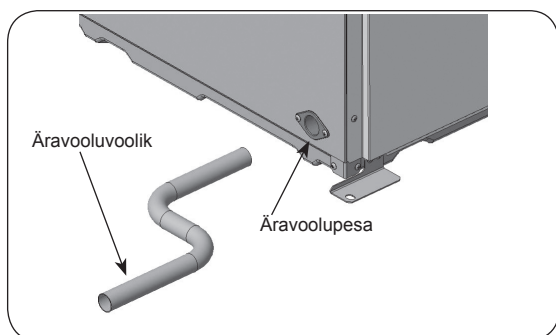
- Kõik kaitsmata veetorud tuleks isoleerida, et vältida ebavajalikku soojuskadu ja kondensatsiooni. Selleks et vältida kondensaadi sisenemist silinderseadmesse, tuleks silinderseadme kohal olevat torustikku ja ühendusi hoolikalt isoleerida.
- Külma- ja soojaveetorustik tuleks seal kus võimalik viia üksteisest eraldi, et vältida tahtmatut soojusülekanne.
- Välise soojuspumba ja silinderseadme vaheline torustik tuleks isoleerida sobiva isoleermaterjaliga, mille soojusjuhtivus on $\leq 0,04$ W/m.K.

4 Paigaldamine

■ Äravoolutorustik (AINULT ER-seeria)

Valikulist osa „äravooluanuma tugi“ ei ole vaja kinnitada, sest äravooluanum on paigaldatud. Äravool tuleb seada seadme taga vasakul asuvas äravoolupesast. Äravoolutoru tuleks paigaldada jahutusrežiimi ajal tekkiva kondensatsioonivee äravooluks.

- Selleks et vältida musta vee kogunemist otse pörandale silinderseadme kõrvale, ühendage silindri äravooluanuma külge sobiv väljalasketorustik.
- Kinnitage äravoolutoru kindlalt, et vältida ühenduse lekkimist.
- Isoleerige äravoolutoru kindlalt, et vältida vee tilkumist lokaalsest äravoolutorust.
- Paigaldage äravoolutoru kaldega 1/100 või rohkem.
- Ärge paigutage äravoolutoru äravoolukanalisse, kus leidub väävelgaasi.
- Pärast paigaldamist veenduge, et äravoolutoru juhiks vee toru väljalaskevast korralikult sobivasse väljalaskekohta.



<Joonis 4.3.1>

<Paigaldamine>

1. Äravoolupesa (sisemine läbimõõt 26 mm) asub silinderseadme taga vasakul pool. (Joonis 4.3.1)
2. Kinnitage äravoolupesasse sobiv äravoolutoru (VP-20) polüvinüülkloriidi tüüpi sideainega.
3. Seadke äravoolutorustik väljalaskeava külge rohkem kui ühe sajandiku kalde all.

Märkus. Toetage kindlalt lokaalset äravoolutoru, et vältida äravoolutoru ärakukkumist äravoolupesast.



■ Paisupaagi suuruse valimine

Paisupaagi maht peab sobima lokaalse süsteemi veemahuga. Kütteahela paisupaagi mõõtmiseks võib kasutada järgmist valemit ja graafikut. Kui vajaliku paisupaagi maht ületab sisseehitatud paisupaagi mahtu, paigaldage lisapaisupaak nii, et paisupaakide mahtude summa ületab vajaliku paisupaagi mahtu.

* Soetage ja paigaldage E**T***-M*ED* mudeli paigaldamiseks sobiv primaarpoole paisupaak ja täiendav 3-baariline ülerõhuklapp, sest sellele mudelile EI OLE primaarpoole paisupaaki paigaldatud.

$$V = \frac{\varepsilon \times G}{1 - \frac{P_1 + 0,098}{P_2 + 0,098}}$$

Kus:

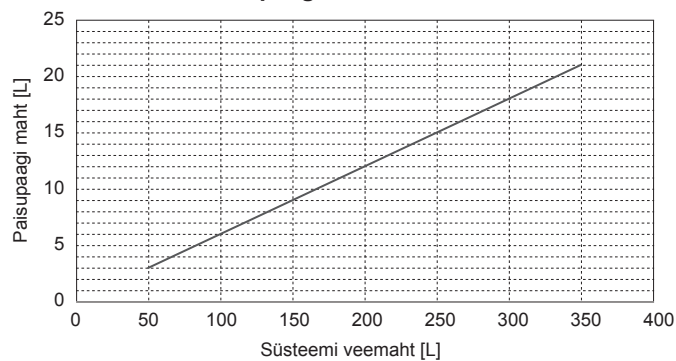
- V : vajalik paisupaagi maht [L]
- ε : vee paisumise koefitsient
- G : vee kogumaht süsteemis [L]
- P_1 : paisupaagi reguleerimisrõhk [MPa]
- P_2 : max rõhk töötamise ajal [MPa]

Parempoolne graafik on järgmiste väärtuste jaoks

- ε : 70°C juures = 0,0229
- P_1 : 0,1 MPa
- P_2 : 0,3 MPa

* Lisatud on 30% kindlusvaru.

Paisupaagi suuruse valimine



<Joonis 4.3.2>

4 Paigaldamine

■ Vee tsirkulatsioonipumba omadused

1. Primaarahel

Pumba kiirust saab valida juhtimispuldi seadistusega (vt <joonis 4.3.3 kuni 4.3.7>). Reguleerige pumba kiiruse seadistust nii, et primaarahela voolukiirus oleks paigaldatava välisseadme jaoks sobiv (vt tabel 4.3.1). Olenevalt primaarahela pikkusest ja kandest võib süsteemi olla vaja paigaldada lisapump. Välisseadme mudeli puhul, mida pole <tabelis 4.3.1> loetletud, lugege vee voolukiiruse vahemike kohta välisseadme andmeraaamatu spetsifikatsioonitabelist.

<Teine pump >

Kui paigaldada on vaja teine pump, lugege järgmised juhiseid hoolikalt. Kui süsteemis kasutatakse teist pumpa, saab seda paigutada kahel viisil. Pumba asend mõjutab seda, millise FTC klemmiga signaalkaabel tuleb ühendada. Kui lisapumba/-pumpade vool on üle 1 A, kasutage sobivat reeled. Pumba signaalkaabel võib olla ühendatud kas TBO.1 1-2 või CNP1-ga, kuid MITTE mõlemaga.

Valik 1 (ainult ruumi küte/jahutus)

Kui teist pumpa kasutatakse ainult kütteahela jaoks, tuleb signaalkaabel ühendada TBO.1 klemmidega 3 ja 4 (OUT2). Selles asendis saab pumpa käitada silinderseadme sisseehitatud pumbaga erineval kiirusel.

Valik 2 (primaarne STV-ahel ja ruumi küte/jahutus)

Kui teist pumpa kasutatakse ainult silinder- ja välisseadme vahelises primaarahelas (AINULT pakendatud süsteem), tuleb signaalkaabel ühendada TBO.1 klemmidega 1 ja 2 (OUT1). Sellises asendis **PEAB** pumba kiirus vastama silinderseadmesse sisseehitatud pumba kiirusele.

Märkus. Vt 5.2 Sisendite/väljundite ühendamine.

	Väline soojuspump	Vee voolukiiruse vahemik [L/min]
Pakendatud mudel	PUZ-WM50	6,5–14,3
	PUZ-WM60	8,6–17,2
	PUZ-WM85	10,8–24,4
	PUZ-WM112	14,4–32,1
	PUZ-HWM140	17,9–36,9
Jagatud mudel	SUZ-SWM40	6,5–11,4
	SUZ-SWM60	7,2–17,2
	SUZ-SWM80	7,8–21,5
	PUD-S(H)WM60	9,0–22,9
	PUD-S(H)WM80	9,0–22,9
	PUD-S(H)WM100	14,3–34,4
	PUD-S(H)WM120	14,3–34,4
	PUD-SHW140	14,3–34,4
	PUHZ-FRP71	11,5–22,9
	PUHZ-SW75	10,2–22,9
	PUHZ-SW100	14,4–32,1
	PUHZ-SW120	20,1–36,9
	PUHZ-SHW80	10,2–22,9
	PUHZ-SHW112	14,4–32,1
	PUHZ-SHW140	17,9–36,9
	PUMY-P112	17,9–35,8
	PUMY-P125	17,9–35,8
PUMY-P140	17,9–35,8	

<Tabel 4.3.1>

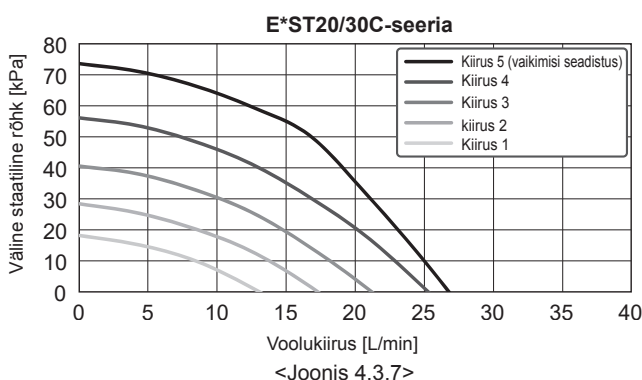
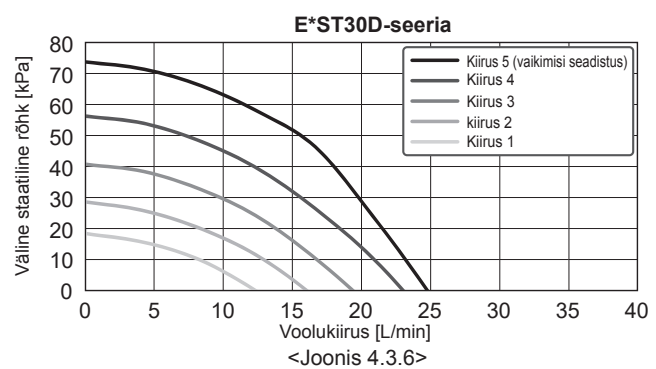
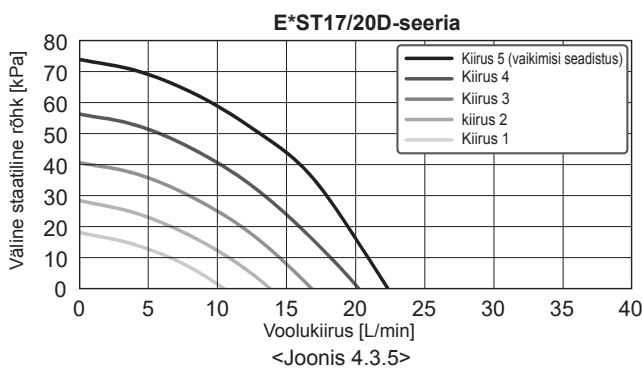
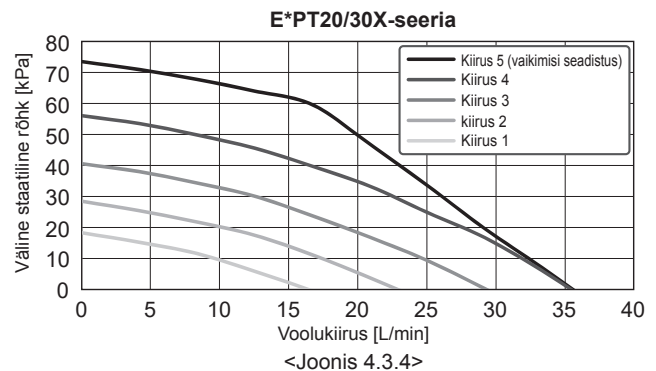
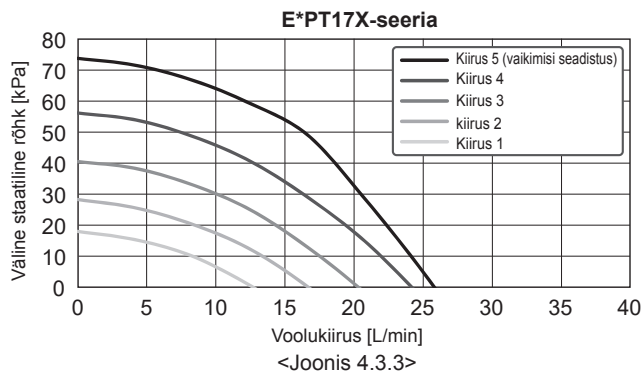
* Kui vee voolukiirus on väiksem kui vooluanduril seadistatud minimaalne voolukiirus (vaikimisi 5,0 L/min), käivitub voolukiiruse häire. Kui vee voolukiirus on üle 36,9 L/min (E**T20/30-seeria) või 25,8 L/min (E**T17-seeria), on voolukiirus üle 2,0 m/s, mis võib torusid uuristada.

2. Sanitaarahel

Vaikimisi seadistus: kiirus 2

Sooja tarbevee tsirkulatsioonipump PEAB olema kiirusel 2.

Vee tsirkulatsioonipumba omadused



*E*PT-seeria paigaldamisel seadke pumba kiirus nii, et silinder- ja välisseadme vaheline rõhulangus oleks välise staatilise rõhu hulka arvestatud.

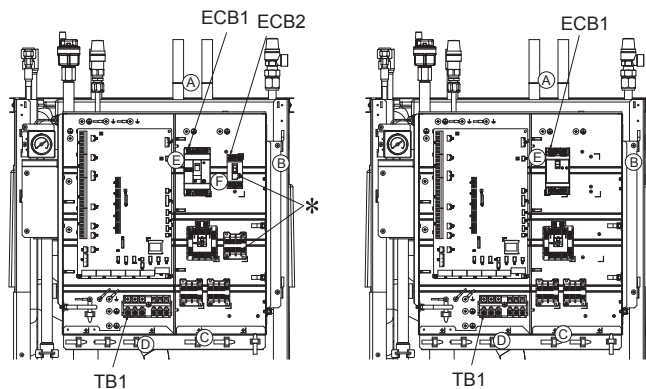
et

4 Paigaldamine

4.4 Elektriühendus

Kõiki elektritöid peab tegema sobiva kvalifikatsiooniga tehnik. Selle juhise eiramine võib lõppeda elektrilöögi, tulekahju või surmaga. See tühistab ka toote garantii. Kõik juhtmestikud peavad vastama riiklikele juhtmestiku eeskirjadele.

Kaitseülilite lühendid	Tähendus
ECB1	Elektriline lisaküte rikkevoolu-kaitseülilite
ECB2	Elektriküttekeha rikkevoolu-kaitseülilite
TB1	Klemmiplokk 1



<1 faas (elektriküttekehaga)>

<3 faas (ilma elektriküttekehata)>

Silinderseadet saab toitega ühendada kahel viisil.

1. Toitekaabel on ühendatud välis- ja silinderseadme vahel.
2. Silinderseadmel on eraldiseisev toiteallikas.

Ühendused tuleb olenevalt faasist teha all vasakul esitatud joonistel näidatud klemmidega.

Lisaküttekeha- ja elektriküttekeha tuleks ühendada üksteisest sõltumatult eraldi toiteallikatega.

- Lokaalsed juhtmed tuleb sisestada läbi silinderseadme peal asuvate sisselaskeavade. (Vt <Tabel 3.4>.)
- Juhtmed tuleb juhtida juhtimis- ja elektrkarbi paremale küljele ja kinnitada kaasasolevate klambritega.
- Juhtmed tuleb paigaldada eraldi kaabli sisselaskeavadesse, nagu allpool näidatud.
 - Väljundite juhe
 - Sise-/välisruumi juhe
 - Toiteliin(B.H.)/ Toiteliin(I.H.)(valikuline)
 - Signaali sisendjuhtmed
- Ühendage välis- ja silinderseadme ühenduskaabel TB1-ga.
- Ühendage elektriline lisaküte toitekaabel ECB1-ga.
- Kui elektriküttekeha on olemas, ühendage toitekaabel ECB2-ga.



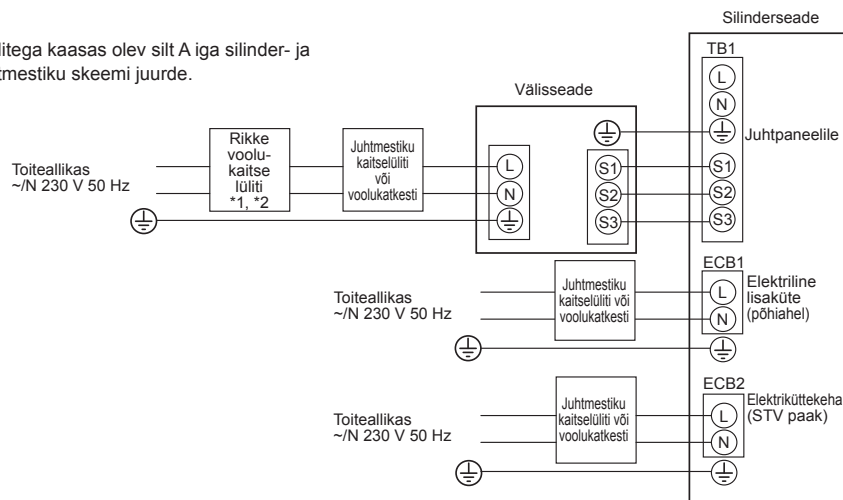
- Vältige juhtmete ja osade kokkupuudet (*).
- Veenduge, et ECB1 ja ECB2 oleks SEES.
- Kaabeldamise lõppedes veenduge, et juhtimispldi kaabel oleks ühendatud releekonnectoriga.

Välisseadme abil töötav silinderseade

(Kui soovite kasutada eraldiseisvat allikat, minge Mitsubishi kodulehele.)

<1 faas>

Kinnitage juhenditega kaasas olev silt A iga silinder- ja välisseadme juhtmestiku skeemi juurde.



- * 1. Kui paigaldatud rikkevoolu-kaitseülilite ei ole ülevoolukaitsefunktsiooni, paigaldage samale toiteliinile lüliti, millel on see funktsioon olemas.
- * 2. Kasutada tuleb lüliti, mille mõlema pooluse kontaktide eraldus on vähemalt 3,0 mm. Kasutage rikkevoolu-kaitseülilite (NV). Lüliti peab olema, et tagada toiteallika kõigi aktiivsete faasijuhtmete lahtiühendamine.
- * 3. Max 45 m
Kui kasutatud on 2,5 mm², max 50 m
Kui kasutatud on 2,5 mm² ja S3 on eraldatud, max 80 m
- * 4. Ülaltoodud tabelis märgitud väärtused ei ole alati maapinna väärtuse suhtes mõõdetud.

<Joonis 4.4.1>
Elektriühendused 1 faas

Kirjeldus	Toiteallikas	Töömaht	Kaitse	Lisaküttekeha
Elektriline lisaküte (põhiahel)	~N 230 V 50 Hz	2 kW	16 A *2	2,5 mm ²
		6 kW	32 A *2	6,0 mm ²
Elektriküttekeha (STV paak)	~N 230 V 50 Hz	3 kW	16 A *2	2,5 mm ²

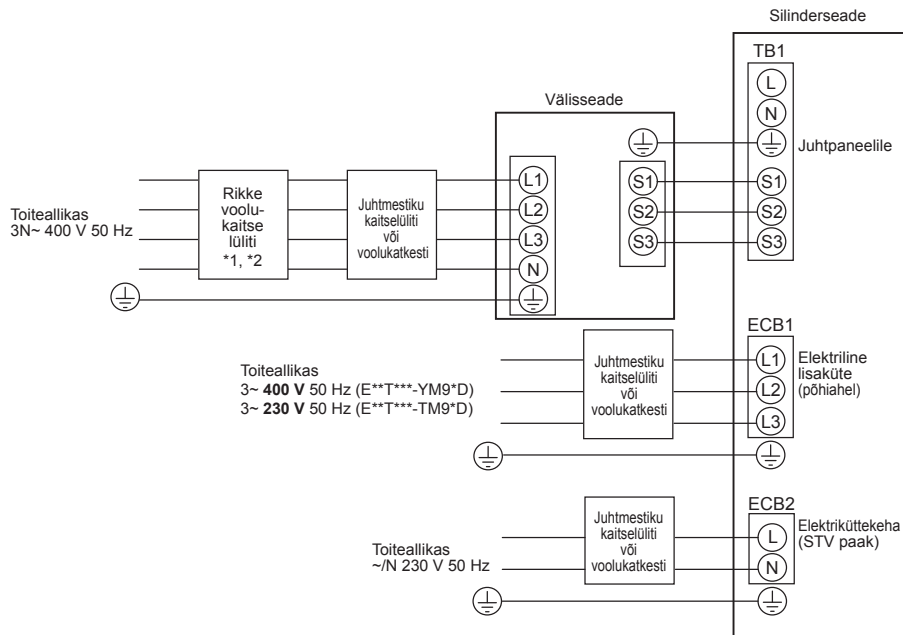
Juhtmestik Juhtmestik nr x suurus (mm ²)	Silinderseade – välisseade	*3	3 × 1,5 (polaarne)
	Silinderseade – välisseade maandus	*3	1 × min 1,5
Ahela hinnaang	Silinderseade – välisseade S1 – S2	*4	230 V AC
	Silinderseade – välisseade S2 – S3	*4	24 V DC

- Märkus.**
1. Juhtmestiku suurus peab vastama asjakohastele kohalikele ja riiklikele koodeksitele.
 2. Sise-/välisseadet ühendavad juhtmed ei tohi olla kergemad kui polükloropreeniga kaetud painduv juhtmestik. (Disain 60245 IEC 57)
Sisseadme toiteallika juhtmestik ei tohi olla kergem kui polükloropreeniga kaetud painduv juhtmestik. (Disain 60227 IEC 53)
 3. Paigaldage maandus, mis on pikem kui teised juhtmed.
 4. Hoidke iga kütteseadme jaoks piisavalt väljundvõimsust. Ebapiisav toitevõimsus võib tekitada värinat.

4 Paigaldamine

<3 faasi>

Kinnitage juhenditega kaasas olev siit A iga silinder- ja välisseadme juhtmestiku skeemi juurde.



<Joonis 4.4.2>
Elektriühendused 3 faasi

Kirjeldus	Toiteallikas	Töömaht (siseseadme külmaaine)	Kaitse	Lisaküttekeha
Elektriline lisaküte (põhiahel)	3~ 400 V 50 Hz	9 kW	16 A *2	2,5 mm ²
	3~ 230 V 50 Hz	9 kW	32 A *2	6,0 mm ²
Elektriküttekeha (STV paak)	~N 230 V 50 Hz	3 kW	16 A *2	2,5 mm ²

Juhtmestik Juhtmestik nr x suurus (mm ²)	Silinderseade – välisseade	*3	3 x 1,5 (polaarne)
	Silinderseade – välisseade maandus	*3	1 x min 1,5
Aheala hinnang	Silinderseade – välisseade S1 – S2	*4	230 V AC
	Silinderseade – välisseade S2 – S3	*4	24 V DC

* 1. Kui paigaldatud rikkevoolu-kaitselülitil ei ole ülevoolukaitsefunktsiooni, paigaldage samale toiteliinile lülitit, millel on see funktsioon olemas.

* 2. Kasutada tuleb lülitit, mille mõlema pooluse kontaktide eraldus on vähemalt 3,0 mm. Kasutage rikkevoolu-kaitselülitit (NV). Lülitit peab olema, et tagada toitepinge kõigi aktiivsete faaside lahtiühendamine.

* 3. Max 45 m

Kui kasutatud on 2,5 mm², max 50 m

Kui kasutatud on 2,5 mm² ja S3 on eraldatud, max 80 m

* 4. Ülaltoodud tabelis märgitud väärtused ei ole alati maapinna väärtuse suhtes mõõdetud.

Märkus. 1. Juhtmestiku suurus peab vastama asjakohastele kohalikele ja riiklikele koodeksitele.

2. Sise-/välisseadet ühendavad juhtmed ei tohi olla kergemad kui polükloropreeniga kaetud painduv juhtmestik. (Disain 60245 IEC 57) Siseaseadme toiteallika juhtmestik ei tohi olla kergem kui polükloropreeniga kaetud painduv juhtmestik. (Disain 60227 IEC 53)

3. Paigaldage maandus, mis on pikem kui teised juhtmed.

4. Hoidke iga kütteseadme jaoks piisavalt väljundvõimsust. Ebapiisav toitevõimsus võib tekitada värinat.

5 Süsteemi seadistus

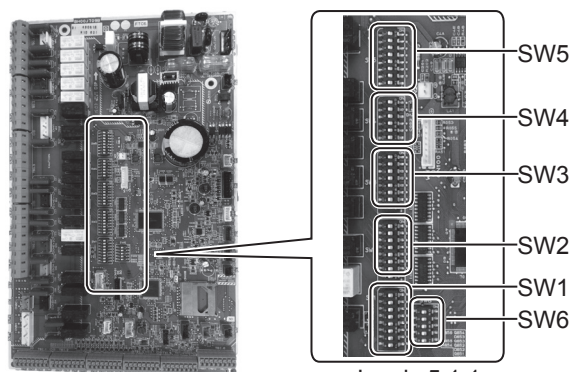
5.1 DIP-lüliti funktsioonid

DIP-lüliti number on prinditud trükkplaadile asjakohaste lülitite kõrvale. Trükkplaadile ja DIP-lüliti plokile on prinditud sõna ON (SEES). Lüliti liigutamiseks peate kasutama nõela või õhukese metallist joonlaua või muu sarnase eseme nurka.

DIP-lüliti seadistused on loetletud alltoodud tabelis 5.1.1.

Ainult autoriseeritud paigaldaja saab DIP-lüliti seadistust enda vastutusel paigaldustingimuste kohaselt muuta.

Lülitage nii sise- kui ka välisseadme toiteallikas enne lüliti seadistuste muutmist välja.



<Joonis 5.1.1>

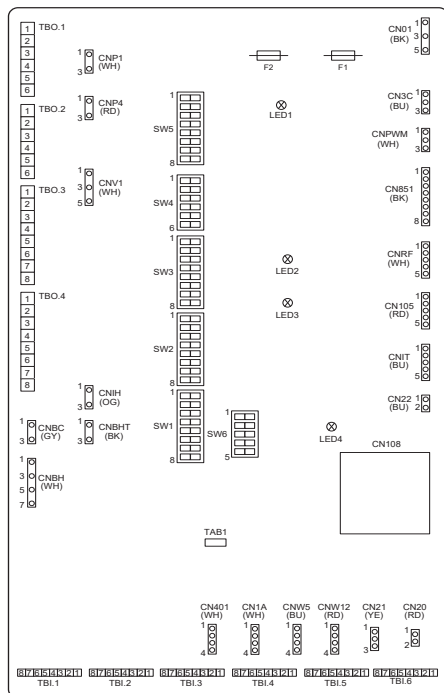
DIP-lüliti	Funktsioon	VÄLJAS	SEES	Vaikimisi seadistused: Siseseadme mudel				
SW1	SW1-1 Boiler	ILMA boilerita	KOOS boileriga	VÄLJAS				
	SW1-2 Soojuspumba väljalaskevee maksimaalne temperatuur	55°C	60°C	SEES *1				
	SW1-3 STV paak	ILMA STV paak	KOOS STV paak	SEES				
	SW1-4 Elektriküttekeha	ILMA elektriküttekehata	KOOS elektriküttekehaga	VÄLJAS: Välja arvatud EHPT20X-MHEDW SEES: EHPT20X-MHEDW				
	SW1-5 Elektriline lisaküte	ILMA elektriline lisaküteta	KOOS elektriline lisaküttega	VÄLJAS: E**T***-M*ED* SEES: E**T***-M 2/6/9*D				
	SW1-6 Elektriline lisaküte funktsioon	Ainult kütte jaoks	Kütte ja sooja tarbevee jaoks	VÄLJAS: E**T***-M*ED* SEES: E**T***-M 2/6/9*D				
	SW1-7 Välisseadme tüüp	Jagatud tüüp	Pakendatud tüüp	VÄLJAS: E*ST***-M**D* SEES: E*PT**X-*M**D*				
	SW1-8 Juhtmevaba kaugjuhtimispuult	ILMA juhtmevaba kaugjuhtimispuuldita	KOOS juhtmevaba kaugjuhtimispuuldiga	VÄLJAS				
SW2	SW2-1 Ruumi termostaadi 1 sisendi (IN1) loogika muutus	Zone1 töö lõpetamine termostaadi puudumisel	Zone1 töö lõpetamine termostaadi puudumisel	VÄLJAS				
	SW2-2 Voolulüliti 1 sisendi (IN2) loogika muutus	Tõrke tuvastamine puudumisel	Tõrke tuvastamine avamisel	VÄLJAS				
	SW2-3 Elektriline lisaküte võimsuse piirang	Inaktiivne	Aktiivne	VÄLJAS: Välja arvatud E**T***-VM2*D SEES: E**T***-VM2*D				
	SW2-4 Jahutusrežiimi funktsioon	Inaktiivne	Aktiivne	VÄLJAS: EH*T***-M**D* SEES: ER*T***-M**D				
	SW2-5 Automaatne lüliti lisaküteallika kasutamiseks (kui välisseade peatub tõrke tõttu)	Inaktiivne	Aktiivne *2	VÄLJAS				
	SW2-6 Segisti mahuti	ILMA segisti mahutita	KOOS segisti mahutiga	VÄLJAS				
	SW2-7 2-tsooniline temperatuurikontroll	Inaktiivne	Aktiivne *6	VÄLJAS				
	SW2-8 Vooluandur	ILMA vooluandurita	KOOS vooluanduriga	SEES				
SW3	SW3-1 Ruumi termostaadi 2 sisendi (IN6) loogika muutus	Zone2 töö lõpetamine termostaadi puudumisel	Zone2 töö lõpetamine termostaadi avamisel	VÄLJAS				
	SW3-2 Voolulüliti 2 ja 3 sisendi loogika muutus	Tõrke tuvastamine puudumisel	Tõrke tuvastamine avamisel	VÄLJAS				
	SW3-3 3-suunalise klapi tüüp	Vahelduvvoolumootor	Samm-mootor	VÄLJAS: Välja arvatud E**T17X/17D/20D-*M**D* SEES: E**T17X/17D/20D-*M**D				
	SW3-4 Elektrienergia arvesti	ILMA elektrienergia arvestita	KOOS elektrienergia arvestiga	VÄLJAS				
	SW3-5 Kütterežiimi funktsioon *3	Inaktiivne	Aktiivne	SEES				
	SW3-6 2-tsoonilise klapi SEES/VÄLJAS juhtseadis	Inaktiivne	Aktiivne	VÄLJAS				
	SW3-7 Sooja tarbevee soojusvaheti	Mahuti spiraal	Väline plaat HEX	SEES				
	SW3-8 Soojusarvesti	ILMA soojusarvestita	KOOS soojusarvestiga	VÄLJAS				
SW4	SW4-1	—	—	VÄLJAS				
	SW4-2	—	—	VÄLJAS				
	SW4-3	—	—	VÄLJAS				
	SW4-4 Ainult siseseadme töötamine (paigaldustööde ajal) *4	Inaktiivne	Aktiivne	VÄLJAS				
	SW4-5 Hädaabirežiim (ainult kuumuti töötamine)	Tavaline	Hädaabirežiim (ainult kuumuti töötamine)	VÄLJAS *5				
	SW4-6 Hädaabirežiim (boileri töötamine)	Tavaline	Hädaabirežiim (boileri töötamine)	VÄLJAS *5				
SW5	SW5-1	—	—	VÄLJAS				
	SW5-2 Täiustatud automaatne kohandamine	Inaktiivne	Aktiivne	SEES				
	SW5-3	Võimsuse kood						
	SW5-4		SW5-3	SW5-4	SW5-5	SW5-6	SW5-7	
	SW5-5	E**T**C-*M**D	SEES	SEES	SEES	SEES	VÄLJAS	
	SW5-6	E**T**D-*M**D	SEES	VÄLJAS	VÄLJAS	SEES	VÄLJAS	
	SW5-7	E**T**X-*M**D*	VÄLJAS	VÄLJAS	VÄLJAS	VÄLJAS	VÄLJAS	
	SW5-8	—	—	—	—	—	VÄLJAS	
SW6	SW6-1	—	—	VÄLJAS				
	SW6-2	—	—	VÄLJAS				
	SW6-3 Rõhuandur	Inaktiivne	Aktiivne	VÄLJAS: Välja arvatud E*ST**D-*M**D SEES: E*ST**D-*M**D				
	SW6-4 Analoogväljundi signaal (0–10 V)	Inaktiivne	Aktiivne	VÄLJAS				
	SW6-5	—	—	—	VÄLJAS			

<Tabel 5.1.1>

- Märkus.
- * 1. Kui silinderseade on ühendatud välisseadmega PUMY-P, mille väljalaskevee maksimaalne temperatuur on 55°C, tuleb DIP SW1-2 lülitada asendisse VÄLJAS.
 - * 2. Väline väljund (OUT11) on saadaval. Ohutuse tagamiseks ei ole see funktsioon tõrgete korral saadaval. (Sellisel juhul tuleb süsteemi töö peatada ja ainult vee tsirkulatsioonipump tööle jätta.)
 - * 3. See lüliti töötab ainult siis, kui silinderseade on ühendatud välisseadmega PUHZ-FRP. Kui ühendatud on teist tüüpi välisseade, on kütterežiim aktiivne, olenemata sellest, kas lüliti on SEES või VÄLJAS.
 - * 4. Ruumi kütet ja sooja tarbevett saab toota ainult siseseadmes nagu elektrikumuti. (Vt „5.4 Ainult siseseadme töötamine“.)
 - * 5. Kui hädaabirežiim pole rohkem vajalik, viige lüliti tagasi VÄLJAS-asendisse.
 - * 6. Aktiivne ainult siis, kui SW3-6 on VÄLJAS.

5 Süsteemi seadistus

5.2 Sisendite/väljundite ühendamine



<Joonis 5.2.1>

Kaablite tehnilised andmed ja eraldi müüdadavad

Üksus	Nimi	Mudel ja tehnilised andmed
Signaalsisendi funktsioon	Signaalsisendi juhe	Kasutage vinüüluga kaetud manteljuhet või -kaablit. Max 30 m Juhtme tüüp: CV, CVS või võrdväärne Juhtme suurus: Keerutatud juhe 0,13 mm ² kuni 0,52 mm ² Täisjuhe: ø0,4 mm kuni ø0,8 mm
	Lüliti	pingeta „a“-kontakti signaalid Kauglüliti: minimaalne kohaldatav koormus 12 V DC, 1 mA

Märkus.
Kiudkaablit tuleb kasutada isolatsiooniga kaetud klemmiga (DIN46228-4 standardne ühilduv tüüp).

■ Signaalsisendid

Nimi	Klemmliist	Liitmik	Üksus	VÄLJAS (Avatud)	SEES (Puudu)
IN1	TBI.1 7-8	—	Ruumi termostaadi 1 sisend *1	SW2-1 kohta lugege jaotisest <5.1 DIP-lüliti funktsioonid>.	
IN2	TBI.1 5-6	—	Voolulüliti 1 sisend	SW2-2 kohta lugege jaotisest <5.1 DIP-lüliti funktsioonid>.	
IN3	TBI.1 3-4	—	Voolulüliti 2 sisend (Zone1)	SW3-2 kohta lugege jaotisest <5.1 DIP-lüliti funktsioonid>.	
IN4	TBI.1 1-2	—	Juhtseadise sisend	Tavaline	Kütteallikas VÄLJAS/boileri töö *3
IN5	TBI.2 7-8	—	Välise termostaadi sisend *2	Standardne töö	Kuumuti töö / boileri töö *3
IN6	TBI.2 5-6	—	Ruumi termostaadi 2 sisend *1	SW3-1 kohta lugege jaotisest <5.1 DIP-lüliti funktsioonid>.	
IN7	TBI.2 3-4	—	Voolulüliti 3 sisend (Zone2)	SW3-2 kohta lugege jaotisest <5.1 DIP-lüliti funktsioonid>.	
IN8	TBI.3 7-8	—	Elektrienergia arvesti 1	*4	
IN9	TBI.3 5-6	—	Elektrienergia arvesti 2		
IN10	TBI.2 1-2	—	Soojusarvesti		
IN11	TBI.3 3-4	—	Aruka võrgu valmiduse sisend	*5	
IN12	TBI.3 1-2	—			
INA1	TBI.4 1-3	CN1A	Vooluandur	—	—

* 1. Seadke ruumi termostaadi SEES/VÄLJAS-tsükli aeg 10 minutit kauemaks, sest muidu võib kompressor saada kahjustusi.

* 2. Kui välistermostaati kasutatakse kütteseadme töö juhtimiseks, võib kütteseadme ja seotud osade tööaeg lüheneda.

* 3. Boileri sisselülitamiseks valige hooldusmenüü ekraanilt „External input setting“ (välise sisendi seadistus) juhtimispuuldiga „Boiler“.

* 4. Ühendatav elektrienergia arvesti ja soojusarvesti

- Impulsi tüüp FTC pingevaba kontakt 12 V alalisvoolu tuvastamiseks (TBI.2 1, TBI.3 5 ja 7 tihvtil on positiivne pinge).
- Impulsi kestus Minimaalne SEES-aeg: 40 ms
Minimaalne VÄLJAS-aeg: 100 ms
- Võimalik impulsi ühik 0,1 impulss/kWh 1 impulss/kWh 10 impulss/kWh
100 impulss/kWh 1000 impulss/kWh

Neid väärtuseid saab seada juhtimispuuldiga. (Vt menüüpuud jaotisest „Juhtimispuult“.)

* 5. Aruka võrgu valmidust vt jaotisest „5.1.6 Nutika võrgu valmidus“.

■ Termistori sisendid

Nimi	Klemmliist	Liitmik	Üksus	Lisatarviku mudel
TH1	—	CN20	Termistor (ruumitemp.) (lisa)	PAC-SE41TS-E
TH2	—	CN21	Termistor (külmaaine vedeliku temp.)	—
THW1	—	CNW12 1-2	Termistor (pealevoolu temp.)	—
THW2	—	CNW12 3-4	Termistor (tagasivoolu veetemp.)	—
THW5A	—	CNW5 1-2	Termistor (STV paak pealmise vee temp.)	—
THW5B	—	CNW5 3-4	Termistor (STV paak alumise vee temp.)	—
THW6	TBI.5 7-8	—	Termistor (Zone 1 pealevoolu temp.) (lisa) *1	PAC-TH011-E
THW7	TBI.5 5-6	—	Termistor (Zone 1 tagasivoolu veetemp.) (lisa) *1	
THW8	TBI.5 3-4	—	Termistor (Zone 2 pealevoolu temp.) (lisa) *1	PAC-TH011-E
THW9	TBI.5 1-2	—	Termistor (Zone 2 tagasivoolu veetemp.) (lisa) *1	
THWB1	TBI.6 7-8	—	Termistor (boileri veevoolu temp.) (lisa) *1	PAC-TH012HT-E(5 m)/
THW10	TBI.6 5-6	—	Termistor (segisti mahuti veetemp.) (lisa) *1	PAC-TH012HTL-E(30 m)

Viige termistori juhtmed toiteliinist ja/või OUT1 kuni 16 juhtmetest eemale.

* 1. Termistorikaablite maksimaalne pikkus on 30 m.

Lisa termistoride pikkus on 5 m. Kui peate kaablid lõikama või pikendama, tuleb järgida järgmisi punkte.

1) Ühendage kaablid juhtimise abil.

2) Isoleerige iga ühenduspunkt tolmu ja vee suhtes. Keerutatud juhet tuleks töödelda koos isolatsiooniga kaetud klemmiga (DIN46228-4 standardne ühilduv tüüp).

5 Süsteemi seadistus

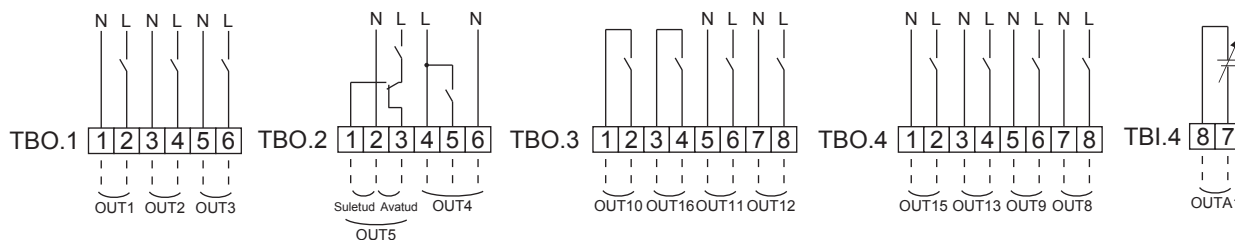
Väljundid

Nimi	Klemmliist	Liitmik	Üksus	VÄLJAS	SEES	Signaal / max vool	Max koguvool
OUT1	TBO.1 1-2	CNP1	Vee tsirkulatsioonipumba 1 väljund (ruumi küte/jahutus ja STV)	VÄLJAS	SEES	230 V AC 1,0 A max (Tõukevool 40 A max)	4,0 A (a)
OUT2	TBO.1 3-4	—	Vee tsirkulatsioonipumba 2 väljund (Zone1 ruumi küte/jahutus)	VÄLJAS	SEES	230 V AC 1,0 A max (Tõukevool 40 A max)	
OUT3	TBO.1 5-6	—	Vee tsirkulatsioonipumba 3 väljund (Zone2 ruumi küte/jahutus) *1 2-tee ventiili 2b väljund *2	VÄLJAS	SEES	230 V AC 1,0 A max (Tõukevool 40 A max)	
OUT14	—	CNP4	Vee tsirkulatsioonipumba 4 väljund (STV)	VÄLJAS	SEES	230 V AC 1,0 A max (Tõukevool 40 A max)	
OUT4	TBO.2 4-6	CNV1	3-tee ventiili (2-tee ventiili) väljund	Küte	STV	230 V AC 0,1 A max	3,0 A (b)
	—	CN851	3-tee ventiili väljund				
OUT5	TBO.2 1-2 TBO.2 2-3	—	Segistklapi väljund *1	Stopp	Suletud Avatud	230 V AC 0,1 A max	
OUT6	—	CNBH 1-3	Elektriline lisaküte 1 väljund	VÄLJAS	SEES	230 V AC 0,5 A max (relee)	
OUT7	—	CNBH 5-7	Elektriline lisaküte 2 väljund	VÄLJAS	SEES	230 V AC 0,5 A max (relee)	
OUT8	TBO.4 7-8	—	Jahutussignaali väljund	VÄLJAS	SEES	230 V AC 0,5 A max	
OUT9	TBO.4 5-6	CNIH	Elektrikütetekeha väljund	VÄLJAS	SEES	230 V AC 0,5 A max (relee)	
OUT11	TBO.3 5-6	—	Tõrkeväljund	Tavaline	Tõrge	230 V AC 0,5 A max	
OUT12	TBO.3 7-8	—	Sulatusväljund	Tavaline	Sulatamine	230 V AC 0,5 A max	
OUT13	TBO.4 3-4	—	2-tee ventiili 2a väljund *2	VÄLJAS	SEES	230 V AC 0,1 A max	
OUT15	TBO.4 1-2	—	Arvuti SEES signaal	VÄLJAS	SEES	230 V AC 0,5 A max	
OUT10	TBO.3 1-2	—	Boileri väljund	VÄLJAS	SEES	pingeta kontakt ·220 - 240 V AC (30 V DC) ·0,5 A või vähem ·10 mA 5 V DC või rohkem	
OUT16	TBO.3 3-4	—	Signaal „kütte/jahutuse termo SEES“	VÄLJAS	SEES		
OUTA1	TBI.4 7-8	—	Analoogväljund		0 - 10 V	0 - 10 V DC 5 mA max	—

Ärge ühendage klemmidega, mis on väljal Terminal block tähis „—“.

* 1 2-tsoonilise temperatuurikontrolli jaoks.

* 2 2-tsoonilise klapi SEES/VÄLJAS juhtseadise jaoks.



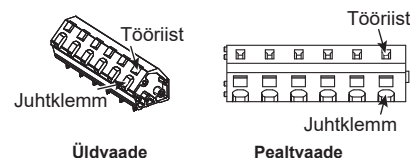
Kaablite tehnilised andmed ja eraldi müüdavad osad

Üksus	Nimi	Mudel ja spetsifikatsioonid
Välise väljundi funktsioon	Väljundkaabel	Kasutage vinüüluga kaetud manteljuhet või -kaablit. Max 30 m Kaabli tüüp: CV, CVS või võrdväärne Kaabli suurus: Kiudkaabel 0,25 mm ² kuni 1,5 mm ² Jõukaabel: ø0,57 mm kuni ø1,2 mm

Märkus.

- Kui silinderseade töötab välisseadme abil, on (a) + (b) maksimaalne koguvool 3,0 A.
- Ärge ühendage mitut vee tsirkulatsioonipumpa otse igasse väljundisse (OUT1, OUT2 ja OUT3). Sellisel juhul ühendage need relee(de) kaudu.
- Ärge ühendage vee tsirkulatsioonipumpa samal ajal nii TBO.1 1-2 kui ka CNP1-ga.
- Ühendage väljundiga OUT10 (TBO.3 1-2) kohapealse koormusega sobiv ülepingekaitse.
- Keerutatud juhet tuleks töödelda koos isolatsiooniga kaetud klemmiga (DIN46228-4 standardne ühilduv tüüp).
- Kasutage sama mis OUTA1 juhtmestiku signaalsisendi kaabli puhul.

Kuidas kasutada TBO.1 kuni TBO.4



Ühendage need ühel üleval näidatud viisil.
<Joonis 5.2.2>

5.3 2-tsoonilise temperatuurikontrolli juhtmestik

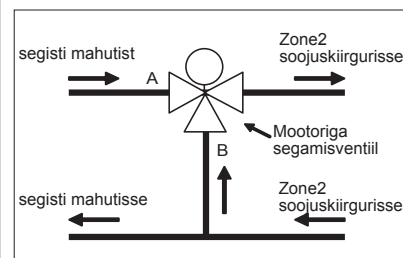
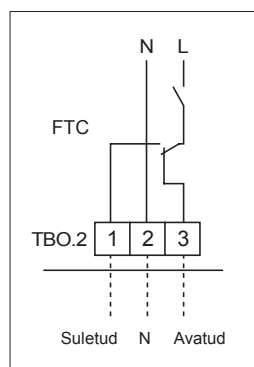
Ühendage torustik ja lokaalsed osad vastavalt juhendi jaotises 3 „Lokaalne süsteem“ esitatud asjaomase ahelaskeemi järgi.

<Segistklapp>

Ühendage signaalliin, et avada Ava A (sooja vee sisselaskeava) TBO. 2-3 (Avatud) suunas, signaalliin, et avada Ava B (külma vee sisselaskeava) TBO. 2-1 (Suletud) suunas ja neutraalne klemmliin TBO. 2-2 (N) suunas.

<Termistor>

- Ärge paigaldage termistore segisti mahutile.
 - Paigaldage Zone2 voolutemp. termistor (THW8) segistklapi lähedusse.
 - Termistori juhtme maksimaalne pikkus on 30 m.
 - Valikuliste termistoride pikkus on 5 m. Kui peate
- Kui peate kaableid liitma ja pikendama, tuleb järgida järgmisi punkte.
- Ühendage kaableid jootmise abil.
 - Isoleerige iga ühenduspunkt tolmu ja vee suhtes.



et

5 Süsteemi seadistus

5.4 Ainult siseseadme töötamine (paigaldustööde ajal)

Juhul kui enne välisseadme paigaldamist on vaja käivitada STV või kütterežiim, nt paigaldustööde ajal, võib selleks kasutada siseseadme elektrisoojendit (1*).

* 1 Ainult elektrisoojendiga mudel.

1. Töö alustamiseks

- kontrollige, kas siseseadme toiteallikas on VÄLJAS, ning lülitage DIP-lüliti 4-4 ja 4-5 asendisse SEES.
- lülitage siseseadme toiteallikas asendisse SEES.

2. Töö lõpetamiseks *2

- lülitage siseseadme toiteallikas asendisse VÄLJAS.
- lülitage DIP-lüliti 4-4 ja 4-5 asendisse VÄLJAS.

* 2 Kui ainult siseseadme töö on lõppenud, kontrollige seadistused pärast välisseadme ühendamist üle.

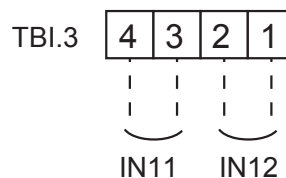
Märkus.

Selle töö pikaajaline kestus võib mõjutada elektrisoojendi tööiga.

5.5 Aruka võrgu valmidus

STV või kütterežiimis saab kasutada alltoodud tabelis esitatud käsklusi.

IN11	IN12	Tähendus
VÄLJAS (avatud)	VÄLJAS (avatud)	Tavaline töö
SEES (puudu)	VÄLJAS (avatud)	Sisselülitamise soovitus
VÄLJAS (avatud)	SEES (puudu)	Väljalülitamise käsklus
SEES (puudu)	SEES (puudu)	Sisselülitamise käsklus



5.6 SD-mälukaardi kasutamine

Silinderseadme FTC-I on SD-mälukaardi liides.

SD-mälukaardi kasutamisega saab lihtsustada juhtimispldi seadistusi ja salvestada toimingulogisid. *1

* 1 Juhtimispldi seadete muutmiseks või tegevusandmete kontrollimiseks on vaja Ecodani hooldustööriista (koos arvutiga kasutamiseks).

<Ettevaatusabinõud>

- (1) Kasutage SD-mälukaarti, mis vastab SD standarditele. Veenduge, et SD-mälukaardil oleks paremal pool esitatud logo.
- (2) SD-standarditele vastavate SD-mälukaartide hulka kuuluvad SD-, SDHC-, mini SD-, micro SD- ja micro SDHC-mälukaardid. Saadaval on kuni 32 GB mahuga mälukaardid. Valige selline mälukaart, mille maksimaalne lubatud temperatuur on 55°C.
- (3) Kui SD-mälukaart on mini SD-, mini SDHC-, micro SD- või micro SDHC-mälukaart, kasutage SD-mälukaardi konverteradapтерit.
- (4) Enne SD-mälukaardile kirjutamist vabastage kirjutuskaitselüüti.



- (5) Enne SD-mälukaardi sisestamist või väljutamist lülitage kindlasti süsteem välja. Kui SD-mälukaart sisestatakse või väljutatakse enne süsteemi väljalülitamist, võivad salvestatud andmed või SD-mälukaart saada kahjustada.
* SD-mälukaart töötab lühikest aega pärast süsteemi väljalülitamist edasi. Enne sisestamist ja väljutamist oodake, kuni kõik FTC juhtpaneeli leedlambid on kustunud.
- (6) Lugemis- ja kirjutusoperatsioone on järgmiste SD-mälukaartidega kontrollitud, kuid need toiminguid ei ole alati garanteeritud, kuna nende SD-mälukaartide spetsifikatsioonid võivad muutuda.

- (7) Järgige kindlasti SD-mälukaardi tootja juhiseid ja nõudeid.
- (8) Vormindage SD-mälukaart, kui see on punktis 6 loetamatu. See võib selle loetavaks muuta.
Laadige järgmiselt veebilehelt alla SD-kaardi vormindage.
SD Associationi veebilehekülj: <https://www.sdcard.org/home/>
- (9) FTC toetab FAT-failisüsteemi, kuid mitte NTFS-failisüsteemi.
- (10) Mitsubishi Electric ei vastuta täielikult ega osaliselt mis tahes kahjude eest, sealhulgas SD-mälukaardile kirjutamata jätmise ning salvestatud andmete või muu samase korruptsiooni ja kaotuse eest. Varundage vajaduse korral salvestatud andmed.
- (11) Ärge puudutage SD-mälukaardi sisestamisel või väljastamisel FTC-juhtpaneeli elektroonilisi osi, sest muidu võib juhtpaneeliga toimuda rike.

Logod		
Võimsused		
2 GB kuni 32 GB *2		
SD-kiirusklassid		
Kõik		

- SD logo on SD-3C, LLC kaubamärk.
- miniSD logo on SD-3C, LLC kaubamärk.
- microSD logo on SD-3C, LLC kaubamärk.

* 2 A 2 GB SD-mälukaart salvestab kuni 30 päeva jagu toimingulogisid.

Tootja	Mudel	Testitud
Verbatim	#44015	Märts 2012
SanDisk	SDSDB-002G-B35	Okt 2011
Panasonic	RP-SDP04GE1K	Okt 2011
Arvato	2GB PS8032 TSB 24nm MLC	Juuni 2012
Arvato	2GB PS8035 TSB A19nm MLC	Juuli 2014
SanDisk	SDSDUN-008G-G46	Okt 2016
Verbatim	#43961	Okt 2016
Verbatim	#44018	Okt 2016
VANTASTEK	VSDHC08	Sept. 2017

Enne uue SD-mälukaardi kasutamist (sealhulgas seadmega kaasas oleva kaardi) kontrollige alati, kas FTC juhtpaneel saab SD-mälukaarti ohutult lugeda ja sellele kirjutada.

<Kuidas lugemis- ja kirjutamistoiminguid kontrollida>

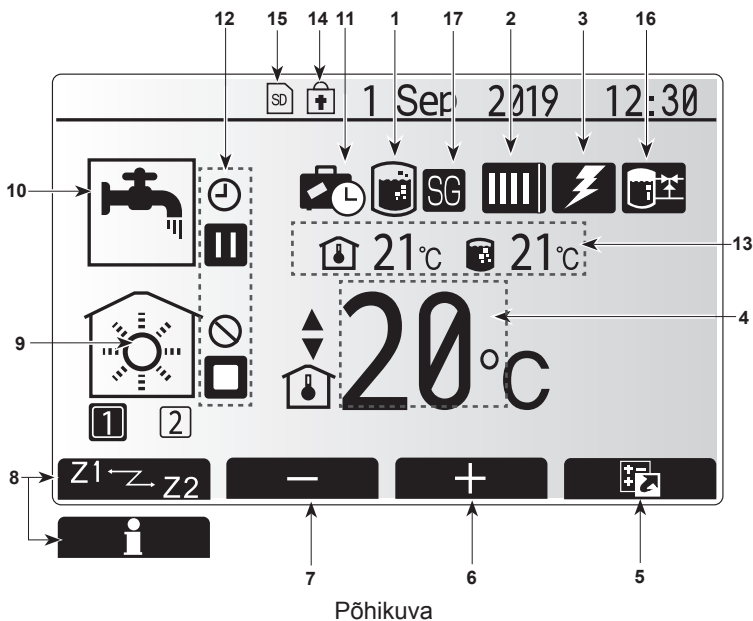
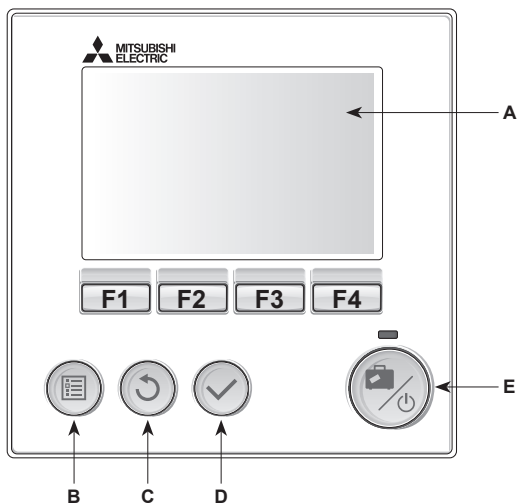
- a) Kontrollige, kas juhtmestik on toiteallika ja süsteemi vahel töökorras.
Üksikasjalikumate teavete leiate jaotisest 5.5.
(Ärge lülitage süsteemi sel ajal sisse.)
- b) Sisestage SD-mälukaart.
- c) Lülitage süsteem sisse.
- d) LED4-lamp hakkab põlema, kui lugemis- ja kirjutamistoimingud on edukalt lõpetatud. Kui LED4-lamp jätkab vilkumist või ei sütti, ei ole FTC juhtpaneelil võimalik SD-mälukaarti lugeda või sellele kirjutada.

5 Süsteemi seadistus

5.7 Kaugjuhtimispuhl

Oma kütte-/jahutussüsteemi sätete muutmiseks kasutage juhtimispuhli, mis asub silinderseadme või hüdrokasti esipaneelil. Järgneb põhisätete vaatamise juhend. Kui vajate lisateavet, võtke ühendust paigaldaja või kohaliku Mitsubishi Electricu edasimüüjaga.

Jahutusrežiim on olemas vaid ERS-seerial. Jahutusrežiim ei ole kasutatav, kui siseruumide seade on ühendatud PUHZ-FRP-ga.



Põhiküva

<Juhtimispuhli osad>

Täht	Nimi	Funktsioon
A	Ekraan	Ekraan, millele kuvatakse kogu teave.
B	Menüü	Ligipääs süsteemi sätetele algseadistuseks ja muutmiseks.
C	Tagasi	Naasmine eelmisesse menüüsse.
D	Kinnita	Kasutatakse valimiseks või salvestamiseks. (Klahv Enter (sisesta))
E	Toide/puhkus	Kui süsteem on välja lülitatud, siis üks vajutus lülitab selle sisse. Uuesti vajutamine ajal, mil süsteem on sisse lülitatud, aktiveerib puhkuse režiimi. Kui nuppu hoida 3 sekundit all, lülitub süsteem välja. (*1)
F1-4	Funktsioonide nupud	Kasutatakse menüüs liikumiseks ja sätete reguleerimiseks. Funktsiooni määrab kuvall A nähtav menüü.

*1

Kui süsteem lülitatakse välja või toitepinge ühendatakse lahti, siis soojuspumba kaitsefunktsioonid (nt külmumiskaitse) EI TÖÖTA. Arvestage, et ilma nende ohutusfunktsioonideta võib soojuspump saada kahjustatud

<Põhiküva ikoonid>

	Ikoon	Kirjeldus
1	Legionella ennetamine	Selle ikooni kuvamisel on aktiivne Legionella ennetamise režiim.
2	Soojuspump	Soojuspump töötab
		Sulatamine
		Avariirežiim
		Vaikne režiim on sisse lülitatud.
3	Elektriküttekeha	Selle ikooni kuvamisel on kasutusel elektriküttekehad (elektriline lisaküt- või elektriküttekehad).
4	Sihttemperatuur	Pealevoolu sihttemperatuur
		Ruumi sihttemperatuur
		Küttegaafik
5	VALIK	Selle ikooni all olev funktsiooninupp avab valikute kuva.
6	+	Soovitud temperatuuri tõstmine.
7	-	Soovitud temperatuuri vähendamine.
8	Z1 Z2	Selle ikooni all olev funktsiooninupp vahetab Zone1 ja 2.
		Informatsioon
9	Ruumi kütte/ jahutuse režiim	Kütterežiim Zone1 või Zone2
		Jahutusrežiim Zone1 või Zone2
10	STV režiim	Tavaline või ECO režiim
11	[Holiday mode] (Puhkuse režiim)	Selle ikooni kuvamisel on aktiivne puhkuse režiim.
12		Taimer
		Keelatud
		Serveri juhtimine
		Ooterežiim
		Ooterežiim (*2)
		Stopp
		Seadme kasutamine
13	Hetketemperatuur	Ruumi hetketemperatuur
		Vee hetketemperatuur STV-mahutis
14		Menüünupp on lukustatud või STV ja kütterežiimide vahel liikumine on valikute kuvall keelatud. (*3)
15		SD-mälukaart on sisestatud. Tavaline töö.
		SD-mälukaart on sisestatud. Ebatavaline töö.
16	Puhverpaagi juhtimine	Selle ikooni kuvamisel on puhverpaagi juhtimine aktiivne.
17	Aruka võrk valmidus	Selle ikooni kuvamisel on aruka võrgu valmidus aktiivne.

*2 See seade on ooterežiimil, muu(d) siseruumide seade töötab / seadmed töötavad prioriteetsena.

*3 Menüü avamiseks või lukustamiseks vajutage 3 sekundi jooksul korraka nuppe BACK (Tagasi) ja CONFIRM (Kinnita).

5 Süsteemi seadistus

■ [Initial setting wizard] (Algse seadistamise viisard)

Kui juhtimispuult esimest korda sisse lülitatakse, avanevad järjekorras automaatselt keeleseadistuse, kuupäeva/kellaaja seadistuse ja põhiseadete menüü ekraanid. Sisestage funktsiooniklahvide asemel soovitud number ja vajutage CONFIRM (KINNITA).

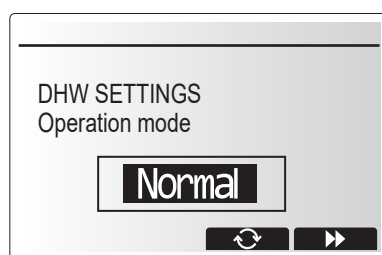
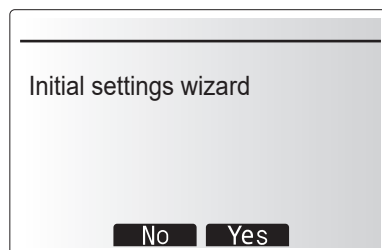
Märkus.

<[HEATER CAPACITY RESTRICTION] (KUUMUTI VÕIMSUSE PIIRANG)>

See seadistus piirab Elektriline lisaküte võimsust. Pärast käivitamist EI OLE võimalik seda seadistust muuta.

Kui Teie riigis ei ole mis tahes erinõudeid (nt ehituseeskirju), jätke see seadistus vahele (valige „No“).

- [Hot water (DHW/Legionella)] (Soe vesi (STV/Legionella))
- [Heating]/[Cooling] (Küte/jahutus)
- [Operation (ON/Prohibited/Timer)] (Töö (SEES/Keelatud/Taimer))
- [Pump speed] (Pumba kiirus)
- [Heat pump flow rate range] (Soojuspumba voolukiiruse vahemik)
- [Mixing valve control] (Segistiklapi juhtimine)
- [HEATER CAPACITY RESTRICTION] (KUUMUTI VÕIMSUSE PIIRANG)



■ Põhisätete menüü

Põhiseadete menüüle pääseb ligi nupule MENU vajutades. Selleks et koolitamata lõppkasutaja ei saaks kogemata seadistusi muuta, on põhiseadetes kaks taset ja hooldusmenüü on parooliga kaitstud.

Kasutaja tase – lühike vajutus

Kui nupule MENU vajutatakse lühikest aega üks kord, kuvatakse põhiseadetes, kuid ilma muutmisfunktsioonita. See võimaldab kasutajal vaadata aktiivseid seadeid, kuid MITTE muuta parameetreid.

Paigaldaja tase – pikk vajutus

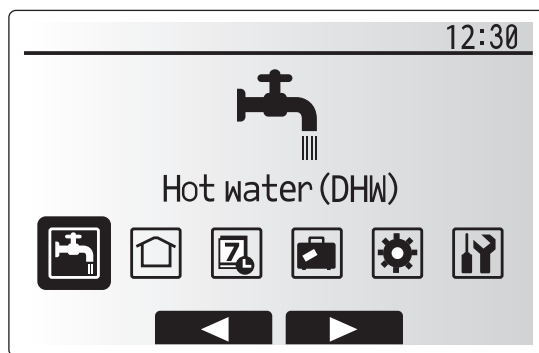
Kui nupule MENU vajutatakse 3 sekundit, kuvatakse põhiseadetes kõikide saadaolevate funktsioonidega.

Nuppude ◀▶ värv on ümberpööratud, nagu on parempoolsel joonisel näha.

<Joon 5.7.1>

Järgmiseid elemente saab vaadata ja/või muuta (olenevalt ligipääsu tasemest).

- [Domestic Hot water (DHW)] (Soe tarbevesi (STV))
- [Heating/Cooling] (Küte/jahutus)
- [Schedule timer] (Graafiku taimer)
- [Holiday mode] (Puhkuserežiim)
- [Initial settings] (Algsätted)
- [Service (Password protected)] (Hooldus (parooliga kaitstud))



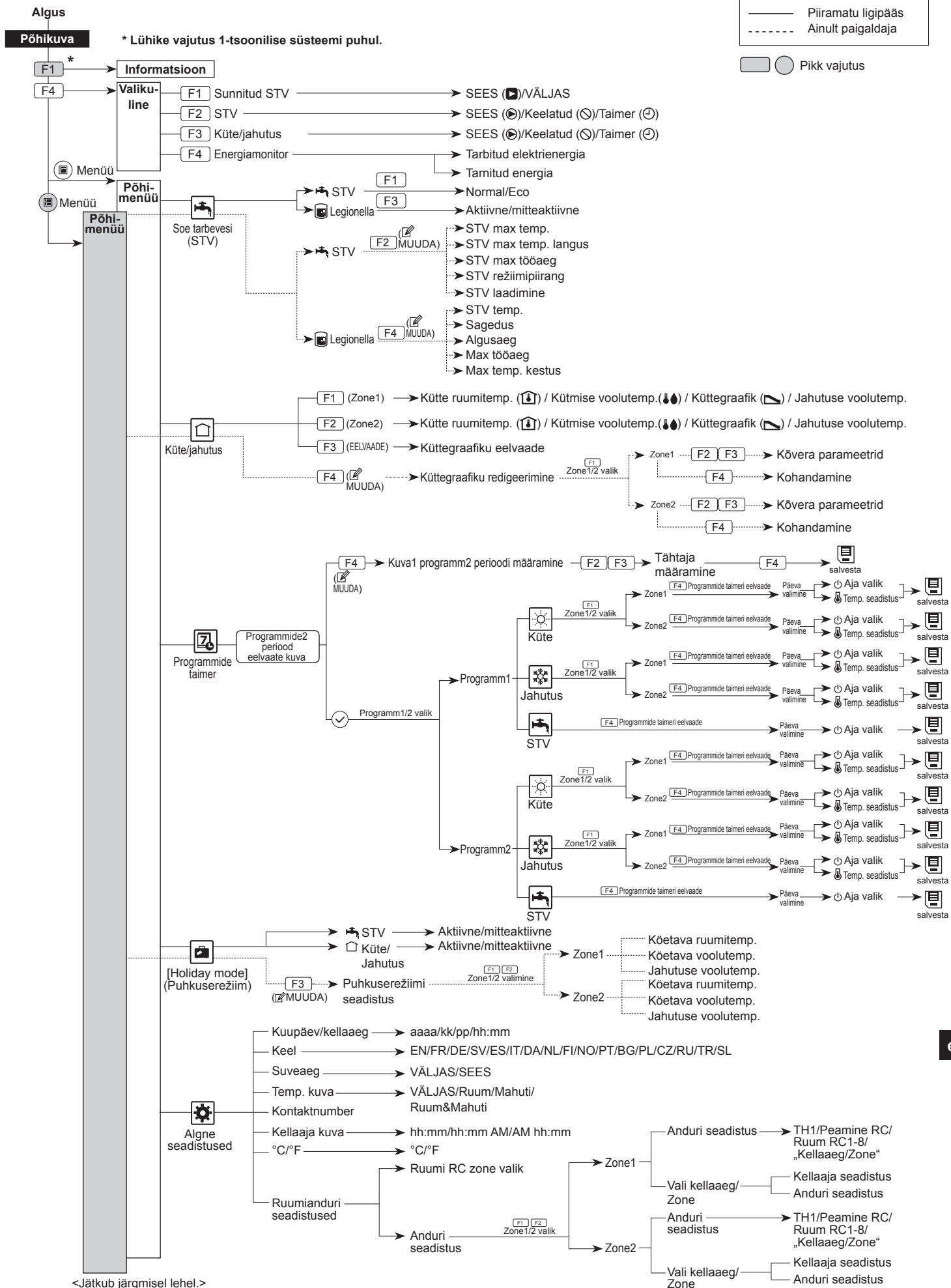
Põhimenüü



<Joon 5.7.1>

5 Süsteemi seadistus

<Juhtimisplandi menüüpuu>



et

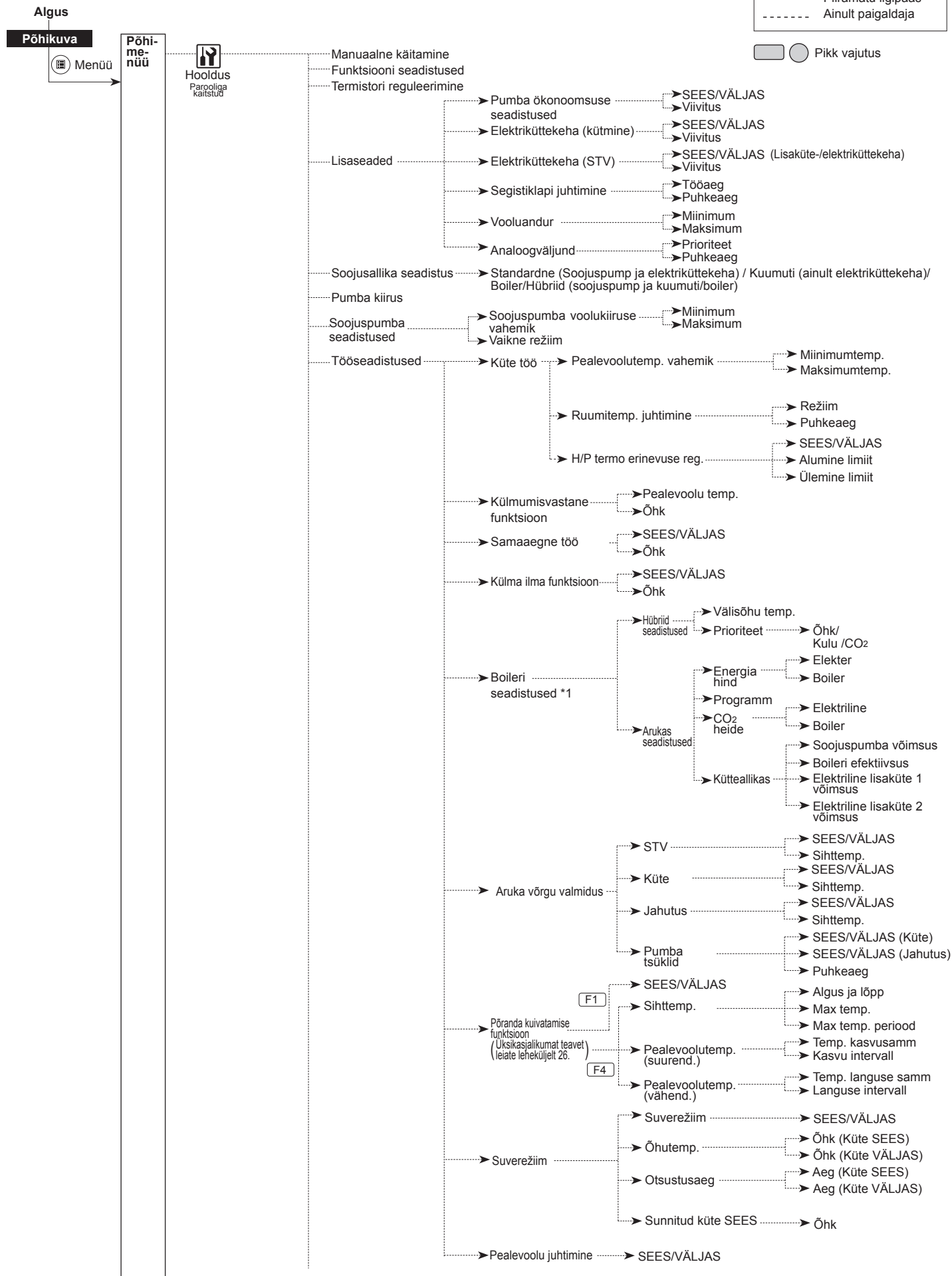
5 Süsteemi seadistus

<Jätkab eelmiselt lehelt.>

<Juhtimispuhli menüüpuu>

— Piiramatu ligipääs
 - - - - - Ainult paigaldaja

□ ○ Pikk vajutus

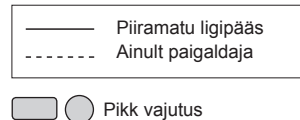
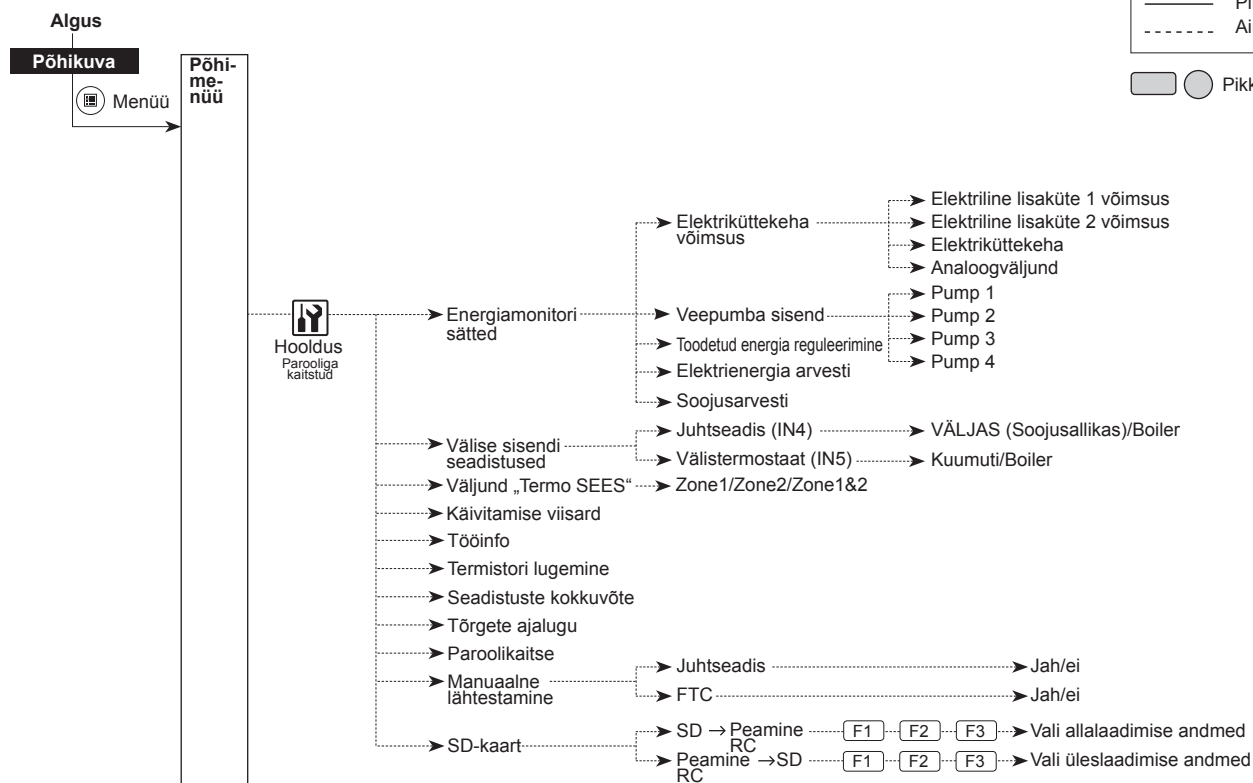


* 1 Üksikasjalikumad teavet saate PAC-TH012HT-(L)E paigaldusjuhendist.

5 Süsteemi seadistus

<Jätkab eelmiselt lehelt.>

<Juhtimispuhli menüüpuu>



Soe tarbevesi (STV) / Legionella ennetamine

Sooja tarbevee ja legionella ennetamise menüüd juhivad STV paak soojenemist.

<STV režiimi seadistused>

1. Tõstke esile STV ikoon ja vajutage CONFIRM (KINNITA).
2. Kasutage nuppu F1 kütterežiimide Normal ja ECO vahel valimiseks.
3. Režiimi muutmiseks vajutage 3 sekundi jooksul nupule MENU, seejärel valige „hot water“ (soe vesi).
4. Vajutage F2, et kuvada menüü HOTWATER (DHW) SETTING (STV SEADISTUS).
5. Vajutage klahvidele F2 ja F3, et kerida läbi menüü ning iga komponendi valimiseks nupule CONFIRM (KINNITA). Iga seadistuse kirjelduse leiata alltoodud tabelist.
6. Sisestage funktsiooniklahvide asemel soovitud number ja vajutage CONFIRM (KINNITA).



Menüü alapealkiri	Funktsioon	Vahemik	Ühik	Vaikimisi väärtus
STV max temp.	Ladustatud vee soovitud temperatuur.	40–60	°C	50
STV max temp. langus	Erinevus STV max temperatuuri ja STV režiimi käivitustemperatuuri vahel.	5–30 *	°C	10
STV max tööaeg	Ladustatud vee soojendamise max aeg STV režiimis	30–120	min	60
STV režiimipiirang	Ajaperiood pärast STV režiimi, kus ruumi kütel on prioriteet üle STV režiimi, hoides ära edasise ladustatud vee soojendamise. (Ainult siis, kui STV max tööaeg on läbi.)	30–120	min	30

* Kui STV max temp. on seadistatud üle 55°C, peab temperatuur, alates millest STV režiim käivitub, olema alla 50°C, et seadet kaitsta.

<Eco režiim>

STV režiim töötab nii režiimis „Normal“ (tavaline) kui ka „Eco“ (öko). Tavarežiim soojendab STV paak vett kiiremini, kasutades soojuspumba kogu võimsust. Ökorežiim võtab STV paak vee soojendamiseks veidi kauem aega, kuid elektritarbimine on vähendatud. Seda seetõttu, et soojuspumba töö on piiratud FTC-lt saadud signaalidega, mis põhinevad mõõdetud STV paak temperatuuril.

Märkus. Tegelik Eco režiimil kokkuhoitud energia varieerub olenevalt välisest õhutemperatuurist.

<[DHW recharge] (STV laadimine)>

Valige STV kogus. Kui vajate palju sooja vett, valige LARGE (SUUR), kuid suurendab töökulusid.

Minge tagasi menüüsse STV/Legionella prevention (STV/Legionella ennetamine).

5 Süsteemi seadistus

Legionella ennetamise režiimi seadistused (LP režiim)

1. Kasutage *legionella* režiimi aktiveerimiseks/inaktiveerimiseks (YES/NO) nuppu F3.
2. Legionella režiimi muutmiseks vajutage 3 sekundi jooksul nupule MENU ja valige „hot water“ (soe vesi), seejärel vajutage klahvi F4.
3. Vajutage klahvidele F1 ja F2, et kerida läbi menüü, ning iga alapealkirja valimiseks nupule CONFIRM (KINNITA). Iga seadistuse kirjelduse leiata alltoodud tabelist.
4. Sisestage funktsiooniklahvide asemel soovitud number ja vajutage CONFIRM (KINNITA).

Legionella ennetamise režiimis tõstetakse hoiustatud vee temperatuur üle 60°C, et vältida legionella bakterite kasvu. Seda on rangelt soovitatav regulaarselt teha. Kontrollige kohalikke kuumutamise sageduse soovitusi.

Märkus. Kui hüdrokastiga on toimunud tõrge, ei pruugi LP režiim normaalselt funktsioneerida.

Menüü alapealkiri	Funktsioon	Vahemik	Ühik	Vaikimisi väärtus
Sooja vee temp.	Ladustatud vee soovitud temp.	60 - 70	°C	65
Sagedus	Aeg LP režiimi ja STV paak kuumutamise vahel	1 - 30	päeva	15
Algusaeg	Aeg, millal LP režiim alustab	0:00 - 23:00	–	03:00
Max tööaeg	Maksimaalne lubatud aeg LP režiimi STV paak kuumutamiseks	1 - 5	tundi	3
Max temp. kestus	Ajaperiood pärast LP režiimi soovitud veetemp. saavutamist	1 - 120	min	30

Pange tähele, et LP režiim kasutab soojuspumba energiasisendite täiendamiseks elektrisoojendite abi. Vee kuumutamine pika aja jooksul ei ole tõhus ja suurendab töökulusid. Paigaldaja peaks *legionella* ennetamise vajadust hoolikalt kaaluma, raiskamata samas energiat ladustatud vee pikaajaliseks kuumutamiseks. Lõppkasutaja peaks selle funktsiooni olulisusest aru saama.

JÄRGIGE ALATI ENDA RIIGI KOHALIKKE JA RIIKLIKKE LEGIONELLA ENNETAMISE JUHISEID.

⚙️ [Initial Settings] (Algsätet)

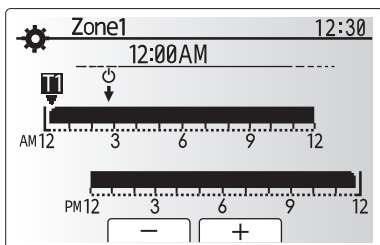
Paigaldaja saab algseadete menüüst seada järgmisi suvandeid.

- [Date/Time] (Kuupäev/kellaeg) * Seadistage need kohalikule standardajale.
- [Language] (Keel)
- [Summer time] (Suveaeg)
- [Temp. Display] (Temp. kuva)
- [Contact number] (Kontaktnumber)
- [Time display] (Kellaaja kuva)
- [°C/°F]
- [Room sensor settings] (Ruumianduri seadistused)

Töö seadistamiseks järgige jaotises „Üldine töö“ kirjeldatud protseduuri.

<[Room sensor settings] (Ruumianduri seadistused)>

Ruumianduri seadistuste puhul on oluline valida õige ruumiandur, mis vastab kütterežiimile, milles süsteem hakkab töötama.



Kellaaja/zone graafiku seadistamise ekraan

Menüü alapealkiri	Kirjeldus																				
Ruumi RC zone valik	Kui 2-tsooniline temperatuurikontroll on aktiivne ja traadita juhtimispludid on saadaval, valige ruumi RC zone valimise ekraan ja iga juhtimispludi jaoks tsooninr.																				
Anduri seadistus	Valige anduri seadistuse ekraanil ruumi temperatuuriandur, mida kasutatakse ruumi temperatuuri jälgimiseks zone1 ja zone2 eraldi. <table border="1" style="width: 100%; margin-top: 10px;"> <thead> <tr> <th rowspan="2">Juhtimisvalik (Veebijuhendist)</th> <th colspan="2">Vastav algseadete ruumiandur</th> </tr> <tr> <th>Zone1</th> <th>Zone2</th> </tr> </thead> <tbody> <tr> <td>A</td> <td>Ruum RC 1-8 (üks nii zone1 kui ka zone2 jaoks)</td> <td>*1</td> </tr> <tr> <td>B</td> <td>TH1</td> <td>*1</td> </tr> <tr> <td>C</td> <td>Juhtimisplud</td> <td>*1</td> </tr> <tr> <td>D</td> <td>*1</td> <td>*1</td> </tr> </tbody> </table> <p>Kui ajagraafiku järgi kasutatakse erinevaid ruumiandureid</p> <table border="1" style="width: 100%; margin-top: 10px;"> <tbody> <tr> <td></td> <td>Kellaeg / Zone *2</td> <td>*1</td> </tr> </tbody> </table>	Juhtimisvalik (Veebijuhendist)	Vastav algseadete ruumiandur		Zone1	Zone2	A	Ruum RC 1-8 (üks nii zone1 kui ka zone2 jaoks)	*1	B	TH1	*1	C	Juhtimisplud	*1	D	*1	*1		Kellaeg / Zone *2	*1
Juhtimisvalik (Veebijuhendist)	Vastav algseadete ruumiandur																				
	Zone1	Zone2																			
A	Ruum RC 1-8 (üks nii zone1 kui ka zone2 jaoks)	*1																			
B	TH1	*1																			
C	Juhtimisplud	*1																			
D	*1	*1																			
	Kellaeg / Zone *2	*1																			

- * 1. Pole täpsustatud (kui kasutatakse kohalikku ruumitermostaati) Ruum RC 1-8 (üks nii zone1 kui ka zone2 jaoks) (kui ruumi termostaadina kasutatakse traadita juhtimispludid)
- * 2. Valige anduri seadistus ekraanilt Kellaeg/Zone, et võimaldada erinevate ruumiandurite kasutamist graafiku järgi, mis on määratud menüüs Select Time/Zone (Vali kellaeg/Zone). Ruumiandureid saab vahetada 4 korda 24 tunni jooksul.

🔧 [Service] (Hoolduse) menüü

Hooldusmenüü sisaldab funktsioone, mis on mõeldud kasutamiseks paigaldajale või hooldusinsenerile. Selle menüü seaded EI OLE mõeldud omanikule muutmiseks. Sel põhjusel on nõutud kasutada paroolikaitset, et hoida ära volitamata ligipääsu hooldusseadetele.

Tehase vaikeparool on „0000“.

Töö seadistamiseks järgige jaotises „Üldine töö“ kirjeldatud protseduuri.

Paljusid funktsioone ei saa seadistada, kui siseseade töötab. Paigaldaja peaks enne nende funktsioonide seadmist seadme välja lülitama. Kui paigaldaja proovib seadistusi seadme töötamise ajal muuta, kuvab juhtimisplud meeldetuletuse, paludes paigaldajal enne jätkamist seadme töö välja lülitada. Valides „Yes“ (jah), lõpetab seade töö.

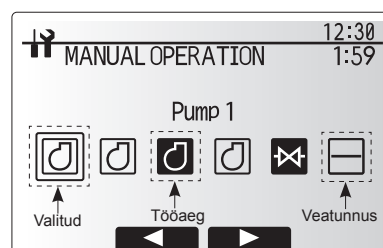
<[Manual operation] (Manuaalne käitamine)>

Süsteemi täitmise ajal saab primaarahela tsirkulatsioonipumpa ja 3-tee klappi manuaalse töörežiimi abil käsitsi ümber lülitada.

Manuaalse käitamise valimisel ilmub ekraanile väike taimer iikon. Funktsioon jääb pärast valimist manuaalseks maksimaalselt 2 tundi. See on vajalik, et hoida ära FTC kogemata jäädavalt väljalülitamist.

► Näide

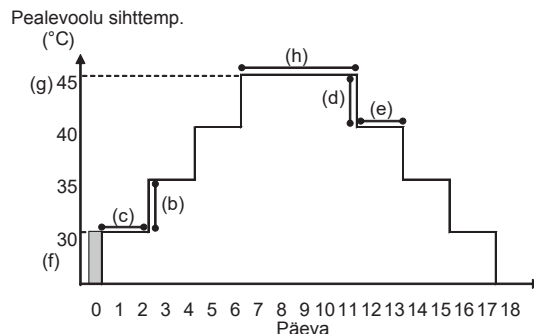
Nupule F3 vajutamine lülitab SISSE 3-tee klapi manuaalse käitamise. Kui STV paak täitmine on lõppenud, peaks paigaldaja uuesti menüüsse sisenema ja vajutama F3, et osa manuaalne käitamine desaktiveerida. Alternatiivselt pärast kahte tundi ei ole manuaalne töörežiim enam aktiivne ja FTC saab silinderseadme juhtimist jätkata.



Manuaalse käitamise menüü ekraan

5 Süsteemi seadistus

Süsteemi töötamise ajal ei saa manuaalse käitamise ja soojusallika seadistust valida. Enne kui neid režiime aktiveerida saab, kuvatakse paigaldajale ekraan, milles palutakse süsteem peatada. Süsteem peatub automaatselt 2 tundi pärast viimast toimingut.



<[Floor dry up function] (Põranda kuivatamise funktsioon)>

Põranda kuivatamise funktsioon muudab automaatselt sooja vee sihttemperatuuri betooni kuivatamiseks järk-järgult, kui paigaldatud on sellist kindlat tüüpi põrandaküttesüsteem.

Pärast töö lõpetamist peatab süsteem kõik toimingud peale külmumiskaitse. Põrandakuivatuse funktsiooni puhul on zone1 voolu sihttemp. sama mis zone2.

- See funktsioon ei ole saadaval, kui välisseade PUHZ-FRP on ühendatud.
- Ühendage ruumi termostaadi juhtseadise ja välise termostaadi välise sisendite kaablid lahti, sest muidu ei ole võimalik pealevoolu sihttemperatuuri hoida.

Funktsioonid	Sümbol	Kirjeldus	Valik/Vahemik	Ühik	Vaikimisi	
Põranda kuivatamise funktsioon	a	Lülitage funktsioon SISSE ja käivitage juhtimispuuldiga süsteem, kuivatav kütterežiim alustab.	Sees/Väljas	—	Väljas	
Pealevoolutemp. (suurend.)	Pealevoolutemp. suurendamise samm	b	Määrab pealevoolu sihttemperatuuri kasvusammu.	+1 - +10	°C	+5
	Suurendamisintervall	c	Määrab perioodi, mille ajal hoitakse sama pealevoolu sihttemperatuuri.	1-7	päeva	2
Pealevoolutemp. (vähend.)	Pealevoolutemp. vähendamise samm	d	Määrab pealevoolu sihttemperatuuri languse sammu.	-1 - -10	°C	-5
	Vähendamisintervall	e	Määrab perioodi, mille ajal hoitakse sama pealevoolu sihttemperatuuri.	1 - 7	päeva	2
Sihttemperatuur	Algus ja lõpp	f	Määrab pealevoolu sihttemperatuuri ning töö alguse ja lõpu.	20 - 60	°C	30
	Max sihttemp.	g	Määrab maksimaalse pealevoolu sihttemperatuuri.	20 - 60	°C	45
	Max temp. periood	h	Määrab perioodi, mille ajal hoitakse sama maksimaalset pealevoolu sihttemperatuuri.	1 - 20	päeva	5

<[Password protection] (Paroolikaitse)>

Saadaval on paroolikaitse, et hoida ära koolitamata isikute volitamata ligipääsu hooldusmenüüle.

Parooli lähtestamine

Kui olete parooli unustanud või peate hooldama seadet, mille on paigaldanud keegi teine, saate parooli lähtestada tehase vaikeväärtusele **0000**.

1. Kerige põhiseadete menüüst funktsioone alla, kuni hooldusmenüü on esile tõstetud.
2. Vajutage CONFIRM (KINNITA).
3. Teil palutakse sisestada parool.
4. Hoidke nuppe F3 ja F4 koos 3 sekundit all.
5. Teie käest küsitakse, kas soovite jätkata või lähtestada parooli vaikimisi seadistusele.
6. Lähtestamiseks vajutage nupule F3.
7. Parool on nüüd lähtestatud kombinatsioonile **0000**.

<[Manual reset] (Manuaalne lähtestamine)>

Kui soovite mis tahes ajal tehase seadeid taastada, kasutage käsitsi lähtestamise funktsiooni. Pange tähele, et see lähtestab KÕIK funktsioonid tehase vaikeseadistustele.



Parooli sisestamise ekraan



Parooli kinnitamise ekraan

6 Käivitamine

■ Toimingud enne käivitamist – joogivee-/STV-ahel

Esialgne täitmiseprotseduur:

Veenduge, et kõik toruliigendid oleks tihedalt ja kindlalt kinni.

Avage kaugeim STV kraan / väljalaskeava.

Avage seadme ja STV torustiku täitmiseks aeglaselt/järk-järgult veevarustus.

Laske kaugeimal kraanil vabalt joosta ja vabastage/puhastage paigaldisest jääkõhk.

Sulgege kraan/väljalaskeava täielikult laetud süsteemi tagamiseks.

Märkus. Kui paigaldatud on elektriküttekeha, ÄRGE lülitage kuumutit sisse enne, kui STV paak on vett täis. Samuti ÄRGE lülitage elektriküttekeha sisse siis, kui STV paagis on jäänud steriliseerimiskemikaale, kuna see põhjustab küttekeha enneaegse rikke.

Esialgne loputusprotseduur:

Lülitage süsteem sisse, et soojendada silinderseadme sisu temperatuuri u 30–40°C.

Loputage/laske vesi välja, et eemaldada paigaldustöödest tekkinud jäägid/ebapuhtused. Kasutage soojendatud vee sobiva vooliku kaudu ohutuks väljalaskmiseks silinderseadme tühjenduskraani.

Lõpetamisel sulgege tühjenduskraan, täitke süsteem uuesti ja jätkake süsteemi käivitamist.

7 Teenindus ja hooldus

Veakoodid

Kood	Tõrge	Tegevus
L3	Veeringluse temperatuuri ülekuumenemise kaitse	Voolukiirus võib olla vähenenud. Kontrollige järgmised elemente. • Veeleke • Sõela ummistus • Vee tsirkulatsioonipumba töökord (veakood võib ilmuda primaarahela täitmisel, lõpetage täitmine ja lähtestage veakood).
L4	STV veetemperatuuri ülekuumenemise kaitse	Kontrollige elektriküttekeha ja selle kontaktorit.
L5	Siseseadme temperatuuri termistori (THW1, THW2, THW5A, THW5B, THW6, THW7, THW8, THW9) rike	Kontrollige termistori takistust.
L6	Veeringluse külmumiskaitse	Vt L3 tegevust.
L8	Kütterežiimi tõrge	Kontrollige ja kinnitage uuesti need termistorid, mis võivad olla lahti tulnud.
L9	Vooluanduri või -lülitid (voolulülidid 1, 2, 3) tuvastatud madal primaarahela voolukiirus	Vt L3 tegevust. Kui vooluandur või -lülitid ei tööta, vahetage see. Tähelepanu! Pumbaklapid võivad olla kuumad, olge ettevaatlik.
LA	Rõhuanduri rike	Kontrollige rõhuanduri kaablit, et poleks vigastusi või lahtisi ühendusi.
LB	Kõrge rõhu kaitse	• Kütteahela voolukiirus võib olla vähenenud. Kontrollige veeahelat. • Plaatsoojusvaheti võib olla ummistunud. Kontrollige plaatsoojusvahetit. • Välisseadme rike. Lugege välisseadme hooldusjuhendit.
LC	Boileri veeringluse temperatuuri ülekuumenemise kaitse	Kontrollige, kas boileri seadistatud temperatuur ületab piirangut. (Vt termistori juhendit „PAC-TH012HT-E“) Boileri kütteahela voolukiirus võib olla vähenenud. Kontrollige järgmised elemente: • veeleke, • sõela ummistus, • vee tsirkulatsioonipumba funktsioon.
LD	Boileri temperatuuri termistori (THWB1) rike	Kontrollige termistori takistust.
LE	Boileri töötamise tõrge	Vt L8 tegevust. Kontrollige boileri olekut.
LF	Vooluanduri rike	Kontrollige vooluanduri kaablit, et poleks vigastusi või lahtisi ühendusi.
LH	Boileri veeringluse külmumiskaitse	Boileri kütteahela voolukiirus võib olla vähenenud. Kontrollige järgmised elemente: • veeleke • sõela ummistus, • vee tsirkulatsioonipumba funktsioon.
LJ	STV töötamise tõrge (välise plaadi tüüp HEX)	• Kontrollige STV paagi madalama temp. termistor (THW5B) poleks lahti ühendatud. • Sanitaarahela voolukiirus võib olla vähenenud. • Kontrollige vee tsirkulatsioonipumba töökorda. (primaar/sanitaar)
LL	FTC juhtpaneeli DIP-lülite seadistamise tõrked	Kontrollige boileri puhul, et DIP SW1-1 on SEES (koos boileriga) ja DIP SW2-6 on SEES (koos segisti mahutiga). Kontrollige 2-tsoonilise temperatuurikontrolli puhul, et DIP SW2-7 oleks SEES (2-tsooniline) ja DIP SW2-6 oleks SEES (koos segisti mahutiga).
LP	Välise soojuspumba vee voolukiiruse vahemiku puudumine	Kontrollige paigaldust tabelis 4.3.1 Kontrollige juhtimispldi seadistusi (Hooldusmenüü / soojuspumba voolukiiruse vahemik) Vt L3 tegevust.
P1	Termistor (ruumitemp.) (TH1) tõrge	Kontrollige termistori takistust.
P2	Termistor (külmaaine vedeliku temp.) (TH2) tõrge	Kontrollige termistori takistust.
P6	Plaatsoojusvaheti külmumiskaitse	Vt L3 tegevust. Kontrollige, kas külmaainet on õiges koguses.
J0	Side viga FTC ja traadita vastuvõtja vahel	Kontrollige ühenduskaablit, et poleks vigastusi või lahtisi ühendusi.
J1 – J8	Side viga traadita vastuvõtja ja traadita juhtimispldi vahel	Kontrollige, et traadita juhtimispldi patarei ei oleks tühi. Kontrollige traadita vastuvõtja ja traadita juhtimispldi sobivust. Kontrollige traadita side. (Vt traadita süsteemi juhendit)
E0 – E5	Side viga juhtimispldi ja FTC vahel	Kontrollige ühenduskaablit, et poleks vigastusi või lahtisi ühendusi.
E6 – EF	Side viga FTC ja välisseadme vahel	Kontrollige, et välisseade ei oleks välja lülitatud. Kontrollige ühenduskaablit, et poleks vigastusi või lahtisi ühendusi. Lugege välisseadme hooldusjuhendit.
E9	Välisseade ei saa siseseadmelt signaali.	Kontrollige, kas mõlemad seadmed on sisse lülitatud. Kontrollige ühenduskaablit, et poleks vigastusi või lahtisi ühendusi. Lugege välisseadme hooldusjuhendit.
EE	Kombinatsiooni viga FTC ja välisseadme vahel	Kontrollige FTC ja välisseadme kombinatsiooni.
U*, F*	Külmaaine- või külmakandjaahela tõrge	Lugege välisseadme hooldusjuhendit.
A*	M-NET-side viga	Lugege välisseadme hooldusjuhendit.

Märkus. Veakoodide tühistamiseks lülitage süsteem välja (vajutage juhtimispldi nupule F4(RESET)).

7 Teenindus ja hooldus

Iga-aastane hooldus

On oluline, et kvalifitseeritud isik hooldaks silinderseadet vähemalt korra aastas. Kõik vajalikud osad tuleb osta Mitsubishi Electricult. ÄRGE KUNAGI mööduge ohutusseadmetest ega käidelda masinat ilma, et need oleksid täielikult töökorras. Üksikasjalikumad teavet leiate hooldusraamatust.

Märkus

- Esimese paari kuu jooksul pärast paigaldamist eemaldage ja puhastage silinderseadme sõela ning lisafiltreid, mis on paigaldatud silinderseadme külge. See on eriti oluline vana/olemasoleva torusüsteemi külge paigaldamisel.
- Ülerõhuklapp ning temperatuuri- ja rõhuklappi (nr 8, 20 ja 21 joonisel 3.1) tuleb kontrollida igal aastal, keerates nuppu käsitsi nii, et kanal tühjeneks ja puhastaks tihendit.

Peale iga-aastase hoolduse on pärast süsteemi tööperioodi vajalik mõnesid osi asendada või inspekteerida. Üksikasjalikumad juhised leiate alltoodud tabelitest. Osi peab asendama ja inspekteerima asjakohase koolituse ja kvalifikatsiooniga kompetentne isik.

Osad, mis nõuavad regulaarset asendamist

Osad	Asendage iga	Võimalikud rikked
Ülerõhuklapp (PRV) Manomeeter Sisselaske kontrollgrupp (ICG)*	6 aasta tagant	Veeleke

* VALIKULISED OSAD SUURBRITANNIALE

Osad, mis nõuavad regulaarset inspeptsiooni

Osad	Kontrollige iga	Võimalikud rikked
Ülerõhuklapp (3 bar) Temperatuuri- ja ülerõhuklapp	1 aasta tagant (nupu käsitsi keeramisega)	Ülerõhuklapp võib kinni jääda ja paisupaak lõhkeda.
Elektrikütetekeha	2 aasta tagant	Maaühendusvool, mis aktiveerib kaitselüliti (Küte on alati VÄLJAS)
Vee tsirkulatsioonipump (Primaarahel)	20 000 tunni (3 aasta) tagant	Vee tsirkulatsioonipumba rike

Osad, mida EI TOHI pärast hooldust uuesti kasutada

* O-rõngas

* Tihend

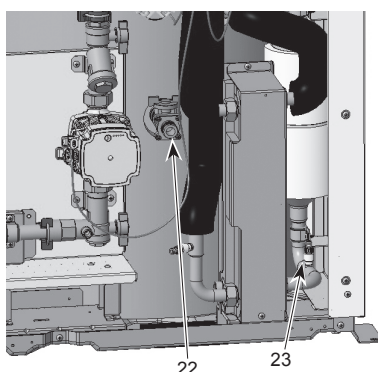
Märkus.

- Vahetage pumba tihend iga korrapärase hoolduse ajal alati uue vastu (iga 20 000 töötunni järel või iga kolme aasta tagant).

<Silinderseadme ja selle sanitaarse küttehela (lokaalne) tühjendamine>

HOIATUS! VÄLJALASTAV VESI VÕIB OLLA VÄGA KUUM

1. Enne kui hakkate silinderseadet tühjendama, lülitage toide välja, et sukel- ja elektriline lisaküte läbi ei põleks.
2. Lülitage välja külma vee sissevool STV paak.
3. Avage sooja vee kraan, et tühjenemise ajal ei tekiks vaakumit.
4. Kinnitage voolik STV paak väljalaskekraani külge (nr 22 ja 23 joonisel 7.1). Voolik peab kuumusele vastu pidama, sest äravooluvesi võib olla väga kuum. Vooliku äravool peaks asuma madalamal kui STV paak alus, et soodustada sifoonimist. Alustage tühjendamist, avades äravoolukraani.
5. Kui STV paak on tühjendatud, sulgege äravoolu- ja sooja vee kraan.
6. Primaarahela puhul kinnitage voolik veeahela äravoolukraani külge (nr 6 joonisel 3.1). Voolik peab kuumusele vastu pidama, sest äravooluvesi võib olla väga kuum. Voolik peaks tühjenema kohta, mis on äravoolukraanist madalamal, et soodustada sifoonimist. Avage pumba- ja filtriklapid.
7. Vesi jääb sõela ka pärast silinderseadme tühjendamist.
Tühjendage sõel, eemaldades selle katte.



<Joonis 7.1>

7 Teenindus ja hooldus

Inseneride vormid

Kui vaikimisi seadistusi muudetakse, sisestage ja salvestage uus seadistus „Kohapealne seadistus“ tulpa. See lihtsustab tulevikus lähtestamist, kui süsteemi kasutamine muutub või kui trükkplaat tuleb välja vahetada.

Käivitamine/Kohapealsete seadistuste salvestusleht

Juhtimispldi ekraan		Parameetrid	Vaikimisi seadistus	Kohapealne seadistus	Märksed	
Põhi-	Zone1 kütte ruumitemp.	10°C - 30°C	20°C			
	Zone2 kütte ruumitemp. *12	10°C - 30°C	20°C			
	Zone1 kütte pealevoolutemp.	20°C - 60°C	45°C			
	Zone2 kütte pealevoolutemp. *1	20°C - 60°C	35°C			
	Zone1 jahutuse voolutemp. *13	5°C - 25°C	15°C			
	Zone2 jahutuse voolutemp. *13	5°C - 25°C	20°C			
	Zone1 kütte kompenseerimiskõver	-9°C - +9°C	0°C			
	Zone2 kütte kompenseerimiskõver *1	-9°C - +9°C	0°C			
	Puhkuserežiim	Aktiivne/Mitteaktiivne/Määratud aeg		---		
Valikuline	Sunnitud STV töö	Sees/Väljas		---		
	Soe tarbevesi	Sees/Väljas/Taimer	Sees			
	Küte/jahutus *13	Sees/Väljas/Taimer	Sees			
	Energiamonitor	Tarbitud elektrienergia / toodetud energia	---			
Seadistus	STV	Töörežiim	Normal/Eco *15	Tavaline		
		STV max temp.	40°C - 60°C *2	50°C		
		STV temp. langus	5°C - 30°C	10°C		
		STV max tööaeg	30 - 120 min	60 min		
		STV režiimipiirang	30 - 120 min	30 min		
		STV laadimine	Suur/Standardne	Standardne		
		Legionella ennetamine	Aktiivne	Jah/ei	Jah	
	Küte/jahutus *13	Sooja vee temp.	60°C - 70°C *2	65°C		
		Sagedus	1 - 30 päeva	15 päeva		
		Algusaeg	00:00 - 23:00	03:00		
Max tööaeg		1 - 5 tundi	3 tundi			
Küte/jahutus *13	Maksimumtemp. kestus	1 - 120 min	30 min			
	Zone1 töörežiim	Kütte ruumitemp./ Kütte pealevoolutemp./ Kütte kompenseerimiskõver / Jahutuse voolutemp.	Ruumitemp.			
Kompenseerimiskõver	Pealevoolu kõrge temp. sättepunkt	Zone1 välisõhu temp.	-30°C - +33°C *3	-15°C		
		Zone1 voolutemp.	20°C - 60°C	50°C		
		Zone2 välisõhu temp. *1	-30°C - +33°C *3	-15°C		
		Zone2 voolutemp. *1	20°C - 60°C	40°C		
	Pealevoolu madala temp. sättepunkt	Zone1 välisõhu temp.	-28°C - +35°C *4	35°C		
		Zone1 voolutemp.	20°C - 60°C	25°C		
		Zone2 välisõhu temp. *1	-28°C - +35°C *4	35°C		
		Zone2 voolutemp. *1	20°C - 60°C	25°C		
	Kohanda	Zone1 välisõhu temp.	-29°C - +34°C *5	---		
		Zone1 voolutemp.	20°C - 60°C	---		
		Zone2 välisõhu temp. *1	-29°C - +34°C *5	---		
		Zone2 voolutemp. *1	20°C - 60°C	---		
Puhkus	Soe tarbevesi	Aktiivne/mitteaktiivne	Mitteaktiivne			
	Küte/jahutus *13	Aktiivne/mitteaktiivne	Aktiivne			
	Zone1 kütte ruumitemp.	10°C - 30°C	15°C			
	Zone2 kütte ruumitemp. *12	10°C - 30°C	15°C			
	Zone1 kütte pealevoolutemp.	20°C - 60°C	35°C			
	Zone2 kütte pealevoolutemp. *1	20°C - 60°C	25°C			
	Zone1 jahutuse voolutemp. *13	5°C - 25°C	25°C			
	Zone2 jahutuse voolutemp. *13	5°C - 25°C	25°C			
Algseaded	Keel	EN/FR/DE/SV/ES/IT/DA/NL/FI/NO/PT/BG/PL/CZ/RU/TR/SL	EN			
	°C/°F	°C/°F	°C			
	Suveaeg	Sees/Väljas	Väljas			
	Temp. kuva	Ruum/STV paak/Ruum&STV paak/Väljas	Väljas			
	Kellaaja kuva	hh:mm/hh:mm AM/AM hh:mm	hh:mm			
	Zone1 ruumianduri seadistused	TH1/Peamine RC/Ruum RC1-8/Kellaeg/Zone	TH1			
	Zone2 ruumianduri seadistused *1	TH1/Peamine RC/Ruum RC1-8/Kellaeg/Zone	TH1			
	Ruumi RC zone valik *1	Zone1/Zone2	Zone1			
	Hooldusmenüü	Termistori reguleerimine	THW1	-10°C - +10°C	0°C	
			THW2	-10°C - +10°C	0°C	
THW5A			-10°C - +10°C	0°C		
THW5B			-10°C - +10°C	0°C		
THW6			-10°C - +10°C	0°C		
THW7			-10°C - +10°C	0°C		
THW8			-10°C - +10°C	0°C		
THW9			-10°C - +10°C	0°C		
THW10			-10°C - +10°C	0°C		
THWB1			-10°C - +10°C	0°C		
Lisaseaded		Pumba ökonoomsuse seadistused	Sees/Väljas *6	Sees		
		Viivitus (3 - 60 min)		10 min		
		Ruumi kütmine: Sees (kasutatav) / Väljas (mittekasutatav)		Sees		
		Elektriküttekeha (Kütmine)	Elektriküttekeha viivitus (5 - 180 min)	30 min		
		Elektrisoojendi (STV)	Elektriline lisaküte	STV: Sees (kasutatav) / Väljas (mittekasutatav)	Sees	
			Elektriküttekeha	STV: Sees (kasutatav) / Väljas (mittekasutatav)	Sees	
		Elektriküttekeha viivitus (15 - 30 min)		15 min		
		Segistiklapi juhtimine	Tööaeg (10 - 240 s)	120 s		
		Vooluandur *17	Puhkeaeg (1 - 30 min)	2 min		
			Miinum (0 - 100 L/min)	5 L/min		
Maksimum (0 - 100 L/min)	100 L/min					
Analoogväljund	Puhkeaeg (1 - 30 min)	5 min				
	Tähtsus (vähem oluline/väga tähtis)	Tavaline				

(Jätkab järgmisel lehel.)

7 Teenindus ja hooldus

Inseneride vormid

Käivitamine / Kohapealsete seadistuste salvestusleht (jätkab eelmiselt lehelt)

Juhtimisplandi ekraan			Parameetrid		Vaikimisi seadistus	Koha-pealne seadistus	Märkused		
Seadistus	Hooldusmenüü	Pumba kiirus	Soe tarbevesi	Pumba kiirus (1 - 5)		5			
			Küte/jahutus	Pumba kiirus (1 - 5)		5			
		Soojusallika seadistus			Standardne/Kuumuti/Boiler/Hübrid *7		Standardne		
		Soojuspumba seadistus			Soojuspumba voolukiiruse vahemik		Miinimum (0 - 100 L/min)	5 L/min	
					Maksimum (0 - 100 L/min)		100 L/min		
		Vaikne režiim			Päev (E - P)		—		
					Aeg		0:00 - 23:45		
		Tööseadistused			Vaikne tase (Tavaline/Tase1/Tase2)		Tavaline		
					Kütterežiim *8		Pealevoolutemp. vahemik *10		Miinimumtemp. (20 - 45°C)
		Ruumitemp. juhtimine *14			Maksimumtemp. (35 - 60°C)		50°C		
					Režiim (Tavaline/Kiire)		Tavaline		
		Soojuspumba termo erinevuse reguleerimine			Puhkeaeg (10 - 60 min)		10 min		
					Sees/Väljas *6		Sees		
		Külmumisvastane funktsioon *11			Alumine limiit (-9 - -1°C)		-5°C		
					Ülemine limiit (+3 - +5°C)		5°C		
		Samaaegne töö (STV/Küte)			Välisõhu temp. (3 - 20°C) / **		5°C		
					Sees/Väljas *6		Väljas		
		Külma ilma funktsioon			Välisõhu temp. (-30 - +10°C) *3		-15°C		
					Sees/Väljas *6		Väljas		
		Boileri töö			Välisõhu temp. (-30 - -10°C) *3		-15°C		
					Hübriidi seadistused		Välisõhu temp. (-30 - +10°C) *3		-15°C
		Aruka võrgu valmidus			Tähtsaim režiim (Õhk/Kulu/CO ₂) *16		Õhk		
					Välisõhu temp. kasv (+1 - +5°C)		+3°C		
		Küte			Arukad seadistused		Energia hind *9		
					Elektter (0,001 - 999 */kWh)		0,5 */kWh		
		Jahutus			Boiler (0,001 - 999 */kWh)		0,5 */kWh		
					CO ₂ heide		Elektter (0,001 - 999 kg -CO ₂ /kWh)		0,5 kg -CO ₂ /kWh
		Põranda kuivatamise funktsioon			Boiler (0,001 - 999 kg -CO ₂ /kWh)		0,5 kg -CO ₂ /kWh		
					Soojusallikas		Soojuspumba võimsus (1 - 40 kW)		11,2 kW
		Pumba tsükliid			Boileri efektiivsus (25 - 150%)		80%		
					Elekttriline lisaküte 1 võimsus (0 - 30 kW)		2 kW		
		Suverežiim			Elekttriline lisaküte 2 võimsus (0 - 30 kW)		4 kW		
					Soe tarbevesi		Sees/Väljas		Väljas
		Küte			Sihttemp. (+1 - +20°C) / -- (Mitteaktiivne)		--		
					Küte		Sees/Väljas		Väljas
		Jahutus			Sihttemp.		Sisselülitamise soovitus (20 - 60°C)	50°C	
Sihttemp.					Sisselülitamise käsklus (20 - 60°C)		55°C		
Pumba tsükliid			Sihttemp.		Sisselülitamise soovitus (5 - 25°C)	15°C			
			Sihttemp.		Sisselülitamise käsklus (5 - 25°C)		10°C		
Küte (Sees/väljas)			Küte (Sees/väljas)		Sees				
			Jahutus (Sees/väljas)		Sees				
Puhkeaeg (10 - 120 min)			Puhkeaeg (10 - 120 min)		10 min				
			Sees/Väljas *6		Väljas				
Sihttemp.			Algus ja lõpp (20 - 60°C)		30°C				
			Sihttemp.		Max temp. (20 - 60°C)		45°C		
Pealevoolutemp. (Kasv)			Max temp. periood (1 - 20 päeva)		5 päeva				
			Temp. kasvusamm (+1 - +10°C)		+5°C				
Pealevoolutemp. (Langus)			Kasvu intervall (1 - 7 päeva)		2 päeva				
			Temp. languse samm (-1 - -10°C)		-5°C				
Küte SEES (4 - 19°C)			Languse intervall (1 - 7 päeva)		2 päeva				
			Küte VÄLJAS (5 - 20°C)		15°C				
Küte SEES (1 - 48 tundi)			Küte SEES (1 - 48 tundi)		6 tundi				
			Küte VÄLJAS (1 - 48 tundi)		6 tundi				
Sunnitud küte SEES (-30 - 10°C)			Sunnitud küte SEES (-30 - 10°C)		5°C				
			Sees/Väljas		Väljas				
Pealevoolu juhtimine			Sees/Väljas		Väljas				

(Jätkub järgmisel lehel.)

7 Teenindus ja hooldus

Inseneride vormid

Käivitamine / Kohapealsete seadistuste salvestusleht (jätkab eelmiselt lehelt)

Juhtimisplandi ekraan		Parameetrid		Vaikimisi seadistus	Koha-pealne seadistus	Märkused	
Hooldusmenüü	Energiamonitori seadistused	Elektriküttekeha võimsus	Elektriline lisaküte 1 võimsus	0 - 30 kW	2 kW		
			Elektriline lisaküte 2 võimsus	0 - 30 kW	4 kW		
			Elektriküttekeha võimsus	0 - 30 kW	0 kW		
			Analoogväljund	0 - 30 kW	0 kW		
		Tarnitud energia reguleerimine			-50 - +50%	0%	
		Veepumba sisend	Pump 1	0 - 200 W või *** (tehases paigaldatud pump)		***	
			Pump 2	0 - 200 W		0 W	
			Pump 3	0 - 200 W		0 W	
			Pump 4	0 - 200 W		72 W	
		Elektrienergia arvesti		0,1/1/10/100/1000 impulss/kWh		1 impulss/kWh	
		Soojusarvesti		0,1/1/10/100/1000 impulss/kWh		1 impulss/kWh	
		Välise sisendi seadistused	Juhtseadis (IN4)	Kütteallikas VÄLJAS / Boileri töö		Boileri töö	
			Välistermostaat (IN5)	Kuumuti töö / Boileri töö		Boileri töö	
		Väljund „Termo SEES“		Zone1/Zone2/Zone1&2		Zone1&2	

* 1 Zone 2-ga seotud seadistusi saab sisse lülitada ainult siis, kui zone2 temperatuurikontroll on lubatud (kui DIP SW2-6 ja SW 2-7 on lülitatud SISSE).

* 2 Ilma võimendus- ja elektriküttekeha mudel ei pruugi olenevalt välisest õhutemperatuurist määratud temperatuurini jõuda.

* 3 Alumine limiit on -15°C olenevalt ühendatud välisseadmest.

* 4 Alumine limiit on -13°C olenevalt ühendatud välisseadmest.

* 5 Alumine limiit on -14°C olenevalt ühendatud välisseadmest.

* 6 Sees: funktsioon on aktiivne; väljas: funktsioon on mitteaktiivne.

* 7 Kui DIP SW1-1 on VÄLJAS „ILMA boilerita“ või SW2-6 on VÄLJAS „ILMA segisti mahutita“, ei saa boilerit ega hübriidi valida.

* 8 Kehtib ainult siis, kui seade töötab ruumitemp. juhtimise režiimil.

* 9 * /kWh kohta tähistab valuutaühikut (nt € või £ vms)

* 10 Kehtib ainult siis, kui seade töötab kütte ruumitemperatuuri režiimil.

* 11 Kui valitud on tärn (**), on külmumisvastane funktsioon desaktiveeritud. (s.t primaarahela vee külmumise ohtu)

* 12 Zone 2-ga seotud seadistusi saab sisse lülitada ainult siis, kui 2-tsooniline temperatuurikontroll või 2-tsoonilise klapi SEES/VÄLJAS juhtseadis on aktiivne.

* 13 Jahutusrežiimi seaded on saadaval ainult ER mudeli puhul.

* 14 Kui DIP SW5-2 on VÄLJAS, on funktsioon aktiivne.

* 15 Kui silinderseade on ühendatud PUMY-P välisseadmega, läheb seade režiimile „Normal“.

* 16 Kui silinderseade on ühendatud PUMY-P välisseadmega, läheb seade režiimile „Ambient“.

* 17 Ärge muutke seadistust, sest see on seadud silinderseadmele kinnitatud vooluanduri spetsifikatsiooni kohaselt.

1. Drošības paziņojumi	2
2. Ievads	3
3. Tehniskā informācija	4
4. Uzstādīšana.....	10
4.1 Atrašanās vieta.....	10
4.2 Ūdens kvalitāte un sistēmas sagatavošana	11
4.3 Ūdens cauruļvadi	11
4.4 Elektriskais savienojums	14
5. Sistēmas iestatīšana	16
5.1 DIP slēdža funkcijas	16
5.2 Ieeju/izeju savienojumi	17
5.3 Elektroinstalācija 2. zonas temperatūras kontrolei	18
5.4 Tikai iekštelpu iekārtas darbība (uzstādīšanas darbu laikā)... ..	19
5.5 Viedtīkla ievade	19
5.6 SD atmiņas kartes lietošana	19
5.7 Galvenā tālvadības pults.....	20
6. Nodošana ekspluatācijā.....	26
7. Apkalpošana un tehniskā apkope.....	27

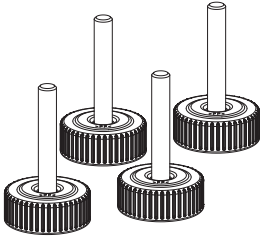
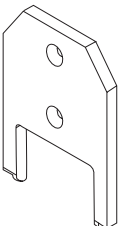
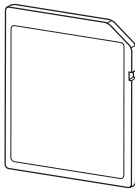



<http://www.mitsubishielectric.com/ldg/ibim/>

Ja vēlaties saņemt plašāku informāciju, kas nav iekļauta šajā rokasgrāmatā, dodieties uz iepriekš minēto tīmekļa vietni un lejupielādējiet rokasgrāmatas, atlasot modeļa nosaukumu un pēc tam izvēloties valodu.

Tīmekļa vietnes rokasgrāmatas saturs

- Energoefektivitātes uzraudzība
- Komponentu daļas (detalizēti)
- Ūdens kontūra diagramma (170 L)
- Istabas termostats
- Sistēmas uzpilde
- Vienkāršā 2 zonu sistēma
- Neatkarīgs elektroenerģijas avots
- Viedtīkla ievade
- Tālvadības pults opcijas
- Apkalpošanas izvēlne (īpašs iestatījums)
- Papildu informācija

Piederumi (iekļauti komplektācijā)			
Pielāgojama kāja	legremdes sildītāja galvenais rīks	SD atmiņas karte	DHW caurules vara ieliktnis
	Tikai modelim EHPT20X-MHEDW 		
4	1	1	2

Saīsinājumi un vārdnīca

Nr.	Saīsinājumi/Vārds	Apraksts
1	Kompensācijas līknes režīms	Telpu apsildi ietverošā ārējās gaisa temperatūras kompensācija
2	COP	Siltumsūkņa veiktspējas koeficients (Coefficient of Performance)
3	Cilindra bloks	Iekštelpu DHW tvertne bez atverēm un ūdensvada sastāvdaļas
4	DHW režīms	Mājsaimniecību karstā ūdens apsildes režīms dušām, izlietnēm utt.
5	Turpgaitas temperatūra	Temperatūra, kādā ūdens tiek pievadīts galvenajā kontūrā
6	Saldēšanas statiskā funkcija	Uzsildīšanas vadības programma ūdensvada cauruļu aizsalšanas novēršanai
7	FTC	Plūsmas temperatūras vadības ierīce (Flow temperature controller), shēmas plate, kas uzrauga sistēmas kontrolēšanu
8	Apkures režīms	Telpu apsildīšana, izmantojot radiatorus vai zemgrīdas apsildi
9	Legionella	Baktērija, kas var būt sastopama ūdensvados, dušās un ūdens tvertnēs, un var izraisīt Legionāru slimību
10	LP režīms	Legionellu novēršanas (Legionella prevention) režīms — funkcija sistēmās ar ūdens tvertnēm, kuras uzdevums ir novērst baktēriju (legionellu) vairošanos
11	Iepakots modelis	Plāksņu siltummainis (dzesētājs — ūdens) ārējā siltumsūkņa iekārtā
12	PRV	Spiediena samazināšanas vārsts (Pressure relief valve)
13	Atpakaļgaitas temperatūra	Temperatūra, kādā ūdens tiek pievadīts no galvenā kontūra
14	Dalītais modelis	Plāksņu siltummainis (dzesētājs — ūdens) iekštelpu iekārtā
15	TRV	Termostatiskais radiatora vārsts (Thermostatic radiator valve) — vārsts, kas atrodas uz radiatora paneļa ieejas vai izejas, kura uzdevums ir regulēt siltuma atdevi
16	Dzesēšanas režīms	Telpas dzesēšana, izmantojot siltumapmaiņus vai zemgrīdas dzesēšanu

1 Drošības paziņojumi

Lūdzam rūpīgi iepazīties ar tālāk norādītajiem drošības pasākumiem.



BRĪDINĀJUMS!

Drošības pasākumi, kas jāievēro, lai izvairītos no traumām vai nāvējošiem ievainojumiem.



UZMANĪBU!

Drošības pasākumi, kas jāievēro, lai izvairītos no iekārtas bojājumiem.

Šī uzstādīšanas rokasgrāmata kopā ar lietotāja rokasgrāmatu pēc iekārtas uzstādīšanas jāglabā tās tuvumā turpmākām uzziņām.

Mitsubishi Electric neuzņemas atbildību par lokāli piegādāto daļu bojājumiem.

- Veiciet periodisku apkopi.
- Ievērojiet vietējos noteikumus.
- Ievērojiet šajā rokasgrāmatā sniegtos norādījumus.

UZ IEKĀRTAS ATTĒLOTO SIMBOLU NOZĪME

	BRĪDINĀJUMS! (Ugunsgrēka risks)	Šis marķējums ir paredzēts tikai R32 dzesētājam. Dzesētāja tips ir rakstīts uz ārējās iekārtas datu plāksnītes. Ja dzesētāja tips ir R32, iekārta izmanto uzliesmojošu dzesētāju. Ja notiek dzesētāja noplūde un tas nonāk saskarē ar uguni vai apsildes daļu, izdalās kaitīga gāze, un rodas ugunsgrēka risks.
	Pirms iekārtas lietošanas uzmanīgi izlasiet LIETOTĀJA ROKASGRĀMATU.	
	Pirms iekārtas lietošanas apkalpojošajam personālam ir uzmanīgi jāizlasa LIETOTĀJA ROKASGRĀMATA un UZSTĀDĪŠANAS ROKASGRĀMATA.	
	Plašāka informācija pieejama LIETOTĀJA ROKASGRĀMATĀ, UZSTĀDĪŠANAS ROKASGRĀMATĀ u.tml.	

BRĪDINĀJUMS!

Mehāniska rakstura informācija

Lietotājs nedrīkst uzstādīt, izjaukt, pārvietot, mainīt vai remontēt cilindra bloku un ārējo iekārta. Uzticiet šos darbus pilnvarotam uzstādītājam vai tehnikim. Ja iekārta tiek nepareizi uzstādīta vai arī to pēc uzstādīšanas pārveido, var rasties ūdens noplūde, elektriskās strāvas trieciens vai izcelties ugunsgrēks.

Ārējā iekārta drošā veidā jānostiprina uz cietas un līdzenas virsmas, kas spēj izturēt tās svaru.

Cilindra bloks ir jānovieto uz cietas, līdzenas virsmas, kas spēj noturēt tās piepildīto svaru, lai novērstu pārmērīgu skanju vai vibrāciju.

Nenovietojiet mēbeles vai elektroierīces zem ārējās iekārtas vai cilindra bloka.

Cilindra bloka avārijas ierīču izplūdes cauruļvadi jāuzstāda atbilstoši vietējiem likumiem.

Izmantojiet tikai Mitsubishi Electric apstiprinātus piederumus un rezerves daļas. Uzticiet to uzstādīšanu kvalificētam tehnikim.

Elektriska rakstura informācija

Visi elektriskie darbi jāveic kvalificētam tehnikim atbilstoši vietējiem noteikumiem un šajā rokasgrāmatā sniegtajiem norādījumiem.

Iekārtas jādarbina, izmantojot atbilstošu energoapgādes avotu, kā arī pareizu spriegumu un jaudas slēdžus.

Elektroinstalācijai jābūt saskaņā ar valsts elektroinstalācijas noteikumiem. Savienojumiem jābūt izveidoti drošā veidā un bez spiediena uz spailēm.

Pareizi iezemējiet iekārta.

Vispārīga informācija

Neļaujiet bērniem un mājdzīvniekiem atrasties cilindra bloka un ārējās iekārtas tuvumā.

Neizmantojiet siltumsūkņa ražoto karsto ūdeni ēdiena gatavošanai vai dzeršanai. Pretējā gadījumā šāda ūdens lietotājs var saslimt.

Nekāpiet uz iekārtām.

Neaiztieciet slēdžus ar mitrām rokām.

Gan cilindra bloka, gan ārējās iekārtas ikgadējās apkopes pārbaudes jāveic kvalificētam speciālistam.

Nenovietojiet uz cilindra bloka virsmas tvertnes, kurās ir šķidrums. Ja notiek šāda šķidruma noplūde vai izšļakstīšanās uz cilindra bloka, var rasties iekārtas bojājumi un/vai izcelties ugunsgrēks.

Nenovietojiet uz cilindra bloka virsmas smagus priekšmetus.

Veicot cilindra bloka uzstādīšanu, pārvietošanu vai apkalpošanu, dzesētāju cauruļvadu piepildīšanai izmantojiet tikai norādīto siltumsūkņa dzesētāju. Neļaujiet to kopā ar citiem dzesētājiem un neļaujiet cauruļvados palikt gaisam. Ja ar dzesētāju tiek sajaukts gaiss, tad tas dzesētāja cauruļvadā var radīt ārkārtīgi augstu spiedienu, kā rezultātā var notikt eksplozija un pastāvēt citi apdraudējumi.

Ja sistēmai netiek izmantots norādītais dzesētājs, bet cits, var rasties mehāniski bojājumi, sistēmas darbības traucējumi vai notikt iekārtas avārija. Sliktākajā gadījumā var tikt nopietni apdraudēta ražojuma drošības garantija.

Lai apsildes režīmā nepieļautu, ka pārmērīgi karsts ūdens sabojā sildierīces, iestatiet ūdensplūsmas vēlamu temperatūru vismaz par 2°C zem visu sildierīču maksimāli pieļaujamās temperatūras. Iestatiet 2. zonai ūdensplūsmas vēlamu temperatūru vismaz par 5°C zem visu sildierīču maksimāli pieļaujamās temperatūras 2. zonas kontūrā.

Neuzstādi iekārta vietās, kur var rasties degošas gāzes vai to noplūde, plūsma vai uzkrāšanās. Ja ap iekārta uzkrājas degoša gāze, pastāv aizdegšanās vai eksplozijas risks.

Neizmantojiet nekādus citus līdzekļus atkausēšanas procesa paātrināšanai vai iekārtas tīrīšanai, kā tikai ražotāja ieteiktos.

Iekārta jāuzglabā telpā, kurā nav nepārtraukti darbināmu aizdegšanās avotu (piemēram, atklātas liesmas, gāzes iekārta vai elektriskais sildītājs).

Neduriet un nededziniet iekārta.

Nemiet vērā, ka dzesētāji var būt bez aromāta.

Cauruļvadi jānodrošina pret fiziskiem bojājumiem.

Jāuzstāda minimālais cauruļvadu skaits.

Jāievēro atbilstība valsts gāzes noteikumiem.

Gādājiet, lai ventilācijas atveres nebūtu aizsprostotas.

Dzesētāja cauruļu cietlodēšanas gadījumā neizmantojiet zemas temperatūras lodalvu.

1 Drošības paziņojumi

⚠ UZMANĪBU!

Izmantojiet galvenajā kontūrā tīru ūdeni, kas atbilst vietējām kvalitātes prasībām.

Ārējā iekārta jāuzstāda teritorijā, kur ir pietiekama gaisa plūsma, atbilstoši ārējās iekārtas uzstādīšanas rokasgrāmatā iekļautajām diagrammām.

Cilindra blokam jāatrodas iekšpusē, lai samazinātu siltuma zudumu.

Lai samazinātu siltuma zudumu, galvenā kontūra ūdensvada caurulēm starp ārējo un iekštelņu iekārtu jābūt maksimāli samazinātām.

Gādājiet, lai kondensāts no ārējās iekārtas pa caurulēm tiktu aizvadīts prom no tās pamatnes, lai neveidotos ūdens pelņes.

Cik vien iespējams, izlaidiet gaisu no galvenā un DHW kontūra.

Dzesētāja noplūde var izraisīt nosmakšanu. Nodrošiniet vēdināšanu atbilstoši standartam EN378-1.

Nodrošiniet cauruļvadu sistēmas izolāciju. Tiešs kontakts ar neizolētiem cauruļvadiem var izraisīt apdegumus vai apsaldējumus.

Nekad nelieciet baterijas mutē, lai tās nejauši nenorītu.

Bateriju norīšana var izraisīt aizrīšanos un/vai saindēšanos.

Netransportējiet cilindra bloku ar ūdeni DHW tvertnē. Pretējā gadījumā var sabojāt iekārtu.

Ja strāvas padeve cilindru blokam (vai sistēmai) jāatslēdz uz ilgāku laiku, no tās jāizlej ūdens.

Ja iekārta ilgu laiku nav lietota, pirms tās darbības atsākšanas DHW tvertne ir jāizskalo ar dzeramo ūdeni.

Ir jāveic preventīvi pasākumi pret hidraulisko triecienu, piemēram, galvenajā ūdens kontūrā jāuzstāda hidrauliskā trieciena slāpētājs, kā to norādījis ražotājs.

Informāciju par dzesētāju meklējiet ārējās iekārtas uzstādīšanas rokasgrāmatā.

2 Ievads

Šīs uzstādīšanas rokasgrāmatas mērķis ir instruēt kompetentās personas par drošu un efektīvu cilindra bloka sistēmas uzstādīšanu un ekspluatēšanu. Šīs rokasgrāmatas mērķauditorija ir kompetenti santehniķi un/vai dzesēšanas iekārtu inženieri,

kuri ir apmeklējuši un nokārtojuši nepieciešamo Mitsubishi Electric produktu apmācību un ieguvuši nepieciešamo kvalifikāciju nevēdināma karstā ūdens cilindra bloka uzstādīšanai atbilstoši savā valstī spēkā esošajām prasībām.

3 Tehniskā informācija

Ražojuma specifikācija

Modeļa nosaukums	EHP20X-MED	EHP20X-VM6D	EHP20X-YM9D	EHP20X-YM9ED	EHP20X-TM9D	EHP20X-MHEDW	ERPT20X-MD	ERPT20X-VM2D	ERPT20X-VM6D	EHP20X-MED	EHP20X-VM9ED	ERPT30X-VM2ED
Nominālais mīļšāimniecības karstā ūdens daudzums	200 L											
Vispārējā iekārtas izmērs (augstums x platums x dziļums)	1600 x 595 x 680 mm											
Svars (tukšai iekārtai)	93 kg	101 kg	102 kg	96 kg	102 kg	90 kg	99 kg	100 kg	101 kg	106 kg	109 kg	107 kg
Svars (pilnai iekārtai)	300 kg	307 kg	310 kg	305 kg	310 kg	296 kg	305 kg	305 kg	307 kg	413 kg	419 kg	413 kg
Apsildes kontūra ūdens daudzums iekārtā *1	3,7 L	12 L	12 L	6,0 L	6,0 L	3,7 L	3,7 L	3,7 L	3,7 L	4,4 L	6,7 L	4,4 L
Nevēdināms izpūšanas Nominālais tilpums	—	0,1 MPa	—	—	12 L	—	—	12 L	—	—	—	—
Uzlādes spiediens	—	0,1 MPa	—	—	0,1 MPa	—	—	0,1 MPa	—	—	—	—
Kontroles termostats	1–80°C											
Galvenais kontūrs	—											
Spiediena samazināšanas vārstis	—											
Plūsmas sensors	Minim. plūsma 5,0 L/min. (Skatīt 4.3.1. tabulu par ūdens plūsmas ātruma diapazonu)											
BH manuālais atslēgšanas termostats	—	90°C	90°C	—	—	—	—	90°C	—	—	—	90°C
BH termiālā atvēršana	—	121°C	121°C	—	—	—	—	121°C	—	—	—	121°C
Kontroles termostats	75°C											
IH manuālais atslēgšanas termostats	—											
Temperatūra / Spiediena samazināšanas vārstis	90°C / 0,7 MPa (7 bāri)											
Ūdens	1,0 MPa (10 bāri)											
Galvenais kontūrs	ø28 mm											
DHW kontūrs	ø22 mm											
Dzesētājs (R32/R410A)	—											
Gāze	—											
Apsilde	10–30°C											
Plūsmas temperatūra	20–60°C											
Istias temperatūra	—											
Dzesēšana	—											
Plūsmas temperatūra	5–25°C											
Apkārtnā vide	0–35 °C (≤ 80% RM)											
Garantētais darbības diapazons *2	Skatīt ārējās iekārtas spec. tabulu.											
Āra temperatūra	—											
Dzesēšana	*3											
Maksimāli pieļaujamā karstā ūdens temperatūra	*4	70°C	—	70°C	—	—	*4	70°C	70°C	*4	—	70°C
Paziņotais slozdes profils	L											
Vidējais klimats	A+											
Ūdens sildītāja energoefektivitātes klase	—											
Energoapgāde (fāze, spriegums, frekvence)	~N, 230 V, 50 Hz											
Vadības panelis (ieskaitot 4 sūkņus)	0,30 kW 1,95 A											
Alzarsglēdzis	10 A											
Energoapgāde (fāze, spriegums, frekvence)	—	~N, 230 V, 50 Hz	3~ 400 V, 50 Hz	3~ 230 V, 50 Hz	—	—	—	~N, 230 V, 50 Hz	—	—	3~ 400 V, 50 Hz	~N, 230 V, 50 Hz
Jauda	—	2 kW + 4 kW	3 kW + 6 kW	—	—	—	—	2 kW + 4 kW	—	—	3 kW + 6 kW	2 kW
Strāva	—	26 A	13 A	23 A	—	—	—	9 A	26 A	—	13 A	9 A
Alzarsglēdzis	—	32 A	16 A	32 A	—	—	—	16 A	32 A	—	16 A	16 A
Energoapgāde (fāze, spriegums, frekvence)	~N, 230 V, 50 Hz											
Jauda	3 kW											
Strāva	13 A											
Alzarsglēdzis	16 A											
Skapas jaudas līmenis (PWL)	40 dB(A)											

<3.3. tabula>

*1 Šajā vērtībā nav iekļauts sanitārā ūdens kontūra, galvenā DHW kontūra (no trīsvirzienu vārsta uz saplūdes punktu ar apsildes kontūru), uz izplešanās trauku izejošo cauruļu un izplešanās trauka tilpums.

*2 Vidēji jābūt bez sala.

*3 Skatiet ārējās iekārtas specifikāciju tabulu (minim. 10°C). Dzesēšanas režīms nav pieejams zemā āra temperatūrā. Ja izmantojat mūsu sistēmu dzesēšanas režīmā zemā āra temperatūrā (10°C vai mazāka), saldaļais ūdens var sabojāt plāksņu siltummaiņi.

*4 Modelim bez būsiera sildītāja un regremdes sildītāja maksimāli pieļaujamā karstā ūdens temperatūra ir (maksimālā ārējās iekārtas izpūdes ūdens temp. -3°C). Maksimālo ārējās iekārtas izpūdes ūdens temperatūru meklējiet ārējās iekārtas datu grāmatā.

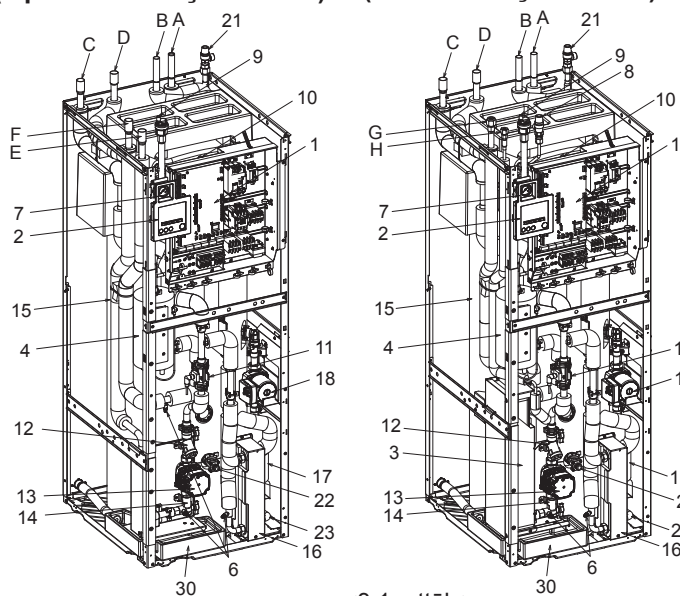
*5 Neuzstādiēt regremdes sildītājus, ja nav veikta termālā atvēršana. Kā tiešo aizvietošanu izmantojiet tikai Mitsubishi Electric rezerves daļas.

3 Tehniskā informācija

Sastāvdaļas

<E**T***_M**D>

(iepakota modeļa sistēma) (dalītā modeļa sistēma)

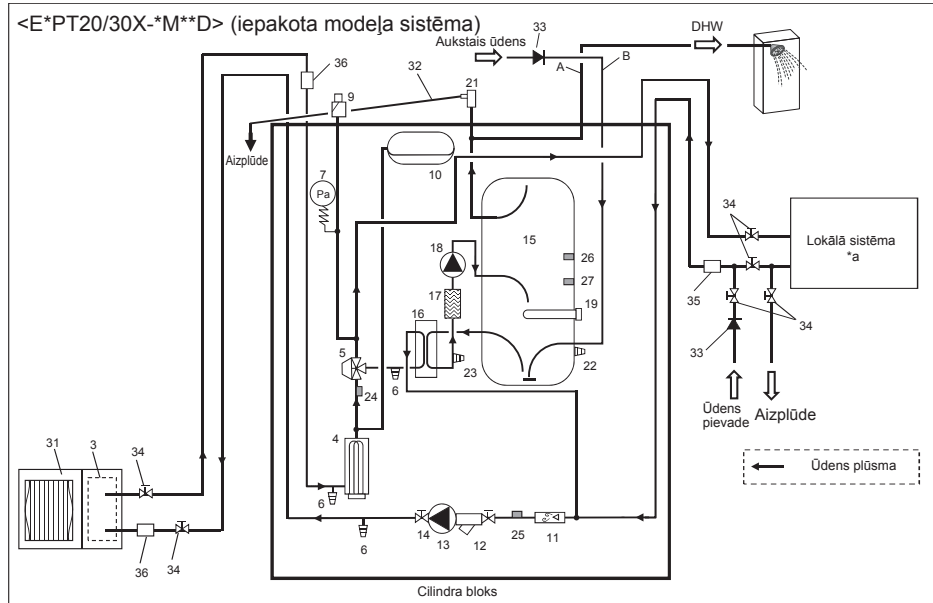


<3.1. attēls>

Piezīme.
Uzstādot visus E**T***-
M**ED* modeļus, uzstādi
atbilstoša izmēra primārās
puses izplešanās trauku un
papildu PRV, lai izvairītos
no izplešanās trauka
eksplozijas. (Papildu
norādījumus skatiet 3.2. ~
3.3. un 4.3.2. attēlā)

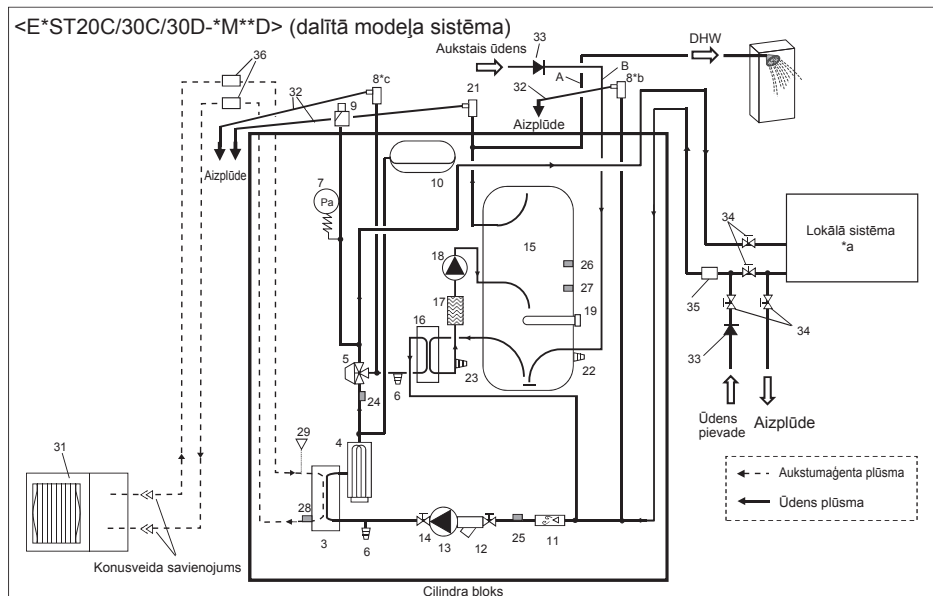
Ūdens kontūra diagramma

<E*PT20/30X-M**D> (iepakota modeļa sistēma)



<3.2. attēls>

<E*ST20C/30C/30D-M**D> (dalītā modeļa sistēma)



<3.3. attēls>

Nr.	Daļas nosaukums
A	DHW izplūdes caurule
B	Aukstā ūdens ieplūdes caurule
C	Ūdens caurule (telpas apsilde/dzesēšana, recirkulācijas savienojums)
D	Ūdens caurule (telpas apsilde/dzesēšana, plūsmas savienojums)
E	Ūdens caurule (plūsma no siltumsūkņa savienojuma)
F	Ūdens caurule (recirkulācija uz siltumsūkņa savienojumu)
G	Dzesētāja caurule (gāze)
H	Dzesētāja caurule (šķidrums)
1	Vadības un elektriskā kārba
2	Galvenā tālvadības pults
3	Plākšņu siltummainis (dzesētājs – ūdens)
4	Būstera sildītājs 1,2
5	Trīsvirzienu vārsts
6	Izplūdes krāns (galvenais kontūrs)
7	Manometrs
8	Spiediena samazināšanas vārsts (3 bāru)
9	Automātisks ventilācijas vārsts
10	Izplešanās trauks (galvenais kontūrs)
11	Plūsmas sensors
12	Sietfiltra vārsts
13	Ūdens cirkulācijas sūkņi 1 (galvenais kontūrs)
14	Sūkņa vārsts
15	DHW tvertne
16	Plākšņu siltummainis (ūdens – ūdens)
17	Katlakmens savācējs
18	Ūdens cirkulācijas sūkņi (sanitārais kontūrs)
19	Iegremdes sildītājs*1
20	Temperatūras un spiediena samazināšanas vārsts*1
21	Spiediena samazināšanas vārsts (10 bāri) (DHW tvertne)
22	Izplūdes krāns (DHW tvertne)
23	Izplūdes krāns (sanitārais kontūrs)
24	Aizplūstošā ūdens temp. termistors (THW1)
25	Recirkulācijas ūdens temp. termistors (THW2)
26	DHW tvertnes augšējais ūdens temp. termistors (THW5A)
27	DHW tvertnes zemais ūdens temp. termistors (THW5B)
28	Dzesētāja šķidrums temp. termistors (TH2)
29	Spiediena sensors
30	Izplūdes tekne
31	Ārējā iekārta
32	Drenāžas caurule (vietējā piegāde)
33	Atpakaļplūsmas novēršanas ierīce (vietējā piegāde)
34	Slēgvārsts (vietējā piegāde)
35	Magnētiskais filtrs (vietējā piegāde) (ieteicams)
36	Sietfiltrs (vietējā piegāde)
37	Papildu PRV (vietējā piegāde)
38	Ieplūdes kontroles grupa *1
39	Uzpildes kontūrs (lodvārsts, pretvārsti un elastīga šūtene) *1
40	Dzeramā ūdens izplešanās trauks *1

*1 Piegādāta TIKAI ar UK paredzēto modeli. Plašāku informāciju par pieredumiem meklējiet uzstādīšanas rokasgrāmatā PAC-WK02UK-E.

<3.5. tabula>

Dodieties uz Mitsubishi tīmekļa vietni, lai pārbaudītu citu iekārtu ūdens kontūrus un katras iekārtas komponentus.

*a Skatiet sadaļu [Local system] (Lokālā sistēma).

*b Tikai E**T20

*c Tikai E**T30

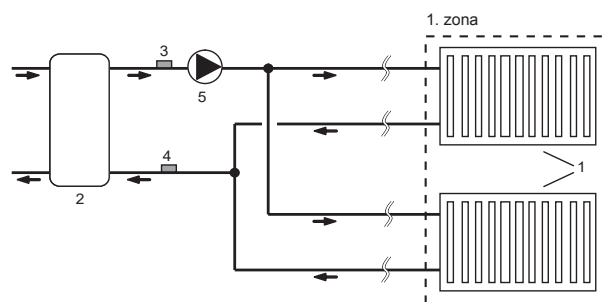
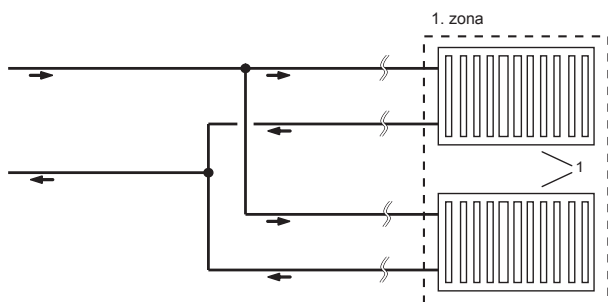
Piezīme

- Lai varētu iztukšot cilindra bloku, gan ieplūdes, gan izplūdes cauruļvadi jāapriko ar slēgvārstu.
- Uzstādi sietfiltru cilindra bloka ieplūdes caurulē.
- Visiem atslogošanas vārstiem jābūt pievienotām piemērotām drenāžas caurulēm atbilstoši jūsu valstī spēkā esošajiem noteikumiem.
- Atpakaļplūsmas novēršanas ierīcei jābūt uzstādītai uz aukstā ūdens pievades cauruļvadiem (IEC 61770).
- Izmantojot no dažādiem metāliem izgatavotas sastāvdaļas vai savienojot no dažādiem metāliem izgatavotas caurules, izolējiet salaiduma vietas, lai izvairītos no korozīvas reakcijas, kas var sabojāt cauruļvadus.

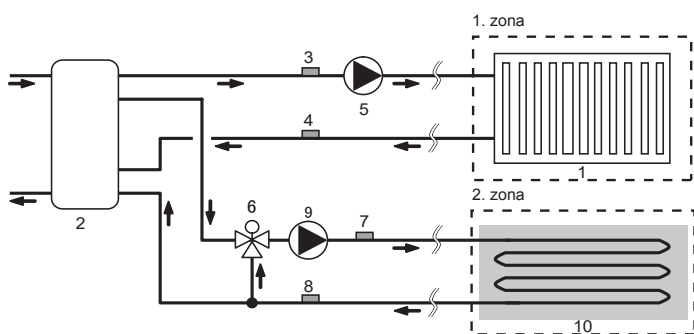
3 Tehniskā informācija

■ Lokālā sistēma

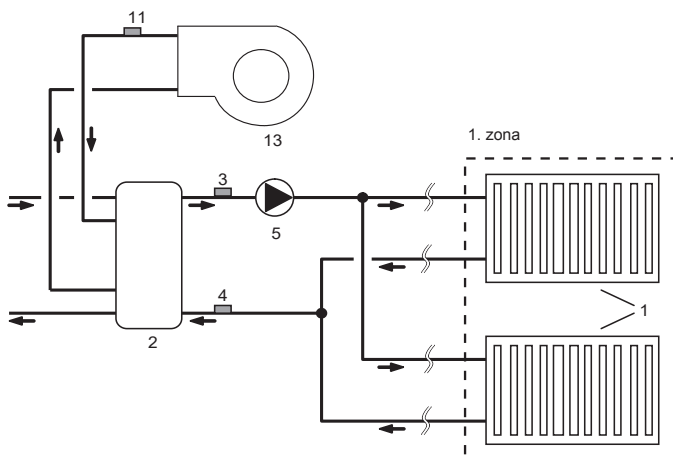
1. zonas temperatūras kontrole



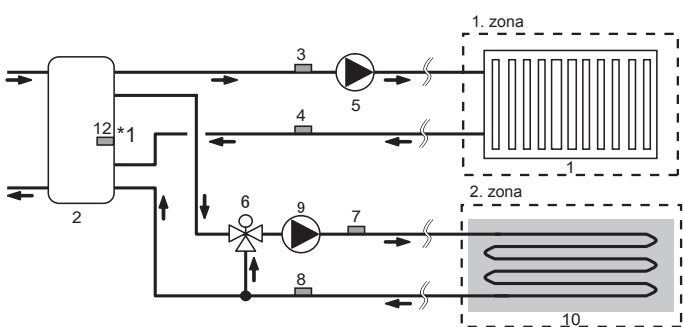
2. zonas temperatūras kontrole



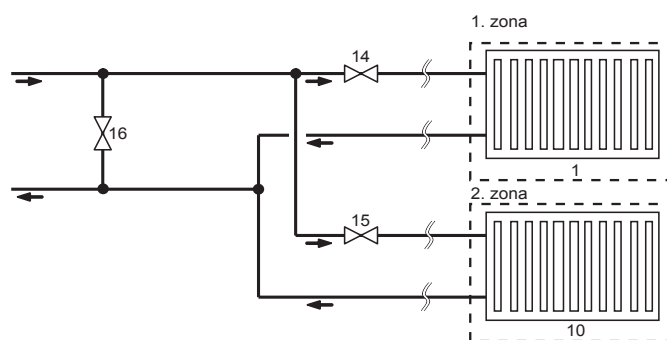
1. zonas temperatūras kontrole ar katlu



2. zonas temperatūras vadība un bufera tvertnes vadība



1. zonas temperatūras kontrole (2. zonas vārsta iesl./izsl. kontrole)



1. 1. zonas sildierīces (piem., radiators, ventilatora spoles iekārta) (vietējā piegāde)
2. Maisīšanas tvertne (vietējā piegāde)
3. 1. zonas aizplūstošā ūdens temp. termistors (THW6) } Papildu daļa: PAC-TH011-E
4. 1. zonas recirkulējošā ūdens temp. termistors (THW7) }
5. 1. zonas ūdens cirkulācijas sūkņi (vietējā piegāde)
6. Motorizēts maisīšanas vārsts (vietējā piegāde)
7. 2. zonas aizplūstošā ūdens temp. termistors (THW8) } Papildu daļa: PAC-TH011-E
8. 2. zonas recirkulējošā ūdens temp. termistors (THW9) }
9. 2. zonas ūdens cirkulācijas sūkņi (vietējā piegāde)

10. 2. zonas sildierīces (piem., zemgrīdas apsilde) (vietējā piegāde)
11. No katla aizplūstošā ūdens temp. termistors (THWB1) } Papildu daļa: PAC-TH012HT(L)-E
12. Maisīšanas tvertnes termistors (THW10) *1 }
13. Katls (vietējā piegāde)
14. 1. zonas 2 virzienu vārsts (vietējā piegāde)
15. 2. zonas 2 virzienu vārsts (vietējā piegāde)
16. Apvada vārsts (vietējā piegāde)

*1 TIKAI bufera tvertnes vadība (apsilde/dzesēšana) attiecas uz sadaļu "Piemērotība viedtīklam".

4 Uzstādīšana

<Sagatavošanās darbi pirms uzstādīšanas un apkalpošanas>

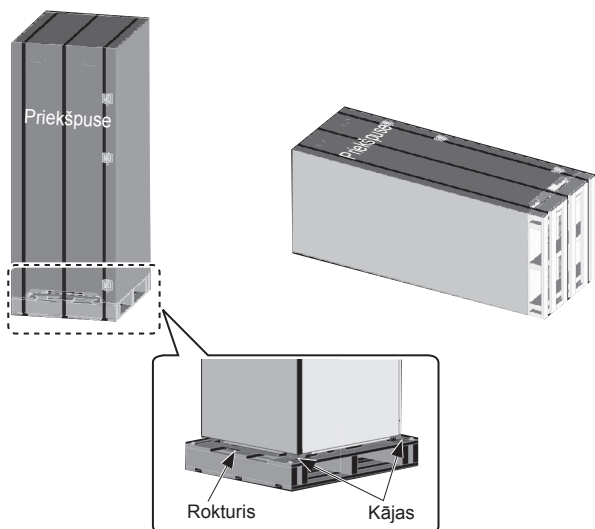
- Sagatavojiet atbilstošos instrumentus.
- Sagatavojiet atbilstošos aizsarglīdzekļus.
- Pirms jebkādu apkopes darbu veikšanas ļaujiet daļām atdzist.
- Nodrošiniet pietiekamu ventilāciju.
- Pēc sistēmas darbības apturēšanas izslēdziet strāvas padeves aizsargslēdzi un atvienojiet strāvas kontaktspraudni.
- Pirms uzsākat elektrisko daļu apkopes darbus, iztukšojiet kondensatoru.

<Drošības pasākumi apkalpošanas laikā>

- Nestrādājiet pie elektriskajām daļām ar mitrām rokām.
- Nelejiet ūdeni vai šķidrumu elektriskajās daļās.
- Nepieskarities dzesētājam.
- Nepieskarities karstajām vai aukstajām virsmām dzesētāja ciklā.
- Ja nepieciešams salabot vai pārbaudīt kontūru, neizslēdzot strāvas padevi, ievērojiet īpašu piesardzību, lai NEPIESKARTOS elektrību VADOŠAJĀM daļām.

4.1 Atrašanās vieta

■ Transportēšana un pārvietošana



<4.1.1. attēls>

Cilindra bloks tiek piegādāts uz koka palešu pamatnes kartona aizsargiekpakojumā.

Cilindra bloks jātransportē uzmanīgi, lai tā ietvars netiktu sabojāts. Kamēr cilindra bloks nav nogādāts tā galīgajā atrašanās vietā, nenovietojiet tā aizsargiekpakojumu. Tādējādi tiks aizsargāta tā konstrukcija un vadības panelis.

- Cilindra bloku var transportēt vai nu horizontāli, vai vertikāli. Transportējot to horizontāli, panelim, kas apzīmēts ar „Front” (Priekšpuse), jābūt vērstam **AUGŠUP** <4.1.1. attēls>.
- Cilindra bloku VIENMĒR jāpārvieto vismaz 3 cilvēkiem.
- Pārvietojot cilindra bloku, izmantojiet komplektācijā iekļautos rokturus.
- Pirms rokturu izmantošanas pārliecinieties, vai tie ir stingri nostiprināti.
- **Tiklīdz iekārta ir nogādāta uzstādīšanas vietā, novietojiet priekšējo rokturi, fiksējošās kājas, koka pamatni un pārējo iepakojuma materiālu.**
- **Saglabājiet rokturus izmantošanai nākotnē.**

■ Piemērota atrašanās vieta

Pirms uzstādīšanas cilindra bloks jāuzglabā vietā, kur to nevar ietekmēt sals un laikapstākļi. Iekārtas **NEDRĪKST** kraut vienu virs otras.

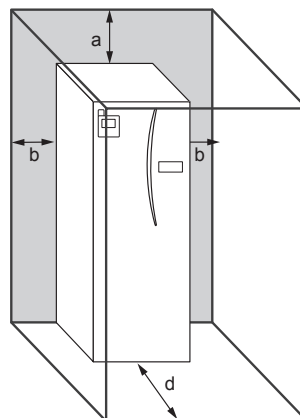
- Cilindra bloks jāuzstāda iekštelpās, kur to nevar ietekmēt sals un laikapstākļi.
- Uzstādiet cilindra bloku vietā, kur tas nav pakļauts ūdens / pārmērīga mitruma iedarbībai.
- Cilindra bloks jānovieto uz līdzenas virsmas, kas spēj noturēt tā **PIEPILDĪTO** svaru. (Pielāgojamās kājas (piederumus) var izmantot, lai izlīdzinātu iekārtu.)
- Izmantojot pielāgojamās kājas, pārliecinieties, vai grīda ir pietiekami izturīga.
- Jāparūpējas, lai tiktu ievēroti minimālie attālumi ap iekārtu un tās priekšā, tādējādi nodrošinot piekļuvi servisa vajadzībām <4.1.2. attēls>.
- Nostipriniet cilindra bloku, lai tas netiktu apgāzts.

■ Servisa piekļuves diagrammas

Servisa piekļuve	
Parametrs	Izmērs (mm)
a	300*
b	150
c (attālums aiz iekārtas nav redzams 4.1.2. attēlā)	10
d	500

<4.1.1. tabula>

Ir **JĀATSTĀJ** pietiekami daudz vietas izplūdes cauruļvadiem, kā tas noteikts Valsts un vietējos būvnormatīvos.



<4.1.2. attēls>

Servisa piekļuve

* Uzstādot papildu 2. zonas komplektu (PAC-TZ02-E) uz cilindra iekārtas, ir nepieciešams nodrošināt papildu 300 mm distanci (kopā 600 mm).

Cilindra blokam jāatrodas iekštelpās, kur nav sala, piemēram, saimniecības telpā, lai samazinātu siltuma zudumu no uzkrātā ūdens.

■ Pārvietošana

Ja cilindra bloku nepieciešams pārvietot uz jaunu vietu, pirms pārvietošanas **PILNĪBĀ IZTUKŠOJIET** to, lai nesabojātu iekārtu.

4.2 Ūdens kvalitāte un sistēmas sagatavošana

■ Vispārīga informācija

- Ūdenim gan galvenajā, gan sanitārajā kontūrā jābūt tīram un ar pH vērtību 6,5–8,0.
- Maksimālās vērtības ir šādas:
kalcijs: 100 mg/L, Ca cietība: 250 mg/L;
hlorīds: 100 mg/L, varš: 0,3 mg/L.
- Citām sastāvdaļām jābūt saskaņā ar Eiropas direktīvas 98/83 EK standartiem.
- Teritorijās, kur ir ciets ūdens, katlakmens novēršanai/samazināšanai ieteicams ierobežot uzglabātā ūdens temperatūru (DHW maks. temp.) līdz 55°C.

■ Antifrīzs

Antifrīza šķīdumiem jāizmanto propilēnglikols ar 1. klases toksicitātes pakāpi, kā tas noteikts Komerציālo produktu klīniskās toksikoloģijas 5. izdevumā.

Piezīme.

1. Etilēnglikols ir toksisks, un to **NEDRĪKST** izmantot galvenajā ūdens kontūrā, ja dzeramā ūdens kontūrā radies piesārņojums.
2. 2. zonas vārsta iesl./izsl. kontrolei jāizmanto propilēnglikols.

■ Jauna uzstādīšana (galvenais ūdens kontūrs)

- Pirms ārējās iekārtas pievienošanas rūpīgi attīriet cauruļvadus no būvgružiem, lodalvas u.tml. netīrumiem, izmantojot atbilstošu ķīmisko tīrīšanas līdzekli.
- Izskalojiet sistēmu, lai noskalotu ķīmisko tīrīšanas līdzekli.
- Visām iepakota modeļa sistēmām pievienojiet inhibitora un antifrīza kombinācijas šķīdumu, lai novērstu cauruļvadu un sistēmas komponentu bojājumus.
- Attiecībā uz dalītā modeļa sistēmām atbildīgajam uzstādītājam jāizlemj, vai antifrīza šķīdums ir nepieciešams, ņemot vērā konkrētās vietas apstākļus. Tomēr VIENMĒR jāizmanto korozijas inhibitors.

■ Esošas iekārtas uzstādīšana (galvenais ūdens kontūrs)

- Pirms pievienojat ārējo iekārtu, esošajam apsildes kontūram JĀVEIC ķīmiskā tīrīšana, lai likvidētu netīrumus no apsildes kontūra.
- Izskalojiet sistēmu, lai noskalotu ķīmisko tīrīšanas līdzekli.
- Visām iepakota modeļa sistēmām un dalītā modeļa vai PUMY sistēmām bez būstera silīdītāja pievienojiet inhibitora un antifrīza kombinācijas šķīdumu, lai novērstu cauruļvadu un sistēmas komponentu bojājumus.
- Attiecībā uz dalītā modeļa sistēmām atbildīgajam uzstādītājam jāizlemj, vai antifrīza šķīdums ir nepieciešams, ņemot vērā konkrētās vietas apstākļus. Tomēr VIENMĒR jāizmanto korozijas inhibitors.

Izmantojot ķīmiskos tīrīšanas līdzekļus un inhibitorus, vienmēr ievērojiet ražotāja sniegtos norādījumus un pārliecinieties, vai produkts ir piemērots ūdens kontūrā izmantotajam materiāliem.

4.3 Ūdens cauruļvadi

■ Karstā ūdens cauruļvadi

Cilindra bloks ir NEVĒDINĀMS. Uzstādot nevēdināmas karstā ūdens sistēmas, jāievēro būvnoteikumu daļa G3 (Anglijai un Velsai), P3 (Skotijai) un P5 (Ziemeļīrijai). Ja atrodaties ārpus Apvienotās Karalistes, ņemiet vērā savā valstī spēkā esošos noteikumus attiecībā uz nevēdināmām karstā ūdens sistēmām.

Savienojiet DHW plūsmas cauruli ar A cauruli (3.1. attēls).

Uzstādīšanas laikā jāpārbauda šādu cilindra bloka drošības komponentu pareiza funkcionēšana:

- spiediena samazināšanas vārsts (galvenais kontūrs un tvertne);
- izplešanās trauks pirms uzpildes (gāzes uzpildes spiediens).

Rūpīgi jāievēro nākamajās lapās iekļautie norādījumi attiecībā uz drošu karstā ūdens iztukšošanu no drošības ierīcēm.

- Cauruļvadi kļūs ļoti karsti, tāpēc tie jāizolē, lai novērstu apdegumus.
- Savienojot cauruļvadus, gādājiet, lai caurulēs neiekļūtu svešķermeņi, piemēram, būvgruži.

■ Aukstā ūdens cauruļvadi

Atbilstoši piemērojamajam standartam (skatīt 4.2. sadaļu) sistēmā jāievada aukstais ūdens, ar attiecīgas armatūras palīdzību pievienojot cauruli B (3.1. attēls).

■ Telpas apsildes/dzesēšanas kontūrā nepieciešamais minimālais ūdens daudzums

Āra siltumsūkņa iekārta		Vidējās temp./siltākā klimatā**		Vēsākā klimatā**	
		iekārtas, kas satur ūdens daudzumu [L]	*Papildus nepieciešamais ūdens daudzums [L]	iekārtas, kas satur ūdens daudzumu [L]	*Papildus nepieciešamais ūdens daudzums [L]
Iepakots modelis	PUZ-WM50	5	2	5	24
	PUZ-WM60		4		29
	PUZ-WM85		7		32
	PUZ-WM112		11		43
	PUZ-HWM140		15		55
Dalītais modelis	SUZ-SWM40	5	1	5	12
	SUZ-SWM60		2		21
	SUZ-SWM80		4		29
	PUD-S(H)WM60		4		21
	PUD-S(H)WM80		6		29
	PUD-S(H)WM100		9		38
	PUD-S(H)WM120		12		47
	PUD-SHW140		15		55
	PUHZ-FRP71		6		27
	PUHZ-SW75		6		27
	PUHZ-SW100		9		38
	PUHZ-SW120		12		47
	PUHZ-SHW80		6		29
	PUHZ-SHW112		11		43
	PUHZ-SHW140		15		55
PUMY-P112	22	75			
PUMY-P125	22	75			
PUMY-P140	22	75			

<4.2.1. tabula>

- * Apvada kontūra gadījumā iepriekšējā tabulā norādīts minimālais ūdens daudzums.
- ** Skatiet 2009/125/EK: Ar enerģiju saistīto ražojumu direktīvu un regulu (ES) Nr. 813/2013, lai uzzinātu informāciju saistībā ar savu klimata zonu.

1. gadījums. Galvenais kontūrs nav atdalīts no sekundārā kontūra
 - Lūdzu, nodrošiniet nepieciešamo ūdens daudzumu atbilstoši 4.2.1. tabulai atkarībā no ūdens caurules un radiatora vai zemgrīdas apsildes.
2. gadījums. Atsevišķs galvenais un sekundārais kontūrs
 - Ja primārā un sekundārā sūkņa savstarpējā bloķēšana nav iespējama, lūdzu, nodrošiniet nepieciešamo papildu ūdens daudzumu tikai galvenajā kontūrā atbilstoši 4.2.1. tabulai.
 - Ja primārā un sekundārā sūkņa savstarpējā bloķēšana ir iespējama, lūdzu, nodrošiniet kopējo ūdens daudzumu galvenajā un sekundārajā kontūrā atbilstoši 4.2.1. tabulai.

Nepieciešamā ūdens daudzuma trūkuma gadījumā lūdzam uzstādīt bufera tvertni.

■ Negatīva spiediena novēršana

Lai negatīvais spiediens neietekmētu DHW tvertni, uzstādītājam jāuzstāda atbilstoši cauruļvadi vai jāizmanto atbilstošas ierīces.

■ Hidrauliskā filtra uzstādīšana (TIKAI E*PT sērijas modeļiem)

Uzstādiet hidraulisko filtru vai sietfiltru (vietējā piegāde) pie ūdens pievades („E caurule” skatīt 3.1. att.).

■ Cauruļvadu savienojumi

Savienojumi ar cilindra bloku jāveido, izmantojot vai nu 22 mm, vai 28 mm kompresijas savienojumus.

Pievienojot DHW caurules, izmantojot kompresijas armatūru, ievietojiet **DHW caurules vara ieliktni** (piederums) caurulēs un nostipriniet to ar 0,75 līdz 1,25 griezieniem.

Nesavelciet kompresijas savienojumus pārāk cieši, jo tādējādi var tikt deformēts olīvveida gredzens un var rasties noplūde.

Piezīme. Pirms cauruļu cietlodēšanas aizsargājiet cilindra bloka caurules, izmantojot mitrus dvieļus u.tml. materiālus kā „karstuma aizsargu”.

■ Cauruļvadu izolācija

- Visi atklātie cauruļvadi ir jāizolē, lai novērstu lieku siltuma zudumu un kondensāta veidošanos. Lai novērstu kondensāta iekļūšanu cilindra blokā, rūpīgi jāizolē cauruļvadi un savienojumi cilindra bloka augšpusē.
- Ja iespējams, jānodrošina, lai aukstā un karstā ūdens cauruļvadi neatrastos pārāk tuvu viens otram, tādējādi izvairoties no nevēlamas siltumpārešes.
- Starp āra siltumsūkņa iekārtu un cilindra bloku esošie cauruļvadi jāizolē ar atbilstošu cauruļu izolācijas materiālu, kura siltumvadītspēja ir ≤ 0,04 W/m.K.

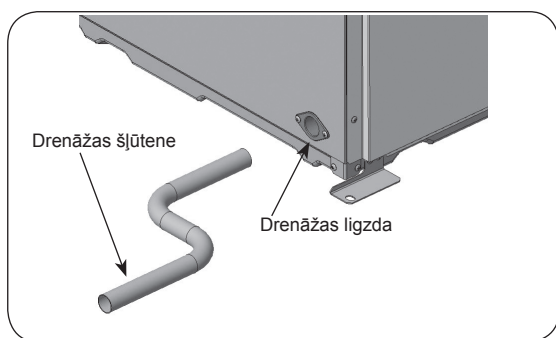
4 Uzstādīšana

■ Drenāžas cauruļvadi (TIKAI ER sērijas modeļiem)

Papildu daļa – izplūdes teknes statīvs – nav jāuzstāda, jo izplūdes tekne jau ir uzstādīta. Drenāžas caurule jāuzstāda no drenāžas ligzdas iekārtas aizmugurējā kreisajā pusē.

Drenāžas caurule jāuzstāda kondensācijas ūdens novadīšanai dzesēšanas režīma laikā.

- Lai novērstu netīrā ūdens iztecēšanu uz grīdas blakus cilindra blokam, pievienojiet atbilstošu izplūdes cauruli no cilindra bloka izplūdes teknes.
- Drošā veidā uzstādiet drenāžas cauruli, lai novērstu noplūdi no savienojuma.
- Drošā veidā izolējiet drenāžas cauruli, lai novērstu ūdens pilēšanu no vietēji piegādātās drenāžas caurules.
- Uzstādiet drenāžas cauruli ar slīpumu uz leju vērtībā 1/100 vai vairāk.
- Neievietojiet drenāžas cauruli drenāžas kanālā, kur ir sēra gāze.
- Pēc uzstādīšanas pārbaudiet, vai drenāžas caurule kārtīgi izvada ūdeni no caurules izplūdes vietas uz atbilstošu izplūdes vietu.



<4.3.1. attēls>

<Uzstādīšana>

1. Drenāžas ligzda (iekšējais diametrs 26mm) atrodas cilindra bloka aizmugurējā, kreisajā pusē. (4.3.1. attēls)
2. Nostipriniet drenāžas ligzdai atbilstošu drenāžas cauruli (VP-20) ar polivinilhlorīda tipa saistvielu.
3. Uzstādiet drenāžas cauruļvadu līdz pat izejai, izmantojot pazeminājumu, kas lielāks par vienu simtdaļu.

Piezīme. Drošā veidā atbalstiet vietēji piegādāto drenāžas cauruli, lai tā nenokristu no drenāžas ligzdas.



■ Izplešanās trauku izmēri

Izplešanās trauka tilpumam jāatbilst lokālās sistēmas ūdens tilpumam.

Lai izmērītu izplešanās trauku apsildes kontūram, var izmantot tālāk norādīto formulu un grafiku.

Kad nepieciešamā izplešanās trauka tilpums pārsniedz iebūvētā izplešanās trauka tilpumu, uzstādiet papildu izplešanās trauku, lai izplešanās trauku tilpumu summa pārsniedz nepieciešamo izplešanās trauka tilpumu.

* Uzstādot modeli E**T***.M*ED*, sarūpējiet un uzstādiet piemērotu primārās puses izplešanās trauku un papildu 3 bāru spiediena samazināšanas vārstu, jo šis modelis NAV aprīkots ar primārās puses izplešanās trauku.

$$V = \frac{\varepsilon \times G}{1 - \frac{P_1 + 0,098}{P_2 + 0,098}}$$

Kur:

V : nepieciešamais izplešanās trauka tilpums [L]

ε : ūdens izplešanās koeficients

G : kopējais ūdens tilpums sistēmā [L]

P₁ : izplešanās trauka iestatītais spiediens [MPa]

P₂ : maks. spiediens darbošanās laikā [MPa]

Labajā pusē esošais grafiks paredzēts šādām vērtībām:

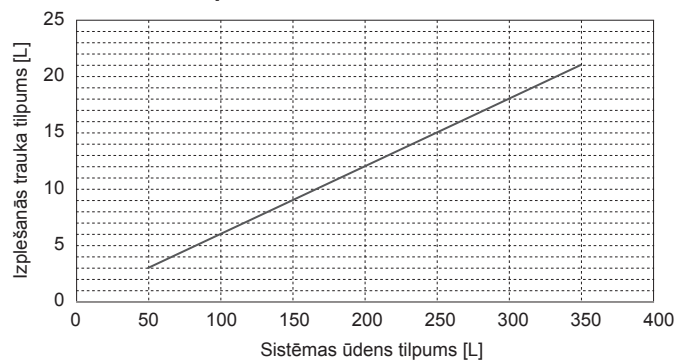
ε : pie 70°C = 0,0229

P₁ : 0,1 MPa

P₂ : 0,3 MPa

*Ir pievienota 30% drošības rezerve.

Izplešanās trauka izmērs



<4.3.2. attēls>

4 Uzstādīšana

■ Ūdens cirkulācijas sūkņa raksturlielumi

1. Galvenais kontūrs

Sūkņa ātrumu var atlasīt, izmantojot galvenās tālvadības pults iestatījumu (skatīt <4.3.3. līdz 4.3.7. attēlu>).

Pielāgojiet sūkņa ātruma iestatījumu tā, lai plūsmas ātrums galvenajā kontūrā ir atbilstošs uzstādītajai ārējai iekārtai (skatīt 4.3.1. tabulu). Atkarībā no galvenā kontūra garuma un pacēluma var būt nepieciešams pievienot papildu sūkni sistēmā. Informāciju par ārējās iekārtas modeļiem, kas nav uzskaitīti <4.3.1. tabulā>, meklējiet ūdens plūsmas ātruma sadaļā, kas atrodama ārējās iekārtas datu grāmatas specifikāciju tabulā.

<Otrs sūknis>

Ja nepieciešams uzstādīt otru sūkni, uzmanīgi izlasiet tālākos norādījumus.

Ja sistēmā tiek izmantots otrs sūknis, to var novietot 2 veidos.

Sūkņa pozīcija ietekmē to, pie kādas FTC spaiļes pievienojams signāla kabelis. Ja papildu sūkņa(-u) strāva ir lielāka par 1 A, lūdzu, izmantojiet atbilstošu releju.

Sūkņa signāla kabeli var pievienot vai nu TBO.1 1-2, vai CNP1, bet NE abiem.

1. opcija (tikai telpas apsilde/dzesēšana)

Ja otrs sūknis tiek izmantots tikai apsildes kontūrā, signāla kabelis jāpievieno TBO.1 spaiļei 3 un 4 (OUT2). Šajā pozīcijā sūkni var darbināt atšķirīgā ātrumā no cilindra blokā iebūvētā sūkņa ātruma.

2. opcija (galvenais kontūrs DHW un telpas apsilde/dzesēšana)

Ja otrs sūknis tiek izmantots galvenajā kontūrā starp cilindra bloku un ārējo iekārtu (TIKA) iepakota modeļa sistēmā, signāla kabelis jāpievieno TBO.1 spaiļei 1 un 2 (OUT1). Šajā pozīcijā sūkņa ātrumam **JĀATBILST** cilindra blokā iebūvētā sūkņa ātrumam.

Piezīme. Skatiet sadaļu 5.2 „Ieeju/izeju savienojumi”.

Āra siltumsūkņa iekārta		Ūdens plūsmas ātruma diapazons [L/min.]
Iepakots modelis	PUZ-WM50	6,5–14,3
	PUZ-WM60	8,6–17,2
	PUZ-WM85	10,8–24,4
	PUZ-WM112	14,4–32,1
	PUZ-HWM140	17,9–36,9
Dalītais modelis	SUZ-SWM40	6,5–11,4
	SUZ-SWM60	7,2–17,2
	SUZ-SWM80	7,8–21,5
	PUD-S(H)WM60	9,0–22,9
	PUD-S(H)WM80	9,0–22,9
	PUD-S(H)WM100	14,3–34,4
	PUD-S(H)WM120	14,3–34,4
	PUD-SHWM140	14,3–34,4
	PUHZ-FRP71	11,5–22,9
	PUHZ-SW75	10,2–22,9
	PUHZ-SW100	14,4–32,1
	PUHZ-SW120	20,1–36,9
	PUHZ-SHW80	10,2–22,9
	PUHZ-SHW112	14,4–32,1
	PUHZ-SHW140	17,9–36,9
	PUMY-P112	17,9–35,8
PUMY-P125	17,9–35,8	
PUMY-P140	17,9–35,8	

<4.3.1. tabula>

* Ja ūdens plūsmas ātrums ir mazāks par plūsmas sensora plūsmas ātruma minimālo iestatījumu (pēc noklusējuma – 5,0 L/min.), parādīsies plūsmas ātruma kļūda.

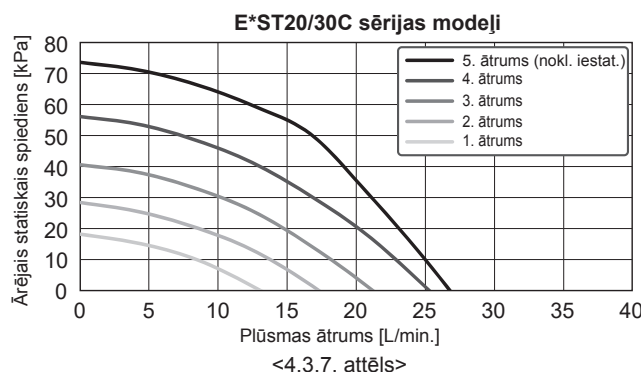
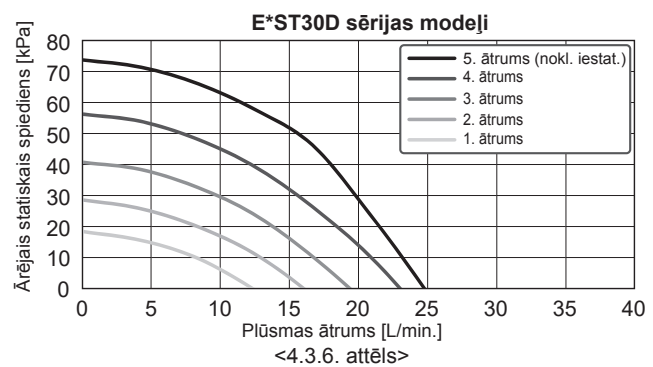
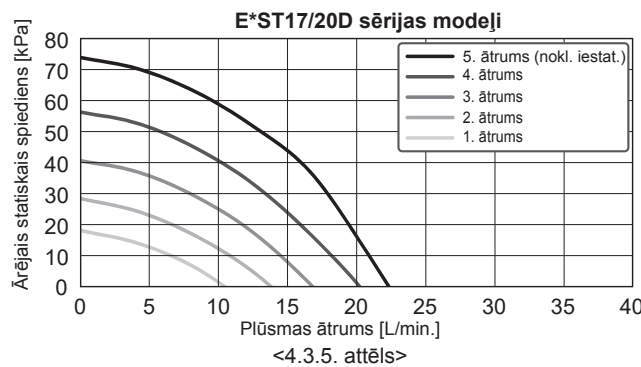
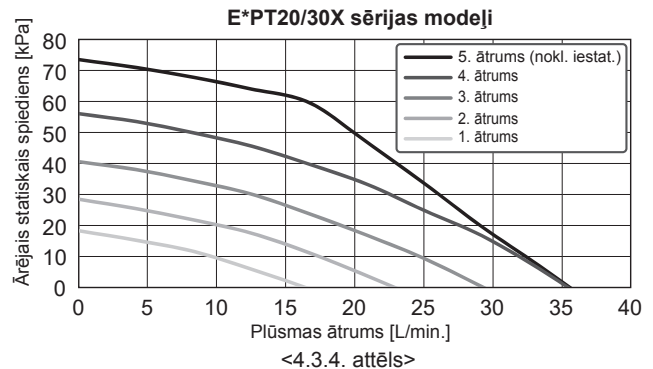
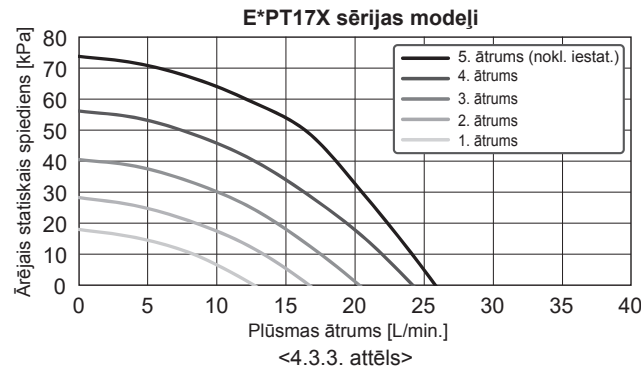
Ja ūdens plūsmas ātrums pārsniedz 36,9 L/min. (E**T20/30 sērijas modeļiem) vai 25,8 L/min. (E**T17 sērijas modeļiem), plūsmas ātrums būs lielāks par 2,0 m/s, kas var sabojāt caurules.

2. Sanitārais kontūrs

Noklusējuma iestatījums: 2. ātrums

DHW cirkulācijas sūknis JĀIESTATA 2. ātrumā.

Ūdens cirkulācijas sūkņa raksturlielumi



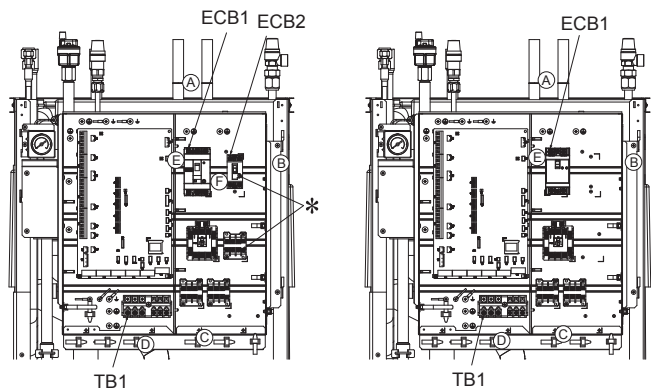
*Uzstādot E*PT sērijas modeļus, iestatiet sūkņa ātrumu ar spiediena kritumu starp cilindra bloku un ārējo iekārtu, ņemot vērā ārējo statisko spiedienu.

4 Uzstādīšana

4.4 Elektriskais savienojums

Visi elektriskie darbi jāveic atbilstoši kvalificētam tehnikam. Šī noteikuma neievērošana var izraisīt nāvējošu elektrošoku vai ugunsgrēku. Tas arī anulēs produkta garantiju. Visai elektroinstalācijai jābūt saskaņā ar valsts elektroinstalācijas noteikumiem.

Aizsargslēdža saīsinājums	Skaidrojums
ECB1	Būstera sildītāja noplūdes aizsargslēdzis
ECB2	Iegremdes sildītāja noplūdes aizsargslēdzis
TB1	1. spaiļu bloks



<1. fāze (ar iegremdes sildītāju)>

<3. fāze (bez iegremdes sildītāja)>

Cilindra bloku var darbināt divos veidos.

1. Strāvas padeves kabelis iet no ārējās iekārtas uz cilindra bloku.
2. Cilindra blokam ir neatkarīgs barošanas avots.

Atkarībā no fāzes savienojumiem jābūt izveidotiem ar spailēm, kā tas redzams tālāk esošajos kreisās pusēs attēlos.

Būstera sildītājs un iegremdes sildītājs jāpievieno attiecīgajiem barošanas avotiem atsevišķi.

- Vietēji piegādātie vadi jāizvelk caur cilindra bloka augšpusē esošajām ieejām. (Skatīt <3.4. tabulu>.)
- Elektroinstalācija jāvada uz leju no vadības un elektriskās kārbas labās puses un jānostiprina vietā, izmantojot komplektācijā iekļautos klipšus.
- Vadi jāizvelk atsevišķi caur kabelu ieejām, kā parādīts tālāk.
 - Izejas vads
 - Iekštelpu-ārējās iekārtas vads
 - Elektroapgādes līnija (B.H.) / elektroapgādes līnija (I.H.) (papildu)
 - Signāla ieejas vadi
- Savienojiet ārējās iekārtas – cilindra bloka savienojuma kabeli ar TB1.
- Savienojiet būstera sildītāja strāvas padeves kabeli ar ECB1.
- Ja iekārta aprīkota ar iegremdes sildītāju, savienojiet strāvas padeves kabeli ar ECB2.



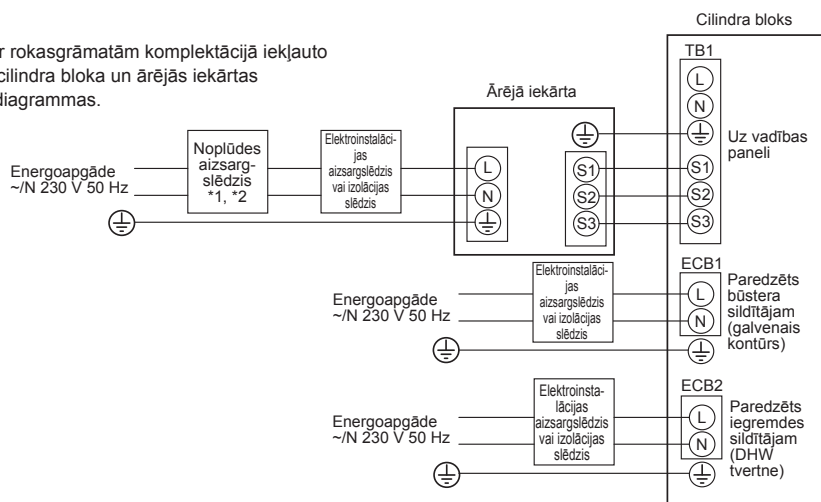
- Izvairieties no kontakta starp vadiem un daļām (*).
- Pārlicinieties, ka ECB1 un ECB2 ir IESLĒGTS.
- Pēc vadu saslēgšanas savienojiet galvenās tālvadības pults kabeli ar releja savienotāju.

Cilindra bloks, ko darbina ārējā iekārta

(Ja vēlaties izmantot neatkarīgu avotu, dodieties uz Mitsubishi tīmekļa vietni.)

<1. fāze>

Piestipriniet kopā ar rokasgrāmatām komplektācijā iekļauto etiķeti A pie katras cilindra bloka un ārējās iekārtas elektroinstalācijas diagrammas.



<4.4.1. attēls>
Elektrisko savienojumu 1. fāze

- *1. Ja uzstādītajam noplūdes aizsargslēdzim nav strāvas pārslodzes aizsargfunkcijas, uzstādiet šādas funkcijas aizsargslēdzi tajā pašā energopgādes līnijā.
- *2. Jānodrošina aizsargslēdzis ar vismaz 3,0 mm kontaktu atdalījumu katrā polā. Izmantojiet noplūdes aizsargslēdzi (NV). Aizsargslēdzis nepieciešams, lai nodrošinātu visu aktīvās fāzes vadu atvienošanu no padeves.
- *3. Maks. 45 m Izmantojot 2,5 mm², maks. 50 m Izmantojot 2,5 mm² un atdalot S3, maks. 80 m
- *4. Vērtības, kas norādītas iepriekš tabulā, ne vienmēr mērītas attiecībā pret pamatvērtību.

Apraksts	Energopgāde	Jauda	Aizsargslēdzis	Elektroinstalācija
Būstera sildītājs (galvenais kontūrs)	~N 230 V 50 Hz	2 kW	16 A *2	2,5 mm ²
		6 kW	32 A *2	6,0 mm ²
Iegremdes sildītājs (DHW tvertne)	~N 230 V 50 Hz	3 kW	16 A *2	2,5 mm ²

Elektroinstalācijas parametri	Elektroinstalācijas lācība x izmērs (mm ²)	Cilindra bloks – ārējā iekārta	
		Elektroinstalācijas lācība nr.	Elektroinstalācijas lācība nr. x izmērs (mm ²)
Kontūra parametri	Cilindra bloks – ārējā iekārta	S1 – S2	*4 230 V AC
		S2 – S3	*4 24 V DC

Piezīme. 1. Elektroinstalācijas izmēram jāatbilst piemērojamajiem vietējiem un valsts noteikumiem.

2. Iekštelpu iekārtas / ārējās iekārtas savienojuma vadi nedrīkst būt vieglāki par polihloroprēna pārklāto elastīgo vadu (standarts 60245 IEC 57).

Iekštelpu iekārtas strāvas padeves vadi nedrīkst būt vieglāki par polihloroprēna pārklāto elastīgo vadu (standarts 60227 IEC 53).

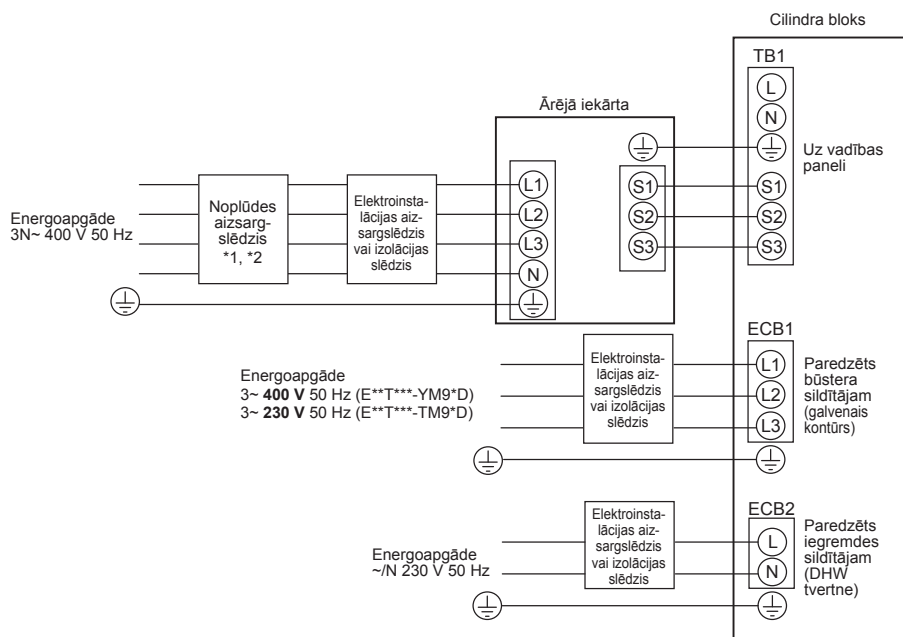
3. Uzstādītajam zemējuma kabelim jābūt garākam par pārējiem kabeliem.

4. Lūdzu, uzturiet pietiekamu katru sildītāja strāvas padeves jaudu. Nepietiekama strāvas padeves jauda var izraisīt vibrāciju.

4 Uzstādīšana

<3. fāze>

Piestipriniet kopā ar rokasgrāmatām komplektācijā iekļauto etiķeti A pie katras cilindra bloka un ārējās iekārtas elektroinstalācijas diagrammas.



<4.4.2. attēls>
Elektrisko savienojumu 3. fāze

Apraksts	Energoapgāde	Jauda (iekštelpu iekārtas dzes.)	Aizsargslēdzis	Elektroinstalācija
Būstera sildītājs (galvenais kontūrs)	3~ 400 V 50 Hz	9 kW	16 A *2	2,5 mm ²
	3~ 230 V 50 Hz	9 kW	32 A *2	6,0 mm ²
Iegremdes sildītājs (DHW tvertne)	~N 230 V 50 Hz	3 kW	16 A *2	2,5 mm ²

Elektroinstalācijas nr. x izmērs (mm ²)	Cilindra bloks – ārējā iekārta	*3	3 x 1,5 (polārais)
	Cilindra bloks – ārējās iekārtas zemējums	*3	1 x minim. 1,5
Kontūra parametri	Cilindra bloks – ārējā iekārta S1 – S2	*4	230 V AC
	Cilindra bloks – ārējā iekārta S2 – S3	*4	24 V DC

- *1. Ja uzstādītajam noplūdes aizsargslēdzim nav strāvas pārslodzes aizsargfunkcijas, uzstādiet šādas funkcijas aizsargslēdzi tajā pašā energoapgādes līnijā.
 *2. Jānodrošina aizsargslēdzis ar vismaz 3,0 mm kontaktu atdalījumu katrā polā. Izmantojiet noplūdes aizsargslēdzi (NV). Aizsargslēdzis nepieciešams, lai nodrošinātu visu aktīvās fāzes vadu atvienošanu no padeves.
 *3. Maks. 45 m
 Izmantojot 2,5 mm², maks. 50 m
 Izmantojot 2,5 mm² un atdalot S3, maks. 80 m
 *4. Vērtības, kas norādītas iepriekš tabulā, ne vienmēr mērītas attiecībā pret pamatvērtību.

Piezīme. 1. Elektroinstalācijas izmēram jāatbilst piemērojamajiem vietējiem un valsts noteikumiem.

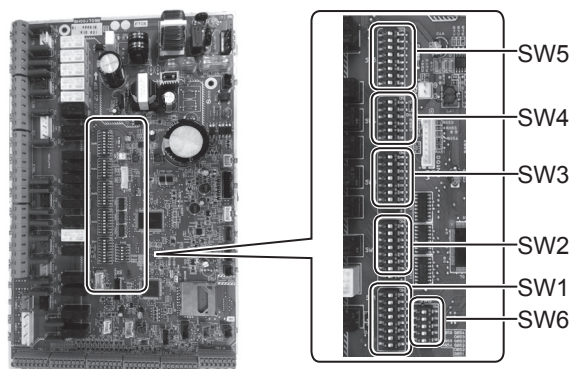
- Iekštelpu iekārtas / ārējās iekārtas savienojuma vadi nedrīkst būt vieglāki par polihloroprēna pārklāto elastīgo vadu (standarts 60245 IEC 57). Iekštelpu iekārtas strāvas padeves vadi nedrīkst būt vieglāki par polihloroprēna pārklāto elastīgo vadu (standarts 60227 IEC 53).
- Uzstādītajam zemējuma kabelim jābūt garākam par pārējiem kabeļiem.
- Lūdzu, uzturiet pietiekamu katra sildītāja strāvas padeves jaudu. Nepietiekama strāvas padeves jauda var izraisīt vibrēšanu.

5 Sistēmas iestatīšana

5.1 DIP slēdža funkcijas

DIP slēdža numurs ir uzdrukāts uz shēmas plates blakus attiecīgajiem slēdžiem. Vārds ON (ieslēgts) ir uzdrukāts uz shēmas plates un paša DIP slēdža bloka. Lai pārvietotu slēdzi, jāizmanto adata, plāna metāla lineāla stūris vai tam līdzīgs materiāls.

DIP slēdža iestatījumi ir uzskaitīti 5.1.1. tabulā. Tikai pilnvarots uzstādītājs drīkst mainīt DIP slēdža iestatījumu uz savu atbildību un atbilstoši uzstādīšanas nosacījumiem. Pirms slēdža iestatījumu mainīšanas obligāti izslēdziet gan iekštelpu iekārtas, gan ārējās iekārtas energoapgādes avotus.



<5.1.1. attēls>

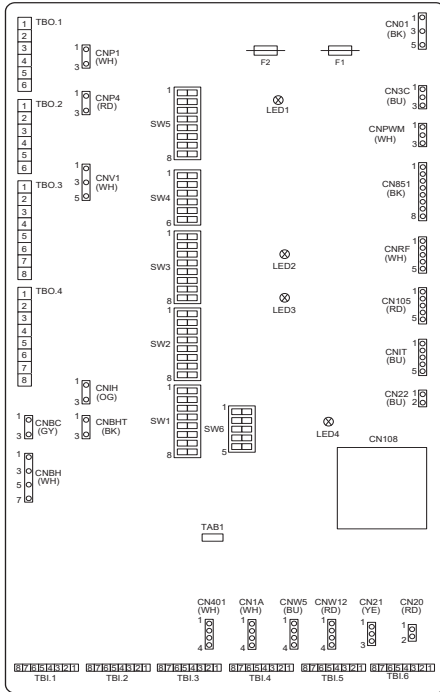
DIP slēdzis	Funkcija	Izsl.	Iesl.	Noklusējuma iestatījumi: iekštelpu iekārtas modelim			
SW1	SW1-1 Katls	BEZ katla	AR katlu	Izsl.			
	SW1-2 Siltumsūkņa maksimālā izplūdes ūdens temperatūra	55°C	60°C	Iesl. *1			
	SW1-3 DHW tvertne	BEZ DHW tvertnes	AR DHW tvertni	Iesl.			
	SW1-4 Iegremdes sildītājs	BEZ iegremdes sildītāja	AR iegremdes sildītāju	Izsl.: Iznemot EHPT20X-MHEDW Iesl.: EHPT20X-MHEDW			
	SW1-5 Būstera sildītājs	BEZ būstera sildītāja	AR būstera sildītāju	Izsl.: E**T***-M*ED* Iesl.: E**T***-M 2/6/9*D			
	SW1-6 Būstera sildītāja funkcija	Tikai apsildei	Apsildei un DHW	Izsl.: E**T***-M*ED* Iesl.: E**T***-M 2/6/9*D			
	SW1-7 Ārējās iekārtas tips	Dalīta modeļa tips	Iepakota modeļa tips	Izsl.: E*ST***-M**D Iesl.: E*PT**X-*M**D*			
	SW1-8 Bezvadu tālvadības pults	BEZ bezvadu tālvadības pults	AR bezvadu tālvadības pulti	Izsl.			
SW2	SW2-1 Istabas termostata 1 ieejas (IN1) loģikas maiņa	1. zonas darbības apturēšana pie 1sā termostata cikla	1. zonas darbības apturēšana pie termostata atvēršanas	Izsl.			
	SW2-2 Plūsmas slēdža 1 ieejas (IN2) loģikas maiņa	Kļūmes noteikšana pie 1sā cikla	Kļūmes noteikšana pie atvēršanas	Izsl.			
	SW2-3 Būstera sildītāja jaudas ierobežojums	Neaktīvs	Aktīvs	Izsl.: Iznemot E**T***-VM2*D Iesl.: E**T***-VM2*D			
	SW2-4 Dzesēšanas režīma funkcija	Neaktīvs	Aktīvs	Izsl.: EH*T***-M**D* Iesl.: ER*T***-M**D			
	SW2-5 Automātiska pārslēgšanās uz rezerves apsildes avota darbību (kad ārējā iekārta apstājas kļūdas dēļ)	Neaktīvs	Aktīvs *2	Izsl.			
	SW2-6 Maisīšanas tvertne	BEZ maisīšanas tvertnes	AR maisīšanas tvertni	Izsl.			
	SW2-7 2. zonas temperatūras kontrole	Neaktīvs	Aktīvs *6	Izsl.			
	SW2-8 Plūsmas sensors	BEZ plūsmas sensora	AR plūsmas sensoru	Iesl.			
SW3	SW3-1 Istabas termostata 2 ieejas (IN6) loģikas maiņa	2. zonas darbības apturēšana pie 1sā termostata cikla	2. zonas darbības apturēšana pie termostata atvēršanas	Izsl.			
	SW3-2 Plūsmas slēdža 2 un 3 ieejas loģikas maiņa	Kļūmes noteikšana pie 1sā cikla	Kļūmes noteikšana pie atvēršanas	Izsl.			
	SW3-3 Trīsvirzienu vārsta tips	Mainstrāvas dzinējs	Soļdzinējs	Izsl.: Iznemot E**T17X/17D/20D-*M**D* Iesl.: E**T17X/17D/20D-*M**D			
	SW3-4 Elektroenerģijas skaitītājs	BEZ elektroenerģijas skaitītāja	AR elektroenerģijas skaitītāju	Izsl.			
	SW3-5 Apsildes režīma funkcija *3	Neaktīvs	Aktīvs	Iesl.			
	SW3-6 2. zonas vārsta iesl./izsl. kontrole	Neaktīvs	Aktīvs	Izsl.			
	SW3-7 DHW paredzētais siltummainis	Spole tvertnē	Ārējās plāksnes siltummainis	Iesl.			
	SW3-8 Siltuma skaitītājs	BEZ siltuma skaitītāja	AR siltuma skaitītāju	Izsl.			
SW4	SW4-1	—	—	Izsl.			
	SW4-2	—	—	Izsl.			
	SW4-3	—	—	Izsl.			
	SW4-4 Tikai iekštelpu iekārtas darbība (uzstādīšanas darbu laikā) *4	Neaktīvs	Aktīvs	Izsl.			
	SW4-5 Avārijas režīms (tikai sildītāja darbība)	Parasts	Avārijas režīms (tikai sildītāja darbība)	Izsl. *5			
	SW4-6 Avārijas režīms (katla darbība)	Parasts	Avārijas režīms (katla darbība)	Izsl. *5			
SW5	SW5-1	—	—	Izsl.			
	SW5-2 Uzlabota autom. pielāgošana	Neaktīvs	Aktīvs	Iesl.			
	SW5-3	Jaudas kods					
	SW5-4		SW5-3	SW5-4	SW5-5	SW5-6	SW5-7
	SW5-5	E**T**C-*M**D	Iesl.	Iesl.	Iesl.	Iesl.	Izsl.
	SW5-6	E**T**D-*M**D	Iesl.	Izsl.	Izsl.	Iesl.	Izsl.
	SW5-7	E**T**X-*M**D*	Izsl.	Izsl.	Izsl.	Izsl.	Izsl.
	SW5-8	—	—	—	—	—	Izsl.
SW6	SW6-1	—	—	—	Izsl.		
	SW6-2	—	—	—	Izsl.		
	SW6-3 Spiediena sensors	Neaktīvs	—	Aktīvs	Izsl.: Iznemot E*ST**D-*M**D Iesl.: E*ST**D-*M**D		
	SW6-4 Analogais izejas signāls (0–10 V)	Neaktīvs	—	Aktīvs	Izsl.		
	SW6-5	—	—	—	Izsl.		

<5.1.1. tabula>

- Piezīme. *1. Ja cilindra bloks ir savienots ar PUMY-P ārējo iekārtu, kuras maksimālā izplūdes ūdens temperatūra ir 55 °C, DIP SW1-2 jānomaina pozīcijā OFF (Izslēgts).
 *2. Būs pieejama ārējā izeja (OUT11). Drošības apsvērumu dēļ šī funkcija nav pieejama atsevišķām kļūmēm. (Šādā gadījumā jāaptur sistēmas darbība, un darbojas tikai ūdens cirkulācijas sūkņi.)
 *3. Šis slēdzis darbojas tikai tad, ja cilindra bloks ir savienots ar PUHZ-FRP ārējo iekārtu. Ja tiek pievienota cita tipa ārējā iekārta, apsildes režīma funkcija ir aktīva neatkarīgi no tā, vai šis slēdzis atrodas ieslēgtā vai izslēgtā pozīcijā.
 *4. Telpas apsildes un DHW funkcija iespējama, izmantojot tikai iekštelpu iekārtu, piemēram, elektrisko sildītāju. (Skatīt sadaļu „5.4 Tikai iekštelpu iekārtas darbība”.)
 *5. Ja avārijas režīms vairs nav nepieciešams, atgrieziet slēdzi izslēgtā pozīcijā.
 *6. Funkcija aktīva tikai tad, ja SW3-6 atrodas izslēgtā pozīcijā.

5 Sistēmas iestatīšana

5.2 Ieeju/izeju savienojumi



<5.2.1. attēls>

Elektroinstalācijas specifikācija un vietēji piegādātās daļas

Elements	Nosaukums	Modelis un specifikācijas
Signāla ieejas funkcija	Signāla ieejas vads	Izmantojiet apvalkotu vinila pārklājuma vadu vai kabeli. Maks. 30 m Vada tips: CV, CVS vai ekvivalents Vada izmērs: daudzstieplu vads 0,13 mm ² līdz 0,52 mm ² vienstieples vads: ø0,4 mm līdz ø0,8 mm
	Slēdzis	Bezsprieguma „a” kontakta signāls Tālvadības slēdzis: minimālā piemērojamā slodze 12 V DC, 1 mA

Piezīme.

Standarta vads jāapstrādā ar izolācijas pārklātu spaili (standartam DIN46228-4 atbilstošu tipu).

■ Signāla ieejas

Nosaukums	Spaiļu bloks	Savienotājs	Elements	Izsl. (atvērts)	Iesl. (īsa cikls)
IN1	TBI.1 7-8	—	Istabas termostata 1 ieeja *1	Skatīt informāciju par SW2-1 sadaļā <5.1 DIP slēdža funkcijas>.	
IN2	TBI.1 5-6	—	Plūsmas slēdža 1 ieeja	Skatīt informāciju par SW2-2 sadaļā <5.1 DIP slēdža funkcijas>.	
IN3	TBI.1 3-4	—	Plūsmas slēdža 2 ieeja (1. zona)	Skatīt informāciju par SW3-2 sadaļā <5.1 DIP slēdža funkcijas>.	
IN4	TBI.1 1-2	—	Pieprasījuma kontroles ieeja	Parasta	Apsildes avots izsl. / katla darbība *3
IN5	TBI.2 7-8	—	Āra termostata ieeja *2	Standarta darbība	Sildītāja darbība / katla darbība *3
IN6	TBI.2 5-6	—	Istabas termostata 2 ieeja *1	Skatīt informāciju par SW3-1 sadaļā <5.1 DIP slēdža funkcijas>.	
IN7	TBI.2 3-4	—	Plūsmas slēdža 3 ieeja (2. zona)	Skatīt informāciju par SW3-2 sadaļā <5.1 DIP slēdža funkcijas>.	
IN8	TBI.3 7-8	—	Elektroenerģijas skaitītājs 1		
IN9	TBI.3 5-6	—	Elektroenerģijas skaitītājs 2	*4	
IN10	TBI.2 1-2	—	Siltuma skaitītājs		
IN11	TBI.3 3-4	—	Viedtīkla ievade	*5	
IN12	TBI.3 1-2	—			
INA1	TBI.4 1-3	CN1A	Plūsmas sensors	—	—

*1. Iestatiet istabas termostata iesl./izsl. cikla laiku uz 10 vai vairāk minūtēm, pretējā gadījumā var tikt bojāts kompresors.

*2. Ja sildītāju darbības kontrolēšanai tiek izmantots āra termostats, var samazināties sildītāju un to saistīto daļu kalpošanas laiks.

*3. Katla darbības ieslēgšanai izmantojiet galveno tālvadības pultī, lai apkalpošanas izvēlnes ekrānā „External input setting” (Ārējās ievades iestatījums) atlasītu „Boiler” (Katls).

*4. Pievienojamais elektroenerģijas skaitītājs un siltuma skaitītājs

- Impulsa tips Bezsprieguma kontakts 12 V līdzstrāvas noteikšanai, izmantojot FTC (TBI.2 1. kontaktam, TBI.3 5. un 7. kontaktam ir pozitīvs spriegums.)
- Impulsa ilgums Minimālais iesl. laiks: 40 ms
Minimālais izsl. laiks: 100 ms
- Iespējamā impulsa vienība 0,1 impulss/kWh 1 impulss/kWh 10 impulsi/kWh
100 impulsi/kWh 1000 impulsi/kWh

Šīs vērtības var iestatīt, izmantojot galveno tālvadības pultī. (Skatiet izvēlnes koka struktūru sadaļā „Galvenā tālvadības pults”.)

*5. Informāciju par viedtīkla ievadi skatiet sadaļā „5.5 Viedtīkla ievade”.

■ Termistora ieejas

Nosaukums	Spaiļu bloks	Savienotājs	Elements	Papildu daļas modelis
TH1	—	CN20	Termistors (istabas temp.) (papildu)	PAC-SE41TS-E
TH2	—	CN21	Termistors (šķidrā dzesētāja temp.)	—
THW1	—	CNW12 1-2	Termistors (aizplūstošā ūdens temp.)	—
THW2	—	CNW12 3-4	Termistors (recirkulējošā ūdens temp.)	—
THW5A	—	CNW5 1-2	Termistors (DHW tvertnes augstākā ūdens temp.)	—
THW5B	—	CNW5 3-4	Termistors (DHW tvertnes zemākā ūdens temp.)	—
THW6	TBI.5 7-8	—	Termistors (1. zonas aizplūstošā ūdens temp.) (papildu) *1	
THW7	TBI.5 5-6	—	Termistors (1. zonas recirkulācijas ūdens temp.) (papildu) *1	PAC-TH011-E
THW8	TBI.5 3-4	—	Termistors (2. zonas aizplūstošā ūdens temp.) (papildu) *1	
THW9	TBI.5 1-2	—	Termistors (2. zonas recirkulācijas ūdens temp.) (papildu) *1	PAC-TH011-E
THWB1	TBI.6 7-8	—	Termistors (no katla aizplūstošā ūdens temp.) (papildu) *1	PAC-TH012HT-E (5 m)/ PAC-TH012HTL-E (30 m)
THW10	TBI.6 5-6	—	Termistors (maisišanas tvertnes ūdens temp.) (papildu) *1	

Uzstādiet termistora vadojumu prom no elektroapgādes līnijas un/vai OUT1 uz 16 vadiem.

*1. Termistora vadojuma maksimālais garums ir 30 m.

Papildu termistoru vadojuma garums ir 5 m. Ja nepieciešams vadus sadalīt un pagarināt, veicami tālāk uzskaitītie punkti.

1) Savienojiet vadus ar lodēšanu.

2) Izolējiet katru savienojuma vietu pret puteļiem un ūdeni. Standarta vads jāapstrādā ar izolācijas pārklātu spaili (standartam DIN46228-4 atbilstošu tipu).

5 Sistēmas iestatīšana

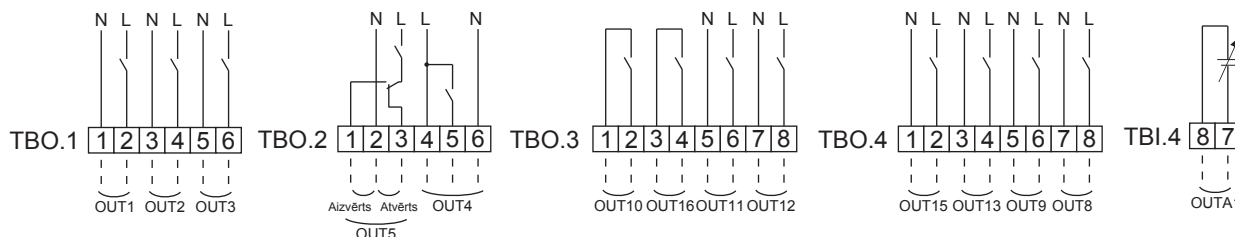
Izejas

Nosaukums	Spaiļu bloks	Savienotājs	Elements	Izsl.	Iesl.	Signāls / maks. strāva	Maks. kopējā strāva
OUT1	TBO.1 1-2	CNP1	Ūdens cirkulācijas sūkņa 1 izeja (telpas apsilde / dzesēšana un DHW)	Izsl.	Iesl.	230 V AC, maks. 1,0 A (izsītenstrāva maks. 40 A)	4,0 A (a)
OUT2	TBO.1 3-4	—	Ūdens cirkulācijas sūkņa 2 izeja (telpas apsilde / dzesēšana 1. zonai)	Izsl.	Iesl.	230 V AC, maks. 1,0 A (izsītenstrāva maks. 40 A)	
OUT3	TBO.1 5-6	—	Ūdens cirkulācijas sūkņa 3 izeja (telpas apsilde / dzesēšana 2. zonai) *1	Izsl.	Iesl.	230 V AC, maks. 1,0 A (izsītenstrāva maks. 40 A)	
OUT14	—	CNP4	Divvirzienu vārsta 2b izeja *2	Izsl.	Iesl.	230 V AC, maks. 1,0 A (izsītenstrāva maks. 40 A)	
OUT4	TBO.2 4-6	CNV1	Trīsvirzienu vārsta (divvirzienu vārsta) izeja	Apsilde	DHW	230 V AC, maks. 0,1 A	3,0 A (b)
	—	CN851	Trīsvirzienu vārsta izeja				
OUT5	TBO.2 1-2	—	Maisīšanas vārsta izeja *1	Apturēt	Aizvērts Atvērts	230 V AC, maks. 0,1 A	
	TBO.2 2-3						
OUT6	—	CNBH 1-3	Būstera sildītāja 1 izeja	Izsl.	Iesl.	230 V AC, maks. 0,5 A (relejs)	
OUT7	—	CNBH 5-7	Būstera sildītāja 2 izeja	Izsl.	Iesl.	230 V AC, maks. 0,5 A (relejs)	
OUT8	TBO.4 7-8	—	Dzesēšanas signāla izeja	Izsl.	Iesl.	230 V AC, maks. 0,5 A	
OUT9	TBO.4 5-6	CNIH	Iegremdes sildītāja izeja	Izsl.	Iesl.	230 V AC, maks. 0,5 A (relejs)	
OUT11	TBO.3 5-6	—	Kļūdas izeja	Parasta	Kļūda	230 V AC, maks. 0,5 A	
OUT12	TBO.3 7-8	—	Atkausēšanas izeja	Parasta	Atkausēšana	230 V AC, maks. 0,5 A	
OUT13	TBO.4 3-4	—	Divvirzienu vārsta 2a izeja *2	Izsl.	Iesl.	230 V AC, maks. 0,1 A	
OUT15	TBO.4 1-2	—	Komp. iesl. signāls	Izsl.	Iesl.	230 V AC, maks. 0,5 A	
OUT10	TBO.3 1-2	—	Katla izeja	Izsl.	Iesl.	Bezsprieguma kontakts ·220 - 240 V AC (30 V DC) 0,5 A vai mazāk ·10 mA, 5 V DC vai vairāk	—
OUT16	TBO.3 3-4	—	Apsildes/dzesēšanas termost. iesl. signāls	Izsl.	Iesl.		
OUTA1	TBI.4 7-8	—	Analogā izeja	0 - 10 V		0 - 10 V DC, maks. 5 mA	—

Neizveidojiet savienojumu ar spaiļiem, kas laukā „Terminal block” (Spaiļu bloks) apzīmētas ar „—”.

*1 Paredzēts 2. zonas temperatūras kontrolei.

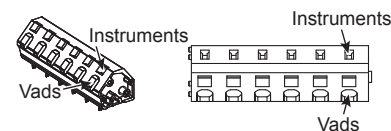
*2 Paredzēts 2. zonas vārsta iesl./izsl. kontrolei.



Kā izmantot TBO.1 līdz 4

Elektroinstalācijas specifikācija un vietēji piegādātās daļas

Elements	Nosaukums	Modelis un specifikācijas
Ārējās izejas funkcija	Izejas vadi	Izmantojiet apvalkotu vinila pārklājuma vadu vai kabeli. Maks. 30 m Vada tips: CV, CVS vai ekvivalents Vada izmērs: daudzstieņu vads 0,25 mm ² līdz 1,5 mm ² vienstieples vads: ø0,57 mm līdz ø1,2 mm



Savienojiet tos, izmantojot kādu no iepriekš minētajām metodēm.

<5.2.2. attēls>

Piezīme.

1. Ja cilindra bloks tiek darbināts, izmantojot ārējo iekārtu, maksimālā (a)+(b) kopējā strāva ir 3,0 A.

2. Nepievienojiet vairākus ūdens cirkulācijas sūkņus tieši katrai izejai (OUT1, OUT2 un OUT3). Šādā gadījumā pievienojiet tos, izmantojot (a) releju(s).

3. Nepievienojiet ūdens cirkulācijas sūkņus vienlaicīgi TBO.1 1-2 un CNP1.

4. Pievienojiet atbilstošu pārsprieguma absorbētāju OUT10 (TBO.3 1-2) atkarībā no uz vietas esošās slodzes.

5. Standarta vads jāapstrādā ar izolācijas pārklātu spaili (standartam DIN46228-4 atbilstošu tipu).

6. OUTA1 elektroinstalācijai izmantojiet to pašu signāla ieejas vadu.

5.3 Elektroinstalācija 2. zonas temperatūras kontrolei

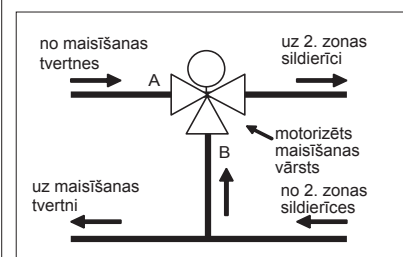
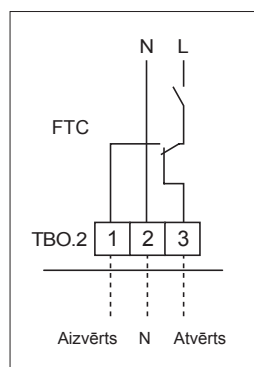
Savienojiet cauruļvadus un vietēji piegādātās daļas atbilstoši attiecīgajai kontūras diagrammai, kas iekļauta šīs rokasgrāmatas 3. sadaļā „Lokālā sistēma”.

<Maisīšanas vārsts>

Savienojiet signāla līniju ar atvērto A portu (karstā ūdens ieplūdes atveri) uz TBO. 2-3 (atvērts), ar atvērto B portu (aukstā ūdens ieplūdes atveri) uz TBO. 2-1 (aizvērts) un neitrālo spaiļu vadu uz TBO. 2-2 (N).

<Termistors>

- Neuzstādi termistorus uz maisīšanas tvertnes.
- Uzstādi 2. zonas plūsmas temp. termistoru (THW8) netālu no maisīšanas vārsta.
- Termistora vadojuma maksimālais garums ir 30 m.
- Papildu termistoru vadojuma garums ir 5 m. Ja nepieciešams vadus sadalīt un pagarināt, veicami tālāk uzskaitītie punkti.
 - 1) Savienojiet vadus ar lodēšanu.
 - 2) Izolējiet katru savienojuma vietu pret putekļiem un ūdeni.



5 Sistēmas iestatīšana

5.4 Tikai iekštelņu iekārtas darbība (uzstādīšanas darbu laikā)

Gadījumos, kad DHW vai apsildes darbības nepieciešams veikt pirms ārējās iekārtas pievienošanas, t.i., uzstādīšanas darbu laikā, iekštelņu iekārtā (*1) var izmantot elektrisko sildītāju.

*1 Modelis tikai ar elektrisko sildītāju.

1. Lai sāktu darbību:

- Pārbaudiet, vai ir izslēgta iekštelņu iekārtas strāvas padeve, un ieslēdziet DIP slēdzi 4-4 un 4-5.
- Ieslēdziet iekštelņu iekārtas strāvas padevi.

2. Lai beigtu darbību*2:

- Izslēdziet iekštelņu iekārtas strāvas padevi.
- Izslēdziet DIP slēdzi 4-4 un 4-5.

*2 Kad tikai iekštelņu iekārtas darbība ir pabeigta, pārbaudiet iestatījumus pēc ārējās iekārtas pievienošanas.

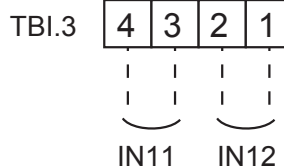
Piezīme.

Ja šī darbība tiek veikta pārāk ilgi, tas var ietekmēt elektriskā sildītāja kalpošanas laiku.

5.5 Viedtīkla ievade

DHW vai apsildes darbības laikā var izmantot tālāk tabulā norādītās komandas.

IN11	IN12	Skaidrojums
Izsl. (atvērts)	Izsl. (atvērts)	Parasta darbība
Iesl. (īssais cikls)	Izsl. (atvērts)	Ieslēdz ieteikumus
Izsl. (atvērts)	Iesl. (īssais cikls)	Izslēdz komandu
Iesl. (īssais cikls)	Iesl. (īssais cikls)	Ieslēdz komandu



5.6 SD atmiņas kartes lietošana

Cilindra bloks ir aprīkots ar SD atmiņas kartes saskarni FTC.

Lietojot SD atmiņas karti, var vienkāršot galvenās tālvadības pults iestatījumus un saglabāt darbības žurnālus. *1

*1 Lai varētu rediģēt galvenās tālvadības pults iestatījumus vai pārbaudīt darbības datus, nepieciešams rīks Ecodan (izmantošanai ar datoru).

<Piesardzības pasākumi>

- (1) Izmantojiet tādu SD atmiņas karti, kas atbilst SD karšu standartiem.
Pārbaudiet, vai uz SD kartes redzams kāds no labajā pusē norādītajiem logotipiem.
- (2) SD karšu standartiem atbilstošas SD kartes ir SD, SDHC, miniSD, micro SD un micro SDHC atmiņas kartes. Šīs kartes pieejamas ar ietilpību līdz 32 GB. Izvēlieties karti, kuras maksimāli atļautā temperatūra ir 55°C.
- (3) Ja sarūpēta mini SD, mini SDHC, micro SD vai micro SDHC atmiņas karte, izmantojiet SD atmiņas karšu adapteri.
- (4) Pirms informācijas saglabāšanas SD atmiņas kartē atlaidiet ierakstīšanas aizsargslēdzi.



- (5) Pirms SD atmiņas kartes ievietošanas vai izņemšanas izslēdziet sistēmu. Ja SD atmiņas karte tiek ievietota vai izņemta, kamēr sistēma ir ieslēgta, var sabojāt saglabātos datus vai SD atmiņas karti.
*SD atmiņas karte īsu brīdi pēc sistēmas izslēgšanas ir vēl elektrību vadoša. Pirms kartes ievietošanas vai izņemšanas uzgaidiet, līdz visi FTC vadības paneļa LED indikatori ir nodzisuši.
- (6) Nolasīšanas un rakstīšanas funkcijas ir pārbaudītas tālāk norādītajām SD atmiņas kartēm, tomēr šīs funkcijas netiek garantētas vienmēr, jo šo SD atmiņas karšu specifikācijas var mainīties.

- (7) Pārliecinieties, ka tiek ievēroti SD atmiņas kartes ražotāja norādījumi un prasības.
- (8) Formatējiet SD atmiņas karti, ja solī (6) konstatēts, ka karti nevar nolasīt. Tādējādi karte varētu tikt nolasīta.
Lejupielādējiet SD kartes formatētāju no SD asociācijas mājas lapas: <https://www.sdcard.org/home/>.
- (9) FTC atbalsta FAT failu sistēmu, bet neatbalsta NTFS failu sistēmu.
- (10) Mitsubishi Electric ne pilnībā, ne daļēji neuzņemas atbildību par radītajiem zaudējumiem, tostarp ierakstīšanas kļūmi SD atmiņas kartē, kā arī saglabāto datu sabojāšanu, zaudēšanu u.tml. Nepieciešamības gadījumā veidojiet saglabāto datu rezerves kopijas.
- (11) Ievietojot vai izņemot SD atmiņas karti, nepieskarities FTC vadības paneļa elektroniskajām daļām, pretējā gadījumā var rasties vadības paneļa darbības traucējumi.

Logotipi		
Ietilpība		
No 2 GB līdz 32 GB *2		
SD ātruma klases		
Visas		

- SD logotips ir SD-3C, LLC preču zīme.
- mini SD logotips ir SD-3C, LLC preču zīme.
- micro SD logotips ir SD-3C, LLC preču zīme.

*2 2 GB SD atmiņas kartē var saglabāt līdz pat 30 dienu darbības žurnāliem.

Ražotājs	Modelis	Testēts
Verbatim	#44015	2012. g. mar.
SanDisk	SDSDB-002G-B35	2011. g. okt.
Panasonic	RP-SDP04GE1K	2011. g. okt.
Arvato	2GB PS8032 TSB 24nm MLC	2012. g. jūn.
Arvato	2GB PS8035 TSB A19nm MLC	2014. g. jūl.
SanDisk	SDSDUN-008G-G46	2016. g. okt.
Verbatim	#43961	2016. g. okt.
Verbatim	#44018	2016. g. okt.
VANTASTEK	VSDHC08	2017. g. sep.

Pirms jaunas SD atmiņas kartes izmantošanas (ieskaitot karti, kas iekļauta iekārtas komplektācijā) vienmēr pārbaudiet, vai FTC vadības ierīce spēj droši nolasīt SD atmiņas karti un ierakstīt tajā informāciju.

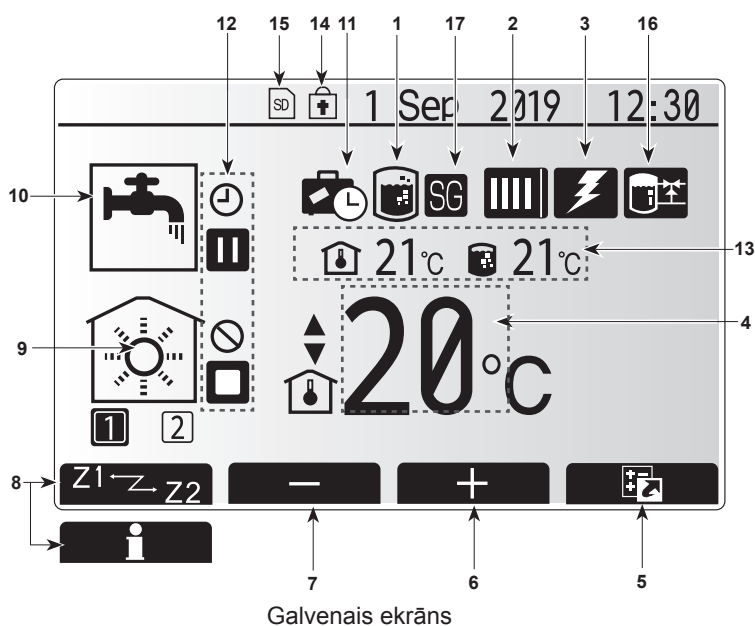
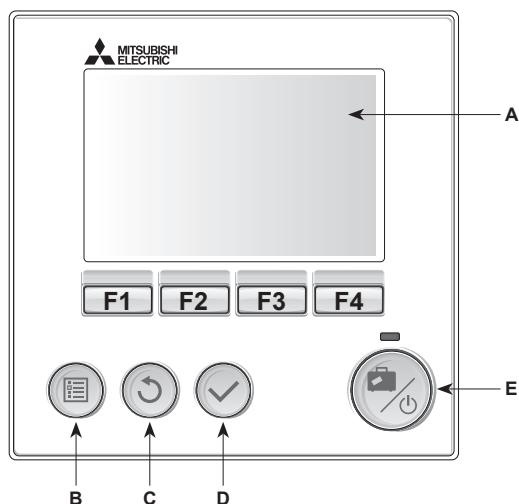
<Kā pārbaudīt nolasīšanas un ierakstīšanas funkciju>

- a) Pārbaudiet, vai strāvas padeve ir pareizi pieslēgta sistēmai. Plašāku informāciju skatiet sadaļā 4.5.
(Šajā brīdī neslēdziet sistēmu.)
- b) Ievietojiet SD atmiņas karti.
- c) Ieslēdziet sistēmu.
- d) Iedegas LED4 indikators, ja nolasīšanas un rakstīšanas darbības ir veiksmīgi pabeigtas. Ja LED4 indikators turpina mirgot vai neiedegas, FTC vadības ierīce nespēj nolasīt SD atmiņas karti vai ierakstīt tajā informāciju.

5 Sistēmas iestatīšana

5.7 Galvenā tālvadības pults

Lai mainītu apsildes/dzesēšanas sistēmas iestatījumus, izmantojiet galveno tālvadības pulti, kas atrodas uz cilindra bloka vai hidroķārbas priekšējā paneļa. Tālāk tiek apskatīti galvenie iestatījumi. Ja jums nepieciešama papildinformācija, sazinieties ar iekārtas uzstādītāju vai vietējo Mitsubishi Electric izplatītāju. Dzesēšanas režīms ir pieejams tikai ERS sērijas iekārtām. Tomēr dzesēšanas režīms nav pieejams, kad iekārtu iekārta ir pieslēgta siltumsūkņim PUHZ-FRP.



Galvenais ekrāns

<Galvenās tālvadības pults daļas>

Burts	Nosaukums	Funkcija
A	Ekrāns	Ekrāns, kurā tiek rādīta visa informācija.
B	Izvēlne	Pieklūve sistēmas iestatījumiem sākotnējās uzstādīšanas un modifikāciju veikšanai.
C	Atpakaļ	Atgriezties atpakaļ iepriekšējā izvēlnē.
D	Apstiprināt	Tiek izmantots, lai atlasītu vai saglabātu. (Enter taustiņš)
E	Ieslēgšana/Brīvdiena	Ja sistēma ir izslēgta, tad nospiežot šo spiedpogu vienu reizi, sistēma tiks ieslēgta. Nospiežot to vēlreiz, kamēr sistēma ir ieslēgta, tiks iespējots Brīvdienas režīms. Turot nospiestu šo spiedpogu 3 sekundes, sistēma tiks izslēgta. (*1)
F1-4	Funkcionālie taustiņi	Tiek lietoti, lai rītinātu izvēlni un koriģētu iestatījumus. Funkciju nosaka izvēlnes ekrāns, kas redzams ekrānā A.

*1

Ja sistēma ir izslēgta vai strāvas padeve ir atvienota, cilindra bloka aizsardzības funkcijas (piem., saldēšanas statiskā funkcija) **NEDARBOJAS**. Ņemiet vērā, ka bez šīm drošības funkcijām cilindra bloks var tikt sabojāts.

<Galvenā ekrāna ikonas>

	Ikona	Apraksts
1	Legionellu novēršana	Ja ir parādīta šī ikona, „Legionellu novēršanas režīms” ir aktivizēts.
2	Siltumsūknis	„Siltumsūknis” darbojas.
		Atkausēšana
		Avārijas apsilde
		Ir aktivizēts „Klusais režīms”.
3	Elektriskais sildītājs	Ja ir parādīta šī ikona, „Elektriskie sildītāji” (būstera vai iegremdes sildītājs) tiek izmantoti.
4	Vēlamā temperatūra	Vēlamā pūsmas temperatūra
		Vēlamā istabas temperatūra
		Kompensācijas līkne
5	OPCIJA	Nospiežot funkcionālo taustiņu zem šīs ikonas, tiek parādīts opciju ekrāns.
6	+	Vēlamā temperatūra tiek palielināta.
7	-	Vēlamā temperatūra tiek samazināta.
8	Z1 Z2	Nospiežot funkcionālo taustiņu zem šīs ikonas, notiek pārslēgšana starp 1. un 2. zonām.
		Informācija
9	Telpas apsildes/dzesēšanas režīms	Apsildes režīms 1. zona vai 2. zona
		Dzesēšanas režīms 1. zona vai 2. zona
10	DHW režīms	Parastās darbības vai EKO režīms
11	Brīvdienas režīms	Ja ir parādīta šī ikona, „Brīvdienas režīms” ir aktivizēts.
12	[Icons]	Taimeris
		Aizliegts
		Servera uzraudzība
		Gaidstāve
		Gaidstāve (*2)
		Apturēt
		Darbojas
13	Pašreizējā temperatūra	Pašreizējā istabas temperatūra
		Pašreizējā DHW tvertnes ūdens temperatūra
14	[Icon]	Izvēlnes spiedpoga ir bloķēta, vai opciju ekrānā darbības režīmu pārslēgšana starp DHW un apsildes darbībām ir atspējota. (*3)
15	[SD Icon]	SD atmiņas karte ir ievietota. Parasta darbība.
		SD atmiņas karte ir ievietota. Nepareiza darbība.
16	Bufera tvertnes kontrole	Ja parādās šī ikona, „Buffer tank control” (Bufera tvertnes kontrole) ir aktivizēta.
17	Viedtīkla ievade	Ja parādās šī ikona, „Smart grid ready” (Viedtīkla ievade) ir aktivizēta.

*2 Šī iekārta atrodas gaidstāves režīmā, kamēr pēc prioritātes darbojas citas iekārtas.

*3 Lai bloķētu vai atbloķētu Izvēlni, vienlaikus nospiediet un 3 sekundes turiet taustiņus ATPAKAĻ, un APSTIPRINĀT.

5 Sistēmas iestatīšana

■ [Initial setting wizard] (Sākotnējās iestatīšanas vednis)

Pirmo reizi ieslēdzot galveno tālvadības pultī, automātiski tiek ieslēgts valodas iestatīšanas ekrāns, datuma/laika iestatīšanas ekrāns un galveno iestatījumu izvēlnes ekrāns. Ievadiet vēlamo skaitli, izmantojot funkciju taustiņus, un spiediet [CONFIRM] (Apstiprināt).

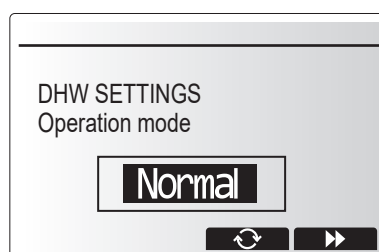
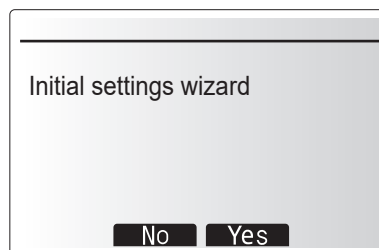
Piezīme.

<HEATER CAPACITY RESTRICTION> (Sildītāja jaudas ierobežojums)

Šis iestatījums ierobežo būstera sildītāja jaudu. Pēc palaišanas NAV iespējams mainīt šo iestatījumu.

Ja jūsu valstī netiek piemērotas īpašas prasības (piemēram, būvnoteikumi), izlaidiet šo iestatījumu (atlasiet „No” (Nē)).

- [Hot water (DHW/Legionella)] (Karstais ūdens (DHW/Legionella))
- [Heating]/[Cooling] (Apsilde)/(Dzesēšana)
- [Operation (ON/Prohibited/Timer)] (Darbība (Iesl./Aizliegts/Taimeris))
- [Pump speed] (Sūkņa ātrums)
- [Heat pump flow rate range] (Siltumsūkņa plūsmas ātruma diapazons)
- [Mixing valve control] (Maisīšanas vārsta kontrole)
- [HEATER CAPACITY RESTRICTION] (Sildītāja jaudas ierobežojums)



■ Galveno iestatījumu izvēlne

Galveno iestatījumu izvēlnei var piekļūt, nospiežot pogu [MENU] (Izvēlne). Lai samazinātu risku, ka neapmācīti galalietotāji nejauši maina iestatījumus, galvenajiem iestatījumiem ir divi piekļuves līmeņi, un apkalpošanas sadaļas izvēlne ir aizsargāta ar paroli.

Lietotāja līmenis – ātra piespiešana

Ātri nospiežot pogu [MENU] (Izvēlne) vienu reizi, parādīsies galvenie iestatījumi, taču bez rediģēšanas funkcijas. Tas ļaus lietotājam apskatīt pašreizējos iestatījumus, taču **NE** mainīt parametrus.

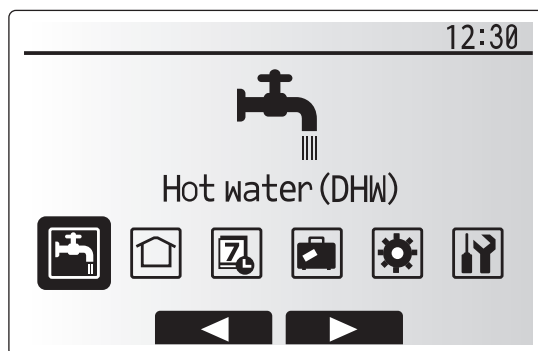
Uzstādītāja līmenis – ilgāka piespiešana

3 sekundes turot nospiestu pogu [MENU] (Izvēlne), parādīsies galvenie iestatījumi un visas pieejamās funkcijas.

Pogu ◀▶ krāsa ir apgriezta, kā redzams attēlā pa labi <5.7.1. att.>

Atkarībā no piekļuves līmeņa iespējams skatīt un/vai rediģēt šādus parametrus:

- [Domestic Hot water (DHW)] (Mājsaimniecības karstais ūdens (DHW));
- [Heating/Cooling] (Apsilde/Dzesēšana);
- [Schedule timer] (Grafika taimeris);
- [Holiday mode] (Brīvdienų režīms);
- [Initial settings] (Sākotnējie iestatījumi);
- [Service (Password protected)] (Apkalpošana (aizsargāta ar paroli)).



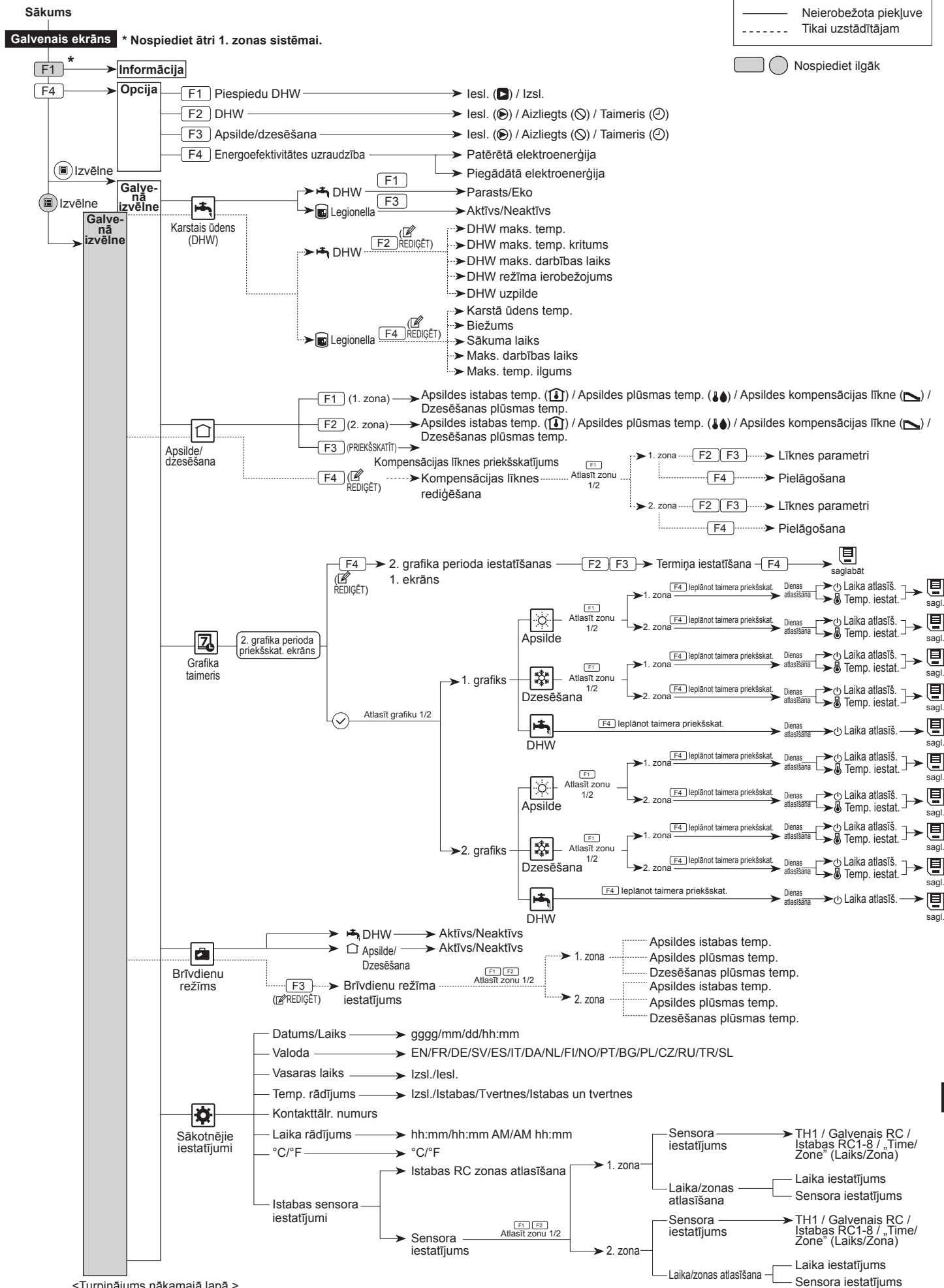
Galvenā izvēlne



<5.7.1. att.>

5 Sistēmas iestatīšana

<Galvenās vadības ierīces izvēlnes koks>

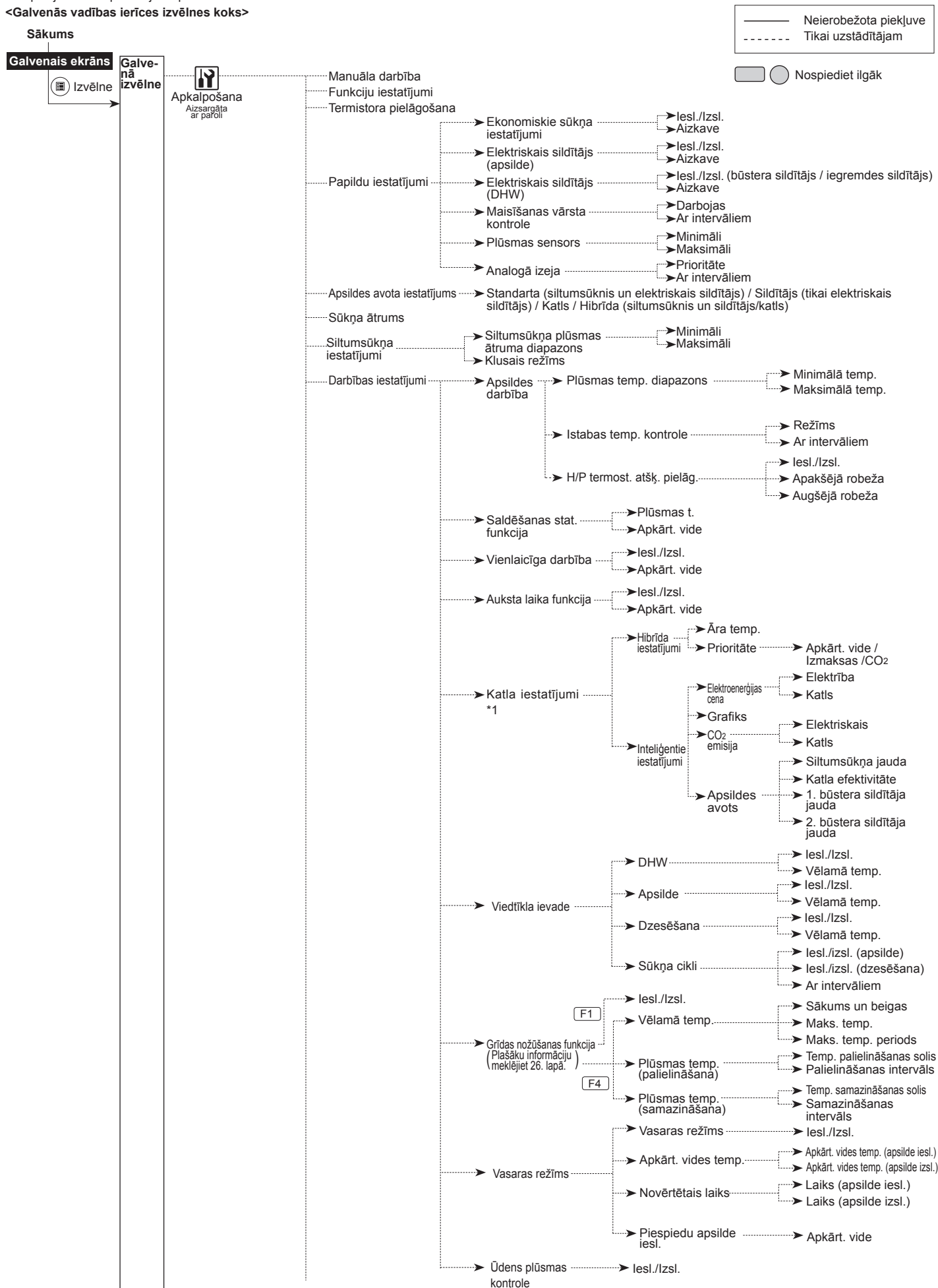


<Turpinājums nākamajā lapā.>

5 Sistēmas iestatīšana

<Turpinājums no iepriekšējās lapas.>

<Galvenās vadības ierīces izvēlnes koks>

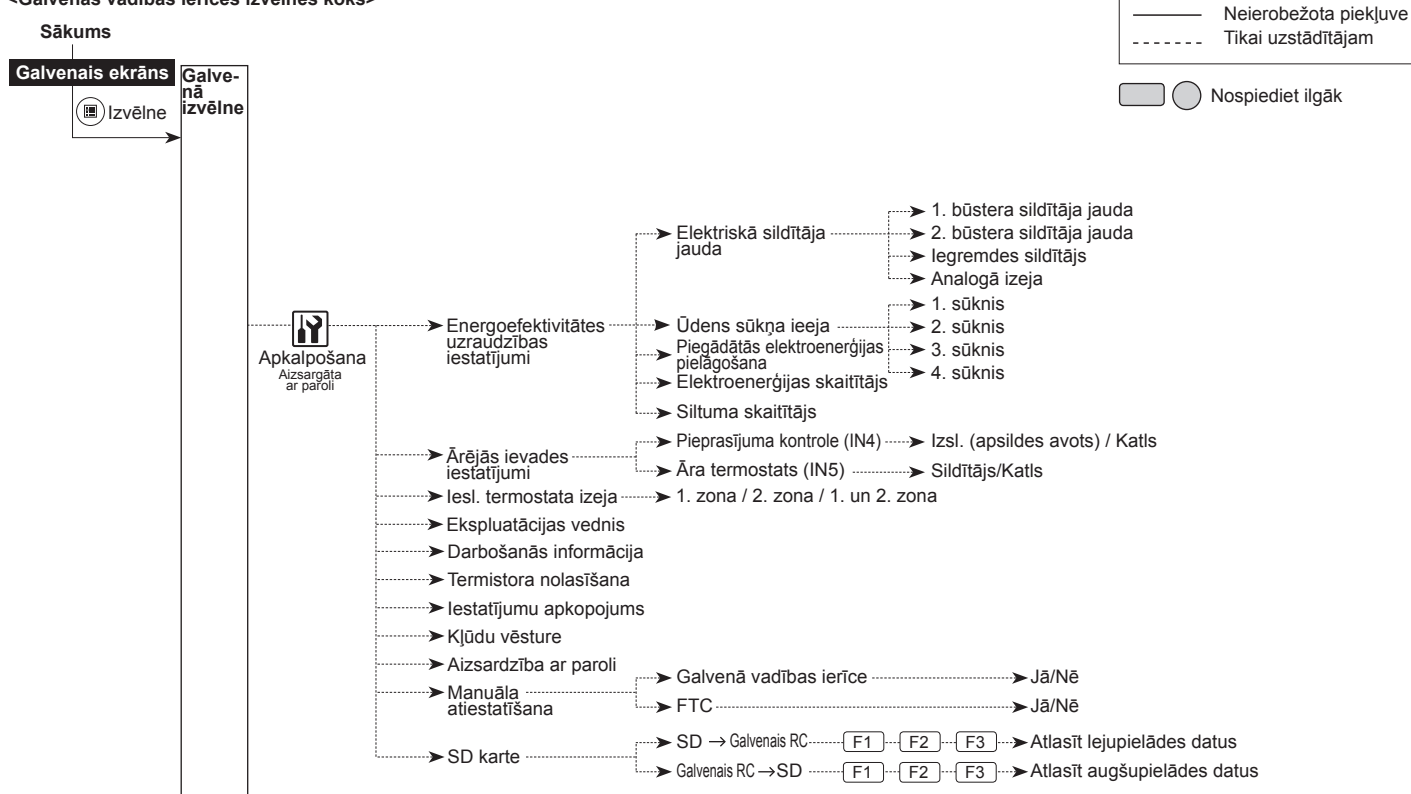


*1 Plašāku informāciju meklējiet uzstādīšanas rokasgrāmatā PAC-TH012HT-(L)E.

5 Sistēmas iestatīšana

<Turpinājums no iepriekšējās lapas.>

<Galvenās vadības ierīces izvēlnes koks>



Mājsaimniecības karstais ūdens (DHW) / Legionella novēršana

Mājsaimniecības karstā ūdens un Legionella baktēriju novēršanas izvēlnes regulē DHW tvertnes uzsildīšanas darbību.

<DHW režīma iestatījumi>

- Iezīmējiet karstā ūdens ikonu un spiediet [CONFIRM] (Apstiprināt).
- Izmantojot taustiņu F1, pārlēdzieties starp parasto un EKO apsildes režīmu.
- Lai redīgētu režīmu, 3 sekundes turiet nospiestu pogu [MENU] (Izvēlne) un pēc tam atlasiet „hot water” (karstais ūdens).
- Nospiediet taustiņu F2, lai izsauktu izvēlni [HOTWATER (DHW) SETTING] (Karstā ūdens (DHW) iestatīšana).
- Izmantojot taustiņu F2 un F3, ritiniet cauri izvēlnei un pēc kārtas atlasiet katru komponentu, nospiežot [CONFIRM] (Apstiprināt). Katra iestatījuma aprakstu skatiet tālāk tabulā.
- Ievadiet vēlamo skaitli, izmantojot funkciju taustiņus, un spiediet [CONFIRM] (Apstiprināt).



Izvēlnes apakšnosaukums	Funkcija	Diapazons	Iekārta	Noklusējuma vērtība
DHW maks. temp.	Uzglabātā karstā ūdens vēlamā temperatūra	40–60	°C	50
DHW maks. temp. kritums	Temperatūras atšķirība starp DHW maks. temp. un temperatūru, kurā atkārtoti tiek palaists DHW režīms	5–30 *	°C	10
DHW maks. darbības laiks	Maks. atļautais laiks uzglabātā ūdens uzsildīšanai DHW režīmā	30–120	min.	60
DHW režīma ierobežojums	Laika periods pēc DHW režīma, kad telpas apsildei ir prioritāte pār DHW režīmu, īslaicīgi apturot tālāku uzkrātā ūdens sildīšanu (Tikai tad, kad pagājis DHW maks. darbības laiks.)	30–120	min.	30

* Ja DHW maks. temp. ir iestatīta virs 55 °C, temperatūrai, kurā atkārtoti tiek palaists DHW režīms, jābūt mazākai par 50 °C, lai aizsargātu ierīci.

<Eko režīms>

DHW režīms var darboties vai nu parastajā, vai Eko režīmā. Parastajā režīmā ūdens DHW tvertnē uzsils daudz ātrāk, izmantojot pilnu siltumsūkņa jaudu. Eko režīmā ūdens DHW tvertnē uzsilst ilgāk, taču šī procesa laikā tiek samazināta patērētā enerģija. Tas notiek tāpēc, ka siltumsūkņa darbība tiek ierobežota, izmantojot signālus no FTC, pamatojoties uz izmērīto DHW tvertnes temperatūru.

Piezīme. Faktiskā enerģija, kas ietaupīta Eko režīmā, mainīsies atkarībā no āra temperatūras.

<[DHW recharge]> (DHW uzpilde)

Atlasiet DHW tilpumu. Ja nepieciešams daudz karstā ūdens, atlasiet opciju [LARGE] (Liels), bet palielinās izmaksas.

Atgriezieties DHW/Legionella novēršanas izvēlnē.

5 Sistēmas iestatīšana

Legionellu novēršanas režīma iestatījumi (LP režīms)

- Izmantojiet taustiņu F3, lai izvēlētos, vai aktivizēt Legionellu režīmu: [YES/NO] (Jā/Nē).
- Lai redīgētu Legionellu režīmu, 3 sekundes turiet nospiestu pogu [MENU] (Izvēlne), tad atlasiet „hot water” (karstais ūdens) un nospiediet taustiņu F4.
- Izmantojot taustiņu F1 un F2, ritiniet cauri izvēlnei un pēc kārtas atlasiet katru apakšnosaukumu, nospiežot [CONFIRM] (Apstiprināt). Katra iestatījuma aprakstu skatiet tālāk tabulā.
- Ievadiet vēlamo skaitli, izmantojot funkciju taustiņus, un spiediet [CONFIRM] (Apstiprināt).

Legionellu novēršanas režīma laikā uzkrātā ūdens temperatūra tiek uzkaršēta virs 60°C, lai novērstu legionella baktēriju vairošanos. Ļoti ieteicams šo procedūru veikt ar regulāriem intervāliem. Pārbaudiet vietējos noteikumus, lai noskaidrotu ieteicamo uzkaršēšanas reizi biežumu.

Piezīme. Ja hidrokārbā rodas darbības traucējumi, LP režīms var nedarboties pareizi.

Izvēlnes apakšnosaukums	Funkcija	Diapazons	Iekārta	Noklusējuma vērtība
Karstā ūdens temp.	Uzglabātā karstā ūdens vēlamā temp.	60–70	°C	65
Biežums	Laiks starp LP režīma DHW tvertnes uzkaršēšanas reizēm	1–30	diena	15
Sākuma laiks	LP režīma sākuma laiks	00:00–23:00	-	03:00
Maks. darbības laiks	Maksimāli atļautais laiks LP režīma DHW tvertnes uzkaršēšanai	1–5	stunda	3
Maks. temp. ilgums	Laika periods, pēc kura sasniegta LP režīma vēlamā ūdens temp.	1–120	min.	30

Lūdzu, ņemiet vērā, ka LP režīmā tiek izmantota elektrisko sildītāju palīdzība, lai nodrošinātu nepieciešamo siltumsūkņa enerģiju. Ūdens sildīšana ilgu laika periodu nav efektīva un tikai palielinās izmaksas. Uzstādītājam rūpīgi jāapsver legionella baktēriju novēršanas procedūras nepieciešamība, lieki netērējot enerģiju ar uzkrātā ūdens sildīšanu pārāk ilgu laiku. Galalietotājam jāizprot šīs funkcijas nozīmīgums.

VIENMĒR RĪKOJĒTIES ATBILSTOŠI VIETĒJĀM UN VALSTS VADLĪNĪJĀM ATTIECĪBĀ UZ LEGIONELLA BAKTĒRIJU NOVĒRŠANU.

[Initial Settings] (Sākotnējie iestatījumi)

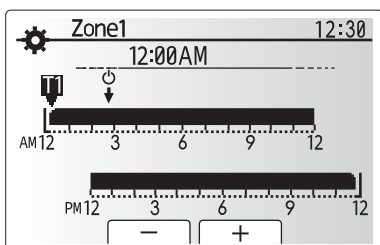
Sākotnējo iestatījumu izvēlnē uzstādītājs var iestatīt tālāk uzskaitītos parametrus.

- [Date/Time] (Datums/Laiks) *Iestatīt to uz vietējo laiku.
- [Language] (Valoda)
- [Summer time] (Vasaras laiks)
- [Temp. display] (Temp. rādījums)
- [Contact number] (Kontakttālruna numurs)
- [Time display] (Laika rādījums)
- [°C/°F]
- [Room sensor settings] (Istabas sensora iestatījumi)

Ņemiet vērā sadaļā „Vispārējie ekspluatācijas norādījumi” aprakstīto procedūru darbību iestatīšanai.

<[Room sensor settings]> (Istabas sensora iestatījumi)

Attiecībā uz istabas sensora iestatījumiem ir svarīgi izvēlēties pareizo istabas sensoru atkarībā no apsildes režīma, kādā darbosies sistēma.



Laika/zonas grafika iestatīšanas ekrāns

Izvēlnes apakšnosaukums	Apraksts	
Istabas RC zonas atlasīšana	Kad ir aktīva 2. zonas temperatūras kontrole un ir pieejamas bezvadu tālvadības pultis, ekrānā „Istabas RC zonas atlasīšana” izvēlieties zonas nr., ko piešķirt katrai galvenajai tālvadības pulstij.	
Sensora iestatījums	Sensora iestatīšanas ekrānā atlasiet istabas sensoru, ko izmantot istabas temperatūras uzraudzīšanai atsevišķi no 1. zonas un 2. zonas.	
	Kontroles opcija (Timekļa vietnes rokasgrāmatā)	Atbilstošais sākotnējais iestatījums istabas sensors
		1. zona 2. zona
	A	Istabas RC 1-8 (viens 1. zonai un viens 2. zonai) *1
	B	TH1 *1
	C	Galvenā tālvadības pults *1
	D	*1 *1
	Kad tiek izmantoti atšķirīgi istabas sensori saskaņā ar laika grafiku	Laiks/Zona*2 *1

*1. Nav norādīts (ja tiek izmantots vietēji piegādāts istabas termostats). Istabas RC 1-8 (viens 1. zonai un viens 2. zonai) (ja par istabas termostatu tiek izmantota bezvadu tālvadības pults).

*2. Sensora iestatīšanas ekrānā atlasiet Time/Zone (Laiks/Zona), lai varētu izmantot atšķirīgus istabas sensorus atbilstoši laika grafikam, kas iestatīts Select Time/Zone (Laika/zonas atlasīšanas) izvēlnē. Istabas sensorus var pārslēgt līdz pat 4 reizēm 24 stundu laikā.

[Service] (Apkalpošanas) izvēlne

Apkalpošanas izvēlnē atrodamas funkcijas, ko var izmantot uzstādītājs vai servisa inženieris. NAV paredzēts, ka šajā izvēlnē iekļautos iestatījumus maina mājas īpašnieks. Šī iemesla dēļ apkalpošanas iestatījumiem jābūt aizsargātiem ar paroli, lai novērstu neatļautu piekļuvi.

Rūpnīcas noklusējuma parole ir „0000”.

Ņemiet vērā sadaļā „Vispārējie ekspluatācijas norādījumi” aprakstīto procedūru darbību iestatīšanai.

Daudzas funkcijas nevar iestatīt, kamēr darbojas iekšējais iekārta. Pirms šo funkciju iestatīšanas uzstādītājam jāizslēdz iekārta. Ja uzstādītājs mēģinās mainīt iestatījumus, kamēr iekārta darbojas, galvenajā tālvadības pulstī parādīsies atgādinājuma ziņojums, kas aicinās uzstādītāju apturēt iekārtas darbību pirms tālāko procedūru veikšanas. Atlasot „Yes” (Jā), iekārtas darbība tiks apturēta.

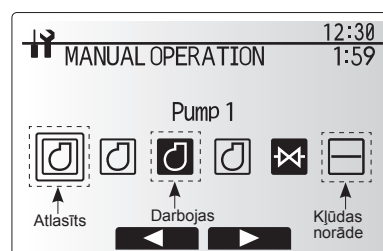
<[Manual operation]> (Manuāla darbība)

Sistēmas uzpildes laikā galvenā kontūra cirkulācijas sūkni un trīsvirzienu vārstu var manuāli pārslēgt, izmantojot manuālās darbības režīmu.

Izvēloties manuālās darbības režīmu, ekrānā parādās maza taimera ikona. Atlasot šo funkciju, tā atradīsies manuālās darbības režīmā maksimāli 2 stundas. Tas tādēļ, lai novērstu nejaušu un neatgriezenisku FTC pārslēgšanu.

► Piemērs

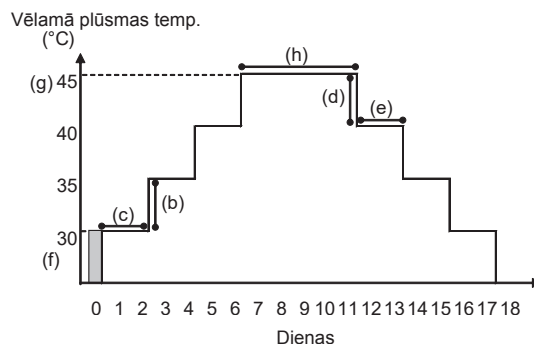
Nospiežot taustiņu F3, tiks ieslēgts manuālās darbības režīms galvenajam trīsvirzienu vārstam. Kad DHW tvertnes uzpildīšana ir pabeigta, uzstādītājam atkārtoti jāpiekļūst šai izvēlnei un jānospiež taustiņš F3, lai deaktivizētu daļas manuālo darbību. Vai arī pēc 2 stundu manuālās darbības režīms vairs nebūs aktīvs, un FTC var atkal pārņemt kontroli pār cilindru bloku.



Manuālās darbības izvēlnes ekrāns

5 Sistēmas iestatīšana

Manuālo darbību un apsildes avota iestatīšanu nevar atlasīt, ja sistēma darbojas. Parādīsies ekrāns, kurā uzstādītāju aicinās apturēt sistēmas darbību, lai varētu aktivizēt šos režīmus. Sistēma automātiski apstāsies pēc 2 stundām no pēdējās darbības veikšanas brīža.



- Šī funkcija nav pieejama, ja ir pievienota ārējā iekārta PUAZ-FRP.
- Atvienojiet vadus no ārējām istabas termostata ieejām, pieprasījuma kontroles un āra termostata, vai arī netiks uzturēta vēlamā plūsmas temperatūra.

<[Floor dry up function]> (Grīdas nožūšanas funkcija)

Grīdas nožūšanas funkcija automātiski sadala vēlamo karstā ūdens temperatūru posmos, lai pakāpeniski nožāvētu betonu, kad tiek uzstādīta šī īpašā veida zemgrīdas apsildes sistēma.

Pēc darbības pabeigšanas sistēma aptur visas darbības, izņemot saldēšanas stat. funkciju.

Attiecībā uz grīdas nožūšanas funkciju 1. zonas vēlamā plūsmas temperatūra ir līdzvērtīga 2. zonas temperatūrai.

Funkcijas	Simbols	Apraksts	Opcija/diapazons	Iekārta	Nokl. vērt.
Grīdas nožūšanas funkcija	a	Aktivizējiet funkciju un ieslēdziet sistēmu, izmantojot galveno tālvadības pultī, un tiks uzsākta nožūšanas darbība.	iesl./Izsl.	—	Izsl.
Plūsmas temp. (palielināšana)	b	Iestata vēlamās plūsmas temperatūras palielināšanas soli.	+1 – +10	°C	+5
	c	Iestata periodu, kādā tiek uzturēta tā pati vēlamā plūsmas temperatūra.	1–7	diena	2
Plūsmas temp. (samazināšana)	d	Iestata vēlamās plūsmas temperatūras samazināšanas soli.	-1 – -10	°C	-5
	e	Iestata periodu, kādā tiek uzturēta tā pati vēlamā plūsmas temperatūra.	1–7	diena	2
Vēlamā temperatūra	f	Iestata vēlamo plūsmas temperatūru darbības sākumā un beigās.	20–60	°C	30
	g	Iestata maksimālo vēlamo plūsmas temperatūru.	20–60	°C	45
	h	Iestata periodu, kādā tiek uzturēta maksimālā vēlamā plūsmas temperatūra.	1–20	diena	5

<[Password protection]> (Aizsardzība ar paroli)

Aizsardzība ar paroli ir pieejama, lai neapmācītas personas nevarētu piekļūt apkalpošanas izvēlnei.

Paroles atiestatīšana

Ja neatceraties paroli vai apkalpojat iekārtu, ko uzstādījis kāda cita persona, varat atiestatīt paroli uz rūpnīcas noklusējuma paroli: **0000**.

- Galveno iestatījumu izvēlnē ritiniet uz leju funkcijas, līdz iezīmējas apkalpošanas izvēlne.
- Nospiediet [CONFIRM] (Apstiprināt).
- Jums prasīs ievadīt paroli.
- 3 sekundes vienlaicīgi turiet nospiešus taustiņus F3 un F4.
- Jums prasīs, vai vēlaties turpināt un atiestatīt paroli uz noklusējuma paroli.
- Lai atiestatītu paroli, nospiediet taustiņu F3.
- Parole ir atiestatīta uz **0000**.

<[Manual reset]> (Manuāla atiestatīšana)

Ja vēlaties jebkurā laikā atjaunot rūpnīcas iestatījumus, jāizmanto manuālās atiestatīšanas funkcija. Lūdzu, ņemiet vērā, ka šādā gadījumā uz rūpnīcas noklusējuma iestatījumiem tiks atiestatītas VISAS funkcijas.



Paroles ievades ekrāns



Paroles pārbaudes ekrāns

6 Nodošana ekspluatācijā

■ Pirms nodošanas ekspluatācijā veicamie pasākumi – dzeramā ūdens/DHW kontūrs

Sākotnējās uzpildes procedūra:

Gādājiet, lai visi cauruļu savienojumi un stiprinājumi ir cieši un droši.

Atveriet vistālāko DHW krānu/atveri.

Lēnām/pakāpeniski atgrieziet galveno ūdens padevi, lai sāktu iekārtas un DHW cauruļvadu uzpildi.

Ļaujiet ūdenim brīvi tecēt pa vistālāk esošo krānu un izlaidiet gaisu no iekārtas.

Aizgrieziet krānu/atveri, lai sistēma paliktu pilnībā uzpildīta.

Piezīme. Uzstādot iegremdes sildītāju, NEDARBINIET sildītāju, kamēr DHW tvertne nav uzpildīta ar ūdeni. Tāpat NEDARBINIET iegremdes sildītāju, ja DHW tvertne palikušas sterilizējošo ķīmikāliju atliekas, jo tas izraisīs priekšlaicīgus sildītāja darbības traucējumus.

Sākotnējās skalošanas procedūra:

Aktivizējiet sistēmu, lai uzsildītu cilindra bloka saturu aptuveni 30–40°C temperatūrā.

Izskalojiet/iztukšojiet ūdeni, lai likvidētu no uzstādīšanas darbiem palikušos atlikumus/netīrumus. Izmantojiet cilindra bloka izplūdes krānu, lai ar piemērotas šļūtenes palīdzību droši iztukšotu silto ūdeni.

Kad tas izdarīts, aizgrieziet izplūdes krānu, atkārtoti uzpildiet sistēmu un atsāciet sistēmas ekspluatāciju.

7 Apkalpošana un tehniskā apkope

■ Kļūdu kodi

Kods	Kļūda	Darbība
L3	Cirkulācijas ūdens temperatūras pārkaršanas aizsardzība	Var samazināt plūsmas ātrumu. Pārbaudiet: <ul style="list-style-type: none"> • ūdens noplūdi; • sietfiltra aizsprostojumu; • ūdens cirkulācijas sūkņa funkciju (kļūdas kods var parādīties galvenā kontūra uzpildes laikā, pilnīgas uzpildes laikā un kļūdas koda atiestatīšanas laikā).
L4	DHW tvertnes ūdens temperatūras pārkaršanas aizsardzība	Pārbaudiet iegremdes sildītāju un tā kontaktoru.
L5	Iekšējās iekārtas temperatūras termistora (THW1, THW2, THW5A, THW5B, THW6, THW7, THW8, THW9) kļūme	Pārbaudiet termistora pretestību.
L6	Cirkulācijas ūdens sasalšanas aizsardzība	Skatiet koda L3 darbību.
L8	Apsildes darbības kļūda	Pārbaudiet un pievienojiet atpakaļ atvienojušos termistorus.
L9	Plūsmas sensora vai plūsmas slēdža (1., 2., 3. plūsmas slēdža) konstatēts zems galvenā kontūra plūsmas ātrums	Skatiet koda L3 darbību. Ja nedarbojas pats plūsmas sensors vai plūsmas slēdzis, nomainiet to. Uzmanību! Sūkņa vārsti var būt karsti. Uzmanieties!
LA	Spiediena sensora kļūme	Pārbaudiet, vai spiediena sensora kabelis nav bojāts vai atvienojies.
LB	Augsta spiediena aizsardzība	<ul style="list-style-type: none"> • Var būt samazināts apsildes kontūra plūsmas ātrums. Pārbaudiet ūdens kontūru. • Var būt aizsērējis plāksņu siltummaiņš. Pārbaudiet plāksņu siltummaiņi. • Ārējās iekārtas kļūme. Skatiet ārējās iekārtas apkalpošanas rokasgrāmatu.
LC	Katla cirkulācijas ūdens temperatūras pārkaršanas aizsardzība	Pārbaudiet, vai katla apsildei iestatītā temperatūra pārsniedz ierobežojumu. (Skatiet termistoru rokasgrāmatu „PAC-TH012HT-E”) Var būt samazināts apsildes kontūra plūsmas ātrums no katla. Pārbaudiet: <ul style="list-style-type: none"> • ūdens noplūdi; • sietfiltra aizsprostojumu; • ūdens cirkulācijas sūkņa darbību.
LD	Katla temperatūras termistora (THWB1) kļūme	Pārbaudiet termistora pretestību.
LE	Katla darbības kļūda	Skatiet koda L8 darbību. Pārbaudiet katla stāvokli.
LF	Plūsmas sensora kļūme	Pārbaudiet, vai plūsmas sensora kabelis nav bojāts vai atvienojies.
LH	Katla cirkulācijas ūdens sasalšanas aizsardzība	Var būt samazināts apsildes kontūra plūsmas ātrums no katla. Pārbaudiet: <ul style="list-style-type: none"> • ūdens noplūdi; • sietfiltra aizsprostojumu; • ūdens cirkulācijas sūkņa darbību.
LJ	DHW darbības kļūda (ārējās plāksnes siltummaiņa tips)	<ul style="list-style-type: none"> • Pārbaudiet, vai nav atvienojies DHW tvertnes ūdens zemākās temp. termistors (THW5B). • Var būt samazināts sanitārā kontūra plūsmas ātrums. • Pārbaudiet ūdens cirkulācijas sūkņa darbību (galveno / sanitāro).
LL	DIP slēdžu iestatīšanas kļūdas FTC vadības panelī	Attiecībā uz katla darbību pārbaudiet, vai DIP SW1-1 ir iestatīts pozīcijā ON (iesl.) (ar katlu) un DIP SW2-6 ir iestatīts pozīcijā ON (iesl.) (ar maisīšanas tvertni). Attiecībā uz 2. zonas temperatūras kontroli pārbaudiet, vai DIP SW2-7 ir iestatīts pozīcijā ON (iesl.) (2. zona) un DIP SW2-6 ir iestatīts pozīcijā ON (iesl.) (ar maisīšanas tvertni).
LP	Ārējā siltumsūkņa iekārta ārpus ūdens plūsmas ātruma diapazona	Pārbaudiet uzstādīšanas 4.3.1. tabulu. Pārbaudiet tālvadības pults iestatījumus (Apkalpošanas izvēlne / siltumsūkņa plūsmas ātruma diapazons). Skatiet koda L3 darbību.
P1	Termistora (istabas temp.) (TH1) kļūme	Pārbaudiet termistora pretestību.
P2	Termistora (šķidrā dzesētāja temp.) (TH2) kļūme	Pārbaudiet termistora pretestību.
P6	Plāksņu siltummaiņa pretsasalšanas aizsardzība	Skatiet koda L3 darbību. Pārbaudiet, vai ir pietiekams dzesētāja daudzums.
J0	Komunikācijas kļūme starp FTC un bezvadu uztvērēju	Pārbaudiet, vai savienojuma kabelis nav bojāts vai atvienojies.
J1 – J8	Komunikācijas kļūme starp bezvadu uztvērēju un bezvadu tālvadības pulti	Pārbaudiet, vai bezvadu tālvadības pults baterijas nav izlādējušās. Pārbaudiet savienojumu pāri starp bezvadu uztvērēju un bezvadu tālvadības pulti. Pārbaudiet bezvadu komunikāciju. (Skatiet bezvadu sistēmas rokasgrāmatu.)
E0 – E5	Komunikācijas kļūme starp galveno tālvadības pulti un FTC	Pārbaudiet, vai savienojuma kabelis nav bojāts vai atvienojies.
E6 – EF	Komunikācijas kļūme starp FTC un ārējo iekārtu	Pārbaudiet, vai ārējā iekārta nav izslēgta. Pārbaudiet, vai savienojuma kabelis nav bojāts vai atvienojies. Skatiet ārējās iekārtas apkalpošanas rokasgrāmatu.
E9	Ārējā iekārta nesaņem signālu no iekšējās iekārtas.	Pārbaudiet, vai abas iekārtas ir ieslēgtas. Pārbaudiet, vai savienojuma kabelis nav bojāts vai atvienojies. Skatiet ārējās iekārtas apkalpošanas rokasgrāmatu.
EE	Kombinācijas kļūme starp FTC un ārējo iekārtu	Pārbaudiet FTC un ārējās iekārtas kombināciju.
U*, F*	Ārējās iekārtas kļūme	Skatiet ārējās iekārtas apkalpošanas rokasgrāmatu.
A*	M-NET komunikācijas kļūda	Skatiet ārējās iekārtas apkalpošanas rokasgrāmatu.

Piezīme. Lai atceltu kļūdu kodus, lūdzu, izslēdziet sistēmu (galvenajā tālvadības pultī nospiediet taustiņu F4 (ATIESTATĪT)).

7 Apkalpošana un tehniskā apkope

■ Ikgadējā apkope

Ir būtiski, lai cilindra bloku vismaz reizi gadā apkalpotu kvalificēts speciālists. Jebkādas nepieciešamās daļas jāiegādājas no Mitsubishi Electric. NEKAD neignorējiet drošības ierīces un nedarbiniet iekārtu bez šo ierīču atbilstošas funkcionēšanas. Plašāku informāciju skatiet apkalpošanas rokasgrāmatā.

Piezīme

- Pirmo pāris mēnešu laikā pēc uzstādīšanas noņemiet un iztīriet cilindra bloka sietfiltru un jebkādas papildu filtra komponentus, kas ārēji piestiprināti cilindra blokam. Tas ir īpaši svarīgi, veicot uzstādīšanu pie vecām/esošām cauruļvadu sistēmām.
- Spiediena samazināšanas vārsts (PRV) un temperatūras un spiediena samazināšanas vārsts (8., 20. un 21. punkts attēlā 3.1.) jāpārbauda reizi gadā, manuāli pagriežot pogu, lai tiktu izvadīts līdzeklis, tādējādi iztīrot blīvējuma vietas.

Papildus ikgadējai apkopei pēc noteikta sistēmas darbības laika nepieciešams nomainīt vai pārbaudīt dažas daļas. Konkrētāku informāciju skatiet tālāk tabulās. Daļu nomaņu un pārbaudi drīkst veikt tikai kompetents speciālists, kas izgājis attiecīgu apmācību un ieguvis nepieciešamo kvalifikāciju.

Daļas, kam nepieciešama regulāra nomaņa

Daļas	Jānomaina ik pēc	Iespējamās kļūmes
Spiediena samazināšanas vārsts (PRV) Manometrs Izplūdes kontroles grupa (ICG)*	6 gadiem	Ūdens noplūde

* UK PAREDZĒTAS PAPILDU DAĻAS

Daļas, kam nepieciešama regulāra pārbaude

Daļas	Jāpārbauda ik pēc	Iespējamās kļūmes
Spiediena samazināšanas vārsts (3 bāru) Temperatūras un spiediena samazināšanas vārsts	1 gada (manuāli pagriežot pogu)	PRV būtu nofiksēts un izplešanās trauks eksplodētu
Iegremdes sildītājs	2 gadiem	Noplūde uz zemi, izsaucot aizsargslēdža aktivizēšanu (sildītājs vienmēr ir izslēgts)
Ūdens cirkulācijas sūkņi (galvenais kontūrs)	20 000 st. (3 gadiem)	Ūdens cirkulācijas sūkņa kļūme

Daļas, ko apkalpošanas laikā NEDRĪKST izmantot atkārtoti

* O-veida gredzens

* Blīve

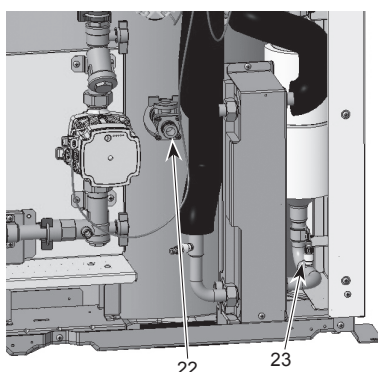
Piezīme.

- Katrā regulārās apkopes veikšanas reizē nomainiet veco sūkņa blīvi pret jaunu (ik pēc 20 000 lietošanas stundām vai ik pēc 3 gadiem).

<Cilindra bloka un tā sanitārās apsildes kontūra (lokālā) iztukšošana>

BRĪDINĀJUMS! IZLIETAIS ŪDENS VAR BŪT ĻOTI KARSTS

1. Pirms ūdens izliešanas no cilindra bloka izolējiet to no elektroapgādes, lai iegremdes un būstera sildītāji nepārdegtu.
2. Izolējiet aukstā ūdens padevi uz DHW tvertni.
3. Atveriet karstā ūdens krānu, lai ūdens varētu iztecēt, neveidojot vakuumu.
4. Pievienojiet šļūteni DHW tvertnes izplūdes krāniem (22. un 23. punkts 7.1. attēlā). Šļūtenei jāspēj izturēt karstums, jo izplūstošais ūdens var būt ļoti karsts. Šļūtenei jānovada ūdens uz vietu, kas ir zemāka par DHW tvertnes pamatni, lai nodrošinātu sifonēšanu. Sāciet ūdens izvadīšanu, atverot izplūdes krānu.
5. Kad DHW tvertne ir iztukšota, aizgrieziet izplūdes krānu un karsto krānu.
6. Attiecībā uz galveno kontūru pievienojiet šļūteni ūdens kontūra izplūdes krāniem (6. punkts 3.1. attēlā). Šļūtenei jāspēj izturēt karstums, jo izplūstošais ūdens var būt ļoti karsts. Šļūtenei jānovada ūdens uz vietu, kas ir zemāka par izplūdes krānu, lai nodrošinātu sifonēšanu. Atveriet sūkņa vārstus un sietfiltra vārstus.
7. Ūdens paliek sietfiltrā arī pēc cilindra bloka iztukšošanas. Iztukšojiet sietfiltru, noņemot tā vāku.



<7.1. attēls>

7 Apkalpošana un tehniskā apkope

Veidlapas inženieriem

Ja tiek mainīti noklusējuma iestatījumi, lūdzu, reģistrējiet jauno iestatījumu kolonnā „Lauka iestatījums”. Tas atvieglos atkārtotu iestatīšanu nākotnē, ja būs nepieciešams mainīt lietoto sistēmu vai aizstāt shēmas plati.

Ekspluatācijas/lauka iestatījumu reģistrācijas lapa

Galvenās tālvadības pults ekrāns		Parametri	Noklusējuma iestatījums	Lauka iestatījums	Piezīmes
Galvenais		1. zonas apsilde istabas temp.	10°C – 30°C	20°C	
		2. zonas apsilde istabas temp. *12	10°C – 30°C	20°C	
		1. zonas apsildes plūsmas temp.	20°C – 60°C	45°C	
		2. zonas apsildes plūsmas temp. *1	20°C – 60°C	35°C	
		1. zonas dzesēšanas plūsmas temp. *13	5°C – 25°C	15°C	
		2. zonas dzesēšanas plūsmas temp. *13	5°C – 25°C	20°C	
		1. zonas apsildes kompensācijas līkne	-9°C – +9°C	0°C	
		2. zonas apsildes kompensācijas līkne *1	-9°C – +9°C	0°C	
		Brīvdienu režīms	Aktīvs/Neaktīvs/Iestatīt laiku	—	
Opcija		Piespiedu DHW darbība	Iesl./Izsl.	—	
		DHW	Iesl./Izsl./Taimeris	Iesl.	
		Apsilde/Dzesēšana *13	Iesl./Izsl./Taimeris	Iesl.	
		Energoefektivitātes uzraudzība	Patērētā elektroenerģija / piegādātā elektroenerģija	—	
Iestatīšana	DHW	Darbības režīms	Parasts/Eko *15	Parasts	
		DHW maks. temp.	40°C – 60°C *2	50°C	
		DHW temp. kritums	5°C – 30°C	10°C	
		DHW maks. darbības laiks	30–120 min.	60 min.	
		DHW režīma ierobežojums	30–120 min.	30 min.	
		DHW uzpilde	Liela/Standarta	Standarta	
	Legionellu novēršana	Aktīvs	Jā/Nē	Jā	
		Karstā ūdens temp.	60°C – 70°C *2	65°C	
		Biežums	1–30 dienas	15 dienas	
		Sākuma laiks	00:00 – 23:00	03:00	
		Maks. darbības laiks	1–5 stundas	3 stundas	
		Maksimālās temp. ilgums	1–120 min.	30 min.	
	Apsilde/Dzesēšana *13	1. zonas darbības režīms	Apsildes istabas temp./ Apsildes plūsmas temp./ Apsildes kompensācijas līkne / Dzesēšanas plūsmas temp.	Istabas temp.	
		2. zonas darbības režīms *1	Apsildes istabas temp./ Apsildes plūsmas temp./ Apsildes kompensācijas līkne / Dzesēšanas plūsmas temp.	Kompensācijas līkne	
Kompensācijas līkne	Augstas plūsmas temp. iestat. punkts	1. zonas āra temp.	-30°C – +33°C *3	-15°C	
		1. zonas plūsmas temp.	20°C – 60°C	50°C	
	Zemas plūsmas temp. iestat. punkts	2. zonas āra temp. *1	-30°C – +33°C *3	-15°C	
		2. zonas plūsmas temp. *1	20°C – 60°C	40°C	
	Pielāgošana	1. zonas āra temp.	-28°C – +35°C *4	35°C	
		1. zonas plūsmas temp.	20°C – 60°C	25°C	
	2. zonas āra temp. *1	-28°C – +35°C *4	35°C		
	2. zonas plūsmas temp. *1	20°C – 60°C	25°C		
	1. zonas āra temp.	-29°C – +34°C *5	—		
	1. zonas plūsmas temp.	20°C – 60°C	—		
	2. zonas āra temp. *1	-29°C – +34°C *5	—		
	2. zonas plūsmas temp. *1	20°C – 60°C	—		
Brīvdienu režīms		DHW	Aktīvs/Neaktīvs	Neaktīvs	
		Apsilde/Dzesēšana *13	Aktīvs/Neaktīvs	Aktīvs	
		1. zonas apsilde istabas temp.	10°C – 30°C	15°C	
		2. zonas apsilde istabas temp. *12	10°C – 30°C	15°C	
		1. zonas apsildes plūsmas temp.	20°C – 60°C	35°C	
		2. zonas apsildes plūsmas temp. *1	20°C – 60°C	25°C	
		1. zonas dzesēšanas plūsmas temp. *13	5°C – 25°C	25°C	
		2. zonas dzesēšanas plūsmas temp. *13	5°C – 25°C	25°C	
Sākotnējie iestatījumi		Valoda	EN/FR/DE/SV/ES/IT/DA/NL/FI/NO/PT/BG/PL/CZ/RU/TR/SL	EN	
		°C/°F	°C/°F	°C	
		Vasaras laiks	Iesl./Izsl.	Izsl.	
		Temp. rādījums	Istaba / DHW tvertne / Istaba un DHW tvertne / Izsl.	Izsl.	
		Laika rādījums	hh:mm/HH:mm AM/AM hh:mm	hh:mm	
		Istabas sensora iestatījumi 1. zonai	TH1 / Galvenais RC / Istabas RC1-8 / „Time/Zone” (Laiks/Zona)	TH1	
		Istabas sensora iestatījumi 2. zonai *1	TH1 / Galvenais RC / Istabas RC1-8 / „Time/Zone” (Laiks/Zona)	TH1	
		Istabas RC zonas atlasīšana *1	1. zona / 2. zona	1. zona	
Apkalpošanas izvēle		Termistora pielāgošana	THW1 THW2 THW5A THW5B THW6 THW7 THW8 THW9 THW10 THWB1	-10°C – +10°C -10°C – +10°C -10°C – +10°C -10°C – +10°C -10°C – +10°C -10°C – +10°C -10°C – +10°C -10°C – +10°C -10°C – +10°C -10°C – +10°C	0°C 0°C 0°C 0°C 0°C 0°C 0°C 0°C 0°C 0°C
		Papildu iestatījumi	Ekonomiskie sūkņa iestatījumi. Elektriskais sildītājs (apsilde) Elektriskais sildītājs (DHW) Maisīšanas vārsta kontrole Plūsmas sensors *17 Analogā izeja	Iesl./Izsl. *6 Aizkave (3–60 min.) Telpas apsilde: Iesl. (tiek izmantots) / Izsl. (netiek izmantots) Elektriskā sildītāja aizkaves taimeris (5–180 min.) Būstera sildītājs Iegremdes sildītājs Elektriskā sildītāja aizkaves taimeris (15–30 min.) Darbojas (10–240 sek.) Intervāls (1–30 min.) Minimāli (0–100 L/min.) Maksimāli (0–100 L/min.) Intervāls (1–30 min.) Prioritāte (Parasta/Augsta)	10 min. Iesl. 30 min. Iesl. Iesl. 15 min. 120 sek. 2 min. 5 L/min. 100 L/min. 5 min. Parasta

IV

(Turpinājums nākamajā lapā.)

7 Apkalošana un tehniskā apkope

Veidlapas inženieriem

Ekspluatācijas/lauka iestatījumu reģistrācijas lapa (turpinājums no iepriekšējās lapas)

Galvenās tālvadības pults ekrāns				Parametri	Noklusējuma iestatījums	Lauka iestatījums	Piezīmes
Iestatīšana	Apkalošanas izvēlne	Sūkņa ātrums		DHW	Sūkņa ātrums (1–5)	5	
				Apsilde/dzesēšana	Sūkņa ātrums (1–5)	5	
		Apsildes avota iestatījums			Standarta/Sildītājs/Katls/Hibrīda *7	Standarta	
		Siltumsūkņa iestatīšana		Siltumsūkņa plūsmas ātruma diapazons	Minimāli (0–100 L/min.)	5 L/min.	
					Maksimāli (0–100 L/min.)	100 L/min.	
				Klusais režīms	Diena (Pi – Sv)	—	
					Laiks	00:00 – 23:45	
					Klusuma līmenis (Parasts / 1. līmenis / 2. līmenis)	Parasts	
		Darbības iestatījumi	Apsildes darbība *8	Plūsmas temp. diapazons *10	Minimālā temp. (20–45°C)	30°C	
					Maksimālā temp. (35–60°C)	50°C	
				Istabas temp. kontrole *14	Režīms (Parasts/Ātrs)	Parasts	
					Intervāls (10–60 min.)	10 min.	
				Siltumsūkņa termos. atšķ. pielāg.	Iesl./Izsl. *6	Iesl.	
					Āpakšējā robeža (-9 – -1°C)	-5°C	
					Augšējā robeža (+3 – +5°C)	5°C	
				Saldēšanas stat. funkcija *11	Āra temp. (3–20°C) / **	5°C	
				Vienlaicīga darbība (DHW/Apsilde)	Iesl./Izsl. *6	Izsl.	
					Āra temp. (-30 – +10°C) *3	-15°C	
		Auksta laika funkcija	Iesl./Izsl. *6	Izsl.			
			Āra temp. (-30 – -10°C) *3	-15°C			
		Katla darbība	Hibrīda iestatījumi	Āra temp. (-30 – +10°C) *3	-15°C		
				Prioritārais režīms (Apkārt. vid. / Izmaksas / CO ₂) *16	Apkārt. vide		
				Āra temp. paaugstināšanās (+1 – +5°C)	+3°C		
				Inteliģentie iestatījumi			
			Elektroenerģijas cena *9	Elektrība (0,001–999 */kWh)	0,5 */kWh		
				Katls (0,001–999 */kWh)	0,5 */kWh		
			CO ₂ emisija	Elektrība (0,001–999 kg -CO ₂ /kWh)	0,5 kg -CO ₂ /kWh		
				Katls (0,001–999 kg -CO ₂ /kWh)	0,5 kg -CO ₂ /kWh		
			Apsildes avots	Siltumsūkņa jauda (1–40 kW)	11,2 kW		
				Katla efektivitāte (25–150%)	80%		
		1. būstera sildītāja jauda (0–30 kW)		2 kW			
		2. būstera sildītāja jauda (0–30 kW)		4 kW			
		Viedtīkla ievade	DHW	Iesl./Izsl.	Izsl.		
				Vēlamā temp. (+1 – +20°C) / -- (Neaktīvs)	--		
			Apsilde	Iesl./Izsl.	Izsl.		
				Vēlamā temp.	Ieslēgt ieteikumu (20–60°C)	50°C	
					Ieslēgt komandu (20–60°C)	55°C	
			Dzesēšana	Iesl./Izsl.	Izsl.		
				Vēlamā temp.	Ieslēgt ieteikumu (5–25°C)	15°C	
					Ieslēgt komandu (5–25°C)	10°C	
			Sūkņa cikli	Apsilde (Iesl./Izsl.)	Iesl.		
				Dzesēšana (Iesl./Izsl.)	Iesl.		
		Intervāls (10–120 min.)		10 min.			
		Grīdas nožūšanas funkcija	Iesl./Izsl. *6	Izsl.			
				Vēlamā temp.	Sākums un beigas (20–60°C)	30°C	
					Maks. temp. (20–60°C)	45°C	
					Maks. temp. periods (1–20 dienas)	5 dienas	
Plūsmas temp. (palielināšana)	Temp. palielināšanas solis (+1 – +10°C)		+5°C				
	Palielināšanas intervāls (1–7 dienas)		2 dienas				
Plūsmas temp. (samazināšana)	Temp. samazināšanas solis (-1 – -10°C)		-5°C				
	Samazināšanas intervāls (1–7 dienas)		2 dienas				
Vasaras režīms	Iesl./Izsl.		Izsl.				
			Āra temp.	Apsilde iesl. (4–19°C)	10°C		
			Apsilde izsl. (5–20°C)	15°C			
	Novērtētais laiks	Apsilde iesl. (1–48 stundas)	6 stundas				
		Apsilde izsl. (1–48 stundas)	6 stundas				
	Piespiedu apsilde iesl. (-30 – +10°C)	5°C					
Ūdens plūsmas kontrole	Iesl./Izsl.	Izsl.					

(Turpinājums nākamajā lapā.)

7 Apkalpošana un tehniskā apkope

Veidlapas inženieriem

Ekspluatācijas/lauka iestatījumu reģistrācijas lapa (turpinājums no iepriekšējās lapas)

Galvenās tālvadības pults ekrāns			Parametri		Noklusējuma iestatījums	Lauka iestatījums	Piezīmes	
Apkalpošanas izvēlne	Energoefektivitātes uzraudzības iestatījumi	Elektriskā sildītāja jauda	1. būstera sildītāja jauda	0–30 kW	2 kW			
			2. būstera sildītāja jauda	0–30 kW	4 kW			
			Iegremdes sildītāja jauda	0–30 kW	0 kW			
			Analogā izeja	0–30 kW	0 kW			
			Piegādātās elektroenerģijas pielāgošana	–50 – +50%	0%			
		Ūdens sūkņa ieeja	1. sūknis	0–200 W vai *** (rūpnīcā uzstādīts sūknis)	***			
			2. sūknis	0–200 W	0 W			
			3. sūknis	0–200 W	0 W			
			4. sūknis	0–200 W	72 W			
		Elektroenerģijas skaitītājs		0,1/1/10/100/1000 impulsi/kWh	1 impulss/kWh			
		Siltuma skaitītājs		0,1/1/10/100/1000 impulsi/kWh	1 impulss/kWh			
		Ārējās ievades iestatījumi	Pieprasījuma kontrole (IN4)		Apsildes avots izsl. / Katla darbība	Katla darbība		
			Āra termostats (IN5)		Sildītāja darbība / Katla darbība	Katla darbība		
			Iesl. termostata izeja		1. zona / 2. zona / 1. un 2. zona	1. un 2. zona		

*1 Ar 2. zonu saistītos iestatījumus var mainīt tikai tad, ja ir iespējota 2. zonas temperatūras kontrole (ja DIP SW2-6 un SW2-7 ir iesl.).

*2 Modeļi, kuri nav aprīkoti ar būstera un iegremdes sildītāju, var nesasniegt iestatīto temperatūru atkarībā no āra apkārtējās vides temperatūras.

*3 Apakšējā robeža ir -15°C atkarībā no pievienotās ārējās iekārtas.

*4 Apakšējā robeža ir -13°C atkarībā no pievienotās ārējās iekārtas.

*5 Apakšējā robeža ir -14°C atkarībā no pievienotās ārējās iekārtas.

*6 Iesl.: funkcija ir aktīva; izsl.: funkcija ir neaktīva.

*7 Ja DIP SW1-1 ir iestatīts izslēgtā pozīcijā „WITHOUT Boiler” (BEZ katla) vai SW2-6 ir iestatīts izslēgtā pozīcijā „WITHOUT Mixing tank” (BEZ maisīšanas tvertnes), nav iespējams atlasīt ne katla, ne hibrīda opciju.

*8 Derīga tikai darbojoties istabas temp. kontroles režīmā.

9 „” no „*/kWh” apzīmē naudas vienību (piem., € vai £ vai tml.).

*10 Derīga tikai darbojoties istabas temp. apsildes režīmā.

*11 IZVĒLOTIES ZVAIGZNĪTI (**), saldēšanas stat. funkcija tiek deaktivizēta (t.i., primārais ūdens sasaldēšanas risks).

*12 Ar 2. zonu saistītos iestatījumus var mainīt tikai tad, ja ir aktīva 2. zonas temperatūras kontrole vai 2. zonas vārsta iesl./izsl. kontrole.

*13 Dzesēšanas režīma iestatījumi pieejami tikai modelim ER.

*14 Ja DIP SW5-2 ir iestatīts izslēgtā pozīcijā, funkcija ir aktīva.

*15 Ja cilindra bloks ir savienots ar PUMY-P ārējo iekārtu, režīms fiksēts opcijā „Parasts”.

*16 Ja cilindra bloks ir savienots ar PUMY-P ārējo iekārtu, režīms fiksēts opcijā „Apkārt. vide”.

*17 Nemainiet iestatījumu, jo tas ir iestatīts atbilstoši cilindra blokam pievienotajām plūsmas sensora specifikācijām.

1. Saugos pranešimai.....	2
2. Įžanga	3
3. Techninė informacija	4
4. Montavimas.....	10
4.1 Vieta	10
4.2 Vandens kokybė ir sistemos paruošimas.....	11
4.3 Vandens vamzdynas.....	11
4.4 Elektros jungimas	14
5. Sistemos nustatymas.....	16
5.1 DIP jungiklio funkcijos	16
5.2 Įvadų / išvadų jungimas	17
5.3 2 zonos temperatūros valdymo instaliacija	18
5.4 Tik vidaus įtaiso naudojimas (montavimo metu).....	19
5.5 Išmanaus tinklelio parengimas.....	19
5.6 SD atminties kortelės naudojimas	19
5.7 Pagrindinis nuotolinio valdymo pultas.....	20
6. Perdavimas eksploatuoti	26
7. Aptarnavimas ir techninė priežiūra.....	27

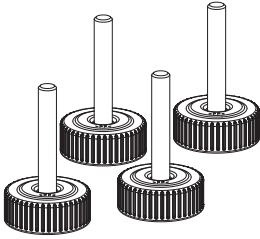
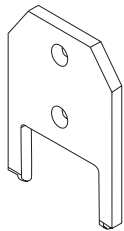
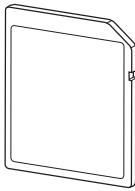
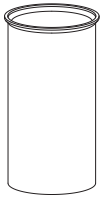


<http://www.mitsubishielectric.com/ldg/ibim/>

Jei norite daugiau informacijos, kurios nėra šioje instrukcijoje, eikite į aukščiau nurodytą svetainę ir atsisiųskite instrukcijas, pasirinkite modelio pavadinimą bei kalbą.

Svetainėje esančios instrukcijos turinys

- Energijos stebėjimas
- Sudedamosios dalys (išsami informacija)
- Vandens grandinės schema (170 L)
- Patalpos termostatas
- Sistemos pildymas
- Paprasta 2 zonos sistema
- Nepriklausomas elektros energijos šaltinis
- Išmanaus tinklelio parengimas
- Nuotolinio valdymo pulto parinktys
- Priežiūros meniu (specialus nustatymas)
- Papildoma informacija

Priedai (pridėti)			
Reguliuojamos kojelės	Panardinamo šildytuvo perforuotos plokštės įrankis	SD atminties kortelė	Varinė įvorė BKV vamzdžiui
	Tik EHPT20X-MHEDW modeliui 		
4	1	1	2

Santrumpos ir žodynas

Nr.	Santrumpos / žodis	Aprašas
1	Kompensacinės kreivės režimas	Patalpos oro šildymas įdiegiant lauko aplinkos temperatūros kompensavimą
2	DKK	Darbo kokybės koeficientas, šilumos siurblio efektyvumas
3	Cilindro įtaisas	Vidaus neišleidžiama BKV talpa ir komplektuojančios vandentiekio dalys
4	BKV režimas	Buitinio karšto vandens šildymo režimas dušams, kriauklėms ir pan.
5	Srauto temperatūra	Temperatūra, kuriai esant vanduo tiekiamas į pagrindinį kontūrą
6	Aps. nuo užšalimo funkcija	Šildymo valdymo tvarka, skirta apsaugoti vandens vamzdžius nuo užšalimo
7	STV	Srauto temperatūros valdiklis, mikroschema, atsakanti už sistemos valdymą
8	Šildymo režimas	Patalpos oro šildymas per radiatorius arba grindų šildymą
9	Legionelės	Vandentiekio sistemoje, dušuose ir vandens talpose aptinkamos bakterijos, kurios gali sukelti legioneliozę
10	LP režimas	Legionelių prevencijos režimas – sistemų su vandens talpomis funkcija, skirta apsaugoti nuo legionelės bakterijų dauginimosi
11	Supakuotas modelis	Plokštelinis šilumokaitis (aušinimo skystis – vanduo) lauko šilumos siurblio įtaise
12	SMV	Slėgio mažinimo vožtuvas
13	Grįžtamojo srauto temperatūra	Temperatūra, kuriai esant vanduo tiekiamas iš pagrindinio kontūro
14	Padalytas modelis	Plokštelinis šilumokaitis (aušinimo skystis – vanduo) vidaus įtaise
15	TRV	Termostatinis radiatoriaus vožtuvas – vožtuvas ant radiatoriaus skydo įvado arba išvado, skirtas valdyti šilumos tiekimą
16	Vėsinimo režimas	Patalpos oro vėsinimas per šilumokaičius arba grindų vėsinimo būdu

1 Saugos pranešimai

Atidžiai perskaitykite toliau pateiktus saugumo įspėjimus.





⚠️ ĮSPĖJIMAS:
atsargumo priemonės, kurių turi būti laikomasi siekiant išvengti pavojaus susisąžaloti arba žūti.

⚠️ ATSARGIAI:
atsargumo priemonės, kurių turi būti laikomasi siekiant apsaugoti įrangą nuo sugadinimo.

Šios montavimo bei naudojimo instrukcijos turi būti laikomos kartu su gaminiu ir sumontavus, kad prireikus jas būtų galima pasiskaityti. „Mitsubishi Electric“ neatsako už vietoje teikiamų dalių gedimą.

- Atlikite reguliarią techninę priežiūrą.
- Vadovaukitės vietiniais teisės aktais.
- Laikykitės šioje instrukcijoje pateiktų nurodymų.

ANT ĮRENGINIO NURODOMŲ SIMBOLIŲ REIŠMĖ

	ĮSPĖJIMAS (Gaisro pavojus)	Šis ženklas skirtas tik R32 aušinimo skysčiui. Aušinimo skysčio tipas užrašytas ant lauko įtaiso techninių duomenų plokštelės. Jei aušinimo skysčio tipas yra R32, šis įtaisas naudoja degų aušinimo skystį. Jei aušinimo skystis prateka ir susiliečia su ugnimi arba šildymo dalimi, susidarys kenksmingos dujos ir gali kilti gaisro pavojus.
		Prieš eksploatuodami atidžiai perskaitykite EKSPLOATACIJOS INSTRUKCIJĄ.
		Aptarnaujantis personalas prieš eksploatuodamas privalo atidžiai perskaityti EKSPLOATACIJOS ir MONTAVIMO INSTRUKCIJAS.
		Daugiau informacijos pateikiama EKSPLOATACIJOS INSTRUKCIJOJE, ĮRENGIMO INSTRUKCIJOJE ir kt.

⚠️ ⚠️ ĮSPĖJIMAS

Mechaninė informacija

- Naudotojas negali montuoti, ardyti, perkelti, modifikuoti arba remontuoti cilindro ir lauko įtaisų. Paprašykite įgalioto montuotojo arba techniko. Netinkamai sumontavus įrenginį arba pakeitus po montavimo, galimas vandens protėkis, elektros smūgis ar gaisras.
- Lauko įtaisas turi būti saugiai pritvirtintas prie kieto ir lygaus paviršiaus, galinčio išlaikyti jo svorį.
- Cilindro įtaisas turi būti padėtas ant kieto ir lygaus paviršiaus, galinčio išlaikyti pripildyto įtaiso svorį, kad būtų išvengta per didelio triukšmo arba vibracijos.
- Nedėkite baldų arba elektros prietaisų po lauko arba cilindro įtaisais.
- Išleidimo vamzdynas iš cilindro įtaiso avarinių įrenginių turi būti įrengtas pagal vietos teisės aktus.
- Naudokite tik „Mitsubishi Electric“ priedus ir atsargines dalis bei kreipkitės į kvalifikuotą techniką, kad sumontuotumėte dalis.

Elektros informacija

- Visus elektros darbus turi atlikti kvalifikuotas technikas pagal vietinius teisės aktus ir šioje instrukcijoje pateiktus nurodymus.
- Įtaisi turi turėti autonominį srovės tiekimą ir turi būti naudojama teisinga įtampa bei grandinės pertraukikliai.
- Instalacija turėtų atitikti nacionalinius instaliacijos teisės aktus. Jungtys turi būti saugios neįtemptiant gnybtų.
- Tinkamai įžeminkite įtaisą.

Bendroji informacija

- Neleiskite vaikams ir gyvūnams artintis prie cilindro bei lauko įtaisų.
- Nenaudokite šilumos siurblio pagaminto karšto vandens gėrimui arba maisto gamimui. Dėl to vartotojas gali susirgti.
- Nestovėkite ant įtaisų.
- Nelieskite jungiklių drėgnomis rankomis.
- Kvalifikuotas asmuo kiekvienais metais turi atlikti cilindro bei lauko įtaisų techninės priežiūros patikras.
- Nestatykite talpų su skysčiais ant cilindro įtaiso. Jei jie pratekėtų ar išsilietų, cilindro įtaisas gali būti pažeistas ir gali įvykti gaisras.
- Nedėkite jokių sunkių objektų ant cilindro įtaiso.
- Montuodami, perkeldami cilindro įtaisą arba atlikdami jo priežiūros darbus bei pildydami aušinimo sistemą, naudokite tik šilumos siurbliui nurodytą aušinimo skystį. Nemaišykite jo su jokiais kitais aušinimo skysčiais ir neleiskite, kad sistemoje liktų oro. Orui susimaišius su aušinimo skysčiu aušinimo sistemoje gali susidaryti neįprastai aukštas slėgis ir gali įvykti sproginimas arba kilti kiti pavojai. Sistemoje naudojant bet kokį kitą, nei nurodyta, aušinimo skystį, galimas mechaninis gedimas arba sistemos triktis, be to, įrenginys gali sugesti. Blogiausiu atveju tai gali sukelti sunkų defektą, pažeidžiantį gaminio saugumą.
- Šildymo režimu, siekiant apsaugoti kaitinimo elementus nuo pažeidimo per karštu vandeniu, nustatykite tikslią srauto temperatūrą taip, kad ji būtų mažiausiai 2°C žemiau maksimalios leistinos visų kaitinimo elementų temperatūros. 2 zonos nustatykite tikslią srauto temperatūrą mažiausiai 5°C žemiau didžiausios leistinos visų 2 zonos kontūro kaitinimo elementų srauto temperatūros.
- Nemontuokite įtaiso, kur gali pratekėti, susidaryti, tekėti arba kauptis degios dujos. Jei degios dujos kaupiasi aplink įtaisą, gali kilti gaisro arba sproginimo pavojus.
- Nenaudokite gamintojo nerekomenduojamų priemonių atitirpinimo procesui pagreitinti arba valyti.
- Prietaisas gali būti laikomas patalpoje, kur nėra nuolat naudojami užsiliepsnojimo šaltiniai (pavyzdžiui, atvira liepsna, veikiantis dujų prietaisas arba elektrinis šildytuvas).
- Nepradurkite ir nedeginkite.
- Stebėkite, ar aušinimo skysčiai neturi kvapo.
- Vamzdynas turi būti apsaugotas nuo fizinio pažeidimo.
- Vamzdyno montavimo darbų turi būti kuo mažiau.
- Reikia laikytis nacionalinių dujų teisės aktų.
- Neužblokuokite ventiliacijos angų.
- Nenaudokite žemos temperatūros lydmetalių aušinimo skysčio vamzdžiams lituoti.

1 Saugos pranešimai

⚠ ATSAUGIAI

Pagrindiniame kontūre naudokite švarų vandenį, kuris atitinka vietos kokybės standartus.

Lauko įtaisas turi būti įrengtas vietoje, kurioje yra pakankamas oro srautas, pagal lauko įtaiso montavimo instrukcijoje pateiktas schemas.

Cilindro įtaisas turi būti įrengtas viduje šilumos nuostoliams kuo labiau sumažinti.

Vandens vamzdžio trasos pagrindiniame kontūre, tarp lauko ir vidaus įtaisų, turi būti minimalios šilumos nuostoliams kuo labiau sumažinti.

Užtikrinkite, kad kondensatas išsiurbiamas iš lauko įtaiso pagrindo, kad nesudarytų vandens balutės.

Pašalinkite kiek įmanoma daugiau oro iš pagrindinio ir BKV kontūrų.

Dėl aušinimo skysčio nuotėkio galima uždusti. Užtikrinkite vėdinimą pagal EN378-1.

Būtinai apvyniokite izoliaciją aplink vamzdyną. Tiesiogiai palietus neizoliuotą vamzdyną galima nudegti arba nušalti.

Niekada nedėkite baterijų į burną, kad jų netyčia neprarytumėte.

Prarijus baterijas, galima užspringti ir (arba) apsinuodyti.

Netransportuokite cilindro įtaiso, kai BKV talpoje yra vandens. Dėl to įtaisas gali sugesti.

Jei srovės tiekimas į cilindro įtaisą turi būti atjungtas (arba sistema turi būti išjungta) ilgam laikui, iš jo reikia išleisti vandenį.

Nenaudojant ilgą laiką ir prieš tęsiant operaciją, BKV talpa turi būti praplauta geriamuoju vandeniu.

Reikia imtis atsargumo priemonių norint išvengti hidraulinio smūgio, pavyzdžiui, pagrindiniame vandens kontūre sumontuoti hidraulinio smūgio stabdymo įrenginį.

Norėdami sužinoti, kaip naudoti aušinimo skystį, žr. lauko įtaiso montavimo instrukciją.

2 Įžanga

Šios montavimo instrukcijos tikslas – kompetentingiems asmens nurodyti, kaip saugiai ir veiksmingai sumontuoti ir eksploatuoti cilindro įtaiso sistemą. Šios instrukcijos tiksliniai skaitytojai yra kompetentingi santechnikai ir (arba) aušinimo inžinieriai,

kurie dalyvavo ir išlaikė būtiną „Mitsubishi Electric“ gaminių mokymą ir turi tinkamą kvalifikaciją neišleidžiamam karšto vandens cilindro įtaisui, būdingam jų šaliai, montuoti.

Gaminio specifikacija

Modelio pavadinimas	EHST20C-MED	EHST20C-VM2D	EHST20C-VM6D	EHST20C-VM9ED	EHST20C-TM9D	ERST20C-VM2D	EHST30C-MED	EHST30C-VM6D	EHST30C-VM9ED	EHST30C-TM9ED	ERST30C-VM2ED	EHPT17X-VM6D	EHPT17X-VM9D	ERPT17X-VM2D	
Vardinis buitinio karšto vandens tūris	1600 x 595 x 680 mm														
Bendri įtaiso matmenys (aukštis x plotis x gylis)	2050 x 595 x 680 mm														
Svoris (tuščio)	106 kg	113 kg	114 kg	115 kg	109 kg	113 kg	118 kg	120 kg	121 kg	121 kg	120 kg	85 kg	86 kg	86 kg	
Svoris (pilno)	314 kg	320 kg	321 kg	324 kg	319 kg	324 kg	426 kg	422 kg	431 kg	428 kg	428 kg	261 kg	262 kg	261 kg	
Įtaiso šildymo grandinės vandens tūris *1	4,6 L		6,9 L		4,6 L		5,0 L		7,3 L		3,2 L		5,5 L		3,2 L
Neišleidžiamas plėtimosi indas (pagrindinis šildymas)	—														
Vardinis tūris	12 L														
Darbinis slėgis	0,1 MPa														
Valdymo termostoriai	1–80°C														
Pagrindinis kontūras	0,3 MPa (3 bar)														
Slėgio mažinimo vožtuvas	Maž. srautas 5,0 L/min. (Žr. 4.3.1 lentelę dėl vandens srauto diapazono)														
Srauto jutiklis	90°C														
Pagalbinis šildytuvas	121°C														
Saugos įtaisas	—														
BKV talpa	75°C														
Pan. š. rankinės grįžties termostatai	—														
Temperatūros / Slėgio mažinimo vožtuvas	1,0 MPa (10 bar)														
Vanduo	Ø28 mm														
BKV kontūras	Ø22 mm														
Aušinimo skystis (R32 / R410A)	9,52 mm														
Dujos	15,88 mm														
Šildymas	10–30°C														
Srauto temperatūra	20–60°C														
Patalpos temperatūra	—														
Vėsinimas	—		5–25°C		—		—		—		5–25°C		—		5–25°C
Aplinka	0–35°C (≤ 80 % SD)														
Garantuotas darbinis diapazonas *2	Žr. lauko įtaiso spec. lentelę.														
BKV taipos efektyvumas	*4	—		70°C		*3	*4		—		*3	—		*3	
Didžiausia leistina karšto vandens temperatūra	70°C														
Dekantuotas aprokrovos profilis	L														
Vandens šildytuvo energijos vartojimo efektyvumo klasė	A+														
Maitinimo tekimas (fazė, įtampa, dažnis)	A														
Tiekiamoji galia	XL														
Srovė	~N, 230 V, 50 Hz														
Pertraukiklis	0,30 kW														
Maitinimo tekimas (fazė, įtampa, dažnis)	1,95 A														
Galingumas	10 A														
Srovė	~N, 230 V, 50 Hz		3~, 400 V, 50 Hz		3~, 230 V, 50 Hz		~N, 230 V, 50 Hz		3~, 400 V, 50 Hz		~N, 230 V, 50 Hz		3~, 400 V, 50 Hz		~N, 230 V, 50 Hz
Pertraukiklis	2 kW + 4 kW		3 kW + 6 kW		3 kW + 6 kW		2 kW + 4 kW		3 kW + 6 kW		2 kW + 4 kW		3 kW + 6 kW		2 kW
Galingumas	9 A		13 A		23 A		26 A		13 A		26 A		13 A		9 A
Srovė	16 A		16 A		32 A		32 A		16 A		32 A		16 A		16 A
Pertraukiklis	—														
Maitinimo tekimas (fazė, įtampa, dažnis)	—														
Galingumas	—														
Srovė	—														
Pertraukiklis	—														
Garso galios lygis (PWL)	40 dB(A)														

<3.2 lentelė>

*1 Sanitarinės vandens grandinės, pagrindinės BKV grandinės (iš trikampio vožtuvo | sutekėjimo su šildymo kontūru vieta), vamzdyno-plėtimosi indo ir plėtimosi indo tūriai nėra įtraukti į šią vertę.
 *2 Aplinka turi būti atspari šalčiui.
 *3 Žr. lauko įtaiso spec. lentelę (min., 10°C). Vėsinimo režimas nepasiekiamas esant žemai lauko temperatūrai. Jei naudojate mūsų sistemą vėsinimo režime esant žemai aplinkos temperatūrai (10°C arba mažesnei), kyla pavojus, kad plokštelinį šilumokalį pažeis užšalęs vanduo.
 *4 Naudojant modelį be pagalbinių šildytuvo, didžiausia leistina karšto vandens temperatūra yra [Didžiausia lauko įtaiso ištekancio vandens temp. yra -3°C]. Dėl didžiausio lauko įtaiso ištekancio vandens temperatūros, žr. lauko įtaiso duomenų knygelę.
 *5 Nemontuokite panardinamų šildytuvų be šilumos nuotraukimo. Keitimui naudokite tik „Mitsubishi Electric“ atsargines dalis.

3 Techninė informacija

Gaminio specifikacija

Modelio pavadinimas	EHPT20X-MED	EHPT20X-VM6D	EHPT20X-YM9D	EHPT20X-YM9ED	EHPT20X-TM9D	EHPT20X-MHEDW	ERPT20X-MD	ERPT20X-VM2D	ERPT20X-VM6D	EHPT30X-MED	EHPT30X-YM9ED	ERPT30X-VM2ED
Vardinis būtinio karšto vandens tūris	200 L											
Bendri įtaiso matmenys (aukštis x plotis x gylis)	1600 x 595 x 680 mm											
Svoris (tuščio)	93 kg	101 kg	102 kg	96 kg	102 kg	90 kg	99 kg	100 kg	101 kg	106 kg	109 kg	107 kg
Svoris (pilno)	300 kg	307 kg	310 kg	305 kg	310 kg	296 kg	305 kg	305 kg	307 kg	413 kg	419 kg	413 kg
Įtaiso šildymo grandinės vandens tūris *1	3,7 L	12 L	6,0 L	3,7 L	3,7 L	12 L	3,7 L	3,7 L	12 L	4,4 L	6,7 L	4,4 L
Neišleidžiamas pėlimos indas (pagrindinis šildymas)	Vardinis tūris											
Pagrindinis kontūras	Darbinis slėgis											
	Vaidymo termostoriaus											
	Slėgio mažinimo vožtuvas											
	Srauto jutiklis											
Pagalbinis šildytuvas	Pag. š. rankinės grįžties termostatas											
	Pag. š. šilumos nutraukimas											
	Vaidymo termostoriaus											
BKV talpa	Pan. š. rankinės grįžties termostatas											
	Temperatūros / Slėgio mažinimo vožtuvas											
	1,0 MPa (10 bar)											
	90°C / 0,7 MPa (7 bar)											
Jungtybės	Vanduo											
	Pagrindinis kontūras											
	BKV kontūras											
	Aušinimo skystis											
	Dujos											
Šildymas	Patalpos temperatūra											
	Srauto temperatūra											
	Patalpos temperatūra											
Darbinis diapazonas	Vėsinimas											
	Srauto temperatūra											
	5–25°C											
	5–25°C											
Garantuotas darbinis diapazonas *2	Aplinka											
	Lauko temperatūra											
	Vėsinimas											
	Žr. lauko įtaiso spec. lentelę.											
BKV talpos efektyvumas	Didžiausia leistina karšto vandens temperatūra											
	Deklaruotas apkrovos profilis											
	Vandens šildytuvo energijos vartojimo efektyvumo klasė											
	Vidutinis klimatas											
	Maitinimo tiekimas (fazė, įtampa, dažnis)											
	Vaidymo plokštė (skaliant 4 siurblius)											
	Tiekiamoji galia											
	Srovė											
	Pertraukiklis											
	0,30 kW											
	1,95 A											
	10 A											
	Maitinimo tiekimas (fazė, įtampa, dažnis)											
	3–, 400 V, 50 Hz											
	3–, 230 V, 50 Hz											
	~N, 230 V, 50 Hz											
	2 kW + 4 kW											
	3 kW + 6 kW											
	Galingumas											
	13 A											
	16 A											
	Pertraukiklis											
	Maitinimo tiekimas (fazė, įtampa, dažnis)											
	~N, 230 V, 50 Hz											
	3 kW											
	Galingumas											
	13 A											
	Srovė											
	16 A											
	Pertraukiklis											
	40 dB(A)											

<3.3 lentelė>

*1 Sanitarinės vandens grandinės, pagrindinės BKV grandinės (iš trikampio vožtuvo į sutekjimo su šildymo kontūru vieta), vamzdymo-pletimosi indo ir pletimosi indo tūriai nėra įtraukti į šią vertę.
 *2 Aplinka turi būti atspari šalčiui.
 *3 Žr. lauko įtaiso spec. lentelę (min., 10°C). Vėsinimo režimas nepasiekiamas esant žemai lauko temperatūrai. Jei naudojate mūsų sistemą vėsinimo režime esant žemai aplinkos temperatūrai (10°C arba mažesnei), kyla pavojus, kad plokštėlinį šilumokalį pažeis užšalęs vanduo.
 *4 Naudojant modelį be pagalbino šildytuvo ir panardinamo šildytuvo, didžiausia leistina karšto vandens temperatūra yra [Didžiausia lauko įtaiso išekanco vandens temp. yra -3°C]. Dėl didžiausio lauko įtaiso išekanco vandens temperatūros, žr. lauko įtaiso duomenų knygelę.
 *5 Nemontuokite panardinamų šildytuvų be šilumos nutraukimo. Keitimui naudokite tik „Mitsubishi Electric“ atsargines dalis.

3 Techninė informacija

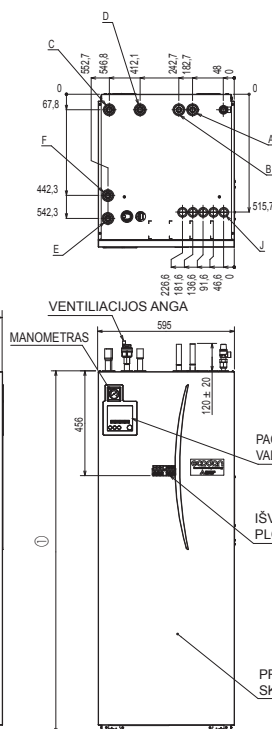
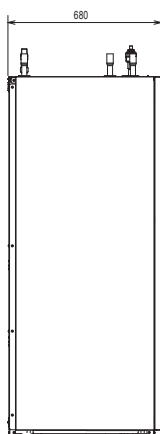
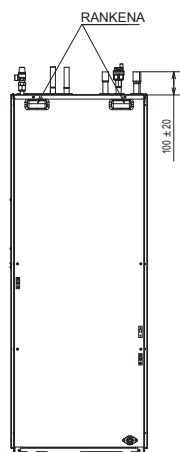
<Vienetas: mm>

■ Techniniai brėžiniai

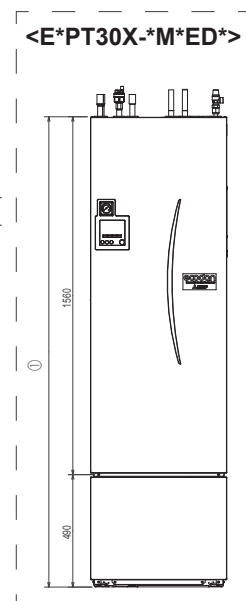
<E**T***-M**D>

(Supakuoto modelio sistema)

BKV talpyklos talpa	170L	200L	300L
①	1400	1600	2050

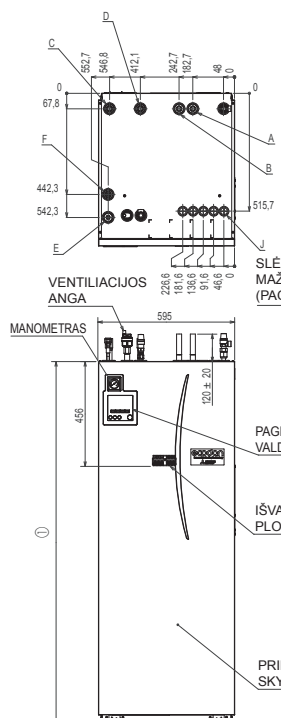
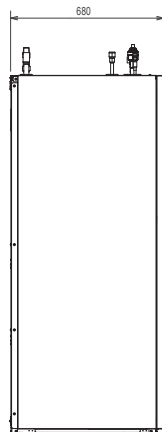
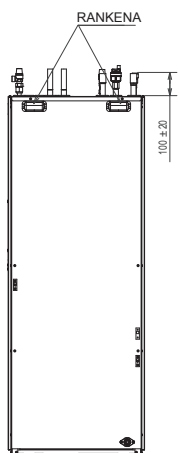


SLĖGIO MAŽINIMO VOŽTUVAS (SANITARINIS KONTŪRAS)



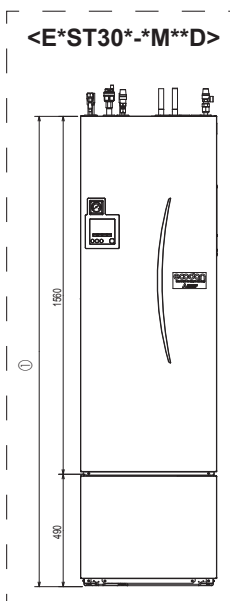
(Padalyto modelio sistema)

BKV talpyklos talpa	170L	200L	300L
①	1400	1600	2050



SLĖGIO MAŽINIMO VOŽTUVAS (SANITARINIS KONTŪRAS)

SLĖGIO MAŽINIMO VOŽTUVAS (PAGRINDINIS KONTŪRAS)



Raidė	Vamzdžio aprašymas	Jungties dydis / tipas
A	BKV išleidžiamoji jungtis	22 mm / kompresinė
B	Šalto vandens įleidimo jungtis	22 mm / kompresinė
C	Patalpos oro šildymo (vėsinimo) GRĮŽTAMOJI jungtis	28 mm / kompresinė
D	Patalpos oro šildymo (vėsinimo) SRAUTO jungtis	28 mm / kompresinė
E	Srauto jungtis IŠ šilumos siurblio (nėra plokštelinio šilumokaičio)	28 mm / kompresinė
F	Grįžtamoji jungtis Į šilumos siurblių (nėra plokštelinio šilumokaičio)	28 mm / kompresinė
G	Aušinimo skystis (DUJOS) (su plokšteline šilumokaičiu)	12,7 mm / platėjanti (E*ST**D-*) 15,88 mm / platėjanti (E*ST**C-*)
H	Aušinimo skystis (SKYSTIS) (su plokšteline šilumokaičiu)	6,35 mm / platėjanti (E*ST**D-*) 9,52 mm / platėjanti (E*ST**C-*)
J	Elektros kabeliniai įvadai ① ② ③ ④ ⑤ ⊙ ⊙ ⊙ ⊙ ⊙	①, ② ir ③ įvadams tieskite žemos įtampos laidus, įskaitant išorinius įvado laidus ir termistoriaus laidus. ④ ir ⑤ įvadams tieskite aukštos įtampos laidus, įskaitant maitinimo kabelį, vidaus-lauko kabelį ir išorinius išvado laidus. *Belaidžio imtuvo (parinktis) kabeliui ir ECODAN „Wi-Fi“ sąsajos (parinktis) kabeliui naudokite ① įvadą.

⚠ Įspėjimas
 • Aušinimo skysčio vamzdžių jungtis turi būti pasiekiamą techninės priežiūros tikslais.
 • Jei po atjungimo iš naujo prijungsite aušinimo skysčio vamzdžius, vamzdžio platėjanti dalis turi būti pagaminta iš naujo.

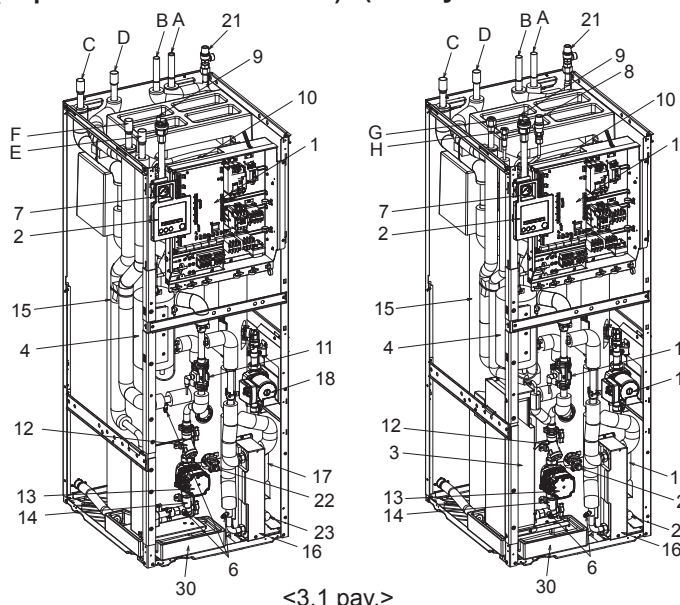
<3.4 lentelė>

3 Techninė informacija

■ Sudedamosios dalys

<E**T***-M**D>

(Supakuoto modelio sistema) (Padalyto modelio sistema)

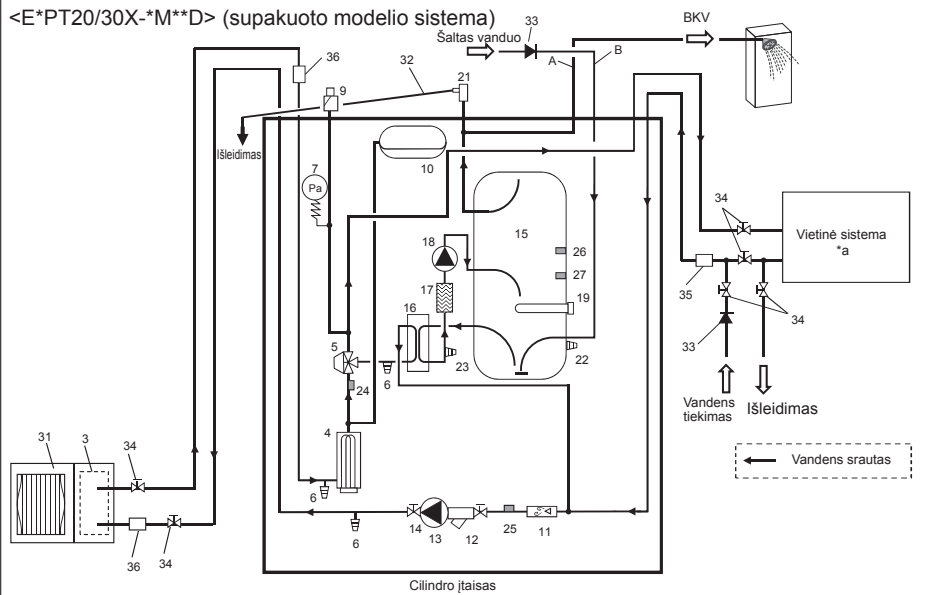


Pastaba:
 montuodami visus E**T***-
 M**ED* modelius, būtina
 sumontuoti tinkamo
 dydžio pagrindinės pusės
 plėtimosi indą ir papildomą
 SMV, kad išvengtumėte
 plėtimosi indo sprogdimo.
 (Išsamesnių nurodymų
 ieškokite 3.2-3.3 ir 4.3.2
 pav.)

<3.1 pav.>

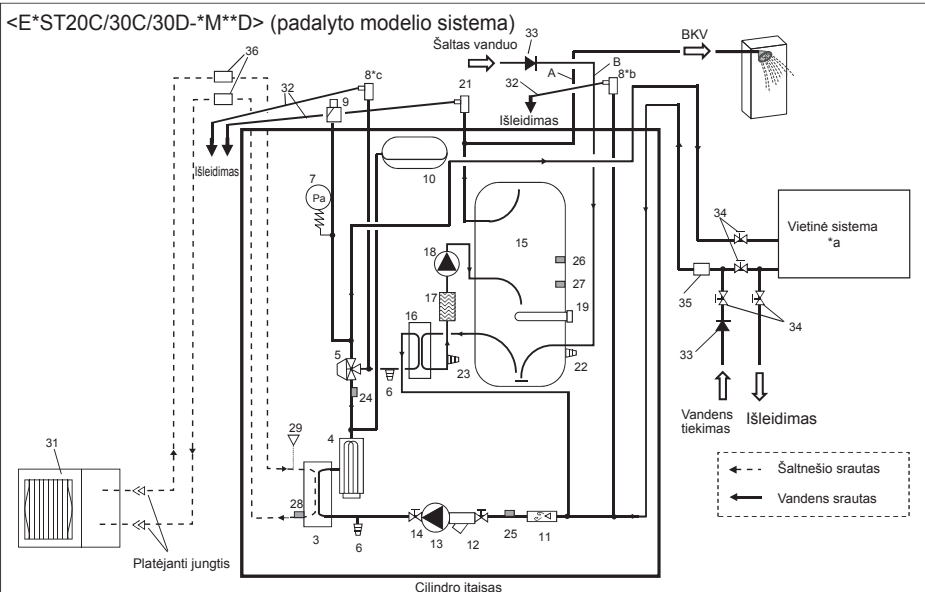
■ Vandens grandinės schema

<E*PT20/30X-M**D> (supakuoto modelio sistema)



<3.2 pav.>

<E*ST20C/30C/30D-M**D> (padalyto modelio sistema)



<3.3 pav.>

Nr.	Dalies pavadinimas
A	BKV išleidimo vamzdis
B	Šalto vandens įleidimo vamzdis
C	Vandens vamzdis (patalpos oro šildymo (vėsinimo) grįžtamoji jungtis)
D	Vandens vamzdis (patalpos oro šildymo (vėsinimo) srauto jungtis)
E	Vandens vamzdis (srautas iš šilumos siurblio jungtis)
F	Vandens vamzdis (grįžta į šilumos siurblio jungtį)
G	Aušinimo skysčio vamzdis (dujų)
H	Aušinimo skysčio vamzdis (skysčio)
1	Valdymo ir elektros blokas
2	Pagrindinis nuotolinio valdymo pultas
3	Plokštelinis šilumokaitis (aušinimo skystis – vanduo)
4	1,2 pagalbinio šildytuvo
5	Trikryptis vožtuvas
6	Išleidžiamasis čiaupas (pagrindinis kontūras)
7	Manometras
8	Slėgio mažinimo vožtuvas (3 bar)
9	Automatinė ventiliacijos anga
10	Plėtimosi indas (pagrindinis kontūras)
11	Srauto jutiklis
12	Tinklinio filtro vožtuvas
13	1 cirkuliacinis vandens siurblys (pagrindinis kontūras)
14	Siurblio vožtuvas
15	BKV talpa
16	Plokštelinis šilumokaitis (vanduo – vanduo)
17	Nuovirų rinktuve
18	Cirkuliacinis vandens siurblys (sanitarinis kontūras)
19	Panardinamas šildytuvas *1
20	Temperatūros ir slėgio mažinimo vožtuvas *1
21	Slėgio mažinimo vožtuvas (10 bar) (BKV talpa)
22	Išleidžiamasis čiaupas (BKV talpa)
23	Išleidžiamasis čiaupas (sanitarinis kontūras)
24	Vandens srauto temp. termistorius (THW1)
25	Grįžtamojo vandens temp. termistorius (THW2)
26	BKV talpos aukštesnės vandens temp. termistorius (THW5A)
27	BKV talpos žemesnės vandens temp. termistorius (THW5B)
28	Aušinimo skysčio temp. termistorius (TH2)
29	Slėgio jutiklis
30	Išleidimo vonelė
31	Lauko įtaisas
32	Išleidimo vamzdis (teikiamas vietoje)
33	Skysčių tėkmės reguliavimo įrenginys (teikiamas vietoje)
34	Uždarymo vožtuvas (teikiamas vietoje)
35	Magnetinis filtras (teikiamas vietoje) (rekomenduojamas)
36	Tinklinis filtras (teikiamas vietoje)
37	Papildomas SMV (teikiamas vietoje)
38	Išleidžiamoji valdymo grupė *1
39	Pildymo kilpa (rutuliniai vožtuvai, uždarymo vožtuvai ir lanksti žarna) *1
40	Plėtimosi indas geriamam vandeniui *1

*1 Pateikta TIK su JK modeliu. Žr. PAC-WK02UK-E montavimo instrukciją norėdami daugiau informacijos apie priedus.

<3.5 lentelė>

Apsilankykite „Mitsubishi“ interneto svetainėje, kur galėsite pamatyti kitų įrenginių vandens cirkuliacijos sistemą ir kiekvieno įrenginio komponentų dalis.

*a Žr. tolesnį skyrių [Local system] (Vietinė sistema).

*b Tik E**T20

*c Tik E**T30

Pastaba

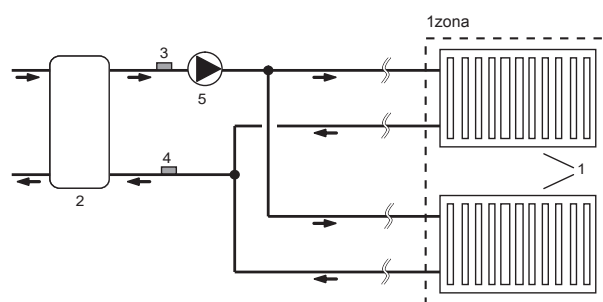
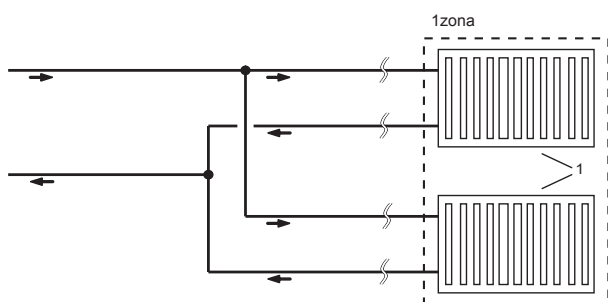
- Norint leisti cilindro įtaiso išleidimą, įleidžiamajame ir išleidžiamajame vamzdiniuose reikia sumontuoti uždarymo vožtuvą.
- Įleidžiamajame vamzdyne, esančiame prie cilindro įtaiso, sumontuokite tinklinį filtrą.
- Tinkamas išleidimo vamzdynas turi būti prijungtas prie visų slėgio sumažinimo vožtuvų laikantis jūsų šalies teisės aktų.
- Skysčių tėkmės reguliavimo įrenginys turi būti sumontuotas šalto vandens tiekimo vamzdyne (IEC 61770).
- Jei naudojate iš skirtingų metalų pagamintus komponentus arba jungiamuosius vamzdžius, izoliuokite sujungimus, kad išvengtumėte korozinės reakcijos, galinčios pažeisti vamzdyną.

It

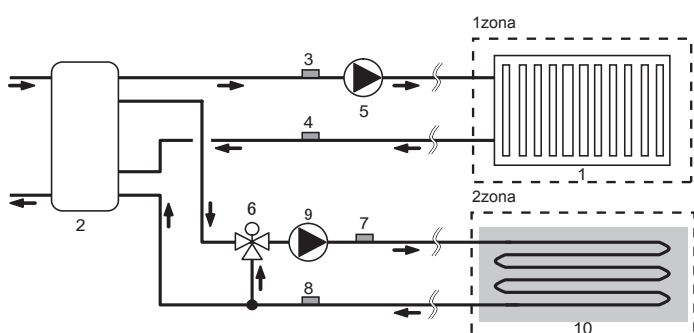
3 Techninė informacija

■ Vietinė sistema

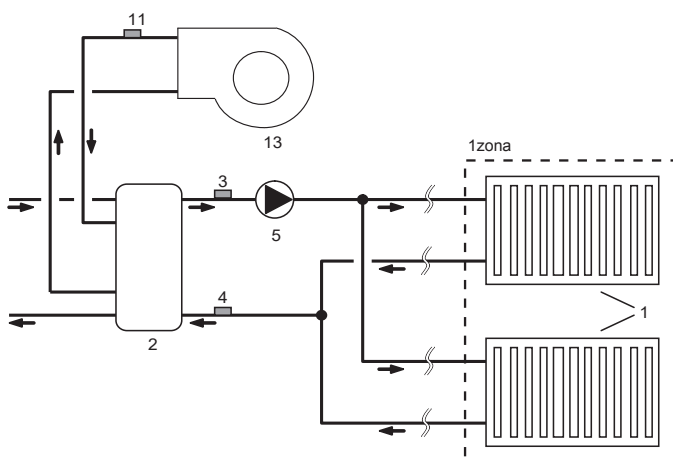
1 zonos temperatūros valdymas



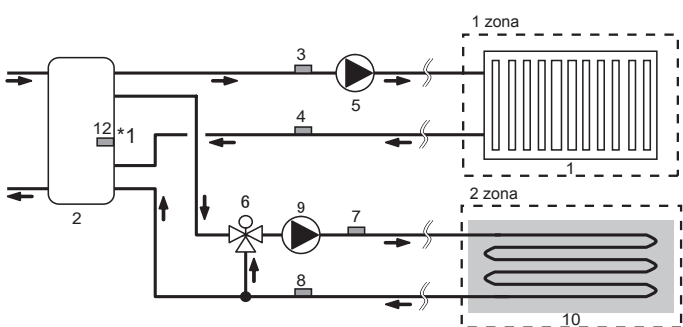
2 zonos temperatūros valdymas



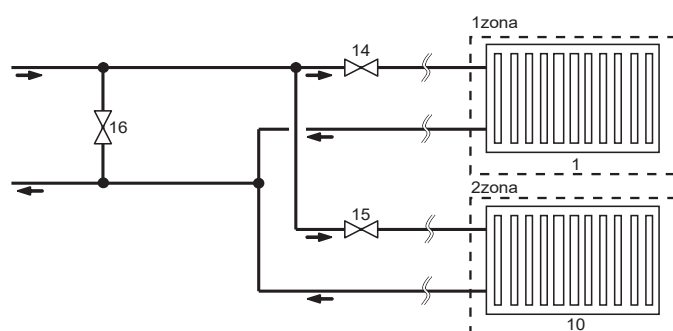
1 zonos temperatūros valdymas su katilu



2 zonos temperatūros valdymas ir buferio talpyklos valdymas



1 zonos temperatūros valdymas (2 zonos vožtuvo įjungimo / išjungimo valdymas)



1. 1 zonos kaitinimo elementai (pvz., radiatorius, ventiliatorinis konvektorius) (teikiami vietoje)
2. Maišymo bakas (teikiamas vietoje)
3. 1 zonos vandens srauto temp. termistorius (THW6) } Pasirenkama dalis: PAC-TH011-E
4. 1 zonos grįžtamojo vandens temp. termistorius (THW7) }
5. 1 zonos cirkuliacinis vandens siurblys (teikiamas vietoje)
6. Motorizuotas maišymo vožtuvas (teikiamas vietoje)
7. 2 zonos vandens srauto temp. termistorius (THW8) } Pasirenkama dalis: PAC-TH011-E
8. 2 zonos grįžtamojo vandens temp. termistorius (THW9) }
9. 2 zonos cirkuliacinis vandens siurblys (teikiamas vietoje)

10. 2 zonos kaitinimo elementai (pvz., grindų šildymas) (teikiami vietoje)
11. Katilo vandens srauto temp. termistorius (THWB1) } Pasirenkama dalis: PAC-TH012HT(L)-E
12. Maišymo bako termistorius (THW10) *1 }
13. Katilas (teikiamas vietoje)
14. 1 zonos dvikryptis vožtuvas (teikiamas vietoje)
15. 2 zonos dvikryptis vožtuvas (teikiamas vietoje)
16. Aplankos vožtuvas (teikiamas vietoje)

*1 TIK buferio talpyklos valdymas (šildymas / vėsinimas) taikomas „Išmanaus tinkelio parengimas“.

4 Montavimas

<Pasiruošimas prieš montavimą ir priežiūrą>

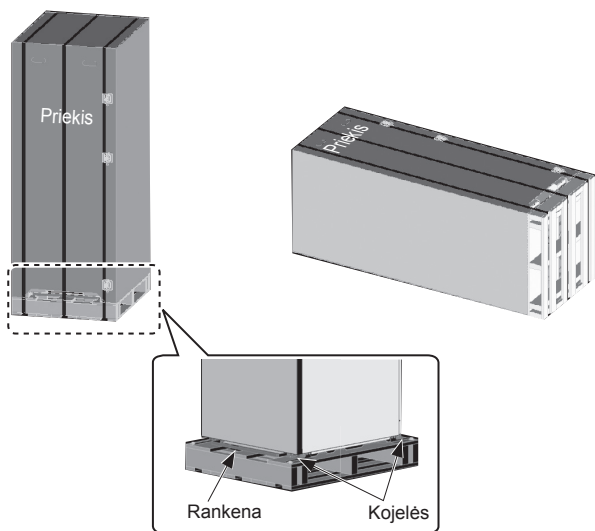
- Paruoškite tinkamus įrankius.
- Paruoškite tinkamą apsaugą.
- Leiskite dalims atvėsti prieš atlikdami techninę priežiūrą.
- Užtikrinkite pakankamą vėdinimą.
- Sustabdę sistemos veikimą, išjunkite maitinimo tiekimo pertraukiklį ir ištraukite maitinimo kištuką.
- Išleiskite kondensatorių prieš pradėdami dirbti su elektrinėmis dalimis.

<Atsargumo priemonės priežiūros metu>

- Nedirbkite su elektrinėmis dalimis, kai jūsų rankos šlapios.
- Nepilkite vandens ar skysčio į elektrines dalis.
- Nelieskite aušinimo skysčio.
- Nelieskite karšto arba šalto paviršių aušinimo skysčio cikle.
- Kai reikia atlikti grandinės remontą arba patikrą neišjungus maitinimo, būkite itin atsargūs, kad NEPALIESTUMĖTE dalių, kuriomis teka elektra.

4.1 Vieta

■ Transportavimas ir tvarkymas



<4.1.1 pav.>

Cilindro įtaisas pateikiamas ant medinio padėklo pagrindo su kartono apsauga.

Transportuojant cilindro įtaisą reikia būti atsargiems, kad korpusas nebūtų pažeistas dėl smūgio. Nepašalinkite apsauginės pakuotės, kol cilindro įtaisas nepasieks savo galutinės vietos. Tai padės apsaugoti konstrukciją ir valdymo skydą.

- Cilindro įtaisą galima transportuoti vertikaliai arba horizontaliai. Transportuojant horizontaliai, skydas, pažymėtas žodžiu „Front“ (Priekis), turi būti nukreiptas į **VIRŠŲ** <4.1.1 pav.>.
- Cilindro įtaisą VISADA privalo kelti mažiausiai 3 asmenys.
- Nešdami cilindro įtaisą, naudokite pateiktas rankenas.
- Prieš naudodami rankenas, įsitinkite, kad jos saugiai pritvirtintos.
- **Pašalinkite priekinę rankeną, fiksavimo kojeles, medinį pagrindą ir kitą pakavimo medžiagą, kai įtaisas yra montavimo vietoje.**
- **Saugokite rankenas, jei prireiktų transportuoti ateityje.**

■ Tinkama vieta

Prieš montavimą cilindro įtaisą reikia laikyti šalčiui ir oro sąlygoms atsparioje vietoje. Įtaisai **NEGALI** būti sukrauti vienas ant kito.

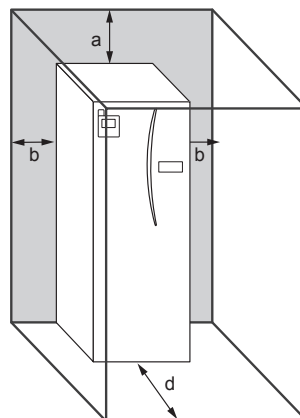
- Cilindro įtaisas turi būti montuojamas patalpoje, apsaugotoje nuo šalčio ir oro sąlygų.
- Montuokite cilindro įtaisą vietoje, kur jo neveikia vanduo arba per didelė drėgmė.
- Cilindro įtaisas turi būti nustatytas ant lygaus paviršiaus, galinčio išlaikyti **PRIPILDYTO** įtaiso svorį. (Siekiant užtikrinti, kad įtaisas stovi lygiai, galima naudoti reguliuojamas kojeles (priedas))
- Naudodami reguliuojamas kojeles, įsitinkite, kad grindys pakankamai stiprios.
- Būtina užtikrinti, kad aplink ir priešais įtaisą būtų paliktas minimalus atstumas techninei priežiūrai atlikti <4.1.2 pav.>.
- Cilindro įtaisą pritvirtinkite, kad jis nenuvirtų.

■ Prieigos techninei priežiūrai atlikti schemas

Prieiga techninei priežiūrai atlikti	
Parametras	Matmenys (mm)
a	300*
b	150
c (už įtaiso esantis atstumas nematomas 4.1.2 pav.)	10
d	500

<4.1.1 lentelė>

TURI būti palikta pakankamai vietos išleidimo vamzdynui pateikti, kaip aprašyta nacionaliniuose ir vietos statybos nuostatuose.



<4.1.2 pav.>

Prieiga techninei priežiūrai atlikti

* Reikia papildomos 300 mm vietos (iš viso 600 mm), kai ant cilindro įtaiso viršaus montuojate pasirinktą 2 zonos rinkinį (PAC-TZ02-E).

Cilindro įtaisą reikia laikyti patalpoje, šalčiui atsparioje vietoje, pavyzdžiui, pagalbinėje patalpoje, siekiant sumažinti laikomo vandens šilumos nuostolius.

■ Padėties keitimas

Jei reikia pakeisti cilindro įtaiso padėtį, prieš perkeldami **VISIŠKAI IŠLEISKITE** vandenį, kad nepažeistumėte įtaiso.

4 Montavimas

4.2 Vandens kokybė ir sistemos paruošimas

■ Bendroji informacija

- Vanduo pagrindiniame ir sanitariniame kontūruose turi būti švarus, o jo pH vertė – 6,5–8,0.
- Toliau pateiktos didžiausios vertės:
 - Kalcis: 100 mg/L, Ca kietumas: 250 mg/L
 - Chloridas: 100 mg/L, varis: 0,3 mg/L
- Kitos sudedamosios dalys turi atitikti Europos direktyvos 98/83 EB standartus.
- Žinomose vandens kietumo vietose siekiant išvengti arba sumažinti nuovirų susidarymą rekomenduojama apriboti laikomo vandens temperatūrą (BKV didž. temp.) iki 55°C.

■ Apsauga nuo užšalimo

Apsaugos nuo užšalimo tirpaluose turėtų būti naudojamas propileno glikolis, kurio toksiškumo įvertinimas – 1 klasė, kaip nurodyta komercinių produktų klinikinės toksikologijos 5 leidime.

Pastaba:

- Etileno glikolis yra toksiškas ir **NEGALI** būti naudojamas pagrindiniame vandens kontūre, jei įvyktų kryžminis geriamojo vandens kontūro užteršimas.
- 2 zonos vožtuvo įjungimo / išjungimo valdymui turi būti naudojamas propileno glikolis.

■ Naujas montavimas (pagrindinis vandens kontūras)

- Prieš prijungdami lauko įtaisą, kruopščiai išvalykite vamzdyną, kad jame neliktų konstrukcijos nuosėdų, lydmatalio ir pan., naudodami tinkamą cheminę valymo medžiagą.
- Praplaukite sistemą, kad pašalintumėte cheminę valymo medžiagą.
- Į visas supakuoto modelio sistemas pripilkite bendro inhibitoriaus ir apsaugos nuo užšalimo tirpalo, kad apsaugotumėte vamzdyną ir sistemos komponentus nuo pažeidimo.
- Naudojant padalyto modelio sistemas, atsakingas montuotojas turėtų nuspręsti, ar reikia apsaugos nuo užšalimo tirpalo pagal kiekvienos vietos sąlygas. Tačiau korozijos inhibitorius reikia naudoti VISADA.

■ Esamas montavimas (pagrindinis vandens kontūras)

- Prieš prijungiant lauko įtaisą, esamą šildymo kontūrą BŪTINA išvalyti naudojant chemines medžiagas siekiant iš šildymo kontūro pašalinti esamas nuosėdas.
- Praplaukite sistemą, kad pašalintumėte cheminę valymo medžiagą.
- Į visas supakuoto modelio sistemas ir padalyto modelio arba PUMY sistemą be pagalbinio šildytuvo pripilkite bendro inhibitoriaus ir apsaugos nuo užšalimo tirpalo, kad apsaugotumėte vamzdyną ir sistemos komponentus nuo pažeidimo.
- Naudojant padalyto modelio sistemas, atsakingas montuotojas turėtų nuspręsti, ar reikia apsaugos nuo užšalimo tirpalo pagal kiekvienos vietos sąlygas. Tačiau korozijos inhibitorius reikia naudoti VISADA.

Naudodami chemines medžiagas ir inhibitorius, visada laikykitės gamintojo instrukcijų ir užtikrinkite, kad produktas tinkamas vandens kontūre naudojamiems medžiagoms.

4.3 Vandens vamzdynas

■ Karšto vandens vamzdynas

Cilindro įtaisas yra NEIŠLEIDŽIAMAS. Montuojant neišleidžiamas karšto vandens sistemas, reikia laikytis statybos nuostatų G3 (Anglija ir Velsas), P3 (Škotija) ir P5 (Šiaurės Airija) dalių. Jei gyvenate ne JK, laikykitės savo šalies nuostatų, taikomų neišleidžiamoms karšto vandens sistemoms.

Prijunkite BKV srautą prie A vamzdžio (3.1 pav.).

Montuojant reikia patikrinti, ar tinkamai veikia toliau pateikti cilindro įtaiso saugos komponentai:

- Slėgio mažinimo vožtuvas (pagrindinis kontūras ir talpa)
- Plėtimosi indo išankstinis užpildymas (dujų darbinis slėgis)

Būtina atidžiai laikytis toliau pateiktų instrukcijų dėl karšto vandens išleidimo iš saugos įtaisų.

- Vamzdynas labai įkai, todėl jį reikia izoliuoti, kad žmonės nenusidegintų.
- Jungdami vamzdyną, užtikrinkite, kad į vamzdį nepatektų jokių pašalinių objektų, pavyzdžiui, nuosėdų.

■ Šalto vandens vamzdynas

Šaltas vanduo pagal atitinkamą standartą (žr. 4.2 skyrių) turi būti tiekiamas į sistemą prijungus B vamzdį (3.1 pav.) su atitinkama armatūra.

■ Mažiausias vandens kiekis, kurio reikia patalpos oro šildymo (vėsinimo) grandinei

Lauko šilumos siurblys	Vidutinis/šiltesnis klimatas**		Šaltesnis klimatas**	
	Vidaus įtaisas, kuriame yra vandens [L]	*Reikalingas papildomas vandens kiekis [L]	Vidaus įtaisas, kuriame yra vandens [L]	*Reikalingas papildomas vandens kiekis [L]
Supakuotas modelis	PUZ-WM50	2	5	24
	PUZ-WM60	4		29
	PUZ-WM85	7		32
	PUZ-WM112	11		43
	PUZ-HWM140	15		55
Padalytas modelis	SUZ-SWM40	1	5	12
	SUZ-SWM60	2		21
	SUZ-SWM80	4		29
	PUD-S(H)WM60	4		21
	PUD-S(H)WM80	6		29
	PUD-S(H)WM100	9		38
	PUD-S(H)WM120	12		47
	PUD-SHW140	15		55
	PUHZ-FRP71	6		27
	PUHZ-SW75	6		27
	PUHZ-SW100	9		38
	PUHZ-SW120	12		47
	PUHZ-SHW80	6		29
	PUHZ-SHW112	11		43
	PUHZ-SHW140	15		55
	PUMY-P112	22		75
	PUMY-P125	22		75
PUMY-P140	22	75		

<4.2.1 lentelė>

* Jei yra aplankos grandinė, aukščiau nurodytoje lentelėje pateikta informacija reiškia mažiausią vandens kiekį aplankos atveju.

** Žr. 2009/125/EB: energiją vartojančių gaminių direktyva ir reglamentas (ES) Nr. 813/2013, kad patvirtintumėte savo klimato zoną.

1 atvejis. Pagrindinis ir šalutinis kontūrai neatskirti

- Patikrinkite, ar vandens vamzdyje ir radiatoriuje arba grindų šildymo sistemoje yra reikiamas vandens kiekis pagal 4.2.1 lentelę.

2 atvejis. Atskirkite pagrindinį ir šalutinį kontūrus

- Jei nepasiekama pagrindinio ir šalutinio siurblių blokavimo operacija, patikrinkite tik pagrindiniame kontūre reikiamą vandens kiekį pagal 4.2.1 lentelę.
- Jei nepasiekama pagrindinio ir šalutinio siurblių blokavimo operacija, patikrinkite bendrą vandens kiekį pagrindiniame ir šalutiniame kontūruose pagal 4.2.1 lentelę.

Jei trūksta reikiamo vandens kiekio, sumontuokite buferio talpyklą.

■ Apsauga nuo neigiamo slėgio

Siekdamas išvengti neigiamo slėgio, veikiančio BKV talpą, montuotojas turi sumontuoti atitinkamą vamzdyną arba naudoti atitinkamus įrenginius.

■ Hidraulinis filtras (TIK E*PT serija)

Sumontuokite hidraulinį filtrą arba tinklinį filtrą (teikiamas vietoje) vandens imtuve („E vamzdis“ 3.1 pav.).

■ Vamzdyno jungtys

Cilindro įtaiso jungtys turi būti tvirtinamos naudojant 22 arba 28 mm suspaudimą. Jungdami BKV vamzdžius su kompresine armatūra, įkiškite **BKV vamzdžiui skirtą varinę movą** (papildomos dalys) į vamzdžius ir priveržkite 0,75–1,25 pasukimo.

Nepriveržkite kompresinės armatūros per daug, kadangi alyvinės spalvos žiedas gali deformuotis ir atsirasti nuotėkis.

Pastaba: prieš lituodami vamzdžius, apsaugokite ant cilindro įtaiso esančius vamzdžius naudodami drėgnus rankšluosčius ir pan. kaip „apsauginį gaubtą nuo karščio“.

■ Vamzdyno izoliavimas

- Visi atviri vandens vamzdynai turi būti izoliuoti norint išvengti šilumos nuostolių ir kondensacijos susidarymo. Kad kondensatas nepatektų į cilindro įtaisą, vamzdynas ir cilindro įtaiso viršuje esančios jungtys turi būti atidžiai izoliuoti.
- Šalto ir karšto vandens vamzdynai neturėtų būti arti vienas kito, jei įmanoma, kad nebūtų perduota šiluma.
- Tarp lauko šilumos siurblio ir cilindro įtaiso esantis vamzdynas turi būti izoliuotas naudojant tinkamą vamzdžio izoliavimo medžiagą, kurios šilumos laidumas yra $\leq 0,04$ W/m.K.

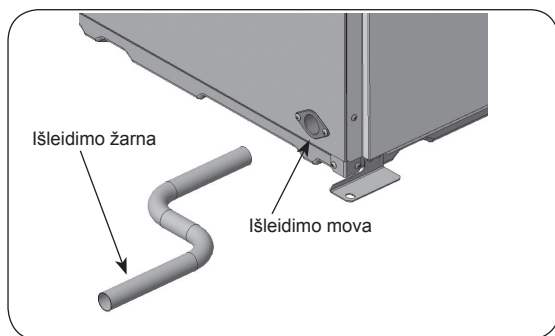
4 Montavimas

■ Išleidimo vamzdynas (TIK ER serija)

Pasirenkamos dalies „Išleidimo vonelės stovo“ nereikia nustatyti, kadangi išleidimo vonelė yra sumontuota. Išleidimas turi būti nustatytas iš išleidimo movos, esančios įtaiso kairėje, gale.

Norint vėsinimo režimo metu išleisti kondensatą, reikia sumontuoti išleidimo vamzdį.

- Kad nešvarus vanduo nebūtų išleistas tiesiai ant grindų, šalia cilindro įtaiso, prijunkite atitinkamą išleidimo vamzdyną prie cilindro išleidimo vonelės.
- Tvirtai sumontuokite išleidimo vamzdį, kad išvengtumėte nuotėkio iš jungties.
- Tvirtai izoliuokite išleidimo vamzdį, kad iš vietoje teikiamo išleidimo vamzdžio nelašėtų vanduo.
- Išleidimo vamzdį montuokite 1/100 arba didesniame nuolydyje.
- Nemontuokite išleidimo vamzdžio išleidimo kanale, kur yra sieros dujų.
- Sumontavę patikrinkite, ar iš išleidimo vamzdžio vanduo tinkamai išleidžiamas į išleidimo vietą.



<4.3.1 pav.>

<Montavimas>

1. Išleidimo mova (vidaus skersmuo – 26mm) yra cilindro įtaiso kairėje, gale. (4.3.1 pav.)
2. Pritvirtinkite išleidimo vamzdį (VP-20), tinkantį išleidimo movai, su polivinilo chlorido tipo klijais.
3. Nustatykite išleidimo vamzdyną movos viršuje taip, kad nuokalnė būtų didesnė nei viena šimtoji.

Pastaba: tvirtai paremkite vietoje teikiamą išleidimo vamzdį, kad išleidimo vamzdis neiškristų iš išleidimo movos.



■ Plėtimosi indų dydžio nustatymas

Plėtimosi indo tūris turi atitikti vietos sistemos vandens tūrį.

Norint nustatyti plėtimosi indo, skirto šildymo kontūrai, dydį, galima naudoti toliau pateiktą formulę ir grafiką.

Kai reikalingas plėtimosi indo tūris viršija integruoto plėtimosi indo tūrį, sumontuokite papildomą plėtimosi indą, kad bendras plėtimosi indų tūris viršytų reikalingą plėtimosi indo tūrį.

* Montuodami E***T***-M*ED* modelį, pateikite ir sumontuokite tinkamą pagrindinės pusės plėtimosi indą ir papildomą 3 bar slėgio mažinimo vožtuvą, kadangi modelis pateikiamas BE pagrindinės pusės plėtimosi indo.

$$V = \frac{\varepsilon \times G}{1 - \frac{P_1 + 0,098}{P_2 + 0,098}}$$

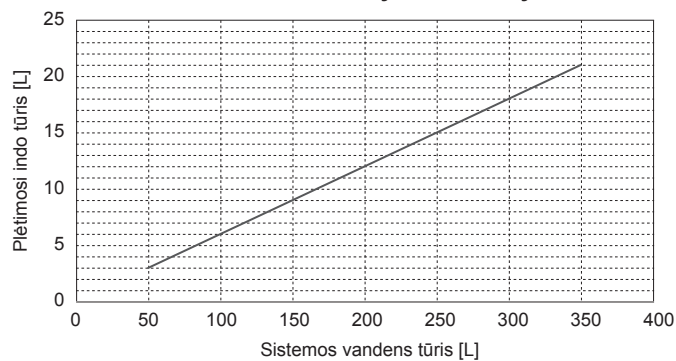
Kur:

- V : reikalingas plėtimosi indo tūris [L]
- ε : vandens plėtimosi koeficientas
- G : bendras vandens tūris sistemoje [L]
- P₁ : plėtimosi indo nustatymo slėgis [MPa]
- P₂ : didž. slėgis operacijos metu [MPa]

Dešinėje pateiktas grafikas skirtas šioms vertėms

- ε : esant 70°C = 0,0229
- P₁ : 0,1 MPa
- P₂ : 0,3 MPa
- *Pridėta 30 % saugos atsarga.

Plėtimosi indo dydžio nustatymas



<4.3.2 pav.>

4 Montavimas

■ Cirkuliacinio vandens siurblio charakteristikos

1. Pagrindinis kontūras

Siurblio greitį galima pasirinkti pagrindinio nuotolinio valdymo pultu (žr. <4.3.3–4.3.7 pav.>).

Reguliuokite siurblio greitį, kad pagrindinio kontūro tekėjimo greitis būtų tinkamas sumontuotam lauko įtaisui (žr. 4.3.1 lentelę). Gali reikėti prie sistemos pridėti papildomą siurbį priklausomai nuo pagrindinio kontūro ilgio ir pakėlimo.

Jei lauko įtaiso modelis nėra nurodytas <4.3.1 lentelėje>, žr. vandens tekėjimo greičio diapazoną, nurodytą lauko įtaiso duomenų knygelės specifikacijų lentelėje.

<Antrasis siurblys>

Jei reikia sumontuoti antrąjį siurbį, atidžiai perskaitykite toliau pateiktą informaciją.

Jei sistemoje naudojamas antrasis siurblys, jį galima nustatyti 2 būdais.

Nuo siurblio padėties priklauso, prie kurio STV gnybto turi būti prijungtas signalo kabelis. Jei papildomas (-i) siurblys (-iai) turi didesnę nei 1A srovę, naudokite atitinkamą relę. Siurblio signalo kabelis gali būti prijungtas prie TBO.1 1-2 arba CNP1, bet NE prie abiejų.

1 parinktis (tik patalpos oro šildymas / vėsinimas)

Jei antrasis siurblys naudojamas tik šildymo grandinei, tuomet signalo kabelis turi būti prijungtas prie TBO.1 3 ir 4 gnybtų (OUT2). Pasirinkus šią padėtį, siurblys gali veikti skirtingu greičiu nei cilindro įtaiso integruotas siurblys.

2 parinktis (pagrindinis kontūras BKV ir patalpos oro šildymas / vėsinimas)

Jei antrasis siurblys naudojamas pagrindiniame kontūre tarp cilindro įtaiso ir lauko įtaiso (TIK supakuota sistema), tuomet signalo kabelis turi būti prijungtas prie TBO.1 1 ir 2 gnybtų (OUT1). Pasirinkus šią padėtį, siurblio greitis **PRIVALO** sutapti su cilindro įtaiso integruoto siurblio greičiu.

Pastaba: žr. 5.2 įvadų / išvadų jungimas.

Lauko šilumos siurblys		Vandens tekėjimo greičio diapazonas [L/min.]
Supakuotas modelis	PUZ-WM50	6,5–14,3
	PUZ-WM60	8,6–17,2
	PUZ-WM85	10,8–24,4
	PUZ-WM112	14,4–32,1
	PUZ-HWM140	17,9–36,9
Padalytas modelis	SUZ-SWM40	6,5–11,4
	SUZ-SWM60	7,2–17,2
	SUZ-SWM80	7,8–21,5
	PUD-S(H)WM60	9,0–22,9
	PUD-S(H)WM80	9,0–22,9
	PUD-S(H)WM100	14,3–34,4
	PUD-S(H)WM120	14,3–34,4
	PUD-SHW140	14,3–34,4
	PUHZ-FRP71	11,5–22,9
	PUHZ-SW75	10,2–22,9
	PUHZ-SW100	14,4–32,1
	PUHZ-SW120	20,1–36,9
	PUHZ-SHW80	10,2–22,9
	PUHZ-SHW112	14,4–32,1
	PUHZ-SHW140	17,9–36,9
PUMY-P112	17,9–35,8	
PUMY-P125	17,9–35,8	
PUMY-P140	17,9–35,8	

<4.3.1 lentelė>

* Jei vandens tekėjimo greitis yra mažesnis nei mažiausias srauto jutiklio tekėjimo greitis (nustatymas – 5,0 L/min.), bus suaktyvinta tekėjimo greičio klaida.

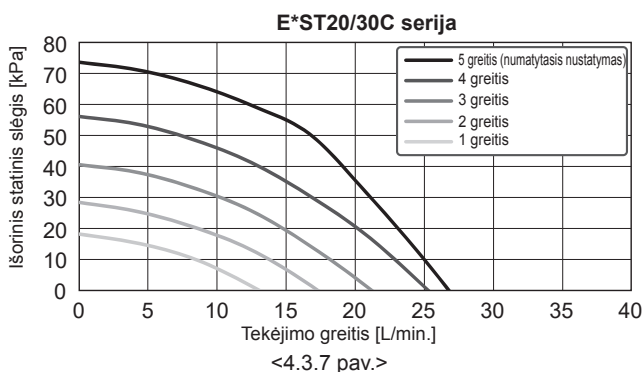
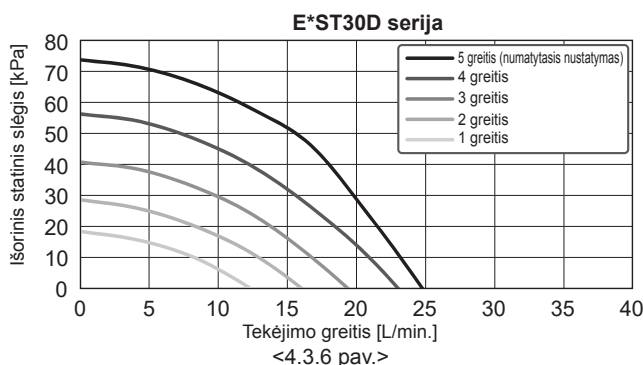
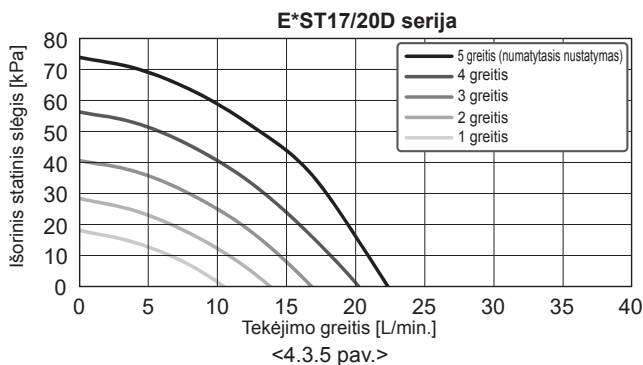
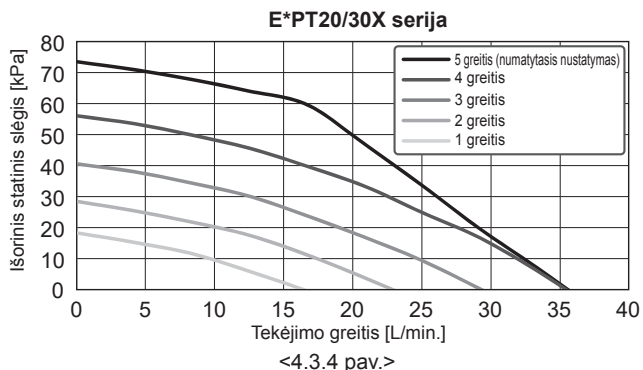
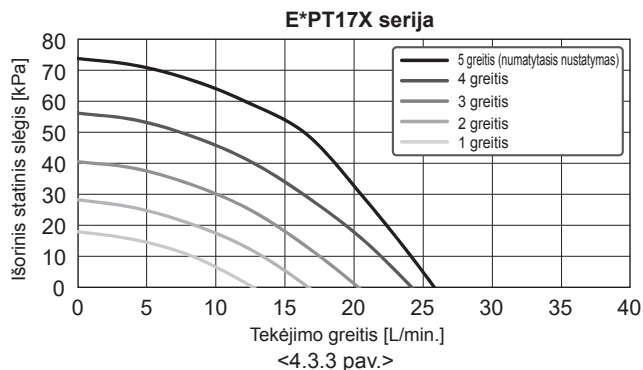
Jei vandens tekėjimo greitis viršija 36,9 L/min. (E**T20/30 serija) arba 25,8 L/min. (E**T17 serija), srauto bus didesnis nei 2,0 m/s, o tai gali ardyti vamzdžius.

2. Sanitarinis kontūras

Numatytasis nustatymas: 2 greitis

BKV cirkuliacinis siurblys PRIVALO būti nustatytas į 2 greitį.

Cirkuliacinio vandens siurblio charakteristikos



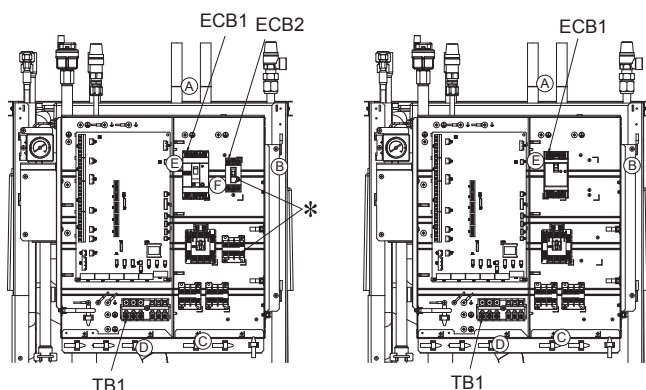
*Montuodami E*PT seriją, nustatykite jos siurblio greitį, esant slėgio kritimui tarp cilindro įtaiso ir lauko įtaiso, atsižvelgiant į išorinį statinį slėgį.

4 Montavimas

4.4 Elektros jungimas

Visus elektros darbus turi atlikti tinkamai kvalifikuotas technikas. Priešingai gali kilti gaisras, galima susižaloti elektros srove arba žūti. Taip pat bus anuliuota gaminio garantija. Visa instaliacija turi atitikti nacionalinius instaliacijos teisės aktus.

Pertraukiklio sutrumpinimas	Reikšmė
ECB1	Žeminio nutekėjimo grandinės pertraukiklis, skirtas pagalbiniam šildytuvui
ECB2	Žeminio nutekėjimo grandinės pertraukiklis, skirtas panardinamam šildytuvui
TB1	1 išvadų plokštė



<1 fazė (su panardinamu šildytuvu)>

<3 fazė (be panardinamojo šildytuvo)>

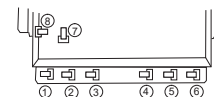
Cilindro įtaisui maitinimas gali būti tiekiamas dviem būdais.

1. Lauko įtaiso maitinimo kabelis prijungtas prie cilindro įtaiso.
2. Cilindro įtaisas turi nepriklausomą elektros energijos šaltinį.

Jungtys turi būti jungiamos prie gnybtų, kaip nurodyta kairiuosiuose paveikslėliuose, priklausoma nuo fazės.

Pagalbinis ir panardinamas šildytuvai turi būti prijungti nepriklausomai vienas nuo kito prie jiems skirtų maitinimo šaltinių.

- Vietoje teikiami laidai turi būti perkšti per cilindro įtaiso viršuje esančius įvadus. (Žr. <3.4 lentelė>.)
- Laidai turi būti nutiesti dešinėje valdymo ir elektros bloko pusėje ir suspausti pateiktais spaustukais.
- Laidai turi būti įkišti individualiai per kabelinius įvadus.
 - Išvesties laidas
 - Vidaus-lauko laidas
 - Maitinimo linija (pag. š.) / maitinimo linija (pan. š.) (parinktis)
 - Signalų įvesties laidai
- Prijunkite lauko įtaisą – cilindro įtaiso jungiamasis kabelis prie TB1.
- Prijunkite pagalbinio šildytuvo maitinimo kabelį prie ECB1.
- Jei yra panardinamas šildytuvai, prijunkite maitinimo kabelį prie ECB2.



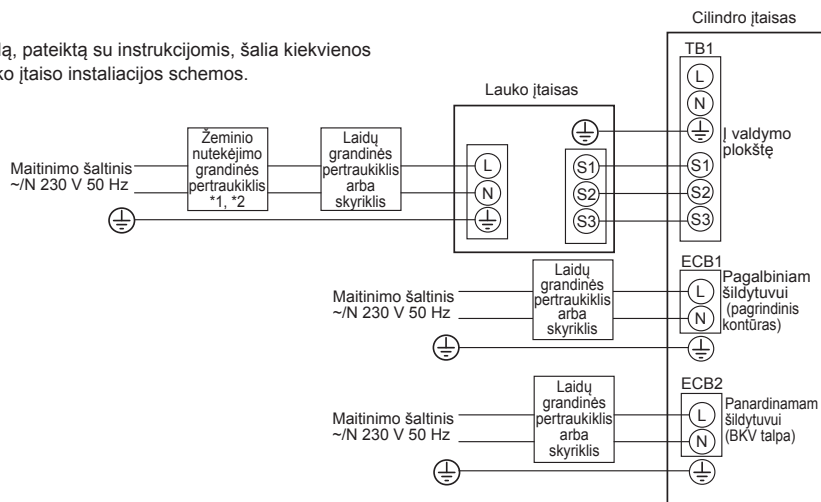
- Venkite sąlyčio tarp laidų ir dalių (*).
- Įsitikinkite, kad ECB1 ir ECB2 įjungti.
- Baigę instaliacijos darbus, įsitikinkite, kad pagrindinio nuotolinio valdymo pulto kabelis prijungtas prie relės jungties.

Cilindro įtaisas, maitinamas per lauko įtaisą

(Jei norite naudoti nepriklausomą šaltinį, eikite į „Mitsubishi“ svetainę.)

<1 fazė>

Pritvirtinkite A ženklą, pateiktą su instrukcijomis, šalia kiekvienos cilindro įtaiso ir lauko įtaiso instaliacijos schemas.



<4.4.1 pav.>

Elektros jungtys, 1 fazė

1. Jei sumontuotas žeminio nutekėjimo grandinės pertraukiklis neturi apsaugos nuo per didelės srovės funkcijos, sumontuokite pertraukiklį, turintį tą funkciją, palei tą pačią maitinimo liniją.
2. Turi būti pateiktas pertraukiklis su bent 3,0 mm tarpkontaktių kiekviename poliuje. Naudokite žeminio nutekėjimo pertraukiklį (NV). Pertraukiklis turi būti pateiktas siekiant užtikrinti, kad visi aktyvūs fazės laidininkai yra atjungti.
3. Daug. 45 m
Naudojant 2,5 mm², daug. 50 m
Naudojant 2,5 mm² ir atskyrus S3, daug. 80 m
4. Aukščiau pateiktoje lentelėje nurodytos vertės ne visada išmatuojamos pagal įžeminimo vėtelę.

Aprašas	Maitinimo šaltinis	Galingumas	Pertraukiklis	Instaliacija
Pagalbinis šildytuvai (pagrindinis kontūras)	~N 230 V 50 Hz	2 kW	16 A *2	2,5 mm ²
		6 kW	32 A *2	6,0 mm ²
Panardinamas šildytuvai (BKV talpa)	~N 230 V 50 Hz	3 kW	16 A *2	2,5 mm ²

Instaliacijos Nr. x dydis (mm ²)	Cilindro įtaisas – lauko įtaisas	*3	3 x 1,5 (polinis)
	Cilindro įtaisas – lauko įtaiso įžeminimas	*3	1 x maž. 1,5
Grandinės vardinė vertė	Cilindro įtaisas – lauko įtaisas S1–S2	*4	230 V KS
	Cilindro įtaisas – lauko įtaisas S2–S3	*4	24 V NS

Pastaba: 1. Laidų dydis turi atitikti taikomus vietas ir nacionalinius kodeksus.

2. Vidaus įtaiso / lauko įtaiso jungiamieji laidai negali būti lengvesni nei polichloropreno apvalkalu dengti lankstūs laidai. (Konstrukcija 60245 IEC 57)

Vidaus įtaiso maitinimo tiekimo laidai negali būti lengvesni nei polichloropreno apvalkalu dengti lankstūs laidai. (Konstrukcija 60227 IEC 53)

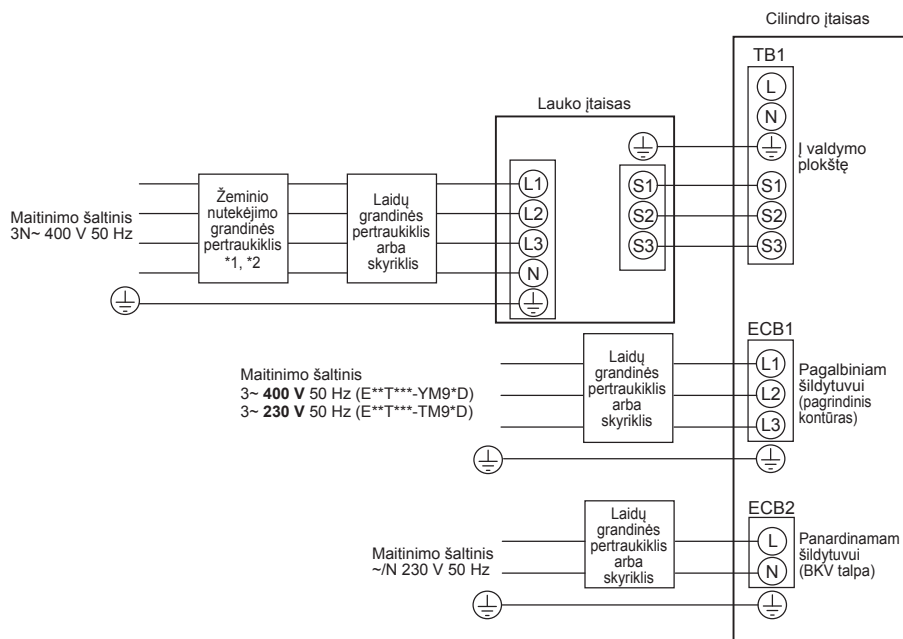
3. Sumontuokite ilgesnį už kitus kabelius įžeminimą.

4. Išlaikykite pakankamai maitinimo šaltinio atiduodamosios galios kiekvienam šildytuvui. Dėl nepakankamos maitinimo šaltinio atiduodamosios galios gali susidaryti vibracija.

4 Montavimas

<3 fazė>

Pritvirtinkite A ženklą, pateiktą su instrukcijomis, šalia kiekvieno cilindro įtaiso ir lauko įtaiso instaliacijos schemas.



<4.4.2 pav.>
Elektros jungtys, 3 fazė

Aprašas	Maitinimo šaltinis	Galingumas (vidaus įtaisas, nuor.)	Pertraukiklis	Instaliacija
Pagalbinis šildytuvas (pagrindinis kontūras)	3~ 400 V 50 Hz	9 kW	16 A *2	2,5 mm ²
	3~ 230 V 50 Hz	9 kW	32 A *2	6,0 mm ²
Panardinamas šildytuvas (BKV talpa)	~N 230 V 50 Hz	3 kW	16 A *2	2,5 mm ²

Instaliacija Instaliacijos Nr. x dydis (mm ²)	Cilindro įtaisas – lauko įtaisas	*3	3 x 1,5 (polinis)
	Cilindro įtaisas – lauko įtaiso įžeminimas	*3	1 x maž. 1,5
Grandinės vardinė vertė	Cilindro įtaisas – lauko įtaisas S1–S2	*4	230 V KS
	Cilindro įtaisas – lauko įtaisas S2–S3	*4	24 V NS

- *1. Jei sumontuotas žeminio nutekėjimo grandinės pertraukiklis neturi apsaugos nuo per didelės srovės funkcijos, sumontuokite pertraukiklį, turintį tą funkciją, palei tą pačią maitinimo liniją.
- *2. Turi būti pateiktas pertraukiklis su bent 3,0 mm tarpkontaktių kiekviename poliuje. Naudokite žeminio nutekėjimo pertraukiklį (NV). Pertraukiklis turi būti pateiktas siekiant užtikrinti, kad visi aktyvūs fazės laidininkai yra atjungti.
- *3. Daug. 45 m
Naudojant 2,5 mm², daug. 50 m
Naudojant 2,5 mm² ir atskyrus S3, daug. 80 m
- *4. Aukščiau pateiktoje lentelėje nurodytos vertės ne visada išmatuojamos pagal įžeminimo vertę.

Pastaba: 1. Laidų dydis turi atitikti taikomus vietas ir nacionalinius kodeksus.

2. Vidaus įtaiso / lauko įtaiso jungiamieji laidai negali būti lengvesni nei polichloropreno apvalkalu dengti lankstūs laidai. (Konstrukcija 60245 IEC 57)

Vidaus įtaiso maitinimo tiekimo laidai negali būti lengvesni nei polichloropreno apvalkalu dengti lankstūs laidai. (Konstrukcija 60227 IEC 53)

3. Sumontuokite ilgesnį už kitus kabelius įžeminimą.

4. Išlaikykite pakankamai maitinimo šaltinio atiduodamosios galios kiekvienam šildytuvui. Dėl nepakankamos maitinimo šaltinio atiduodamosios galios gali susidaryti vibracija.

5 Sistemos nustatymas

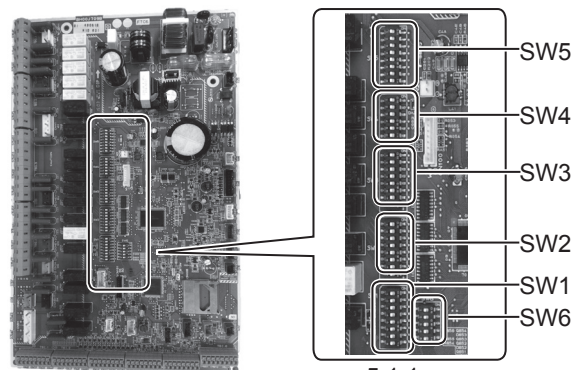
5.1 DIP jungiklio funkcijos

DIP jungiklio numeris išspausdintas ant mikroschemos, šalia atitinkamų jungiklių. Žodis ON (Ij.) išspausdintas ant mikroschemos ir DIP jungiklio bloko. Norėdami pajudinti jungiklį, turėsite naudoti kaištį arba plonos metalinės liniuotės kampą ar pan.

DIP jungiklio nustatymai išvardyti 5.1.1 lentelėje.

DIP jungiklio nustatymą gali keisti tik įgaliojotas montuotojas, savo nuožiūra, pagal montavimo sąlygas.

Būtinai išjunkite vidaus ir lauko įtaisų maitinimą prieš keisdami jungiklio nustatymus.



<5.1.1 pav.>

DIP jungiklis	Funkcija	OFF (Išj.)	ON (Ij.)	Numatytieji nustatymai: vidaus įtaiso modelis			
SW1	SW1-1 Katilas	BE katilo	SU katilu	OFF (Išj.)			
	SW1-2 Šilumos siurblio didž. išleidžiamo vandens temperatūra	55 °C	60 °C	ON (Ij.) *1			
	SW1-3 BKV talpa	BE BKV talpos	SU BKV talpa	ON (Ij.)			
	SW1-4 Panardinamas šildytuvas	BE panardinamo šildytuvo	SU panardinamu šildytuvu	OFF (Išj.): išskyrus EHPT20X-MHEDW ON (Ij.): EHPT20X-MHEDW			
	SW1-5 Pagalbinis šildytuvas	BE pagalbinio šildytuvo	SU pagalbinio šildytuvu	OFF (Išj.): E**T***-M*ED* ON (Ij.): E**T***-M 2/6/9*D			
	SW1-6 Pagalbinio šildytuvo funkcija	Tik šildymui	Šildymui ir BKV	OFF (Išj.): E**T***-M*ED* ON (Ij.): E**T***-M 2/6/9*D			
	SW1-7 Lauko įtaiso tipas	Padalytas tipas	Supakuotas tipas	OFF (Išj.): E*ST***-M**D ON (Ij.): E*PT**X-*M**D*			
	SW1-8 Belaidis nuotolinio valdymo pultas	BE belaidžio nuotolinio valdymo pulto	SU belaidžiu nuotolinio valdymo pultu	OFF (Išj.)			
SW2	SW2-1 1 patalpos termostato įvesties (IN1) logikos keitimas	1 zonos operacijos stabd. ties termost. trumpojo jungimo grand.	1 zonos operacijos stabd. ties termost. atvirąja grand.	OFF (Išj.)			
	SW2-2 1 srauto jungiklio įvesties (IN2) logikos keitimas	Gedimo aptikimas ties trump. jungimo grandine	Gedimo aptikimas ties atvirąja grandine	OFF (Išj.)			
	SW2-3 Papildomo šildytuvo galingumo apribojimas	Neaktyvus	Aktyvus	OFF (Išj.): išskyrus E**T***-VM2*D ON (Ij.): E**T***-VM2*D			
	SW2-4 Vėsinimo režimo funkcija	Neaktyvus	Aktyvus	OFF (Išj.): EH*T***-M**D* ON (Ij.): ER*T***-M**D			
	SW2-5 Automatinis jungiklis rezervinei šilumos šaltinio operacijai (kai lauko įtaisas sustoja dėl klaidos)	Neaktyvus	Aktyvus *2	OFF (Išj.)			
	SW2-6 Maišymo bakas	BE maišymo bako	SU maišymo baku	OFF (Išj.)			
	SW2-7 2 zonos temperatūros valdymas	Neaktyvus	Aktyvus *6	OFF (Išj.)			
	SW2-8 Srauto jutiklis	BE srauto jutiklio	SU srauto jutikliu	ON (Ij.)			
SW3	SW3-1 2 patalpos termostato įvesties (IN6) logikos keitimas	2 zonos operacijos stabd. ties termost. trumpojo jungimo grand.	2 zonos operacijos stabd. ties termost. atvirąja grand.	OFF (Išj.)			
	SW3-2 2 ir 3 srauto jungiklio įvesties logikos keitimas	Gedimo aptikimas ties trump. jungimo grandine	Gedimo aptikimas ties atvirąja grandine	OFF (Išj.)			
	SW3-3 Trikampio vožtuvo tipas	KS variklis	Žingsninis variklis	OFF (Išj.): išskyrus E**T17X/ 17D/20D-*M**D* ON (Ij.): E**T17X/ 17D/20D-*M**D			
	SW3-4 Elektros energijos skaitiklis	BE elektros energijos skaitiklio	SU elektros energijos skaitikliu	OFF (Išj.)			
	SW3-5 Šildymo režimo funkcija *3	Neaktyvus	Aktyvus	ON (Ij.)			
	SW3-6 2 zonos vožtuvo Ij. / Išj. valdymas	Neaktyvus	Aktyvus	OFF (Išj.)			
	SW3-7 Šilumokaitis BKV	Ritė bake	Išorinė plokštė HEX	ON (Ij.)			
	SW3-8 Šilumomatis	BE šilumomačio	SU šilumomačiu	OFF (Išj.)			
SW4	SW4-1	—	—	OFF (Išj.)			
	SW4-2	—	—	OFF (Išj.)			
	SW4-3	—	—	OFF (Išj.)			
	SW4-4 Tik vidaus įtaiso naudojimas (montavimo metu) *4	Neaktyvus	Aktyvus	OFF (Išj.)			
	SW4-5 Avarinis režimas (veikiant tik šildytuvui)	Normalus	Avarinis režimas (veikiant tik šildytuvui)	OFF (Išj.) *5			
	SW4-6 Avarinis režimas (veikiant katilui)	Normalus	Avarinis režimas (veikiant katilui)	OFF (Išj.) *5			
SW5	SW5-1	—	—	OFF (Išj.)			
	SW5-2 Pažangus autom. pritaikymas	Neaktyvus	Aktyvus	ON (Ij.)			
	SW5-3	Galingumo kodas					
	SW5-4						
	SW5-5	E**T**C-*M**D	ON (Ij.)	ON (Ij.)	ON (Ij.)	ON (Ij.)	OFF (Išj.)
	SW5-6	E**T**D-*M**D	ON (Ij.)	OFF (Išj.)	OFF (Išj.)	ON (Ij.)	OFF (Išj.)
	SW5-7	E**T**X-*M**D*	OFF (Išj.)	OFF (Išj.)	OFF (Išj.)	OFF (Išj.)	OFF (Išj.)
	SW5-8	—	—	—	—	—	OFF (Išj.)
SW6	SW6-1	—	—	—	—	OFF (Išj.)	
	SW6-2	—	—	—	—	OFF (Išj.)	
	SW6-3 Slėgio jutiklis	Neaktyvus	Aktyvus	Aktyvus	Aktyvus	OFF (Išj.): išskyrus E*ST**D-*M**D ON (Ij.): E*ST**D-*M**D	
	SW6-4 Analoginio išėjimo signalas (0–10V)	Neaktyvus	Aktyvus	Aktyvus	Aktyvus	OFF (Išj.)	
	SW6-5	—	—	—	—	OFF (Išj.)	

<5.1.1 lentelė>

Pastaba: *1. Kai cilindro įtaisas prijungtas prie PUMY-P lauko įtaiso, kurio didžiausia išleidžiamo vandens temperatūra yra 55 °C, DIP SW1-2 turi būti nustatyti ties OFF (Išj.).

*2. Bus pasiekiamas išorinis išvadas (OUT11). Saugos sumetimais ši funkcija nėra pasiekama tam tikroms klaidoms. (Tokiu atveju sistemos darba reikia sustabdyti, o cirkuliacinis vandens siurblys gali veikti toliau.)

*3. Šis jungiklis veikia tik tada, kai cilindro įtaisas prijungtas prie PUIZ-FRP lauko įtaiso. Kai prijungtas kito tipo lauko įtaisas, šildymo režimas yra aktyvus nepaisant to, ar šis jungiklis yra nustatytas ties ON (Ij.) ar OFF (Išj.).

*4. Patalpos šildymą ir BKV galima valdyti tik vidaus įtaise, pvz., elektriniame šildytuve. (Žr. „5.4 Tik vidaus įtaiso naudojimas“.)

*5. Jei avarinis režimas nebereikalingas, grąžinkite jungiklį į padėtį OFF (Išj.).

*6. Aktyvus tik tada, kai SW3-6 nustatytas ties OFF (Išj.).

5 Sistemos nustatymas

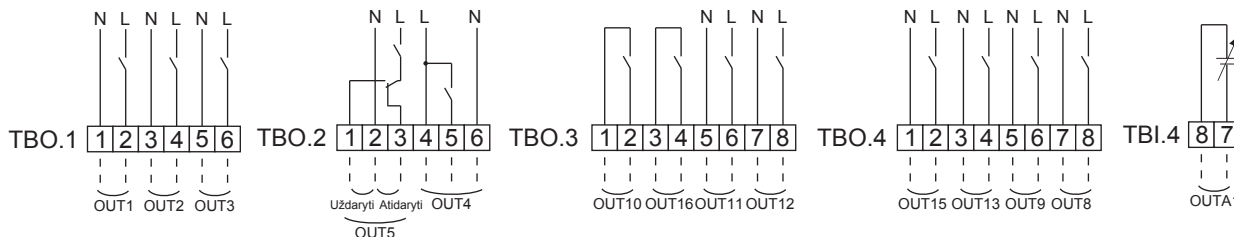
Išvadai

Pavadinimas	Išvadų plokštė	Jungtis	Elementas	OFF (Išj.)	ON (Ij.)	Signalas / didž. srovė	Didž. bendra srovė
OUT1	TBO.1 1-2	CNP1	1 cirkuliacinio vandens siurblio išvadas (patalpos šildymas / vėsinimas ir BKV)	OFF (Išj.)	ON (Ij.)	Daug. 230 V KS 1,0 A (Paleidimo srovė daug. 40 A)	4,0 A (a)
OUT2	TBO.1 3-4	—	2 cirkuliacinio vandens siurblio išvadas (patalpos šildymas / vėsinimas 1 zonai)	OFF (Išj.)	ON (Ij.)	Daug. 230 V KS 1,0 A (Paleidimo srovė daug. 40 A)	
OUT3	TBO.1 5-6	—	3 cirkuliacinio vandens siurblio išvadas (patalpos šildymas / vėsinimas 2 zonai) *1	OFF (Išj.)	ON (Ij.)	Daug. 230 V KS 1,0 A (Paleidimo srovė daug. 40 A)	
OUT14	—	CNP4	2b dvikrypčio vožtuvo išvadas *2	OFF (Išj.)	ON (Ij.)	Daug. 230 V KS 1,0 A (Paleidimo srovė daug. 40 A)	
OUT4	TBO.2 4-6	CNV1	Trikrypčio vožtuvo (dvikrypčio vožtuvo) išvadas	Šildymas	BKV	Daug. 230 V KS 0,1 A	3,0 A (b)
	—	CN851	Trikrypčio vožtuvo išvadas				
OUT5	TBO.2 1-2	—	Maišymo vožtuvo išvadas *1	Sustabdyti	Uždaryti	Daug. 230 V KS 0,1 A	
—	TBO.2 2-3			Atidaryti			
OUT6	—	CNBH 1-3	1 pagalbinio šildytuvo išvadas	OFF (Išj.)	ON (Ij.)	Daug. 230 V KS 0,5 A (relė)	
OUT7	—	CNBH 5-7	2 pagalbinio šildytuvo išvadas	OFF (Išj.)	ON (Ij.)	Daug. 230 V KS 0,5 A (relė)	
OUT8	TBO.4 7-8	—	Vėsinimo išėjimo signalas	OFF (Išj.)	ON (Ij.)	Daug. 230 V KS 0,5 A	
OUT9	TBO.4 5-6	CNIH	Panardinamo šildytuvo išvadas	OFF (Išj.)	ON (Ij.)	Daug. 230 V KS 0,5 A (relė)	
OUT11	TBO.3 5-6	—	Klaidos išvadas	Normalus	Klaida	Daug. 230 V KS 0,5 A	
OUT12	TBO.3 7-8	—	Atitirpinimo išvadas	Normalus	Atitirpinimas	Daug. 230 V KS 0,5 A	
OUT13	TBO.4 3-4	—	2a dvikrypčio vožtuvo išvadas *2	OFF (Išj.)	ON (Ij.)	Daug. 230 V KS 0,1 A	
OUT15	TBO.4 1-2	—	Komp. ij. signalas	OFF (Išj.)	ON (Ij.)	Daug. 230 V KS 0,5 A	
OUT10	TBO.3 1-2	—	Katilo išvadas	OFF (Išj.)	ON (Ij.)	kontaktas be įtampos ·220 - 240 V KS (30 V NS) ·0,5 A arba mažiau ·10 mA 5V NS arba daugiau	—
OUT16	TBO.3 3-4	—	Šildymo (vėsinimo) termost. ij. signalas	OFF (Išj.)	ON (Ij.)		
OUTA1	TBI.4 7-8	—	Analoginis išėjimas		0 - 10 V	Daug. 0 - 10 V NS 5 mA	—

Nejunkite prie gnybtų, kurie nurodyti kaip „—“ laukelyje „Terminal block“ (Išvadų plokštė).

*1 2 zonos temperatūros valdymui.

*2 2 zonos vožtuvo ij. / išj. valdymui.



Kaip naudoti TBO (nuo 1 iki 4)

Instalacijos specifikacija ir vietoje teikiamos dalys

Elementas	Pavadinimas	Modelis ir specifikacijos
Išorinio išvado funkcija	Išvesties laidas	Naudokite vinilo apvalkalu dengtą laidą arba kabelį. Daug. 30 m Laido tipas: CV, CVS arba panašus Laido dydis: daugiagyslis laidas nuo 0,25 mm ² iki 1,5 mm ² ištinis laidas: nuo Ø0,57 mm iki Ø1,2 mm

Pastaba:

- Kai cilindro įtaisą maitina lauko įtaisas, didžiausia bendra (a)+(b) srovė yra 3,0 A.
- Neprijunkite kelių cirkuliacinių vandens siurblių tiesiai prie kiekvieno išvado (OUT1, OUT2 ir OUT3). Tokiu atveju prijunkite juos per (a) relė (-es).
- Neprijunkite cirkuliacinių vandens siurblių prie abiejų TBO.1 1-2 ir CNP1 vienu metu.
- Prijunkite atitinkamą viršįtampio absoravimo prietaisą prie OUT10 (TBO.3 1-2) priklausomai nuo vietoje esančios apkrovos.
- Daugiagyslis laidas turi būti apdorotas su izoliacija padengtu plokštelės tipo gnybtu (DIN46228-4 standartinis suderinamas tipas).
- Naudokite signalo įvesties laidą OUTA1 instaliacijai.



Prijunkite naudodami kurį nors aukščiau pateiktą būdą.
<5.2.2 pav.>

5.3 2 zonos temperatūros valdymo instaliacija

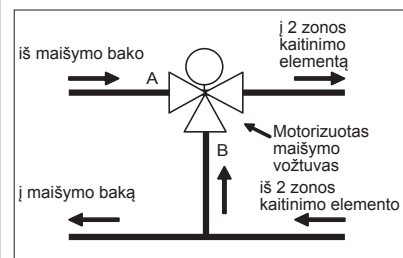
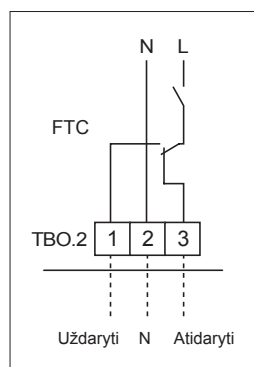
Prijunkite vamzdyną ir vietoje teikiamas dalis pagal atitinkamą grandinės schemą, pavaizduotą šios instrukcijos 3 skyriuje „Vietinė sistema“.

<Maišymo vožtuvas>

Prijunkite signalo liniją prie atidarytos A angos (karšto vandens įleidžiamoji anga), TBO. 2-3 (atidaryti), signalo liniją prie atidarytos B angos (šalto vandens įleidžiamoji anga), TBO. 2-1 (uždaryti), ir neutralaus gnybto laidą prie TBO. 2-2 (N).

<Termistorius>

- Nemontuokite termistorių ant maišymo bako.
- Montuokite 2 zonos srauto temp. termistorių (THW8) šalia maišymo vožtuvo.
- Didžiausias termistoriaus laidų ilgis yra 30 m.
- Pasirenkamų termistorių laidų ilgis yra 5 m. Jei jums reikia sujungti ir pailginti laidus, reikia atlikti toliau pateiktus veiksmus.
 - Sujungkite laidus sulituodami.
 - Izoliuokite kiekvieną sujungimo vietą nuo dulkių ir vandens.



It

5 Sistemos nustatymas

5.4 Tik vidaus įtaiso naudojimas (montavimo metu)

Kai reikia, kad veiktų BKV arba šildymas, prieš prijungiant prie lauko įtaiso, t. y. montavimo metu, galima naudoti elektrinį šildytuvą vidaus įtaise (*1).

*1 Modelis tik su elektriniu šildytuvu.

1. Norint pradėti operaciją

- Patikrinkite, ar vidaus įtaiso maitinimo tiekimas išjungtas, ir įjunkite DIP jungiklius 4-4 ir 4-5.
- Įjunkite vidaus įtaiso maitinimą.

2. Norint baigti operaciją*2

- Išjunkite vidaus įtaiso maitinimą.
- Išjunkite DIP jungiklius 4-4 ir 4-5.

*2 Baigus tik vidaus įtaiso operaciją, patikrinkite nustatymus, kai prijungiamas lauko įtaisas.

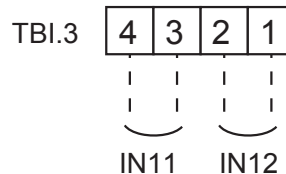
Pastaba:

ilgas veikimas gali paveikti elektros šildytuvo naudojimo trukmę.

5.5 Išmanaus tinklelio parengimas

Veikiant BKV arba šildymui, galima naudoti toliau lentelėje pateiktas komandas.

IN11	IN12	Reikšmė
OFF (Išj.) (atviroji)	OFF (Išj.) (atviroji)	Įprasta eksploatacija.
ON (J.) (trump. jungimo)	OFF (Išj.) (atviroji)	Rekomenduojama įjungti
OFF (Išj.) (atviroji)	ON (J.) (trump. jungimo)	Išjungimo komanda
ON (J.) (trump. jungimo)	ON (J.) (trump. jungimo)	Įjungimo komanda



5.6 SD atminties kortelės naudojimas

Cilindro įtaiso STV integruota SD atminties kortelės sąsaja.

Naudojant SD atminties kortelę, galima supaprastinti pagrindinio nuotolinio valdymo pulto nustatymus ir išsaugoti veiklos žurnalus. *1

*1 Norint redaguoti pagrindinio nuotolinio valdymo pulto nustatymus arba patikrinti operacinius duomenis, reikia „Ecodan“ priežiūros įrankio (naudojimui kompiuteryje).

<Naudojimo reikalavimai>

- (1) Naudokite SD atminties kortelę, kuri atitinka SD standartus. Patikrinkite, ar ant SD atminties kortelės yra vienas iš dešinėje pusėje pateiktų logotipų.
- (2) SD atminties kortelės, atitinkančios SD standartus, apima SD, SDHC, mini SD, micro SD ir micro SDHC atminties korteles. Jų talpa gali būti iki 32 GB. Pasirinkite tą, kurios didžiausia naudojimo temperatūra yra 55 °C.
- (3) Kai SD atminties kortelė yra mini SD, mini SDHC, micro SD arba micro SDHC atminties kortelė, naudokite SD atminties kortelės keitiklio adapterį.
- (4) Prieš įrašydami į SD atminties kortelę, išjunkite apsaugos nuo įrašymo jungiklį.



- (5) Prieš įkišdami arba išimdami SD atminties kortelę, išjunkite sistemą. Įkišant arba išimant SD atminties kortelę, kai sistema įjungta, gali būti sugadinti išsaugoti duomenis arba sugadinta SD atminties kortelė.
*SD atminties kortelė trumpai veikia po to, kai sistema išjungta. Prieš įkišdami arba ištraukdami kortelę, palaukite, kol ant STV valdymo plokštės esančios LED lemputės išsijungs.
- (6) Skaitymo ir įrašymo operacijos buvo patikrintos naudojant toliau pateiktas SD atminties korteles, tačiau šios operacijos ne visada garantuojamos, kadangi šių SD atminties kortelių specifikacijos gali pasikeisti.

- (7) Būtinai laikykitės SD atminties kortelės gamintojo instrukcijų ir reikalavimų.
- (8) Formatuokite SD atminties kortelę, jei atlikus (6) veiksmą nustatoma, kad jos negalima skaityti. Gali būti, kad tai atlikus kortelę bus galima skaityti. Atsisiųskite SD kortelės formatavimo programą iš toliau nurodytos svetainės. „SD Association“ svetainė: <https://www.sdcard.org/home/>
- (9) STV palaiko FAT failų sistemą, bet nepalaiko NTFS failų sistemą.
- (10) „Mitsubishi Electric“ neatsako visiškai ar iš dalies už jokią žalą, įskaitant neįrašymą į SD atminties kortelę, išsaugotų duomenų sugadinimą ar praradimą ir pan. Jei reikia, sukurkite išsaugotų duomenų atsarginę kopiją.
- (11) Nelieskite STV valdymo plokštės elektroninių dalių įkišdami arba išimdami SD atminties kortelę – valdymo plokštė gali sugesti.

Logotipai		
Talpa		
2–32 GB *2		
SD greičio klasės		
Visos		

- SD logotipas yra SD-3C, LLC prekės ženklas.
- „mini SD“ logotipas yra SD-3C, LLC prekės ženklas.
- „micro SD“ logotipas yra SD-3C, LLC prekės ženklas.

*2 2 GB SD atminties kortelėje išsaugomi daugiausiai 30 dienų veiklos žurnalai.

Gamintojas	Modelis	Išbandyta
Verbatim	#44015	2012 m. kovą
SanDisk	SDSDB-002G-B35	2011 m. spalį
Panasonic	RP-SDP04GE1K	2011 m. spalį
Arvato	2GB PS8032 TSB 24 nm MLC	2012 m. birželį
Arvato	2GB PS8035 TSB A19 nm MLC	2014 m. liepą
SanDisk	SDSDUN-008G-G46	2016 m. spalį
Verbatim	#43961	2016 m. spalį
Verbatim	#44018	2016 m. spalį
VANTASTEK	VSDHC08	2017 m. rugsėjį

Prieš naudodami naują SD atminties kortelę (įskaitant prie įtaiso pridėtą kortelę), visada patikrinkite, ar STV gali saugiai skaityti SD atminties kortelę ir ją įrašyti.

<Kaip patikrinti skaitymo ir įrašymo operacijas>

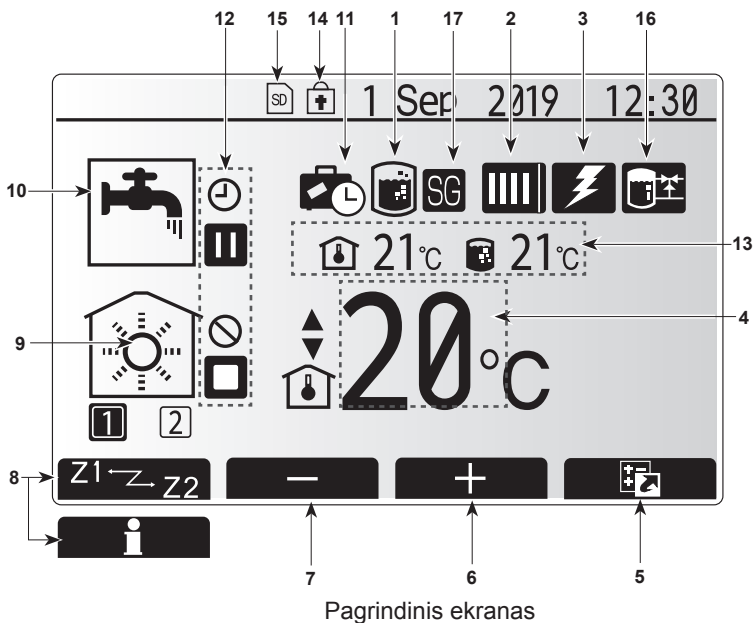
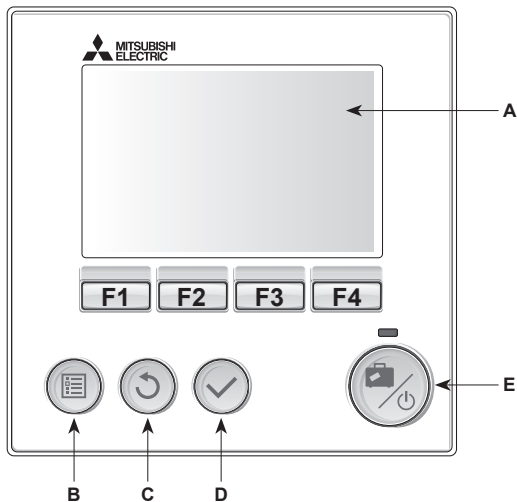
- a) Patikrinkite, ar sistema tinkamai prijungta prie maitinimo šaltinio. Norėdami daugiau informacijos, žr. 4.5 skyrių.
(Šiuo metu sistemos neįjunkite.)
- b) Įkiškite SD atminties kortelę.
- c) Įjunkite sistemą.
- d) LED4 lemputė šviečia, jei skaitymo ir įrašymo operacijos sėkmingai baigtos. Jei LED4 lemputė mirksi arba nešviečia, STV negali skaityti SD atminties kortelės arba į ją įrašyti.

5 Sistemos nustatymas

5.7 Pagrindinis nuotolinio valdymo pultas

Norėdami pakeisti savo šildymo / vėsinimo sistemos nustatymus naudokitės pagrindiniu nuotolinio valdymo pultu, esančiu priekiniame cilindro įtaiso arba hidromodulio skyde. Toliau pateiktos pagrindinių nustatymų peržiūros gairės. Prireikus daugiau informacijos, susisiekite su montuotoju arba vietiniu „Mitsubishi Electric“ prekybos atstovu.

Vėsinimo režimas yra tik ERS serijos įrangoje. Tačiau vėsinimo režimas neveikia, kai vidaus įtaisas prijungtas prie PUHZ-FRP.



<Pagrindinio nuotolinio valdymo pulto dalys>

Raidė	Pavadinimas	Funkcija
A	Ekranas	Ekranas, kuriame rodoma visa informacija
B	Meniu	Prieiga prie sistemos nustatymų pirminei sąrankai ir pakeitimams atlikti.
C	Atgal	Grįžti į ankstesnį meniu.
D	Pavirtinti	Naudojamas pasirinkti arba išsaugoti. (Ivesties mygtukas)
E	Maitinimas / atostogos	Jei sistema išjungta, paspaudus vieną kartą sistema bus įjungta. Paspaudus dar kartą kai sistema įjungta, bus įgalintas atostogų režimas. Palaikius mygtuką nuspausta 3 sek., sistema bus išjungta. (*1)
F1-4	Funkciniai mygtukai	Naudojami eiti per meniu ir koreguoti nustatymus. Funkcija nustatoma pagal meniu rodinį, matomą ekrane A.

*1

Kai sistema išjungta arba atjungtas maitinimas, cilindro įtaiso apsauginės funkcijos (pvz., aps. nuo užšalimo funkcija) NEVEIKIA. Atminkite, kad tuo metu, kai šios apsauginės funkcijos neįjungtos, kyla potencialus cilindro įtaiso sugadinimo pavojus.

<Pagrindinio ekrano piktogramos>

	Piktograma	Aprašas
1	Legionelių prevencija	Ši piktograma rodoma, kai įjungtas „Legionelių prevencijos režimas“.
2	Šilumos siurblys	„Šilumos siurblys“ veikia. Atitirpinimas Šildymas avariniu režimu „Tylusis režimas“ suaktyvintas.
3	Elektrinis šildytuvas	Ši piktograma rodoma, kai naudojami „Elektriniai šildytuvai“ (pagalbinis arba panardinamasis šildytuvas).
4	Tikslinė temperatūra	Tikslinė srauto temperatūra Tikslinė patalpos temperatūra Kompensacinė kreivė
5	PARINKTIS	Paspaudus po šia piktograma esantį funkcinį mygtuką bus rodomas parinkties ekranas.
6	+	Padidinti norimą temperatūrą.
7	-	Sumažinti norimą temperatūrą.
8	Z1 Z2	Paspaudus po šia piktograma esantį funkcinį mygtuką perjungama iš 1-os zonos į 2-ą ir atvirkščiai. Informacija Paspaudus po šia piktograma esantį funkcinį mygtuką rodomas informacijos ekranas.
9	Patalpos oro šildymo (vėsinimo) režimas	Šildymo režimas 1 arba 2 zona Vėsinimo režimas 1 arba 2 zona
10	BKV režimas	Normalus arba ECO režimas
11	Atostogų režimas	Ši piktograma rodoma, kai įjungtas „Atostogų režimas“.
12		Laikmatis Draudžiama Serverio valdymas Budėjimo režimas Budėjimo režimas (*2) Sustabdyti Veikia
13	Esama temperatūra	Esama patalpos temperatūra Esama BKV talpos vandens temperatūra
14		Meniu mygtukas yra užblokuotas arba darbo režimų perjungimas iš BKV į „Šildymas“ ir atvirkščiai yra atjungtas ekrane „Parinktis“ (*3)
15		SD atminties kortelė įkišta. Įprastas veikimas. SD atminties kortelė įkišta. Neįprastas veikimas.
16	Buferio bako valdymas	Ši piktograma rodoma, kai įjungtas „Buffer tank control“ (Buferio bako valdymas).
17	Išmanaus tinkelio parengimas	Ši piktograma rodoma, kai įjungtas „Smart grid ready“ (Išmanaus tinkelio parengimas).

*2 Šis įrenginys veikia budėjimo režimu, o kitas (kiti) vidaus įrenginys (-iai) veikia pirmumo teise.

*3 Norėdami užblokuoti arba išblokuoti meniu, vienu metu paspauskite ir 3 sekundes palaikykite mygtukus ATGAL ir PATVIRTINTI.

5 Sistemos nustatymas

■ [Initial setting wizard] (Pirminių nustatymų vedlys)

Pirmą kartą įjungus pagrindinį nuotolinio valdymo pultą, ekrane automatiškai iš eilės įsijungia kalbos nustatymo, datos (laiko) nustatymo ir pagrindinių nustatymų meniu ekranai. Įveskite pageidaujimą skaičių funkciniais mygtukais ir paspauskite [CONFIRM] (Patvirtinti).

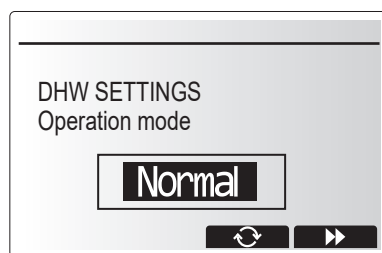
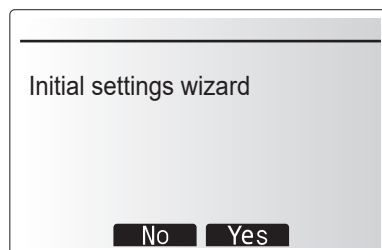
Pastaba:

<HEATER CAPACITY RESTRICTION> (Šildytuvo galingumo apribojimas)

Šis nustatymas apriboja papildomo šildytuvo galingumą. Paleidus NEGALIMA pakeisti nustatymo.

Jei jūsų šalyje netaikomi specialūs reikalavimai (pvz., statybos nuostatai), praleiskite šį nustatymą (pasirinkite „No“ (Ne)).

- [Hot water (DHW/Legionella)] (Karštas vanduo (BKV / legionelės))
- [Heating]/[Cooling] (Šildymas / vėsinimas)
- [Operation (ON/Prohibited/Timer)] (Operacija (įjungta / draudžiama / laikmatis))
- [Pump speed] (Siurblio greitis)
- [Heat pump flow rate range] (Šilumos siurblio srauto diapazonas)
- [Mixing valve control] (Maišymo vožtuvo valdymas)
- [HEATER CAPACITY RESTRICTION] (Šildytuvo galingumo apribojimas)



■ Pagrindinis nustatymų meniu

Pagrindinių nustatymų meniu galima pasiekti paspaudus mygtuką [MENU] (Meniu). Siekiant sumažinti pavojų, kad neišmokyti galutiniai naudotojai netyčia nepakeistų nustatymų, pateikiami du prieigos prie pagrindinių nustatymų lygiai: o priežiūros meniu yra apsaugotas slaptažodžiu.

Naudotojo lygis – trumpas paspaudimas

Paspaudus mygtuką [MENU] (Meniu) kartą trumpai, pagrindiniai nustatymai bus rodomi, tačiau nebus galima jų redaguoti. Taip naudotojas galės peržiūrėti esamus nustatymus, tačiau **NEGALĖS** keisti parametrų.

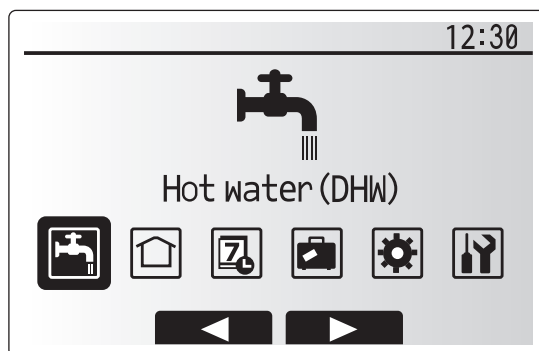
Montuotojo lygis – ilgas paspaudimas

Paspaudus mygtuką [MENU] (Meniu) 3 sek., pagrindiniai nustatymai bus rodomi ir visos funkcijos bus pasiekiamos.

Mygtukų ◀▶ spalva yra atvirkščia, kaip pavaizduota dešiniajame paveikslyje. <5.7.1 pav.>

Galima peržiūrėti ir (arba) redaguoti toliau pateiktus elementus (priklausomai nuo prieigos lygio).

- [Domestic Hot water (DHW)] (Buitinis karštas vanduo (BKV))
- [Heating/Cooling] (Šildymas / vėsinimas)
- [Schedule timer] (Grafiko sudarymo laikmatis)
- [Holiday mode] (Atostogų režimas)
- [Initial settings] (Pirminiai nustatymai)
- [Service (Password protected)] (Priežiūra (apsaugota slaptažodžiu))



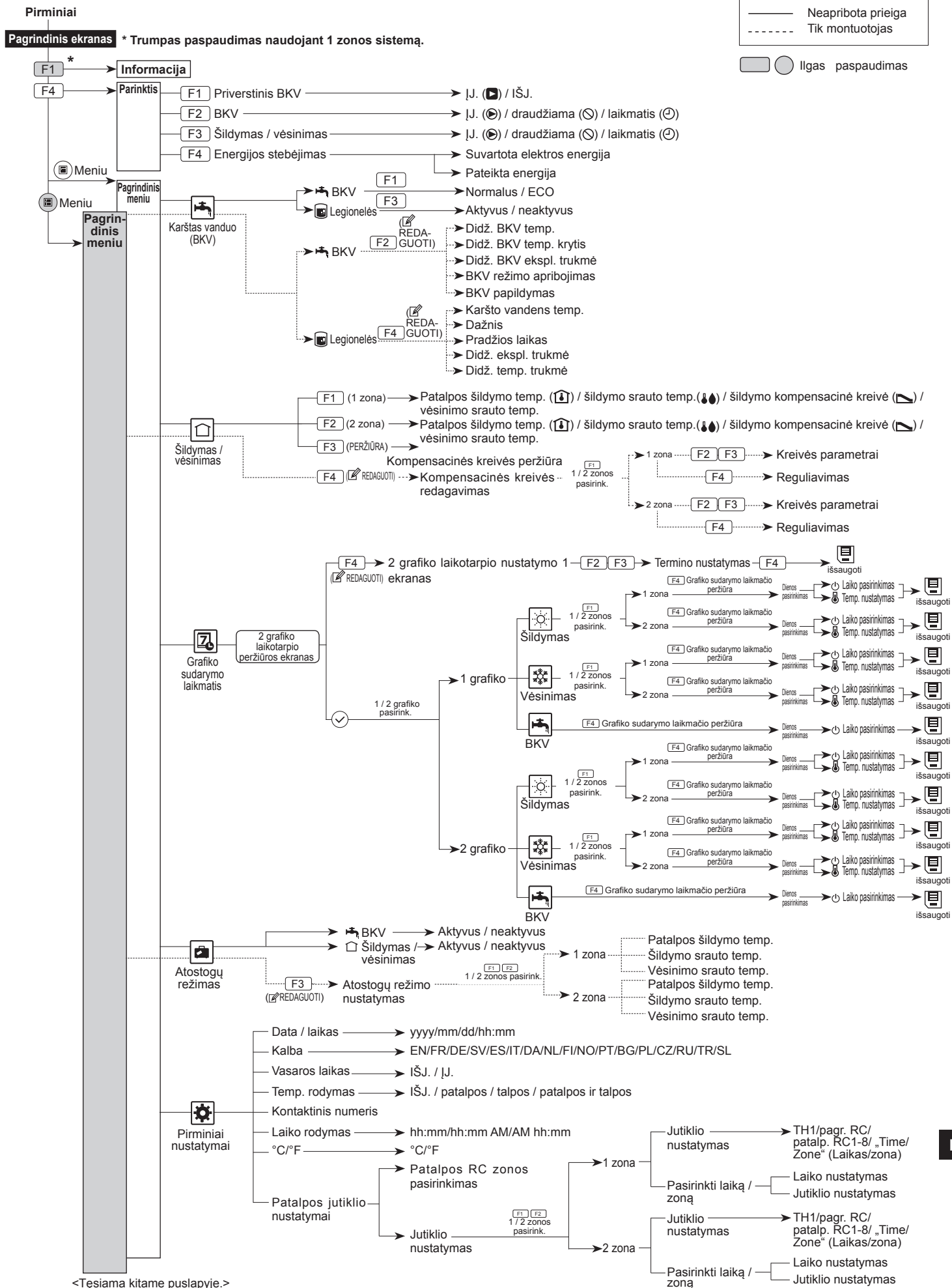
Pagrindinis meniu



<5.7.1 pav.>

5 Sistemos nustatymas

<Pagrindinio valdiklio meniu medis>

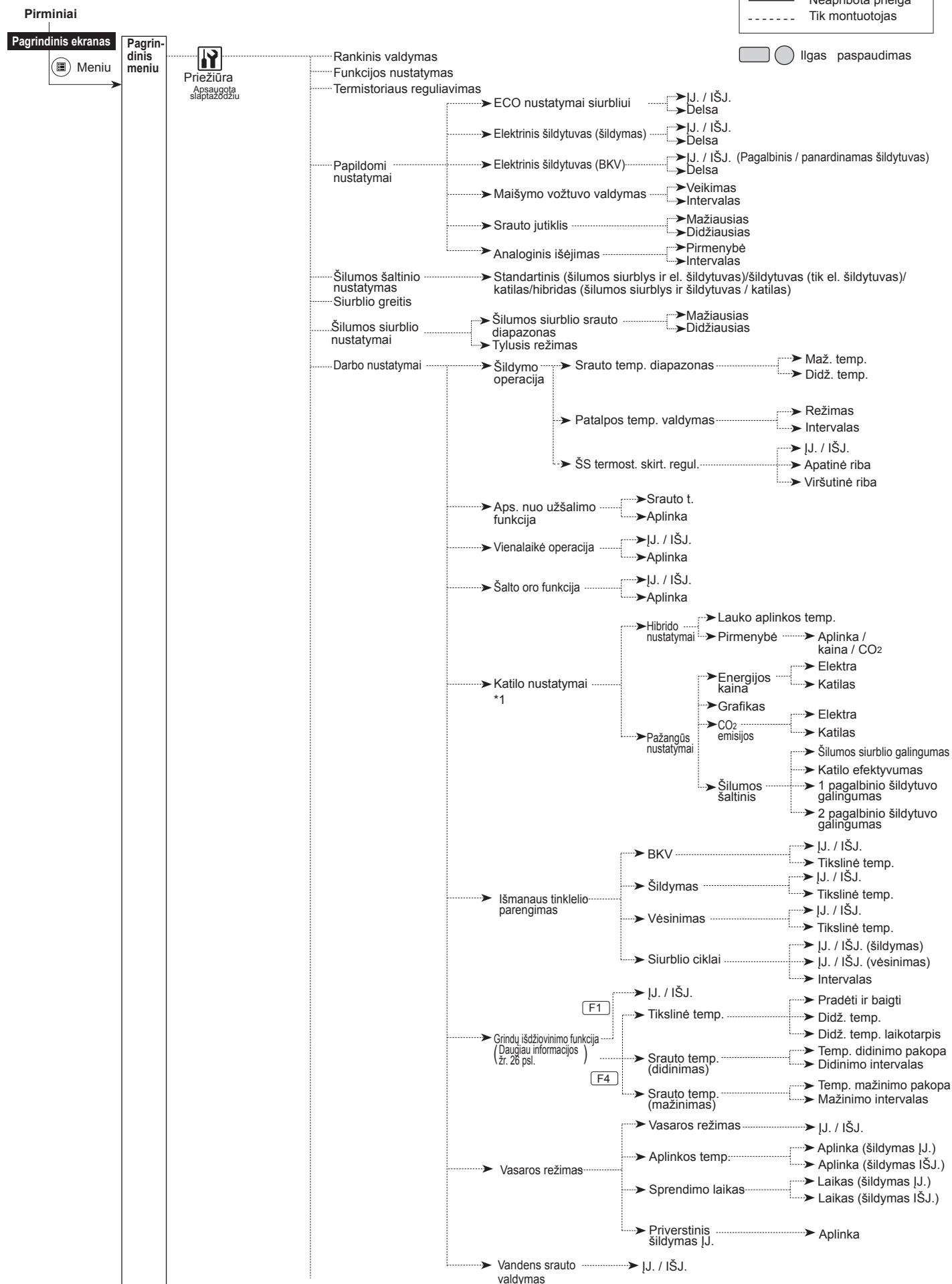


<Tęsiama kitame puslapyje.>

5 Sistemos nustatymas

<Tęsiamas ankstesnis puslapis.>

<Pagrindinio valdiklio meniu medis>

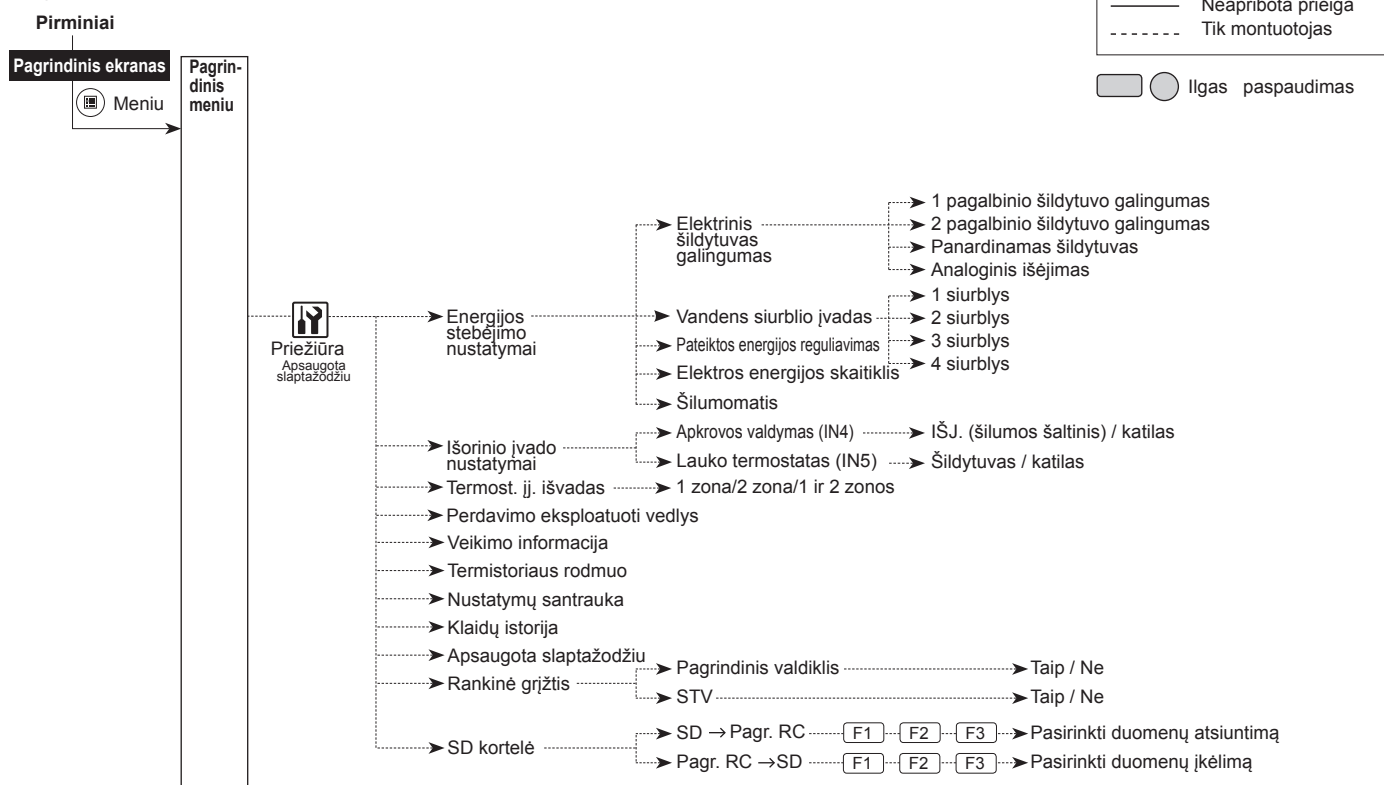


*1 Daugiau informacijos rasite PAC-TH012HT-(L)E montavimo instrukcijoje.

5 Sistemos nustatymas

<Tęsiamas ankstesnis puslapis.>

<Pagrindinio valdiklio meniu medis>



Buitinis karštas vanduo (BKV) / legionelių prevencija

Buitinio karšto vandens ir legionelių prevencijos meniu valdo BKV talpos pašildymo operaciją.

<BKV režimo nustatymai>

1. Pažymėkite karšto vandens piktogramą ir paspauskite [CONFIRM] (Patvirtinti).
2. Mygtuku F1 perjunkite šildymo režimus „Normalus“ ir „ECO“.
3. Norėdami redaguoti režimą, 3 sek. spauskite mygtuką [MENU] (Meniu), tuomet pasirinkite „hot water“ (karštas vanduo).
4. Paspauskite mygtuką F2, kad būtų rodomas meniu [HOTWATER (DHW) SETTING] (Karšto vandens (BKV) nustatymas).
5. Mygtukais F2 ir F3 slinkite meniu iš eilės pasirinkdami kiekvieną komponentą ir spausdami [CONFIRM] (Patvirtinti). Toliau pateiktoje lentelėje aprašytas kiekvienas nustatymas.
6. Įveskite pageidaujamą skaičių funkciniais mygtukais ir paspauskite [CONFIRM] (Patvirtinti).



Meniu antraštė	Funkcija	Diapazonas	Vienetas	Numatytoji vertė
Didž. BKV temp.	Pageidaujama laikomo karšto vandens temp.	40–60	°C	50
Didž. BKV temp. kryptis	Didž. BKV temp. ir temperatūros, kuria BKV režimas atkuriamas, skirtumas	5–30 *	°C	10
Didž. BKV ekspl. trukmė	Didž. laikomo vandens BKV šildymo režimo trukmė	30–120	min.	60
BKV režimo apribojimas	Laikotarpis po BKV režimo, kai patalpos šildymas yra viršesnis už BKV režimą, laikinai apsaugant nuo tolesnio laikomo vandens šildymo (Tik praėjus didž. BKV ekspl. trukmei.)	30–120	min.	30

* Kai didž. BKV temp. nustatyta ties daugiau nei 55°C, BKV režimo atkūrimo temperatūra turi būti mažesnė nei 50°C, kad įtaisas būtų apsaugotas.

<ECO režimas>

BKV režimas gali veikti režimu „Normalus“ arba „ECO“. Pasirinkus normalų režimą, vanduo BKV talpoje įkails greičiau naudojant visą šilumos siurblio energiją. Pasirinkus ECO režimą, vanduo BKV talpoje bus šildomas lėčiau, tačiau bus sumažintos energijos sąnaudos. Tai lemia šilumos siurblio veikimo apribojimas naudojant signalus iš STV ir remiantis išmatuota BKV talpos temperatūra.

Pastaba: faktinės energijos sąnaudos, išsaugotos ECO režime, keisis pagal lauko aplinkos temperatūrą.

<[DHW recharge]> (BKV papildymas)

Pasirinkite BKV kiekį. Jei jums reikia daug karšto vandens, pasirinkite [LARGE] (Didelis), bet padidės eksploataavimo išlaidos.

Grįžkite į BKV / legionelių prevencijos meniu.

5 Sistemos nustatymas

Legionelių prevencijos režimo nustatymai (LP režimas)

1. Mygtuku F3 pasirinkite aktyvų legionelių režimą paspaudę [YES/NO] (Taip/Ne).
2. Norėdami redaguoti legionelių funkciją, 3 sek. spauskite mygtuką [MENU] (Meniu) ir pasirinkite „hot water“ (karštas vanduo), tuomet paspauskite mygtuką F4.
3. Mygtukais F1 ir F2 slinkite meniu iš eilės pasirinkdami kiekvieną antraštę ir spausdami [CONFIRM] (Patvirtinti). Toliau pateiktoje lentelėje aprašytas kiekvienas nustatymas.
4. Įveskite pageidaujamą skaičių funkciniais mygtukais ir paspauskite [CONFIRM] (Patvirtinti).

Legionelių prevencijos režimu talpoje esančio vandens temperatūra pakyla virš 60°C. Taip pristabdomas legionelių bakterijų augimas. Labai rekomenduojama šį veiksmą atlikti reguliariais intervalais. Vietos nuostatuose ieškokite rekomenduojamo pašildymų dažnio.

Pastaba: įvykus hidromodulio gedimui, LP režimas gali neveikti įprastai.

Meniu antraštė	Funkcija	Diapazonas	Vienetas	Numatytoji vertė
Karšto vandens temp.	Pageidaujama laikomo karšto vandens temp.	60–70	°C	65
Dažnis	Laikas tarp LP režimo ir BKV talpos pašildymų	1–30	d.	15
Pradžios laikas	Laikas, kada prasidės LP režimas	0:00–23:00	-	03:00
Didž. ekspl. trukmė	Didž. trukmė, leidžiama LP režimo BKV bako pašildymui	1–5	val.	3
Didž. temp. trukmė	Laikotarpis po to, kai pasiekta LP režimo pageidaujama vandens temp.	1–120	min.	30

Įsidėmėkite, kad LP režimas naudojasi elektriniais šildytuvais, kad papildytų šilumos siurblio energijos tiekimą. Ilgas vandens šildymas nėra veiksmingas ir dėl to padidės eksploatacavimo išlaidos. Montuotojas turi atsivėlgti į legionelių prevencijos svarbą, tačiau nešvaistyti energijos ilgai šildant laikomą vandenį. Galutinis naudotojas turi suprasti šios funkcijos svarbą.

VISADA LAIKYKITĖS JŪSŲ ŠALIAI TAIKOMŲ VIETINIŲ IR NACIONALINIŲ REGLAMENTŲ DĖL LEGIONELIŲ PREVENCIJOS.

[Initial settings] (Pirminiai nustatymai)

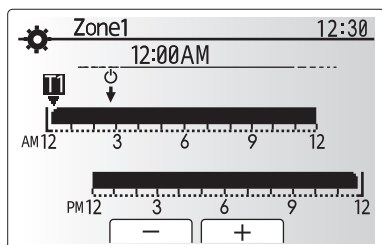
Pirminių nustatymų meniu montuotojas gali nustatyti šias funkcijas.

- [Date/Time] (data / laikas) *įsitikinkite, kad nustatėte vietinį standartinį laiką.
- [Language] (kalba)
- [Summer time] (vasaros laikas)
- [Temp. display] (Temp. rodymas)
- [Contact number] (Kontaktinis numeris)
- [Time display] (Laiko rodymas)
- [°C/°F]
- [Room sensor settings] (patalpos jutiklio nustatymai)

Kad nustatytumėte, laikykitės tvarkos, nurodytos skyriuje „Bendrasis veikimas“.

<[Room sensor settings]> (Patalpos jutiklio nustatymai)

Pasirinkus patalpos jutiklio nustatymus, svarbu pasirinkti tinkamą patalpos jutiklį priklausomai nuo šildymo režimo, kurį naudos sistema.



Laiko / zonos grafiko nustatymo ekranas

Meniu antraštė	Aprašas																				
Patalpos RC zonos pasirinkimas	Kai aktyvus 2 zonos temperatūros valdymas ir pasiekiami belaidžiai nuotolinio valdymo pultai, ekrane „Patalpos RC zonos pasirinkimas“ pasirinkite zonos Nr., kurį priskirsite kiekvienam pagrindiniam pultui.																				
Jutiklio nustatymas	Jutiklio nustatymo ekrane pasirinkite patalpos jutiklį, kuris bus naudojamas patalpos temperatūrai stebėti atskirai iš 1 ir 2 zonos. <table border="1" data-bbox="954 1061 1489 1375"> <thead> <tr> <th rowspan="2">Valdymo parinktis (Svetainės instrukciją)</th> <th colspan="2">Atitinkamų pirminių nustatymų patalpos jutiklis</th> </tr> <tr> <th>1 zona</th> <th>2 zona</th> </tr> </thead> <tbody> <tr> <td>A</td> <td>Patalpos RC 1–8 (po vieną 1 ir 2 zonoms)</td> <td>*1</td> </tr> <tr> <td>B</td> <td>TH1</td> <td>*1</td> </tr> <tr> <td>C</td> <td>Pagrindinis nuotolinio valdymo pultas</td> <td>*1</td> </tr> <tr> <td>D</td> <td>*1</td> <td>*1</td> </tr> <tr> <td>Kai skirtingi patalpos jutikliai naudojami pagal laiko grafiką</td> <td>Laikas / zona*2</td> <td>*1</td> </tr> </tbody> </table>	Valdymo parinktis (Svetainės instrukciją)	Atitinkamų pirminių nustatymų patalpos jutiklis		1 zona	2 zona	A	Patalpos RC 1–8 (po vieną 1 ir 2 zonoms)	*1	B	TH1	*1	C	Pagrindinis nuotolinio valdymo pultas	*1	D	*1	*1	Kai skirtingi patalpos jutikliai naudojami pagal laiko grafiką	Laikas / zona*2	*1
Valdymo parinktis (Svetainės instrukciją)	Atitinkamų pirminių nustatymų patalpos jutiklis																				
	1 zona	2 zona																			
A	Patalpos RC 1–8 (po vieną 1 ir 2 zonoms)	*1																			
B	TH1	*1																			
C	Pagrindinis nuotolinio valdymo pultas	*1																			
D	*1	*1																			
Kai skirtingi patalpos jutikliai naudojami pagal laiko grafiką	Laikas / zona*2	*1																			
	*1. Nenurodyta (jei naudojamas vietoje teikiamas patalpos termostatas) Patalpos RC 1–8 (po vieną 1 ir 2 zonoms) (jei belaidis nuotolinio valdymo pultas naudojamas kaip patalpos termostatas)																				
	*2. Jutiklio nustatymų ekrane pasirinkite „Time/Zone“ (Laikas / zona), kad galėtumėte naudoti skirtingus patalpos jutiklius pagal laiko grafiką, nustatytą meniu „Select Time/ Zone“ (Pasirinkti laiką / zoną). Patalpos jutikliai gali būti įjungti daug. 4 kartus per 24 val.																				

Meniu [Service] (Priežiūra)

Priežiūros meniu pateiktos funkcijos, kurias naudoja montuotojas arba priežiūros inžinierius. Jis NĖRA skirtas namų savininkui nustatymams keisti. Dėl to reikalinga apsauga slaptažodžiu – tokiu būdu neįgaloti asmenys negali pasiekti priežiūros nustatymų.

Gamyklinis numatytasis nustatymas yra „0000“.

Kad nustatytumėte, laikykitės tvarkos, nurodytos skyriuje „Bendrasis veikimas“.

Daugelio funkcijų negalima nustatyti, kol veikia įtaisas. Prieš bandydami nustatyti šias funkcijas, montuotojas turi išjungti įtaisą. Jei montuotojas bandys pakeisti nustatymus, kol veikia įtaisas, pagrindiniame nuotolinio valdymo pulte bus rodomas priminimas, raginantis montuotoją sustabdyti operaciją. Pasirinkus „Yes“ (Taip), įtaisas nutrauks operaciją.

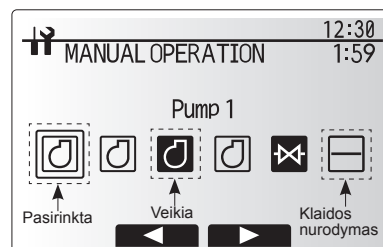
<[Manual operation]> (Rankinis valdymas)

Pildant sistemą, pagrindinio kontūro cirkuliacinį siurblių ir trikampį vožtuvą galima reguliuoti rankiniu būdu naudojant rankinio valdymo režimą.

Pasirinkus rankinį valdymą, ekrane pasirodys maža laikmačio piktograma. Suaktyvinus šią funkciją bus valdoma rankiniu būdu daugiausiai 2 valandas. Ji skirta apsaugoti nuo netyčinio pastovaus STV reguliavimo.

► Pavyzdys

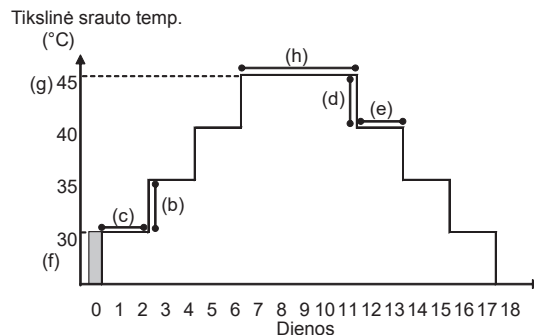
Paspaudus mygtuką F3, bus įjungtas trikampio vožtuvo rankinio valdymo režimas. Užpildžius BKV talpą, montuotojas turėtų vėl pasiekti šį meniu ir paspausti F3, kad išjungtu dalies rankinį valdymą. Nepadarius to, praėjus 2 valandoms rankinio valdymo režimas nebebus aktyvus ir STV galės tęsti cilindro įtaiso valdymą.



Rankinio valdymo meniu ekranas

5 Sistemos nustatymas

Rankinio valdymo ir šilumos šaltinio nustatymo negalima pasirinkti, jei sistema veikia. Bus rodomas ekranas, kuriame prašoma montuotojo sustabdyti sistemą prieš aktyvuojant šiuos režimus.
Sistema automatiškai sustoja praėjus 2 val. po paskutinės operacijos.



- Ši funkcija nepasiekama, kai prijungtas PUAH-FRP lauko įtaisas.
- Atjunkite laidus, prijungtus prie išorinių patalpos termostato, apkrovos valdymo ir lauko termostato įvadų, kitaip nebus išlaikyta tikslinė srauto temperatūra.

<[Floor dry up function]> (Grindų išdžiovinimo funkcija)

Grindų išdžiovinimo funkcija automatiškai keičia tikslinę karšto vandens temperatūrą etapais, kad palaipsniui išdžiovintų betoną, kai sumontuota būtų šis grindų šildymo sistemos tipas.

Užbaigus operaciją, sistema sustabdo visas operacijas, išskyrus aps. nuo užšalimo operaciją.

Pasirinkus grindų išdžiovinimo funkciją, 1 zonos tikslinė srauto temp. yra tokia pati kaip 2 zonos.

Funkcijos	Simbolis	Aprašas	Parinkti / diapazonas	Vienetas	Numat. vertė	
Grindų išdžiovinimo funkcija	a	Įjunkite funkciją ir sistemą pagrindiniu nuotolinio valdymo pultu – prasidės išdžiovinimo šildymo operacija.	Įj. / išj.	—	Išj.	
Srauto temp. (didinimas)	Srauto temp. didinimo pakopa	b	Nustatoma tikslinės srauto temperatūros didinimo pakopa.	+1–+10	°C	+5
	Didinimo intervalas	c	Nustatomas laikotarpis, kuriuo išlaikoma tokia pati tikslinė srauto temperatūra.	1–7	d.	2
Srauto temp. (mažinimas)	Srauto temp. mažinimo pakopa	d	Nustatoma tikslinės srauto temperatūros mažinimo pakopa.	-1 – -10	°C	-5
	Mažinimo intervalas	e	Nustatomas laikotarpis, kuriuo išlaikoma tokia pati tikslinė srauto temperatūra.	1–7	d.	2
Tikslinė temperatūra	Pradėti ir baigti	f	Operacijos pradžioje ir pabaigoje nustatoma tikslinė srauto temperatūra.	20–60	°C	30
	Didž. tikslinė temp.	g	Nustatoma didž. tikslinė srauto temperatūra.	20–60	°C	45
	Didž. temp. laikotarpis	h	Nustatomas laikotarpis, kuriuo išlaikoma didžiausia tikslinė srauto temperatūra.	1–20	d.	5

<[Password protection]> (Apsaugota slaptažodžiu)

Apsauga slaptažodžiu skirta, kad neišmokytai asmenys negalėtų pasiekti priežiūros meniu.

Slaptažodžio nustatymas iš naujo

Jei užmiršote įvestą slaptažodį arba turite atlikti įtaiso, kurį sumontavo kitas asmuo, priežiūrą, galite atkurti gamyklinį slaptažodžio nustatymą – 0000.

1. Pagrindiniame nustatymų meniu slinkite funkcijomis, kol bus paryškintas priežiūros meniu.
2. Paspauskite [CONFIRM] (Patvirtinti).
3. Būsime paraginti įvesti slaptažodį.
4. Nuspauskite mygtukus F3 ir F4 ir laikykite 3 sek.
5. Būsime paklausti, ar norite tęsti ir atkurti numatytąjį slaptažodį.
6. Norėdami atkurti, spustelėkite mygtuką F3.
7. Slaptažodis dabar atkurtas į 0000.

<[Manual reset]> (Rankinė grįžtis)

Jei norite atkurti gamyklinius nustatymus, bet kada galite naudoti rankinės grįžties funkciją. Įsidėmėkite, kad bus atkurti VISŲ funkcijų gamykliniai nustatymai.



Slaptažodžio įvesties ekranas



Slaptažodžio patvirtinimo ekranas

6 Perdavimas eksploatuoti

■ Užduotys prieš eksploatavimą – geriamojo vandens / BKV kontūras

Pradinė pildymo procedūra:

Užtikrinkite, kad visi vamzdžių sujungimai ir armatūros detalės yra tvirtai ir saugiai pritvirtinti.

Atsukite tolimiausią BKV čiaupą (išleidimo angą).

Lėtai (palaipsniui) atidarykite vandens tiekimą, kad pradėtumėte įtaiso ir BKV vamzdžio pildymą.

Leiskite vandeniui iš toliausio čiaupo tekėti laisvai ir išleiskite (išvalykite) likusį orą iš sistemos.

Užsukite čiaupą (išleidimo angą), kad sistema liktų visiškai užpildyta.

Pastaba: sumontavę panardinamą šildytuvą, NEPALEISKITE šildytuvo, kol BKV talpa nėra pripildyta vandens. Taip pat NEPALEISKITE jokio panardinamo šildytuvo, jei BKV bake yra sterilizavimui naudojamų cheminių medžiagų, kadangi dėl to galimas pirmalaikis šildytuvo gedimas.

Pradinė plovimo procedūra:

Paleiskite sistemą, kad pašildytumėte cilindro įtaiso turinį iki maždaug 30–40°C.

Praplaukite sistemą (išleiskite vandenį), kad pašalintumėte visus likučius arba nešvarumus, atsiradusius montavimo darbų metu. Naudokite cilindro įtaiso išleidžiamąjį čiaupą, kad išleistumėte pašilusį vandenį per atitinkamą žarną.

Baigę užsukite išleidžiamąjį čiaupą, iš naujo pripildykite sistemą ir toliau ją eksploatuokite.

7 Aptarnavimas ir techninė priežiūra

■ Klaidų kodai

Kodas	Klaida	Veiksmas
L3	Apsauga nuo per didelės cirkuliacinio vandens temperatūros	Galima sumažinti tekėjimo greitį. Patikrinkite: <ul style="list-style-type: none"> • Ar nėra vandens nuotėkio; • Ar neužsikimšęs tinklinis filtras; • Ar tinkamai veikia cirkuliacinis vandens siurblys (klaidos kodas gali būti rodomas pildant pagrindinį kontūrą, užbaikite pildymą ir atkurkite klaidos kodą).
L4	Apsauga nuo per didelės BKV talpos vandens temperatūros	Patikrinkite panardinamą šildytuvą ir jo kontaktorių.
L5	Vidaus įtaiso temperatūros termistoriaus (THW1, THW2, THW5A, THW5B, THW6, THW7, THW8, THW9) gedimas	Patikrinkite termistoriaus varžą.
L6	Apsauga nuo cirkuliacinio vandens užšalimo	Žr. L3 veiksmą.
L8	Šildymo operacijos klaida	Patikrinkite ir vėl prijunkite bet kokius termistorius, kurie galėjo išsijudinti.
L9	Mažas pagrindinio kontūro srautas, kurį aptiko srauto jutiklis arba jungiklis (1, 2, 3 srauto jungikliai)	Žr. L3 veiksmą. Jei srauto jutiklis arba jungiklis neveikia, pakeiskite jį. Atsargiai: siurblio vožtuvai gali būti įkaitę, būkite atsargūs.
LA	Slėgio jutiklio gedimas	Patikrinkite, ar nepažeistas slėgio jutiklio kabelis ir ar nėra atsilaisvinsiu jungčių.
LB	Apsauga nuo aukšto slėgio	<ul style="list-style-type: none"> • Galima sumažinti šildymo kontūro srautą. Patikrinkite vandens kontūrą. • Plokštelinis šilumokaitis gali būti užsikimšęs. Patikrinkite plokštelinį šilumokaitį. • Lauko įtaiso gedimas. Žr. lauko įtaiso priežiūros instrukciją.
LC	Apsauga nuo per didelės katilo cirkuliacinio vandens temperatūros	Patikrinkite, ar šildymui naudojamo katilo temperatūros nustatymas neviršija apribojimo. (Žr. termistorių „PAC-TH012HT-E“ instrukciją.) Galima sumažinti šildymo kontūro (iš katilo) srautą. Patikrinkite: <ul style="list-style-type: none"> • Ar nėra vandens nuotėkio; • Ar neužsikimšęs tinklinis filtras; • Ar tinkamai veikia cirkuliacinis vandens siurblys.
LD	Katilo temperatūros termistoriaus (THWB1) gedimas	Patikrinkite termistoriaus varžą.
LE	Katilo operacijos klaida	Žr. L8 veiksmą. Patikrinkite katilo būseną.
LF	Srauto jutiklio gedimas	Patikrinkite, ar nepažeistas srauto jutiklio kabelis ir ar nėra atsilaisvinsiu jungčių.
LH	Apsauga nuo katilo cirkuliacinio vandens užšalimo	Galima sumažinti šildymo kontūro (iš katilo) srautą. Patikrinkite: <ul style="list-style-type: none"> • Ar nėra vandens nuotėkio; • Ar neužsikimšęs tinklinis filtras; • Ar tinkamai veikia cirkuliacinis vandens siurblys.
LJ	BKV operacijos klaida (išorinės plokštės HEX tipas)	<ul style="list-style-type: none"> • Patikrinkite, ar neatsijungęs BKV talpos žemesnės vandens temp. termistorius (THW5B). • Galima sumažinti sanitarinio kontūro srautą. • Patikrinkite, ar tinkamai veikia cirkuliacinis vandens siurblys (pagrindinis / sanitarinis kontūras).
LL	DIP jungiklių STV valdymo plokštėje nustatymo klaidos	Dėl katilo veikimo patikrinkite, ar DIP SW1-1 nustatytas ties ON (Ij.) (su katilu), DIP SW2-6 nustatytas ties ON (Ij.) (su maišymo baku). Dėl 2 zonos temperatūros valdymo patikrinkite, ar DIP SW2-7 nustatytas ties ON (Ij.) (2 zona), DIP SW2-6 nustatytas ties ON (Ij.) (su maišymo baku).
LP	Lauko šilumos siurblio įtaisas yra už vandens srauto diapazono ribų	Patikrinkite 4.3.1 montavimo lentelę. Patikrinkite nuotolinio valdymo pulto nustatymus (priežiūros meniu / šilumos siurblio srauto diapazonas). Žr. L3 veiksmą.
P1	Termistoriaus (patalpos temp.) (TH1) gedimas	Patikrinkite termistoriaus varžą.
P2	Termistoriaus (nuor. skysčio temp.) (TH2) gedimas	Patikrinkite termistoriaus varžą.
P6	Plokštelinio šilumokaičio apsauga nuo užšalimo	Žr. L3 veiksmą. Patikrinkite, ar yra tinkamas aušinimo skysčio kiekis.
J0	STV ir belaidžio imtuvo ryšio klaida	Patikrinkite, ar nepažeistas jungiamasis kabelis ir ar nėra atsilaisvinsiu jungčių.
J1–J8	Belaidžio imtuvo ir belaidžio nuotolinio valdymo pulto ryšio klaida	Patikrinkite, ar nėra išsekusi belaidžio nuotolinio valdiklio baterija. Patikrinkite belaidžio imtuvo ir belaidžio nuotolinio valdymo pulto suporavimą. Patikrinkite belaidį ryšį. (Žr. belaidės sistemos instrukciją)
E0–E5	Pagrindinio nuotolinio valdymo pulto ir STV ryšio klaida	Patikrinkite, ar nepažeistas jungiamasis kabelis ir ar nėra atsilaisvinsiu jungčių.
E6–EF	STV ir lauko įtaiso ryšio klaida	Patikrinkite, ar lauko įtaisas nėra išjungtas. Patikrinkite, ar nepažeistas jungiamasis kabelis ir ar nėra atsilaisvinsiu jungčių. Žr. lauko įtaiso priežiūros instrukciją.
E9	Lauko įtaisas negauna jokio signalo iš lauko įtaiso.	Patikrinkite, ar įjungti abu įtaisai. Patikrinkite, ar nepažeistas jungiamasis kabelis ir ar nėra atsilaisvinsiu jungčių. Žr. lauko įtaiso priežiūros instrukciją.
EE	STV ir lauko įtaiso suderinimo klaida	Patikrinkite STV ir lauko įtaiso suderinimą.
U*, F*	Lauko įtaiso gedimas	Žr. lauko įtaiso priežiūros instrukciją.
A*	M-NET ryšio klaida	Žr. lauko įtaiso priežiūros instrukciją.

Pastaba: norėdami atšaukti klaidos kodus, išjunkite sistemą (paspauskite mygtuką F4 (ATKURTI) pagrindiniame nuotolinio valdymo pulte).

7 Aptarnavimas ir techninė priežiūra

■ Kasmėtinė techninė priežiūra

Būtina, kad bent kartą per metus kvalifikuotas asmuo atliktų techninę cilindro įtaiso priežiūrą. Bet kokias reikalingas dalis reikia įsigyti iš „Mitsubishi Electric“. VISADA paisykite saugos įtaisų ir naudokite įtaisą tik su jais. Norėdami daugiau informacijos, žr. priežiūros instrukciją.

Pastaba

- Per pirmuosius kelis montavimo mėnesius išimkite ir išvalykite cilindro įtaiso tinklinį filtrą bei papildomus filtro elementus, kurie įrengti cilindro įtaiso išorėje. Tai ypač svarbu montuojant senoje arba esamoje vamzdymo sistemoje.
- SMV ir temperatūros bei slėgio mažinimo vožtuvą (Nr. 8, 20 ir 21 3.1 pav.) reikia tikrinti kiekvienais metais pasukant rankenėlę, kad būtų išleista medžiaga ir išvalytas sandariklio lizdas.

Be kasmėtinės priežiūros būtina pakeisti arba apžiūrėti tam tikras dalis praėjus konkrečiam sistemos veikimo laikotarpiui. Išsamių instrukcijų ieškokite toliau pateiktose lentelėse. Dalių keitimą ir apžiūrą visada turi atlikti kompetentingas tinkamai išmokytas ir kvalifikuotas asmuo.

Dalys, kurias reikia reguliariai keisti

Dalys	Keisti kas	Galimi gedimai
Slėgio mažinimo vožtuvas (SMV) Manometras Įleidžiamoji valdymo grupė (IVG)*	6 metus	Vandens nuotėkis

* PASIRENKAMOS DALYS JK

Dalys, kurias reikia reguliariai apžiūrėti

Dalys	Tikrinti kas	Galimi gedimai
Slėgio mažinimo vožtuvas (3 bar) Temperatūros ir slėgio mažinimo vožtuvas	1 metus (pasukant rankenėlę)	SMV gali būti pritvirtintas, o plėtimosi indas gali sprogti
Panardinamas šildytuvas	2 metus	Įžeminimo nuotėkis gali suaktyvinti grandinės pertraukiklį (šildytuvas visada išjungtas)
Cirkuliacinis vandens siurblys (pagrindinis kontūras)	20,000 val. (3 m.)	Cirkuliacinio vandens siurblio gedimas

Dalys, kurių NEGALIMA naudoti pakartotinai atliekant priežiūrą

* O formos žiedas

* Tarpiklis

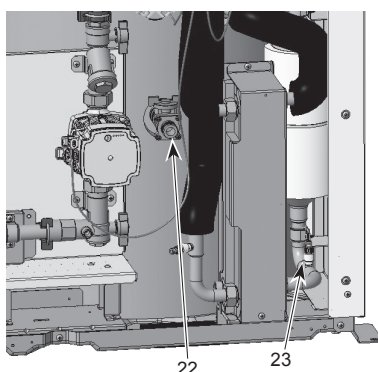
Pastaba:

- visada pakeiskite siurblio tarpiklį nauju atlikdami reguliarią techninę priežiūrą (kas 20,000 naudojimo valandų arba kas 3 metus).

<Cilindro įtaiso ir jo sanitarinės šildymo grandinės išleidimas (viet.)>

ĮSPĖJIMAS: IŠLEIDŽIAMAS VANDUO GALI BŪTI LABAI KARŠTAS

1. Prieš mėgindami išleisti vandenį iš cilindro įtaiso, izoliuokite jį nuo elektros šaltinio, kad apsaugotumėte panardinamą ir pagalbinį šildytuvus nuo perdegimo.
2. Izoliuokite šalto vandens tiekimą į BKV talpą.
3. Atsukite karšto vandens čiaupą, kad jį išleistumėte nesudarydami vakuumo.
4. Prijunkite žarną prie BKV talpos išleidžiamųjų čiaupų (Nr. 22 ir 23 7.1 pav.). Žarna turi būti atspari karščiui, kadangi išleidžiamas vanduo gali būti labai karštas. Žarna turėtų išleisti vandenį į žemesnę vietą nei BKV talpos dugnas siekiant skatinti sifonavimą. Pradėkite išleidimą atsukdami išleidžiamąjį čiaupą.
5. Išleisdę BKV talpą, užsukite išleidžiamąjį čiaupą ir karšto vandens čiaupą.
6. Pagrindinio kontūro atveju prijunkite žarną prie vandens kontūro išleidžiamųjų čiaupų (Nr. 6 3.1 pav.). Žarna turi būti atspari karščiui, kadangi išleidžiamas vanduo gali būti labai karštas. Žarna turėtų išleisti vandenį į žemesnę vietą nei išleidžiamasis čiaupas siekiant skatinti sifonavimą. Atidarykite siurblio vožtuvus ir tinklinio filtro vožtuvus.
7. Vanduo lieka tinkliniame filtre ištuštinus cilindro įtaisą. Išleiskite tinklinį filtrą nuimdami jo dangtį.



<7.1 pav.>

7 Aptarnavimas ir techninė priežiūra

■ Inžinierių formos

Pakeitę numatytuosius nustatymus, įveskite ir užrašykite naują nustatymą stulpelyje „Srities nustatymas“. Tai palengvins atkūrimą ateityje, jei sistema naudos pakeitimą arba mikroschemą reikės pakeisti.

Eksploatavimo / srities nustatymų fiksavimo lapas

Pagrindinio nuotolinio valdymo pulto ekranas		Parametrai	Numatytasis nustatymas	Srities nustatymas	Pastabos
Pagrindinis		1 zonos patalpos šildymo temp.	10 - 30°C	20°C	
		2 zonos patalpos šildymo temp. *12	10 - 30°C	20°C	
		1 zonos šildymo srauto temp.	20 - 60°C	45°C	
		2 zonos šildymo srauto temp. *1	20 - 60°C	35°C	
		1 zonos vėsinimo srauto temp. *13	5 - 25°C	15°C	
		2 zonos vėsinimo srauto temp. *13	5 - 25°C	20°C	
		1 zonos šildymo kompensacinė kreivė	-9 - +9°C	0°C	
		2 zonos šildymo kompensacinė kreivė *1	-9 - +9°C	0°C	
		Atostogų režimas	Aktyvus / neaktyvus / nustatytas laikas	—	
Parinktis		Priverstinė BKV operacija	Jj. / išj.	—	
		BKV	Jj. / išj. / laikmatis	Jj.	
		Šildymas / vėsinimas *13	Jj. / išj. / laikmatis	Jj.	
		Energijos stebėjimas	Suvargota elektros energija / pateikta energija	—	
Nustatymas	BKV	Darbo režimas	Normalus / ECO *15	Normalus	
		Didž. BKV temp.	40 - 60°C *2	50°C	
		BKV temp. kritis	5 - 30°C	10°C	
		Didž. BKV ekspl. trukmė	30 - 120 min.	60 min	
		BKV režimo apribojimas	30 - 120 min.	30 min	
		BKV papildymas	Didelis / standartinis	Standartinis	
	Legionelių prevencija	Aktyvus	Taip / Ne	Taip	
		Karšto vandens temp.	60 - 70°C *2	65°C	
		Dažnis	1 - 30 d.	15 d.	
		Pradžios laikas	00:00 - 23:00	03:00	
		Didž. ekspl. trukmė	1 - 5 val.	3 val.	
		Didž. temp. trukmė	1 - 120 min.	30 min	
	Šildymas / vėsinimas *13	1 zonos darbo režimas	Patalpos šildymo temp. / Šildymo srauto temp. / Šildymo kompensacinė kreivė / vėsinimo srauto temp.	Patalpos temp.	
		2 zonos darbo režimas *1	Patalpos šildymo temp. / Šildymo srauto temp. / Šildymo kompensacinė kreivė / vėsinimo srauto temp.	Kompensacinė kreivė	
	Kompensacinė kreivė	Aukšto srauto temp. nust. vertė	1 zonos lauko aplinkos temp.	-30 - +33°C *3	-15°C
			1 zonos srauto temp.	20-60°C	50°C
			2 zonos lauko aplinkos temp. *1	-30 - +33°C *3	-15°C
			2 zonos srauto temp. *1	20 - 60°C	40°C
		Žemo srauto temp. nust. vertė	1 zonos lauko aplinkos temp.	-28 - +35°C *4	35°C
			1 zonos srauto temp.	20 - 60°C	25°C
			2 zonos lauko aplinkos temp. *1	-28 - +35°C *4	35°C
			2 zonos srauto temp. *1	20 - 60°C	25°C
		Reguluoti	1 zonos lauko aplinkos temp.	-29 - +34°C *5	—
			1 zonos srauto temp.	20 - 60°C	—
			2 zonos lauko aplinkos temp. *1	-29 - +34°C *5	—
		2 zonos srauto temp. *1	20 - 60°C	—	
	Atostogos	BKV	Aktyvus / neaktyvus	Neaktyvus	
		Šildymas / vėsinimas *13	Aktyvus / neaktyvus	Aktyvus	
		1 zonos patalpos šildymo temp.	10 - 30°C	15°C	
		2 zonos patalpos šildymo temp. *12	10 - 30°C	15°C	
		1 zonos šildymo srauto temp.	20 - 60°C	35°C	
		2 zonos šildymo srauto temp. *1	20 - 60°C	25°C	
		1 zonos vėsinimo srauto temp. *13	5 - 25°C	25°C	
		2 zonos vėsinimo srauto temp. *13	5 - 25°C	25°C	
	Pirminiai nustatymai	Kalba	EN/FR/DE/SV/ES/IT/DA/NL/FI/NO/PT/BG/PL/CZ/RU/TR/SL	EN	
		°C/°F	°C/°F	°C	
		Vasaros laikas	Jj. / išj.	Išj.	
		Temp. rodymas	Patalpos / BKV talpa / patalpos ir BKV talpa / išj.	Išj.	
		Laiko rodymas	hh:mm/HH:MM AM/AM hh:mm	hh:mm	
		Patalpos jutiklio nustatymai 1 zonai	TH1 / pagr. RC / patalpos RC1-8 / „Time/Zone“ (Laikas/zona)	TH1	
		Patalpos jutiklio nustatymai 2 zonai *1	TH1 / pagr. RC / patalpos RC1-8 / „Time/Zone“ (Laikas/zona)	TH1	
		Patalpos RC zonos pasirinkimas *1	1 zona / 2 zona	1 zona	
	Priežiūros meniu	Termistoriaus reguliavimas	THW1	-10 - +10°C	0°C
			THW2	-10 - +10°C	0°C
			THW5A	-10 - +10°C	0°C
			THW5B	-10 - +10°C	0°C
			THW6	-10 - +10°C	0°C
			THW7	-10 - +10°C	0°C
			THW8	-10 - +10°C	0°C
			THW9	-10 - +10°C	0°C
			THW10	-10 - +10°C	0°C
			THWB1	-10 - +10°C	0°C
		Papildomi nustatymai	ECO nustatymai siurbliui	Jj. / išj. *6	Jj.
				Delsa (3 - 60 min.)	10 min.
			Elektrinis šildytuvas (šildymas)	Patalpos šildymas: jj. (naudojamas) / išj. (nenaudojamas)	Jj.
				Elektrinio šildytuvo delsos laikmatis (5-180 min.)	30 min
			Elektrinis šildytuvas (BKV)	BKV: jj. (naudojamas) / išj. (nenaudojamas)	Jj.
			Panardinamas šildytuvas	BKV: jj. (naudojamas) / išj. (nenaudojamas)	Jj.
				Elektrinio šildytuvo delsos laikmatis (15-30 min.)	15 min
			Maišymo vožtuvo valdymas	Veikimas (10 - 240 sek.)	120 sek.
				Intervalas (1 - 30 min.)	2 min
			Srauto jutiklis *17	Mažiausias (0 - 100 L/min.)	5 L/min.
				Didžiausias (0 - 100 L/min.)	100 L/min.
			Analoginis išėjimas	Intervalas (1 - 30 min.)	5 min
				Pirmenybė (normali / aukšta)	Normali

(Tęsiama kitame puslapyje.)

7 Aptarnavimas ir techninė priežiūra

■ Inžinierių formos

Ekspluataavimo / srities nustatymų fiksavimo lapas (tęsiamas ankstesnis puslapis)

Pagrindinio nuotolinio valdymo pulto ekranas			Parametrai		Numatytasis nustatymas	Srities nustatymas	Pastabos	
Nustatymas	Priežiūros meniu	Siurblio greitis	BKV	Siurblio greitis (1 - 5)		5		
			Šildymas / vėsinimas	Siurblio greitis (1 - 5)		5		
		Šilumos šaltinio nustatymas		Standartinis / šildytuvas / katilas / hibridas *7		Standartinis		
		Šilumos siurblio nustatymas	Šilumos siurblio srauto diapazonas	Mažiausias (0 - 100 L/min.)		5 L/min.		
				Didžiausias (0 - 100 L/min.)		100 L/min.		
			Tylusis režimas	Diena (pirm. - sekm.)		—		
				Laikas		0:00 - 23:45		
				Tylusis lygis (normalus / 1 lygis / 2 lygis)		Normalus		
		Darbo nustatymai	Šildymo operacija *8	Srauto temp. diapazonas *10	Mažiausia temp. (20 - 45°C)		30°C	
					Didžiausia temp. (35 - 60°C)		50°C	
				Patalpos temp. valdymas *14	Režimas (normalus / greitas)		Normalus	
				Intervalas (10 - 60 min.)		10min		
			Šilumos siurblio termost. skirt. reguliavimas	Ij. / išj. *6		Ij.		
				Apatinė riba (-9 - -1°C)		-5°C		
				Viršutinė riba (+3 - +5°C)		5°C		
			Aps. nuo užšalimo funkcija *11	Lauko aplinkos temp. (3 - 20°C) / **		5°C		
			Vienalaikė operacija (BKV / šildymas)	Ij. / išj. *6		Išj.		
				Lauko aplinkos temp. (-30 - +10°C) *3		-15°C		
			Šalto oro funkcija	Ij. / išj. *6		Išj.		
				Lauko aplinkos temp. (-30 - -10°C) *3		-15°C		
			Katilo veikimas	Hibridiniai nustatymai	Lauko aplinkos temp. (-30 - +10°C) *3		-15°C	
					Pirmenybės režimas (aplinka / išlaidos / CO ₂) *16		Aplinka	
					Lauko aplinkos temp. pakilimas (+1 - +5°C)		+3°C	
			Pažangūs nustatymai	Ener-gijos kaina *9	Elektra (0,001 - 999 */kWh)	0,5 */kWh		
					Katilas (0,001 - 999 */kWh)	0,5 */kWh		
				CO ₂ emisijos	Elektra (0,001 - 999 kg -CO ₂ /kWh)	0,5 kg -CO ₂ /kWh		
					Katilas (0,001 - 999 kg -CO ₂ /kWh)	0,5 kg -CO ₂ /kWh		
				Šilumos šaltinis	Šilumos siurblio galingumas (1 - 40 kW)		11,2 kW	
					Katilo efektyvumas (25 - 150%)		80 %	
			1 pagalbinio šildytuvo galingumas (0 - 30 kW)		2 kW			
				2 pagalbinio šildytuvo galingumas (0 - 30 kW)		4 kW		
		Išmanaus tinklelio parengimas	BKV	Ij. / išj.		Išj.		
				Tikslinė temp. (+1 - +20°C) / -- (neaktyvus)		--		
			Šildymas	Ij. / išj.		Išj.		
				Tikslinė temp.	Ijungimo rekomendacija (20 - 60°C)		50°C	
				Ijungimo komanda (20 - 60°C)		55°C		
			Vėsinimas	Ij. / išj.		Išj.		
				Tikslinė temp.	Ijungimo rekomendacija (5 - 25°C)		15°C	
				Ijungimo komanda (5 - 25°C)		10°C		
		Siurblio ciklai	Šildymas (Ij./Išj.)		Ij.			
Vėsinimas (Ij./Išj.)			Ij.					
Intervalas (10 - 120 min.)			10 min					
Grindų išdžiovinimo funkcija	Ij. / išj. *6		Išj.					
	Tikslinė temp.	Pradžią ir pabaigą (20 - 60°C)		30°C				
		Didž. temp. (20 - 60°C)		45°C				
		Didž. temp. laikotarpis (1 - 20 d.)		5 d.				
	Srauto temp. (didinimas)	Temp. didinimo pakopa (+1 - +10°C)		+5°C				
		Didinimo intervalas (1 - 7 d.)		2 d.				
	Srauto temp. (mažinimas)	Temp. mažinimo pakopa (-1 - -10°C)		-5°C				
Mažinimo intervalas (1 - 7 d.)		2 d.						
Vasaros režimas	Ij. / išj.		Išj.					
	Lauko aplinkos temp.	Šildymas Ij. (4 - 19°C)		10°C				
		Šildymas išj. (5 - 20°C)		15°C				
	Sprendimo laikas	Šildymas Ij. (1 - 48 val.)		6 val.				
		Šildymas išj. (1 - 48 val.)		6 val.				
Priverstinis šildymas Ij. (-30 - 10°C)		5°C						
Vandens srauto valdymas		Ij. / išj.		Išj.				

(Tęsiama kitame puslapyje.)

7 Aptarnavimas ir techninė priežiūra

■ Inžinierių formos

Eksplotavimo / srities nustatymų fiksavimo lapas (tęsimas ankstesnis puslapis)

Pagrindinio nuotolinio valdymo pulto ekranas				Parametrai	Numatytasis nustatymas	Srities nustatymas	Pastabos	
Priežiūros meniu	Energijos stebėjimo nustatymai	Elektrinio šildytuvo galingumas	1 pagalbinio šildytuvo galingumas	0 - 30 kW	2 kW			
			2 pagalbinio šildytuvo galingumas	0 - 30 kW	4 kW			
			Panardinamo šildytuvo galingumas	0 - 30 kW	0 kW			
			Analoginis išėjimas	0 - 30 kW	0 kW			
		Pateiktos energijos reguliavimas			-50 - +50 %	0%		
		Vandens siurblio įvadas	1 siurblys	0 - 200 W arba *** (gamykloje sumontuotas siurblys)	***			
			2 siurblys	0 - 200 W	0 W			
			3 siurblys	0 - 200 W	0 W			
			4 siurblys	0 - 200 W	72 W			
		Elektros energijos skaitiklis			0,1/1/10/100/1000 imp./kWh	1 imp./kWh		
	Šilumomatis			0,1/1/10/100/1000 imp./kWh	1 imp./kWh			
	Išorinio įvado nustatymai	Apkrovos valdymas (IN4)		Šilumos šaltinis išj. / katilo veikimas		Katilo veikimas		
		Lauko termostatas (IN5)		Šildytuvo / katilo veikimas		Katilo veikimas		
	Termost. įj. išvadas			1 zona/2 zona/1 ir 2 zonos		1 ir 2 zonos		

*1 2 zonos nustatymai gali būti įjungti tik tada, kai įjungtas 2 zonos temperatūros valdymas (kai DIP SW2-6 ir SW2-7 jungikliai įjungti).

*2 Modelis be papildomo ir panardinamo šildytuvų gali nepasiekti nustatytos temperatūros priklausomai nuo aplinkos temperatūros.

*3 Apatinė riba yra -15°C priklausomai nuo prijungto lauko įtaiso.

*4 Apatinė riba yra -13°C priklausomai nuo prijungto lauko įtaiso.

*5 Apatinė riba yra -14°C priklausomai nuo prijungto lauko įtaiso.

*6 Įj.: funkcija aktyvi; išj.: funkcija neaktyvi.

*7 Kai DIP SW1-1 išjungtas „WITHOUT Boiler“ (BE katilo) arba SW2-6 išjungtas „WITHOUT Mixing tank“ (BE maišymo bako), negalima pasirinkti nei katilo, nei hibrido.

*8 Galioja tik pasirinkus patalpos temp. valdymo režimą.

*9 „***“ vienetė „*/kWh“ reiškia valiutą (pvz., €, £ arba pan.)

*10 Galioja tik pasirinkus patalpos šildymo temperatūrą.

*11 Pasirinkus žvaigždutę (**), aps. nuo užšalimo funkcija išjungta (t. y. pagrindinis vandens kontūras gali užšalti).

*12 2 zonos nustatymai gali būti įjungti tik tada, kai suaktyvintas 2 zonos temperatūros valdymas arba 2 zonos vožtuvo įj. / išj. valdymas.

*13 Vėsinimo režimo nustatymai pasiekiami tik ER modeliu.

*14 Kai DIP SW5-2 išjungtas, funkcija suaktyvinta.

*15 Kai cilindro įtaisas prijungtas prie PUMY-P lauko įtaiso, režimas nustatomas į „Normalus“.

*16 Kai cilindro įtaisas prijungtas prie PUMY-P lauko įtaiso, režimas nustatomas į „Aplinka“.

*17 Nekeiskite nustatymo, kadangi jis nustatytas pagal prie cilindro įtaiso pritvirtinto srauto jutiklio specifikaciją.

1. Obavijest u vezi sigurnosti.....	2
2. Uvod.....	3
3. Tehnički podaci.....	4
4. Ugradnja.....	10
4.1 Lokacija.....	10
4.2 Kvaliteta vode i priprema sustava.....	11
4.3 Cjevovod za vodu.....	11
4.4 Električni priključak.....	14
5. Podešavanje sustava.....	16
5.1 Funkcije DIP sklopki.....	16
5.2 Spajanje ulaza i izlaza.....	17
5.3 Ožičenje za 2-zonsku regulaciju temperature.....	18
5.4 Rad unutarnje jedinice (za vrijeme radova na ugradnji).....	19
5.5 Priprema za pametnu mrežu.....	19
5.6 Korištenje SD memorijske kartice.....	19
5.7 Glavni daljinski upravljač.....	20
6. Puštanje u pogon.....	26
7. Servisiranje i održavanje.....	27

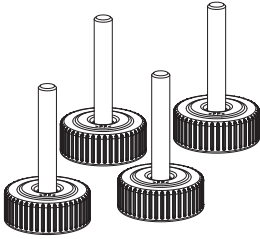
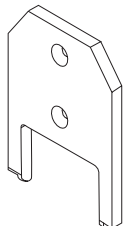
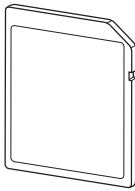
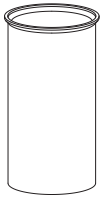


<http://www.mitsubishielectric.com/ldg/ibim/>

Ako želite više informacija koje nisu navedene u ovom priručniku, otvorite gornju web stranicu i preuzmite priručnike, odaberite naziv modela i zatim odaberite jezik.

Sadržaj priručnika na web stranici

- Praćenje energije
- Sastavni dijelovi (detaljno)
- Shema kruga za vodu (170 L)
- Sobni termostat
- Punjenje sustava
- Jednostavan 2-zonski sustav
- Neovisan izvor električnog napajanja
- Priprema za pametnu mrežu
- Mogućnosti daljinskog upravljača
- Servisni izbornik (posebne postavke)
- Dopunski podaci

Pribor (dio isporuke)			
Podeseive nožice	Alat za izbočenje grijača za uranjanje	SD memorijska kartica	Bakreni plašt cijevi za DHW
	Samo model EHPT20X-MHEDW 		
4	1	1	2

Kratice i glosar

Br.	Kratice/Riječ	Opis
1	Način kompenzacijske krivulje	Grijanje prostora koje obuhvaća kompenzaciju vanjske temperature okoline
2	COP	Koeficijent performansi (Coefficient of Performance) za učinkovitost toplinske crpke
3	Jedinica cilindra	Unutarnji neventilirani spremnik tople vode za kućanstvo (DHW) i vodovodni dijelovi komponente
4	Način DHW	Način grijanja tople vode za kućanstvo za tuševе, umivaonike itd.
5	Temperatura protoka	Temperatura pri kojoj se voda isporučuje u primarni krug
6	Funkcija zaštite od zamrzavanja	Rutina kontrole grijanja za sprječavanje zamrzavanja cijevi s vodom
7	FTC	Regulator temperature protoka (Flow temperature controller), tiskana ploča zadužena za upravljanje sustavom
8	Način grijanja	Grijanje prostora preko radijatora ili podnog grijanja
9	Legionela	Bakterije koje se mogu nalaziti u vodovodu, tuševima i spremnicima za vodu a koje mogu prouzročiti bolest legionara
10	Način LP	Način sprječavanja Legionella (Legionella prevention) - funkcija na sustavima sa spremnicima za vodu za sprječavanje rasta bakterije legionele
11	Pakirani model	Pločasti izmjenjivač topline (rashladno sredstvo - voda) u vanjskoj jedinici toplinske crpke
12	PRV	Ventil za regulaciju tlaka (Pressure relief valve)
13	Povratna temperatura	Temperatura pri kojoj se voda isporučuje iz primarnog kruga
14	Razdvojeni model	Pločasti izmjenjivač topline (rashladno sredstvo - voda) u unutarnjoj jedinici
15	TRV	Termostatski ventil radijatora (Thermostatic radiator valve) - ventil na ulazu ili izlazu ploče radijatora za kontrolu toplinske snage
16	Način hlađenja	Hlađenje prostora preko zavojnica ili podnog hlađenja

1 Obavijest u vezi sigurnosti

Pažljivo pročitajte sljedeće mjere opreza u vezi sigurnosti.





UPOZORENJE:
Mjere opreza moraju se poštivati kako ne bi došlo do ozljeda ili smrti.

OPREZ:
Mjere opreza moraju se poštivati kako ne bi došlo do oštećenja jedinice.

Priručnik za ugradnju zajedno s korisničkim priručnikom mora radi budućih potreba nakon ugradnje ostati uz proizvod. Mitsubishi Electric ne snosi odgovornost za kvar dijelova koji se nabavljaju lokalno.

- Svakako obavljajte redovito održavanje.
- Svakako se pridržavajte lokalnih propisa.
- Svakako slijedite upute koje se nalaze u ovom priručniku.

ZNAČENJE SIMBOLA KOJI SE PRIKAŽUJU NA JEDINICI

	UPOZORENJE (Rizik od požara)	Ova oznaka odnosi se samo na rashladno sredstvo R32. Vrsta rashladnog sredstva navedena je na nazivnoj pločici vanjske jedinice. Ako je vrsta rashladnog sredstva R32, tada jedinica koristi zapaljivo rashladno sredstvo. Ako rashladno sredstvo curi i dođe u dodir s vatrom ili dijelom za grijanje, oslobodit će se štetan plin i postojat će opasnost od požara.
		Prije rada pažljivo pročitajte PRIRUČNIK ZA RUKOVANJE.
		Servisno osoblje prije upotrebe treba pažljivo pročitati PRIRUČNIK ZA RUKOVANJE I PRIRUČNIK ZA UGRADNJU.
		Detaljniji podaci dostupni su u PRIRUČNIKU ZA RUKOVANJE, PRIRUČNIKU ZA UGRADNJU i slično.

UPOZORENJE

Mehanika

Korisnik ne smije ugrađivati, demontirati, premještati, preinačivati ili popravljati jedinicu cilindra i vanjske jedinice. Neka to učini ovlašteni monter ili tehničar. Ako je jedinica nepropisno montirana ili preinačena, moglo bi doći do curenja vode, električnog udara ili požara.

Vanjska jedinica mora se čvrsto montirati na tvrdj površini koja može podnijeti njezinu težinu.

Jedinica cilindra se mora postaviti na tvrdj niveliranu površinu koja može podnijeti njegovu težinu u napunjenom stanju kako ne bi došlo do širenja buke ili vibracija.

Nemojte stavljati namještaj ili električne uređaje ispod vanjske jedinice ili jedinice cilindra.

Izlazni cjevovod iz uređaja za hitno isključivanje jedinice cilindra mora se ugraditi u skladu s lokalnim zakonom.

Koristite samo onaj pribor i zamjenske dijelove koje propisuje Mitsubishi Electric i zatražite da ih ugradi ovlašteni tehničar.

Električni sustavi

Radove na električnim instalacijama treba obaviti kvalificirani tehničar u skladu s lokalnim propisima i uputama u ovom priručniku.

Jedinice moraju biti priključene na vlastiti krug električnog napajanja i moraju se upotrebljavati osigurači propisanog radnog napona.

Ožičenje treba provesti u skladu s nacionalnim propisima za električne instalacije. Priključci moraju biti čvrsti i na njima ne smije biti mehaničkog napreznja.

Propisno uzemljite jedinicu.

Općenito

Djecu i kućne životinje držite dalje od jedinice cilindra i vanjske jedinice.

Toplu vodu koju proizvodi toplinska crpka nemojte koristiti za piće ili za kuhanje. Tako možete uzrokovati oboljenje korisnika.

Nemojte stajati na jedinicama.

Sklopke nemojte dirati mokrim rukama.

Godišnje održavanje na jedinici cilindra i vanjskoj jedinici mora provesti kvalificirana osoba.

Nemojte stavljati spremnike s tekućinama na gornji dio jedinice cilindra. Ako tekućina iz njih curi ili se prolijeva, jedinica cilindra može se oštetiti i/ili može doći do požara.

Nemojte stavljati spremnike s tekućinama na jedinicu cilindra.

Prilikom instaliranja, premještanja ili servisiranja jedinice cilindra, za punjenje rashladnih vodova koristite samo propisano rashladno sredstvo za toplinsku crpku.

Nemojte ga miješati s nekim drugim rashladnim sredstvom i ne dopustite da zrak ostane u vodovima. Ako se zrak izmiješa s rashladnim sredstvom, to može prouzročiti neuobičajeno visok tlak u rashladnom vodu i može dovesti do eksplozije i drugih opasnosti.

Upotreba bilo kojeg rashladnog sredstva osim onog navedenog za sustav prouzročit će mehanički kvar ili kvar sustava ili prekid rada uređaja. U najgorem slučaju to bi moglo dovesti do ozbiljnih smetnji u obezbjeđenju sigurnosti proizvoda.

Da biste u načinu grijanja izbjegli oštećivanje emitera topline zbog prevruće vode, postavite željenu temperaturu protoka na najmanje 2°C ispod najviše dopuštene temperature svih emitera topline. Za Zonu2 postavite ciljnu temperaturu protoka na minimalno 5 °C ispod maksimalne dopuštene temperature svih emitera topline u krugu Zone2.

Jedinicu nemojte ugrađivati na mjestima gdje možda cure, stvaraju se, teku ili se nakupljaju zapaljivi plinovi. Nakupljanje zapaljivih plinova oko jedinice može dovesti do eksplozije.

Nemojte koristiti sredstva za ubrzavanje postupka odmrzavanja ili za čišćenje koja nije preporučio proizvođač.

Uređaj se treba uskladištiti u prostoriji u kojoj nema izvora zapaljenja koji trajno rade (primjerice, otvoreni plamen, plinski uređaj u radu ili električna grijalica u radu).

Nemojte bušiti i spaljivati.

Zapamtite da rashladna sredstva mogu biti bez mirisa.

Cjevovod se mora zaštititi od oštećenja.

Ugradnja cjevovoda mora se svesti na minimum.

Potrebno je održavati sukladnost s državnim propisima za plinske instalacije.

Pazite da na otvorima za ventilaciju ne bude smetnji.

U slučaju lemljenja cijevi s rashladnim sredstvom, nemojte koristiti leguru za lemljenje s niskim talištem.

1 Obavijest u vezi sigurnosti

OPREZ

U primarnom krugu koristite čistu vodu koja zadovoljava lokalne standarde kvalitete.

Vanjska jedinica mora se ugraditi u području s dovoljnim protokom zraka u skladu sa shemama u priručniku za ugradnju vanjske jedinice.

Jedinica cilindra se treba nalaziti unutra kako bi se smanjili gubici topline.

Duljina cijevi u primarnom krugu između vanjske i unutarnje jedinice treba radi manjih gubitaka topline biti što manja.

Kondenzat iz vanjske jedinice treba ispustiti s pomoću cijevi da se ne bi stvarale lokve vode.

Iz primarnog kruga i DHW kruga uklonite što više zraka.

Curenje rashladnog sredstva može dovesti do gušenja. Osigurajte ventilaciju u skladu s EN378-1.

Cjevovod obavezno obložite izolacijom. Izravan dodir s nezaštićenim cijevima može izazvati opekline ili smrztotine.

Ni u kojem slučaju ne stavljajte baterije u usta da ih ne biste slučajno progutali.

Gutanje baterije može izazvati gušenje i/ili trovanje.

Jedinicu cilindra nemojte transportirati dok se u DHW spremniku nalazi voda. Tako možete uzrokovati oštećenje jedinice.

Ako napajanje jedinice cilindra treba isključiti (ili je potrebno isključiti sustav) na duže vrijeme, voda se mora ispustiti.

Ako se neće koristiti duže vrijeme, prije nastavka rada DHW spremnik treba se isprati pitkom vodom.

Moraju se provesti preventivne mjere protiv udara tlaka vode poput ugradnje uređaja za ublažavanje tlačnih udara u primarnom krugu s vodom, u skladu s uputama proizvođača.

Kada je riječ o rukovanju rashladnim sredstvom, pogledajte priručnik za ugradnju vanjske jedinice.

2 Uvod

Svrha ovog priručnika za ugradnju je davanje uputa stručnim osobama za siguran i učinkovit način ugradnje i puštanja jedinice cilindra u rad. Priručnik je namijenjen za stručne vodoinstalatore i/ili tehničare za rashladne sustave

koji su uspješno pohađali obveznu obuku za proizvode tvrtke Mitsubishi Electric i koji su primjereno kvalificirani za ugradnju neventilirane jedinice cilindra za toplu vodu u njihovoj zemlji.

3 Tehnički podaci

Tehnički podaci proizvoda

Naziv modela	EHST20C-MED	EHST20C-VM2D	EHST20C-VM6D	EHST20C-VM9D	EHST20C-VM9ED	EHST20C-TM9D	ERST20C-VM2D	EHST30C-MED	EHST30C-VM6D	EHST30C-VM9ED	EHST30C-TM9ED	ERST30C-VM2ED	EHPT17X-VM2D	EHPT17X-VM6D	EHPT17X-VM9D	ERPT17X-VM2D		
Nazivni volumen tople vode u kućanstvu	200 L																	
Ukupne dimenzije jedinice (visina x širina x dubina)	1600 x 595 x 680 mm																	
Težina (prazno)	106 kg	113 kg	114 kg	115 kg	109 kg	115 kg	113 kg	118 kg	120 kg	121 kg	121 kg	120 kg	85 kg	86 kg	87 kg	86 kg		
Težina (pun)	314 kg	320 kg	321 kg	324 kg	319 kg	324 kg	320 kg	426 kg	422 kg	431 kg	431 kg	428 kg	261 kg	262 kg	265 kg	261 kg		
Volumen vode u krugu za grijanje jedinice *1	4.6 L		6.9 L		6.9 L		4.6 L	5.0 L		7.3 L		3.2 L		5.5 L		3.2 L		
Neodržavana ekspanzijska posuda (primarno grijanje)	12 L																	
Nazivni volumen	0,1 MPa																	
Tiak punjenja	1 - 80°C																	
Upravljački termistor	0,3 MPa (3 bara)																	
Ventili za regulaciju tlaka (Pressure relief valve)	Minimalni protok 5,0 L/min (Pogledajte tablicu 4.3.1. o rasponu protoka vode)																	
Senzor protoka	90°C																	
BH termostatski s ručnim resetiranjem	121°C																	
BH toplinsko isključivanje	75°C																	
Upravljački termistor	—																	
IH termostatski s ručnim resetiranjem	—																	
Temperatura/Ventili za regulaciju tlaka (Pressure relief valve)	1,0 MPa (10 bara)																	
Voda	Primarni krug																	
DHW krug	Ø28 mm																	
Rashladno sredstvo (R32/ R410A)	Ø22 mm																	
Plin	9,52 mm																	
Sobna temperatura	15,88 mm																	
Grijanje	10 - 30°C																	
Temperatura protoka	20 - 60°C																	
Hlađenje	—																	
Temperatura protoka	5 - 25°C																	
Okolina	0 - 35°C (≤ 80 % RV)																	
Zajamčeni raspon rada *2	Pogledajte tablicu s podacima vanjske jedinice.																	
Vanjska temperatura	*4			—			*3			*4			*3			*3		
Maksimalna dopuštena temperatura tople vode	70°C			70°C			70°C			70°C			70°C			70°C		
Deklarirani profili opterećenja	L			L			L			XL			L			L		
Prosječna klimatska učinkovitost grijalice vode	A+			A+			A			A			A			A+		
Električno napajanje (broj faza, napon, frekvencija)	~N, 230 V, 50 Hz																	
Ulaz	0,30 kW																	
Struja	1,95 A																	
Osigurač	10 A																	
Električno napajanje (broj faza, napon, frekvencija)	~N, 230 V, 50 Hz		3~ , 400 V, 50 Hz		3~ , 230 V, 50 Hz		~N, 230 V, 50 Hz		3~ , 400 V, 50 Hz		3~ , 230 V, 50 Hz		~N, 230 V, 50 Hz		3~ , 400 V, 50 Hz		~N, 230 V, 50 Hz	
Učin	2 kW		3 kW + 4 kW		3 kW + 6 kW		2 kW		3 kW + 4 kW		3 kW + 6 kW		2 kW		2 kW + 4 kW		3 kW + 6 kW	
Dodatni grijač	9 A		26 A		13 A		9 A		26 A		13 A		9 A		26 A		13 A	
Osigurač	16 A		32 A		16 A		16 A		32 A		16 A		16 A		32 A		16 A	
Električno napajanje (broj faza, napon, frekvencija)	—																	
Grijač za uranjanje *5	—																	
Učin	—																	
Struja	—																	
Osigurač	—																	
Razina zvučne snage (PWL)	40 dB(A)																	

<Tablica 3.2>

*1 Volumen kruga za sanitarnu vodu, primarnog DHW kruga (od 3-smjernog ventila do točke zajedničkog protoka s krugom grijanja), cijevi do ekspanzijske posude i ekspanzijska posuda nisu uključeni u ovoj vrijednosti.
 *2 Okolina mora biti bez smrzavanja.
 *3 Pogledajte tablicu s tehničkim podacima vanjske jedinice (min. 10°C). Način hlađenja nije dostupan za niske vanjske temperature. Ako jedinicu koristite u načinu rada za hlađenje pri niskoj temperaturi okoline (10°C ili niže), postoji opasnost od oštećenja pločastog izmjenjivača topline uslijed smrzavanja vode.
 *4 Za model bez dodatnog grijača i grijača za uranjanje, maksimalna dopuštena temperatura tople vode iznosi [Maksimalni izlaz vode vanjske jedinice - 3°C]. Maksimalnu vrijednost vode na izlazu vanjske jedinice potražite u priručniku vanjske jedinice.
 *5 Nemojte montirati grijače za uranjanje bez termičke zaštite. Upotrebjavajte samo servisne dijelove Mitsubishi Electric za izravnu zamjenu.

3 Tehnički podaci

Tehnički podaci proizvoda

Model	EHP20X-MED	EHP20X-VM6D	EHP20X-YM9D	EHP20X-YM9D	EHP20X-TM9D	EHP20X-MHEDW	ERPT20X-MD	ERPT20X-VM2D	ERPT20X-VM6D	EHP20X-MED	EHP20X-VM9D	ERPT30X-VM2ED
Nazivni volumen tople vode u kućanstvu	300 L											
Ukupne dimenzije jedinice (visina x širina x dubina)	1600 x 595 x 680 mm											
Težina (prazno)	93 kg	101 kg	102 kg	96 kg	102 kg	90 kg	99 kg	100 kg	101 kg	106 kg	109 kg	107 kg
Težina (pun)	300 kg	307 kg	310 kg	305 kg	310 kg	296 kg	305 kg	305 kg	307 kg	413 kg	419 kg	413 kg
Volumen vode u krugu za grijanje jedinice *1	3,7 L											
Neodražena ekspanzijska posuda (primarno grijanje)	12 L											
Upravljački termostor	0,1 MPa											
Primarni krug	1 - 80°C											
Ukupni protok	Minimalni protok 5,0 L/min (Pogledajte tablicu 4.3.1. o rasponu protoka vode)											
BH termostat s ručnim resetiranjem	90°C	121°C	90°C	121°C	90°C	121°C	90°C	121°C	90°C	121°C	90°C	121°C
BH toplinsko isključivanje	75°C											
DHW spremnik	1,0 MPa (10 bara)											
Upravljački termostor	90°C / 0,7 MPa (7 bara)											
Dodatni grijač	1,0 MPa (10 bara)											
DHW spremnik	0,7 MPa (7 bara)											
Priključci	Primarni krug											
	DHW krug											
	Tekućina											
	Plin											
Grijanje	10 - 30°C											
Hlađenje	20 - 60°C											
Radni raspon	5 - 25°C											
Zajamčeni raspon rada *2	0 - 35°C (≤ 80 % RV)											
DHW spremnik radna svojstva	Pogledajte tablicu s podacima vanjske jedinice.											
	*4	70°C	*4	70°C	*3	*4	70°C	*4	70°C	*4	70°C	XL
	A+											
	~N, 230 V, 50 Hz											
	0,30 kW											
	1,95 A											
	10 A											
	~N, 230 V, 50 Hz	3~ 400 V, 50 Hz	3~ 230 V, 50 Hz	3~ 400 V, 50 Hz	3~ 230 V, 50 Hz	3~ 400 V, 50 Hz	3~ 230 V, 50 Hz	3~ 400 V, 50 Hz	3~ 230 V, 50 Hz	3~ 400 V, 50 Hz	3~ 400 V, 50 Hz	~N, 230 V, 50 Hz
	2 kW +4 kW	3 kW +6 kW	3 kW +6 kW	2 kW +4 kW	2 kW +4 kW	2 kW +4 kW	2 kW +4 kW	2 kW +4 kW	2 kW +4 kW	2 kW +4 kW	2 kW +4 kW	2 kW +4 kW
	3	3	3	3	3	3	3	3	3	3	3	1
	26 A	13 A	23 A	16 A	16 A	16 A	16 A	16 A	16 A	16 A	16 A	9 A
	32 A	16 A	32 A	16 A	16 A	16 A	16 A	16 A	16 A	16 A	16 A	16 A
	~N, 230 V, 50 Hz											
	3 kW											
	13 A											
	16 A											
	40 dB(A)											

< Tablica 3.3 >

*1 Volumen kruga za sanitarnu vodu, primarnog DHW kruga (od 3-smjernog ventila do točke zajedničkog protoka s krugom grijanja), cijevi do ekspanzijske posude i ekspanzijska posuda nisu uključeni u ovoj vrijednosti.

*2 Okolina mora biti bez smrzavanja.

*3 Pogledajte tablicu s tehničkim podacima vanjske jedinice (min, 10°C). Način hlađenja nije dostupan za niske vanjske temperature. Ako jedinicu koristite u načinu rada za hlađenje pri niskoj temperaturi okoline (10°C ili niže), postoji opasnost od oštećenja pločastog izmjenjivača topline uslijed smrzavanja vode.

*4 Za model bez dodatnog grijača i grijača za uranjanje, maksimalna dopuštena temperatura tople vode iznosi [Maksimalni izlaz vode vanjske jedinice -3°C]. Maksimalnu vrijednost vode na izlazu vanjske jedinice potražite u priručniku vanjske jedinice.

*5 Nemojte montirati grijače za uranjanje bez termičke zaštite. Upotrebjavajte samo servisne dijelove Mitsubishi Electric za izravnu zamjenu.

3 Tehnički podaci

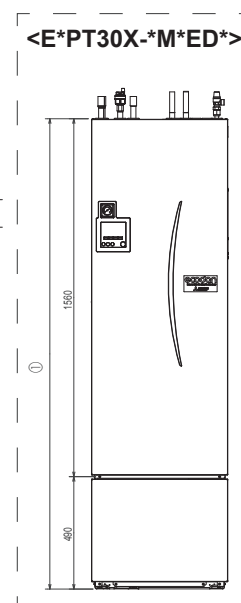
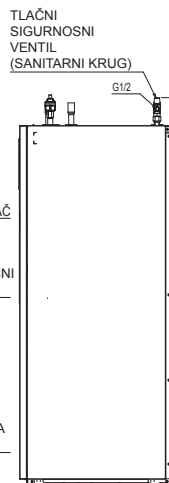
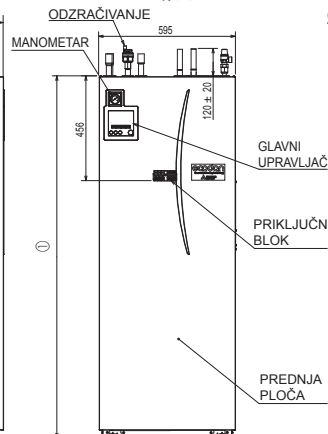
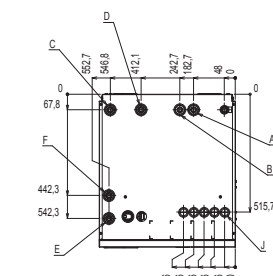
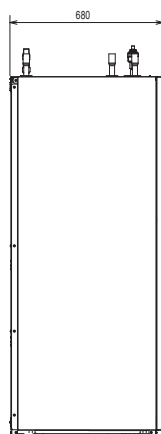
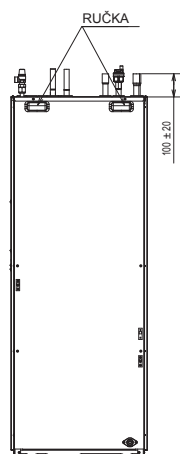
<Mjerna jedinica: mm>

■ Tehnički nacrti

<E**T***-M**D>

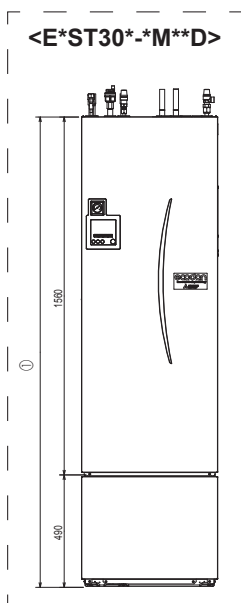
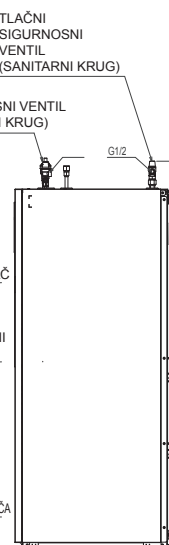
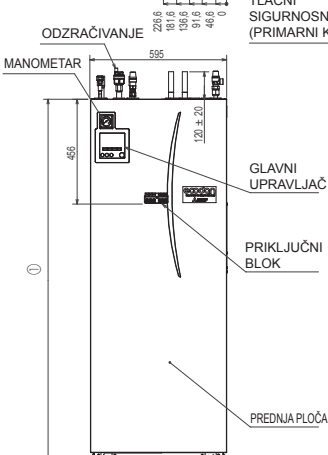
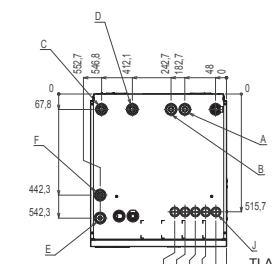
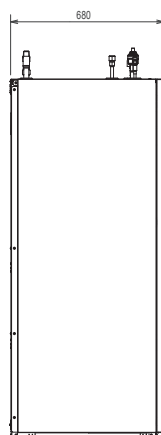
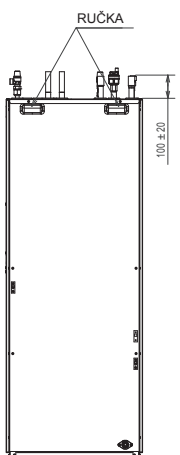
(Sustav s pakiranim modelom)

Volumen DHW spremnika	170L	200L	300L
①	1400	1600	2050



(Sustav s razdvojenim modelom)

Volumen DHW spremnika	170L	200L	300L
①	1400	1600	2050



Slovo	Opis cijevi	Veličina/vrsta priključka
A	DHW izlazni priključak	22 mm/kompresijski
B	Ulazni priključak za hladnu vodu	22 mm/kompresijski
C	POVRATNI priključak za grijanje/hlađenje prostora	28 mm/kompresijski
D	PROTOČNI priključak za grijanje/hlađenje prostora	28 mm/kompresijski
E	Protočni priključak OD toplinske crpke (bez pločastog izmjenjivača topline)	28 mm/kompresijski
F	Povratni priključak NA toplinsku crpku (bez pločastog izmjenjivača topline)	28 mm/kompresijski
G	Rashladno sredstvo (PLIN) (S pločastim izmjenjivačem topline)	12,7 mm/holender (E*ST**D-*) 15,88 mm/holender (E*ST**C-*)
H	Rashladno sredstvo (TEKUĆINA) (S pločastim izmjenjivačem topline)	6,35 mm/holender (E*ST**D-*) 9,52 mm/holender (E*ST**C-*)
J	Ulazi za električne kabele	Ulazi ①, ② i ③ služe za prolaz niskonaponskih vodova uključujući vanjske ulazne vodove i vodove od termistora. Ulazi ④ i ⑤ služe za prolaz visokonaponskih vodova uključujući kabel za napajanje i vanjske izlazne vodove. *Za kabel bežičnog prijemnika (opcija) i kabel sučelja ecodan Wi-Fi (opcija) koristite ulaz ①.

⚠ Upozorenje
 • Priključak cijevi za rashladno sredstvo mora biti lako dostupan radi lakšeg održavanja.
 • Prilikom ponovnog spajanja cijevi za rashladno sredstva nakon njihova odvajanja, ponovno izradite proširenje za holenderski priključak.

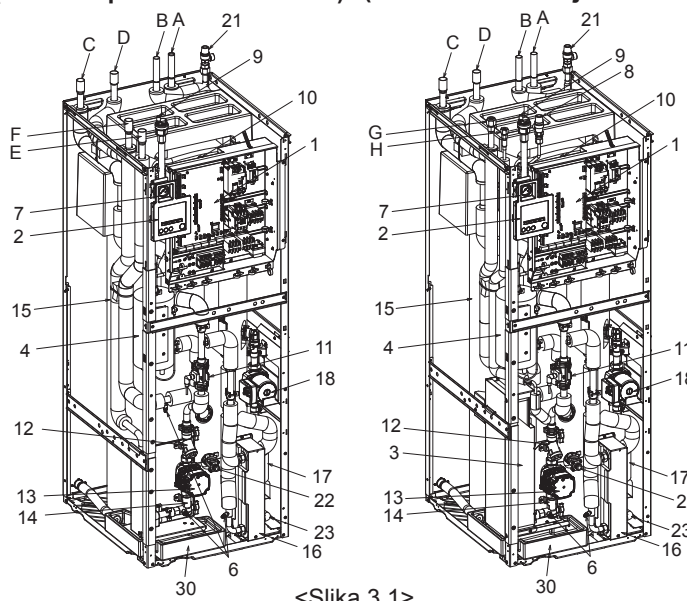
<Tablica 3.4>

3 Tehnički podaci

Sastavni dijelovi

<E**T***-M**D>

(Sustav s pakiranim modelom) (Sustav s razdvojenim modelom)

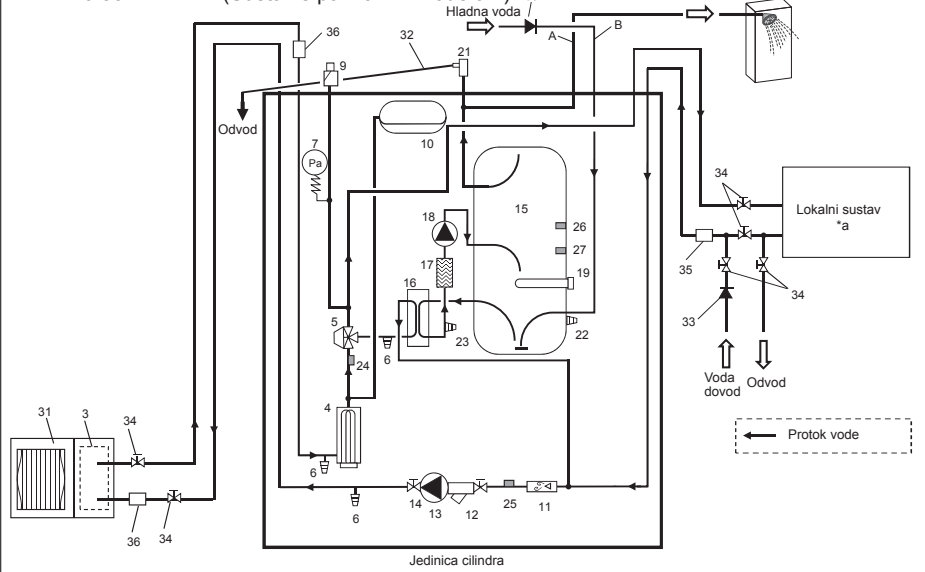


<Slika 3.1>

Bilješka:
Prilikom ugradnje svih modela E**T***-M**ED*, pazite da ugradite ekspanzijsku posudu prikladne veličine na primarnoj strani i dodatni PRV kako ne bi došlo do rasprsnuća ekspanzijske posude na terenu. (pogledajte slike 3.2 ~ 3.3 i 4.3.2 radi više informacija)

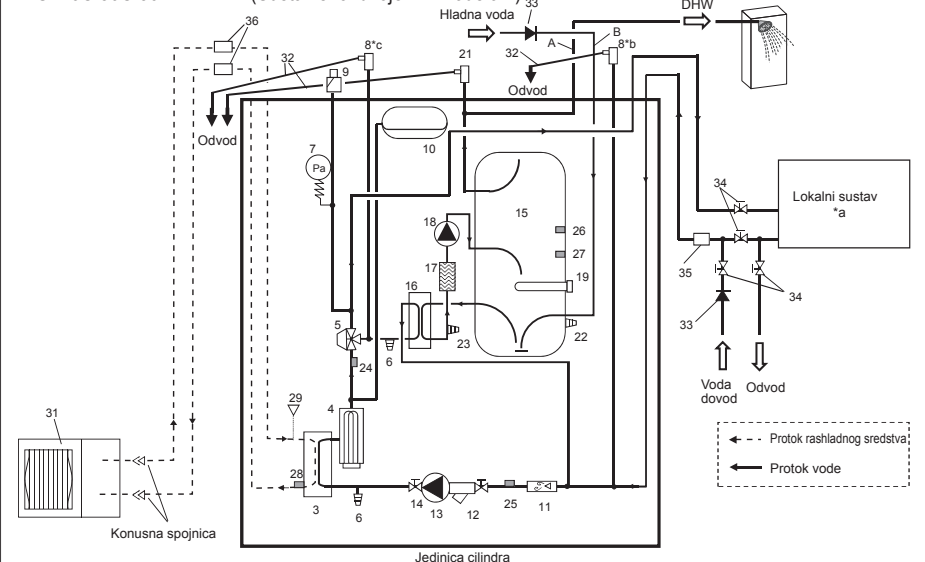
Schema kruga za vodu

<E*PT20/30X-M**D> (Sustav s pakiranim modelom)



<Slika 3.2>

<E*ST20C/30C/30D-M**D> (Sustav s razdvojenim modelom)



<Slika 3.3>

Br.	Naziv dijela
A	DHW izlazna cijev
B	Ulazna cijev za hladnu vodu
C	Cijev za vodu (povratni priključak za grijanje/hlađenje prostora)
D	Cijev za vodu (protočni priključak za grijanje/hlađenje prostora)
E	Cijev za vodu (protok od priključka toplinske crpke)
F	Cijev za vodu (povrat na priključak toplinske crpke)
G	Cijev rashladnog sredstva (plin)
H	Cijev rashladnog sredstva (tekućina)
1	Kutija s upravljanjem i električnim dijelovima
2	Glavni daljinski upravljač
3	Pločasti izmjenjivač topline (rashladno sredstvo - voda)
4	Dodatni grijač 1, 2
5	3-smjerni ventil
6	Slavina za ispuštanje (primarni krug)
7	Manometar
8	Ventil za regulaciju tlaka (3 bara)
9	Automatsko odzračivanje
10	Ekspanzijska posuda (primarni krug)
11	Senzor protoka
12	Ventil sa sitom
13	Crpka za cirkulaciju vode 1 (primarni krug)
14	Ventil crpke
15	DHW spremnik
16	Pločasti izmjenjivač topline (voda - voda)
17	Odvajač kamenca
18	Crpka za cirkulaciju vode (sanitarni krug)
19	Grijač za uranjanje *1
20	Temperatura i sigurnosni tlačni ventil *1
21	Sigurnosni tlačni ventil (10 bara) (DHW spremnik)
22	Slavina za ispuštanje (DHW spremnik)
23	Slavina za ispuštanje (sanitarni krug)
24	Termistor za temperaturu protočne vode (THW1)
25	Termistor za temperaturu povratne vode (THW2)
26	Termistor za gornju temperaturu DHW spremnika (THW5A)
27	Termistor za donju temperaturu DHW spremnika (THW5B)
28	Termistor za temperaturu tekućeg rashladnog sredstva (TH2)
29	Senzor tlaka
30	Posuda za odvod kondenzata
31	Vanjska jedinica
32	Cijev za odvod (nabavlja se lokalno)
33	Uređaj za prevenciju povratnog protoka (nabavlja se lokalno)
34	Odvojni ventil (nabavlja se lokalno)
35	Magnetični filter (nabavlja se lokalno) (preporučuje se)
36	Sito (nabavlja se lokalno)
37	Dodatni PRV (nabavlja se lokalno)
38	Upravljačka grupa ulaza *1
39	Krug za punjenje (kuglasti ventil, protupovratni ventil i fleksibilno crijevo) *1
40	Ekspanzijska posuda pitke vode *1

*1 Isporučuje se SAMO s modelom za UK. Više informacija o priboru potražite u priručniku za ugradnju PAC-WK02UK-E.

<Tablica 3.5>

Otvorite web stranicu Mitsubishi i provjerite krug za vodu drugih jedinica i sastavne dijelove svake jedinice.

*a Pogledajte sljedeći odjeljak [Local system] (Lokalni sustav).

*b Samo E**T20

*c Samo E**T30

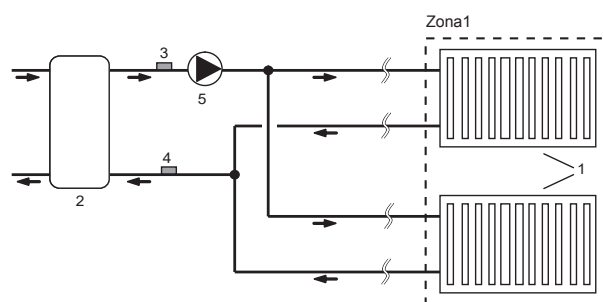
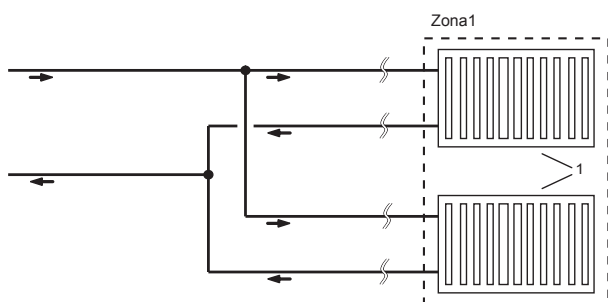
Napomena

- Da bi se omogućilo pražnjenje jedinice cilindra, odvojni ventil treba se postaviti na ulaznom i izlaznom cjevovodu.
- Ne zaboravite ugraditi sito u ulazni cjevovod jedinice cilindra.
- Na sve sigurnosne ventile treba se ugraditi odgovarajući cjevovod sukladno propisima vaše zemlje.
- Uređaj za prevenciju povratnog protoka mora se ugraditi na cjevovod za dovod hladne vode (IEC 61770)
- Kada koristite komponente koje se sastoje od različitih metala ili kada su spojne cijevi izrađene od različitih metala, izolirajte spojeve kako biste spriječili svaku korozivnu reakciju koja može izazvati oštećenje cjevovoda.

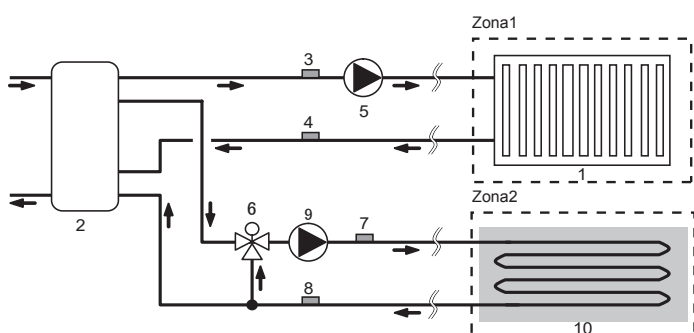
3 Tehnički podaci

■ Lokalni sustav

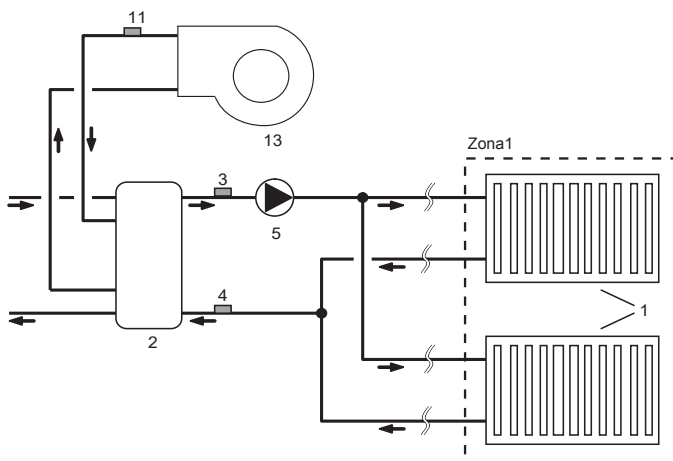
Regulacija temperature za 1 zonu



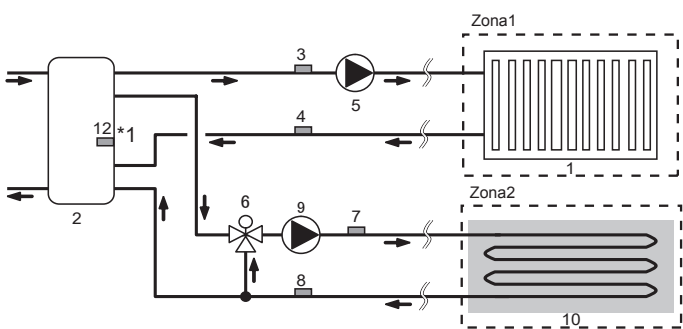
Regulacija temperature za 2 zone



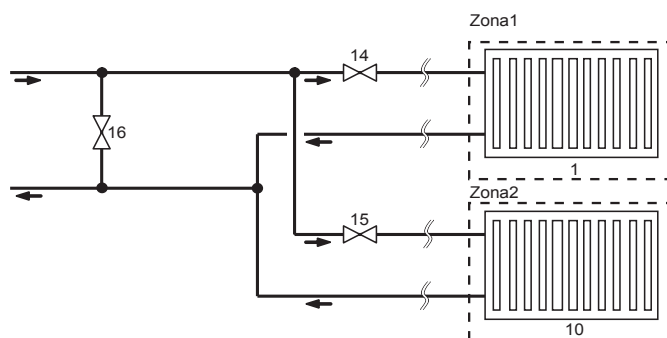
Regulacija temperature s kotlom za 1 zonu



Regulacija temperature u 2 zone i Upravljanje međuspremnikom



Regulacija temperature za 1 zonu (regulacija uključivanjem/isključivanjem ventila za 2 zone)



1. Emiteri topline za Zona1 (npr. radiator, ventilokonvektorska jedinica) (nabavlja se lokalno)
2. Spremnik za miješanje (nabavlja se lokalno)
3. Termistor protočne vode u Zona1 (THW6) } Opcioni dio: PAC-TH011-E
4. Termistor povratne vode u Zona1 (THW7) }
5. Crpka za cirkulaciju vode u Zona1 (nabavlja se lokalno)
6. Motorizirani ventil za miješanje (nabavlja se lokalno)
7. Termistor protočne vode u Zona2 (THW8) } Opcioni dio: PAC-TH011-E
8. Termistor povratne vode u Zona2 (THW9) }
9. Crpka za cirkulaciju vode u Zona2 (nabavlja se lokalno)

10. Emiteri topline za Zona2 (npr. podno grijanje) (nabavlja se lokalno)
11. Termistor protočne vode kotla (THWB1) } Opcioni dio: PAC-TH012HT(L)-E
12. Termistor spremnika za miješanje (THW10) *1 }
13. Kotao (nabavlja se lokalno)
14. 2-smjerni ventil za Zona1 (nabavlja se lokalno)
15. 2-smjerni ventil za Zona2 (nabavlja se lokalno)
16. Zaobilazni ventil (nabavlja se lokalno)

*1 SAMO se Upravljanje međuspremnikom (grijanje/hlađenje) primjenjuje na „Priprema za pametnu mrežu”.

4 Ugradnja

<Pripreme prije ugradnje i servisa>

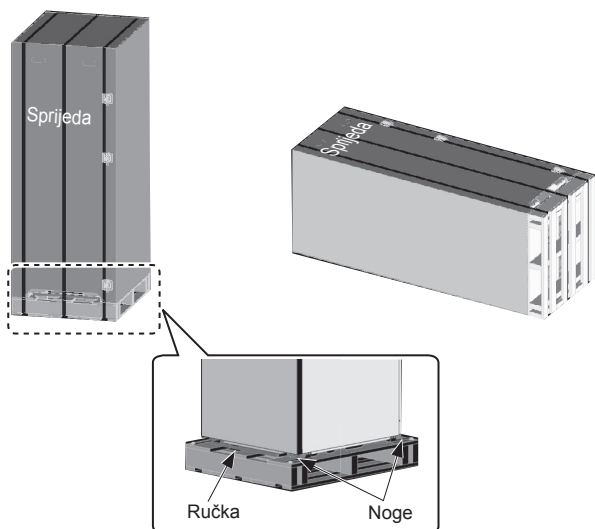
- Pripremite prikladan alat.
- Pripremite prikladnu zaštitu.
- Pustite da se dijelovi prije održavanja ohlade.
- Osigurajte prikladnu ventilaciju.
- Nakon zaustavljanja rada sustava, isključite prekidač električnog napajanja i iskopčajte električni utikač.
- Ispraznite kondenzator prije izvođenja radova na električnim dijelovima.

<Mjere opreza za vrijeme servisa>

- Nemojte obavljati rad na električnim dijelovima ako su vam ruke mokre.
- Ne izlijevajte vodu i druge tekućine po električnim dijelovima.
- Ne dirajte rashladno sredstvo.
- Ne dodirujte vruće i hladne površine u krugu rashladnog sredstva.
- Kada se popravak ili pregled krugova treba obaviti bez isključivanja električnog napajanja, budite jako pažljivi da NE dodirnete dijelove POD NAPONOM.

4.1 Lokacija

■ Transport i rukovanje



<Slika 4.1.1>

Jedinica cilindra isporučuje se na drvenoj paleti s kartonskom zaštitom.

Prilikom transporta jedinice cilindra treba paziti da se kućište ne ošteti uslijed udara. Nemojte uklanjati zaštitnu ambalažu dok jedinica cilindra ne dođe na mjesto ugradnje. Na taj način ćete zaštititi konstrukciju i upravljačku ploču.

- Jedinica cilindra može se transportirati u vertikalnom i u horizontalnom položaju. Ako se transportira u horizontalnom položaju, ploča s oznakom „Front“ (Sprijeda) mora biti okrenuta prema **GORE** <Slika 4.1.1>.
- Jedinicu cilindra UVIJEK moraju prenositi najmanje tri osobe.
- Prilikom prenošenja jedinice cilindra, koristite se ručkama koje su za to predviđene.
- Prije korištenja ručki, provjerite jesu li čvrsto montirane.
- **Uklonite prednju ručku, noge za fiksiranje, drveno postolje i druge dijelove ambalaže kada se jedinica nalazi na mjestu za ugradnju.**
- **Sačuvajte ručke za budući transport.**

■ Prikladno mjesto

Jedinicu cilindra se do vremena ugradnje treba uskladištiti na mjestu gdje nema opasnosti od smrzavanja. Jedinice se **NE SMIJU** slagati jedna na drugu.

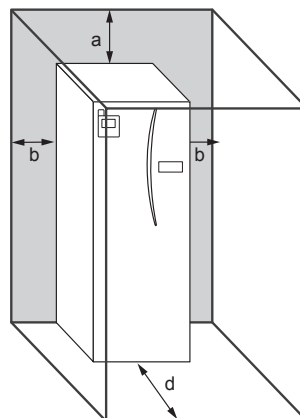
- Jedinica cilindra se treba ugraditi u zatvorenom prostoru na mjestu gdje nema opasnosti od smrzavanja.
- Jedinicu cilindra ugradite na mjestu gdje neće biti izložen vodi/prekomjernoj vlazi.
- Jedinica cilindra treba se postaviti na ravnu površinu koja može podnijeti njezinu težinu u **NAPUNJENOM** stanju. (Prilagodljive noge (dijelovi pribora) mogu se koristiti za niveliranje jedinice)
- Kada koristite prilagodljive noge, pazite da pod bude dovoljno ravan.
- Pazite da oko jedinice i ispred nje ostavite dovoljno mjesta za servis kao na <Slici 4.1.2>.
- Učvrstite jedinicu cilindra kako ne bi došlo do njezinog prevrtanja.

■ Sheme za servisni pristup

Pristup za servis	
Parametar	Dimenzije (mm)
a	300*
b	150
c (razmak iza jedinice nije vidljiv na slici 4.1.2)	10
d	500

<Tablica 4.1.1>

Za izlazni cjevovod MORA se ostaviti dovoljno mjesta kao što je prikazano u nacionalnim i lokalnim propisima o gradnji.



<Slika 4.1.2>

Pristup za servis

* Potreban je dodatni prostor od 300 mm (ukupno 600 mm) pri ugradnji opcionog kompleta za 2 zone (PAC-TZ02-E) na gornji dio jedinice cilindra.

Jedinica cilindra mora se nalaziti unutra i u okolini u kojoj nema opasnosti od smrzavanja, primjerice u pomoćnoj prostoriji kao bi se smanjili gubici topline iz pohranjene vode.

■ Premještanje

Ako jedinicu cilindra trebate premjestiti na drugo mjesto, DO KRAJA ISPRAZNITE jedinicu cilindra prije premještanja da ne dođe do oštećenja jedinice.

4.2 Kvaliteta vode i priprema sustava

Općenito

- Voda u primarnom i u sanitarnom krugu mora biti čista s pH vrijednost joj treba biti u rasponu od 6,5-8,0
- Ovo su maksimalne vrijednosti:
 - Kalcij: 100 mg/L, Ca tvrdoća: 250 mg/L
 - Klorid: 100 mg/L, Bakar: 0,3 mg/L
- Ostali sastojci moraju biti u skladu sa standardima Europske direktive 98/83 EZ.
- U područjima s poznatom tvrdoćom vode, za prevenciju/smanjenje stvaranja kamenca dobro je ograničiti temperaturu vode koja se redovito pohranjuje (DHW maks. temp.) na 55°C.

Antifriz

Otopine antifrizu trebaju se sastojati od propilenskog glikola s ocjenom toksičnosti u razredu 1 kao što je navedeno kliničkoj toksičnosti komercijalnih proizvoda, 5. izdanje.

Bilješka:

- Etilenski glikol je otrovan i NE SMIJE se koristiti u primarnom krugu za vodu u slučaju unakrsne kontaminacije pitke vode.
- Za regulaciju uključivanjem/isključivanjem u dvije zone mora se koristiti propilenski glikol.

Novo postrojenje (primarni krug za vodu)

- Prije spajanja vanjske jedinice, dobro isperite otpad od izrade iz cjevovoda, ostatke o lemljenja itd. s pomoću kemijskog sredstva za čišćenje.
- Isperite sustav kako biste uklonili kemijsko sredstvo za čišćenje.
- Za sve pakirane modele dodajte kombiniranu otopinu inhibitora i antifrizu kako ne bi došlo do oštećenja cjevovoda i komponenti u sustavu.
- Za razdvojene modele odgovorni monter mora odlučiti je li potrebna otopina antifrizu za sve uvjete na terenu. Međutim, inhibitor korozije treba se UVIJEK koristiti.

Postojeće postrojenje (primarni krug za vodu)

- Prije priključivanja vanjske jedinice, postojeći krug grijanja MORA se kemijski očistiti radi uklanjanja postojećeg otpada iz kruga za grijanje.
- Isperite sustav kako biste uklonili kemijsko sredstvo za čišćenje.
- Za sve pakirane modele i razdvojene modele sustava ili za PUMY sustav bez dodatnog grijača, dodajte kombiniranu otopinu inhibitora i antifrizu kako ne bi došlo do oštećenja cjevovoda i komponenti u sustavu.
- Za razdvojene modele odgovorni monter mora odlučiti je li potrebna otopina antifrizu za sve uvjete na terenu. Međutim, inhibitor korozije treba se UVIJEK koristiti.

Kada koristite kemijska sredstva za čišćenje i inhibitore, slijedite upute proizvođača i pazite da proizvod bude prikladan za materijale koji se koriste u krugu za vodu

Minimalna količina vode koja je potrebna za krug grijanja prostora/krug hlađenja

Vanjska jedinica s toplinskom crpkom	Prosječna/toplija podneblja**		Hladnija podneblja**	
	Unutarnja jedinica koja sadržava količinu vode [L]	*Dodatno potrebna količina vode [L]	Unutarnja jedinica koja sadržava količinu vode [L]	*Dodatno potrebna količina vode [L]
Pakirani model	PUZ-WM50	2	5	24
	PUZ-WM60	4		29
	PUZ-WM85	7		32
	PUZ-WM112	11		43
	PUZ-HWM140	15		55
Razdvojeni model	SUZ-SWM40	1	5	12
	SUZ-SWM60	2		21
	SUZ-SWM80	4		29
	PUD-S(H)WM60	4		21
	PUD-S(H)WM80	6		29
	PUD-S(H)WM100	9		38
	PUD-S(H)WM120	12		47
	PUD-SHW140	15		55
	PUHZ-FRP71	6		27
	PUHZ-SW75	6		27
	PUHZ-SW100	9		38
	PUHZ-SW120	12		47
	PUHZ-SHW80	6		29
	PUHZ-SHW112	11		43
	PUHZ-SHW140	15		55
	PUMY-P112	22		75
	PUMY-P125	22		75
	PUMY-P140	22		75

<Tablica 4.2.1>

* Ako postoji zaobilazni krug, gornja tablica označava minimalnu količinu vode kada postoji zaobilazni krug.

** Pogledajte 2009/125/EZ: Direktiva o proizvodima u vezi energije i propis (EU) br. 813/2013 za potvrdu klimatske zone.

Slučaj 1. Nema podjele između primarnog i sekundarnog kruga

- Osigurajte potrebnu količinu vode u skladu s tablicom 4.2.1 za cijev s vodom i radiator s podnim grijanjem.

Slučaj 2. Razdvojite primarni od sekundarnog kruga

- Ako rad blokade primarne i sekundarne crpke nije dostupan, osigurajte obveznu dodatnu količinu vode samo u primarnom krugu u skladu s tablicom 4.2.1.
- Ako je rad blokade primarne i sekundarne crpke dostupan, osigurajte ukupnu količinu vode u primarnom i sekundarnom krugu u skladu s tablicom 4.2.1. Ako obvezna količina vode nije dovoljna, ugradite dodatni spremnik.

4.3 Cjevovod za vodu

Cjevovod za vruću vodu

Ova jedinica cilindra NIJE ODZRAČENA. Prilikom ugradnje neodzračenog sustava za toplu vodu, obvezno se držite propisa o gradnji dio G3 (Engleska i Wales), P3 (Škotska) i P5 (Sjeverna Irska). Izvan Ujedinjenog Kraljevstva, držite se propisa u vašoj zemlji koji se odnose na neodzračene sustave s toplom vodom.

Spojite protok za DHW na cijev A (slika 3.1).

Nakon ugradnje jedinice cilindra potrebno je provjeriti ispravnost sljedećih sigurnosnih komponenti:

- Sigurnosni tlačni ventil (primarni krug i spremnik)
- Predtlak ekspanzijske posude (tlak punjenja plinom)

Pažljivo slijedite upute na sljedećim stranicama u vezi sigurnosnog pražnjenja tople vode iz sigurnosnih uređaja.

- Cjevovod će postati vrlo vruć pa ga treba izolirati da ne dođe do opekline.
- Prilikom spajanja cjevovoda, pazite da u cijevi ne dospiju strani predmeti poput otpada i slično.

Cjevovod za hladnu vodu

Hladna voda prema odgovarajućem standardu (pogledajte odjeljak 4.2) treba se u sustav uvesti spajanjem cijevi B (slika 3.1) s pomoću odgovarajućih priključaka.

Prevenција negativnog tlaka

Da bi se spriječio utjecaj negativnog tlaka na DHW spremnik, monter treba ugraditi odgovarajući cjevovod ili koristiti odgovarajuće uređaje.

Rad hidrauličnog filtra (SAMO serija E*PT)

Ugradite hidraulični filtar ili sito (nabavlja se lokalno) na ulazu za vodu („Cijev E” na Sl. 3.1)

Priključci cjevovoda

Priključci za jedinicu cilindra trebaju se izvesti kompresijskim spojevima od 22 mm ili 28 mm.

Prilikom spajanja DHW cijevi s pomoću kompresijskih spojeva, ubacite **bakreni plašt za DHW cijev** (dio pribora) u cijevi i stegnite ih od 0,75 do 1,25 okretaja. Nemojte prejako stezati tlačne priključke jer će to dovesti do izobličenja brtvenog prstena i mogućeg curenja.

Bilješka: prije lemljenja cijevi na terenu, cijevi na cilindru zaštitite mokrim ručnicima koji će predstavljati „toplinski štiti”.

Izolacija cjevovoda

- Svi nezaštićeni dijelovi cjevovoda za vodu trebaju se izolirati da ne dođe do bespotrebnog gubitka topline i kondenzacije. Da ne bi došlo do prodora kondenzata u jedinici cilindra, cjevovod i priključci na gornjem dijelu jedinice cilindra moraju se pažljivo izolirati.
- Cijevi za toplu i hladnu vodu ne smiju se polagati zajedno kad god je to moguće kako bi se izbjegao međusobni prijenos topline.
- Cjevovod između vanjske toplinske crpke i jedinice cilindra mora se izolirati prikladnom izolacijom za cijevi s toplinskom vodljivošću od $\leq 0,04$ W/mK.

4 Ugradnja

■ Cjevovod za odvod (SAMO serija ER)

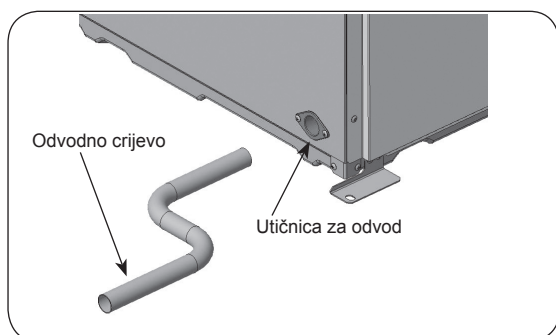
Opcioni dio „Stalak posude za odvod” ne treba se postaviti jer je posuda za odvod ugrađena. Odvod se treba uspostaviti od priključka za odvod na stražnjoj strani jedinice.

Za odvod kondenzata u načinu hlađenja treba se ugraditi cijev za odvod.

- Kako prijava vode ne bi tekla izravno po podu pored jedinice cilindra, spojite odgovarajući cjevovod za odvod iz posude jedinice cilindra.
- Čvrsto ugradite cijev za odvod kako ne bi došlo do curenja na priključku.
- Čvrsto izolirajte cijev za odvod kako biste onemogućili kapanje vode iz cijevi koja se nabavlja lokalno.
- Cijev za odvod ugradite s padom od 1/100 ili većim.
- Ne stavljajte cijev za odvod u kanal u kojemu ima sumpornih plinova.
- Nakon ugradnje, provjerite da cijev za odvod pravilno odvodi kondenzat iz izlaza iz cijevi na prikladno mjesto za ispuštanje.

<Ugradnja>

1. Priključak za odvod (unutarnji promjer 26mm) nalazi se lijevo straga na jedinici cilindra. (Slika 4.3.1)
 2. Pričvrstite cijev za odvod (VP-20) koja odgovara priključku s pomoću ljepljive trake od polivinil klorida.
 3. Postavite cjevovod za odvod gore prema priključku s nagibom većim od 1/100.
- Bilješka: čvrsto fiksirajte cijev za odvod koja je nabavlja lokalno kako ne bi došlo do ispadanja cijevi za odvod iz utičnice za odvod.



<Slika 4.3.1>



■ Dimenzioniranje ekspanzijske posude

Ekspanzijska posuda mora biti prilagođena volumenu lokalnog sustava za vodu. Za dimenzioniranje ekspanzijske posude za krug grijanja može se koristiti sljedeći izraz i grafikon.

Kada je potrební volumen ekspanzijske posude veći od volumena ugrađene ekspanzijske posude, ugradite dodatnu ekspanzijsku posudu tako da zbroj volumena ekspanzijskih posuda bude veći od potrebnog volumena ekspanzijske posude.

* Pri ugradnji modela E**T***-*M*ED*, nabavite i ugradite na terenu prikladnu ekspanzijsku posudu na primarnoj strani i dodatni sigurnosni tlačni ventil od 3 bara jer model **NE DOLAZI** s montiranom ekspanzijskom posudom na primarnoj strani.

$$V = \frac{\varepsilon \times G}{1 - \frac{P_1 + 0,098}{P_2 + 0,098}}$$

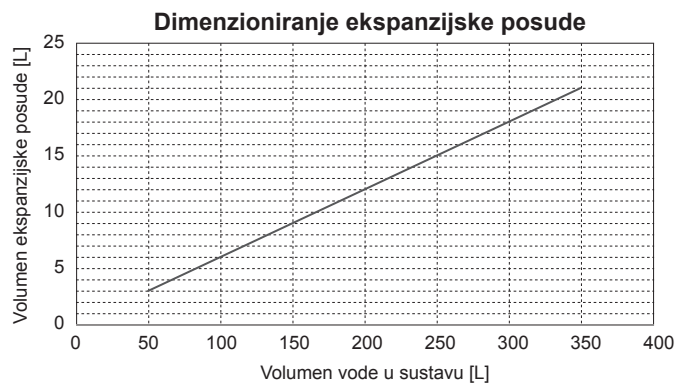
Gdje su:

- V : Potreban volumen ekspanzijske posude [L]
- ε : Koefficient širenja vode
- G : Ukupan volumen vode u sustavu [L]
- P₁ : Podešeni tlak ekspanzijske posude [MPa]
- P₂ : Maksimalni tlak u radu [MPa]

Grafikon na desnoj strani služi za sljedeće vrijednosti

- ε : pri 70°C = 0,0229
- P₁ : 0,1 MPa
- P₂ : 0,3 MPa

*Dodana je sigurnosna rezerva od 30%.



<Slika 4.3.2>

4 Ugradnja

Karakteristike crpke za cirkulaciju vode

1. Primarni krug

Brzina crpke može se odabrati postavkom na glavnom daljinskom upravljaču (pogledajte <Slika 4.3.3 do 4.3.7>). Prilagodite brzinu crpke tako da brzina protoka u primarnom krugu odgovara ugrađenoj vanjskoj jedinici (pogledajte tablicu 4.3.1). Možda će trebati dodati dodatnu crpku u sustav, ovisno o duljini i visini dobave u primarnom krugu. Za model vanjske jedinice koji nije naveden u <Tablici 4.3.1>, pogledajte raspon protoka vode u tablici s tehničkim podacima u priručniku vanjske jedinice.

<Druga crpka>

Ako u postrojenju potrebna druga crpka, pažljivo pročitajte sljedeće. Ako se u sustavu koristi druga crpka, ona se može postaviti na dva načina. Položaj crpke utječe na to na koji će se FTC priključak spojiti signalni kabel. Ako je struja dodatne crpke veća od 1A, koristite odgovarajući relej. Signalni kabel crpke može se spojiti na TBO.1 1-2 ili CNP1, ali NE na oboje.

Opcija 1 (grijanje prostora/ samo hlađenje)

Ako se sekundarna crpka koristi samo za krug grijanja, tada se signalni kabel treba spojiti priključke 3 i 4 na TBO.1 (OUT2). U tom položaju brzina crpke može raditi pri različitim brzinama ugrađene crpke jedinice cilindra.

Opcija 2 (Primarni krug DHW i grijanje/hlađenje prostora)

Ako se druga crpka koristi u primarnom krugu između jedinice cilindra i vanjske jedinice (SAMO pakirani sustav), tada se signalni kabel treba spojiti priključke 1 i 2 na TBO.1 (OUT1). U tom položaju brzina crpke **MORA** odgovarati brzini ugrađene crpke jedinice cilindra.

Bilješka: pogledajte 5.2 Spajanje ulaza i izlaza.

Vanjska jedinica s toplinskom crpkom	Raspon protoka vode [L/min]	
Pakirani model	PUZ-WM50	6,5 - 14,3
	PUZ-WM60	8,6 - 17,2
	PUZ-WM85	10,8 - 24,4
	PUZ-WM112	14,4 - 32,1
	PUZ-HWM140	17,9 - 36,9
Razdvojeni model	SUZ-SWM40	6,5 - 11,4
	SUZ-SWM60	7,2 - 17,2
	SUZ-SWM80	7,8 - 21,5
	PUD-S(H)WM60	9,0 - 22,9
	PUD-S(H)WM80	9,0 - 22,9
	PUD-S(H)WM100	14,3 - 34,4
	PUD-S(H)WM120	14,3 - 34,4
	PUD-SHW140	14,3 - 34,4
	PUHZ-FRP71	11,5 - 22,9
	PUHZ-SW75	10,2 - 22,9
	PUHZ-SW100	14,4 - 32,1
	PUHZ-SW120	20,1 - 36,9
	PUHZ-SHW80	10,2 - 22,9
	PUHZ-SHW112	14,4 - 32,1
	PUHZ-SHW140	17,9 - 36,9
PUMY-P112	17,9 - 35,8	
PUMY-P125	17,9 - 35,8	
PUMY-P140	17,9 - 35,8	

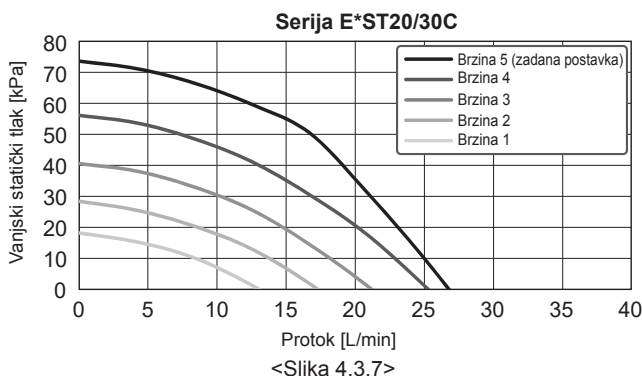
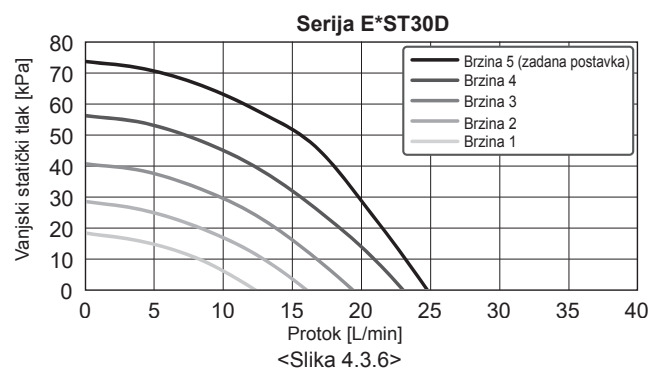
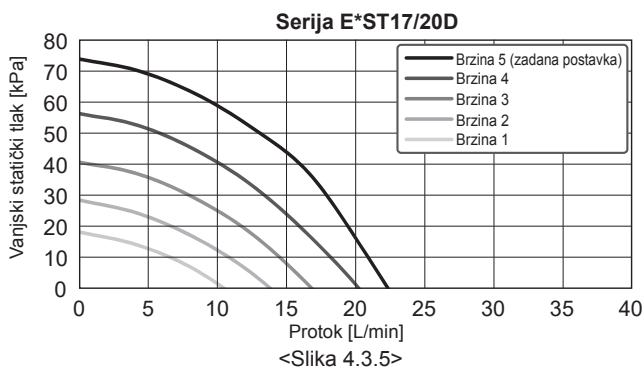
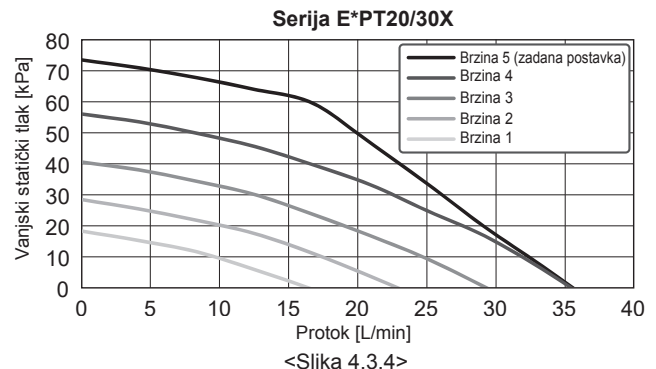
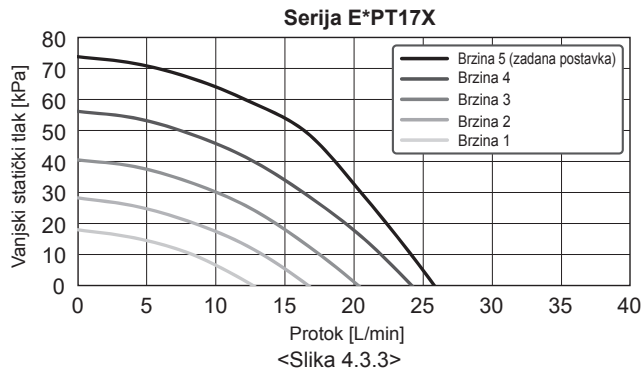
<Tablica 4.3.1>

* Ako je protok vode manji od postavke osjetnika za minimalni protok (zadano 5,0 L/min), aktivirat će se pogreška protoka. Ako vrijednost protoka prekorači 36,9 L/min, (serija E**T20/30) ili 25,8 L/min (serija E**T17), brzina strujanja bit će veća od 2,0 m/s, što može dovesti do erozije cijevi.

2. Sanitarni krug

Zadana postavka: Brzina 2
DHW crpka za cirkulaciju MORA se postaviti na brzinu 2.

Karakteristike crpke za cirkulaciju vode



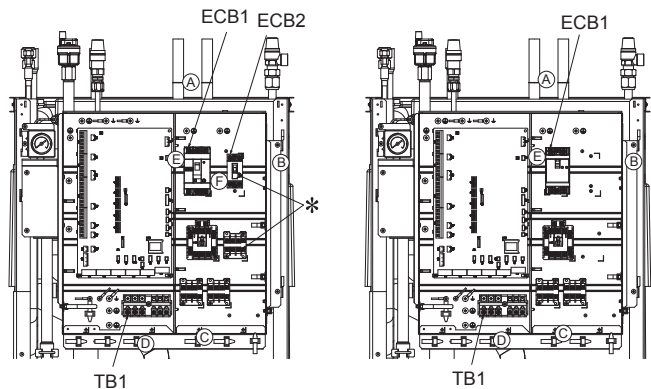
*Za ugradnju serije E*PT, postavite brzinu crpke s padom tlaka između jedinice cilindra i vanjske jedinice uračunatim u vanjskom statičkom tlaku.

4 Ugradnja

4.4 Električni priključak

Elektroinstalacijske radove treba obaviti tehničar s prikladnom kvalifikacijom. U slučaju nesukladnosti može se pojaviti opasnost od pogibije od električnog udara. Također će poništiti i pravo na jamstvo. Ožičenje se mora izvesti u skladu s državnim propisima o elektroinstalacijama.

Skraćenica prekidača	Značenje
ECB1	Sklopka za zaštitu dodatnog grijača od dozemnog spoja
ECB2	Sklopka za zaštitu grijača za uranjanje od dozemnog spoja
TB1	Priključni blok 1



<1 faza (s grijačem za uranjanje)>

<3 faze (bez grijača za uranjanje)>

Jedinica cilindra se može napajati na dva načina.

1. Kabel za električno napajanje dolazi od vanjske jedinice u jedinicu cilindra.
2. Jedinica cilindra ima neovisan izvor električnog napajanja

Priključci se moraju obaviti na stezaljkama koje su označene na slikama lijevo dolje, ovisno o fazi.

Dodatni grijač i grijač za uranjanje moraju se priključiti neovisno jedan o drugome na zasebne izvore napajanja.

- Ožičenje koje se nabavlja lokalno treba se provući kroz ulaze koji se nalaze na gornjem dijelu jedinice cilindra. (Pogledajte <Tablicu 3.4>.)
- Ožičenje se treba uvući na desnoj strani kutije s upravljanjem i električnim dijelovima i treba se pričvrstiti isporučenim obujmicama.
- Vodiči se trebaju uvlačiti pojedinačno kroz kabelske ulaznice kao na donjoj slici.
 - Vodič za izlaze
 - Vodič za unutarnju-vanjsku jedinicu
 - Vod za napajanje (B.H.)/ Vod za napajanje (I.H.)(opcija)
 - Vodiči za signalne ulaze
- Spajanje vanjske jedinice – kabel za spajanje jedinice cilindra na TB1.
- Spajanje električnog kabela za dodatni grijač na ECB1.
- Ako postoji grijač za uranjanje, spojite kabel za napajanje na ECB2.



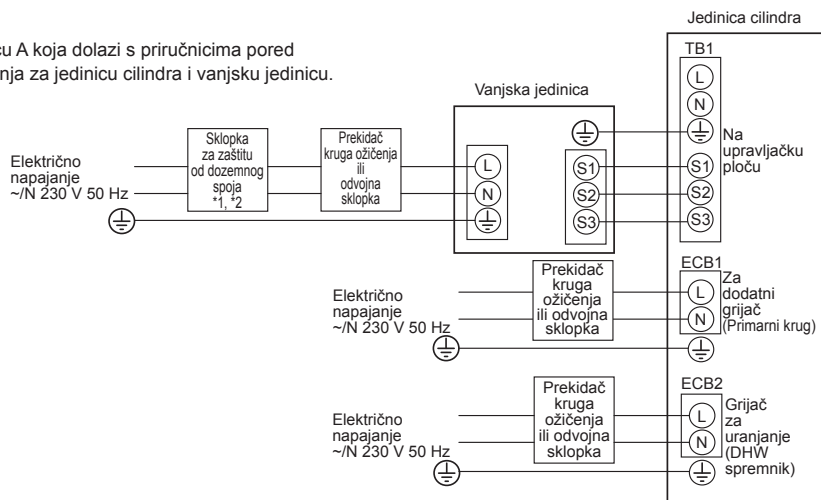
- Izbjegavajte dodir između vodova i dijelova (*).
- Pazite da ECB1 i ECB2 budu uključeni.
- Po dovršetku ožičenja provjerite da je kabel glavnog daljinskog upravljača spojen na priključak releja.

Napajanje jedinice cilindra preko vanjske jedinice

(Ako želite koristiti neovisni izvor, otvorite Mitsubishi web stranicu.)

<1 faza>

Pričvrstite naljepnicu A koja dolazi s priručnicima pored svake sheme ožičenja za jedinicu cilindra i vanjsku jedinicu.



<Slika 4.4.1>

Električni priključci, 1 fazni

- *1. Ako ugrađeni prekidač za zaštitu od dozemnog spoja nema funkciju za zaštitu od previsoke struje, ugradite prekidač s tom funkcijom na istom vodu napajanja.
- *2. Mora se koristiti prekidač s razmakom kontakata od barem 3,0 mm u svakom polu. Koristite prekidač za zaštitu od dozemnog spoja (NV). Prekidač služi za odvajanje svih aktivnih faznih vodiča električnog napajanja.
- *3. Maksimalno 45 m
Ako se koristi 2,5 mm², Maksimalno 50 m
Ako se koristi 2,5 mm² i zasebni S3, Maksimalno 80 m
- *4. Vrijednosti u gornjoj tablici ne mjere se uvijek prema vrijednosti zemlje.

Opis	Električno napajanje	Učin	Osigurač	Ožičenje
Dodatni grijač (primarni krug)	~N 230 V 50 Hz	2 kW	16 A *2	2,5 mm ²
Grijač za uranjanje (DHW spremnik)	~N 230 V 50 Hz	3 kW	16 A *2	2,5 mm ²

Ožičenje Broj vodiča x veličina (mm ²)	Jedinica cilindra - vanjska jedinica	*3	3 x 1,5 (polar)
	Jedinica cilindra - uzemljenje vanjske jedinice	*3	1 x Min. 1,5
Nazivni podaci kruga	Jedinica cilindra - vanjska jedinica S1 - S2	*4	230 V AC
	Jedinica cilindra - vanjska jedinica S2 - S3	*4	24 V DC

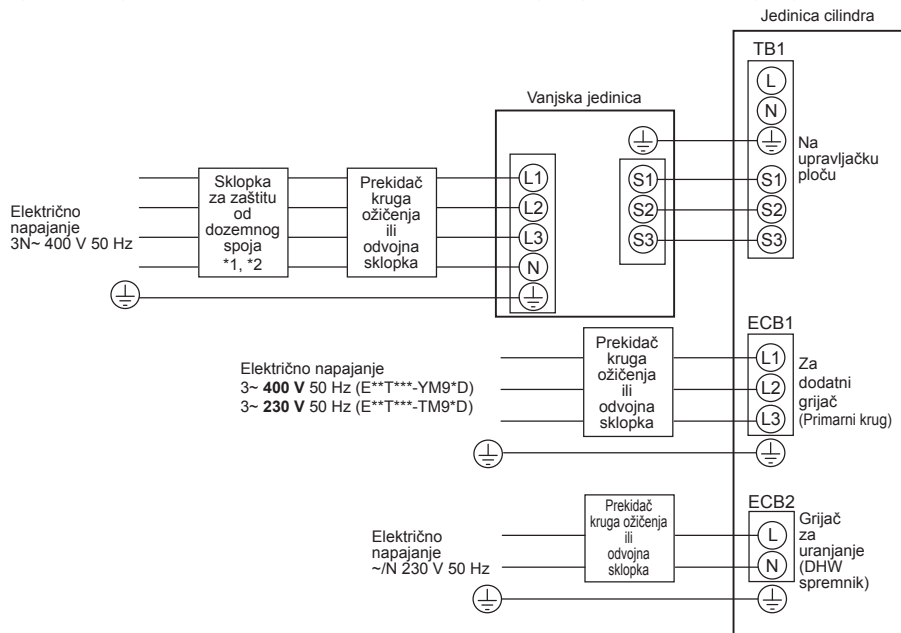
Bilješka: 1. Veličina ožičenja mora biti u skladu s važećim lokalnim i nacionalnim zakonom.

2. Priključni vodiči unutarnje/vanjske jedinice ne smiju biti slabiji od fleksibilnog vodiča s polipropilenskom izolacijom. (Dizajn 60245 IEC 57)
Priključni vodiči unutarnje jedinice ne smiju biti slabiji od fleksibilnog vodiča s polipropilenskom izolacijom. (Dizajn 60227 IEC 53)
3. Instalirajte vod za uzemljenje koji je dulji od ostalih vodova.
4. Izvor električnog napajanja treba imati snagu dovoljnu za svaki grijač. Nedovoljna snaga napajanja može izazvati podrtavanje.

4 Ugradnja

<3 faze>

Pričvrstite naljepnicu A koja dolazi s priručnicima pored svake sheme ožičenja za jedinicu cilindra i vanjsku jedinicu.



<Slika 4.4.2>
Električni priključci, 3 fazni

Opis	Električno napajanje	Učin (ref. unutarnja jedinica)	Osigurač	Ožičenje
Dodatni grijač (primarni krug)	3~ 400 V 50 Hz	9 kW	16 A *2	2,5 mm ²
	3~ 230 V 50 Hz	9 kW	32 A *2	6,0 mm ²
Grijač za uranjanje (DHW spremnik)	~/N 230 V 50 Hz	3 kW	16 A *2	2,5 mm ²

Ožičenje Broj vodiča x veličina (mm ²)	Jedinica cilindra - vanjska jedinica	*3	3 x 1,5 (polar)
	Jedinica cilindra - uzemljenje vanjske jedinice	*3	1 x Min. 1,5
Nazivni podaci kruga	Jedinica cilindra - vanjska jedinica S1 - S2	*4	230 V AC
	Jedinica cilindra - vanjska jedinica S2 - S3	*4	24 V DC

- *1. Ako ugrađeni prekidač za zaštitu od dozemnog spoja nema funkciju za zaštitu od previsoke struje, ugradite prekidač s tom funkcijom na istom vodu napajanja.
- *2. Mora se koristiti prekidač s razmakom kontakata od barem 3,0 mm u svakom polu. Koristite prekidač za zaštitu od dozemnog spoja (NV). Prekidač služi za odvajanje svih aktivnih faznih vodiča električnog napajanja.
- *3. Maksimalno 45 m
Ako se koristi 2,5 mm², Maksimalno 50 m
Ako se koristi 2,5 mm² i zasebni S3, Maksimalno 80 m
- *4. Vrijednosti u gornjoj tablici ne mjere se uvijek prema vrijednosti zemlje.

Bilješka: 1. Veličina ožičenja mora biti u skladu s važećim lokalnim i nacionalnim zakonom.

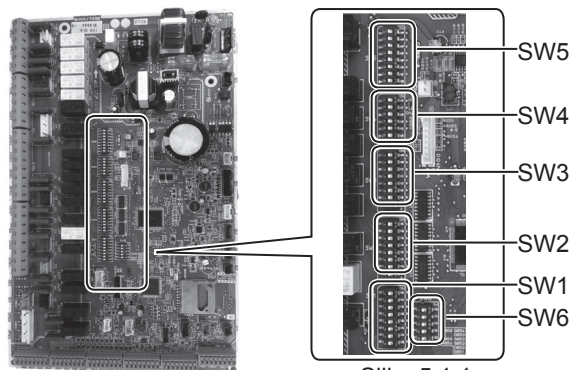
2. Priključni vodiči unutarnje/vanjske jedinice ne smiju biti slabiji od fleksibilnog vodiča s polipropilenskom izolacijom. (Dizajn 60245 IEC 57)
Priključni vodiči unutarnje jedinice ne smiju biti slabiji od fleksibilnog vodiča s polipropilenskom izolacijom. (Dizajn 60227 IEC 53)
3. Instalirajte vod za uzemljenje koji je dulji od ostalih vodova.
4. Izvor električnog napajanja treba imati snagu dovoljnu za svaki grijač. Nedovoljna snaga napajanja može izazvati podrtavanje.

5 Podešavanje sustava

5.1 Funkcije DIP sklopki

Broj DIP sklopke otisnut je na tiskanoj pločici pored odgovarajuće sklopke. Riječ ON otisnuta je na tiskanoj pločici i na samom DIP modulu. Za pomicanje sklopke potrebna je igla, kut metalnog ravnala ili sličan predmet.

Postavke DIP sklopke navedeni su dolje u tablici 5.1.1.
Samo ovlašteni monter smije mijenjati postavke DIP sklopke pod vlastitom odgovornošću i u skladu sa stanjem postrojenja.
Prije promjene postavki DIP sklopke, isključite napajanje vanjske i unutarnje jedinice.



<Slika 5.1.1>

DIP sklopka	Funkcija	OFF	ON	Zadane postavke: model unutarnje jedinice			
SW1	SW1-1 Kotao	BEZ kotla	S kotlom	OFF			
	SW1-2 Maksimalna temperature vode na izlazu toplinske crpke	55°C	60°C	ON *1			
	SW1-3 DHW spremnik	BEZ DHW spremnika	S DHW spremnikom	ON			
	SW1-4 Grijač za uranjanje	BEZ grijača za uranjanje	S grijačem za uranjanje	OFF: Iznimka EHPT20X-MHEDW ON : EHPT20X-MHEDW			
	SW1-5 Dodatni grijač	BEZ dodatnog grijača	S dodatnim grijačem	OFF: E**T***-M*ED* ON : E**T***-M 2/6/9*D			
	SW1-6 Funkcija dodatnog grijača	Samo za grijanje	Za grijanje i DHW	OFF: E**T***-M*ED* ON : E**T***-M 2/6/9*D			
	SW1-7 Vrsta vanjske jedinice	Razdvojeni tip	Pakirani tip	OFF: E*ST***-M**D ON : E*PT**X-*M**D*			
	SW1-8 Bežični daljinski upravljač	BEZ bežičnog daljinskog upravljača	S bežičnim daljinskim upravljačem	OFF			
SW2	SW2-1 Ulaz za sobni termostat 1 (IN1) promjena logike	Prestanak rada u zoni 1 pri zatvorenom termostatu	Prestanak rada u zoni 1 pri otvorenom termostatu	OFF			
	SW2-2 Ulaz za sklopku protoka 1 (IN2) promjena logike	Otkrivanje kvara u zatvorenom stanju	Otkrivanje kvara u otvorenom stanju	OFF			
	SW2-3 Ograničenje kapaciteta dodatnog grijača	Neaktivno	Aktivno	OFF: Iznimka E**T***-VM2*D ON : E**T***-VM2*D			
	SW2-4 Funkcija načina hlađenja	Neaktivno	Aktivno	OFF: EH*T***-M**D* ON : ER*T***-M**D			
	SW2-5 Automatski prijelaz na rad rezervnog izvora topline (kada vanjska jedinica prestane s radom uslijed pogreške)	Neaktivno	Aktivno *2	OFF			
	SW2-6 Spremnik za miješanje	BEZ spremnika za miješanje	SA spremnikom za miješanje	OFF			
	SW2-7 Regulacija temperature za 2 zone	Neaktivno	Aktivno *6	OFF			
	SW2-8 Senzor protoka	BEZ osjetnika protoka	SA osjetnikom protoka	ON			
SW3	SW3-1 Sobni termostat 2 promjena logike ulaza (IN6)	Prestanak rada u zoni 2 pri zatvorenom termostatu	Prestanak rada u zoni 2 pri otvorenom termostatu	OFF			
	SW3-2 Sklopka protoka 2 i 3 promjena logike ulaza	Otkrivanje kvara u zatvorenom stanju	Otkrivanje kvara u otvorenom stanju	OFF			
	SW3-3 3-smjerni tip ventila	AC motor	Koračni motor	OFF: Iznimka E**T17X/17D/20D-*M**D* ON: E**T17X/17D/20D-*M**D			
	SW3-4 Brojilo električne energije	BEZ brojila električne energije	S brojilom električne energije	OFF			
	SW3-5 Funkcija načina grijanja *3	Neaktivno	Aktivno	ON			
	SW3-6 Ventil za 2 zone s ON/OFF upravljanjem	Neaktivno	Aktivno	OFF			
	SW3-7 Izmjenjivač topline za DHW	Spirala u spremniku	Vanjska ploča HEX	ON			
	SW3-8 Mjerač topline	BEZ mjerača topline	S mjeračem topline	OFF			
SW4	SW4-1	—	—	OFF			
	SW4-2	—	—	OFF			
	SW4-3	—	—	OFF			
	SW4-4 Rad unutarnje jedinice (za vrijeme radova na ugradnji) *4	Neaktivno	Aktivno	OFF			
	SW4-5 Rad u nuždi (rad samo s grijačem)	Normalno	Rad u nuždi (rad samo s grijačem)	OFF *5			
	SW4-6 Rad u nuždi (rad s kotlom)	Normalno	Rad u nuždi (rad s kotlom)	OFF *5			
SW5	SW5-1	—	—	OFF			
	SW5-2 Napredna automatska prilagodba	Neaktivno	Aktivno	ON			
	SW5-3	Šifra kapaciteta					
	SW5-4		SW5-3	SW5-4	SW5-5	SW5-6	SW5-7
	SW5-5	E**T**C-*M**D	ON	ON	ON	ON	OFF
	SW5-6	E**T**D-*M**D	ON	OFF	OFF	ON	OFF
	SW5-7	E**T**X-*M**D*	OFF	OFF	OFF	OFF	OFF
	SW5-8	—	—	—	—	—	OFF
SW6	SW6-1	—	—	OFF			
	SW6-2	—	—	OFF			
	SW6-3 Senzor tlaka	Neaktivno	Aktivno	OFF: Iznimka E*ST**D-*M**D ON: E*ST**D-*M**D			
	SW6-4 Analogni izlazni signal (0-10 V)	Neaktivno	Aktivno	OFF			
	SW6-5	—	—	—	OFF		

<Tablica 5.1.1>

Bilješka: *1. Kada je jedinica cilindra povezan s vanjskom jedinicom PUMY-P čija maksimalna izlazna temperature vode iznosi 55°C, DIP SW1-2 mora se prebaciti na OFF.

*2. Bit će dostupan vanjski izlaz (OUT11). Iz razloga sigurnosti ova funkcija nije dostupna za određene pogreške. (U tom slučaju rad sustava se mora zaustaviti, a u radu treba biti samo crpka za cirkulaciju vode.)

*3. Ova sklopka radi samo kada je jedinica cilindra spojena s vanjskom jedinicom PUIZ-FRP. Kada je spojena druga vrsta vanjske jedinice, funkcija načina grijanja bit će aktivna bez obzira je li ova sklopka u položaju ON ili OFF.

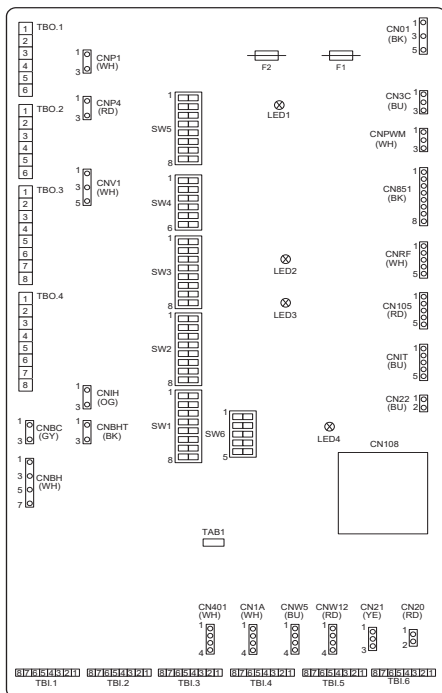
*4. Grijanje prostora i DHW mogu se koristiti samo na unutarnjoj jedinici poput električnog grijača. (Pogledajte „5.4 Rad unutarnje jedinice“.)

*5. Ako rad u nuždi više nije potreban, vratite sklopku u položaj OFF.

*6. Aktivno samo kada je SW3-6 postavljena u položaj OFF.

5 Podešavanje sustava

5.2 Spajanje ulaza i izlaza



<Slika 5.2.1>

Podaci o ožičenju i dijelovi koji se nabavljaju lokalno

Stavka	Naziv	Model i tehnički podaci
Funkcija ulaza za signal	Vodič ulaza za signal	Koristite kabel ili vod s vinilnom izolacijom. Maksimalno 30 m Vrsta vodiča: CV, CVS ili nadomjesni Presjek vodiča: Upleteni vodič 0,13 mm ² do 0,52 mm ² Kruti vodič: ø0,4 mm do ø0,8 mm
	Sklopka	Signali bežnaponskog „a” kontakta Udaljena sklopka: minimalno primjenjivo opterećenje 12 V DC, 1 mA

Bilješka:

Upleteni vodiči trebaju se opremiti ravnim završecima s izolacijom (tip kompatibilan sa standardom DIN46228-4).

■ Ulazi za signal

Naziv	Priključni blok	Priključak	Stavka	OFF (otvoren)	ON (zatvoren)
IN1	TBI.1 7-8	—	Sobni termostatski ulaz *1	Pogledajte SW2-1 u <5.1 Funkcije DIP sklopke>.	
IN2	TBI.1 5-6	—	Ulaz sklopke protoka 1	Pogledajte SW2-2 u <5.1 Funkcije DIP sklopke>.	
IN3	TBI.1 3-4	—	Ulaz sklopke protoka 2 (Zona1)	Pogledajte SW3-2 u <5.1 Funkcije DIP sklopke>.	
IN4	TBI.1 1-2	—	Ulaz za upravljanje potražnjom	Normalno	Izvor topline OFF/rad kotla *3
IN5	TBI.2 7-8	—	Ulaz za vanjski termostatski ulaz *2	Standardni rad	Rad grijača/ rad kotla *3
IN6	TBI.2 5-6	—	Ulaz sobnog termostata 2 *1	Pogledajte SW3-1 u <5.1 Funkcije DIP sklopke>.	
IN7	TBI.2 3-4	—	Ulaz sklopke protoka 3 (Zona2)	Pogledajte SW3-2 u <5.1 Funkcije DIP sklopke>.	
IN8	TBI.3 7-8	—	Brojilo električne energije 1	*4	
IN9	TBI.3 5-6	—	Brojilo električne energije 2		
IN10	TBI.2 1-2	—	Mjerač topline	*5	
IN11	TBI.3 3-4	—	Ulaz pripreme za pametnu mrežu		
IN12	TBI.3 1-2	—			
INA1	TBI.4 1-3	CN1A	Senzor protoka	—	—

*1. Postavite vrijeme ciklusa uključivanja/isključivanja sobnog termostata na 10 minuta ili više, u protivnom bi se mogao oštetiti kompresor.

*2. Ako upravljanje radom grijača koristite vanjski termostatski ulaz, radni vijek grijača i srodnih dijelova mogao bi biti skraćen.

*3. Za uključivanje rada kotla koristite daljinski upravljač i odaberite „Boiler” (Kotao) na zaslonu „External input setting” (Postavke vanjskog ulaza) na servisnom zaslonu.

*4. Brojilo električne energije i mjerač utrošene topline

- Vrsta impulsa: Bežnaponski kontakt za otkrivanje 12 V DC putem FTC (TBI.2 1 kontakt, TBI.3 5 i 7 kontakata imaju pozitivni napon.)
- Trajanje impulsa: Minimalno vrijeme uključenosti: 40 ms
Minimalno vrijeme isključenosti: 100 ms
- Moguća jedinica impulsa: 0,1 impulsa/kWh 1 impulsa/kWh 10 impulsa/kWh
100 impulsa/kWh 1000 impulsa/kWh

Ove se vrijednosti mogu postaviti na glavnom daljinskom upravljaču. (Pogledajte stablo izbornika u „Glavni daljinski upravljač”.)

*5. Za pripremu SG, pogledajte „5.5 Priprema za pametnu mrežu”.

■ Ulazi za termistore

Naziv	Priključni blok	Priključak	Stavka	Opcioni model dijela
TH1	—	CN20	Termistor (sobna temperatura) (Opcija)	PAC-SE41TS-E
TH2	—	CN21	Termistor (referentna temperatura tekućine)	—
THW1	—	CNW12 1-2	Termistor (temperatura protočne vode)	—
THW2	—	CNW12 3-4	Termistor (temperatura povratne vode)	—
THW5A	—	CNW5 1-2	Termistor (gornja temperatura vode DHW spremnika)	—
THW5B	—	CNW5 3-4	Termistor (donja temperatura vode DHW spremnika)	—
THW6	TBI.5 7-8	—	Termistor (temperatura protočne vode zone 1) (Opcija) *1	PAC-TH011-E
THW7	TBI.5 5-6	—	Termistor (temperatura povratne vode zone 1) (Opcija) *1	
THW8	TBI.5 3-4	—	Termistor (temperatura protočne vode zone 2) (Opcija) *1	PAC-TH011-E
THW9	TBI.5 1-2	—	Termistor (temperatura povratne vode zone 2) (Opcija) *1	
THWB1	TBI.6 7-8	—	Termistor (temperatura protočne vode kotla) (Opcija) *1	PAC-TH012HT-E (5 m/)
THW10	TBI.6 5-6	—	Termistor (temperatura vode spremnika za miješanje) (Opcija) *1	PAC-TH012HTL-E (30 m)

Pazite da vodiče za termistore položite dalje od voda za napajanje i/ili na OUT1 za 16 vodiča.

*1. Maksimalna duljina ožičenja za termistor je 30 m.

Duljina ožičenja za opcionu termistor je 5 m. Ako trebate spojiti i produljiti ožičenje, učinite sljedeće.

1) Vodiče povežite lemljenjem.

2) Svako spojno mjesto izolirajte radi zaštite od prašine i vode. Upleteni vodiči trebaju se opremiti ravnim završecima s izolacijom (standard DIN46228-4 kompatibilan tip).

5 Podešavanje sustava

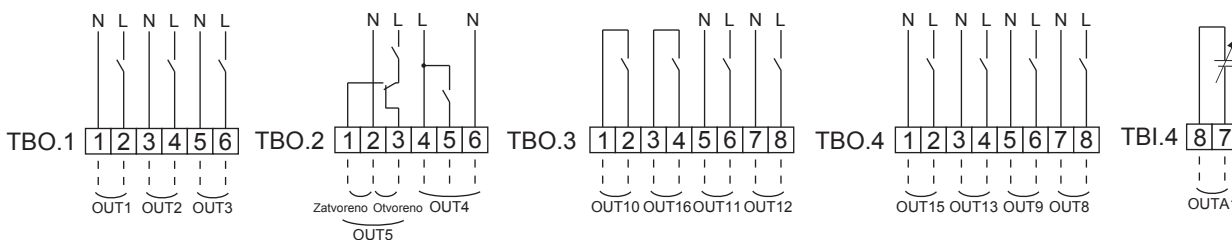
Izlazi

Naziv	Priključni blok	Priključak	Stavka	OFF	ON	Signal/Maksimalna struja	Maksimalna ukupna struja
OUT1	TBO.1 1-2	CNP1	Crpka za cirkulaciju vode 1, izlaz (grijanje/hlađenje prostora i DHW)	OFF	ON	230 V AC 1,0 A Maks. (struja pokretanja maksimalno 40 A)	4,0 A (a)
OUT2	TBO.1 3-4	—	Crpka za cirkulaciju vode 2, izlaz (grijanje/hlađenje prostora za zonu 1)	OFF	ON	230 V AC 1,0 A Maks. (struja pokretanja maksimalno 40 A)	
OUT3	TBO.1 5-6	—	Crpka za cirkulaciju vode 3, izlaz (grijanje/hlađenje prostora za zonu 2) *1 2-smjerni ventil 2b izlaz *2	OFF	ON	230 V AC 1,0 A Maks. (struja pokretanja maksimalno 40 A)	
OUT14	—	CNP4	Crpka za cirkulaciju vode 4, izlaz (DHW)	OFF	ON	230 V AC 1,0 A Maks. (struja pokretanja maksimalno 40 A)	
OUT4	TBO.2 4-6	CNV1	3-smjerni ventil (2-smjerni ventil) izlaz	Grijanje	DHW	230 V AC 0,1 A Maks.	3,0 A (b)
	—	CN851	3-smjerni ventil izlaz				
OUT5	TBO.2 1-2	—	Izlaz ventila za miješanje *1	Kraj	Zatvoreno	230 V AC 0,1 A Maks.	
	TBO.2 2-3			Otvoreno			
OUT6	—	CNBH 1-3	Dodatni grijač 1 izlaz	OFF	ON	230 V AC 0,5 A maksimalno (releji)	
OUT7	—	CNBH 5-7	Dodatni grijač 2 izlaz	OFF	ON	230 V AC 0,5 A maksimalno (releji)	
OUT8	TBO.4 7-8	—	Izlaz signala hlađenja	OFF	ON	230 V AC 0,5 A Maks.	
OUT9	TBO.4 5-6	CNIH	Izlaz grijača s uranjanjem	OFF	ON	230 V AC 0,5 A maksimalno (releji)	
OUT11	TBO.3 5-6	—	Pogreška izlaza	Normalno	Pogreška	230 V AC 0,5 A Maks.	
OUT12	TBO.3 7-8	—	Izlaz odleđivanja	Normalno	Odmrzavanje	230 V AC 0,5 A Maks.	
OUT13	TBO.4 3-4	—	2-smjerni ventil 2a izlaz *2	OFF	ON	230 V AC 0,1 A Maks.	
OUT15	TBO.4 1-2	—	Komp ON signal	OFF	ON	230 V AC 0,5 A Maks.	
OUT10	TBO.3 1-2	—	Izlaz kotla	OFF	ON	Bez-naponski kontakti ·220 - 240 V AC (30 V DC) ·0,5 A ili manje ·10 mA 5 V DC ili više	—
OUT16	TBO.3 3-4	—	Signal grijanja/hlađenja termo uključen	OFF	ON		
OUTA1	TBI.4 7-8	—	Analogni izlaz	0 - 10 V		0 - 10 V DC 5 mA maksimalno	—

Nemojte spajati na stezaljke koje su označene s „—“ u polju „Terminal block“ (Priključni blok).

*1 Za 2-zonsko upravljanje temperaturom.

*2 Ventil za 2 zone s ON/OFF upravljanjem.



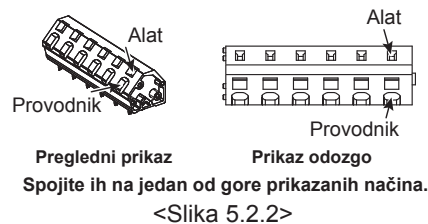
Podaci o ožičenju i dijelovi koji se nabavljaju lokalno

Stavka	Naziv	Model i tehnički podaci
Funkcija vanjskog izlaza	Izlazni vodiči	Koristite kabel ili vod s vinilnom izolacijom. Maksimalno 30 m Vrsta vodiča: CV, CVS ili nadomjesni Presjek vodiča: Upleteni vodič 0,25 mm ² do 1,5 mm ² Kruti vodič: ø0,57 mm do ø1,2 mm

Bilješka:

- Kada se jedinica cilindra napaja preko vanjske jedinice, maksimalna ukupna struja (a)+(b) je 3,0 A.
- Nemojte spajati više crpki za cirkulaciju vode izravno na svaki izlaz (OUT1, OUT2 i OUT3). U tom slučaju spojite ih preko (a) releja.
- Nemojte spajati crpke za cirkulaciju vode istodobno na TBO.1 1-2 i CNP1.
- Spojite odgovarajući prenaponski odvodnik na OUT10 (TBO.3 1-2) ovisno o opterećenju na terenu.
- Upleteni vodiči trebaju se opremiti ravnim završecima s izolacijom (tip kompatibilan sa standardom DIN46228-4).
- Koristite istu stvar kao za vodič signalnog ulaza za ožičenje OUTA1.

Kako koristiti TBO.1 do 4



Spojite ih na jedan od gore prikazanih načina.

<Slika 5.2.2>

5.3 Ožičenje za 2-zonsku regulaciju temperature

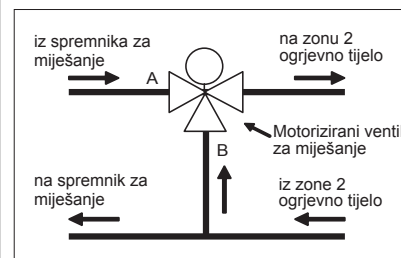
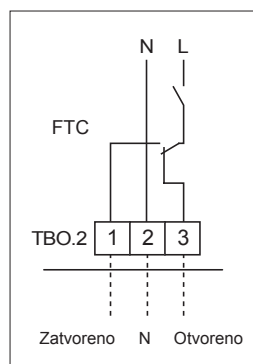
Spojite cjevovod i lokalno nabavljene dijelove u skladu s odgovarajućim krugom prikazanim u odjeljku 3 ovog priručnika, „Lokalni sustav“.

<Ventil za miješanje>

Spojite signalni vod na otvoreni priključak A (ulaz za toplu vodu) na TBO. 2-3 (otvoreno), signalni vod na otvoreni priključak A (ulaz za hladnu vodu) na TBO. 2-1 (Zatvoreno) i vod neutralnog priključka na TBO. 2-2 (N).

<Termistor>

- Nemojte ugrađivati termistore na spremnik za miješanje.
- Ugrađite termistor za temperaturu protoka Zona 2 (THW8) blizu ventila za miješanje.
- Maksimalna duljina ožičenja za termistor je 30 m.
- Duljina ožičenja za opcioni termistor je 5 m. Ako trebate spojiti i produljiti ožičenje, učinite sljedeće.
 - Vodiče povežite imlenjanjem.
 - Svako spojno mjesto izolirajte radi zaštite od prašine i vode.



5 Podešavanje sustava

5.4 Rad unutarnje jedinice (za vrijeme radova na ugradnji)

Kada je potreban DHW ili grijanje prije spajanja vanjske jedinice, tj. za vrijeme radova na ugradnji, može se koristiti električni grijač u unutarnjoj jedinici (*1).

*1 Samo model s električnim grijačem.

1. Početak rada

- Provjerite je li električno napajanje unutarnje jedinice isključeno i prebacite DIP sklopku 4-4 i 4-5 u položaj ON.
- Uključite električno napajanje unutarnje jedinice.

2. Završetak rada *2

- Isključite električno napajanje unutarnje jedinice.
- Stavite DIP sklopku 4-4 i 4-5 u položaj OFF.

*2 Kada se završi rad samo unutarnje jedinice, provjerite postavke nakon spajanja vanjske jedinice.

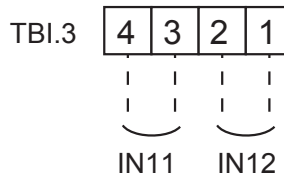
Bilješka:

Duži rad u tom načinu rada može štetno djelovati na životni vijek električnog grijača.

5.5 Priprema za pametnu mrežu

U DHW ili načinu rada za grijanje, mogu se koristiti naredbe u donjoj tablici.

IN11	IN12	Značenje
OFF (otvoren)	OFF (otvoren)	Normalni rad
ON (zatvoren)	OFF (otvoren)	Uključivanje preporuke
OFF (otvoren)	ON (zatvoren)	Isključivanje naredbe
ON (zatvoren)	ON (zatvoren)	Uključivanje naredbe



5.6 Korištenje SD memorijske kartice

Jedinica cilindra opremljena je sučeljem za SD memorijsku karticu u FTC.

Korištenjem SD memorijske kartice mogu se pojednostavniti postavke daljinskog upravljača i mogu se pohranjivati dnevnik rada. *1

*1 Za uređivanje postavki daljinskog upravljača ili za provjeru radnih podataka potreban je servisni alat Ecodan (koristi se s računalom).

<Mjere opreza pri rukovanju>

- (1) Koristite SD memorijsku karticu koja je sukladna SD standardima. Provjerite da se na SD memorijskoj kartici nalazi jedan od logotipova na desnoj strani.
- (2) SD memorijske kartice za SD standarde obuhvaćaju SD, SDHC, mini SD, micro SD i micro SDHC memorijske kartice. Dostupni su kapaciteti do 32 GB. Odaberite onu s maksimalnom dozvoljenom temperaturom od 55°C.
- (3) Kada je SD memorijska kartica mini SD, mini SDHC, micro SD ili micro SDHC memorijska kartica, koristite adapter za SD memorijsku karticu.
- (4) Prije upisivanja na SD memorijsku karticu, oslobodite preklopku za zaštitu od upisa.



- (5) Prije stavljanja ili uklanjanja SD memorijske kartice, obavezno isključite sustav. Ako se SD memorijska kartica stavlja ili uklanja dok je sustav uključen, pohranjeni podaci mogli bi se oštetiti ili bi se SD memorijska kartica mogla oštetiti.
*SD memorijska kartica je pod naponom još kratko vrijeme nakon isključivanja sustava. Prije stavljanje ili uklanjanja pričekajte da se sva LED svjetla na FTC upravljačkoj ploči ugase.
- (6) Postupci očitavanja i upisa bit će verificirani kada se koriste sljedeće SD memorijske kartice, međutim, ti postupci nisu uvijek zajamčeni jer se podaci SD memorijske kartice mogu promijeniti.

- (7) Obavezno slijedite upute i zahtjeve proizvođača SD memorijske kartice.
- (8) Formatirajte SD memorijsku karticu ako je utvrđena nemogućnost očitavanja u koraku (6). Na taj se način može omogućiti očitavanje kartice. Preuzmite program za formatiranje SD kartice na sljedećoj stranici. Internetska stranica za SD Association: <https://www.sdcard.org/home/>
- (9) FTC podržava FAT datotečni sustav, ali ne podržava NTFS datotečni sustav.
- (10) Mitsubishi Electric ne snosi odgovornost za štete, u cijelosti ili djelomične, uključujući neuspjeh upisivanja na SD memorijsku karticu te oštećenje i gubitak spremjenih podataka i slično. Po potrebi arhivirajte spremljene podatke.
- (11) Nemojte dodirivati elektroničke dijelove na FTC upravljačkoj ploči kada stavljate ili uklanjate SD memorijsku karticu jer u protivnom bi upravljačka ploča mogla zatajiti u radu.

Logotipovi		
Kapaciteti		
2 GB do 32 GB *2		
Razredi SD brzine		
Svi		

- SD logotip je zaštitni znak tvrtke SD-3C, LLC.
- mini SD logotip je zaštitni znak tvrtke SD-3C, LLC.
- micro SD logotip je zaštitni znak tvrtke SD-3C, LLC.

*2 A 2-GB SD memorijska kartica čuva radne dnevnik u zadnjih 30 dana.

Proizvođač	Model	Ispitano u
Verbatim	#44015	Ožujak 2012.
SanDisk	SDSDB-002G-B35	Listopad 2011.
Panasonic	RP-SDP04GE1K	Listopad 2011.
Arvato	2GB PS8032 TSB 24nm MLC	Lipanj 2012.
Arvato	2GB PS8035 TSB A19nm MLC	Srpanj 2014.
SanDisk	SDSDUN-008G-G46	Listopad 2016.
Verbatim	#43961	Listopad 2016.
Verbatim	#44018	Listopad 2016.
VANTASTEK	VSDHC08	Rujan 2017.

Prije korištenja nove SD memorijske kartice (uključujući kartice koje dolaze s jedinicom) provjerite da se SD memorijska kartica može sigurno očitavati i upisivati putem FTC kontrolera.

<Kako se provjeravaju postupci očitavanja i upisivanja>

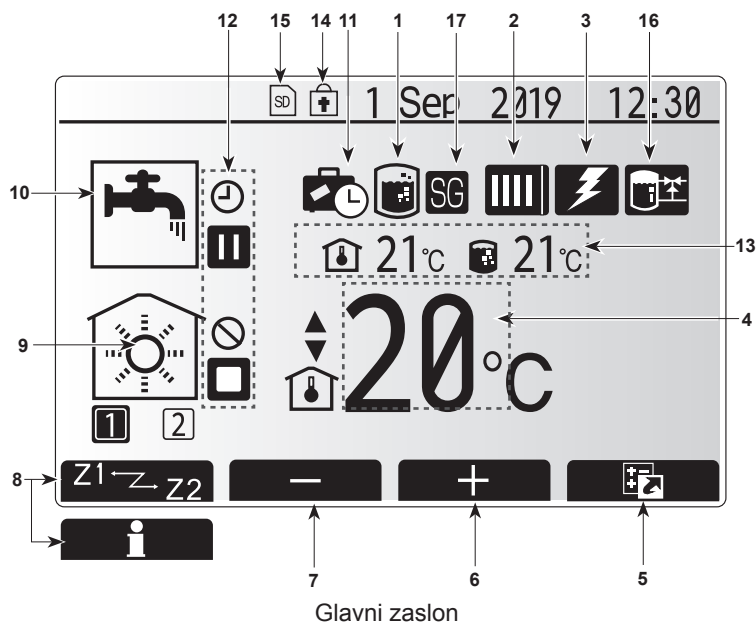
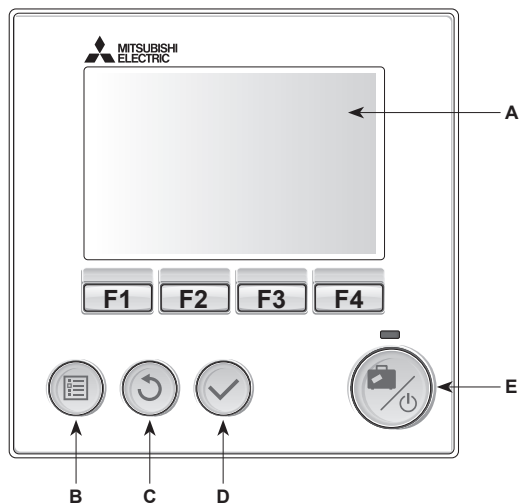
- a) Provjerite ispravnost ožičenja električnog napajanja sustava. Više pojedinosti pronađite u odjeljku 4.5. (Još nemojte uključivati napajanje sustava.)
- b) Stavite SD memorijsku karticu.
- c) Uključite napajanje sustava.
- d) Svjetlo LED4 će svijetliti ako su postupci očitavanja i upisivanja uspješno dovršeni. Ako svjetlo LED4 nastavi treptati ili uopće ne svijetli, SD memorijska kartica ne može se očitati ili se na nju ne može upisivati putem FTC.

5 Podešavanje sustava

5.7 Glavni daljinski upravljač

Da biste promijenili postavke sustava za grijanje/hlađenje, koristite glavni daljinski upravljač koji se nalazi na prednjoj ploči jedinice cilindra ili hidrauličkog modula. U nastavku slijedi vodič za pregled glavnih postavki. Ako trebate dodatne informacije, obratite se instalateru ili lokalnom distributeru tvrtke Mitsubishi Electric.

Način hlađenja dostupan je samo za seriju ERS. Međutim, način hlađenja nije dostupan kada je unutarnja jedinica priključena na PUHZ-FRP.



<Dijelovi glavnog daljinskog upravljača>

Slovo	Naziv	Funkcija
A	Zaslon	Zaslon na kojem se prikazuju sve informacije
B	Izbornik	Pristup postavkama sustava za početno postavljanje i izmjene.
C	Natrag	Povratak na prethodni izbornik.
D	Potvrdi	Koristi se za odabir ili spremanje. (Tipka "Enter")
E	Napajanje/ Odmor	Ako je sustav isključen, sustav se uključuje jednim pritiskom. Ponovni pritisak kad je sustav uključen omogućit će način odmora. Držanje gumba 3 sekunde isključit će sustav. (*1)
F1-4	Funkcijske tipke	Koriste se za pomicanje kroz izbornik i podešavanje postavki. Funkcija se određuje zaslonom izbornika vidljivim na zaslonu A.

*1

Kada je sustav isključen ili kada je napajanje isključeno, funkcije za zaštitu jedinice cilindra (npr. funkcija zaštite od zamrzavanja) NEĆE raditi. Obratite pažnju da se jedinica cilindra može potencijalno izložiti oštećenju kada ove sigurnosne funkcije nisu omogućene.

<Ikone glavnog zaslona>

	Ikona	Opis
1	Prevenција legionele	Kad je ova ikona prikazana aktivan je "Način sprječavanja Legionella".
2	Toplinska crpka	"Toplinska crpka" radi.
		Odmrzavanje
		Hitno grijanje
		Aktiviran je „Nečujni način rada“.
3	Električni grijač	Kad je ova ikona prikazana koriste se "Električni grijači" (pojačivač ili uronjeni grijač).
4	Željena temperatura	Ciljna temperatura protoka
		Ciljna sobna temperatura
		Kompenzacijska krivulja
5	OPCIJA	Pritiskom funkcijskog gumba ispod ove ikone prikazat će se zaslon s opcijama.
6	+	Povećavanje željene temperature.
7	-	Smanjivanje željene temperature.
8	Z1 Z2	Pritiskom funkcijskog gumba ispod ove ikone vrši se promjena između Zona1 i Zona2.
	Informacije	Pritiskom funkcijskog gumba ispod ove ikone prikazuje se zaslon s informacijama.
9	Način grijanja/hlađenja prostora	Način grijanja Zona1 ili Zona2
		Način hlađenja Zona1 ili Zona2
10	Način DHW	Normalni ili ECO način
11	Način odmora	Kad je ova ikona prikazana aktivan je "Način odmora".
12	Mjerač vremena	
	Zabranjeno	
	Kontrola poslužitelja	
	Pripravnost	
	Pripravnost (*2)	
	Kraj	
	Rad	
13	Trenutačna temperatura	Trenutačna sobna temperatura
		Trenutačna temperatura vode u DHW spremniku
14	Gumb Izbornik je zaključan ili je promjena načina rada između operacija DHW i Grijanje onemogućena na zaslonu s opcijama.(*3)	
15		SD memorijska kartica je stavljena. Normalni rad.
		SD memorijska kartica je stavljena. Nepravilan rad.
16	Upravljanje radom međuspremnik	Kad se prikazuje ova ikona, aktivan je „Buffer tank control“ (Upravljanje međuspremnikom).
17	Priprema za pametnu mrežu	Kada se prikazuju ova ikona, „Priprema za pametnu mrežu“ je aktivna.

*2 Ova je jedinica u pripravnosti dok druge unutarnje jedinice rade po prioritetu.

*3 Da biste zaključali ili otključali Izbornik, istovremeno pritisnite tipke NATRAG i POTVRDI na 3 sekunde.

5 Podešavanje sustava

■ [Initial setting wizard] (Čarobnjak za početno podešavanje)

Kada se daljinski upravljač uključi po prvi put, zaslon automatski prelazi na zaslon za podešavanje jezika, zaslon za podešavanje datuma/vremena i zaslon s izbornikom za glavne postavke. Funkcijskim tipkama unesite željeni broj i zatim pritisnite [CONFIRM] (Potvrdi).

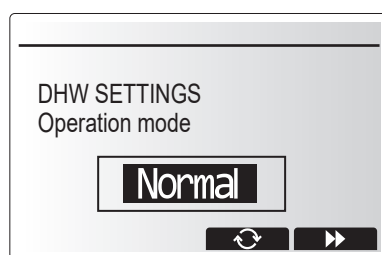
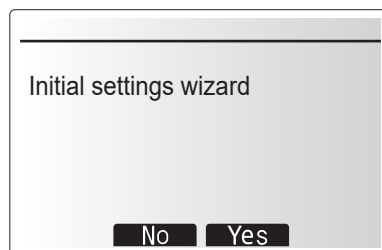
Bilješka:

<HEATER CAPACITY RESTRICTION> (Ograničenje snage grijača)

Ova postavka ograničava snagu dodatnog grijača. Nakon pokretanja se postavka NE MOŽE mijenjati.

Ako nemate posebnih zahtjeva (poput građevinskih propisa) u vašoj zemlji, preskočite ovu postavku (izaberite „No“ (Ne)).

- [Hot water (DHW/Legionella)] (Vruća voda (DHW/Legionela))
- [Heating]/[Cooling] (Grijanje/Hlađenje)
- [Operation (ON/Prohibited/Timer)] (Rukovanje (UKLJ./zabranjeno/tajmer))
- [Pump speed] (Brzina crpke)
- [Heat pump flow rate range] (Raspon protoka toplinske crpke)
- [Mixing valve control] (Upravljanje ventilom miješanja)
- [HEATER CAPACITY RESTRICTION] (Ograničenje snage grijača)



■ Izbornik glavnih postavki

Glavni izbornik za postavke može se otvoriti pritiskom na gumb [MENU] (Izbornik).

Ako želite smanjiti rizik od nehotične promjene postavki neobučениh krajnjih korisnika, dvije su razine pristupa glavnim postavkama, a servisni izbornik zaštićen je lozinkom.

Korisnička razina – pritisnite kratko

Ako se gumb [MENU] (Izbornik) pritisne jednom nakratko, prikazat će se glavne postavke ali bez funkcije uređivanja. Time će se omogućiti korisniku prikaz trenutnih postavki, ali se **NEĆE** moći mijenjati parametri.

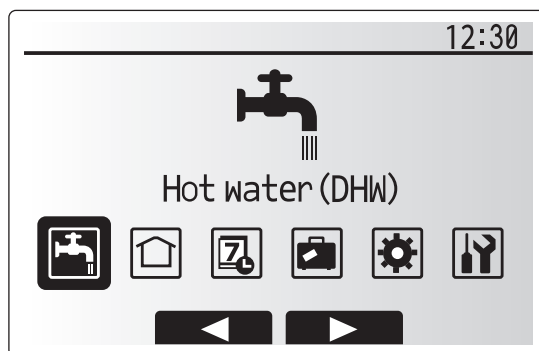
Razina za montera – dugački pritisak

Ako se gumb [MENU] (Izbornik) drži pritisnutim 3 sekunde, prikazat će se glavne postavke s dostupnim svim funkcijama.

Boja gumba ◀▶ će se invertirati kao na desnoj slici. <Sl. 5.7.1>

Sljedeće stavke mogu se prikazati i/ili uređivati (ovisno o razini pristupa).

- [Domestic Hot water (DHW)] (Vruća voda u kućanstvu (DHW))
- [Heating/Cooling] (Grijanje/Hlađenje)
- [Schedule timer] (Programiranje mjerača vremena)
- [Holiday mode] (Način odmora)
- [Initial settings] (Početne postavke)
- [Service (Password protected)] (Servis (Zaštićeno lozinkom))



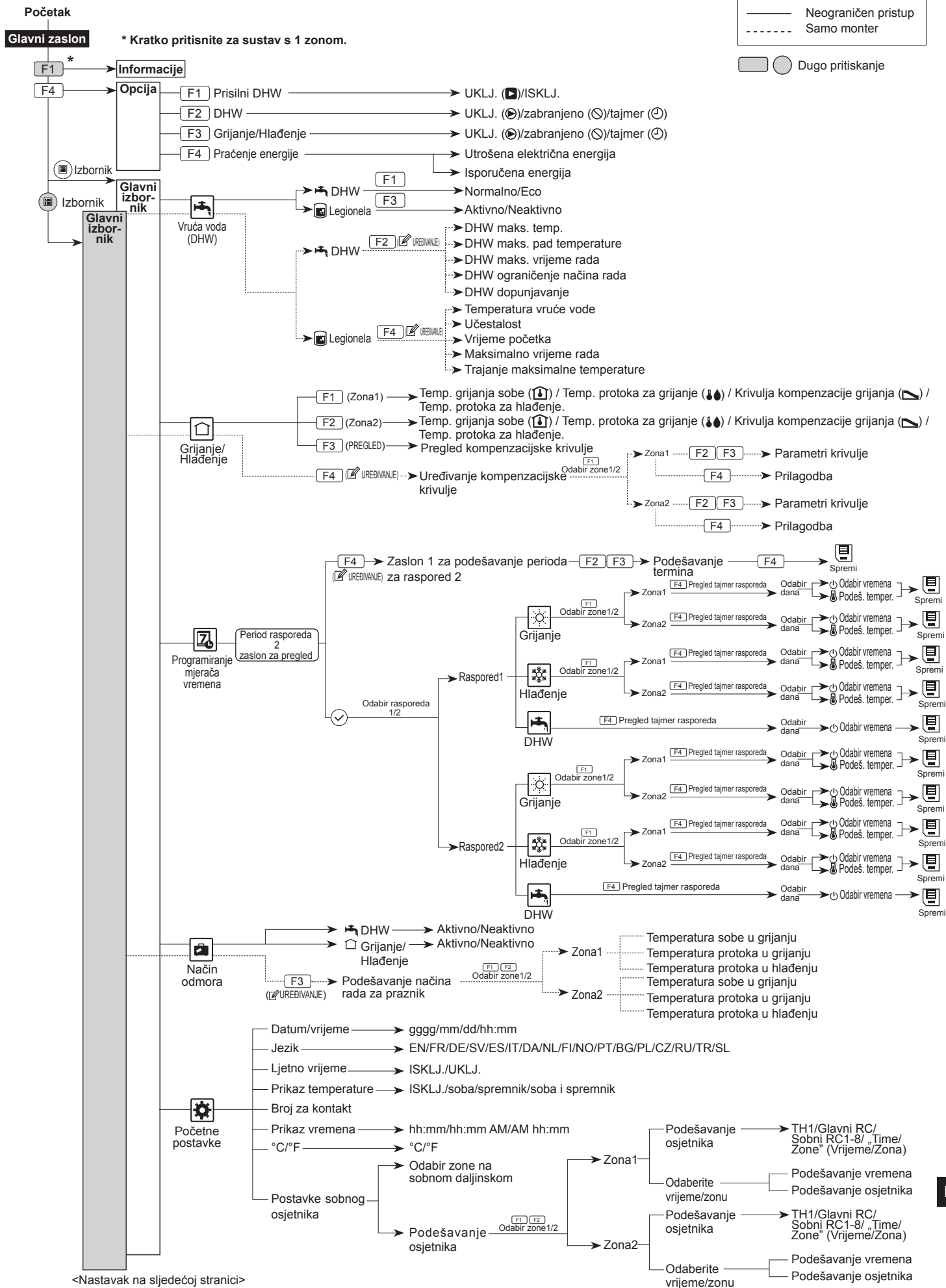
Glavni izbornik



<Sl. 5.7.1>

5 Podešavanje sustava

<Stablo glavnog izbornika upravljača>

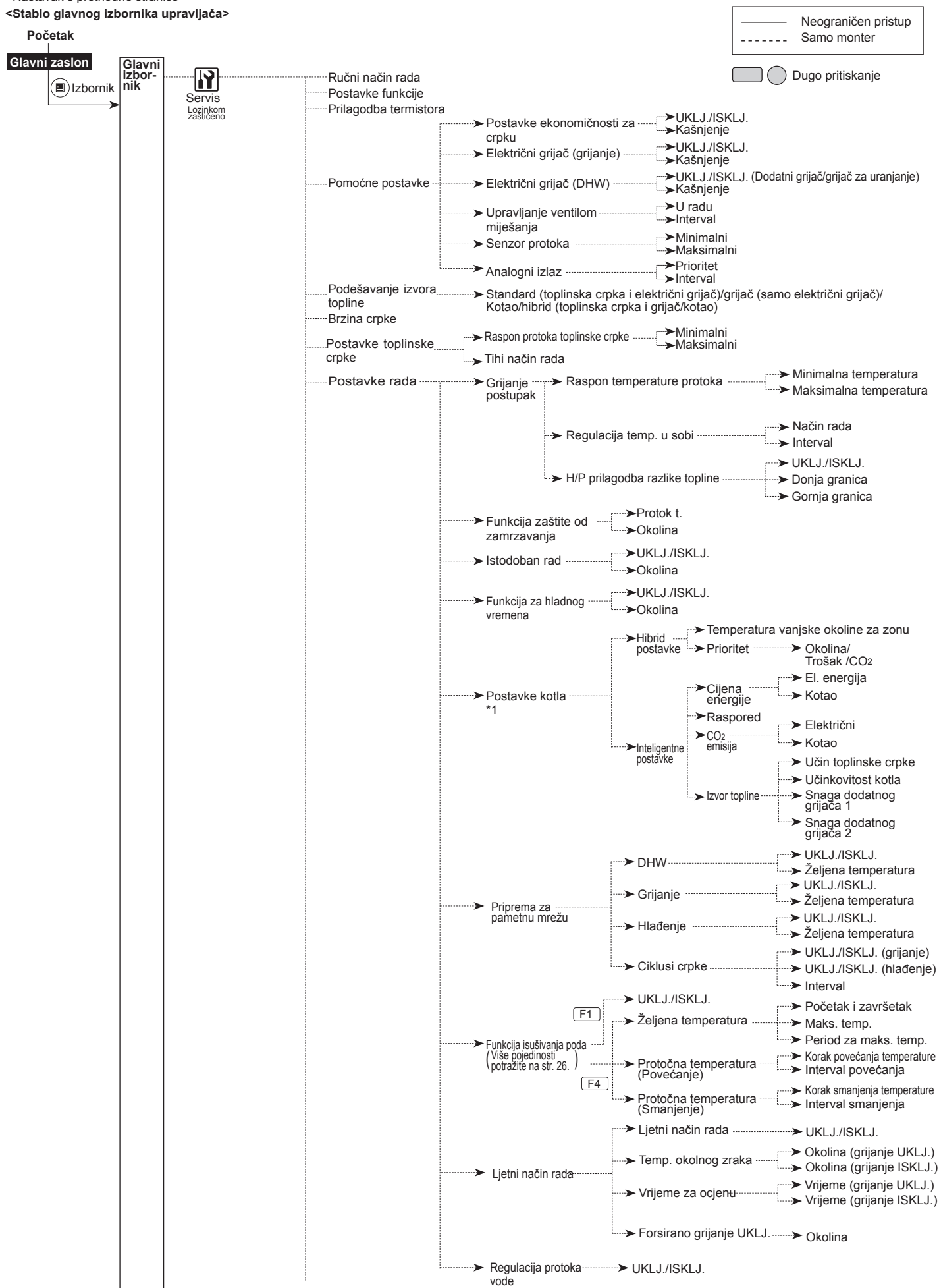


<Nastavak na sljedećoj stranici>

5 Podešavanje sustava

<Nastavak s prethodne stranice>

<Stablo glavnog izbornika upravljača>

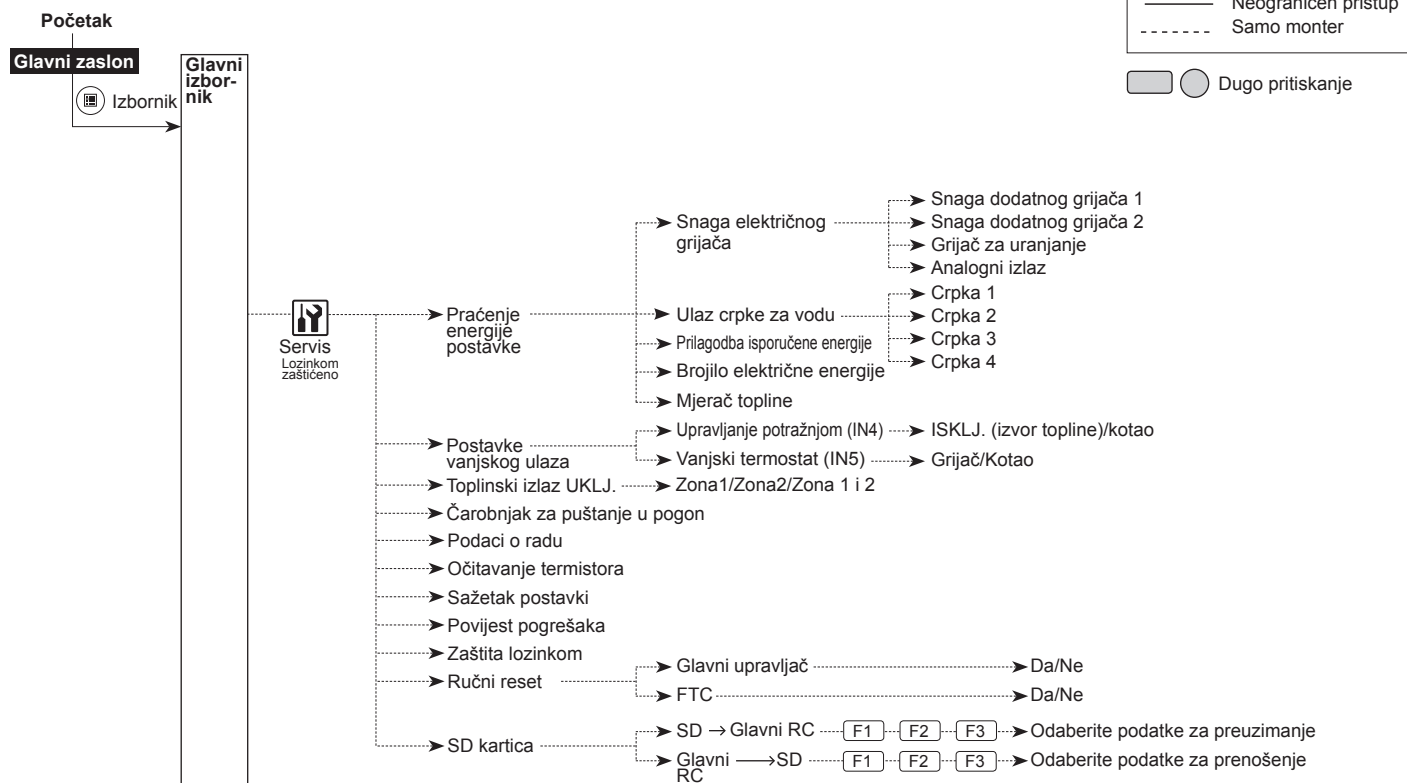


*1 Više pojedinosti potražite u priručniku za ugradnju za PAC-TH012HT-(L)E.

5 Podešavanje sustava

<Nastavak s prethodne stranice>

<Stablo glavnog izbornika upravljača>

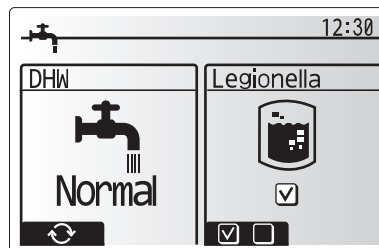


Topla voda u kućanstvu (DHW)/prevencija legionele

Izbornici za toplu vodu u kućanstvu i za prevenciju legionele omogućuju rad i zagrijavanje DHW spremnika.

<Postavke za DHW način rada>

1. Označite ikonu za toplu vodu i pritisnite [CONFIRM] (Potvrdi).
2. Gumbom F1 prebacite se između Normalno i načina ECO grijanja.
3. Ako želite urediti način rada, 3 sekunde držite pritisnutim gumb [MENU] (Izbornik) i zatim odaberite „hot water” (topla voda).
4. Pritisnite tipku F2 za prikaz izbornika [HOTWATER (DHW) SETTING] (Postavke za toplu vodu (DHW)).
5. Tipkama F2 i F3 listajte po izborniku i redom birajte komponente pritiskom na tipku [CONFIRM] (Potvrdi). U donjoj tablici pogledajte opise za svaku postavku.
6. Funkcijskim tipkama unesite željeni broj i zatim pritisnite [CONFIRM] (Potvrdi).



Podnaslov izbornika	Funkcija	Raspon	Jedinica	Zadana vrijednost
DHW maks. temp.	Željena temperatura uskladištene tople vode	40 - 60	°C	50
DHW maks. pad temperature	Razlika između DHW maks. temperature i temperature pri kojoj se pokreće DHW način rada	5 - 30 *	°C	10
DHW maks. vrijeme rada	Maksimalno dopušteno vrijeme za grijanje uskladištene vode u DHW načinu rada	30 - 120	min	60
DHW ograničenje načina rada	Vremenski period poslije DHW načina rada kada grijanje prostora privremeno ima prednost pred DHW načinu rada i onemogućuje grijanje uskladištene vode (Samo kada prođe maksimalno vrijeme DHW načina rada.)	30 - 120	min	30

* Kada je DHW maksimalna temperatura postavljena iznad 55°C, temperatura pri kojoj se ponovno pokreće DHW način rada mora bit niža od 50°C radi zaštite uređaja.

<Eko način rada>

DHW način rada može se odvijati kao „Normalni” ili „Eko” način rada. U normalnom načinu rada voda se u DHW spremniku grije brže uz iskorištenje pune snage toplinske crpke. U ekološkom načinu rada zagrijavanje vode u DHW spremniku traje malo duže ali se koristi manje energije. To je zbog toga što se rad toplinske crpke ograničava s pomoću signala iz FTC na temelju temperature u DHW spremniku.

Bilješka: Stvarna spremljena energija u ekološkom načinu rada razlikovat će se u ovisnosti o temperaturi vanjske okoline.

<[DHW recharge]>(DHW dopunjavanje)

Odaberite veličinu DHW spremnika. Ako trebate puno tople vode, odaberite [LARGE] (Velik), ali povećat troškove rada.

Vratite se na izbornik DHW/Prevencija legionele.

5 Podešavanje sustava

Postavke načina rada za prevenciju legionele (LP način rada)

1. Gumbom F3 odaberite hoće li način rada za prevenciju biti aktivan [YES/NO] (Da/Ne).
2. Ako želite urediti funkciju za legionelu, 3 sekunde držite pritisnutim gumb [MENU] (Izbornik) te zatim odaberite „hot water“ (topla voda) i pritisnite tipku F4.
3. Tipkama F1 i F2 listajte po izborniku i redom birajte podnaslove pritiskom na tipku [CONFIRM] (Potvrdi). U donjoj tablici pogledajte opise za svaku postavku.
4. Funkcijskim tipkama unesite željeni broj i zatim pritisnite [CONFIRM] (Potvrdi).

U načinu rada za prevenciju legionele temperatura pohranjene vode povećat će se iznad 60°C kako bi se onemogućio razvoj bakterija legionele. Snažno preporučujemo da to obavljate u redovitim intervalima. U lokalnim propisima potražite preporučenu učestalost zagrijavanja.

Bilješka: kada dođe do kvara hidroboxa, LP način rada možda neće raditi kao inače.

Podnaslov izbornika	Funkcija	Raspon	Jedinica	Zadana vrijednost
Temperatura vruće vode	Željena temperatura uskladištene tople vode	60–70	°C	65
Učestalost	Vrijeme između zagrijavanja DHW spremnika u LP načinu rada	1–30	dana	15
Vrijeme početka	Vrijeme kada započinje LP način rada	0:00–23:00	-	03:00
Maksimalno vrijeme rada	Maksimalno dozvoljeno vrijeme za zagrijavanje DHW spremnika u LP načinu rada	1–5	sati	3
Trajanje maksimalne temperature	Vremenski period nakon dostizanja željene temperature u LP načinu rada	1–120	min	30

Zapamtite da se u LP načinu rada energija koju daje toplinska crpka dopunjava uz pomoć električnih grijača. Zagrijavanje vode u dužim vremenskim periodima nije učinkovito i povećat će troškove rada. Monter treba dobro razmotriti potrebu postupka za prevenciju legionele kako ne bi rasipao energiju zagrijavanjem uskladištene vode u predugim vremenskim periodima. Krajnji korisnik treba razumjeti važnost te značajke.
USKLADITE SE LOKALNIM I DRŽAVNIM SMJERNICAMA ZA VAŠU ZEMLJU U VEZI PREVENCIJE RAZVOJA LEGIONELE.

[Initial Settings] (Početne postavke)

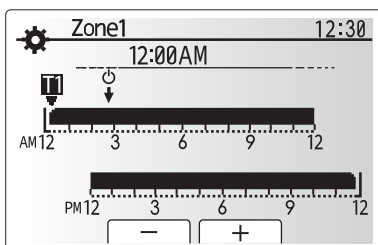
Na izborniku s početnim postavkama monter može podesiti sljedeće.

- [Date/Time] (Datum/Vrijeme) *Obavezno postavite na lokalno standardno vrijeme.
- [Language] (Jezik)
- [Summer time] (Ljetno vrijeme)
- [Temp. display] (Prikaz temperature)
- [Contact number] (Broj za kontakt)
- [Time display] (Prikaz vremena)
- [°C/°F]
- [Room sensor settings] (Postavke sobnog osjetnika)

Detaljniji opis postupka podešavanja potražite u Općenito o radu.

<[Room sensor settings]> (Postavke sobnog osjetnika)

Za postavke sobnog osjetnika važno je odabrati sobni osjetnik prema načinu grijanja u kojemu će sustav raditi.



Zaslon za podešavanje rasporeda vremena/zona

Podnaslov izbornika	Opis																				
Odabir zone na sobnom daljinskom	Kada je aktivna regulacija temperature za 2 zone i kada su dostupni daljinski upravljači, na zaslonu za daljinski odabir zone sobe odaberite broj zone za dodjelu svakom glavnom daljinskom upravljaču.																				
Podešavanje osjetnika	Na zaslonu za podešavanje osjetnika, odaberite osjetnik sobe koji će se koristiti za nadzor temperature sobe zasebno iz zone 1 i zone 2. <table border="1" style="margin-top: 10px;"> <thead> <tr> <th rowspan="2">Mogućnost upravljanja (Priručnik na web stranici)</th> <th colspan="2">Odgovarajuće početne postavke osjetnika sobe</th> </tr> <tr> <th>Zona1</th> <th>Zona2</th> </tr> </thead> <tbody> <tr> <td>A</td> <td>Soba daljinski 1-8 (po jedan za zonu 1 i zonu 2)</td> <td>*1</td> </tr> <tr> <td>B</td> <td>TH1</td> <td>*1</td> </tr> <tr> <td>C</td> <td>Glavni daljinski upravljač</td> <td>*1</td> </tr> <tr> <td>D</td> <td>*1</td> <td>*1</td> </tr> <tr> <td>Kada se koriste različiti sobni osjetnici u skladu s vremenskim rasporedom</td> <td>Vrijeme/zona *2</td> <td>*1</td> </tr> </tbody> </table> <p>*1. Nije propisano (ako se koristi sobni termostat koji se nabavlja lokalno) Soba daljinski 1-8 (po jedan za zonu 1 i zonu 2) (ako kao sobni termostat koristi bežični daljinski upravljač) *2. Na zaslonu za podešavanje osjetnika, odaberite Time/Zone (Vrijeme/Zona) kako biste omogućili korištenje različitih sobnih osjetnika u skladu s vremenskim rasporedom zadanim u izborniku Select Time/ Zone (Odabir vremena/zona). Sobni osjetnik mogu se zamijeniti do 4 puta u vremenu od 24 sata.</p>	Mogućnost upravljanja (Priručnik na web stranici)	Odgovarajuće početne postavke osjetnika sobe		Zona1	Zona2	A	Soba daljinski 1-8 (po jedan za zonu 1 i zonu 2)	*1	B	TH1	*1	C	Glavni daljinski upravljač	*1	D	*1	*1	Kada se koriste različiti sobni osjetnici u skladu s vremenskim rasporedom	Vrijeme/zona *2	*1
Mogućnost upravljanja (Priručnik na web stranici)	Odgovarajuće početne postavke osjetnika sobe																				
	Zona1	Zona2																			
A	Soba daljinski 1-8 (po jedan za zonu 1 i zonu 2)	*1																			
B	TH1	*1																			
C	Glavni daljinski upravljač	*1																			
D	*1	*1																			
Kada se koriste različiti sobni osjetnici u skladu s vremenskim rasporedom	Vrijeme/zona *2	*1																			

[Service] (Servis)

Servisni izbornik pruža funkcije koje može koristiti serviser ili monter. NIJE predviđeno da korisnici u kućanstvu mijenjaju postavke u ovom izborniku. Zbog toga je potrebna zaštita lozinkom kojom se onemogućuje neovlašteni pristup servisnim postavkama.

Tvornički zadana lozinka je „0000“.

Detaljniji opis postupka podešavanja potražite u Općenito o radu.

Mnoge se funkcije ne mogu postaviti dok je unutarnja jedinica u radu. Monter treba isključiti jedinicu prije podešavanja tih funkcija. Ako monter pokuša promijeniti postavke za vrijeme rada unutarnje jedinice, na glavnom daljinskom upravljaču prikazat će se poruka podsjetnika kojom se od korisnika traži da prije nastavka zaustavi rad jedinice. Ako odaberete „Yes“ (Da), jedinica će prestati s radom.

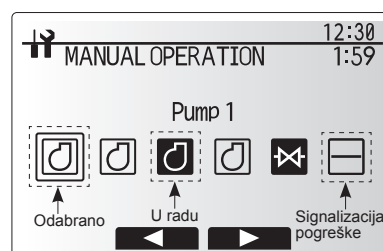
<[Manual operation]> (Ručni način rada)

Za vrijeme punjenja sustava, crpka za cirkulaciju i 3-smjerni ventil mogu se ručno zaobići s pomoću ručnog načina rada.

Kada je odabran ručni način rada, na zaslonu se prikazuje mala ikona tajmera. Kada se odabere, ova će funkcija ostati u ručnom načinu rada najviše 2 sata. Na taj način se onemogućuje trajni zaobilazak FTC.

► Primjer

Pritisnom gumba F3 uključit će se ručni način rada za glavni 3-smjerni ventil. Kada punjenje DHW spremnika bude gotovo, monter treba opet otvoriti taj izbornik i pritisnuti F3 radi deaktiviranja ručnog načina rada tog dijela. U protivnom, nakon 2 sata ručni način rada više neće biti aktivan i FTC će nastaviti upravljati radom jedinice cilindra.



Zaslon izbornika za ručni način rada

5 Podešavanje sustava

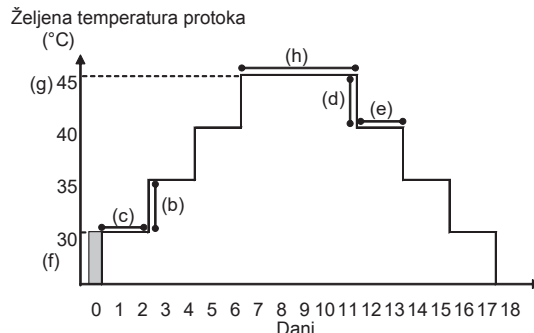
Ručni način rada i postavljanje izvora topline ne mogu se odabrati dok je sustav u radu. Prikazat će se zaslon na kojemu se od montera traži da zaustavi rad sustava prije aktiviranja tih načina rada. Sustav će se automatski zaustaviti 2 sata nakon zadnjeg rada.

<[Floor dry up function]> (Funkcija isušivanja poda)

Funkcija isušivanja poda automatski i postupno mijenja željenu temperaturu tople vode za isušivanje betona nakon ugradnje te vrste sustava podnog grijanja.

Nakon dovršetka rada, sustav će zaustaviti sav rad osim funkcije Freeze stat. (Zaštita od zamrzavanja).

Za funkciju Floor dry up (Isušivanje poda), željena temperatura protoka zone 1 jednaka je kao i za zonu 2.



- Ova funkcija nije dostupna kada je priključena vanjska jedinica PUHZ-FRP.
- Odvojite ožičenje za vanjske ulaze sobnog termostata, upravljanja potražnjom i vanjskog termostata ili se željena protočna temperatura neće moći održavati.

Funkcije	Simbol	Opis	Opcija/Raspon	Jedinica	Zadano
Funkcija isušivanja poda	a	Postavite funkciju na ON (UKLJ.) i uključite sustav na glavnom daljinskom upravljaču i radni postupak za isušivanje će započeti.	Uklj./Isklj.	—	Isklj.
Protočna temperatura (povećanje)	b	Postavlja se korak povećanja željene protočne temperature.	+1 - +10	°C	+5
	c	Postavlja se period u kojemu će se održavati jednaka protočna temperatura.	1 - 7	dana	2
Protočna temperatura (smanjenje)	d	Postavlja se korak smanjenja željene protočne temperature.	-1 - -10	°C	-5
	e	Postavlja se period u kojemu će se održavati jednaka protočna temperatura.	1 - 7	dana	2
Željena temperatura	f	Postavlja se željena protočna temperatura na početku i na završetku rada.	20 - 60	°C	30
	g	Postavlja se maksimalna željena protočna temperatura.	20 - 60	°C	45
	h	Postavlja se period u kojemu će se održavati maksimalna protočna temperatura.	1 - 20	dana	5

<[Password protection]> (Zaštita lozinkom)

Zaštita lozinkom dostupna je radi prevencije neovlaštenog pristupa servisnom izborniku od strane neovlaštenih osoba.

Resetiranje lozinke

Ako ste zaboravili unesenu lozinku ili trebate servisirati jedinicu koju je ugradio netko drugi, lozinku možete resetirati na tvornički zadanu **0000**.

1. Na izborniku s glavnim postavkama listajte kroz funkcije dok ne označite Service Menu (Servisni izbornik).
2. Pritisnite [CONFIRM] (Potvrdi).
3. Od vas će se tražiti da unesete lozinku.
4. Tri sekunde držite istodobno pritisnute gumbе F3 i F4
5. Od vas će se zatražiti da odaberete želite li nastaviti i resetirati lozinku na zadanu vrijednost.
6. Za resetiranje pritisnite gumb F3.
7. Lozinka će se resetirati na **0000**.

<[Manual reset]> (Ručno resetiranje)

Ako u bilo kojem trenutku poželite vratiti tvorničke postavke, trebate se poslužiti funkcijom za ručno resetiranje. Zapamtite da će se time SVE funkcije resetirati na tvornički zadane vrijednosti.



Zaslon za unos lozinke



Zaslon za verifikaciju lozinke

6 Puštanje u pogon

■ Vježbe prije puštanja u pogon - krug pitke vode/DHW

Postupak početnog punjenja:

Pazite da svi cijevni spojevi i priključci budu nepropusni i čvrsti.

Otvorite najudaljeniju DHW slavinu/izlaz.

Polako/postupno otvarajte dovod iz vodovodne mreže za početak punjenja jedinice i cjevovoda DHW.

Pustite da iz najudaljenije slavine voda slobodno isječe i oslobodite/pročistite zaostali zrak iz postrojenja.

Zatvorite slavinu/izlaz kako bi sustav ostao potpuno napunjen.

Bilješka: Kada je ugrađen grijač za uranjanje, NEMOJTE uključivati grijač dok DHW spremnik ne bude pun vode. Također, NEMOJTE uključivati nijedan grijač za uranjanje ako je u DHW spremniku ostalo sredstvo za dezinfekciju jer to će dovesti do preranog kvara grijača.

Postupak početnog ispiranja:

Uključite sustav radi zagrijavanja sadržaja jedinice cilindra na približnu temperaturu od oko 30 - 40°C.

Isperite/ispustite sadržaj vode radi uklanjanja ostataka/nečistoća koje su nastale tijekom radova na ugradnji. Slavinom na jedinici cilindra na siguran način ispuštite zagrijanu vodu u odvod preko prikladnog crijeva.

Po dovršenju za tvorite slavinu, ponovno napunite sustav i nastavite s puštanjem sustava u pogon.

7 Servisiranje i održavanje

■ Kodovi pogreške

Kod	Pogreška	Radnja
L3	Zaštita od pregrijavanja zbog temperature vode za cirkulaciju	Protok može biti ograničen. Provjerite sljedeće: <ul style="list-style-type: none"> • Curenje vode • Začepljenost sita • Funkcija crpke za cirkulaciju vode (kod pogreške može se prikazati za vrijeme punjenja primarnog kruga, dovršite punjenje i poništite kod pogreške.)
L4	Zaštita od pregrijavanja zbog temperature vode DHW spremnika	Provjerite grijač za uranjanje i njegov sklopnik.
L5	Kvar termistora za temperaturu unutarnje jedinice (THW1, THW2, THW5A, THW5B, THW6, THW7, THW8, THW9)	Provjerite otpor termistora.
L6	Zaštita vode za cirkulaciju od smrzavanja	Pogledajte radnju za L3.
L8	Pogreška pri grijanju	Provjerite i opet pričvrstite termistor koji se možda odvojio.
L9	Senzor protoka ili sklopka protoka otkrili su nizak protok u primarnom krugu (sklopke protoka 1, 2, 3)	Pogledajte radnju za L3. Ako osjetnik protoka ili sklopka protoka ne rade, zamijenite ih. Oprez: Ventili crpke mogli bi biti vrući, budite oprezni.
LA	Greška osjetnika tlaka	Provjerite da na kabelu osjetnika tlaka nema oštećenja ili olabavljenih spojeva.
LB	Zaštita od previsokog tlaka	<ul style="list-style-type: none"> • Protok u krugu za grijanje možda će biti smanjen. Provjerite krug za vodu. • Pločasti izmjenjivač topline možda je začepljen. Provjerite pločasti izmjenjivač topline. • Kvar vanjske jedinice. Pogledajte servisni priručnik za vanjsku jedinicu.
LC	Zaštita od pregrijavanja zbog temperature vode za cirkulaciju u kotlu	Provjerite je li postavljena temperatura kotla za grijanje prekoračila graničnu vrijednost. (Pogledajte priručnik za termistore „PAC-TH012HT-E“) Protok u krugu za grijanje iz kotla možda će biti smanjen. Provjerite sljedeće: <ul style="list-style-type: none"> • curenje vode • začepljenost sita • funkcija crpke za cirkulaciju vode
LD	Kvar termistora za temperaturu kotla (THWB1)	Provjerite otpor termistora.
LE	Pogreška u radu kotla	Pogledajte radnju za L8. Provjerite status kotla.
LF	Kvar osjetnika protoka	Provjerite da na kabelu osjetnika protoka nema oštećenja ili olabavljenih spojeva.
LH	Zaštita vode kotla za cirkulaciju od smrzavanja	Protok u krugu za grijanje iz kotla možda će biti smanjen. Provjerite sljedeće: <ul style="list-style-type: none"> • curenje vode • začepljenost sita • funkcija crpke za cirkulaciju vode
LJ	DHW pogreška u radu (vrsta vanjske ploče HEX)	<ul style="list-style-type: none"> • Provjerite da se nije odvojio termistor za temperaturu vode DHW kotla (THW5B). • Protok u krugu za sanitarnu vodu možda će biti smanjen. • Provjerite funkciju crpke za cirkulaciju vode. (primarni/sanitarni)
LL	Pogreška u postavkama DIP sklopki na FTC upravljačkoj ploči	Za rad kotla provjerite da je DIP SW1-1 postavljena na ON (UKLJ.) (s kotlom), a DIP SW2-6 da je postavljena na ON (UKLJ.) (sa spremnikom za miješanje). Za regulaciju temperature u 2 zone, provjerite da je DIP SW2-7 postavljena na ON (UKLJ.) (2 zone), a DIP SW2-6 da je postavljena na ON (UKLJ.) (sa spremnikom za miješanje).
LP	Izvan raspona protoka vode za vanjsku jedinicu toplinske crpke	Provjerite ugradnju u Tablici 4.3.1 Provjerite postavke daljinskog upravljača (Servisni izbornik/raspon protoka toplinske crpke) Pogledajte radnju za L3.
P1	Termistor (sobna temperatura) (TH1) kvar	Provjerite otpor termistora.
P2	Termistor (referentna temperatura tekućine) (TH2) kvar	Provjerite otpor termistora.
P6	Zaštita pločastog izmjenjivača topline od smrzavanja	Pogledajte radnju za L3. Provjerite točnu količinu rashladnog sredstva.
J0	Kvar u komunikaciji između FTC i bežičnog prijemnika	Provjerite da na spojnom kabelu nema oštećenja ili olabavljenih spojeva.
J1 - J8	Kvar u komunikaciji između bežičnog prijemnika i bežičnog daljinskog upravljača	Provjerite da baterija bežičnog daljinskog upravljača nije ispražnjena. Provjerite uparivanje između bežičnog prijemnika i bežičnog daljinskog upravljača. Provjerite bežičnu komunikaciju. (Pogledajte priručnik bežičnog sustava)
E0 - E5	Kvar u komunikaciji između daljinskog upravljača i FTC	Provjerite da na spojnom kabelu nema oštećenja ili olabavljenih spojeva.
E6 - E8	Kvar u komunikaciji između FTC i vanjske jedinice	Provjerite da vanjska jedinica nije isključena. Provjerite da na spojnom kabelu nema oštećenja ili olabavljenih spojeva. Pogledajte servisni priručnik za vanjsku jedinicu.
E9	Vanjska jedinica ne prima signal s unutarnje jedinice.	Provjerite jesu li obje jedinice uključene. Provjerite da na spojnom kabelu nema oštećenja ili olabavljenih spojeva. Pogledajte servisni priručnik za vanjsku jedinicu.
EE	Pogreška u komunikaciji između FTC i vanjske jedinice	Provjerite kombinaciju FTC i vanjske jedinice.
U*, F*	Kvar vanjske jedinice	Pogledajte servisni priručnik za vanjsku jedinicu.
A*	M-NET pogreška u komunikaciji	Pogledajte servisni priručnik za vanjsku jedinicu.

Bilješka: ako želite poništiti kodove pogreške, isključite sustav (pritisnite gumb F4 (RESET) na glavnom daljinskom upravljaču).

7 Servisiranje i održavanje

Godišnje održavanje

Važno je da kvalificirana osoba servisira jedinicu cilindra barem jednom godišnje. Svi potrebni dijelovi trebaju se kupiti od Mitsubishi Electric. NIKADA ne zaobilazite sigurnosne uređaje i ne upotrebljavajte jedinicu ako oni nisu u potpunoj funkciji. Više pojedinosti pronađite u servisnom priručniku.

Napomena

- Nakon nekoliko prvih mjeseci rada poslije ugradnje, uklonite i očistite sito jedinice cilindra i dodatne dijelove filtra koji su ugrađeni izvan jedinice cilindra. To je osobito važno kada se ugrađuje stari/postojeći sustav cjevovoda.
- PRV ventil i T&P ventil (br. 8, 20 i 21 na slici 3.1) treba se provjeriti jednom godišnje ručnim okretanjem ručice tako da se medij isprazni, čime će se očistiti dosjed brtve.

Pored godišnjeg servisiranja, potrebno je zamijeniti ili pregledati neke dijelove nakon određenog vremena rada sustava. Detaljne upute potražite u donjim tablicama. Zamjenu i pregled dijelova treba obaviti stručna osoba s odgovarajućom obukom i kvalifikacijama.

Dijelovi koje treba redovito mijenjati

Dijelovi	Period zamjene	Mogući kvarovi
Ventil za regulaciju tlaka (PRV) Manometar Upravljačka grupa ulaza (ICG)*	6 godina	Curenje vode

* OPCIONI DIJELOVI za UK

Dijelovi koje treba redovito pregledavati

Dijelovi	Učestalost provjere	Mogući kvarovi
Ventil za regulaciju tlaka (3 bara) Temperatura i sigurnosni tlačni ventil	1 godina (ručno okretanje ručice)	PRV bi bio fiksiran i ekspanzijska posuda bi eksplodirala
Grijač za uranjanje	2 godine	Dozemni spoj koji uzrokuje aktiviranje prekidača kruga (grijač je uvijek isključen)
Crpka za cirkulaciju vode (Primarni krug)	20.000 sati (3 godine)	Kvar crpke za cirkulaciju vode

Dijelovi koji se NE SMIJU ponovno koristiti prilikom servisiranja

* O-prsten

* Brtvilo

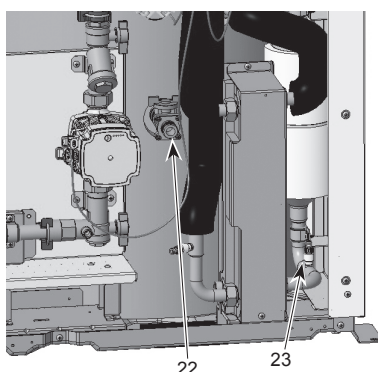
Bilješka:

- Zamijenite brtvu crpke novom pri svakom redovitom održavanju (svakih 20.000 sati rada ili svake tri godine).

<Pražnjenje jedinice cilindra i njegovog kruga za grijanje sanitarne vode (lokalno)>

UPOZORENJE: ISPUŠTENA VODA MOŽE BITI VROUČA

1. Prije nego što pokušate isprazniti jedinicu cilindra, odvojite ga od električnog napajanja kako bi se spriječilo dodatnog grijača i grijača za uranjanje.
2. Zatvorite dovod hladne vode u spremnik DHW.
3. Otvorite slavinu za toplu vodu da omogućite ispuštanje bez stvaranja vakuuma.
4. Pričvrstite crijevo na slavine za pražnjenje DHW spremnika tank (br. 22 i 23 na slici 7.1). Crijevo treba moći podnijeti toplinu jer voda koja se ispušta može biti vrlo vruća. Crijevo se treba prazniti na mjesto koje je niže od donjeg dijela DHW spremnika čime se omogućuje sifoniranje. Započnite ispuštanje otvaranjem slavine.
5. Kada se DHW spremnik isprazni, zatvorite ventil za pražnjenje i vruću slavinu.
6. Za primarni krug, pričvrstite crijevo na slavine za pražnjenje kruga vode (br. 6 na slici 3.1). Crijevo treba moći podnijeti toplinu jer voda koja se ispušta može biti vrlo vruća. Crijevo se treba prazniti na mjesto koje je niže od slavine za ispuštanje čime se omogućuje sifoniranje. Otvorite ventile crpke i ventile sita.
7. Voda će ostati u situ čak i kada jedinica cilindra bude ispražnjena. Ispraznite sitom uklanjanjem poklopca sita.



<Slika 7.1>

7 Servisiranje i održavanje

Obrasci za tehničare

Ako se zadane postavke trebaju promijeniti, unesite i zabilježite novu postavku u stupcu „Podešavanje na terenu”. Time će se olakšati resetiranje ubuduće ako se korisnik sustava promijeni ili ako je potrebno zamijeniti pločicu kruga.

List za evidenciju puštanja u pogon/postavki na terenu

Zaslon glavnog daljinskog upravljača		Parametri	Zadana postavka	Terenska postavka	Bilješke		
Glavni	Temperatura sobe u grijanju za zonu 1		10°C - 30°C	20°C			
	Temperatura sobe u grijanju za zonu 2 *12		10°C - 30°C	20°C			
	Temperatura protoka u grijanju za zonu 1		20°C - 60°C	45°C			
	Temperatura protoka u grijanju za zonu 2 *1		20°C - 60°C	35°C			
	Temperatura protoka u hlađenju za zonu 1 *13		5°C - 25°C	15°C			
	Temperatura protoka u hlađenju za zonu 2 *13		5°C - 25°C	20°C			
	Kompenzacijska krivulja grijanja za zonu 1		-9°C - + 9°C	0°C			
	Kompenzacijska krivulja grijanja za zonu 2 *1		-9°C - + 9°C	0°C			
	Način odmora		Aktivno/Neaktivno/Postavljeno vrijeme	—			
Opcija	Prisilni DHW rad		Uklj./Isklj.	—			
	DHW		Uklj./Isklj./Tajmer	Uklj.			
	Grijanje/Hlađenje *13		Uklj./Isklj./Tajmer	Uklj.			
	Praćenje energije		Potrošena električna energija/Isporučena energija	—			
Podešavanje	DHW	Način rada	Normalno/Eco *15	Normalno			
		DHW maks. temp.	40°C - 60°C *2	50°C			
DHW pad temperature		5°C - 30°C	10°C				
DHW maks. vrijeme rada		30 - 120 min	60 min				
DHW ograničenje načina rada		30 - 120 min	30 min				
DHW dopunjavanje		Veliki/Standardni	Standardno				
Prevenција legionele		Aktivno	Da/Ne	Da			
	Temperatura vruće vode	60°C - 70°C *2	65°C				
	Učestalost	1 - 30 dana	15 dana				
	Vrijeme početka	0:00 - 23:00	03:00				
	Maksimalno vrijeme rada	1 - 5 sati	3 sata				
	Trajanje maksimalne temperature	1 - 120 min	30 min				
Grijanje/Hlađenje *13	Način rada za zonu 1		Temperatura sobe u grijanju / Temperatura protoka u grijanju / Kompenzacijska krivulja za grijanje / temperatura protoka u hlađenju	Temperatura sobe			
	Način rada za zonu 2 *1		Temperatura sobe u grijanju / Temperatura protoka u grijanju / Kompenzacijska krivulja za grijanje / temperatura protoka u hlađenju	Kompenzacijska krivulja			
Kompenzacijska krivulja	Visoka temperatura protoka, zadana vrijednost	Temperatura vanjske okoline za zonu 1	-30°C - +33°C *3	-15°C			
		Temperatura protoka u zoni 1	20°C - 60°C	50°C			
		Temperatura vanjske okoline za zonu 2 *1	-30°C - +33°C *3	-15°C			
		Temperatura protoka u zoni 2 *1	20°C - 60°C	40°C			
	Niska temperatura protoka, zadana vrijednost	Temperatura vanjske okoline za zonu 1	-28°C - +35°C *4	35°C			
		Temperatura protoka u zoni 1	20°C - 60°C	25°C			
		Temperatura vanjske okoline za zonu 2 *1	-28°C - +35°C *4	35°C			
		Temperatura protoka u zoni 2 *1	20°C - 60°C	25°C			
	Prilagodba	Temperatura vanjske okoline za zonu 1	-29°C - +34°C *5	—			
		Temperatura protoka u zoni 1	20°C - 60°C	—			
		Temperatura vanjske okoline za zonu 2 *1	-29°C - +34°C *5	—			
		Temperatura protoka u zoni 2 *1	20°C - 60°C	—			
Praznik	DHW		Aktivno/Neaktivno	Neaktivno			
	Grijanje/Hlađenje *13		Aktivno/Neaktivno	Aktivno			
	Temperatura sobe u grijanju za zonu 1		10°C - 30°C	15°C			
	Temperatura sobe u grijanju za zonu 2 *12		10°C - 30°C	15°C			
	Temperatura protoka u grijanju za zonu 1		20°C - 60°C	35°C			
	Temperatura protoka u grijanju za zonu 2 *1		20°C - 60°C	25°C			
	Temperatura protoka u hlađenju za zonu 1 *13		5°C - 25°C	25°C			
	Temperatura protoka u hlađenju za zonu 2 *13		5°C - 25°C	25°C			
	Jezik		EN/FR/DE/SV/ES/IT/DA/NL/FI/NO/PT/BG/PL/CZ/RU/TR/SL	EN			
Početne postavke	°C/°F		°C/°F	°C			
	Ljetno vrijeme		Uklj./Isklj.	Isklj.			
	Prikaz temperature		Soba/DHW spremnik/Soba i DHW spremnik/Isklj.	Isklj.			
	Prikaz vremena		hh:mm/HH:mm AM/AM hh:mm	hh:mm			
	Postavke osjetnika sobe za zonu 1		TH1/Glavni daljinski/Soba RC1-8/„Time/Zone” (Vrijeme/Zona)	TH1			
	Postavke sobnog osjetnika za zonu 2 *1		TH1/Glavni daljinski/Soba RC1-8/„Time/Zone” (Vrijeme/Zona)	TH1			
	Odabir zone na sobnom daljinskom *1		Zona1/Zona2	Zona1			
	Servisni izbornik	Prilagodba termistora	THW1	-10°C - +10°C	0°C		
			THW2	-10°C - +10°C	0°C		
			THW5A	-10°C - +10°C	0°C		
THW5B			-10°C - +10°C	0°C			
THW6			-10°C - +10°C	0°C			
THW7			-10°C - +10°C	0°C			
THW8			-10°C - +10°C	0°C			
THW9			-10°C - +10°C	0°C			
THW10			-10°C - +10°C	0°C			
THWB1			-10°C - +10°C	0°C			
Pomoćne postavke			Postavke ekonomičnosti za crpku.		Uklj./Isklj. *6	Uklj.	
		Odgoda (3 - 60 min)			10 min		
		Električni grijač (Grijanje)	Grijanje prostora: Uklj. (koristi se)/Isklj. (ne koristi se)		Uklj.		
			Tajmer za odgodu električnog grijača (5 - 180 min)			30 min	
		Električni grijač (DHW)	Dodatni grijač	DHW: Uklj. (koristi se)/Isklj. (ne koristi se)		Uklj.	
				Grijač za uranjanje		DHW: Uklj. (koristi se)/Isklj. (ne koristi se)	Uklj.
			Tajmer za odgodu električnog grijača (15 - 30 min)			15 min	
		Upravljanje ventilom miješanja	U radu (10 - 240 s)			120 s	
			Interval (1 - 30 min)			2 min	
Senzor protoka *17			Minimalno (0 - 100 L/min)			5 L/min	
	Maksimalno (0 - 100 L/min)			100 L/min			
Analogni izlaz	Interval (1 - 30 min)			5 min			
	Prioritet (Normalan/Visok)			Normalan			

(Nastavak na sljedećoj stranici.)

7 Servisiranje i održavanje

■ Obrasci za tehničare

List za evidenciju puštanja u pogon/postavki na terenu (nastavak s prethodne stranice)

Zaslonski glavni daljinski upravljač				Parametri		Zadana postavka	Terenska postavka	Bilješke				
Podešavanje	Servisni izbornik	Brzina crpke		DHW	Brzina crpke (1 - 5)	5						
				Grijanje/Hlađenje	Brzina crpke (1 - 5)	5						
		Podešavanje izvora topline			Standardno/Grijač/Kotao/Hibrid *7	Standardno						
		Podešavanje toplinske crpke		Raspon protoka toplinske crpke		Minimalno (0 - 100 L/min)	5 L/min					
						Maksimalno (0 - 100 L/min)	100 L/min					
				Tihi način rada		Dan (Pon - Ned)	—					
						Vrijeme	0:00 - 23:45					
						Tiha razina (Normalno/Razina1/Razina2)	Normalno					
		Postavke rada		Grijanje *8	Raspon temperature protoka *10		Min. temp. (20 - 45°C)	30°C				
					Regulacija temp. u sobi *14		Maks. temp. (35 - 60°C)	50°C				
					Podešavanje term. razlike toplinske crpke		Način rada (Normalan/Brzi)	Normalan				
						Interval (10 - 60 min)	10 min					
						Uklj./Isklj. *6	Uklj.					
						Donja granica (-9 - -1°C)	-5°C					
						Gornja granica (+3 - +5°C)	5°C					
				Funkcija zaštite od zamrzavanja *11		Temperatura vanjske okoline za zonu (3 - 20°C) / **	5°C					
				Istodobni rad (DHW/grijanje)		Uklj./Isklj. *6	Isklj.					
						Temperatura vanjske okoline za zonu (-30 - +10°C) *3	-15°C					
				Funkcija za hladno vreme		Uklj./Isklj. *6	Isklj.					
						Temperatura vanjske okoline za zonu (-30 - -10°C) *3	-15°C					
		Rad kotla		Hibridne postavke		Temperatura vanjske okoline za zonu (-30 - +10°C) *3		-15°C				
						Način prioriteta (Okolina/Trošak/CO ₂) *16		Okolina				
						Povećanje temperatura vanjske okoline (+1 - +5°C)		+3°C				
				Inteligentne postavke		Cijena energije *9		El. energija (0,001 - 999 */kWh)	0,5 */kWh			
								Kotao (0,001 - 999 */kWh)	0,5 */kWh			
						Emisija CO ₂		El. energija (0,001 - 999 kg -CO ₂ /kWh)		0,5 kg -CO ₂ /kWh		
								Kotao (0,001 - 999 kg -CO ₂ /kWh)		0,5 kg -CO ₂ /kWh		
				Izvor topline		Kapacitet toplinske crpke (1 - 40 kW)		11,2 kW				
						Učinkovitost kotla (25 - 150%)		80%				
						Snaga dodatnog grijača 1 (0 - 30 kW)		2 kW				
		Snaga dodatnog grijača 2 (0 - 30 kW)				4 kW						
		Priprema za pametnu mrežu		DHW		Uklj./Isklj.	Isklj.					
Grijanje				Željena temperatura (+1- +20°C) / -- (nije aktivno)		--						
				Uklj./Isklj.		Isklj.						
				Željena temperatura		Preporuka za uključivanje (20 - 60°C)	50°C					
						Naredba za uključivanje (20 - 60°C)	55°C					
Hlađenje				Uklj./Isklj.		Isklj.						
				Željena temperatura		Preporuka za uključivanje (5 - 25°C)	15°C					
						Naredba za uključivanje (5 - 25°C)	10°C					
Ciklusi crpke		Grijanje (Uklj./Isklj.)		Uklj.								
		Hlađenje (Uklj./Isklj.)		Uklj.								
		Interval (10-120 min)		10 min								
Funkcija isušivanja poda		Uklj./Isklj. *6		Uklj.								
		Željena temperatura		Početak i završetak (20 - 60°C)		30°C						
				Maks. temp. (20 - 60°C)		45°C						
		Protočna temperatura (Povećanje)		Period maks. temp. (1 - 20 dana)		5 dana						
				Korak povećanja temp. (+1 - +10°C)		+5°C						
		Protočna temperatura (Smanjenje)		Interval povećanja (1 - 7 dana)		2 dana						
Korak smanjenja temp. (-1 - -10°C)				-5°C								
		Interval smanjenja (1 - 7 dana)		2 dana								
Ljetni način rada		Uklj./Isklj.		Isklj.								
		Temperatura vanjske okoline za zonu		Grijanje UKLJ. (4-19°C)		10°C						
				Grijanje ISKLJ. (5-20°C)		15°C						
		Vrijeme za ocjenu		Grijanje UKLJ. (1-48 sati)		6 sati						
				Grijanje ISKLJ. (1-48 sati)		6 sati						
		Forsirano uklj. grijanja (-30 - 10°C)		5°C								
Regulacija protoka vode		Uklj./Isklj.		Isklj.								

(Nastavak na sljedećoj stranici.)

7 Servisiranje i održavanje

■ Obrasci za tehničare

List za evidenciju puštanja u pogon/postavki na terenu (nastavak s prethodne stranice)

Zaslon glavnog daljinskog upravljača				Parametri	Zadana postavka	Terenska postavka	Bilješke
Servisni izbornik	Postavke nadzora energije	Snaga električnog grijača	Snaga dodatnog grijača 1	0 - 30 kW	2 kW		
			Snaga dodatnog grijača 2	0 - 30 kW	4 kW		
			Snaga grijača za uranjanje	0 - 30 kW	0 kW		
			Analogni izlaz	0 - 30 kW	0 kW		
		Prilagodba isporučene energije		-50 - +50%	0%		
		Ulaz crpke za vodu	Crpka 1	0 - 200 W ili ***(tvornički ugrađena crpka)	***		
			Crpka 2	0 - 200 W	0 W		
			Crpka 3	0 - 200 W	0 W		
			Crpka 4	0 - 200 W	72 W		
		Brojilo električne energije		0,1/1/10/100/1000 impulsa/kWh	1 impuls/kWh		
	Mjerač topline		0,1/1/10/100/1000 impulsa/kWh	1 impuls/kWh			
	Postavke vanjskog ulaza	Upravljanje potražnjom (IN4)		ISKLJ. izvora topline / rad kotla	Rad kotla		
		Vanjski termostat (IN5)		Rad grijača / rad kotla	Rad kotla		
		Toplinski izlaz UKLJ.		Zona1/Zona2/Zona 1 i 2	Zona 1 i 2		

*1 Postavke vezane za zonu 2 mogu se promijeniti samo kada je omogućena regulacija temperature za 2 zone (kada su DIP SW2-6 i SW2-7 ON (UKLJ.)).

*2 Za model s dodatnim grijačem i grijačem za uranjanje možda se neće moći dostići zadana temperatura ovisno o temperaturi vanjske okoline.

*3 Donja granica je -15°C ovisno o spojenoj vanjskoj jedinici.

*4 Donja granica je -13°C ovisno o spojenoj vanjskoj jedinici.

*5 Donja granica je -14°C ovisno o spojenoj vanjskoj jedinici.

*6 On: funkcija je aktivna; Off: funkcija je neaktivna.

*7 Kada je DIP SW1-1 postavljen na OFF „WITHOUT Boiler“ (BEZ kotla) ili kada je SW2-6 postavljen na OFF „WITHOUT Mixing tank“ (BEZ kotla za miješanje), neće se moći odabrati ni Boiler (Kotao) ni Hybrid (Hibrid).

*8 Vrijedi samo kada radi u načinu rada za regulaciju sobne temperature.

*9 „**“ od „*/kWh“ predstavlja novčanu jedinicu (npr. €, £ ili nešto treće)

*10 Vrijedi samo kada radi u načinu rada za sobnu temperaturu u grijanju.

*11 Ako se odabere zvjezdica (**), deaktivirat će se funkcija zaštite od zamrzavanja. (tj. opasnost od smrzavanja primarne vode)

*12 Postavke vezane za zonu 2 mogu se promijeniti samo kada je aktivna regulacija temperature za 2 zone ili kada je aktivan ventil za regulaciju uključivanjem/isključivanjem za 2 zone.

13 Postavke za način hlađenja dostupne su samo za model ER.

*14 Kada je DIP SW5-2 postavljen na OFF, funkcija je aktivna.

*15 Kada je jedinica cilindra spojena na vanjsku jedinicu PUMY-P, način rada je fiksiran na „Normalno“.

*16 Kada je jedinica cilindra spojena na vanjsku jedinicu PUMY-P, način rada je fiksiran na „Ambient“ (Okolina).

*17 Nemojte mijenjati postavku jer je postavljane u skladu sa specifikacijama osjetnika protoka pričvršćenog na jedinici cilindra.

1. Bezbednosne napomene	2
2. Uvod.....	3
3. Tehničke Informacije	4
4. Ugradnja	10
4.1 Lokacija.....	10
4.2 Kvalitet vode i Priprema sistema.....	11
4.3 Vodovodne instalacije	11
4.4 Električni priključak	14
5. Podešavanje sistema	16
5.1 DIP Prekidač	16
5.2 Povezivanje ulaza/izlaza.....	17
5.3 Ožičenje 2-zonske kontrole temperature.....	18
5.4 Rad unutrašnje jedinice (tokom montaže).....	19
5.5 Pametna mreža.....	19
5.6 Upotreba SD memorijske kartice.....	19
5.7 Glavni daljinski upravljač.....	20
6. Puštanje u rad.....	26
7. Servisiranje i održavanje	27

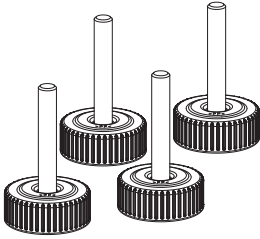
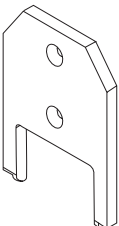
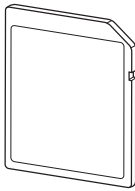



<http://www.mitsubishielectric.com/ldg/ibim/>

Ako želite više informacija koje nisu napisane u ovom uputstvu, idite na gore navedenu veb-stranicu da biste preuzeli uputstva, odaberite naziv modela, a zatim odaberite jezik.

Sadržaj uputstva na veb-stranici

- Praćenje energije
- Odgovarajući delovi (detalji)
- Šema kola vode (170 L)
- Sobni termostat
- Punjenje sistema
- Jednostavan 2-zonski sistem
- Nezavisni izvor električne energije
- Pametna mreža
- Opcije daljinskog upravljača
- Servisni meni (specijalna podešavanja)
- Dodatne informacije

Dodatna oprema (uračunato)			
Podeseive noge	Boss alat za potapanje grejača	SD memorijska kartica	Bakarni uložak za DHW cevi
	Samo model EHPT20X-MHEDW 		
4	1	1	2

Skraćenice i rečnik

Br.	Skraćenice/reč	Opis
1	Režim kompenzacije krive	Grejanje prostora koje obuhvata kompenzaciju spoljne temperature okoline
2	COP	Koeficijent performansi (Coefficient of Performance) za efikasnost toplotne pumpe
3	Jedinica cilindra	Unutrašnji neventilirani rezervoar tople vode u domaćinstvu (DHW) i komponentni vodovodni delovi
4	Režim DHW	Režim grejanja tople vode u domaćinstvu (Domestic hot water) za tuševе, umivaonike itd.
5	Temperatura protoka	Temperatura pri kojoj se voda isporučuje u primarno kolo
6	Funkcija zaštite od zamrzavanja	Rutina kontrole grejanja za sprečavanje zamrzavanja cevi sa vodom
7	FTC	Regulator temperature protoka (Flow temperature controller), štampana ploča zadužena za regulaciju sistema
8	Režim grejanja	Grejanje prostora preko radijatora ili podnog grejanja
9	Legionella	Bakterije koje mogu da nastanjuju vodovod, tuševе i rezervoare za vodu a koje mogu izazvati bolest legionara
10	Režim LP	Reži sprečavanja Legionella (Legionella prevention) - funkcija na sistemima sa rezervoarima za vodu za sprečavanje rasta bakterije legionella
11	Pakovani model	Pločasti izmenjivač toplote (rashladno sredstvo - voda) u spoljašnjoj jedinici toplotne pumpe
12	PRV	Ventil za regulaciju pritiska
13	Povratna temperatura	Temperatura pri kojoj se voda isporučuje iz primarnog kola
14	Deljeni model	Pločasti izmenjivač toplote (rashladno sredstvo - voda) u unutrašnjoj jedinici
15	TRV	Termostatski ventil radijatora (Thermostatic radiator valve) - ventil na ulazu ili izlazu panela radijatora za kontrolu toplotne snage
16	Režim hlađenja	Hlađenje prostora preko zavojnica ili podnog hlađenja

1 Bezbednosne napomene

Molimo pažljivo pročitajte sledeće mere opreza.





⚠ UPOZORENJE:
Mere opreza koje se moraju poštovati da bi se sprečile povrede ili smrt.

⚠ PAŽNJA:
Mere opreza koje se moraju poštovati da bi se sprečilo oštećenje jedinice.

Ovo uputstvo za ugradnju zajedno sa uputstvom za upotrebu treba da ostane uz proizvod nakon ugradnje za buduću upotrebu.
Mitsubishi Electric nije odgovoran za greške lokalnih distributera.

- Obavezno raditi periodično održavanje.
- Obavezno poštujte lokalne propise.
- Obavezno poštujte uputstva data u ovom priručniku.

ZNAČENJA SIMBOLA KOJI SE PRIKAŽUJU NA JEDINICI

	UPOZORENJE (Opasnost od požara)	Ova oznaka je samo za R32 rashladno sredstvo. Tip rashladnog sredstva je napisan na pločici spoljašnje jedinice. U slučaju da je tip rashladnog sredstva R32, ova jedinica koristi zapaljivo rashladno sredstvo. Ako rashladno sredstvo procuri i dođe u kontakt sa vatrom ili grejnim delom, to će stvoriti štetan gas i postoji opasnost od požara.
		Pažljivo pročitajte UPUTSTVO ZA UPOTREBU pre upotrebe.
		Od servisnog osoblja se zahteva da pažljivo pročitaju UPUTSTVO ZA UPOTREBU i UPUTSTVO ZA UGRADNJU pre upotrebe.
		Dotadne informacije su dostupne u UPUTSTVU ZA UPOTREBU, UPUTSTVU ZA UGRADNJU i slično.

⚠ ⚠ UPOZORENJE

Mehaničko

Jedinica cilindra i spoljašna jedinica ne smeju biti ugrađivane, demontirane, premeštane, prepravljane ili popravljane od strane korisnika. Pitajte ovlašćenog montera ili tehničara. Ako je uređaj nepravilno ugrađen ili modifikovan nakon ugradnje, može doći do curenja vode, strujnog udara ili požara.

Spoljašnja jedinica mora biti bezbedno pričvršćena za tvrdi površinu koja može nositi njenu težinu.

Jedinica cilindra treba biti postavljena na tvrdi površinu koja može izdržati njenu težinu kada je napunjena da bi se sprečio preteran zvuk ili vibracije.

Ne postavljati nameštaj ili električne aparate ispod spoljašnje jedinice ili jedinice cilindra.

Izlazni cevovod iz uređaja za hitne slučajeve na jedinici cilindra treba da bude ugrađen u skladu sa lokalnim zakonom.

Koristiti samo ovlašćenu opremu i rezervne delove od strane Mitsubishi Electric-a i zatražiti montažu od kvalifikovanog tehničara.

Električno

Sve električne radove treba da obavlja kvalifikovani tehničar u skladu sa lokalnim propisima i instrukcijama datim u ovom uputstvu.

Jedinice se moraju napajati pomoću namenskog napajanja i moraju se koristiti ispravni prekidači napona i strujnog kola.

Ožičenje treba da bude u skladu sa nacionalnim propisima o ožičenju. Priključci moraju biti obezbeđeni i bez napetosti na terminalima.

Ispravno uzemljite jedinicu.

Opšte

Držati decu i kućne ljubimce dalje od jedinice cilindra i spoljašnje jedinice.

Toplu vodu koju proizvodi toplotna pumpa ne koristiti direktno za piće ili kuvanje. Može ugroziti zdravlje korisniku.

Nemojte stajati na jedinici niti se naginjati na jedinicu.

Ne dodirujte prekidače vlažnim rukama.

Godišnja održavanja na jedinici cilindra i spoljašnjoj jedinici treba obaviti kvalifikovana osoba.

Nemojte stavljati posude s tečnostima na jedinicu cilindra. Ako tečnost iz njih iscuri ili se prolje na jedinicu cilindra, jedinica se može oštetiti i može doći do požara.

Nemojte stavljati teške predmete na jedinicu cilindra.

Priključivanje, premeštanje ili servisiranje jedinice cilindra, za punjenje rashladne linije koristite isključivo navedeno rashladno sredstvo toplotnih pumpi. Ne mešajte ga s nekim drugim rashladnim sredstvom i ne dozvolite da vazduh ostane u vodovima. Ako se vazduh izmeša sa rashladnim sredstvom, to može uzrokovati neuobičajeno visok pritisak u rashladnom vodu i može dovesti do eksplozije i drugih opasnosti.

Upotreba bilo kog rashladnog sredstva osim onog navedenog za konkretan sistem uzrokuje mehanički kvar ili kvar sistema ili prekid rada jedinice. U najgorem slučaju, to bi moglo da dovede do ozbiljnih smetnji u osiguranju bezbednosti proizvoda.

Da biste u režimu grejanja izbegli oštećenje emitera toplote zbog prevruće vode, postavite ciljnu temperaturu protoka na minimalno 2°C ispod maksimalne dozvoljene temperature svih emitera toplote. Za Zonu2 postavite ciljnu temperaturu protoka na minimalno 5°C ispod maksimalne dozvoljene temperature svih emitera toplote u kolu Zone2.

Nemojte instalirati jedinicu tamo gde zapaljivi gasovi mogu da procure, nastanu, protiču ili da se akumuliraju. Ako se oko jedinice nakupi zapaljivi gas, može doći do požara ili eksplozije.

Ne koristite sredstva za ubrzanje procesa odmrzavanja ili za čišćenje, osim onih koje preporučuje proizvođač.

Uređaj treba skladištiti u prostoriji gde nema neprekidnog izvora paljenja (na primer: otvoreni plamen, gasni uređaj ili električna grejalica).

Nemojte bušiti ili paliti.

Budite svesni da rashladna sredstva ne smeju imati miris.

Cevovodi trebaju biti zaštićeni od fizičkih oštećenja.

Ugradnja cevovoda treba biti svedena na minimum.

Poštujte nacionalna pravila o gasu.

Držite sve otvore za ventilaciju otvorene i bez prepreka.

U slučaju lemljenja cevi za rashladno sredstvo, nemojte koristiti niskotemperaturne legure lema.

1 Bezbednosne napomene

⚠ PAŽNJA

Koristite čistu vodu koja zadovoljava lokalne standarde kvaliteta na glavnom sistemu.
Spoljašnja jedinica treba biti ugrađena u području sa dovoljnim protokom vazduha prema dijagramu iz uputstvu za ugradnju spoljašnje jedinice.
Jedinica cilindra treba biti postavljena unutra da bi se smanjio gubitak toplotne energije.
Vodovodne cevi na glavnom sistemu između spoljašnje i unutrašnje jedinice moraju biti svedeni na minimum kako bi se smanjio gubitak toplote.
Obezbediti da kondenzat iz spoljašnje jedinice ide dalje da bi se izbegla lokva vode.
Ukloniti što je više moguće vazduha iz glavnog i DHW sistema.
Curenje rashladnog sredstva može izazvati gušenje. Obezbedite ventilaciju u skladu sa EN378-1.
Obavezno obmotajte izolaciju oko cevovoda. Direktni kontakt sa golim cevima može dovesti do opekotina ili promrzlina.
Nikada nemojte stavljati baterije u usta iz bilo kog razloga da biste izbegli slučajno gutanje.
Gutanje baterije može izazvati gušenje i / ili trovanje.
Nemojte transportovati jedinicu cilindra sa vodom unutar DHW rezervoara. Može izazvati oštećenje ne jedinici.
Ako napajanje jedinice cilindra treba da se isključi (ili da se isključi sistem) na duži period, potrebno je ispustiti vodu.
Ako se ne koristi duže vreme, pre ponovnog pokretanja DHW rezervoar treba isprati pijaćom vodom.
Treba preuzeti preventivne mere protiv vodenog udara, poput ugradnje regulatora pritiska vode na glavnom sistemu, prema uputstvu proizvođača.

Što se tiče rada sa rashladnim sredstvom, pogledajte uputstvo za ugradnju spoljašnje jedinice.

2 Uvod

Svrha ovog uputstva za ugradnju je da uputi odgovarajuće osoblje kako da bezbedno i efikasno ugrade i puste u rad sistem jedinice cilindra. Ciljni čitaoci ovog uputstva su odgovarajući vodoinstalateri i/ili inženjeri za hlađenje

koji su prošli potrebnu obuku o proizvodu Mitsubishi Electric i imaju odgovarajuću kvalifikaciju za ugradnju bezventilske tople vode specifičnu za njihovu zemlju u jedinicu cilindra.

3 Tehničke informacije

Specifikacija proizvoda

Naziv modela	EHST17D-VM2D	ERST17D-VM2D	EHST20D-MED	EHST20D-VM2D	EHST20D-VM6D	EHST20D-YM9D	EHST20D-YM9ED	ERST20D-VM2D	EHST30D-MED	EHST30D-VM6D	EHST30D-YM9ED	EHST30D-TM9ED	ERST30D-VM2ED
Nominalna zapremina tople vode	170 L	1400 x 595 x 680 mm	98 kg	104 kg	105 kg	106 kg	101 kg	108 kg	113 kg	115 kg	116 kg	2050 x 595 x 680 mm	300 L
Dimenzije jedinice (Visina x Širina x Dubina)													
Težina (prazna)	93 kg	269 kg	304 kg	310 kg	311 kg	314 kg	309 kg	314 kg	420 kg	422 kg	425 kg	114 kg	114 kg
Težina (puna)	3-4 L	12 L	—	3-5 L	12 L	5-8 L	—	3-5 L	3-9 L	3-9 L	6,2 L	—	3-9 L
Zapremina vode grejnog kola u jedinici *1	0,1 MPa	0,1 MPa	—	0,1 MPa	—	—	—	12 L	—	—	—	—	—
Nominalna zapremina ekspanzijsna posuda (Glavno grejanje)													
Glavno kolo	1 - 80°C												
Ventili za regulaciju pritiska	0,3 MPa (3 bara)												
Senzor protoka	Min. protok 5,0 L/min (Pogledajte tabelu 4.3.1 da vidite raspone brzine protoka vode)												
Pomoćni grejač	90°C	121°C	—	90°C	121°C	—	—	—	—	—	—	90°C	121°C
Sigurnosni uređaj	Kontrolni termistor												
DHW rezervoar	Kontrolni termistor												
	75°C												
	—												
	1,0 MPa (10 bara)												
Priključci	Voda												
	DHW kolo												
	Tečnost												
	Gas												
	Temperatura sobe												
	Temperatura protoka												
	Temperatura sobe												
	Temperatura protoka												
	5 - 25°C	—	5 - 25°C	—	—	—	—	—	—	—	—	—	5 - 25°C
Radni opseg	0 - 35°C (≤ 80%RV)												
Garantovani radni opseg *2	Pogledati specifikaciju u tabeli za spoljašnju jedinicu.												
	70°C	*3	*4	70°C	L	—	—	70°C	*4	*3	—	—	70°C
DHW rezervoar performanse	Spoljašnja temperatura												
	Maksimalna dozvoljena temperatura tople vode												
	Određeni profili opterećenja												
	Prosek klima												
	Snaga grejača vode efikasna klasa												
	Napajanje (Faza, napon, frekvencija)												
	Ulaz												
	Struja												
	Osigurač												
	~N, 230 V, 50 Hz	2 kW	—	~N, 230 V, 50 Hz	2 kW + 4 kW	3-400 V, 50 Hz	3 kW + 6 kW	~N, 230 V, 50 Hz	2 kW	~N, 230 V, 50 Hz	3-400 V, 50 Hz	3-230 V, 50 Hz	~N, 230 V, 50 Hz
	Napajanje (Faza, napon, frekvencija)												
	Kapacitet												
	Struja												
	Osigurač												
	Napajanje (Faza, napon, frekvencija)												
	Kapacitet												
	Struja												
	Osigurač												
Nivo zvučne snage (PWL)	41 dB(A)												

<Tabela 3.1>

*1 Nivo vode u sanitarnom kolu, glavnom DHW kolu (od 3-članog ventila do dodirne tačke sa grejnim kolom), cevi do ekspanzijsne posude i ekspanzijsna posuda nisu uračunati u ovu vrednost.
 *2 Okruženje mora biti zaštićeno od mraza.
 *3 Pogledajte specifikaciju spoljašnje jedinice u tabeli (min. 10°C). Režim hlađenja nije dozvoljen kod niskih temperatura. Ako koristite uređaj u režimu hlađenja prilikom niskih temperatura (10°C ili manje), postoje određeni rizici oštećenja pločastog izmenjivača tople od zamrznute vode.
 *4 Za model bez pomoćnog i potopnog grejača, maksimalna dozvoljena temperatura tople vode je [Maksimalna izlazna voda spoljašnje jedinice -3°C]. Za maksimalnu izlaznu vodu iz spoljašnje jedinice, pogledajte priložnu specifikaciju spoljašnje jedinice.
 *5 Ne postavljati potopni grejač bez termo prekidača. Koristite samo Mitsubishi Electric servisne delove kao zamenu.

3 Tehničke informacije

Specifikacija proizvoda

Naziv modela	EHPT20X-MED	EHPT20X-VM6D	EHPT20X-YM9D	EHPT20X-YM9D	EHPT20X-TM9D	EHPT20X-MHEDW	ERPT20X-MD	ERPT20X-VM2D	ERPT20X-VM6D	EHPT30X-MED	EHPT30X-YM9D	ERPT30X-VM2ED
Nominalna zapremina tople vode	200 L											
Dimenzije jedinice (Visina x Širina x Dubina)	1600 x 595 x 680 mm											
Težina (prazna)	93 kg	101 kg	102 kg	96 kg	102 kg	90 kg	99 kg	100 kg	101 kg	106 kg	109 kg	107 kg
Težina (puna)	300 kg	307 kg	310 kg	305 kg	310 kg	296 kg	305 kg	305 kg	307 kg	413 kg	419 kg	413 kg
Zapremina vode grejnog kola u jedinici *1	3,7 L	12 L	6,0 L	6,0 L	12 L	3,7 L	3,7 L	3,7 L	3,7 L	4,4 L	6,7 L	4,4 L
Bezventilska ekspanzijska posuda (Glavno grejanje)	—	0,1 MPa	—	—	0,1 MPa	—	—	12 L	—	—	—	—
Glavno kolo	—	0,1 MPa	—	—	0,1 MPa	—	—	0,1 MPa	—	—	—	—
Glavni termostatski ventil za regulaciju pritiska	1 - 80°C											
Senzor protoka	Min. protok 5,0 L/min (Pogledajte tabelu 4.3.1 da vidite raspone brzine protoka vode)											
BH termostat za ručni reset	—	90°C	90°C	—	—	—	—	90°C	—	—	—	90°C
BH termo prekidač	—	121°C	121°C	—	—	—	—	121°C	—	—	—	121°C
DHW rezervoar	75°C											
Radni opseg	10 - 30°C											
Grejanje	20 - 60°C											
Hlađenje	—											
Prostor	0 - 35°C (≤ 80%RV)											
Spoljašnja temperatura	Pogledati specifikaciju u tabeli za spoljašnju jedinicu.											
Hlađenje	*3											
Maksimalna dozvoljena temperatura tople vode	*4	—	70°C	—	—	—	*4	70°C	70°C	*4	—	70°C
Određeni profili opterećenja	L											
Prosek klima	A+											
Kontrolna tabla (Uključujući 4 pumpe)	~N, 230 V, 50 Hz											
Ulaz	0,30 kW											
Osigurač	1,95 A											
Napajanje (Faza, napon, frekvencija)	10 A											
Kapacitet	—	~N, 230 V, 50 Hz	3~ 400 V, 50 Hz	3~ 230 V, 50 Hz	—	—	—	~N, 230 V, 50 Hz	—	—	3~ 400 V, 50 Hz	~N, 230 V, 50 Hz
Struja	—	2 kW + 4 kW	3 kW + 6 kW	—	—	—	—	2 kW + 4 kW	—	—	3 kW + 6 kW	2 kW
Osigurač	—	26 A	13 A	23 A	—	—	—	9 A	26 A	—	13 A	9 A
Napajanje (Faza, napon, frekvencija)	—	32 A	16 A	32 A	—	—	—	16 A	32 A	—	16 A	16 A
Protopni grejač	5											
Kapacitet	40 dB(A)											
Struja	—											
Osigurač	—											

<Tabela 3.3>

*1 Nivo vode u sanitarnom kolu, glavnom DHW kolu (od 3-članog ventila do dodime tačke sa grejnim kolom), cevi do ekspanzijske posude i ekspanzijske posude nisu uračunati u ovu vrednost.

*2 Okruženje mora biti zaštićeno od mraza.

*3 Pogledajte specifikaciju spoljašnje jedinice u tabeli (min, 10°C). Režim hlađenja nije dozvoljen kod niskih temperatura. Ako koristite uređaj u režimu hlađenja prilikom niskih temperatura (10°C ili manje), postoje određeni rizici oštećenja pločastog izmenjivača toplote od zamrznute vode.

*4 Za model bez pomoćnog i potopnog grejača, maksimalna dozvoljena temperatura tople vode je [Maksimalna izlazna voda spoljašnje jedinice - 3°C]. Za maksimalnu izlaznu vodu iz spoljašnje jedinice, pogledajte priručnik spoljašnje jedinice.

*5 Ne postavljati potopni grejač bez termo prekidača. Koristite samo Mitsubishi Electric servise delove kao zamenu.

3 Tehničke informacije

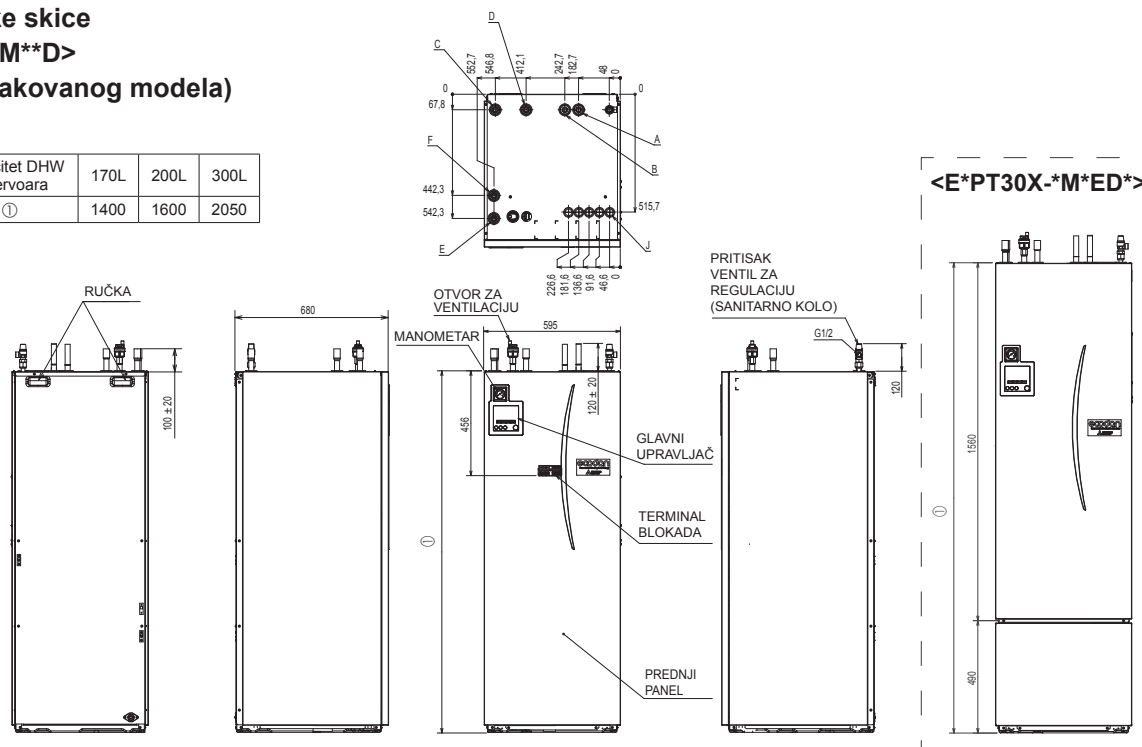
<Jedinica: mm>

■ Tehničke skice

<E**T***-M**D>

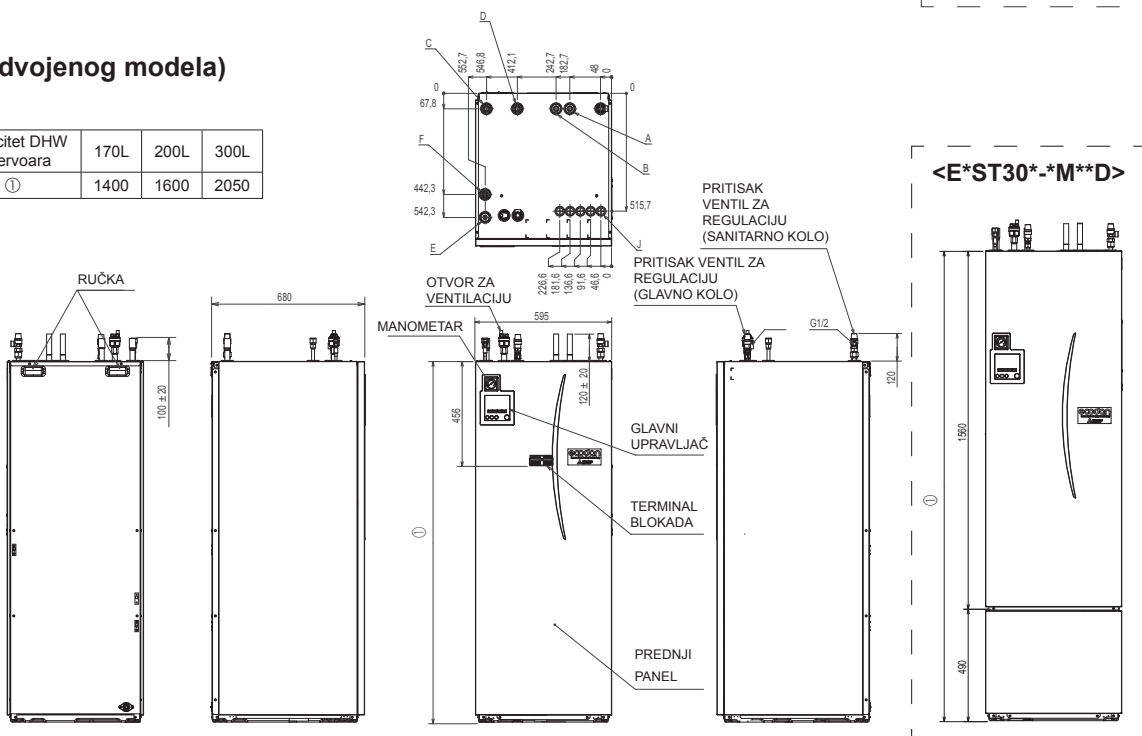
(Sistem pakovanog modela)

Kapacitet DHW rezervoara	170L	200L	300L
①	1400	1600	2050



(Sistem odvojenog modela)

Kapacitet DHW rezervoara	170L	200L	300L
①	1400	1600	2050



Slovo	Opis cevi	Priključak dimenzije/tip	
A	DHW izlazni priključak	22 mm/Kompresija	
B	Ulazni priključak za hladnu vodu	22 mm/Kompresija	
C	Priključak POVRATNOG grejanja/hlađenja prostora	28 mm/Kompresija	
D	Priključka PROTOKA grejanja/hlađenja prostora	28 mm/Kompresija	
E	Priključak protoka IZ toplotne pumpe (Bez pločastog izmenjivača toplote)	28 mm/Kompresija	
F	Povratni priključak KA toplotnoj pumpi (Bez pločastog izmenjivača toplote)	28 mm/Kompresija	
G	Rashladno sredstvo (GAS) (Sa pločastim izmenjivačem toplote)	12,7 mm/Proširenje (E*ST**D-*) 15,88 mm/Proširenje (E*ST**D-*)	⚠ Upozorenje • Priključak za rashladne cevi treba biti dostupan za potrebe održavanja. • U slučaju ponovnog povezivanja rashladne cevi nakon odvajanja, napravite prošireni deo od stare cevi.
H	Rashladno sredstvo (TEČNOST) (Sa pločastim izmenjivačem toplote)	6,35 mm/Proširenje (E*ST**D-*) 9,52 mm/Proširenje (E*ST**D-*)	
J	Ulazi električnog kabla	Za ulaze ①, ② i ③, koristite niskonaponske žice uključujući spoljne ulazne žice i žice regulatora. Za ulaze ④ i ⑤, koristite visokonaponske žice, uključujući kabl za napajanje, kabl za unutrašnje i spoljašnje uređaje i spoljne izlazne žice. *Za bežični prijemnik (opcija) kabl i ecodan Wi-Fi interfejs (opcija) kabl, koristite ulaz ①.	

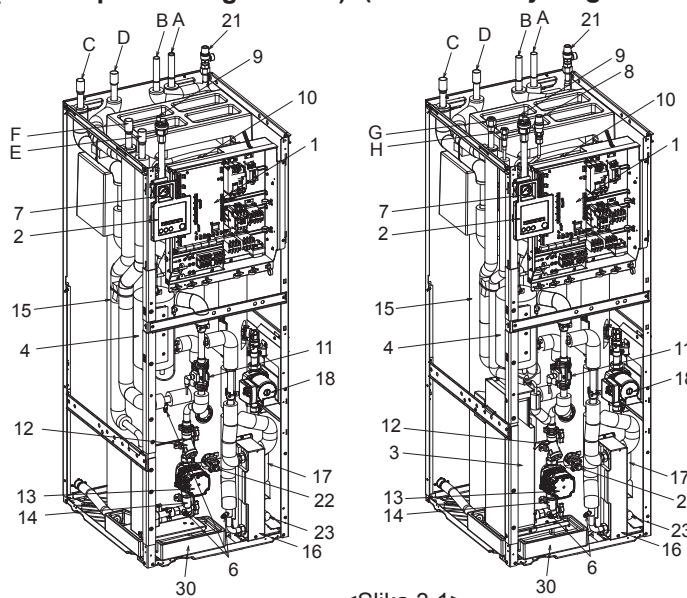
<Tabela 3.4>

3 Tehničke informacije

Sastavni delovi

<E**T***_M**D>

(Sistem pakovanog modela) (Sistem odvojenog modela)

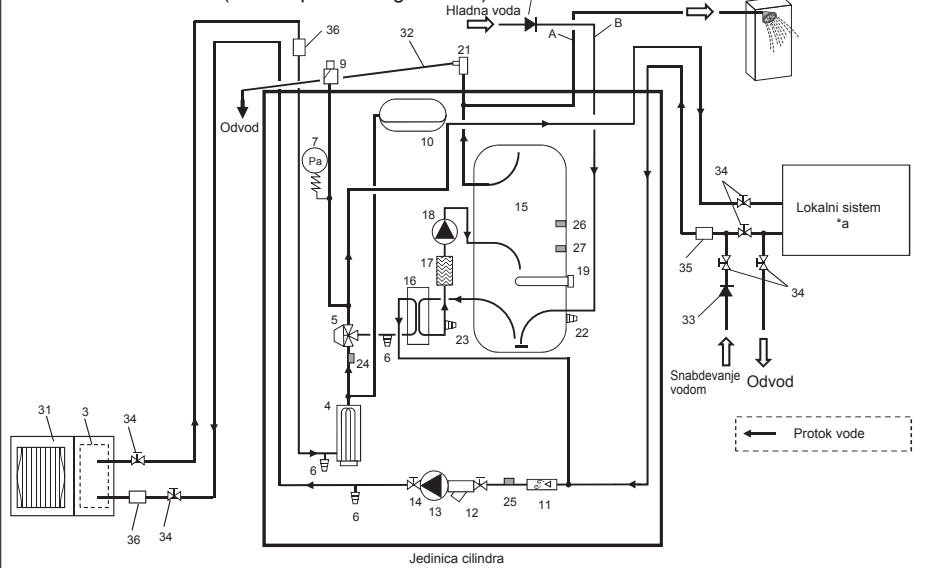


<Slika 3.1>

Napomena:
Za ugradnju svih modela E**T***_M**ED*, obavezno ugradite ekspanzionu posudu odgovarajuće veličine i dodatni PRV za sprečavanje pucanja ekspanzione posude. (Pogledajte sliku 3.2 ~ 3.3 i 4.3.2 za dalje rukovanje)

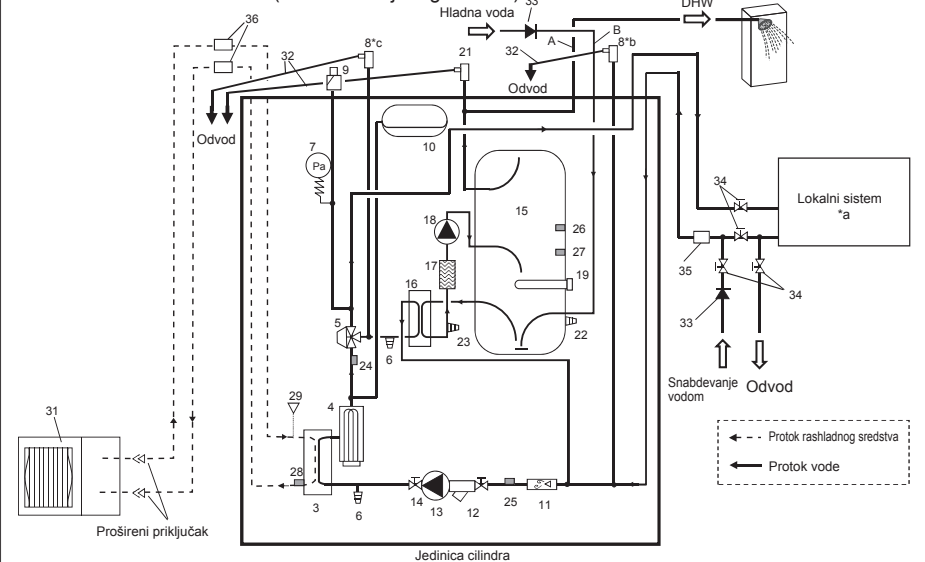
Šema kola vode

<E*PT20/30X-M**D> (Sistem pakovanog modela)



<Slika 3.2>

<E*ST20C/30C/30D-M**D> (Sistem odvojenog modela)



<Slika 3.3>

Br.	Naziv dela
A	DHW izlazna cev
B	Ulazna cev za hladnu vodu
C	Vodovodna cev (Priključak povratnog grejanja/hlađenja prostora)
D	Vodovodna cev (Priključak protoka grejanja/hlađenja prostora)
E	Vodovodna cev (Protok iz priključka toplotne pumpe)
F	Vodovodna cev (Povratna do priključka toplotne pumpe)
G	Rashladna cev (Gas)
H	Rashladna cev (Tečnost)
1	Električna i kontrolna kutija
2	Glavni daljinski upravljač
3	Pločasti izmenjivač toplote (Rashladno sredstvo - Voda)
4	Pomoćni grejač 1,2
5	3-člani ventil
6	Odvodna slavina (Glavno kolo)
7	Manometar
8	Ventil za regulaciju pritiska (3 bara)
9	Automatski otvor za vazduh
10	Ekspanzionu posudu (Glavno kolo)
11	Senzor protoka
12	Ventil sa sitom
13	Pumpa za cirkulaciju vode 1 (Glavno kolo)
14	Ventil pumpe
15	DHW rezervoar
16	Pločasti izmenjivač toplote (Voda - Voda)
17	Skala
18	Pumpa za cirkulaciju vode (Sanitarno kolo)
19	Potopni grejač *1
20	Ventil za regulaciju temperature i pritiska *1
21	Ventil za regulaciju pritiska (10 bara) (DHW rezervoar)
22	Odvodna slavina (DHW rezervoar)
23	Odvodna slavina (Sanitarno kolo)
24	Otpornik temp. protoka vode (THW1)
25	Otpornik temp. povratne vode (THW2)
26	Otpornik povišene temp. vode u DHW rezervoaru (THW5A)
27	Otpornik snižene temp. vode u DHW rezervoaru (THW5B)
28	Otpornik temp. rashladne tečnosti (TH2)
29	Senzor pritiska
30	Odvodni sud
31	Spoljašnja jedinica
32	Odvodna cev (lokalno snabdevanje)
33	Uređaj protiv povratnog protoka (lokalno snabdevanje)
34	Izolacioni ventil (lokalno snabdevanje)
35	Magnetni filter (lokalno snabdevanje) (Preporučljivo)
36	Sito (lokalno snabdevanje)
37	Dodatni PRV (lokalno snabdevanje)
38	Kontrola grupnog ulaza *1
39	Petlja za punjenje (Kuglasti ventili, nepovratni ventili i fleksibilno crevo) *1
40	Čista ekspanzionu posuda *1

*1 Isporučuje se SAMO sa UK modelom. Pogledajte u PAC-WK02UK-E uputstvo za ugradnju za više informacija o dodacima.

<Tabela 3.5>

Idite na Mitsubishi veb-stranicu da biste proverili kolo vode ostalih jedinica i sastavne delove svake jedinice.

*a Pogledajte sledeće poglavlje [Local system] (Lokalni sistem).

*b Isključivo E**T20

*c Isključivo E**T30

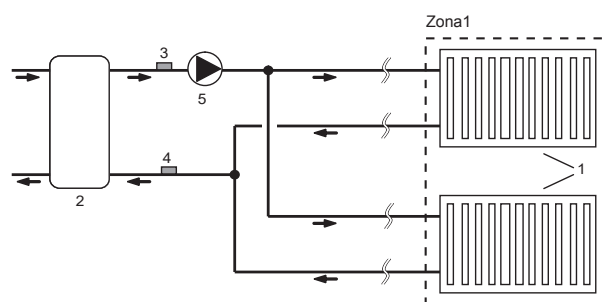
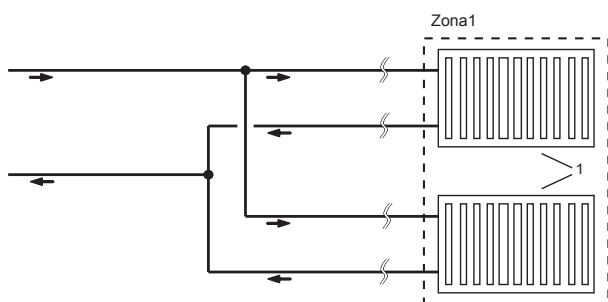
Napomena

- Da bi omogućili odvod jedinice cilindra trebalo bi postaviti izolacioni ventil na ulazni i izlazni cevovod.
- Obavezno ugradite sito na ulazni cevovod jedinice cilindra.
- Odgovarajući odvodni cevovod treba pričvrstiti za sve ventile za regulaciju u skladu sa propisima vaše zemlje.
- Uređaj za sprečavanje povratnog toka treba ugraditi na cevovodima za hladnu vodu (IEC 61770)
- Kada koristite delove ili cevi za spajanje od različitih materijala izolujte spojeve kako bi izbegli koroziju koja može oštetiti cevovod.

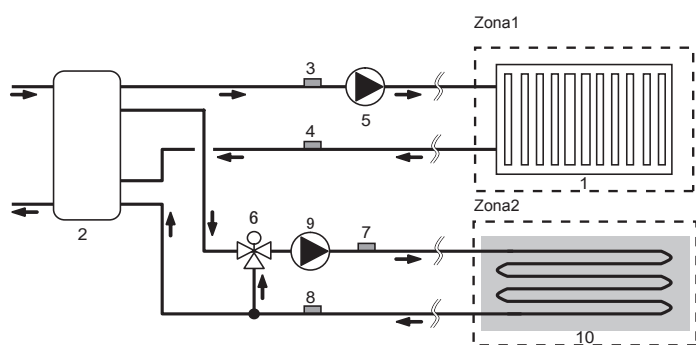
3 Tehničke informacije

■ Lokalni sistem

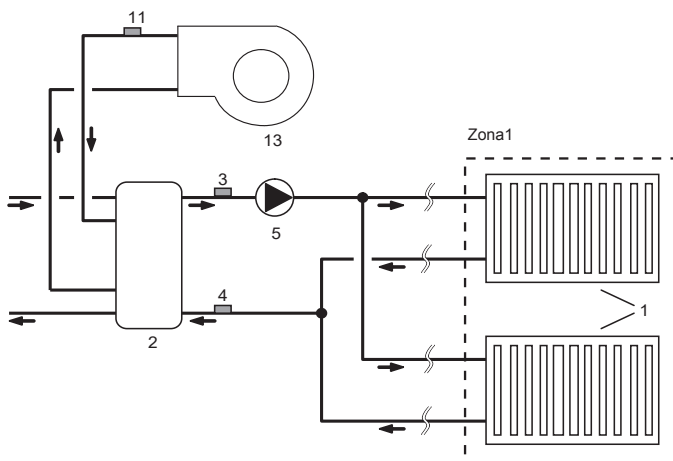
1-zonska kontrola temperature



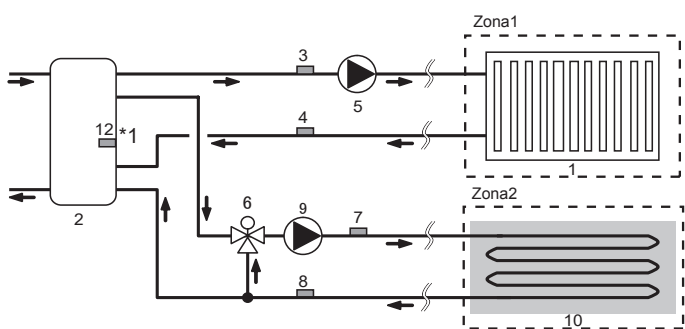
2-zonska kontrola temperature



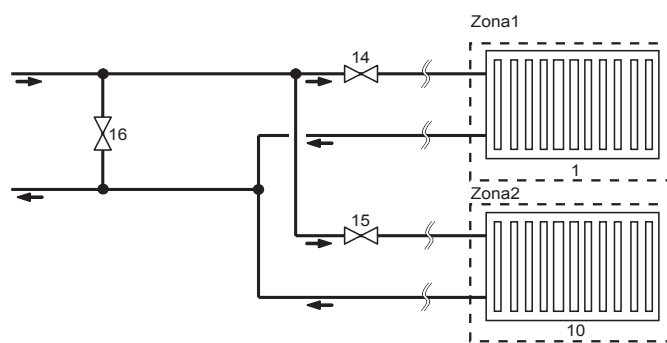
1-zonska kontrola temperature sa boilerom



2-zonska kontrola temperature i kontrola pufer rezervoara



1-zonska kontrola temperature (2-zonski ventil sa kontrolom UKLJUČIVANJA/ISKLJUČIVANJA)



1. Zona1 toplni emiteri (npr. radiator, jedinica kalem ventilatora) (lokalno snabdevanje)
2. Rezervoar za mešanje (lokalno snabdevanje)
3. Zona1 otpornik temp. protoka vode (THW6)
4. Zona1 otpornik temp. povratne vode (THW7) } Opcioni deo : PAC-TH011-E
5. Zona1 pumpa za cirkulaciju vode (lokalno snabdevanje)
6. Motorizovani ventil za mešanje (lokalno snabdevanje)
7. Zona2 otpornik temp. protoka vode (THW8)
8. Zona2 otpornik temp. povratne vode (THW9) } Opcioni deo : PAC-TH011-E
9. Zona2 pumpa za cirkulaciju vode (lokalno snabdevanje)

10. Zona2 toplni emiteri (npr. podno grejanje) (lokalno snabdevanje)
11. Otpornik temp. protoka vode u boileru (THWB1)
12. Otpornik mešanja u rezervoaru (THW10) *1 } Opcioni deo : PAC-TH012HT(L)-E
13. Boiler (lokalno snabdevanje)
14. Zona1 2-člani ventil (lokalno snabdevanje)
15. Zona2 2-člani ventil (lokalno snabdevanje)
16. Zaobilazni ventil (lokalno snabdevanje)

*1 SAMO kontrola pufer rezervoara (zagrevanje/hlađenje) se odnosi na „Pametna mreža spremna“.

4 Ugradnja

<Priprema pre ugradnje i servisiranja>

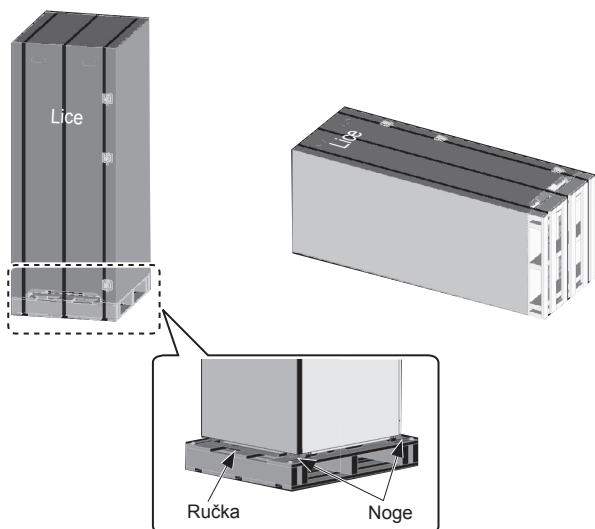
- Pripremiti odgovarajući alat.
- Pripremiti odgovarajuću zaštitu.
- Ostaviti delove da se ohlade pre održavanja.
- Obezbediti adekvatnu ventilaciju.
- Nakon zaustavljanja rada sistema, isključite naponski osigurač i izvucite napojni kabl.
- Ispraznite kondenzator pre početka rada sa električnim delovima.

<Mere predostrožnosti tokom servisa>

- Nemojte izvoditi radove sa električnim delovima mokrim rukama.
- Nemojte sipati vodu ili tečnost po električnim delovima.
- Nemojte dodirivati rashladno sredstvo.
- Nemojte dodirivati vruće ili hladne površine rashladnog sistema.
- Kada popravku ili pregled sistema treba obaviti bez isključivanja napajanja, budite oprezni da NE dodirnete nijedan deo koji je pod NAPONOM.

4.1 Lokacija

■ Transportovanje i rukovanje



<Slika 4.1.1>

Jedinica cilindra se isporučuje na drvenoj paleti sa kartonskom zaštitom.

Prilikom transportovanja treba obratiti pažnju da kutija jedinice cilindra ne bude oštećena udarcem. Nemojte skidati zaštitnu ambalažu jedinice cilindra pre nego što stigne na lokaciju. Ovo će pomoći u zaštiti strukture i kontrolnog panela.

- Jedinica cilindra se može transportovati vertikalno ili horizontalno. Ako se transportuje horizontalno, panel sa oznakom „Front“ (Napred) mora biti okrenut **NAGORE** <Slika 4.1.1>.
- Jedinicu cilindra UVEK treba da prenose najmanje 3 osobe.
- Prilikom nošenja jedinice cilindra koristite predviđene ručke.
- Pre korišćenja ručki, obavezno proverite da li su dobro pričvršćene.
- **Uklonite prednju ručku, noge za pričvršćivanje, drvenu osnovu i bilo koju drugu ambalažu kada se jedinica nalazi na mestu ugradnje.**
- Čuvajte ručke zbog budućeg transportovanja.

■ Prikladna lokacija

Pre ugradnje jedinicu cilindra treba čuvati u prostoru koji je zaštićen od kiše i mraza. Jedinice **NE SMEJU** biti naslagane.

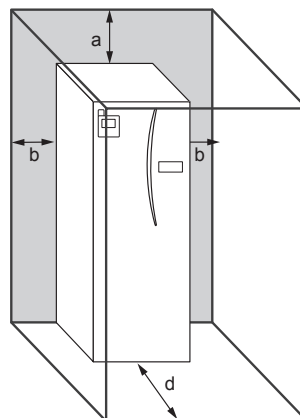
- Jedinica cilindra bi trebalo da se ugradi u zatvoreni prostor bez vremenskih uticaja.
- Ugradite jedinicu cilindra tamo gde nije izložena vodi/prevelikoj vlazi.
- Jedinicu cilindra treba postaviti na ravnu površinu koja može izdržati njenu težinu kada je **NAPUNJENA**. (Podesive noge (dodatni delovi) mogu se koristiti da bi se obezbedilo da jedinica bude ravna)
- Prilikom korišćenja podesivih nogica, pazite da pod bude dovoljno jak.
- Treba obratiti pažnju na to da se ostavi dovoljno mesta ispod i oko jedinice zbog pristupa radi servisiranja <Slika 4.1.2>.
- Osigurajte jedinicu cilindra da ne dođe do prevrtanja.

■ Dijagram servisnog pristupa

Servisni pristup	
Parametar	Dimenzije (mm)
a	300*
b	150
c (razdaljina iza jedinice nije vidljiva u slici 4.1.2)	10
d	500

<Tabela 4.1.1>

Dovoljan prostor MORA biti ostavljen zbog cevovoda za pražnjenje kao što je detaljno opisano u Nacionalnim i Lokalnim građevinskim propisima.



<Slika 4.1.2>

Servisni pristup

* Potrebno je dodatnih 300 mm prostora (ukupno 600 mm) kada ugradite opcioni 2-zonski komplet (PAC-TZ02-E) na vrh jedinice cilindra.

Jedinica cilindra mora biti postavljena u zatvorenom prostoru i bez mraza, na primer u prostoriji za odlaganje, da bi se sprečio gubitak toplotne energije.

■ Premeštanje

Ako morate da premestite jedinicu cilindra na novu poziciju **TOTALNO ISPRAZNITE** jedinicu cilindra pre pomeranja da biste izbegli oštećenje jedinice.

4.2 Kvalitet vode i Priprema sistema

Opšte

- Voda u glavnoj i sanitarnom kolu treba da bude čista i da ima pH vrednost 6,5-8,0
- U nastavku su maksimalne vrednosti;
 - Kalcijum: 100 mg/L, Ca tvrdoća: 250 mg/L
 - Hlorid: 100 mg/L, Bakar: 0,3 mg/L
- Drugi sastojci bi trebalo da budu u skladu sa 98/83 EC Evropske Direktive.
- U oblastima sa tvrdom vodom, da bi se sprečila/smanjila razmera, korisno je ograničiti temperaturu vode (DHW maks. temp.) na 55°C.

Rastvor protiv smrzavanja

Rastvori protiv smrzavanja treba da imaju propilen glikol sa ocenom toksičnosti Klase 1 kao što je navedeno u dokumentu „Klinička toksikologija komercijalnih proizvoda“, 5. izdanje.

Napomena:

- Etilen glikol je otrovan i NE treba ga koristiti u glavnom sistemu vode u slučaju unakrsne kontaminacije kola pijače vode.
- Za 2-zonski ventil sa upravljanjem uključivanja/isključivanja, treba koristiti propilen glikol.

Nova ugradnja (glavni sistem vode)

- Pre povezivanja spoljne jedinice, temeljno očistite cevovod od građevinskog otpada pomoću odgovarajućeg hemijskog sredstva za čišćenje.
- Isperte sistem da uklonite hemijsko sredstvo za čišćenje.
- Za sve sisteme pakovanih modela dodajte kombinovani inhibitor i rastvor protiv smrzavanja kako biste sprečili oštećenje cevovoda i komponenti sistema.
- Za sisteme odvojenog modela odgovorni monter treba da odluči da li je neophodan rastvor protiv smrzavanja pri svakoj prilici. Ipak, inhibitor korozije se UVEK mora koristiti.

Postojeća (glavni sistem vode)

- Pre povezivanja spoljašnje jedinice, postojeći sistem grejanja MORA biti hemijski očišćen kako bi uklonili postojeći otpad iz sistema grejanja.
- Isperte sistem da uklonite hemijsko sredstvo za čišćenje.
- Za sve sisteme pakovanih i odvojenih modela ili PUMY sistema bez pomoćnog grejača, dodajte kombinovani inhibitor i rastvor protiv smrzavanja kako biste sprečili oštećenje cevovoda i komponenti sistema.
- Za sisteme odvojenog modela odgovorni monter treba da odluči da li je neophodan rastvor protiv smrzavanja pri svakoj prilici. Ipak, inhibitor korozije se UVEK mora koristiti.

Kada koristite hemijska sredstva za čišćenje i inhibitore, uvek sledite uputstva proizvođača i proverite da li je proizvod prikladan za materijale koji se koriste u sistemu vode

Minimalna količina vode koja je potrebna u sistemu grejanja/hlađenja

Spoljašnja toplotna pumpa	Prosek / Toplija klima**		Hladnija klima**	
	Unutrašnja jedinica koja sadrži količinu vode [L]	Spoljašnja toplotna pumpa [L]	Unutrašnja jedinica koja sadrži količinu vode [L]	Spoljašnja toplotna pumpa [L]
Pakovani model	PUZ-WM50	2	5	24
	PUZ-WM60	4		29
	PUZ-WM85	7		32
	PUZ-WM112	11		43
	PUZ-HWM140	15		55
Deljeni model	SUZ-SWM40	1	5	12
	SUZ-SWM60	2		21
	SUZ-SWM80	4		29
	PUD-S(H)WM60	4		21
	PUD-S(H)WM80	6		29
	PUD-S(H)WM100	9		38
	PUD-S(H)WM120	12		47
	PUD-SHW140	15		55
	PUHZ-FRP71	6		27
	PUHZ-SW75	6		27
	PUHZ-SW100	9		38
	PUHZ-SW120	12		47
	PUHZ-SHW80	6		29
	PUHZ-SHW112	11		43
	PUHZ-SHW140	15		55
	PUMY-P112	22		75
	PUMY-P125	22		75
PUMY-P140	22	75		

<Tabela 4.2.1>

* Ako koristite bajpas sistem, tabela iznad podrazumeva minimalnu potrebnu količinu vode.

** Molimo pogledajte 2009/125/EC: Direktiva i propisi o proizvodima povezanim sa energijom (EU), broj 813/2013 za potvrdu klimatske zone.

Slučaj 1. Bez pregrade između glavnog i sporednog sistema

- Molimo obezbedite potrebnu količinu vode prema tabeli 4.2.1 pomoću vodovodne cevi i radijatora ili podnog grejanja.

Slučaj 2. Razdvojeni glavni i sporedni sistem

- Ako blokada rada glavne i sporedne pumpe nije dostupna, molimo osigurajte potrebnu dodatnu vodu samo u glavnom sistemu prema tabeli 4.2.1.
- Ako blokada rada glavne i sporedne pumpe jeste dostupna, molimo osigurajte ukupnu količinu vodu u glavnom i sporednom sistemu prema tabeli 4.2.1.

U slučaju nedostatka potrebne količine vode, molimo ugradite tampon rezervoar.

4.3 Vodovodne instalacije

Cevovod tople vode

Jedinica cilindra je **BEZVENTILSKA**. Prilikom ugradnje bezventilskih sistema za toplu vodu treba poštovati propise o izgradnji sistema G3 (Engleska i Vels), P3 (Škotska) i P5 (Severna Irska). Izvan UK, poštujujte propise vaših zemalja za bezventilske sisteme tople vode.

Spojite protok za DHW na cev A (Slika 3.1).

Funkciju sledećih bezbednosnih delova jedinice cilindra bi trebalo proveriti prilikom instalacije u odnosu na bilo koje abnormalnosti;

- Ventil za regulaciju pritiska (Glavni sistem i Rezervoar)
- Predpunjenje ekspanzione posude (pritisk punjenja gasa)

Uputstva na sledećim stranicama o bezbednom ispuštanju tople vode iz Sigurnosnih uređaja treba pažljivo pratiti.

- Cevovodi će biti jako vrući, pa bi ih trebalo izolovati zbog opekotina.
- Prilikom povezivanja cevovoda vodite računa da u cev ne dospeju strani predmeti kao što su ostaci ili slično.

Cevovod hladne vode

Hladnu vodu do odgovarajućeg standarda (vidi odeljak 4.2) treba uvesti u sistem povezivanjem cevi B (slika 3.1) pomoću odgovarajuće opreme.

Sprečavanje negativnog pritiska

Da bi se sprečio negativan pritisak na DHW rezervoaru, monter bi trebao da ugradi odgovarajući cevovod ili da koristi odgovarajući uređaj.

Hidraulični filter (SAMO E*PT serije)

Ugradite hidraulični filter ili sito (lokalno snabdevanje) na ulaz vode („Cev E“ u Slici 3.1)

Priključci cevovoda

Priključke do jedinice cilindra treba praviti koristeći 22 mm ili 28 mm kompresije.

Kada povezujete DHW cevi koristeći kompresionu spojnicu, **stavite bakarni uložak za DHW cevi** (dodatni delovi) u cevi i zategnite od 0,75 do 1,25 okreta. Nemojte pre-zategnuti kompresionu spojnicu jer to može prouzrokovati oštećenje prstena i curenje.

Napomena: Pre zavarivanja cevi na terenu, zaštitite cevi na jedinici cilindra koristeći mokre peškire itd. kao „toplotni štiti“.

Izolacija cevovoda

- Svi izloženi vodovodni cevovodi moraju biti izolovani da bi se sprečili nepotrebni gubici toplote i kondenzacija. Da bi se sprečio ulazak kondenzata u jedinicu cilindra, cevovod i priključke na vrhu jedinice cilindra treba pažljivo izolovati.
- Hladni i topli cevovodi ne bi trebalo da budu blizu jedni drugima, da bi se izbegao neželjeni prenos toplote.
- Cevovod između toplotne pumpe spoljašnje jedinice i jedinice cilindra treba izolovati odgovarajućim materijalom za izolaciju cevi sa toplotnom provodljivošću od $\leq 0,04$ W/m.K.

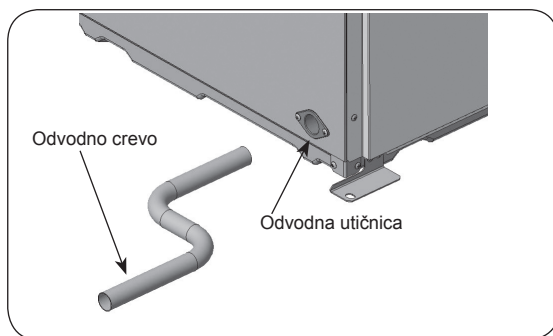
4 Ugradnja

■ Odvodni cevovod (SAMO ER serije)

Opcioni deo 'Postolja za odvodni sud' ne mora da se podešava zato što je odvodni su ugrađen. Odvod treba postaviti iz odvodne utičnice na levom zadnjem delu jedinice.

Za odvod kondenzovane vode u režimu hlađenja treba ugraditi odvodnu cev.

- Da biste sprečili da prijava voda iscuri direktno na pod pored jedinice cilindra, molim povežite odgovarajuću odvodnu cev iz posude za ispuštanje vode iz odvodnog suda cilindra.
- Sigurno ugradite odvodnu cev da bi sprečili curenje iz spoja.
- Sigurno izolujte odvodnu cev da bi sprečili kapanje iz lokalne odvodne cevi.
- Ugradite odvodnu cev pod nagibom nadole 1/100 ili više.
- Nemojte ugraditi odvodnu cev u odvodni kanal gde postoji sumporni gas.
- Nakon ugradnje, proverite da li odvodna cev pravilno odvodi vodu od izlaza cevi do odgovarajućeg mesta ispuštanja.



<Slika 4.3.1>

<Ugradnja>

1. Odvodna utičnica (unutrašnji prečnik 26 mm) je na levom zadnjem delu jedinice cilindra. (Slika 4.3.1)
 2. Pričvrstite odvodnu cev (VP-20) koja se uklapa sa odvodnu utičnicu sa polivinil hlorid lepkom.
 3. Postavite odvodnu cev do izlaza sa veličinom pada većim od sto.
- Napomena: Osigurajte odvodnu cev da ne bi ispala iz odvodne utičnice.



■ Određivanje veličina ekspanzionih posuda

Zapremina ekspanzione posude mora da odgovara zapremini lokalnog sistema vode.

Za veličinu ekspanzione posude za sistem grejanja koristi se sledeća formula i grafikon.

Kada je neophodna veća zapremina ekspanzione posude od one koja je već ugrađena, ugradite dodatnu ekspanzionu posudu tako da zbir zapremina ekspanzionih posuda prelazi potrebnu zapreminu ekspanzione posude.

* Za ugradnju E**T***-M*ED* modela, obezbedite i ugradite odgovarajuću ekspanzionu posudu i dodatni ventil za regulaciju pritiska od 3 bara jer model u opremi NEMA ekspanzionu posudu na primarnoj strani.

$$V = \frac{\varepsilon \times G}{1 - \frac{P_1 + 0,098}{P_2 + 0,098}}$$

Gde;

V : Potrebna zapremina ekspanzione posude [L]

ε : Koefficient širenja vode

G : Ukupna količina vode u sistemu [L]

P₁ : Podešavanje pritiska ekspanzione posude [MPa]

P₂ : Maksimalni pritisak tokom rada [MPa]

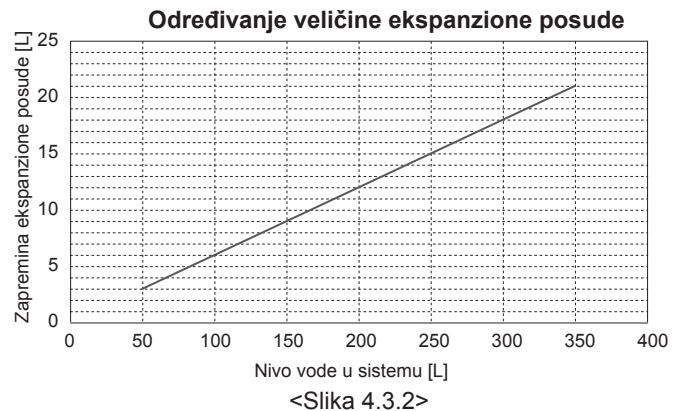
Grafikon desno je za sledeće vrednosti

ε : pri 70°C = 0,0229

P₁ : 0,1 MPa

P₂ : 0,3 MPa

*Dodata je margina od 30% zbog sigurnosti.



4 Ugradnja

Karakteristike pumpe za cirkulaciju vode

1. Glavno kolo

Brzina pumpe se može izabrati preko glavnog daljinskog upravljača (vidi <Slika 4.3.3 do 4.3.7>).

Podesite brzinu pumpe tako da je protok u glavnom sistemu odgovarajući za ugrađenu spoljašnju jedinicu (vidi Tabelu 4.3.1). Možda će biti potrebno dodati dodatnu pumpu sistemu u zavisnosti od dužine i podizanja glavnog sistema. Za modele spoljašnje jedinice koje nisu u listi <Tabela 4.3.1>, pogledajte deo Opseg brzine protoka vode u tabeli sa specifikacijama spoljašnje jedinice iz Knjige podataka.

<Druga pumpa >

Ako je za ugradnju potrebna druga pumpa, pažljivo pročitajte sledeće.

Ako se u sistemu koristi druga pumpa, ona može biti postavljena na 2 načina.

Pozicija pumpe utiče na to koju klemu FTC-a treba vezati signalni kabl. Ako dodatne pumpe imaju struju veću od 1A molimo koristite odgovarajući relej. Signalni kabl toplotne pumpe može biti vezan za TBO.1 1-2 ili CNP1 ali NE za oba.

Opcija 1 (Samo grejanje/hlađenje prostora)

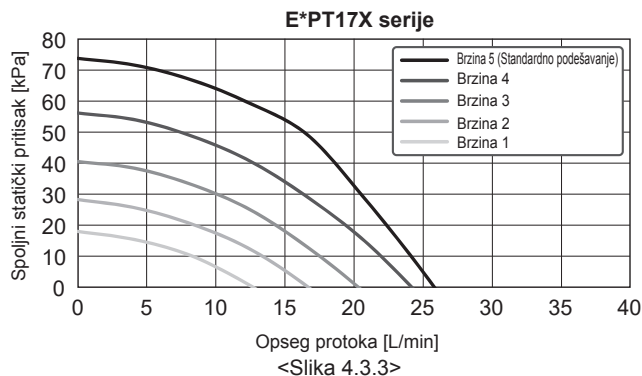
Ako se druga pumpa koristi samo u kolu grejanja onda signalni kabl treba vezati za TBO.1 kleme 3 i 4 (OUT2). U ovom položaju pumpa može raditi drugačijom brzinom od pumpe u jedinici cilindra.

Opcija 2 (Grejanje/hlađenje glavnog kola DHW i prostora)

Ako se druga pumpa koristi u glavnom kolu između jedinice cilindra i spoljašnje jedinice (Pakovani sistem SAMO) onda signalni kabl treba vezati za TBO.1 terminala 1 i 2 (IZLAZ1). U ovom položaju brzina pumpe **MORA** odgovarati brzini pumpe u jedinici cilindra.

Napomena: Pogledajte 5.2 Povezivanje ulaza/izlaza.

Karakteristike pumpe za cirkulaciju vode



Spoljašnja toplotna pumpa		Opseg protoka vode [L/min]
Pakovani model	PUZ-WM50	6,5 - 14,3
	PUZ-WM60	8,6 - 17,2
	PUZ-WM85	10,8 - 24,4
	PUZ-WM112	14,4 - 32,1
	PUZ-HWM140	17,9 - 36,9
Deljeni model	SUZ-SWM40	6,5 - 11,4
	SUZ-SWM60	7,2 - 17,2
	SUZ-SWM80	7,8 - 21,5
	PUD-S(H)WM60	9,0 - 22,9
	PUD-S(H)WM80	9,0 - 22,9
	PUD-S(H)WM100	14,3 - 34,4
	PUD-S(H)WM120	14,3 - 34,4
	PUD-SHWM140	14,3 - 34,4
	PUHZ-FRP71	11,5 - 22,9
	PUHZ-SW75	10,2 - 22,9
	PUHZ-SW100	14,4 - 32,1
	PUHZ-SW120	20,1 - 36,9
	PUHZ-SHW80	10,2 - 22,9
	PUHZ-SHW112	14,4 - 32,1
	PUHZ-SHW140	17,9 - 36,9
	PUMY-P112	17,9 - 35,8
PUMY-P125	17,9 - 35,8	
PUMY-P140	17,9 - 35,8	

<Tabela 4.3.1>

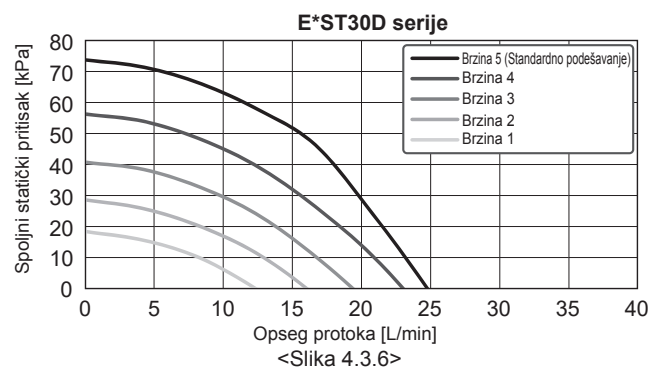
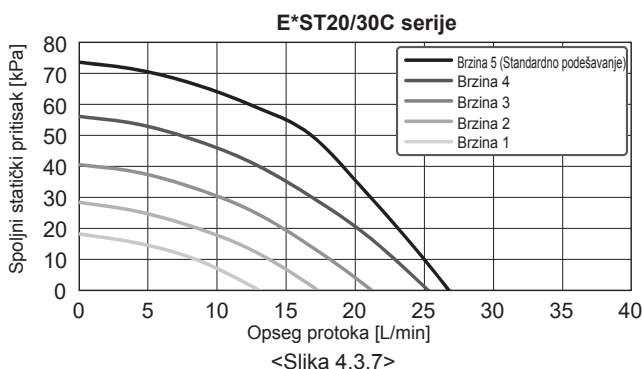
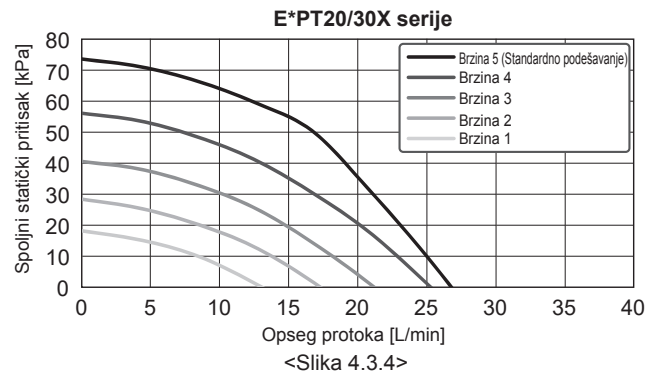
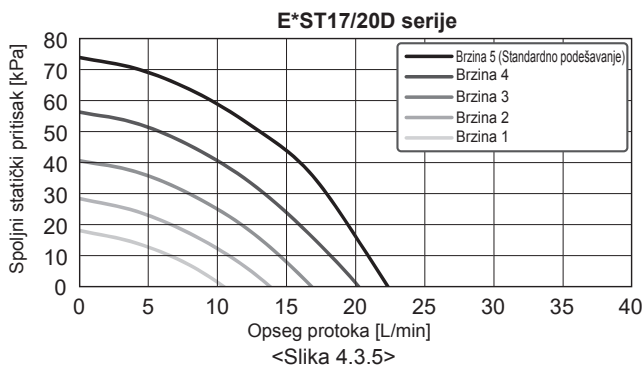
* Ako je protok vode manji od minimalnog protoka vode senzora (standardno 5,0 L/min), aktiviraće se greška protoka.

Ako protok vode prelazi 36,9 L/min (serija E**T20/30) ili 25,8 L/min (serija E**T17), brzina protoka će biti veća od 2,0 m/s, što može dovesti do erozije cevi.

2. Sanitarno kolo

Standardno podešavanje: Brzina 2

DHW pumpa za cirkulaciju MORA biti podešena na brzinu 2.



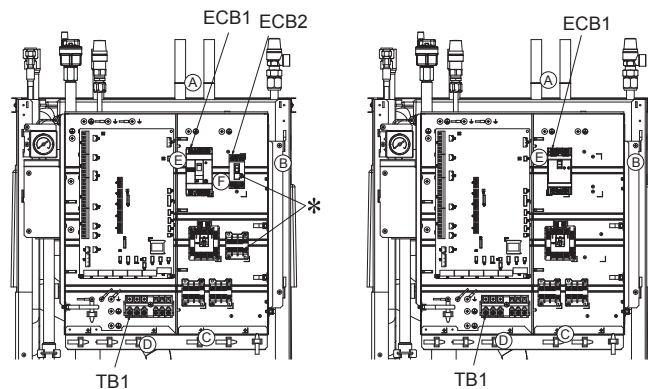
*Za ugradnju E * PT serije, podesite brzinu pumpe sa padom pritiska između jedinice cilindra i spoljašnje jedinice u odnosu na spoljašnji statički pritisak.

4 Ugradnja

4.4 Električni priključak

Sve električne radove treba izvoditi kvalifikovani tehničar. Nepridržavanje ovoga može dovesti do strujnog udara, požara i smrti. Takođe će poništiti garanciju proizvoda. Sva ožičenja treba da budu u skladu sa nacionalnim propisima o ožičenju.

Skraćenice prekidača	Značenje
ECB1	Uzemljeni osigurač za pomoćni grejač
ECB2	Uzemljeni osigurač za potopni grejač
TB1	Klema 1



<1 faza (sa potopnim grejačem)>

<3 faze (bez potopnog grejača)>

Jedinica cilindra se može napajati strujom na dva načina.

1. Kabel za napajanje prolazi od spoljašnje jedinice do jedinice cilindra.
2. Jedinica cilindra ima nezavisan izvor napajanja

U zavisnosti od faze, priključke treba povezati sa terminalima, naznačeno u slikama dole levo.

Pomoćni grejač i potopni grejač trebaju biti nezavisno povezani sa naponom.

- A) Lokalno ožičenje treba ubaciti kroz ulaze koji se nalaze na vrhu jedinice cilindra. (Pogledajte u <Tabela 3.4.>.)
- B) Ožičenje treba da pada sa desne strane kontrolne i električne kutije i treba biti pričvršćeno priloženim pričvršćivačima.
- C) Žice treba ubaciti kroz ulaze za kablove kao u nastavku.
 - 2) Žica izlaza
 - 3) Unutrašnja-spoljašnja žica
 - 5) Napojni vod(B.H.)/ Napojni vod(I.H.)(Opcija)
 - 7) Žice signalnih ulaza
- D) Povežite kabl spoljašnje jedinice – jedinice cilindra povezivanjem kabla na TB1.
- E) Povežite napojni kabl pomoćnog grejača na ECB1.
- F) Ako je prisutan potopni grejač, povežite napojni kabl na ECB2.



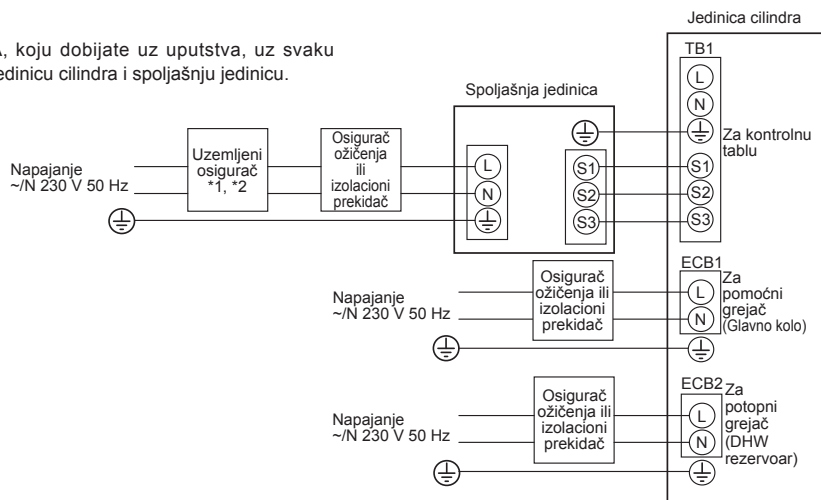
- Izbegavajte kontakt između ožičenja i delova (*).
- Proverite da ECB1 i ECB2 budu uključeni.
- Po završetku ožičavanja proverite da je kabl glavnog daljinskog upravljača povezan na relej.

Jedinica cilindra sa napajanjem preko spoljašnje jedinice

(Ako želite da koristite nezavisan izvor, posetite Mitsubishi veb-stranicu.)

<1 faza>

Zalepite oznaku A, koju dobijate uz uputstva, uz svaku šemu ožičenja za jedinicu cilindra i spoljašnju jedinicu.



<Slika 4.4.1>

Električni priključci 1 faza

- *1. Ako ugrađeni uzemljeni osigurač nema funkciju zaštite od prevelike struje, ugradite osigurač koji ima tu funkciju duž istog naponskog voda.
- *2. Treba obezbediti osigurač sa najmanje 3,0 mm razdvojenim kontaktima svakog pola. Koristite uzemljeni osigurač (NW). Treba obezbediti osigurač da bi odvojili svaki aktivni fazni provodnik napajanja.
- *3. Maks. 45 m
Ako se 2,5 mm² koristi, maks. 50 m
Ako se 2,5 mm² koristi i S3 odvojeno, maks. 80 m
- *4. Vrednosti date u gornjoj tabeli se ne mere uvek prema vrednosti uzemljenja.

Opis	Napajanje	Kapacitet	Osigurač	Ožičenje
Pomoćni grejač (Glavno kolo)	~N 230 V 50 Hz	2 kW	16 A *2	2,5 mm ²
		6 kW	32 A *2	6,0 mm ²
Potopni grejač (DHW rezervoar)	~N 230 V 50 Hz	3 kW	16 A *2	2,5 mm ²

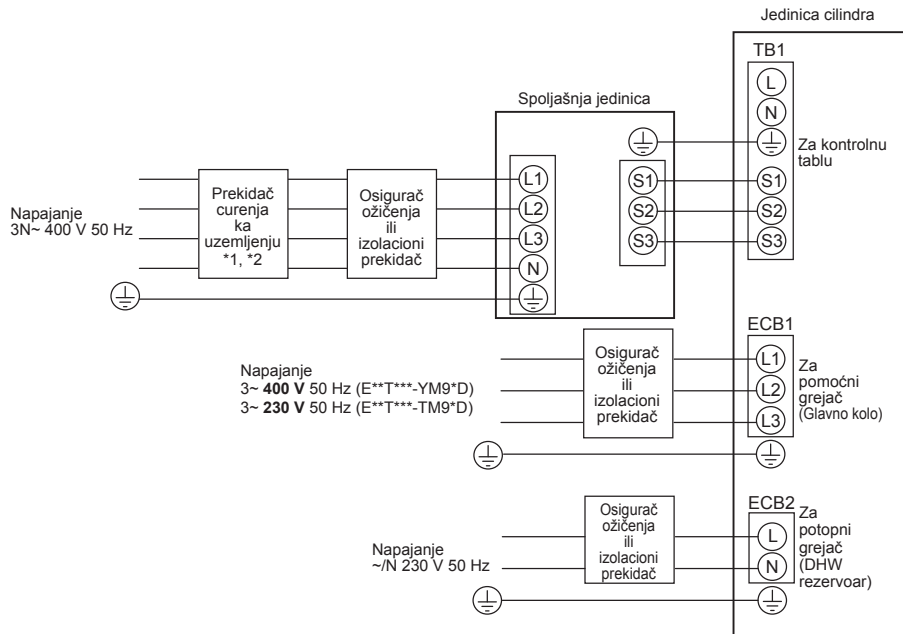
Ožičenje Ožičenje br. x veličina (mm ²)	Jedinica cilindra - Spoljašnja jedinica	*3	3 x 1,5 (polarni)
	Jedinica cilindra - Spoljašnja jedinica uzemljenje	*3	1 x Min. 1,5
Klasa strujnog kola	Jedinica cilindra - Spoljašnja jedinica S1 - S2	*4	230 V AC
	Jedinica cilindra - Spoljašnja jedinica S2 - S3	*4	24 V DC

- Napomena:**
1. Veličina ožičenja mora biti u skladu sa važećim lokalnim i nacionalnim kodovima.
 2. Povezivanje kabla unutrašnje jedinice/spoljašnje jedinice ne bi trebalo da bude lakše od fleksibilnog kabla obloženog polihloroprenom. (Dizajn 60245 IEC 57)
Napojni kablovi unutrašnje jedinice ne bi trebalo da budu lakši od fleksibilnog kabla obloženog polihloroprenom. (Dizajn 60227 IEC 53)
 3. Postavite uzemljenje tako da bude duže od ostalih kablova.
 4. Ostavite dovoljan izlazni kapacitet napajanja za svaki grejač. Nedovoljan kapacitet napajanja može stvoriti buku.

4 Ugradnja

<3 faze>

Zalepite oznaku A, koju dobijate uz uputstva, uz svaku šemu ožičenja za jedinicu cilindra i spoljašnju jedinicu.



<Slika 4.4.2>
Električni priklučci 3 faze

Opis	Napajanje	Kapacitet (ref. unutrašnje jedinice)	Osigurač	Ožičenje
Pomoćni grejač (Glavno kolo)	3~ 400 V 50 Hz	9 kW	16 A *2	2,5 mm ²
	3~ 230 V 50 Hz	9 kW	32 A *2	6,0 mm ²
Potopni grejač (DHW rezervoar)	~N 230 V 50 Hz	3 kW	16 A *2	2,5 mm ²

Ožičenje Ožičenje br. x veličina (mm ²)	Jedinica cilindra - Spoljašnja jedinica	*3	3 x 1,5 (polarni)
	Jedinica cilindra - Spoljašnja jedinica uzemljenje	*3	1 x Min. 1,5
Klasa strujnog kola	Jedinica cilindra - Spoljašnja jedinica S1 - S2	*4	230 V AC
	Jedinica cilindra - Spoljašnja jedinica S2 - S3	*4	24 V DC

*1. Ako ugrađeni uzemljeni osigurač nema funkciju zaštite od prevelike struje, ugradite osigurač koji ima tu funkciju duž istog naponskog voda.

*2. Treba obezbediti osigurač sa najmanje 3,0 mm razdvojenim kontaktima svakog pola. Koristite uzemljeni osigurač (NW).
Treba obezbediti osigurač da bi odvojili svaki aktivni fazni provodnik napajanja.

*3. Maks. 45 m

Ako se 2,5 mm² koristi, maks. 50 m

Ako se 2,5 mm² koristi i S3 odvojeno, maks. 80 m

*4. Vrednosti date u gornjoj tabeli se ne mere uvek prema vrednosti uzemljenja.

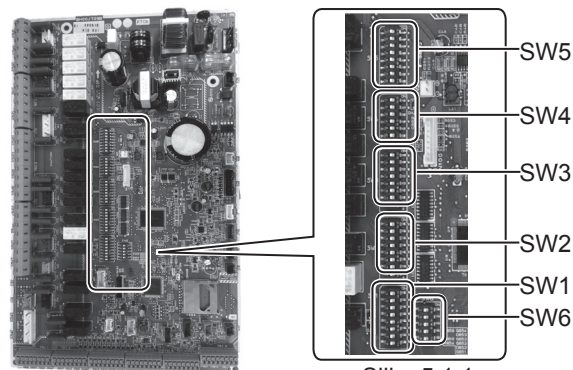
- Napomena:**
- Veličina ožičenja mora biti u skladu sa važećim lokalnim i nacionalnim kodovima.
 - Povezivanje kablа unutrašnje jedinice/spoljašnje jedinice ne bi trebalo da bude lakše od fleksibilnog kablа obloženog polihloroprenom. (Dizajn 60245 IEC 57)
Napojni kablovi unutrašnje jedinice ne bi trebalo da budu lakši od fleksibilnog kablа obloženog polihloroprenom. (Dizajn 60227 IEC 53)
 - Postavite uzemljenje tako da bude duže od ostalih kablа.
 - Ostavite dovoljan izlazni kapacitet napajanja za svaki grejač. Nedovoljan kapacitet napajanja može stvoriti buku.

5 Podešavanje sistema

5.1 DIP Prekidač

Broj DIP prekidača je odštampan na strujnom kolu pored odgovarajućih prekidača. Reč ON je odštampana na strujnom kolu i samom DIP prekidaču. Da biste pomerili prekidač možete koristiti iglu ili tanki ugao metalnog lenjira ili slično.

Podešavanja DIP prekidača su navedena ispod u Tabeli 5.1.1. Samo ovlašćeni monter može promeniti podešavanje DIP prekidača na sopstvenu odgovornost u skladu sa uslovima montaže. Obavezno isključite napajanje unutrašnje i spoljašnje jedinice pre promene podešavanja prekidača.



<Slika 5.1.1>

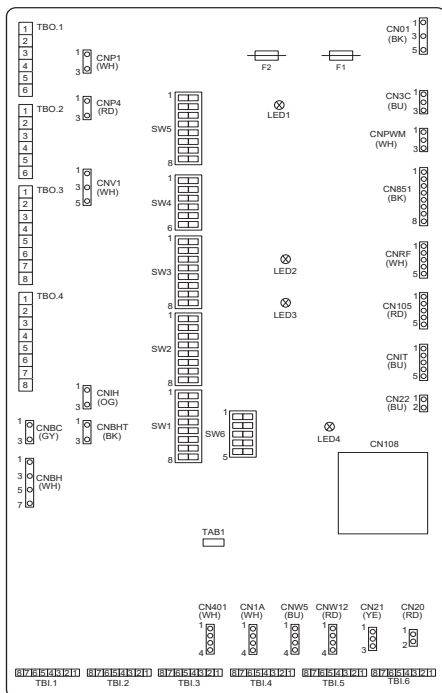
DIP prekidač	Funkcija	ISKLJUČENO	UKLJUČENO	Standardna podešavanja: Model unutrašnje jedinice			
SW1	SW1-1 Bojler	BEZ bojlera	SA bojlerom	ISKLJUČENO			
	SW1-2 Maksimalna temperatura izlazne vode iz toplotne pumpe	55°C	60°C	UKLJUČENO *1			
	SW1-3 DHW rezervoar	BEZ DHW rezervoara	SA DHW rezervoarom	UKLJUČENO			
	SW1-4 Potopni grejač	BEZ potopnog grejača	SA potopnim grejačem	ISKLJUČENO: Osim EHPT20X-MHEDW UKLJUČENO: EHPT20X-MHEDW			
	SW1-5 Pomoćni grejač	BEZ pomoćnog grejača	SA pomoćnim grejačem	ISKLJUČENO: E**T***-M*ED* UKLJUČENO : E**T***-M 2/6/9*D			
	SW1-6 Funkcija pomoćnog grejača	Samo za grejanje	Samo za grejanje i DHW	ISKLJUČENO: E**T***-M*ED* UKLJUČENO : E**T***-M 2/6/9*D			
	SW1-7 Tip spoljašnje jedinice	Odvojeni tip	Pakovani tip	ISKLJUČENO: E*ST***-M**D UKLJUČENO : E*PT**X-*M**D*			
	SW1-8 Bežični daljinski upravljač	BEZ bežičnog daljinskog upravljača	SA bežičnim daljinskim upravljačem	ISKLJUČENO			
SW2	SW2-1 Sobni termostat 1 ulaz (IN1) logička izmena	Zona1 prekid rada na termostatu kratak	Zona1 prekid rada na termostatu otvoren	ISKLJUČENO			
	SW2-2 Protok prekidača 1 ulaz (IN2) logička izmena	Otkrivanje greške na kratak	Otkrivanje greške na otvoren	ISKLJUČENO			
	SW2-3 Ograničenje kapacitete pomoćnog grejača	Neaktivno	Aktivno	ISKLJUČENO: Osim E**T***-VM2*D UKLJUČENO: E**T***-VM2*D			
	SW2-4 Funkcija režima hlađenja	Neaktivno	Aktivno	ISKLJUČENO: EH*T***-*M**D* UKLJUČENO: ER*T***-*M**D			
	SW2-5 Automatsko prebacivanje na rad sa rezervnim toplotnim izvorom (kada se spoljašnja jedinica zaustavi zbog greške)	Neaktivno	Aktivno *2	ISKLJUČENO			
	SW2-6 Rezervoar za mešanje	BEZ rezervoara za mešanje	SA rezervoarom za mešanje	ISKLJUČENO			
	SW2-7 2-zonska kontrola temperature	Neaktivno	Aktivno *6	ISKLJUČENO			
	SW2-8 Senzor protoka	BEZ senzora protoka	SA senzorom protoka	UKLJUČENO			
SW3	SW3-1 Sobni termostat 2 ulaz (IN6) logička izmena	Zona2 prekid rada na termostatu kratak	Zona2 prekid rada na termostatu otvoren	ISKLJUČENO			
	SW3-2 Protok prekidača ulaz 2 i 3 logična izmena	Otkrivanje greške na kratak	Otkrivanje greške na otvoren	ISKLJUČENO			
	SW3-3 Tip 3-članog ventila	AC motor	Step motor	ISKLJUČENO: Osim E**T17X/17D/20D- *M**D* UKLJUČENO: E**T17X/17D/20D-*M**D			
	SW3-4 Merač električne energije	BEZ merača električne energije	SA meračem električne energije	ISKLJUČENO			
	SW3-5 Funkcija režima grejanja *3	Neaktivno	Aktivno	UKLJUČENO			
	SW3-6 2-zonski ventil sa kontrolom UKLJUČENJA/ISKLJUČENJA	Neaktivno	Aktivno	ISKLJUČENO			
	SW3-7 Izmenjivač grejanja za DHW	Spirala u rezervoaru	Spoljni pločasti HEX	UKLJUČENO			
	SW3-8 Merač grejanja	BEZ merača grejanja	SA meračem grejanja	ISKLJUČENO			
SW4	SW4-1	---	---	ISKLJUČENO			
	SW4-2	---	---	ISKLJUČENO			
	SW4-3	---	---	ISKLJUČENO			
	SW4-4 Samo rad unutrašnje jedinice (tokom montaže) *4	Neaktivno	Aktivno	ISKLJUČENO			
	SW4-5 Hitan režim (Samo grejanje)	Normalno	Hitan režim (Samo grejanje)	UKLJUČENO *5			
	SW4-6 Hitan režim (Rad bojlera)	Normalno	Hitan režim (Rad bojlera)	UKLJUČENO *5			
SW5	SW5-1	---	---	ISKLJUČENO			
	SW5-2 Napredna auto adaptacija	Neaktivno	Aktivno	UKLJUČENO			
	SW5-3	Šifra kapaciteta					
	SW5-4		SW5-3	SW5-4	SW5-5	SW5-6	SW5-7
	SW5-5	E**T**C-*M**D	UKLJUČENO	UKLJUČENO	UKLJUČENO	UKLJUČENO	ISKLJUČENO
	SW5-6	E**T**D-*M**D	UKLJUČENO	ISKLJUČENO	ISKLJUČENO	UKLJUČENO	ISKLJUČENO
	SW5-7	E**T**X-*M**D*	ISKLJUČENO	ISKLJUČENO	ISKLJUČENO	ISKLJUČENO	ISKLJUČENO
	SW5-8	---	---	---	---	---	ISKLJUČENO
SW6	SW6-1	---	---	ISKLJUČENO			
	SW6-2	---	---	ISKLJUČENO			
	SW6-3 Senzor pritiska	Neaktivno	Aktivno	ISKLJUČENO: Osim E*ST**D-*M**D UKLJUČENO: E*ST**D-*M**D			
	SW6-4 Analogni izlazni signal (0-10 V)	Neaktivno	Aktivno	ISKLJUČENO			
	SW6-5	---	---	---	ISKLJUČENO		

<Tabela 5.1.1>

- Napomena:**
- *1. Kada je jedinica cilindra priključena sa PUMY-P spoljašnjom jedinicom, maksimalna izlazna temperatura je 55°C, DIP PR1-2 moraju biti promenjeni na ISKLJUČENO.
 - *2. Spoljni izlaz (OUT11) će biti dostupan. Iz bezbednosnih razloga, ova funkcija nije dostupna za određene greške. (U tom slučaju, Sistem rada mora biti zaustavljen i samo pumpa za cirkulaciju vode ostaje da radi.)
 - *3. Ovaj prekidač funkcioniše samo kada je jedinica cilindra povezana sa PUHZ-FRP spoljašnjom jedinicom. Kada je povezana druga spoljašnja jedinica, funkcija režima grejanja je aktivna bez obzira na činjenicu da je prekidač UKLJUČEN ili ISKLJUČEN.
 - *4. Grejanje prostora i DHW može da radi samo u unutrašnjoj jedinici, kao električni grejač. (Pogledajte „5.4 Rad unutrašnje jedinice“.)
 - *5. Ako hitan režim nije više potreban, prebacite prekidač na položaj ISKLJUČENO.
 - *6. Aktivno je samo kada SW3-6 podešen na ISKLJUČENO.

5 Podešavanje sistema

5.2 Povezivanje ulaza/izlaza



<Slika 5.2.1>

Specifikacija ožičenja i lokalno snabdevanje delova

Predmet	Naziv	Model i specifikacije
Funkcija izlaznog signala	Žica izlaznog signala	Koristite kabl obložen vinil premazom ili kabl. Maks. 30 m Tip žice: CV, CVS ili ekvivalent Dimenzija žice: Kompenzirajuća žica 0,13 mm ² do 0,52 mm ² Čvrsta žica: ø0,4 mm do ø0,8 mm
	Prekidač	Kontakt signala „a“ bez napona Daljinski prekidač: minimalno opterećenje 12 V DC, 1 mA

Napomena:

Kompenzirajuću žicu treba obraditi sa izolovanim terminalom (tip kompatibilan sa DIN46228-4 standardom).

■ Ulazi signala

Naziv	Klema	Konektor	Predmet	ISKLJUČENO (otvoreno)	UKLJUČENO (kratko)
IN1	TBI.1 7-8	—	Sobni termostatski ulaz *1	Pogledajte SW2-1 u <5.1 DIP Prekidač>.	
IN2	TBI.1 5-6	—	Prekidač protoka 1 ulaz	Pogledajte SW2-2 u <5.1 DIP Prekidač>.	
IN3	TBI.1 3-4	—	Prekidač protoka 2 ulaz (Zona1)	Pogledajte SW3-2 u <5.1 DIP Prekidač>.	
IN4	TBI.1 1-2	—	Ulaz kontrole zahteva	Normalno	Izvor grejanja ISKLJUČENO/Rad bojlera *3
IN5	TBI.2 7-8	—	Spoljni ulaz termostata *2	Standardni rad	Rad grejanja/Rad bojlera *3
IN6	TBI.2 5-6	—	Sobni termostatski ulaz *1	Pogledajte SW3-1 u <5.1 DIP Prekidač>.	
IN7	TBI.2 3-4	—	Prekidač protoka 3 ulaz (Zona2)	Pogledajte SW3-2 u <5.1 DIP Prekidač>.	
IN8	TBI.3 7-8	—	Merač električne energije 1	*4	
IN9	TBI.3 5-6	—	Merač električne energije 2		
IN10	TBI.2 1-2	—	Merač grejanja		
IN11	TBI.3 3-4	—	Ulaz pametne mreže	*5	
IN12	TBI.3 1-2	—			
INA1	TBI.4 1-3	CN1A	Senzor protoka	—	—

*1. Podesite vreme UKLJUČIVANJA/ISKLJUČIVANJA sobnog termostata na 10 minuta ili više; u suprotnom može doći do oštećenja kompresora.

*2. Ako se koristi spoljašnji termostatski ulaz za kontrolu rada grejača, vek trajanja grejača i pripadajućih delova može se smanjiti.

*3. Da biste uključili rad bojlera, pomoću glavnog daljinskog upravljača izaberite opciju „Boiler“ (Bojler) na ekranu „External input setting“ (Podešavanje spoljnog ulaza) u servisnom meniju.

*4. Povezanost merača električne energije i merača grejanja

- Tip pulsa Beznaponski kontakt za 12VDC otkriven pomoću FTC (TBI.2 1pin, TBI.3 5 i 7 pinova imaju pozitivan napon.)
- Dužina pulsa Minimalno UKLJUČENO vreme: 40 ms
Minimalno ISKLJUČENO vreme: 100 ms
- Moguća jedinica pulsa 0,1 puls/kWh 1 puls/kWh 10 puls/kWh
100 puls/kWh 1000 puls/kWh

Ove vrednosti možete podesiti pomoću glavnog daljinskog upravljača. (Pogledajte stablo menija u „Glavni daljinski upravljač“.)

*5. Što se tiče pametne mreže, pogledajte „5.5 Pametna mreža“.

■ Ulazi termistora

Naziv	Klema	Konektor	Predmet	Opcioni deo modela
TH1	—	CN20	Otpornik (Sobna temp.) (Opcija)	PAC-SE41TS-E
TH2	—	CN21	Otpornik (Ref. temperatura tečnosti)	—
THW1	—	CNW12 1-2	Otpornik (Temperatura protoka vode)	—
THW2	—	CNW12 3-4	Otpornik (Temperatura povratne vode)	—
THW5A	—	CNW5 1-2	Otpornik (DHW rezervoar gornja temperatura vode)	—
THW5B	—	CNW5 3-4	Otpornik (DHW rezervoar donja temperatura vode)	—
THW6	TBI.5 7-8	—	Otpornik (Zona1 temperatura protoka vode) (Opcija) *1	PAC-TH011-E
THW7	TBI.5 5-6	—	Otpornik (Zona1 temperatura povratne vode) (Opcija) *1	
THW8	TBI.5 3-4	—	Otpornik (Zona2 temperatura protoka vode) (Opcija) *1	PAC-TH011-E
THW9	TBI.5 1-2	—	Otpornik (Zona2 temperatura povratne vode) (Opcija) *1	
THWB1	TBI.6 7-8	—	Otpornik (Temperatura protoka vode bojlera) (Opcija) *1	PAC-TH012HT-E(5 m)/
THW10	TBI.6 5-6	—	Termistor (Temperatura vode rezervoara za mešanje) (Opcija) *1	PAC-TH012HTL-E(30 m)

Osigurajte da žica termistora bude dalje od napojne linije i/ili OUT1 do 16 ožičenja.

*1. Maksimalna dužina ožičenja termistora je 30 m.

Dužina opcionih termistora iznosi 5 m. Ako morate da ih upletete i produžite žice, morate da obavite sledeće postupke.

1) Povežite žice lemljenjem.

2) Izolujte svaku tačku povezivanja od prašine i vode. Kompenzirajuću žicu treba obraditi sa izolovanim terminalom (tip kompatibilan sa DIN46228-4 standardom).

5 Podešavanje sistema

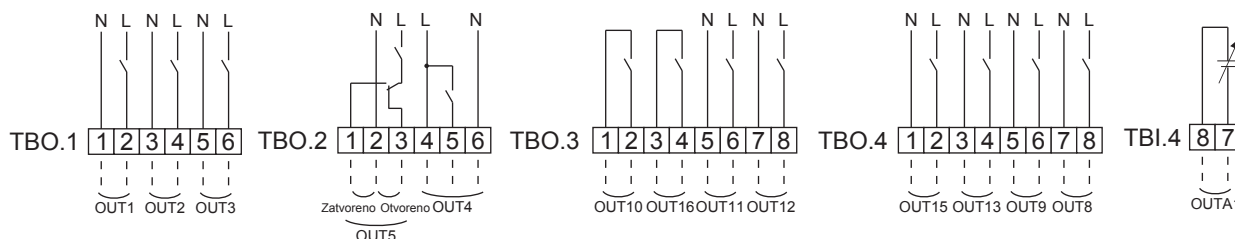
Izlazi

Naziv	Klema	Konektor	Predmet	ISKLJUČENO	UKLJUČENO	Signal/Maks. struja	Maks. ukupna struja
OUT1	TBO.1 1-2	CNP1	Pumpa za cirkulaciju vode 1 izlaz (Grejanje/hlađenje prostora & DHW)	ISKLJUČENO	UKLJUČENO	230 V AC 1,0 A maks. (Udarne struja 40 A maks.)	4,0 A (a)
OUT2	TBO.1 3-4	—	Pumpa za cirkulaciju vode 2 izlaz (Grejanje/hlađenje prostora za Zonu1)	ISKLJUČENO	UKLJUČENO	230 V AC 1,0 A maks. (Udarne struja 40 A maks.)	
OUT3	TBO.1 5-6	—	Pumpa za cirkulaciju vode 3 izlaz (grejanje/hlađenje prostora za Zonu2) *1 2-člani ventil 2b izlaz *2	ISKLJUČENO	UKLJUČENO	230 V AC 1,0 A maks. (Udarne struja 40 A maks.)	
OUT14	—	CNP4	Pumpa za cirkulaciju vode 4 izlaz (DHW)	ISKLJUČENO	UKLJUČENO	230 V AC 1,0 A maks. (Udarne struja 40 A maks.)	3,0 A (b)
OUT4	TBO.2 4-6	CNV1	Izlaz 3-članog ventila (2-člani ventil)	Grejanje	DHW	230 V AC 0,1 A maks.	
	—	CN851	Izlaz 3-članog ventila				
OUT5	TBO.2 1-2	—	Izlaz ventila za mešanje *1	Kraj	Zatvoreno	230 V AC 0,1 A maks.	
	TBO.2 2-3			Otvoreno			
OUT6	—	CNBH 1-3	Pomoćni grejač 1 izlaz	ISKLJUČENO	UKLJUČENO	230 V AC 0,5 A maks. (Relej)	
OUT7	—	CNBH 5-7	Pomoćni grejač 2 izlaz	ISKLJUČENO	UKLJUČENO	230 V AC 0,5 A maks. (Relej)	
OUT8	TBO.4 7-8	—	Ulaz signala hlađenja	ISKLJUČENO	UKLJUČENO	230 V AC 0,5 A maks.	
OUT9	TBO.4 5-6	CNIH	Izlaz potopnog grejača	ISKLJUČENO	UKLJUČENO	230 V AC 0,5 A maks. (Relej)	
OUT11	TBO.3 5-6	—	Izlaz greške	Normalno	Greška	230 V AC 0,5 A maks.	
OUT12	TBO.3 7-8	—	Izlaz odleđivanja	Normalno	Odmrzavanje	230 V AC 0,5 A maks.	
OUT13	TBO.4 3-4	—	2-člani ventil 2a izlaz *2	ISKLJUČENO	UKLJUČENO	230 V AC 0,1 A maks.	
OUT15	TBO.4 1-2	—	Komp signal UKLJUČENO	ISKLJUČENO	UKLJUČENO	230 V AC 0,5 A maks.	
OUT10	TBO.3 1-2	—	Izlaz bojlera	ISKLJUČENO	UKLJUČENO	kontakt bez napona ·220 - 240 V AC (30 V DC) ·0,5 A ili manje	—
OUT16	TBO.3 3-4	—	Termo signal Grejanje/Hlađenje UKLJUČENO	ISKLJUČENO	UKLJUČENO	·10 mA 5 V DC ili veće	
OUTA1	TBI.4 7-8	—	Analogni izlaz	0 - 10 V		0-10 V DC 5 mA maks.	—

Nemojte povezivati terminale koji su označeni kao „—“ u polje „Terminal block“ (Klema).

*1 Za 2-zonsku kontrolu temperature.

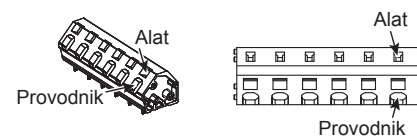
*2 Za 2-zonski ventil sa kontrolom UKLJUČIVANJA/ISKLJUČIVANJA.



Kako se koristi TBO.1 do 4

Specifikacija ožičenja i lokalno snabdevanje delova

Predmet	Naziv	Model i specifikacije
Funkcija spoljnog ulaza	Žica izlaza	Koristite kabl obložen vinil premazom ili kabl. Maks. 30 m Tip žice: CV, CVS ili ekvivalent Dimenzija žice: Kompenzirajuća žica 0,25 mm ² do 1,5 mm ² Čvrsta žica: ø0,57 mm do ø1,2 mm



Pregledni prikaz

Prikaz odozgo

Povežite ih koristeći bilo koji gore navedeni način.

<Slika 5.2.2>

Napomena:

- Kada je jedinica cilindra priključena preko spoljašnje jedinice, maksimalna ukupna struja (a)+(b) je 3,0 A.
- Ne povezujte više pumpe za cirkulaciju vode direktno na svaki izlaz (OUT1, OUT2 i OUT3). U tom slučaju, povežite ih preko releja.
- Ne povezujte pumpe za cirkulaciju vode na oba TBO.1 1-2 i CNP1 u isto vreme.
- Povežite odgovarajući prigušivač talasa na OUT10 (TBO.3 1-2) u zavisnosti od opterećenja.
- Kompenzirajuću žicu treba obraditi sa izolovanim terminalom (tip kompatibilan sa DIN46228-4 standardom).
- Koristite isti predmet kao žicu izlaznog signala za OUTA1 ožičenje.

5.3 Ožičenje za 2-zonsku kontrolu temperature

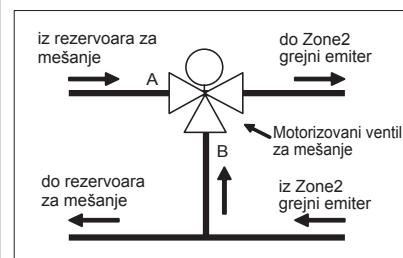
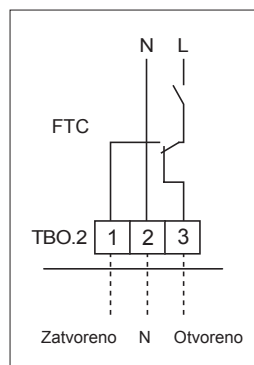
Povežite instalacije i lokalno nabavljene delove prema odgovarajućem strujnom kolu prikazana šema „Lokalni sistem“ u odeljku 3 ovog uputstva.

<Ventil za mešanje>

Povežite signalnu liniju na otvoreni Port A (ulazni otvor tople vode) na TBO. 2-3 (otvoreno) signalnu liniju na otvoreni Port B (ulazni otvor hladne vode) na TBO. 2-1 (zatvoreno) i žicu neutralnog terminala na TBO. 2-2 (N).

<Termistor>

- Nemojte ugrađivati otpornik na rezervoar za mešanje.
- Ugradite termistor temperature protoka (THW8) za Zonu2 blizu rezervoara za mešanje.
- Maksimalna dužina ožičenja otpornika je 30 m.
- Dužina opcionih termistora iznosi 5 m. Ako morate da ih upletete i produžite žice, morate da obavite sledeće postupke.
 - Povežite žice lemljenjem.
 - Izolujte svaku tačku povezivanja od prašine i vode.



5 Podešavanje sistema

5.4 Rad unutrašnje jedinice (tokom montaže)

U slučaju kada je potreban DHW ili grejni rad, pre povezivanja spoljašnje jedinice, npr. tokom montaže, može se koristiti (*1) električni grejač u unutrašnjoj jedinici.

*1 Model samo sa električnim grejačem.

1. Za početak rada

- Proverite da je unutrašnja jedinica ISKLJUČENA i okrenite DIP prekidače 4-4 i 4-5 na UKLJUČENO.
- Uključite unutrašnju jedinicu.

2. Za prekid rada*2

- Isključite unutrašnju jedinicu.
- Okrenite DIP prekidače 4-4 i 4-5 na ISKLJUČENO.

*2 Kada unutrašnja jedinica samo prestane sa radom, proverite podešavanja nakon povezivanja spoljašnje jedinice.

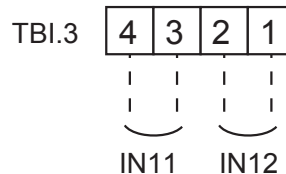
Napomena:

Produžen rad ovog režima može uticati na vek električnog grejača.

5.5 Pametna mreža

U DHW ili grejnom režimu, mogu se koristiti komande iz tabele ispod.

IN11	IN12	Značenje
ISKLJUČENO (otvoreno)	ISKLJUČENO (otvoreno)	Normalan rad
UKLJUČENO (kratko)	ISKLJUČENO (otvoreno)	Preporuka za uključivanje
ISKLJUČENO (otvoreno)	UKLJUČENO (kratko)	Komanda za isključivanje
UKLJUČENO (kratko)	UKLJUČENO (kratko)	Komanda za uključivanje



5.6 Upotreba SD memorijske kartice

Jedinica cilindra je opremljena interfejsom SD memorijske kartice u FTC.

Korišćenje SD memorijske kartice može pojednostaviti podešavanja glavnog daljinskog upravljača i može čuvati radne podatke. *1

*1 Da bi promenili podešavanja glavnog daljinskog upravljača ili da bi došli do radnih podataka, potreban je (za korišćenje sa računarom) Ecodan servisni alat

<Mere opreza prilikom rukovanja>

- (1) Koristite SD memorijsku karticu koja ispunjava SD standarde. Proverite da SD memorijska kartica ima logo od ovih prikazanih na desnoj strani.
- (2) SD memorijska kartica do SD standarda uključujući SD, SDHC, mini SD, micro SD i micro SDHC memorijske kartice. Dostupan kapacitet je do 32 GB. Izaberite to sa maksimalno dozvoljenom temperaturom od 55°C.
- (3) Kada je SD memorijska kartica mini SD, mini SDHC, micro SD, ili micro SDHC, koristite SD adapter.
- (4) Pre snimanja na SD memorijsku karticu, otključajte je na prekidač.



- (5) Pre ubacivanja ili izbacivanja SD memorijske kartice, ugasite sistem. Ako je sistem upaljen prilikom ubacivanja ili izbacivanja SD memorijske kartice, snimljeni podaci mogu biti sa greškom ili će SD memorijska kartica biti oštećena.

*SD memorijska kartica je aktivna kratko vreme nakon isključivanja sistema. Pre ubacivanja ili izbacivanja sačekajte da se sve LED lampe na kontrolnoj tabli isključe.

- (6) Čitanje i pisanje je moguće koristeći SD memorijske kartice, međutim, to ne može biti garantovano jer se specifikacije SD memorijske kartice mogu promeniti.

- (7) Obavezno pratite uputstva i zahteve od proizvođača SD memorijske kartice.
- (8) Formatirajte SD memorijsku karticu ako ne može da se očita u koraku (6). Ovo može osposobiti karticu. Preuzmite program za formatiranje SD kartice sa sledeće veb-stranice. Veb-stranica SD udruženja: <https://www.sdcard.org/home/>
- (9) FTC podržava FAT sistem datoteka, ali ne NTFS sistem datoteka.
- (10) Mitsubishi Electric nije odgovoran za bilo kakva oštećenja, uključujući i neuspeh pisanja na SD memorijsku karticu, kao i greške ili gubitak sačuvanih podataka ili slično. Ako je neophodno, napravite rezervne kopije sačuvanih podataka.
- (11) Ne dirajte elektronske delove na FTC kontrolnoj tabli kada ubacujete ili izbacujete SD memorijsku karticu, u suprotnom bi kontrolna tabla mogla upasti u grešku.

Logotipi		
Kapaciteti		
2 GB do 32 GB *2		
SD klase brzine		
Sve		

- SD logotip je zaštitni znak SD-3C, LLC.
- Mini SD logotip je zaštitni znak SD-3C, LLC.
- Micro SD logotip je zaštitni znak SD-3C, LLC.

*2 A 2-GB SD memorijska kartica čuva podatke do 30 dana.

Proizvođač	Model	Testirano u
Verbatim	#44015	Mar. 2012.
SanDisk	SDSDB-002G-B35	Okt. 2011.
Panasonic	RP-SDP04GE1K	Okt. 2011.
Arvato	2GB PS8032 TSB 24nm MLC	Jun. 2012.
Arvato	2GB PS8035 TSB A19nm MLC	Jul. 2014.
SanDisk	SDSDUN-008G-G46	Okt. 2016.
Verbatim	#43961	Okt. 2016.
Verbatim	#44018	Okt. 2016.
VANTASTEK	VSDHC08	Sep. 2017

Pre korišćenja nove SD memorijske kartice (uključujući i karticu koju dobijate uz jedinicu), prvo proverite da li na SD memorijskoj kartici možete pisati i čitati sa kontrolom FTC.

<Kako da proverite operaciju čitanje i pisanje>

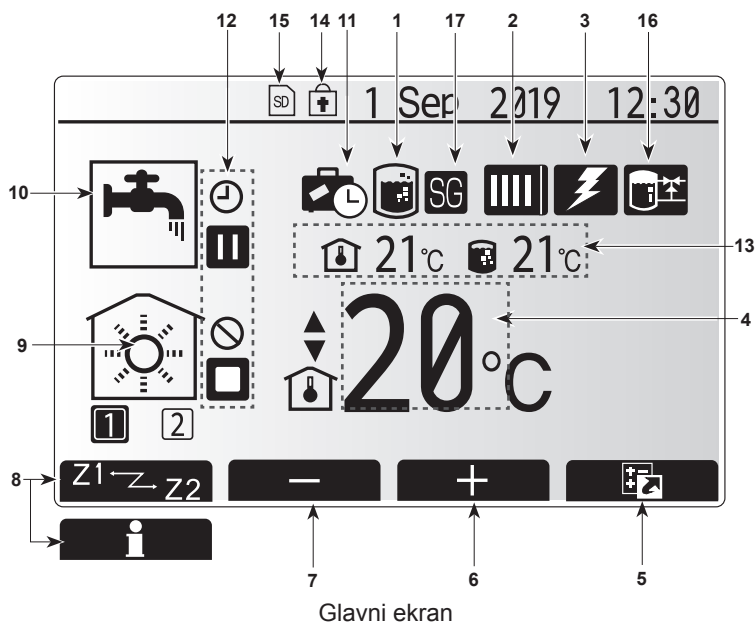
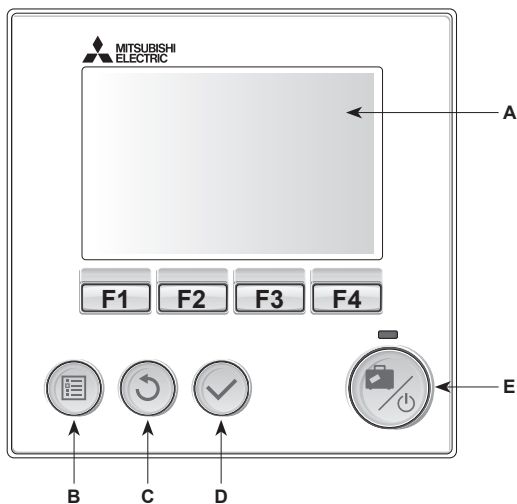
- a) Proverite ispravnost ožičenja napajanja sistema. Za detalje, pogledajte sekciju 4.5. (Nemojte paliti sistem u ovo trenutku.)
- b) Ubacite SD memorijsku karticu.
- c) Upalite sistem.
- d) LED4 lampica svetli ako je operacija čitanja i pisanja uspešno završena. Ako LED4 lampica konstantno treperi ili ne svetli, FTC kontroler ne može da piše ili čita na SD memorijsku karticu.

5 Podešavanje sistema

5.7 Glavni daljinski upravljač

Da biste promenili podešavanja sistema za grejanje/hlađenje, koristite glavni daljinski upravljač koji se nalazi na prednjem panelu jedinice cilindra ili hidrauličnog modula. U nastavku je dat vodič za pregled glavnih podešavanja. Ako su vam potrebne dodatne informacije, obratite se instalateru ili lokalnom distributeru kompanije Mitsubishi Electric.

Režim hlađenja je dostupan isključivo za seriju ERS. Ipak, režim hlađenja nije dostupan kada je unutrašnja jedinica priključena na PUHZ-FRP.



<Delovi glavnog daljinskog upravljača>

Slovo	Naziv	Funkcija
A	Ekran	Ekran na kome se prikazuju sve informacije
B	Meni	Pristup podešavanjima sistema za početno podešavanje i izmene.
C	Nazad	Povratak na prethodni meni.
D	Potvrdi	Koristi se za izbor ili čuvanje. (Taster Enter)
E	Napajanje/ Odmor	Ako je sistem isključen, uključuje se jednim pritiskom. Ponovni pritisak kada je sistem uključen omogućava Režim odmora. Držanje tastera 3 sekunde isključuje sistem. (*1)
F1-4	Funkcijski tasteri	Koriste se za pomeranje kroz meni i prilagođavanje podešavanja. Funkcija se određuje ekranom menija vidljivim na ekranu A.

*1

Kada je sistem isključen ili kada je napajanje isključeno, funkcije za zaštitu jedinice cilindra (npr. funkcija zaštite od zamrzavanja) NEĆE raditi. Obratite pažnju da se jedinica cilindra može potencijalno izložiti oštećenju kada ove bezbednosne funkcije nisu omogućene.

<Ikone glavnog ekrana>

Ikona	Opis
1 Sprečavanje Legionella	Kada je ova ikona prikazana aktivan je „Režim sprečavanja Legionella“.
2 Toplotna pumpa	„Toplotna pumpa“ radi. Odmrzavanje Hitno grejanje Tihi režim je aktivan.
3 Električni grejač	Kada je ova ikona prikazana koriste se „Električni grejači“ (pojačivač ili potopljeni grejač).
4 Ciljna temperatura	Ciljna temperatura protoka Ciljna sobna temperatura Kompenzaciona kriva
5 OPCIJA	Pritiskom na funkcijski taster ispod ove ikone prikazuje se ekran sa opcijama.
6 +	Povećanje željene temperature.
7 -	Smanjenje željene temperature.
8 Z1 Z2	Pritiskom na funkcijski taster ispod ove ikone vrši se promena između Zona1 i Zona2. Informacije Pritiskom na funkcijski taster ispod ove ikone prikazuje se ekran sa informacijama.
9 Režim grejanja/hlađenja prostora	Režim grejanja Zona1 ili Zona2 Režim hlađenja Zona1 ili Zona2
10 Režim DHW	Režim „Normalno“ ili „EKO“
11 Režim odmora	Kada je ova ikona prikazana aktivan je „Režim odmora“.
12	Tajmer Zabranjeno Kontrola servera Pripravnost Pripravnost (*2) Kraj Rad
13 Trenutna temperatura	Trenutna sobna temperatura Trenutna temperatura vode u DHW rezervoaru
14	Taster Meni je zaključan ili je promena režima rada između operacija DHW i Grejanje onemogućena na ekranu sa opcijama.(*3)
15	SD memorijska kartica je ubačena. Normalan rad. SD memorijska kartica je ubačena. Abnormalni rad.
16 Kontrola Tampon rezervoara	Kada je ova ikona prikazana aktivirana je „Buffer tank control“ (Kontrola Tampon rezervoara).
17 Pametna mreža	Kada je ova ikona prikazana „Smart grid ready“ (Pametna mreža) je aktivirana.

*2 Ova jedinica je u pripravnosti dok druge unutrašnje jedinice rade prema prioritetu.

*3 Da biste zaključali ili otključali Meni, istovremeno pritisnite taster NAZAD i POTVRDI na 3 sekunde.

5 Podešavanje sistema

■ [Initial setting wizard] (Čarobnjak početnog podešavanja)

Kada se glavni daljinski upravljač prvi put uključuje, ekran automatski ide u podešavanja Jezika, Datuma/Vremena i Glavno podešavanje, po redu. Upišite željeni broj koristeći funkcijske tastere i pritisnite [CONFIRM] (Potvrdi).

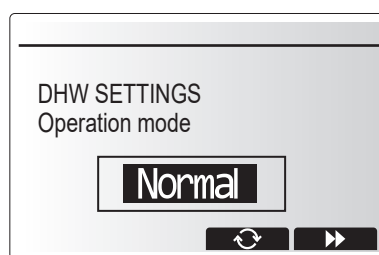
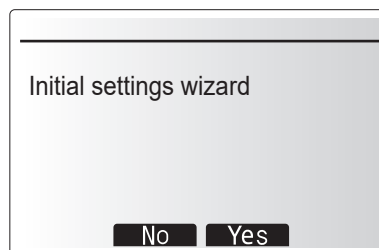
Napomena:

<HEATER CAPACITY RESTRICTION> (Ograničenje kapaciteta grejača)

Ovo podešavanje ograničava kapacitet pomoćnog grejača. NIJE moguće promeniti podešavanje nakon paljenja.

Ako nemate specijalne zahteve (kao što su propisi o zidanju) u svojoj zemlji, preskočite ovo podešavanje (izaberite „No“ (Ne)).

- [Hot water (DHW/Legionella)] (Topla voda (DHW/Legionella))
- [Heating]/[Cooling] (Grejanje)/(Hlađenje)
- [Operation (ON/Prohibited/Timer)] (Operacija (ON/Zabranjeno/Tajmer))
- [Pump speed] (Brzina pumpe)
- [Heat pump flow rate range] (Opseg protoka toplotne pumpe)
- [Mixing valve control] (Kontrolni ventil za mešanje)
- [HEATER CAPACITY RESTRICTION] (Ograničenje kapaciteta grejača)



■ Meni glavnih podešavanja

Meniju glavnih podešavanja možete pristupiti pritiskom na dugme [MENU] (Meni). Da bi se redukovao rizik od neobučениh korisnika koji mogu slučajno izmeniti podešavanja, postoje dva nivoa pristupa glavnim podešavanjima; i meni odeljka za servis je zaštićen lozinkom.

Korisnički nivo - Kratki pritisak

Ako se dugme [MENU] (Meni) pritisne jednom na kratko, glavno podešavanje će se prikazati na ekranu, ali bez funkcije za izmenu. To će omogućiti korisniku da vidi trenutna podešavanja ali **NEĆE** promeniti parametre.

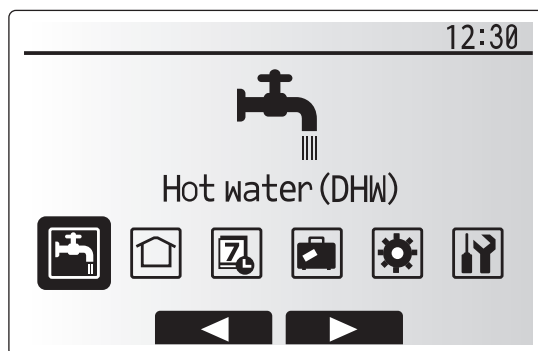
Monterski nivo - Dugi pritisak

Ako se dugme [MENU] (Meni) pritisne na 3 sekunde, glavna podešavanja će se prikazati na ekranu sa svim dostupnim funkcijama.

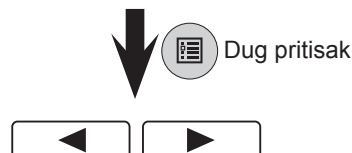
Boja ◀▶ dugmića je obrnuta, kao na desnoj slici. <Slika 5.7.1>

Sljedeće stavke se mogu pogledati i/ili urediti (zavisi od nivoa pristupa).

- [Domestic Hot water (DHW)] (Topla voda)
- [Heating/Cooling] (Grejanje/Hlađenje)
- [Schedule timer] (Tajmer programa)
- [Holiday mode] (Režim odmora)
- [Initial settings] (Početna podešavanja)
- [Service (Password protected)] (Servis (Zaštićeno lozinkom))



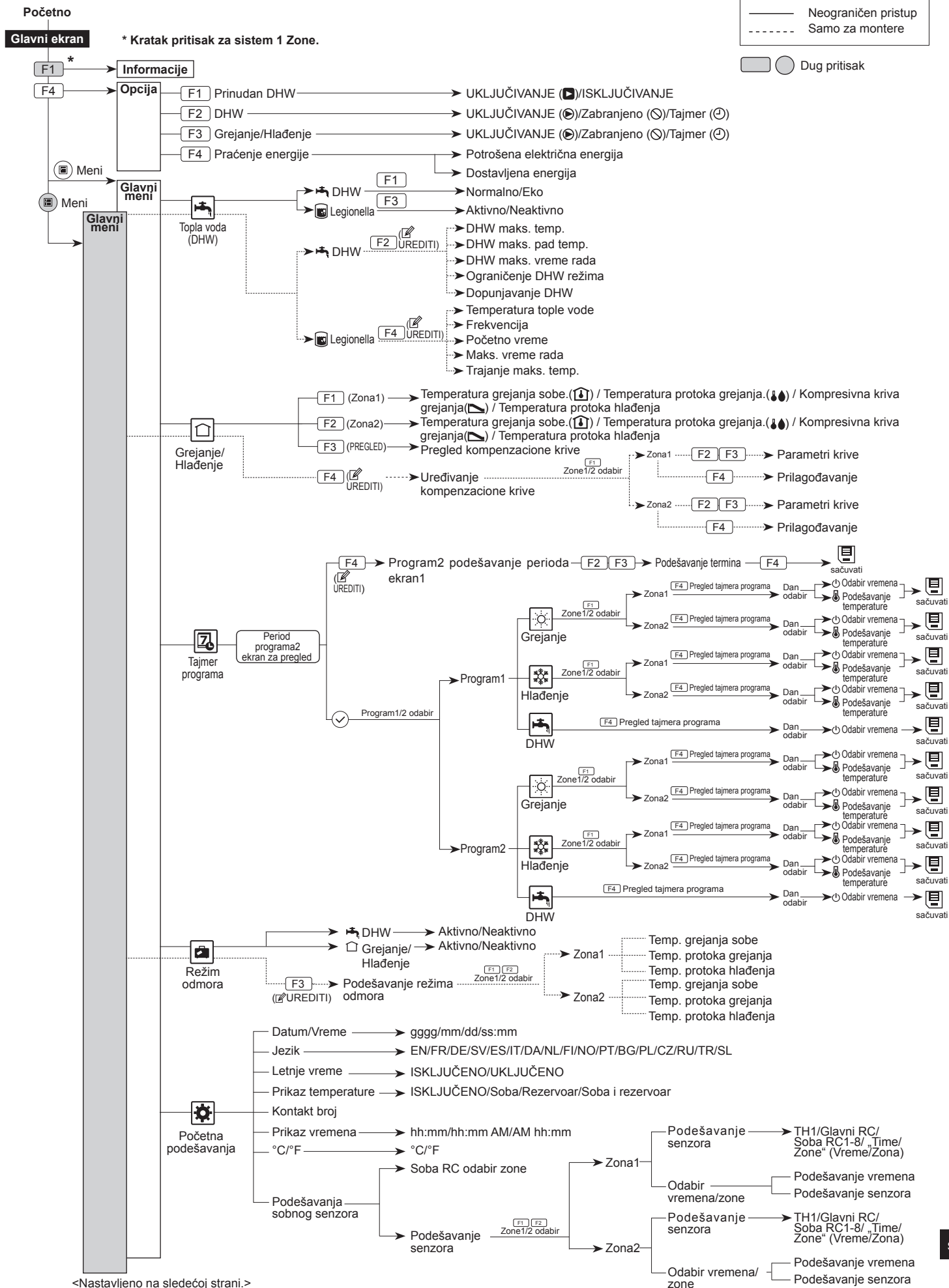
Glavni meni



<Slika 5.7.1>

5 Podešavanje sistema

<Stablo menija Glavnog upravljača>

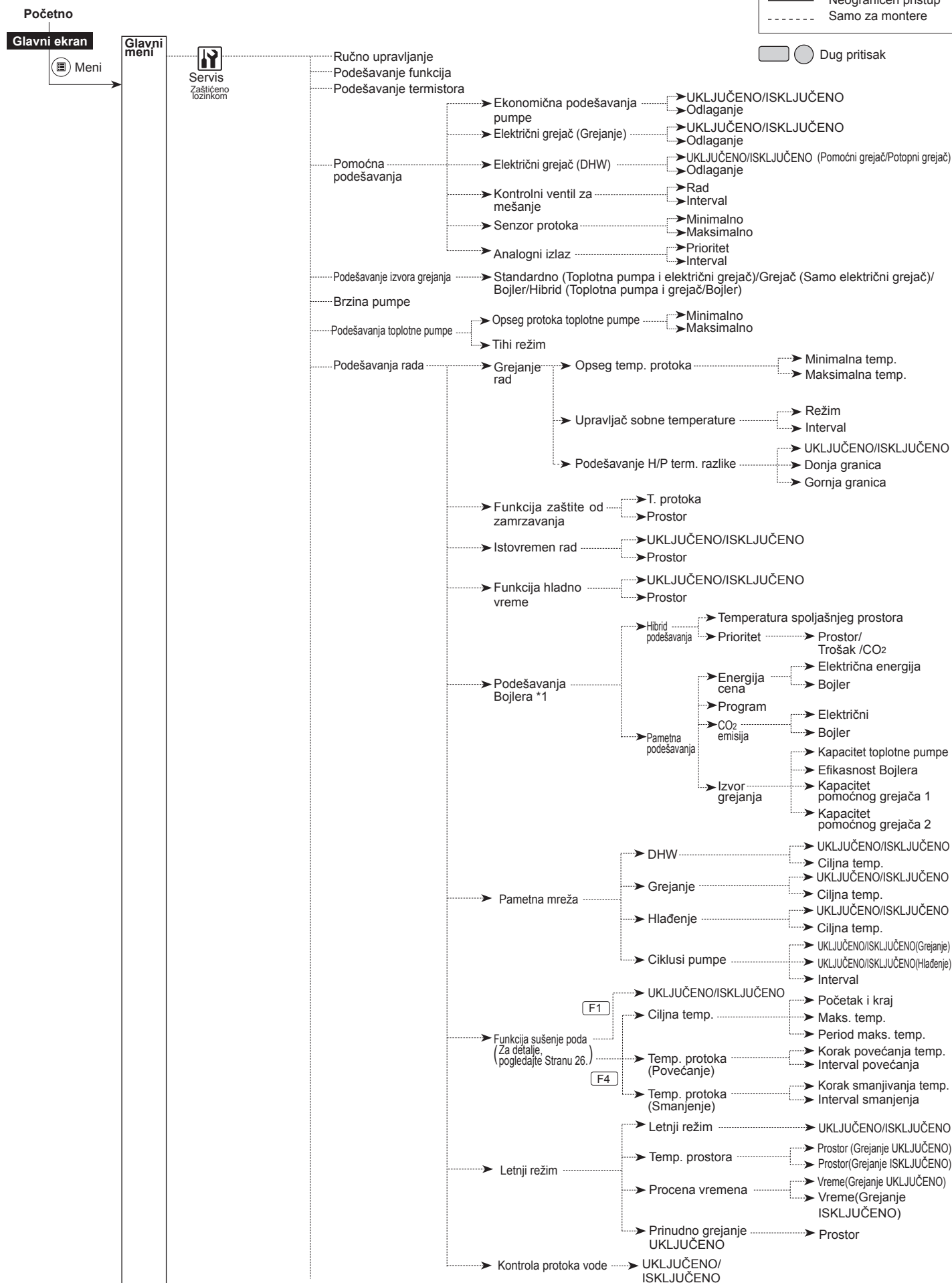


<Nastavljeno na sledećoj strani.>

5 Podešavanje sistema

<Nastavljeno sa predhodne strane.>

<Stablo menija Glavnog upravljača>

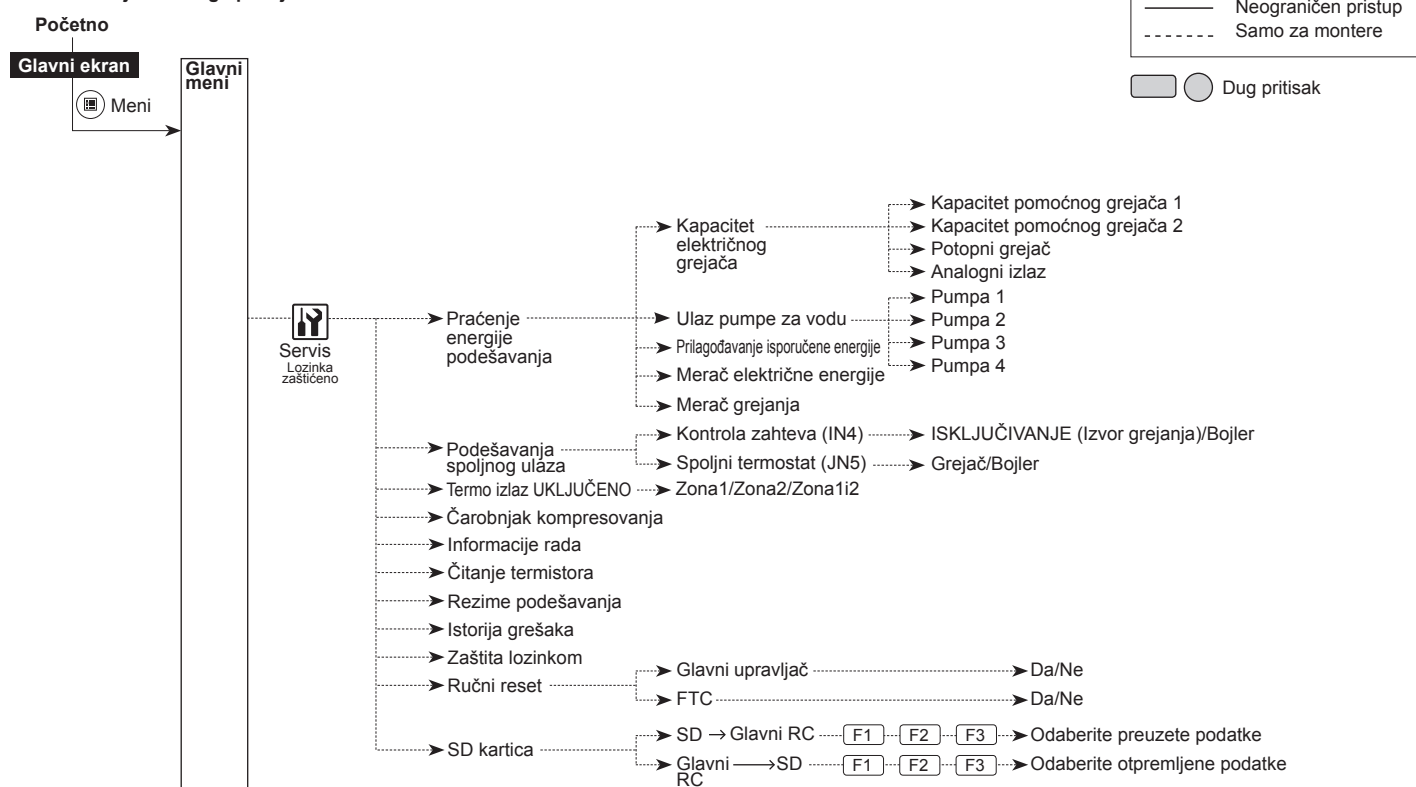


*1 Za još detalja, pogledajte uputstvo za ugradnju PAC-TH012HT-(L)E.

5 Podešavanje sistema

<Nastavljeno sa predhodne strane.>

<Stablo menija Glavnog upravljača>

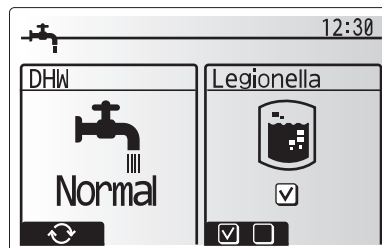


Topla voda (DHW)/Sprečavanje Legionella

Meni sprečavanje Legionella i tople vode kontrolišu zagrevanje DHW rezervoara tokom rada.

<Podešavanje DHW režima>

1. Označite ikonu tople vode i pritisnite [CONFIRM] (Potvrdi).
2. Koristite dugme F1 za promenu režima „Normalno“ i „EKO“.
3. Za uređivanje režima, pritisnite dugme [MENU] (Meni) na 3 sekunde, pa odaberite „hot water“ (topla voda).
4. Pritisnite taster F2 da bi se prikazao meni [HOTWATER (DHW) SETTING] (Podešavanje tople vode (DHW)).
5. Koristite tastere F2 i F3 da biste se pomerili kroz meni naizmeničnim biranjem svake komponente pritiskom na dugme [CONFIRM] (Potvrdi). Vidite objašnjenje za svako podešavanje u tabeli ispod.
6. Upišite željeni broj koristeći funkcijske tastere i pritisnite [CONFIRM] (Potvrdi).



Meni podnaslova	Funkcija	Opseg	Jedinica	Standardna vrednost
DHW maks. temp.	Željena temperatura nakupljene tople vode	40 - 60	°C	50
DHW maks. pad temp.	Razlika u temperaturi između DHW maks. temp. i temperature koja restartuje DHW režim	5 - 30 *	°C	10
DHW maks. vreme rada	Maks. vreme dozvoljeno za grejanje nakupljene vode u DHW režimu	30 - 120	min	60
Ograničenje DHW režima	Vremenski period nakon DHW režima, kada grejanje prostora ima prioritet preko DHW režima da privremeno spreči buduće grejanje nakupljene vode (Samo kada je pauzirano DHW maks. vreme rada.)	30 - 120	min	30

* Kada je DHW maks. temp. podešena na 55°C, temperatura koje restartuje DHW režim mora biti podešena na manje od 50°C da bi zaštitili uređaj.

<Eko režim>

DHW režim može da radi u režimu „Normalno“ ili „Eko“. Režim „Normalno“ će zagrejati vodu u DHW rezervoaru mnogo brže koristeći punu snagu toplotne pumpe. Režimu „Eko“ treba malo više da zagreje vodu u DHW rezervoaru ali je iskorišćenja energija redukovana. Zato što je toplotna pumpa ograničena koristeći signale preko FTC baze na izmerenoj temperaturi DHW rezervoara.

Napomena: Stvarna energija sačuvana u Eko režimu zavisi od spoljne temperature prostora.

<[DHW recharge]>(Dopunjavanje DHW-a)

Izaberite količinu DHW-a. Ako je potrebno mnogo tople vode, izaberite LARGE (Puno), ali povećava troškove.

Vratite se u meni DHW/Sprečavanje Legionella.

5 Podešavanje sistema

Podešavanje Režima sprečavanja Legionella (LP režim)

- Koristite dugme F3 da izaberete aktivnost režima legionella [YES/NO] (Da/Ne).
- Za uređivanje funkcije legionella, pritisnite dugme [MENU] (Meni) na 3 sekunde i izaberite „hot water“ (topla voda), pa pritisnite taster F4.
- Koristite tastere F1 i F2 da biste se pomerili kroz meni naizmeničnim izborom svakog podnaslova pritiskom na dugme [CONFIRM] (Potvrdi). Vidite objašnjenje za svako podešavanje u tabeli ispod.
- Upišite željeni broj koristeći funkcijske tastere i pritisnite [CONFIRM] (Potvrdi).

Tokom rada režima Sprečavanje Legionella, temperatura nakupljene vode je povećana iznad 60°C da spreči rast bakterije legionella. Strogo se preporučuje da se ovo radi u redovnim intervalima. Molimo proverite lokalne propise za preporučenu frekvenciju zagrevanja.

Napomena: Kada dođe do kvara na hidrauličnom modelu, LP režim možda neće funkcionisati normalno.

Meni podnaslova	Funkcija	Opseg	Jedinica	Standardna vrednost
Temperatura tople vode	Željena temp. nakupljene tople vode	60–70	°C	65
Frekvencija	Vreme zagrevanja DHW rezervoara u LP režimu	1–30	dan	15
Početno vreme	Vreme kada će LP režim početi	0:00–23:00	-	03:00
Maks. vreme rada	Maksimalno dozvoljeno vreme zagrevanja DHW rezervoara u LP režimu	1–5	sat	3
Trajanje maks. temp.	Vremenski period nakon LP režima željene temperature vode, je dostignut	1–120	min	30

Obratite pažnju na to da LP režim koristi pomoć električnih grejača kako bi dopunio unos energije toplotne pumpe. Grejanje vode na duže vreme nije efikasno i povećava troškove. Monter treba pažljivo razmotriti nužnost potrebe Sprečavanja Legionella dok ne troši energiju na grejanje nakupljene vode na preterane vremenske periode. Korisnik treba da razume značaj ove funkcije.

UVEK SE POSAVETUJTE SA LOKALNIM I NACIONALNIM SAVETNICIMA VAŠE ZEMLJE U VEZI SA SPREČAVANJEM LEGIONELLA.

[Initial settings] (Početna podešavanja)

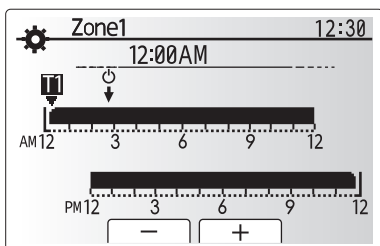
Iz menija početnog podešavanja monter može podesiti sledeće.

- [Date/Time] (Datum/Vreme)
*Obavezno postavite na lokalno standardno vreme.
- [Language] (Jezik)
- [Summer time] (Letnje vreme)
- [Temp. display] (Prikaz temperature)
- [Contact number] (Kontakt broj)
- [Time display] (Prikaz vremena)
- [°C/°F]
- [Room sensor settings] (Podešavanja sobnog senzora)

Pratite proceduru opisanu u odeljku Opšti rad za postavke rada.

<[Room sensor settings]> (Podešavanje sobnog senzora)

Za podešavanja sobnog senzora važno je izabrati odgovarajući sobni senzor u zavisnosti od režima grejanja u kojem će sistem raditi.



Ekran za podešavanje programa Vreme/Zona

Meni podnaslova	Opis		
Soba RC odabir zone	Kada je 2-zonska kontrola temperature aktivna i bežični daljinski upravljači su dostupni, na ekranu za odabir RC zone sobe, odaberite broj zone koji želite da dodelite svakom glavnom daljinskom upravljaču.		
Podešavanje senzora	Iz podešavanja senzora, izaberite sobni senzor da prati sobnu temperaturu iz Zona1 i Zona2 odvojeno.		
	Kontrola opcije (Uputstvo na veb-stranici)	Početna podešavanja odgovarajućeg sobnog senzora	
		Zona1	
		Zona2	
	A	Soba RC 1-8 (po jedan za Zonu1 i Zonu2)	*1
	B	TH1	*1
	C	Glavni daljinski upravljač	*1
	D	*1	*1
	Kada se koriste različiti sobni senzori prema vremenskom programu	Vreme/ Zona*2	*1

*1. Nije precizirano (ako se koristi lokalno nabavljen sobni termostat) Soba RC 1-8 (po jedan za Zonu1 i Zonu2) (ako se bežični daljinski upravljač koristi kao sobni termostat)
*2. Na ekranu za podešavanje senzora, izaberite Time/Zone (Vreme/Zona) da omogućili upotrebu različitih sobnih senzora prema vremenskom programu podešenom u meniju Select Time/Zone (Izbor vremena/zona). Sobni senzori mogu biti uključivani do 4 puta tokom 24 sata.

[Service] (Servis) Meni

Servisni meni pruža funkcije koje se mogu koristiti od strane montera ili servisera. Ovo NIJE namenjeno vlasniku kuće da pravi izmene podešavanja u sklopu ovog menija. Zbog tog razloga je potrebna zaštita lozinkom da se spreči neovlašćen pristup servisnog podešavanja.

Fabrički standardna lozinka je „0000“.

Pratite proceduru opisanu u odeljku Opšti rad za postavke rada.

Mnoge mogućnosti ne mogu biti podešene dok unutrašnja jedinica radi. Monter bi trebao da isključi jedinicu pre nego što pokuša da podesi funkcije. Ako monter pokuša da menja podešavanja dok jedinica radi, glavni daljinski upravljač će izbaciti na ekranu poruku navođenja montera da zaustavi rad pre nastavka. Ako izaberete „Yes“ (Da), jedinica će prestati da radi.

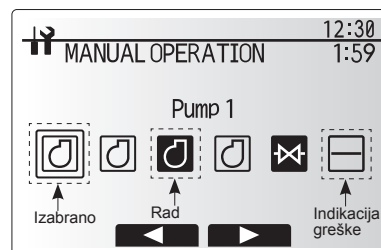
<[Manual operation]> (Ručno upravljanje)

Tokom punjenja sistema, cirkulaciona pumpa glavnog kola i 3-člani ventil se mogu poništiti ručnim upravljanjem.

Kada je izabrano ručno upravljanje, na ekranu će se pojaviti mala ikona tajmera. Kada je izabrana, ova funkcija će ostati u ručnom upravljanju maksimalno 2 sata. Ovo služi za sprečavanje slučajnog trajnog oštećenja FTC.

► Primer

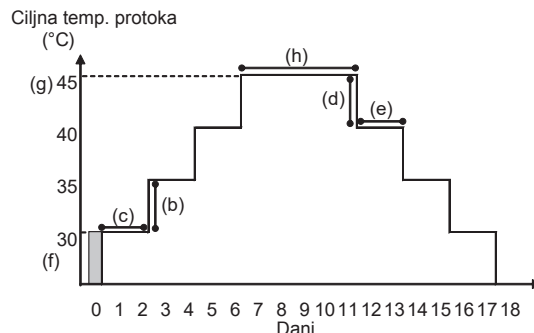
Pritiskom F3 dugmeta uključuje se režim ručnog upravljanja za glavni 3-člani ventil. Kada je završeno punjenje DHW rezervoara, monter treba ponovo da pristupi ovom meniju i pritisne F3 da deaktivira ručno upravljanje dela. Alternativno, nakon 2 sata režim ručnog upravljanja više neće biti aktivan i FTC može nastaviti sa kontrolom jedinice cilindra.



Ekran menija ručnog upravljanja

5 Podešavanje sistema

Podešavanje ručnog upravljanja i izvor grejanja se ne može izabrati ako sistem radi. Zatražite se od montera da zaustavi sistem pre nego što aktivira ove režime. Sistem se automatski zaustavlja 2 sata nakon poslednje operacije.



- Ova funkcija nije dostupna kada je povezana PУHZ-FRP spoljašnja jedinica.
- Odvojite ožičenje od spoljnih ulaza sobnog termostata, kontrole zahteva i spoljašnjeg termostata ili se ciljna temperatura protoka ne može održati.

<[Floor dry up function]> (Funkcija sušenje poda)

Funkcija sušenja poda automatski menja temperaturu tople vode u fazama kako bi postepeno sušio pod kada je ovaj poseban tip sistema podnog grejanja ugrađen.

Po završetku rada sistem zaustavlja sve funkcije osim funkcije zaštite od zamrzavanja.

Za funkciju sušenja poda, ciljna temp. protoka Zona1 je ista kao kod Zona2.

Funkcije	Simbol	Opis	Opcija/Opseg	Jedinica	Standard	
Funkcija sušenje poda	a	Podesite funkciju na UKLJUČENO i upalite sistem koristeći glavni daljinski upravljač i funkcija sušenja će početi.	Uključeno/Isključeno	—	Isključeno	
Temp. protoka (povećanje)	Korak povećanja temp. protoka	b	Postavite korak povećanja na ciljnoj temperaturi protoka.	+1 - +10	°C	+5
	Interval povećanja	c	Postavite period tokom kog će se održavati ista ciljna temperatura protoka.	1 - 7	dan	2
Temp. protoka (smanjenje)	Korak smanjenja temp. protoka	d	Postavite korak smanjenja na ciljnoj temperaturi protoka.	-1 - -10	°C	-5
	Interval smanjenja	e	Postavite period tokom kog će se održavati ista ciljna temperatura protoka.	1 - 7	dan	2
Ciljna temperatura	Početak i kraj	f	Postavite ciljnu temperaturu protoka na početku i kraju rada funkcije.	20 - 60	°C	30
	Maks. ciljna temp.	g	Postavite maksimalnu ciljnu temperaturu protoka.	20 - 60	°C	45
	Period maks. temp.	h	Postavite period tokom kog će se održavati maksimalna temperatura protoka.	1 - 20	dan	5

<[Password protection]> (Zaštita lozinkom)

Zaštita lozinkom je dostupna za sprečavanje neovlašćenog pristupa servisnom meniju od strane neobučenih osoba.

Resetovanje lozinke

Ako zaboravite lozinku koju ste uneli ili morate da servisirate jedinicu koju je neko drugi ugradio, možete resetovati lozinku na fabričke vrednosti **0000**.

1. Iz glavnog podešavanja pomerajte funkcije sve dok ne bude označen Servisni meni.
2. Pritisnite [CONFIRM] (Potvrdi).
3. Bićete navedeni do unosa lozinke.
4. Držite dugmiće F3 i F4 zajedno na 3 sekunde
5. Bićete upitani da li želite da nastavite i resetujete lozinku na standardno podešavanje.
6. Za resetovanje pritisnite dugme F3.
7. Lozinka je sada resetovana na **0000**.

<[Manual reset]> (Ručno resetovanje)

Ako želite da vratite fabrička podešavanja u bilo kom trenutku, koristite funkciju ručnog resetovanja. Imajte na umu da će ovo vratiti SVE funkcije na standardno podešavanje.



Unos lozinke



Potvrda lozinke

6 Puštanje u rad

■ Vežbe pre puštanja u rad - pitko/DHW kolo

Procedura početnog punjenja:

Proverite da li su svi spojevi i spojnice zategnute i osigurane.

Otvorite najudaljeniju DHW slavinu/izlaz.

Polako/postepeno otvorite glavni izvor vode da počne da se puni jedinica i DHW cevovod.

Pustite da voda teče na najudaljenijoj slavini i istera sav vazduh iz instalacije.

Zatvorite slavinu/izlaz kako bi zadržali potpuno napunjen sistem.

Napomena: Kada je ugrađen potopni grejač, NEMOJTE ga napajati dok se rezervoar potpuno ne napuni vodom. Takođe NEMOJTE napajati bilo koji potopni grejač ako u DHW rezervoaru ostane hemikalije za sterilizaciju jer to može prouzrokovati prerani kvar grejača.

Procedura početnog ispiranja:

Stavite pod napon sistem da zagreje sadržaj jedinice cilindra na temperaturu od 30 - 40°C.

Isperite/ispraznite sadržaj vode da biste uklonili sve ostatke/nečistoće koje nastaju usled monterskih radova. Koristite odvodnu slavinu jedinice cilindra za bezbedno pražnjenje zagrejane vode kroz odgovarajuće crevo.

Po završetku, zatvorite odvodnu slavinu, ponovo napunite sistem i nastavite sa puštanjem u rad sistema.

7 Servisiranje i održavanje

■ Šifre grešaka

Šifra	Greška	Postupak
L3	Zaštita od pregrevanja vode.	Opseg protoka se može smanjiti. Proveriti: • Curenje vode • Blokadu sita • Funkciju pumpe za cirkulaciju vode (Šifra greške se može prikazati tokom punjenja glavnog kola, završite punjenje i resetujte šifru greške.)
L4	Zaštita pregrevanja vode u DHW rezervoaru.	Proverite potopni grejač i njegov kontaktor.
L5	Kvar termistora temperature unutrašnje jedinice (THW1, THW2, THW5A, THW5B, THW6, THW7, THW8, THW9)	Proverite otpornost na termistoru.
L6	Zaštita od zamrzavanja vode.	Pogledajte postupak za L3.
L8	Greška u režimu grejanja	Proverite i ponovo priključite termistore koji su se možda otkacili.
L9	Nizak protok glavnog kola koji je otkriven pomoću senzora protoka ili prekidača protoka (prekidači protoka 1, 2, 3)	Pogledajte postupak za L3. Ako je neispravan senzor protoka ili prekidač protoka, zamenite ga. Pažnja: Molimo pripazite, ventili pumpe mogu biti vrući.
LA	Greška senzora pritiska	Proverite kabl senzora pritiska zbog mogućeg oštećenja ili labavog priključka.
LB	Zaštita od visokog pritiska	• Protok grejnog kola se može biti smanjen. Proverite kolo vode. • Pločasti izmenjivač toplote može biti zamašćen. Proverite pločasti izmenjivač toplote. • Greška spoljašnje jedinice. Pogledajte servisno uputstvo spoljašnje jedinice.
LC	Zaštita od pregrevanja vode u bojleru	Proverite da li podešena temperatura u bojleru za grejanje prelazi ograničenja. (Pogledajte uputstvo za termistore „PAC-TH012HT-E“) Protok grejnog kola iz bojlera može biti smanjen. Proveriti • curenje vode • blokadu sita • funkciju pumpe za cirkulaciju vode.
LD	Greška termistora temperature u Bojleru (THWB1)	Proverite otpornost na termistoru.
LE	Greška u radu Bojlera	Pogledajte postupak za L8. Pogledajte status bojlera.
LF	Greška senzora protoka	Proverite kabl senzora protoka zbog mogućeg oštećenja ili labavog priključka.
LH	Zaštita od zamrzavanja vode u bojleru.	Protok grejnog kola iz bojlera može biti smanjen. Proveriti • curenje vode • blokadu sita • funkciju pumpe za cirkulaciju vode.
LJ	Greška DHW rada (Spoljni pločasti HEX)	• Proverite de li je otpornik niže temp. DHW rezervoara u prekidu (THW5B). • Protok sanitarnog kola može biti smanjen. • Proverite funkciju pumpe za cirkulaciju vode. (glavno / sanitarno)
LL	Greška u podešavanju DIP prekidača na FTC kontrolnoj tabli	Za rad bojlera, proverite da je DIP SW1-1 podešen na ON (Sa Bojlerom) i DIP SW2-6 podešen na ON (Sa Rezervoarom za mešanje). Za kontrolu 2-zonske temperature, proverite da je DIP SW2-7 podešen na ON (2-zonski) i DIP SW2-6 podešen na ON (Sa Rezervoarom za mešanje).
LP	Bez opsega protoka vode pumpe spoljašnje jedinice	Proverite tablu montaže 4.3.1 Proverite podešavanja daljinskog upravljača (Servisni meni / opseg protoka toplotne pumpe) Pogledajte postupak za L3.
P1	Otpornik (Sobna temp.) (TH1) greška	Proverite otpornost na termistoru.
P2	Otpornik (Ref. temperatura tečnosti) (TH2) greška	Proverite otpornost na termistoru.
P6	Zaštita protiv zamrzavanja pločastog izmenjivača toplote	Pogledajte postupak za L3. Proverite ispravnu količinu rashladnog sredstva.
J0	Greška u komunikaciji između FTC i bežičnog prijemnika	Proverite kabl zbog mogućeg oštećenja ili labavog priključka.
J1 - J8	Greška u komunikaciji između bežičnog prijemnika i bežičnog daljinskog upravljača	Proverite baterije na daljinskom upravljaču. Proverite uparivanje između bežičnog prijemnika i bežičnog daljinskog upravljača. Testirajte bežičnu komunikaciju. (Pogledajte uputstvo bežičnog sistema)
E0 - E5	Greška u komunikaciji između glavnog daljinskog upravljača i FTC-a	Proverite kabl zbog mogućeg oštećenja ili labavog priključka.
E6 - EF	Greška u komunikaciji između FTC-a i spoljašnje jedinice	Proverite da nije spoljašnja jedinica isključena. Proverite kabl zbog mogućeg oštećenja ili labavog priključka. Pogledajte servisno uputstvo spoljašnje jedinice.
E9	Spoljašnja jedinica ne dobija signal od unutrašnje jedinice.	Proveriti da li obe jedinice uključene. Proverite kabl zbog mogućeg oštećenja ili labavog priključka. Pogledajte servisno uputstvo spoljašnje jedinice.
EE	Greška kombinacije između FTC-a i spoljašnje jedinice	Pogledajte kombinaciju FTC-a i spoljašnje jedinice.
U*, F*	Greška spoljašnje jedinice	Pogledajte servisno uputstvo spoljašnje jedinice.
A*	M-NET greška u komunikaciji	Pogledajte servisno uputstvo spoljašnje jedinice.

Napomena: Da ugasisite šifre grešaka molimo da isključite sistem (pritisnite dugme F4(RESET) na glavnom daljinskom upravljaču).

7 Servisiranje i održavanje

Godišnje održavanje

Bitno je da jedinica cilindra bude servisirana bar jednom godišnje od strane kvalifikovane osobe. Svi potrebni delovi bi trebali biti kupljeni od Mitsubishi Electric-a. NIKADA nemojte zaobilaziti sigurnosne uređaje ili upravljati jedinicom bez njihove potpune funkcionalnosti. Za više detalja, pogledajte servisni priručnik.

Napomena

- U prvih par meseci od ugradnje, skinite i očistite sito iz jedinice cilindra plus svaki dodatni deo filtera koji su postavljeni izvan jedinice cilindra. Ovo je posebno važno kada se ugrađuje na stari/postojeći sistem instalacija.
- PRV i T&P ventile (broj 8, 20 i 21 na slici 3.1) bi trebalo proveriti jednom godišnje okretanjem glave ručno tako da sredina bude otkaçena, čime se čisti sedište ležaja.

U dodatnom godišnjem servisu je neophodno zameniti ili pregledati neke delove nakon izvesnog rada sistema. Pogledajte tabele u nastavku koje sadrže detaljna uputstva. Zamenu i proveru delova uvek treba da izvrši odgovarajuća osoba sa odgovarajućom praksom i kvalifikacijama.

Delovi koji zahtevaju redovnu zamenu

Delovi	Zameniti na svakih	Moguće greške
Ventil za regulaciju pritiska (PRV) Manometar Kontrola grupnog ulaza (ICG)*	6 godina	Curenje vode

* OPCIONI DELOVI za UK

Delovi koji zahtevaju redovnu proveru

Delovi	Provera svakih	Moguće greške
Ventil za regulaciju pritiska (3 bara) Ventil za regulaciju temperature i pritiska	1 godina (ručno okretanje glave)	PRV bi bio fiksiran i ekspanziona posuda bi eksplodirala
Potopni grejač	2 godine	Uzemljenje prouzrokuje aktivnost osigurača (Grejač je uvek isključen)
Pumpe za cirkulaciju vode (Glavno kolo)	20.000 sati (3 godine)	Greška pumpe za cirkulaciju vode

Delovi koji se NE smeju ponovo koristiti prilikom servisiranja

- * O-prsten
- * Zaptivač

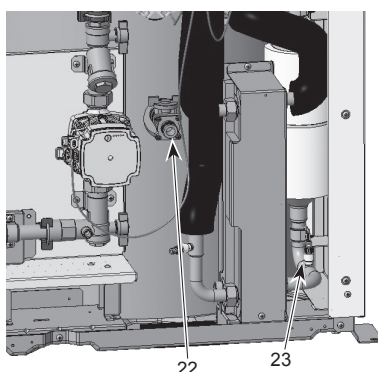
Napomena:

- Zamenite zaptivač za pumpu sa novim prilikom svakog redovnog održavanja (na svakih 20.000 sati korišćenja ili na svake 3 godine).

<Pražnjenje jedinice cilindra i sanitarnog grejnog kola (lokalno)>

UPOZORENJE: ISPUŠTENA VODA MOŽE BITI VEOMA VRUĆA

1. Pre nego što pokušate da ispraznite jedinicu cilindra, odvojite je od električnog napajanja kako biste sprečili da potopni i pomoćni grejač izgore.
2. Odvojite dovod hladne vode u DHW rezervoar.
3. Otvorite toplu vodu da ide da bi sprečili stvaranje vakuma.
4. Zakačite crevo za odvodnu slavinu DHW rezervoara (Broj 22 i 23 na Slici 7.1). Crevo treba da bude u stanju da izdrži toplotu, jer voda za pražnjenje može biti veoma vruća. Crevo treba da se odvodi na mesto koje je niže od dna rezervoara DHW da bi se podstaklo sifoniranje. Počnite pražnjenje otvaranjem odvodne slavine.
5. Kada je DHW rezervoar ispražnjen, zatvorite odvodnu slavinu i vruću vodu.
6. Za glavno kolo, zakačite crevo na odvodne slavine glavnog kola (Broj 6 na slici 3.1). Crevo treba da bude u stanju da izdrži toplotu, jer voda za pražnjenje može biti veoma vruća. Crevo treba da se odvodi na mesto koje je niže od odvodne slavine da bi se podstaklo sifoniranje. Otvorite ventile pumpe i ventile sa sitom.
7. Voda ostaje u situ i nakon pražnjenja jedinice cilindra.
Ispraznite sito skidanjem poklopca sita.



<Slika 7.1>

7 Servisiranje i održavanje

Obrasci za inženjera

Podešavanja bi trebalo promeniti od standardnog, molimo unesite i snimite novo podešavanje u kolonu „Podešavanje polja“. Ovo će ublažiti resetovanje u budućnosti, ukoliko se promeni upotreba sistema ili ploča se mora zameniti.

List sa evidencijom puštanja u rad/podešavanjima polja

Ekran glavnog daljinskog upravljača		Parametri	Standardno podešavanje	Polje podešavanja	Napomene		
Glavni	Zona1 temp. grejanja sobe	10°C - 30°C	20°C				
	Zona2 temp. grejanja sobe *12	10°C - 30°C	20°C				
	Zona1 temp. protoka grejanja	20°C - 60°C	45°C				
	Zona2 temp. protoka grejanja *1	20°C - 60°C	35°C				
	Zona1 temp. protoka hlađenja *13	5°C - 25°C	15°C				
	Zona2 temp. protoka hlađenja *13	5°C - 25°C	20°C				
	Zona1 kompenzaciona kriva grejanja	-9°C - +9°C	0°C				
	Zona2 kompenzaciona kriva grejanja *1	-9°C - +9°C	0°C				
	Režim odmora	Aktivno/Neaktivno/Podešavanje vremena	—				
Opcija	Prinudan DHW rad	Uključeno/Isključeno	—				
	DHW	Uključeno/Isključeno/Tajmer	Uključeno				
	Grejanje/Hlađenje *13	Uključeno/Isključeno/Tajmer	Uključeno				
	Praćenje energije	Potrošena električna energija/Isporučena energija	—				
Podešavanje	DHW	Režim rada	Normalno/Eko *15	Normalno			
		DHW maks. temp.	40°C - 60°C *2	50°C			
		DHW pad temp.	5°C - 30°C	10°C			
		DHW maks. vreme rada	30 - 120 min	60 min			
		Ograničenje DHW režima	30 - 120 min	30 min			
		Dopunjavanje DHW	Veliko/Standardno	Standardno			
		Da/Ne	Da				
	Sprečavanje Legionella	Aktivno	60°C - 70°C *2	65°C			
		Temperatura tople vode	1 - 30 dana	15 dana			
		Frekvencija	00:00 - 23:00	03:00			
		Početno vreme	1 - 5 sati	3 sata			
		Maks. vreme rada	1 - 120 min	30 min			
		Trajanje maksimalne temp.	Temp. grejanja sobe/ Temp. protoka grejanja/ Kompenzaciona kriva grejanja/Temp. protoka hlađenja	Temp. sobe			
		Zona2 režim rada *1	Temp. grejanja sobe/ Temp. protoka grejanja/ Kompenzaciona kriva grejanja/Temp. protoka hlađenja	Kompenzaciona kriva			
	Kompenzaciona kriva	Tačka visoke temp. protoka	Zona1 temperatura spoljašnjeg prostora	-30°C - +33°C *3	-15°C		
			Zona1 temp. protoka	20°C - 60°C	50°C		
			Zona2 temperatura spoljašnjeg prostora *1	-30°C - +33°C *3	-15°C		
			Zona2 temp. protoka *1	20°C - 60°C	40°C		
			Zona1 temperatura spoljašnjeg prostora	-28°C - +35°C *4	35°C		
			Zona1 temp. protoka	20°C - 60°C	25°C		
		Tačka niske temp. protoka	Zona2 temperatura spoljašnjeg prostora *1	-28°C - +35°C *4	35°C		
			Zona2 temp. protoka *1	20°C - 60°C	25°C		
			Podesiti	Zona1 temperatura spoljašnjeg prostora	-29°C - +34°C *5	—	
				Zona1 temp. protoka	20°C - 60°C	—	
				Zona2 temperatura spoljašnjeg prostora *1	-29°C - +34°C *5	—	
				Zona2 temp. protoka *1	20°C - 60°C	—	
	Odmor	DHW		Aktivno/Neaktivno	Neaktivno		
Grejanje/Hlađenje *13		Aktivno/Neaktivno		Aktivno			
Zona1 temp. grejanja sobe		10°C - 30°C	15°C				
Zona2 temp. grejanja sobe *12		10°C - 30°C	15°C				
Zona1 temp. protoka grejanja		20°C - 60°C	35°C				
Zona2 temp. protoka grejanja *1		20°C - 60°C	25°C				
Zona1 temp. protoka hlađenja *13		5°C - 25°C	25°C				
Zona2 temp. protoka hlađenja *13		5°C - 25°C	25°C				
Početna podešavanja		Jezik	EN/FR/DE/SV/ES/IT/DA/NL/FI/NO/PT/BG/PL/CZ/RU/TR/SL	EN			
		°C/°F	°C/°F	°C			
	Letnje vreme	Uključeno/Isključeno	Isključeno				
	Prikaz temperature	Soba/DHW rezervoar/Soba i DHW rezervoar/Isključeno	Isključeno				
	Prikaz vremena	hh:mm/hh:mm AM/AM hh:mm	hh:mm				
	Podešavanja sobnog senzora Zona1	TH1/Glavni RC/Soba RC1-8/„Time/Zone“ (Vreme/ Zona)	TH1				
	Podešavanja sobnog senzora Zona2 *1	TH1/Glavni RC/Soba RC1-8/„Time/Zone“ (Vreme/ Zona)	TH1				
	Sobni RC odabir zona *1	Zona1/Zona2	Zona1				
	Servisni meni	Podešavanje termistora	THW1	-10°C - +10°C	0°C		
			THW2	-10°C - +10°C	0°C		
THW5A			-10°C - +10°C	0°C			
THW5B			-10°C - +10°C	0°C			
THW6			-10°C - +10°C	0°C			
THW7			-10°C - +10°C	0°C			
THW8			-10°C - +10°C	0°C			
THW9			-10°C - +10°C	0°C			
THW10			-10°C - +10°C	0°C			
THWB1			-10°C - +10°C	0°C			
Pomoćna podešavanja			Ekonomična podešavanja pumpe.	Uključeno/Isključeno *6 Odloži (3 - 60 min)	Uključeno 10 min		
		Električni grejač (Grejanje)	Grejanje prostora: Uključeno (u upotrebi)/ Isključeno (van upotrebe) Odloži tajmer električnog grejača (5 - 180 min)	Uključeno 30 min			
		Električni grejač (DHW)	Pomoćni grejač	DHW: Uključeno (u upotrebi)/ Isključeno (van upotrebe)	Uključeno		
			Potopni grejač	DHW: Uključeno (u upotrebi)/ Isključeno (van upotrebe)	Uključeno		
			Odloži tajmer električnog grejača (15 - 30 min)	15 min			
		Kontrolni ventil za mešanje	Funkcija (10 - 240 sek.) Interval (1 - 30 min)	120 sek. 2 min			
		Senzor protoka *17	Minimalno(0 - 100 L/min)	5 L/min			
			Maksimalno(0 - 100 L/min)	100 L/min			
		Analogni izlaz	Interval (1 - 30 min)	5 min			
Prioritet (Normalno/Visoko)			Normalno				

(Nastavak na sledećoj strani.)

7 Servisiranje i održavanje

■ Obrasci za inženjera

List sa evidencijom puštanja u rad/podešavanjima polja (nastavljeno sa predhodne strane)

Ekran glavnog daljinskog upravljača			Parametri		Standardno podešavanje	Polje podešavanja	Napomene			
Podešavanje	Servisni meni	Brzina pumpe	DHW	Brzina pumpe(1 - 5)	5					
			Grejanje/Hlađenje	Brzina pumpe(1 - 5)	5					
		Podešavanje izvora grejanja		Standardno/Grejač/Bojler/Hibrid *7		Standardno				
		Podešavanje toplotne pumpe	Opseg protoka toplotne pumpe	Minimalno(0 - 100 L/min)	5 L/min					
				Maksimalno(0 - 100 L/min)	100 L/min					
			Tihi režim	Dan (Pon - Ned)	—					
		Podešavanja rada	Grejanje *8	Opseg temp. protoka *10	Minimalna temp.(20 - 45°C)	30°C				
					Maksimalna temp.(35 - 60°C)	50°C				
				Upravljač sobne temperature *14	Režim(Normalno/Brzo)	Normalno				
			Podešavanje termo razlike toplotne pumpe	Interval(10 - 60 min)	Uključeno/Isključeno *6	Uključeno				
					Donja granica(-9 - -1°C)	-5°C				
					Gornja granica(+3 - +5°C)	5°C				
			Funkcija zaštite od zamrzavanja *11		Temperatura spoljašnjeg prostora (3 - 20°C) / **		5°C			
			Istovremen rad (DHW/Grejanje)		Uključeno/Isključeno *6		Isključeno			
			Funkcija hladno vreme		Temperatura spoljašnjeg prostora (-30 - +10°C) *3		-15°C			
					Uključeno/Isključeno *6		Isključeno			
			Rad bojlera		Temperatura spoljašnjeg prostora (-30 - -10°C) *3		-15°C			
					Hibrid podešavanja	Temperatura spoljašnjeg prostora (-30 - +10°C) *3		-15°C		
			Režim prioriteta (Prostor/Trošak/CO ₂) *16			Prostor				
			Rast temperature spoljašnjeg prostora (+1 - +5°C)			+3°C				
			Pametno podešavanje		Cena energije *9	Električna energija (0,001 - 999 */kWh)	0,5 */kWh			
		Bojler (0,001 - 999 */kWh)				0,5 */kWh				
		CO ₂ emiter			Električna energija (0,001 - 999 kg -CO ₂ /kWh)	0,5 kg -CO ₂ /kWh				
					Bojler (0,001 - 999 kg -CO ₂ /kWh)	0,5 kg -CO ₂ /kWh				
		Izvor grejanja			Kapacitet toplotne pumpe (1 - 40 kW)		11,2 kW			
					Efikasnost bojlera (25 - 150%)		80%			
			Kapacitet pomoćnog grejača 1 (0 - 30 kW)		2 kW					
				Kapacitet pomoćnog grejača 2 (0 - 30 kW)		4 kW				
		Pametna mreža		DHW	Uključeno/Isključeno		Isključeno			
					Ciljna temp(+1 - +20°C) / -- (Neaktivno)		--			
				Grejanje	Uključeno/Isključeno		Isključeno			
					Ciljna temp.	Preporuka za uključivanje(20 - 60°C)	50°C			
						Komanda uključivanja(20 - 60°C)	55°C			
				Hlađenje	Uključeno/Isključeno		Isključeno			
					Ciljna temp.	Preporuka za uključivanje(5 - 25°C)	15°C			
						Komanda uključivanja(5 - 25°C)	10°C			
				Ciklusi pumpe		Grejanje (Uključeno/Isključeno)		Uključeno		
						Hlađenje (Uključeno/Isključeno)		Uključeno		
				Interval(10-120 min)		10 min				
		Funkcija sušenja poda		Uključeno/Isključeno *6		Isključeno				
				Ciljna temp.	Početak i kraj (20 - 60°C)	30°C				
					Maks. temp. (20 - 60°C)	45°C				
					Period maks. temp. (1 - 20 dana)	5 dana				
				Temp. protoka (Povećanje)	Korak povećanja temp. (+1 - +10°C)		+5°C			
					Interval povećanja (1 - 7 dana)		2 dana			
				Temp. protoka (Smanjenje)	Korak smanjivanja temp. (-1 - -10°C)		-5°C			
		Interval smanjenja (1 - 7 dana)			2 dana					
Letnji režim		Uključeno/Isključeno		Isključeno						
		Temperatura spoljašnjeg prostora	Grejanje UKLJUČENO (4-19°C)		10°C					
			Grejanje ISKLJUČENO (5-20°C)		15°C					
		Vreme procene	Grejanje UKLJUČENO (1-48 sati)		6 sati					
			Grejanje ISKLJUČENO (1-48 sati)		6 sati					
		Prinudno grejanje UKLJUČENO (-30 - 10°C)				5°C				
Kontrola protoka vode		Uključeno/Isključeno		Isključeno						

(Nastavak na sledećoj strani.)

7 Servisiranje i održavanje

■ Obrasci za inženjera

List sa evidencijom puštanja u rad/podešavanjima polja (nastavljeno sa predhodne strane)

Ekran glavnog daljinskog upravljača				Parametri	Standardno podešavanje	Polje podešavanja	Napomene	
Servisni meni	Podešavanja praćenja energije	Kapacitet električnog grejača	Kapacitet pomoćnog grejača 1	0 - 30 kW	2 kW			
			Kapacitet pomoćnog grejača 2	0 - 30 kW	4 kW			
			Kapacitet potopnog grejača	0 - 30 kW	0 kW			
			Analogni izlaz	0 - 30 kW	0 kW			
		Prilagodavanje isporučene energije			-50 - +50%	0%		
		Ulaz pumpe za vodu	Pumpa 1	0 - 200 W ili *** (fabrički ugrađena pumpa)		***		
			Pumpa 2	0 - 200 W		0 W		
			Pumpa 3	0 - 200 W		0 W		
			Pumpa 4	0 - 200 W		72 W		
		Merač električne energije			0,1/1/10/100/1000 puls/kWh	1 puls/kWh		
	Merač grejanja			0,1/1/10/100/1000 puls/kWh	1 puls/kWh			
	Podešavanja spoljnog ulaza	Kontrola zahteva (IN4)		Izvor grejanja ISKLJUČENO/Rad bojlera	Rad Bojlera			
		Spoljni termostat (IN5)		Rad grejanja/Rad bojlera	Rad Bojlera			
	Termo izlaz UKLJUČENO			Zona1/Zona2/Zona1i2	Zona1i2			

*1 Podešavanja vezano za Zonu2 mogu se uključiti samo kada je omogućena kontrola temperature u zoni 2 (kada su DIP SW2-6 i SW2-7 UKLJUČENI).

*2 Model bez pomoćnog i potopnog grejača, možda neće dostići podešenu temperaturu u zavisnosti od temperature spoljnog prostora.

*3 Donja granica je -15°C u zavisnosti od povezane spoljašnje jedinice.

*4 Donja granica je -13°C u zavisnosti od povezane spoljašnje jedinice.

*5 Donja granica je -14°C u zavisnosti od povezane spoljašnje jedinice.

*6 Ukjučeno: funkcija je aktivna; Isključeno: funkcija je neaktivna.

*7 Kada je DIP SW1-1 podešen na ISKLJUČENO „WITHOUT Boiler“ (BEZ bojlera) ili je SW2-6 podešen na ISKLJUČENO „WITHOUT Mixing tank“ (BEZ rezervoara za mešanje), ni Bojler ni Hibrid ne mogu biti izabrani.

*8 Važi samo kada je u funkciji režim kontrole temperature sobe.

*9 „**“ od „*/kWh“ predstavljaju valutu jedinice (npr. € ili £ ili slično)

*10 Važi samo u kada je upaljena temperatura Grejanja sobe.

*11 Ako je izabrano obeležje zvezdicom (**) onda je funkcija zaštite od zamrzavanja deaktivirana. (tj. rizik od zamrzavanja glavne vode)

*12 Podešavanja vezano za Zonu2 mogu se uključiti samo kada je omogućena 2-zonska kontrola temperature ili je aktivna kontrola UKLJUČENJA/ISKLJUČENJA 2-zonskog ventila.

*13 Podešavanja režima hlađenja su dostupna samo za seriju ER.

*14 Kada je DIP SW5-2 podešen na ISKLJUČENO, funkcija je aktivna.

*15 Kada je jedinica cilindra povezana sa PUMY-P spoljašnjom jedinicom, model je zaključan na „Normal“.

*16 Kada je jedinica cilindra povezana sa PUMY-P spoljašnjom jedinicom, model je zaključan na „Ambient“.

*17 Nemojte menjati podešavanja kada se postave po specifikaciji senzora protoka priključenog na jedinicu cilindra.

EG DECLARATION OF CONFORMITY
EG-KONFORMITÄTSEKHLÄRUNG
DÉCLARATION DE CONFORMITÉ CE
EG-CONFORMITEITSEVERKLARING
DECLARACIÓN DE CONFORMIDAD CE
DICHIARAZIONE DI CONFORMITÀ CE
ΔΗΛΩΣΗ ΠΙΣΤΟΤΗΤΑΣ ΕΚ

DECLARAÇÃO DE CONFORMIDADE CE
EU-OVERENSSTEMMELSESERKLÆRING
EG-DEKLARATION OM ÖVERENSSTÄMMELSE
EC UYGUNLUK BEYANI
ДЕКЛАРАЦИЯ СООТВЕТСТВИЯ НОРМАМ ЕС
ДЕКЛАРАЦІЯ ВІДПОВІДНОСТІ НОРМАМ ЄС
ЕС ДЕКЛАРАЦІЯ ЗА СЪОТВЕТСТВИЕ

DEKLARACJA ZGODNOŚCI WE
CE-ERKLÆRING OM SAMSVAR
EY-VAATIMUSTENMUKAISUUSVAKUUTUS
ES PROHLÁŠENÍ O SHODĚ
VYHLÁSENIE O ZHODE ES
EK MEGFELELŐSÉGI NYILATKOZAT
IZJAVA O SKLADNOSTI ES

DECLARAȚIE DE CONFORMITATE CE
EŪ VASTAVUSDEKLARATSIOON
EK ATBILSTĪBAS DEKLARĀCIJA
EB ATITIKTIES DEKLARACIJA
EZ IZJAVA O SUKLADNOSTI
EZ IZJAVA O USAGLAŠENOSTI

NETTLEHILL ROAD, HOUSTOUN INDUSTRIAL ESTATE, LIVINGSTON, EH54 5EQ, SCOTLAND, UNITED KINGDOM

hereby declares under its sole responsibility that the heating system components described below for use in residential, commercial and light-industrial environments:
erklärt hiermit auf seine alleinige Verantwortung, dass die unten beschriebenen Zubehörteile für das Heizungs-System zur Benutzung im häuslichen, kommerziellen und leicht-industriellen Umfeld:
déclare par la présente et sous son entière responsabilité que les composants du système de chauffage décrits ci-dessous pour l'utilisation dans des environnements résidentiels, commerciaux et d'industrie légère :
verklaart hierbij als enige verantwoordelijke dat de componenten van het verwarmingssteeem die hieronder worden beschreven, bedoeld zijn voor gebruik in woonomgevingen en in commerciële en licht industriële omgevingen:
declara por la presente bajo su responsabilidad exclusiva que los componentes del sistema de calefacción descritos a continuación para su uso en zonas residenciales, comerciales y para la industria ligera:
con la presente dichiara, sotto la sua esclusiva responsabilità, che i componenti dell'impianto di riscaldamento descritto di seguito, destinato all'uso in ambienti residenziali, commerciali e industriali:
διά του παρόντος δηλώνει υπό αποκλειστική ευθύνη της ότι τα εξαρτήματα του συστήματος θέρμανσης που περιγράφονται παρακάτω για χρήση σε κατοικημένες, εμπορικές και ελαφριές βιομηχανικές περιοχές,
através da presente declara sob sua única responsabilidade que os componentes do sistema de aquecimento abaixo descritos para uso residencial, comercial e de indústria ligeira:
erklærer hermed under eneansvar, at de herunder beskrevne komponenter til opvarmning til brug i privat boligbyggeri, erhvervsområder og inden for let industri:
intygat härmed att uppvärmningssystemkomponenterna som beskrivs nedan är för användning i bostäder, kommersiella miljöer och lätt industri:
aşağıda anlatılan ısıtma sistemi bileşenlerinin konutlarda, ticari ve hafif sanayi ortamlarında kullanıma yönelik olduğunu tamamen kendi sorumluluğunda beyan eder:
настоящим заявляет и берет на себя исключительную ответственность за то, что кондиционеры и тепловые насосы, описанные ниже и предназначенные для эксплуатации в жилых помещениях, торговых залах и на предприятиях легкой промышленности:
заявляє виключно під власну відповідальність, що компоненти системи опалення, описані нижче, призначені для використання в побутовому, комерційному та наблизеному до промислового середовищах.
с настоящей декларацией на свою отговорность, что описанные по-долу компоненти за отоплителна система са годни за експлоатация в жилищна, търговска и лекопромишлена среда:
niniejszym oświadczam na swoją wyłączną odpowiedzialność, że klimatyzatory i pompy ciepła opisane poniżej, są przeznaczone do zastosowań w środowisku mieszkalnym, handlowym i lekko przemysłowym:
erklærer hermed som sitt ansvar, ene og alene, at komponentene i varmesystemet som beskrives nedenfor og som er beregnet for bruk i bolig-, forretnings- og lettindustriemiljøer:
vakuuttaa täten asiasta yksin vastuussa, että alla kuvatut lämmitysjärjestelmän osat, jotka on tarkoitettu käytettäväksi asuin-, toimisto- ja kevyen teollisuuden ympäristöissä:
tímto na vlastní odpovědnost prohlašuje, že níže popsané klimatizační jednotky a tepelná čerpadla pro použití v obytných prostředích, komerčních prostředích a prostředích lehkého průmyslu:
týmto vyhlasuje na vlastnú zodpovednosť, že komponenty vykurovacieho systému opísané nižšie pre použitie v obytných, komerčných a ľahkých priemyselných oblastiach:
ezennel kizárolagos felelősséggel kijelenti, hogy az alábbiakban leírt, lakó-, kereskedelmi és könnyűipari környezetben használható fűtőrendszer alkatrészei:
s tem izrecno izjavljamo, da so spodaj opisane komponente ogrevalnega sistema za uporabo v stanovanjskih, poslovnih in lahkoindustrijskih okoljih:
Prin prezentul document, compania declară pe propria răspundere că piesele sistemului de încălzire descrie mai jos sunt potrivite pentru utilizarea în medii rezidențiale, comerciale și ușor industriale:
kinnitab oma ainvastutusele, et alpoolp kirjeldatud küttesüsteemi komponentid on mõeldud kasutamiseks elu-, kaubandus- ja kergetööstuskeskkonnas:
ar šo pilnībā atbild par to, ka tālāk aprakstītie apsildes sistēmas komponenti, kas izmantojami dzīvojamās, komerciālās un vieglās industriālās vidēs:
prišimdamas visą atsakomybę pareiškia, kad žemiau aprašyti šildymo sistemos komponentai skirti naudoti gyvenamojoje, komercinėje ir lengvosios pramonės aplinkose:
ovime izjavljuje pod svojom odgovornostu da dolje opisane komponente sustava za grijanje za upotrebu u stambenim, komercijalnim i lakooindustrijskim okruženjima:
ovim izjavljujemo pod svojom isključivom odgovornošću da su opisane komponente sistema grejanja za upotrebu u stambenim, poslovnim i lakim industrijskim okruženjima:

MITSUBISHI ELECTRIC, EHST17D-VM2D, ERST17D-VM2D, EHST20D-MED, EHST20D-VM2D, EHST20D-VM6D, EHST20D-YM9D, EHST20D-YM9ED, EHST20D-TM9D, ERST20D-VM2D, EHST30D-MED, EHST30D-VM6ED, EHST30D-YM9ED, EHST30D-TM9ED, ERST30D-VM2ED, EHST20C-MED, EHST20C-VM2D, EHST20C-VM6D, EHST20C-YM9D, EHST20C-YM9ED, EHST20C-TM9D, ERST20C-VM2D, EHST30C-MED, EHST30C-VM6ED, EHST30C-YM9ED, EHST30C-TM9ED, ERST30C-VM2ED, EHPT17X-VM2D, EHPT17X-VM6D, EHPT17X-YM9D, ERPT17X-VM2D, EHPT20X-MED, EHPT20X-VM6D, EHPT20X-YM9D, EHPT20X-YM9ED, EHPT20X-TM9D, EHPT20X-MHEDW, ERPT20X-MD, ERPT20X-VM2D, ERPT20X-VM6D, EHPT30X-MED, EHPT30X-YM9ED, ERPT30X-VM2ED

Note: Its serial number is on the nameplate of the product.
Hinweis: Die Seriennummer befindet sich auf dem Kennschild des Produkts.
Remarque : Le numéro de série de l'appareil se trouve sur la plaque du produit.
Opmerking: het serienummer staat op het naamplaatje van het product.
Nota: El número de serie se encuentra en la placa que contiene el nombre del producto.
Nota: il numero di serie si trova sulla targhetta del prodotto.
Σημείωση: Ο σειριακός του αριθμός βρίσκεται στην πινακίδα ονόματος του προϊόντος.
Nota: o número de série encontra-se na placa que contém o nome do produto.
Bemærk: Seriennummeret står på produktets fabriksskilt.
Obs: Serienumret finns på produktens namnplåt.
Not: Seri numarası ürünün isim plakasında yer alır.
Примечание: серийный номер указан на паспортное табличке изделия.
Примітка. Серійний номер вказано на паспортній табличці виробу.
Забелешка: Серийният му номер е на табелката на продукта.

Uwaga: Numer seryjny znajduje się na tabliczce znamionowej produktu.
Merk: Seriennummeret befinnder seg på navneplaten til produktet.
Huomautus: Sarjanumero on merkitty laitteen arvokilpeen.
Poznámka: Příslušné sériové číslo se nachází na štítku produktu.
Poznámka: Výrobné číslo sa nachádza na typovom štítku výrobku.
Megjegyzés: A sorozatszám a termék adattábláján található.
Opomba: serijska številka je zapisana na tipski ploščici enote.
Notă: Numărul de serie este specificat pe plăcuța indicatoare a produsului.
Márkus. Seerianumber asub toote andmesilidil.
Piezīme. Sērijas numurs ir norādīts uz ierīces datu plāksnītes.
Pastaba. Serijos numeris nurodytas gaminio vardinij duomenų lentelėje.
Napomena: serijski broj nalazi se na natpisnoj pločici proizvoda.
Napomena: Serijski broj nalazi se na nazivnoj pločici proizvoda.

Directives
Richtlijnen
Directives
Richtlijnen
Directivas
Directive
Οδηγίες

Directivas
Direktiver
Direktiv
Direktifier
Директивы
Директиви
Директиви

Dyrektwy
Direktiver
Direktiivit
Směrnice
Smernice
Írányelvek
Direktive

Directive
Direktiivid
Direktivas
Direktivos
Direktive
Direktive

2014/35/EU: Low Voltage
2006/42/EC: Machinery
2014/30/EU: Electromagnetic Compatibility
2009/125/EC: Energy-related Products Directive and Regulation (EU) No 813/2013
2011/65/EU, (EU) 2015/863 and (EU) 2017/2102: RoHS Directive

Please be sure to put the contact address/telephone number on this manual before handing it to the customer.



mitsubishi electric corporation

HEAD OFFICE: TOKYO BUILDING, 2-7-3, MARUNOUCHI, CHIYODA-KU, TOKYO 100-8310, JAPAN