

Packaged Air Conditioners

Indoor unit

PLA-SM-EA Series

INSTALLATION MANUAL

For safe and correct use, read this manual and the outdoor unit installation manual thoroughly before installing the air-conditioner unit.

FOR INSTALLER

INSTALLATIONSHANDBUCH

Aus Sicherheitsgründen und zur richtigen Anwendung vor Installation der Klimaanlage die vorliegende Bedienungsanleitung und das Installationshandbuch gründlich durchlesen.

FÜR INSTALLATEURE

MANUEL D'INSTALLATION

Avant d'installer le climatiseur, lire attentivement ce manuel, ainsi que le manuel d'installation de l'appareil extérieur pour une utilisation sûre et correcte.

POUR L'INSTALLATEUR

INSTALLATIEHANDLEIDING

Lees deze handleiding en de installatiehandleiding van het buitenapparaat zorgvuldig door voordat u met het installeren van de airconditioner begint.

VOOR DE INSTALLATEUR

MANUAL DE INSTALACIÓN

Para un uso seguro y correcto, lea detalladamente este manual de instalación antes de montar la unidad de aire acondicionado.

PARA EL INSTALADOR

MANUALE DI INSTALLAZIONE

Per un uso sicuro e corretto, prima di installare il condizionatore d'aria leggere attentamente il presente manuale ed il manuale d'installazione dell'unità esterna.

PER L'INSTALLATORE

ΕΓΧΕΙΡΙΔΙΟ ΟΔΗΓΙΩΝ ΕΓΚΑΤΑΣΤΑΣΗΣ

Για σωστή και ασφαλή χρήση, διαβάστε προσεκτικά αυτό το εγχειρίδιο, καθώς και το εγχειρίδιο εγκατάστασης της εξωτερικής μονάδας, πριν από την εγκατάσταση της μονάδας κλιματιστικού.

ΓΙΑ ΑΥΤΟΝ ΠΟΥ ΚΑΝΕΙ ΤΗΝ ΕΓΚΑΤΑΣΤΑΣΗ

MANUAL DE INSTALAÇÃO

Para uma utilização segura e correcta, leia atentamente este manual e o manual de instalação da unidade exterior antes de instalar o aparelho de ar condicionado.

PARA O INSTALADOR

INSTALLATIONSMANUAL

Læs af sikkerhedshensyn denne manual samt manualen til installation af udendørsenheden grundigt, før du installerer klimaanlægget.

TIL INSTALLATØREN

INSTALLATIONSMANUAL

Läs bruksanvisningen och utomhusenhetens installationshandbok noga innan luftkonditioneringen installeras så att den används på ett säkert och korrekt sätt.

FÖR INSTALLATÖREN

INSTALLASJONSHÅNDBOK

For sikkert og riktig bruk av klimaanlegget, vennligst les nøye gjennom denne bruksanvisningen før det installeres.

FOR MONTØR

INSTRUKCJA MONTAŻU

Aby zapewnić bezpieczne i prawidłowe korzystanie z klimatyzatora, przed montażem należy uważnie przeczytać niniejszą instrukcję montażu.

DLA INSTALATORA**English****Deutsch****Français****Nederlands****Español****Italiano****Ελληνικά****Português****Dansk****Svenska****Norsk****Polski**

Contents





1. Safety precautions.....	2	6. Electrical work	8
2. Installation location.....	3	7. Test run.....	14
3. Installing the indoor unit	4	8. System control	17
4. Installing the refrigerant piping	6	9. Installing the grille.....	18
5. Drainage piping work.....	7	10. Easy maintenance function	20

Note:
The phrase "Wired remote controller" in this installation manual refers only to the PAR-32MAA.
If you need any information for the other remote controller, please refer to either the installation manual or initial setting manual which are included in these boxes.



1. Safety precautions

- ▶ Before installing the unit, make sure you read all the "Safety Precautions".
- ▶ The "Safety Precautions" provide very important points regarding safety. Make sure you follow them.
- ▶ Please report to your supply authority or obtain their consent before connecting this equipment to the power supply system.



MEANINGS OF SYMBOLS DISPLAYED ON THE UNIT

	WARNING (Risk of fire)	This mark is for R32 refrigerant only. Refrigerant type is written on nameplate of outdoor unit. In case that refrigerant type is R32, this unit uses a flammable refrigerant. If refrigerant leaks and comes in contact with fire or heating part, it will create harmful gas and there is risk of fire.
		Read the OPERATION MANUAL carefully before operation.
		Service personnel are required to carefully read the OPERATION MANUAL and INSTALLATION MANUAL before operation.
		Further information is available in the OPERATION MANUAL, INSTALLATION MANUAL, and the like.

Symbols used in the text

-  **Warning:**
Describes precautions that should be observed to prevent danger of injury or death to the user.
-  **Caution:**
Describes precautions that should be observed to prevent damage to the unit.

Symbols used in the illustrations

-  : Indicates a part which must be grounded.
-  : Be sure not to do.

After installation work has been completed, explain the "Safety Precautions," use, and maintenance of the unit to the customer according to the information in the Operation Manual and perform the test run to ensure normal operation. Both the Installation Manual and Operation Manual must be given to the user for keeping. These manuals must be passed on to subsequent users.

Warning:

- Carefully read the labels affixed to the main unit.
- Ask a dealer or an authorized technician to install, relocate and repair the unit.
- The user should never attempt to repair the unit or transfer it to another location.
- Do not alter the unit.
- For installation and relocation work, follow the instructions in the Installation Manual and use tools and pipe components specifically made for use with refrigerant specified in the outdoor unit installation manual.
- The unit must be installed according to the instructions in order to minimize the risk of damage from earthquakes, typhoons, or strong winds. An incorrectly installed unit may fall down and cause damage or injuries.
- The unit must be securely installed on a structure that can sustain its weight.
- The appliance shall be stored in a well-ventilated area where the room size corresponds to the room area as specified for operation.
- If the air conditioner is installed in a small room or closed room, measures must be taken to prevent the refrigerant concentration in the room from exceeding the safety limit in the event of refrigerant leakage. Should the refrigerant leak and cause the concentration limit to be exceeded, hazards due to lack of oxygen in the room may result.
- Keep gas-burning appliances, electric heaters, and other fire sources (ignition sources) away from the location where installation, repair, and other air conditioner work will be performed.
If refrigerant comes into contact with a flame, poisonous gases will be released.
- Ventilate the room if refrigerant leaks during operation. If refrigerant comes into contact with a flame, poisonous gases will be released.
- All electric work must be performed by a qualified technician according to local regulations and the instructions given in this manual.
- Use only specified cables for wiring. The wiring connections must be made securely with no tension applied on the terminal connections. Also, never splice the cables for wiring (unless otherwise indicated in this document). Failure to observe these instructions may result in overheating or a fire.
- When installing or relocating, or servicing the air conditioner, use only the specified refrigerant written on outdoor unit to charge the refrigerant lines. Do not mix it with any other refrigerant and do not allow air to remain in the lines.
If air is mixed with the refrigerant, then it can be the cause of abnormal high pressure in the refrigerant line, and may result in an explosion and other hazards.

- The use of any refrigerant other than that specified for the system will cause mechanical failure or system malfunction or unit breakdown. In the worst case, this could lead to a serious impediment to securing product safety.
- The appliance shall be installed in accordance with national wiring regulations.
- This appliance is not intended for use by persons (including children) with reduced physical, sensory or mental capabilities, or lack of experience and knowledge, unless they have been given supervision or instruction concerning use of the appliance by a person responsible for their safety.
- Children should be supervised to ensure that they do not play with the appliance.
- The terminal block cover panel of the unit must be firmly attached.
- If the supply cord is damaged, it must be replaced by the manufacturer, its service agent or similarly qualified persons in order to avoid a hazard.
- Use only accessories authorized by Mitsubishi Electric and ask a dealer or an authorized technician to install them.
- After installation has been completed, check for refrigerant leaks. If refrigerant leaks into the room and comes into contact with the flame of a heater or portable cooking range, poisonous gases will be released.
- Do not use means to accelerate the defrosting process or to clean, other than those recommended by the manufacturer.
- The appliance shall be stored in a room without continuously operating ignition sources (for example: open flames, an operating gas appliance or an operating electric heater).
- Do not pierce or burn.
- Be aware that refrigerants may not contain an odour.
- Pipe-work shall be protected from physical damage.
- The installation of pipe-work shall be kept to a minimum.
- Compliance with national gas regulations shall be observed.
- Keep any required ventilation openings clear of obstruction.
- Do not use low temperature solder alloy in case of brazing the refrigerant pipes.
- When performing brazing work, be sure to ventilate the room sufficiently. Make sure that there are no hazardous or flammable materials nearby. When performing the work in a closed room, small room, or similar location, make sure that there are no refrigerant leaks before performing the work. If refrigerant leaks and accumulates, it may ignite or poisonous gases may be released.

1. Safety precautions

1.1. Before installation (Environment)

⚠ Caution:

- Do not use the unit in an unusual environment. If the air conditioner is installed in areas exposed to steam, volatile oil (including machine oil), or sulfuric gas, areas exposed to high salt content such as the seaside, the performance can be significantly reduced and the internal parts can be damaged.
- Do not install the unit where combustible gases may leak, be produced, flow, or accumulate. If combustible gas accumulates around the unit, fire or explosion may result.
- Do not keep food, plants, caged pets, artwork, or precision instruments in the direct airflow of the indoor unit or too close to the unit, as these items can be damaged by temperature changes or dripping water.
- When the room humidity exceeds 80% or when the drainpipe is clogged, water may drip from the indoor unit. Do not install the indoor unit where such dripping can cause damage.
- When installing the unit in a hospital or communications office, be prepared for noise and electronic interference. Inverters, home appliances, high-frequency medical equipment, and radio communications equipment can cause the air conditioner to malfunction or breakdown. The air conditioner may also affect medical equipment, disturbing medical care, and communications equipment, harming the screen display quality.

1.2. Before installation or relocation

⚠ Caution:

- Be extremely careful when transporting the units. Two or more persons are needed to handle the unit, as it weighs 20 kg or more. Do not grasp the packaging bands. Wear protective gloves as you can injure your hands on the fins or other parts.
- Be sure to safely dispose of the packaging materials. Packaging materials, such as nails and other metal or wooden parts may cause stabs or other injuries.
- Thermal insulation of the refrigerant pipe is necessary to prevent condensation. If the refrigerant pipe is not properly insulated, condensation will be formed.
- Place thermal insulation on the pipes to prevent condensation. If the drainpipe is installed incorrectly, water leakage and damage to the ceiling, floor, furniture, or other possessions may result.
- Do not clean the air conditioner unit with water. Electric shock may result.
- Tighten all flare nuts to specification using a torque wrench. If tightened too much, the flare nut can break after an extended period.
- If the unit is run for long hours when the air above the ceiling is at high temperature/high humidity (dew point above 26 °C), dew condensation may be produced in the indoor unit or the ceiling materials. When operating the units in this condition, add insulation material (10-20 mm) to the entire surface of the unit and ceiling materials to avoid dew condensation.

1.3. Before electric work

⚠ Caution:

- Be sure to install circuit breakers. If not installed, electric shock may result.
- For the power lines, use standard cables of sufficient capacity. Otherwise, a short circuit, overheating, or fire may result.
- When installing the power lines, do not apply tension to the cables.
- Be sure to ground the unit. If the unit is not properly grounded, electric shock may result.
- Use circuit breakers (ground fault interrupter, isolating switch (+B fuse), and molded case circuit breaker) with the specified capacity. If the circuit breaker capacity is larger than the specified capacity, breakdown or fire may result.

1.4. Before starting the test run

⚠ Caution:

- Turn on the main power switch more than 12 hours before starting operation. Starting operation just after turning on the power switch can severely damage the internal parts.
- Before starting operation, check that all panels, guards and other protective parts are correctly installed. Rotating, hot, or high voltage parts can cause injuries.
- Do not operate the air conditioner without the air filter set in place. If the air filter is not installed, dust may accumulate and breakdown may result.
- Do not touch any switch with wet hands. Electric shock may result.
- Do not touch the refrigerant pipes with bare hands during operation.
- After stopping operation, be sure to wait at least five minutes before turning off the main power switch. Otherwise, water leakage or breakdown may result.

2. Installation location

Refer to the outdoor unit installation manual.

3. Installing the indoor unit

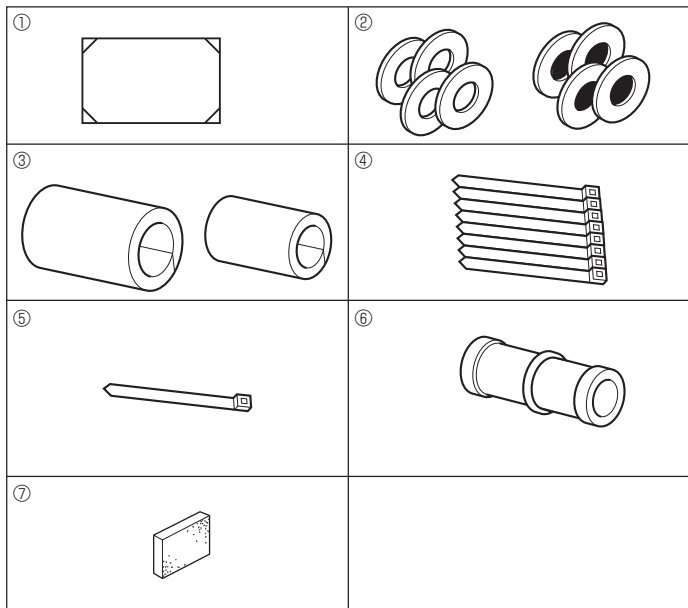


Fig. 3-1

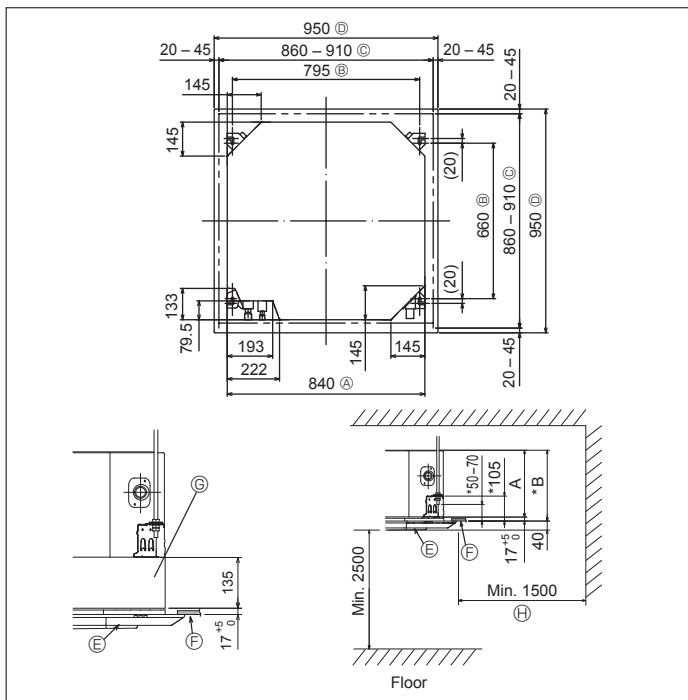


Fig. 3-2

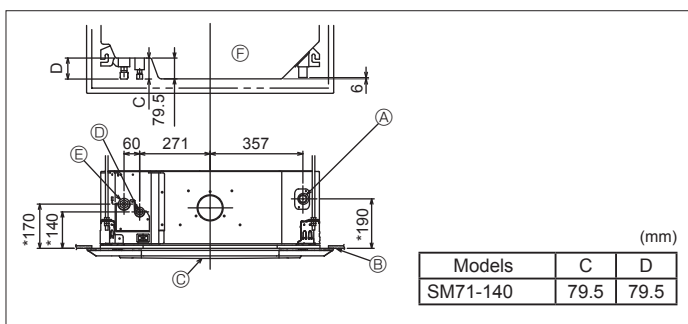


Fig. 3-3

3.1. Check the indoor unit accessories (Fig. 3-1)

The indoor unit should be supplied with the following accessories.

	Accessory name	Q'ty
①	Installation template (top of the package)	1
②	Washers (with insulation)	4
	Washers (without insulation)	4
③	Pipe cover (for refrigerant piping joint)	
	Small diameter	1
	Large diameter	1
④	Band (large)	8
⑤	Band (small)	1
⑥	Drain socket	1
⑦	Insulation	1

3.2. Ceiling openings and suspension bolt installation locations (Fig. 3-2)

⚠ Caution:

Install the indoor unit at least 2.5 m above floor or grade level.

For appliances not accessible to the general public.

- Using the installation template (top of the package) and the gauge (supplied as an accessory with the grille), make an opening in the ceiling so that the main unit can be installed as shown in the diagram. (The method for using the template and the gauge is shown.)

* Before using, check the dimensions of template and gauge, because they change due to fluctuations of temperature and humidity.

* The dimensions of ceiling opening can be regulated within the range shown in Fig. 3-2; so center the main unit against the opening of ceiling, ensuring that the respective opposite sides on all sides of the clearance between them becomes identical.

- Use M10 (3/8") suspension bolts.

* Suspension bolts are to be procured at the field.

- Install securely, ensuring that there is no clearance between the ceiling panel & grille, and between the main unit & grille.

- Ⓐ Outer side of main unit
- Ⓑ Grille
- Ⓒ Bolt pitch
- Ⓓ Ceiling
- Ⓔ Ceiling opening
- Ⓜ Multi functional casement (option)
- Ⓝ Outer side of Grille
- Ⓟ Entire periphery

* Note that the space between ceiling panel of the unit and ceiling slab, etc. must be 7 mm or more.

* When the optional multi-functional casement is installed, add 135 mm to the dimensions marked on the figure.

(mm)

Models	A	B
SM71	241	258
SM100-140	281	298

3.3. Refrigerant and drainage piping locations of indoor unit (Fig. 3-3)

The figure marked with * in the drawing represent the dimensions of the main unit excluding those of the optional multi function casement.

- Ⓐ Drain pipe
- Ⓑ Ceiling
- Ⓒ Grille
- Ⓓ Refrigerant pipe (liquid)
- Ⓔ Refrigerant pipe (gas)
- Ⓜ Main unit

* When the optional multi-functional casement is installed, add 135 mm to the dimensions marked on the figure.

3. Installing the indoor unit

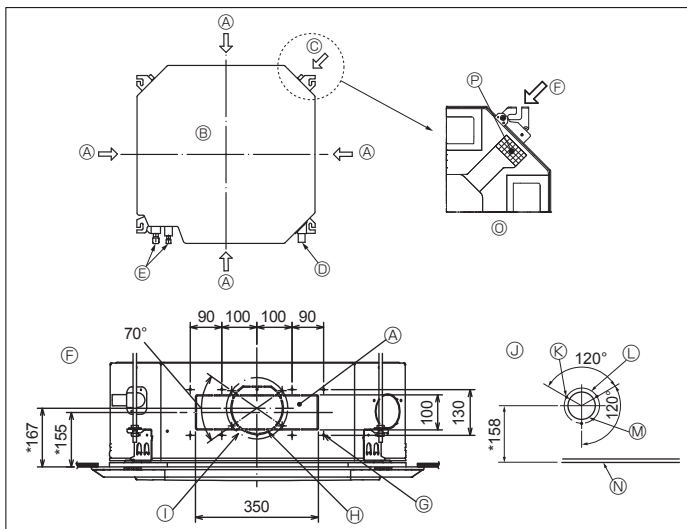


Fig. 3-4

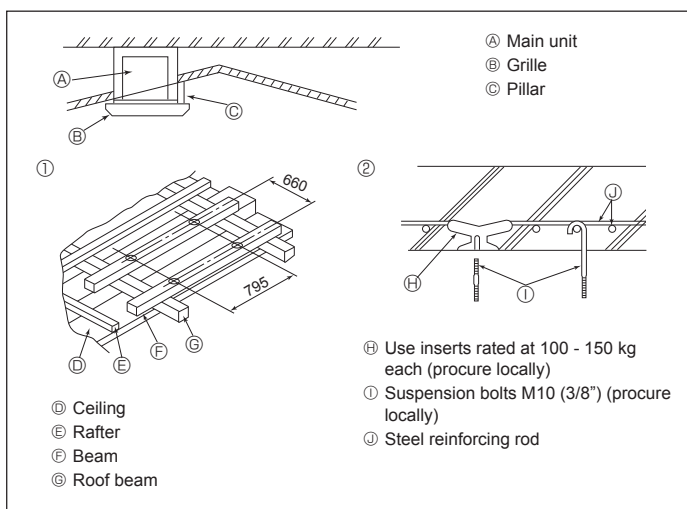


Fig. 3-5

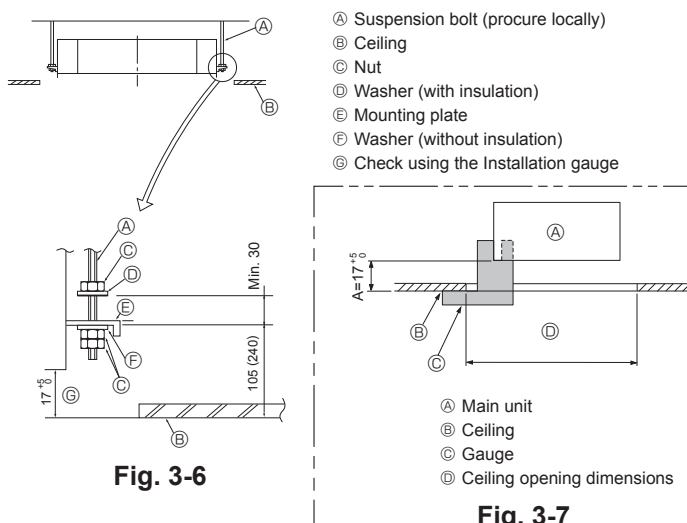


Fig. 3-6

Fig. 3-7

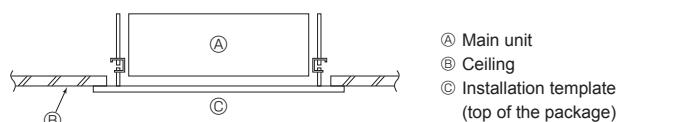


Fig. 3-8

3.4. Branch duct hole and fresh air intake hole (Fig. 3-4)

At the time of installation, use the duct holes (cut out) located at the positions shown in Fig. 3-4, as and when required.

• A fresh air intake hole for the optional multi function casement can also be made.

Note:

- The figure marked with * in the drawing represent the dimensions of the main unit excluding those of the optional multi function casement.
- When installing the optional multi function casement, add 135 mm to the dimensions marked on the figure.
- When installing the branch ducts, be sure to insulate adequately. Otherwise condensation and dripping may occur.
- When installing the fresh air intake hole, be sure to remove the insulator $\text{\textcircled{P}}$ that is pasted on the indoor unit.
- When external air is input directly through the main unit, intake-air volume should be 5% or less of indoor unit air volume.
- To input the external air, the duct fan and dust collecting filter to prevent drawing in dust and other particles are necessary.
For details, see "Fresh air intake volume & static pressure characteristics" in the P series DATA BOOK.
- When external air is input into the main unit, the operation noise can be larger.

- | | |
|--|--|
| $\text{\textcircled{A}}$ Branch duct hole | $\text{\textcircled{O}}$ $\varnothing 175$ burring hole pitch |
| $\text{\textcircled{B}}$ Main unit | $\text{\textcircled{J}}$ Fresh air intake hole diagram |
| $\text{\textcircled{C}}$ Fresh air intake hole | $\text{\textcircled{K}}$ 3-4 \times 10 tapping screws |
| $\text{\textcircled{D}}$ Drain pipe | $\text{\textcircled{L}}$ $\varnothing 125$ burring hole pitch |
| $\text{\textcircled{E}}$ Refrigerant pipe | $\text{\textcircled{M}}$ $\varnothing 100$ cut out hole |
| $\text{\textcircled{F}}$ Branch duct hole diagram
(view from either side) | $\text{\textcircled{N}}$ Ceiling |
| $\text{\textcircled{G}}$ 14-4 \times 10 tapping screws | $\text{\textcircled{O}}$ Detailed figure of removing the insulator |
| $\text{\textcircled{H}}$ $\varnothing 150$ cut out hole | $\text{\textcircled{P}}$ Insulation |

3.5. Suspension structure (Give site of suspension strong structure) (Fig. 3-5)

• The ceiling work differs according to the construction of the building. Building constructors and interior decorators should be consulted for details.

- (1) Extent of ceiling removal: The ceiling must be kept completely horizontal and the ceiling foundation (framework: wooden slats and slat holders) must be reinforced in order to protect the ceiling from vibration.
- (2) Cut and remove the ceiling foundation.
- (3) Reinforce the ends of the ceiling foundation where it has been cut and add ceiling foundation for securing the ends of the ceiling board.
- (4) When installing the indoor unit on a slanted ceiling, attach a pillar between the ceiling and the grille and set so that the unit is installed horizontally.

$\text{\textcircled{1}}$ Wooden structures

- Use tie beams (single storied houses) or second floor beams (2 story houses) as reinforcing members.
- Wooden beams for suspending air conditioners must be sturdy and their sides must be at least 6 cm long if the beams are separated by not more than 90 cm and their sides must be at least 9 cm long if the beams are separated by as much as 180 cm. The size of the suspension bolts should be $\varnothing 10$ (3/8"). (The bolts do not come with the unit.)

$\text{\textcircled{2}}$ Ferro-concrete structures

Secure the suspension bolts using the method shown, or use steel or wooden hangers, etc. to install the suspension bolts.

3.6. Unit suspension procedures (Fig. 3-6)

Suspend the main unit as shown in the diagram.

Figures given in parentheses represent the dimensions in case of installing optional multi function casement.

1. In advance, set the parts onto the suspension bolts in the order of the washers (with insulation), washers (without insulation) and nuts (double).
 - Fit the washer with cushion so that the insulation faces downward.
 - In case of using upper washers to suspend the main unit, the lower washers (with insulation) and nuts (double) are to be set later.
2. Lift the unit to the proper height of the suspension bolts to insert the mounting plate between washers and then fasten it securely.
3. When the main unit cannot be aligned against the mounting hole on the ceiling, it is adjustable owing to a slot provided on the mounting plate.
 - Make sure that A is performed within 17 - 22 mm. Damage could result by failing to adhere to this range. (Fig. 3-7)

$\text{\textcircled{\!A}}$ **Caution:**

Use the top half of the box as a protective cover to prevent dust or debris from getting inside the unit prior to installation of the decorative cover or when applying ceiling materials.

3.7. Confirming the position of main unit and tightening the suspension bolts (Fig. 3-8)

- Using the gauge attached to the grille, ensure that the bottom of the main unit is properly aligned with the opening of the ceiling. Be sure to confirm this, otherwise condensation may form and drip due to air leakage, etc.
- Confirm that the main unit is horizontally levelled, using a level or a vinyl tube filled with water.
- After checking the position of the main unit, tighten the nuts of the suspension bolts securely to fasten the main unit.
- The installation template (top of the package) can be used as a protective sheet to prevent dust from entering the main unit when the grilles are left unattached for a while or when the ceiling materials are to be lined after installation of the unit is finished.
- * As for the details of fitting, refer to the instructions given on the Installation template. (top of the package)

4. Installing the refrigerant piping

4.1. Precautions

For devices that use R32/R410A refrigerant

- Use alkylbenzene oil (small amount) as the refrigeration oil applied to the flared sections.
- Use C1220 copper phosphorus for copper and copper alloy seamless pipes, to connect the refrigerant pipes. Use refrigerant pipes with the thicknesses specified in the table below. Make sure the insides of the pipes are clean and do not contain any harmful contaminants such as sulfuric compounds, oxidants, debris, or dust.

⚠ Warning:

When installing or relocating, or servicing the air conditioner, use only the specified refrigerant written on outdoor unit to charge the refrigerant lines. Do not mix it with any other refrigerant and do not allow air to remain in the lines. If air is mixed with the refrigerant, then it can be the cause of abnormal high pressure in the refrigerant line, and may result in an explosion and other hazards. The use of any refrigerant other than that specified for the system will cause mechanical failure or system malfunction or unit breakdown. In the worst case, this could lead to a serious impediment to securing product safety.

ø6.35 thickness 0.8 mm	ø9.52 thickness 0.8 mm
ø12.7 thickness 0.8 mm	ø15.88 thickness 1.0 mm

- Do not use pipes thinner than those specified above.

4.2. Connecting pipes (Fig. 4-1)

- When commercially available copper pipes are used, wrap liquid and gas pipes with commercially available insulation materials (heat-resistant to 100 °C or more, thickness of 12 mm or more).
- Apply thin layer of refrigerant oil to pipe and joint seating surface before tightening flare nut.
- Use 2 wrenches to tighten piping connections.
- Use refrigerant piping insulation provided to insulate indoor unit connections. Insulate carefully.
- After connecting the refrigerant piping to the indoor unit, be sure to test the pipe connections for gas leakage with nitrogen gas. (Check that there is no refrigerant leakage from the refrigerant piping to the indoor unit.)
- Use flared nut installed to this indoor unit.
- In case of reconnecting the refrigerant pipes after detaching, make the flared part of pipe re-fabricated.

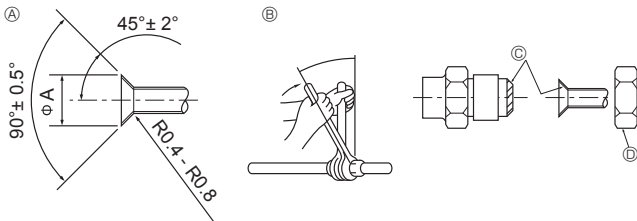


Fig. 4-1

Ⓐ Flare cutting dimensions

Copper pipe O.D. (mm)	Flare dimensions øA dimensions (mm)
ø6.35	8.7 - 9.1
ø9.52	12.8 - 13.2
ø12.7	16.2 - 16.6
ø15.88	19.3 - 19.7

Ⓑ Flare nut tightening torque

Copper pipe O.D. (mm)	Flare nut O.D. (mm)	Tightening torque (N·m)
ø6.35	17	14 - 18
ø6.35	22	34 - 42
ø9.52	22	34 - 42
ø12.7	26	49 - 61
ø15.88	29	68 - 82

- Apply refrigerating machine oil over the entire flare seat surface.
- Use correct flare nuts meeting the pipe size of the outdoor unit.

Available pipe size

	SM71-140
Liquid side	ø9.52 O
Gas side	ø15.88 O

O : Factory flare nut attachment to the heat exchanger.

⚠ Warning:

- Be careful of flying flare nut! (Internally pressurized)
Remove the flare nut as follows:
 1. Loosen the nut until you hear a hissing noise.
 2. Do not remove the nut until the gas has been completely released (i.e., hissing noise stops).
 3. Check that the gas has been completely released, and then remove the nut.
- When installing the unit, securely connect the refrigerant pipes before starting the compressor.

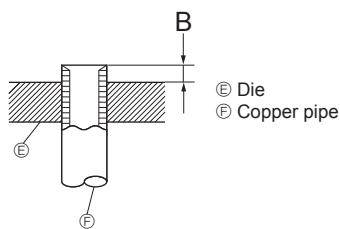


Fig. 4-2

Copper pipe O.D. (mm)	B (mm)
	Flare tool for R32/R410A Clutch type
ø6.35 (1/4")	0 - 0.5
ø9.52 (3/8")	0 - 0.5
ø12.7 (1/2")	0 - 0.5
ø15.88 (5/8")	0 - 0.5

4. Installing the refrigerant piping

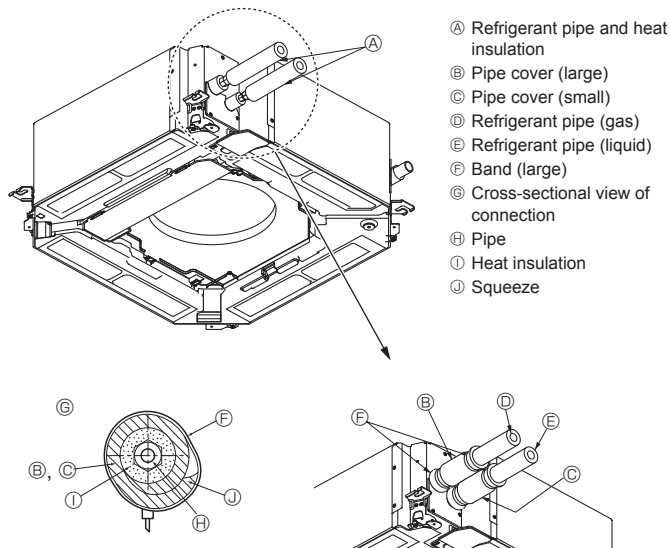


Fig. 4-3

Heat insulation for refrigerant pipes (Fig. 4-3)

- 1 Wrap the enclosed large-sized pipe cover around the gas pipe, making sure that the end of the pipe cover touches the side of the unit.
- 2 Wrap the enclosed small-sized pipe cover around the liquid pipe, making sure that the end of the pipe cover touches the side of the unit.
- 3 Secure both ends of each pipe cover with the enclosed bands. (Attach the bands 20 mm from the ends of the pipe cover.)

4.3. For twin combination

Refer to the outdoor unit installation manual.

Some outdoor units cannot be used in a simultaneous twin system.

5. Drainage piping work

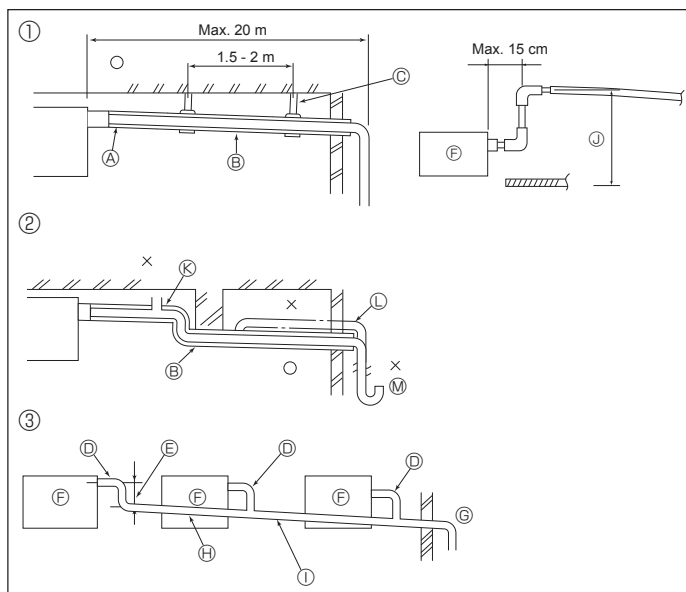


Fig. 5-1

5.1. Drainage piping work (Fig. 5-1)

- The indoor parts of the drain pipe should be wrapped with polyethylene foam insulation materials (specific gravity of 0.03, thickness of 9 mm or more).
- Use VP25 (O.D. ø32 PVC TUBE) for drain piping and provide 1/100 or more downward slope.
- Be sure to connect the piping joints using a PVC type adhesive.
- Observe the figure for piping work.
- Use the included drain hose to change the extraction direction.
- When performing the drainage piping work, be sure to use the support metal holders. If a load is applied to the drain socket that damages the hose or causes the hose to become detached, water leakage may result.

- | | |
|--|--|
| ① Correct piping | Ⓒ Make the piping size large for grouped piping. |
| ② Wrong piping | Ⓓ Downward slope (1/100 or more) |
| ③ Grouped piping | Ⓛ O.D. ø38 PVC TUBE for grouped piping (9 mm or more insulation) |
| Ⓐ Insulation (9 mm or more) | Ⓜ Up to 85 cm |
| Ⓑ Downward slope (1/100 or more) | Ⓝ Air bleeder |
| Ⓒ Support metal | Ⓦ Raised |
| Ⓓ O.D. ø32 PVC TUBE | Ⓩ Odor trap |
| Ⓚ Make it as large as possible (about 10 cm) | |
| Ⓛ Main unit | |

1. Connect the drain socket (supplied with the unit) to the drain port. (Fig. 5-2)

(Fix the tube using PVC adhesive then secure it with a band.)

2. Install a locally purchased drain pipe (PVC pipe, O.D. ø32).

(Fix the pipe using PVC adhesive then secure it with a band.)

3. Check that drain flows smoothly.

4. Insulate the drain port and socket with insulating material, then secure the material with a band. (Both insulating material and band are supplied with the unit.)

5. Insulate the tube and pipe. (PVC pipe, O.D. ø32)

- | | |
|----------------------------|---|
| Ⓐ Main unit | Ⓒ Drain pipe (O.D. ø32 PVC TUBE) |
| Ⓑ Insulating material | Ⓓ Insulating material (purchased locally) |
| Ⓒ Band (large) | Ⓛ Transparent PVC pipe |
| Ⓓ Drain port (transparent) | Ⓜ O.D. ø32 PVC TUBE (Slope 1/100 or more) |
| Ⓚ Insertion margin | Ⓝ Drain socket |
| Ⓛ Matching | |

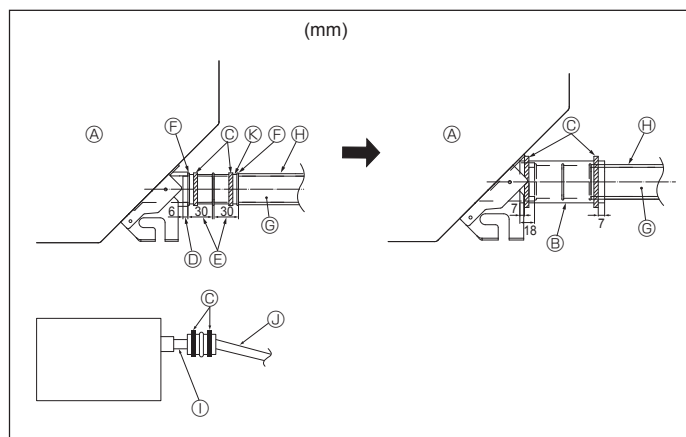


Fig. 5-2

6. Electrical work

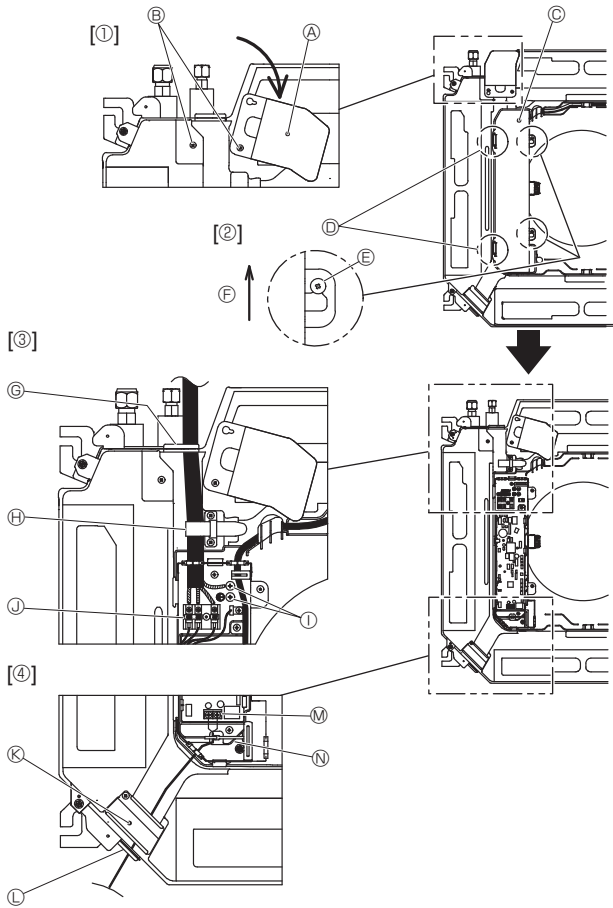


Fig. 6-1

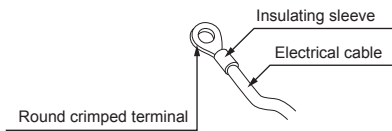


Fig. 6-2

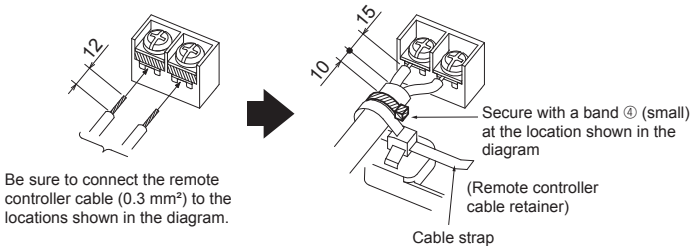


Fig. 6-3

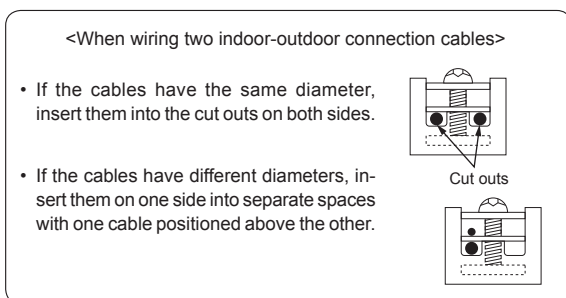


Fig. 6-5

6.1. Indoor unit (Fig. 6-1)

1. Loosen the two screws securing the electrical wiring service panel, and then turn the electrical wiring service panel. [Fig. 6-1 ①]
 2. Loosen the two screws securing the electrical box cover, then slide the electrical box cover. [Fig. 6-1 ②]
 3. Pass the power cable, indoor/outdoor unit connecting cable and earth cable through the wiring entries given in the diagram. [Fig. 6-1 ③]
Put the sheath portion of the power cable and indoor/outdoor connecting cable into the electrical box.
Use round crimped terminals for the indoor-outdoor connection terminal and the optional power supply service terminal kit. [Fig. 6-2]
If you cannot use round crimped terminals, following the procedure in Fig. 6-3 to 6-6.
Refer to 6.1.1. and 6.1.2. for the connection.
 4. Pass and wire the remote controller cable through the wiring entries given in the diagram. [Fig. 6-1 ④, Fig. 6-3]
Refer to 6.1.1. and 6.1.2. for the connection.
- Do not allow slackening of the terminal screws.

Screw tightening torque

	Tightening torque (N·m)
Remote controller terminal board	1.2 ± 0.1
Indoor-outdoor connection terminal board	1.6 ± 0.1
Earth cable	1.6 ± 0.1

- Leave excess cable so that the electrical box can be suspended below the unit during servicing (approx. 50 to 100 mm).

- ① Electrical wiring service panel
- ② Screw
- ③ Electrical box cover
- ④ Temporary hook for electrical box cover
- ⑤ Screw
- ⑥ Slide direction of the electrical box cover
- ⑦ Entry for power cable and indoor/outdoor unit connecting cable
- ⑧ Secure with the cable strap.
- ⑨ Earth cable
- ⑩ Indoor/outdoor unit connecting terminal
- ⑪ Electrical wiring service panel (remote controller)
- ⑫ Entry for wired remote controller
- ⑬ Wired remote controller terminal
- ⑭ Secure with the cable strap.

⚠ Caution:

- **Wiring for remote controller cable shall be apart (5 cm or more) from power source wiring so that it is not influenced by electric noise from power source wiring.**

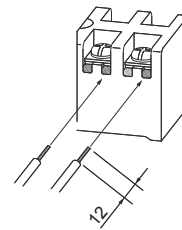


Fig. 6-4

- The U-shaped groove opens if you push the screw head after the screw is loosened.

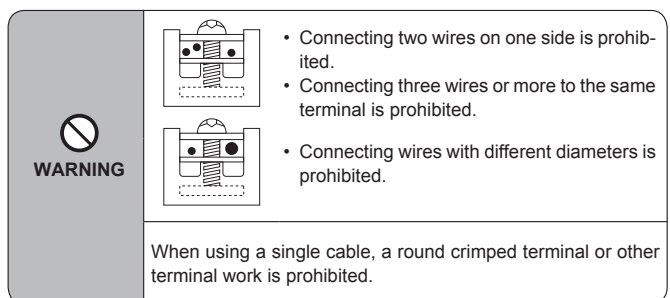


Fig. 6-6

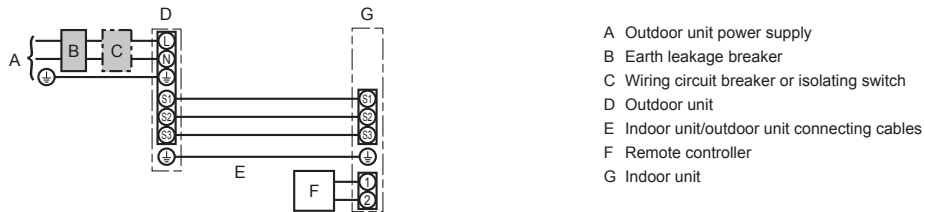
6. Electrical work

6.1.1. Indoor unit power supplied from outdoor unit

The following connection patterns are available.

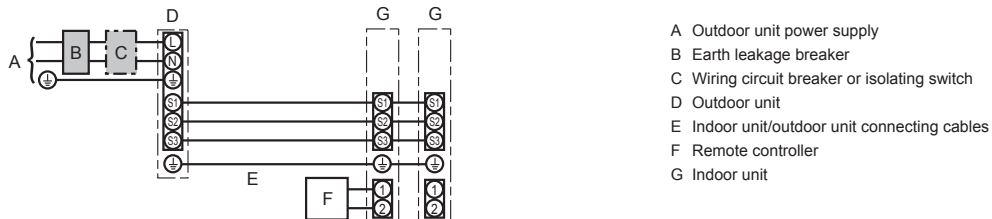
The outdoor unit power supply patterns vary on models.

1:1 System



* Affix label A that is included with the manuals near each wiring diagram for the indoor and outdoor units.

Simultaneous twin system



* Affix label A that is included with the manuals near each wiring diagram for the indoor and outdoor units.

Note:

Some units cannot be used in a simultaneous twin system. Refer to the outdoor unit installation manual for details.

Indoor unit model		PLA
Wiring Wire No. x size (mm ²)	Indoor unit-Outdoor unit *1	3 × 1.5 (polar)
	Indoor unit-Outdoor unit earth *1	1 × Min. 1.5
	Indoor unit earth	1 × Min. 1.5
Circuit rating	Remote controller-Indoor unit *2	2 × 0.3 (Non-polar)
	Indoor unit (Heater) L-N *3	—
	Indoor unit-Outdoor unit S1-S2 *3	230 VAC
	Indoor unit-Outdoor unit S2-S3 *3	24 VDC
	Remote controller-Indoor unit *3	12 VDC

*1. <For 71-140 outdoor unit application>

Max. 45 m

If 2.5 mm² used, Max. 50 m

If 2.5 mm² used and S3 separated, Max. 80 m

*2. Max. 500 m

(When using 2 remote controllers, the maximum wiring length for the remote controller cables is 200 m.)

*3. The figures are NOT always against the ground.

S3 terminal has 24 VDC against S2 terminal. However between S3 and S1, these terminals are not electrically insulated by the transformer or other device.

Notes: 1. Wiring size must comply with the applicable local and national code.

2. Power supply cords and indoor unit/outdoor unit connecting cords shall not be lighter than polychloroprene sheathed flexible cord. (Design 60245 IEC 57)

3. Install an earth longer than other cables.

4. Indoor and outdoor connecting wires have polarities. Make sure to match the terminal number (S1, S2, S3) for correct wirings.

5. Wiring for remote controller cable shall be apart (5 cm or more) from power source wiring so that it is not influenced by electric noise from power source wiring.

Warning:

Never splice the power cable or the indoor-outdoor connection cable, otherwise it may result in a smoke, a fire or communication failure.

6. Electrical work

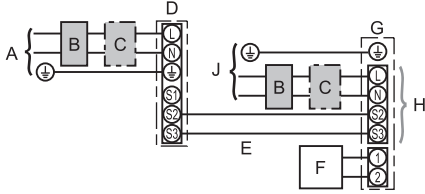
6.1.2. Separate indoor unit/outdoor unit power supplies (For PUHZ application only)

The following connection patterns are available.

The outdoor unit power supply patterns vary on models.

1:1 System

* The indoor power supply terminal kit is required.

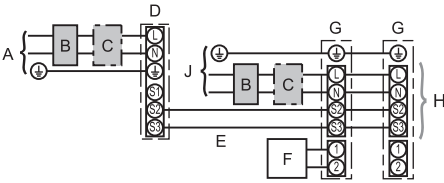


- A Outdoor unit power supply
- B Earth leakage breaker
- C Wiring circuit breaker or isolating switch
- D Outdoor unit
- E Indoor unit/outdoor unit connecting cables
- F Remote controller
- G Indoor unit
- H Option
- J Indoor unit power supply

* Affix label B that is included with the manuals near each wiring diagram for the indoor and outdoor units.

Simultaneous twin system

* The indoor power supply terminal kits are required.



- A Outdoor unit power supply
- B Earth leakage breaker
- C Wiring circuit breaker or isolating switch
- D Outdoor unit
- E Indoor unit/outdoor unit connecting cables
- F Remote controller
- G Indoor unit
- H Option
- J Indoor unit power supply

* Affix label B that is included with the manuals near each wiring diagram for the indoor and outdoor units.

Note:

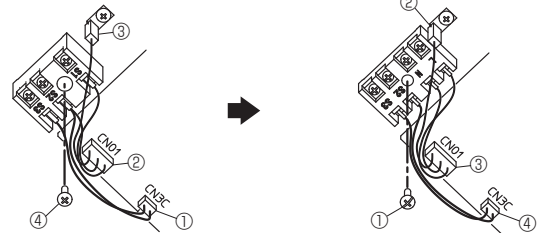
Some units cannot be used in a simultaneous twin system. Refer to the outdoor unit installation manual for details.

If the indoor and outdoor units have separate power supplies, refer to the table below. If the indoor power supply terminal kit is used, change the indoor unit electrical box wiring referring to the figure in the right and the DIP switch settings of the outdoor unit control board.

Indoor power supply terminal kit (option)	Required								
Indoor unit electrical box connector connection change	Required								
Label affixed near each wiring diagram for the indoor and outdoor units	Required								
Outdoor unit DIP switch settings (when using separate indoor unit/outdoor unit power supplies only)	<table border="1" style="margin-left: auto; margin-right: auto;"> <tr> <td>ON</td> <td></td> <td></td> <td style="border: 2px solid black;">3</td> </tr> <tr> <td>OFF</td> <td>1</td> <td>2</td> <td></td> </tr> </table> <p style="text-align: center;">Set the SW8-3 to ON.</p>	ON			3	OFF	1	2	
ON			3						
OFF	1	2							

* There are 3 types of labels (labels A, B and C). Affix the appropriate labels to the units according to the wiring method.

<Replacing the indoor unit terminal block>



- ① Disconnect connector CN3C (blue) from the indoor controller board.
- ② Disconnect connector CN01 (black) from the indoor controller board.
- ③ Disconnect the tab terminal.
- ④ Remove the screw from the terminal block.

Install the optional Power supply terminal kit. Refer to the installation manual that comes with the optional Power supply terminal kit for details.

- ① Secure the terminal block with the screw.
- ② Insert the tab terminal.
- ③ Connect connector CN01 (black) to the indoor controller board.
- ④ Connect connector CN3C (blue) to the indoor controller board.

Indoor unit model	PLA		
Indoor unit power supply	~N (single), 50 Hz, 230 V		
Indoor unit input capacity Main switch (Breaker)	*1	16 A	
Wiring x Wire No. x size (mm ²)	Indoor unit power supply & earth	3 × Min. 1.5	
	Indoor unit-Outdoor unit	2 × Min. 0.3	
	Indoor unit-Outdoor unit earth	—	
Circuit rating	Remote controller-Indoor unit	*3	2 × 0.3 (Non-polar)
	Indoor unit L-N	*4	230 VAC
	Indoor unit-Outdoor unit S1-S2	*4	—
	Indoor unit-Outdoor unit S2-S3	*4	24 VDC
	Remote controller-Indoor unit	*4	12 VDC

*1. A breaker with at least 3.0 mm contact separation in each pole shall be provided. Use earth leakage breaker (NV).

The breaker shall be provided to ensure disconnection of all active phase conductors of the supply.

*2. Max. 120 m

*3. Max. 500 m

(When using 2 remote controllers, the maximum wiring length for the remote controller cables is 200 m.)

*4. The figures are NOT always against the ground.

Notes: 1. Wiring size must comply with the applicable local and national code.

2. Power supply cords and indoor unit/outdoor unit connecting cords shall not be lighter than polychloroprene sheathed flexible cord. (Design 60245 IEC 57)

3. Install an earth longer than other cables.

4. Wiring for remote controller cable shall be apart (5 cm or more) from power source wiring so that it is not influenced by electric noise from power source wiring.

⚠ Warning:

Never splice the power cable or the indoor-outdoor connection cable, otherwise it may result in a smoke, a fire or communication failure.

6. Electrical work

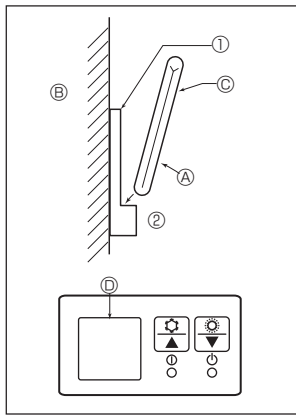


Fig. 6-7

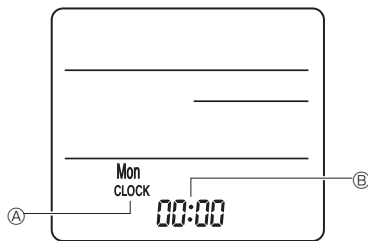


Fig. 6-8

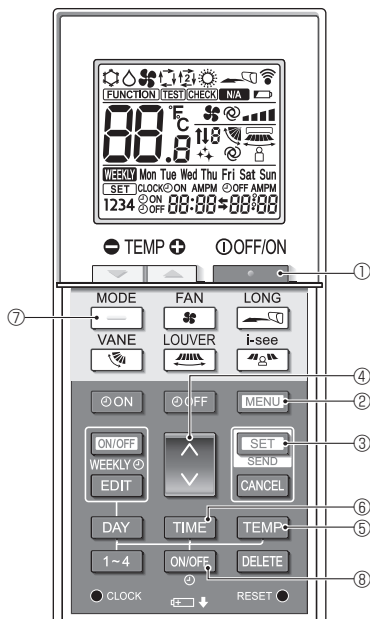


Fig. 6-9

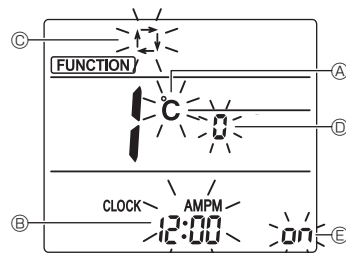


Fig. 6-10

6.2. Remote controller

6.2.1. For wired remote controller

1) 2 remote controllers setting

If 2 remote controllers are connected, set one to "Main" and the other to "Sub". For setting procedures, refer to "Function selection of remote controller" in the operation manual for the indoor unit.

6.2.2. For wireless remote controller

1) Installation area

- Area in which the remote controller is not exposed to direct sunshine.
- Area in which there is no nearby heating source.
- Area in which the remote controller is not exposed to cold (or hot) winds.
- Area in which the remote controller can be operated easily.
- Area in which the remote controller is beyond the reach of children.

2) Installation method (Fig. 6-7)

- ① Attach the remote controller holder to the desired location using 2 tapping screws.
- ② Place the lower end of the controller into the holder.
 - Ⓐ Remote controller Ⓑ Wall Ⓒ Display panel Ⓓ Receiver
- The signal can travel up to approximately 7 meters (in a straight line) within 45 degrees to both right and left of the center line of the receiver.

3) Setting (Clock setting) (Fig. 6-8)

- ① Insert batteries or press the **CLOCK** button with something sharp. [CLOCK] Ⓐ and [:] Ⓑ blink.
- ② Press the **RESET** button with something sharp.
- ③ Press the **↓** button to set the time. Press the **DAY** button to set the Day.
- ④ Press the **CLOCK** button with something sharp at the end. [CLOCK] and [:] lit.

4) Initial setting

The following settings can be made in the initial setting mode.

Item	Setting	Fig. 6-10
Temperature unit	°C/°F	Ⓐ
Time display	12-hour format/24-hour format	Ⓑ
AUTO mode	Single set point/Dual set point	Ⓒ
Pair No.	0-3	Ⓓ
Backlight	On/Off	Ⓔ

4-1. Switching to the initial setting mode

1. Press the **•** button ① to stop the air conditioner.
2. Press the **IMENU** button ②. The Function setting screen will be displayed and the function No. Ⓐ will blink. (Fig. 6-9) Press the **↓** button ④ to change the function No.
3. Check that function No. "1" is displayed, and then press the **SET** button ③. The display setting screen will be displayed. (Fig. 6-10)

4-2. Changing the temperature unit Ⓐ

- Press the **TEMP** button ⑤.
- Each time the **TEMP** button ⑤ is pressed, the setting switches between **°C** and **°F**.
°C: The temperature is displayed in degrees Celsius.
°F: The temperature is displayed in degrees Fahrenheit.

4-3. Changing the time display Ⓑ

- Press the **TIME** button ⑥.
- Each time the **TIME** button ⑥ is pressed, the setting switches between **12:00** and **24:00**.
12:00: The time is displayed in the 12-hour format.
24:00: The time is displayed in the 24-hour format.

4-4. Changing the AUTO mode Ⓒ

- Press the **—** button ⑦.
- Each time the **—** button ⑦ is pressed, the setting switches between **1** and **2**.
1: The AUTO mode operates as the usual automatic mode.
2: The AUTO mode operates using dual set points.

4-5. Changing the pair No. Ⓓ

- Press the **↓** button ④.
- Each time the **↓** button ④ is pressed, the pair No. 0-3 changes.

Pair No. of wireless remote controller	Indoor PC board
0	Initial setting
1	Cut J41
2	Cut J42
3	Cut J41, J42

4-6. Changing the backlight setting Ⓔ

- Press the **ON/OFF** button ⑧.
- Each time the **ON/OFF** button ⑧ is pressed, the setting switches between **on** and **FF**.
on: The backlight comes on when a button is pressed.
FF: The backlight does not come on when a button is pressed.

6. Electrical work

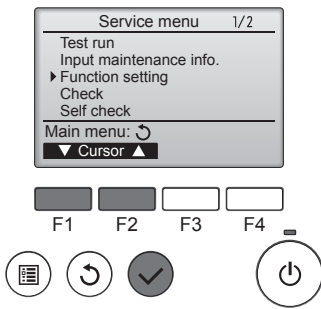


Fig. 6-11

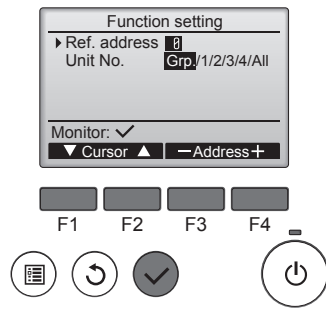


Fig. 6-12

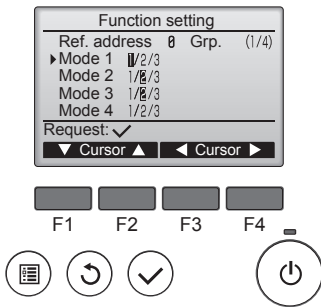


Fig. 6-13

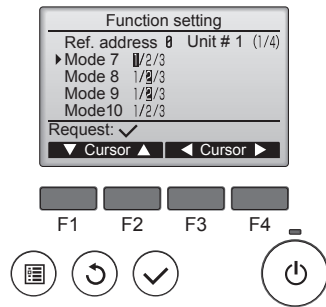


Fig. 6-14

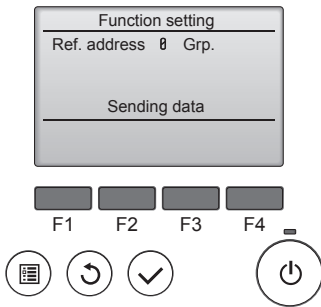


Fig. 6-15

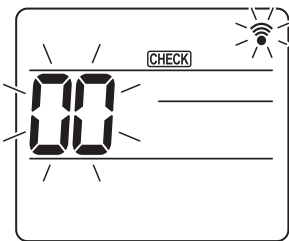


Fig. 6-16

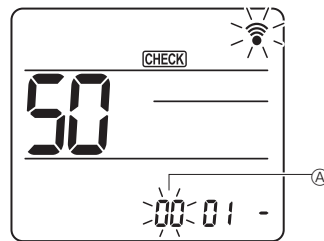


Fig. 6-17

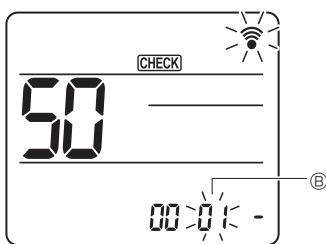


Fig. 6-18

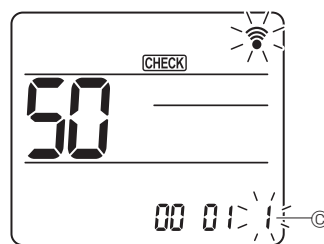


Fig. 6-19

6.3. Function settings

6.3.1. By wired remote controller

- ① (Fig. 6-11)
 - Select "Service" from the Main menu, and press the [SELECT] button.
 - Select "Function settings" with the [F1] or [F2] button, and press the [SELECT] button.
- ② (Fig. 6-12)
 - Set the indoor unit refrigerant addresses and unit numbers with the [F1] through [F4] buttons, and then press the [SELECT] button to confirm the current setting.

<Checking the Indoor unit No.>

When the [SELECT] button is pressed, the target indoor unit will start fan operation. If the unit is common or when running all units, all indoor units for the selected refrigerant address will start fan operation.

- ③ (Fig. 6-13)
 - When data collection from the indoor units is completed, the current settings appears highlight. Non-highlight items indicate that no function settings are made. Screen appearance varies depending on the "Unit No." setting.
- ④ (Fig. 6-14)
 - Use the [F1] or [F2] button to move the cursor to select the mode number, and change the setting number with the [F3] or [F4] button.
- ⑤ (Fig. 6-15)
 - When the settings are completed, press the [SELECT] button to send the setting data from the remote controller to the indoor units.
 - When the transmission is successfully completed, the screen will return to the Function setting screen.

6.3.2. By wireless remote controller

- ① Going to the function select mode

Press the [MENU] button between of 5 seconds.
(Start this operation from the status of remote controller display turned off.)
[CHECK] is lit and "00" blinks. (Fig. 6-16)
Press the [DOWN] button to set the "50".
Direct the wireless remote controller toward the receiver of the indoor unit and press the [SET] button.
- ② Setting the unit number

Press the [DOWN] button to set unit number ①. (Fig. 6-17)
Direct the wireless remote controller toward the receiver of the indoor unit and press the [SET] button.
- ③ Select a mode

Press the [DOWN] button to set Mode number ②. (Fig. 6-18)
Direct the wireless remote controller toward the receiver of the indoor unit and press the [SET] button.

Current setting number:

 - 1=1 beep (1 second)
 - 2=2 beep (1 second each)
 - 3=3 beep (1 second each)
- ④ Selecting the setting number

Use the [DOWN] button to change the Setting number ③. (Fig. 6-19)
Direct the wireless remote controller toward the receiver of the indoor unit and press the [SET] button.
- ⑤ To select multiple functions continuously

Repeat select ③ and ④ to change multiple function settings continuously.
- ⑥ Complete function selection

Direct the wireless remote controller toward the sensor of the indoor unit and press the [OFF/ON] button.

Note:

Make the above settings on Mr. Slim units as necessary.

- Table 1 summarizes the setting options for each mode number.
- Be sure to write down the settings for all functions if any of the initial settings has been changed after the completion of installation work.

6. Electrical work

Function table (Table 1)

Select unit number 00

Mode	Settings	Mode no.	Setting no.	Initial setting	setting
Power failure automatic recovery	Not available	01	1		
	Available *1		2	O *2	
Indoor temperature detecting	Indoor unit operating average	02	1	O	
	Set by indoor unit's remote controller		2		
	Remote controller's internal sensor		3		
LOSSNAY connectivity	Not Supported	03	1	O	
	Supported (indoor unit is not equipped with outdoor-air intake)		2		
	Supported (indoor unit is equipped with outdoor-air intake)		3		
Power voltage	240 V	04	1		
	220 V, 230 V		2	O	

Select unit numbers 01 to 03 or all units (AL [wired remote controller]/07 [wireless remote controller])

Mode	Settings	Mode no.	Setting no.	Initial setting	setting
Filter sign	100Hr	07	1		
	2500Hr		2	O	
	No filter sign indicator		3		
Fan speed	Silent (low ceiling)	08	1		
	Standard		2	O	
	High ceiling		3		
No. of air outlets	4 directions	09	1	O	
	3 directions		2		
	2 directions		3		
Installed options (high efficiency filter)	Not supported	10	1	O	
	Supported		2		
Up/down vane setting	Downward setting (vaner angle setup ③)	11	1		
	Middle setting (vaner angle setup ①)		2		
	Draft - less setting (vaner angle setup ②)		3	O	
Fan speed during the cooling thermostat is OFF	Setting fan speed	27	1		
	Stop		2		
	Extra low		3	O	

*1 When the power supply returns, the air conditioner will start 3 minutes later.

*2 Power failure automatic recovery initial setting depends on the connecting outdoor unit.

7. Test run

7.1. Before test run

- ▶ After completing installation and the wiring and piping of the indoor and outdoor units, check for refrigerant leakage, looseness in the power supply or control wiring, wrong polarity, and no disconnection of one phase in the supply.
- ▶ Use a 500-volt megohmmeter to check that the resistance between the power supply terminals and ground is at least 1.0 MΩ.

- ▶ Do not carry out this test on the control wiring (low voltage circuit) terminals.
- ⚠ **Warning:**
Do not use the air conditioner if the insulation resistance is less than 1.0 MΩ.

7.2. Test run

7.2.1. Using wired remote controller.

- Make sure to read operation manual before test run. (Especially items to secure safety)

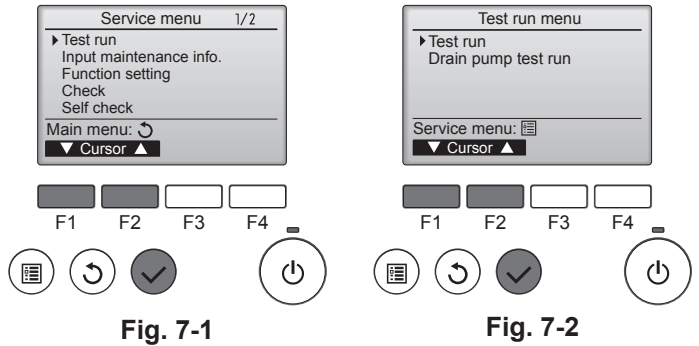
Step 1 Turn on the power.

- Remote controller: The system will go into startup mode, and the remote controller power lamp (green) and "PLEASE WAIT" will blink. While the lamp and message are blinking, the remote controller cannot be operated. Wait until "PLEASE WAIT" is not displayed before operating the remote controller. After the power is turned on, "PLEASE WAIT" will be displayed for approximately 2 minutes.
 - Indoor controller board: LED 1 will be lit up, LED 2 will be lit up (if the address is 0) or off (if the address is not 0), and LED 3 will blink.
 - Outdoor controller board: LED 1 (green) and LED 2 (red) will be lit up. (After the startup mode of the system finishes, LED 2 will be turned off.) If the outdoor controller board uses a digital display, [-] and [-] will be displayed alternately every second.
- If the operations do not function correctly after the procedures in step 2 and thereafter are performed, the following causes should be considered and eliminated if they are found.
(The symptoms below occur during the test run mode. "Startup" in the table means the LED display written above.)

Symptoms in test run mode		Cause
Remote Controller Display	OUTDOOR BOARD LED Display < > indicates digital display.	
Remote controller displays "PLEASE WAIT", and cannot be operated.	After "startup" is displayed, only green lights up. <00>	• After power is turned on, "PLEASE WAIT" is displayed for 2 minutes during system startup. (Normal)
After power is turned on, "PLEASE WAIT" is displayed for 3 minutes, then error code is displayed.	After "startup" is displayed, green(once) and red(once) blink alternately. <F1> After "startup" is displayed, green(once) and red(twice) blink alternately. <F3, F5, F9>	• Incorrect connection of outdoor terminal block (R, S, T and S ₁ , S ₂ , S ₃ .) • Outdoor unit's protection device connector is open.
No display appears even when remote controller operation switch is turned on. (Operation lamp does not light up.)	After "startup" is displayed, green(twice) and red(once) blink alternately. <EA, Eb> After "startup" is displayed, only green lights up. <00>	• Incorrect wiring between the indoor and outdoor unit (Polarity is wrong for S ₁ , S ₂ , S ₃ .) • Remote controller transmission wire short. • There is no outdoor unit of address 0. (Address is other than 0.) • Remote controller transmission wire open.
Display appears but soon disappears even when remote controller is operated.	After "startup" is displayed, only green lights up. <00>	• After canceling function selection, operation is not possible for about 30 seconds. (Normal)

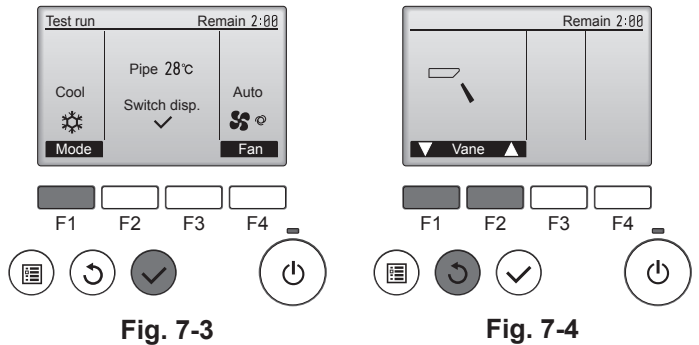
Step 2 Switch the remote controller to "Test run".

- ① Select "Test run" from the Service menu, and press the [SELECT] button. (Fig. 7-1)
- ② Select "Test run" from the Test run menu, and press the [SELECT] button. (Fig. 7-2)
- ③ The test run operation starts, and the Test run operation screen is displayed.



Step 3 Perform the test run and check the airflow temperature and auto vane.

- ① Press the [F1] button to change the operation mode. (Fig. 7-3)
Cooling mode: Check that cool air blows from the unit.
Heating mode: Check that warm air blows from the unit.
- ② Press the [SELECT] button to display the Vane operation screen, and then press the [F1] and [F2] buttons to check the auto vane. (Fig. 7-4)
Press the [RETURN] button to return to the Test run operation screen.



7. Test run

Step 4 Confirm the operation of the outdoor unit fan.

The speed of the outdoor unit fan is controlled in order to control the performance of the unit. Depending on the ambient air, the fan will rotate at a slow speed and will keep rotating at that speed unless the performance is insufficient. Therefore, the outdoor wind may cause the fan to stop rotating or to rotate in the opposite direction, but this is not a problem.

Step 5 Stop the test run.

① Press the [ON/OFF] button to stop the test run. (The Test run menu will appear.)
 Note: If an error is displayed on the remote controller, see the table below.

LCD	Description of malfunction	LCD	Description of malfunction	LCD	Description of malfunction
P1	Intake sensor error	P9	Pipe sensor error (dual-wall pipe)	E0 – E5	Communication error between the remote controller and the indoor unit
P2	Pipe sensor error (liquid pipe)	PA	Leakage error (refrigerant system)		
P4	Drain float switch connector disconnected (CN4F)	Pb	Indoor unit fan motor error		
P5	Drain overflow protection operation	PL	Refrigerant circuit abnormal	E6 – EF	Communication error between the indoor unit and the outdoor unit
P6	Freezing/overheating protection operation	FB	Indoor controller board error		
P8	Pipe temperature error	U*, F* (* indicates an alphanumeric character excluding FB.)	Outdoor unit malfunction Refer to the wiring diagram for the outdoor unit.		

See the table below for the details of the LED display (LED 1, 2, and 3) on the indoor controller board.

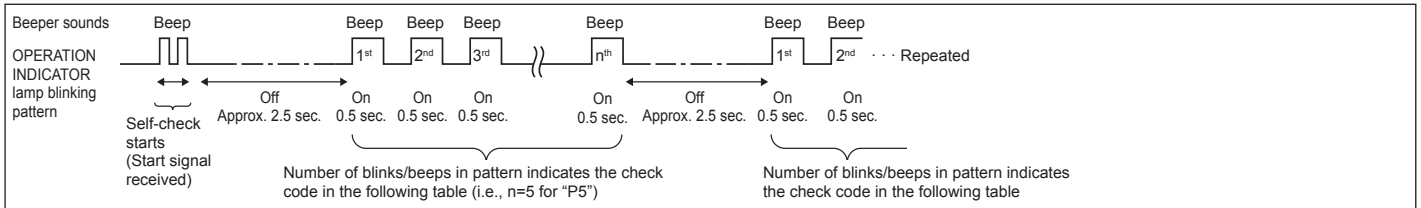
LED 1 (microcomputer power supply)	Indicates whether control power is supplied. Make sure that this LED is always lit.
LED 2 (remote controller power supply)	Indicates whether power is supplied to the wired remote controller. The LED is lit only for the indoor unit that is connected to the outdoor unit that has an address of 0.
LED 3 (indoor/outdoor unit communication)	Indicates whether the indoor and outdoor units are communicating. Make sure that this LED is always blinking.

7.3. Self-check

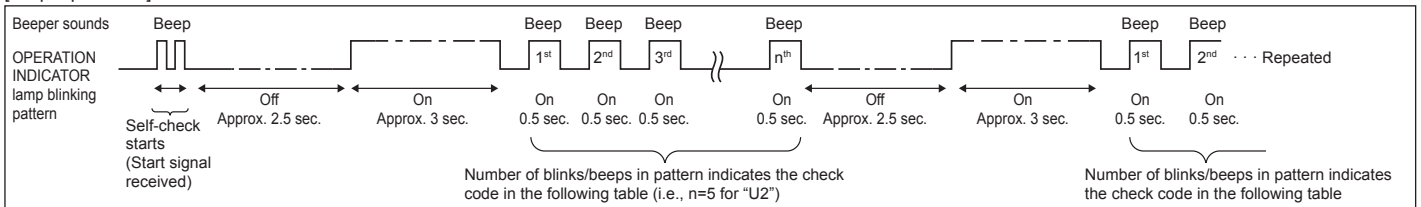
■ Refer to the installation manual that comes with each remote controller for details.

• Refer to the following tables for details on the check codes. (Wireless remote controller)

[Output pattern A]



[Output pattern B]



7. Test run

[Output pattern A] Errors detected by indoor unit

Wireless remote controller Beeper sounds/OPERATION INDICATOR lamp blinks (Number of times)	Wired remote controller Check code	Symptom	Remark
1	P1	Intake sensor error	
2	P2	Pipe (TH2) sensor error	
	P9	Pipe (TH5) sensor error	
3	E6, E7	Indoor/outdoor unit communication error	
4	P4	Drain sensor error / Float switch connector open	
5	P5	Drain pump error	
	PA	Forced compressor error	
6	P6	Freezing/Overheating protection operation	
7	EE	Communication error between indoor and outdoor units	
8	P8	Pipe temperature error	
9	E4	Remote controller signal receiving error	
10	—	—	
11	Pb	Indoor unit fan motor error	
12	Fb	Indoor unit control system error (memory error, etc.)	
14	PL	Refrigerant circuit abnormal	
No sound	E0, E3	Remote controller transmission error	
No sound	E1, E2	Remote controller control board error	
No sound	— — — —	No corresponding	

[Output pattern B] Errors detected by unit other than indoor unit (outdoor unit, etc.)

Wireless remote controller Beeper sounds/OPERATION INDICATOR lamp blinks (Number of times)	Wired remote controller Check code	Symptom	Remark
1	E9	Indoor/outdoor unit communication error (Transmitting error) (Outdoor unit)	For details, check the LED display of the outdoor controller board.
2	UP	Compressor overcurrent interruption	
3	U3, U4	Open/short of outdoor unit thermistors	
4	UF	Compressor overcurrent interruption (When compressor locked)	
5	U2	Abnormal high discharging temperature/49C worked/insufficient refrigerant	
6	U1, Ud	Abnormal high pressure (63H worked)/Overheating protection operation	
7	U5	Abnormal temperature of heat sink	
8	U8	Outdoor unit fan protection stop	
9	U6	Compressor overcurrent interruption/Abnormal of power module	
10	U7	Abnormality of super heat due to low discharge temperature	
11	U9, UH	Abnormality such as overvoltage or voltage shortage and abnormal synchronous signal to main circuit/Current sensor error	
12	—	—	
13	—	—	
14	Others	Other errors (Refer to the technical manual for the outdoor unit.)	

*1 If the beeper does not sound again after the initial 2 beeps to confirm the self-check start signal was received and the OPERATION INDICATOR lamp does not come on, there are no error records.

*2 If the beeper sounds 3 times continuously "beep, beep, beep (0.4 + 0.4 + 0.4 sec.)" after the initial 2 beeps to confirm the self-check start signal was received, the specified refrigerant address is incorrect.

- On wireless remote controller
The continuous buzzer sounds from receiving section of indoor unit.
Blink of operation lamp
- On wired remote controller
Check code displayed in the LCD.

7. Test run

- If the unit cannot be operated properly after test run, refer to the following table to find the cause.

Symptom		LED 1, 2 (PCB in outdoor unit)	Cause
Wired remote controller			
PLEASE WAIT	For about 2 minutes after power-on	After LED 1, 2 are lit, LED 2 is turned off, then only LED 1 is lit. (Correct operation)	•For about 2 minutes after power-on, operation of the remote controller is not possible due to system start-up. (Correct operation)
PLEASE WAIT → Error code	Subsequent to about 2 minutes after power-on	Only LED 1 is lit. → LED 1, 2 blink.	•Connector for the outdoor unit's protection device is not connected. Reverse or open phase wiring for the outdoor unit's power terminal block (L1, L2, L3)
Display messages do not appear even when operation switch is turned ON (operation lamp does not light up).		Only LED 1 is lit. → LED 1 blinks twice, LED 2 blinks once.	•Incorrect wiring between indoor and outdoor units (incorrect polarity of S1, S2, S3) •Remote controller wire short

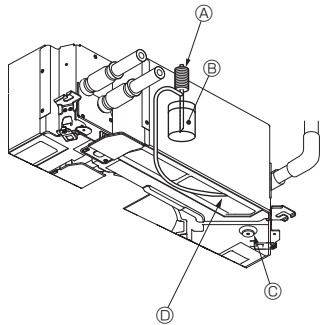
On the wireless remote controller with condition above, following phenomena take place.

- No signals from the remote controller are accepted.
- Operation lamp is blinking.
- The buzzer makes a short ping sound.

Note:

Operation is not possible for about 30 seconds after cancellation of function selection. (Correct operation)

For description of each LED (LED 1, 2, 3) provided on the indoor controller, refer to page 15.



- Ⓐ Water supply pump
 - Ⓑ Water (about 1000 cc)
 - Ⓒ Drain plug
 - Ⓓ Pour water through outlet
- Be careful not to spray water into the drain pump mechanism.

Fig. 7-5

7.4. Check of drainage (Fig. 7-5)

- Ensure that the water is being properly drained out and that no water is leaking from joints.

When electric work is completed.

- Pour water during cooling operation of test run (refer to 7.2.) and check.

When electric work is not completed.

- Pour water during emergency operation and check.

* Drain pan and fan are activated simultaneously when single phase 220-240 V is turned on to S1 and S2 on terminal block after the connector (SWE) on controller board in the electrical box is set to ON.

Be sure to turn it back to the former state after work.

8. System control

Refer to the outdoor unit installation manual.

9. Installing the grille

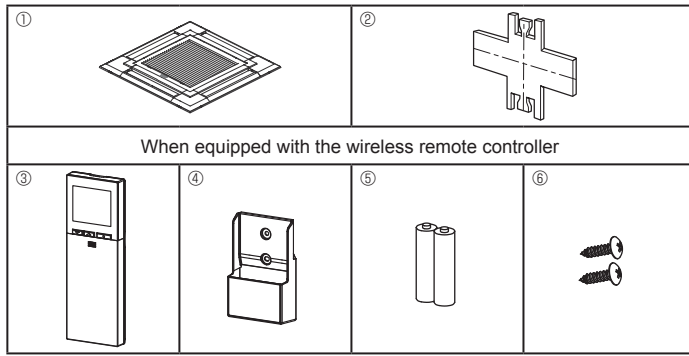


Fig. 9-1

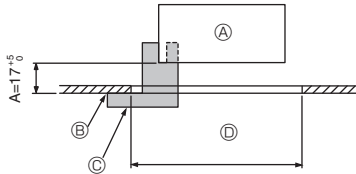


Fig. 9-2

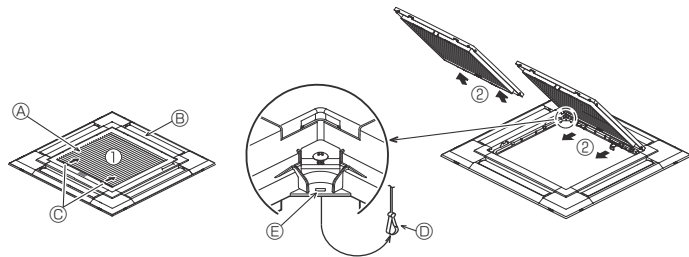


Fig. 9-3

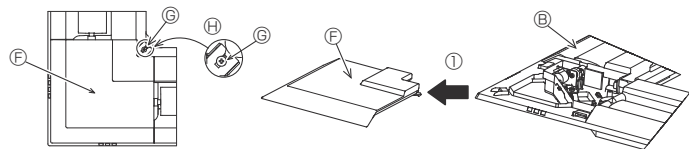


Fig. 9-4

	4-directional	3-directional
Blowout direction patterns	1 pattern: initial setting 	4 patterns: one air outlet fully closed
Blowout direction patterns	2-directional	
Blowout direction patterns	6 patterns: 2 air outlet fully closed 	

Table 1

<Hook is in the raised position>

<Hook is in the lowered position>

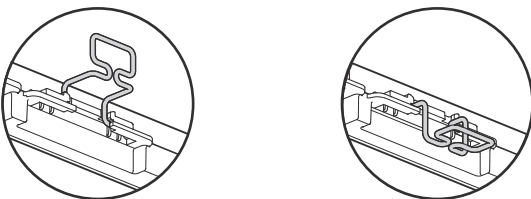


Fig. 9-5

9.1. Checking the contents (Fig. 9-1)

- This kit contains this manual and the following parts.

	Accessory name	Q'ty	Remarks
①	Grille	1	950 × 950 (mm)
②	Installation gauge	1	(Divided into 4 parts)
③	Wireless remote controller	1	For PLP-6EALM
④	Remote controller holder	1	Included when equipped with the wireless remote controller.
⑤	LR6 AA batteries	2	Included when equipped with the wireless remote controller.
⑥	3.5 × 16 tapping screws	2	Included when equipped with the wireless remote controller.

9.2. Preparing to attach the grille (Fig. 9-2)

- With the gauge ② supplied with this kit, adjust and check the positioning of the main unit relative to the ceiling surface. If the main unit is not properly positioned relative to the ceiling surface, it may allow air leaks or cause condensation to collect.
- Make sure that the opening in the ceiling is within the following tolerances: 860 × 860 - 910 × 910
- Make sure that A is performed within 17 - 22 mm. Damage could result by failing to adhere to this range.
 - Ⓐ Main unit
 - Ⓑ Ceiling surface
 - Ⓒ Installation gauge ② (inserted into the main unit)
 - Ⓓ Ceiling opening dimensions

9.2.1. Removing the intake grille (Fig. 9-3)

- Slide the levers in the direction indicated by the arrows ① to open the intake grille.
- Unlatch the hook that secures the grille.
 - * Do not unlatch the hook for the intake grille.
- With the intake grille in the "open" position, remove the hinge of the intake grille from the grille as indicated by the arrows ②.

9.2.2. Removing the corner panel (Fig. 9-4)

- Loose the 4 screws on the corner. Slide the corner panel in the direction of the arrow ① in the figure and remove the corner panel.

[Fig. 9-3] [Fig. 9-4]

- Ⓐ Intake grille
- Ⓑ Grille ①
- Ⓒ Intake grille levers
- Ⓓ Grille hook
- Ⓔ Hole for the grille's hook
- Ⓕ Corner panel
- Ⓖ Screw
- Ⓗ Detail

9.3. Selection of air outlets

For this grille the discharge direction is available in 11 patterns. Also, by setting the remote controller to the appropriate settings, you can adjust the air-flow and speed. Select the required settings from the Table 1 according to the location in which you want to install the unit. (More than two directions must be selected.)

- Decide on the discharge direction pattern.
- Be sure to set the remote controller to the appropriate settings according to the number of air outlets and the height of the ceiling on which the main unit will be installed. (Refer to page 13.)

Note:

- When changing the number of directions, you need an air outlet shutter plate, which is optional part.
- Do not select 2 directions in a hot and humid environment. (Dew formation or dew drop may result.)

9.4. Installing the grille

9.4.1. Preparations (Fig. 9-5)

Make sure to flip 2 hooks on the grille up.

9. Installing the grille

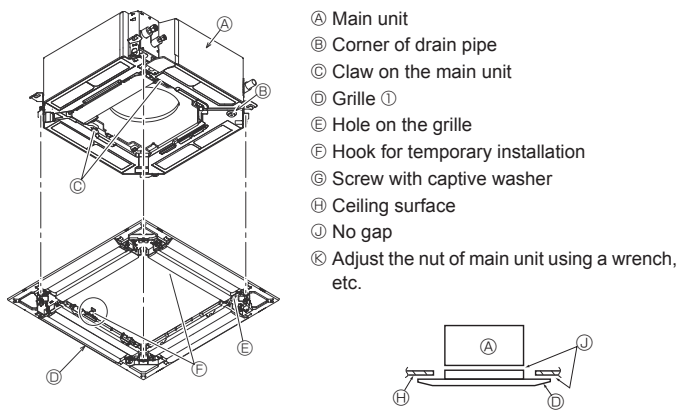


Fig. 9-6

< The grille temporary installed >

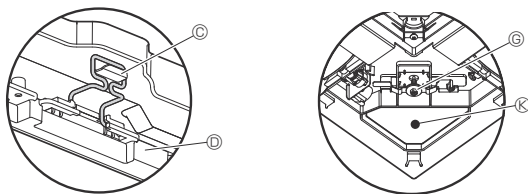


Fig. 9-7

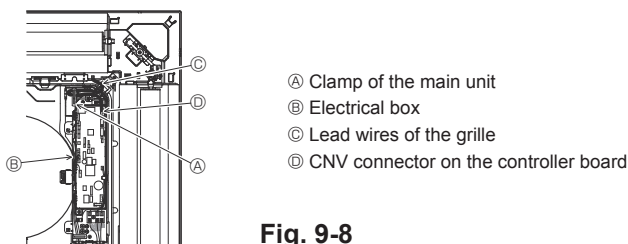


Fig. 9-8

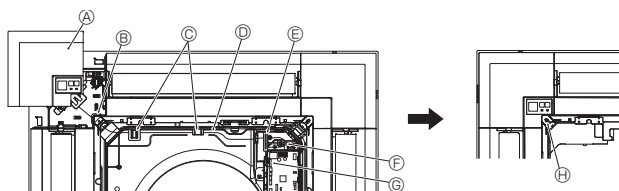


Fig. 9-9

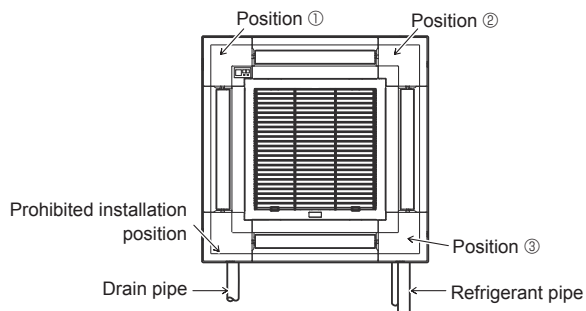


Fig. 9-10

9.4.2. Temporary installation of the grille (Fig. 9-6)

- Join the corner of drain pipe on the main unit with the corner with hole on the grille and put them together temporarily by hanging the hook of the grille to the claw of the main unit.

9.4.3. Fixing the grille

- By tightening the pre-installed screws, fix the grille onto the main unit. (Fig. 9-6)
Note:
Make sure there is no gap between the main unit and the grille or between the grille and the ceiling surface. (Fig. 9-6)

If there is a gap between the grille and the ceiling:
With the grille attached, slightly adjust the installation height of the main unit and clear the gap.

⚠ Caution:

- When tightening the screw, make sure that the tightening torque is 2.8 N·m to 3.6 N·m. Never use an impact screw driver.
- After tightening the screw, confirm that the two grille hooks (Fig. 9-6) are latched onto the hooks on the main unit.

9.4.4. Wire connection (Fig. 9-8)

- Loose the 2 screws fixing the electrical box cover on the main unit, and slide the cover to open.
- Route the lead wire from side of the electrical box.
- Make sure to connect a connector for vane motor (white, 20 poles) to CNV connector (white) on the controller board of the main unit.
- Lead wires that lead off the grille must be held together without slack using a clamp into the electrical box.

9.4.5. Installing signal receiver (Fig. 9-9)

- Route the lead wire (white, 9 poles) for signal receiver corner panel from the side of the electrical box on the main unit.
- Make sure to connect to CN90 (white) on the controller board.
- Make sure that the lead wire of the signal receiver corner panel is passed through the claw of bellmouth.
- The remaining lead wire must be held together without slack using a clamp into the electrical box.
- Put the cover back on the electrical box with 2 screws.

Note:

Make sure wires are not caught in the electrical box cover.
Install the signal receiver corner panel to the panel and fix with the screw.
The signal receiver corner panel can not be installed on the drain pipe side for the main unit. (Refer to Fig. 9-10)

- Ⓐ Signal receiver corner panel
- Ⓑ Hole of grille (Pass the lead wire.)
- Ⓒ Claw of bell mouth
- Ⓓ Wire
- Ⓔ Clamp
- Ⓕ Cable band (Secure the lead wire.)
- Ⓖ CN90 on controller board
- Ⓗ Screw

9. Installing the grille

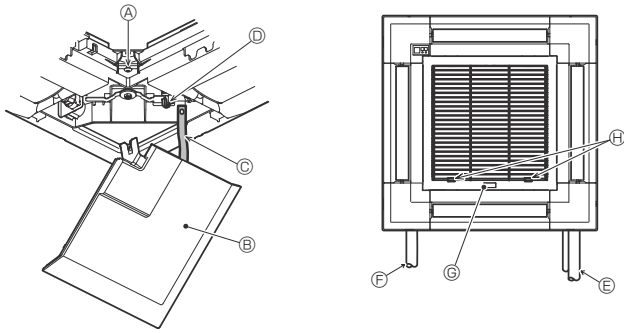


Fig. 9-11

9.5. Installing the intake grille (Fig. 9-11)

Note:

When reinstalling the corner panels (each with a safety strap attached), connect the other end of each safety strap to the grille as shown in the illustration.

* If the corner panels are not attached surely, they may fall off while the main unit is operating.

• Perform the procedure that is described in "9.2. Preparing to attach the grille" in reverse order to install the intake grille and the corner panel.

• The direction of the intake grille can be changed according to the wishes of the customer.

Ⓐ Screw (4 × 16)

Ⓑ Corner panel

Ⓒ Safety strap

Ⓓ Hook

Ⓔ Refrigerant pipe

Ⓕ Drain pipe

Ⓖ Company logo

* Installation in any position is possible.

ⓓ Initial position of the levers on the intake grille

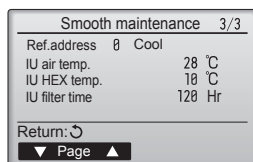
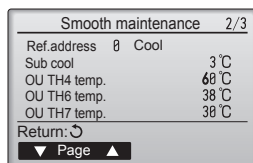
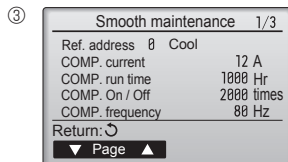
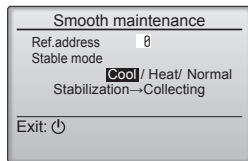
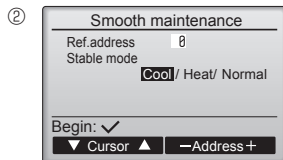
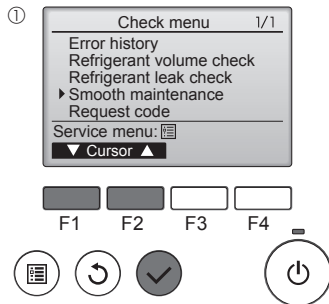
* Although the clips can be installed in any of 4 positions, the configuration shown here is recommended. (It is not necessary to remove the intake grille when maintenance is performed on the electrical box of the main unit.)

10. Easy maintenance function

Maintenance data, such as the indoor/outdoor unit's heat exchanger temperature and compressor operation current can be displayed with "Smooth maintenance".

* This cannot be executed during test operation.

* Depending on the combination with the outdoor unit, this may not be supported by some models.



• Select "Service" from the Main menu, and press the [SELECT] button.

• Select "Check" with the [F1] or [F2] button, and press the [SELECT] button.

• Select "Smooth maintenance" with the [F1] or [F2] button, and press the [SELECT] button.

Select each item.

• Select the item to be changed with the [F1] or [F2] button.

• Select the required setting with the [F3] or [F4] button.

"Ref. address" setting "0" - "15"

"Stable mode" setting..... "Cool" / "Heat" / "Normal"

• Press the [SELECT] button, fixed operation will start.

* Stable mode will take approx. 20 minutes.

The operation data will appear.

The Compressor-Accumulated operating (COMP. run) time is 10-hour unit, and the Compressor-Number of operation times (COMP. On/Off) is a 100-time unit (fractions discarded)

Navigating through the screens

- To go back to the Main menu.....[MENU] button
- To return to the previous screen [RETURN] button

Inhaltsverzeichnis

1. Sicherheitsvorkehrungen.....	21	6. Elektroarbeiten	27
2. Aufstellort	22	7. Testlauf	33
3. Anbringung der Innenanlage	23	8. Kontrolle des Systems	36
4. Installation der Kältemittelrohrleitung	25	9. Anbringung des Gitters.....	37
5. Verrohrung der Drainage.....	26	10. Funktion für einfache Wartung	39





Hinweis:

Der Begriff „Verdrahte Fernbedienung“ in dieser Bedienungsanleitung bezieht sich auf den PAR-32MAA. Entnehmen Sie weitere Informationen zur anderen Fernbedienung entweder dem in diesen Paketen beiliegenden Installationshandbuch oder Grundeinstellungshandbuch.



1. Sicherheitsvorkehrungen

- ▶ Vor dem Einbau der Anlage vergewissern, daß Sie alle Informationen über „Sicherheitsvorkehrungen“ gelesen haben.
- ▶ Die „Sicherheitsvorkehrungen“ enthalten sehr wichtige Sicherheitsgesichtspunkte. Sie sollten sie unbedingt befolgen.
- ▶ Vor dem Anschließen dieses Geräts an das Stromnetz Ihr Energieversorgungsunternehmen informieren oder dessen Genehmigung einholen.



BEDEUTUNG DER SYMBOLE AM GERÄT

	WARNUNG (Brandgefahr)	Dieses Symbol gilt nur für das Kältemittel R32. Der Kältemitteltyp ist auf dem Typenschild des Außengeräts angegeben. Falls der Kältemitteltyp dieses Geräts R32 ist, ist das Kältemittel des Geräts entzündlich. Wenn Kältemittel austritt und mit Feuer oder heißen Teilen in Berührung kommt, entsteht schädliches Gas und es besteht Brandgefahr.
	Lesen Sie vor dem Betrieb sorgfältig das BEDIENUNGSHANDBUCH.	
	Servicetechniker müssen vor dem Betrieb das BEDIENUNGSHANDBUCH und die INSTALLATIONSANLEITUNG sorgfältig lesen.	
	Weitere Informationen sind im BEDIENUNGSHANDBUCH, in der INSTALLATIONSANLEITUNG usw. enthalten.	

Im Text verwendete Symbole

-  **Warnung:**
Beschreibt Vorkehrungen, die beachtet werden sollten, um den Benutzer vor der Gefahr von Verletzungen oder tödlicher Unfälle zu bewahren.
-  **Vorsicht:**
Beschreibt Vorkehrungen, die beachtet werden sollten, damit an der Anlage keine Schäden entstehen.

In den Abbildungen verwendete Symbole

-  : Verweist auf einen Teil der Anlage, der geerdet werden muß.
-  : Tun Sie dieses auf keinen Fall.

Erläutern Sie dem Kunden nach Abschluß der Installationsarbeiten die „Sicherheitsvorkehrungen“ sowie die Nutzung und Wartung der Anlage entsprechend den Informationen in der Bedienungsanleitung und führen Sie einen Testlauf durch, um sicherzustellen, daß die Anlage ordnungsgemäß funktioniert. Geben Sie dem Benutzer sowohl die Installations- als auch die Bedienungsanleitung zur Aufbewahrung. Diese Anleitungen sind auch den nachfolgenden Besitzern der Anlage weiterzugeben.

 **Warnung:**

- Sorgfältig die auf der Hauptanlage aufgebrachten Aufschriften lesen.
- Bitten Sie Ihren Fachhändler oder einen geprüften Fachtechniker, die Installation, Umpositionierung und Reparatur der Anlage vorzunehmen.
- Der Nutzer sollte keinesfalls versuchen, die Anlage selbst zu reparieren oder an eine andere Stelle zu transferieren.
- Verändern Sie die Anlage nicht.
- Folgen Sie bei der Installation und Umpositionierung den Anweisungen in der Installationsanleitung und verwenden Sie Werkzeuge und Rohrleitungskomponenten, die ausdrücklich für den Einsatz mit dem Kältemittel ausgelegt sind, das in der Installationsanleitung des Außengeräts angegeben ist.
- Die Anlage muß entsprechend den Anweisungen installiert werden, um die Gefahr von Schäden in Folge von Erdbeben, Stürmen oder starkem Windeinfluß zu minimieren. Eine falsch installierte Anlage kann herabfallen und dabei Verletzungen oder Sachschäden verursachen.
- Die Anlage muß sicher an einem Bauteil installiert werden, das das Gewicht der Anlage tragen kann.
- Das Gerät muss in einem gut belüfteten Bereich aufbewahrt werden, dessen Raumgröße der für den Betrieb vorgegebenen Raumfläche entspricht.
- Wenn die Klimaanlage in einem kleinen oder geschlossenen Raum installiert wird, müssen Maßnahmen ergriffen werden, damit im Fall eines Kältemittelaustritts die Kältemittelkonzentration in dem Raum den Sicherheitsgrenzwert nicht überschreitet. Sollte Kältemittel austreten und der Grenzwert der Kältemittelkonzentration überschritten werden, können durch den Sauerstoffmangel im Raum Gefahren entstehen.
- Halten Sie Gasbrenner, elektrische Heizungen und andere Feuerquellen (Zündquellen) von dem Ort fern, an dem Installations-, Reparatur- oder sonstige Arbeiten an der Klimaanlage durchgeführt werden. Wenn das Kältemittel mit einer Flamme in Kontakt kommt, werden giftige Gase freigesetzt.
- Lüften Sie den Raum, wenn bei Betrieb Kältemittel austritt. Wenn Kältemittel mit einer Flamme in Berührung kommt, werden dabei giftige Gase freigesetzt.
- Alle Elektroarbeiten müssen entsprechend den örtlichen Vorschriften und den Anweisungen in dieser Anleitung von qualifizierten Fachelektrikern ausgeführt werden.
- Verwenden Sie zur Verdrahtung nur die angegebenen Kabel. Die Anschlüsse müssen fest und sicher ohne Zugbelastung auf den Klemmen vorgenommen werden. Spleißen Sie außerdem niemals die Kabel für die Verdrahtung (außer es wird in diesem Dokument entsprechend angegeben). Wenn die Kabel falsch angeschlossen oder installiert sind, kann dies Überhitzung oder einen Brand zur Folge haben.
- Verwenden Sie nach der Installation, dem Umsetzen oder Warten der Klimaanlage nur das auf dem Außengerät angegebene Kältemittel zum Füllen der Kältemittelleitungen. Vermischen Sie es nicht mit anderem Kältemittel und lassen Sie nicht zu, dass Luft in den Leitungen zurückbleibt. Wenn sich Luft mit dem Kältemittel vermischt, kann dies zu einem ungewöhnlich hohen Druck in der Kältemittelleitung führen und eine Explosion oder andere Gefahren verursachen. Die Verwendung eines anderen als des für das System angegebenen Kältemittels führt zu mechanischem Versagen, einer Fehlfunktion des Systems oder einer

- Beschädigung des Geräts. Im schlimmsten Fall kann sie ein schwerwiegendes Hindernis für die Aufrechterhaltung der Produktsicherheit darstellen.
- Das Gerät muss entsprechend den örtlichen Vorschriften zur Verkabelung eingebaut werden.
- Dieses Gerät darf von Personen (einschließlich Kindern) mit eingeschränkten physischen, sensorischen oder mentalen Fähigkeiten, bzw. ohne ausreichende Erfahrung und Wissen, erst nach Einweisung und Anleitung zum Gebrauch des Geräts durch eine für ihre Sicherheit verantwortliche Person verwendet werden.
- Kinder sollten beaufsichtigt werden, um sicherzustellen, dass sie nicht an den Geräten herumspielen.
- Die Klemmleistenabdeckung der Anlage muss ordnungsgemäß angebracht sein.
- Wenn das Netzkabel beschädigt ist, muss er vom Hersteller, dem entsprechenden Kundendienstmitarbeiter oder einer ähnlich qualifizierten Person ersetzt werden, um Gefahrensituationen zu vermeiden.
- Verwenden Sie nur von Mitsubishi Electric zugelassenes Zubehör, und lassen Sie dieses durch Ihren Fachhändler oder eine Vertragswerkstatt einbauen.
- Prüfen Sie die Anlage nach Abschluß der Installation auf Kältemittelaustritt. Wenn Kältemittel in den Raum gelangt und mit der Flamme einer Heizung oder eines Gasherds in Berührung kommt, werden dabei giftige Gase freigesetzt.
- Verwenden Sie keine anderen als vom Hersteller empfohlenen Mittel, um das Abtauen zu beschleunigen oder das Gerät zu reinigen.
- Das Gerät muss in einem Raum ohne kontinuierlich betriebene Zündquellen (zum Beispiel: offenes Feuer, ein in Betrieb befindliches Gasgerät oder eine in Betrieb befindliche Elektroheizung) aufbewahrt werden.
- Nicht durchstechen oder verbrennen.
- Bedenken Sie, dass Kältemittel geruchslos sein können.
- Rohrleitungen müssen vor physischen Beschädigungen geschützt werden.
- Die Installation von Rohrleitungen muss auf ein Mindestmaß beschränkt werden.
- Die Einhaltung nationaler Gasverordnungen muss sichergestellt werden.
- Halten Sie alle erforderlichen Lüftungsöffnungen stets frei.
- Verwenden Sie beim Lötten der Kältemittelleitungen keine Niedrigtemperatur-Lötlegierung.
- Bei Lötarbeiten muss der Raum ausreichend belüftet werden. Achten Sie darauf, dass sich keine gefährlichen oder entzündlichen Materialien in der Nähe befinden. Vergewissern Sie sich vor dem Arbeiten in einem geschlossenen oder kleinen Raum oder an ähnlichen Örtlichkeiten, dass nirgendwo Kältemittel austritt. Austretendes Kältemittel, das sich ansammelt, kann sich entzünden oder giftige Gase freisetzen.

1. Sicherheitsvorkehrungen

1.1. Vor der Installation (Umgebung)

⚠ Vorsicht:

- Setzen Sie die Anlage nicht in unüblichem Umfeld ein. Wenn die Klimaanlage in Bereichen installiert ist, in denen sie Rauch, austretendem Öl (einschliesslich Maschinenöl) oder Schwefeldämpfen ausgesetzt ist, oder in Gegenden mit hohem Salzgehalt, etwa am Meer, kann dies zu erheblichen Leistungsbeeinträchtigungen und Schäden an den Geräteteilen im Inneren der Anlage zur Folge haben.
- Installieren Sie die Anlage nicht in Bereichen, in denen entzündliche Gase austreten, hergestellt werden, ausströmen oder sich ansammeln können. Wenn sich entzündliche Gase im Bereich der Anlage ansammeln, kann dies zu einem Brand oder einer Explosion führen.
- Achten Sie darauf, daß sich weder Nahrungsmittel, Pflanzen, Käfigtiere, Kunstgegenstände noch Präzisionsinstrumente im direkten Luftstrom der Innenanlage oder zu nahe der Anlage befinden, da diese durch Temperaturschwankungen oder tropfendes Wasser beschädigt werden können.
- Wenn die Luftfeuchtigkeit im Raum 80% überschreitet oder wenn die Abableitung verstopft ist, kann Wasser von der Innenanlage tropfen. Installieren Sie die Innenanlage nicht an Stellen, an denen tropfendes Wasser Schäden verursachen kann.
- Bei der Installation der Anlage in Krankenhäusern oder Kommunikationseinrichtungen müssen Sie mit Lärmbelastung und elektronischen Störungen rechnen. Inverter, Haushaltsgeräte, medizinische Hochfrequenzapparate und Telekommunikationseinrichtungen können Fehlfunktionen oder den Ausfall der Klimaanlage verursachen. Die Klimaanlage kann auch medizinische Geräte in Mitleidenschaft ziehen, die medizinische Versorgung und Kommunikationseinrichtungen durch Beeinträchtigung der Bildschirmdarstellung stören.

1.2. Vor Installation oder Transport

⚠ Vorsicht:

- Lassen Sie beim Transport der Anlagen besondere Vorsicht walten. Zum Transport der Anlage sind mindestens zwei Personen nötig, da die Anlage 20 kg oder mehr wiegt. Tragen Sie die Anlage nicht an den Verpackungsbändern. Tragen Sie Schutzhandschuhe, um Verletzungen der Hände durch die Kühlrippen oder andere Teile zu vermeiden.
- Sorgen Sie für eine ordnungsgemäße Entsorgung der Verpackungsmaterialien. Verpackungsmaterialien wie Nägel sowie andere metallene oder hölzerne Teile können Verletzungen verursachen.
- Um Kondenswasserbildung zu verhindern, muss die Kühlmittelleitung isoliert werden. Wenn die Kühlmittelleitung nicht korrekt isoliert ist, bildet sich Kondenswasser.
- Bringen Sie Thermoisolierungen an den Rohren an, um Kondenswasserbildung zu verhindern. Wenn die Abflußleitung nicht ordnungsgemäß installiert ist, können Wasseraustritt und Beschädigungen von Decke, Fußboden, Möbeln oder anderen Gegenständen die Folge sein.
- Die Klimaanlage darf nicht mit Wasser gereinigt werden. Dabei kann es zu Stromschlägen kommen.
- Alle Konusmuttern müssen mit einem Drehmomentschlüssel entsprechend der technischen Anweisungen angezogen werden. Wenn die Muttern zu fest angezogen werden, besteht die Gefahr, dass sie nach einer gewissen Zeit brechen.
- Wenn das Gerät lange Zeit betrieben wird, während die Luft an der Decke eine hohe Temperatur/hohe Luftfeuchtigkeit (Taupunkt über 26 °C) aufweist, kann Tau am Innengerät oder an den Deckenmaterialien kondensieren. Wird das Gerät unter diesen Bedingungen betrieben, muss die gesamte Oberfläche des Geräts und der Deckenmaterialien mit Isoliermaterial (10-20 mm) versehen werden, um Kondensation zu vermeiden.

1.3. Vor den Elektroarbeiten

⚠ Vorsicht:

- Installieren Sie auf jeden Fall Leistungsschalter. Andernfalls besteht die Gefahr von Stromschlägen.
- Verwenden Sie für die Netzleitungen handelsübliche Kabel mit ausreichender Kapazität. Andernfalls besteht die Gefahr von Kurzschlüssen, Überhitzung oder eines Brandes.
- Achten Sie bei der Installation der Netzleitungen darauf, daß keine Zugspannung für die Kabel entsteht.
- Die Anlage muß geerdet werden. Wenn die Anlage nicht ordnungsgemäß geerdet ist, besteht die Gefahr von Stromschlägen.
- Verwenden Sie Leistungsschalter (Erdschlußunterbrecher, Trennschalter (+B-Sicherung) und gußgekapselte Leistungsschalter) mit der angegebenen Kapazität. Wenn die Leistungsschalterkapazität größer ist als vorgeschrieben, kann dies einen Ausfall der Klimaanlage oder einen Brand zur Folge haben.

1.4. Vor dem Testlauf

⚠ Vorsicht:

- Schalten Sie den Netzschalter mehr als 12 Stunden vor Betriebsbeginn ein. Ein Betriebsbeginn unmittelbar nach Einschalten des Netzschalters kann zu schwerwiegenden Schäden der Innenteile führen.
- Prüfen Sie vor Betriebsbeginn, ob alle Platten, Sicherungen und weitere Schutzvorrichtungen ordnungsgemäß installiert sind. Rotierende, heiße oder unter Hochspannung stehende Bauteile können Verletzungen verursachen.
- Betreiben Sie die Klimaanlage nicht ohne eingesetzten Luftfilter. Wenn der Luftfilter nicht installiert ist, besteht die Gefahr, daß sich Schmutz ansammelt und die Anlage dadurch ausfällt.
- Berühren Sie Schalter nicht mit nassen Händen. Dadurch besteht die Gefahr eines Stromschlags.
- Berühren Sie die Kältemittelrohre während des Betriebs nicht mit bloßen Händen.
- Nach Beendigung des Betriebs müssen mindestens fünf Minuten verstreichen, ehe der Hauptschalter ausgeschaltet wird. Andernfalls besteht die Gefahr von Wasseraustritt oder Ausfall der Anlage.

2. Aufstellort

Siehe Aussenanlagen-Installationsanleitung.

3. Anbringung der Innenanlage

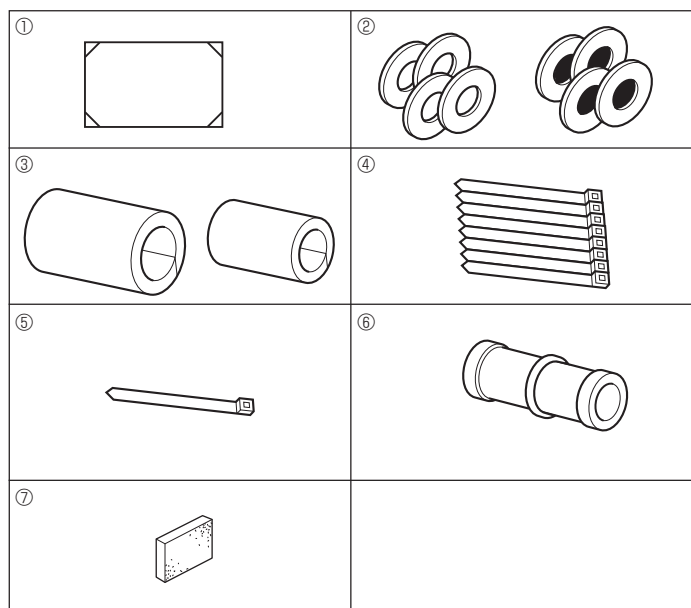


Fig. 3-1

3.1. Zubehörteile der Innenanlage prüfen (Fig. 3-1)

Zum Lieferumfang der Innenanlage gehört folgendes Sonderzubehör.

	Bezeichnung des Zubehörteile	Anzahl
①	Montageschablone (oben in der packung)	1
②	Unterlegscheibe (mit Isolierung) Unterlegscheibe (ohne Isolierung)	4
③	Rohrabdeckung (für Verbindung der Kältemittelrohrleitung) kleiner Durchmesser großer Durchmesser	1 1
④	Kabelbinder (groß)	8
⑤	Kabelbinder (klein)	1
⑥	Ablabmuffe	1
⑦	Isolierung	1

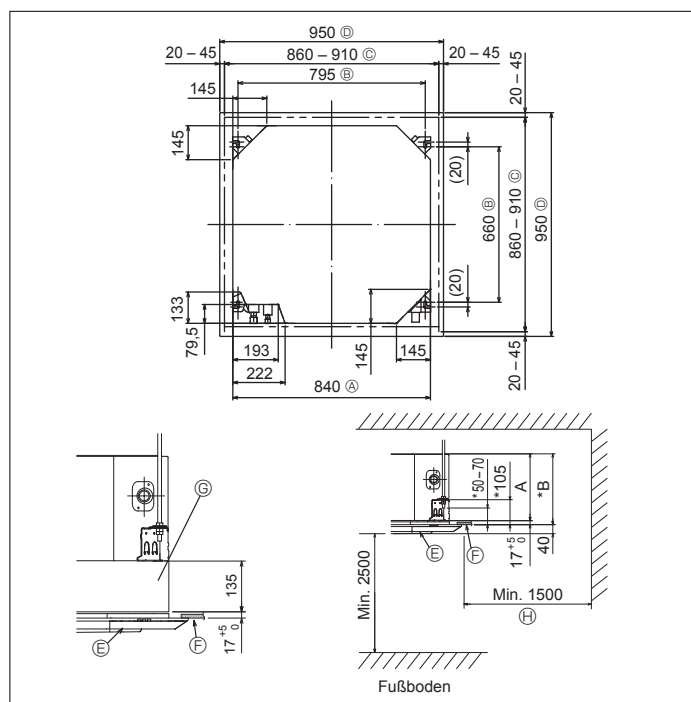


Fig. 3-2

3.2. Lage der Öffnungen in der Decke und der Befestigungsschrauben für die Aufhängung (Fig. 3-2)

⚠ Vorsicht:

Innenanlage mindestens 2,5 m über dem Fußboden oder Planum einbauen!
Für Geräte, die für die Öffentlichkeit nicht zugänglich sind.

- Mit der Installationsschablone (Oberseite der Packung) und dem Meßgerät (als Zubehör mit dem Gitter geliefert) eine Öffnung in der Decke anbringen, damit die Hauptanlage, wie in der Abbildung dargestellt, installiert werden kann. (Das Verfahren zur Verwendung der Schablone und des Meßgerätes wird dargestellt.)
 - Vor Benutzung der Schablone und der Meßvorrichtung deren Abmessungen überprüfen, weil sie sich aufgrund von Veränderungen der Temperatur und der Luftfeuchtigkeit ändern können.
 - Die Abmessungen der Deckenöffnung können innerhalb des in Fig. 3-2 dargestellten Bereichs angepaßt werden. Deshalb ist die Hauptanlage in der Deckenöffnung zu zentrieren und sicherzustellen, daß die jeweils gegenüberliegenden Seiten überall den gleichen Abstand aufweisen.
- Zur Aufhängung Stehbolzen M10 (3/8") verwenden.
 - Aufhängungsstehbolzen sind vor Ort zu beschaffen.
- Sicher anbringen und vergewissern, daß zwischen Deckenplatte und Gitter sowie zwischen Hauptanlage und Gitter keine Freiräume vorhanden sind.

- Ⓐ Außenseite der Hauptanlage Ⓔ Gitter
- Ⓑ Abstand zwischen Ⓕ Decke
- Ⓒ Deckenöffnung Ⓖ Multifunktionaler Flügelrahmen (optional)
- Ⓓ Außenseite des Gitters Ⓖ Gesamte Außenseite

* Beachten Sie, dass der Abstand zwischen der oberen Blende des Geräts und der Decke 7 mm oder mehr betragen muss.

* Wenn der optionale multifunktionale Flügelrahmen eingebaut ist, sind 135 mm zu den in der Abbildung gekennzeichneten Maßen hinzuzufügen.

(mm)

Modelle	A	B
SM71	241	258
SM100-140	281	298

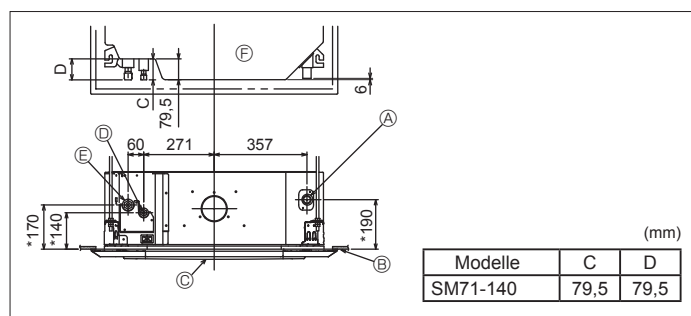


Fig. 3-3

3.3. Lage der Kältemittel- und Abflußrohrleitung der Innenanlage (Fig. 3-3)

Die in der Zeichnung mit * gekennzeichneten Zahlen beziehen sich auf Maße der Hauptanlage mit Ausnahme derer, die für den als Sonderzubehör erhältlichen multifunktionalen Flügelrahmen gelten.

- Ⓐ Auslaufrohr
- Ⓑ Decke
- Ⓒ Gitter
- Ⓓ Kältemittelrohr (flüssig)
- Ⓔ Kältemittelrohr (gasförmig)
- Ⓕ Hauptanlage

* Bei Installation des als Zubehör erhältlichen multifunktionalen Flügelrahmens den in der Abbildung gekennzeichneten Maßen 135 mm hinzuzufügen.

3. Anbringung der Innenanlage

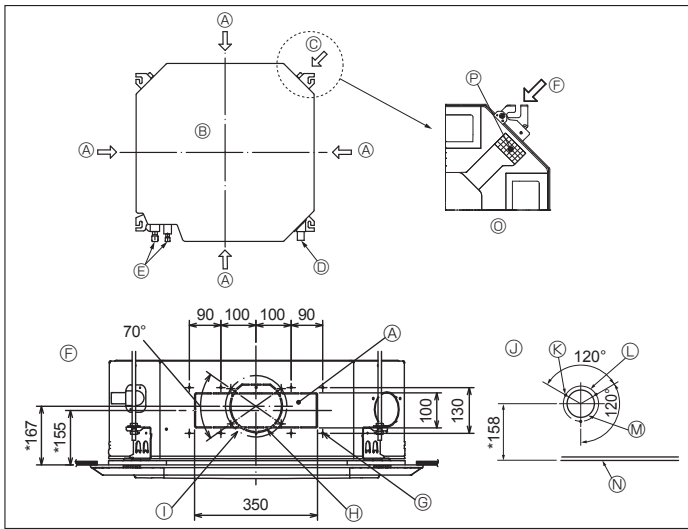


Fig. 3-4

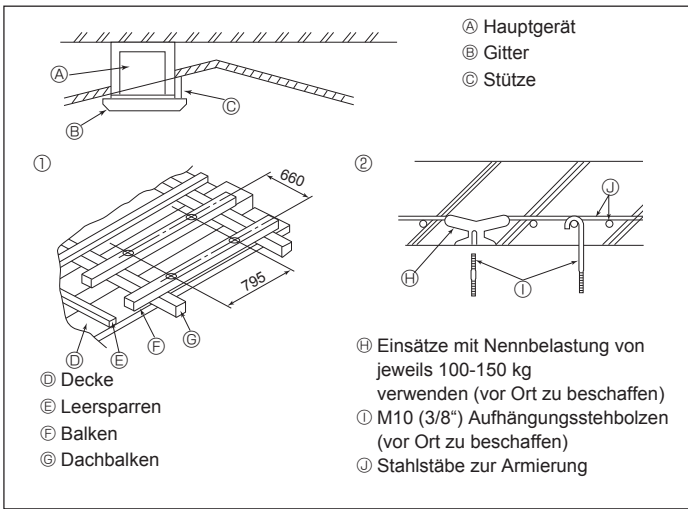


Fig. 3-5

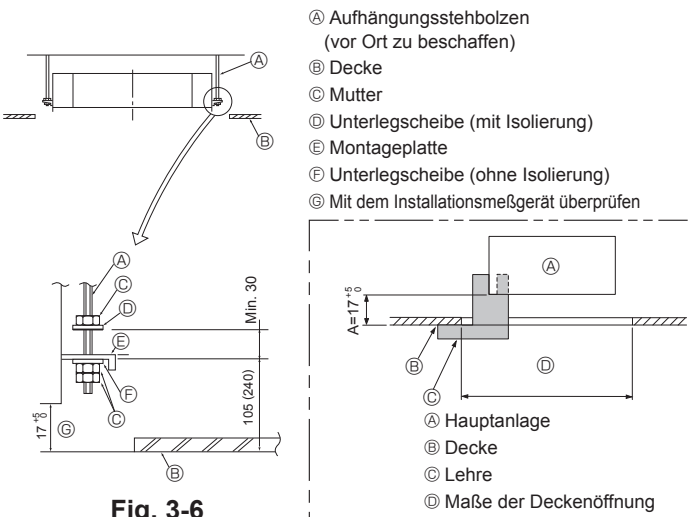


Fig. 3-6



Fig. 3-7

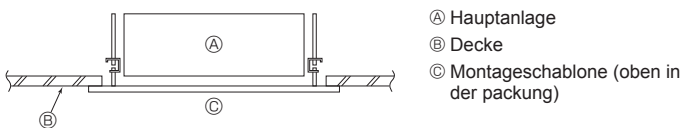


Fig. 3-8

3.4. Öffnung für Strömungskanalabzweigung und Öffnung für Frischluftansaugung (Fig. 3-4)

Zum Zeitpunkt des Einbaus sind bei Bedarf die Kanalöffnungen (Ausschnitte) zu verwenden, die sich an den in Fig. 3-4 gezeigten Stellen befinden.

- Eine Öffnung für die Frischluftansaugung kann auch für den als Sonderzubehör erhältlichen multifunktionalen Flügelrahmen angebracht werden.

Hinweis:

- Die in der Zeichnung mit * Sternchen gekennzeichnete Zahl steht für die Maße der Hauptanlage mit Ausnahme der Abmessungen des als Sonderzubehör erhältlichen multifunktionalen Flügelrahmens.
- Bei der Installation des als Sonderzubehör erhältlichen multifunktionalen Flügelrahmens zu den in der Abbildung gekennzeichneten Maßen 135 mm zugeben.
- Bei der Installation der Strömungskanalabzweigungen dafür sorgen, daß diese angemessen isoliert werden, da sich sonst Kondenswasser bilden und herab tropfen kann.
- Beim Anbringen der Frischluftansaugöffnung unbedingt die Dämmung entfernen, die an die Innenanlage geklebt ist.
- Wenn Außenluft unmittelbar über das Hauptgerät angesaugt wird, darf das Luftansaugvolumen maximal 5 % des Luftvolumens des Innengeräts betragen.
- Zum Ansaugen von Außenluft werden das Strömungskanalgebläse und der Staubaufnahmefilter benötigt, damit kein Staub und andere Partikel angesaugt werden. Zu Einzelheiten siehe „Frischluftansaugvolumen und Standdruckkennlinien“ im DATENBUCH der P-Serie.
- Wenn das Hauptgerät Außenluft aufnimmt, können die Betriebsgeräusche stärker sein.

- | | |
|--|---|
| A Öffnung für die Strömungskanalabzweigung | H Öffnung zum Ausschneiden \varnothing 150 |
| B Hauptgerät | I Abstand der Durchziehöffnung \varnothing 175 |
| C Öffnung für Frischluftansaugung | J Abbildung der Öffnung für die Frischluftansaugung |
| D Abflußrohr | K Gewindeschneidschrauben 3-4×10 |
| E Kältemittelrohr | L Abstand der Durchziehöffnung \varnothing 125 |
| F Abbildung der Öffnung der Strömungskanalabzweigung (Ansicht von einer der beiden Seiten) | M Öffnung zum Ausschneiden \varnothing 100 |
| G Gewindeschneidschrauben 14-4×10 | N Decke |
| | O Detailsicht zum Entfernen der Dämmung |
| | P Isolierung |

3.5. Bauliche Gestaltung der Aufhängung (Baustruktur der Aufhängung muß hoch belastbar sein) (Fig. 3-5)

Die Deckenkonstruktion ist von Haus zu Haus sehr unterschiedlich. Näheres ist bei Bauingenieuren und Innenarchitekten zu erfragen.

- (1) Umfang der Eingriffe in Deckenkonstruktionen: Der Deckenverlauf muß völlig horizontal bleiben, und die tragenden Elemente der Decke (Rahmentragwerk; Holzlaten und Lattenträger) müssen verstärkt werden, um die Decke vor Schwingungen zu schützen.
- (2) Deckenträger ausschneiden und herausnehmen.
- (3) An den Schnittstellen Deckenträger verstärken und zusätzliche Deckenträger zur Sicherung der Seiten der Deckenbalken anbringen.
- (4) Bei Montage der Innenanlage an einer schrägen Decke zwischen Decke und Gitter eine Stütze als Sicherheitssperre anbringen und so einstellen, daß die Anlage horizontal montiert wird.

- ① Holzbauten
- Verbindungsbalken (eingeschossige Häuser) oder Trägerbalken (zweigeschossige Häuser) als Verstärkungsglieder einsetzen.
- Holzbalken zur Aufhängung der Klimaanlage müssen von fester Struktur sein und mindestens 6 cm Seitenlänge haben, wenn die Balken nicht mehr als 90 cm auseinanderliegen sowie 9 cm Seitenlänge aufweisen, wenn die Balken bis zu 180 cm auseinanderliegen. Die Aufhängungsstehbolzen müssen einen Durchmesser von 10 mm (3/8") aufweisen. (Die Stehbolzen werden nicht mit der Anlage geliefert.)

② Stahlbetonbauweise

Die Stehbolzen der Aufhängung wie gezeigt sichern oder Stahl- oder Holzaufhängungen etc. benutzen. Zur Montage der Aufhängungsstehbolzen verwenden.

3.6. Verfahren zur Aufhängung der Anlage (Fig. 3-6)

Hauptanlage, wie in der Darstellung gezeigt, aufhängen.

In Klammern angegebene Zahlen stellen Maße dar, die bei Installation des als Sonderzubehör erhältlichen Flügelrahmens gelten.

1. Teile auf dem Aufhängungsstehbolzen in der Reihenfolge Unterlegscheiben (mit Isolierung), Unterlegscheiben (ohne Isolierung) und Muttern (Doppel) aufsetzen.
- Die Unterlegscheibe mit Polster anbringen, so daß die Isolierung nach unten zeigt.
- Bei Verwendung von oberen Unterlegscheiben bei der Aufhängung der Hauptanlage müssen untere Unterlegscheiben (mit Isolierung) und Muttern (Doppel) später aufgesetzt werden.
2. Anlage auf die für die Aufhängungsstehbolzen richtige Höhe anheben, so daß die Montageplatte zwischen die Unterlegscheiben geschoben werden kann, und dann fest anziehen.
3. Wenn sich die Hauptanlage nicht an den Montagelöchern in der Decke ausrichten läßt, kann sie mit einem dafür vorgesehenen Schlitz in der Montageplatte angepaßt werden.
- Darauf achten, daß Schritt A innerhalb von 17-22 mm ausgeführt wird. Nichtbeachtung dieses Bereichs kann Schäden nach sich ziehen. (Fig. 3-7)

⚠ Vorsicht:

Vor Installation der Zierabdeckung oder bei Anbringung des Deckenmaterials die obere Hälfte des Kastens als Schutzabdeckung gegen das Eindringen von Staub oder Rückständen in das Innere der Anlage verwenden.

3.7. Überprüfung der Position der Hauptanlage und Festziehen der Aufhängungsstehbolzen (Fig. 3-8)

- Mit der am Gitter angebrachten Meßvorrichtung vergewissern, daß die Unterseite der Hauptanlage vorschriftsmäßig mit der Öffnung in der Decke ausgerichtet ist. Dies muß unbedingt sichergestellt sein, da sonst Tropfenbildung durch Kondenswasser, verursacht durch Windstöße etc. entsteht.
- Vergewissern, daß die Hauptanlage waagrecht ausgerichtet ist. Dazu eine Wasserwaage oder ein mit Wasser gefülltes, durchsichtiges Kunststoffrohr verwenden.
- Nach Überprüfung der Position der Hauptanlage die Muttern der Aufhängungsstehbolzen fest anziehen und so die Hauptanlage endgültig befestigen.
- Die Installationsschablone (oben in der Packung) kann zum Schutz gegen das Eindringen von Staub in die Hauptanlage benutzt werden, wenn die Gitter eine Zeitlang nicht angebracht sind oder wenn die Deckenmaterialien nach Abschluß der Installation der Anlage zur Verkleidung ausgelegt werden.
- * Näheres über die Anbringung den auf der Montageschablone gegebenen Anweisungen entnehmen. (oben in der packung)

4. Installation der Kältemittelrohrleitung

4.1. Sicherheitsvorkehrungen

Für Geräte, die das Kältemittel R32/R410A verwenden

- Tragen Sie eine kleine Menge Alkylbenzol als Kältemittelöl auf die Konusan-schlüsse auf.
- Verwenden Sie zur Verbindung der Kältemittelrohrleitungen für nahtlose Rohre aus Kupfer und Kupferlegierungen Kupferphosphor C1220. Verwenden Sie Kältemittelrohre mit Stärken wie in der folgenden Tabelle angegeben. Vergewissern Sie sich, daß die Rohre von innen sauber sind und keine schädlichen Verunreinigung wie Schwefelverbindungen, Oxidationsmittel, Fremdkörper oder Staub enthalten.

⚠ Warnung:

Verwenden Sie nach der Installation, dem Umsetzen oder Warten der Klima-anlage nur das auf dem Außengerät angegebene Kältemittel zum Füllen der Kältemittelleitungen. Vermischen Sie es nicht mit anderem Kältemittel und lassen Sie nicht zu, dass Luft in den Leitungen zurückbleibt.

Wenn sich Luft mit dem Kältemittel vermischt, kann dies zu einem ungewöhnlich hohen Druck in der Kältemittelleitung führen und eine Explosion oder andere Gefahren verursachen.

Die Verwendung eines anderen als des für das System angegebenen Kältemittels führt zu mechanischem Versagen, einer Fehlfunktion des Systems oder einer Beschädigung des Geräts. Im schlimmsten Fall kann sie ein schwerwiegendes Hindernis für die Aufrechterhaltung der Produktsicherheit darstellen.

ø6,35 Stärke 0,8 mm	ø9,52 Stärke 0,8 mm
ø12,7 Stärke 0,8 mm	ø15,88 Stärke 1,0 mm

- Verwenden Sie keine dünneren Rohre als oben angegeben.

4.2. Rohranschlüsse (Fig. 4-1)

- Wenn im Handel erhältliche Kupferrohre verwendet werden, Flüssigkeits- und Gasrohre mit im Handel erhältlichem Isoliermaterial (Hitzebeständig bis 100 °C und mehr, Stärke 12 mm oder mehr) umwickeln.
- Vor dem Anziehen der Konusmutter eine dünne Schicht Kältemittel-Öl auf das Rohr und auf die Oberfläche des Sitzes an der Nahtstelle auftragen.
- Mit zwei Schraubenschlüsseln die Rohrleitungsanschlüsse fest anziehen.
- Die Anschlüsse der Innenanlage mit dem mitgelieferten Isoliermaterial für die Kältemittelrohrleitung isolieren. Beim Isolieren sorgfältig vorgehen.
- Nach Anschluß der Kältemittelrohrleitung dafür sorgen, daß die Rohrleitungsanschlüsse mit Stickstoffgas auf Gasdichte überprüft werden. (Sicherstellen, daß kein Kältemittelaustritt von der Kältemittelrohrleitung zum Innenaggregat erfolgt.)
- Verwenden Sie die an diesem Innengerät angebrachten Konusmuttern.
- Falls die Kältemittelrohre nach dem Abnehmen wieder angebracht werden, muss der Konusteil des Rohrs nachbearbeitet werden.

ⓑ Anzugsdrehmoment für die Konusmutter

Kupferrohr O.D. (mm)	Konusmutter O.D. (mm)	Anzugsdrehmoment (N·m)
ø6,35	17	14 - 18
ø6,35	22	34 - 42
ø9,52	22	34 - 42
ø12,7	26	49 - 61
ø15,88	29	68 - 82

ⓒ Tragen Sie Kältemaschinenöl auf die gesamte Konusaufschlagfläche auf.

ⓓ Die richtigen Konusmuttern, die zur Rohrgröße der Außenanlage passen, verwenden.

Verfügbare Rohrgröße

	SM71-140
Flüssigkeitsseite	ø9,52 O
Gasseite	ø15,88 O

O : Werkseitiger Konusmutteraufsatz für den Wärmetauscher

⚠ Warnung:

- **Sorgfältig darauf achten, die Konusmutter nicht gewaltsam zu öffnen! (Steht unter Innendruck)**

Die Konusmutter wie folgt abnehmen:

1. Die Mutter lockern bis ein zischendes Geräusch zu hören ist.
 2. Die Mutter nicht abnehmen bis das Gas vollständig ausgetreten ist (z. B. zischendes Geräusch hört auf).
 3. Prüfen, dass das Gas vollständig ausgetreten ist und erst dann die Mutter abnehmen.
- Schließen Sie die Kältemittelleitungen beim Installieren des Geräts fest an, bevor Sie den Kompressor einschalten.

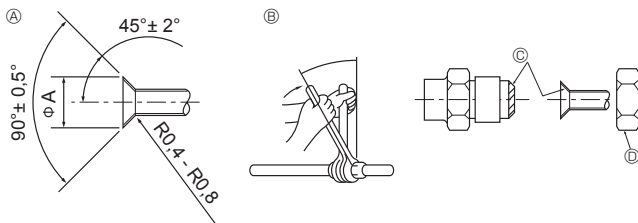


Fig. 4-1

Ⓐ Abmessungen der Aufweitungsschnitte

Kupferrohr O.D. (mm)	Aufweitungsabmessungen øA Abmessungen (mm)
ø6,35	8,7 - 9,1
ø9,52	12,8 - 13,2
ø12,7	16,2 - 16,6
ø15,88	19,3 - 19,7

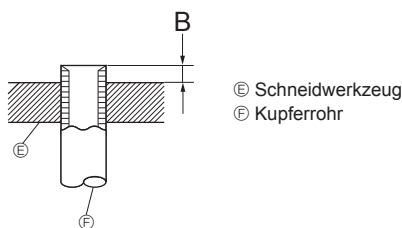


Fig. 4-2

Kupferrohr O.D. (mm)	B (mm)	
	Aufweitungswerkzeug für R32/R410A	Kupplungsbauweise
ø6,35 (1/4")	0 - 0,5	
ø9,52 (3/8")	0 - 0,5	
ø12,7 (1/2")	0 - 0,5	
ø15,88 (5/8")	0 - 0,5	

4. Installation der Kältemittelrohrleitung

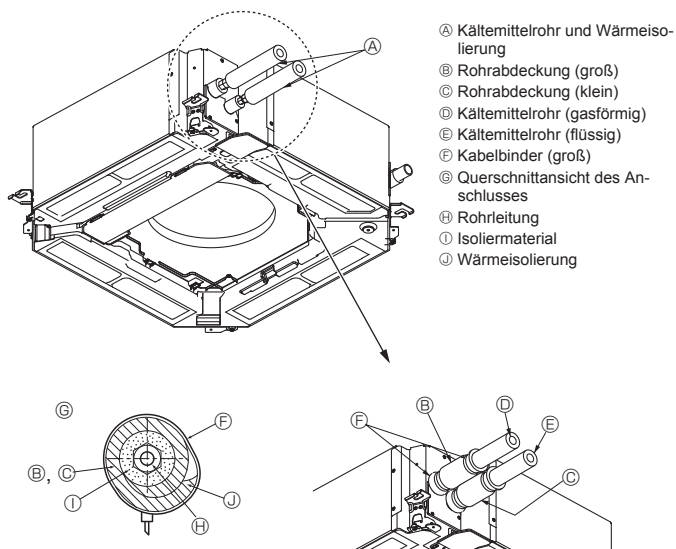


Fig. 4-3

5. Verrohrung der Dränage

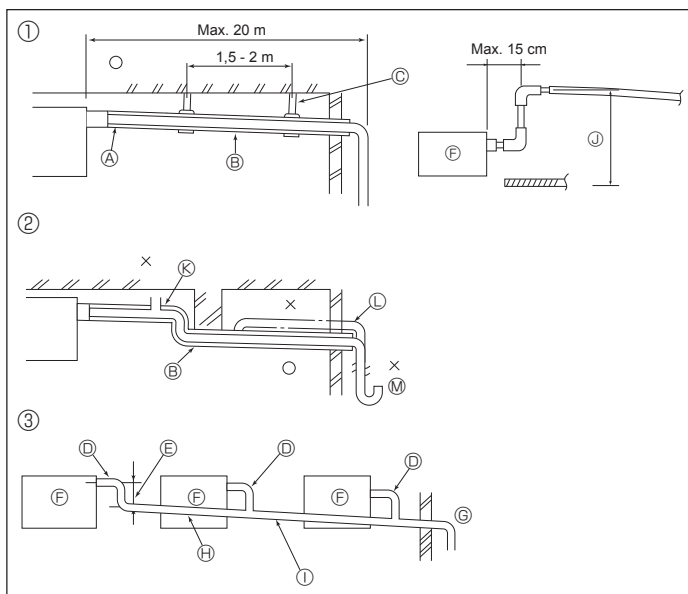


Fig. 5-1

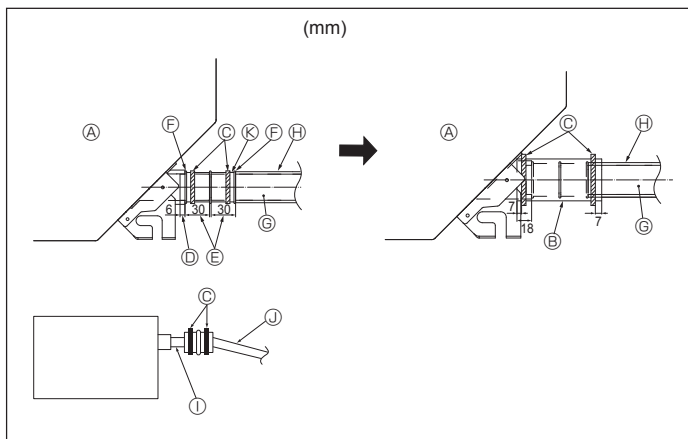


Fig. 5-2

Wärmeisolierung für Kältemittelrohre (Fig. 4-3)

- 1 Die mitgelieferte große Rohrabdeckung um das Gasrohr herumwickeln und dafür sorgen, daß das Ende der Rohrabdeckung bis unmittelbar an die Anlage heranreicht.
- 2 Die mitgelieferte kleine Rohrabdeckung um das Flüssigkeitsrohr herumwickeln und darauf achten, daß das Ende der Rohrabdeckung bis unmittelbar an die Seite der Anlage heranreicht.
- 3 Beide Enden jeder Rohrabdeckung mit den mitgelieferten Bändern sichern. (Die Bänder 20 mm von den Enden der Rohrabdeckung anbringen.)

4.3. Für Doppelkombination

Siehe Aussenanlagen-Installationsanleitung.

Einige Außengeräte können nicht gleichzeitig in einem Doppel-System verwendet werden.

5.1. Verrohrung der Dränage (Fig. 5-1)

- Die in der Anlage befindlichen Teile der Abblaströhre sollten mit Isoliermaterial aus Schaumstoff (spezifisches Gewicht 0,03 - 9 mm oder stärker) umwickelt werden.
 - VP25 (O.D. ø32 PVC Rohr) als Dränagerohr verwenden und 1/100 oder mehr Gefälle vorsehen.
 - Die Rohrverbindungen müssen mit einem Klebemittel auf PVC-Basis befestigt werden.
 - Die Abbildung für die Verrohrung beachten.
 - Mit dem beigegeführten Auslaufschlauch die Absaugrichtung ändern.
 - Beim Durchführen der Dränageverrohrung unbedingt die stützenden Metallhalterungen verwenden.
- Wenn eine Last auf den Auslassanschluss ausgeübt wird, die den Schlauch beschädigt oder bewirkt, dass sich der Schlauch löst, kann Wasser austreten.

- | | |
|--|---|
| ① Richtige Verrohrung | Ⓒ Sammelrohrleitung möglichst groß auslegen. |
| ② Falsche Verrohrung | Ⓓ Gefälle (1/100 oder mehr) |
| ③ Sammelrohrleitung | Ⓛ O.D. ø38 PVC Rohr für Sammelrohrleitung (9 mm Isolierung oder mehr) |
| Ⓐ Isolierung (9 mm oder mehr) | Ⓜ Bis zu 85 cm |
| Ⓑ Gefälle (1/100 oder mehr) | Ⓝ Entlüfter |
| Ⓒ Metallträger | Ⓞ Angehoben |
| Ⓓ O.D. ø32 PVC Rohr | Ⓟ Siphon |
| Ⓔ So groß wie möglich auslegen (ca. 10 cm) | |
| Ⓕ Hauptgerät | |

1. Die Abblasmuffe (mit der Anlage geliefert) an den Dränageauslaß anschließen. (Fig. 5-2) (Das Rohr mit PVC-Kleber ankleben und dann mit einem Band sichern.)
 2. Ein vor Ort beschafftes Auslaufrohr (PVC-Rohr, O.D. ø32) installieren. (Das Rohr mit PVC-Kleber ankleben und dann mit einem Band sichern.)
 3. Vergewissern, daß der Auslauf einwandfrei erfolgt.
 4. Den Dränageauslass und den Anschluss mit Isoliermaterial isolieren und das Material mit einem Band sichern. (Sowohl Isoliermaterial als auch das Band werden mit der Anlage geliefert.)
 5. Biegsames Rohr und Rohrleitung isolieren (PVC-Rohr, O.D. ø32).
- | | |
|-------------------------------|--|
| Ⓐ Hauptgerät | Ⓒ Auslaufrohr (PVC-Rohr, O.D. ø32) |
| Ⓑ Isoliermaterial | Ⓓ Isoliermaterial (vor Ort beschafft) |
| Ⓒ Kabelbinder (groß) | Ⓛ Transparentes PVC-Rohr |
| Ⓓ Dränageauslaß (transparent) | Ⓜ PVC-Rohr, O.D. ø32 (Neigung 1/100 oder mehr) |
| Ⓔ Toleranz für den Einsatz | Ⓝ Abblasmuffe |
| Ⓕ Anpassung | |

6. Elektroarbeiten

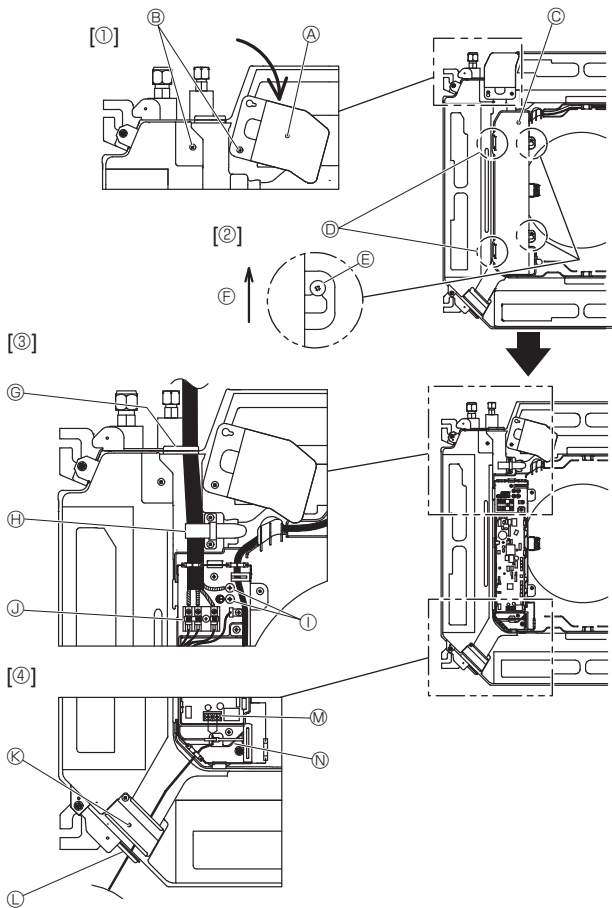


Fig. 6-1

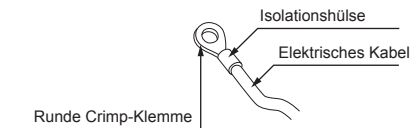


Fig. 6-2

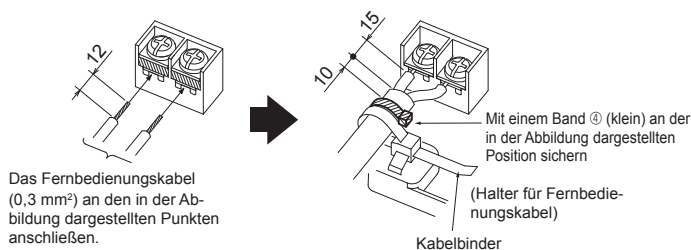


Fig. 6-3

<Beim Verlegen von zwei Innengerät-Außengerät-Verbindungskabeln>

- Wenn die Kabel denselben Durchmesser aufweisen, führen Sie sie in die Aussparungen auf beiden Seiten ein.
- Wenn die Kabel einen unterschiedlichen Durchmesser aufweisen, führen Sie sie übereinander auf einer Seite in gesonderte Räume ein.

Fig. 6-5

6.1. Innenanlage (Fig. 6-1)

1. Die beiden Befestigungsschrauben der Kabelblende lösen und dann die Kabelblende drehen. [Fig. 6-1 ①]
2. Die beiden Befestigungsschrauben des Elektrokastendeckels lösen und dann den Deckel verschieben. [Fig. 6-1 ②]
3. Führen Sie das Netzkabel, das Verbindungskabel für Innen-/Außengerät und den Schutzleiter durch die Verdrahtungseingänge in der Abbildung. [Fig. 6-1 ③] Bringen Sie den Ummantelungsabschnitt des Netzkabels und des Verbindungskabels für Innen-/Außengerät im Elektrokasten unter. Verwenden Sie runde Crimp-Klemmen für die Innengerät-Außengerät-Verbindungsklemme und den optionalen Bausatz für die Netzanschlussklemmen. [Fig. 6-2] Falls keine runden Crimp-Klemmen verwendet werden können, wie in Fig. 6-3 bis 6-6 gezeigt vorgehen. Zur Verbindung siehe 6.1.1 und 6.1.2.
4. Das Fernbedienungskabel durch die in der Abbildung gezeigten Verdrahtungseingänge führen und anschließen. [Fig. 6-1 ④, Fig. 6-3] Zur Verbindung siehe 6.1.1 und 6.1.2.
 - Die Schrauben der Anschlussklemmen dürfen nicht locker sein.

Schraubenanzugsmoment

	Anzugsmoment (N·m)
Klemmenplatte für Fernbedienung	1,2 ± 0,1
Innengerät-Außengerät-Verbindungsklemmenplatte	1,6 ± 0,1
Schutzleiter	1,6 ± 0,1

- Lassen Sie ein Extrastück Kabel übrig, damit der Elektroschaltkasten bei der Wartung unter dem Gerät hängen kann (ca. 50 bis 100 mm).

- Ⓐ Kabelblende
- Ⓑ Schraube
- Ⓒ Abdeckung des Elektroschaltkastens
- Ⓓ Vorübergehender Haken für die Abdeckung des Elektroschaltkastens
- Ⓔ Schraube
- Ⓕ Schieberichtung der Abdeckung des Elektroschaltkastens
- Ⓖ Eingang für Netzkabel und Innen-/Außengerätverbindungskabel
- Ⓗ Mit Kabelbinder sichern.
- Ⓘ Schutzleiter
- Ⓚ Anschlussklemme für Innengerät/Außengerät-Verbindung
- Ⓛ Kabelblende (Fernbedienung)
- Ⓛ Eingang für Kabel der verdrahteten Fernbedienung
- Ⓜ Anschlussklemme für verdrahtete Fernbedienung
- Ⓝ Mit Kabelbinder sichern.

⚠ Vorsicht:

- Die Verdrahtung des Fernbedienungskabels muss (mindestens 5 cm) von der Stromversorgungsverdrahtung entfernt sein, damit keine elektrischen Störungen auftreten.

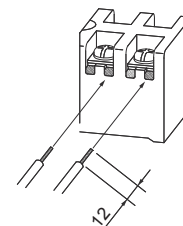


Fig. 6-4

- Die U-förmige Nut öffnet sich, wenn sie nach dem Lösen der Schraube auf den Schraubkopf drücken.

⚠ WARNUNG

- Das Anschließen von zwei Drähten auf einer Seite ist unzulässig.
- Das Anschließen von drei oder mehr Drähten an derselben Klemme ist unzulässig.
- Das Anschließen von Drähten mit unterschiedlichem Durchmesser ist unzulässig.

Bei Verwendung eines einzelnen Kabels sind runde Crimp-Klemmen oder andere Klemmenbearbeitungen unzulässig.

Fig. 6-6

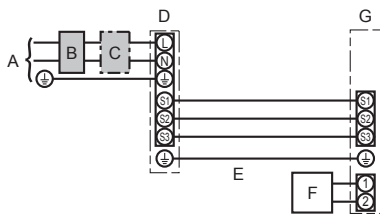
6. Elektroarbeiten

6.1.1. Die Stromversorgung der Innenanlage von der Außenanlage

Es sind folgende Anschlussmuster verfügbar.

Die Stromversorgung der Außenanlagen erfolgt je nach Modell unterschiedlich.

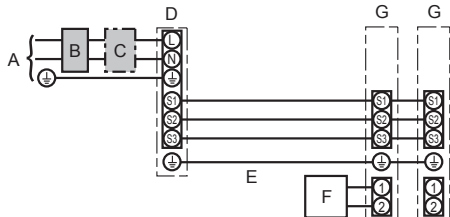
1:1-System



- A Netzanschluss der Außenanlage
- B Erdschlussunterbrecher
- C Unterbrecher oder Trennschalter
- D Außenanlage
- E Verbindungskabel Innenanlage/Außenanlage
- F Fernbedienung
- G Innenanlage

* Für die Innen- und Außenanlagen neben jedem Schaltplan einen Aufkleber A, der sich bei den Bedienungsanleitungen befindet, anbringen.

System mit gleichzeitig laufenden Doppel-Anlagen



- A Netzanschluss der Außenanlage
- B Erdschlussunterbrecher
- C Unterbrecher oder Trennschalter
- D Außenanlage
- E Verbindungskabel Innenanlage/Außenanlage
- F Fernbedienung
- G Innenanlage

* Für die Innen- und Außenanlagen neben jedem Schaltplan einen Aufkleber A, der sich bei den Bedienungsanleitungen befindet, anbringen.

Hinweis:

Einige Geräte können nicht gleichzeitig in einem Doppel-System verwendet werden. Für Einzelheiten siehe Installationshandbuch für das Außengerät.

Innenanlage Modell		PLA	
Verdrähtung Zahl der Leitungen × Stärke (mm ²)	Innenanlage-Außenanlage	*1	3 × 1,5 (polar)
	Erdungsleitung der Innen-/Außenanlage	*1	1 × Min. 1,5
	Erdungsleitung der Innenanlage		1 × Min. 1,5
	Fernbedienung-Innenanlage	*2	2 × 0,3 (Nicht polar)
Nennspannung des Stromkreises	Innenanlage (Heizung) L-N	*3	—
	Innenanlage-Außenanlage S1-S2	*3	230 V AC
	Innenanlage-Außenanlage S2-S3	*3	24 V DC
	Fernbedienung-Innenanlage	*3	12 V DC

*1. <Für 71-140 Außenanlagen>

Max. 45 m

Wenn 2,5 mm² verwendet werden, max. 50 m

Wenn 2,5 mm² verwendet werden und S3 getrennt ist, max. 80 m

*2. Max. 500 m

(Bei Verwendung von 2 Fernbedienungen beträgt die maximale Kabellänge für die Fernbedienungskabel 200 m.)

*3. Die Angaben gelten NICHT immer gegenüber der Erdleitung.

Klemme S3 hat 24 V Gleichstrom gegenüber Klemme S2. Zwischen den Klemmen S3 und S1 gibt es keine elektrische Isolierung durch den Transformator oder eine andere elektrische Vorrichtung.

Hinweise: 1. Die Größe der Elektroleitung muß den jeweiligen örtlichen und nationalen gesetzlichen Vorschriften entsprechen.

2. Als Kabel für die Stromversorgung und die Verbindung von Innen- und Außenanlage muß mindestens ein polychloropren-beschichtetes, flexibles Kabel (entsprechend 60245 IEC 57) gewählt werden.

3. Eine Erdleitung, die länger als andere Kabel ist, installieren.

4. Die Verbindungsdrähte für Innen- und Außenanlage weisen bestimmte Polaritäten auf. Achten Sie zur korrekten Verdrahtung darauf, dass die Anschlussnummern (S1, S2, S3) übereinstimmen.

5. Die Verdrahtung des Fernbedienungskabels muss (mindestens 5 cm) von der Stromversorgungsverdrahtung entfernt sein, damit keine elektrischen Störungen auftreten.

⚠ Warnung:

Spleißen Sie niemals das Netzkabel oder das Verbindungskabel zwischen Innenaggregat und Außengerät, da es andernfalls zu Rauchentwicklung, einem Brand oder einem Kommunikationsfehler kommen kann.

6. Elektroarbeiten

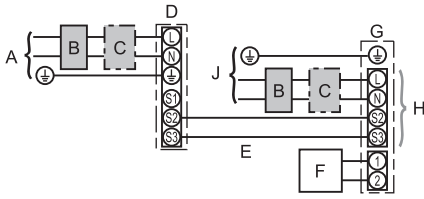
6.1.2. Die Netzanschlüsse für Innenanlage/Außenanlage voneinander trennen (Nur für Anwendungen von PUHZ)

Es sind folgende Anschlussmuster verfügbar.

Die Stromversorgung der Außenanlagen erfolgt je nach Modell unterschiedlich.

1:1 System

* Der Bausatz für die Netzanschlussklemme der Innenanlage ist erforderlich.

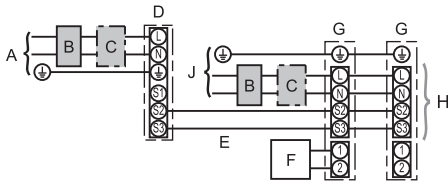


- A Netzanschluss der Außenanlage
- B Erdschlussunterbrecher
- C Unterbrecher oder Trennschalter
- D Außenanlage
- E Verbindungskabel Innenanlage/Außenanlage
- F Fernbedienung
- G Innenanlage
- H wahlweise erhältlich
- J Netzanschluss der Innenanlage

* Für die Innen- und Außenanlagen neben jedem Schaltplan einen Aufkleber B, der sich bei den Bedienungsanleitungen befindet, anbringen.

System mit gleichzeitig laufenden Doppel-Anlagen

* Die Bausätze für die Netzanschlussklemmen der Innenanlage sind erforderlich.



- A Netzanschluss der Außenanlage
- B Erdschlussunterbrecher
- C Unterbrecher oder Trennschalter
- D Außenanlage
- E Verbindungskabel Innenanlage/Außenanlage
- F Fernbedienung
- G Innenanlage
- H wahlweise erhältlich
- J Netzanschluss der Innenanlage

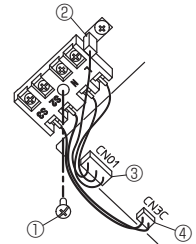
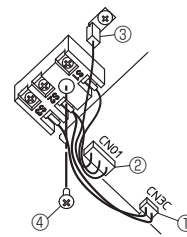
* Für die Innen- und Außenanlagen neben jedem Schaltplan einen Aufkleber B, der sich bei den Bedienungsanleitungen befindet, anbringen.

Hinweis:

Einige Geräte können nicht gleichzeitig in einem Doppel-System verwendet werden. Für Einzelheiten siehe Installationshandbuch für das Außengerät.

Wenn die Innen- und Außenanlagen getrennte Netzanschlüsse haben, nachstehende Tabelle beachten. Bei Verwendung des Bausatzes für die Netzanschlussklemme der Innenanlage ändern Sie bitte die Verdrahtung des Verteilerkastens der Innenanlage gemäß Abbildung rechts und die DIP-Schaltereinstellungen des Schaltkastens der Außenanlage.

<Ersetzen des Klemmenblocks des Innengeräts>



- ① Klemme CN3C (blau) von der Steuerplatine des Innengeräts trennen.
- ② Klemme CN01 (schwarz) von der Steuerplatine des Innengeräts trennen.
- ③ Rastanschluss trennen.
- ④ Schraube vom Klemmenblock entfernen.

Installieren Sie den optionalen Bausatz für die Netzanschlussklemmen. Für Näheres beachten Sie die Installationsanleitung, die mit dem optionalen Bausatz für Netzanschlussklemmen geliefert wurde.

- ① Den Klemmenblock mit der Schraube befestigen.
- ② Rastanschluss einführen.
- ③ Klemme CN01 (schwarz) mit der Steuerplatine des Innengeräts verbinden.
- ④ Klemme CN3C (blau) mit der Steuerplatine des Innengeräts verbinden.

* Es gibt drei Arten von Aufklebern (Aufkleber A, B und C) Je nach Verdrahtungsverfahren die jeweils richtigen Aufkleber an den Anlagen anbringen.

Innenanlage Modell		PLA
Stromversorgung der Innenanlage		~N (Eine), 50 Hz, 230 V
Eingangskapazität der Innenanlage Hauptschalter (Unterbrecher)		*1 16 A
Verdrahtung Zahl der Leitungen x Stärke (mm ²)	Stromversorgung der Innenanlage & Erdungsleitung	3 x Min. 1,5
	Innenanlage-Außenanlage	*2 2 x Min. 0,3
	Erdungsleitung der Innen-/Außenanlage	-
	Fernbedienung-Innenanlage	*3 2 x 0,3 (Nicht polar)
Nennspannung des Stromkreises	Innenanlage L-N	*4 230 V AC
	Innenanlage-Außenanlage S1-S2	*4 -
	Innenanlage-Außenanlage S2-S3	*4 24 V DC
	Fernbedienung-Innenanlage	*4 12 V DC

*1. An jedem der einzelnen Pole einen Erdschlussunterbrecher (NV) mit einem Kontaktabstand von mindestens 3,0 mm einsetzen.

Der Trennschalter muss eine Trennung aller stromführenden Phasenleiter der Versorgung gewährleisten.

*2. Max. 120 m

*3. Max. 500 m

(Bei Verwendung von 2 Fernbedienungen beträgt die maximale Kabellänge für die Fernbedienungskabel 200 m.)

*4. Die Angaben gelten NICHT immer gegenüber der Erdleitung.

Hinweise: 1. Die Größe der Elektroleitung muß den jeweiligen örtlichen und nationalen gesetzlichen Vorschriften entsprechen.

2. Als Kabel für die Stromversorgung und die Verbindung von Innen- und Außenanlage muß mindestens ein polychloropren-beschichtetes, flexibles Kabel (entsprechend 60245 IEC 57) gewählt werden.

3. Eine Erdleitung, die länger als andere Kabel ist, installieren.

4. Die Verdrahtung des Fernbedienungskabels muss (mindestens 5 cm) von der Stromversorgungsverdrahtung entfernt sein, damit keine elektrischen Störungen auftreten.

⚠ Warnung:

Spleißen Sie niemals das Netzkabel oder das Verbindungskabel zwischen Innenaggregat und Außengerät, da es andernfalls zu Rauchentwicklung, einem Brand oder einem Kommunikationsfehler kommen kann.

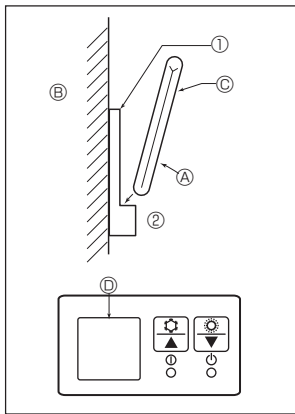


Fig. 6-7

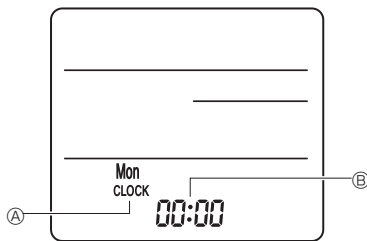


Fig. 6-8

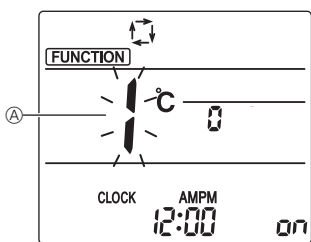
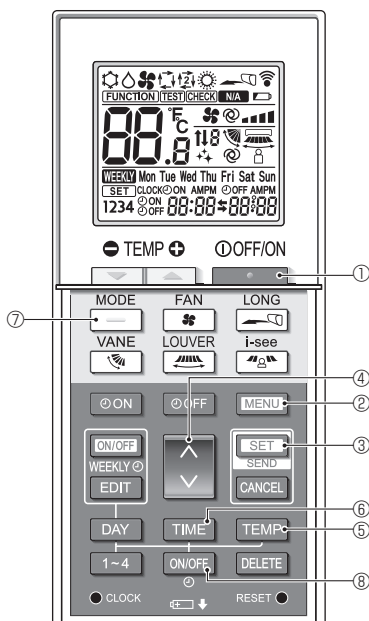


Fig. 6-9

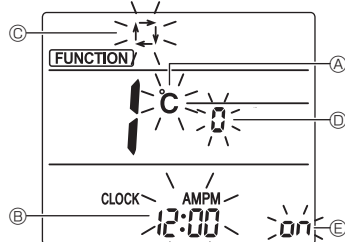


Fig. 6-10

6.2. Fernbedienung

6.2.1. Für die verdrahtete Fernbedienung

1) Einstellung für zwei Fernbedienungen

Wenn zwei Fernbedienungen angeschlossen sind, stellen Sie eine auf „Hauptgerät“ und die andere auf „Nebengerät“. Für die entsprechende Einstellung lesen Sie den Abschnitt „Funktionsauswahl“ in der Bedienungsanleitung des Innengerätes.

6.2.2. Drahtlose Fernbedienung

1) Aufstellort

- Aufstellort der Fernbedienung darf nicht direktem Sonnenlicht ausgesetzt sein.
- Aufstellort der Fernbedienung darf nicht zu nah an Heizquellen liegen.
- Aufstellort der Fernbedienung darf keinen kalten (oder heißen) Luftströmen ausgesetzt sein.
- Aufstellort der Fernbedienung muss einfache Bedienung erlauben.
- Aufstellort der Fernbedienung muss außerhalb der Reichweite von Kindern liegen.

2) Installation (Fig. 6-7)

- Die Halter der Fernbedienung mit 2 Blechschrauben am gewünschten Ort anbringen.
- Die Unterseite der Fernbedienung in den Halter einsetzen.
 - A Fernbedienung B Wand C Display D Empfänger
- Das Signal hat eine Reichweite (in gerader Linie) von etwa 7 Meter in einem Winkel von 45 Grad rechts und links der Mittellinie des Geräts.

3) Einstellung (Uhreinstellung) (Fig. 6-8)

- Batterien einlegen oder die Taste ● CLOCK mit einem spitzen Gegenstand drücken. [CLOCK] A und [:] B blinken.
- Die Taste RESET ● mit einem spitzen Gegenstand drücken.
- Die Taste ↑ ↓ zum Einstellen der Zeit drücken. Die Taste DAY zum Einstellen des Tages drücken.
- Die Taste ● CLOCK mit einem spitzen Gegenstand drücken. [CLOCK] und [:] leuchten.

4) Grundeinstellung

Die folgenden Einstellungen können im Grundeinstellmodus vorgenommen werden.

Element	Einstellung	Fig. 6-10
Temperatureinheit	°C/°F	A
Zeitanzeige	12-Stunden-Format/24-Stunden-Format	B
AUTO-Modus	Einzelner Einstellungspunkt/Doppelter Einstellungspunkt	C
Paar Nr.	0-3	D
Hintergrundbeleuchtung	Ein/Aus	E

4-1. Umschalten in den Grundeinstellungsmodus

- Drücken Sie die []-Taste ①, um die Klimaanlage anzuhalten.
- Drücken Sie die [MENU]-Taste ②. Der Funktionseinstellungsbildschirm erscheint und die Funktion Nr. A blinkt. (Fig. 6-9) Drücken Sie die []-Taste ④, um die Funktionsnummer zu ändern.
- Vergewissern Sie sich, dass Funktion Nr. "1" angezeigt wird und drücken Sie die [SET]-Taste ③. Der Anzeige-Einstellungsbildschirm erscheint. (Fig. 6-10)

4-2. Ändern der Temperatureinheit A

- Drücken Sie die [TEMP]-Taste ⑤. Mit jedem Drücken der [TEMP]-Taste ⑤ wechselt die Einstellung zwischen C und °F. C : Die Temperatur wird in Grad Celsius angezeigt. °F : Die Temperatur wird in Grad Fahrenheit angezeigt.

4-3. Ändern der Zeitanzeige B

- Drücken Sie die [TIME]-Taste ⑥. Mit jedem Drücken der [TIME]-Taste 6 wechselt die Einstellung zwischen 12:00 und 24:00. 12:00 : Die Zeit wird im 12-Stunden-Format angezeigt. 24:00 : Die Zeit wird im 24-Stunden-Format angezeigt.

4-4. Ändern des AUTO-Modus C

- Drücken Sie die []-Taste ⑦. Mit jedem Drücken der []-Taste ⑦ wechselt die Einstellung zwischen t und t. t : Der AUTO-Modus arbeitet im gewöhnlichen Automatikbetrieb. t : Der AUTO-Modus arbeitet mit zwei Einstellungspunkten.

4-5. Ändern von Paar Nr. D

- Drücken Sie die []-Taste ④. Mit jedem Drücken der []-Taste ④ wechselt die Paarnummer 0-3.

Paarnummer der drahtlosen Fernbedienung	Innengerät-PC-Platine
0	Grundeinstellung
1	J41 trennen
2	J42 trennen
3	J41, J42 trennen

4-6. Ändern der Hintergrundbeleuchtungseinstellung E

- Drücken Sie die [ON/OFF]-Taste ⑧. Mit jedem Drücken der [ON/OFF]-Taste ⑧ wechselt die Einstellung zwischen on und o FF. on : Die Hintergrundbeleuchtung wird beim Drücken einer Taste aktiviert. o FF : Die Hintergrundbeleuchtung wird beim Drücken einer Taste nicht aktiviert.

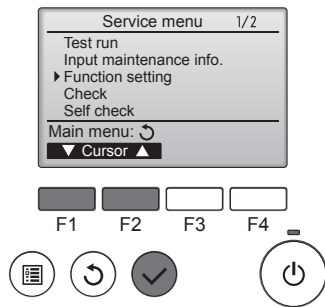


Fig. 6-11

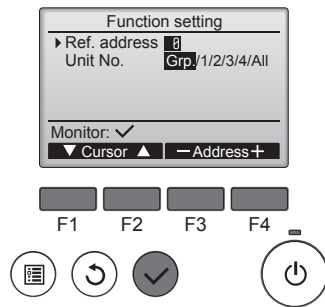


Fig. 6-12

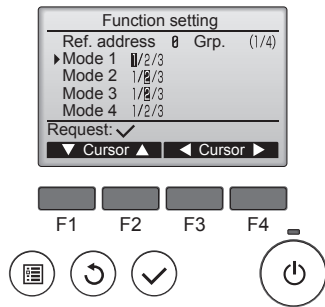


Fig. 6-13

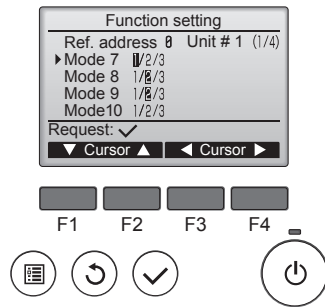


Fig. 6-14

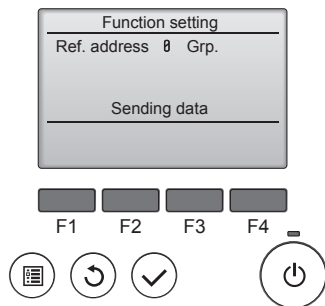


Fig. 6-15

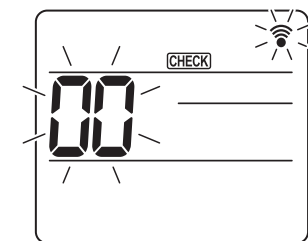


Fig. 6-16

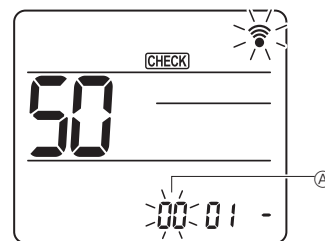


Fig. 6-17

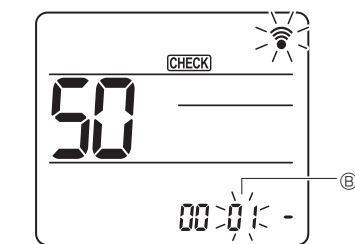


Fig. 6-18

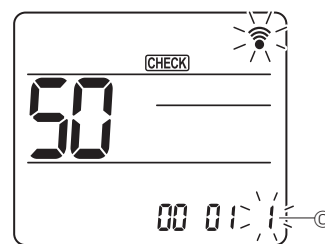


Fig. 6-19

6.3. Funktionseinstellungen

6.3.1. Mit der verdrahteten Fernbedienung

- ① (Fig. 6-11)
 - Wählen Sie „Service“ im Hauptmenü und drücken Sie die [AUSWAHL]-Taste.
 - Wählen Sie mit der Taste [F1] oder [F2] „Function settings“ (Funktionen einstellen) und drücken Sie die [AUSWAHL]-Taste.

- ② (Fig. 6-12)
 - Stellen Sie die Innengerät-Kältemitteladressen und Gerätenummern mit den Tasten [F1] bis [F4] ein und drücken Sie dann die [AUSWAHL]-Taste, um die aktuelle Einstellung zu bestätigen.

<Prüfen der Innengeräte-Nr.>
 Wenn die [AUSWAHL]-Taste gedrückt wird, beginnt das betreffende Innengerät mit dem Gebläsebetrieb. Wenn es sich um ein gemeinsames Gerät handelt, oder wenn die Geräte gemeinsam betrieben werden, beginnen alle Geräte mit der ausgewählten Kältemitteladresse mit dem Gebläsebetrieb.

- ③ (Fig. 6-13)
 - Wenn der Datenabruf von den Innengeräten abgeschlossen ist, werden die aktuellen Einstellungen in der Anzeige hervorgehoben. Nicht hervorgehobene Einträge zeigen an, dass keine Funktionseinstellungen erfolgt sind. Das Bildschirmlayout variiert je nach der Einstellung „Geräte-Nr.“.

- ④ (Fig. 6-14)
 - Bewegen Sie die Marke mit Hilfe der [F1]- oder [F2]-Taste zur gewünschten Betriebsartnummer und ändern Sie die Einstellungsnummer mit Hilfe der [F3]- oder [F4]-Taste.

- ⑤ (Fig. 6-15)
 - Wenn Sie alle Einstellungen vorgenommen haben, drücken Sie die [AUSWAHL]-Taste, um die Einstellungen von der Fernbedienung zu den Innengeräten zu übertragen.
 - Nach dem erfolgreichen Abschluss der Übertragung kehrt die Anzeige zum Bildschirm „Funktionseinstellungen“ zurück.

6.3.2. Mit der drahtlosen Fernbedienung

- ① Funktionsauswahlmodus aufrufen
 - Drücken Sie Taste **[MENU]** 5 Sekunden lang. (Nehmen Sie diesen Schritt vor, wenn das Fernbedienungsdisplay gestoppt ist.) [CHECK] leuchtet und „00“ blinkt. (Fig. 6-16)
 - Drücken Sie die Taste **[↓]**, um „50“ einzustellen. Zeigen Sie mit der drahtlosen Fernbedienung auf den Empfänger des Innengeräts und drücken Sie die Taste **[SET]**.
- ② Einstellen der Gerätenummer
 - Drücken Sie zum Einstellen der Gerätenummer **Ⓐ** die Taste **[↓]**. (Fig. 6-17)
 - Zeigen Sie mit der drahtlosen Fernbedienung auf den Empfänger des Innengeräts und drücken Sie die Taste **[SET]**.
- ③ Auswählen eines Modus
 - Drücken Sie zum Einstellen der Modusnummer **Ⓑ** die Taste **[↓]**. (Fig. 6-18)
 - Zeigen Sie mit der drahtlosen Fernbedienung auf den Empfänger des Innengeräts und drücken Sie die Taste **[SET]**.
 - Aktuelle Einstellungsnummer:
 - 1=1 Piepston (1 Sekunde)
 - 2=2 Piepstöne (je 1 Sekunde)
 - 3=3 Piepstöne (je 1 Sekunde)
- ④ Auswählen der Einstellungsnummer
 - Ändern Sie mit der Taste **[←]** die Einstellungsnummer **Ⓒ**. (Fig. 6-19)
 - Zeigen Sie mit der drahtlosen Fernbedienung auf den Empfänger des Innengeräts und drücken Sie die Taste **[SET]**.
- ⑤ Auswählen mehrerer Funktionen nacheinander
 - Wiederholen Sie die Auswahl von **③** und **④**, um mehrere Funktionen nacheinander zu ändern.
- ⑥ Abschluss der Funktionsauswahl
 - Zeigen Sie mit der drahtlosen Fernbedienung auf den Sensor des Innengeräts und drücken Sie die Taste **[OFF/ON]**.

Hinweis:

Nehmen Sie die obigen Einstellungen nach Bedarf an Geräten vom Typ Mr. Slim vor.

- Tabelle 1 enthält eine Zusammenfassung der Einstellungsoptionen für jede Betriebsartnummer.
- Stellen Sie bei geänderten Grundeinstellungen nach Abschluss der Installationsarbeiten sicher, dass die Einstellungen für alle Funktionen schriftlich festgehalten werden.

6. Elektroarbeiten

Funktionstabelle (Tabelle 1)

Anlage Nr. 00 wählen

Betriebsart	Einstellungen	Betriebsart Nr.	Einstellung Nr.	Grundeinstellung	Einstellungg
Automatische Wiederherstellung nach Netzstromausfall	Nicht verfügbar	01	1		
	Verfügbar *1		2	O *2	
Erkennung der Innentemperatur	Betriebsdurchschnitt der Innenanlage	02	1	O	
	Einstellung durch Fernbedienung der Innenanlage		2		
	Interner Sensor der Fernbedienung		3		
LOSSNAY-Verbindung	Nicht unterstützt	03	1	O	
	Unterstützt (Innenanlage nicht mit Außen-Lufteinlaß ausgestattet)		2		
	Unterstützt (Innenanlage mit Außen-Lufteinlaß ausgestattet)		3		
Netzstrom	240 V	04	1		
	220 V, 230 V		2	O	

Anlagennummern 01 bis 03 oder alle Anlagen wählen (AL [verdrahtete Fernbedienung] / 07 [drahtlose Fernbedienung])

Betriebsart	Einstellungen	Betriebsart Nr.	Einstellung Nr.	Grundeinstellung	Einstellungg
Filterzeichen	100 Std.	07	1		
	2500 Std.		2	O	
	Keine Filterzeitanzeige		3		
Gebläsegeschwindigkeit	Leise (niedrige Decke)	08	1		
	Standard		2	O	
	Hohe Decke		3		
Anzahl der Luftauslässe	4 Richtungen	09	1	O	
	3 Richtungen		2		
	2 Richtungen		3		
Installierte Optionen (Hocheffizienzfilter)	Nicht unterstützt	10	1	O	
	Unterstützt		2		
Auf/ab Flügelzellen-Einstellung	Einstellung nach unten (Einstellung des Flügelzellenwinkels ③)	11	1		
	Mittlere Einstellung (Einstellung des Flügelzellenwinkels ①)		2		
	Einstellung ohne Luftzug (Einstellung des Flügelzellenwinkels ②)		3	O	
Ventilatorzahl bei ausgeschaltetem Kühlthermostat (OFF)	Einstellung Ventilatorzahl	27	1		
	Stopp		2		
	Extra niedrig		3	O	

*1 Wenn der Netzstrom wieder anliegt, läuft die Klimaanlage nach 3 Minuten wieder an.

*2 Die Grundeinstellung von Automatische Wiederherstellung nach Netzstromausfall hängt von der angeschlossenen Außenanlage ab.

7. Testlauf

7.1. Vor dem Testlauf

- ▶ Nach Installation, Verdrahtung und Verlegung der Rohrleitungen der Innen- und Außenanlagen überprüfen und sicherstellen, daß kein Kältemittel ausläuft, Netzstromversorgung und Steuerleitungen nicht locker sind, Polarität nicht falsch angeordnet und keine einzelne Netzanschlußphase getrennt ist.
- ▶ Mit einem 500-Volt-Megohmmeter überprüfen und sicherstellen, daß der Widerstand zwischen Stromversorgungsklemmen und Erdung mindestens 1,0 MΩ beträgt.

- ▶ Diesen Test nicht an den Klemmen der Steuerleitungen (Niederspannungsstromkreis) vornehmen.
- ⚠ **Warnung:**
Die Klimaanlage nicht in Betrieb nehmen, wenn der Isolationswiderstand weniger als 1,0 MΩ beträgt.

7.2. Testlauf

7.2.1. Verwendung der verdrahteten Fernbedienung

- Denken Sie daran, vor dem Testlauf die Bedienungsanleitung zu lesen. (Insbesondere die Hinweise zur Sicherheit)

Schritt 1 Schalten Sie das System ein.

- Fernbedienung: Das System schaltet in den Startup-Modus, und die Betriebsleuchte der Fernbedienung (grün) sowie die Anzeige „PLEASE WAIT“ (BITTE WARTEN) blinken. Während Anzeige und Meldung blinken, lässt sich die Fernbedienung nicht betätigen. Warten Sie, bis „PLEASE WAIT“ (BITTE WARTEN) verschwunden ist, bevor Sie die Fernbedienung betätigen. Nach dem Einschalten wird „PLEASE WAIT“ (BITTE WARTEN) etwa 2 Minuten lang angezeigt.
- Steuerplatine des Innengeräts: LED 1 leuchtet, LED 2 leuchtet (falls die Adresse 0 ist) oder nicht (falls die Adresse nicht 0 ist), und LED 3 blinkt.
- Steuerplatine des Außengeräts: LED 1 (grün) und LED 2 (rot) leuchten. (Nachdem der Startup-Modus des Systems beendet ist, erlischt LED 2.) Wenn die Steuerplatine des Außengeräts eine Digitalanzeige verwendet, werden sekundlich abwechselnd [-] und [-] angezeigt.
Wenn die Funktionen nicht korrekt arbeiten, nachdem die Bedienung in Schritt 2 und den folgenden ausgeführt wurde, sollten die nachstehenden Gründe geprüft und falls zutreffend beseitigt werden.
(Die nachstehenden Symptome treten während des Testlaufs auf. „Startup“ (Starten) in der Tabelle bedeutet die oben beschriebene LED-Anzeige.)

Symptome im Testlauf		Grund
Anzeige der Fernbedienung	LED-Anzeige der Außengerätplatine < > bedeutet: Digitalanzeige.	
Auf der Fernbedienung wird „PLEASE WAIT“ (BITTE WARTEN) angezeigt und sie lässt sich nicht bedienen.	Nachdem „startup“ (Starten) angezeigt wird, leuchtet nur die grüne Anzeige. <00>	• Nach dem Einschalten wird während des Systemstarts 2 Minuten lang „PLEASE WAIT“ (BITTE WARTEN) angezeigt. (Normal)
Nach dem Einschalten wird „PLEASE WAIT“ (BITTE WARTEN) 3 Minuten lang angezeigt, daraufhin erscheint ein Fehlercode.	Nachdem „startup“ (Starten) angezeigt wird, blinken abwechselnd (einmal) die grüne und (einmal) die rote Anzeige. <F1>	• Fehlerhafter Anschluss am Klemmenblock des Außengeräts (R, S, T und S ₁ , S ₂ , S ₃ .)
	Nachdem „startup“ (Starten) angezeigt wird, blinken abwechselnd (einmal) die grüne und (zweimal) die rote Anzeige. <F3, F5, F9>	• Der Steckverbinder für das Schutzgerät des Außengeräts ist nicht angeschlossen.
Auf dem Display erscheinen keine Meldungen, auch wenn das Gerät per Fernbedienung eingeschaltet wird. (Betriebsanzeige leuchtet nicht.)	Nachdem „startup“ (Starten) angezeigt wird, blinken abwechselnd (zweimal) die grüne und (einmal) die rote Anzeige. <EA, Eb>	• Falsche Verdrahtung zwischen Innen- und Außengerät (falsche Polung von S ₁ , S ₂ , S ₃ .) • Kurzschluss des Fernbedienungskabels.
	Nachdem „startup“ (Starten) angezeigt wird, leuchtet nur die grüne Anzeige. <00>	• Es gibt kein Außengerät mit der Adresse 0. (die Adresse ist eine andere als 0.) • Fernbedienungskabel nicht angeschlossen.
Die Anzeige erscheint, verschwindet jedoch wieder, auch dann wenn die Fernbedienung betätigt wird.	Nachdem „startup“ (Starten) angezeigt wird, leuchtet nur die grüne Anzeige. <00>	• Nach Abbruch der Funktionsauswahl ist etwa 30 Sekunden lang kein Bedienvorgang möglich. (Normal)

Schritt 2 Schalten Sie die Fernbedienung auf „Test run“ (Testlauf).

- ① Wählen Sie „Test run“ (Testlauf) aus dem Service-Menü, und drücken Sie die [AUSWAHL]-Taste. (Fig. 7-1)
- ② Wählen Sie „Test run“ (Testlauf) aus dem Testlauf-Menü, und drücken Sie die [AUSWAHL]-Taste. (Fig. 7-2)
- ③ Der Testlauf beginnt, und der Testlaufbildschirm wird angezeigt.

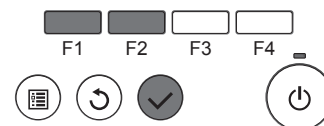
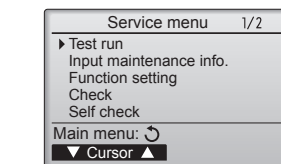


Fig. 7-1

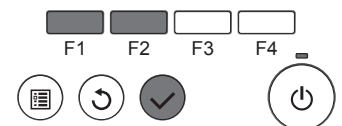
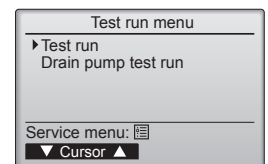


Fig. 7-2

Schritt 3 Führen Sie den Testlauf durch, und prüfen Sie die Luftstromtemperatur und die Auto-Vane-Funktion.

- ① Drücken Sie die Taste [F1], um den Betriebsmodus umzuschalten. (Fig. 7-3)
Kühlmodus: Prüfen Sie, ob gekühlte Luft aus dem Gerät strömt.
Heizmodus: Prüfen Sie, ob geheizte Luft aus dem Gerät strömt.
- ② Drücken Sie die [AUSWAHL]-Taste, um den Vane-Bedienscreen aufzurufen, und prüfen Sie dann mit Tasten [F1] und [F2] die automatische Flügelbewegung. (Fig. 7-4)
Drücken Sie die Taste [ZURÜCK] für die Rückkehr zum Testlaufbildschirm.

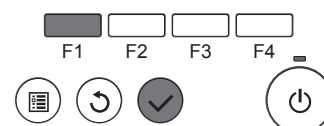
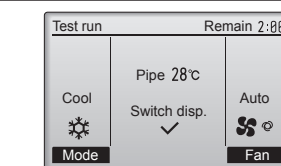


Fig. 7-3

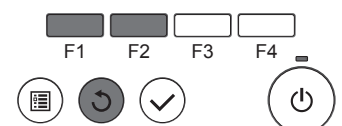
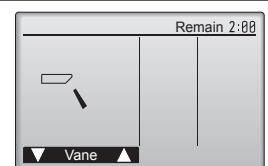


Fig. 7-4

7. Testlauf

Schritt 4 Prüfen Sie die Funktion des Außengerätlüfters.

Die Geschwindigkeit des Außengerätlüfters wird geregelt, um die Geräteleistung zu steuern. Je nach Umgebungsluft dreht sich der Lüfter so lange mit langsamer Geschwindigkeit, bis die Leistung nicht mehr ausreichend ist. Daher kann es dazu kommen, dass Winde den Außengerätlüfter stoppen oder in Gegenrichtung antreiben. Dies stellt jedoch kein Problem dar.

Schritt 5 Stoppen Sie den Testlauf.

① Drücken Sie die [EIN/AUS]-Taste, um den Testlauf zu stoppen. (Das Testlaufmenü erscheint.)

Hinweis: Wenn auf der Fernbedienung ein Fehler angezeigt wird, beachten Sie die folgende Tabelle.

LCD	Beschreibung der Fehlfunktion	LCD	Beschreibung der Fehlfunktion	LCD	Beschreibung der Fehlfunktion
P1	Lufteinlassensorfehler	P9	Fehler Rohrsystemsensoren (Doppelwandungsrohr)	E0 – E5	Kommunikationsfehler zwischen Fernbedienung und Innengerät
P2	Fehler Rohrsystemsensoren (Kühlmittelrohr)	PA	Kühlmittelleck (Kühlmittelsystem)		
P4	Drainage-Schwimmerschalterstecker getrennt (CN4F)	Pb	Fehler Innengerät-Ventilatormotor		
P5	Betrieb bei Drainageüberlaufschutz	PL	Kältemittelkreislauf anormal	E6 – EF	Kommunikationsfehler zwischen Innengerät und Außengerät
P6	Betrieb bei Vereisungs-/Überhitzungsschutz	FB	Fehler Steuerplatine des Innengeräts		
P8	Fehler Rohrtemperatur	U*, F* (* zeigt ein alphanumerisches Zeichen mit Ausnahme von FB an.)	Fehler Außengerät. Beachten Sie das Anschlussdiagramm des Außengeräts.		

Näheres zur LED-Anzeige (LED 1, 2 und 3) auf der Steuerplatine des Innengeräts siehe folgende Tabelle.

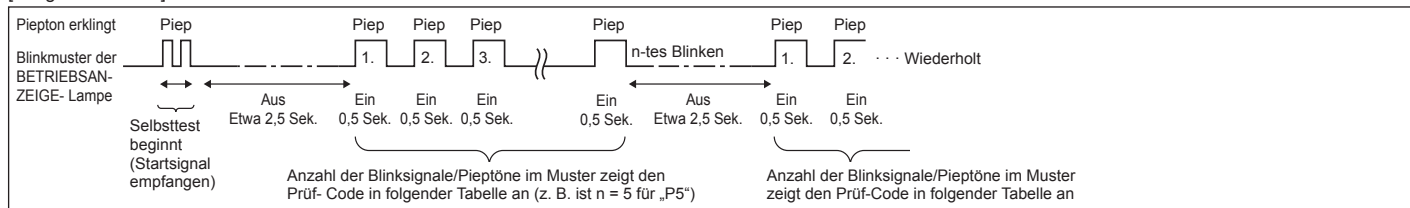
LED 1 (Stromversorgung des Microcomputers)	Zeigt an, ob die Stromversorgung erfolgt. Sorgen Sie dafür, dass diese LED immer leuchtet.
LED 2 (Stromversorgung der Fernbedienung)	Zeigt an, ob die Stromversorgung der verdrahteten Fernbedienung erfolgt. Die LED leuchtet nur bei dem Innengerät, das mit demjenigen Außengerät verbunden ist, welches die Adresse 0 besitzt.
LED 3 (Kommunikation zwischen Innen-/Außengerät)	Zeigt an, ob Innen- und Außengeräte miteinander kommunizieren. Sorgen Sie dafür, dass diese LED immer blinkt.

7.3. Selbsttest

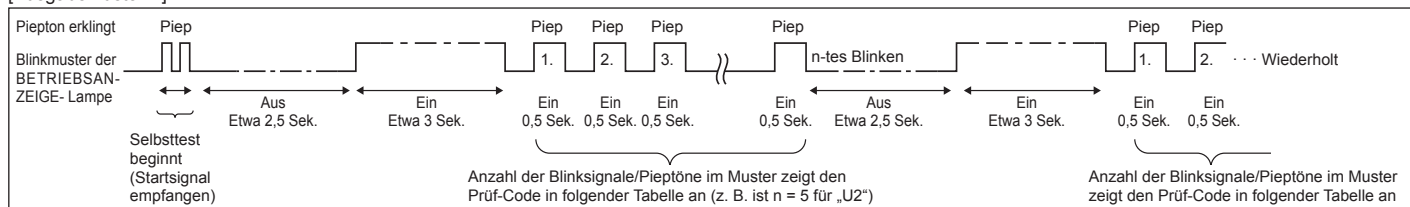
■ Für Näheres beachten Sie die Installationsanleitung, die mit der jeweiligen Fernbedienung geliefert wurde.

• Beachten Sie die folgenden Tabellen für Näheres zu den Prüf-Codes. (Drahtlose Fernbedienung)

[Ausgabemuster A]



[Ausgabemuster B]



7. Testlauf

[Ausgabemuster A] Fehler erkannt am Innengerät

Drahtlose Fernbedienung Piepton erklingt/BETRIEBSAN- ZEIGE- Lampe blinkt (Anzahl von Malen)	Verdrahtete Fernbedienung Prüf-Code	Symptom	Bemerkung
1	P1	Fehler Lufteinlassensor	
2	P2	Fehler Rohrsystemsensoren (TH2)	
	P9	Fehler Rohrsystemsensoren (TH5)	
3	E6, E7	Kommunikationsfehler zwischen Innen-/Außengerät	
4	P4	Fehler Drainagepumpe / Schwimmerschalterstecker getrennt	
5	P5	Fehler Drainagepumpe	
	PA	Fehler durch überlasteten Kompressor	
6	P6	Betrieb bei Vereisungs-/Überhitzungsschutz	
7	EE	Kommunikationsfehler zwischen Innen- und Außengeräten	
8	P8	Fehler Rohrtemperatur	
9	E4	Fehler bei Empfang des Fernbedienungssignals	
10	—	—	
11	Pb	Fehler Innengerät-Ventilatormotor	
12	Fb	Fehler im Steuersystem des Innengeräts (Fehler im Speicher usw.)	
14	PL	Kältemittelkreislauf anormal	
Kein Geräusch	E0, E3	Fehler in der Fernbedienungsübertragung	
Kein Geräusch	E1, E2	Fehler in der Schalttafel der Fernbedienung	
Kein Geräusch	— — — —	Keine Entsprechung	

[Ausgabemuster B] Fehler erkannt an anderen Geräten als dem Innengerät (Außengerät usw.)

Drahtlose Fernbedienung Piepton erklingt/BETRIEBSAN- ZEIGE- Lampe blinkt (Anzahl von Malen)	Verdrahtete Fernbedienung Prüf-Code	Symptom	Bemerkung
1	E9	Kommunikationsfehler zwischen Innen-/Außengerät (Übertragungsfehler) (Außengerät)	Näheres erfahren Sie durch das LED-Display der Steuerplatine des Außengerätes.
2	UP	Kompressorunterbrechung wg. Überlaststrom	
3	U3, U4	Offener/Kurzgeschlossener Kontakt der Thermistoren des Außengeräts	
4	UF	Kompressorunterbrechung wg. Überlaststrom (bei verriegeltem Kompressor)	
5	U2	Anormal hohe Entladetemperatur/49C-Betrieb/nicht genügend Kühlmittel	
6	U1, Ud	Anormal hoher Druck (63H-Betrieb)/Betrieb bei Überhitzungsschutz	
7	U5	Anormale Temperatur des Kühlkörpers	
8	U8	Sicherheitsstop des Lüfters des Außengerätes	
9	U6	Kompressorunterbrechung wg. Überlaststrom/Abnormalität im Stromversorgungsmodul	
10	U7	Abnormalität der Überhitzung aufgrund geringer Entladetemperatur	
11	U9, UH	Abnormalität einer Überspannung oder Kurzschluß und anormales Synchronsignal zum Hauptkreis/Fehler Stromsensor	
12	—	—	
13	—	—	
14	Sonstige	Andere Fehler (bitte lesen Sie in der Technischen Anleitung für das Außengerät nach.)	

*1 Wenn der Piepton (nach den ersten beiden Pieptönen zur Bestätigung des Empfangs des Startsignals für den Selbsttest) nicht nochmals erklingt, und wenn die BETRIEB-SANZEIGELampe nicht aufleuchtet, gibt es keine Fehleraufzeichnungen.

*2 Wenn der Piepton (nach den ersten beiden Pieptönen zur Bestätigung des Empfangs des Startsignals für den Selbsttest) dreimal nacheinander „Piep, Piep, Piep“ (0,4 + 0,4 + 0,4 Sek.) ertönt, ist die angegebene Kühlmitteladresse falsch.

- Bei der drahtlosen Fernbedienung
Dauersignalton von der Empfangseinheit der Inneneinheit.
Blinken der Betriebsanzeige
- Bei der verdrahteten Fernbedienung
Überprüfen Sie den auf dem LCD angezeigten Code.

7. Testlauf

• Wenn das Gerät nach dem obigen Probelauf nicht richtig betrieben werden kann, siehe folgende Tabelle zum Beheben der Ursache.

Symptom		LED 1, 2 (Leiterplatte in Außenaggregat)	Ursache
Verdrahtete Fernbedienung			
PLEASE WAIT	Für etwa 2 Minuten nach dem Einschalten.	Nach dem Aufleuchten von LED 1, 2 wird LED 2 ausgeschaltet und nur LED 1 leuchtet. (Korrektter Betrieb)	• Für etwa 2 Minuten nach dem Einschalten ist der Betrieb der Fernbedienung aufgrund des Anlagenstarts nicht möglich. (Korrektter Betrieb)
PLEASE WAIT → Fehlercode	Wenn etwa 2 Minuten nach dem Einschalten vergangen sind.	Nur LED 1 leuchtet. → LED 1 und 2 blinken.	• Der Steckverbinder für das Schutzgerät des Außenaggregats ist nicht angeschlossen. Phasenverkehrt oder offene Phasenverdrahtung für Betriebsstrom- Klemmenblock (L1, L2, L3)
Auf dem Display erscheinen keine Meldungen, auch wenn das Gerät eingeschaltet ist (Betriebsanzeige leuchtet nicht).		Nur LED 1 leuchtet. → LED 1 blinkt zweimal, LED 2 blinkt einmal.	• Falsche Verdrahtung zwischen Innen- und Außenaggregat (falsche Polung von S1, S2, S3) • Kurzschluß des Fernbedienungskabels

Bei der drahtlosen Fernbedienung im obigen Betriebszustand treten folgende Erscheinungen auf.

- Keine Signale von der Fernbedienung werden akzeptiert.
- BETRIEBSANZEIGE-Lämpchen blinkt.
- Der Signaltongebner gibt einen kurzen Piepton aus.

Hinweis:

Für etwa 30 Sekunden nach Beenden der Funktionswahl ist der Betrieb nicht möglich. (Korrektter Betrieb)

Für eine Beschreibung der einzelnen LEDs (LED 1, 2, 3) an der Innengerätsteuerung siehe Seite 34.

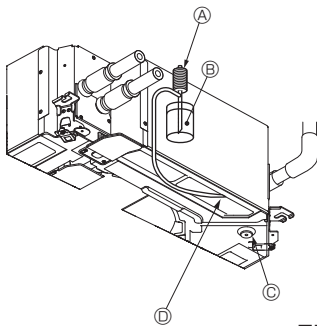


Fig. 7-5

- Ⓐ Wasserversorgungspumpe
- Ⓑ Wasser (ca. 1000 cc)
- Ⓒ Auslaufstopfen
- Ⓓ Wasser durch Auslauf gießen.
 - Vorsicht: Wasser darf nicht in den Ablaufpumpmechanismus spritzen.

7.4. Kontrolle der Entleerung (Fig. 7-5)

- Sicherstellen, dass das Wasser ordnungsgemäß abgefließen ist und dass kein Wasser aus den Fugen läuft.

Nach Abschluss der Elektroarbeiten:

- Während des Kühlbetriebs im Testlauf (siehe 7.2.) Wasser fließen lassen und kontrollieren.

Wenn die Elektroarbeiten noch nicht abgeschlossen sind:

- Wasser im Notbetrieb fließen lassen und kontrollieren.
- * Ablaufwanne und Ventilator werden gleichzeitig aktiviert, wenn der Schalter (SWE) auf der Steuerungsplatine im Elektrokasten auf ON gestellt und dadurch 220-240 V einphasig an S1 und S2 am Anschlussklemmenblock angelegt werden.

Sie muss nach der Arbeit unbedingt wieder in ihren alten Zustand gebracht werden.

8. Kontrolle des Systems

Siehe Aussenanlagen-Installationsanleitung.

9. Anbringung des Gitters

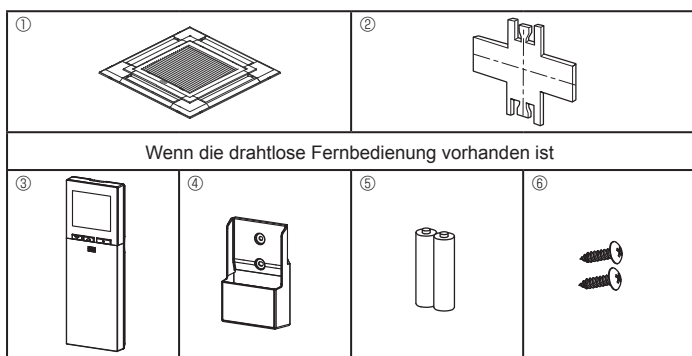


Fig. 9-1

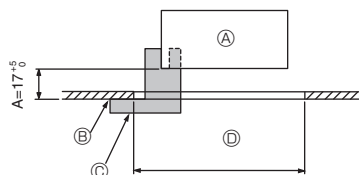


Fig. 9-2

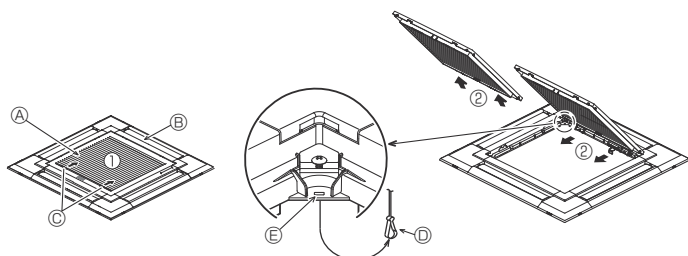


Fig. 9-3

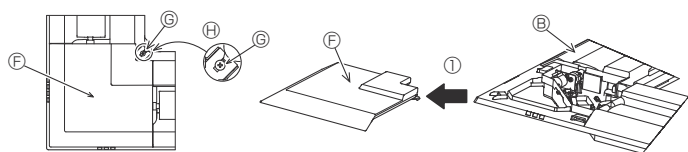


Fig. 9-4

	4 Richtungen	3 Richtungen
Schemata für die Ausblasrichtung	1 Schema: Werkseinstellung 	4 Schema: Ein Luftausgang vollständig geschlossen
Schemata für die Ausblasrichtung	2 Richtungen 6 Schema: Zwei Luftausgänge vollständig geschlossen 	

Tabelle 1

<Haken in angehobener Position>

<Haken in abgesenkter Position>

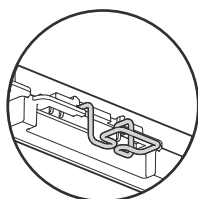
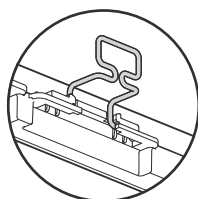


Fig. 9-5

9.1. Überprüfung des Inhalts (Fig. 9-1)

- Dieser Bausatz enthält diese Anleitung und folgende Teile.

	Bezeichnung des Zubehörteils	Anzahl	Bemerkung
①	Gitter	1	950 × 950 (mm)
②	Installationsmessgerät	1	(In 4 Teile unterteilt)
③	Drahtlose Fernbedienung	1	für PLP-6EALM
④	Fernbedienungshalter	1	Im Lieferumfang enthalten, wenn die drahtlose Fernbedienung vorhanden ist.
⑤	LR6-AA-Batterien	2	Im Lieferumfang enthalten, wenn die drahtlose Fernbedienung vorhanden ist.
⑥	3,5 × 16 Gewindeschneidschrauben	2	Im Lieferumfang enthalten, wenn die drahtlose Fernbedienung vorhanden ist.

9.2. Vorbereitung zum Anbringen des Gitters (Fig. 9-2)

- Mit der mit diesem Bausatz gelieferten Lehre ② die Position des Hauptgeräts im Verhältnis zur Deckenoberfläche überprüfen. Wenn das Hauptgerät im Verhältnis zur Deckenoberfläche nicht richtig positioniert wird, kann Luft austreten, oder es kann sich Kondensationsflüssigkeit ansammeln.
- Vergewissern, daß die Öffnung in der Zimmerdecke innerhalb folgender Toleranzen liegt: 860 × 860 - 910 × 910
- Darauf achten, daß Schritt A innerhalb von 17-22 mm ausgeführt wird. Nichtbeachtung dieses Bereichs kann Schäden nach sich ziehen.

- Ⓐ Hauptanlage
- Ⓑ Oberfläche der Decke
- Ⓒ Installationsmessgerät ② (in das Hauptgerät eingeführt)
- Ⓓ Maße der Deckenöffnung

9.2.1. Das Ansauggitter abnehmen (Fig. 9-3)

- Zum Öffnen des Ansauggitters die Hebel in die Richtung, die durch Pfeil ① gekennzeichnet ist, schieben.
- Den Haken, der das Gitter sichert, ausklinken.
* Den Haken für das Ansauggitter nicht ausklinken.
- Das Scharnier des Ansauggitters bei geöffnetem Ansauggitter (Position „offen“) vom Gitter wie durch Pfeil ② gekennzeichnet, abnehmen.

9.2.2. Die Eckplatte abnehmen (Fig. 9-4)

- Die 4 Schrauben an der Ecke lösen. Die Eckplatte in Pfeilrichtung ① in der Abbildung schieben und die Eckblende abnehmen.

[Fig.9-3] [Fig.9-4]

- Ⓐ Ansauggitter
- Ⓑ Gitter ①
- Ⓒ Hebel des Ansauggitters
- Ⓓ Gitterhaken
- Ⓔ Öffnung für den Gitterhaken
- Ⓕ Eckplatte
- Ⓖ Schraube
- Ⓗ Detail

9.3. Wahl der Luftausgänge

Bei diesem Gitter gibt es 11 Anordnungen für die Ausblasrichtung. Sie Können die entsprechenden Einstellungen der Luftstrom und- geschwindigkeit über die Fernbedienung vornehmen. Wählen Sie entsprechend der Örtlichkeit, an der Sie die Anlage anbringen möchten, die erforderlichen Einstellungen aus der Tabelle 1. (Es müssen mehr als zwei Richtungen ausgewählt werden.)

- Festlegung der Anordnung der Ausblasrichtung.
- Die Fernbedienung muss gemäß der Anzahl der Luftauslässe und der Höhe der Decke, an der das Hauptgerät installiert wird, eingestellt werden. (Siehe Seite 32.)

Hinweis:

- Wenn Sie die Anzahl der Richtungen ändern, benötigen Sie die optionale Luftauslassverschlussplatte.
- Wählen Sie in einer heißen und feuchten Umgebung keine 2 Richtungen. (Es kann zu Tau- oder Tropfenbildung kommen.)

9.4. Anbringung des Gitters

9.4.1. Vorbereitungen (Fig. 9-5)

Klappen Sie die 2 Haken am Gitter hoch.

9. Anbringung des Gitters

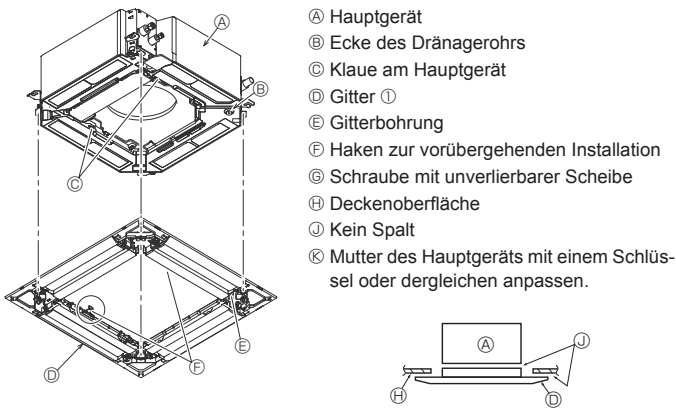


Fig. 9-6

< Vorübergehend angebrachtes Gitter >

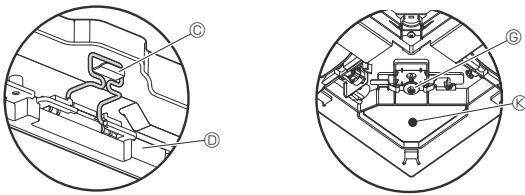


Fig. 9-7

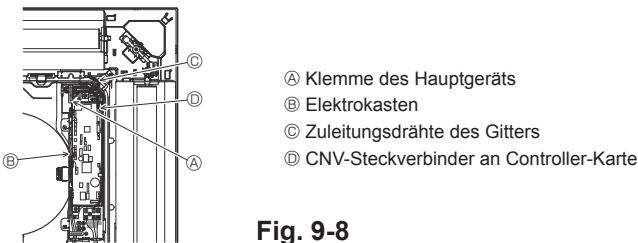


Fig. 9-8

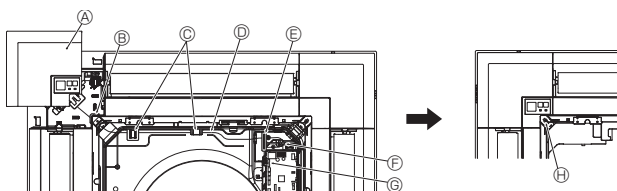


Fig. 9-9

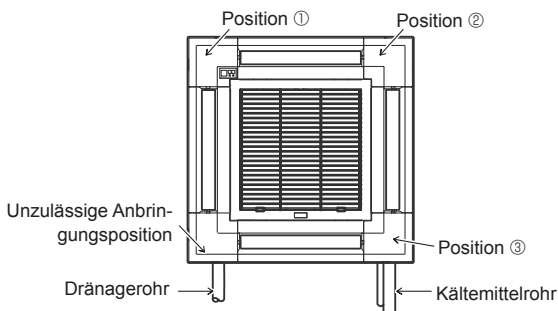


Fig. 9-10

9.4.2. Vorübergehende Installation des Gitters (Fig. 9-6)

- Die Ecke des Dränagerohrs am Hauptgerät zur Ecke mit Bohrung am Gitter führen und beide vorübergehend verbinden, indem Sie den Haken des Gitters in der Klaue am Hauptgerät einhängen.

9.4.3. Fixieren des Gitters

- Das Gitter durch Anziehen der vorinstallierten Schrauben am Hauptgerät fixieren. (Fig. 9-6)

Hinweis:

- Darauf achten, dass sich zwischen dem Hauptgerät und dem Gitter oder zwischen dem Gitter und der Deckenoberfläche kein Spalt befindet. (Fig. 9-6)

Wenn ein Spalt zwischen Gitter und Decke vorliegt:

- Bei angebrachtem Gitter die Installationshöhe des Hauptgeräts geringfügig justieren und den Spalt so beseitigen.

⚠ Vorsicht:

- Beim Festziehen der Schraube muss das Anzugsmoment 2,8 N·m bis 3,6 N·m betragen. Niemals einen Schlagschrauber verwenden.
- Nach dem Festziehen der Schraube prüfen, dass die beiden Gitterhaken (Fig. 9-6) in den Haken am Hauptgerät eingerastet sind.

9.4.4. Elektroanschlüsse (Fig. 9-8)

- Die 2 Befestigungsschrauben des Deckels des Elektrokastens am Hauptgerät lösen und den Deckel zum Öffnen verschieben.
- Den Zuleitungsdraht von der Seite des Elektrokastens aus verlegen.
- Den Stecker (weiß, 20-polig) für den Flügelmotor des Gitters unbedingt mit dem CNV-Steckverbinder (weiß) der Controller-Karte des Hauptgeräts verbinden.
- Zuleitungsdrähte, die vom Gitter weg verlaufen, müssen ohne Durchhängen mit einer Kabelklemme zusammengehalten und in den Elektrokasten geführt werden.

9.4.5. Anbringung des Signalempfängers (Fig. 9-9)

- Den Zuleitungsdraht (weiß, 9-polig) für die Signalempfänger-Eckplatte von der Seite des Elektrokastens am Hauptgerät aus verlegen.
- Mit CN90 (weiß) an der Controller-Karte verbinden.
- Der Zuleitungsdraht für die Signalempfänger-Eckplatte muss durch die Klaue der glockenförmigen Öffnung geführt werden.
- Der Rest des Zuleitungsdrahts muss ohne Durchhängen mit einer Kabelklemme zusammengehalten und in den Elektrokasten geführt werden.
- Den Deckel mithilfe der 2 Schrauben wieder am Elektrokasten befestigen.

Hinweis:

- Darauf achten, dass sich die Drähte nicht im Deckel des Elektrokastens verfangen. Die Eckplatte des Signalempfängers an der Blende anbringen und mit der Schraube befestigen.

Die Eckplatte des Signalempfängers kann nicht auf der Dränagerohrseite für das Hauptgerät angebracht werden. (Siehe Fig. 9-10)

- A Eckplatte des Signalempfängers
- B Gitterbohrung (Zuleitungsdraht durchführen.)
- C Klaue der glockenförmigen Öffnung
- D Draht
- E Klemme
- F Kabelbinder (Zuleitungsdraht befestigen.)
- G CN90 an Controller-Karte
- H Schraube

9. Anbringung des Gitters

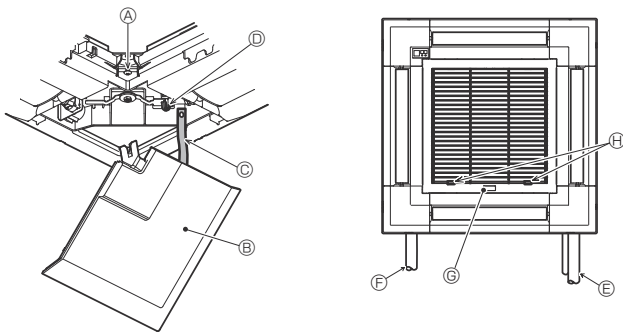


Fig. 9-11

9.5. Anbringung des Ansauggitters (Fig. 9-11)

Hinweis:

Beim erneuten Anbringen der Eckplatten (jeweils mit angebrachtem Sicherheitsriemen) das andere Ende des Sicherheitsriemens am Gitter anbringen, wie in der Abbildung gezeigt.

* Wenn die Eckplatten nicht sicher angebracht werden, können sie während des Betriebs des Hauptgeräts herabfallen.

• Zur Installation des Ansauggitters und der Eckplatten die unter "9.2. Vorbereitung zum Anbringen des Gitters" beschriebenen Schritte in umgekehrter Reihenfolge ausführen.

• Die Richtung des Ansauggitters kann auf Wunsch des Kunden geändert werden.

Ⓐ Schraube (4 × 16)

Ⓑ Eckplatte

Ⓒ Sicherheitsriemen

Ⓓ Haken

Ⓔ Kältemittelrohr

Ⓕ Dränagerohr

Ⓖ Firmenlogo

* Installation in jeder Position möglich.

Ⓜ Anfangsposition der Hebel am Ansauggitter

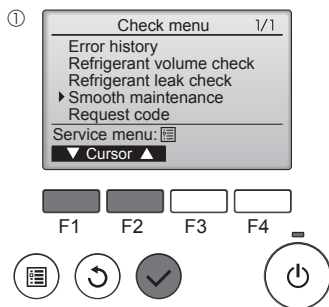
* Obwohl sich die Klemmen in jeder der 4 Positionen installieren lassen, wird die hier gezeigte Konfiguration empfohlen. (Das Ansauggitter muss bei Wartungsarbeiten am Elektrokasten des Hauptgeräts nicht abgenommen werden.)

10. Funktion für einfache Wartung

Mit „Smooth maintenance“ (Reibungslose Wartung) können Wartungsdaten wie Temperatur des Wärmetauschers oder Stromverbrauch des Kompressors des Innen-/Außengeräts angezeigt werden.

* Im Testbetrieb lässt sich diese Funktion nicht ausführen.

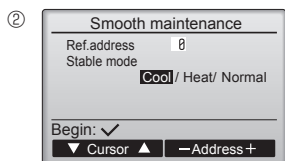
* Je nach Kombination mit dem Außengerät wird diese Funktion von einigen Geräten nicht unterstützt.



• Wählen Sie „Service“ im Main menu (Hauptmenü), und drücken Sie die [AUSWAHL]-Taste.

• Wählen Sie „Check“ (Prüfen) mit einer der Tasten [F1] und [F2], und drücken Sie die [AUSWAHL]-Taste.

• Wählen Sie „Smooth maintenance“ (Reibungslose Wartung) mit einer der Tasten [F1] oder [F2], und drücken Sie die [AUSWAHL]-Taste.



Wählen Sie jeden Eintrag aus.

• Wählen Sie den zu ändernden Eintrag mit einer der Tasten [F1] und [F2] aus.

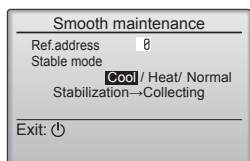
• Wählen Sie die gewünschte Einstellung mit einer der Tasten [F3] und [F4] aus.

Einstellung „Ref. address“ (Ref.-Adresse) „0“ - „15“

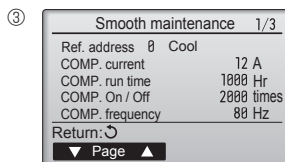
Einstellung „Stable mode“ (stabiler Modus)..... „Cool“ (Kühlen) / „Heat“ (Heizen) / „Normal“

• Drücken Sie die [AUSWAHL]-Taste. Der konstante Betrieb startet.

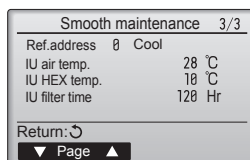
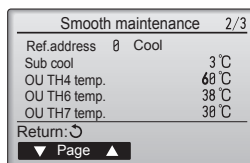
* Der Stable mode (stabile Modus) dauert etwa 20 Minuten.



Es erscheinen die Betriebsdaten.



Die summierte Betriebszeit des Kompressors (COMP. run) wird in Einheiten von 10 Stunden angezeigt, und die Anzahl der Ein-/Ausschaltvorgänge (COMP. Ein/Aus) wird mit dem Faktor 100 dargestellt (Bruchteile vernachlässigt)



Navigation durch die Bildschirme

- Zurück zum Hauptmenü..... [MENÜ] Knopf
- Zurück zur vorhergehenden Anzeige [ZURÜCK] Knopf

Index

1. Consignes de sécurité.....	40	6. Installations électriques.....	46
2. Emplacement pour l'installation.....	41	7. Marche d'essai.....	52
3. Installation de l'appareil intérieur.....	42	8. Contrôle du système.....	55
4. Installation de la tuyauterie du réfrigérant.....	44	9. Installer la grille.....	56
5. Mise en place du tuyau d'écoulement.....	45	10. Fonction d'entretien aisé.....	58

Remarque:





Dans le présent manuel d'utilisation, l'expression "Télécommande fi laire" fait uniquement référence au modèle PAR-32MAA.

Pour toute information sur l'autre télécommande, reportez-vous au livret d'instructions ou au manuel de paramétrage initial fournis dans les boîtes.

1. Consignes de sécurité

- ▶ Avant d'installer le climatiseur, lire attentivement toutes les "Consignes de sécurité".
- ▶ Les "Consignes de sécurité" reprennent des points très importants concernant la sécurité. Veillez bien à les suivre.
- ▶ Il est nécessaire de consulter ou d'obtenir l'autorisation de la compagnie d'électricité concernée avant de connecter le système.

SIGNIFICATION DES SYMBOLES AFFICHÉS SUR L'APPAREIL

	AVERTISSEMENT (Risque d'incendie)	Ce symbole est utilisé uniquement pour le réfrigérant R32. Le type de réfrigérant est indiqué sur la plaque signalétique de l'appareil extérieur. Si le type de réfrigérant est le R32, cet appareil utilise un réfrigérant inflammable. Si le réfrigérant fuit et entre en contact avec une flamme ou une pièce chaude, il produira un gaz toxique et un incendie risque de se déclencher.
		Veillez lire le MANUEL D'INSTALLATION avec soin avant utilisation.
		Le personnel d'entretien est tenu de lire avec soin le MANUEL D'UTILISATION et le MANUEL D'INSTALLATION avant utilisation.
		De plus amples informations sont disponibles dans le MANUEL D'UTILISATION, le MANUEL D'INSTALLATION et documents similaires.

Symboles utilisés dans le texte


Avertissement :


Précautions à suivre pour éviter tout danger de blessure ou de décès de l'utilisateur.

Précaution :

Décrit les précautions qui doivent être prises pour éviter d'endommager l'appareil.

Symboles utilisés dans les illustrations

 : Indique un élément qui doit être mis à la terre.

 : À éviter absolument.

Une fois l'installation terminée, expliquer les "Consignes de sécurité", l'utilisation et l'entretien de l'appareil au client conformément aux informations du mode d'emploi et effectuer l'essai de fonctionnement en continu pour garantir un fonctionnement normal. Le manuel d'installation et le mode d'emploi doivent être fournis à l'utilisateur qui doit les conserver. Ces manuels doivent également être transmis aux nouveaux utilisateurs.

Avertissement :

- Prendre soin de lire les étiquettes se trouvant sur l'appareil principal.
- Contacter un revendeur ou un technicien agréé pour installer, déplacer et réparer l'appareil.
- N'essayez jamais de réparer ou de déplacer vous-même l'appareil.
- Ne pas modifier l'appareil.
- Pour l'installation et le déplacement, suivre les instructions fournies dans le manuel d'installation et utiliser des outils et des éléments de tuyauterie spécifiquement conçus pour l'utilisation avec le réfrigérant indiqué dans le manuel d'installation de l'appareil extérieur.
- L'appareil doit être installé conformément aux instructions pour réduire les risques de dommages liés à des tremblements de terre, des typhons ou des vents violents. Une installation incorrecte peut entraîner la chute de l'appareil et provoquer des dommages ou des blessures.
- L'appareil doit être solidement installé sur une structure pouvant supporter son poids.
- L'appareil sera stocké dans une zone bien ventilée où la taille des pièces correspond à la surface des pièces spécifiée pour le fonctionnement.
- Si le climatiseur est installé dans une petite pièce ou dans un local fermé, certaines mesures doivent être prises pour éviter que la concentration de réfrigérant ne dépasse le seuil de sécurité en cas de fuite de réfrigérant. En cas de fuite de réfrigérant et de dépassement du seuil de concentration, des risques liés au manque d'oxygène dans la pièce peuvent survenir.
- Tenir les appareils à gaz, les radiateurs électriques et autres sources d'incendie (sources d'inflammation) à l'écart des lieux où l'installation, des réparations et autres travaux sur le climatiseur seront effectués.
Tout contact du réfrigérant avec une flamme libère des gaz toxiques.
- Aérer la pièce en cas de fuite de réfrigérant lors de l'utilisation. Le contact du réfrigérant avec une flamme peut provoquer des émanations de gaz toxiques.
- Tout travail sur les installations électriques doit être effectué par un technicien qualifié conformément aux réglementations locales et aux instructions fournies dans ce manuel.
- N'utiliser que les câbles spécifiés pour les raccordements. Les raccordements doivent être réalisés correctement sans tension sur les bornes. Ne jamais effectuer de jonction sur les câbles (sauf en cas d'indications contraires). Le non respect de cette consigne peut entraîner une surchauffe ou un incendie.
- Lors de l'installation, du déplacement ou de l'entretien du climatiseur, n'utilisez que le réfrigérant indiqué sur l'appareil extérieur pour remplir les tuyaux de réfrigérant. Ne pas le mélanger avec un autre réfrigérant et faire le vide d'air dans les tuyaux.
Si du réfrigérant est mélangé avec de l'air, cela peut provoquer des pointes de pression dans les tuyaux de réfrigérant et entraîner une explosion et d'autres risques.

L'utilisation d'un réfrigérant différent de celui spécifié pour le climatiseur peut entraîner des défaillances mécaniques, des dysfonctionnements du système ou une panne de l'appareil. Dans le pire des cas, cela peut entraîner un obstacle à la mise en sécurité du produit.

- L'appareil doit être installé conformément aux réglementations nationales relatives au câblage.
- Cet appareil n'est pas conçu pour être utilisé par des personnes (y compris des enfants) présentant des capacités physiques, sensorielles ou mentales réduites, ou manquant d'expérience et de connaissances, à moins qu'elles ne soient supervisées ou aient reçu des instructions relatives à l'utilisation de l'appareil par une personne responsable de leur sécurité.
- Les enfants doivent être surveillés pour s'assurer qu'ils ne jouent pas avec l'appareil.
- Le couvercle du bloc de sortie de l'appareil doit être solidement fixé.
- Si le cordon d'alimentation est endommagé, il doit être remplacé par le fabricant, ses revendeurs ou un technicien qualifié pour éviter tout danger de choc électrique.
- N'utiliser que les accessoires agréés par Mitsubishi Electric et contacter un revendeur ou un technicien agréé pour les installer.
- Une fois l'installation terminée, vérifier les éventuelles fuites de réfrigérant. Si le réfrigérant fuit dans la pièce et entre en contact avec la flamme d'un chauffage ou d'une cuisinière, des gaz toxiques peuvent se dégager.
- Ne faites usage d'aucun moyen visant à accélérer le processus de dégivrage ou à nettoyer autre que ceux recommandés par le fabricant.
- L'appareil doit être rangé dans une pièce ne contenant aucune source d'allumage continue (exemple : flammes nues, appareil à gaz ou chauffage électrique).
- Ne percez pas et ne brûlez pas l'appareil.
- Sachez que les réfrigérants peuvent être inodores.
- La tuyauterie doit être protégée contre tout dommage physique.
- L'installation de tuyauterie doit être limitée au strict minimum.
- Les réglementations nationales sur les gaz doivent être respectées.
- Gardez les ouvertures de ventilation libres d'obstruction.
- Ne pas utiliser d'alliage de soudure à basse température pour le brasage des tuyaux de réfrigérant.
- Lors de travaux de soudure, veiller à assurer une ventilation suffisante de la pièce. Veiller à ce qu'aucun matériau dangereux ou inflammable ne se trouve à proximité. Si le travail est effectué dans une pièce fermée, de petite taille ou un endroit similaire, vérifier l'absence de toute fuite de réfrigérant avant de commencer le travail. Si le réfrigérant fuit et s'accumule, il risque de s'enflammer et des gaz toxiques peuvent se dégager.

1. Consignes de sécurité

1.1. Avant l'installation (Environnement)

⚠ Précaution :

- Ne pas utiliser l'appareil dans un environnement inhabituel. Si le climatiseur est installé dans des endroits exposés à la vapeur, à l'huile volatile (notamment l'huile de machine), au gaz sulfurique ou à une forte teneur en sel, par exemple, en bord de mer, les performances peuvent considérablement diminuer et les pièces internes de l'appareil être endommagées.
- Ne pas installer l'appareil dans des endroits où des gaz de combustion peuvent s'échapper, se dégager ou s'accumuler. L'accumulation de gaz de combustion autour de l'appareil peut provoquer un incendie ou une explosion.
- Ne pas placer d'aliments, de plantes, d'animaux en cage, d'objets d'art ou d'instruments de précision dans la soufflerie d'air direct de l'appareil intérieur ou à proximité de l'appareil au risque de les endommager par des variations de température ou des gouttes d'eau.
- Si l'humidité ambiante dépasse 80% ou si le tuyau d'écoulement est bouché, des gouttes d'eau peuvent tomber de l'appareil intérieur. Ne pas installer l'appareil intérieur dans un endroit où ces gouttes peuvent provoquer des dommages.
- Lors de l'installation de l'appareil dans un hôpital ou un centre de communications, se préparer au bruit et aux interférences électroniques. Les inverseurs, les appareils électroménagers, les équipements médicaux haute fréquence et de communications radio peuvent provoquer un dysfonctionnement ou une défaillance du climatiseur. Le climatiseur peut également endommager les équipements médicaux et de communications, perturbant ainsi les soins et réduisant la qualité d'affichage des écrans.

1.2. Avant l'installation ou le déplacement

⚠ Précaution :

- Transporter les appareils avec précaution. L'appareil doit être transporté par au moins deux personnes, car il pèse 20 kg minimum. Ne pas le saisir par les rubans d'emballage. Porter des gants de protection en raison du risque de se blesser les mains sur les ailettes ou d'autres pièces.
- Veiller à éliminer le matériel d'emballage en toute sécurité. Le matériel d'emballage (clous et autres pièces en métal ou en bois) peut provoquer des blessures.
- Isoler le tuyau de réfrigérant pour éviter la condensation. S'il n'est pas correctement isolé, de la condensation risque de se former.
- Placer un isolant thermique sur les tuyaux pour éviter la condensation. L'installation incorrecte du tuyau d'écoulement peut provoquer des fuites d'eau et endommager le plafond, le sol, les meubles ou d'autres objets.
- Ne pas nettoyer le climatiseur à l'eau au risque de provoquer un choc électrique.
- Serrer tous les écrous évasés conformément aux spécifications à l'aide d'une clé dynamométrique. S'ils sont trop serrés, ils peuvent casser après une période prolongée.
- Si l'appareil fonctionne pendant de nombreuses heures lorsque la température/le taux d'humidité de l'air au-dessus du plafond sont élevés (point de rosée supérieur à 26 °C), de la condensation peut se produire dans l'appareil intérieur ou dans les matériaux du plafond. Si les appareils doivent être utilisés dans ces conditions, ajoutez une couche d'isolation (10 à 20 mm) sur toute la surface de l'appareil et du plafond pour éviter la condensation.

1.3. Avant l'installation électrique

⚠ Précaution :

- Veiller à installer des coupe-circuits. Dans le cas contraire, un choc électrique peut se produire.
- Pour les lignes électriques, utiliser des câbles standard de capacité suffisante. Dans le cas contraire, un court-circuit, une surchauffe ou un incendie peut se produire.
- Lors de l'installation des lignes électriques, ne pas mettre les câbles sous tension.
- Veiller à mettre l'appareil à la terre. Une mise à la terre incorrecte de l'appareil peut provoquer un choc électrique.
- Utiliser des coupe-circuits (disjoncteur de fuite à la terre, interrupteur d'isolement (fusible +B) et disjoncteur à boîtier moulé) à la capacité spécifiée. Si la capacité du coupe-circuit est supérieure à celle spécifiée, une défaillance ou un incendie peut se produire.

1.4. Avant la marche d'essai

⚠ Précaution :

- Activer l'interrupteur principal au moins 12 heures avant la mise en fonctionnement de l'appareil. L'utilisation de l'appareil juste après sa mise sous tension peut endommager sérieusement les pièces internes.
- Avant d'utiliser l'appareil, vérifier que tous les panneaux, toutes les protections et les autres pièces de sécurité sont correctement installés. Les pièces tournantes, chaudes ou à haute tension peuvent provoquer des blessures.
- Ne pas utiliser le climatiseur si le filtre à air n'est pas installé. Sinon, des poussières peuvent s'accumuler et endommager l'appareil.
- Ne pas toucher les interrupteurs les mains humides au risque de provoquer un choc électrique.
- Ne pas toucher les tuyaux de réfrigérant les mains nues lors de l'utilisation.
- A la fin de l'utilisation de l'appareil, attendre au moins cinq minutes avant de désactiver l'interrupteur principal. Dans le cas contraire, une fuite d'eau ou une défaillance peut se produire.

2. Emplacement pour l'installation

Consulter le manuel d'installation de l'appareil extérieur.

3. Installation de l'appareil intérieur

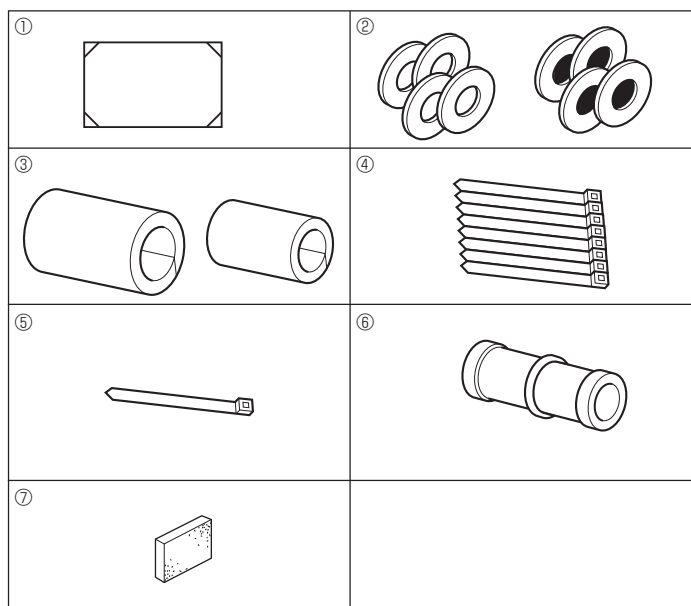


Fig. 3-1

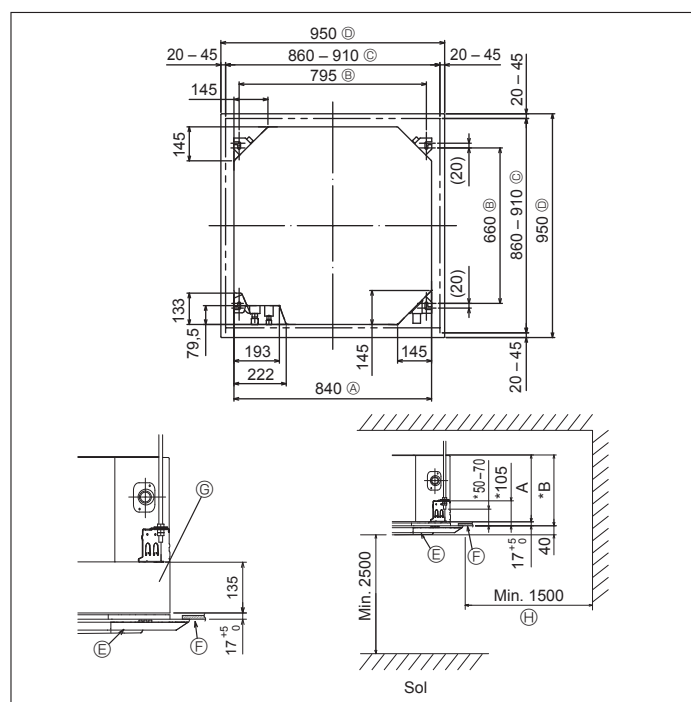


Fig. 3-2

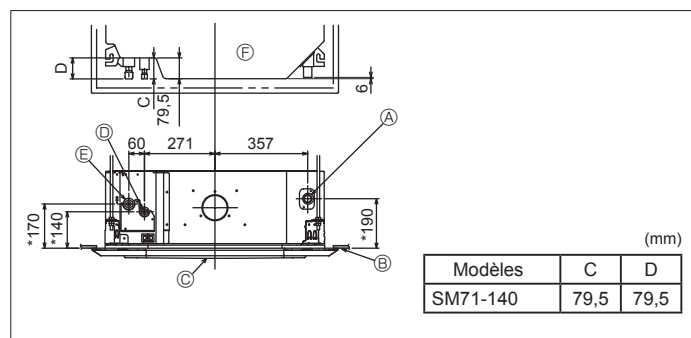


Fig. 3-3

3.1. Vérifier les accessoires qui accompagnent l'appareil intérieur (Fig. 3-1)

L'appareil intérieur doit être livré avec les accessoires suivants:

	Nom de l'accessoire	Qté
①	Schéma d'installation (haut du colis)	1
②	Rondelles (avec isolation)	4
	Rondelles (sans isolation)	4
③	Cache-tuyaux (pour le raccord des tuyaux de réfrigérant) petit diamètre	1
	grand diamètre	1
④	Courroie (large)	8
⑤	Courroie (petite)	1
⑥	Prise d'écoulement	1
⑦	Isolation	1

3.2. Ouvertures dans le plafond et emplacement des boulons de suspension (Fig. 3-2)

⚠ Précaution:

Installer l'appareil intérieur à 2,5 m au moins au-dessus du sol ou sur un plan surélevé.

Pour les appareils qui ne sont pas accessibles au public.

- Utiliser le schéma d'installation (dans le haut du colis) et le gabarit (fourni comme accessoire avec la grille) pour créer une ouverture dans le plafond de sorte à pouvoir installer l'appareil principal comme illustré sur le schéma. (Les méthodes d'utilisation du schéma et du gabarit sont indiquées également.)

* Avant toute utilisation, vérifier les dimensions du schéma et du gabarit car celles-ci peuvent changer en fonction de la température et de l'humidité.

* Les dimensions de l'ouverture dans le plafond peuvent être définies au sein de la plage indiquée dans la Fig.3-2 ; centrer l'appareil principal par rapport à l'ouverture dans le plafond, en veillant à la symétrie de chaque côté par rapport à l'orifice.

- Utiliser des boulons de suspension M10 (3/8").
 - * L'acquisition des boulons de suspension doit se faire localement.
- Installer l'appareil de manière sûre, en veillant à ce qu'il n'y ait pas de vide entre le panneau du plafond et la grille ni entre l'appareil principal et la grille.

- Ⓐ Partie extérieure de l'appareil principal
- Ⓑ Grille
- Ⓒ Ecartement entre les boulons
- Ⓓ Plafond
- Ⓔ Ouverture dans le plafond
- Ⓕ Boîtier multifonctions (optionnel)
- Ⓖ Partie extérieure de la grille
- Ⓖ Toute la périphérie

* N'oubliez pas que l'espace laissé entre le panneau de l'appareil côté plafond et le pan de plafond, etc. doit être de 7 mm minimum.

* Lors de l'installation du boîtier multifonctions disponible en option, ajouter 135 mm aux dimensions indiquées dans la figure.

(mm)

Modèles	A	B
SM71	241	258
SM100-140	281	298

3.3. Emplacement des tuyaux de réfrigérant et d'écoulement de l'appareil intérieur (Fig. 3-3)

Les chiffres marqués d'une * sur le croquis représentent les dimensions de l'appareil principal sans tenir compte de celles du boîtier multifonctions disponible en option.

- Ⓐ Tuyau d'évacuation
- Ⓑ Plafond
- Ⓒ Grille
- Ⓓ Tuyau de réfrigérant (liquide)
- Ⓔ Tuyau de réfrigérant (gaz)
- Ⓕ Appareil principal

* Lors de l'installation d'un boîtier multifonctions disponible en option, ajouter 135 mm aux dimensions indiquées sur le croquis.

3. Installation de l'appareil intérieur

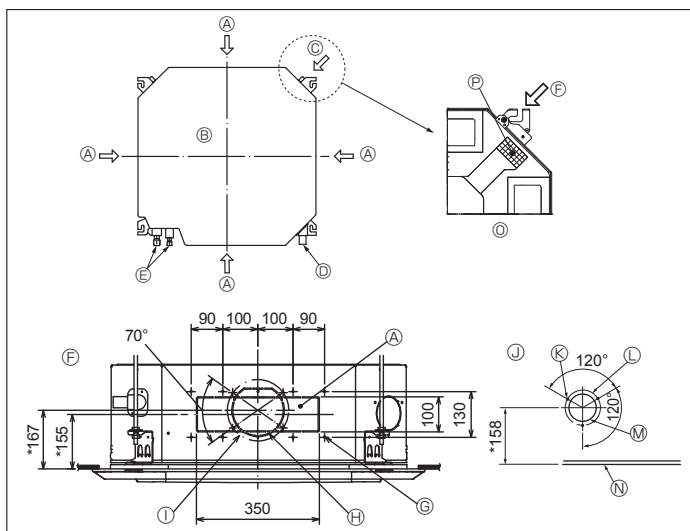


Fig. 3-4

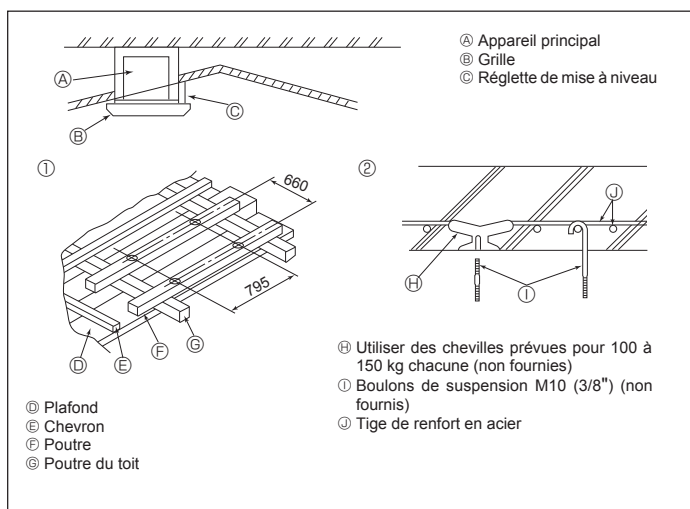


Fig. 3-5

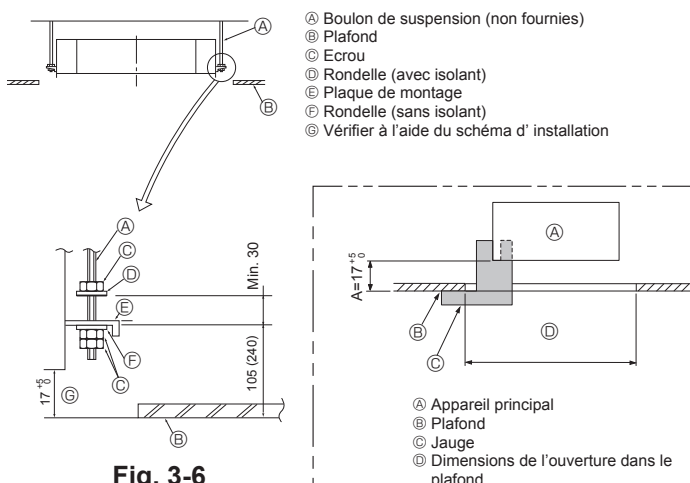


Fig. 3-6

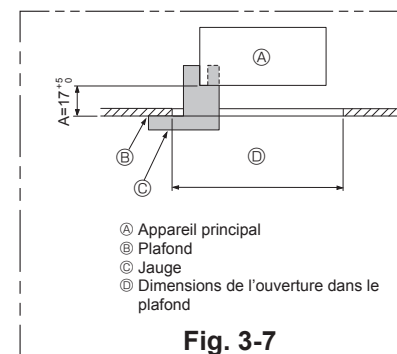


Fig. 3-7

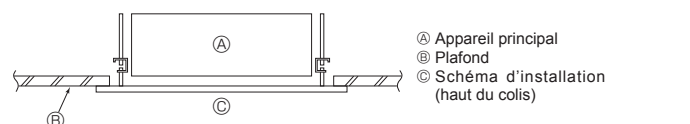


Fig. 3-8

3.4. Orifice pour le tuyau d'embranchement et orifice pour l'arrivée d'air frais (Fig. 3-4)

Lors de l'installation, utiliser les orifices des tuyaux (coupés) dont les positions sont indiquées dans les Fig.3-4, en cas de nécessité.

• Il est également possible de créer un orifice d'arrivée d'air frais pour le boîtier multifonctions en option.

Remarque :

- La figure marquée d'un astérisque * sur le schéma représente les dimensions de l'appareil principal sans tenir compte des dimensions du boîtier multifonctions disponible en option.
- Lors de l'installation de ce boîtier multifonctions, ajouter 135 mm aux dimensions reprises sur la figure.
- Lors de l'installation des tuyaux d'embranchement, veiller à toujours les isoler correctement sinon de la condensation risque de se former et des gouttes pourraient tomber.
- Lors de l'installation de l'orifice pour l'arrivée d'air frais, veiller à retirer l'isolant * qui est collé dans l'appareil intérieur.
- Lorsque l'air extérieur pénètre directement dans l'appareil principal, le volume d'air frais ne doit pas dépasser 5 % du volume d'air de l'appareil intérieur.
- Pour permettre à l'air extérieur de pénétrer, le ventilateur du tuyau et le filtre anti-poussière qui évitent toute pénétration de poussière ou autres particules dans l'appareil, sont indispensables.
- Pour en savoir plus, voir "Volume d'arrivée d'air frais & propriétés de la pression statique" dans le LIVRE DES DONNÉES série P.
- Lorsque l'air extérieur pénètre dans l'appareil principal, le bruit de fonctionnement peut être plus important.

- A Orifice du tuyau d'embranchement
- B Appareil principal
- C Orifice d'arrivée d'air frais
- D Tuyau d'écoulement
- E Tuyau de réfrigérant
- F Diagramme de l'orifice du tuyau d'embranchement (vu du côté opposé)
- G Vis autotaraudeuses 14-4x10
- H Orifice prédécoupé de $\phi 150$
- I Ecartement de l'orifice perforé $\phi 175$
- J Diagramme de l'orifice d'arrivée d'air frais
- K Vis autotaraudeuses 3-4x10
- L Ecartement de l'orifice perforé $\phi 125$
- M Orifice prédécoupé $\phi 100$
- N Plafond
- O Figure expliquant comment retirer l'isolant
- P Isolation

3.5. Structure de suspension (Construire une structure renforcée à l'endroit de suspension de l'appareil) (Fig. 3-5)

Les travaux à effectuer au plafond varient en fonction du type d'édifice. Il convient de consulter les constructeurs et les décorateurs du bâtiment pour plus de détails.

- (1) Etendue de la découpe dans le plafond: Le plafond doit être parfaitement à l'horizontale et ses fondations (encadrement: linteaux de bois ou supports de linteaux) doivent être renforcées afin d'éviter qu'il ne vibre.
- (2) Découper et déposer les fondations du plafond.
- (3) Renforcer les extrémités de la fondation du plafond à l'endroit de la découpe et ajouter une fondation de renfort pour assurer les extrémités des traverses du plafond.
- (4) Lors de l'installation de l'appareil sur un plafond incliné, installer une réglette de mise à niveau entre le plafond et la grille de telle sorte que l'appareil soit à l'horizontale.

- ① Structures en bois
 - Utiliser les tirants (pour les maisons de plain-pied) ou les poutres de l'étage (pour les maisons à étage) comme renforts.
 - Les poutres en bois devant servir à soutenir les climatiseurs doivent être robustes et leurs côtés doivent avoir au moins 6 cm de long si les poutres sont séparées d'un intervalle de maximum 90 cm ou ils doivent avoir 9 cm de long si les poutres sont séparées par un intervalle allant jusqu'à 180 cm. Les boulons de suspension doivent avoir 10 mm de diamètre (3/8"). (Ces boulons ne sont pas livrés avec l'appareil.)
- ② Structures en béton armé

Fixer les boulons de suspension à l'aide de la méthode illustrée ou utiliser des chevilles en acier ou en bois, etc. pour installer les boulons de suspension.

3.6. Méthodes de suspension de l'appareil (Fig. 3-6)

Suspendre l'appareil principal comme indiqué sur le diagramme. Les chiffres fournis entre parenthèses représentent les dimensions nécessaires en cas d'installation d'un boîtier multifonctions en option.

1. Poser à l'avance les éléments sur les boulons de suspension dans l'ordre rondelles (avec isolant), rondelles (sans isolant) et écrous (double).
- Placer la rondelle avec isolant de telle sorte que la partie isolante soit tournée vers le bas.
- En cas d'utilisation de rondelles supérieures pour suspendre l'appareil principal, les rondelles inférieures (avec isolant) et les écrous (doubles) doivent être installés postérieurement.
2. Lever l'appareil à la hauteur adéquate des boulons de suspension pour introduire la plaque de montage entre les rondelles et la serrer convenablement.
3. Lorsque l'appareil principal ne peut pas être aligné contre l'orifice de montage au plafond, il est possible de le régler par une fente prévue sur la plaque de montage.
 - S'assurer que le point A s'effectue dans une fourchette allant de 17 à 22 mm. Le non respect de cette marge pourrait être à l'origine de certains dégâts. (Fig. 3-7)

⚠ Précaution:

Utiliser la moitié supérieure du carton comme couvercle de protection pour empêcher les poussières ou les débris de pénétrer à l'intérieur de l'appareil avant la mise en place du couvercle de finition ou lors de l'application de matériaux de revêtement du plafond.

3.7. Confirmer l'emplacement de l'appareil principal et serrer les boulons de suspension (Fig. 3-8)

- A l'aide du gabarit fixé à la grille, s'assurer que le bas de l'appareil est aligné par rapport à l'ouverture dans le plafond. Veiller à bien vérifier ce point sinon des gouttes de condensation dues aux fuites d'air, etc. risquent de tomber.
- A l'aide d'un niveau ou d'un tube en vinyle rempli d'eau, vérifier que l'appareil principal soit bien à l'horizontale.
- Lorsque la bonne position de l'appareil principal est définie avec certitude, serrer convenablement les écrous des boulons de suspension pour le fixer.
- Le schéma d'installation (dans le haut du colis) peut servir de feuille protectrice pour empêcher la poussière de pénétrer à l'intérieur de l'appareil lorsque les grilles doivent rester enlevées pendant un certain temps ou si le recouvrement du plafond doit être remis en place ou ré-égalisé après l'installation de l'appareil.
- * Pour plus de détails concernant le montage, veuillez vous reporter aux instructions du schéma d'installation. (haut du colis)

4. Installation de la tuyauterie du réfrigérant

4.1. Consignes

Pour les appareils utilisant le réfrigérant R32/R410A

- Utilisez de l'huile alkylbenzène (en petite quantité) comme huile frigorigène sur les parties évasées.
- Utilisez le cuivre phosphoreux C1220, pour des tuyaux sans soudure en cuivre et en alliage de cuivre, pour raccorder les tuyaux de réfrigérant. Utilisez les tuyaux de réfrigérant dont l'épaisseur est spécifiée dans le tableau ci-dessous. Vérifier que l'intérieur des tuyaux est propre et dépourvu de tout agent nocif tel que des composés sulfuriques, des oxydants, des débris ou des saletés.

⚠ Avertissement :

Lors de l'installation, du déplacement ou de l'entretien du climatiseur, n'utilisez que le réfrigérant indiqué sur l'appareil extérieur pour remplir les tuyaux de réfrigérant. Ne pas le mélanger avec un autre réfrigérant et faire le vide d'air dans les tuyaux.

Si du réfrigérant est mélangé avec de l'air, cela peut provoquer des pointes de pression dans les tuyaux de réfrigérant et entraîner une explosion et d'autres risques.

L'utilisation d'un réfrigérant différent de celui spécifié pour le climatiseur peut entraîner des défaillances mécaniques, des dysfonctionnements du système ou une panne de l'appareil. Dans le pire des cas, cela peut entraîner un obstacle à la mise en sécurité du produit.

ø6,35 épaisseur 0,8 mm	ø9,52 épaisseur 0,8 mm
ø12,7 épaisseur 0,8 mm	ø15,88 épaisseur 1,0 mm

- Ne pas utiliser de tuyaux plus fins que ceux spécifiés ci-dessus.

4.2. Connexion des tuyaux (Fig. 4-1)

- En cas d'utilisation de tuyaux en cuivre disponibles sur le marché, envelopper les tuyaux de liquide et de gaz avec de la matière isolante vendue dans le commerce sur le marché (résistant à une chaleur de 100 °C ou supérieure et d'une épaisseur de 12 mm ou plus).
- Appliquer un film mince d'huile réfrigérante sur la surface du tuyau et du support du joint avant de serrer l'écrou évasé.
- Utiliser deux clés pour serrer les connexions des tuyaux.
- Utiliser la matière isolante des tuyaux de réfrigérant fournie afin d'envelopper les connexions des appareils intérieurs. Effectuer l'isolation avec soin.
- Après le raccordement du tuyau de réfrigérant à l'appareil intérieur, vérifier toutes les connexions et s'assurer qu'il n'y a pas de fuite de gaz en envoyant de l'azote à l'état gazeux dans les tuyaux. (Vérifier qu'il n'y a pas de fuite de réfrigérant au niveau du tuyau de réfrigérant connecté à l'appareil intérieur.)
- Utilisez l'écrou évasé monté sur cet appareil intérieur.
- En cas de repose des tuyaux de réfrigérant après démontage, refaites la partie évasée du tuyau.

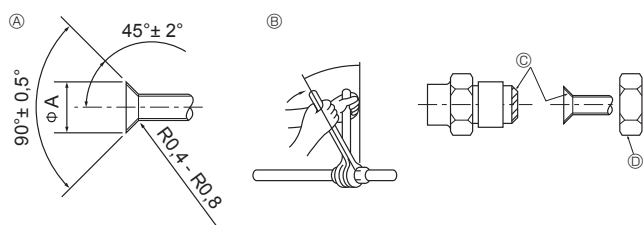


Fig. 4-1

Ⓐ Dimension de l'évasement

Diam. ext. Tuyau en cuivre (mm)	Dimensions évasement Dimensions øA (mm)
ø6,35	8,7 - 9,1
ø9,52	12,8 - 13,2
ø12,7	16,2 - 16,6
ø15,88	19,3 - 19,7

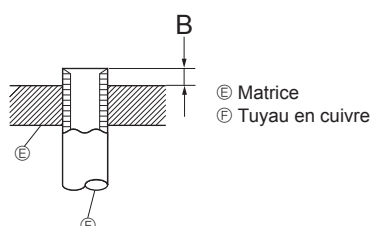


Fig. 4-2

Diam. ext. Tuyau en cuivre (mm)	B (mm)	
	Outil d'évasement pour le R32/R410A	Type embrayage
ø6,35 (1/4")	0 - 0,5	
ø9,52 (3/8")	0 - 0,5	
ø12,7 (1/2")	0 - 0,5	
ø15,88 (5/8")	0 - 0,5	

Ⓑ Couple de serrage du raccord conique

Diam. ext. Tuyau en cuivre (mm)	Diam. ext. raccord conique (mm)	Couple de serrage (N·m)
ø6,35	17	14 - 18
ø6,35	22	34 - 42
ø9,52	22	34 - 42
ø12,7	26	49 - 61
ø15,88	29	68 - 82

Ⓒ Appliquer de l'huile réfrigérante sur toute la surface évasée du fond.

Ⓓ Utiliser des écrous évasés corrects correspondant à la taille des tuyaux de l'appareil extérieur.

Tailles de tuyaux disponibles

	SM71-140
Côté liquide	ø9,52 O
Côté gaz	ø15,88 O

O : Fixation de l'écrou évasé d'usine à l'échangeur thermique.

⚠ Avertissement:

- Attention aux écrous évasés volants ! (pressurisation interne)
Retirez l'écrou évasé en procédant comme suit :
 1. Desserrez l'écrou jusqu'à ce qu'un sifflement se fasse entendre.
 2. Ne retirez pas l'écrou tant que tout le gaz ne s'est pas complètement échappé (c'est-à-dire lorsque le sifflement s'arrête).
 3. Vérifiez si tout le gaz s'est échappé avant de retirer l'écrou.
- Pendant l'installation de l'appareil, brancher correctement les tuyaux de réfrigérant avant de lancer le compresseur.

4. Installation de la tuyauterie du réfrigérant

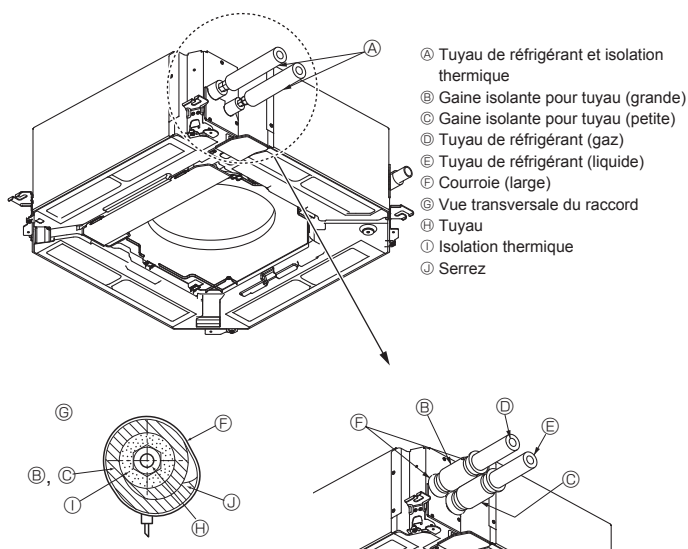


Fig. 4-3

Isolation des tuyaux de réfrigérant contre la chaleur (Fig. 4-3)

- 1 Enrouler le cache-tuyaux de grande dimension fourni autour du tuyau de gaz, en s'assurant que l'extrémité du cache-tuyaux touche le côté de l'appareil.
- 2 Enrouler le cache-tuyaux de petite dimension fourni autour du tuyau de liquide, en s'assurant que l'extrémité du cache-tuyaux touche le côté de l'appareil.
- 3 Fixer les deux extrémités de chaque cache-tuyaux à l'aide des bandes fournies. (Attacher les bandes à 20 mm des extrémités des cache-tuyaux.)

4.3. Pour double combinaison

Consulter le manuel d'installation de l'appareil extérieur.

Certains appareils extérieurs ne peuvent pas être utilisés dans un système à combinaisons double simultanées.

5. Mise en place du tuyau d'écoulement

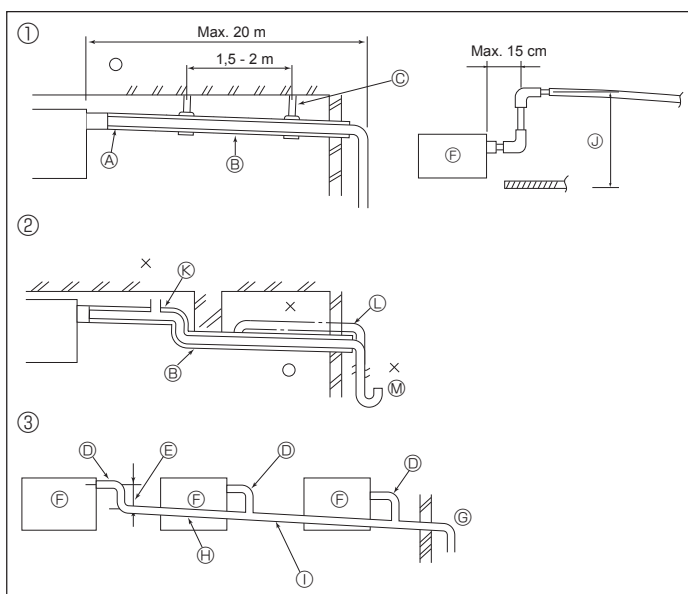


Fig. 5-1

5.1. Mise en place du tuyau d'écoulement (Fig. 5-1)

- Les parties intérieures du tuyau d'écoulement doivent également être entourées de matière isolante en mousse de polyéthylène (avec une poids spécifique de 0,03 et de 9 mm d'épaisseur ou plus).
- Utiliser un tuyau VP25 (en PVC, O.D. $\varnothing 32$) pour les tuyaux d'écoulement et prévoir une pente de 1/100 ou plus.
- Veillez à toujours raccorder les joints des tuyauteries à l'aide d'adhésif de type PVC.
- Se baser sur le schéma pour les travaux de mise en place des tuyaux.
- Utiliser le tuyau d'écoulement livré pour modifier le sens d'évacuation.
- Lors de l'installation du tuyau d'écoulement, veillez à utiliser les supports métalliques. En cas de charge appliquée à la prise d'écoulement se traduisant par la détérioration ou le détachement du tuyau, des fuites d'eau peuvent se produire.

- | | |
|---|---|
| ① Tuyautage correct | Ⓞ Prévoir un orifice suffisamment grand pour la mise en place groupée des tuyaux. |
| ② Tuyautage erroné | Ⓟ Pente descendante (1/100 ou plus) |
| ③ Mise en place groupée des tuyaux | Ⓠ Tube en PVC, O.D. $\varnothing 38$ pour la mise en place groupée des tuyaux (isolant de 9 mm ou plus) |
| Ⓐ Isolant (9 mm ou plus) | Ⓡ Jusqu'à 85 cm |
| Ⓑ Pente descendante (1/100 ou plus) | Ⓢ Soufflerie d'air |
| Ⓒ Support métallique | Ⓣ Soulevé |
| Ⓓ Tube en PVC, O.D. $\varnothing 32$ | Ⓤ Trappe à odeurs |
| Ⓔ Passage aussi long que possible (environ 10 cm) | |
| Ⓕ Appareil principal | |

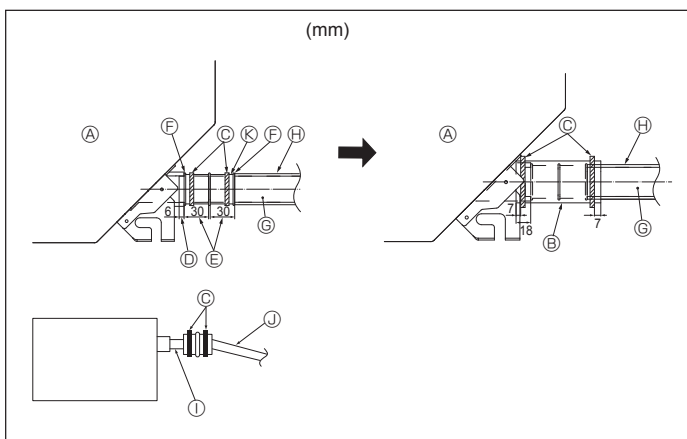


Fig. 5-2

- 1 Raccorder la prise d'écoulement (fourni avec l'appareil) au port de drainage. (Fig. 5-2) (Apposer le tube à l'aide de ruban adhésif en PVC puis le fixer avec une sangle.)
- 2 Installer un tuyau de drainage à se procurer sur place (tuyau en PVC, O.D. $\varnothing 32$). (Apposer le tuyau à l'aide de ruban adhésif en PVC puis le fixer avec une sangle.)
- 3 Vérifier si le drainage s'effectue normalement, de manière régulière.
- 4 Isoler l'orifice et la douille de vidange avec un matériau isolant, puis fixez l'isolant avec une sangle. (La matière isolante et la sangle sont toutes deux livrées avec l'appareil.)
- 5 Isoler le tube et le tuyau. (Tuyau en PVC, O.D. $\varnothing 32$)

- | | |
|----------------------------------|---|
| Ⓐ Appareil principal | Ⓞ Tuyau de drainage (Tuyau en PVC, O.D. $\varnothing 32$) |
| Ⓑ Matière isolante | Ⓟ Matière isolante (à se procurer sur place) |
| Ⓒ Courroie (large) | Ⓠ Tuyau en PVC transparent |
| Ⓓ Port de drainage (transparent) | Ⓡ Tuyau en PVC, O.D. $\varnothing 32$ (Avec une pente minimum de 1/100) |
| Ⓔ Marge d'insertion | Ⓢ Correspondance |
| Ⓕ Prise d'écoulement | |

6. Installations électriques

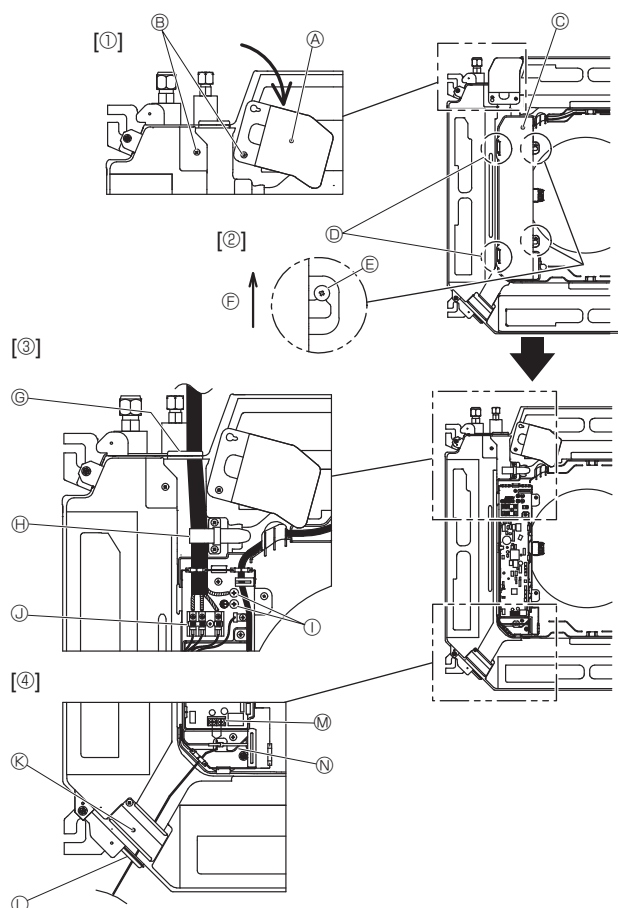


Fig. 6-1

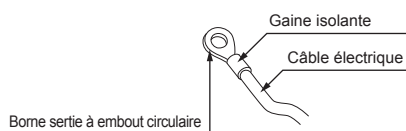


Fig. 6-2

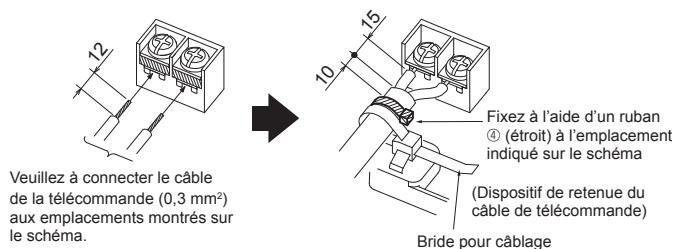


Fig. 6-3

<Lors du branchement de deux câbles de raccordement intérieur-extérieur>

- Si les câbles sont de même diamètre, insérez-les dans les découpes situées des deux côtés.
- Si les câbles sont de diamètre différent, insérez-les d'un seul côté dans des espaces séparés en plaçant un câble au-dessus de l'autre.

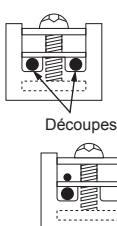


Fig. 6-5

6.1. Appareil intérieur (Fig. 6-1)

1. Desserrez les deux vis de fixation du panneau de service du câblage électrique et faites tourner le panneau. [Fig. 6-1 ①]
 2. Desserrez les deux vis de fixation du couvercle du boîtier électrique et faites glisser le couvercle. [Fig. 6-1 ②]
 3. Faites passer le câble d'alimentation, le câble de raccordement des appareils intérieur/extérieur et le câble de mise à la terre par les entrées de fils indiquées sur le diagramme. [Fig. 6-1 ③]
Placez la partie gainée du câble d'alimentation et du câble de raccordement des appareils intérieur/extérieur dans le boîtier électrique.
Utilisez des bornes serties à embout rond pour le bornier de raccordement intérieur/extérieur et le kit du bornier d'alimentation en option. [Fig. 6-2]
Si l'utilisation de bornes serties à embout rond est impossible, suivez la procédure de la Fig. 6-3-6-6.
Reportez-vous à 6.1.1 et 6.1.2 pour le raccordement.
 4. Faites passer le câble de télécommande via les entrées de fils indiquées sur le diagramme et raccordez-le. [Fig. 6-1 ④, Fig. 6-3]
Reportez-vous à 6.1.1 et 6.1.2 pour le raccordement.
- Ne laissez pas les vis des borniers desserrés.

Couple de serrage des vis

	Couple de serrage (N·m)
Bloc de sortie de télécommande	1,2 ± 0,1
Bloc de sortie de raccordement intérieur-extérieur	1,6 ± 0,1
Câble de mise à la terre	1,6 ± 0,1

- Réservez suffisamment de câble de façon à pouvoir suspendre le boîtier électrique sous l'appareil pendant l'entretien (environ 50 à 100 mm).
- ① Panneau de service du câblage électrique
- ② Vis
- ③ Couvercle du boîtier électrique
- ④ Crochet provisoire du couvercle du boîtier électrique
- ⑤ Vis
- ⑥ Direction de glissement du couvercle du boîtier électrique
- ⑦ Entrée du câble d'alimentation et du câble de raccordement des appareils intérieur/extérieur
- ⑧ Fixer avec la bride pour câblage.
- ⑨ Câble de mise à la terre
- ⑩ Borne de raccordement de l'appareil intérieur/extérieur
- ⑪ Panneau de service du câblage électrique (télécommande)
- ⑫ Entrée du câble de télécommande filaire
- ⑬ Borne de la télécommande filaire
- ⑭ Fixer avec la bride pour câblage.

⚠ Attention :

- Le câble de la télécommande doit être maintenu à une certaine distance (au moins 5 cm) du câble d'alimentation afin d'éviter les interférences dues au bruit électrique généré par le câble d'alimentation.

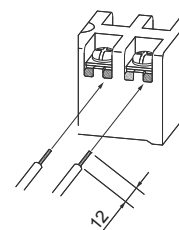


Fig. 6-4

- Pour ouvrir la rainure en U, appuyez sur la tête de la vis après avoir desserré cette dernière.

AVERTISSEMENT

• Il est interdit de raccorder deux câbles d'un même côté.

• Il est interdit de raccorder trois câbles ou plus à la même borne.

• Il est interdit de raccorder des câbles de diamètres différents.

Lorsqu'un seul câble est utilisé, l'utilisation d'une borne sertie à embout circulaire ou toute intervention sur les bornes sont interdites.

Fig. 6-6

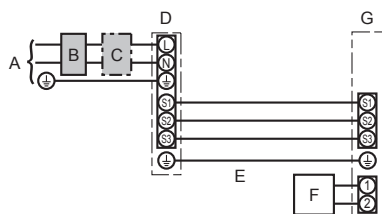
6. Installations électriques

6.1.1. Alimentation de l'appareil intérieur provenant de l'appareil extérieur

Les schémas de connexion suivants sont disponibles.

Les schémas d'alimentation de l'appareil extérieur varient selon les modèles.

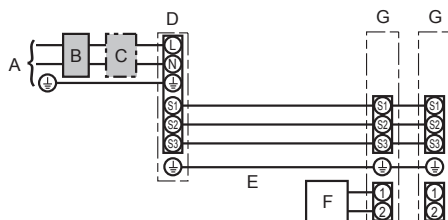
Systeme 1:1



- A Source d'alimentation de l'appareil extérieur
- B Disjoncteur de fuite à la terre
- C Coupe-circuit ou interrupteur d'isolement
- D Appareil extérieur
- E Cordons de raccordement de l'appareil intérieur/extérieur
- F Commande à distance
- G Appareil intérieur

* Apposer une étiquette A fournie avec les manuels près de chaque schéma de câblage des appareils intérieur et extérieur.

Systeme double simultané



- A Source d'alimentation de l'appareil extérieur
- B Disjoncteur de fuite à la terre
- C Coupe-circuit ou interrupteur d'isolement
- D Appareil extérieur
- E Cordons de raccordement de l'appareil intérieur/extérieur
- F Commande à distance
- G Appareil intérieur

* Apposer une étiquette A fournie avec les manuels près de chaque schéma de câblage des appareils intérieur et extérieur.

Remarque :

Certains appareils ne peuvent pas être utilisés dans un système à combinaisons double simultanées. Pour en savoir plus, consultez le manuel d'installation de l'appareil extérieur.

Modèle de l'appareil intérieur		PLA
Câblage No du câble x taille en (mm ²)	Appareil intérieur-appareil extérieur *1	3 x 1,5 (polar)
	Mise à la terre de l'appareil intérieur/extérieur *1	1 x Min. 1,5
	Mise à la terre de l'appareil intérieur	1 x Min. 1,5
	Raccordement de la commande à distance-appareil intérieur *2	2 x 0,3 (Non polarisé)
Tension du circuit	Appareil intérieur (Réchauffeur) L-N *3	—
	Appareil intérieur-appareil extérieur S1-S2 *3	230 V CA
	Appareil intérieur-appareil extérieur S2-S3 *3	24 V CC
	Raccordement de la commande à distance-appareil intérieur *3	12 V CC

*1. <Application de l'appareil extérieur 71-140>

45 m max.

En cas d'utilisation de 2,5 mm², 50 m max.

En cas d'utilisation de 2,5 mm² et S3 séparée, 80 m max.

*2. Max. 500 m

(Lorsque 2 télécommandes sont utilisées, la longueur maximale de câblage pour les câbles de télécommande est de 200 m.)

*3. Les chiffres ne s'appliquent PAS toujours à la mise à la terre.

La borne S3 présente une différence de 24 V CC par rapport à la borne S2. Les bornes S3 et S1 ne sont pas isolées électriquement par le transformateur ou tout autre appareil.

Remarques : 1. La taille des fils doit être conforme aux réglementations nationales et locales pertinentes.

2. Le poids des câbles de connexion entre l'appareil intérieur et l'appareil extérieur doit être égal ou supérieur au poids de câbles flexibles à gaine polychloroprène (conception 60245 IEC 57).

3. Installer un câble de terre plus long que les autres câbles.

4. Les câbles de connexion des appareils intérieur et extérieur sont polarisés. Respectez les numéros de borne (S1, S2, S3) pour procéder à un raccordement correct.

5. Le câble de la télécommande doit être maintenu à une certaine distance (au moins 5 cm) du câble d'alimentation afin d'éviter les interférences dues au bruit électrique généré par le câble d'alimentation.

⚠ Avertissement :

Ne jamais effectuer de jonction du câble d'alimentation ou du câble de raccordement intérieur-extérieur car cela peut entraîner une surchauffe, un incendie ou un raccordement défaillant.

6. Installations électriques

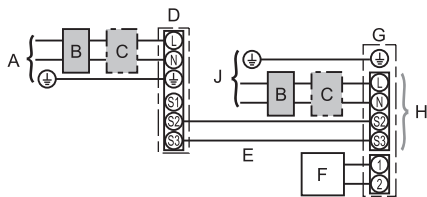
6.1.2. Sources d'alimentation différentes pour l'appareil intérieur/extérieur (pour les applications PUHZ uniquement)

Les schémas de connexion suivants sont disponibles.

Les schémas d'alimentation de l'appareil extérieur varient selon les modèles.

1:1 Simultané

* Le kit de bornes d'alimentation de l'appareil intérieur est requis.

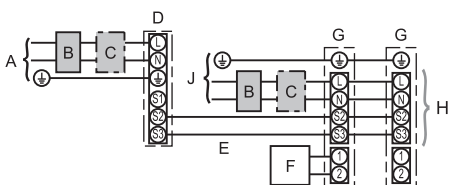


- A Source d'alimentation de l'appareil extérieur
- B Disjoncteur de fuite à la terre
- C Coupe-circuit ou interrupteur d'isolement
- D Appareil extérieur
- E Cordons de raccordement de l'appareil intérieur/extérieur
- F Commande à distance
- G Appareil intérieur
- H Option
- J Source d'alimentation de l'appareil intérieur

* Apposer une étiquette B fournie avec les manuels près de chaque schéma de câblage des appareils intérieur et extérieur.

Système double simultané

* Les kits de bornes d'alimentation de l'appareil intérieur sont requis.



- A Source d'alimentation de l'appareil extérieur
- B Disjoncteur de fuite à la terre
- C Coupe-circuit ou interrupteur d'isolement
- D Appareil extérieur
- E Cordons de raccordement de l'appareil intérieur/extérieur
- F Commande à distance
- G Appareil intérieur
- H Option
- J Source d'alimentation de l'appareil intérieur

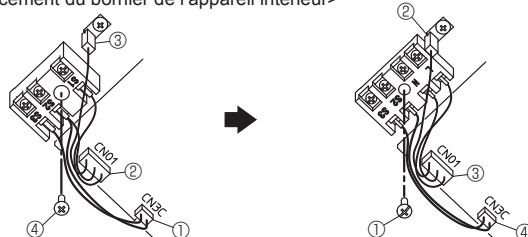
* Apposer une étiquette B fournie avec les manuels près de chaque schéma de câblage des appareils intérieur et extérieur.

Remarque :

Certains appareils ne peuvent pas être utilisés dans un système à combinaisons double simultanées. Pour en savoir plus, consultez le manuel d'installation de l'appareil extérieur.

Si les sources d'alimentation sont différentes pour l'appareil extérieur et l'appareil intérieur, se référer au tableau ci-dessous. Si le kit de bornes d'alimentation de l'appareil intérieur est utilisé, modifier le câblage du boîtier électrique de l'appareil intérieur conformément à la figure de droite ainsi que le réglage du commutateur DIP de la carte de commande de l'appareil extérieur.

<Remplacement du bornier de l'appareil intérieur>



- ① Débranchez le connecteur CN3C (bleu) du panneau du contrôleur intérieur.
- ② Débranchez le connecteur CN01 (noir) du panneau du contrôleur intérieur.
- ③ Débranchez la borne à fiche.
- ④ Retirez la vis du bornier.

- Installez le kit de borne d'alimentation électrique en option. Pour en savoir plus, consultez le manuel d'installation fourni avec le kit de borne d'alimentation électrique en option.
- ① Fixez le bornier avec la vis.
 - ② Insérez la borne à fiche.
 - ③ Branchez le connecteur CN01 (noir) sur le panneau du contrôleur intérieur.
 - ④ Branchez le connecteur CN3C (bleu) sur le panneau du contrôleur intérieur.

Kit de bornes d'alimentation de l'appareil intérieur (en option)	Nécessaire								
Modification de la connexion du connecteur du boîtier électrique de l'appareil intérieur	Nécessaire								
Étiquette apposée près de chaque schéma de câblage des appareils intérieur et extérieur	Nécessaire								
Réglages du commutateur DIP de l'appareil extérieur (lors de l'utilisation de sources d'alimentation différentes pour l'appareil intérieur/extérieur uniquement)	<table border="1" style="margin-left: auto; margin-right: auto;"> <tr> <td>ON</td> <td></td> <td></td> <td>3</td> </tr> <tr> <td>OFF</td> <td>1</td> <td>2</td> <td></td> </tr> </table> <p style="text-align: center;">(SW8) Régler le SW8-3 sur ON.</p>	ON			3	OFF	1	2	
ON			3						
OFF	1	2							

* Il existe trois types d'étiquettes (étiquettes A, B et C). Apposer les étiquettes appropriées sur les appareils en fonction de la méthode de câblage.

Modèle de l'appareil intérieur		PLA
Alimentation de l'appareil intérieur		~N (Monophasé), 50 Hz, 230 V
Capacité d'entrée de l'appareil intérieur		16 A
Interrupteur principal (Disjoncteur)	*1	16 A
Câblage No du câble x taille en (mm ²)	Alimentation de l'appareil intérieur & mise à la terre de l'alimentation de l'appareil intérieur	3 x Min. 1,5
	Appareil intérieur-appareil extérieur	2 x Min. 0,3
	Mise à la terre de l'appareil intérieur/extérieur	-
	Raccordement de la commande à distance-appareil intérieur	2 x 0,3 (Non polarisé)
Tension du circuit	Appareil intérieur L-N	230 V CA
	Appareil intérieur-appareil extérieur S1-S2	-
	Appareil intérieur-appareil extérieur S2-S3	24 V CC
	Raccordement de la commande à distance-appareil intérieur	12 V CC

*1. Utiliser un disjoncteur de fuite à la terre (NV) avec un écartement de 3,0 mm minimum entre les contacts de chaque pôle.

Le coupe-circuit est prévu pour assurer la déconnexion de tous les conducteurs actifs de phase de l'alimentation.

*2. Max. 120 m

*3. Max. 500 m

(Lorsque 2 télécommandes sont utilisées, la longueur maximale de câblage pour les câbles de télécommande est de 200 m.)

*4. Les chiffres ne s'appliquent PAS toujours à la mise à la terre.

Remarques : 1. La taille des fils doit être conforme aux réglementations nationales et locales pertinentes.

2. Le poids des câbles de connexion entre l'appareil intérieur et l'appareil extérieur doit être égal ou supérieur au poids de câbles flexibles à gaine polychloroprène (conception 60245 IEC 57).

3. Installer un câble de terre plus long que les autres câbles.

4. Le câble de la télécommande doit être maintenu à une certaine distance (au moins 5 cm) du câble d'alimentation afin d'éviter les interférences dues au bruit électrique généré par le câble d'alimentation.

⚠ Avertissement :

Ne jamais effectuer de jonction du câble d'alimentation ou du câble de raccordement intérieur-extérieur car cela peut entraîner une surchauffe, un incendie ou un raccordement défaillant.

6. Installations électriques

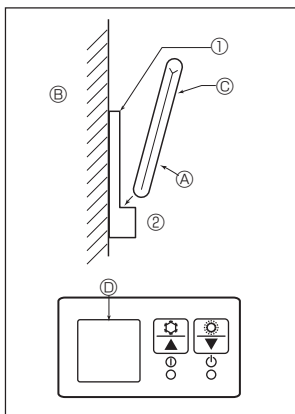


Fig. 6-7

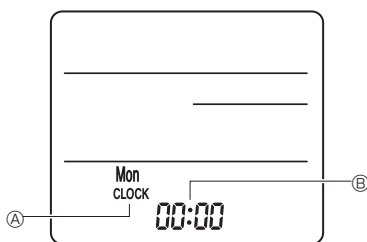


Fig. 6-8

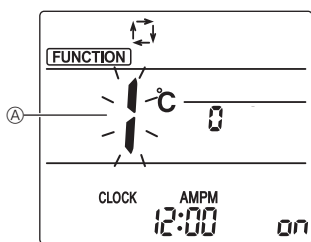
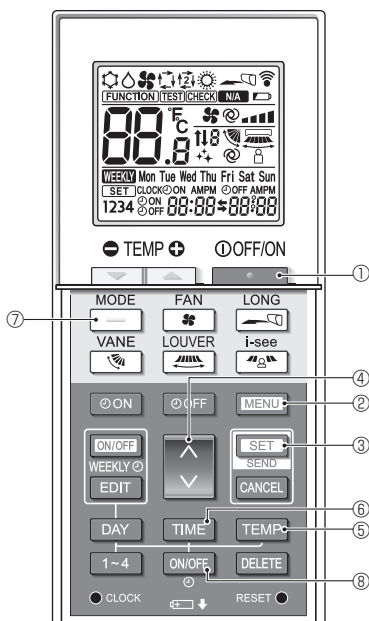


Fig. 6-9

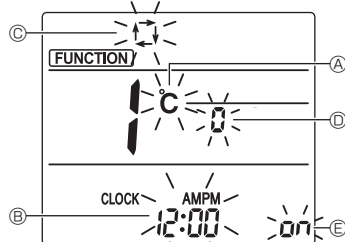


Fig. 6-10

6.2. Télécommande

6.2.1. Pour la télécommande filaire

1) Réglage des deux commandes à distance

Si deux télécommandes sont connectées, réglez l'une sur "principale" et l'autre sur "auxiliaire". Pour prendre connaissance des procédures de configuration, consultez "Sélection des fonctions" dans le mode d'emploi de l'appareil intérieur.

6.2.2. Pour la télécommande sans fil

1) Où l'installer

- Dans un endroit protégé des rayons du soleil.
- Éloignée de toute source de chaleur.
- Dans un endroit où la télécommande ne sera pas sujette aux vents froids ou chauds.
- Dans un endroit où il sera facile d'utiliser la télécommande.
- Hors de la portée des enfants.

2) Méthode d'installation (Fig. 6-7)

- ① Attachez le support de la télécommande à l'endroit voulu à l'aide de 2 vis à taraud.
- ② Mettez la partie inférieure de la télécommande dans le support.
 - Ⓐ Télécommande Ⓑ Mur Ⓒ Afficheur Ⓓ Récepteur
- Le signal peut voyager jusqu'à 7 mètres en ligne droite jusqu'à un angle de 45 degrés sur la droite ou la gauche de la ligne centrale de l'appareil.

3) Réglage (Réglage de l'horloge) (Fig. 6-8)

- ① Insérez les piles ou appuyez sur la touche ● CLOCK à l'aide d'un objet pointu. [CLOCK] (HORLOGE) Ⓐ et [:] Ⓑ clignotent.
- ② Appuyez sur la touche de réinitialisation RESET ● à l'aide d'un objet pointu.
- ③ Appuyez sur les touches de réglage ⏮ ⏭ pour régler l'heure. Appuyez sur la touche [DAY] pour régler le jour.
- ④ Pour terminer, appuyez sur la touche ● CLOCK à l'aide d'un objet pointu. [CLOCK] (HORLOGE) et [:] s'allument.

4) Mode initial

Les réglages suivants peuvent être faits dans le mode de réglage initial.

Point de réglage	Réglage	Fig. 6-10
Unité de température	°C/°F	Ⓐ
Affichage de l'heure	Format 12 heures/Format 24 heures	Ⓑ
Mode AUTO	Point de réglage unique/Point de réglage double	Ⓒ
N° de paire	0-3	Ⓓ
Rétro-éclairage	Marche/arrêt	Ⓔ

4-1. Passage en mode de réglage initial

1. Appuyez sur la touche [*] ① pour arrêter le climatiseur.
2. Appuyez sur la touche [MENU] ②. L'écran Réglage des fonctions s'affiche et le n° de la fonction Ⓐ clignote. (Fig. 6-9) Appuyez sur la touche ⏮ ⏭ ④ pour changer le n° de fonction.
3. Vérifiez que la fonction n° "1" est affichée puis appuyez sur la touche [SET] ③. L'écran de réglage de l'affichage s'affiche. (Fig. 6-10)

4-2. Changement de l'unité de température Ⓐ

- Appuyez sur la touche [TEMP] ⑤. À chaque pression sur la touche [TEMP] ⑤, le réglage change entre C et °F. C : La température est affichée en degrés Celsius. °F : La température est affichée en degrés Fahrenheit.

4-3. Changement de l'affichage de l'heure Ⓑ

- Appuyez sur la touche [TIME] ⑥. À chaque pression sur la touche [TIME] ⑥, le réglage change entre 12:00^{AMP} et 24:00^{AMP}. 12:00 : L'heure est affichée au format 12 heures. 24:00 : L'heure est affichée au format 24 heures.

4-4. Changement du mode AUTO Ⓒ

- Appuyez sur la touche [] ⑦. À chaque pression sur la touche [] ⑦, le réglage change entre 1 et 2. 1 : Le mode AUTO fonctionne comme le mode automatique habituel. 2 : Le mode AUTO fonctionne en utilisant des points de réglage doubles.

4-5. Changement du n° de paire Ⓓ

- Appuyez sur la touche ⏮ ⏭ ④. À chaque pression sur la touche ⏮ ⏭ ④, le n° de paire 0-3 change.

Numéro de paire de la télécommande sans fil	Carte électronique d'appareil intérieur
0	Réglage Initial
1	Coupe J41
2	Coupe J42
3	Coupe J41, J42

4-6. Changement du réglage du rétro-éclairage Ⓔ

- Appuyez sur la touche [ON/OFF] ⑧. À chaque pression sur la touche [ON/OFF] ⑧, le réglage change entre on et off. on : Le rétroéclairage s'active lorsqu'une pression est exercée sur une touche. off : Le rétroéclairage ne s'active pas lorsqu'une pression est exercée sur une touche.

6. Installations électriques

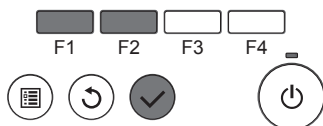
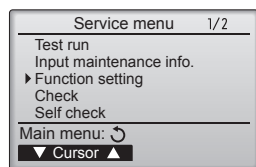


Fig. 6-11

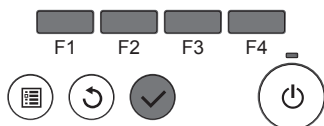
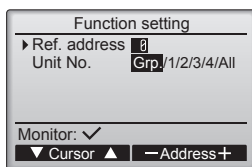


Fig. 6-12

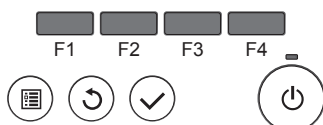
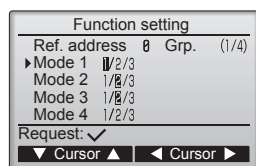


Fig. 6-13

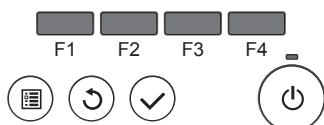
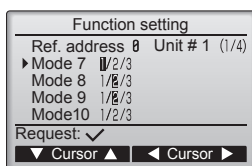


Fig. 6-14

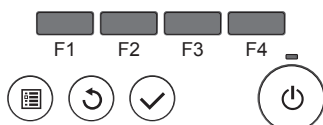
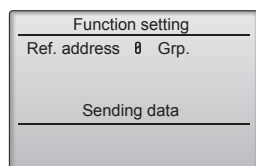


Fig. 6-15

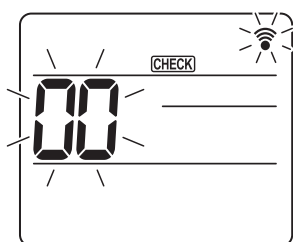


Fig. 6-16

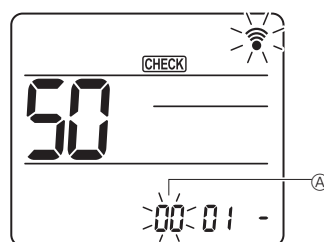


Fig. 6-17

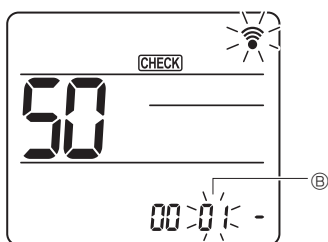


Fig. 6-18

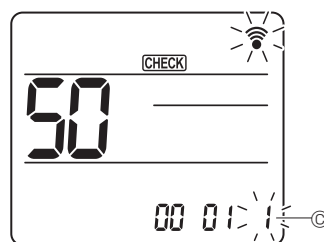


Fig. 6-19

6.3. Réglage des fonctions

6.3.1. À l'aide de la télécommande filaire

- ① (Fig. 6-11)
 - Sélectionnez "Service" dans le menu général puis appuyez sur la touche [CHOIX].
 - Sélectionnez "Function settings" (Réglage des fonctions) à l'aide du bouton [F1] ou [F2] puis appuyez sur le bouton [CHOIX].

- ② (Fig. 6-12)
 - Réglez les adresses de réfrigérant des unités intérieures et le nombre d'unités à l'aide des boutons [F1] à [F4], puis appuyez sur le bouton [CHOIX] pour valider le réglage actuel.

<Contrôle du No. Unité intérieure>

Une pression sur le bouton [CHOIX] démarre le ventilateur de l'unité intérieure. Si l'unité est commune, ou lorsque toutes les unités tournent, les ventilateurs de toutes les unités intérieures correspondant à l'adresse de réfrigérant démarrent.

- ③ (Fig. 6-13)
 - Une fois la collecte de données terminée depuis les appareils intérieurs, les réglages actuels apparaissent en surbrillance. Les éléments qui ne sont pas en surbrillance indiquent qu'aucune fonction n'est réglée. L'aspect de l'écran varie en fonction du réglage "N° unité".

- ④ (Fig. 6-14)
 - Utilisez le bouton [F1] ou [F2] pour déplacer le curseur pour sélectionner la valeur du mode, puis modifiez-le à l'aide du bouton [F3] ou [F4].

- ⑤ (Fig. 6-15)
 - Une fois les réglages terminés, appuyez sur le bouton [CHOIX] pour transmettre les données de réglage du contrôleur à distance aux unités intérieures.
 - Une fois la transmission terminée, l'écran Réglage des fonctions réapparaît.

6.3.2. À l'aide de la télécommande sans fil

- ① Accès au mode de sélection des fonctions
Appuyez sur la touche [MENU] pendant 5 secondes.
(Commencez cette opération lorsque l'affichage de la télécommande est éteint.) [CHECK] est allumé et "00" clignote. (Fig. 6-16)
Appuyez sur la touche [DOWN] pour régler "50".
Pointez la télécommande sans fil vers le récepteur de l'appareil intérieur, puis appuyez sur la touche [SET].

- ② Réglage du numéro d'appareil
Appuyez sur les touches [DOWN] pour régler le numéro d'appareil ①. (Fig. 6-17)
Pointez la télécommande sans fil vers le récepteur de l'appareil intérieur, puis appuyez sur la touche [SET].

- ③ Sélection d'un mode
Appuyez sur les touches [DOWN] pour régler le numéro de mode ②. (Fig. 6-18)
Pointez la télécommande sans fil vers le récepteur de l'appareil intérieur, puis appuyez sur la touche [SET].
Numéro du réglage actuel :
1 = 1 bip (1 seconde)
2 = 2 bips (1 seconde chacun)
3 = 3 bips (1 seconde chacun)

- ④ Sélection du numéro de réglage
Utilisez la touche [DOWN] pour changer le numéro de réglage ③. (Fig. 6-19)
Pointez la télécommande sans fil vers le récepteur de l'appareil intérieur, puis appuyez sur la touche [SET].

- ⑤ Pour sélectionner plusieurs fonctions à la suite
Répétez les sélections ③ et ④ pour modifier les réglages de plusieurs fonctions à la suite.

- ⑥ Fin de la sélection de fonction
Pointez la télécommande sans fil vers le capteur de l'appareil intérieur, puis appuyez sur la touche [OFF/ON].

Remarque :

Effectuez les réglages ci-dessus sur les appareils Mr. Slim si nécessaire.

- Le tableau 1 récapitule les options de réglage pour chaque numéro de mode.
- Notez bien les réglages pour toutes les fonctions si l'un des réglages initiaux a été modifié à la fin de la procédure d'installation.

6. Installations électriques

Tableau des fonctions (Tableau 1)

Sélectionner l'appareil numéro 00

Betriebsart	Paramètre	No. de Mode	No. de réglage	Réglage initial	Réglage
Restauration automatique après une coupure de courant	Non disponible	01	1		
	Disponible *1		2	O *2	
Détection de la température intérieure	Moyenne de fonctionnement de l'appareil intérieur	02	1	O	
	Réglée par la télécommande de l'appareil intérieur		2		
	Détecteur interne de la télécommande		3		
Connectivité LOSSNAY	Non supportée	03	1	O	
	Supportée (l'appareil intérieur n'est pas équipé d'une prise d'air extérieure)		2		
	Supportée (l'appareil intérieur est équipé d'une prise d'air extérieure)		3		
Tension d'alimentation	240 V	04	1		
	220 V, 230 V		2	O	

Sélectionner les appareils numéro 01 à 03 ou tous les appareils (AL [télécommande avec fil] / 07 [télécommande sans fil])

Betriebsart	Paramètre	No. de Mode	No. de réglage	Réglage initial	Réglage
Signe du filtre	100 heures	07	1		
	2500 heures		2	O	
	Pas d'indicateur de signe du filtre		3		
Vitesse du ventilateur	Silencieux (plafond bas)	08	1		
	Standard		2	O	
	Plafond haut		3		
No. de sorties d'air	4 directions	09	1	O	
	3 directions		2		
	2 directions		3		
Options installées (filtre à haute efficacité)	Non supporté	10	1	O	
	Supporté		2		
Réglage haut/bas des volets	Réglage vers le bas (Réglage de l'angle des ailettes ③)	11	1		
	Installation médiane (Réglage de l'angle des ailettes ①)		2		
	Réglage sans courant d'air (Réglage de l'angle des ailettes ②)		3	O	
Vitesse du ventilateur lorsque le thermostat de chauffage est coupé (OFF)	Réglage de la vitesse du ventilateur	27	1		
	Arrêt		2		
	Très basse		3	O	

*1 Une fois l'alimentation rétablie, le climatiseur redémarre après 3 minutes.

*2 La configuration initiale de la restauration automatique en cas de coupure d'électricité dépend du branchement de l'appareil extérieur.

7. Marche d'essai

7.1. Avant la marche d'essai

- ▶ Lorsque l'installation, le tuyautage et le câblage des appareils intérieur et extérieur sont terminés, vérifier l'absence de fuites de réfrigérant, la fixation des câbles d'alimentation et de commande, l'absence d'erreur de polarité et contrôler qu'aucune phase de l'alimentation n'est déconnectée.
- ▶ Utiliser un mégohm-mètre de 500V pour s'assurer que la résistance entre les bornes d'alimentation électrique et la terre soit au moins de 1,0 MΩ.

- ▶ Ne pas effectuer ce test sur les terminaux des câbles de contrôle (circuit à basse tension).

⚠ **Avertissement:**

- ▶ Ne pas utiliser le climatiseur si la résistance de l'isolation est inférieure à 1,0 MΩ.

7.2. Marche d'essai

7.2.1. Utilisation de la télécommande filaire

- Lisez attentivement le manuel d'utilisation avant le test fonctions. (En particulier les rubriques relatives à la sécurité)

Étape 1 Mettez sous tension.

- Télécommande: le système se met en mode de démarrage et le témoin d'alimentation de la télécommande (vert) et le message "PLEASE WAIT" (Veuillez patienter) clignotent. Tant que la lampe et le message clignotent, la télécommande ne peut pas être utilisée. Attendez que le message "PLEASE WAIT" (Veuillez patienter) ne soit plus affiché avant d'utiliser la télécommande. Après la mise sous tension, le message "PLEASE WAIT" (Veuillez patienter) s'affiche pendant environ 2 minutes.
 - Panneau du contrôleur intérieur: LED 1 est allumé, LED 2 est allumé (si l'adresse est 0) ou éteint (si l'adresse n'est pas 0), et LED 3 clignote.
 - Panneau du contrôleur extérieur: LED 1 (vert) et LED 2 (rouge) sont allumés. (Une fois le démarrage du système terminé, LED 2 s'éteint.) Si le panneau du contrôleur extérieur dispose d'un affichage numérique, [-] et [-] s'affichent alternativement, à intervalle d'une seconde.
- Si le système ne fonctionne pas correctement après exécution des procédures de l'étape 2 et suivantes, les causes suivantes doivent être recherchées et corrigées le cas échéant.
(Les symptômes ci-dessous se produisent en mode de test fonctions. "Startup" (Démarrage) dans le tableau se réfère à l'affichage LED mentionné plus haut.)

Symptômes en mode de test fonctions		
Affichage de la télécommande	Affichage LED PANNEAU EXTERIEUR < > indique affichage numérique.	Cause
La télécommande affiche "PLEASE WAIT" (Veuillez patienter) et est inutilisable.	Après affichage de "startup" (démarrage), seul le témoin vert s'allume. <00>	• Après mise sous tension, "PLEASE WAIT" (Veuillez patienter) est affiché pendant 2 minutes pendant le démarrage du système. (Normal)
Après mise sous tension, "PLEASE WAIT" (Veuillez patienter) est affiché pendant 3 minutes puis un code d'erreur s'affiche.	Après affichage de "startup" (démarrage), les témoins vert (une fois) et rouge (une fois) clignotent en alternance. <F1>	• Mauvaise connexion du bloc de sorties extérieur (R, S, T et S ₁ , S ₂ , S ₃ .)
	Après affichage de "startup" (démarrage), les témoins vert (deux fois) et rouge (deux fois) clignotent en alternance. <F3, F5, F9>	• Le connecteur du dispositif de protection de l'appareil extérieur est ouvert.
Rien ne s'affiche même lorsque la télécommande est activée. (Le témoin de fonctionnement ne s'allume pas.)	Après affichage de "startup" (démarrage), les témoins vert (deux fois) et rouge (une fois) clignotent en alternance. <EA, Eb>	• Câblage Incorrect entre l'appareil intérieur et l'appareil extérieur (mauvaise polarité pour S ₁ , S ₂ , S ₃ .)
	Après affichage de "startup" (démarrage), seul le témoin vert s'allume. <00>	• Court-circuit du fil de transmission de la télécommande.
L'affichage apparaît mais s'efface rapidement même lorsque la télécommande est utilisée.	Après affichage de "startup" (démarrage), seul le témoin vert s'allume. <00>	• Il n'y a pas d'appareil extérieur dont l'adresse est 0. (L'adresse est autre que 0.)
		• Circuit du fil de transmission de la télécommande ouvert.
		• Après utilisation de la fonction d'annulation, toute utilisation est impossible pendant environ 30 secondes. (Normal)

Étape 2 Placez la télécommande sur "Test run" (Test fonctions).

- ① Dans le Menu SAV, sélectionnez "Test run" (Test fonctions) puis appuyez sur la touche [CHOIX]. (Fig. 7-1)
- ② Dans le Menu test de fonctionnement, sélectionnez "Test run" (Test fonctions) puis appuyez sur la touche [CHOIX]. (Fig. 7-2)
- ③ Le test fonctions démarre et l'écran Test fonctions s'affiche.

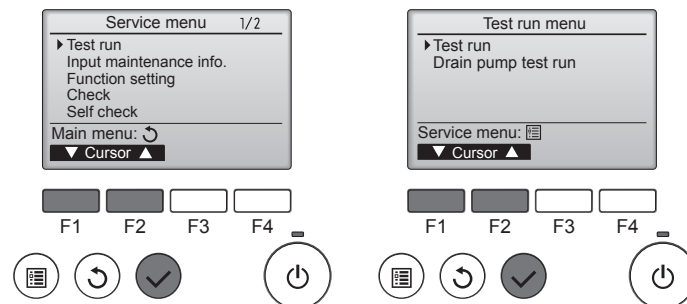


Fig. 7-1

Fig. 7-2

Étape 3 Effectuez le test fonctions et vérifiez la température du courant d'air et le volet automatique.

- ① Appuyez sur la touche [F1] pour changer de mode de fonctionnement. (Fig. 7-3)
Mode de refroidissement: vérifiez si la soufflerie souffle de l'air froid.
Mode de chauffage: vérifiez si la soufflerie souffle de l'air chaud.
- ② Appuyez sur la touche [CHOIX] pour afficher l'écran de fonctionnement du volet puis appuyez sur les touches [F1] et [F2] pour contrôler le volet automatique. (Fig. 7-4)
Appuyez sur la touche [RETOUR] pour revenir à l'écran Test fonctions.

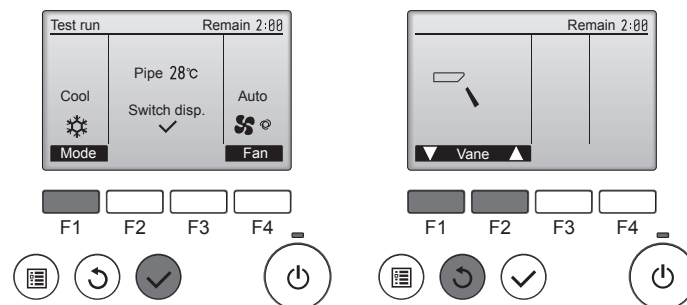


Fig. 7-3

Fig. 7-4

7. Marche d'essai

Étape 4 Vérifiez le fonctionnement du ventilateur de l'appareil extérieur.

La vitesse du ventilateur de l'appareil extérieur est commandée de manière à contrôler les performances de l'appareil. En fonction de la température de l'air ambiant, le ventilateur tournera à faible vitesse et continuera à tourner à cette vitesse à moins que les performances ne soient insuffisantes. Par conséquent, le vent extérieur peut provoquer l'arrêt du ventilateur, ou sa rotation en sens inverse, mais ceci ne constitue pas un problème.

Étape 5 Arrêtez le test fonctions.

① Appuyez sur la touche [MARCHE/ARRÊT] pour arrêter le test fonctions. (Le Menu test de fonctionnement s'affiche.)

Remarque: si une erreur s'affiche sur la télécommande, voir le tableau ci-dessous.

LCD	Description du dysfonctionnement	LCD	Description du dysfonctionnement	LCD	Description du dysfonctionnement
P1	Erreur du capteur d'admission	P9	Erreur du capteur sur tuyaux (tuyau à paroi double)	E0 – E5	Erreur de communication entre la télécommande et l'appareil intérieur
P2	Erreur du capteur sur tuyaux (tuyau de liquide)	PA	Erreur de fuite (système de réfrigérant)		
P4	Connecteur de l'interrupteur à flotteur d'écoulement déconnecté (CN4F)	Pb	Erreur du moteur de l'appareil intérieur		
P5	Sécurité d'écoulement et de trop-plein activée	PL	Circuit de réfrigérant anormal	E6 – EF	Erreur de communication entre l'appareil intérieur et l'appareil extérieur
P6	Protection contre le gel/la surchauffe activée	FB	Erreur du panneau du contrôleur intérieur		
P8	Erreur de température des tuyaux	U*, F* (* représente un caractère alphanumérique sauf FB.)	Dysfonctionnement de l'appareil extérieur. Référez-vous au diagramme de câblage de l'appareil extérieur.		

Voir le tableau ci-dessous pour les détails de l'affichage LED (LED 1, 2 et 3) du panneau du contrôleur intérieur.

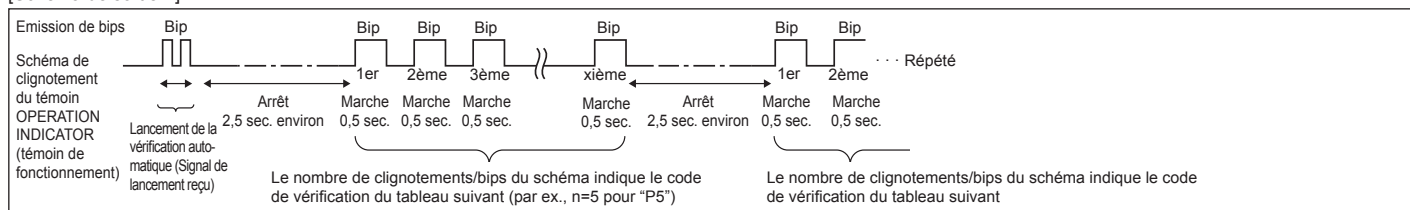
LED 1 (alimentation du micro-ordinateur)	Indique si l'alimentation est fournie au contrôleur. Ce témoin doit toujours être allumé.
LED 2 (alimentation de la télécommande)	Indique si l'alimentation est fournie à la télécommande filaire. Ce témoin s'allume uniquement pour l'appareil intérieur raccordé à l'appareil extérieur dont l'adresse est 0.
LED 3 (communication entre les appareils intérieur et extérieur)	Indique si les appareils intérieur et extérieur communiquent. Ce témoin doit toujours clignoter.

7.3. Auto-vérification

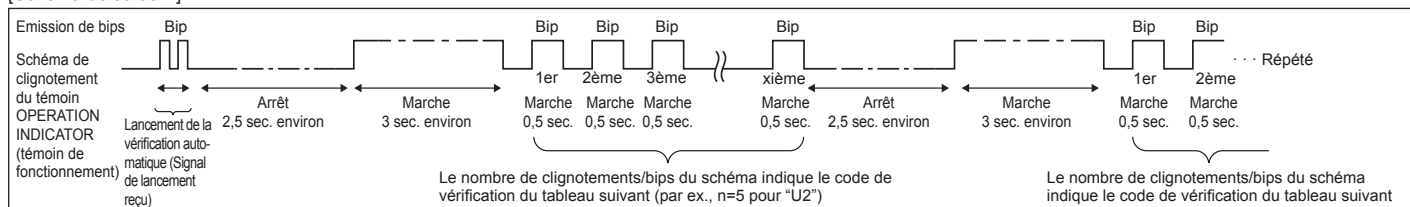
■ Pour en savoir plus, consultez le manuel d'installation fourni avec chaque télécommande.

• Consultez les tableaux suivants pour obtenir de plus amples informations sur les codes de vérification. (Télécommande sans fil)

[Schéma de sortie A]



[Schéma de sortie B]



7. Marche d'essai

[Schéma de sortie A] Erreurs détectées par l'appareil intérieur

Télécommande sans fil	Télécommande filaire	Symptôme	Remarque
Emission de bips/clignotements du témoin OPERATION INDICATOR (Nombre de fois)	Code de vérification		
1	P1	Erreur du capteur d'admission	
2	P2	Erreur du capteur sur tuyaux (TH2)	
	P9	Erreur du capteur sur tuyaux (TH5)	
3	E6, E7	Erreur de communication de l'appareil intérieur/extérieur	
4	P4	Erreur du capteur d'écoulement / Connecteur de l'interrupteur à flotteur ouvert	
5	P5	Erreur de la pompe d'écoulement	
	PA	Erreur du compresseur à circulation forcée	
6	P6	Fonctionnement du dispositif de protection en cas de gel/surchauffe	
7	EE	Erreur de communication entre les appareils intérieur et extérieur	
8	P8	Erreur de température des tuyaux	
9	E4	Erreur de réception du signal de la télécommande	
10	—	—	
11	Pb	Erreur du moteur de l'appareil intérieur	
12	Fb	Erreur du système de contrôle de l'appareil intérieur (erreur de mémoire, etc.)	
14	PL	Circuit de réfrigérant anormal	
Aucun son	E0, E3	Erreur de transmission de la télécommande	
Aucun son	E1, E2	Erreur du panneau du contrôleur de la télécommande	
Aucun son	— — — —	Aucun	

[Schéma de sortie B] Erreurs détectées par un appareil autre que l'appareil intérieur (appareil extérieur, etc.)

Télécommande sans fil	Télécommande filaire	Symptôme	Remarque
Emission de bips/clignotements du témoin OPERATION INDICATOR (Nombre de fois)	Code de vérification		
1	E9	Erreur de communication de l'appareil intérieur/extérieur (Erreur de transmission) (Appareil extérieur)	Pour de plus amples informations, contrôlez l'écran LED du panneau du contrôleur extérieur.
2	UP	Interruption due à la surintensité du compresseur	
3	U3, U4	Circuit ouvert/court-circuit des thermistances de l'appareil extérieur	
4	UF	Interruption due à la surintensité du compresseur (Quand compresseur verrouillé)	
5	U2	Température de décharge anormalement élevée/fonctionnement de 49C/réfrigérant insuffisant	
6	U1, Ud	Pression anormalement élevée (Fonctionnement de 63H)/Fonctionnement du dispositif de protection en cas de surchauffe	
7	U5	Température anormale de la source de froid	
8	U8	Arrêt du dispositif de protection du ventilateur de l'appareil extérieur	
9	U6	Interruption due à la surintensité du compresseur/Module d'alimentation anormal	
10	U7	Surchauffe anormale due à une température de décharge basse	
11	U9, UH	Anomalies telles que surtension ou sous-tension et signal synchronisé anormal vers le circuit principal/Erreur du capteur d'intensité	
12	—	—	
13	—	—	
14	Autres	Autres erreurs (Consultez le manuel technique de l'appareil extérieur.)	

*1 Si l'émetteur de bips ne sonne plus suite aux deux bips initiaux pour confirmer que le signal de lancement de la vérification automatique a été reçu et si le témoin OPERATION INDICATOR (témoin de fonctionnement) ne s'allume pas, ceci signifie qu'aucune erreur n'a été enregistrée.

*2 Si l'émetteur de bips sonne trois fois de suite "bip, bip, bip (0,4 + 0,4 + 0,4 sec.)", après les deux bips initiaux pour confirmer que le signal de lancement de la vérification automatique a été reçu, ceci signifie que l'adresse du réfrigérant spécifié est incorrecte.

- Sur la télécommande sans fil
La sonnerie continue est déclenchée dans la section de réception de l'appareil intérieur.
Clignotement du témoin de fonctionnement
- Sur la télécommande filaire
Code de vérification affiché à l'écran LCD.

7. Marche d'essai

- Si vous ne parvenez pas à faire fonctionner l'appareil correctement après avoir mené à bien le test d'essai indiqué ci-dessus, consulter le tableau suivant pour en trouver la cause éventuelle.

Symptôme		Cause	
Télécommande filaire		Témoin 1, 2 (circuit de l'appareil extérieur)	
PLEASE WAIT	Pendant environ 2 minutes après la mise sous tension.	Après que LED 1 et LED 2 se sont allumées, LED 2 s'éteint et seule LED 1 reste allumée. (Fonctionnement correct).	• Pendant environ deux minutes après la mise sous tension, il n'est pas possible d'utiliser la télécommande à cause du démarrage du système (Fonctionnement correct).
PLEASE WAIT → Code d'erreur	Après un délai d'environ deux minutes suivant la mise sous tension.	Seule LED 1 est allumée. → LED 1 et 2 clignotent.	• Le connecteur pour le dispositif de protection de l'appareil extérieur n'est pas raccordé. • Câblage inversé ou en phase ouverte pour le bloc d'alimentation de l'appareil extérieur (L1, L2, L3)
Aucun message n'est affiché même lorsque l'interrupteur de fonctionnement est sur ON (le témoin de fonctionnement ne s'allume pas).		Seule LED 1 est allumée. → LED 1 clignote deux fois, LED 2 clignote une fois.	• Câblage incorrect entre les appareils intérieur et extérieur (polarité incorrecte de S1, S2, S3) • Court-circuit de la télécommande

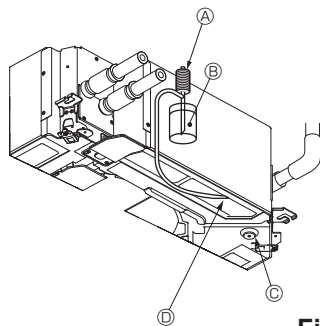
Sur la télécommande sans fil, avec les problèmes susmentionnés, il se passe ce qui suit :

- Aucun signal de la télécommande n'est accepté.
- Le témoin OPERATION clignote.
- La sonnerie émet un son court et aigu.

Remarque :

Son utilisation n'est pas possible pendant 30 secondes après l'annulation de la sélection de fonction (Fonctionnement correct).

Pour consulter la description de chaque LED (LED 1, 2, 3) fournie sur le panneau du contrôleur intérieur, voir page 53.



- Ⓐ Pompe d'arrivée d'eau
 - Ⓑ Eau (environ 1000 cc)
 - Ⓒ Bouchon de vidange
 - Ⓓ Verser l'eau à travers le conduit
- Veiller à ne pas éclabousser d'eau dans le mécanisme de la pompe d'écoulement.

Fig. 7-5

7.4. Vérification de l'écoulement (Fig. 7-5)

- S'assurer de l'écoulement correct de l'eau et de la bonne étanchéité des joints.
- Une fois l'installation électrique terminée.**
- Verser de l'eau pendant le fonctionnement en mode de refroidissement de la marche d'essai (voir 7.2.) et vérifier.
- Si l'installation électrique n'est pas terminée.**
- Verser de l'eau pendant le fonctionnement en urgence et vérifier.
 - * Le bac de récupération et le ventilateur sont activés simultanément lorsque les bornes S1 et S2 sont activées avec un courant monophasé de 220-240 V après le réglage sur ON du connecteur (SWE) sur la carte de commande du boîtier électrique.

Veiller à rétablir l'état précédent à la fin des travaux.

8. Contrôle du système

Consulter le manuel d'installation de l'appareil extérieur.

9. Installer la grille

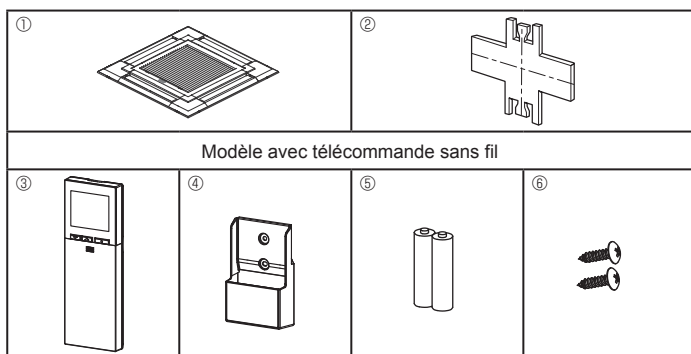


Fig. 9-1

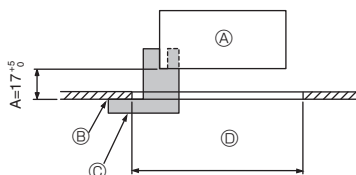


Fig. 9-2

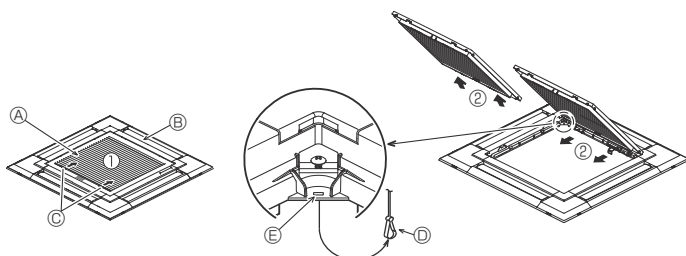


Fig. 9-3

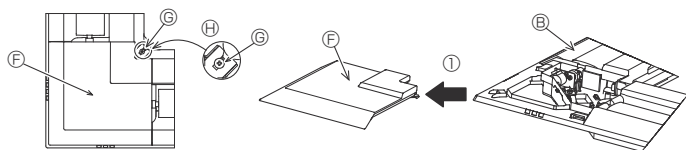


Fig. 9-4

	4 directions	3 directions
Systèmes de direction de la soufflerie	1 système: réglage d'usine 	4 systèmes: une sortie d'air entièrement fermée
Systèmes de direction de la soufflerie	2 directions 	6 systèmes: deux sorties d'air entièrement fermées

Tableau 1

<Crochet en position relevée>

<Crochet en position abaissée>



Fig. 9-5

9.1. Vérification du contenu (Fig. 9-1)

- Ce kit contient ce manuel et les pièces suivantes.

	Nom de l'accessoire	Qté	Observations
①	Grille	1	950 × 950 (mm)
②	Schéma d'installation	1	(divisé en 4 parties)
③	Télécommande sans fil	1	pour PLP-6EALM
④	Support de la télécommande	1	Fournie s'il s'agit d'un modèle avec télécommande sans fil.
⑤	Piles LR6 AA	2	Fournie s'il s'agit d'un modèle avec télécommande sans fil.
⑥	Vis autotaraudeuses 3,5 × 16	2	Fournie s'il s'agit d'un modèle avec télécommande sans fil.

9.2. Préparation avant d'attacher la grille (Fig. 9-2)

- À l'aide de la jauge ② fournie avec ce kit, ajustez et vérifiez la position de l'appareil principal par rapport au plafond. Si l'appareil principal n'est pas correctement positionné par rapport au plafond, des fuites d'air peuvent se produire et provoquer un phénomène de condensation.
- Vous assurer que l'ouverture dans le plafond se trouve dans les tolérances suivantes: 860 × 860 - 910 × 910
- S'assurer que le point A s'effectue dans une fourchette allant de 17 à 22 mm. Le non respect de cette marge pourrait être à l'origine de certains dégâts.
 - Ⓐ Appareil principal
 - Ⓒ Surface du plafond
 - Ⓓ Schéma d'installation ② (inséré dans l'appareil principal)
 - Ⓔ Dimensions de l'ouverture dans le plafond

9.2.1. Retrait de la grille d'admission (Fig. 9-3)

- Pour ouvrir la grille d'admission, faire glisser les leviers dans le sens indiqué par la flèche ①.
- Défaire le crochet qui sert à fixer la grille.
 - * Ne pas décrocher le crochet de la grille d'admission.
- Lorsque la grille se trouve en position "ouverte", retirer la charnière de la grille d'admission comme indiqué par la flèche ②.

9.2.2. Retrait du panneau en coin (Fig. 9-4)

- Dévissez les 4 vis de coin. Pour retirer le panneau, faites-le glisser dans le sens indiqué par la flèche ①.

[Fig.9-3] [Fig.9-4]

- Ⓐ Grille d'admission
- Ⓒ Grille ①
- Ⓓ Leviers de la grille d'admission
- Ⓔ Crochet de la grille
- Ⓕ Orifice pour le crochet de la grille
- Ⓖ Panneau en coin
- Ⓗ Vis
- Ⓖ Détail

9.3. Sélection des sorties d'air

Pour cette grille, le sens d'expulsion de l'air peut être réglé de onze manières différentes. De plus, en réglant la télécommande sur les programmes appropriés, il est possible d'ajuster le flux d'air et la vitesse. Sélectionner les réglages nécessaires dans le Tableau 1 en fonction de l'endroit où vous souhaitez installer l'appareil. (Plus de deux directions doivent être sélectionnées.)

- Décider du sens d'expulsion.
- Veillez à régler correctement la télécommande en fonction du nombre de sorties d'air et de la hauteur du plafond au niveau duquel l'appareil sera installé. (Voir page 51.)

Remarque :

- Pour modifier le nombre de directions, un volet obturateur de sortie d'air en option est nécessaire.
- Ne sélectionnez pas 2 directions dans un environnement chaud et humide. (Des gouttes de condensation se formeraient.)

9.4. Installer la grille

9.4.1. Préparatifs (Fig. 9-5)

Veillez à ouvrir 2 crochets de la grille en les relevant.

9. Installer la grille

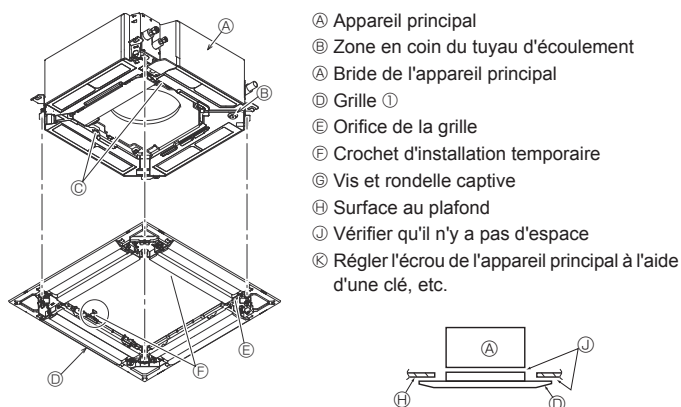


Fig. 9-6

< Grille installée provisoirement >

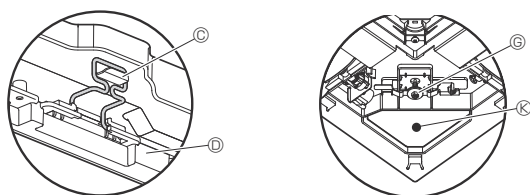


Fig. 9-7

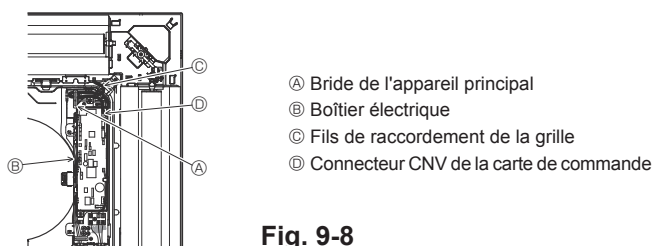


Fig. 9-8

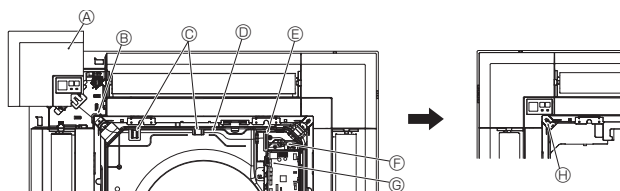


Fig. 9-9

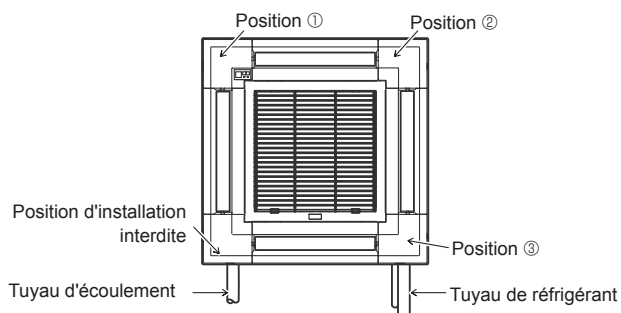


Fig. 9-10

9.4.2. Mise en place provisoire de la grille (Fig. 9-6)

- Positionnez la zone en coin du tuyau d'écoulement de l'appareil principal sur le coin de la grille présentant un orifice et fixez-les provisoirement en plaçant le crochet de la grille sur la bride de l'appareil principal.

9.4.3. Fixation de la grille

- Fixez la grille sur l'appareil principal en serrant les vis mises en place au préalable. (Fig. 9-6)
- Remarque :
- Vérifiez qu'il n'y a pas d'espace entre l'appareil principal et la grille ou entre la grille et la surface du plafond. (Fig. 9-6)

En présence d'un espace entre la grille et le plafond :

Lorsque la grille est en place, réglez légèrement la hauteur de l'appareil principal pour supprimer tout espace vide.

⚠ Attention :

- Veillez à utiliser un couple de 2,8 N·m à 3,6 N·m pour serrer la vis. N'utilisez jamais un tournevis à frapper.
- Après avoir serré la vis, vérifiez que les deux crochets de la grille (Fig. 9-6) sont en prise avec les crochets de l'appareil principal.

9.4.4. Raccordement des câbles (Fig. 9-8)

- Desserrez les 2 vis de fixation du couvercle du boîtier électrique de l'appareil principal et ouvrez le couvercle.
- Acheminez le fil de raccordement depuis le côté du boîtier électrique.
- Veillez à raccorder le connecteur du moteur des ailettes (blanc, 20 pôles) au connecteur CNV (blanc) de la carte de commande de l'appareil principal.
- Les fils de sortie de la grille doivent être tendus et attachés ensemble à l'aide d'un collier sur le boîtier électrique.

9.4.5. Installation du récepteur de signaux (Fig. 9-9)

- Acheminez le fil de raccordement (blanc, 9 pôles) du panneau d'angle du récepteur de signaux depuis le côté du boîtier électrique de l'appareil principal.
- Veillez à raccorder au connecteur CN90 (blanc) de la carte de commande.
- Veillez à ce que le fil de raccordement du panneau d'angle du récepteur de signaux passe bien dans la bride d'admission.
- Les fils de raccordement restant doivent être tendus et attachés ensemble à l'aide d'un collier sur le boîtier électrique.
- Remplacez le couvercle sur le boîtier électrique à l'aide de 2 vis.

Remarque :

Veillez à ne pas coincer les fils dans le couvercle du boîtier électrique.

Posez le panneau d'angle du récepteur de signaux sur le panneau et fixez-le avec la vis.

Le panneau d'angle du récepteur de signaux ne peut en aucun cas être installé du côté du tuyau d'écoulement de l'appareil principal. (Se reporter à la Fig. 9-10)

- (A) Panneau d'angle du récepteur de signaux
 (B) Trou de la grille (Passer le fil.)
 (C) Bride d'admission
 (D) Câble
 (E) Collier
 (F) Attache-câble (Fixer le fil.)
 (G) Connecteur CN90 de la carte de commande
 (H) Vis

9. Installer la grille

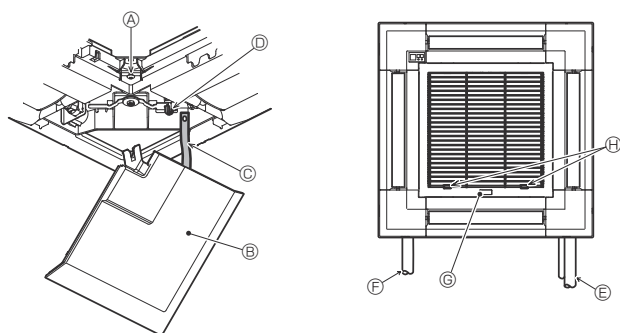


Fig. 9-11

9.5. Installation de la grille d'aspiration (Fig. 9-11)

Remarque :

Lors de la réinstallation des panneaux d'angle (tous munis d'une attache de sécurité), raccordez l'autre extrémité de chaque attache de sécurité à la grille comme illustré.

* Si les panneaux d'angle ne sont pas fixés correctement, ils risquent de tomber lorsque l'appareil principal fonctionne.

- Suivez la procédure décrite à la section "9.2. Préparatifs préalables à la fixation de la grille" dans l'ordre inverse pour installer la grille d'aspiration et le panneau d'angle.
- La direction de la grille d'admission peut être modifiée pour répondre au souhait du client.

- Ⓐ Vis (4 × 16)
- Ⓑ Panneau d'angle
- Ⓒ Attache de sécurité
- Ⓓ Crochet
- Ⓔ Tuyau de réfrigérant
- Ⓕ Tuyau d'écoulement
- Ⓖ Logo de la société

* L'installation est possible dans toutes les positions.

Ⓗ Position initiale des leviers sur la grille d'admission

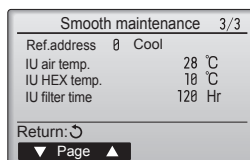
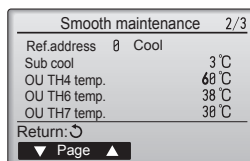
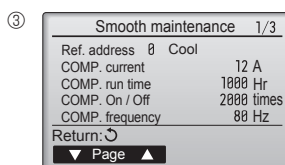
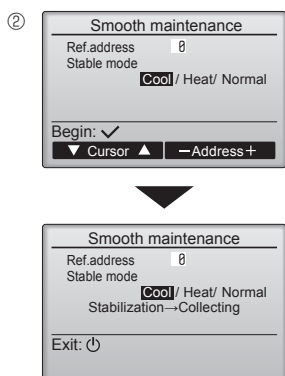
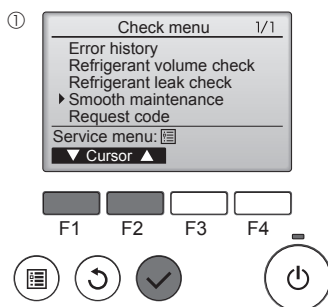
* Bien que les agrafes puissent être installées dans n'importe laquelle des 4 positions, la configuration présentée ici est recommandée. (Il n'est pas nécessaire de retirer la grille d'admission pour l'entretien du boîtier électrique de l'appareil principal.)

10. Fonction d'entretien aisé

Les données de maintenance, telles que la température de l'échangeur thermique et le courant de fonctionnement du compresseur de l'appareil intérieur/extérieur, peuvent être affichées à l'aide de la fonction "Smooth maintenance" (Entretien facile).

* Ceci ne peut pas être effectué en mode d'essai.

* En fonction de la combinaison avec l'appareil extérieur, ceci peut ne pas être pris en charge par certains modèles.



- Sélectionnez "Service" dans Main menu (menu général) puis appuyez sur la touche [CHOIX].
- Sélectionnez "Check" (Vérif.) à l'aide de la touche [F1] ou [F2] puis appuyez sur la touche [CHOIX].
- Sélectionnez "Smooth maintenance" (Entretien facile) à l'aide de la touche [F1] ou [F2] puis appuyez sur la touche [CHOIX].

Sélectionnez chaque élément

- Sélectionnez l'élément à modifier à l'aide de la touche [F1] ou [F2].
 - Sélectionnez le réglage requis à l'aide de la touche [F3] ou [F4].
- Réglage "Ref. address" (Adresse réf.)..... "0" - "15"
 Réglage "Stable mode" (Mode stable) "Cool" (Froid) / "Heat" (Chaud) / "Normal"
- Appuyez sur la touche [CHOIX], le fonctionnement stable démarre.
 - * Stable mode (mode Stable) prend environ 20 minutes.

Les données de fonctionnement apparaissent.

La durée cumulative de fonctionnement du compresseur (COMP. run) est exprimée en unités de 10 heures, et le nombre de cycles marche/arrêt (COMP. On/Off) en unités de 100 fois (sans fractions).

Naviguer dans les écrans

- Pour revenir au Menu général..... Touche [MENU]
- Pour revenir à l'écran précédent Touche [RETOUR]

Inhoud

1. Veiligheidsvoorschriften.....	59	6. Elektrische aansluitingen.....	65
2. Plaats	60	7. Proefdraaien.....	71
3. Het binnenapparaat installeren	61	8. Het systeem controleren	74
4. Installeren van de koelstofleidingen	63	9. Het rooster installeren	75
5. Installatie van Draineerbuizen.....	64	10. Functie voor gemakkelijk onderhoud.....	77

Opmerking:





De term "Bedrade afstandsbediening" in deze handleiding refereert aan de PAR-32MAA.

Zie de installatiehandleiding of handleiding voor de basisinstellingen die bij deze dozen zijn geleverd voor meer informatie over de andere afstandsbediening.

1. Veiligheidsvoorschriften

- ▶ Lees alle "Veiligheidsvoorschriften" voordat u het apparaat installeert.
- ▶ In de "Veiligheidsvoorschriften" staan belangrijke instructies met betrekking tot de veiligheid. Volg ze zorgvuldig op.
- ▶ Informeer de energieleverancier of vraag de energieleverancier om toestemming voordat u deze apparatuur aansluit op de stroomvoorziening.

BETEKENIS VAN SYMBOLEN OP HET APPARAAT

	WAARSCHUWING (Brandgevaar)	Dit symbool geldt alleen voor het koelmiddel R32. Het type koelmiddel is te vinden op het typeplaatje van de buitenunit. Als het type koelmiddel R32 is, gebruikt dit apparaat een ontvlambaar koelmiddel. Als er koelmiddel lekt en dit in contact komt met vuur of een warmtebron, ontstaat er een schadelijk gas en bestaat er brandgevaar.
	Lees de BEDIENINGSHANDLEIDING zorgvuldig vóór ingebruikname.	
	Onderhoudsmonteurs zijn verplicht om de BEDIENINGSHANDLEIDING en de INSTALLATIEHANDLEIDING zorgvuldig te lezen vóór ingebruikname.	
	Raadpleeg voor meer informatie de BEDIENINGSHANDLEIDING , de INSTALLATIEHANDLEIDING en dergelijke.	

Symbolen die in de tekst worden gebruikt

⚠ Waarschuwing:

Beschrijft maatregelen die genomen moeten worden om het risico van verwonding of dood van de gebruiker te voorkomen.

⚠ Voorzichtig:

Beschrijft maatregelen die genomen moeten worden om schade aan het apparaat te voorkomen.

⚠ Waarschuwing:

- Lees de stickers die op het apparaat zitten zorgvuldig.
- Vraag de dealer of een bevoegd monteur het apparaat te installeren, repareren en te verplaatsen.
- De gebruiker dient zich te onthouden van pogingen het apparaat te repareren of te verplaatsen naar een andere locatie.
- Pas het apparaat niet aan.
- Voor installatie- en verplaatsingswerkzaamheden volgt u de instructies in de installatiehandleiding en gebruikt u gereedschap en pijpmateriaal dat speciaal gemaakt is voor gebruik met het koelmiddel dat in de installatiehandleiding van de buitenunit is opgegeven.
- Het apparaat dient volgens de instructies te worden geïnstalleerd om het risico op beschadiging bij een aardbeving of storm te beperken. Een onjuist geïnstalleerd apparaat kan vallen en schade of letsel veroorzaken.
- Het apparaat moet worden geïnstalleerd op een constructie die het gewicht ervan kan dragen.
- Bewaar het apparaat in een goed geventileerde ruimte waarvan de afmetingen overeenkomen met het oppervlak dat voor gebruik is voorgeschreven.
- Als de airconditioner in een kleine of afgesloten ruimte wordt geïnstalleerd, moeten maatregelen worden genomen tegen het weglekken van koelmiddel en de concentratie weggelekt koelmiddel in de lucht mag de grenswaarden niet overschrijden. Als er koelstof weglegt en de concentratie koelstof de veiligheidsgrenzen overschrijdt, kunnen er gevaarlijke situaties ontstaan ten gevolge van zuurstofgebrek in de ruimte.
- Houd gastoestellen, elektrische verwarmingstoestellen en andere brandhaarden (ontstekingsbronnen) uit de buurt van de plaats waar installatie-, reparatie- en andere werkzaamheden aan de airconditioner worden uitgevoerd. Als koelmiddel met vuur in contact komt, komen er giftige gassen vrij.
- Ventileer de ruimte als er koelstof weglegt wanneer het apparaat in werking is. Als de koelstof in contact komt met vuur, komen giftige gassen vrij.
- Al het elektrische werk moet worden uitgevoerd door een gekwalificeerd monteur in overeenstemming met de lokale regelgeving en de instructies in deze handleiding.
- Gebruik uitsluitend de gespecificeerde kabels voor het verbinden. De aansluitingen moeten stevig vastzitten zonder druk op de aansluitpunten. Splits de kabels nooit voor het bedraden (tenzij in deze handleiding anders wordt aangegeven). Het niet opvolgen van deze aanwijzingen kan leiden tot oververhitting of brand.
- Bij het installeren, verplaatsen of onderhouden van het apparaat dient u voor het vullen van de koelstofpijpen uitsluitend gebruik te maken van de koelstof die op de buitenunit is gespecificeerd. Meng de koelstof niet met andere koelstoffen en let erop dat er geen lucht in de pijpen achterblijft. Als de koelstof wordt gemengd met lucht, kan dit een uitzonderlijk hoge druk in de koelstofpijp tot gevolg hebben. Dit kan resulteren in explosiegevaar en andere gevaren.

Symbolen die in de afbeeldingen worden gebruikt

⚠ : Geeft een onderdeel aan dat geaard moet worden.

⊘ : Beslist niet doen.

Informeer de klant na voltooiing van de installatie over de "Veiligheidsvoorschriften", het gebruik en het onderhoud van het apparaat en laat het apparaat proefdraaien om de werking ervan te controleren. Zowel de installatie- als de gebruikershandleiding dienen ter bewaring aan de gebruiker te worden gegeven. Deze handleidingen dienen te worden doorgegeven aan latere gebruikers.

- Als er een andere koelstof wordt gebruikt dan de voorgeschreven koelstof, heeft dit mechanische storingen, storingen van het systeem of uitval van het apparaat tot gevolg. In het ergste geval kan de veiligheid van het product ernstig in gevaar komen.
- Installeer het apparaat conform de nationaal geldende regels.
- Dit apparaat mag niet worden gebruikt door personen (met inbegrip van kinderen) met verminderde lichamelijke, zintuiglijke of geestelijke vermogens, of met een gebrek aan ervaring of kennis, tenzij ze bij het gebruik van het apparaat onder toezicht of instructie staan van een persoon die verantwoordelijk is voor hun veiligheid.
- Kinderen moeten onder toezicht staan om te voorkomen dat ze met het toestel gaan spelen.
- De deksel van het aansluitblok van het apparaat moet stevig bevestigd zijn.
- Als de voedingskabel beschadigd is, moet die worden vervangen door de fabrikant, diens serviceverlener of een vergelijkbaar gekwalificeerde persoon, om gevaren te vermijden.
- Gebruik uitsluitend door Mitsubishi Electric goedgekeurde accessoires en vraag de dealer of een erkende installateur deze te installeren.
- Controleer na voltooiing van de installatie op koelstoflekage. Als koelstof naar de ruimte lekt en in contact komt met de vlam van een verwarmings- of kookapparaat, komen giftige gassen vrij.
- Gebruik geen middelen om het ontdooingsproces te versnellen of om te reinigen die niet zijn aanbevolen door de fabrikant.
- Het apparaat moet zich in een kamer bevinden zonder continu functionerende ontstekingsbronnen (zoals open vuur, een functionerend gastoestel of een functionerende elektrische kachel).
- Niet doorboren of verbranden.
- Houd er rekening mee dat koelmiddelen geurloos kunnen zijn.
- De leidingen moeten beschermd zijn tegen fysieke schade.
- De aanleg van leidingen moet tot een minimum worden beperkt.
- Er moet worden voldaan aan de nationale gasverordeningen.
- Blokkeer geen van de vereiste ventilatie-openingen.
- Gebruik geen lage-temperatuurlegering bij het solderen van de koelleidingen.
- Zorg bij het uitvoeren van soldeerwerkzaamheden dat de ruimte goed geventileerd is.
- Houd gevaarlijke en ontvlambare materialen uit de buurt. Wanneer u werkzaamheden in een kleine of afgesloten ruimte of een vergelijkbare plaats verricht, dient u vooraf te controleren of er geen koelmiddel is gelekt. Als koelmiddel lekt en zich verzamelt, kan het ontvlammen of kunnen er giftige gassen ontsnappen.

1. Veiligheidsvoorschriften

1.1. Voor de installatie (Omgeving)

⚠ Voorzichtig:

- Gebruik het apparaat niet in bijzondere omgevingen. Wanneer de airconditioner geïnstalleerd wordt in een ruimte waarin deze is blootgesteld aan stoom, vluchtige olie (waaronder machineolie) of zwavelgas, of in een gebied waarin het apparaat wordt blootgesteld aan een hoog zoutgehalte, zoals in kustgebieden, dan kunnen de prestaties hierdoor aanzienlijk worden verminderd en kan er schade ontstaan aan de interne onderdelen.
- Installeer het apparaat niet in ruimtes waar brandbare gassen worden geproduceerd of kunnen lekken, stromen of samenstromen. Ophoping van brandbare gassen rond het apparaat kan leiden tot brand of een explosie.
- Plaats geen voedsel, planten, huisdieren, kunst of precisie-instrumenten in de directe luchtstroom van het binnenapparaat of te dicht bij het apparaat, om schade door temperatuurwisselingen of waterdruppels te voorkomen.
- In ruimtes met een luchtvochtigheid van meer dan 80% of wanneer de afvoerpijp is verstopt kan water uit het binnenapparaat druppelen. Installeer het binnenapparaat niet op plaatsen waar deze druppels schade kunnen veroorzaken.
- Houd rekening met geluid en elektrische storingen bij installatie van het apparaat in een ziekte apparaten, hoogfrequente medische apparatuur en radiocommunicatieapparatuur kunnen storingen in de airconditioner veroorzaken. Omgekeerd kan de airconditioner storingen veroorzaken in medische apparatuur, communicatieapparatuur en de weergave van beeldschermen.

1.2. Voor installatie of verplaatsing

⚠ Voorzichtig:

- Ga zeer voorzichtig te werk bij het verplaatsen van de apparaten. Het apparaat dient door twee of meer personen te worden getild, aangezien het 20 kg of meer weegt. Til het apparaat niet op aan de verpakingsbanden. Draag beschermende handschoenen, om letsel aan de handen door koelvinnen of andere onderdelen te voorkomen.
- Zorg dat het verpakkingsmateriaal op een veilige manier wordt weggegooid. Verpakkingsmaterialen zoals klemmen en andere metalen of houten onderdelen kunnen snijwonden of ander letsel veroorzaken.
- De koelpijp moet worden voorzien van warmte-isolatie om condensatie te voorkomen. Wanneer de koelpijp onvoldoende geïsoleerd is, ontstaat er condensatie.
- Breng warmte-isolatiemateriaal aan op de pijpen om condensatie te voorkomen. Onjuiste installatie van de afvoerpijp kan leiden tot waterlekkage en schade aan het plafond, de vloer, het meubilair of andere eigendommen.
- Gebruik geen water om de airconditioner te reinigen. Hierdoor kunnen elektrische schokken optreden.
- Trek met een momentsleutel alle flensmoeren aan volgens de specificatie. Bij overmatig aantrekken kan de flensmoer na verloop van tijd breken.
- Als de unit urenlang wordt gebruikt terwijl de lucht boven het plafond erg warm/vochtig is (dauwpunt boven 26 °C), kan er condens in de binnenuit of het plafondmateriaal ontstaan. Als de units in dergelijke omstandigheden worden gebruikt, dient u isolatiemateriaal (10-20 mm) aan het volledige oppervlak van de unit en het plafondmateriaal toe te voegen om condensvorming te voorkomen.

1.3. Voor de installatie van de elektrische bedrading

⚠ Voorzichtig:

- Installeer stroomonderbrekers. Als er geen stroomonderbrekers worden geïnstalleerd, kunnen elektrische schokken optreden.
- Gebruik voor de voedingsleidingen standaardkabels met voldoende capaciteit. Te lichte kabels kunnen kortsluiting, oververhitting of brand veroorzaken.
- Oefen bij de installatie van de voedingsleidingen geen trekkracht uit op de kabels.
- Zorg ervoor dat het apparaat goed is geaard. Onjuiste aarding van het apparaat kan elektrische schokken veroorzaken.
- Gebruik stroomonderbrekers (aardlekschakelaar, isolatieschakelaar (+Bzeke-ring) en onderbreker met gegoten behuizing) met de opgegeven capaciteit. Het gebruik van stroomonderbrekers met een te hoge capaciteit kan storingen of brand veroorzaken.

1.4. Voor het proefdraaien

⚠ Voorzichtig:

- Zet de netspanningsschakelaar ten minste 12 uur voordat u het apparaat gaat gebruiken aan. Als u het apparaat direct na het aanzetten van de netspanningsschakelaar inschakelt, kunnen de interne onderdelen ernstig beschadigd raken.
- Controleer voordat u begint met proefdraaien of alle panelen, beveiligingen en andere beschermende onderdelen goed zijn geïnstalleerd. Draaiende of warme onderdelen of onderdelen onder hoge spanning kunnen letsel veroorzaken.
- Schakel de airconditioner niet in zonder het luchtfilter. Zonder luchtfilter kan stof zich ophopen in het apparaat en storingen veroorzaken.
- Raak de schakelaars nooit met natte vingers aan. Hierdoor kan een elektrische schok optreden.
- Raak de koelstofpijpen niet met blote handen aan als het apparaat in werking is.
- Wacht nadat het apparaat is uitgeschakeld ten minste vijf minuten voordat u de netspanningsschakelaar uitzet. Eerder uitzetten kan waterlekkage of storingen veroorzaken.

2. Plaats

Raadpleeg de installatiehandleiding van het buitenapparaat.

3. Het binnenapparaat installeren

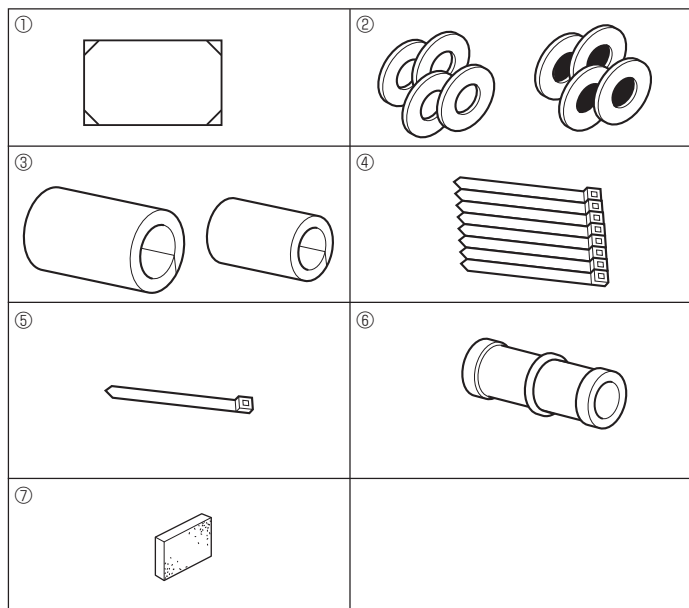


Fig. 3-1

3.1. Controleer de accessoires voor het binnenapparaat (Fig. 3-1)

De volgende accessoires horen bij het binnenapparaat te zijn meegeleverd.

	Nome dell'accessorio	Q.ta
①	Mal voor installatie (Bovenkant van de verpakking)	1
②	Sluistring (met isolatie) Sluistring (zonder isolatie)	4 4
③	Pijpisolatie (voor koppeling van koelleiding) kleine diameter grote diameter	1 1
④	Bevestigingsbandje (groot)	8
⑤	Bevestigingsbandje (klein)	1
⑥	Aftapbus	1
⑦	Isolatie	1

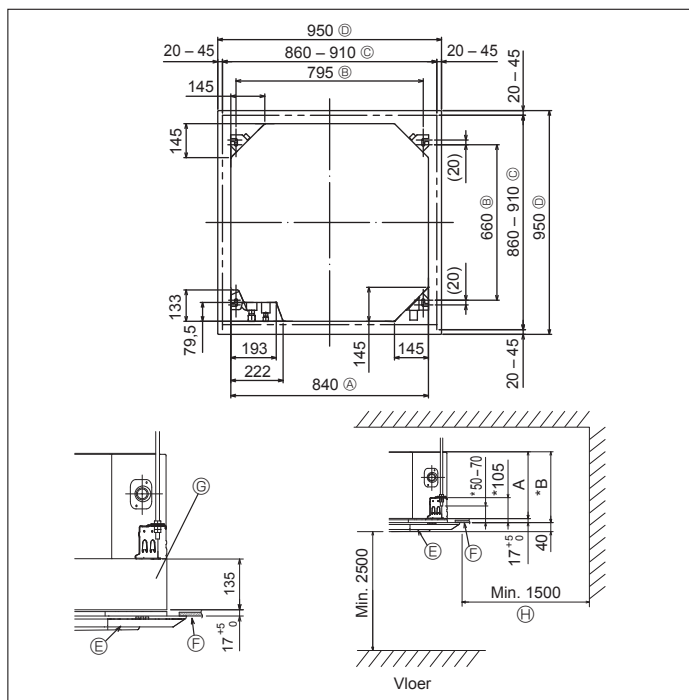


Fig. 3-2

3.2. Plafondopeningen en posities voor installatie van de ophangbouten (Fig. 3-2)

⚠ Voorzichtig:

Installeer het binnenapparaat minstens 2.5m boven de vloer of kwaliteitniveau. Voor toestellen die niet toegankelijk zijn voor het publiek.

- Gebruik de installatiemal (bovenzijde van de verpakking) en het meetplaatje (bijgeleverd als accessoire bij de grill) en maak een opening in het plafond zodat het hoofdapparaat geïnstalleerd kan worden zoals in de afbeelding getoond. (Het gebruik van de mal en het meetplaatje worden getoond.)

- * Controleer voordat u de installatiemal en het maatpapier gebruikt, de afmetingen ervan omdat door fluctuaties in temperatuur en luchtvochtigheid deze veranderd kunnen zijn.

- * De afmetingen van de plafondopeningen kunnen aangepast worden binnen de begrenzingen zoals afgebeeld in Fig.3-2; u moet dus het apparaat tegen het plafondopening centreren, waarbij u ervoor moet zorgen dat de respectievelijke tegengestelde zijden aan alle kanten van de opening hetzelfde zijn.

- Gebruik M10 (3/8") ophangbouten.

- * Ophangbouten moet u zelf kopen.

- Hang het apparaat goed stevig op, waarbij u ervoor moet zorgen dat er geen ruimte tussen de plafondplaat en het rooster zit, en tussen het apparaat en het rooster.

- Ⓐ Buitenkant van het apparaat
- Ⓑ Afstand bouten
- Ⓒ Plafondopening
- Ⓓ Buitenkant van rooster
- Ⓔ Rooster
- Ⓕ Plafond
- Ⓖ Multifunctionele behuizing (optioneel)
- Ⓗ Gehele omgeving

- * Let op dat de ruimte tussen het plafondpaneel van het apparaat en de plafondbalk enz. minimaal 7 mm moet zijn.

- * Als de multifunctionele behuizing wordt geïnstalleerd, dient u 135 mm toe te voegen aan de afmetingen uit de tekening.

(mm)

Models	A	B
SM71	241	258
SM100-140	281	298

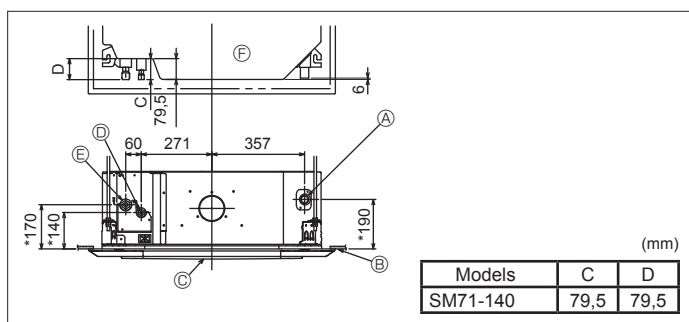


Fig. 3-3

3.3. Locaties van koelleidingen en draineerbuizen van het binnenapparaat (Fig. 3-3)

De waarden in de tekening die zijn aangegeven met een *, zijn de afmetingen van het hoofdapparaat, zonder de optionele multifunctionele behuizing.

- Ⓐ Afvoerleiding
- Ⓑ Plafond
- Ⓒ Rooster
- Ⓓ Koelleiding (vloeistof)
- Ⓔ Koelleiding (gas)
- Ⓕ Het apparaat

- * Als de multifunctionele behuizing wordt geïnstalleerd, dient u 135 mm toe te voegen aan de afmetingen uit de tekening.

Models	C	D
SM71-140	79,5	79,5

3. Het binnenapparaat installeren

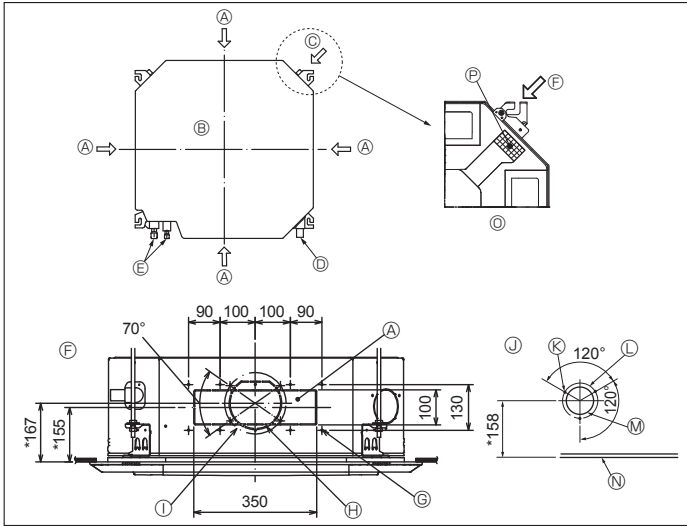


Fig. 3-4

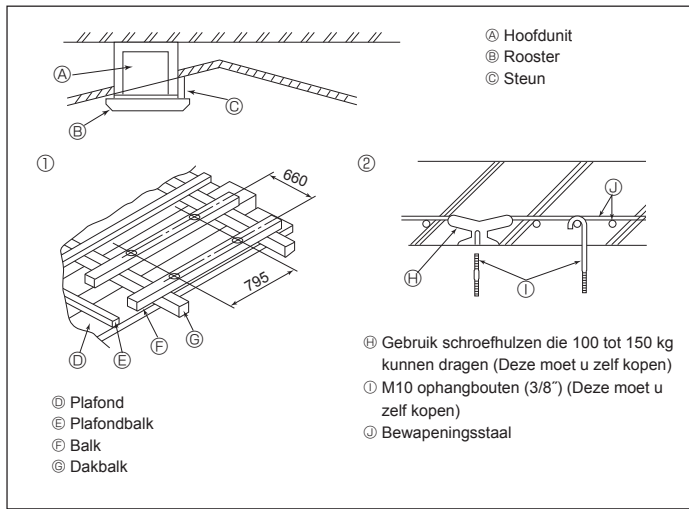


Fig. 3-5

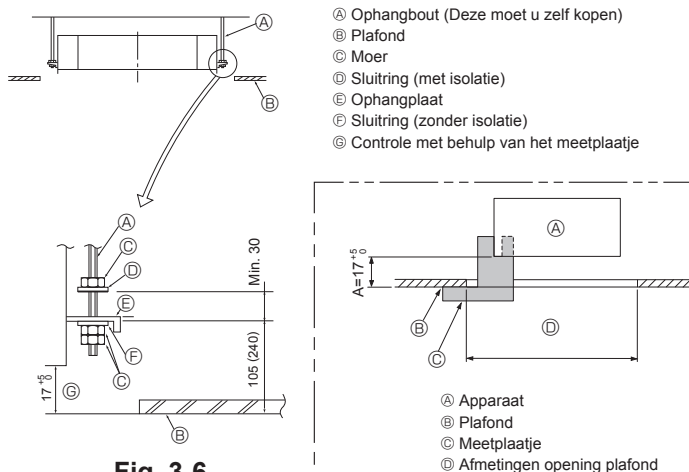


Fig. 3-6

- A Ophangbout (Deze moet u zelf kopen)
- B Plafond
- C Moer
- D Sluitring (met isolatie)
- E Ophangplaat
- F Sluitring (zonder isolatie)
- G Controle met behulp van het meetplaatje

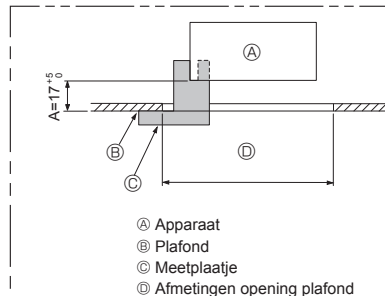


Fig. 3-7

- A Apparaat
- B Plafond
- C Meetplaatje
- D Afmetingen opening plafond

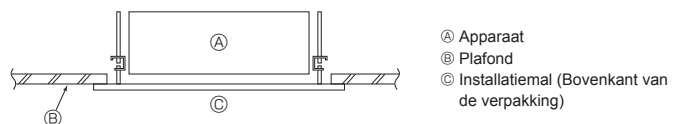


Fig. 3-8

- A Apparaat
- B Plafond
- C Installatiemerk (Bovenkant van de verpakking)

3.4. Openingen voor pijpafpakking en luchtinlaat (Fig. 3-4)

Maak bij de installatie gebruik van de openingen (uitgesneden) voor de leidingen op de plaatsen die in de afbeelding Fig. 3-4, worden getoond, als dat nodig is.

- Een luchtinlaat voor de optionele multifunctionele behuizing kan ook worden gemaakt.

Opmerking:

- De getallen in de afbeelding met een * ernaast zijn de afmetingen van het hoofdapparaat zonder de optionele multifunctionele behuizing.
- Als u de multifunctionele behuizing installeert, dient u 135 mm toe te voegen aan de afgebeelde afmetingen.
- Als u de pijpafpakking monteert, zorg dan voor een goede isolatie. Als er te weinig wordt geïsoleerd, kan er vochtcondensatie optreden.
- Als u de luchtinlaat gaat installeren, verwijder dan eerst het isolatiemiddel P dat op het binnenapparaat is bevestigd.
- Wanneer er rechtstreeks externe lucht wordt toegevoerd via het hoofdapparaat, mag het luchttoevoersvolume maximaal 5% bedragen van het luchtvolume van het binnenapparaat.
- Als de externe lucht wordt toegevoerd, zijn de kanaalventilator en het stofverzamelfilter nodig om het aanzuigen van stof en andere deeltjes te voorkomen. Raadpleeg voor informatie "Fresh air intake volume & static pressure characteristics" (Toevoersvolume buitenlucht & eigenschappen statische druk) in het DATA BOOK voor de P-serie.
- Wanneer er externe lucht wordt toegevoerd naar het hoofdapparaat, kan het geluid toenemen.

- A Opening voor pijpafpakking
- B Hoofddunit
- C Luchtinlaatopening
- D Afvoerleiding
- E Koelleiding
- F Afbeelding opening voor aftakingspijp (van beide zijden gezien)
- G zelftappende schroeven 14-4×10
- H Uitgesneden opening ø150
- I Afmeting braamgat ø175
- J Afbeelding opening voor luchtinlaat
- K zelftappende schroeven 3-4×10
- L Afmeting braamgat ø125
- M Uitgesneden opening ø100
- N Plafond
- O Detailtekening voor het verwijderen van het isolatiemiddel
- P Isolatie

3.5. Ophangconstructie (Zorg dat u een stevige constructie maakt daar waar u het apparaat ophangt) (Fig. 3-5)

• Het werk aan het plafond hangt af van de constructie van het gebouw. U moet aannemers en binnenhuisarchitecten raadplegen voor details.

- (1) De omvang van verwijdering van het plafond: Het plafond moet volledig horizontaal gehouden worden en de constructie van het plafond (draagconstructie: houten latten en lattenhouders) moet versterkt worden om het plafond te beschermen tegen trillingen.
- (2) Zaag de plafondconstructie door en verwijder het.
- (3) Versterk de uiteinden van de plafondconstructie waar u het doorgezaagd hebt en maak een extra constructie om de uiteinden van de plafondplaten vast te zetten.
- (4) Als u het binnenapparaat aan een hellend plafond wilt ophangen, plaats dan een steun tussen het plafond en het rooster en stel deze zo af dat het apparaat horizontaal hangt.

- ① Houten constructies
 - Gebruik bevestigingsbalken (voor laagbouw met alleen begane grond) of zwaardere verdiepbalken (voor huizen met verdiepingen) als versterking.
 - Balken voor ophanging van airconditioners moeten stevig zijn en de balkdoorsnede moet tenminste 6 cm zijn als de h.o.h. afstand tussen de balken niet meer dan 90 cm is. De balkdoorsnede moet tenminste 9 cm als de h.o.h. afstand tussen de balken zoveel als 180 cm is. De lengte van de ophangbouten moet ø10 (3/8") zijn. (De bouten moet u zelf kopen.)

- ② Voor gewapend beton constructies
 - Zet de ophangbouten op de afgebeelde wijze vast, of gebruik stalen of houten hangers, enz. Om de ophangbouten te installeren:

3.6. Werkwijze om het apparaat op te hangen (Fig. 3-6)

Hang het apparaat op zoals op de tekening aangegeven.

De waarden die tussen haakjes worden gegeven zijn de afmetingen bij installatie van een multifunctionele behuizing.

1. Zet van te voren de verschillende onderdelen op de ophangbouten in de hierna aangegeven volgorde: sluitingen (met isolatie), sluitingen (zonder isolatie) en de dubbele moeren.
 - Doe de sluitring met isolatie er zo op dat de kant met de isolatie naar beneden wijst.
 - In het geval dat u bovensluitingen gebruikt om het apparaat op te hangen, dan moeten de onderste sluitingen (met isolatie) en de dubbele moeren er later opgezet worden.
2. Hijs het apparaat op tot de juiste hoogte van de ophangbouten om de ophangplaat tussen de sluitingen te plaatsen en zet het dan stevig vast.
3. Als u het apparaat niet exact tegen het gat in het plafond kunt ophangen, dan kunt u het verschuiven door middel van een gleuf in de ophangplaat.
 - Zorg dat stap A binnen het bereik 17 - 22 mm blijft. Als u niet binnen dit bereik blijft, kan dit leiden tot beschadiging. (Fig. 3-7)

⚠ Voorzichtig:
Gebruik de bovenheft van de doos als bescherming, zodat er geen stof en vuil in het apparaat terecht komt, voordat u de decoratieve beschermkap heeft geïnstalleerd, of als u aan het plafond werkt.

3.7. De exacte positie van het apparaat vaststellen en de ophangbouten vastzetten (Fig. 3-8)

- Gebruik de meetstok die aan de roosters vastzit om de onderkant van het apparaat goed uit te lijnen ten opzichte van de opening in het plafond. Zorg dat deze uitlijning nauwkeurig wordt uitgevoerd, aangezien er anders condensatievorming kan plaatsvinden, door lucht lekkage, etc.
- Controleer dat het apparaat horizontaal uitgelijnd is met gebruik van een waterpas of met een met water gevuld vinyl buisje.
- Als u er zeker van bent dat het apparaat goed is opgehangen, draait u de moeren van de ophangbouten stevig aan om het apparaat vast te zetten.
- De installatiemerk (bovenkant van de verpakking) kan ook worden gebruikt als bescherming om te voorkomen dat er stof en vuil in het apparaat terecht komt als de grillen er niet op bevestigd zijn of als u aan het plafond werkt nadat het apparaat is geïnstalleerd.

* Zie voor fittingdetails de instructies op de installatiemerk. (Bovenkant van de verpakking)

4. Installeren van de koelstofleidingen

4.1. Voorzorgsmaatregelen

Voor apparaten die R32/R410A-koelstof gebruiken

- Gebruik alkylbenzeenolie (kleine hoeveelheid) als koelolie voor de flensgedeelten.
- Gebruik fosforhoudende, zuurstofarme, naadloze C1220-pijpen van koper of koperlegeringen als koelstofpijpen. Gebruik koelstofpijpen van de in de onderstaande tabel aangegeven dikte. Controleer of de binnenkant van de pijpen schoon is en vrij van schadelijke stoffen zoals zwavelverbindingen, oxidanten, vuil of stof.

⚠ Waarschuwing:

Bij het installeren, verplaatsen of onderhouden van het apparaat dient u voor het vullen van de koelstofpijpen uitsluitend gebruik te maken van de koelstof die op de buitenunit is gespecificeerd. Meng de koelstof niet met andere koelstoffen en let erop dat er geen lucht in de pijpen achterblijft.

Als de koelstof wordt gemengd met lucht, kan dit een uitzonderlijk hoge druk in de koelstofpijp tot gevolg hebben. Dit kan resulteren in explosiegevaar en andere gevaren.

Als er een andere koelstof wordt gebruikt dan de voorgeschreven koelstof, heeft dit mechanische storingen, storingen van het systeem of uitvallen van het apparaat tot gevolg. In het ergste geval kan de veiligheid van het product ernstig in gevaar komen.

ø 6,35 dikte 0,8 mm	ø 9,52 dikte 0,8 mm
ø 12,7 dikte 0,8 mm	ø 15,88 dikte 1,0 mm

- Gebruik geen dünnere pijpen dan hierboven aangegeven.

4.2. Aansluiten van de pijpen (Fig. 4-1)

- Als u koperen pijpen gebruikt, moet u de vloeistof- en gaspijpen met isolatiemateriaal bekleden (hittebestendig tot 100 °C, dikte van 12 mm of meer).
- Doe een dun laagje koelmachineolie op de leiding en het aansluitingsoppervlak voordat u de "flare"-moer vastdraait.
- Draai met gebruik van twee pijptangen de aansluitende leidingen vast.
- Isoleer met meegeleverd isolatiemateriaal voor koelpijpen de aansluitingen aan de binnenzijde van het apparaat. Voer de isolatie zorgvuldig uit.
- Na het aansluiten van de koelstofleidingen op de binnenunit, moet u de leidingaansluitingen testen op gaslekken met behulp van stikstofgas. (Controleer of er geen lekkage is in de koelstofleidingen die naar de binnenunit lopen.)
- Gebruik de flensmoer die aan dit binnenapparaat is bevestigd.
- In het geval dat de koelleidingen na loskoppeling opnieuw moeten worden aangesloten, vervaardig dan het flensgedeelte van de leiding opnieuw.

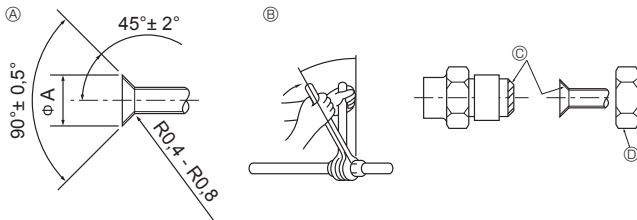


Fig. 4-1

Ⓐ Afsnijmaten tromp

Buitendiameter koperen pijp (mm)	Afmetingen tromp øA (mm)
ø6,35	8,7 - 9,1
ø9,52	12,8 - 13,2
ø12,7	16,2 - 16,6
ø15,88	19,3 - 19,7

Ⓑ Aanhaalmoment flensmoer

Buitendiameter koperen pijp (mm)	Buitendiameter flensmoer (mm)	Aanhaalmoment (N·m)
ø6,35	17	14 - 18
ø6,35	22	34 - 42
ø9,52	22	34 - 42
ø12,7	26	49 - 61
ø15,88	29	68 - 82

Ⓒ Breng koelolie aan op de aansluitingsoppervlakken.

Ⓓ Gebruik correcte flensmoeren die voor de afmetingen van de pijpen van het buitenapparaat geschikt zijn.

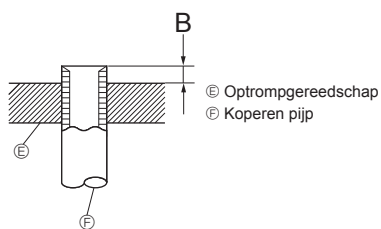


Fig. 4-2

Beschikbaar pijpformaat

	SM71-140
Vloeistofzijde	ø9,52 O
Gaszijde	ø15,88 O

O : Fabrieksmatige flensmoerbevestiging op de warmtewisselaar.

⚠ Waarschuwing:

- De flensmoer kan er afvliegen! (door interne druk)
Verwijder de flensmoer als volgt:
 1. Draai de moer los totdat een sissend geluid hoorbaar is.
 2. Verwijder de moer niet voordat het gas geheel is vrijgekomen (het sissende geluid is gestopt).
 3. Controleer of het gas geheel is vrijgekomen en verwijder vervolgens de moer.
- Als u het apparaat installeert, zet de koelmiddelleidingen dan stevig vast voordat u de compressor start.

Buitendiameter koperen pijp (mm)	B (mm)	
	Trompgereedschap voor R32/R410A	Type koppeling
ø6,35 (1/4)	0 - 0,5	
ø9,52 (3/8)	0 - 0,5	
ø12,7 (1/2)	0 - 0,5	
ø15,88 (5/8)	0 - 0,5	

4. Installeren van de koelstofleidingen

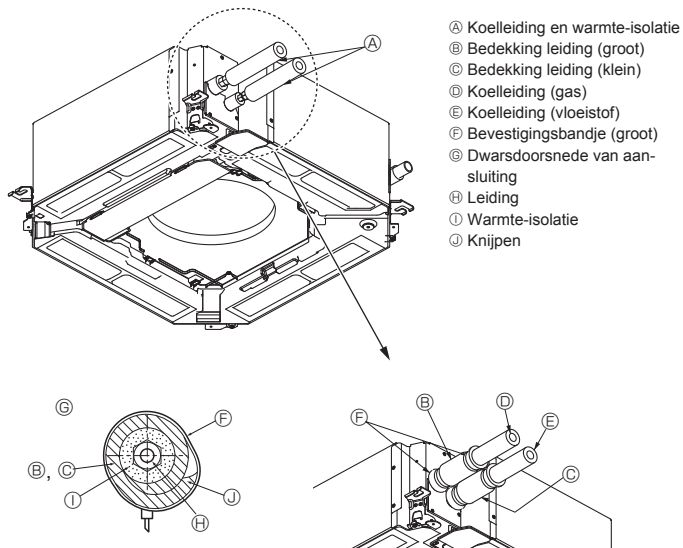


Fig. 4-3

5. Installatie van Draineerbuisen

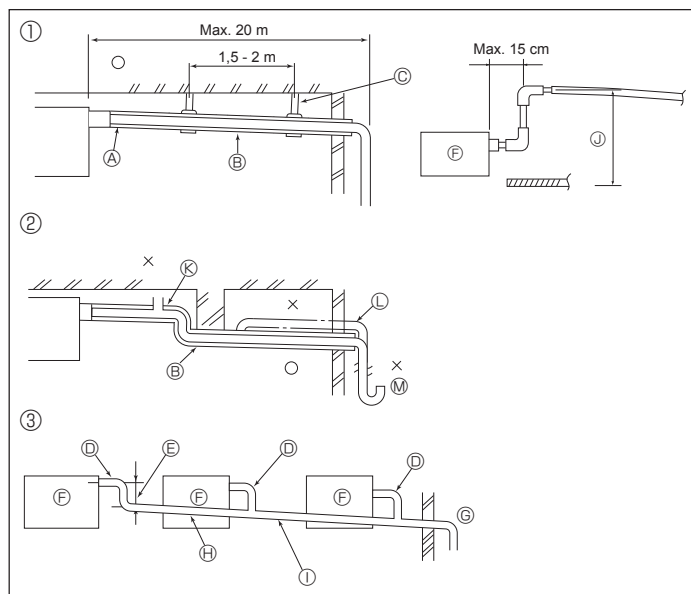


Fig. 5-1

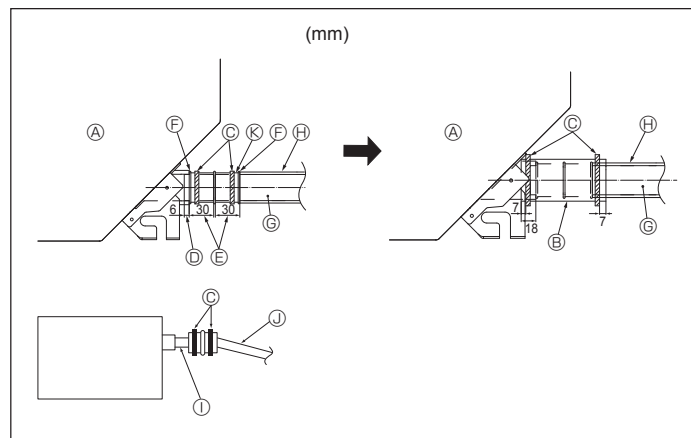


Fig. 5-2

Warmte-isolatie van koelleidingen (Fig. 4-3)

- 1 Wikkel de bijgeleverde grote leidingisolatie rondom de gasleiding, en zorg dat het einde van het isolatiemateriaal de zijkant van het apparaat raakt.
- 2 Wikkel de bijgeleverde kleine leidingisolatie rondom de vloeistofleiding, en zorg dat het einde van het isolatiemateriaal de zijkant van het apparaat raakt.
- 3 Zet deze isolatie vast met de bijgeleverde bevestigingsbandjes. (Zet de eerste bandjes op 20 mm van de uiteinden.)

4.3. Voor tweevoudige combinatie

Raadpleeg de installatiehandleiding van het buitenapparaat.

Sommige buitenapparaten kunnen niet worden gebruikt in een systeem dat gelijktijdig tweevoudig is.

5.1. Installatie van Draineerbuisen (Fig. 5-1)

- De delen van de afvoerpijp die binnenshuis lopen, moeten worden bekleed met isolatiemateriaal van polyethyleenschuim (relatieve dichtheid 0,03, dikte 9 mm of meer).
 - Gebruik VP25 (PVC-pijp, O.D. $\varnothing 32$) voor draineerbuisen en zorg voor een naar beneden lopend verval van tenminste 1/100.
 - Gebruik een lijm op PVC-basis voor de verbindingen van de leidingen.
 - Zie de afbeelding voor het leidingenwerk.
 - Gebruik de bijgeleverde afvoerslang om de aftakingsrichting van de leiding te veranderen.
 - Wanneer u de afvoerleidingen aanlegt, zorg er dan voor dat u de metalen ophangbeugels gebruikt.
- Als er gewicht wordt uitgeoefend op de aftapbus, waardoor de slang beschadigd raakt of waardoor de slang losraakt, kan er waterlekage ontstaan.

- | | |
|--|---|
| ① Juist aangelegde leidingen | Ⓞ Gebruik dickere leidingen voor gegroepeerd leidingwerk. |
| ② Onjuist aangelegde leidingen | Ⓢ Naar beneden lopend verval (1/100 of meer) |
| ③ Gegroepeerd leidingwerk (grouped piping) | Ⓜ PVC-pijp, O.D. $\varnothing 38$ voor gegroepeerd leidingwerk (met tenminste 9 mm isolatie erop) |
| Ⓐ Isolatie (tenminste 9 mm) | Ⓤ Tot 85 cm |
| Ⓑ Naar beneden lopend verval (1/100 of meer) | Ⓚ Ontluchter |
| Ⓒ Ophangbeugel | Ⓛ Verhoogd |
| Ⓓ PVC-pijp, O.D. $\varnothing 32$ | Ⓜ Stankafsluiter |
| Ⓔ Maak de bocht zo groot mogelijk (ongeveer 10 cm) | |
| Ⓕ Hoofdunit | |

1. Sluit de aftapbus (meegeleverd met het apparaat) aan op de afvoeropening. (Fig. 5-2)
(Bevestig de bus met behulp van PVC-plakband en zet deze stevig vast met behulp van een band.)
2. Installeer een ter plaatse aangeschafte afvoerpijp (PVC-pijp, O.D. $\varnothing 32$)
(Bevestig de pijp met behulp van PVC-plakband en zet deze stevig vast met behulp van een band.)
3. Controleer of de afvoer gelijkmatig stroomt.
4. Isoleer de afvoeropening en afvoerbus met isolatiemateriaal en zet het materiaal vast met een band. (Zowel het isolatiemateriaal als het band zijn meegeleverd met het apparaat.)
5. Isoleer de bus en de pijp (PVC-pijp, O.D. $\varnothing 32$)

- | | |
|-------------------------------|---|
| Ⓐ Hoofdunit | Ⓞ Afvoerpijp (PVC-pijp, O.D. $\varnothing 32$) |
| Ⓑ Isolatiemateriaal | Ⓢ Isolatiemateriaal (ter plaatse aangeschaft) |
| Ⓒ Bevestigingsbandje (groot) | Ⓜ Transparante PVC-pijp |
| Ⓓ Afvoeropening (transparant) | Ⓤ PVC-pijp, O.D. $\varnothing 32$ (Helling van 1/100 of meer) |
| Ⓔ Insteekmarge | Ⓚ Aftapbus |
| Ⓕ Overeenkomend | |

6. Elektrische aansluitingen

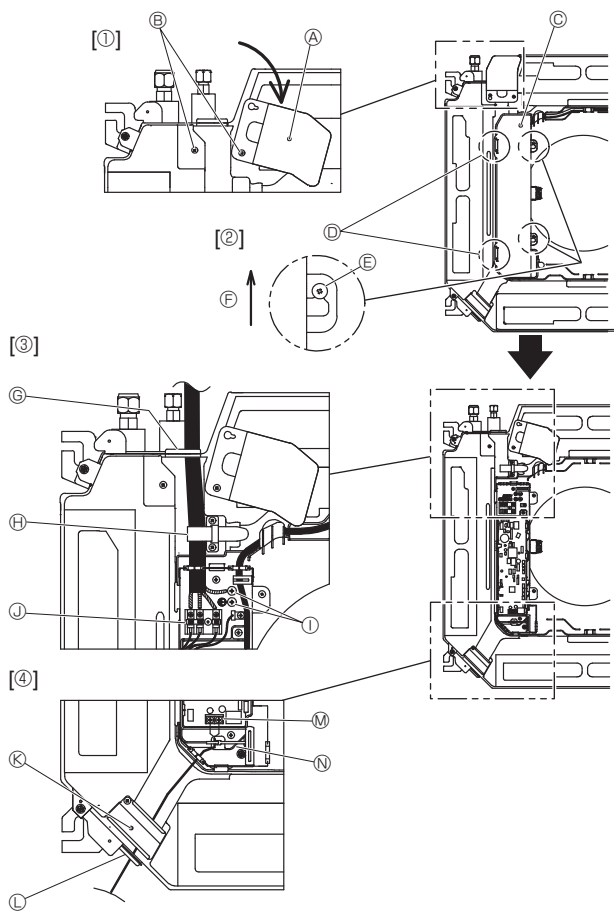


Fig. 6-1

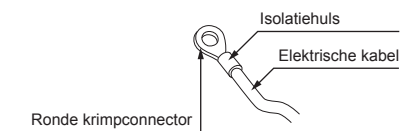


Fig. 6-2

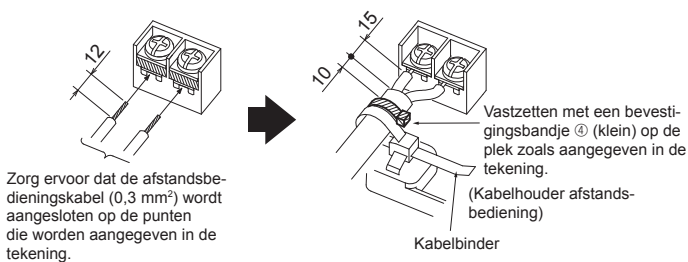


Fig. 6-3

Zorg ervoor dat de afstandsbedieningskabel (0,3 mm²) wordt aangesloten op de punten die worden aangegeven in de tekening.

6.1. Binnenapparaat (Fig. 6-1)

- Maak de twee schroeven los waarmee het servicepaneel voor elektrische aansluiting vastzit en draai vervolgens het servicepaneel voor elektrische aansluiting. [Fig. 6-1 ①]
 - Verwijder de twee schroeven waarmee de afdekking van de elektrische contactdoos vastzit en schuif de afdekking van de elektrische contactdoos opzij. [Fig. 6-1 ②]
 - Haal de elektriciteitskabel, de verbindingkabel tussen het binnen-/buitenapparaat en de aardingskabel door de respectieve bedradingsingangen volgens het schema. [Fig. 6-1 ③]
Plaats het omhulde gedeelte van de elektriciteitskabel en de verbindingkabel tussen het binnen-/buitenapparaat in de elektrische contactdoos.
Gebruik ronde krimpconnectoren voor het binnen-buiten-aansluitpunt en de optionele set voor voedingsaansluitingen. [Fig. 6-2]
Als u geen ronde krimpconnectoren kunt gebruiken, volg dan de procedure in Fig. 6-3~6-6.
Raadpleeg 6.1.1. en 6.1.2. voor informatie over de aansluiting.
 - Leid en verbind de afstandsbedieningskabel via de bedradingsingangen volgens het schema. [Fig. 6-1 ④, Fig. 6-3]
Raadpleeg 6.1.1. en 6.1.2. voor informatie over de aansluiting.
- Zorg ervoor dat de aansluitingsschroeven niet los kunnen gaan zitten.

Schroefaanhaalmoment

	Aanhaalmoment (N·m)
Klembord afstandsbediening	1,2 ± 0,1
Klembord binnen-buitenaansluiting	1,6 ± 0,1
Aardingskabel	1,6 ± 0,1

- Zorg dat er zoveel extra kabel aanwezig is dat de elektrische aansluitkast bij onderhoudswerkzaamheden onder het apparaat kan worden gehangen (ongeveer 50 tot 100 mm).
 - ① Servicepaneel voor elektrische bedrading
 - ② Schroef
 - ③ Afdekking voor elektrische contactdoos
 - ④ Tijdelijke haak voor afdekking van elektrische contactdoos
 - ⑤ Schroef
 - ⑥ Schuifrichting van afdekking voor elektrische contactdoos
 - ⑦ Ingang voor elektriciteitskabel en verbindingkabel tussen binnen/buitenapparaat
 - ⑧ Vastzetten met de kabelklem.
 - ⑨ Aardingskabel
 - ⑩ Aansluitpunten voor binnen/buitenapparaat
 - ⑪ Servicepaneel voor elektrische bedrading (afstandsbediening)
 - ⑫ Ingang voor afstandsbediening met kabel
 - ⑬ Aansluiting voor afstandsbediening met kabel
 - ⑭ Vastzetten met kabelklem.

⚠ Voorzichtig:

- De afstandsbedieningskabel moet op een zekere afstand (5 cm of meer) worden gehouden van de voedingskabel zodat de afstandsbedieningskabel niet wordt beïnvloed door de elektrische ruis van de voedingskabel.

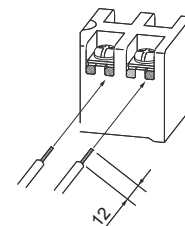


Fig. 6-4

- De U-vormige gleuf opent zich als u op de schroefkop drukt nadat de schroef is losgemaakt.

<Wanneer u twee verbindingkabels voor binnen-buiten aanbrengt>

- Als de kabels dezelfde diameter hebben, plaatst u ze in de uitsparingen aan beide zijden.
- Als de kabels verschillende diameters hebben, plaatst u ze aan één zijde in gescheiden ruimten met een kabel boven de ander.

Fig. 6-5

WAARSCHUWING

- Twee draden aansluiten aan één zijde is verboden.
- Drie of meer draden aansluiten op dezelfde aansluiting is verboden.
- Draden met verschillende diameters aansluiten is verboden.

Wanneer u een enkelvoudige kabel gebruikt, is het gebruik van een ronde krimpconnector of een ander type aansluiting verboden.

Fig. 6-6

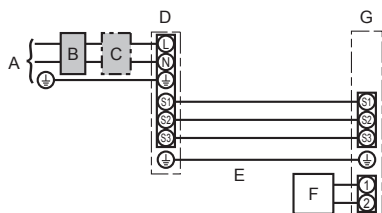
6. Elektrische aansluitingen

6.1.1. Binnenapparaat gevoed vanaf het buitenapparaat

De volgende aansluitpatronen zijn mogelijk.

De aansluitpatronen van de buitenapparaten variëren per model.

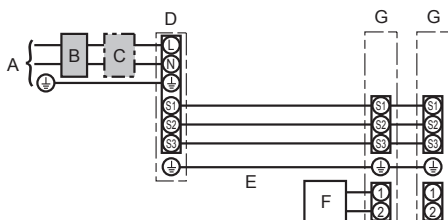
1:1-systeem



- A Voeding buitenapparaat
- B Aardlekschakelaar
- C Stroomonderbreker of scheiderv
- D Buitenapparaat
- E Verbindingskabels tussen de binnen/buitenapparaten
- F Afstandsbediening
- G Binnenapparaat

* Breng het label A bij het aansluitschema van de binnen- en buitenapparaten aan. Dit label is bij de handleidingen meegeleverd.

Tweevoudig gelijktijdig werkend systeem



- A Voeding buitenapparaat
- B Aardlekschakelaar
- C Stroomonderbreker of scheiderv
- D Buitenapparaat
- E Verbindingskabels tussen de binnen/buitenapparaten
- F Afstandsbediening
- G Binnenapparaat

* Breng het label A bij het aansluitschema van de binnen- en buitenapparaten aan. Dit label is bij de handleidingen meegeleverd.

Opmerking:

Sommige apparaten kunnen niet worden gebruikt in een systeem dat gelijktijdig tweevoudig is. Raadpleeg voor informatie de installatiehandleiding van het buitenapparaat.

Model binnenunit		PLA	
Bedrading/Aantal draden x dikte in (mm²)	Binnenapparaat-Buitenapparaat	*1	3 x 1,5 (Polar)
	Aarde voor verbindingskabel tussen binnenunit/buitenunit	*1	1 x Min.1,5
	Aarde voor voeding binnenunit		1 x Min.1,5
	Aansluitkabel tussen afstandsbediening en binnenapparaat	*2	2 x 0,3 (Geen polariteit)
Nominiaalvermogen/stroomkring	Binnenapparaat (verwarming) L-N	*3	-
	Binnenapparaat-Buitenapparaat S1-S2	*3	230 V AC
	Binnenapparaat-Buitenapparaat S2-S3	*3	24 V DC
	Aansluitkabel tussen afstandsbediening en binnenapparaat	*3	12 V DC

*1. <Voor toepassing van 71-140-buitenapparaten>

Max. 45 m

Bij toepassing van 2,5 mm², max. 50 m

Bij toepassing van 2,5 mm² en gescheiden S3, max. 80 m

*2. Max. 500 m

(Als 2 afstandsbedieningen worden gebruikt, bedraagt de maximale lengte voor de afstandsbedieningskabels 200 m.)

*3. De cijfers zijn NIET altijd van toepassing bij aarding.

S3-terminal heeft 24 V DC in tegenstelling tot S2-terminal. Tussen S3 en S1 zijn deze terminals niet elektrisch geïsoleerd door de transformator of een ander apparaat.

Opmerkingen: 1. De afmeting van de bedrading moet voldoen aan de van toepassing zijnde lokale en nationale norm.

2. De voedingskabels en de verbindingskabels van de binnen- en buitenapparaten mogen niet lichter zijn dan met polychloropreen bekleede flexi-kabels. (Ontwerp 60245 IEC 57)

3. Breng een aarding aan die langer is dan de andere kabels.

4. De verbindingsdraden voor binnen- en buitenapparaat hebben polariteiten. Zorg ervoor dat het aansluitingsnummer (S1, S2, S3) overeenkomt met de bedrading.

5. De afstandsbedieningskabel moet op een zekere afstand (5 cm of meer) worden gehouden van de voedingskabel zodat de afstandsbedieningskabel niet wordt beïnvloed door de elektrische ruis van de voedingskabel.

⚠ Waarschuwing:

Voorkom rookvorming, brand en communicatiestoringen en slijt derhalve de voedingskabel en de kabel tussen het binnen- en buitenapparaat niet.

6. Elektrische aansluitingen

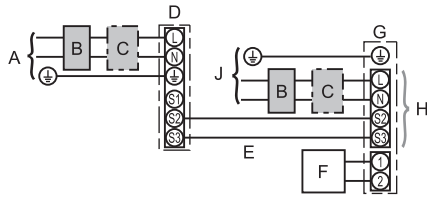
6.1.2. Gescheiden voedingen voor binnenapparaat/buitenapparaat (Alleen voor de toepassing PUHZ)

De volgende aansluitpatronen zijn mogelijk.

De aansluitpatronen van de buitenapparaten variëren per model.

1:1-systeem

* De aansluitkit voor de voeding van het binnenapparaat is vereist.

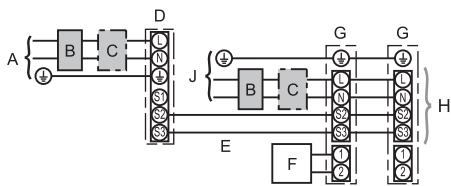


- A Voeding buitenapparaat
- B Aardlekschakelaar
- C Stroomonderbreker of scheiderv
- D Buitenapparaat
- E Verbindingskabels tussen de binnen/buitenapparaten
- F Afstandsbediening
- G Binnenapparaat
- H Optie
- J Voeding binnenapparaat

* Breng het label B bij het aansluitschema van de binnen- en buitenapparaten aan. Dit label is bij de handleidingen meegeleverd.

Tweevoudig gelijktijdig werkend systeem

* De aansluitkits voor de voeding van het binnenapparaat zijn vereist.



- A Voeding buitenapparaat
- B Aardlekschakelaar
- C Stroomonderbreker of scheiderv
- D Buitenapparaat
- E Verbindingskabels tussen de binnen/buitenapparaten
- F Afstandsbediening
- G Binnenapparaat
- H Optie
- J Voeding binnenapparaat

* Breng het label B bij het aansluitschema van de binnen- en buitenapparaten aan. Dit label is bij de handleidingen meegeleverd.

Opmerking:

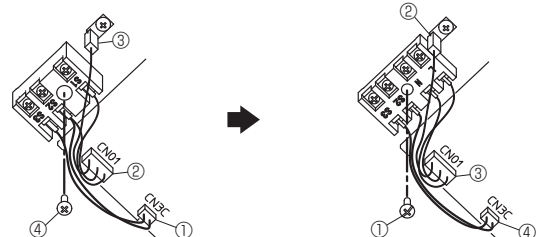
Sommige apparaten kunnen niet worden gebruikt in een systeem dat gelijktijdig tweevoudig is. Raadpleeg voor informatie de installatiehandleiding van het buitenapparaat.

Zie de volgende tabel indien de binnen- en buitenapparaten aparte voedingen hebben. Indien de aansluitkit voor de voeding van het binnenapparaat wordt gebruikt, dient u de bedrading van de elektrische aansluitdoos te wijzigen, zie de figuur rechts, en de instellingen van de DIP-schakelaar van het bedieningspaneel van het buitenapparaat.

Aansluitkit voor de voeding van het binnenapparaat (optie)	Vereist								
Aansluitingen wijzigen in de aansluitdoos van het binnenapparaat	Vereist								
Label bij alle aansluitschema's aangebracht voor de binnen- en buitenapparaten	Vereist								
Instellingen van de DIP-schakelaar van het buitenapparaat (alleen bij gescheiden binnen-/buitenapparaat-voedingen)	<table border="1" style="display: inline-table;"> <tr> <td>ON</td> <td></td> <td></td> <td>3</td> </tr> <tr> <td>OFF</td> <td>1</td> <td>2</td> <td></td> </tr> </table> (SW8) Zet de SW8-3 op AAN.	ON			3	OFF	1	2	
ON			3						
OFF	1	2							

* Er zijn drie soorten labels (labels A, B, en C). Bevestig de juiste labels op de apparaten, in overeenstemming met de aansluitmethode.

<Vervanging van het aansluitblok voor het binnenapparaat>



- ① Maak de connector CN3C (blauw) los van het bedieningspaneel van het binnenapparaat.
- ② Maak de connector CN01 (zwart) los van het bedieningspaneel van het binnenapparaat.
- ③ Maak de aansluiting voor het lipje los.
- ④ Verwijder de schroef uit het aansluitblok.

- Installeer de optionele aansluitset voor de voeding. Raadpleeg voor informatie de installatiehandleiding voor de optionele aansluitset voor de voeding.
- ① Zet het aansluitblok vast met de schroef.
 - ② Plaats de aansluiting voor het lipje.
 - ③ Sluit de connector CN01 (zwart) aan op het bedieningspaneel van het binnenapparaat.
 - ④ Sluit de connector CN3C (blauw) aan op het bedieningspaneel van het binnenapparaat.

Model binnenunit		PLA
Voeding binnenunit		~N (single), 50 Hz, 230 V
Ingangsvermogen binnenunit		16 A
Hoofdschakelaar (stroomverbreker)	*1	
Bedrading Aantal draden x dikte in (mm ²)	Voeding binnenunit & aarde voor voeding binnenunit	3 × Min. 1,5
	Binnenapparaat-Buitenapparaat	2 × Min. 0,3
	Aarde voor verbindingskabel tussen binnenunit/buitenunit	—
	Aansluitkabel tussen afstandsbediening en binnenapparaat	*3 2 × 0,3 (Geen polariteit)
Nominiaal vermogen stroomkring	Binnenapparaat L-N	*4 230 V AC
	Binnenapparaat-Buitenapparaat S1-S2	*4 —
	Binnenapparaat-Buitenapparaat S2-S3	*4 24 V DC
	Aansluitkabel tussen afstandsbediening en binnenapparaat	*4 12 V DC

*1. Gebruik een aardlekschakelaar (NV) met een contactopening van minimaal 3,0 mm per pool.

De netscheider wordt geleverd om te zorgen voor de afsluiting van alle actieve faseaansluitingen van het apparaat.

*2. Max. 120 m

*3. Max. 500 m

(Als 2 afstandsbedieningen worden gebruikt, bedraagt de maximale lengte voor de afstandsbedieningskabels 200 m.)

*4. De cijfers zijn NIET altijd van toepassing bij aarding.

Opmerkingen:

1. De afmeting van de bedrading moet voldoen aan de van toepassing zijnde locale en nationale norm.
2. De voedingskabels en de verbindingskabels van de binnen- en buitenapparaten mogen niet lichter zijn dan met polychloropreen bekleede flexikabels. (Ontwerp 60245 IEC 57)
3. Breng een aarding aan die langer is dan de andere kabels.
4. De afstandsbedieningskabel moet op een zekere afstand (5 cm of meer) worden gehouden van de voedingskabel zodat de afstandsbedieningskabel niet wordt beïnvloed door de elektrische ruis van de voedingskabel.

⚠ Waarschuwing:

V voorkom rookvorming, brand en communicatiestoringen en splits derhalve de voedingskabel en de kabel tussen het binnen- en buitenapparaat niet.

6. Elektrische aansluitingen

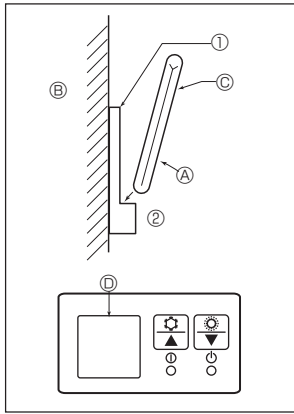


Fig. 6-7

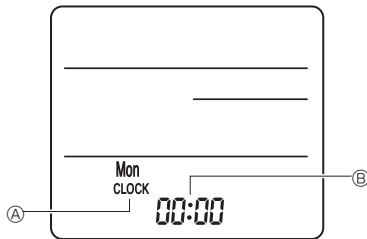


Fig. 6-8

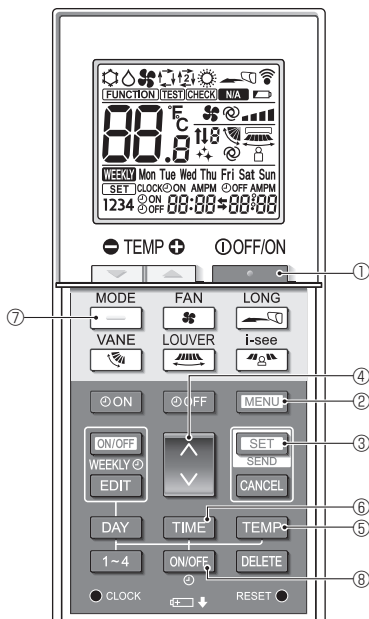


Fig. 6-9

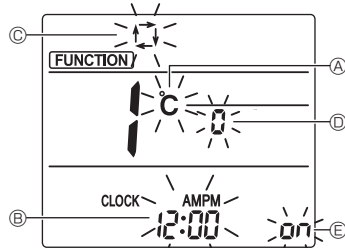


Fig. 6-10

6.2. Afstandsbediening

6.2.1. Voor de afstandsbediening met draad

1) Instelling voor twee afstandsbedieningen

Indien twee afstandsbedieningen zijn aangesloten, stelt u er een in als "Main" (Hoofdeenheid) en de andere als "Sub" (Sub-eenheid). Voor het instellen van de procedures, verwijzen wij u naar "Functiekeuze" in de bedieningshandleiding van het binnenapparaat.

6.2.2. Draadloze afstandsbediening

1) Omgeving van de installatie

- Omgeving waar de afstandsbediening niet wordt blootgesteld aan direct zonlicht.
- Omgeving waar geen warmtebron is.
- Omgeving waar de afstandsbediening niet wordt blootgesteld aan koude (of warme) wind.
- Omgeving waarin de afstandsbediening eenvoudig kan worden bediend.
- Omgeving waarin de afstandsbediening buiten het bereik van kinderen is.

2) Installatiemethode (Fig. 6-7)

- 1 Bevestig de houder voor de afstandsbediening op de gewenste plaats door middel van de 2 zelftappende schroeven.
- 2 Plaats het onderste gedeelte van de afstandsbediening in de houder.
 - A Draadloze afstandsbediening
 - B Wand
 - C Weergavescherm
 - D Ontvanger

3) Instelling (Klokinstelling) (Fig. 6-8)

- 1 Plaats de batterijen of druk met een dun, puntig voorwerp op de toets ●CLOCK. [CLOCK] A en [:] B gaan knipperen.
- 2 Druk met een dun, puntig voorwerp op de toets RESET ●.
- 3 Druk op de toets ↓ om de tijd in te stellen. Druk op de toets DAY om de dag in te stellen.
- 4 Druk met een puntig voorwerp op de toets ●CLOCK. [CLOCK] en [:] worden verlicht.

4) Begininstelling

De volgende instellingen kunnen worden opgegeven in de stand voor begininstellingen.

Item	Instelling	Fig. 6-10
Temperatuurschaal	°C/°F	A
Tijdweergave	12-/24-uurs notatie	B
AUTO-stand	Enkele/dubbele instelling	C
Paarnr.	0-3	D
Achtergrondverlichting	Aan/uit	E

4-1. Omschakelen naar de stand voor begininstellingen

- 1 Druk op de toets [STOP] ① om de airconditioner te stoppen.
- 2 Druk op de toets [MENU] ②. Het functie-instellingsscherm wordt weergegeven en het functienummer A knippert. (Fig. 6-9)
- Druk op de toets ↓ ④ om het functienummer te wijzigen.
- 3 Controleer of functienummer 1 wordt weergegeven en druk op de toets [SET] ③. Het scherm voor het instellen van de weergave wordt weergegeven. (Fig. 6-10)

4-2. De temperatuurschaal wijzigen A

- Druk op de toets [TEMP] ⑤.
- Telkens wanneer u op de toets [TEMP] ⑤ drukt, schakelt de instelling tussen °C en °F.
- °C : De temperatuur wordt weergegeven graden Celsius.
- °F : De temperatuur wordt weergegeven graden Fahrenheit.

4-3. De tijdweergave wijzigen B

- Druk op de toets [TIME] ⑥.
- Telkens wanneer u op de toets [TIME] ⑥ drukt, schakelt de instelling tussen 12:00 en 24:00.
- 12:00 : De tijd wordt in de 12-uurs notatie weergegeven.
- 24:00 : De tijd wordt in de 24-uurs notatie weergegeven.

4-4. De AUTO-stand wijzigen C

- Druk op de toets [] ⑦.
- Telkens wanneer u op de toets [] ⑦ drukt, schakelt de instelling tussen ① en ②.
- ① : De AUTO-stand werkt als de gewone automatische bedieningsstand.
- ② : De AUTO-stand werkt met dubbele instellingen.

4-5. Het paarnummer wijzigen D

- Druk op de toets ↓ ④.
- Telkens wanneer u op de toets ↓ ④ drukt, wordt geschakeld tussen 0-3.

Paarnummer van draadloze afstandsbediening	Besturingskaart binnenunit
0	Begininstelling
1	Cut J41
2	Cut J42
3	Cut J41, J42

4-6. De achtergrondverlichtingsinstelling wijzigen E

- Druk op de toets [ON/OFF] ⑧.
- Telkens wanneer u op de toets [ON/OFF] ⑧ drukt, schakelt de instelling tussen on en FF.
- on : De achtergrondverlichting wordt aangezet wanneer op een toets wordt gedrukt.
- FF : De achtergrondverlichting wordt niet aangezet wanneer op een toets wordt gedrukt.

6. Elektrische aansluitingen

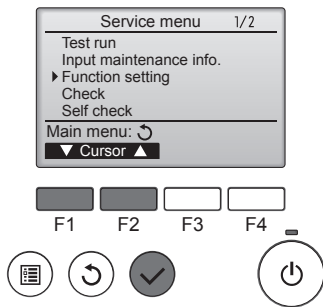


Fig. 6-11

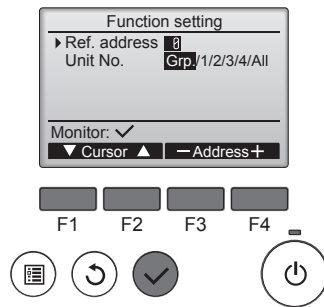


Fig. 6-12

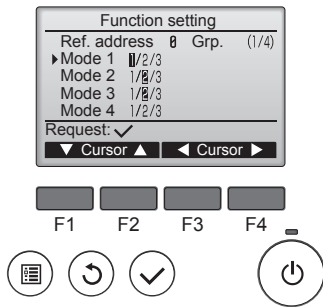


Fig. 6-13

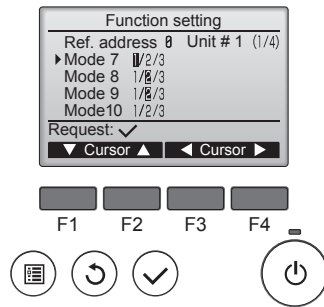


Fig. 6-14

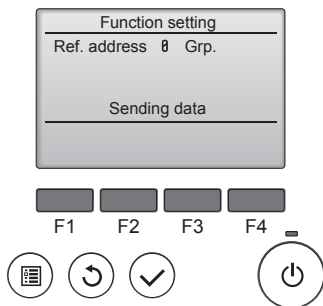


Fig. 6-15

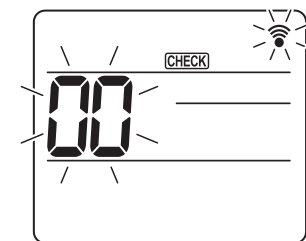


Fig. 6-16

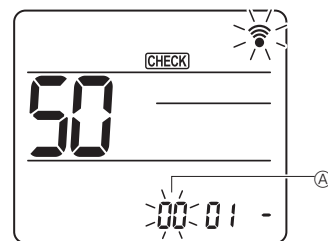


Fig. 6-17

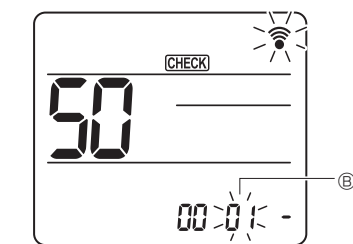


Fig. 6-18

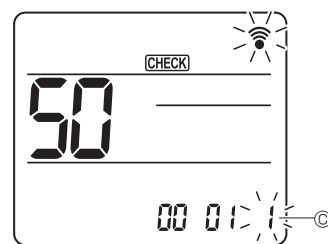


Fig. 6-19

6.3. Functie-instellingen

6.3.1. Voor afstandsbediening met draad

① (Fig. 6-11)

- Selecteer "Service" in het Main menu (Hoofdmenu) en druk op de toets [SELECTEREN].
- Selecteer "Function settings" (Functie-instellingen) met de functietoets [F1] of [F2] en druk op de toets [SELECTEREN].

② (Fig. 6-12)

- Stel de koeladressen van de binneneenheid en unitnummers in met de knoppen [F1], [F2], [F3] en [F4], en druk vervolgens op de toets [SELECTEREN] om de huidige instelling te bevestigen.

<Het unitnummer van de binneneenheid controleren>

Wanneer op de toets [SELECTEREN] wordt gedrukt, gaat de ventilator van de opgegeven binneneenheid draaien. Bij gebruik in groep of wanneer alle units worden gebruikt, gaat de ventilator van alle binneneenheden voor het geselecteerde koelmiddeladres draaien.

③ (Fig. 6-13)

- Wanneer het verzamelen van gegevens van de binneneenheden is voltooid, worden de huidige instellingen gemarkeerd weergegeven. Niet-gemarkeerde items zijn items waarvoor geen instellingen zijn opgegeven. De weergave van het scherm hangt af van de instelling voor "Unit No."

④ (Fig. 6-14)

- Gebruik de [F1]- of [F2]-knop om de cursor te verplaatsen en het modusnummer te selecteren, en wijzig het instellingsnummer vervolgens met de [F3]- of [F4]-knop.

⑤ (Fig. 6-15)

- Als u klaar bent met instellen drukt u op de toets [SELECTEREN] om de instellingsgegevens te verzenden vanaf de afstandsbediening naar de binneneenheden.
- Als de overdracht succesvol verlopen is, keert het scherm terug naar het scherm Function setting.

6.3.2. Voor draadloze afstandsbediening

① Ga naar de modus voor functieselectie

Houd de toets [MENU] 5 seconden ingedrukt.

(Begin deze bediening met uitgeschakelde schermweergave op de afstandsbediening.)

[CHECK] wordt verlicht en "00" knippert. (Fig. 6-16)

Druk op de toets [A] om "50" in te stellen.

Richt de draadloze afstandsbediening op de ontvanger van de binneneenheid en druk op de toets [SET].

② Stel het unitnummer in

Druk op de toets [A] om het unitnummer A in te stellen. (Fig. 6-17)

Richt de draadloze afstandsbediening op de ontvanger van de binneneenheid en druk op de toets [SET].

③ Kies een modus

Druk op de toets [B] om het modusnummer B in te stellen. (Fig. 6-18)

Richt de draadloze afstandsbediening op de ontvanger van de binneneenheid en druk op de toets [SET].

Huidige instellingsnummer: 1=1 piep (1 seconde)

2=2 piepen (elk 1 seconde)

3=3 piepen (elk 1 seconde)

④ Kies het instellingsnummer

Wijzig het instellingsnummer C met de toets [C]. (Fig. 6-19)

Richt de draadloze afstandsbediening op de ontvanger van de binneneenheid en druk op de toets [SET].

⑤ Wijzig meerdere functies achter elkaar

Herhaal stap ③ en ④ om meerdere functie-instellingen achter elkaar te wijzigen.

⑥ Rond functiekeuze af

Richt de draadloze afstandsbediening op de sensor van de binneneenheid en druk op de toets [OFF/ON].

Opmerking:

Stel de bovenstaande instellingen waar nodig in op Mr. Slim-units.

- Tabel 1 vat de instellopties samen voor elk modusnummer.
- Zorg dat u de instellingen van alle functies opschrijft indien er begininstellingen gewijzigd zijn na het voltooiën van het installatiewerk.

6. Elektrische aansluitingen

Functietabel (Tabel 1)

Selecteer eenheidnummer 00

Modus	Instellingen	Modusnummer	Instellingsnummer	Begininstelling	Instelling
Automatisch herstel van stroomuitval	Niet beschikbaar	01	1		
	Beschikbaar *1		2	O *2	
Binnentemperatuurdetectie	Binnenapparaat gemiddelde werking	02	1	O	
	Instellen met afstandsbediening van binnenapparaat		2		
	Interne sensor van afstandsbediening		3		
LOSSNAY-verbinding	Niet ondersteund	03	1	O	
	Ondersteund (binnenapparaat is niet voorzien van buitenluchtoevoer)		2		
	Ondersteund (binnenapparaat is niet voorzien van buitenluchtoevoer)		3		
Stroomsterkte	240 V	04	1		
	220 V, 230 V		2	O	

Selecteer eenheidnummers 01 tot en met 03 of alle nummers (AL [afstandsbediening met snoer] / 07 [draadloze afstandsbediening])

Modus	Instellingen	Modusnummer	Instellingsnummer	Begininstelling	Instelling
Filterteken	100 uur	07	1		
	2500 uur		2	O	
	Geen filtertekenindicator		3		
Ventilatorsnelheid	Stil (Laag plafond)	08	1		
	Standaard		2	O	
	Hoog plafond		3		
Aantal luchtuitlaten	4 richtingen	09	1	O	
	3 richtingen		2		
	2 richtingen		3		
Geïnstalleerde opties (filter met hoge efficiëntie)	Niet ondersteund	10	1	O	
	Ondersteund		2		
Blad omhoog/omlaag	Omlaag gericht (Lamelinstelling ③)	11	1		
	Middelste instelling (Lamelinstelling ①)		2		
	Geen instelling (Lamelinstelling ②)		3	O	
Ventilatorsnelheid wanneer koel- thermostaat UIT is.	Instelling ventilatorsnelheid	27	1		
	Stop		2		
	Extra langzaam		3	O	

*1 Als de voeding terugkeert, zal de airconditioning 3 minuten later beginnen.

*2 Automatisch herstel van de initiële instellingen bij een stroomstoring is afhankelijk van het aangesloten buitenapparaat.

7. Proefdraaien

7.1. Voordat u gaat proefdraaien

- ▶ Controleer nadat u de binnen-en buitenapparaten, inclusief pijpen en bedrading, volledig heeft geïnstalleerd het geheel op lekken van koelstof, losse elektrische contacten in voeding of besturingsbedrading en polariteit en controleer of er geen verbreking van een fase in de voeding is.
- ▶ Controleer met behulp van een megohmmeter van 500 volt of de weerstand tussen de netspanningsaansluitpunten en de aarde minimaal 1,0 MΩ bedraagt.

- ▶ Voer deze test niet uit op de aansluitpunten van de besturingsbedrading (laagspanningscircuit).

⚠ **Waarschuwing:**

U mag de airconditioner niet gebruiken als de isolatieweerstand minder dan 1,0 MΩ bedraagt.

7.2. Proefdraaien

7.2.1. Afstandsbediening met draad

- Lees de bedieningshandleiding voordat u gaat proefdraaien. (Met name de veiligheidsinstructies)

Stap 1 Schakel de stroom in.

- Afstandsbediening: Het systeem wordt in de opstartmodus gezet, het AAN/UIT-lampje van de afstandsbediening gaat groen knipperen en het bericht "PLEASE WAIT" (EVEN GEDULD) knippert. Terwijl het lampje en bericht knipperen, kan de afstandsbediening niet worden gebruikt. Wacht tot "PLEASE WAIT" (EVEN GEDULD) is verdwenen voordat u de afstandsbediening gebruikt. Na het inschakelen van de afstandsbediening is het bericht "PLEASE WAIT" (EVEN GEDULD) ongeveer 2 minuten zichtbaar.
- Bedieningspaneel van binnenunit: LED 1 gaat branden, LED 2 gaat branden (als het adres 0 is) of gaat uit (als het adres niet 0 is), en LED 3 gaat knipperen.
- Bedieningspaneel van buitenunit: LED 1 (groen) en LED 2 (rood) gaan branden. (Wanneer het systeem uit de opstartmodus komt, gaat LED 2 uit.) Als het bedieningspaneel van de buitenunit gebruikmaakt van een digitaal display, worden om de seconde beurtelings [-] en [-] weergegeven. Als het paneel na het uitvoeren van stap 2 en de daaropvolgende stappen niet goed werkt, kan dit te wijten zijn aan een van de volgende oorzaken. Ga na of dit het geval is en los eventuele problemen op. (De volgende symptomen treden op in de modus "Test run" (Proefdraaien). "Startup" (Opstarten) in de tabel heeft betrekking op het bovenvermelde LED-display.)

Symptomen in modus "Test run" (Proefdraaien)		Oorzaak
Display van afstandsbediening	LED-display van bedieningspaneel van buitenunit <> duidt digitaal display aan.	
"PLEASE WAIT" (EVEN GEDULD) wordt weergegeven en de afstandsbediening werkt niet.	Na de weergave van "startup" (opstarten) gaat alleen het groene lampje branden. <00>	• Na aanzetten is 2 minuten lang "PLEASE WAIT" (Een ogenblik geduld) zichtbaar terwijl het systeem wordt opgestart. (Dit is normaal.)
Na aanzetten is 3 minuten lang "PLEASE WAIT" (EVEN GEDULD) zichtbaar, waarna een foutcode wordt weergegeven.	Na de weergave van "startup" (opstarten) gaan het groene en rode lampje beurtelings eenmaal knipperen. <F1>	• Onjuiste verbinding van het aansluitblok (buiten) (R, S, T en S ₁ , S ₂ , S ₃ .)
	Na de weergave van "startup" (opstarten) gaan het groene en rode lampje respectievelijk eenmaal en tweemaal beurtelings knipperen. <F3, F5, F9>	• Het aansluitstuk voor het beschermingsapparaat van de buitenunit is open.
Het display blijft leeg terwijl de afstandsbediening met de AAN/UIT-toets is aangezet. (Het bedrijfslampje brandt niet.)	Na de weergave van "startup" (opstarten) gaan het groene en rode lampje respectievelijk tweemaal en eenmaal beurtelings knipperen. <EA, Eb>	• Onjuiste bedrading tussen de binnen- en buitenunit (polariteit is verkeerd voor S ₁ , S ₂ , S ₃).
	Na de weergave van "startup" (opstarten) gaat alleen het groene lampje branden. <00>	• Snoer van de afstandsbediening is te kort. • Er is geen buitenunit met adres 0. (Het adres is een ander nummer dan 0.) • Het snoer van de afstandsbediening is niet goed aangesloten.
Het display wordt geactiveerd maar gaat snel weer uit, zelfs bij gebruik van de afstandsbediening.	Na de weergave van "startup" (opstarten) gaat alleen het groene lampje branden. <00>	• Na het annuleren van een geselecteerde functie is de apparatuur ongeveer 30 seconden buiten bedrijf. (Dit is normaal.)

Stap 2 Zet de afstandsbediening op "Test run" (Proefdraaien).

- ① Selecteer "Test run" (Proefdraaien) in het Service-menu en druk op de toets [SELECTEREN]. (Fig. 7-1)
- ② Selecteer "Test run" (Proefdraaien) in het Test run-menu (Proefdraaien) en druk op de toets [SELECTEREN]. (Fig. 7-2)
- ③ Het proefdraaien gaat van start en het scherm Test run (Proefdraaien) wordt weergegeven.

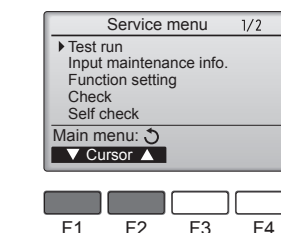


Fig. 7-1

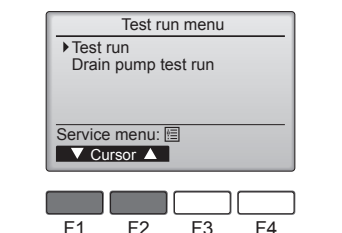


Fig. 7-2

Stap 3 Voer het proefdraaien uit en controleer de luchtstroomtemperatuur en automatische waaierinstelling.

- ① Druk op de functietoets [F1] om de bedieningsstand te wijzigen. (Fig. 7-3)
Koelstand: controleer of er koude lucht uit de unit wordt geblazen.
Verwarmingsstand: controleer of er warme lucht uit de unit wordt geblazen.
- ② Druk op de toets [SELECTEREN] om het scherm voor waaierinstelling (Vane) weer te geven en druk op de functietoetsen [F1] en [F2] om de automatische waaierinstelling te controleren. (Fig. 7-4)
Druk op de [TERUG]-toets om terug te gaan naar het scherm Test run (Proefdraaien).

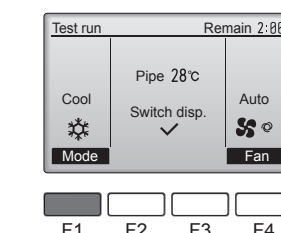


Fig. 7-3

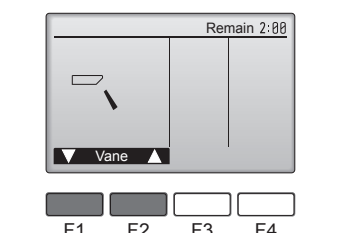


Fig. 7-4

7. Proefdraaien

Stap 4 Controleer of de ventilator van de buitenunit goed werkt.

De snelheid van de ventilator van de buitenunit wordt geregeld om de prestaties van de unit te controleren. Afhankelijk van de omgevingstemperatuur draait de ventilator langzaam en wordt de snelheid alleen verhoogd als de prestaties ontoereikend zijn. Het kan dus gebeuren dat de ventilator door windvlagen ophoudt met draaien of in de tegenovergestelde richting gaat draaien, maar dit is geen probleem.

Stap 5 Stop het proefdraaien.

① Druk op de [AAN/UIT]-toets om het proefdraaien te stoppen. (Het Test run-menu (Proefdraaien) wordt weergegeven.)
Opmerking: zie de volgende tabel als er een fout op de afstandsbediening wordt weergegeven.

LCD	Beschrijving van storing	LCD	Beschrijving van storing	LCD	Beschrijving van storing
P1	Inlaatsensorfout	P9	Pijpsensorfout (dubbelwandige pijp)	E0 – E5	Communicatiefout tussen de afstandsbediening en de binnenunit
P2	Pijpsensorfout (vloeistofpijp)	PA	Lekkagefout (koelsysteem)		
P4	Vlotterschakelaar voor afvoer losgekoppeld (CN4F)	Pb	Fout ventilatormotor binnenunit		
P5	Actie t.b.v. overloopbeveiliging voor afvoer	PL	Abnormaal koelmiddelcircuit	E6 – EF	Communicatiefout tussen de binnenunit en de buitenunit
P6	Actie t.b.v. bevroerings-/oververhittingsbeveiliging	FB	Fout bedieningspaneel binnenunit		
P8	Pijptemperatuurfout	U*, F* (* staat voor een alfanumeriek teken met uitzondering van FB.)	Storing buitenunit. Raadpleeg het aansluitschema voor de buitenunit.		

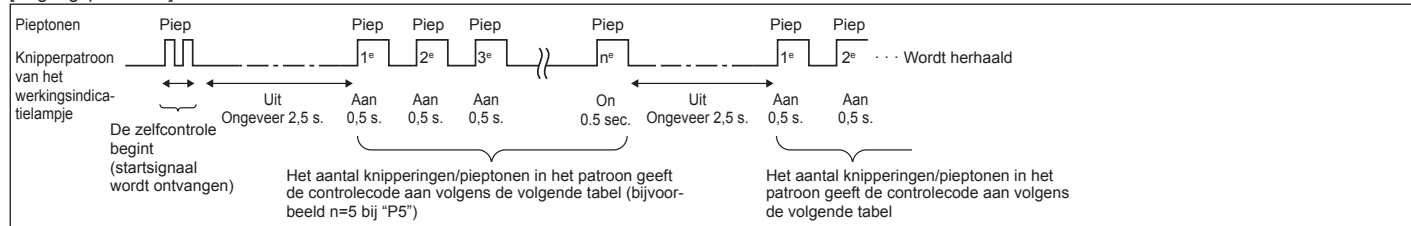
Zie de volgende tabel voor de informatie over het LED-display (LED 1, 2 en 3) op het bedieningspaneel van de binnenunit.

LED 1 (voeding voor microcomputer)	Geeft aan of er spanning voor de bediening wordt geleverd. Zorg ervoor dat deze LED altijd brandt.
LED 2 (voeding voor afstandsbediening)	Geeft aan of er spanning aan de afstandsbediening met draad wordt geleverd. De LED brandt alleen voor de binnenunit die is aangesloten op de buitenunit met het adres 0.
LED 3 (communicatie tussen binnen- en buitenunit)	Geeft aan of de binnen- en buitenunit met elkaar communiceren. Zorg ervoor dat deze LED altijd knippert.

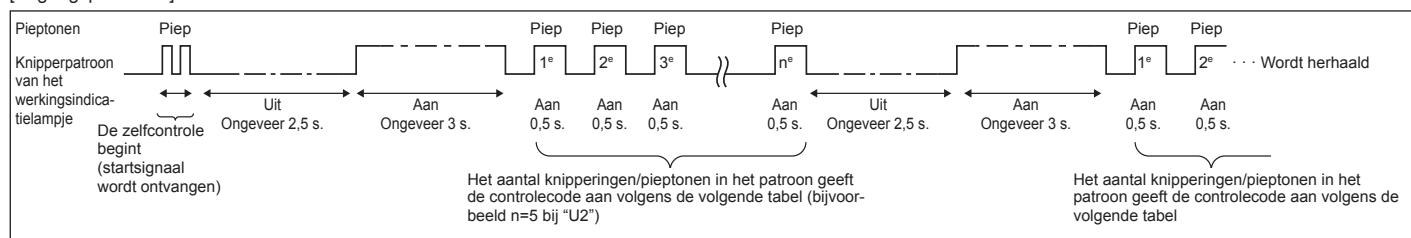
7.3. Zelfcontrole

- Raadpleeg installatiehandleiding van de afstandsbediening voor meer informatie.
- Zie de volgende tabellen voor uitleg over de controlecodes. (Draadloze afstandsbediening)

[Uitgangspatroon A]



[Uitgangspatroon B]



7. Proefdraaien

[Uitgangspatroon A] Fouten gedetecteerd door het binnenapparaat

Draadloze afstandsbediening	Afstandsbediening med draad	Symptoom	Opmerking
Pieptonen/knipperingen (aantal malen)	Controlecode		
1	P1	Inlaatsensorfout	
2	P2	Pijpsensorfout (TH2)	
	P9	Pijpsensorfout (TH5)	
3	E6, E7	Communicatiefout binnen-/buitenapparaat	
4	P4	Afvoersensorfout /Vlotteschakelaar-aansluiting open	
5	P5	Afvoerpompfout	
	PA	Geforceerde fout compressor	
6	P6	Beveiligingsactie in geval van bevriezing/oververhitting	
7	EE	Communicatiefout tussen binnen- en buitenapparaten	
8	P8	Pijptemperatuurfout	
9	E4	Ontvangstfout signaal afstandsbediening	
10	—	—	
11	Pb	Fout ventilatormotor binnenunit	
12	Fb	Fout besturingssysteem binnenapparaat (geheugenfout, enz.)	
14	PL	Abnormaal koelmiddelcircuit	
Geen geluid	E0, E3	Transmissiefout afstandsbediening	
Geen geluid	E1, E2	Fout bedieningspaneel afstandsbediening	
Geen geluid	— — —	Geen respons	

[Uitgangspatroon B] Fouten gedetecteerd door andere apparaten dan het binnenapparaat (buitenapparaat, enz.)

Draadloze afstandsbediening	Afstandsbediening med draad	Symptoom	Opmerking
Pieptonen/knipperingen (aantal malen)	Controlecode		
1	E9	Communicatiefout binnen-/buitenapparaat (zendfout) (buitenapparaat)	Zie voor nadere informatie het LED-display van de bestu- ringskaart van het buitenap- paraat.
2	UP	Overstroomonderbreking compressor	
3	U3, U4	Thermistors van het buitenapparaat geopend/kortgesloten	
4	UF	Overstroomonderbreking compressor (bij vergrendelde compressor)	
5	U2	Abnormaal hoge uitstoottemperatuur/49C-werking/onvoldoende koelstof	
6	U1, Ud	Abnormaal hoge druk (63H-werking)/oververhittingsbeveiliging aangesproken	
7	U5	Abnormale temperatuur van het koellichaam	
8	U8	Beveiligingsstop van de ventilator van het buitenapparaat	
9	U6	Overstroomonderbreking compressor/afwijking van de voedingsmodule	
10	U7	Te sterke verwarming door te lage afvoertemperatuur	
11	U9, UH	Afwijking zoals te hoge of te lage spanning of afwijkend synchroon signaal naar het netvoedingscircuit/stroomsensorfout	
12	—	—	
13	—	—	
14	Andere	Andere fouten (Zie de technische handleiding voor het buitenapparaat.)	

*1 Er zijn geen fouten geregistreerd indien de signaalgever niet na de eerste twee pieptonen klinkt om te bevestigen dat het zelf-controlesignaal was ontvangen en het werkingsindicatielampje niet is gaan branden.

*2 Als de signaalgever na de eerste twee piepsignalen drie maal achter elkaar een piepton geeft "piep, piep, piep (0,4 + 0,4 + 0,4 s)" om te bevestigen dat het startsignaal van de zelfcontrole was ontvangen, is het aangegeven koelstofadres verkeerd.

- Draadloze afstandsbediening
De ononderbroken zoemergeluiden zijn afkomstig uit het ontvangstgedeelte van het binnenapparaat.
Het knipperen van het bedieningslampje.
- Afstandsbediening met snoer
Controleer de code die in het LCD-scherm wordt weergegeven.

7. Proefdraaien

- Indien het apparaat niet op de juiste manier kan worden bediend nadat het bovenstaande proefdraaien is uitgevoerd, dient u de onderstaande tabel te raadplegen om de oorzaak weg te nemen.

Symptoom		Oorzaak
Afstandsbediening met draad	LED 1, 2 (PCB in outdoor unit)	
PLEASE WAIT	Gedurende ongeveer 2 minuten na het inschakelen	Na het verlichten van LED 1 en 2 wordt LED 2 uitgeschakeld en blijft alleen LED 1 verlicht. (Juiste werking)
PLEASE WAIT → Foutcode	Nadat ongeveer 2 minuten zijn verstreken na het inschakelen	•Gedurende ongeveer 2 minuten na het inschakelen is het gebruik van de afstandsbediening niet mogelijk vanwege het opstarten van het systeem. (Juiste werking)
Schermb berichten verschijnen niet terwijl de bedieningsschakelaar is ingeschakeld (bedieningslampje licht niet op).		Alleen LED 1 wordt verlicht. → LED 1 en 2 knipperen. Alleen LED 1 wordt verlicht. → LED 1 knippert tweemaal, LED 2 knippert eenmaal.

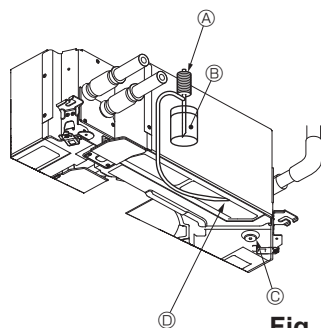
Bij een draadloze afstandsbediening zoals hierboven beschreven, is het volgende van toepassing:

- Er worden geen signalen van de afstandsbediening geaccepteerd.
- De OPERATION-lamp knippert.
- De zoemer maakt een kort piepend geluid.

Opmerking:

Bediening is niet mogelijk gedurende ongeveer 30 seconden na het annuleren van de functieselectie. (Juiste werking)

Raadpleeg pagina 72 voor een beschrijving van elke LED (LED 1, 2, 3) op de bedieningseenheid van het binnenapparaat.



- Ⓐ Watertoevoer pomp
- Ⓑ Water (ongeveer 1000cc)
- Ⓒ Draineerplug
- Ⓓ Laat water door de afvoer stromen
- Zorg ervoor dat er geen water komt in het draineerpompmechanisme.

Fig. 7-5

7.4. Controle van de drainage (Fig. 7-5)

- Controleer dat tijdens het proefdraaien het water correct afwatert en dat er geen water uit de afsluitingen lekt.

Als het elektrawerk is voltooid.

- Laat tijdens het proefdraaien in de koelstand water stromen (raadpleeg 7.2.) en controleer.

Als het elektrawerk niet is voltooid.

- Laat water stromen tijdens nooduitvoering en controleer.

* Drainage en ventilator worden gelijktijdig geactiveerd als éénfasig 220-240 V wordt ingeschakeld op S1 en S2 op het aansluitblok, nadat de aansluiting (SWE) op het bedieningspaneel in de elektrische contactdoos op AAN is gezet.

Zorg dat u het weer in de oorspronkelijke staat brengt na voltooiing van het werk.

8. Het systeem controleren

Raadpleeg de installatiehandleiding van het buitenapparaat.

9. Het rooster installeren

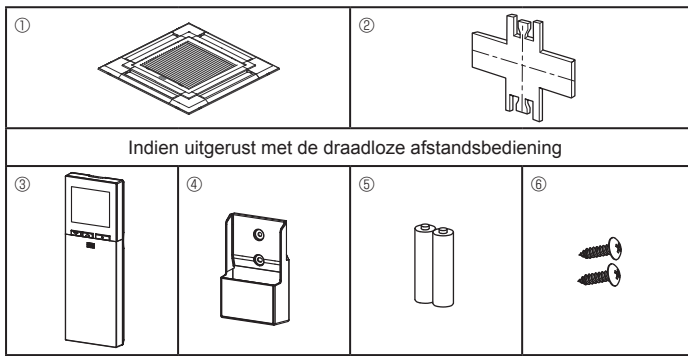


Fig. 9-1

9.1. De inhoud controleren (Fig. 9-1)

- Deze uitrusting bevat deze handleiding en de volgende onderdelen.

	Accessoire naam	Hoeveelheid	Opmerking
①	Rooster	1	950 × 950 (mm)
②	Meetplaatje voor installatie	1	(In 4 delen verdeeld)
③	Draadloze afstandsbediening	1	voor PLP-6EALM
④	Houder voor afstandsbediening	1	Meegeleverd indien uitgerust met de draadloze afstandsbediening.
⑤	LR6 AA-batterijen	2	Meegeleverd indien uitgerust met de draadloze afstandsbediening.
⑥	3,5 × 16 mm zelftappende schroeven	2	Meegeleverd indien uitgerust met de draadloze afstandsbediening.

9.2. Voorbereidingen om het rooster vast te maken (Fig. 9-2)

- Met het in deze set meegeleverde meetapparaat ② regelt en controleert u de relatieve positie van het hoofdapparaat ten opzichte van het plafondoppervlak. Als het hoofdapparaat niet goed is gepositioneerd ten opzichte van het plafondoppervlak, kan er lucht lekkage of condensatie ontstaan.
- Zorg ervoor dat de opening in het plafond binnen de volgende toleranties valt: 860 × 860 - 910 × 910
- Zorg dat stap A binnen het bereik 17 - 22 mm blijft. Als u niet binnen dit bereik blijft, kan dit leiden tot beschadiging.

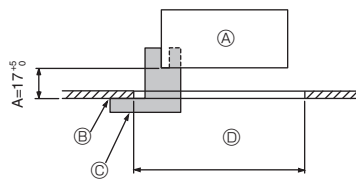


Fig. 9-2

- Ⓐ Apparaat
- Ⓑ Plafond
- Ⓒ Meetplaatje voor installatie ② (geplaatst in het hoofdapparaat)
- Ⓓ Afmetingen opening plafond

9.2.1. Verwijderen van de gril van de inlaatopening (Fig. 9-3)

- Schuif de hendels in de richting die wordt aangegeven door de pijl ① om de gril van de inlaatopening te openen.
- Maak de haak los waarmee de gril vastzit.
* Maak de haak van de gril voor de inlaatopening niet los.
- Verwijder nu het scharnier van de gril van de inlaatopening zoals aangegeven door de pijl ②, terwijl de gril in de geopende positie staat.

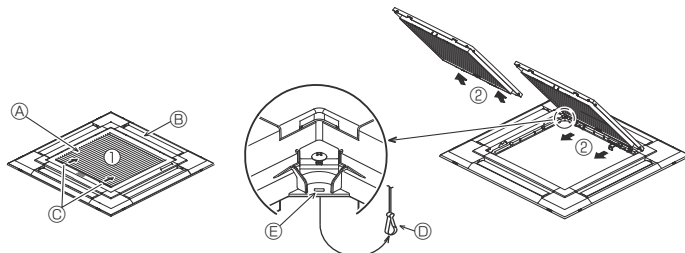


Fig. 9-3

9.2.2. Verwijderen van het hoekpaneel (Fig. 9-4)

- Maak de 4 schroeven op de hoek los. Schuif het hoekpaneel in de richting van pijl ① in de afbeelding en verwijder het hoekpaneel.

[Fig.9-3] [Fig.9-4]

- Ⓐ Gril van inlaatopening
- Ⓑ Gril ①
- Ⓒ Hendels van gril van inlaatopening
- Ⓓ Haak van gril
- Ⓔ Opening voor de haak van de gril
- Ⓕ Hoekpaneel
- Ⓖ Schroef
- Ⓗ Detail

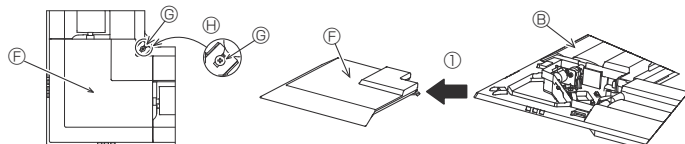


Fig. 9-4

	4 richtingen	3 richtingen
Patronen van de luchtuitlaatrictingen	1 patroon: Fabrieksinstelling 	4 patronen: Een luchtuitgang volledig gesloten
Patronen van de luchtuitlaatrictingen	2 richtingen 6 patronen: Twee luchtuitgangen volledig gesloten 	

Tabel 1

9.3. De luchtuitlaten selecteren

Dit rooster beschikt over 11 patronen voor de uitblaasrichting. Door tevens de afstandsbediening op de geschikte afstelling in te stellen, kunt u de luchstroom en de blaasnelheid aanpassen. Kies de vereiste instellingen uit de Tabel 1, aan de hand van de plaats waar u het apparaat wilt installeren. (Er moeten meer dan twee richtingen worden geselecteerd.)

- Kies een van de patronen voor de uitblaasrichting.
- Zorg ervoor dat u de afstandsbediening correct instelt op het aantal luchtuitlaten en de hoogte van het plafond waarop het hoofdapparaat wordt geïnstalleerd. (Zie pagina 70.)

Opmerking:

- Wanneer u het aantal richtingen wijzigt, hebt u een afsluitplaat voor de luchtuitlaat nodig; dit is een optioneel onderdeel.
- Selecteer geen 2 richtingen in een warme en vochtige omgeving. (Er kan condensvorming of -neerslag ontstaan.)

9.4. Het rooster installeren

9.4.1. Voorbereidingen (Fig. 9-5)

Zorg ervoor dat u de 2 haken op de gril omhoog duwt.

<Haak staat omhoog>

<Haak is in de verlaagde positie>

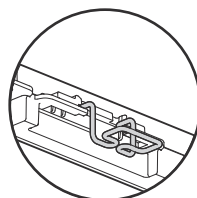
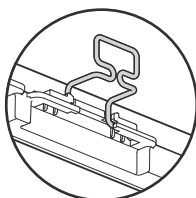


Fig. 9-5

9. Het rooster installeren

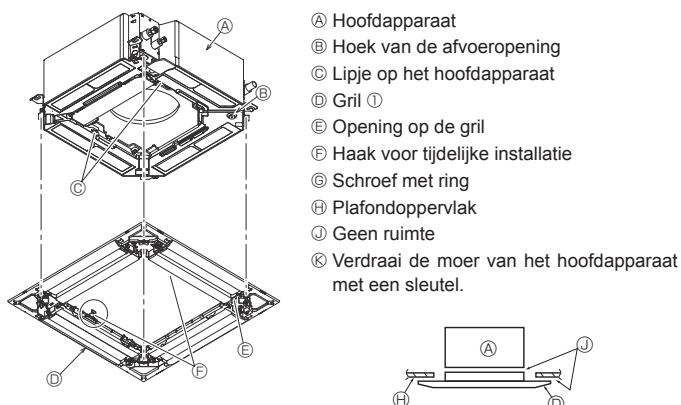


Fig. 9-6

< Tijdelijke installatie van de grill >

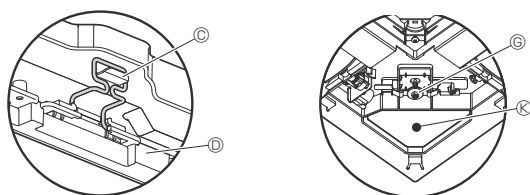


Fig. 9-7

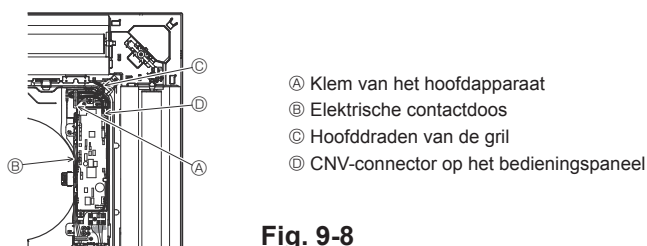


Fig. 9-8

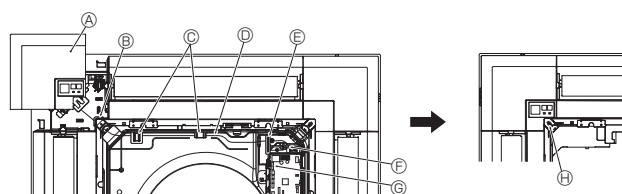


Fig. 9-9

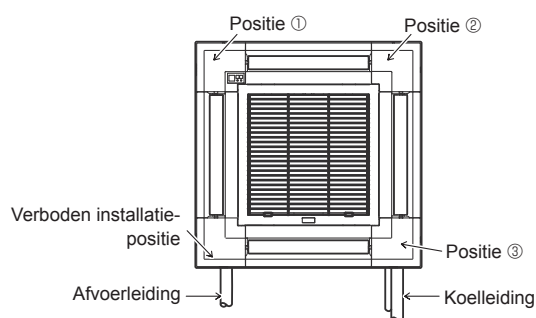


Fig. 9-10

9.4.2. Tijdelijke installatie van de grill (Fig. 9-6)

- Breng de hoek van de afvoeropening op het hoofdapparaat samen met de hoek van de opening op de grill en verbind beide hoeken tijdelijk door de haak van de grill aan het lipje van het hoofdapparaat te hangen.

9.4.3. Vastzetten van de grill

- Zet de grill aan het hoofdapparaat vast door de eerder geïnstalleerde schroeven aan te draaien. (Fig. 9-6)
- Opmerking:
Let er goed op dat er geen ruimte blijft tussen het hoofdapparaat en de grill of tussen de grill en het plafondoppervlak. (Fig. 9-6)

Als er ruimte zit tussen de grill en het plafond:

Stel, nadat de grill is bevestigd, de installatiehoogte van het hoofdapparaat enigszins bij en werk de ruimte weg.

⚠ Voorzichtig:

- Voor het aanspannen van de schroef gebruikt u een aanhaalmoment van 2,8 Nm tot 3,6 Nm. Gebruik nooit een slagschroevendraaier.
- Nadat de schroeven zijn aangedraaid, controleert u of de twee grillhaken (Fig. 9-6) zijn bevestigd aan de haken op de hoofdunit.

9.4.4. Aansluiten van de bedrading (Fig. 9-8)

- Maak de 2 schroeven los die de afdekking van de elektrische contactdoos op het hoofdapparaat dichthouden en schuif de afdekking open.
- Leid de hoofddraad van de kant van de elektrische contactdoos.
- Zorg ervoor dat u aansluit op de vinmotor (wit, 20-polig) aansluit op de CNV-aansluiting (wit) op het bedieningspaneel van het hoofdapparaat.
- Hoofddraden die vanaf de grill worden geleid, moeten met een klem in de elektrische contactdoos bij elkaar worden gehouden zonder dat er speling ontstaat.

9.4.5. Signaalontvanger installeren (Fig. 9-9)

- Leid de hoofddraad (wit, 9-polig) voor het hoekpaneel met signaalontvanger vanaf de zijde van de elektrische contactdoos op het hoofdapparaat.
 - Zorg ervoor dat u aansluit op CN90 (wit) op het bedieningspaneel.
 - Zorg ervoor dat de hoofddraad van het hoekpaneel met signaalontvanger door de klem van de belvormige opening wordt geleid.
 - De resterende hoofddraden moeten met een klem in de elektrische contactdoos bij elkaar worden gehouden zonder dat er speling ontstaat.
 - Zet de afdekking terug op de elektrische contactdoos met 2 schroeven.
- Opmerking:
Zorg ervoor dat er geen draden vast komen te zitten in de afdekking van de elektrische contactdoos.
Bevestig het hoekpaneel met signaalontvanger aan het paneel en zet het vast met de schroef.
Het hoekpaneel met signaalontvanger kan niet worden bevestigd aan de zijde van de afvoerleiding van het hoofdapparaat. (Raadpleeg Fig. 9-10)

- A Hoekpaneel met signaalontvanger
- B Opening van de grill (hoofddraad doorheen leiden)
- C Klem van belvormige opening
- D Bedrading
- E Klem
- F Kabelband (hoofddraad vastzetten)
- G CN90 op bedieningspaneel
- H Schroef

9. Het rooster installeren

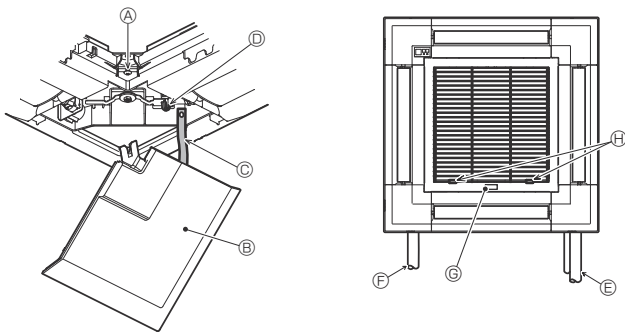


Fig. 9-11

9.5. Het inlaatrooster monteren (Fig. 9-11)

Opmerking:

Als u de hoekpanelen weer installeert (met aan beide een veiligheidsband bevestigd), sluit het andere einde van de veiligheidsbanden dan aan op de grill, zoals getoond in de afbeelding.

* Als de hoekpanelen niet goed vastzitten, kan het gebeuren dat deze van het hoofdapparaat vallen.

• Voer de procedure uit die wordt beschreven in "9.2. Voorbereidingen om het rooster vast te maken" uit in omgekeerde volgorde om de inlaatgril en het hoekpaneel te installeren.

• De richting van de inlaatgril kan worden aangepast aan de wensen van de klant.

Ⓐ Schroef (4 × 16)

Ⓑ Hoekpaneel

Ⓒ Veiligheidsband

Ⓓ Haak

Ⓔ Koelleiding

Ⓕ Afvoerleiding

Ⓖ Bedrijfslogo

* Kan in elke gewenste richting worden bevestigd.

Ⓜ Positie van de hendels op de grill van de inlaatopening bij verscheping vanuit de fabriek

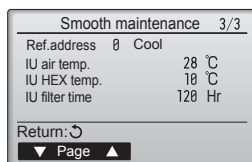
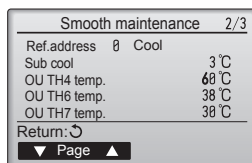
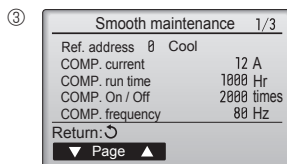
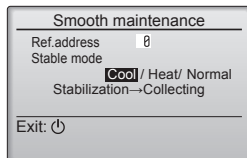
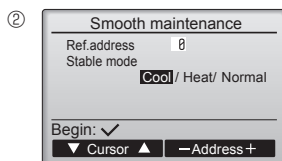
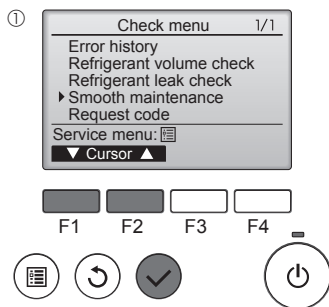
* Hoewel de klemmen in 4 verschillende richtingen kunnen worden geïnstalleerd, raden wij de hier getoonde configuratie aan. (De grill van de inlaatopening hoeft niet te worden verwijderd voor het uitvoeren van onderhoud aan de elektrische contactdoos van het hoofdapparaat.)

10. Functie voor gemakkelijk onderhoud

Onderhoudsgegevens, zoals de temperatuur van de warmtewisselaar en de bedrijfsstroom van de compressor voor de binnen-/buitenunit, kunnen worden weergegeven met "Smooth maintenance" (Gemakkelijk onderhoud).

* U kunt deze functie niet gebruiken tijdens het proefdraaien.

* Afhankelijk van de combinatie met de buitenunit wordt deze functie mogelijk niet door alle modellen ondersteund.



• Selecteer "Service" in het Main menu (Hoofdmenu) en druk op de toets [SELECTEREN].

• Selecteer "Check" (Controle) met de functietoets [F1] of [F2] en druk op de toets [SELECTEREN].

• Selecteer "Smooth maintenance" (Gemakkelijk onderhoud) met de functietoets [F1] of [F2] en druk op de toets [SELECTEREN].

Selecteer elk item.

• Selecteer het item dat u wilt wijzigen met de functietoets [F1] of [F2].

• Selecteer de gewenste instelling met de functietoets [F3] of [F4].

Instelling "Ref. address" (Klm.-adres) "0" - "15"

Instelling "Stable mode" (Stabiele modus) "Cool" (Koelen) / "Heat" (Verwarmen) / "Normal" (Normaal)

• Druk op de toets [SELECTEREN]. De opgegeven bewerking wordt gestart.

* Stable mode (Stabiele modus) duurt ongeveer 20 minuten.

De bedrijfsgegevens worden weergegeven.

De gecumuleerde bedrijfstijd voor de compressor ("COMP. run" (COMP.-tijd)) wordt weergegeven in eenheden van 10 uur, en het aantal malen dat de compressor is gebruikt ("COMP. On/Off" (COMP. Aan/Uit)) in eenheden van 100 (zonder decimalen).

Navigeren door de schermen

- Terug naar het Main menu (Hoofdmenu)[MENU] -toets
- Terug naar het vorige scherm[TERUG] -toets

Contenido

1. Medidas de Seguridad	78	6. Trabajo eléctrico	84
2. Lugar en que se instalará	79	7. Prueba de funcionamiento	90
3. Instalación de la unidad interior	80	8. Sistema de control	93
4. Instalación de los tubos del refrigerante	82	9. Instalación de la rejilla	94
5. Tubería de drenaje	83	10. Función de mantenimiento fácil	96

Nota:
 En este manual de instalación, la frase "Controlador remoto cableado" se refiere solo a PAR-32MAA.
 Si necesita más información sobre el otro controlador remoto, consulte el manual de instalación o el manual de ajustes iniciales incluidos en estas cajas.

1. Medidas de Seguridad

- ▶ Antes de instalar la unidad, asegúrese de haber leído el capítulo de "Medidas de seguridad".
- ▶ Las "Medidas de seguridad" señalan aspectos muy importantes sobre seguridad. Es importante que se cumplan todos.
- ▶ Antes de conectar este equipo al sistema de suministro eléctrico, informe a su proveedor u obtenga su consentimiento.

SIGNIFICADO DE LOS SÍMBOLOS VISUALIZADOS EN LA UNIDAD

	ATENCIÓN (Riesgo de incendio)	Esta marca se refiere únicamente al refrigerante R32. El tipo de refrigerante está escrito en la placa de identificación de la unidad exterior. Si el tipo de refrigerante es R32, quiere decir que esta unidad utiliza un refrigerante inflamable. Si hay fugas de refrigerante y este entra en contacto con fuego o con fuentes de calor, se generarán gases perjudiciales y puede causarse un incendio.
		Lea detenidamente el MANUAL DE INSTRUCCIONES antes de utilizar el equipo.
		El personal de mantenimiento deberá leer detenidamente el MANUAL DE INSTRUCCIONES y el MANUAL DE INSTALACIÓN antes de utilizar el equipo.
		Encontrará más información en el MANUAL DE INSTRUCCIONES, en el MANUAL DE INSTALACIÓN y en documentos similares.

Símbolos utilizados en el texto

Atención:
 Describe precauciones que deben tenerse en cuenta para evitar el riesgo de lesiones o muerte del usuario.

Cuidado:
 Describe las precauciones que se deben tener para evitar daños en la unidad.

Símbolos utilizados en las ilustraciones

- : Indica una pieza que debe estar conectada a tierra.
- : Asegúrese de no hacerlo.

Después de terminar la instalación, explique las "Medidas de Seguridad", funcionamiento y mantenimiento de la unidad al cliente según el Manual de instrucciones y realice una prueba para asegurarse de que funciona correctamente. Entregue una copia del Manual de instalación y del Manual de instrucciones al usuario. Estos manuales deben pasar a usuarios posteriores del equipo.

Atención:

- Lea atentamente las etiquetas adheridas a la unidad principal.
- La instalación, la reubicación y las reparaciones de la unidad debe realizarlas un distribuidor o un técnico autorizado.
- El usuario no debe intentar reparar la unidad ni desplazarla a otra ubicación bajo ningún concepto.
- No modifique la unidad.
- Para los trabajos de instalación y reubicación, siga las instrucciones del Manual de instalación y utilice herramientas y componentes para tuberías fabricados específicamente para su uso con el refrigerante indicado en el manual de instalación de la unidad exterior.
- La unidad debe instalarse según las instrucciones para reducir posibles daños en caso de terremoto, huracán o vientos fuertes. Si no se instala correctamente, la unidad podría caerse y provocar daños o lesiones.
- La unidad debe instalarse firmemente sobre una estructura capaz de soportar su peso.
- El aparato debe guardarse en una zona bien ventilada, y la habitación debe tener el tamaño especificado para un funcionamiento correcto.
- Si el acondicionador de aire se instala en una habitación pequeña o cerrada, deberán tomarse medidas para evitar que la concentración de refrigerante exceda los límites de seguridad en caso de que se produzcan fugas de refrigerante. Si se produce una fuga de refrigerante que sobrepase los límites de concentración, la estancia en la sala puede ser peligrosa por falta de oxígeno.
- Mantenga los aparatos que utilizan combustibles gaseosos, calefactores eléctricos y otros elementos inflamables (fuentes de ignición) apartados del lugar donde se llevará a cabo la instalación, reparación y otras tareas en el acondicionador de aire.
 Si el refrigerante entra en contacto con una llama, se liberarán gases tóxicos.
- Si se produce una fuga de refrigerante durante el funcionamiento, ventile la sala. Si el refrigerante entra en contacto con una llama, se desprenderán gases nocivos.
- Todas las conexiones eléctricas deberán ser realizadas por un técnico cualificado según la normativa local y las instrucciones de este manual.
- Utilice solo cables especificados para el cableado. Las conexiones del cableado se deben realizar con seguridad sin que se ejerza tensión en las conexiones de los terminales. Asimismo, no empalme nunca los cables al realizar el cableado (a menos que se indique lo contrario en este documento). El hecho de no seguir estas instrucciones puede provocar un sobrecalentamiento o un incendio.
- Cuando instale o cambie de sitio el acondicionador de aire, o al realizar tareas de mantenimiento, utilice únicamente el refrigerante indicado en la unidad exterior para cargar los tubos del refrigerante. No lo mezcle con otro tipo de refrigerante y vacíe completamente de aire los tubos.
 Si el aire se mezcla con el refrigerante, podría producir una tensión anormalmente alta en el tubo del refrigerante y ocasionar una explosión u otros peligros.

Usar un refrigerante distinto al indicado para el sistema provocará un fallo mecánico, un funcionamiento defectuoso del sistema o la avería de la unidad. En el peor de los casos, podría suponer un grave impedimento para garantizar la seguridad del producto.

- El aparato eléctrico debe instalarse siguiendo las regulaciones vigentes del país en materia de cableado.
- Este aparato no debe ser utilizado por personas (incluidos niños) que presenten una discapacidad física, sensorial o mental, y tampoco por aquellos que no dispongan de la experiencia o el conocimiento necesario, a menos que lo hagan bajo la supervisión de una persona responsable de la seguridad o que hayan recibido instrucciones por parte de esta sobre uso del aparato.
- Los niños deben estar vigilados por personas adultas para impedir que jueguen con el equipo.
- El panel de la cubierta del bloque de terminales de la unidad debe colocarse firmemente.
- Si el cable de alimentación sufre daños, debe ser sustituido por el fabricante, su servicio técnico o personal con una cualificación equivalente para evitar cualquier peligro.
- Utilice sólo accesorios autorizados por Mitsubishi Electric y pida a su distribuidor o a un técnico autorizado que se los instale.
- Tras haber realizado la instalación, compruebe si hay fugas de refrigerante. Si en caso de fuga el refrigerante entra en contacto con las llamas de un calentador o de un equipo de cocina portátil, se desprenderán gases nocivos.
- Para acelerar el proceso de descongelación o para limpiar el aparato, utilice únicamente los medios recomendados por el fabricante.
- El aparato debe guardarse en una habitación sin fuentes de ignición en funcionamiento continuo (por ejemplo: llamas abiertas, un aparato de gas en funcionamiento o un calentador eléctrico en funcionamiento).
- No perforo ni queme el equipo.
- Tenga en cuenta que es posible que los refrigerantes no emitan olores.
- Las tuberías deben protegerse de posibles daños físicos.
- Las tuberías instaladas deben ser las mínimas.
- Deben observarse las normativas nacionales relativas al gas.
- Mantenga las aberturas de ventilación necesarias libres de obstáculos.
- No utilice una aleación para soldadura de baja temperatura si decide soldar los tubos de refrigerante.
- Cuando realice trabajos de soldadura, procure que la habitación esté bien ventilada.
 Compruebe que no haya materiales peligrosos o inflamables cerca de la zona de trabajo.
 Si trabaja en una habitación cerrada o pequeña, o en un lugar similar, compruebe que no haya fugas de refrigerante antes de realizar el trabajo.
 Si se producen fugas de refrigerante y este se acumula, puede encenderse o liberar gases tóxicos.

1. Medidas de Seguridad

1.1. Cuestiones previas a la instalación (Ambiente)

⚠ Cuidado:

- No utilice la unidad en un ambiente enrarecido. Si instala el aire acondicionado en áreas expuestas al vapor, aceite esencial (incluyendo el aceite para máquinas), o humo sulfúrico, áreas con alto contenido en sal como playas, el rendimiento puede verse reducido significativamente y las piezas internas pueden dañarse.
- No instale la unidad donde se puedan verter, producir, circular o acumular gases inflamables. Si se acumula gas inflamable en zonas próximas a la unidad, se podría producir un incendio o una explosión.
- No coloque alimentos, plantas, animales, obras de arte o instrumentos de precisión en la salida de aire directa de la unidad exterior o demasiado cerca de ella, ya que los cambios de temperatura o el agua que gotea podrían dañarlos.
- Cuando la humedad de la habitación supera el 80%, o cuando el tubo de drenaje esté obstruido, puede gotear agua de la unidad interior. No instale la unidad interior en lugares donde el goteo pueda causar daños.
- Si instala la unidad en un hospital o en un centro de comunicaciones, recuerde que la unidad produce ruidos e interferencias electrónicas. Los conmutadores, aparatos domésticos, equipos médicos de alta frecuencia y las comunicaciones de radio pueden provocar un mal funcionamiento o la avería del equipo de aire acondicionado. El equipo de aire acondicionado también puede afectar los equipos médicos e interrumpir los cuidados médicos, así como los equipos de comunicación y dañar la calidad de la pantalla.

1.2. Antes de la instalación o reubicación

⚠ Cuidado:

- Tenga mucho cuidado cuando mueva las unidades. Se necesitan dos o más personas para llevar la unidad ya que pesa 20 kg o más. No la sujete por las bandas de embalaje. Utilice guantes protectores ya que se podría lesionar con las aletas u otras partes.
- Guarde los embalajes en un lugar seguro. Los materiales de embalaje, como clavos y otras piezas de metal o de madera pueden producir pinchazos y otras lesiones.
- El tubo de refrigerante debe estar aislado térmicamente para evitar la condensación. Si el tubo de refrigerante no se aísla correctamente, se formará condensación.
- Sitúe material aislante térmico en las tuberías para evitar la condensación. Si el tubo de drenaje no se instala correctamente, se puede producir un escape de agua o daños en el techo, suelo, muebles u otros objetos.
- No limpie con agua el equipo de aire acondicionado. Puede sufrir una descarga eléctrica.
- Apriete las tuercas de abocardado a los niveles especificados mediante una llave dinamométrica. Si las aprieta demasiado, se pueden romper al cabo de un tiempo.
- Si se utiliza la unidad durante muchas horas y el aire del techo se encuentra a una temperatura alta/presenta una humedad elevada (punto de rocío por encima de los 26 °C), puede formarse rocío en la unidad interior o en los materiales del techo. Si utiliza las unidades en estas condiciones, coloque material aislante (10-20 mm) en toda la superficie de la unidad y en los materiales del techo para evitar la condensación.

1.3. Antes de la instalación eléctrica

⚠ Cuidado:

- Asegúrese de instalar disyuntores. Si no se instalan, se podrían producir descargas eléctricas.
- Use cables estándar de suficiente capacidad para las líneas eléctricas. Si no lo hace así, se podría producir un cortocircuito, un sobrecalentamiento o un incendio.
- Cuando instale las líneas eléctricas, los cables no deben tener corriente.
- Asegúrese de instalar una toma de tierra. Si la unidad no está bien conectada a la línea de tierra, se puede producir una descarga eléctrica.
- Utilice disyuntores (interruptor de falta de tierra, interruptor aislante (+fusible B) e interruptores en caja moldeada) con la potencia especificada. Si la potencia del interruptor es mayor que la especificada, puede ocurrir un incendio o una avería.

1.4. Antes de realizar las pruebas de funcionamiento

⚠ Cuidado:

- Conecte la corriente al menos 12 horas antes de que empiece a funcionar el equipo. Si se acciona inmediatamente después de haberlo conectado a la corriente, pueden producirse daños graves en las piezas internas.
- Antes de que comience a funcionar el equipo, compruebe que todos los paneles y protectores están instalados correctamente. Las piezas giratorias, calientes o de alto voltaje pueden provocar lesiones.
- No haga funcionar el equipo de aire acondicionado sin el filtro de aire instalado. Si el filtro de aire no está colocado, se puede acumular el polvo y se puede averiar el equipo.
- No toque ningún interruptor con las manos mojadas. Puede sufrir una descarga eléctrica.
- No toque la tubería del refrigerante sin guantes mientras durante el funcionamiento.
- Una vez deje de funcionar el aparato, espere cinco minutos antes de apagar el interruptor principal. De lo contrario, se puede producir un goteo de agua o una avería.

2. Lugar en que se instalará

Consulte el manual de instalación de la unidad exterior.

3. Instalación de la unidad interior

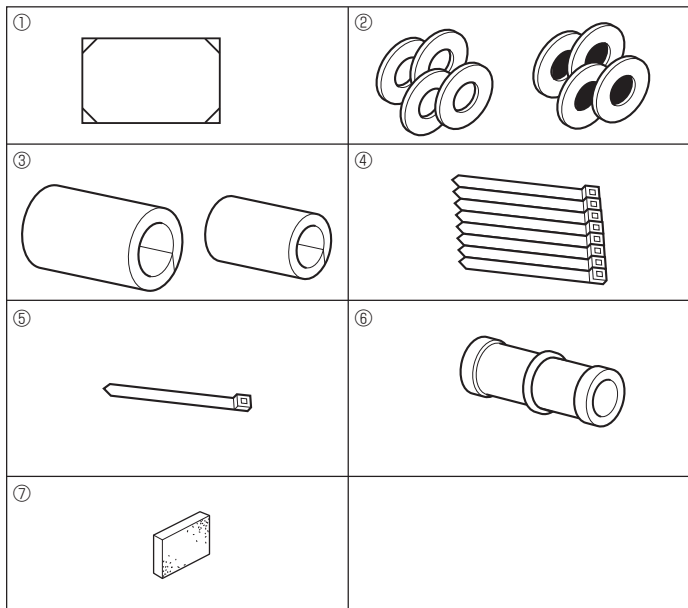


Fig. 3-1

3.1. Comprobación de los accesorios de la unidad interior (Fig. 3-1)

La unidad interior debe ir acompañada de los siguientes accesorios.

	Nombre accesorio	Cant.
①	Plantilla de instalación (parte superior del paquete)	1
②	Arandelas (con aislamiento)	4
	Arandelas (sin aislamiento)	4
③	Cubierta de tubería (para junta de tubería de refrigerante)	
	diámetro pequeño	1
	diámetro grande	1
④	Abrazadera (grande)	8
⑤	Abrazadera (pequeña)	1
⑥	Tubo de desagüe	1
⑦	Aislante	1

3.2. Apertura del techo y ubicación de los tornillos de suspensión (Fig. 3-2)

⚠ Precaución:

Instale la unidad interior como mínimo 2,5m por encima del nivel del suelo.

Para aplicaciones que no están disponibles para el público general.

• Mediante la plantilla de instalación (parte superior del paquete) y el calibre (suministrado como un accesorio junto a la rejilla), realice una apertura en el techo de forma que la unidad principal se pueda instalar tal y como se indica en el diagrama (el método de utilización de la plantilla y del calibre está indicado).

* Antes de utilizarlas, compruebe las dimensiones de la plantilla y del calibre ya que pueden cambiar por fluctuaciones de la temperatura y humedad.

* Las dimensiones de la apertura del techo pueden ajustarse dentro de los valores indicados en la Fig. 3-2; centre la unidad principal en la apertura asegurándose de que los lados opuestos respectivos alrededor de la apertura sean idénticos.

• Utilice tornillos de suspensión M10 (3/8").

* Los tornillos de suspensión no están incluidos en el envío.

• Instale la unidad asegurándose de que no queda espacio entre el panel de techo y la rejilla y entre la unidad principal y la rejilla.

- Ⓐ Lado exterior de la unidad principal
- Ⓑ Paso del tornillo
- Ⓒ Apertura en el techo
- Ⓓ Lado exterior de la rejilla
- Ⓔ Rejilla
- Ⓕ Techo
- Ⓖ Caja multifuncional (opcional)
- Ⓗ Toda la periferia

* Obsérvese que debe haber un espacio mínimo de 7 mm entre el panel de techo de la unidad y la placa de techo, etc.

* Si está instalada la caja multifuncional, añada 135 mm a las dimensiones indicadas en la ilustración.

(mm)

Modelos	A	B
SM71	241	258
SM100-140	281	298

3.3. Ubicaciones de los tubos de refrigerante y drenaje de la unidad interior (Fig. 3-3)

Las cifras marcadas mediante * en el gráfico representan el tamaño de la unidad principal sin tener en cuenta la caja multifuncional opcional.

- Ⓐ Tubo de drenaje
- Ⓑ Techo
- Ⓒ Rejilla
- Ⓓ Tubo de refrigerante (líquido)
- Ⓔ Tubo de refrigerante (gas)
- Ⓕ Unidad principal

* Cuando instale dicha caja, añada 135 mm a las dimensiones marcadas en la figura.

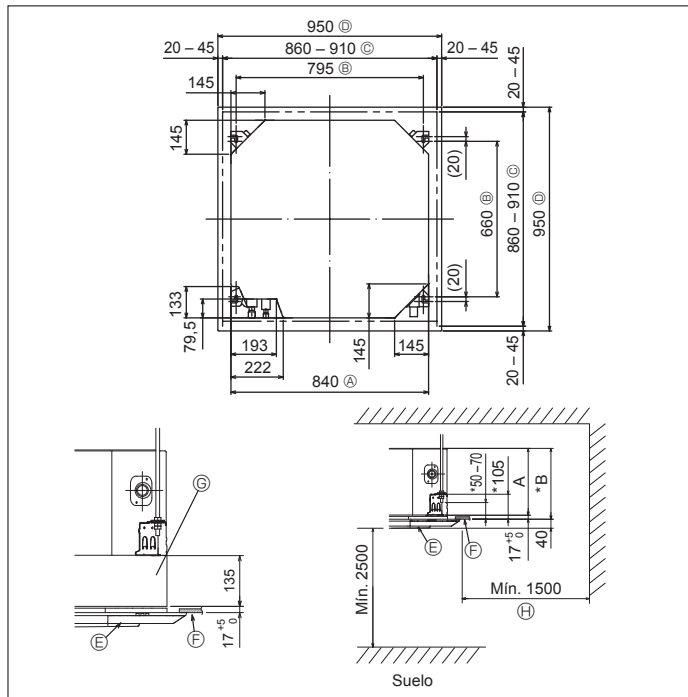


Fig. 3-2

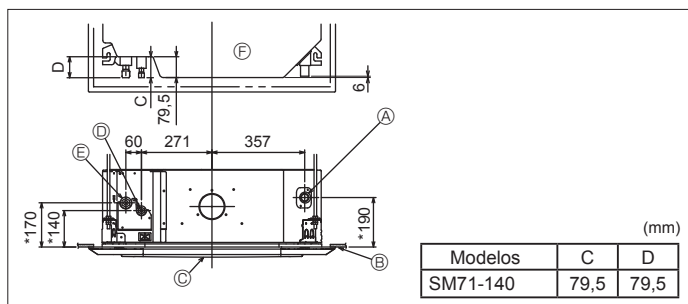


Fig. 3-3

3. Instalación de la unidad interior

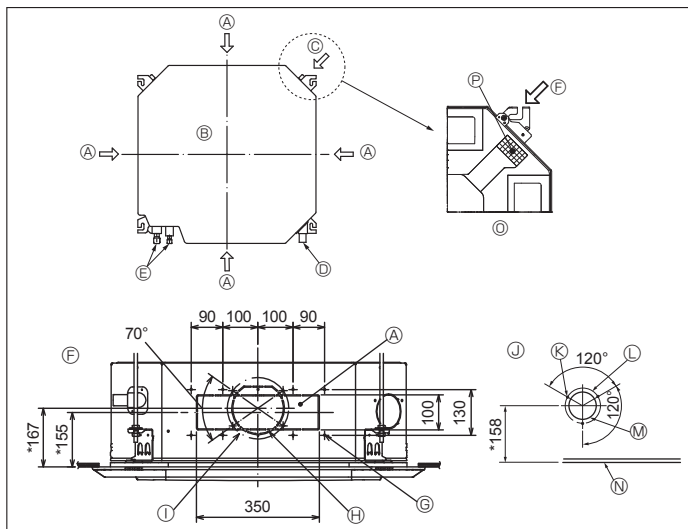


Fig. 3-4

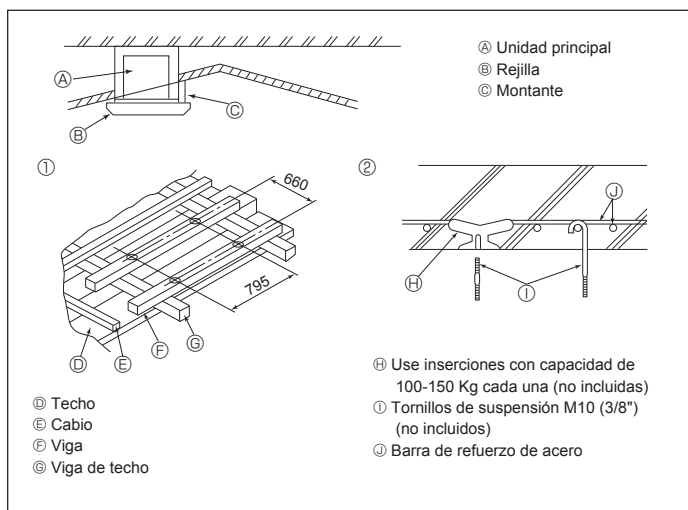


Fig. 3-5

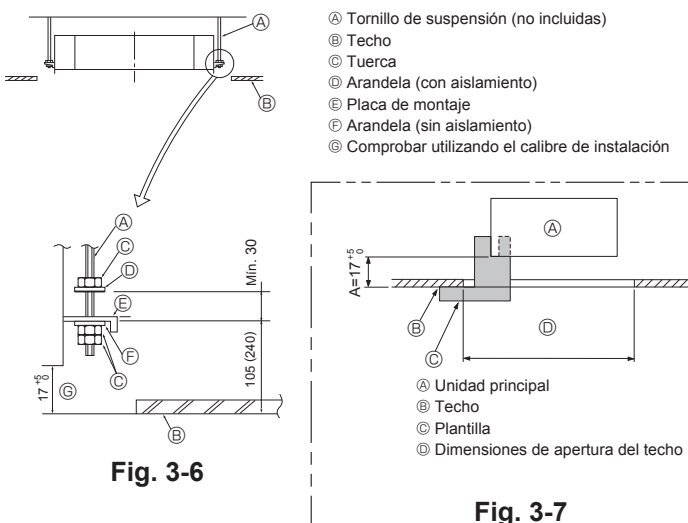


Fig. 3-6

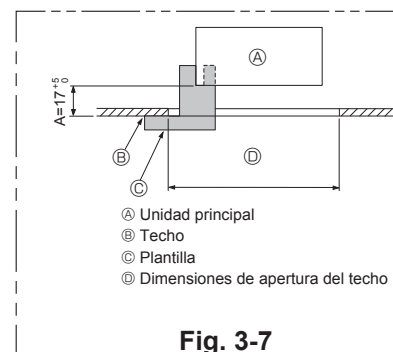


Fig. 3-7

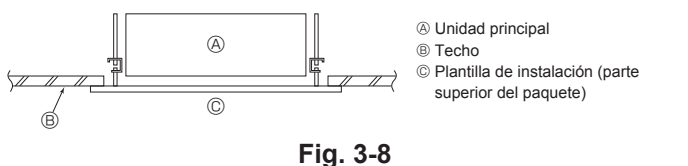


Fig. 3-8

3.4. Orificio para conducciones y orificio para toma de aire fresco (Fig. 3-4)

Durante la instalación utilice los orificios para conducciones (taladrados) que se encuentran en los puntos indicados en la Fig. 3-4, como y cuando sea necesario.

- También puede realizar un orificio para toma de aire fresco para la caja multifuncional opcional.

Nota:

- Las cifras marcadas mediante * en el gráfico representan el tamaño de la unidad principal sin tener en cuenta la caja multifuncional opcional.
- Cuando instale dicha caja, añada 135 mm a las dimensiones marcadas en la figura.
- Cuando instale el ramal de conducción, asegúrese de aislar lo adecuadamente. En caso contrario, podría producirse condensación y goteos.
- Al instalar el orificio para la toma de aire fresco, asegúrese de quitar el aislante pegado a la unidad interior.
- Cuando el aire exterior entra directamente en la unidad principal, el volumen de entrada de aire debe ser como máximo el 5% del volumen de aire de la unidad interior.
- Cuando se utilice el aire exterior, debe emplearse el ventilador del conducto y el filtro de recogida de polvo para evitar que entre polvo u otras partículas. Para más detalles, consulte el apartado "Características de presión estática y volumen de entrada de aire fresco" en el LIBRO DE DATOS de la serie P.
- Cuando el aire exterior entra directamente en la unidad principal, es posible que aumente el ruido operativo.

- Ⓐ Orificio para ramal de conducción
- Ⓑ Orificio principal
- Ⓒ Orificio para toma de aire fresco
- Ⓓ Tubo de drenaje
- Ⓔ Tubo del refrigerante
- Ⓕ Diagrama del orificio para ramal de conducción (view from either side)
- Ⓖ Tornillos roscados de 14-4×10
- Ⓗ Orificio de corte $\phi 150$
- Ⓘ Paso del orificio taladrado $\phi 175$
- Ⓢ Diagrama del orificio para toma de air fresco
- Ⓣ Tornillos roscados de 3-4×10
- Ⓛ Paso del orificio taladrado $\phi 125$
- Ⓜ Orificio de corte $\phi 100$
- Ⓝ Techo
- Ⓞ Figura explicativa sobre la extracción del aislante
- Ⓟ Aislamiento

3.5. Estructura de suspensión (Refuerzo de la estructura de suspensión) (Fig. 3-5)

Los trabajos en el techo diferirán según el tipo de construcción del edificio. Se deberá consultar a los constructores y decoradores de interiores.

- (1) Apertura del techo: El techo se mantendrá totalmente horizontal y se reforzarán las estructuras (marco: listones de madera y soportes de listones) para proteger el techo de vibraciones.
- (2) Corte y extraiga la estructura del techo.
- (3) Refuerce los bordes del fundamento de techo donde ha sido cortado y añada elementos estructurales para asegurar los extremos del panel de techo.
- (4) Al instalar la unidad interior en un techo inclinado coloque un montante entre el techo y rejilla y disponga la instalación de forma que la unidad quede horizontal.

- ① Estructuras de madera
 - Use vigas-tirante (para casas de un solo piso) o vigas de doble piso (para casas de dos pisos) como refuerzo.
 - Las vigas de madera para suspender unidades de aire acondicionado deben ser resistentes y sus lados deben medir, al menos, 6 cm si las vigas están separadas no más de 90 cm, o al menos 9 cm si están separadas hasta 180 cm. El tamaño de los tornillos de suspensión debería ser de $\phi 10$ (3/8"). (Los tornillos no vienen incluidos con la unidad.)

- ② Estructuras de hormigón armado
 - Asegure los tornillos de suspensión con el método que se muestra en el gráfico o utilice ganchos de acero o madera, etc. para instalar los tornillos de sujeción.

3.6. Procedimientos de suspensión de la unidad (Fig. 3-6)

Suspenda la unidad principal como muestra el diagrama. Las cifras entre paréntesis representan las dimensiones en caso de instalar la caja multifuncional.

1. Primero coloque las piezas en los tornillos de sujeción en el orden siguiente: arandelas (con aislamiento), arandelas (sin aislamiento) y tuercas (dobles).
 - Coloque la arandela con el acolchado de forma que el aislamiento mire hacia abajo.
 - Si se utilizan arandelas superiores para colgar la unidad principal, las arandelas inferiores (con aislamiento) y las tuercas (dobles) se colocarán más tarde.
2. Levante la unidad hasta la altura adecuada de los tornillos de sujeción para insertar la placa de montaje entre arandelas y apretar luego las tuercas.
3. Cuando la unidad principal no pueda ser alineada contra los orificios de montaje en el techo, se puede ajustar posteriormente gracias a la ranura prevista en la placa de montaje.
 - Asegúrese de que el paso A se realiza en 17-22 mm. Si no se respeta este margen, podrían producirse graves daños. (Fig. 3-7)

⚠ Cuidado:

Utilice la mitad superior de la caja como cubierta protectora para impedir que se introduzca polvo o escombros en el interior de la unidad antes de la instalación de la cubierta decorativa o cuando se coloquen materiales de revestimiento.

3.7. Confirmación de la posición de la unidad principal y apriete de los tornillos de sujeción (Fig. 3-8)

- Cerciórese, utilizando el calibre unido a la rejilla, de que la parte inferior de la unidad principal esté correctamente alineada con la apertura del techo. Confírmelo, ya que en caso contrario se puede generar una condensación y gotear debido a pérdidas de aire, etc.
- Confirme que la unidad principal está nivelada horizontalmente mediante un nivel o tubo de vinilo relleno de agua.
- Una vez comprobada la posición de la unidad principal, apriete firmemente las tuercas de los tornillos de suspensión para fijar la unidad principal.
- La plantilla de instalación (parte superior del paquete) se puede utilizar como hoja de protección para evitar que entre el polvo en la unidad principal cuando no estén colocadas las rejillas durante un lapso temporal o cuando se alineen los materiales del techo después de haber finalizado la instalación de la unidad.

* Para más detalles sobre su uso consulte las instrucciones de la plantilla de instalación. (parte superior del paquete)

4. Instalación de los tubos del refrigerante

4.1. Precauciones

Para aparatos con refrigerante R32/R410A

- Utilice aceite de alquilobenceno (en pequeñas cantidades) para recubrir las secciones abocardadas.
- Utilice tubos de cobre fosforoso del tipo C1220 y tubos de aleación de cobre sin costuras para conectar los tubos del refrigerante. Utilice tuberías para refrigerante del grosor especificado en la tabla siguiente. Asegúrese de que el interior de las tuberías está limpio y que no contienen ningún contaminante nocivo como compuestos sulfúricos, oxidantes, restos o polvo.

⚠ Atención:

Cuando instale o cambie de sitio el acondicionador de aire, o al realizar tareas de mantenimiento, utilice únicamente el refrigerante indicado en la unidad exterior para cargar los tubos del refrigerante. No lo mezcle con otro tipo de refrigerante y vacíe completamente de aire los tubos.

Si el aire se mezcla con el refrigerante, podría producir una tensión anormalmente alta en el tubo del refrigerante y ocasionar una explosión u otros peligros. Usar un refrigerante distinto al indicado para el sistema provocará un fallo mecánico, un funcionamiento defectuoso del sistema o la avería de la unidad. En el peor de los casos, podría suponer un grave impedimento para garantizar la seguridad del producto.

ø6,35 grosor 0,8 mm	ø9,52 grosor 0,8 mm
ø12,7 grosor 0,8 mm	ø15,88 grosor 1,0 mm

- No utilice tubos con un grosor menor del especificado a continuación.

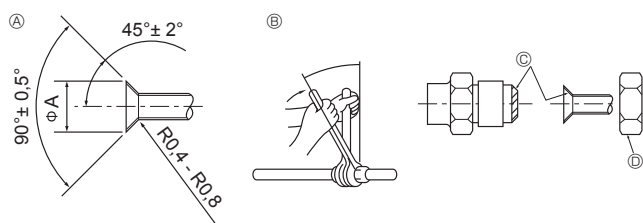


Fig. 4-1

4.2. Tubos de conexión (Fig. 4-1)

- Si se utilizan tubos de cobre convencionales, envuelva los tubos de gas y líquido con materiales aislantes (resistente al calor hasta 100 °C o más, espesor de 12 mm o más).
- Aplique una capa delgada de aceite refrigerante a la superficie tubo y de la junta de asiento antes de apretar la tuerca de abocardado.
- Utilice dos llaves de apriete para apretar las conexiones de los tubos.
- Utilice el aislante de tubería de refrigerante suministrado para aislar las conexiones de la unidad interior. Realice los aislamientos con cuidado.
- Después de haber conectado los tubos de refrigerante a la unidad interior, realice una prueba de fuga de gas de las conexiones de los tubos con gas nitrógeno. (Compruebe que no exista ninguna fuga entre los tubos de refrigerante y la unidad interior.)
- Utilice la tuerca abocardada instalada en esta unidad interior.
- Si vuelve a conectar los tubos de refrigerante después de desmontarlos, asegúrese de que se haya reconstruido la parte abocardada del tubo.

Ⓢ Torsión de apriete de la tuerca abocardada

Tubo de cobre O.D. (mm)	Tuerca de abocardado O.D. (mm)	Torsión de apriete (N·m)
ø6,35	17	14 - 18
ø6,35	22	34 - 42
ø9,52	22	34 - 42
ø12,7	26	49 - 61
ø15,88	29	68 - 82

Ⓢ Aplique aceite refrigerante para máquinas en toda la superficie abocardada.

Ⓢ Utilice tuercas abocardadas que coincidan con el tamaño de la tubería de la unidad exterior.

Tamaños de tubería disponibles

	SM71-140
Liquid side	ø9,52 O
Lado del gas	ø15,88 O

O : Accesorio de fábrica para acoplar la tuerca abocardada al intercambiador de calor.

⚠ Atención:

- ¡Tenga cuidado de no soltar la tuerca abocardada! (Presurización interna)
Extraiga la tuerca abocardada como se indica:
 1. Afloje la tuerca hasta que escuche un silbido.
 2. No extraiga la tuerca hasta que se haya liberado completamente el gas (es decir, hasta que se detenga el silbido).
 3. Compruebe que se haya liberado completamente el gas y extraiga la tuerca.
- Al instalar la unidad, conecte firmemente las tuberías de refrigerante antes de poner en marcha el compresor.

Ⓢ Dimensiones del corte abocardado

Tubo de cobre O.D. (mm)	Dimensiones de abocardado dimensiones øA (mm)
ø6,35	8,7 - 9,1
ø9,52	12,8 - 13,2
ø12,7	16,2 - 16,6
ø15,88	19,3 - 19,7

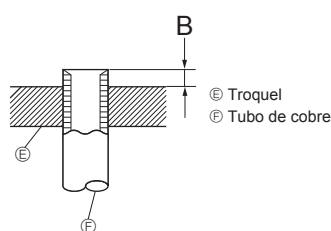


Fig. 4-2

Tubo de cobre O.D. (mm)	B (mm)	
	Herramienta abocardada para R32/R410A	Tipo gancho
ø6,35(1/4")	0 - 0,5	
ø9,52(3/8")	0 - 0,5	
ø12,7(1/2")	0 - 0,5	
ø15,88(5/8")	0 - 0,5	

4. Instalación de los tubos del refrigerante

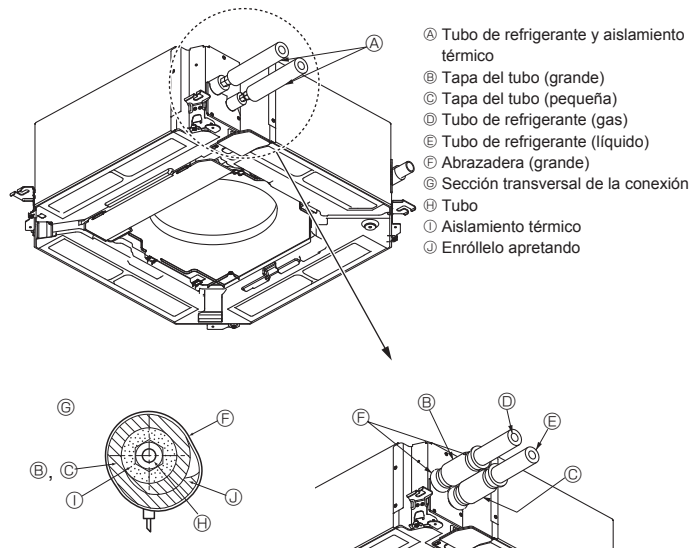


Fig. 4-3

Aislamiento del calor para los tubos refrigerantes (Fig. 4-3)

- 1 Envuelva la cubierta adjunta del tubo de mayor tamaño alrededor del tubo de gas, asegurándose de que el extremo de la cubierta del tubo entre en contacto con el lateral de la unidad.
- 2 Envuelva la cubierta adjunta del tubo de menor tamaño alrededor del tubo de líquido, asegurándose de que el extremo de la cubierta del tubo entre en contacto con el lateral de la unidad.
- 3 Asegure ambos extremos de cada cubierta del tubo con las uniones adjuntas (coloque las uniones a 20 mm de los extremos de la cubierta del tubo).

4.3. Para una combinación doble

Consulte el manual de instalación de la unidad exterior.

Algunas unidades exteriores no pueden utilizarse en un sistema doble simultáneo.

5. Tubería de drenaje

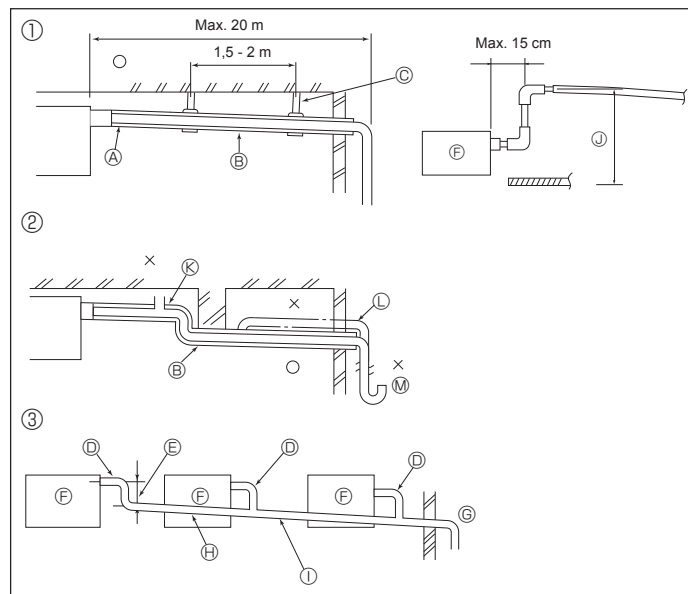


Fig. 5-1

5.1. Tubería de drenaje (Fig. 5-1)

- Las piezas interiores del tubo de drenaje tienen que estar envueltas en materiales aislantes de espuma de polietileno (gravedad específica de 0,03 y espesor de 9 mm o más).
- Utilice VP25 (O.D. ø32 TUBO PVC) para el tubo de drenaje y prevea una pendiente de descenso de 1/100 o más.
- Conecte las juntas de los tubos con un adhesivo de tipo PVC.
- Observe la figura para realizar los trabajos de canalización.
- Utilice la manguera de drenaje incluida para cambiar la dirección de la extracción.
- Cuando coloque las tuberías de drenaje, utilice siempre los soportes metálicos. Si se aplica una carga al tubo de desagüe que dañe la manguera o provoque que ésta se desconecte, pueden producirse escapes de agua.

- | | |
|--|--|
| ① Tubería correcta | Ⓜ Haga la medida de la tubería ancha para la agrupación de tuberías |
| ② Tubería incorrecta | Ⓝ Pendiente de descenso de 1/100 o más |
| ③ Agrupación de tuberías | Ⓞ O.D. ø38 TUBO PVC para agrupación de tuberías (9 mm o mayor aislamiento) |
| Ⓐ Unidad principal (9 mm o más) | Ⓟ Hasta 85 cm |
| Ⓑ Pendiente de descenso de 1/100 o más | Ⓠ O.D. ø32 TUBO PVC |
| Ⓒ Metal de soporte | Ⓡ Expulsador de aire |
| Ⓓ O.D. ø32 TUBO PVC | Ⓢ Elevado |
| Ⓔ Hágalo lo más ancho posible (aprox. 10 cm) | Ⓣ Retención de olores |
| Ⓕ Unidad principal | |

1. Conecte el tubo de desagüe (suministrado con la unidad) al orificio de desagüe. (Fig. 5-2) (Sujete el tubo con cinta aislante y asegure la conexión con una abrazadera.)
2. Instale un tubo de drenaje (no incluido) (tubo de PVC, O.D. ø32). (Sujete el tubo con cinta aislante y asegure la conexión con una abrazadera.)
3. Compruebe que el líquido de drenaje circule correctamente.
4. Aísle el tubo y el orificio de desagüe con material aislante, y sujételo con una abrazadera. (Tanto la abrazadera como el material aislante vienen incluidos con el equipo.)
5. Aísle el tubo de drenaje (tubo de PVC, O.D. ø32).

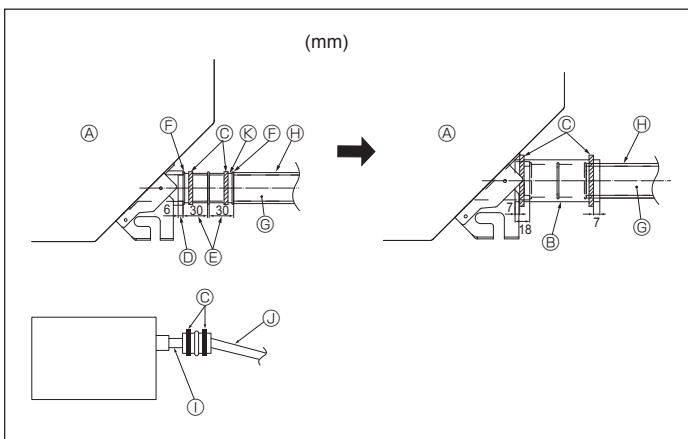


Fig. 5-2

- | | |
|------------------------------------|--|
| Ⓐ Unidad principal | Ⓝ Tubo de drenaje (O.D. ø32 PVC TUBO) |
| Ⓑ Material aislante | Ⓞ Material aislante (comprado en su localidad) |
| Ⓒ Abrazadera (grande) | Ⓟ Tubo de PVC transparente |
| Ⓓ Puerto de drenaje (transparente) | Ⓠ O.D. ø32 PVC TUBO |
| Ⓔ Límite de colocación | (Inclinación mínima de 1/100) |
| Ⓕ Unión | Ⓡ Tubo de desagüe |

6. Trabajo eléctrico

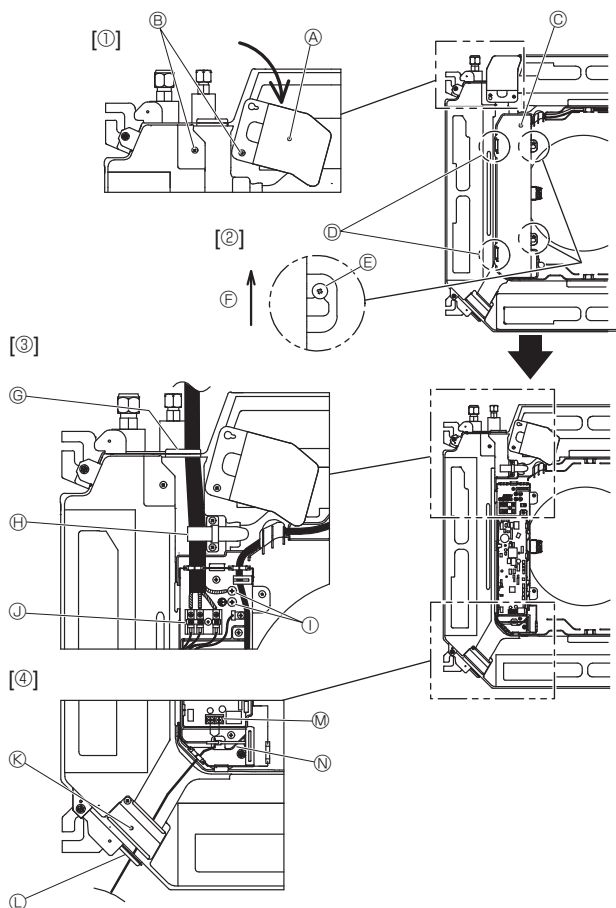


Fig. 6-1

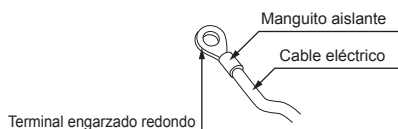


Fig. 6-2

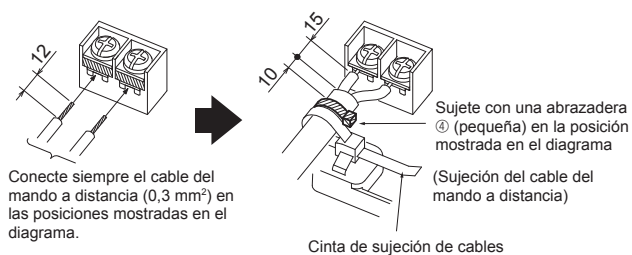


Fig. 6-3

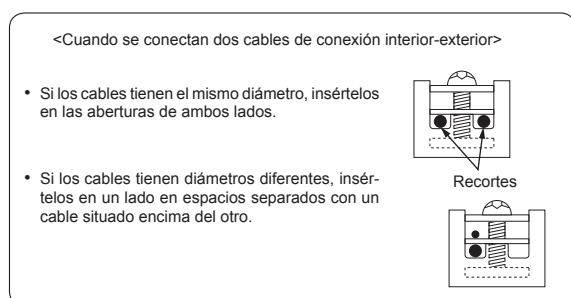


Fig. 6-5

6.1. Unidad interior (Fig. 6-1)

1. Afloje los dos tornillos que fijan el panel de servicio del cableado, y luego gire dicho panel. [Fig. 6-1 ①]
 2. Afloje los dos tornillos que fijan la cubierta de la caja eléctrica y luego deslice dicha cubierta. [Fig. 6-1 ②]
 3. Pase el cable de alimentación, el cable de conexión de la unidad interior/exterior y el cable de tierra a través de las entradas de cableado indicadas en el diagrama. [Fig. 6-1 ③] Ponga la parte revestida del cable de alimentación y del cable de conexión de la unidad interior/exterior en la caja eléctrica. Utilice terminales engarzados redondos para el terminal de conexión interior-exterior y el kit de terminales de alimentación opcional. [Fig. 6-2] Si no puede utilizar terminales engarzados redondos, siga el procedimiento indicado en las Fig. 6-3-6-6. Consulte los detalles de la conexión en los apartados 6.1.1. y 6.1.2.
 4. Pase y conecte el cable del mando a distancia por las entradas de cableado indicadas en el diagrama. [Fig. 6-1 ④, Fig. 6-3] Consulte los detalles de la conexión en los apartados 6.1.1. y 6.1.2.
- No permita que se aflojen los tornillos de terminales.

Par de apriete del tornillo

	Par de apriete (N·m)
Placa de terminales del mando a distancia	1,2 ± 0,1
Placa de terminales de conexión interior-exterior	1,6 ± 0,1
Cable de tierra	1,6 ± 0,1

- Disponga el resto de cable de modo tal que la caja eléctrica quede suspendida bajo la unidad durante el servicio (aproximadamente de 50 a 100 mm).
- ① Panel de servicio del cableado eléctrico
- ② Tornillo
- ③ Cubierta de la caja eléctrica
- ④ Gancho para colgar la cubierta de la caja eléctrica temporalmente
- ⑤ Tornillo
- ⑥ Dirección de deslizamiento de la cubierta de la caja eléctrica
- ⑦ Abertura para el cable de alimentación y el cable de conexión de la unidad interior/exterior
- ⑧ Asegurar con la cinta de sujeción de cables.
- ⑨ Cable de tierra
- ⑩ Terminal de conexión de la unidad interior/exterior
- ⑪ Panel de servicio del cableado (mando a distancia)
- ⑫ Entrada para el mando a distancia cableado
- ⑬ Terminal del mando a distancia cableado
- ⑭ Asegurar con la cinta de sujeción de cables.

⚠ Precaución:

- Los cables del mando a distancia deberán situarse alejados (5 cm como mínimo) de los cables de alimentación, de modo que no se vean afectados por el ruido eléctrico generado por los cables de alimentación.

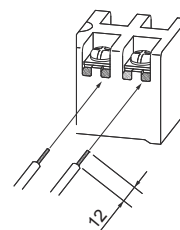


Fig. 6-4

- La ranura en forma de U se abre si se presiona la cabeza del tornillo después de aflojarlo.

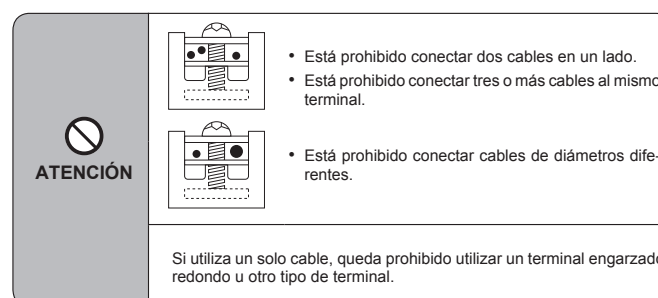


Fig. 6-6

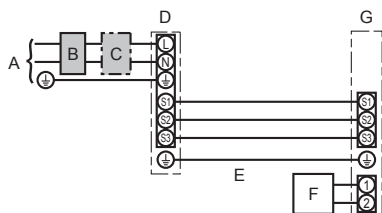
6. Trabajo eléctrico

6.1.1. Alimentación de la unidad interior suministrada por la unidad exterior

Están disponibles los siguientes patrones de conexión.

Los patrones de la fuente de alimentación de la unidad exterior varían en función del modelo.

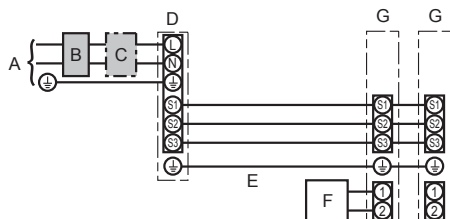
Sistema 1:1



- A Alimentación de la unidad exterior
- B Disyuntor automático de fugas a tierra
- C Disyuntor de cableado o interruptor aislante
- D Unidad exterior
- E Cables de conexión de la unidad interior/ unidad exterior
- F Controlador remoto
- G Unidad interior

* Coloque una de las etiquetas A incluidas con los manuales cerca de cada esquema de cableado de las unidades interiores y exterior.

Sistema doble simultáneo



- A Alimentación de la unidad exterior
- B Disyuntor automático de fugas a tierra
- C Disyuntor de cableado o interruptor aislante
- D Unidad exterior
- E Cables de conexión de la unidad interior/unidad exterior
- F Controlador remoto
- G Unidad interior

* Coloque una de las etiquetas A incluidas con los manuales cerca de cada esquema de cableado de las unidades interiores y exterior.

Nota:
Algunas unidades no pueden utilizarse en un sistema doble simultáneo. Para más detalles, consulte el manual de instalación de la unidad exterior.

Modelo de la unidad interior		PLA
CableadoCable n° x tamaño (mm²)	Unidad interior-unidad exterior *1	3 x 1,5 (Polar)
	Cable a tierra de la unidad interior y de la unidad exterior *1	1 x Mín.1,5
	Cable a tierra de la unidad interior	1 x Mín.1,5
	Control remoto - unidad interior *2	2 x 0,3 (No polar)
Rango del circuito	Unidad interior (Calefactor) L-N *3	-
	Unidad interior-unidad exterior S1-S2 *3	230 VCA
	Unidad interior-unidad exterior S2-S3 *3	24 VCC
	Control remoto - unidad interior *3	12 VCC

*1. <Para la aplicación en la unidad exterior 71-140>

Max. 45 m

Si se utiliza cable de 2,5 mm², máx. 50 m

Si se utiliza cable de 2,5 mm² y S3 por separado, máx. 80 m

*2. Máx. 500 m

(Si se utilizan 2 mandos a distancia, la longitud máxima del cableado para los cables del mando a distancia es de 200 m).

*3. Los valores NO siempre se aplican a la toma a tierra.

El terminal S3 dispone de 24 VCC frente al terminal S2. Entre S3 y S1, estos terminales no están aislados eléctricamente por el transformador u otro dispositivo.

- Notas:**
1. El diámetro de los cables debe cumplir la normativa local y nacional.
 2. Los cables de alimentación y los que conectan la unidad interior y la exterior deben tener una resistencia mínima equiparable a los cables flexibles revestidos de policloropreno. (Diseño 60245 IEC 57)
 3. Instale un cable de toma de tierra más largo que el resto de los cables.
 4. Los cables de conexión de las unidades interior y exterior tienen distintas polaridades. Para realizar unos cableados correctos, compruebe que coincida el número de terminal (S1, S2, S3).
 5. Los cables del mando a distancia deberán situarse alejados (5 cm como mínimo) de los cables de alimentación, de modo que no se vean afectados por el ruido eléctrico generado por los cables de alimentación.

Atención:

No empalme nunca el cable de corriente o el cable de la conexión interior-exterior, de lo contrario se podrían provocar humo, un incendio o un fallo en la comunicación.

6. Trabajo eléctrico

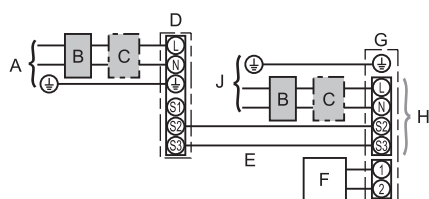
6.1.2. Separe las fuentes de alimentación de la unidad interior y la unidad exterior (sólo para aplicaciones PUIHZ)

Están disponibles los siguientes patrones de conexión.

Los patrones de la fuente de alimentación de la unidad exterior varían en función del modelo.

Sistema 1:1

* Es necesario el kit de terminales de alimentación interior.

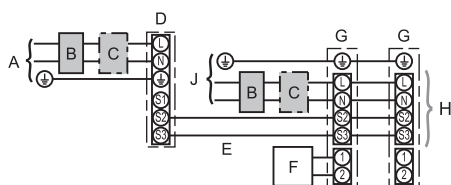


- A Alimentación de la unidad exterior
- B Disyuntor automático de fugas a tierra
- C Disyuntor de cableado o interruptor aislante
- D Unidad exterior
- E Cables de conexión de la unidad interior/unidad exterior
- F Controlador remoto
- G Unidad interior
- H Opcional
- J Alimentación de la unidad interior

* Coloque una de las etiquetas B incluidas con los manuales cerca de cada esquema de cableado de las unidades interiores y exterior.

Sistema doble simultáneo

* Son necesarios los kits de terminales de alimentación interior.



- A Alimentación de la unidad exterior
- B Disyuntor automático de fugas a tierra
- C Disyuntor de cableado o interruptor aislante
- D Unidad exterior
- E Cables de conexión de la unidad interior/unidad exterior
- F Controlador remoto
- G Unidad interior
- H Opcional
- J Alimentación de la unidad interior

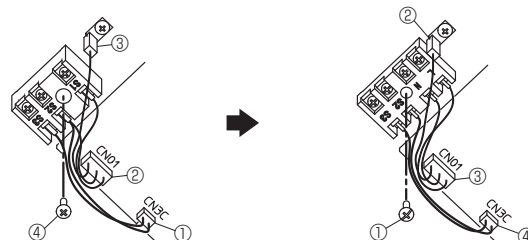
* Coloque una de las etiquetas B incluidas con los manuales cerca de cada esquema de cableado de las unidades interiores y exterior.

Nota:
Algunas unidades no pueden utilizarse en un sistema doble simultáneo. Para más detalles, consulte el manual de instalación de la unidad exterior.

Si las unidades interior y exterior reciben alimentación independiente, consulte la tabla que aparece más abajo. Si se utiliza el kit de terminales de alimentación interior, cambie el cableado de la caja eléctrica de la unidad interior siguiendo la figura de la derecha y los ajustes del conmutador DIP del panel de control de la unidad exterior.

Kit de terminales de alimentación interior (opcional)	Necesario								
Cambio de conexiones de la caja de conexiones de la unidad interior	Necesario								
Etiqueta colocada cerca de cada esquema de cableado de las unidades interiores y exterior	Necesario								
Ajustes del conmutador DIP de la unidad exterior (sólo si se utilizan fuentes de alimentación independientes para las unidades interiores y exterior)	<table border="1" style="display: inline-table;"> <tr> <td>ON</td> <td></td> <td></td> <td style="border: 2px solid black;">3</td> </tr> <tr> <td>OFF</td> <td>1</td> <td>2</td> <td></td> </tr> </table> (SW8) Ponga el SW8-3 a ON.	ON			3	OFF	1	2	
ON			3						
OFF	1	2							

<Sustituir el bloque de terminales de la unidad interior>



- ① Desconecte el conector CN3C (azul) del cuadro del controlador interior.
- ② Desconecte el conector CN01 (negro) del cuadro del controlador interior.
- ③ Desconecte el terminal de la pestaña.
- ④ Extraiga el tornillo del bloque de terminales.

- Instale el kit de terminales de alimentación opcional. Consulte el manual de instalación suministrado con el kit de terminales de alimentación opcional para obtener más información.
- ① Fije el bloque de terminales con el tornillo.
 - ② Inserte el terminal de la pestaña.
 - ③ Conecte el conector CN01 (negro) al cuadro del controlador interior.
 - ④ Conecte el conector CN3C (azul) al cuadro del controlador interior.

* Hay tres tipos de etiquetas (etiquetas A, B y C). Coloque las etiquetas adecuadas en las unidades según el método de cableado.

Modelo de la unidad interior		PLA
Alimentación de la unidad interior		~/N (Monofase), 50 Hz, 230 V
Capacidad de entrada de la unidad interior	*1	16 A
Interruptor principal (Diferencial)		
Cableado Cable n° x tamaño (mm ²)	Alimentación de la unidad interior & Cable a tierra de la fuente de alimentación de la unidad interior	3 x Min. 1,5
	Unidad interior-unidad exterior	*2 2 x Min. 0,3
	Cable a tierra de la unidad interior y de la unidad exterior	-
	Control remoto - unidad interior	*3 2 x 0,3 (No polar)
Rango del circuito	Unidad interior L-N	*4 230 VCA
	Unidad interior-unidad exterior S1-S2	*4 -
	Unidad interior-unidad exterior S2-S3	*4 24 VCC
	Control remoto - unidad interior	*4 12 VCC

*1. Utilice un disyuntor automático de fugas a tierra (NV) con una separación mínima de contacto de 3,0 mm en cada uno de los polos.

La presencia del disyuntor garantizará la desconexión de todos los conductores de fase activos de la alimentación.

*2. Max. 120 m

*3. Máx. 500 m

(Si se utilizan 2 mandos a distancia, la longitud máxima del cableado para los cables del mando a distancia es de 200 m).

*4. Los valores NO siempre se aplican a la toma a tierra.

Notas: 1. El diámetro de los cables debe cumplir la normativa local y nacional.

2. Los cables de alimentación y los que conectan la unidad interior y la exterior deben tener una resistencia mínima equiparable a los cables flexibles revestidos de policloropreno. (Diseño 60245 IEC 57)

3. Instale un cable de toma de tierra más largo que el resto de los cables.

4. Los cables del mando a distancia deberán situarse alejados (5 cm como mínimo) de los cables de alimentación, de modo que no se vean afectados por el ruido eléctrico generado por los cables de alimentación.

⚠ Atención:

No empalme nunca el cable de corriente o el cable de la conexión interior-exterior, de lo contrario se podrían provocar humo, un incendio o un fallo en la comunicación.

6. Trabajo eléctrico

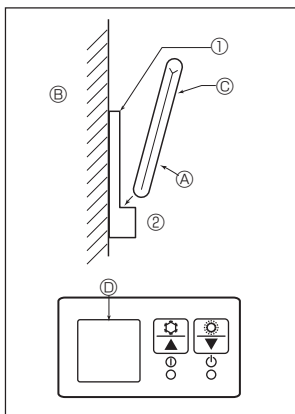


Fig. 6-7

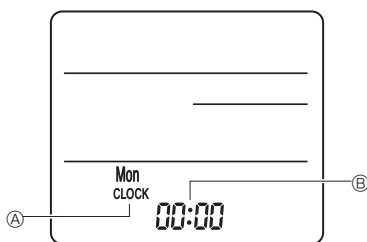


Fig. 6-8

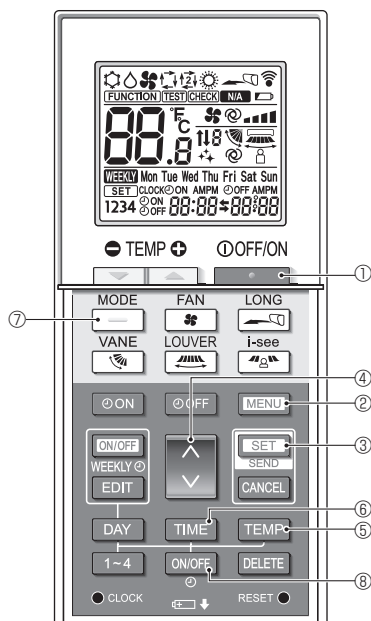


Fig. 6-9

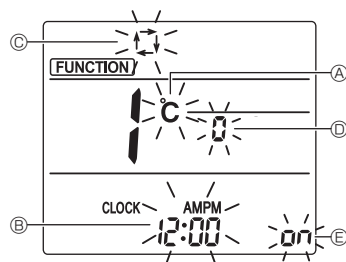


Fig. 6-10

6.2. Control remoto

6.2.1. Para el controlador remoto cableado

1) Ajuste de dos controladores remotos

Si hay dos controladores remotos conectados, ajuste uno como "principal" y el otro como "subordinado". Para conocer los procedimientos de ajuste, consulte "Selección de función" en el manual de instrucciones de la unidad interior.

6.2.2. Para el mando a distancia inalámbrico

1) Zona de instalación

- El mando a distancia no debe estar expuesto a la luz solar directa.
- No debe estar cerca de fuentes de calor.
- El mando a distancia no debe estar expuesto a corrientes de aire frío (o caliente).
- El mando a distancia debe colocarse donde pueda manejarse con facilidad.
- El mando a distancia debe estar fuera del alcance de los niños.

2) Método de instalación (Fig. 6-7)

- 1) Fije el soporte del mando a distancia en el lugar deseado con 2 tornillos roscados.
- 2) Coloque el extremo inferior del mando en el soporte.
 - Ⓐ Mando a distancia Ⓑ Pared Ⓒ Panel de visualización Ⓓ Receptor
- La señal alcanza aproximadamente hasta 7 metros (en línea recta), con un ángulo de 45 grados a la izquierda y la derecha de la línea central del receptor.

3) Configuración (Ajuste del reloj) (Fig. 6-8)

- 1) Inserte las baterías o pulse el ● CLOCK botón con algún objeto puntiagudo. [CLOCK] (RELOJ) Ⓐ y [:] Ⓑ parpadean.
- 2) Pulse el botón RESET ● con algún objeto puntiagudo.
- 3) Pulse el botón ▲ para configurar la hora. Pulse el botón DAY para configurar el día.
- 4) Pulse el botón ● CLOCK con algún objeto puntiagudo. [CLOCK] (RELOJ) y [:] iluminados.

4) Configuración inicial

Los siguientes ajustes se pueden definir en el modo de ajuste inicial.

Elemento	Configuración	Fig. 6-10
Unidad de temperatura	°C/°F	Ⓐ
Visualización de la hora	Formato 12 horas/Formato 24 horas	Ⓑ
Modo AUTO	Punto de ajuste individual/punto de ajuste doble	Ⓒ
N.º de par	0-3	Ⓓ
Luz de fondo	On/Off	Ⓔ

4-1. Cambiar al modo de ajuste inicial

1. Pulse el botón [●] ① para detener el acondicionador de aire.
2. Pulse el botón [MENU] ②. Se mostrará la pantalla de configuración de funciones y parpadeará el n.º de función Ⓐ. (Fig. 6-9) Pulse el botón [▲] ④ para cambiar el n.º de función.
3. Compruebe que se muestra la función N.º "1", y luego pulse el botón [SET] ③. Se visualizará la pantalla de configuración de la visualización. (Fig. 6-10)

4-2. Cambiar la unidad de temperatura Ⓐ

- Pulse el botón [TEMP] ⑤. Cada vez que pulse el botón [TEMP] ⑤, el ajuste cambiará de °C a °F. °C: La temperatura se muestra en grados Celsius. °F: La temperatura se muestra en grados Fahrenheit.

4-3. Cambiar la visualización de la hora Ⓑ

- Pulse el botón [TIME] ⑥. Cada vez que pulse el botón [TIME] ⑥, el ajuste cambiará de 12:00^{AMPM} a 24:00^{AMPM}. 12:00^{AMPM}: La hora se visualiza en el formato de 12 horas. 24:00^{AMPM}: La hora se visualiza en el formato de 24 horas.

4-4. Cambiar el modo AUTO Ⓒ

- Pulse el botón [—] ⑦. Cada vez que pulse el botón [—] ⑦, el ajuste cambiará de 1 a 2. 1: El modo AUTO funciona como el modo automático habitual. 2: El modo AUTO funciona utilizando dos puntos de ajuste.

4-5. Cambiar el N.º de par Ⓓ

- Pulse el botón [▲] ④. Cada vez que pulse el botón [▲] ④, cambia el N.º de par 0-3.

Nº de par del mando a distancia inalámbrico	Placa del PC interior
0	Configuración inicial
1	Cut J41
2	Cut J42
3	Cut J41, J42

4-6. Cambiar el ajuste de la luz de fondo Ⓔ

- Pulse el botón [ON/OFF] ⑧. Cada vez que pulse el botón [ON/OFF] ⑧, el ajuste cambiará de on a off. on: La luz de fondo se enciende al pulsar un botón. off: La luz de fondo no se enciende al pulsar un botón.

6. Trabajo eléctrico

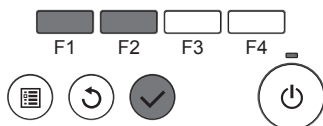
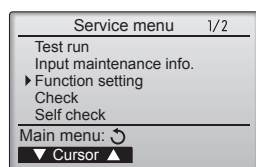


Fig. 6-11

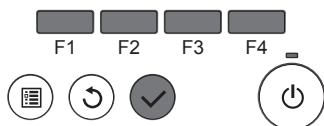
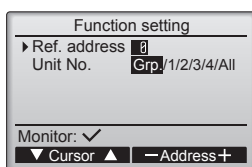


Fig. 6-12

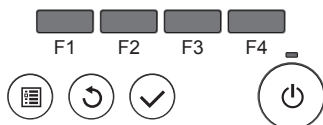
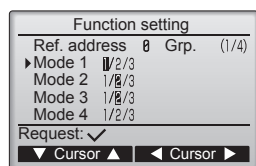


Fig. 6-13

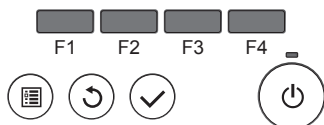
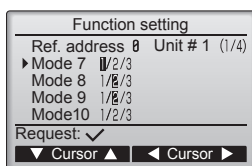


Fig. 6-14

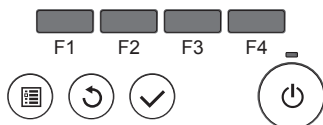
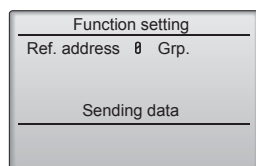


Fig. 6-15

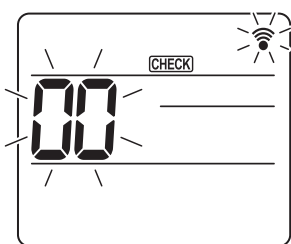


Fig. 6-16

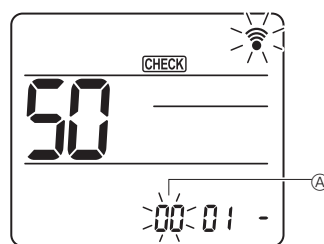


Fig. 6-17

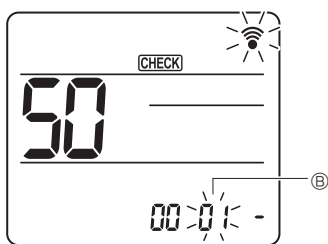


Fig. 6-18

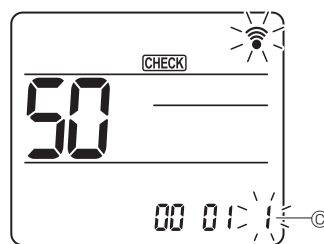


Fig. 6-19

6.3. Ajuste de funciones

6.3.1. Por medio del mando a distancia con cable

- ① (Fig. 6-11)
 - Seleccione "Service" (Revisión) desde el Menú principal, y pulse el botón [ACEPTAR].
 - Seleccione "Function settings" (Configuración de funciones) con el botón [F1] o [F2], y pulse el botón [ACEPTAR].

- ② (Fig. 6-12)
 - Establezca las direcciones del refrigerante de la unidad interior y los números de unidad con los botones [F1] a [F4] y luego pulse el botón [ACEPTAR] para confirmar el ajuste actual.

<Comprobar la Unidad interior n°>
 Cuando se pulse el botón [ACEPTAR], empezará a funcionar el ventilador de la unidad interior. Si la unidad es común o si están funcionando todas las unidades, empezará a funcionar el ventilador de todas las unidades interiores para la dirección de refrigerante seleccionada.

- ③ (Fig. 6-13)
 - Una vez completada la recopilación de datos de las unidades interiores, aparecen resaltados los ajustes actuales. Los elementos sin resaltar indican que no se ha realizado ninguna configuración de funciones. El aspecto de la pantalla varía en función de la configuración de "N° Unid".

- ④ (Fig. 6-14)
 - Utilice el botón [F1] o [F2] para mover el cursor y seleccionar el número de modo, y cambie el número de ajuste con el botón [F3] o [F4].

- ⑤ (Fig. 6-15)
 - Una vez completados los ajustes, pulse el botón [ACEPTAR] para enviar los datos de configuración del controlador remoto a las unidades interiores.
 - Una vez completada la transmisión, se volverá a la pantalla Configuración de funciones.

6.3.2. Mediante el mando a distancia inalámbrico

- ① Vaya al modo de selección de función
 Pulse el botón [MENU] unos 5 segundos.
 (Inicie esta operación con la pantalla de estado del mando a distancia apagada).
 [CHECK] (COMPROBAR) se ilumina y "00" parpadea. (Fig. 6-16)
 Pulse el botón [5] para seleccionar "50".
 Apunte el mando a distancia inalámbrico hacia el receptor de la unidad interior y pulse el botón [SET].
- ② Configuración del número de unidad
 Pulse el botón [1] para seleccionar el número de unidad ①. (Fig. 6-17)
 Apunte el mando a distancia inalámbrico hacia el receptor de la unidad interior y pulse el botón [SET].
- ③ Seleccione un modo
 Pulse el botón [2] para seleccionar el número de modo ②. (Fig. 6-18)
 Apunte el mando a distancia inalámbrico hacia el receptor de la unidad interior y pulse el botón [SET].
 Número de configuración en uso: 1=1 pitido (1 segundo)
 2=2 pitidos (de 1 segundo cada uno)
 3=3 pitidos (de 1 segundo cada uno)
- ④ Seleccionar el número de ajuste
 Utilice el botón [3] para cambiar el número de ajuste ③. (Fig. 6-19)
 Apunte el mando a distancia inalámbrico hacia el receptor de la unidad interior y pulse el botón [SET].
- ⑤ Para seleccionar múltiples funciones continuamente
 Repita la selección de ③ y ④ para cambiar de manera continua los ajustes de varias funciones.
- ⑥ Para seleccionar la función completa
 Apunte el mando a distancia inalámbrico hacia el sensor de la unidad interior y pulse el botón [OFF/ON].

Nota:

- Realice los ajustes anteriores en las unidades Mr. Slim según sea necesario.
- La tabla 1 resume las opciones de ajuste para cada número de modo.
 - Asegúrese de anotar los ajustes para todas las funciones si alguno de los ajustes iniciales se ha cambiado tras completar el trabajo de instalación.

6. Trabajo eléctrico

Tabla de funciones (Tabla 1)

Seleccione el número de unidad 00

Modo	Ajustes	Núm. de modo	Núm. de ajuste	Configuración inicial	Ajuste
Recuperación automática de fallo de alimentación	No disponible	01	1		
	Disponible *1		2	O *2	
Detección de la temperatura de la sala	Media de funcionamiento de la unidad interior	02	1	O	
	Ajustada por el control remoto de la unidad interior		2		
	Sensor interno del control remoto		3		
Conectividad LOSSNAY	No soportada	03	1	O	
	Soportada (la unidad interior no está equipada con entrada de aire del exterior)		2		
	Soportada (la unidad interior está equipada con entrada de aire del exterior)		3		
Voltaje de alimentación	240 V	04	1		
	220 V, 230 V		2	O	

Seleccione los números de unidad 01 a 03 o todas las unidades (AL [controlador remoto alámbrico] / 07 [controlador remoto inalámbrico])

Modo	Ajustes	Núm. de modo	Núm. de ajuste	Configuración inicial	Ajuste
Señalización de filtro	100 horas	07	1		
	2500 horas		2	O	
	Sin indicador de señalización del filtro		3		
Velocidad del ventilador	Silencioso (techo bajo)	08	1		
	Normal		2	O	
	Techo alto		3		
Núm. de salidas de aire	4 direcciones	09	1	O	
	3 direcciones		2		
	2 direcciones		3		
Opciones instaladas (filtro de alta eficiencia)	No soportado	10	1	O	
	Soportado		2		
Ajuste de las aletas de movimiento vertical	Ajuste hacia abajo (Configuración del ángulo de las paletas ③)	11	1		
	Ajuste central (Configuración del ángulo de las paletas ①)		2		
	Ajuste sin corrientes (Configuración del ángulo de las paletas ②)		3	O	
Velocidad del ventilador mientras el termostato de refrigeración está desactivado	Ajustar la velocidad del ventilador	27	1		
	Parada		2		
	Extra baja		3	O	

*1 Cuando la corriente eléctrica vuelva a estar disponible, el aire acondicionado tardará 3 minutos en encenderse.

*2 El ajuste inicial de recuperación automática de fallo de alimentación depende de la unidad exterior conectada.

7. Prueba de funcionamiento

7.1. Antes de realizar las pruebas

- ▶ Después de la instalación de tubos y cables en las unidades interior y exterior, compruebe que no haya escapes de refrigerante, que no se haya aflojado ni la fuente de alimentación ni el cableado de control, que la polaridad no sea errónea y que no se haya desconectado ninguna fase de la alimentación.
- ▶ Utilice un megohmímetro de 500 V para comprobar que la resistencia entre los bornes de alimentación y la tierra es como mínimo de 1,0 MΩ.

▶ No efectúe esta prueba en los bornes de los cables de control (circuito de bajo voltaje).

⚠ Atención:

No utilice el aire acondicionado si la resistencia de aislamiento es inferior a 1,0 MΩ.

7.2. Prueba de funcionamiento

7.2.1. Al usar el controlador remoto cableado

- Lea siempre el manual de instrucciones antes de realizar la prueba. (Especialmente los elementos para garantizar la seguridad)

Paso 1 Active el equipo.

- Controlador remoto: el sistema entra en el modo de inicio, y parpadean el indicador luminoso de alimentación del controlador remoto (verde) y el mensaje "PLEASE WAIT" (ESPERE, POR FAVOR). Mientras el indicador y el mensaje están parpadeando, no puede utilizarse el controlador remoto. Espere a que no se visualice "PLEASE WAIT" (ESPERE, POR FAVOR) antes de utilizar el controlador remoto. Una vez activado el equipo, se visualizará "PLEASE WAIT" (ESPERE, POR FAVOR) en pantalla durante unos 2 minutos.
- Cuadro del controlador interior: el LED 1 estará iluminado, el LED 2 estará iluminado (si la codificación es 0) o apagado (si la codificación no es 0), y el LED 3 parpadeará.
- Cuadro del controlador exterior: el LED 1 (verde) y el LED 2 (rojo) estarán iluminados. (Una vez finalizado el modo de inicio del sistema, el LED 2 se apagará). Si el cuadro del controlador exterior utiliza una pantalla digital, se visualizará alternativamente [-] y [-] cada segundo. Si las operaciones no funcionan correctamente después de realizar los procedimientos del paso 2 y posteriores, deben considerarse las siguientes causas y solucionarse si están presentes. (Los síntomas descritos a continuación aparecen durante el modo de prueba. La mención de "Startup" (Inicio) en la tabla se refiere a la pantalla de LEDs mencionada anteriormente).

Síntomas en el modo de prueba		Causa
Pantalla del controlador remoto	Pantalla de LEDs DEL CUADRO EXTERIOR <> indica pantalla digital.	
El controlador remoto muestra "PLEASE WAIT" (ESPERE, POR FAVOR) y no puede utilizarse.	Después de visualizarse "startup" (inicio), solo se ilumina el indicador verde. <00>	<ul style="list-style-type: none"> • Una vez activado el equipo, se visualiza "PLEASE WAIT" (ESPERE, POR FAVOR) durante 2 minutos mientras se inicia el sistema. (Normal)
Una vez activado el equipo, se visualiza "PLEASE WAIT" (ESPERE, POR FAVOR) durante 3 minutos y luego se visualiza un código de error.	Después de visualizarse "startup" (inicio), parpadean alternativamente los indicadores verde (una vez) y rojo (una vez). <F1>	<ul style="list-style-type: none"> • Conexión incorrecta del bloque de terminales exteriores (R, S, T y S₁, S₂, S₃).
	Después de visualizarse "startup" (inicio), parpadean alternativamente los indicadores verde (una vez) y rojo (dos veces). <F3, F5, F9>	<ul style="list-style-type: none"> • El conector del dispositivo de protección de la unidad exterior está abierto.
No se visualiza nada, aunque se haya activado el interruptor de funcionamiento del controlador remoto. (La luz de funcionamiento no se ilumina).	Después de visualizarse "startup" (inicio), parpadean alternativamente los indicadores verde (dos veces) y rojo (una vez). <EA, Eb>	<ul style="list-style-type: none"> • Cableado incorrecto entre la unidad interior y la exterior (polaridad incorrecta para S₁, S₂, S₃.) • El cable de transmisión del controlador remoto es corto.
	Después de visualizarse "startup" (inicio), solo se ilumina el indicador verde. <00>	<ul style="list-style-type: none"> • No existe ninguna unidad exterior con codificación 0. (La codificación es distinta a 0). • El cable de transmisión del controlador remoto está abierto.
La pantalla se activa pero se desactiva enseguida, aunque se utilice el controlador remoto.	Después de visualizarse "startup" (inicio), solo se ilumina el indicador verde. <00>	<ul style="list-style-type: none"> • Después de cancelar la selección de funciones, no podrá utilizarse el equipo durante unos 30 segundos. (Normal)

Paso 2 Seleccione "Test run" (Modo prueba) desde el controlador remoto.

- ① Seleccione "Test run" (Modo prueba) desde el Menú principal, y pulse el botón [ACEPTAR]. (Fig. 7-1)
- ② Seleccione "Test run" (Modo prueba) desde el menú Modo prueba, y pulse el botón [ACEPTAR]. (Fig. 7-2)
- ③ Se inicia la prueba, y se visualiza la pantalla Modo prueba.

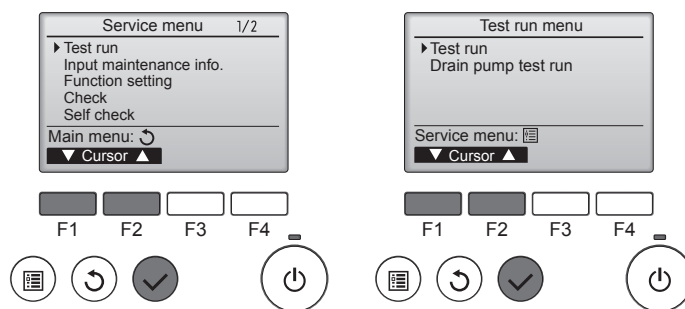


Fig. 7-1

Fig. 7-2

Paso 3 Realice la prueba y compruebe la temperatura del flujo de aire y el sistema automático de desviación del aire.

- ① Pulse el botón [F1] para cambiar el modo de funcionamiento. (Fig. 7-3)
Modo de refrigeración: compruebe si sale aire frío de la unidad.
Modo de calefacción: compruebe si sale aire caliente de la unidad.
- ② Pulse el botón [ACEPTAR] para visualizar la pantalla de funcionamiento Lama, y luego pulse los botones [F1] y [F2] para comprobar el sistema automático de desviación del aire. (Fig. 7-4)
Pulse el botón [VOLVER] para volver a la pantalla Modo prueba.

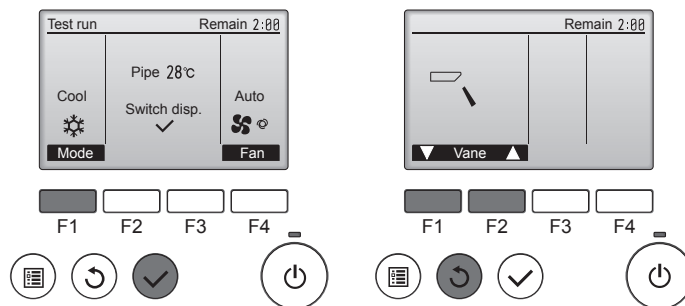


Fig. 7-3

Fig. 7-4

7. Prueba de funcionamiento

Paso 4 Confirme el funcionamiento del ventilador de la unidad exterior.

La velocidad del ventilador de la unidad exterior se controla para vigilar el rendimiento de la unidad. Dependiendo del aire del entorno, el ventilador girará a velocidad lenta y seguirá girando a dicha velocidad a menos que el rendimiento sea insuficiente. Por lo tanto, el viento exterior puede provocar que el ventilador deje de girar o que gire en dirección contraria, pero esto no indica un problema.

Paso 5 Detenga la prueba.

① Pulse el botón [ENCENDIDO/APAGADO] para detener la prueba. (Aparecerá el menú Modo prueba).

Nota: si se visualiza un error en el controlador remoto, consulte la tabla siguiente.

LCD	Descripción del funcionamiento defectuoso	LCD	Descripción del funcionamiento defectuoso	LCD	Descripción del funcionamiento defectuoso
P1	Error del sensor de admisión	P9	Error del sensor del tubo (tubo de pared doble)	E0 – E5	Error de comunicación entre el controlador remoto y la unidad interior
P2	Error del sensor del tubo (tubo del líquido)	PA	Error de fuga (sistema de refrigerante)		
P4	Conector de conmutación del flotador de drenaje desconectado (CN4F)	Pb	Error en el motor del ventilador de la unidad interior		
		PL	Circuito de refrigeración anómalo		
P5	Funcionamiento de la protección contra desbordamiento de drenaje	FB	Error del cuadro del controlador interior	E6 – EF	Error de comunicación entre la unidad interior y la exterior
P6	Funcionamiento de la protección contra congelación/sobrecalentamiento	U*, F* (* indica un carácter alfanumérico excepto FB).	Funcionamiento anómalo de la unidad exterior. Consulte el diagrama de cableado para la unidad exterior.		
P8	Error de temperatura del tubo				

Consulte en la tabla siguiente los detalles de la pantalla de LEDs (LED 1, 2 y 3) en el cuadro del controlador interior.

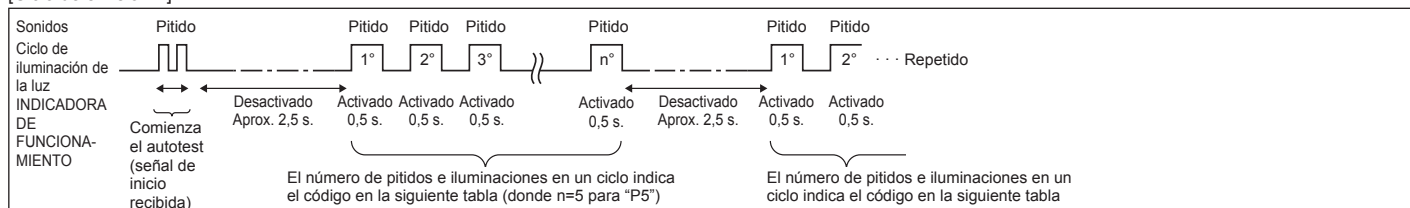
LED 1 (alimentación del microordenador)	Indica si se suministra alimentación de control. Compruebe que este LED esté siempre iluminado.
LED 2 (alimentación del controlador remoto)	Indica si el controlador remoto cableado recibe alimentación. El LED solo se ilumina para la unidad interior conectada a la unidad exterior con una codificación 0.
LED 3 (comunicación entre la unidad interior/exterior)	Indica si las unidades interior y exterior se comunican entre sí. Compruebe que este LED esté siempre parpadeando.

7.3. Autotest

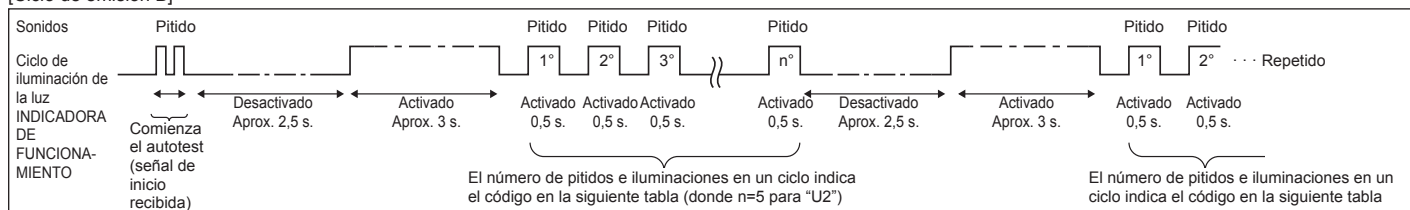
■ Consulte el manual de instalación suministrado con cada controlador remoto para obtener más información.

• Para más información sobre los códigos de comprobación, consulte las siguientes tablas. (Controlador remoto inalámbrico)

[Ciclo de emisión A]



[Ciclo de emisión B]



7. Prueba de funcionamiento

[Ciclo de emisión A] Errores detectados por la unidad interior

Controlador remoto inalámbrico	Controlador remoto cableado	Síntoma	Observaciones
Pitido/se ilumina la luz INDICADORA DE FUNCIONAMIENTO (número de veces)	Código de comprobación		
1	P1	Error del sensor de admisión	
2	P2	Error del sensor del tubo (TH2)	
	P9	Error del sensor del tubo (TH5)	
3	E6, E7	Error de comunicación con unidad interior/exterior	
4	P4	Error del sensor de drenaje/Conector del interruptor de flotador abierto	
5	P5	Error de la bomba de drenaje	
	PA	Error del compresor forzado	
6	P6	Funcionamiento de seguridad por helada/sobrecalentamiento	
7	EE	Error de comunicación entre unidades interior y exterior	
8	P8	Error de temperatura del tubo	
9	E4	Error de recepción de señal del controlador remoto	
10	—	—	
11	Pb	Error en el motor del ventilador de la unidad interior	
12	Fb	Error del sistema de control de la unidad interior (error de memoria, etc.)	
14	PL	Circuito de refrigeración anómalo	
Sin sonido	E0, E3	Error de transmisión del controlador remoto	
Sin sonido	E1, E2	Error del panel de control del controlador remoto	
Sin sonido	— — — —	No corresponde	

[Ciclo de emisión B] Errores detectados por una unidad distinta de la unidad interior (unidad exterior, etc.)

Controlador remoto inalámbrico	Controlador remoto cableado	Síntoma	Observaciones
Pitido/se ilumina la luz INDICADORA DE FUNCIONAMIENTO (número de veces)	Código de comprobación		
1	E9	Error de comunicación de la unidad interior/exterior (error de transmisión) (unidad exterior)	Para información detallada, compruebe la pantalla de LEDs del cuadro del controlador exterior.
2	UP	Interrupción del compresor por sobrecorriente	
3	U3, U4	Apertura/corte de termostatos de la unidad exterior	
4	UF	Interrupción por sobrecorriente del compresor (si el compresor está bloqueado)	
5	U2	Temperatura de descarga anormalmente alta/49C funcionó/refrigerante insuficiente	
6	U1, Ud	Presión anormalmente alta (63H funcionó)/Funcionamiento de seguridad por sobrecalentamiento	
7	U5	Temperatura anormal del cuerpo de refrigeración	
8	U8	Parada de seguridad del ventilador de la unidad exterior	
9	U6	Interrupción del compresor por sobrecorriente/Anomalía en el módulo de alimentación	
10	U7	Anomalía de sobrecalentamiento debido a una baja temperatura de descarga	
11	U9, UH	Anomalía (tensión demasiado alta o baja, señal asíncrona anormal al circuito principal)/Error del sensor de corriente	
12	—	—	
13	—	—	
14	Otros	Otros errores (consulte el manual técnico de la unidad exterior).	

*1 Si tras los dos pitidos iniciales que confirman la recepción de la señal de inicio del autotest no hay más pitidos y la luz INDICADORA DE FUNCIONAMIENTO no se enciende, no habrá errores registrados.

*2 Si suenan tres pitidos consecutivos "piip, piip, piip (0,4 + 0,4 + 0,4 segundos)" tras los dos pitidos iniciales que confirman la recepción de la señal de inicio del autotest, la dirección de refrigerante especificada no es correcta.

• Controlador remoto inalámbrico

Se oye un pitido continuo desde la sección receptora de la unidad interior.

La luz de funcionamiento parpadea

• Controlador remoto cableado

Compruebe el código que aparece en la LCD.

7. Prueba de funcionamiento

• Si no se puede activar la unidad adecuadamente después de haberse llevado a cabo la ejecución de prueba, consulte la tabla siguiente para suprimir la causa.

Síntoma		Causa
Controlador remoto cableado	LED 1, 2 (tarjeta de circuito impreso en unidad exterior)	
PLEASE WAIT	Durante aproximadamente 2 minutos después del encendido.	Después de iluminarse los LED 1 y 2, el LED 2 se apaga y solo queda iluminado el LED 1. (Funcionamiento correcto)
PLEASE WAIT → Código de error	Aproximadamente 2 minutos después de haber finalizado el encendido.	Solo se ilumina el LED 1. → Los LED 1 y 2 parpadean.
NO aparecen mensajes en pantalla aunque se active el interruptor de funcionamiento (la luz de funcionamiento no se enciende).		Solo se ilumina el LED 1. → El LED 1 parpadea dos veces y el LED 2 una.

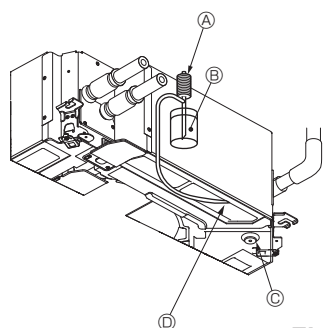
Si sucede lo que se ha indicado anteriormente:

- No se acepta ninguna señal procedente del controlador remoto.
- La luz FUNCIONAMIENTO parpadea.
- Se emite un pitido breve.

Nota:

No se puede utilizar durante aproximadamente 30 segundos después de cancelar la selección de funciones. (Funcionamiento correcto)

Para la descripción de cada uno de los LED (LED 1, 2, 3) de los controladores interiores, consulte la página 91.



- Ⓐ Bomba de alimentación de agua
 - Ⓑ Agua (aprox. 1000cc)
 - Ⓒ Tapón de drenaje
 - Ⓓ Vaciar agua por la salida
- Tenga cuidado de que no caiga agua en el mecanismo de la bomba de drenaje.

Fig. 7-5

7.4. Comprobación del drenaje (Fig. 7-5)

- Compruebe que el agua se drena correctamente y que no hay fugas en las juntas.

Si el trabajo eléctrico está terminado.

- Vacíe agua durante el funcionamiento de refrigeración de la prueba de funcionamiento (consulte el apartado 7.2.) y efectúe la comprobación.

Si el trabajo eléctrico no está terminado.

- Vacíe agua durante el funcionamiento de emergencia y efectúe la comprobación.
- * El depósito de drenaje y el ventilador se activan simultáneamente al conectar la tensión monofásica de 220-240 V en S1 y S2 del bloque de terminales después de activar (ON) el conector (SWE) del cuadro del controlador que hay en la caja de componentes eléctricos.

Asegúrese de devolverlo a su posición original al finalizar el trabajo.

8. Sistema de control

Consulte el manual de instalación de la unidad exterior.

9. Instalación de la rejilla

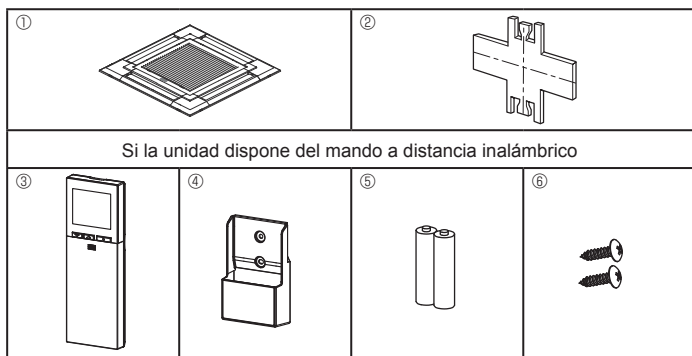


Fig. 9-1

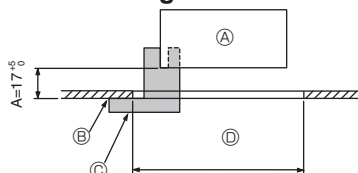


Fig. 9-2

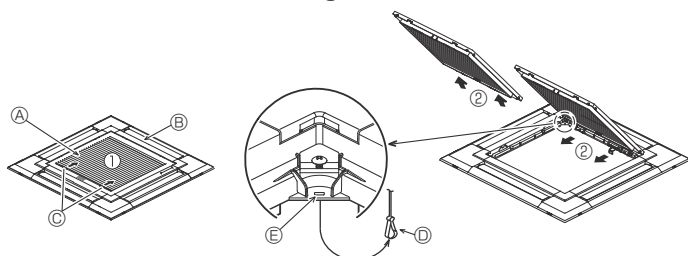


Fig. 9-3

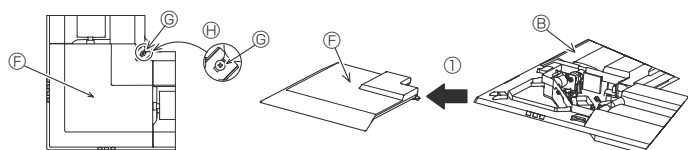


Fig. 9-4

	4 direcciones	3 direcciones
Patrones de la dirección de circulación	1 patrón: Ajuste de fábrica 	4 patrones: Una salida de aire completamente cerrada
Patrones de la dirección de circulación	2 direcciones 6 patrones: 2 salidas de aire completamente cerradas 	

Tabla 1

<El gancho está levantado>

<El gancho está bajado>

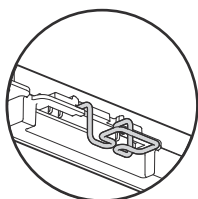
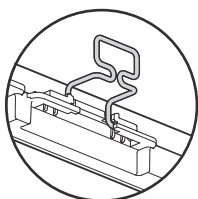


Fig. 9-5

9.1. Comprobación de los contenidos (Fig. 9-1)

- Este equipo contiene este manual y las siguientes piezas.

	Nombre accesorio	Cantidad	Forma
①	Dimensiones de la rejilla	1	950 × 950 (mm)
②	Calibre de instalación	1	(Dividido en 4 partes)
③	Controlador remoto inalámbrico	1	para PLP-6EALM
④	Soporte del controlador remoto	1	Se incluye si la unidad dispone del mando a distancia inalámbrico.
⑤	Pilas LR6 AA	2	Se incluye si la unidad dispone del mando a distancia inalámbrico.
⑥	Tornillos roscados de 3,5 × 16	2	Se incluye si la unidad dispone del mando a distancia inalámbrico.

9.2. Preparación para conectar la rejilla (Fig. 9-2)

- Con el calibre ② que se entrega con este equipo, ajuste y compruebe la posición de la unidad principal en relación con la superficie del techo. Si la unidad principal no está colocada en el techo de forma adecuada, podrían producirse escapes de aire o generarse condensación.
- Asegúrese de que la abertura del techo está dentro de los siguientes límites: 860 × 860 - 910 × 910
- Asegúrese de que el paso A se realiza en 17-22 mm. Si no se respeta este margen, podrían producirse graves daños.

- A Unidad principal
- B Superficie del techo
- C Calibre de instalación ② (insertado en la unidad principal)
- D Dimensiones de apertura del techo

9.2.1. Extracción de la rejilla de admisión (Fig. 9-3)

- Deslice las palancas en la dirección indicada mediante la flecha ① para abrir la rejilla de admisión.
- Quite el gancho que fija la rejilla.
* No quite el gancho de la rejilla de admisión.
- Con la rejilla de admisión en posición "abierta", extraiga la bisagra de la rejilla de admisión de la rejilla tal y como se indica mediante la flecha ②.

9.2.2. Extracción del panel angular (Fig. 9-4)

- Afloje los 4 tornillos de la esquina. Deslice el panel angular en la dirección indicada por la flecha ① de la imagen y retírelo.

[Fig. 9-3] [Fig. 9-4]

- A Rejilla de admisión
- B Rejilla ①
- C Palancas de la rejilla de admisión
- D Gancho de la rejilla
- E Orificio para el gancho de la rejilla
- F Panel angular
- G Tornillo
- H Detalle

9.3. Selección de las salidas de aire

Para esta rejilla, la dirección de expulsión puede seleccionarse entre 11 modalidades. También es posible, estableciendo los valores adecuados en el control remoto, ajustar la corriente de aire y su velocidad. Seleccione los valores adecuados en la Tabla 1 de acuerdo con el lugar en que vaya a instalar la unidad. (Deben seleccionarse más de dos direcciones).

- Elija una modalidad de expulsión.
- Asegúrese de establecer los valores adecuados en el mando a distancia de acuerdo con el número de salidas de aire y de la altura del techo donde se va a instalar la unidad principal. (Véase la página 89.)

Nota:

- Quando cambie el número de direcciones, necesitará una placa de cierre de la salida de aire, que es un componente opcional.
- No seleccione 2 direcciones en entornos cálidos y húmedos. (Podrían formarse gotas de condensación).

9.4. Instalación de la rejilla

9.4.1. Preparación (Fig. 9-5)

- Levante siempre los 2 ganchos de la rejilla.

9. Instalación de la rejilla

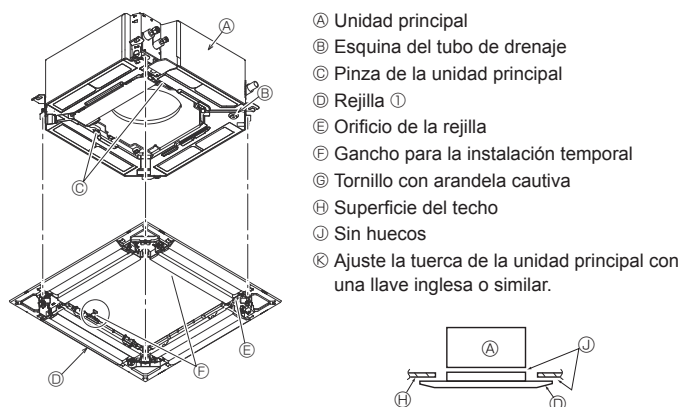


Fig. 9-6

< Instalación temporal de la rejilla >

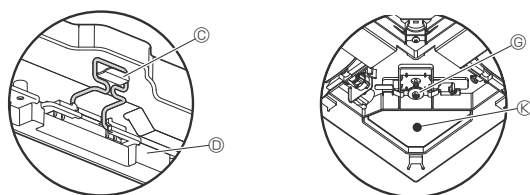


Fig. 9-7

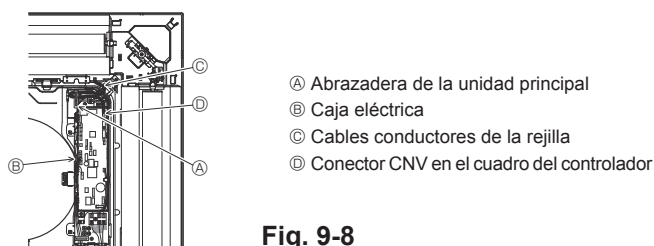


Fig. 9-8

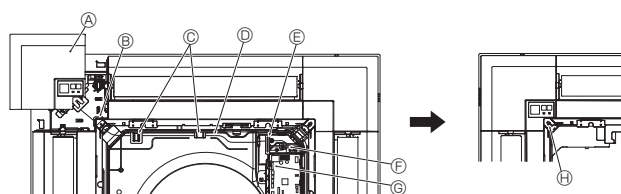


Fig. 9-9

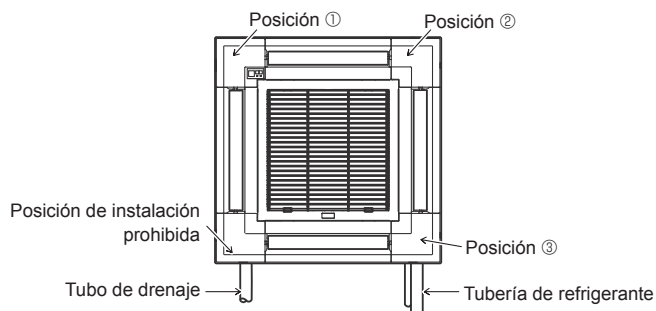


Fig. 9-10

9.4.2. Instalación provisional de la rejilla (Fig. 9-6)

- Junte la esquina del tubo de drenaje de la unidad principal con la esquina agujereada de la rejilla y únalos temporalmente colgando el gancho de la rejilla en la pinza de la unidad principal.

9.4.3. Sujetar la rejilla

- Sujete la rejilla a la unidad principal apretando los tornillos preinstalados. (Fig. 9-6)
Nota:
Compruebe que no haya ningún hueco entre la unidad principal y la rejilla, ni entre la rejilla y la superficie del techo. (Fig. 9-6)

Si hay algún hueco entre la rejilla y el techo:

Con la rejilla colocada, ajuste ligeramente la altura de instalación de la unidad principal y corrija el hueco.

⚠ Precaución:

- Cuando apriete el tornillo, hágalo con un par de apriete de 2,8 N•m a 3,6 N•m. No utilice nunca un destornillador por percusión.
- Después de apretar el tornillo, confirme que los dos ganchos de la rejilla (Fig. 9-6) estén sujetos en los ganchos de la unidad principal.

9.4.4. Conexión de los cables (Fig. 9-8)

- Afloje los 2 tornillos que sujetan la cubierta de la caja eléctrica de la unidad principal, y luego deslice la cubierta para abrirla.
- Pase el cable conductor desde un lado de la caja eléctrica.
- Conecte siempre un conector para el motor de las paletas (blanco, 20 polos) al conector CNV (blanco) en el cuadro del controlador de la unidad principal.
- Los cables conductores que salen de la rejilla deben mantenerse unidos y tensos utilizando una abrazadera en la caja eléctrica.

9.4.5. Instalar el receptor de señales (Fig. 9-9)

- Pase el cable conductor (blanco, 9 polos) para el panel angular del receptor de señales desde el lateral de la caja eléctrica de la unidad principal.
- Conecte siempre a CN90 (blanco) en el cuadro del controlador.
- Compruebe que el cable conductor del panel angular del receptor de señales haya pasado a través de la pinza de la boca de la campana.
- El resto del cable conductor debe mantenerse unido y tenso utilizando una abrazadera en la caja eléctrica.
- Vuelva a colocar la cubierta en la caja eléctrica con 2 tornillos.

Nota:

Compruebe que los cables no queden atrapados en la cubierta de la caja eléctrica. Instale el panel angular del receptor de señales al panel y sujételo con el tornillo. El panel angular del receptor de señales no puede instalarse en el lateral del tubo de drenaje de la unidad principal. (Consulte la Fig. 9-10)

- Ⓐ Panel angular del receptor de señales
- Ⓑ Orificio de la rejilla (para pasar el cable conductor).
- Ⓒ Pinza de la boca de la campana
- Ⓓ Cable
- Ⓔ Abrazadera
- Ⓕ Unión del cable (para sujetar el cable conductor).
- Ⓖ CN90 en el cuadro del controlador
- Ⓗ Tornillo

9. Instalación de la rejilla

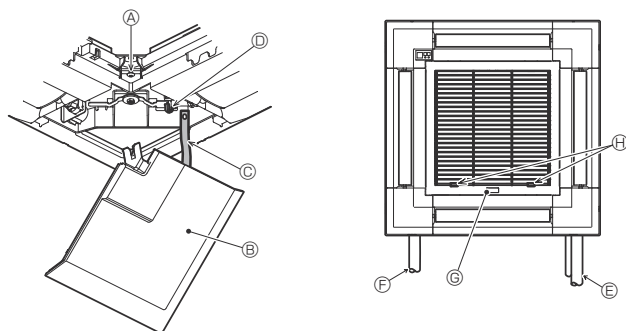


Fig. 9-11

9.5. Instalación de la rejilla de admisión (Fig. 9-11)

Nota:

Cuando vuelva a instalar los paneles angulares (con una cinta de seguridad colocada en cada uno), conecte el otro extremo de cada cinta de seguridad a la rejilla, tal como se muestra en la ilustración.

- * Si los paneles angulares no están colocados firmemente, pueden caerse cuando la unidad principal esté funcionando.
- * Invierta el procedimiento descrito en el apartado "9.2. Preparación para conectar la rejilla" para instalar la rejilla de admisión y el panel angular.
- * La dirección de la rejilla de admisión puede cambiarse de acuerdo con las preferencias del cliente.

- Ⓐ Tornillo (4 × 16)
- Ⓑ Panel angular
- Ⓒ Cinta de seguridad
- Ⓓ Gancho
- Ⓔ Tubo de refrigerante
- Ⓕ Tubo de drenaje
- Ⓖ Logotipo de la empresa

* Puede instalarse en cualquier posición.

Ⓜ Posición inicial de las palancas en la rejilla de admisión

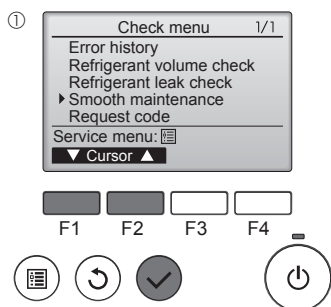
* Aunque los clips pueden instalarse en cualquiera de las 4 posiciones, se recomienda la configuración mostrada aquí. (No es necesario retirar la rejilla de admisión cuando realice el mantenimiento en la caja eléctrica de la unidad principal).

10. Función de mantenimiento fácil

Los datos de mantenimiento, como la temperatura del intercambiador de calor de la unidad interior/exterior y la corriente de funcionamiento del compresor, pueden visualizarse mediante el "Smooth maintenance" (mantenimiento suave).

* No puede ejecutarse durante la prueba de funcionamiento.

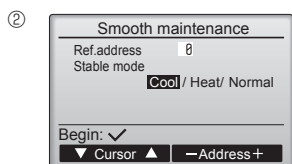
* Según la combinación con la unidad exterior, esta función puede no ser compatible con algunos modelos.



- Seleccione "Service" (Revisión) desde el Main menu (Menú principal), y pulse el botón [ACEPTAR].

- Seleccione "Check" (Comprobación) con el botón [F1] o [F2], y pulse el botón [ACEPTAR].

- Seleccione "Smooth maintenance" (mantenimiento suave) con el botón [F1] o [F2], y pulse el botón [ACEPTAR].



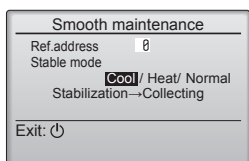
Seleccione cada uno de los elementos

- Seleccione el elemento que desea cambiar con el botón [F1] o [F2].

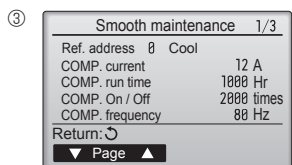
- Seleccione el ajuste correspondiente con el botón [F3] o [F4].

Ajuste "Ref. address" (Codificación) "0" - "15"
 Ajuste "Stable mode" (Modo estable) "Cool" (Frío) / "Heat" (Calor) / "Normal"

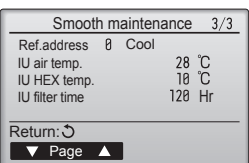
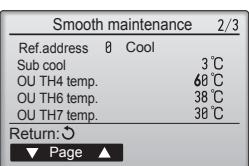
- Pulse el botón [ACEPTAR], con lo que se iniciará el funcionamiento fijo.
- * Stable mode (Modo estable) se prolongará durante unos 20 minutos.



Aparecerán los datos de funcionamiento.



El tiempo de funcionamiento acumulado del compresor ("COMP. run" (Func. COMP.)) se expresa en unidades de 10 horas, y el número de veces que se ha puesto en funcionamiento el compresor ("COMP. On/Off" (COMP. encendido/apagado)) se expresa en unidades de 100 veces (se omiten las fracciones)



Navegación por las pantallas

- Para volver al Menú principal..... Botón [MENÚ]
- Para volver a la pantalla anterior Botón [VOLVER]

Indice





1. Misure di sicurezza.....	97	6. Collegamenti elettrici.....	103
2. Luogo in cui installare.....	98	7. Prova di funzionamento.....	109
3. Installazione della sezione interna	99	8. Controllo del sistema	112
4. Installazione della tubazione del refrigerante	101	9. Installazione della griglia	113
5. Installazione della tubazione di drenaggio	102	10. Funzione di manutenzione facile.....	115

Nota:
 Nel presente manuale di installazione la locuzione "comando a distanza con filo" fa riferimento al dispositivo PAR-32MAA.
 Per informazioni relative all'altro comando a distanza, consultare il manuale di installazione o il manuale delle impostazioni iniziali acclusi a queste confezioni.



1. Misure di sicurezza

- ▶ Leggere attentamente la sezione "Misure di sicurezza" prima di far funzionare l'unità.
- ▶ La sezione "Misure di sicurezza" contiene informazioni importanti sulla sicurezza di funzionamento dell'unità. Accertarsi che vengano seguite perfettamente.
- ▶ Prima di collegare l'apparecchiatura alla rete di alimentazione, informare l'ente energia o richiederne il consenso.



SIGNIFICATO DEI SIMBOLI VISUALIZZATI SULL'UNITÀ

	AVVERTENZA (Rischio di incendio)	Questo marchio è riservato unicamente al refrigerante R32. Il tipo di refrigerante è scritto sulla targhetta dell'unità esterna. Nel caso in cui il tipo di refrigerante sia R32, questa unità utilizza un refrigerante infiammabile. Qualora dovesse fuoriuscire o entrare in contatto con il fuoco o con una fonte di calore, il refrigerante darà origine a gas nocivo e rischio di incendio.
		Prima dell'utilizzo, leggere attentamente le ISTRUZIONI DI FUNZIONAMENTO.
		Prima dell'utilizzo, il personale di assistenza deve leggere le ISTRUZIONI DI FUNZIONAMENTO e il MANUALE DI INSTALLAZIONE.
		È possibile trovare ulteriori informazioni nelle ISTRUZIONI DI FUNZIONAMENTO, nel MANUALE DI INSTALLAZIONE e documenti simili.


Simboli utilizzati nel testo

-  **Avvertenza:**
 Descrive le precauzioni da prendere per evitare il rischio di lesioni, anche mortali, per l'utente.
-  **Cautela:**
 Descrive le precauzioni da prendere per evitare il danneggiamento dell'unità.

Simboli utilizzati nelle illustrazioni

-  : Indica la necessità di collegare un componente a massa.
-  : Non fare assolutamente.

Terminata l'installazione, spiegare le "Misure di sicurezza", l'uso e la manutenzione dell'unità al cliente conformemente alle informazioni riportate nel manuale d'uso ed eseguire il ciclo di prova per accertare che l'impianto funzioni normalmente. Consegnare il Manuale d'uso ed il Manuale di installazione al cliente, che li dovrà conservare e, in futuro, consegnarli ad eventuali nuovi utenti.

-  **Avvertenza:**
 - Leggere attentamente le etichette attaccate all'unità principale.
 - Rivolgersi a un rivenditore o a un tecnico autorizzato per l'installazione, il trasferimento e la riparazione dell'unità.
 - L'utente deve astenersi dal tentare di riparare l'unità, nonché dal cambiare posizione alla stessa.
 - Non modificare l'unità.
 - Per gli interventi di installazione e trasloco, seguire le istruzioni nel Manuale di Installazione e utilizzare gli utensili e i componenti dei tubi appositamente realizzati per l'uso con il refrigerante indicato nel manuale di installazione dell'unità esterna.
 - L'unità deve essere montata conformemente alle istruzioni, riducendo al minimo il rischio di possibili danni causati da terremoti, tifoni o forti raffiche di vento. Se installata in maniera scorretta, può cadere e provocare danni e lesioni.
 - Installare l'unità in maniera sicura su una struttura in grado di sostenerne il peso.
 - Riporre l'apparecchiatura in un'area ben ventilata la cui dimensioni corrispondano alla superficie della stanza, in base a quanto indicato per il funzionamento.
 - Qualora il condizionatore d'aria venga installato in un ambiente piccolo o in una stanza chiusa, è necessario prendere i dovuti accorgimenti per evitare che nella stanza, in caso di perdita di refrigerante, si formi una concentrazione di refrigerante superiore ai limiti di sicurezza. Eventuali perdite di refrigerante o il superamento dei limiti di concentrazione possono causare situazioni di pericolo imputabili alla mancanza di ossigeno nella stanza.
 - Tenere apparecchiature a gas, stufe elettriche e altre fonti di fiamme (fonti di accensione) lontano dal luogo in cui vengono effettuate le operazioni di installazione, riparazione e altri interventi al condizionatore d'aria. Se il refrigerante viene a contatto con una fiamma, si potrebbero generare gas velenosi.
 - In presenza di perdite di refrigerante durante il funzionamento, aereare la stanza. A contatto con una fiamma, il refrigerante può rilasciare gas tossici.
 - Tutti gli interventi elettrici devono essere eseguiti da un tecnico qualificato, rispettando le normative locali e le istruzioni riportate nel presente manuale.
 - Utilizzare esclusivamente i cablaggi specificati. I collegamenti devono essere fatti in condizioni di sicurezza, senza tensione sui connettori. Inoltre, non giuntare mai i cablaggi (se non diversamente indicato nel presente documento). La mancata osservanza di queste istruzioni può essere causa di surriscaldamento o incendio.
 - Quando il condizionatore viene installato o spostato, oppure sottoposto a manutenzione, per caricare i tubi del refrigerante utilizzare esclusivamente il refrigerante specificato e indicato sull'unità esterna. Non mescolarlo con nessun altro tipo di refrigerante e non consentire all'aria di restare all'interno dei tubi. Qualora dell'aria si mescoli con il refrigerante, potrebbe far innalzare in modo anormale la pressione nel tubo del refrigerante, il che potrebbe provocare un'esplosione o altri pericoli. L'uso di refrigeranti diversi da quello specificato per il sistema provocherà guasti meccanici, malfunzionamenti del sistema o la rottura dell'unità. Nel peggiore dei casi, questo potrebbe impedire seriamente di garantire la messa in sicurezza del prodotto.
 - L'apparecchio deve essere installato in conformità con gli standard normativi nazionali sul cablaggio.

- Questo apparecchio non può essere utilizzato da persone (bambini compresi) dalle capacità fisiche, sensorie o mentali ridotte, o senza la necessaria esperienza e conoscenza, a meno che tali persone non siano state specificamente istruite all'uso dell'apparecchio o supervisionate dalla persona responsabile della loro sicurezza.
- Si consiglia di sorvegliare i bambini piccoli per evitare che giochino con l'apparecchio.
- Il pannello di copertura della morsetteria dell'unità deve essere fissato saldamente.
- Se il cavo di alimentazione è danneggiato, deve essere sostituito dal fabbricante, dal responsabile addetto all'assistenza o da personale ugualmente qualificato, in modo da scongiurare pericoli.
- Utilizzare soltanto gli accessori autorizzati dalla Mitsubishi Electric e richiedere a un rivenditore o a un tecnico autorizzato di provvedere all'installazione.
- Terminata l'installazione, accertarsi che non vi siano perdite di refrigerante. Eventuali perdite di refrigerante nella stanza a contatto con una fiamma possono causare la formazione di gas tossici.
- Non utilizzare mezzi diversi da quelli consigliati dal produttore per accelerare il processo sbrinatorio o per la pulizia.
- Questo apparecchio deve essere conservato in una stanza priva di fonti di accensione in continuo funzionamento (ad esempio: fiamme libere, un apparecchio a gas in funzione o una stufa elettrica in funzione).
- Non forare né bruciare.
- Si tenga presente che i refrigeranti potrebbero essere inodori.
- I tubi devono essere protetti dai danni fisici.
- L'installazione dei tubi deve essere mantenuta al minimo.
- È necessario osservare la conformità con i regolamenti nazionali in materia di gas.
- Mantenere le aperture di ventilazione libere da ostruzioni.
- Non utilizzare una lega di saldatura a bassa temperatura per la brasatura di tubi del refrigerante.
- Durante i lavori di brasatura, assicurarsi di ventilare a sufficienza la stanza. Assicurarsi che non siano presenti materiali pericolosi o infiammabili nelle vicinanze. Quando si effettuano lavori in una stanza chiusa, in un ambiente ristretto o simili, assicurarsi che non vi siano perdite di refrigerante prima di iniziare il lavoro. Se il refrigerante perde e crea accumuli, può incendiarsi o sprigionare gas velenosi.

1. Misure di sicurezza

1.1. Prima dell'installazione (Ambiente)

⚠ Cautela:

- Non utilizzare l'unità in un ambiente insolito. Se il condizionatore d'aria viene installato in zone esposte a vapore, olio volatile (compreso l'olio per macchine) o gas solforico, oppure in zone in cui l'aria è salmastra (località marittime), le sue prestazioni possono risentirne notevolmente ed i componenti esterni possono danneggiarsi.
- Non installare l'unità dove si possono verificare perdite, produzione, flusso o accumulo di gas. Nel caso di accumulo di gas attorno all'unità, si possono verificare incendi ed esplosioni.
- Non tenere alimenti, piante, animali in gabbia, lavori artistici o strumenti di precisione nel flusso diretto dell'aria o troppo vicino all'unità interna, poiché le variazioni di temperatura o le perdite di acqua possono risultare dannose.
- Un livello di umidità superiore all'80% o l'otturazione dei tubi di scarico possono causare la fuoriuscita dell'acqua dall'unità interna. Non installare l'unità interna in luoghi dove questo tipo di perdite possa causare un danno.
- Qualora l'unità venisse installata in un ospedale o in uffici aperti al pubblico, considerare che essa potrà essere fonte di rumorosità ed interferenze con le apparecchiature elettroniche. Gli inverter, le applicazioni domestiche, le attrezzature mediche ad alta frequenza e le apparecchiature di radiocomunicazione possono provocare danni o rotture del condizionatore. Il condizionatore può anche influire sul funzionamento delle attrezzature mediche, disturbandone le prestazioni e le apparecchiature di comunicazione, pregiudicando la qualità di visualizzazione sullo schermo.

1.2. Prima dell'installazione o dello spostamento

⚠ Cautela:

- Trasportare le unità con estrema cautela. Poiché l'unità pesa oltre 20 chili, per maneggiarla occorrono almeno due persone. Non afferrare l'unità per i nastri di imballaggio. Per evitare di ferirsi le mani sulle alette o su altre parti, indossare guanti protettivi.
- Smaltire in maniera sicura il materiale di imballaggio. Il materiale di imballaggio, tra cui i chiodi e altre parti in metallo o legno, possono causare ferite da punta o altri tipi di lesione.
- L'isolamento termico del tubo del refrigerante è necessario per impedire la formazione di condensa. Se il tubo del refrigerante non è adeguatamente isolato, si formerà della condensa.
- Per prevenire la formazione di condensa, isolare termicamente i tubi. Un'installazione scorretta del tubo di scarico può causare perdite di acqua e danni al soffitto, al pavimento, ai mobili e ad altri oggetti.
- Non pulire il condizionatore con acqua. Rischio di scossa elettrica.
- Con una chiave torsiometrica, stringere tutti i dadi a cartella alla coppia specificata. Un dado a cartella eccessivamente serrato può rompersi dopo un lungo periodo.
- Se l'unità è in funzione per molte ore quando l'aria all'altezza del soffitto è a temperatura/umidità elevata (punto di rugiada superiore a 26 °C), può prodursi della condensa nell'unità interna o nei materiali del soffitto. Quando le unità funzionano in questa condizione, aggiungere del materiale isolante (10-20 mm) sull'intera superficie dell'unità e sui materiali del soffitto per evitare la formazione di condensa.

1.3. Prima dell'esecuzione degli interventi elettrici

⚠ Cautela:

- Accertarsi di aver installato gli interruttori di circuito. In caso contrario, esiste il rischio di scossa elettrica.
- Per le linee di alimentazione utilizzare cavi standard di capacità sufficiente. In caso contrario, rischio di cortocircuito, surriscaldamento o incendio.
- Durante l'installazione delle linee di alimentazione, non mettere i cavi sotto tensione.
- Mettere a terra l'unità. Se non messa a terra correttamente, l'unità può causare scosse elettriche.
- Usare interruttori di circuito (interruttore di guasti a terra, sezionatore (fusibile +B) e interruttore di circuito a corpo sagomato) con la capacità specificata. Una capacità dell'interruttore di circuito superiore a quella specificata può causare guasti o incendi.

1.4. Prima di iniziare il ciclo di prova

⚠ Cautela:

- Azionare l'interruttore principale almeno 12 ore prima di avviare l'impianto. L'avvio dell'impianto immediatamente dopo l'azionamento dell'interruttore principale può danneggiare gravemente le parti interne.
- Prima di avviare l'impianto, accertarsi che tutti i pannelli, le protezioni ed altri elementi di sicurezza siano installati correttamente. Gli elementi rotanti, caldi o ad alta tensione possono provocare lesioni.
- Non azionare il condizionatore senza aver prima installato il filtro dell'aria. In assenza del filtro dell'aria, la polvere si potrebbe accumulare causando un guasto all'impianto.
- Non toccare nessun interruttore con le mani umide. Rischio di scossa elettrica.
- Non toccare i tubi del refrigerante a mani nude durante il funzionamento.
- A funzionamento terminato, attendere almeno cinque minuti prima di spegnere l'interruttore principale. Diversamente, si possono verificare perdite di acqua o guasti.

2. Luogo in cui installare

Consultare il manuale d'installazione dell'unità esterna.

3. Installazione della sezione interna

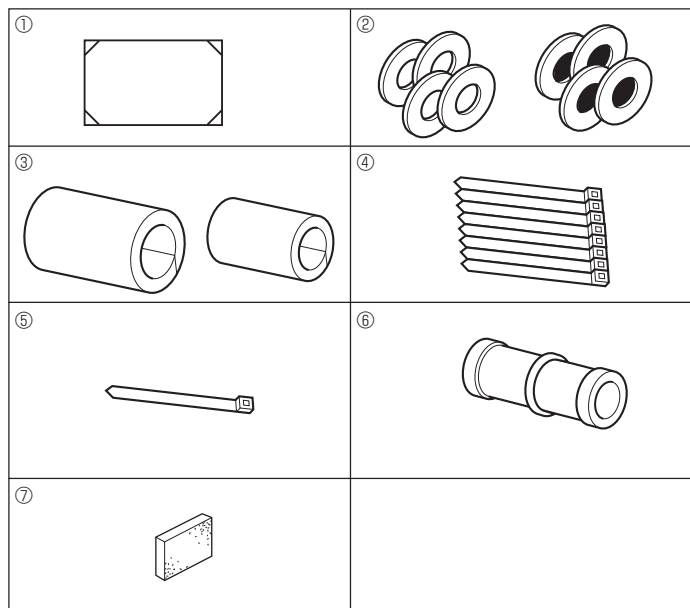


Fig. 3-1

3.1. Controllare gli accessori dell'unità interna (Fig. 3-1)

L'unità interna dovrebbe essere in dotazione i seguenti accessori.

	Nome dell'accessorio	Q.tà
①	Modello d'installazione (parte superiore del pacchetto)	1
②	Rondella (con materiale isolante) Rondella (senza materiale isolante)	4 4
③	Protezione per tubi (per giunto tubi del refrigerante) piccolo diametro grande diametro	1 1
④	Nastro (grande)	8
⑤	Nastro (piccolo)	1
⑥	Manicotto di drenaggio	1
⑦	Isolamento	1

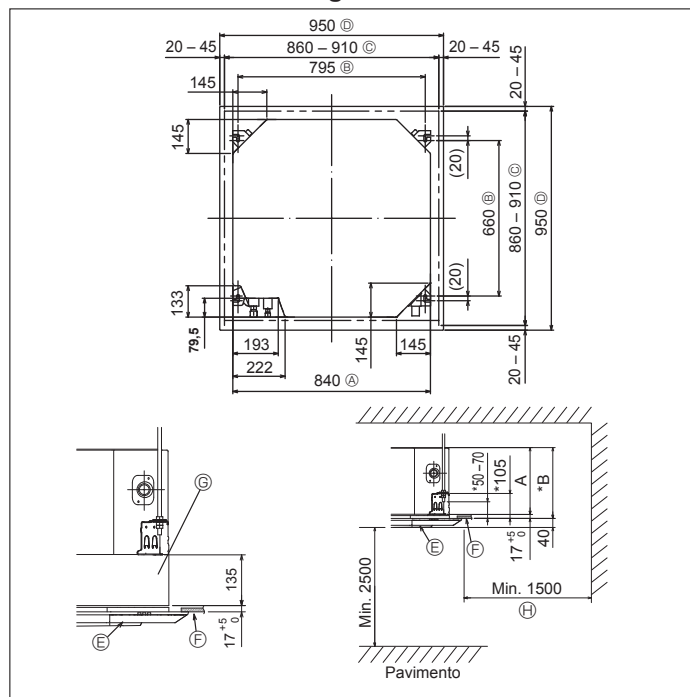


Fig. 3-2

3.2. Posizione delle aperture a soffitto e dei bulloni di sospensione (Fig. 3-2)

⚠ **Attenzione:**

Installare l'unità interna a una quota sopraelevata di almeno 2,5 metri sul pavimento o piano calpestabile.

Per elettrodomestici non accessibili al pubblico.

- Servendosi del modello (parte superiore della confezione) e dell'indicatore (fornito come accessorio con la griglia) di installazione, installare l'unità principale in modo tale che l'apertura a soffitto si trovi nel punto indicato nel diagramma (seguire il metodo indicato per l'uso di sagoma e indicatore).

* Controllare attentamente le dimensioni del modello e dell'indicatore prima di usarli, in quanto questi componenti possono subire delle modifiche a seguito delle variazioni di temperatura e dell'umidità.

* Le dimensioni dell'apertura sul soffitto possono variare entro l'intervallo indicato nella Fig. 3-2; pertanto, centrare l'unità principale nell'apertura, accertandosi di lasciare lo stesso spazio tra le due coppie di lati opposti.

- Usare i bulloni di sospensione M10 (3/8").

* I bulloni di sospensione devono essere acquistati localmente.

- Installare saldamente l'unità, assicurandosi di non lasciare alcun gioco fra il pannello del soffitto e la griglia, nonché fra l'unità principale e la griglia.

- Ⓐ Lato esterno dell'unità principale
- Ⓑ Passo del bullone
- Ⓒ Apertura a soffitto
- Ⓓ Lato esterno della griglia
- Ⓔ Griglia
- Ⓕ Soffitto
- Ⓖ Cassetta multifunzionale (opzionale)
- Ⓗ Intero bordo esterno

* Notare che lo spazio fra il pannello del soffitto e la soletta del soffitto deve essere di almeno 7 mm.

* Se è installata la cassetta multifunzionale, aggiungere 135 mm alle dimensioni indicate in figura.

(mm)

Modelli	A	B
SM71	241	258
SM100-140	281	298

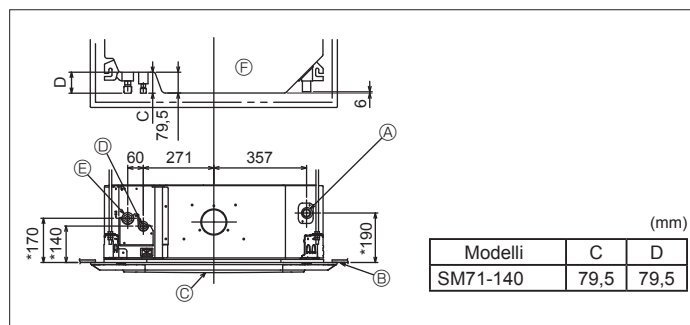


Fig. 3-3

3.3. Posizioni delle tubazioni di refrigerante e di drenaggio dell'unità interna (Fig. 3-3)

La figura contrassegnata con un * nel disegno rappresenta le dimensioni dell'unità principale, ad esclusione della cassetta multifunzionale opzionale.

- Ⓐ Tubo di drenaggio
- Ⓑ Soffitto
- Ⓒ Griglia
- Ⓓ Tubo del refrigerante (liquido)
- Ⓔ Tubo del refrigerante (gas)
- Ⓕ Unità principale

* Se è installata la cassetta multifunzionale, aggiungere 135 mm alle dimensioni indicate in figura.

3. Installazione della sezione interna

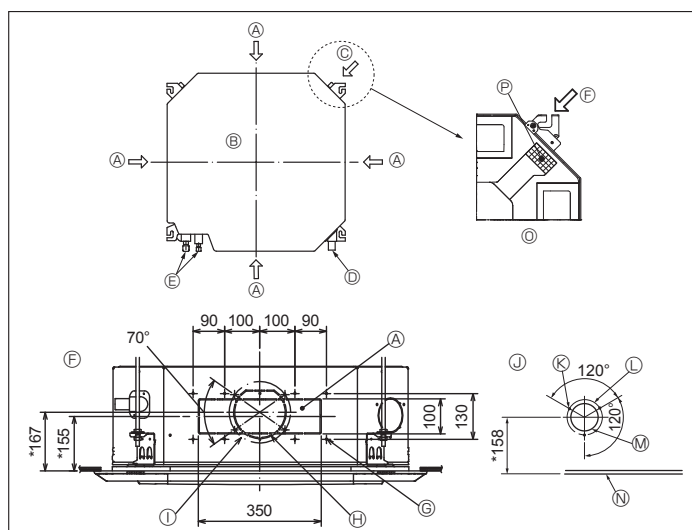


Fig. 3-4

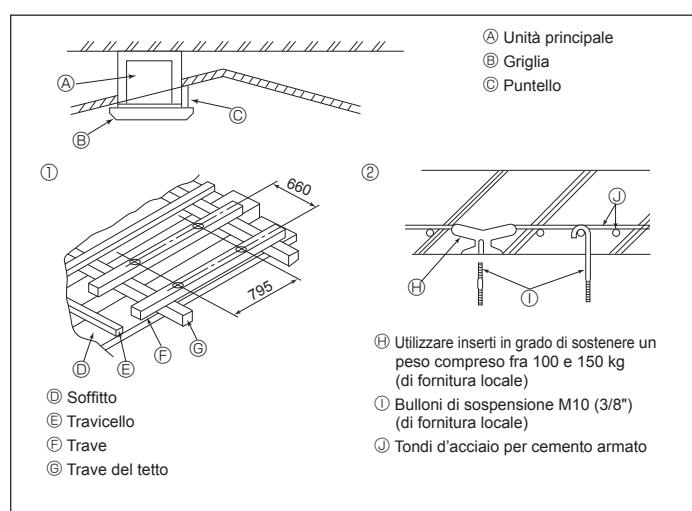


Fig. 3-5

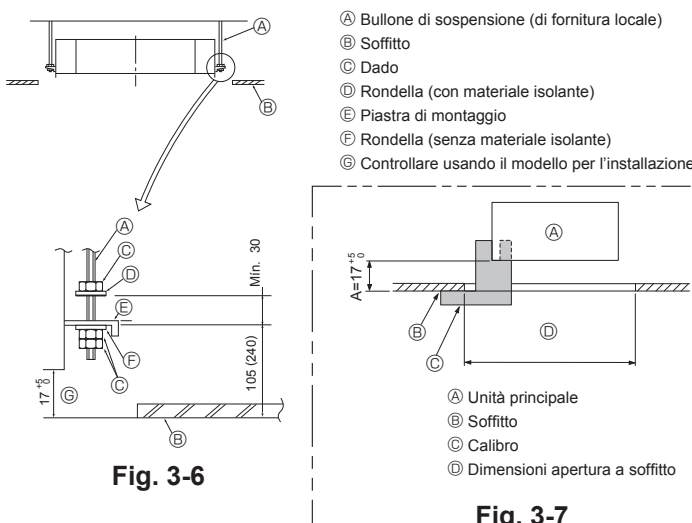


Fig. 3-6

Fig. 3-7

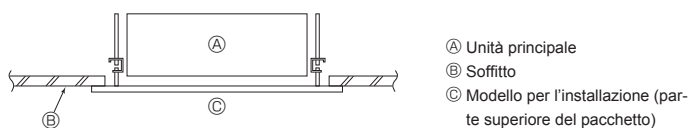


Fig. 3-8

3.4. Foro del condotto di diramazione e foro dell'ingresso dell'aria fresca (Fig. 3-4)

Al momento dell'installazione, usare i fori dei condotti (predisposti) situati nelle posizioni indicate nella Fig. 3-4, se e quando richiesto.

- È possibile inoltre predisporre un alloggiamento multifunzionale opzionale per il foro dell'ingresso dell'aria fresca.

Nota:

- Il valore marcato con * nel diagramma rappresenta le dimensioni dell'unità principale, con l'esclusione dell'alloggiamento multifunzionale opzionale.
- Per l'installazione di detto alloggiamento, prevedere l'aggiunta di 135 mm alle dimensioni indicate nella figura.
- Per l'installazione del condotto di diramazione, prevedere un adeguato isolamento. In caso contrario, potrebbe esservi la formazione di condensa e la caduta di gocce.
- Durante l'installazione del foro di ingresso dell'aria fresca, assicurarsi di rimuovere l'isolante \textcircled{I} incollato all'unità interna.
- Quando l'aria esterna viene immessa direttamente attraverso l'unità principale, il volume dell'aria di ingresso dovrebbe essere il 5% o meno di quello dell'aria dell'unità interna.
- Per immettere aria esterna, servono una ventola nel condotto e un filtro antipolvere per impedire la penetrazione di polvere e altre particelle. Per i dettagli, vedere "Volume ingresso aria fresca & e caratteristiche di pressione statica" nel LIBRO DEI DATI serie P.
- Quando viene immessa aria esterna nell'unità principale, il funzionamento può essere più rumoroso.

- | | |
|--|--|
| \textcircled{A} Foro del condotto di diramazione | \textcircled{P} Foro predisposto $\varnothing 150$ |
| \textcircled{B} Unità principale | \textcircled{Q} Passo del foro sbavato $\varnothing 175$ |
| \textcircled{C} Foro dell'ingresso dell'aria fresca | \textcircled{R} Schema del foro dell'ingresso dell'aria fresca |
| \textcircled{D} Tubo di drenaggio | \textcircled{S} Viti autofilettanti da 3-4x10 |
| \textcircled{E} Tubo del refrigerante | \textcircled{T} Passo del foro sbavato $\varnothing 125$ |
| \textcircled{F} Schema del foro del condotto di diramazione | \textcircled{U} Foro predisposto $\varnothing 100$ |
| \textcircled{G} Viti autofilettanti da 14-4x10 | \textcircled{V} Soffitto |
| \textcircled{H} Utilizzare inserti in grado di sostenere un peso compreso fra 100 e 150 kg (di fornitura locale) | \textcircled{W} Figura dettagliata della rimozione dell'isolante |
| \textcircled{I} Bulloni di sospensione M10 (3/8") (di fornitura locale) | \textcircled{X} Isolamento |
| \textcircled{J} Tondi d'acciaio per cemento armato | |

3.5. Sospensione dell'unità su strutture diverse (Definizione delle caratteristiche delle varie strutture) (Fig. 3-5)

Le operazioni di sospensione dell'unità variano in funzione delle caratteristiche dell'edificio. È opportuno consultare gli impresari od i decoratori per ottenere le informazioni dettagliate sulla costruzione.

- (1) Cautela da adottare nell'esecuzione delle operazioni di sospensione al soffitto: Il soffitto deve rimanere completamente orizzontale e la sua base di appoggio (intelaiatura: assi di legno e supporti degli assi) deve essere rinforzata in modo da impedire allo stesso di vibrare.
- (2) Tagliare e rimuovere la base del soffitto.
- (3) Rinforzare le estremità della base del soffitto dove questo è stato tagliato, ed aggiungere un rinforzo per assicurare le estremità delle assi.
- (4) Per installare un'unità interna su un soffitto inclinato, attaccare un puntello fra il soffitto e la griglia, in modo che l'unità venga installata orizzontalmente.

- $\textcircled{1}$ Per strutture di legno
 - Utilizzare come rinforzi dei tiranti (per le abitazioni ad un solo piano) o delle travi su due piani (per le abitazioni a due piani).
 - Le travi di legno per sospendere l'unità devono essere solide e presentare una sezione trasversale di almeno 6 cm se sono disposte ad intervalli massimi di 90 cm, ed una sezione di almeno 9 cm se sono disposte ad intervalli massimi di 180 cm. La specifica dei bulloni di sospensione deve essere di $\varnothing 10$ (3/8"). (I bulloni non sono forniti assieme all'unità.)

- $\textcircled{2}$ Strutture in cemento armato

Fissare i bulloni di sospensione facendo ricorso ai metodi visti, oppure utilizzare staffe di acciaio o di legno. Per installare i bulloni di sospensione:

3.6. Procedure per sospendere l'unità (Fig. 3-6)

Sospendere l'unità principale come indicato nello schema. Le cifre indicate in parentesi rappresentano le dimensioni nel caso si installi una cassetta multifunzionale opzionale.

1. In primo luogo, disporre le varie parti sui bulloni di sospensione seguendo quest'ordine:
 - rondelle (con materiale isolante), rondelle (senza materiale isolante) e dadi (doppi).
 - Inserire la rondella con il materiale isolante rivolto verso il basso.
 - Se vengono utilizzate delle rondelle superiori per sospendere l'unità, le rondelle inferiori (con il materiale isolante) ed i dadi (doppi) devono essere inseriti in un secondo tempo.
2. Sollevare l'unità a livello dei bulloni di sospensione in modo da poter inserire la piastra di montaggio fra le rondelle. Serrare quindi saldamente.
3. Se l'unità principale non può essere allineata contro il foro di montaggio sul soffitto, è possibile rimediare a questo inconveniente tramite un'apertura presente sulla piastra di montaggio.
 - Per evitare danneggiamenti, accertarsi che per la procedura A sia rispettato l'intervallo di valori 17-22 mm. (Fig. 3-7)

⚠ Cautela:

Utilizzare il lato superiore della scatola come protezione, per impedire che polvere o detriti entrino nell'unità prima dell'installazione del pannello o durante l'applicazione di materiali al soffitto.

3.7. Conferma della posizione dell'unità principale e serraggio dei bulloni di sospensione (Fig. 3-8)

- Usando l'indicatore attaccato alla griglia, assicurarsi che la base dell'unità principale sia correttamente allineata con l'apertura a soffitto. Occorre esserne assolutamente certi, in modo da evitare la formazione di gocce di condensa a seguito di fuoriuscite d'aria, etc.
- Accertarsi che l'unità principale sia perfettamente orizzontale, usando una livella od un tubo di vinile riempito d'acqua.
- Dopo la verifica della posizione dell'unità principale, serrare saldamente i dadi dei bulloni di sospensione per bloccare l'unità principale.
- Il modello per l'installazione (parte superiore del pacchetto) può essere usato come schermo protettivo per impedire l'ingresso di polvere nell'unità principale, quando le griglie sono state rimosse per un certo periodo di tempo o nel caso in cui i materiali del soffitto debbano essere ricoperti, una volta conclusa l'installazione dell'unità.
- Per quanto riguarda i dettagli relativi al montaggio, fare riferimento alle istruzioni contenute nella sezione relativa al modello. (parte superiore del pacchetto)

4. Installazione della tubazione del refrigerante

4.1. Precauzioni

Per i dispositivi che utilizzano il refrigerante R32/R410A

- Come olio di refrigerazione da applicare alle sezioni svasate, usare olio di alchilbenzolo (in quantità limitate).
- Per tutti i tubi continui in rame e lega di rame, per collegare i tubi di refrigerazione, utilizzare rame fosforoso C1220. Usare i tubi del refrigerante dello spessore specificato nella tabella in basso. Accertarsi che le parti interne dei tubi siano pulite e che non contengano agenti contaminanti dannosi, tra cui composti solfurei, ossidanti, detriti o polvere.

⚠ Avvertenza:

Quando il condizionatore viene installato o spostato, oppure sottoposto a manutenzione, per caricare i tubi del refrigerante utilizzare esclusivamente il refrigerante specificato e indicato sull'unità esterna. Non mescolarlo con nessun altro tipo di refrigerante e non consentire all'aria di restare all'interno dei tubi. Qualora dell'aria si mescoli con il refrigerante, potrebbe far innalzare in modo anomalo la pressione nel tubo del refrigerante, il che potrebbe provocare un'esplosione o altri pericoli.

L'uso di refrigeranti diversi da quello specificato per il sistema provocherà guasti meccanici, malfunzionamenti del sistema o la rottura dell'unità. Nel peggiore dei casi, questo potrebbe impedire seriamente di garantire la messa in sicurezza del prodotto.

ø6,35 Spessore 0,8 mm	ø9,52 Spessore 0,8 mm
ø12,7 Spessore 0,8 mm	ø15,88 Spessore 1,0 mm

- Non utilizzare tubi più sottili di quanto specificato in precedenza.

4.2. Collegamento dei tubi (Fig. 4-1)

- Se vengono utilizzati dei tubi di rame disponibili in commercio, avvolgere del materiale di isolamento, disponibile in commercio, attorno ai tubi del liquido e del gas (resistente alla temperatura di 100 °C o superiore, spessore di almeno 12 mm).
- Stendere uno strato sottile di oliorefrigerante sul tubo e collegare la superficie di appoggio prima di serrare il dado a cartella.
- Serrare i raccordi dei tubi usando due chiavi.
- Isolare i raccordi dell'unità interna utilizzando il materiale isolante fornito per la tubazione del refrigerante. Effettuare l'operazione di isolamento con cura.
- Dopo aver collegato la tubazione refrigerante alla sezione interna, accertarsi di effettuare la prova di tenuta delle connessioni della tubazione stessa con azoto, per ricercare eventuali perdite. (Verificare che non vi siano perdite di refrigerante dalla tubazione refrigerante verso la sezione interna).
- Usare il dado svasato installato su questa unità interna.
- Se si ricollega la tubazione del refrigerante dopo averla scollegata, ricostruire la parte svasata del tubo.

ⓑ Coppia di serraggio del dado a cartella

O.D. del tubo di rame (mm)	O.D. del dado a cartella (mm)	Coppia di serraggio (N·m)
ø6,35	17	14 - 18
ø6,35	22	34 - 42
ø9,52	22	34 - 42
ø12,7	26	49 - 61
ø15,88	29	68 - 82

Ⓒ Applicare olio adatto alle macchine di refrigerazione sull'intera superficie di alloggiamento svasata.

Ⓓ Utilizzare dadi a cartella che corrispondano alle dimensioni dei tubi dell'unità esterna.

Dimensioni tubi disponibili

	SM71-140
Lato liquidi	ø9,52 O
Lato gas	ø15,88 O

O : Attacco dado a cartella dello scambiatore di calore.

⚠ Avvertenza:

- Fare attenzione al dado svasato provvisorio! (pressione interna elevata!)
Togliere il dado svasato come segue:
 1. Allentare il dado fino a quando non si avverte un sibilo.
 2. Non togliere il dado fino a quando il gas non è fuoriuscito del tutto (ad es. non si avverte più il sibilo).
 3. Verificare che non vi sia più gas, quindi togliere il dado.
- Al momento dell'installazione dell'unità, collegare saldamente i tubi del refrigerante prima di azionare il compressore.

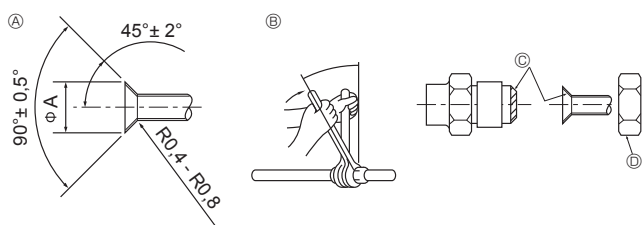


Fig. 4-1

Ⓐ Dimensioni di taglio per raccordo a cartella

O.D. del tubo di rame (mm)	Dimensioni cartella dimensioni ØA (mm)
ø6,35	8,7 - 9,1
ø9,52	12,8 - 13,2
ø12,7	16,2 - 16,6
ø15,88	19,3 - 19,7

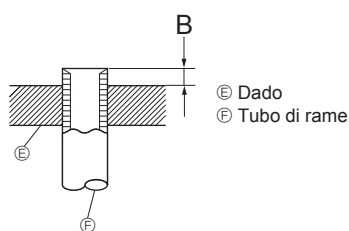


Fig. 4-2

O.D. del tubo di rame (mm)	B (mm)
	Attrezzo per raccordi a cartella per R32/R410A Tipo a innesto
ø6,35 (1/4")	0 - 0,5
ø9,52 (3/8")	0 - 0,5
ø12,7 (1/2")	0 - 0,5
ø15,88 (5/8")	0 - 0,5

4. Installazione della tubazione del refrigerante

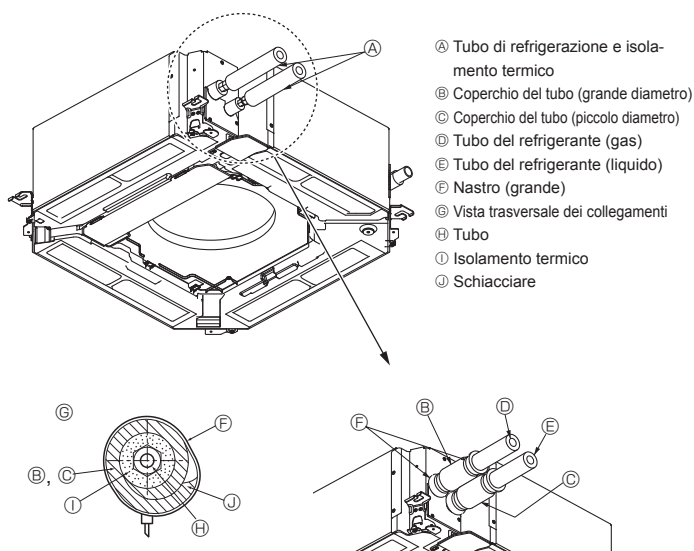


Fig. 4-3

Isolamento dal calore per i tubi di raffreddamento (Fig. 4-3)

- 1 Avvolgere il tubo del gas con la protezione grande in dotazione, accertandosi che l'estremità della protezione sia in contatto con il lato dell'unità.
- 2 Avvolgere il tubo del liquido con la protezione piccola in dotazione, accertandosi che l'estremità della protezione sia in contatto con il lato dell'unità.
- 3 Fermare entrambe le estremità di ogni protezione con i nastri in dotazione (attaccare i nastri a 20 mm dalle estremità della protezione dei tubi).

4.3. Per combinazione doppia

Consultare il manuale d'installazione dell'unità esterna.

Alcune unità esterne non possono essere usate in un sistema doppio simultaneo.

5. Installazione della tubazione di drenaggio

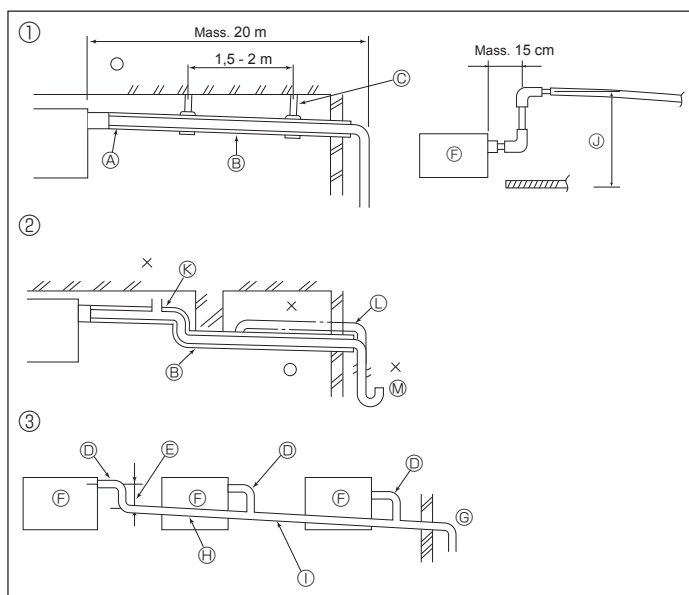


Fig. 5-1

5.1. Installazione della tubazione di drenaggio (Fig. 5-1)

- Le parti interne del tubo di drenaggio devono essere ricoperte di materiale di isolamento in schiuma di polietilene (gravità specifica di 0,03, spessore di almeno 9 mm).
 - Usare VP25 (tubi in PVC O.D. $\varnothing 32$) per il drenaggio e far sì che questi presentino un'inclinazione di almeno 1 per cento.
 - Accertarsi di collegare i giunti della tubazione usando un adesivo in PVC.
 - Fare riferimento alla figura per eseguire la tubazione di drenaggio.
 - Usare il tubo flessibile incluso per modificare la direzione di estrazione.
 - Quando si lavora alle tubazioni di drenaggio, assicurarsi di usare dei supporti di metallo.
- Se sul maniccotto di drenaggio viene applicato un peso che danneggia il tubo o ne causa il distacco, può aversi come conseguenza una perdita d'acqua.

- | | |
|---|--|
| ① Tubazione corretta | Ⓞ Utilizzare tubi di grandi dimensioni in presenza di tubazioni raggruppate. |
| ② Tubazione non corretta | Ⓢ Inclinazione (almeno 1 per cento) |
| ③ Tubazioni raggruppate | Ⓛ Tubo in PVC, O.D. $\varnothing 38$ per tubazioni raggruppate (materiale isolante di almeno 9 mm) |
| Ⓐ Materiale isolante (almeno 9 mm) | Ⓜ Fino a 85 cm |
| Ⓑ Inclinazione (almeno 1%) | Ⓝ Tubo in PVC, O.D. $\varnothing 32$ |
| Ⓒ Supporto in metallo | Ⓚ Spurgo dell'aria |
| Ⓓ Tubo in PVC, O.D. $\varnothing 32$ | Ⓛ Sollevato |
| Ⓔ Deve essere il più grande possibile (circa 10 cm) | Ⓜ Sifone intercettatore degli odori |
| Ⓕ Unità principale | |

1. Collegare il maniccotto di drenaggio (fornito con l'unità) all'apertura di drenaggio. (Fig. 5-2)

(Attaccare il tubo con adesivo PVC e fissarlo quindi con un nastro.)

2. Installare un tubo di drenaggio di fornitura locale (tubo in PVC, O.D. $\varnothing 32$).

(Attaccare il tubo con adesivo PVC e fissarlo quindi con un nastro.)

3. Controllare che il drenaggio si svolga correttamente.

4. Isolare l'apertura di drenaggio e la presa con materiale isolante e fissare quindi il materiale con del nastro. (Sia il materiale isolante che il nastro sono forniti con l'unità.)

5. Isolare sia il tubo flessibile che il tubo di drenaggio. (Tubo in PVC, O.D. $\varnothing 32$)

- | | |
|---------------------------------------|---|
| Ⓐ Unità principale | Ⓞ Tubo di drenaggio (Tubo in PVC, O.D. $\varnothing 32$) |
| Ⓑ Materiale isolante | Ⓢ Materiale isolante (di fornitura locale) |
| Ⓒ Nastro (grande) | Ⓛ Tubo in PVC trasparente |
| Ⓓ Apertura di drenaggio (trasparente) | Ⓜ Tubo in PVC, O.D. $\varnothing 32$ (Inclinazione di almeno 1/100) |
| Ⓔ Margine di inserimento | Ⓝ Maniccotto di drenaggio |
| Ⓕ Corrispondenza | |

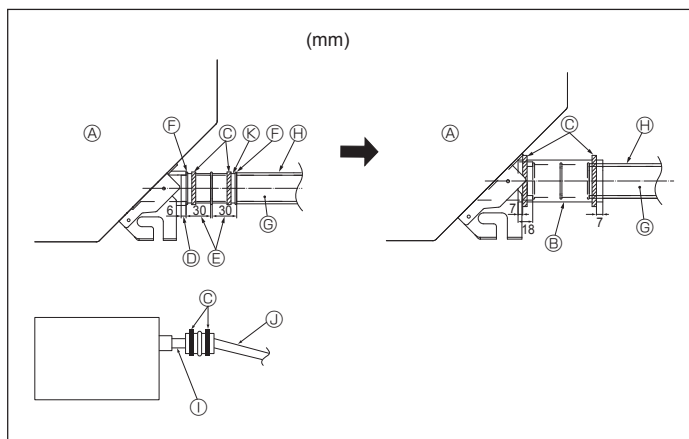


Fig. 5-2

6. Collegamenti elettrici

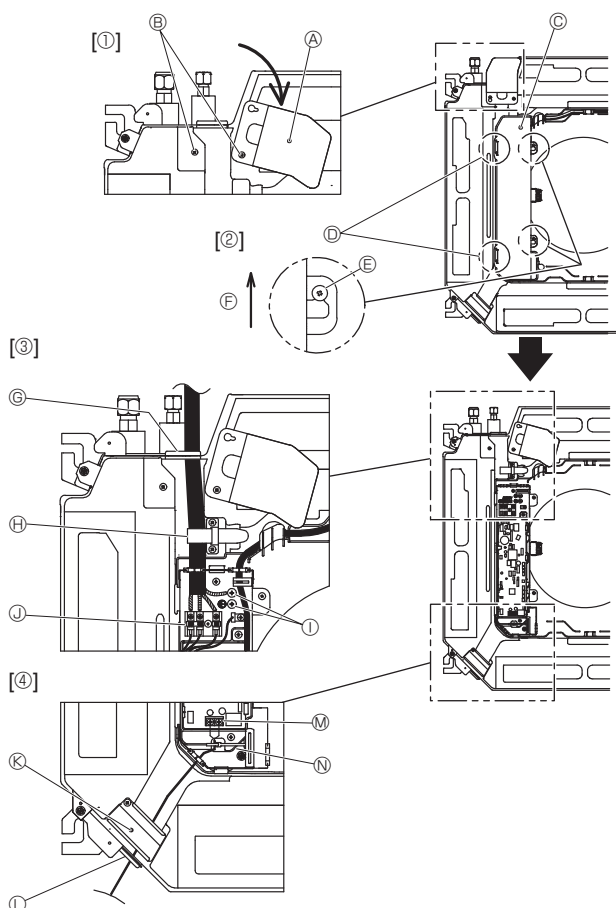


Fig. 6-1

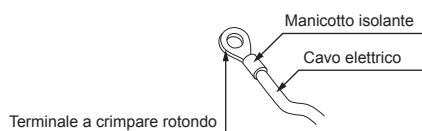


Fig. 6-2

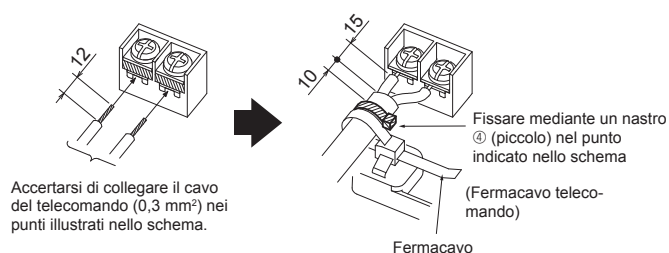


Fig. 6-3

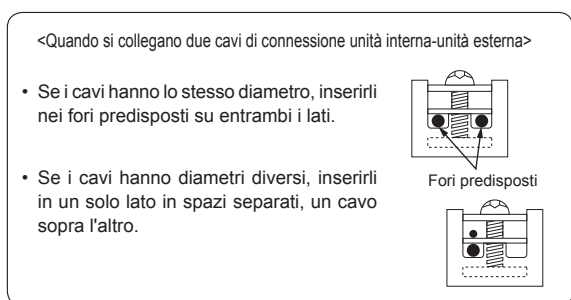


Fig. 6-5

6.1. Sezione interna (Fig. 6-1)

1. Allentare le 2 viti che assicurano il pannello di servizio dei cablaggi elettrici, quindi ruotare il pannello. [Fig. 6-1 ①]
 2. Allentare le 2 viti che assicurano il coperchio della scatola elettrica, quindi far scorrere il coperchio. [Fig. 6-1 ②]
 3. Far passare il cavo di alimentazione, il cavo di connessione dell'unità interna/esterna e il cavo della messa a terra attraverso gli ingressi indicati nello schema. [Fig. 6-1 ③]
Inserire la porzione di cavo con guaina e il cavo di collegamento interno/esterno nella scatola elettrica.
Usare terminali a crimpare rotondi per il terminale di collegamento interno-esterno e il kit morsettiera di alimentazione opzionale. [Fig. 6-2]
Se non è possibile usare terminali a crimpare rotondi, seguire la procedura riportata nelle Fig. 6-3~6-6.
Fare riferimento ai paragrafi 6.1.1. e 6.1.2. per il collegamento.
 4. Far passare e collegare il cavo di controllo remoto attraverso gli ingressi indicati nello schema. [Fig. 6-1 ④, Fig. 6-3]
Fare riferimento ai paragrafi 6.1.1. e 6.1.2. per il collegamento.
- Evitare che le viti dei terminali siano allentate.

Coppia di serraggio della vite

	Coppia di serraggio (N·m)
Morsettiera telecomando	1,2 ± 0,1
Morsettiera di connessione unità interna-unità esterna	1,6 ± 0,1
Cavo di messa a terra	1,6 ± 0,1

- Lasciare un po' di cavo in più così che la scatola elettrica si possa sospendere al di sotto dell'unità durante la manutenzione (fra 50 e 100 mm circa).

- ① Pannello di servizio per i cablaggi elettrici
- ② Vite
- ③ Coperchio scatola elettrica
- ④ Gancio provvisorio per il coperchio della scatola elettrica
- ⑤ Vite
- ⑥ Direzione di scorrimento del coperchio della scatola elettrica
- ⑦ Ingresso per il cavo di alimentazione e il cavo di connessione dell'unità interna/esterna
- ⑧ Fissare con il morsetto.
- ⑨ Cavo di messa a terra
- ⑩ Terminale di collegamento dell'unità interna/esterna
- ⑪ Pannello di servizio per i cablaggi elettrici (telecomando)
- ⑫ Ingresso per telecomando con filo
- ⑬ Terminale telecomando con filo
- ⑭ Fissare con il morsetto.

⚠ Cautela:

- Il cablaggio del cavo del telecomando dovrà essere mantenuto ad una certa distanza (almeno 5 cm) dal cablaggio dell'alimentazione per evitare che venga influenzato dal rumore elettrico generato dalla corrente.

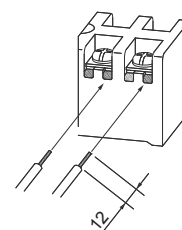


Fig. 6-4

- La scanalatura a U si apre se si spinge la testa della vite dopo aver allentato la vite.

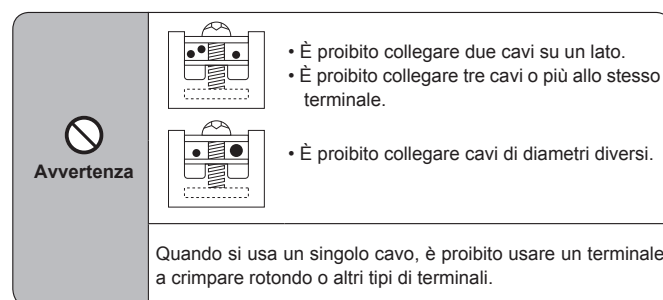


Fig. 6-6

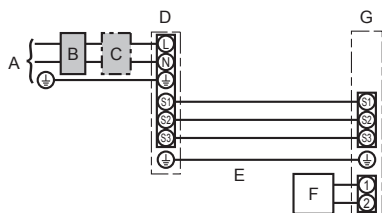
6. Collegamenti elettrici

6.1.1. Alimentazione dell'unità interna fornita dall'unità esterna

Sono disponibili gli schemi di collegamento seguenti.

Gli schemi di alimentazione dell'unità esterna variano in funzione dei modelli.

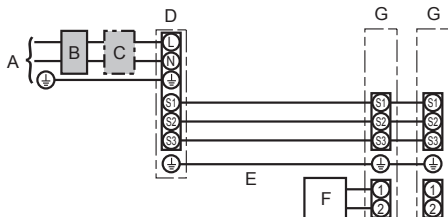
Sistema 1:1



- A Alimentazione dell'unità esterna
- B Interruttore di messa a terra
- C Interruttore del circuito di cablaggio o sezionatore
- D Unità esterna
- E Cavi di collegamento unità interna/unità esterna
- F Telecomando
- G Unità interna

* Apporre un'etichetta A, fornita con i manuali, accanto a ciascuno schema di cablaggio delle unità interne ed esterne.

Sistema simultaneo doppio



- A Alimentazione dell'unità esterna
- B Interruttore di messa a terra
- C Interruttore del circuito di cablaggio o sezionatore
- D Unità esterna
- E Cavi di collegamento unità interna/unità esterna
- F Telecomando
- G Unità interna

* Apporre un'etichetta A, fornita con i manuali, accanto a ciascuno schema di cablaggio delle unità interne ed esterne.

Nota:
Alcune unità non possono essere usate in un sistema doppio simultaneo. Per i dettagli, fare riferimento al manuale di installazione dell'unità esterna.

Modello unità interna		PLA
Cablaggi N. filo/dimensione (mm ²)	Sezione interna-Sezione esterna *1	3 × 1,5 (Polar)
	Messa a terra Sezione interna-Sezione esterna *1	1 × Min. 1,5
	Messa a terra Sezione interna	1 × Min. 1,5
	Collegamento comando a distanza/sezione interna *2	2 × 0,3 (Senza polarità)
Capacità circuito	Sezione interna (Riscaldatore) L-N *3	—
	Sezione interna-Sezione esterna S1-S2 *3	230 V CA
	Sezione interna-Sezione esterna S2-S3 *3	24 V CC
	Collegamento comando a distanza/sezione interna *3	12 V CC

*1. <Per l'applicazione con unità esterna 71-140>

Mass. 45 m

Se si utilizzano cavi da 2,5 mm², mass. 50 m

Se si utilizzano cavi da 2,5 mm² ed S3 distinti, mass. 80 m

*2. Mass. 500 m

(Se si utilizzano due telecomandi, la lunghezza massima dei cablaggi per i cavi del telecomando è di 200 m).

*3. Questi valori NON vengono sempre applicati alla messa a terra.

La differenza di potenziale tra il terminale S3 e il terminale S2 è 24 V CC. Il collegamento tra i terminali S3 e S1 non è isolato elettricamente dal trasformatore o da altri dispositivi.

- Note:**
1. I collegamenti elettrici devono rispettare le pertinenti norme locali e nazionali.
 2. I cavi di alimentazione e di collegamento della sezione interna/esterna non devono essere più leggeri dei cavi flessibili rivestiti di policloroprene (modello 60245 IEC 57).
 3. Installare un cavo di messa a terra più lungo degli altri cavi.
 4. I cavi di connessione dell'unità interna ed esterna hanno delle polarità. Per un collegamento corretto, assicurarsi che il numero del terminale (S1, S2, S3) corrisponda.
 5. Il cablaggio del cavo del telecomando dovrà essere mantenuto ad una certa distanza (almeno 5 cm) dal cablaggio dell'alimentazione per evitare che venga influenzato dal rumore elettrico generato dalla corrente.

⚠ Avvertenza:

Non giuntare mai il cavo dell'alimentazione o il cavo di collegamento interno-esterno, diversamente ciò potrebbe essere causa di fumo, incendio o mancato collegamento.

6. Collegamenti elettrici

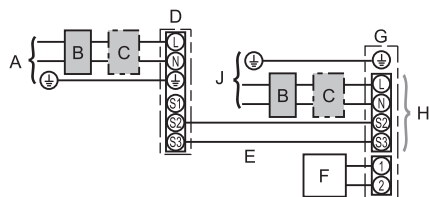
6.1.2. Alimentazioni separate per unità interne/unità esterna (solo per applicazione PUHZ)

Sono disponibili gli schemi di collegamento seguenti.

Gli schemi di alimentazione dell'unità esterna variano in funzione dei modelli.

Sistema 1:1

* Il kit morsettieria di alimentazione unità interne è richiesto.

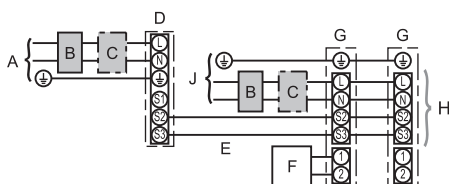


- A Alimentazione dell'unità esterna
- B Interruttore di messa a terra
- C Interruttore del circuito di cablaggio o sezionatore
- D Unità esterna
- E Cavi di collegamento unità interna/unità esterna
- F Telecomando
- G Unità interna
- H Opzione
- J Alimentazione dell'unità interna

* Apporre un'etichetta B, fornita con i manuali, accanto a ciascuno schema di cablaggio delle unità interne ed esterne.

Sistema simultaneo doppio

* I kit morsettieria di alimentazione unità interne sono richiesti.



- A Alimentazione dell'unità esterna
- B Interruttore di messa a terra
- C Interruttore del circuito di cablaggio o sezionatore
- D Unità esterna
- E Cavi di collegamento unità interna/unità esterna
- F Telecomando
- G Unità interna
- H Opzione
- J Alimentazione dell'unità interna

* Apporre un'etichetta B, fornita con i manuali, accanto a ciascuno schema di cablaggio delle unità interne ed esterne.

Nota:

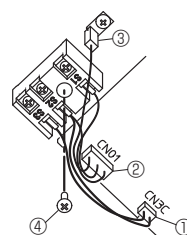
Alcune unità non possono essere usate in un sistema doppio simultaneo. Per i dettagli, fare riferimento al manuale di installazione dell'unità esterna.

Se le unità interne e l'unità esterna dispongono di dispositivi di alimentazione separati, fare riferimento alla tabella in basso. Se si utilizza il kit morsettieria di alimentazione unità interne, modificare il cablaggio della scatola elettrica delle unità interne, come illustrato nella figura a destra, e le impostazioni del commutatore del quadro di comando dell'unità esterna.

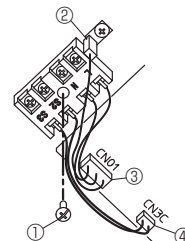
Kit morsettieria di alimentazione unità interne (opzione)	Richiesto								
Modifica collegamento connettore scatola elettrica unità interne	Richiesto								
Etichetta apposta accanto a ciascuno schema elettrico delle unità interne e dell'unità esterna	Richiesto								
Impostazioni commutatore unità esterna (solo quando si utilizzano dispositivi di alimentazione separati per le unità interne e l'unità esterna)	<table border="1" style="margin-left: auto; margin-right: auto;"> <tr> <td>ON</td> <td></td> <td></td> <td>3</td> </tr> <tr> <td>OFF</td> <td>1</td> <td>2</td> <td></td> </tr> </table> (SW8) Impostare l'SW8-3 su ON.	ON			3	OFF	1	2	
ON			3						
OFF	1	2							

* Vi sono tre tipi di etichetta (etichetta A, B e C). Apporre sulle unità le etichette corrispondenti al metodo seguito per il cablaggio.

<Sostituzione della morsettieria dell'unità interna>



- ① Scollegare il connettore CN3C (blu) dalla scheda di comando interna.
- ② Scollegare il connettore CN01 (nero) dalla scheda di comando interna.
- ③ Scollegare il terminale a linguetta.
- ④ Rimuovere le vite dalla morsettieria.



- Installare il kit morsettieria di alimentazione opzionale. Per i dettagli, fare riferimento al manuale in dotazione col kit morsettieria di alimentazione opzionale.
- ① Fissare la morsettieria con la vite.
 - ② Inserire il terminale a linguetta.
 - ③ Collegare il connettore CN01 (nero) alla scheda di comando interna.
 - ④ Collegare il connettore CN3C (blu) alla scheda di comando interna.

Modello unità interna		PLA
Alimentazione unità interna		~N (Monofase), 50 Hz, 230 V
Capacità di ingresso unità interna		
Interruttore principale (Interruttore di rete)	*1	16 A
Cablaggi N. filo o dimensione (mm ²)	Alimentazione unità interna & Messa a terra alimentazione unità interna	3 × Min. 1,5
	Sezione interna-Sezione esterna	*2 2 × Min. 0,3
	Messa a terra Sezione interna-Sezione esterna	—
	Collegamento comando a distanza/sezione interna	*3 2 × 0,3 (Senza polarità)
Capacità circuito	Sezione interna L-N	*4 230 V CA
	Sezione interna-Sezione esterna S1-S2	*4 —
	Sezione interna-Sezione esterna S2-S3	*4 24 V CC
	Collegamento comando a distanza/sezione interna	*4 12 V CC

*1. Utilizzare un interruttore automatico del circuito di dispersione a terra (NV) con una separazione dei contatti di almeno 3,0 mm in ogni polo.

L'interruttore ha lo scopo di garantire lo scollegamento di tutti i conduttori di alimentazione attivi.

*2. Mass. 120 m

*3. Mass. 500 m

(Se si utilizzano due telecomandi, la lunghezza massima dei cablaggi per i cavi del telecomando è di 200 m).

*4. Questi valori NON vengono sempre applicati alla messa a terra.

- Note:**
1. I collegamenti elettrici devono rispettare le pertinenti norme locali e nazionali.
 2. I cavi di alimentazione e di collegamento della sezione interna/esterna non devono essere più leggeri dei cavi flessibili rivestiti di policloroprene (modello 60245 IEC 57).
 3. Installare un cavo di messa a terra più lungo degli altri cavi.
 4. Il cablaggio del cavo del telecomando dovrà essere mantenuto ad una certa distanza (almeno 5 cm) dal cablaggio dell'alimentazione per evitare che venga influenzato dal rumore elettrico generato dalla corrente.

⚠ Avvertenza:

Non giuntare mai il cavo dell'alimentazione o il cavo di collegamento interno-esterno, diversamente ciò potrebbe essere causa di fumo, incendio o mancato collegamento.

6. Collegamenti elettrici

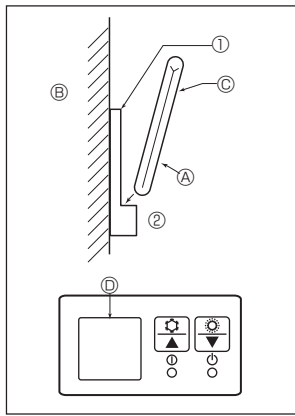


Fig. 6-7

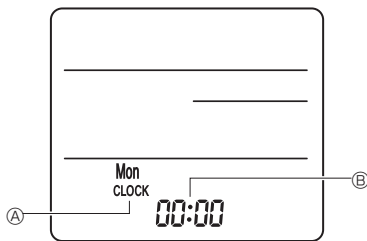


Fig. 6-8

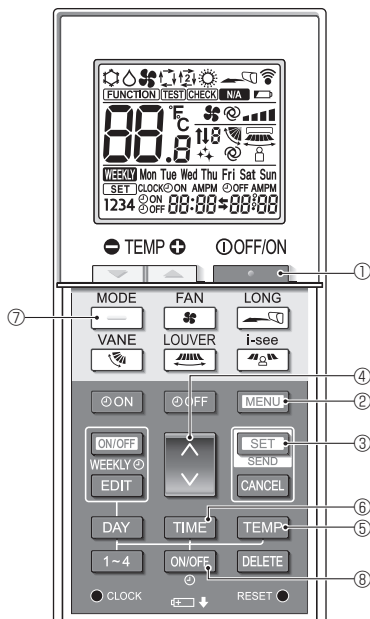


Fig. 6-9

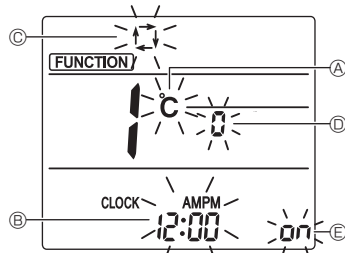


Fig. 6-10

6.2. Comando a distanza

6.2.1. Per il comando a distanza con filo

1) Impostazione di due telecomandi

Se sono collegati due o più telecomandi, impostarne uno come Principale e l'altro come Secondario. Per le procedure di impostazione, vedere la sezione "Selezione delle funzioni" nel manuale di istruzioni.

6.2.2. Per telecomando wireless

1) Area di installazione

- Area in cui il telecomando non sia esposto alla luce solare diretta.
- Area in cui non vi siano fonti di calore nelle vicinanze.
- Area in cui il telecomando non sia esposto a correnti fredde (o calde).
- Area in cui il telecomando possa essere usato facilmente.
- Area in cui il telecomando sia fuori dalla portata dei bambini.

2) Metodo di installazione (Fig. 6-7)

- 1) Fissare il supporto del telecomando nel punto desiderato usando 2 viti autofilettanti.
- 2) Inserire l'estremità inferiore del telecomando nel supporto.
 - A Telecomando B Parete C Pannello display D Ricevitore
- Il segnale può raggiungere una distanza di circa 7 metri (in linea retta) con un'angolazione di 45 gradi su entrambi i lati destro e sinistro della linea centrale del ricevitore.

3) Impostazione (Impostazione orologio) (Fig. 6-8)

- 1) Inserire le batterie e premere il pulsante **CLOCK** con qualcosa di appuntito. [CLOCK] A e [] B lampeggiano.
- 2) Premere il pulsante **RESET** con qualcosa di appuntito.
- 3) Premere il pulsante **▲** per regolare l'ora. Premere il pulsante **DAY** per impostare il Giorno.
- 4) Premere il pulsante **CLOCK** con qualcosa di appuntito all'estremità. [CLOCK] e [] illuminati.

4) Impostazione iniziale

È possibile effettuare le seguenti impostazioni nel modo di impostazione iniziale.

Voce	Impostazione	Fig. 6-10
Unità di temperatura	°C/°F	A
Visualizzazione ora	Formato 12 ore/formato 24 ore	B
Modo AUTO	Singolo set point/Doppio set point	C
N. di coppia	0-3	D
Retroilluminazione	On/Off	E

4-1. Passaggio al modo di impostazione iniziale

1. Premere il pulsante **▲** 1 per arrestare il condizionatore d'aria.
2. Premere il pulsante **MENU** 2. Verrà visualizzata la schermata di impostazione Funzione e lampeggerà il n. di funzione A. (Fig. 6-9) Premere il pulsante **▼** 4 per modificare il n. di funzione
3. Verificare che il n. di funzione "1" sia visualizzato e poi premere il pulsante **SET** 3. Verrà visualizzata la schermata Impostazione dello schermo. (Fig. 6-10)

4-2. Modifica dell'unità di temperatura A

- Premere il pulsante **TEMP** 5. Ad ogni pressione del pulsante **TEMP** 5, l'impostazione cambia da **°C** a **°F**.
°C: La temperatura viene visualizzata in gradi Celsius.
°F: La temperatura viene visualizzata in gradi Fahrenheit.

4-3. Modifica della visualizzazione dell'ora B

- Premere il pulsante **TIME** 6. Ad ogni pressione del pulsante **TIME** 6, l'impostazione cambia da **12:00^{AMPM}** a **24:00^{AMPM}**.
12:00^{AMPM}: L'ora viene visualizzata nel formato a 12 ore.
24:00^{AMPM}: L'ora viene visualizzata nel formato a 24 ore.

4-4. Modifica del modo AUTO C

- Premere il pulsante **—** 7. Ad ogni pressione del pulsante **—** 7, l'impostazione cambia da **12** a **12i**.
12: Il modo AUTO funziona come normale modo automatico.
12i: Il modo AUTO funziona utilizzando doppi set point.

4-5. Modifica del n. di coppia D

- Premere il pulsante **▲** 4. Ad ogni pressione del pulsante **▲** 4, viene modificato il n. di coppia 0-3.

Numero di coppia del telecomando wireless	Scheda a circuiti stampati dell'unità interna
0	Impostazione di fabbrica
1	Interruzione J41
2	Interruzione J42
3	Interruzione J41, J42

4-6. Modifica dell'impostazione di retroilluminazione E

- Premere il pulsante **ON/OFF** 8. Ad ogni pressione del pulsante **ON/OFF** 8, l'impostazione cambia da **on** a **FF**.
on: La retroilluminazione si accende alla pressione di un pulsante.
FF: La retroilluminazione non si accende alla pressione di un pulsante.

6. Collegamenti elettrici

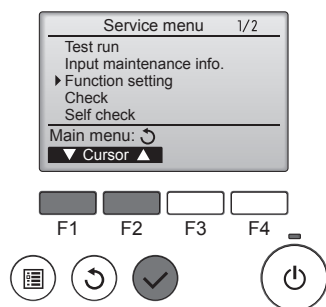


Fig. 6-11

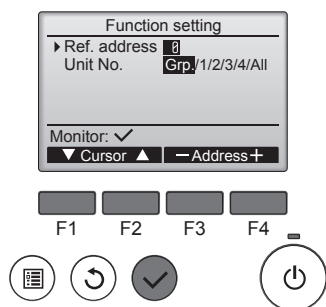


Fig. 6-12

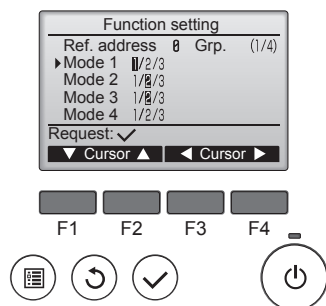


Fig. 6-13

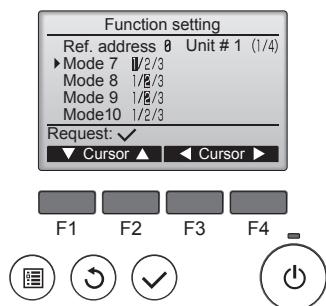


Fig. 6-14

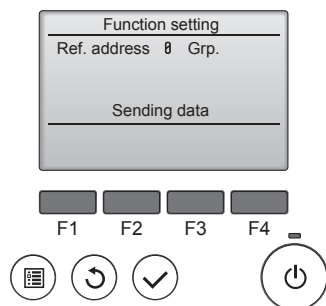


Fig. 6-15

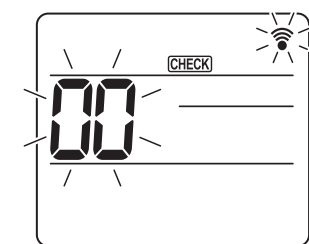


Fig. 6-16

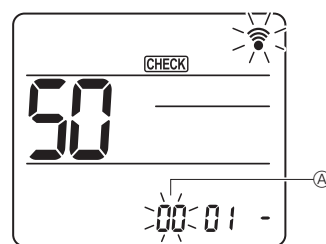


Fig. 6-17

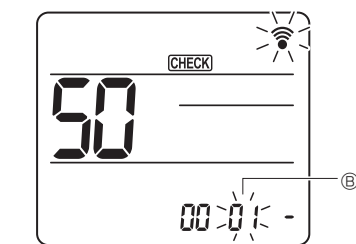


Fig. 6-18

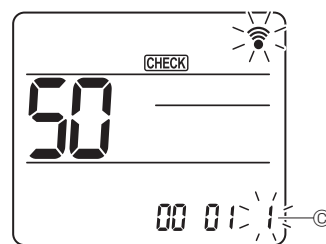


Fig. 6-19

6.3. Impostazioni di funzione

6.3.1. Tramite telecomando con filo

- ① (Fig. 6-11)
 - Selezionare "Service" (Servizio) da "Menu princ", quindi premere il pulsante [SCEGLI].
 - Selezionare "Function settings" (Impostazione funzioni) utilizzando il pulsante [F1] o [F2], quindi premere il pulsante [SCEGLI].

- ② (Fig. 6-12)
 - Impostare gli indirizzi delle unità di climatizzazione interne e i numeri di unità con i pulsanti da [F1] a [F4], quindi premere il pulsante [SCEGLI] per confermare l'impostazione corrente.

<Controllo del No. unità interna>

Quando viene premuto il pulsante [SCEGLI], l'unità interna target inizierà a funzionare in ventilazione. Se l'unità è comune, oppure quando funzionano tutte le unità, inizieranno a funzionare in ventilazione tutte le unità interne corrispondenti all'indirizzo refrigerante selezionato.

- ③ (Fig. 6-13)
 - Al termine della raccolta dei dati dalle unità interne, le impostazioni correnti appaiono illuminate. Le voci non illuminate indicano che le impostazioni delle funzioni non sono configurate. L'aspetto della schermata varia a seconda dell'impostazione "No. unità".

- ④ (Fig. 6-14)
 - Utilizzare il pulsante [F1] o [F2] per spostare il cursore e selezionare il numero di modo, quindi modificare il numero impostato con il pulsante [F3] o [F4].

- ⑤ (Fig. 6-15)
 - Al termine delle impostazioni, premere il pulsante [SCEGLI] per inviare i dati di configurazione dal comando a distanza alle unità interne.
 - Al termine della trasmissione, viene nuovamente visualizzata la schermata Impostazione funzioni.

6.3.2. Tramite il telecomando wireless

- ① Passaggio alla modalità di selezione della funzione

Premere il pulsante [MENU] per 5 secondi.
(Avviare questa operazione con il display del comando a distanza spento). [CHECK] si illumina e lampeggia "00". (Fig. 6-16)
Premere il pulsante [5] per impostare "50".
Indirizzare il telecomando wireless verso il ricevitore dell'unità interna e premere il pulsante [SET].
- ② Impostazione del numero dell'unità

Premere il pulsante [5] per impostare il numero di unità ①. (Fig. 6-17)
Indirizzare il telecomando wireless verso il ricevitore dell'unità interna e premere il pulsante [SET].
- ③ Selezionare un modo

Premere il pulsante [5] per impostare il Numero di modo ②. (Fig. 6-18)
Indirizzare il telecomando wireless verso il ricevitore dell'unità interna e premere il pulsante [SET].

Numero di impostazione corrente: 1 = 1 bip (1 secondo)
2 = 2 bip (1 secondo l'uno)
3 = 3 bip (1 secondo l'uno)
- ④ Selezione del numero di impostazione

Utilizzare il pulsante [5] per modificare il Numero di impostazione ③. (Fig. 6-19)
Indirizzare il telecomando wireless verso il ricevitore dell'unità interna e premere il pulsante [SET].
- ⑤ Per selezionare più funzioni in modo continuo

Ripetere la selezione di ③ e ④ per modificare le impostazioni di più funzioni in modo continuo.
- ⑥ Completare la selezione della funzione

Indirizzare il telecomando wireless verso il sensore dell'unità interna e premere il pulsante [OFF/ON].

Nota:

Effettuare le impostazioni di cui sopra sulle unità Mr. Slim in base alle necessità.

- Nella Tabella 1 sono riassunte le opzioni di impostazione per ogni numero di modello.
- Ricordarsi di annotare le impostazioni per tutte le funzioni al termine delle operazioni di installazione, nel caso in cui le impostazioni di fabbrica siano state cambiate.

6. Collegamenti elettrici

Tabella delle funzioni (Tabella 1)

Selezionare il numero di unità 00

Modo	Impostazioni	Numero di modo	Numero di impostazione	Impostazione iniziale	Impostazione
Recupero automatico da interruzioni di corrente	Non disponibile	01	1		
	Disponibile *1		2	O *2	
Rilevamento temperatura in interni	Media di funzionamento unità interna	02	1	O	
	Impostato dal comando a distanza dell'unità interna		2		
	Sensore interno del comando a distanza		3		
Collegabilità LOSSNAY	Non supportata	03	1	O	
	Supportata (unità interna priva di presa di ingresso aria esterna)		2		
	Supportata (unità interna dotata di presa di ingresso aria esterna)		3		
Tensione	240 V	04	1		
	220 V, 230 V		2	O	

Selezionare i numeri di unità da 01 a 03 o tutte le unità (AL [comando a distanza con fili] / 07 [comando a distanza senza fili])

Modo	Impostazione	Numero di modo	Numero di impostazione	Impostazione iniziale	Impostazione
Simbolo filtro	100 ore	07	1		
	2500 ore		2	O	
	Nessuna indicazione di simbolo filtro		3		
Velocità ventola	Silenzioso (soffitto basso)	08	1		
	Standard		2	O	
	Limite massimo		3		
Numero di uscite d'aria	4 direzioni	09	1	O	
	3 direzioni		2		
	2 direzioni		3		
Opzioni installate (filtro ad alta efficienza)	Non supportata	10	1	O	
	Supportata		2		
Impostazione lamelle su/giù	Impostazione verso il basso (Impostazione angolo lamelle ③)	11	1		
	Impostazione mediana (Impostazione angolo lamelle ①)		2		
	Impostazione per l'eliminazione del getto (Impostazione angolo lamelle ②)		3	O	
Velocità della ventola quando il termostato di raffreddamento è OFF	Impostazione della velocità della ventola	27	1		
	Stop		2		
	Bassissima		3	O	

*1 Il condizionatore d'aria si avvierà 3 minuti dopo il ritorno della corrente.

*2 L'impostazione iniziale del recupero automatico da interruzioni di corrente dipende dall'unità esterna collegata.

7. Prova di funzionamento

7.1. Operazioni preliminari alla prova di funzionamento

- Dopo aver completato l'installazione, i collegamenti elettrici e le tubazioni delle sezioni interne ed esterne, verificare l'assenza di perdite di refrigerante, allentamenti dei cavi di alimentazione o di comando, errori di polarità e scollegamenti di una fase dell'alimentazione elettrica.
- Controllare, mediante un megaohmmetro da 500 volt, se la resistenza fra i morsetti dell'alimentazione e la massa è di almeno 1,0 MΩ.

► Non eseguire questa prova sui morsetti del cablaggio di controllo (circuito a bassa tensione).

⚠ **Avvertenza:**

Non avviare il condizionatore d'aria se la resistenza dell'isolamento è inferiore a 1,0 MΩ.

7.2. Prova di funzionamento

7.2.1. Uso del comando a distanza con filo

- Accertarsi di avere letto il manuale di istruzioni prima di eseguire la prova di funzionamento, in particolare le sezioni riguardanti la sicurezza.

Punto 1 Accendere l'unità.

- Telecomando: si attiva la modalità di avvio e la spia di accensione del telecomando (verde) e la dicitura "PLEASE WAIT" (ATTENDERE PREGO) lampeggiano. Quando la spia e il messaggio lampeggiano, non è possibile utilizzare il telecomando. Attendere che la dicitura "PLEASE WAIT" (ATTENDERE PREGO) scompaia dal display prima di utilizzare il telecomando. Dopo l'accensione dell'unità, la dicitura "PLEASE WAIT" (ATTENDERE PREGO) rimane visualizzata per circa 2 minuti.
- Scheda dell'unità di controllo interna: il LED 1 è acceso, il LED 2 è acceso (se l'indirizzo è 0) o spento (se l'indirizzo non è 0) e il LED 3 lampeggia.
- Scheda dell'unità di controllo esterna: il LED 1 (verde) e il LED 2 (rosso) sono accesi. Una volta completata la modalità di avvio del sistema, il LED 2 si spegne. Se la scheda dell'unità di controllo esterna utilizza un display digitale, [-] e [-] verranno visualizzati alternativamente ogni secondo. Se dopo avere eseguito le procedure del punto 2 e seguenti le operazioni non producono i risultati desiderati, verificare se sono presenti le condizioni evidenziate di seguito ed in caso affermativo correggerle.

(Le anomalie seguenti si verificano durante la modalità di collaudo. Il termine "Startup" (Avvio) utilizzato nella tabella si riferisce al display LED descritto in precedenza).

Anomalie nella modalità di collaudo		Motivo
Display del telecomando	Display LED SCHEDA ESTERNA < > indica il display digitale.	
Viene visualizzata la dicitura "PLEASE WAIT" (ATTENDERE PREGO) e il display non può essere utilizzato.	Dopo che è stato visualizzato "startup" (avvio), si accende solo la spia verde. <00>	• All'accensione compare l'indicazione "PLEASE WAIT" (ATTENDERE, PREGO), che resta visualizzata per 2 minuti durante l'avvio del sistema. (Normale)
Dopo l'accensione dell'unità, la dicitura "PLEASE WAIT" (ATTENDERE PREGO) rimane visualizzata per 3 minuti, quindi compare un codice di errore.	Dopo che è stato visualizzato "startup" (avvio), la spia verde e quella rossa lampeggiano alternativamente una volta ciascuna. <F1> Dopo che è stato visualizzato "startup" (avvio), la spia verde e quella rossa lampeggiano alternativamente rispettivamente per una volta sola o due volte. <F3, F5, F9>	• Collegamento errato del blocco terminale esterno (R, S, T e S ₁ , S ₂ , S ₃). • Il connettore del dispositivo di protezione dell'unità esterna è aperto.
Sul display non viene visualizzato nulla anche se il telecomando è stato acceso mediante l'interruttore di accensione (la spia di funzionamento non si accende).	Dopo che è stato visualizzato "startup" (avvio), la spia verde e quella rossa lampeggiano alternativamente rispettivamente per due volte e una sola volta. <EA, Eb>	• Il cablaggio tra l'unità interna e quella esterna non è corretto (la polarità è errata per S ₁ , S ₂ , S ₃). • Cortocircuito del filo di trasmissione del telecomando.
Il display si accende ma si spegne immediatamente, anche quando si utilizza il telecomando.	Dopo che è stato visualizzato "startup" (avvio), si accende solo la spia verde. <00>	• Nessuna unità esterna con indirizzo 0 (l'indirizzo è diverso da 0). • Il filo di trasmissione del telecomando non è collegato.
	Dopo che è stato visualizzato "startup" (avvio), si accende solo la spia verde. <00>	• Dopo avere annullato la selezione delle funzioni, non è possibile eseguire alcuna operazione per circa 30 secondi (Normale).

Punto 2 Impostare il telecomando a distanza su "Test run" (Prova di funzionamento).

- 1 Selezionare l'opzione "Test run" (Prova di funzionamento) dal Menu di Servizio, quindi premere il pulsante [SCEGLI]. (Fig. 7-1)
- 2 Selezionare l'opzione "Test run" (Prova di funzionamento) dal relativo menu, quindi premere il pulsante [SCEGLI]. (Fig. 7-2)
- 3 Viene avviata la prova di funzionamento e viene visualizzato il relativo schermo.

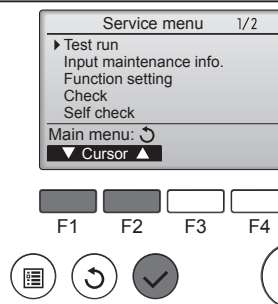


Fig. 7-1

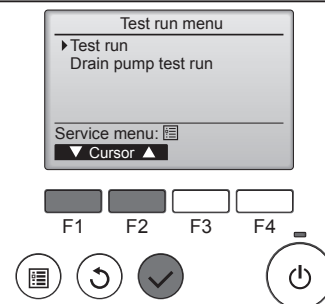


Fig. 7-2

Punto 3 Eseguire la prova di funzionamento e verificare la temperatura del flusso d'aria e il deflettore automatico.

- 1 Premere il pulsante [F1] per cambiare il modo operativo. (Fig. 7-3)
Modalità di raffreddamento: verificare che dall'unità fuoriesca aria fredda.
Modalità di riscaldamento: verificare che dall'unità fuoriesca aria calda.
- 2 Premere il pulsante [SCEGLI] per visualizzare lo schermo di funzionamento dei deflettori, quindi premere i pulsanti [F1] e [F2] per verificare il deflettore automatico. (Fig. 7-4)
Premere il pulsante [INDIETRO] per ritornare allo schermo della prova di funzionamento.

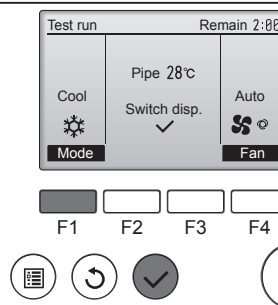


Fig. 7-3

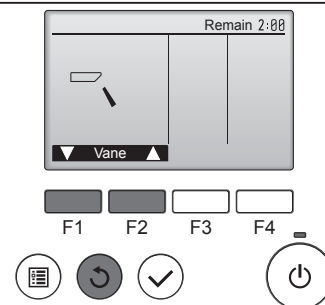


Fig. 7-4

7. Prova di funzionamento

Punto 4 Verificare il funzionamento del ventilatore dell'unità esterna.

È possibile controllare la velocità del ventilatore dell'unità esterna per regolare le prestazioni dell'unità. A seconda dell'aria presente nell'ambiente, il ventilatore ruoterà a bassa velocità e continuerà a ruotare a tale velocità a meno che le prestazioni siano insufficienti. Pertanto, se il vento esterno interrompe la rotazione del ventilatore o lo fa girare nella direzione opposta, ciò non costituisce un problema.

Punto 5 Interrompere la prova di funzionamento.

① Premere il pulsante [ON/OFF] per interrompere la prova di funzionamento (verrà visualizzato il menu della prova di funzionamento).

Nota: se sul telecomando viene visualizzato un errore, fare riferimento alla tabella seguente.

LCD	Descrizione del malfunzionamento	LCD	Descrizione del malfunzionamento	LCD	Descrizione del malfunzionamento
P1	Errore del sensore di aspirazione	P9	Errore del sensore della tubazione (tubazione a doppia parete)	E0 – E5	Errore di comunicazione tra il telecomando e l'unità interna.
P2	Errore del sensore della tubazione (tubazione di trasporto liquido)	PA	Errore di perdita (sistema refrigerante)		
P4	Connettore dell'interruttore a galleggiante per il drenaggio scollegato (CN4F)	Pb	Errore del motore della ventola dell'unità interna		
		PL	Anomalia del circuito refrigerante		
P5	Operazione di protezione del troppo pieno	FB	Errore della scheda dell'unità di controllo interna	E6 – EF	Errore di comunicazione tra l'unità interna e l'unità esterna
P6	Operazione di protezione da congelamento/surriscaldamento	U*, F* (* indica un carattere alfanumerico, ad eccezione di FB).	Malfunzionamento dell'unità esterna. Fare riferimento allo schema di cablaggio dell'unità esterna.		
P8	Errore di temperatura della tubazione				

Fare riferimento alla tabella seguente per i dettagli sul display LED (LED 1, 2 e 3) sulla scheda dell'unità di controllo interna.

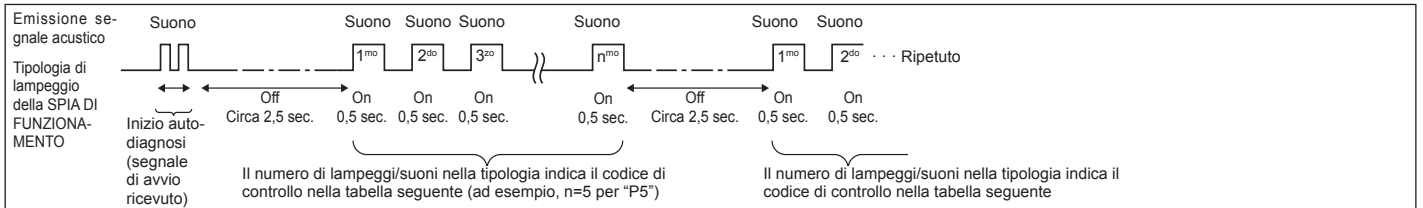
LED 1 (alimentazione del microcomputer)	Indica la presenza dell'alimentazione per l'unità di controllo. Accertarsi che questo LED sia sempre acceso.
LED 2 (alimentazione del telecomando)	Indica la presenza dell'alimentazione per il telecomando a filo. Questo LED si accende solo per l'unità interna collegata all'unità esterna con indirizzo 0.
LED 3 (comunicazione unità interna/esterna)	Indica se è presente la comunicazione tra l'unità interna ed esterna. Accertarsi che questo LED lampeggi sempre.

7.3. Autodiagnosi

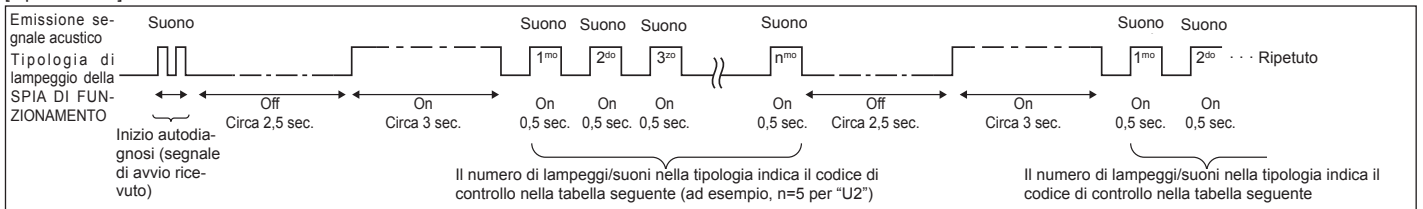
■ Per i dettagli, fare riferimento al manuale d'installazione fornito in dotazione con ogni telecomando.

• Per informazioni sui codici di controllo, consultare le tabelle seguenti. (Regolatore a distanza senza fili)

[Tipo uscita A]



[Tipo uscita B]



7. Prova di funzionamento

[Tipo uscita A] Errori rilevati dall'unità interna

Regolatore a distanza senza fili	Comando a distanza con filo	Anomalia	Commento
Viene emesso un segnale acustico / La SPIA DI FUNZIONAMENTO lampeggia (numero di volte)	Codice di controllo		
1	P1	Errore nel sensore di aspirazione	
2	P2	Errore nel sensore della tubazione (TH2)	
	P9	Errore nel sensore della tubazione (TH5)	
3	E6, E7	Errore di comunicazione dell'unità interna/esterna	
4	P4	Errore nel sensore di drenaggio/Connettore interruttore a galleggiante aperto	
5	P5	Errore nella pompa di drenaggio	
	PA	Errore forzato compressore	
6	P6	Funzionamento di emergenza per congelamento/surriscaldamento	
7	EE	Errore di comunicazione tra le unità interna ed esterna	
8	P8	Errore di temperatura della tubazione	
9	E4	Errore nella ricezione del segnale del telecomando	
10	—	—	
11	Pb	Errore del motore della ventola dell'unità interna	
12	Fb	Errore nel sistema di controllo dell'unità interna (errore di memoria, ecc.)	
14	PL	Anomalia del circuito di refrigerante	
Nessun segnale sonoro	E0, E3	Errore trasmissione comando a distanza	
Nessun segnale sonoro	E1, E2	Errore scheda di controllo comando a distanza	
Nessun segnale sonoro	— — —	Nessun sintomo corrispondente	

[Tipo uscita B] Errori rilevati da un'unità diversa dall'unità interna (unità esterna, ecc.)

Regolatore a distanza senza fili	Comando a distanza con filo	Anomalia	Commento
Viene emesso un segnale acustico / La SPIA DI FUNZIONAMENTO lampeggia (numero di volte)	Codice di controllo		
1	E9	Errore di comunicazione dell'unità interna/esterna (errore di trasmissione) (unità esterna)	Per ulteriori informazioni, vedere il display dei LED della scheda del controller dell'unità esterna.
2	UP	Interruzione sovracorrente del compressore	
3	U3, U4	Apertura/cortocircuito dei termistori dell'unità esterna	
4	UF	Interruzione sovracorrente del compressore (se il compressore è bloccato)	
5	U2	Temperatura di scarico troppo elevata 49C funzionamento / Refrigerante insufficiente	
6	U1, Ud	Pressione troppo elevata (63H funzionamento) / Funzionamento di emergenza per surriscaldamento	
7	U5	Temperatura anormale del dissipatore	
8	U8	Arresto di emergenza della ventola dell'unità esterna	
9	U6	Interruzione sovracorrente del compressore / Anomalia del modulo di alimentazione	
10	U7	Surriscaldamento anomalo dovuto a temperatura di scarico bassa	
11	U9, UH	Anomalia come, ad esempio, sovratensione o tensione insufficiente e segnale sincrono anomalo verso il circuito principale / Errore nel sensore di corrente	
12	—	—	
13	—	—	
14	Altri	Altri errori (consultare il manuale tecnico dell'unità esterna.)	

*1 Se non si ode più alcun suono dopo i primi due segnali acustici, a conferma che il segnale di inizio dell'autodiagnosi è stato ricevuto, e la SPIA DI FUNZIONAMENTO non si accende, significa che non sono stati rilevati errori.

*2 Se si odono tre suoni in successione "bip, bip, bip (0,4 + 0,4 + 0,4 sec.)" dopo i primi due segnali acustici, a conferma che il segnale di inizio dell'autodiagnosi è stato ricevuto, significa che l'indirizzo del refrigerante specificato non è corretto.

- Sul comando a distanza senza filo
Il cicalino suona ininterrottamente dalla sezione ricevente dell'unità interna.
Lampeggiamento della spia di funzionamento
- Sul comando a distanza con filo
Controllare il codice visualizzato sul display LCD.

7. Prova di funzionamento

• Qualora non sia possibile far funzionare l'unità correttamente dopo aver eseguito la prova di funzionamento di cui sopra, fare riferimento alla tabella sottostante per eliminare la causa della disfunzione.

Sintomo		Motivo
Comando a distanza con filo	LED 1, 2 (scheda a circuiti stampati della sezione interna)	
PLEASE WAIT	Per 2 minuti circa dopo l'accensione	Dopo che i LED 1, 2 si sono illuminati, il LED 2 si spegne e solo il LED 1 è illuminato. (funzionamento corretto).
PLEASE WAIT → Codice di errore	Dopo che sono trascorsi 2 minuti dall'accensione	Solo il LED 1 è illuminato. → LED 1 e LED 2 lampeggiano.
Non appaiono i messaggi sul display anche quando l'interruttore di funzionamento è acceso (ON) (la spia di funzionamento non si accende).		Solo il LED 1 è illuminato. → LED 1 lampeggia due volte, LED 2 lampeggia una volta.
		<ul style="list-style-type: none"> • Per circa 2 minuti dopo l'accensione dell'unità, l'attivazione con il comando a distanza non è possibile a causa dell'avviamento del sistema (funzionamento corretto). • Il connettore del dispositivo di protezione della sezione esterna non è collegato. • Cablaggio della fase aperta o di inversione del blocco terminale di alimentazione della sezione esterna (L1, L2, L3) • Cablaggio non corretto fra le sezioni interne e esterne (polarità non corretta di S1, S2, S3) • Cortocircuito del filo del comando a distanza

Sul comando a distanza senza filo con le condizioni di cui sopra, si possono verificare i seguenti fenomeni.

- Non vengono accettati i segnali provenienti dal comando a distanza.
- La spia FUNZIONAMENTO lampeggia.
- Il cicalino fa un breve suono acuto.

Nota:

Il funzionamento non è possibile per circa 30 secondi dopo la cancellazione della selezione della funzione (funzionamento corretto).

Per la descrizione di ciascun LED (LED 1, 2, 3) previsto per l'unità di controllo interna, fare riferimento a pagina 110.

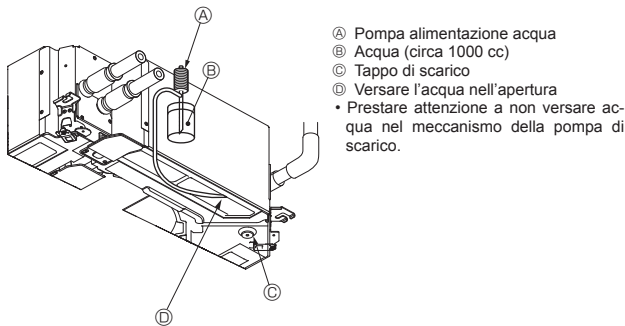


Fig. 7-5

7.4. Controllo del drenaggio (Fig. 7-5)

- Accertarsi che l'acqua sia correttamente scaricata e che non vi siano perdite in corrispondenza dei giunti.

Se i collegamenti elettrici sono stati completati.

- Versare acqua durante la fase di raffreddamento della prova di funzionamento (fare riferimento a 7.2.) e verificare.

Se i collegamenti elettrici non sono stati completati.

- Versare acqua durante la fase di emergenza e verificare.

* La vaschetta di raccolta e la ventola vengono attivate contemporaneamente quando si abilita la tensione 220-240 V monofase sui terminali S1 e S2 della morsetteria dopo avere impostato su ON il connettore (SWE) della scheda di comando nella scatola elettrica.

Dopo l'intervento, ricordarsi di ripristinare la condizione iniziale.

8. Controllo del sistema

Consultare il manuale d'installazione dell'unità esterna.

9. Installazione della griglia

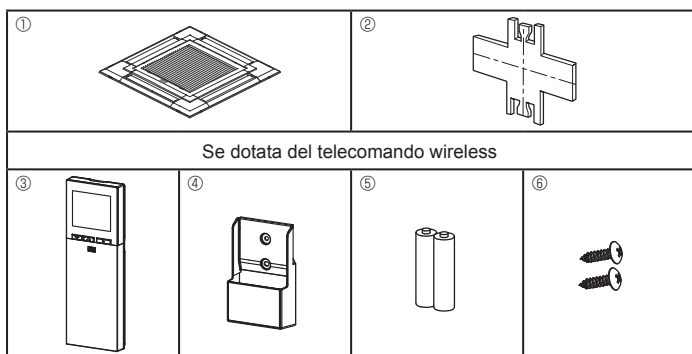


Fig. 9-1

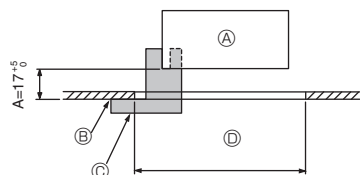


Fig. 9-2

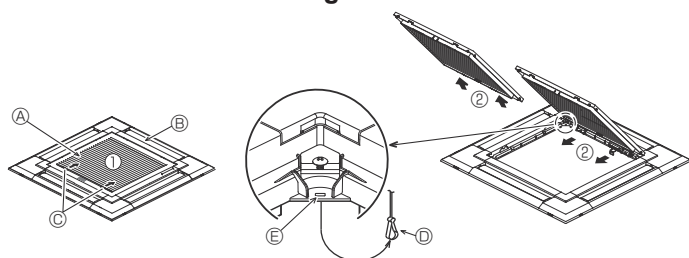


Fig. 9-3

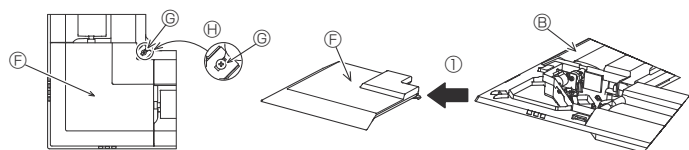


Fig. 9-4

	4-direzionale	3-direzionale
Tipologie di distribuzione dell'aria	1 tipologia: Impostazione di fabbrica 	4 tipologie: Una bocca di uscita aria completamente chiusa
Tipologie di distribuzione dell'aria	2-direzionale 6 tipologie: Due bocche di uscita aria completamente chiuse 	

Tabella 1

<Il gancio è in posizione sollevata>

<Il gancio è in posizione abbassata>

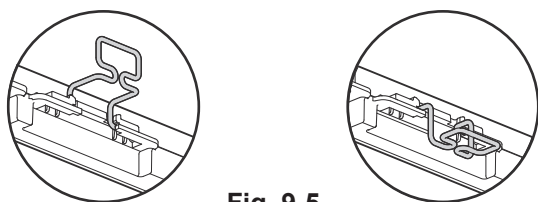


Fig. 9-5

9.1. Controllo del contenuto (Fig. 9-1)

• Il kit di montaggio contiene il presente manuale e le seguenti parti.

	Nome dell'accessorio	Q.tà	Osservazione
①	Grille	1	950 × 950 (mm)
②	Modello per l'installazione	1	(Diviso in 4 parti)
③	Telecomando senza fili	1	per PLP-6EALM
④	Supporto del telecomando	1	Incluso se è in dotazione il telecomando wireless.
⑤	Batterie AA LR6	2	Incluso se è in dotazione il telecomando wireless.
⑥	Viti autofilettanti da 3,5 × 16	2	Incluso se è in dotazione il telecomando wireless.

9.2. Preparazione dell'attacco della griglia (Fig. 9-2)

- Utilizzando il modello ② fornito con questo kit, regolare e controllare la posizione dell'unità principale rispetto alla superficie del soffitto. Se l'unità principale non è posizionata correttamente rispetto alla superficie del soffitto, potrebbero derivarne perdite d'aria o la formazione di condensa.
- Accertarsi che l'apertura sul soffitto sia compresa fra le seguenti fasce di valori: 860 × 860 - 910 × 910
- Per evitare danneggiamenti, accertarsi che per la procedura A sia rispettato l'intervallo di valori 17-22 mm.
 - Ⓐ Unità principale
 - Ⓑ Superficie del soffitto
 - Ⓒ Modello per l'installazione ② (inserito nell'unità principale)
 - Ⓓ Dimensioni apertura a soffitto

9.2.1. Rimozione della griglia di ingresso (Fig. 9-3)

- Far scorrere le leve nella direzione indicata dalla freccia ① per aprire la griglia di ingresso stessa.
- Sbloccare il gancio che fissa la griglia.
 - * Non sbloccare il gancio della griglia di ingresso.
- Con la griglia di ingresso in posizione "aperta", rimuovere la cerniera della griglia stessa, come indicato dalla freccia ②.

9.2.2. Rimozione del pannello angolare (Fig. 9-4)

- Allentare le 4 viti nell'angolo. Far scorrere il pannello angolare nella direzione della freccia ① in figura e rimuovere il pannello.

[Fig. 9-3] [Fig. 9-4]

- Ⓐ Griglia di ingresso
- Ⓑ Griglia ①
- Ⓒ Leve della griglia di ingresso
- Ⓓ Gancio della griglia
- Ⓔ Foro per il gancio della griglia
- Ⓕ Pannello angolare
- Ⓖ Vite
- Ⓗ Dettaglio

9.3. Selezione delle uscite dell'aria

Per questa griglia, è possibile selezionare 11 modelli di direzione di scarica. Oltre a ciò, impostando il telecomando sulle posizioni appropriate, è possibile regolare la portata d'aria e la relativa velocità. Selezionare le opportune impostazioni secondo la Tabella 1, in funzione del luogo in cui si desidera installare l'unità. (Occorre selezionare più di due direzioni.)

- 1) Decidere il modello della direzione di scarica.
- 2) Fare attenzione a impostare il telecomando sulle impostazioni appropriate in base al numero di uscite dell'aria e all'altezza del soffitto su cui va installata l'unità principale. (Consultare pagina 108)

Nota:

- Quando si cambia il numero di direzioni, è necessaria una piastra di regolazione dell'uscita dell'aria (in opzione).
- Non selezionare 2 direzioni in un ambiente molto caldo e umido. (Ciò potrebbe causare la formazione di condensa o di gocce di rugiada.)

9.4. Installazione della griglia

9.4.1. Preparazione (Fig. 9-5)

- Ricordarsi di sollevare i 2 ganci sulla griglia.

9. Installazione della griglia

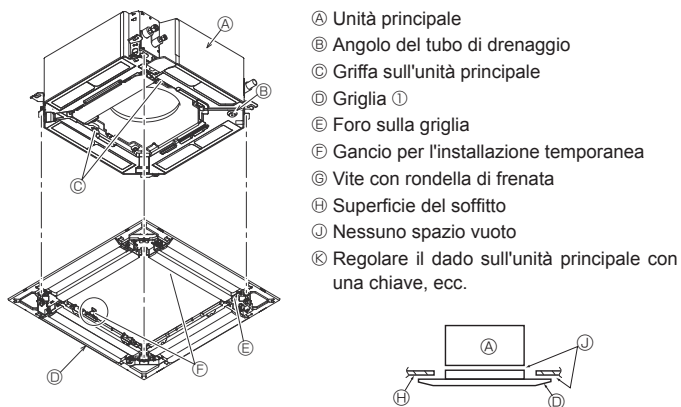


Fig. 9-6

< La griglia temporaneamente installata >

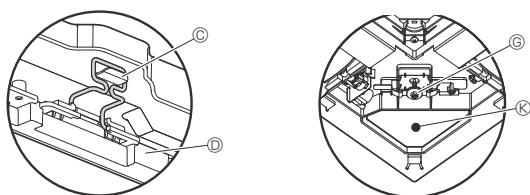


Fig. 9-7

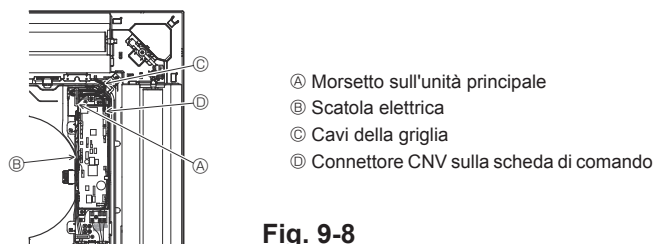


Fig. 9-8

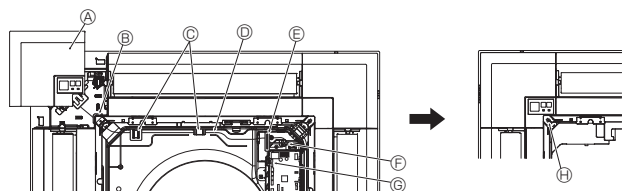


Fig. 9-9

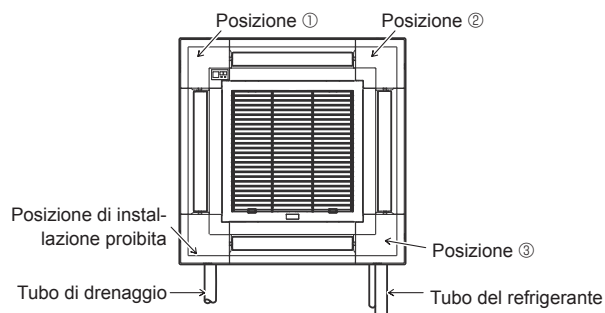


Fig. 9-10

9.4.2. Installazione temporanea della griglia (Fig. 9-6)

- Far corrispondere l'angolo del tubo di drenaggio sull'unità principale con l'angolo col foro sulla griglia e unirli temporaneamente appendendo il gancio della griglia alla griffa sull'unità principale.

9.4.3. Fissaggio della griglia

- Serrando le viti preinstallate, fissare la griglia all'unità principale. (Fig. 9-6)

Nota:

Assicurarsi che non vi sia alcuno spazio vuoto tra l'unità principale e la griglia o tra la griglia e la superficie del soffitto. (Fig. 9-6)

Se vi è dello spazio fra la griglia e il soffitto:

Con la griglia attaccata, regolare leggermente l'altezza di installazione dell'unità principale fino ad eliminare lo spazio vuoto.

⚠ Cautela:

- Quando si serra la vite, assicurarsi che la coppia di serraggio sia compresa tra 2,8 N·m e 3,6 N·m. Non usare mai un giravite a percussione.
- Dopo aver serrato la vite, accertarsi che i due ganci della griglia (Fig. 9-6) siano bloccati ai ganci dell'unità principale.

9.4.4. Collegamento elettrico (Fig. 9-8)

- Allentare le 2 viti di fissaggio del coperchio della scatola elettrica sull'unità principale e far scorrere il coperchio per aprirlo.
- Inserire il cavo da un lato della scatola elettrica.
- Accertarsi di collegare un connettore del motore dei deflettori (bianco, 20 poli) al connettore CNV (bianco) sulla scheda di comando dell'unità principale.
- I cavi che escono dalla griglia devono essere tenuti assieme senza allentamento per mezzo di un fermacavo nella scatola elettrica.

9.4.5. Installazione del ricevitore di segnale (Fig. 9-9)

- Inserire il cavo (bianco, 9 poli) per il pannello angolare del ricevitore di segnale dal lato della scatola elettrica sull'unità principale.
- Assicurarsi di collegare a CN90 (bianco) sulla scheda di comando.
- Assicurarsi che il cavo del pannello angolare del ricevitore di segnale venga fatto passare nell'attacco del foro a campana.
- Il cavo residuo deve essere fissato senza allentamento per mezzo di un fermacavo nella scatola elettrica.
- Riposizionare il coperchio sulla scatola elettrica utilizzando le 2 viti.

Nota:

Assicurarsi che i cavi non rimangano intrappolati nella scatola elettrica.

Installare il pannello angolare del ricevitore di segnale al pannello e fissare con la vite.

Il pannello angolare del ricevitore di segnale non può essere installato sul lato del tubo di drenaggio per l'unità principale. (Fare riferimento alla Fig. 9-10)

- A Pannello angolare del ricevitore di segnale
 B Foro della griglia (farvi passare il cavo)
 C Attacco del foro a campana
 D Cavo
 E Morsetto
 F Fascetta (fissare il cavo)
 G CN90 sulla scheda di comando
 H Vite

9. Installazione della griglia

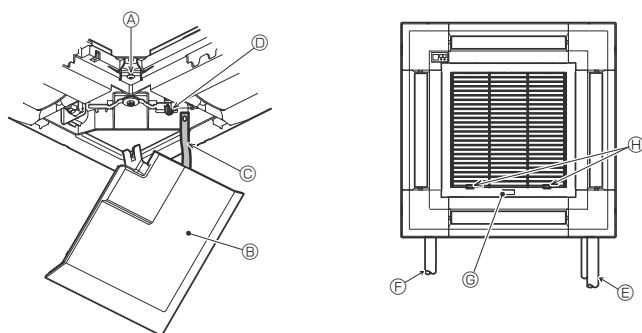


Fig. 9-11

9.5. Installazione della griglia di ingresso (Fig. 9-11)

Nota:

Quando si reinstallano i pannelli angolari (ognuno dotato di cinghietta di sicurezza), collegare l'altra estremità di ogni cinghietta alla griglia come indicato in figura.

- * Se i pannelli angolari non sono fissati saldamente, potrebbero cadere quando l'unità è in funzione.
- * Per installare la griglia di ingresso e il pannello angolare, seguire la procedura descritta al punto "9.2. Preparazione dell'attacco della griglia" in ordine inverso.
- * La direzione della griglia di ingresso può essere cambiata in base alle esigenze del cliente.

- Ⓐ Vite (4 × 16)
- Ⓑ Pannello angolare
- Ⓒ Cinghietta di sicurezza
- Ⓓ Gancio
- Ⓔ Tubo del refrigerante
- Ⓕ Tubo di drenaggio
- Ⓖ Logo della società

* È possibile l'installazione in qualsiasi posizione.

Ⓜ Posizione iniziale delle leve sulla griglia di ingresso

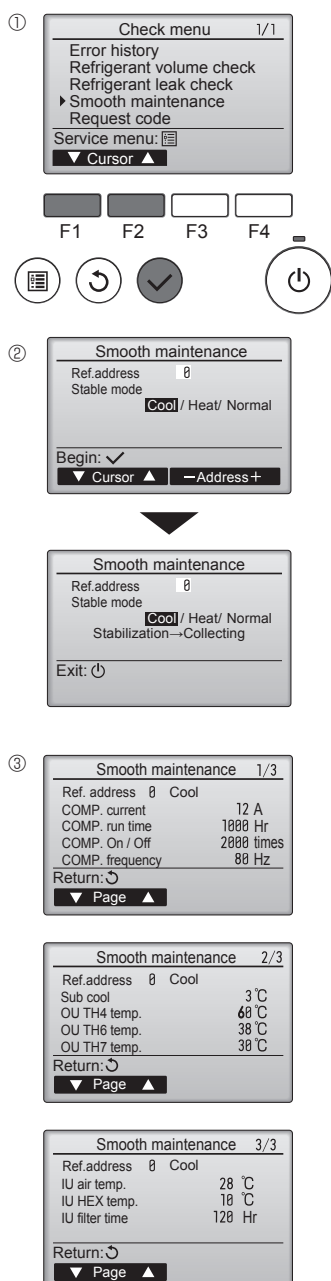
* Sebbene sia possibile installare i fermi in una qualsiasi delle 4 posizioni, si raccomanda la configurazione presentata qui. (Non è necessario rimuovere la griglia di ingresso durante la manutenzione della scatola elettrica dell'unità principale.)

10. Funzione di manutenzione facile

È possibile visualizzare i dati di manutenzione, come ad esempio la temperatura dello scambiatore di calore dell'unità interna/esterna e la corrente di alimentazione del compressore mediante l'opzione "Smooth maintenance" (Manutenzione rapida).

* Questa funzione non può essere eseguita durante la prova di funzionamento.

* È possibile che la funzione non venga supportata da alcuni modelli a seconda della combinazione con l'unità esterna.



• Selezionare "Service" (Servizio tecnico) da "Main menu" (menu principale), quindi premere il pulsante [SCEGLI].

• Selezionare "Check" (Verifica) utilizzando il pulsante [F1] o [F2], quindi premere il pulsante [SCEGLI].

• Selezionare "Smooth maintenance" (Manutenzione rapida) utilizzando il pulsante [F1] o [F2], quindi premere il pulsante [SCEGLI].

Selezione di ogni voce

• Selezionare la voce da modificare utilizzando il pulsante [F1] o [F2].

• Selezionare l'impostazione richiesta utilizzando il pulsante [F3] o [F4].

Impostazione "Ref. address" (Indirizzo Refr) "0" - "15"
 Impostazione "Stable mode" (Modalità stabile)..... "Cool" (Raffred) / "Heat"
 (Riscald) / "Normal"
 (Normale)

• Premere il pulsante [SCEGLI] per avviare il funzionamento stabile.

* Stable mode (modalità stabile) necessiterà di circa 20 minuti.

Verranno visualizzati i dati di funzionamento.

Il tempo di funzionamento accumulato del compressore (COMP. run) è di 10 ore, mentre il numero di attivazioni del compressore (COMP. On/Off) è 100 (le frazioni non vengono considerate).

Navigazione all'interno delle pagine

- Per tornare al Menu principale.....pulsante [MENU]
- Premere per tornare alla schermata precedentepulsante [INDIETRO]

Περιεχόμενα

1. Προφυλακτικά Μέτρα Ασφαλείας.....	116	6. Ηλεκτρικές εργασίες	122
2. Χώρος εγκατάστασης	117	7. Δοκιμαστική λειτουργία.....	128
3. Εγκατάσταση της εσωτερικής μονάδας.....	118	8. Έλεγχος συστήματος.....	131
4. Εγκατάσταση της σωλήνωσης ψυκτικού υγρού	120	9. Πώς τοποθετούνται οι γρίλιες.....	132
5. Εργασίες Σωληνώσεων Αποχέτευσης.....	121	10. Λειτουργία εύκολης συντήρησης.....	134

Σημείωση:





Η φράση “Ενσύρματο τηλεχειριστήριο” σε αυτό το εγχειρίδιο λειτουργίας αναφέρεται στο PAR-32MAA.

Εάν χρειάζεστε πληροφορίες για άλλο τηλεχειριστήριο, ανατρέξτε στο εγχειρίδιο εγκατάστασης ή στο εγχειρίδιο αρχικών ρυθμίσεων που περιλαμβάνεται σε αυτά τα κουτιά.

1. Προφυλακτικά Μέτρα Ασφαλείας

- ▶ Πριν κάνετε την εγκατάσταση της μονάδας, βεβαιωθείτε ότι διαβάσατε όλα τα “Προφυλακτικά Μέτρα Ασφαλείας”.
- ▶ α “Προφυλακτικά Μέτρα Ασφαλείας” παρέχουν πολύ σημαντικές πληροφορίες σχετικά με την ασφάλεια. Παρακαλείστε να βεβαιώνετε ότι εφαρμόζετε τα μέτρα ασφαλείας που προβλέπονται.
- ▶ Προτού συνδέσετε αυτόν τον εξοπλισμό στο σύστημα παροχής ρεύματος, αναφέρετε την πρόθεσή σας στην υπηρεσία ηλεκτροδότησης ή εξασφαλίστε τη συγκατάθεσή της.

ΣΥΜΒΟΛΑ ΠΟΥ ΕΜΦΑΝΙΖΟΝΤΑΙ ΣΤΗ ΜΟΝΑΔΑ

	ΠΡΟΕΙΔΟΠΟΙΗΣΗ (Κίνδυνος πυρκαγιάς)	Αυτό το σύμβολο αφορά μόνο το ψυκτικό υγρό R32. Ο τύπος του ψυκτικού υγρού αναγράφεται στην πινακίδα της εξωτερικής μονάδας. Σε περίπτωση που ο τύπος του ψυκτικού υγρού είναι R32, αυτή η μονάδα χρησιμοποιεί εύφλεκτο ψυκτικό υγρό. Αν το ψυκτικό υγρό διαρρέει και έρθει σε επαφή με φωτιά ή πηγή θερμότητας, θα δημιουργηθεί επικίνδυνο αέριο και υπάρχει κίνδυνος πρόκλησης πυρκαγιάς.
	Διαβάστε προσεκτικά το ΕΓΧΕΙΡΙΔΙΟ ΛΕΙΤΟΥΡΓΙΑΣ πριν από τη χρήση.	
	Το προσωπικό συντήρησης θα πρέπει να διαβάσει προσεκτικά το ΕΓΧΕΙΡΙΔΙΟ ΛΕΙΤΟΥΡΓΙΑΣ και το ΕΓΧΕΙΡΙΔΙΟ ΕΓΚΑΤΑΣΤΑΣΗΣ πριν από τη χρήση.	
	Περαισσότερες πληροφορίες θα βρείτε στο ΕΓΧΕΙΡΙΔΙΟ ΛΕΙΤΟΥΡΓΙΑΣ, στο ΕΓΧΕΙΡΙΔΙΟ ΕΓΚΑΤΑΣΤΑΣΗΣ και στα υπόλοιπα σχετικά έγγραφα.	

Σύμβολα που χρησιμοποιούνται στο κείμενο

⚠ Προειδοποίηση:

Περιγράφει τα μέτρα ασφαλείας που πρέπει να λαμβάνονται για την πρόληψη του κινδύνου τραυματισμού ή και θανάτου του χρήστη.

ℹ Προσοχή:

Περιγράφει προφυλακτικά μέτρα που πρέπει να λαμβάνονται για ν' αποφευχθεί βλάβη στη μονάδα.

⚠ Προειδοποίηση:

- Διαβάστε προσεκτικά τις ετικέτες που είναι κολλημένες πάνω στην κύρια μονάδα.
- Η εγκατάσταση, η μετακίνηση σε άλλη θέση και η επισκευή της μονάδας πρέπει να γίνονται από τον αντιπρόσωπο ή από εξουσιοδοτημένο τεχνικό.
- Ο χρήστης δεν πρέπει ποτέ να επιχειρήσει να επισκευάσει τη μονάδα ή να τη μεταφέρει σε άλλη θέση.
- Μην πραγματοποιείτε τροποποιήσεις στη μονάδα.
- Όταν πραγματοποιείτε εργασίες εγκατάστασης ή μετακίνησης σε άλλη θέση, ακολουθήστε τις οδηγίες του Εγχειριδίου εγκατάστασης και χρησιμοποιήστε εργαλεία και εξαρτήματα σωληνώσεων ειδικά κατασκευασμένα για χρήση με το ψυκτικό που καθορίζεται στο εγχειρίδιο εγκατάστασης της εξωτερικής μονάδας.
- Η εγκατάσταση της μονάδας πρέπει να γίνει σύμφωνα με τις οδηγίες προκειμένου να ελαχιστοποιηθεί ο κίνδυνος ζημιάς από σεισμούς, τυφώνες ή δυνατός ανέμους. Όταν η μονάδα δεν είναι σωστά εγκατεστημένη, μπορεί να πέσει και να προκαλέσει ζημιά ή τραυματισμό.
- Η μονάδα πρέπει να εγκατασταθεί και να στερεωθεί καλά σε μια επιφάνεια που μπορεί να αντέξει το βάρος της.
- Η συσκευή πρέπει να φυλάσσεται σε καλά αεριζόμενο χώρο, όπου το μέγεθος του δωματίου αντιστοιχεί στο εμβαδόν του δωματίου που έχει καθοριστεί για τη λειτουργία.
- Εάν το κλιματιστικό πρόκειται να εγκατασταθεί σε μικρό ή κλειστό χώρο, πρέπει να ληφθούν μέτρα προκειμένου να αποτραπεί η συγκέντρωση ψυκτικού στο δωμάτιο άνω του ορίου ασφαλείας σε περίπτωση που σημειωθεί διαρροή. Αν σημειωθεί διαρροή ψυκτικού και υπέρβαση του ορίου συγκέντρωσης, υπάρχει σοβαρός κίνδυνος για την υγεία εξαιτίας της έλλειψης οξυγόνου στο δωμάτιο.
- Κρατήστε μακριά συσκευές καύσης αερίου, ηλεκτρικές θερμάστρες και άλλες πηγές φωτιάς (πηγές ανάφλεξης) από το χώρο όπου πρόκειται να πραγματοποιηθούν εργασίες εγκατάστασης, επισκευής και άλλες εργασίες στο κλιματιστικό.
Αν το ψυκτικό έρθει σε επαφή με φλόγα, θα εκλυθούν δηλητηριώδη αέρια.
- Αρρίστε το χώρο σε περίπτωση διαρροής ψυκτικού κατά τη λειτουργία της μονάδας. Αν το ψυκτικό έρθει σε επαφή με φλόγα, θα απελευθερωθούν δηλητηριώδη αέρια.
- Όλες οι ηλεκτρικές εργασίες πρέπει να εκτελούνται από εκπαιδευμένο τεχνικό και σύμφωνα με τους τοπικούς κανονισμούς και τις οδηγίες που δίνονται σε αυτό το εγχειρίδιο.
- Χρησιμοποιείτε μόνο τα συνιστώμενα καλώδια για την καλωδίωση. Οι συνδέσεις της καλωδίωσης πρέπει να γίνονται σωστά χωρίς να ασκείται πίεση στις συνδέσεις των τερματικών. Επίσης, ποτέ μη συγκολληθεί τα καλώδια για την καλωδίωση (εκτός αν αναφέρεται διαφορετικά σε αυτό το έγγραφο). Σε περίπτωση που δεν ακολουθήσετε αυτές τις οδηγίες μπορεί να προκληθεί υπερθέρμανση ή πυρκαγιά.
- Κατά την εγκατάσταση ή μετακίνηση, ή κατά τη συντήρηση του κλιματιστικού, χρησιμοποιείτε μόνο το ενδεδειγμένο ψυκτικό που αναγράφεται στην εξωτερική μονάδα για την πλήρωση των σωλήνων ψυκτικού. Μην το αναμειγνύετε με άλλο ψυκτικό μέσο και μην αφήνετε τον αέρα να παραμένει μέσα στις γραμμές.

Σύμβολα που χρησιμοποιούνται στις εικονογραφήσεις



⚡ : Δείχνει μέρος της συσκευής που πρέπει να γειώνεται.



⊘ : Βεβαιωθείτε ότι δεν το κάνετε.

Αφού ολοκληρωθούν οι εργασίες για την εγκατάσταση, περιγράψτε στον πελάτη τα “Προφυλακτικά Μέτρα Ασφαλείας”, τη χρήση και τη συντήρηση της μονάδας σύμφωνα με τις πληροφορίες στο Εγχειρίδιο Λειτουργίας και εκτελέστε τη δοκιμαστική λειτουργία για να σιγουρευτείτε ότι η μονάδα λειτουργεί κανονικά. Το Εγχειρίδιο Εγκατάστασης και το Εγχειρίδιο Λειτουργίας πρέπει να δοθούν στο χρήστη για αναφορά. Τα εγχειρίδια αυτά πρέπει να δίνονται και στους επόμενους χρήστες της μονάδας.

- Εάν αναμιχθεί αέρας με το ψυκτικό, ενδέχεται να προκαλέσει ασυνήθιστα υψηλή πίεση στη γραμμή ψυκτικού, με ενδεχόμενο έκρηξης και άλλους κινδύνους. Η χρήση ψυκτικού διαφορετικού από αυτό που καθορίζεται για το σύστημα θα προκαλέσει μηχανική βλάβη ή δυσλειτουργία του συστήματος ή ζημιά στο σύστημα. Στη χειρότερη περίπτωση, μια τέτοια ενέργεια ενδέχεται να απονομεύσει την ασφάλεια του προϊόντος.
- Η συσκευή πρέπει να εγκατασταθεί σύμφωνα με τους εθνικούς κανονισμούς περί καλωδίωσης.
- Η παρούσα συσκευή δεν προορίζεται για χρήση από άτομα (συμπεριλαμβανομένων παιδιών) με μειωμένες φυσικές, αισθητηριακές ή νοητικές ικανότητες ή έλλειψη εμπειρίας και γνώσης, εκτός και αν επιβλέπονται ή τους έχουν δοθεί σαφείς οδηγίες σχετικά με την χρήση της συσκευής από άτομο υπεύθυνο για την ασφάλειά τους.
- Τα παιδιά πρέπει να επιβλέπονται ώστε να μην παίξουν με τη συσκευή.
- Το κάλυμμα της πλακέτας ακροδεκτών της εξωτερικής μονάδας πρέπει να βρίσκεται καλά ασφαλισμένο στη θέση του.
- Εάν το καλώδιο τροφοδοσίας έχει υποστεί ζημιά, πρέπει να αντικατασταθεί από τον κατασκευαστή, τον αντιπρόσωπο σέρβις ή παρόμοια καταρτισμένο τεχνικό για να αποφευχθεί ενδεχόμενος κίνδυνος.
- Χρησιμοποιείτε μόνο εγκεκριμένα εξαρτήματα από την Mitsubishi Electric και για την εγκατάστασή τους καλέστε τον αντιπρόσωπο ή εξουσιοδοτημένο τεχνικό.
- Αφού ολοκληρωθεί η εγκατάσταση, ελέγξτε για τυχόν διαρροές ψυκτικού. Αν υπάρχει διαρροή ψυκτικού στο δωμάτιο και έρθει σε επαφή με τη φλόγα μιας ηλεκτρικής θερμάστρας ή μιας φορητής εστίας μαγειρέματος, υπάρχει κίνδυνος να απελευθερωθούν δηλητηριώδη αέρια.
- Για την επιτάχυνση της διαδικασίας απόψυξης ή τον καθαρισμό, μη χρησιμοποιείτε άλλα μέσα από αυτά που συνιστά ο κατασκευαστής.
- Η συσκευή πρέπει να αποθηκεύεται σε χώρο όπου δεν υπάρχουν πηγές ανάφλεξης σε συνεχή λειτουργία (για παράδειγμα: γυμνές φλόγες, ενεργή συσκευή αερίου ή ενεργό ηλεκτρικό αερόθερμο).
- Μην τρυπάτε ή κόψτε τη συσκευή.
- Έχετε υπόψη ότι τα ψυκτικά υγρά ενδέχεται να είναι άοσμη.
- Η σωλήνωση πρέπει να προστατεύεται από υλικές ζημιές.
- Η σωλήνωση πρέπει να διατηρείται στο ελάχιστο μήκος.
- Πρέπει να τηρούνται οι εθνικοί κανονισμοί σχετικά με το αέριο.
- Μη φράζετε τα απαιτούμενα ανοίγματα αερισμού.
- Μην χρησιμοποιείτε συγκολλητικό κράμα χαμηλής θερμοκρασίας σε περίπτωση συγκόλλησης των σωλήνων ψυκτικού.
- Όταν εκτελείτε εργασίες ετερογενούς συγκόλλησης, βεβαιωθείτε ότι το δωμάτιο αερίζεται επαρκώς. Βεβαιωθείτε ότι δεν υπάρχουν κοντά επικίνδυνα ή εύφλεκτα υλικά. Όταν εκτελείτε εργασίες σε κλειστό δωμάτιο, μικρό δωμάτιο ή παρόμοιο χώρο, βεβαιωθείτε ότι δεν υπάρχουν διαρροές ψυκτικού προτού εκτελέσετε την εργασία. Εάν διαρρέει και συσσωρευτεί ψυκτικό, μπορεί να αναφλεγεί ή να εκλυθούν δηλητηριώδη αέρια.

1. Προφυλακτικά Μέτρα Ασφαλείας

1.1. Προετοιμασία για την εγκατάσταση (Περιβάλλον)

⚠ Προσοχή:

- Μην χρησιμοποιείτε τη μονάδα σε ασυνήθιστους χώρους. Αν το κλιματιστικό εγκατασταθεί σε χώρους όπου υπάρχουν ατμοί, πτητικό λάδι (συμπεριλαμβανομένων των λαδιών μηχανημάτων) ή θειικά αέρια, σε περιοχές όπου υπάρχει υψηλή περιεκτικότητα σε αλάτι όπως τα παράλια, η απόδοσή του μπορεί να μειωθεί σημαντικά και τα εσωτερικά του μέρη να καταστραφούν.
- Μην εγκαθιστάτε τη μονάδα σε σημεία όπου υπάρχει κίνδυνος διαρροής, απελευθέρωσης, κυκλοφορίας ή συγκέντρωσης εύφλεκτων αερίων. Αν γύρω από τη μονάδα συγκεντρωθούν εύφλεκτα αέρια, υπάρχει κίνδυνος πυρκαγιάς ή έκρηξης.
- Μην αφήνετε τρόφιμα, φυτά, κατοικίδια ζώα σε κλουβιά, έργα τέχνης ή όργανα ακριβείας απευθείας στο ρεύμα αέρα της εσωτερικής μονάδας ή πολύ κοντά στη μονάδα, επειδή μπορεί να υποστούν σοβαρές βλάβες και αλλοιώσεις εξαιτίας των αλλαγών της θερμοκρασίας ή του νερού που ενδεχομένως στάζει από τη μονάδα.
- Όταν η υγρασία του δωματίου ξεπερνά το 80% ή όταν ο σωλήνας αποστράγγισης έχει φράξει, νερό μπορεί να αρχίσει να στάζει από την εσωτερική μονάδα. Μην εγκαταστήσετε την εσωτερική μονάδα σε σημεία όπου το νερό που τυχόν στάζει μπορεί να προκαλέσει ζημιές.
- Όταν πρόκειται να εγκαταστήσετε τη μονάδα σε νοσοκομεία ή σε σταθμούς τηλεπικοινωνιών, πρέπει να γνωρίζετε ότι κάνει θόρυβο και προκαλεί ηλεκτρονικές παρεμβολές. Οι μετασηματιστές συνεχούς ρεύματος, οι οικιακές συσκευές, τα ιατρικά μηχανήματα υψηλής συχνότητας και οι πομποί ραδιοσυχνοτήτων μπορεί να προκαλέσουν δυσλειτουργία ή και βλάβη του κλιματιστικού. Το κλιματιστικό μπορεί επίσης να επηρεάσει τη σωστή λειτουργία των ιατρικών μηχανημάτων, παρεμποδίζοντας την ιατρική φροντίδα, και του τηλεπικοινωνιακού εξοπλισμού, επηρεάζοντας την ποιότητα της τηλεοπτικής εικόνας.

1.2. Προετοιμασία για την εγκατάσταση ή τη μεταφορά

⚠ Προσοχή:

- Όταν μεταφέρετε τη μονάδα, πρέπει να είστε ιδιαίτερα προσεκτικοί. Για τη μεταφορά της μονάδας, η οποία ζυγίζει τουλάχιστον 20 κιλά, χρειάζονται δύο ή και περισσότερα άτομα. Μην τη σηκώνετε από τις ταινίες συσκευασίας. Φοράτε προστατευτικά γάντια γιατί μπορεί να τραυματιστείτε στα χέρια από τα πτερύγια ή άλλα μέρη της μονάδας.
- Βεβαιωθείτε ότι τα υλικά συσκευασίας έχουν πεταχτεί σε ασφαλές μέρος. Τα υλικά συσκευασίας, όπως τα καρφιά και άλλα μεταλλικά ή ξύλινα μέρη, μπορεί να προκαλέσουν κοψίματα ή άλλους τραυματισμούς.
- Η θερμική μόνωση του σωλήνα ψυκτικού είναι απαραίτητη για να αποτραπεί η συμπύκνωση. Αν η μόνωση του σωλήνα ψυκτικού δεν γίνει σωστά, θα σχηματιστεί συμπύκνωση.
- Τυλίξτε με θερμομονωτικό υλικό τους σωλήνες για να εμποδίσετε το σχηματισμό συμπύκνωσης. Αν ο σωλήνας αποστράγγισης δεν τοποθετηθεί σωστά, μπορεί να σημειωθεί διαρροή νερού και να προκληθούν ζημιές στην οροφή, το δάπεδο, τα έπιπλα ή άλλα αντικείμενα.
- Μην καθαρίζετε το κλιματιστικό με νερό. Μπορεί να πάθετε ηλεκτροπληξία.
- Σφίξτε όλα τα περικόχλια εκχείλωσης σύμφωνα με τις προδιαγραφές χρησιμοποίησης ένα δυναμόκλειδο. Αν τα σφίζετε πάρα πολύ, μπορεί να σπάσουν μετά από ορισμένο χρονικό διάστημα.
- Αν η μονάδα λειτουργεί για πολλές ώρες ενώ ο αέρας επάνω από την οροφή βρίσκεται σε υψηλή θερμοκρασία/υψηλή υγρασία (σημείο υγροποίησης άνω των 26 °C), ενδέχεται να σχηματιστεί συμπύκνωση υδρατμών στην εσωτερική μονάδα ή στα υλικά της οροφής. Όταν οι μονάδες λειτουργούν σε αυτές τις συνθήκες, προσθέστε μονωτικό υλικό (10-20 mm) σε ολόκληρη την επιφάνεια της μονάδας και στα υλικά οροφής, για να αποφύγετε τη συμπύκνωση υδρατμών.

1.3. Προετοιμασία για τις ηλεκτρικές εργασίες

⚠ Προσοχή:

- Φροντίστε να τοποθετήσετε διακόπτες κυκλώματος. Διαφορετικά, μπορεί να προκληθεί ηλεκτροπληξία.
- Για τις γραμμές τροφοδοσίας, χρησιμοποιήστε καλώδια του εμπορίου επαρκούς ισχύος. Διαφορετικά, μπορεί να προκληθεί βραχυκύκλωμα, υπερθέρμανση ή πυρκαγιά.
- Όταν συνδέετε τις γραμμές τροφοδοσίας, μην τεντώνετε υπερβολικά τα καλώδια.
- Φροντίστε να γειώσετε τη μονάδα. Αν η μονάδα δεν είναι κατάλληλα γειωμένη, μπορεί να προκληθεί ηλεκτροπληξία.
- Χρησιμοποιήστε διακόπτες κυκλώματος (διακόπτης κυκλώματος βλάβης γείωσης, διακόπτης απομόνωσης κυκλώματος (ασφάλεια +B), και διακόπτης κυκλώματος σε χυτευτό κουτί) με την ενδεδειγμένη χωρητικότητα. Αν η χωρητικότητα του διακόπτη κυκλώματος είναι μεγαλύτερη από την ενδεδειγμένη, μπορεί να προκληθεί βλάβη ή πυρκαγιά.

1.4. Πριν τη δοκιμαστική λειτουργία

⚠ Προσοχή:

- Ανοίξτε τον κεντρικό διακόπτη τροφοδοσίας 12 ώρες τουλάχιστον πριν την έναρξη της λειτουργίας. Η έναρξη λειτουργίας της μονάδας αμέσως αφού ανοίξετε τον κεντρικό διακόπτη τροφοδοσίας μπορεί να προκαλέσει σοβαρή ζημιά στα εσωτερικά της μέρη.
- Πριν την έναρξη της λειτουργίας, ελέγξτε ότι όλα τα πλαίσια, οι διατάξεις ασφαλείας και άλλα προστατευτικά μέρη είναι σωστά τοποθετημένα. Μέρη που περιστρέφονται, έχουν υψηλή θερμοκρασία ή υψηλή τάση μπορεί να προκαλέσουν τραυματισμούς.
- Μην λειτουργείτε το κλιματιστικό χωρίς το φίλτρο αέρα στη θέση του. Αν το φίλτρο αέρα δεν είναι τοποθετημένο στη θέση του, μπορεί να μαζευτεί σκόνη και να προκληθεί βλάβη στο κλιματιστικό.
- Μην αγγίζετε τους διακόπτες με βρεγμένα χέρια. Μπορεί να πάθετε ηλεκτροπληξία.
- Μην αγγίζετε τους σωλήνες ψυκτικού με γυμνά χέρια όταν λειτουργεί το κλιματιστικό.
- Αφού σταματήσει να λειτουργεί το κλιματιστικό, περιμένετε τουλάχιστον πέντε λεπτά πριν κλείσετε τον κεντρικό διακόπτη τροφοδοσίας. Διαφορετικά, μπορεί να προκληθεί διαρροή ή βλάβη.

2. Χώρος εγκατάστασης

Ανατρέξτε στο εγχειρίδιο εγκατάστασης της εξωτερικής μονάδας.

3. Εγκατάσταση της εσωτερικής μονάδας

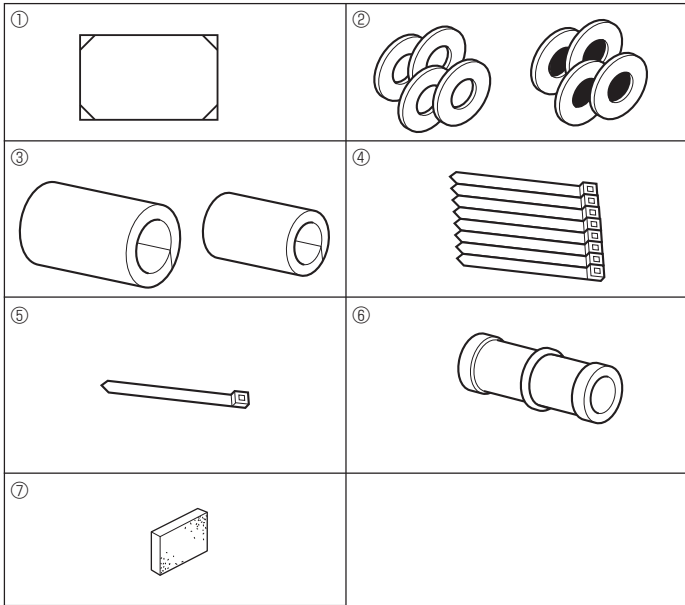


Fig. 3-1

3.1. Ελέγξτε τα εξαρτήματα της εσωτερικής μονάδας (Fig. 3-1)

Η εσωτερική μονάδα πρέπει να προμηθευτεί με τα παρακάτω εξαρτήματα.

	Όνομασία εξαρτήματος	Ποσότητα
①	Χάρτινο αποτύπωμα εγκατάστασης (στο επάνω μέρος του πακέτου)	1
②	Ροδέλλα (με μόνωση)	4
	Ροδέλλα (χωρίς μόνωση)	4
③	Κολάρα σωλήνων (για συνδέσεις των σωλήνων ψυκτικού) μικρής διαμέτρου	1
	Κολάρα σωλήνων (για συνδέσεις των σωλήνων ψυκτικού) μεγάλης διαμέτρου	1
④	Ταινία (μεγάλη)	8
⑤	Ταινία (μικρή)	1
⑥	Ακροσύνδεσμος αποχέτευσης	1
⑦	Μόνωση	1

3.2. Ανοίγματα στο ταβάνι και θέσεις για την τοποθέτηση των μπουλονιών ανάρτησης (Fig. 3-2)

⚠ Προσοχή:

Εγκαταστήστε την εσωτερική μονάδα τουλάχιστον 2,5μ πάνω από το έδαφος ή το κεκλιμένο επίπεδο.

Για συσκευές μη διαθέσιμες στο ευρύ κοινό.

• Χρησιμοποιώντας το χάρτινο περίγραμμα (στην επάνω πλευρά της συσκευασίας) και το όργανο μέτρησης (προμηθεύεται ως επιπλέον εξάρτημα με τη γρίλια), κάντε ένα άνοιγμα στην οροφή για να μπορέσει να γίνει η εγκατάσταση της κύριας μονάδας όπως φαίνεται στο σχεδιάγραμμα (στο σχεδιάγραμμα φαίνεται η μέθοδος χρήσης του χάρτινου περιγράμματος και του οργάνου μέτρησης).

* Πριν από τη χρήση του χάρτινου αποτυπώματος και του μετρητή, ελέγξτε τις διαστάσεις τους επειδή μεταβάλλονται εξαιτίας των διακυμάνσεων της θερμοκρασίας και της υγρασίας.

* Οι διαστάσεις του ανοίγματος περιέλιξης μπορούν να ρυθμιστούν εντός του εύρους που εμφανίζεται στην Fig.3-2. Οπότε, κεντραρίστε την κεντρική μονάδα με το άνοιγμα περιέλιξης, διασφαλίζοντας πως οι αντίστοιχες απέναντι πλευρές σε κάθε πλευρά του ελεύθερου χώρου ανάμεσά τους θα είναι ίδιες.

• Χρησιμοποιήστε μπουλόνια ανάρτησης μεγέθους M10 (3/8").

* Τα μπουλόνια ανάρτησης αγοράζονται από το εμπόριο.

• Φροντίστε ώστε η εγκατάσταση να είναι στέρεη, εξασφαλίζοντας ότι δεν υπάρχει διάκενο μεταξύ του πλαισίου ταβανιού και στις γρίλλες, και μεταξύ της κύριας μονάδας και στις γρίλλες.

Ⓐ Εξωτερική πλευρά κύριας μονάδας

Ⓔ Γρίλλες

Ⓑ Απόσταση μπουλονιών

Ⓕ Ταβάνι

Ⓒ Άνοιγμα περιέλιξης

Ⓖ Κάλυμμα πολλαπλών λειτουργιών (προαιρετικό)

Ⓓ Εξωτερική πλευρά στις γρίλλες

Ⓖ Ολόκληρη η περιφέρεια

* Σημειώνεται ότι το κενό ανάμεσα στο πλαίσιο οροφής της μονάδας και στην πλάκα οροφής, κ.λπ. πρέπει να είναι τουλάχιστον 7 mm.

* Όταν εγκατασταθεί το προαιρετικό κάλυμμα πολλαπλών λειτουργιών, προσθέστε 135 χλστ στις διαστάσεις που αναφέρονται στην εικόνα.

(mm)

Μοντέλα	A	B
SM71	241	258
SM100-140	281	298

3.3. Θέσεις σωλήνων ψυκτικού και αποχέτευσης της εσωτερικής μονάδας (Fig. 3-3)

Ο αριθμός με αστερίσκο * στο σχέδιο δείχνει τις διαστάσεις της κύριας μονάδας με εξαίρεση τις διαστάσεις του προαιρετικού καλύμματος πολλαπλών λειτουργιών.

Ⓐ Σωλήνας αποχέτευσης

Ⓔ Ταβάνι

Ⓒ Γρίλλες

Ⓓ Ψυκτικός σωλήνας (υγρού)

Ⓔ Ψυκτικός σωλήνας (αερίου)

Ⓕ Κύρια μονάδα

* Όταν γίνεται η εγκατάσταση του προαιρετικού καλύμματος πολλαπλών λειτουργιών, προσθέστε 135 χλστ. στις διαστάσεις που αναφέρονται στην εικόνα.

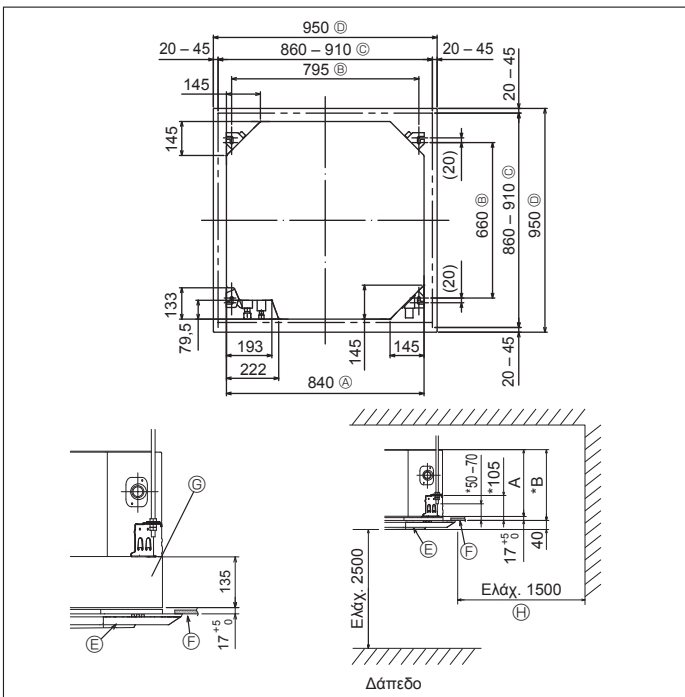


Fig. 3-2

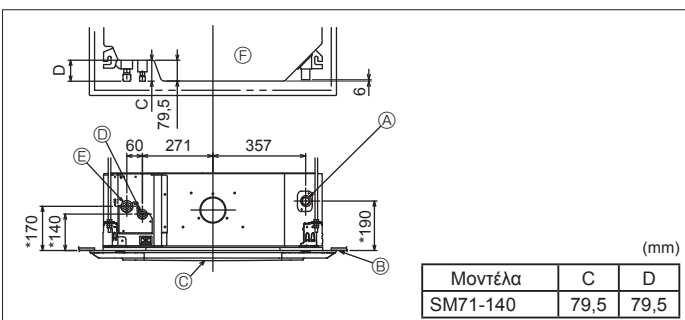


Fig. 3-3

3. Εγκατάσταση της εσωτερικής μονάδας

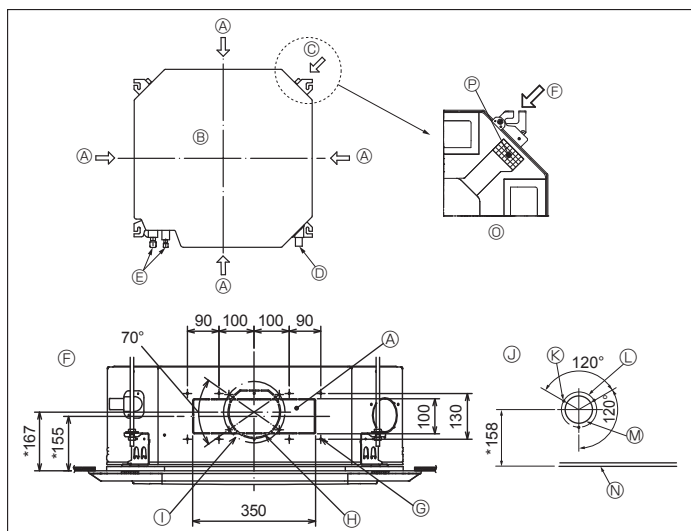


Fig. 3-4

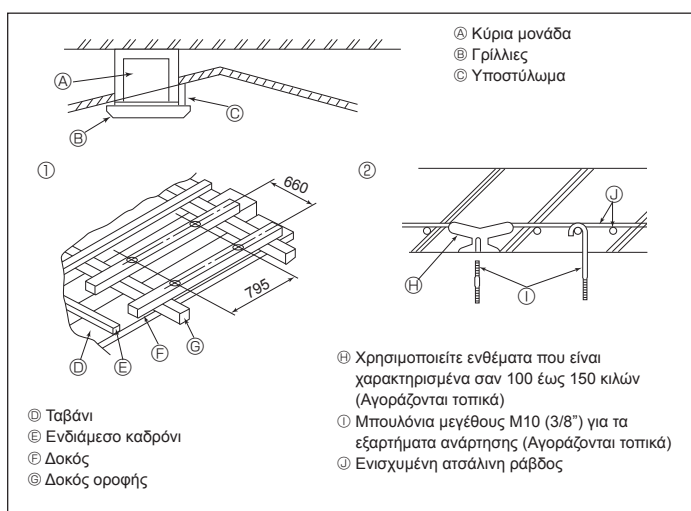


Fig. 3-5

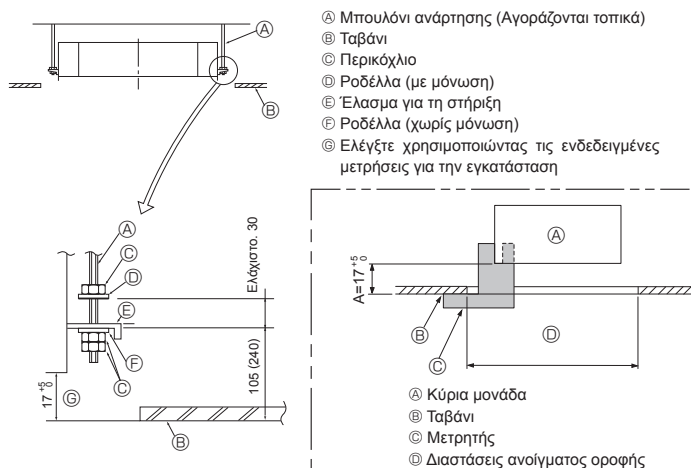


Fig. 3-6



Fig. 3-7

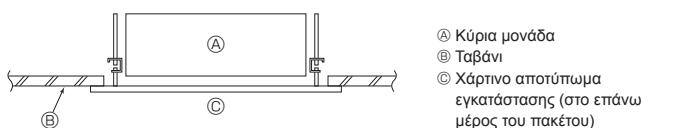


Fig. 3-8

3.4. Οπή πλάγιου αγωγού και οπή εισόδου καθαρού αέρα (Fig. 3-4)

Την ώρα της εγκατάστασης, χρησιμοποιήστε τις οπές αγωγού (οι οποίες είναι έτοιμες) που βρίσκονται στις θέσεις που εμφανίζονται στην Fig. 3-4 όπως και όταν είναι απαραίτητο.

- Μπορεί επίσης να γίνει και μια τρύπα εισόδου καθαρού αέρα για το προαιρετικό πλαίσιο πολλαπλής χρήσης.

Σημείωση:

- Ο αριθμός με τον αστερίσκο (*) στο διάγραμμα αντιπροσωπεύει τις διαστάσεις της κύριας μονάδας χωρίς να περιλαμβάνει όμως τις διαστάσεις του προαιρετικού πλαισίου πολλαπλής χρήσης.
- Κατά την εγκατάσταση του προαιρετικού πλαισίου πολλαπλής χρήσης, προσθέστε 135 χλστ. στις διαστάσεις που αναγράφονται στο διάγραμμα.
- Κατά την εγκατάσταση των πλάγιων αγωγών, βεβαιωθείτε ότι η μόνωση είναι επαρκής. Διαφορετικά, μπορεί να προκληθεί συμπύκνωση ή διαρροή νερού.
- Όταν εγκαθιστάτε την οπή εισόδου καθαρού αέρα, φροντίστε να αφαιρέσετε τον μονωτή (E) που είναι επικολλημένος στην εσωτερική μονάδα.
- Όταν ο εξωτερικός αέρας εισέρχεται απευθείας μέσω της κύριας μονάδας, ο όγκος του εισερχόμενου αέρα θα πρέπει να είναι 5% ή λιγότερο του όγκου αέρα της εσωτερικής μονάδας.
- Για την είσοδο του εξωτερικού αέρα, απαιτείται ο ανεμιστήρας του αγωγού και το φίλτρο συλλογής σκόνης για την αποτροπή έλξης σκόνης και άλλων σωματιδίων. Για λεπτομέρειες, ανατρέξτε στην ενότητα "Όγκος εισαγωγής φρέσκου αέρα και χαρακτηριστικά στατικής πίεσης", στο ΒΙΒΛΙΟ ΔΕΔΟΜΕΝΩΝ P series.
- Όταν ο εξωτερικός αέρας εισέρχεται στην κύρια μονάδα, ο θόρυβος λειτουργίας μπορεί να είναι μεγαλύτερος.

- A Οπή πλάγιου αγωγού
- B Κύρια μονάδα
- C Οπή εισόδου καθαρού αέρα
- D Σωλήνας αποστράγγισης
- E Σωλήνας ψυκτικού
- F Διάγραμμα οπών πλάγιου αγωγού (όψη και από τις δύο πλευρές)
- G Λαμαρινόβιδες 14-4×10
- H Ανοιγμένη τρύπα ϕ 150
- I Βήμα χαραγμένης τρύπας ϕ 175
- J Διάγραμμα οπής εισόδου καθαρού αέρα
- K Λαμαρινόβιδες 3-4×10
- L Βήμα χαραγμένης τρύπας ϕ 125
- M Ανοιγμένη τρύπα ϕ 100
- N Οροφή
- O Λεπτομερή εικόνα αφαίρεσης του μονωτή
- P Μόνωση

3.5. Υποδομή ανάρτησης (Το μέρος του ταβανιού όπου θ' αναρτηθεί η μονάδα πρέπει να έχει ισχυρή υποδομή) (Fig. 3-5)

• Οι εργασίες στο ταβάνι για την ανάρτηση της μονάδας διαφέρουν ανάλογα με την κατάσταση του κτιρίου. Για λεπτομέρειες πρέπει να ζητηθεί η συμβουλή ειδικών στην κατασκευή οικοδομών και ειδικών στη διακόσμηση εσωτερικών χώρων.

- (1) Εκτεταμένο τεμάχιο που αφαιρείται από το ταβάνι: Το ταβάνι πρέπει να διατηρείται τελείως οριζόντιο και η υποδομή κατασκευής του ταβανιού (δομή, ξύλινες σανίδες και δοκοί συγκρατήσεως των σανίδων) πρέπει να ενισχύεται για να προστεθεί το ταβάνι από τις δονήσεις.
- (2) Κόψτε και αφαιρέσετε το τεμάχιο ταβανιού.
- (3) Ενισχύστε τις άκρες της υποδομής του ταβανιού εκεί που έχει κοπεί και προσθέστε ενισχυτικό υλικό ώστε να συγκρατούνται με ασφάλεια οι άκρες της πλάκας στήριξης.
- (4) Όταν η εγκατάσταση της εσωτερικής μονάδας γίνεται σε ταβάνι που έχει κλίση, χρησιμοποιήστε ένα υποστήλωμα ανάμεσα στο ταβάνι και τις γρίλιες ώστε η μονάδα να τοποθετηθεί οριζόντια.

- Ξύλινες κατασκευές
- Για την ενίσχυση, χρησιμοποιήστε τους δοκούς του ταβανιού (σε μονόροφα στίπια) ή τους δοκούς διόροφων κατοικιών (σε διόροφα στίπια).
- Οι ξύλινοι δοκοί για την ανάρτηση της μονάδας κλιματισμού πρέπει να είναι από συμπαγές ξύλο και οι πλευρές τους πρέπει να είναι τουλάχιστο 8 εκ. στο μήκος τους εάν η απόσταση μεταξύ των δοκών δεν είναι μεγαλύτερη των 90 εκ. Εάν η απόσταση μεταξύ των δοκών είναι περίπου 180 εκ. οι πλευρές των δοκών πρέπει να είναι τουλάχιστο 9 εκ. στο μήκος τους. Το μέγεθος των μπουλονιών ανάρτησης πρέπει να είναι διαμέτρου 10 χιλ. (3/8"). (Τα μπουλόνια δεν προμηθεύονται με τη μονάδα.)

• Διαρθρώσεις σιδηροπαγούς σκυροδέματος
Στερεώστε τα μπουλόνια των εξαρτημάτων ανάρτησης, εφαρμόζοντας τη μέθοδο όπως φαίνεται στο σχεδιάγραμμα ή χρησιμοποιήστε αστάινους ή ξυλίνους στύλους στήριξης, κλπ. για να τοποθετήσετε τα μπουλόνια ανάρτησης.

3.6. Τρόπος ανάρτησης της μονάδας (Fig. 3-6)

Αναρτήστε την κύρια μονάδα όπως φαίνεται στο διάγραμμα. Οι αριθμοί σε παρένθεση δείχνουν τις διαστάσεις στην περίπτωση εγκατάστασης του προαιρετικού καλύμματος πολλαπλών λειτουργιών.

1. Εκ των προτέρων, τοποθετήστε τα εξής μέρη στα μπουλόνια ανάρτησης με τη σειρά που αναφέρονται: ροδέλλες (με μόνωση), ροδέλλες (χωρίς μόνωση), μπουλόνια (διπλά).
2. Τοποθετήστε τις ροδέλλες με μόνωση, έτσι ώστε η μόνωση να βρίσκεται προς τα κάτω.
3. Στην περίπτωση που χρησιμοποιούνται πάνω ροδέλλες για την ανάρτηση της κύριας μονάδας, οι κάτω ροδέλλες (με μόνωση) και τα περικόχλια (διπλά) τοποθετούνται αργότερα.
2. Σηκώστε τη μονάδα στο ύψος των μπουλονιών ανάρτησης για να εισχωρήσει το ελασμα στήριξης μεταξύ των ροδέλλων και μετά σφίξτε το καλά.
3. Οι εγκοπές προσαρμογής του ελασματος στήριξης είναι κατασκευασμένες έτσι ώστε η κύρια μονάδα να μπορεί να ευθυγραμμίζεται (ή να εφαρμόζει) με το άνοιγμα υποδοχής της στο ταβάνι.
- Βεβαιωθείτε ότι το βήμα A εκτελείται μέσα στα όρια των 17-22 χλστ. Εάν δεν τηρούνται αυτά τα όρια υπάρχει κίνδυνος πτώσης. (Fig. 3-7)

Προσοχή:

Χρησιμοποιήστε το επάνω ήμισυ του κουτιού ως προστατευτικό κάλυμμα για να εμποδίσετε την είσοδο σκόνης και μικροσωματιδίων στο εσωτερικό της μονάδας πριν από την εγκατάσταση του διακοσμητικού καπακιού ή κατά την εφαρμογή των υλικών στην οροφή.

3.7. Επιβεβαίωση της Σωστής Θέσης Ανάρτησης της Κύριας Μονάδας και Σφίξιμο των Μπουλονιών Ανάρτησης (Fig. 3-8)

- Χρησιμοποιώντας το όργανο μετρήσεως που είναι προσαρτημένο στις γρίλιες, βεβαιωθείτε ότι η βάση της κύριας μονάδας είναι ευθυγραμμισμένη σωστά με το άνοιγμα στο ταβάνι. Πρέπει να βεβαιωθείτε ότι η μονάδα είναι σωστά ευθυγραμμισμένη, διαφορετικά μπορεί να προκληθεί υγρασία λόγω διαφυγής αέρα και να σπάσει νερό.
- Βεβαιωθείτε ότι η κύρια μονάδα είναι απόλυτα οριζοντιωμένη, χρησιμοποιώντας ένα αλφάδι ή ένα πλαστικό σωλήνα με νερό.
- Αφού ελέγξετε τη θέση της κύριας μονάδας, σφίξτε καλά τα παξιμάδια των μπουλονιών ανάρτησης για να στερεωθεί η κύρια μονάδα.
- Το χάρτινο αποτύπωμα εγκατάστασης (στο επάνω μέρος του πακέτου) μπορεί να χρησιμοποιηθεί ως προστατευτικό κάλυμμα της κεντρικής μονάδας ώστε να μην μπει σκόνη στο εσωτερικό της σε περίπτωση που δεν τοποθετηθούν οι γρίλιες για κάποιο χρονικό διάστημα ή όταν πρόκειται να γίνει επένδυση ή επισκευή της οροφής μετά την εγκατάσταση της μονάδας.
- * Λεπτομέρειες τοποθέτησης του χάρτινου αποτυπώματος είναι τυπωμένες πάνω σ' αυτό. (στο επάνω μέρος του πακέτου)

4. Εγκατάσταση της σωλήνωσης ψυκτικού υγρού

4.1. Προφυλάξεις

Για συσκευές που χρησιμοποιούν ψυκτικό R32/R410A

- Χρησιμοποιήστε συνθετικό βασικό λάδι (alkyl benzene) (μικρή ποσότητα) ως ψυκτικό λάδι για τα τμήματα με εκχείλωση.
- Χρησιμοποιήστε φωσφορούχο κρατέρωμα C1220 για τη σύνδεση των σωληνώσεων ψυκτικού, όταν έχετε χαλκοσωλήνες και σωλήνες κράματος χαλκού χωρίς ενώσεις. Χρησιμοποιείτε σωλήνες ψυκτικού με πάχος σύμφωνα με τις προδιαγραφές στον παρακάτω πίνακα. Βεβαιωθείτε ότι οι εσωτερικές επιφάνειες των σωληνών είναι καθαρές και δεν περιέχουν επικίνδυνες προσμίξεις όπως θειικές ενώσεις, οξειδωτικά, ρινίσματα ή σκόνη.

⚠ Προειδοποίηση:

Κατά την εγκατάσταση ή μετακίνηση, ή κατά τη συντήρηση του κλιματιστικού, χρησιμοποιείτε μόνο το ενδεδειγμένο ψυκτικό που αναγράφεται στην εξωτερική μονάδα για την πλήρωση των σωληνών ψυκτικού. Μην το αναμιγνύετε με άλλο ψυκτικό μέσο και μην αφήνετε τον αέρα να παραμείνει μέσα στις γραμμές.

Εάν αναμιχθεί αέρας με το ψυκτικό, ενδέχεται να προκαλέσει ασυνήθιστα υψηλή πίεση στη γραμμή ψυκτικού, με ενδεχόμενο έκρηξης και άλλους κινδύνους.

Η χρήση ψυκτικού διαφορετικού από αυτό που καθορίζεται για το σύστημα θα προκαλέσει μηχανική βλάβη ή δυσλειτουργία του συστήματος ή ζημιά στο σύστημα. Στη χειρότερη περίπτωση, μια τέτοια ενέργεια ενδέχεται να υπονομεύσει την ασφάλεια του προϊόντος.

ø6,35 πάχος 0,8 mm	ø9,52 πάχος 0,8 mm
ø12,7 πάχος 0,8 mm	ø15,88 πάχος 1,0 mm

- Μην χρησιμοποιείτε σωλήνες με πάχος μικρότερο από τις προδιαγραφές του παραπάνω πίνακα.

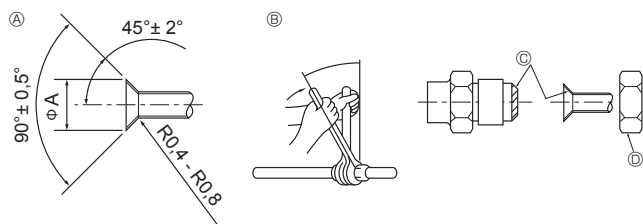


Fig. 4-1

Ⓐ Διαστάσεις εκχείλωσης

Διάμετρος χαλκοσωλήνα (mm)	Διαστάσεις εκχείλωσης Διάσταση øA (mm)
ø6,35	8,7 - 9,1
ø9,52	12,8 - 13,2
ø12,7	16,2 - 16,6
ø15,88	19,3 - 19,7

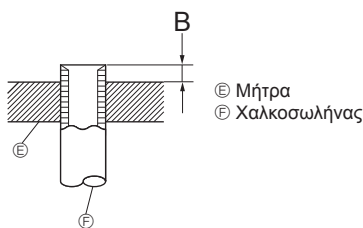


Fig. 4-2

Διάμετρος χαλκοσωλήνα (mm)	B (mm)	
	Εργαλείο διαπλάτυσης για R32/R410A	Τύπου σφιγκτήρα
ø6,35 (1/4")	0 - 0,5	
ø9,52 (3/8")	0 - 0,5	
ø12,7 (1/2")	0 - 0,5	
ø15,88 (5/8")	0 - 0,5	

4.2. Σωλήνες σύνδεσης (Fig. 4-1)

- Όταν είναι διαθέσιμοι στο εμπόριο χρησιμοποιούνται χαλκοσωλήνες, σπειροειδείς σωλήνες υγρού και αερίου με υλικό μόνωσης που διατίθεται στο εμπόριο (θερμική αντοχή έως 100 °C ή μεγαλύτερη, πάχος 12 χλστ. ή μεγαλύτερο).
- Πριν βιδώσετε το περικόχλιο εκχείλωσης απλώστε στο σωλήνα και στην κοινή επιφάνεια που επικαθεται λεπτό στρώμα από ψυκτικό λάδι.
- Χρησιμοποιήστε δύο κλειδιά για να σφίξετε τις συνδέσεις των σωληνών.
- Χρησιμοποιήστε το παρεχόμενο υλικό μόνωσης για τους σωλήνες ψυκτικού για να μονώσετε τις συνδέσεις στις σωληνώσεις της εσωτερικής μονάδας. Κάντε τη μόνωση προσεκτικά.
- Αφού συνδέσετε το σωλήνα ψυκτικού στην εσωτερική μονάδα, μην ξεχάσετε να ελέγξετε τις συνδέσεις του σωλήνα για τυχόν διαρροή με αέριο άζωτο. (Βεβαιωθείτε ότι δεν υπάρχει διαρροή ψυκτικού από τις σωληνώσεις του ψυκτικού προς την εσωτερική μονάδα.)
- Χρησιμοποιήστε το παξιμάδι εκχείλωσης που είναι εγκατεστημένο σε αυτήν την εσωτερική μονάδα.
- Στην περίπτωση επανασύνδεσης των σωληνών ψυκτικού μετά από αφαίρεση, ανακατασκευάστε το μέρος εκχείλωσης του σωλήνα.

Ⓑ Ροπή σύσφιξης για το περικόχλιο εκχείλωσης

Διάμετρος χαλκοσωλήνα (mm)	Διάμετρος περικοχλίου εκχείλωσης (mm)	Ροπή σύσφιξης (N·m)
ø6,35	17	14 - 18
ø6,35	22	34 - 42
ø9,52	22	34 - 42
ø12,7	26	49 - 61
ø15,88	29	68 - 82

Ⓒ Αλείψτε με ψυκτικό λάδι ολόκληρη την επιφάνεια στα διαπλατυσμένα τμήματα.

Ⓓ Χρησιμοποιήστε τα κατάλληλα παξιμάδια ρακόρ ανάλογα με το μέγεθος των σωληνώσεων της εξωτερικής μονάδας.

Διαθέσιμο μέγεθος σωλήνωσης

	SM71-140
Πλευρά υγρού	ø9,52 O
Πλευρά αερίου	ø15,88 O

O : Εργοστασιακό παξιμάδι ρακόρ, προσαρτημένο στον εναλλάκτη θερμότητας.

⚠ Προειδοποίηση:

- Προσέξτε να μην εκτιναχθεί το παξιμάδι εκχείλωσης! (εσωτερικά υπό πίεση) Αφαιρέστε το παξιμάδι εκχείλωσης ως εξής:
 1. Ξεσφίξτε το παξιμάδι έως ότου ακούσετε ένα συριστικό ήχο.
 2. Μην αφαιρείτε το παξιμάδι έως ότου το αέριο εκτονωθεί πλήρως (δηλαδή ο συριστικός ήχος σταματήσει).
 3. Βεβαιωθείτε ότι το αέριο έχει εκτονωθεί πλήρως και έπειτα, αφαιρέστε το παξιμάδι.
- Κατά την εγκατάσταση της μονάδας, συνδέστε με ασφάλεια τους σωλήνες ψυκτικού πριν θέσετε σε λειτουργία το συμπιεστή.

4. Εγκατάσταση της σωλήνωσης ψυκτικού υγρού

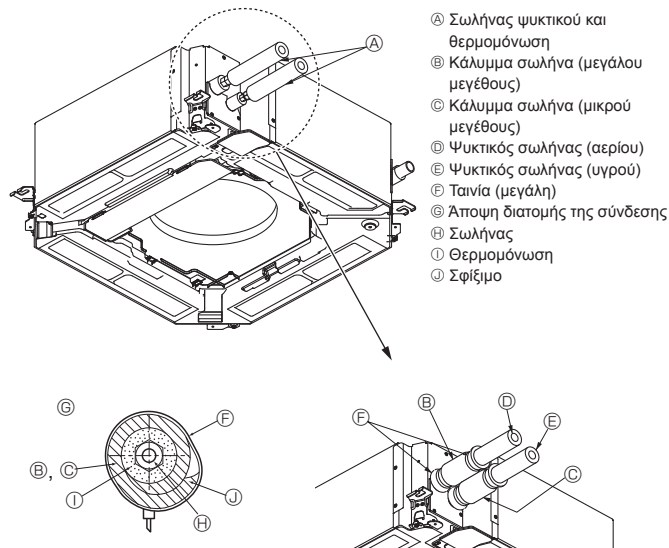


Fig. 4-3

Θερμομόνωση για σωλήνες ψυκτικού (Fig. 4-3)

- 1 Περιτυλίξτε το προμηθευόμενο φαρδύ κολάρο γύρω από τον σωλήνα αερίου και βεβαιωθείτε ότι η άκρη του κολάρου ακουμπάει στην πλευρά της μονάδας.
- 2 Περιτυλίξτε το προμηθευόμενο μικρό κολάρο γύρω από το σωλήνα υγρού και βεβαιωθείτε ότι η άκρη του κολάρου ακουμπάει στην πλευρά της μονάδας.
- 3 Ασφαλίστε και τα δύο άκρα του κολάρου με τους προμηθευόμενους σφιγκτήρες. (Τοποθετήστε τους σφιγκτήρες 20 mm από την άκρη του κολάρου.)

4.3. Για διπλό συνδυασμό

Ανατρέξτε στο εγχειρίδιο εγκατάστασης της εξωτερικής μονάδας.

Κάποιες εξωτερικές μονάδες δεν μπορούν να χρησιμοποιηθούν σε ταυτόχρονο διπλό σύστημα.

5. Εργασίες Σωληνώσεων Αποχέτευσης

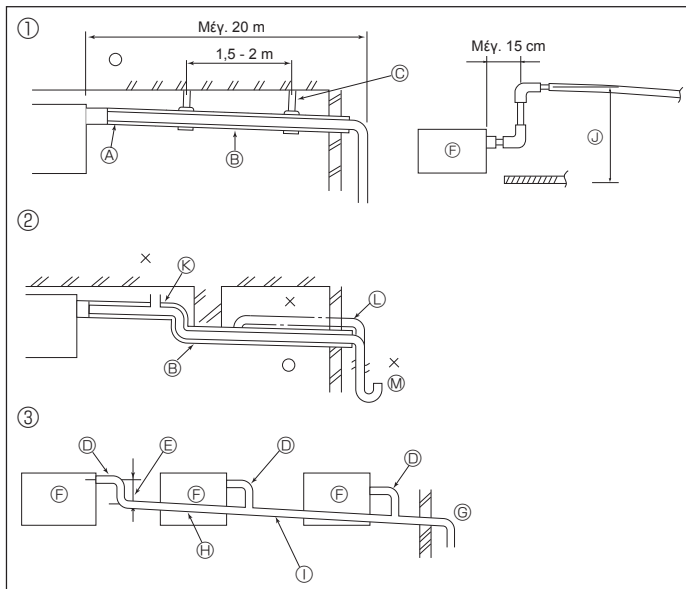


Fig. 5-1

5.1. Εργασίες Σωληνώσεων Αποχέτευσης (Fig. 5-1)

- Τα εσωτερικά εξαρτήματα του σωλήνα αποστράγγισης πρέπει να περιτυλιγονται με μονωτικό αφρό πολυαιθυλαίνιου (ειδικό βάρος 0,03, πάχος 9 χλστ. ή μεγαλύτερο).
 - Για τη σωλήνωση αποχέτευσης χρησιμοποιείτε σωλήνες VP25 (Σωλήνας PVC, O.D. \varnothing 32) και δώστε κλίση προς τα κάτω 1/100 ή περισσότερη.
 - Βφροντίστε να στερεώσετε τις ενώσεις των σωληνώσεων με κολλητική ουσία από πολυβινύλιο.
 - Για την τοποθέτηση των σωληνώσεων παρατηρήστε την εικόνα.
 - Χρησιμοποιήστε τον παρεχόμενο σωλήνα αποχέτευσης για να αλλάξετε την κατεύθυνση εκροής.
 - Κατά την εκτέλεση των εργασιών για τη σωλήνωση αποστράγγισης, φροντίστε να χρησιμοποιείτε τα μεταλλικά στηρίγματα.
- Εάν κάποιο φορτίο εφαρμοστεί στην υποδοχή αποστράγγισης και προκαλέσει ζημιά στον εύκαμπτο σωλήνα ή οδηγήσει σε απόσπαση του εύκαμπτου σωλήνα, ενδέχεται να προκληθεί διαρροή νερού.

- | | |
|---|---|
| ① Σωστή σωλίνωση | Ⓞ Για ομαδοποιημένη σωλήνωση το μέγεθος της σωλήνωσης είναι μεγάλο |
| ② Λανθασμένη σωλήνωση | Ⓢ Κλίση προς τα κάτω (1/100 ή περισσότερο) |
| ③ Ομαδοποιημένη σωλήνωση | ① Σωλήνας PVC, O.D. \varnothing 38 για ομαδοποιημένη σωλήνωση (μόνωση 9 mm ή περισσότερο) |
| Ⓐ Μόνωση (9 mm ή περισσότερο) | ② Σωλήνας PVC, O.D. \varnothing 32 |
| Ⓑ Κλίση προς τα κάτω (1/100 ή περισσότερο) | Ⓚ Άνοιγμα εξαερισμού |
| Ⓒ Μεταλλικό υποστήριγμα | Ⓛ Ανυψωμένο |
| Ⓓ Σωλήνας PVC, O.D. \varnothing 32 | Ⓜ Σιφώνι οσμής |
| Ⓔ Πρέπει να είναι όσο είναι δυνατό μεγαλύτερη (περίπου 10 cm) | |
| Ⓕ Κύρια μονάδα | |

1. Συνδέστε τον ακροσύνδεσμο αποχέτευσης (που παρέχεται μαζί με τη μονάδα) στο άνοιγμα αποστράγγισης. (Fig. 5-2)
(Προσαρμόστε τον σωλήνα χρησιμοποιώντας αυτοκόλλητο PVC και ασφαλίστε τον με την ταινία.)
2. Τοποθετήστε έναν σωλήνα αποστράγγισης, που έχετε προηγουμένως προμηθευτεί από τη γειτονιά σας. (Σωλήνας PVC, O.D. \varnothing 32)
(Προσαρμόστε τη σωλήνα χρησιμοποιώντας αυτοκόλλητο PVC και στερεώστε την με την ταινία.)
3. Ελέγξτε ότι η αποστράγγιση γίνεται ομαλά.
4. Μονώστε το άνοιγμα αποστράγγισης και την υποδοχή με μονωτικό υλικό και, στη συνέχεια, στερεώστε το υλικό με ταινία. (Μονωτικό υλικό καθώς και ταινία παρέχονται μαζί με την μονάδα.)
5. Μονώστε τον αγωγό και τη σωλήνα. (Σωλήνας PVC, O.D. \varnothing 32)

- | | |
|----------------------------------|--|
| Ⓐ Κύρια μονάδα | Ⓞ Σωλήνα αποστράγγισης (Σωλήνας PVC, O.D. \varnothing 32) |
| Ⓑ Μονωτικό υλικό | Ⓢ Μονωτικό υλικό (προμηθευμένο από την γειτονιά σας) |
| Ⓒ Ταινία (μεγάλη) | ① Διαυγής σωλήνας PVC |
| Ⓓ Αγωγός αποστράγγισης (διαυγής) | ② Σωλήνας PVC, O.D. \varnothing 32 (Κλίση 1/100 ή περισσότερο) |
| Ⓔ Άκρη εσοχής | Ⓚ Ακροσύνδεσμος αποχέτευσης |
| Ⓕ Προσαρμογή | |

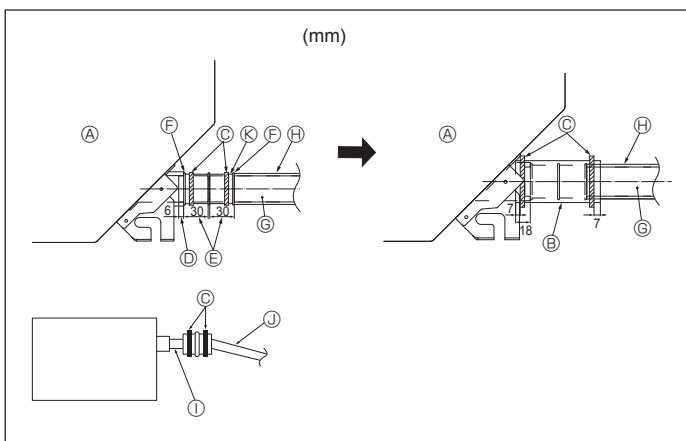


Fig. 5-2

6. Ηλεκτρικές εργασίες

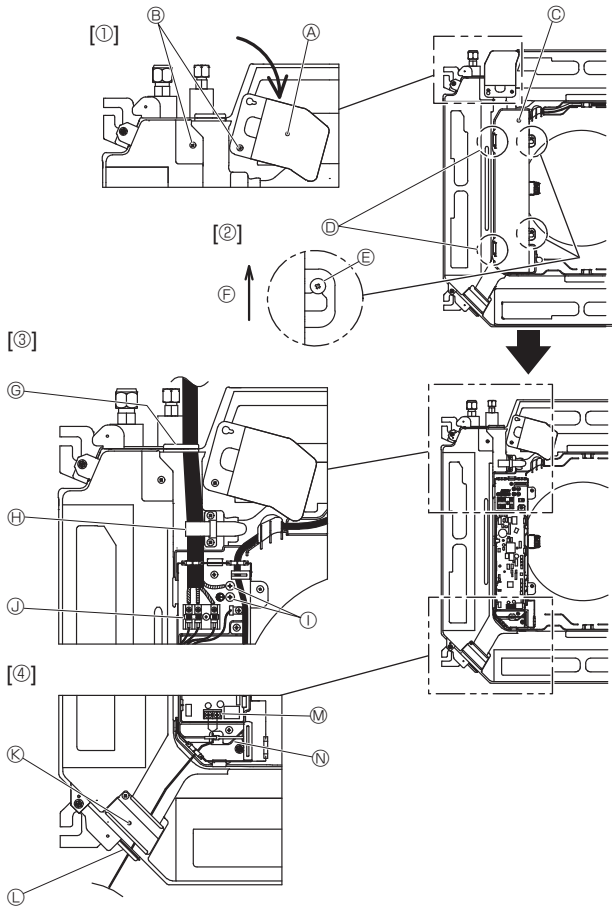


Fig. 6-1

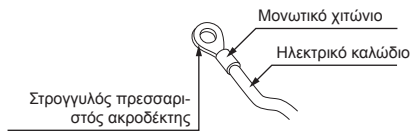


Fig. 6-2

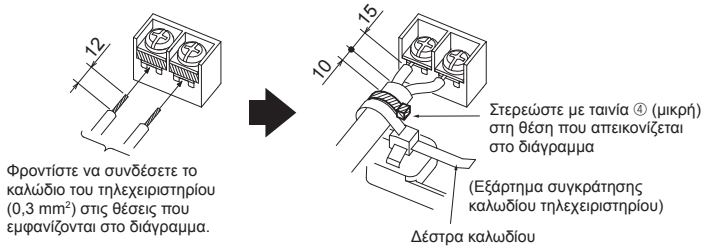


Fig. 6-3

<Κατά τη σύνδεση δύο καλωδίων σύνδεσης εσωτερικής-εξωτερικής μονάδας>

- Εάν τα καλώδια έχουν την ίδια διάμετρο, εισαγάγετέ τα μέσα στις εγκοπές στις δύο πλευρές.
- Εάν τα καλώδια έχουν διαφορετικές διαμέτρους, εισαγάγετέ τα στη μία πλευρά σε ξεχωριστούς χώρους, με το ένα καλώδιο πάνω από το άλλο.

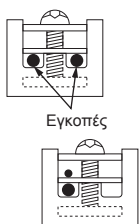


Fig. 6-5

6.1. Indoor unit (Fig. 6-1)

1. Ξεσφίξτε τις δύο βίδες που ασφαλίζουν το πλαίσιο συντήρησης της ηλεκτρικής καλωδίωσης και, έπειτα, στρέψτε το πλαίσιο συντήρησης. [Fig. 6-1 ①]
2. Ξεσφίξτε τις δύο βίδες που ασφαλίζουν το κάλυμμα του ηλεκτρικού κουτιού και, έπειτα, σύρετε το κάλυμμα. [Fig. 6-1 ②]
3. Περάστε το καλώδιο τροφοδοσίας, το καλώδιο σύνδεσης εσωτερικής/εξωτερικής μονάδας και το καλώδιο γείωσης μέσω των εισόδων καλωδίωσης που αναφέρονται στο διάγραμμα. [Fig. 6-1 ③]
Τοποθετήστε το καλυμμένο τμήμα του καλωδίου τροφοδοσίας και του καλωδίου σύνδεσης εσωτερικής/εξωτερικής μονάδας στο ηλεκτρικό κιβώτιο. Χρησιμοποιήστε στρογγυλούς πρεσαριστούς ακροδέκτες για τον ακροδέκτη σύνδεσης εσωτερικής-εξωτερικής μονάδας και το προαιρετικό kit ακροδεκτών παροχής ισχύος. [Fig. 6-2]
Εάν δεν μπορείτε να χρησιμοποιήσετε στρογγυλούς πρεσαριστούς ακροδέκτες, ακολουθήστε τη διαδικασία στην Fig. 6-3~6-6.
Για τη σύνδεση ανατρέξτε στα σχήματα 6.1.1 και 6.1.2.
4. Περάστε και συνδέστε το καλώδιο τηλεχειριστήριου μέσω των αντίστοιχων εισόδων που δίνονται στο διάγραμμα. [Fig. 6-1 ④, Fig. 6-3]
Για τη σύνδεση ανατρέξτε στα σχήματα 6.1.1 και 6.1.2.

Ροπή σύσφιξης βίδας

	Ροπή σύσφιξης (N·m)
Πλακέτα ακροδεκτών τηλεχειριστήριου	1,2 ± 0,1
Πλακέτα ακροδεκτών σύνδεσης εσωτερικής-εξωτερικής μονάδας	1,6 ± 0,1
Καλώδιο γείωσης	1,6 ± 0,1

- Αφήστε περίσσεια καλωδίου ώστε το ηλεκτρικό κουτί να μπορεί να αναρτηθεί κάτω από τη μονάδα κατά τη διάρκεια των εργασιών συντήρησης (περίπου 50 έως 100 mm).
 - ① Πλαίσιο συντήρησης ηλεκτρικής καλωδίωσης
 - ② Βίδα
 - ③ Κάλυμμα ηλεκτρικού κουτιού
 - ④ Προσωρινό άγκιστρο για το κάλυμμα ηλεκτρικού κουτιού
 - ⑤ Βίδα
 - ⑥ Κατεύθυνση αφαίρεσης του καλύμματος ηλεκτρικού κουτιού
 - ⑦ Είσοδος για καλώδιο ισχύος και καλώδιο σύνδεσης εσωτερικής/εξωτερικής μονάδας
 - ⑧ Ασφάλιση με κολάρο καλωδίου.
 - ⑨ Καλώδιο γείωσης
 - ⑩ Ακροδέκτες σύνδεσης εσωτερικής/εξωτερικής μονάδας
 - ⑪ Πλαίσιο συντήρησης ηλεκτρικής καλωδίωσης (τηλεχειριστήριο)
 - ⑫ Είσοδος για ενσύρματο τηλεχειριστήριο
 - ⑬ Ακροδέκτης ενσύρματου τηλεχειριστήριου
 - ⑭ Ασφάλιση με κολάρο καλωδίου.

⚠ Προσοχή:

- Η σύνδεση για το καλώδιο του τηλεχειριστήριου θα πρέπει να βρίσκεται μακριά (5 cm ή περισσότερο) από την καλωδίωση παροχής ρεύματος, ώστε να μην επηρεάζεται από ηλεκτρικό θόρυβο από την καλωδίωση της τροφοδοσίας.

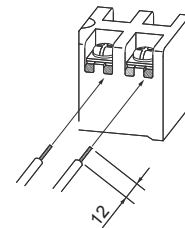


Fig. 6-4

- Το αυλάκι σχήματος U ανοίγει εάν ωθήσετε την κεφαλή της βίδας αφού ξεσφίξετε τη βίδα.

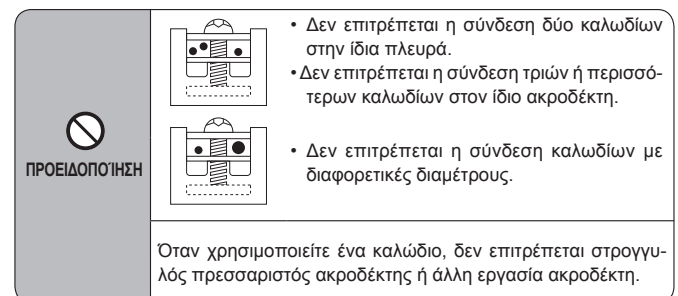


Fig. 6-6

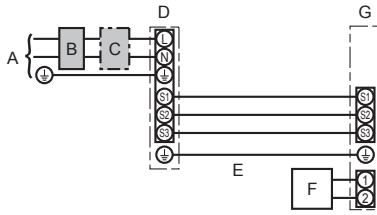
6. Ηλεκτρικές εργασίες

6.1.1. Η εσωτερική μονάδα τροφοδοτείται με ρεύμα από την εξωτερική

Είναι διαθέσιμοι οι παρακάτω τρόποι σύνδεσης.

Υπάρχουν διάφορα μοντέλα υποδειγμάτων εξωτερικής ηλεκτρικής παροχής.

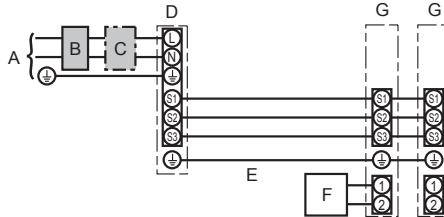
Σύστημα 1:1



- A Τροφοδοσία ρεύματος εξωτερικής μονάδας
- B Αυτόματος διακόπτης απορροής γείωσης
- C Γενικός διακόπτης κυκλώματος καλωδίων ή διακόπτης απομόνωσης
- D Εξωτερική μονάδα
- E Καλώδια σύνδεσης εσωτερικής/εξωτερικής μονάδας
- F Τηλεχειριστήριο
- G Εσωτερική μονάδα

* Κολλήστε την ετικέτα A, που περιέχεται στα εγχειρίδια, πλάι σε κάθε διάγραμμα καλωδίωσης των εσωτερικών και εξωτερικών μονάδων.

Διπλό σύστημα ταυτόχρονης λειτουργίας



- A Τροφοδοσία ρεύματος εξωτερικής μονάδας
- B Αυτόματος διακόπτης απορροής γείωσης
- C Γενικός διακόπτης κυκλώματος καλωδίων ή διακόπτης απομόνωσης
- D Εξωτερική μονάδα
- E Καλώδια σύνδεσης εσωτερικής/εξωτερικής μονάδας
- F Τηλεχειριστήριο
- G Εσωτερική μονάδα

* Κολλήστε την ετικέτα A, που περιέχεται στα εγχειρίδια, πλάι σε κάθε διάγραμμα καλωδίωσης των εσωτερικών και εξωτερικών μονάδων.

Σημείωση:

Κάποιες μονάδες δεν μπορούν να χρησιμοποιηθούν σε ταυτόχρονο διπλό σύστημα. Για λεπτομέρειες, ανατρέξτε στο εγχειρίδιο εγκατάστασης της εξωτερικής μονάδας.

Μοντέλο εσωτερικής μονάδας		PLA	
Καλωδίωση Καλώδιωση No. x μέγεθος (mm ²)	Εσωτερική μονάδα-Εξωτερική μονάδα	*1	3 x 1,5 (πολικότητα)
	Γείωση εσωτερικής μονάδας - εξωτερικής μονάδας	*1	1 x Ελάχιστο.1,5
	Γείωση εσωτερικής μονάδας		1 x Ελάχιστο.1,5
	Σύνδεση τηλεχειριστηρίου/εσωτερικής μονάδας	*2	2 x 0,3 (πολικότητα)
Ονομαστική ισχύς κυκλώματος	Εσωτερική μονάδα (Θέρμανση) L-N	*3	—
	Εσωτερική μονάδα-Εξωτερική μονάδα S1-S2	*3	230 VAC
	Εσωτερική μονάδα-Εξωτερική μονάδα S2-S3	*3	24 VDC
	Σύνδεση τηλεχειριστηρίου/εσωτερικής μονάδας	*3	12 VDC

*1. <Για εφαρμογή εξωτερικής μονάδας 71-140>

Μεγ. 45 m

Εάν χρησιμοποιείτε 2,5 mm², Μεγ. 50 m

Εάν χρησιμοποιείτε 2,5 mm² και S3 ξεχωριστά, Μεγ. 80 m

*2. Μέγιστο. 500 m

(Όταν χρησιμοποιείτε 2 τηλεχειριστήρια, το μέγιστο μήκος για τα καλώδια του τηλεχειριστηρίου είναι 200 m).

*3. Οι τιμές ΔΕΝ λαμβάνονται πάντοτε ως προς τη γείωση.

Ο ακροδέκτης S3 έχει διαφορά τάσης 24 V DC ως προς τον ακροδέκτη S2. Μεταξύ των ακροδεκτών S3 και S1, δεν υπάρχει ηλεκτρική μόνωση από το μετασχηματιστή ή άλλη συσκευή.

Σημειώσεις: 1. Οι διαστάσεις των καλωδίων πρέπει να συμμορφώνονται με τον ισχύοντα τοπικό και εθνικό κώδικα.

2. Το καλώδιο τροφοδοσίας και τα καλώδια σύνδεσης εσωτερικής/εξωτερικής μονάδας δεν θα πρέπει να είναι το ίδιο ή περισσότερο ελαφριά από το εύκαμπτο καλώδιο με περίβλημα πολυχλωροπρενίου (σχέδιο 60245 IEC 57).

3. Εγκαταστήστε μια γείωση μεγαλύτερη από τα άλλα καλώδια.

4. Τα καλώδια σύνδεσης εσωτερικής και εξωτερικής μονάδας έχουν πολικότητες. Φροντίστε να αντιστοιχίσετε τον αριθμό ακροδέκτη (S1, S2, S3) για τη σωστή καλωδίωση.

5. Η σύνδεση για το καλώδιο του τηλεχειριστηρίου θα πρέπει να βρίσκεται μακριά (5 cm ή περισσότερο) από την καλωδίωση παροχής ρεύματος, ώστε να μην επηρεάζεται από ηλεκτρικό θόρυβο από την καλωδίωση της τροφοδοσίας.

⚠ Προειδοποίηση:

Ποτέ μη συγκολλήσετε το καλώδιο τροφοδοσίας ή το καλώδιο σύνδεσης εσωτερικής-εξωτερικής μονάδας, διαφορετικά μπορεί να προκληθεί καπνός, πυρκαγιά ή σφάλμα επικοινωνίας.

6. Ηλεκτρικές εργασίες

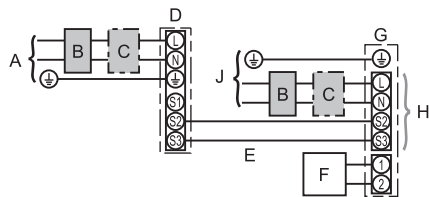
6.1.2. Ξεχωριστή τροφοδοσία ρεύματος εσωτερικής/εξωτερικής μονάδας(μόνο για εφαρμογές PУHΖ)

Είναι διαθέσιμοι οι παρακάτω τρόποι σύνδεσης.

Υπάρχουν διάφορα μοντέλα υποδειγμάτων εξωτερικής ηλεκτρικής παροχής.

Σύστημα 1:1

* Χρειάζεστε τα κιτ εσωτερικού ακροδέκτη τροφοδοσίας ρεύματος.

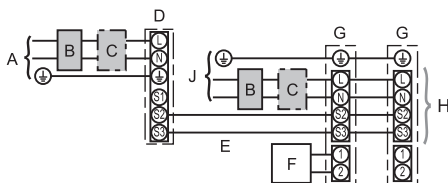


- A Τροφοδοσία ρεύματος εξωτερικής μονάδας
- B Αυτόματος διακόπτης απορροής γείωσης
- C Γενικός διακόπτης κυκλώματος καλωδίων ή διακόπτης απομόνωσης
- D Εξωτερική μονάδα
- E Καλώδια σύνδεσης εσωτερικής/εξωτερικής μονάδας
- F Τηλεχειριστήριο
- G Εσωτερική μονάδα
- H Προαιρετικό
- J Τροφοδοσία ρεύματος εσωτερικής μονάδας

* Κολλήστε την ετικέτα B, που περιέχεται στα εγχειρίδια, πλάι σε κάθε διάγραμμα καλωδίωσης των εσωτερικών και εξωτερικών μονάδων.

Διπλό σύστημα ταυτόχρονης λειτουργίας

* Χρειάζεστε τα κιτ εσωτερικού ακροδέκτη τροφοδοσίας ρεύματος.



- A Τροφοδοσία ρεύματος εξωτερικής μονάδας
- B Αυτόματος διακόπτης απορροής γείωσης
- C Γενικός διακόπτης κυκλώματος καλωδίων ή διακόπτης απομόνωσης
- D Εξωτερική μονάδα
- E Καλώδια σύνδεσης εσωτερικής/εξωτερικής μονάδας
- F Τηλεχειριστήριο
- G Εσωτερική μονάδα
- H Προαιρετικό
- J Τροφοδοσία ρεύματος εσωτερικής μονάδας

* Κολλήστε την ετικέτα B, που περιέχεται στα εγχειρίδια, πλάι σε κάθε διάγραμμα καλωδίωσης των εσωτερικών και εξωτερικών μονάδων.

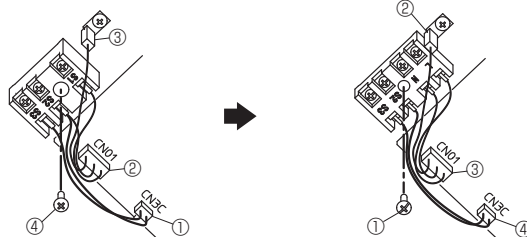
Σημείωση:

Κάποιες μονάδες δεν μπορούν να χρησιμοποιηθούν σε ταυτόχρονο διπλό/τριπλό σύστημα. Για λεπτομέρειες, ανατρέξτε στο εγχειρίδιο εγκατάστασης της εξωτερικής μονάδας.

Εάν οι εσωτερικές και εξωτερικές μονάδες έχουν ξεχωριστές παροχές ρεύματος, ανατρέξτε στον παρακάτω πίνακα. Αν χρησιμοποιήσετε το κιτ εσωτερικού ακροδέκτη τροφοδοσίας ρεύματος, αλλάξτε την καλωδίωση του ηλεκτρικού κιβωτίου της εσωτερικής μονάδας σύμφωνα με το σχήμα δεξιά και τις ρυθμίσεις του διακόπτη DIP του πίνακα ελέγχου της εξωτερικής μονάδας.

Κιτ εσωτερικού ακροδέκτη τροφοδοσίας ρεύματος (προαιρετικό)	Απαιτείται								
Αλλαγή σύνδεσης βύσματος ηλεκτρικού κουτιού εσωτερικής μονάδας	Απαιτείται								
Στερεωμένη ετικέτα δίπλα σε κάθε διάγραμμα καλωδίωσης για τις εσωτερικές και τις εξωτερικές μονάδες	Απαιτείται								
Ρυθμίσεις διακόπτη DIP εξωτερικής μονάδας (μόνο εάν χρησιμοποιείτε ξεχωριστές παροχές ρεύματος εσωτερικής/εξωτερικής μονάδας)	<table border="1" style="margin-left: auto; margin-right: auto;"> <tr> <td>ON</td> <td></td> <td></td> <td style="border: 2px solid black;">3</td> </tr> <tr> <td>OFF</td> <td>1</td> <td>2</td> <td></td> </tr> </table> <p style="text-align: center;">Ρυθμίστε το SW8-3 στο ON.</p>	ON			3	OFF	1	2	
ON			3						
OFF	1	2							

<Αντικατάσταση του μπλοκ ακροδεκτών της εσωτερικής μονάδας>



- ① Αποσυνδέστε τον συνδετήρα CN3C (μπλε) από την πλακέτα ελεγκτή εσωτερικής μονάδας.
- ② Αποσυνδέστε τον συνδετήρα CN01 (μαύρο) από την πλακέτα ελεγκτή εσωτερικής μονάδας.
- ③ Αποσυνδέστε τον ακροδέκτη πτερυγίου.
- ④ Αφαιρέστε τη βίδα από το μπλοκ ακροδεκτών.

- Εγκαταστήστε το προαιρετικό κιτ ακροδεκτών παροχής ισχύος. Για λεπτομέρειες ανατρέξτε στο εγχειρίδιο εγκατάστασης που παρέχεται μαζί με το προαιρετικό κιτ ακροδεκτών παροχής ισχύος.
- ① Ασφαλίστε το μπλοκ ακροδεκτών με τη βίδα.
 - ② Εισαγάγετε τον ακροδέκτη πτερυγίου.
 - ③ Συνδέστε τον συνδετήρα CN01 (μαύρο) στην πλακέτα ελεγκτή εσωτερικής μονάδας.
 - ④ Συνδέστε τον συνδετήρα CN3C (μπλε) στην πλακέτα ελεγκτή εσωτερικής μονάδας.

* Υπάρχουν 3 τύποι ετικετών(ετικέτες A, B και C). Κολλήστε στις μονάδες τις κατάλληλες ετικέτες, ανάλογα με τη μέθοδο καλωδίωσης.

Μοντέλο εσωτερικής μονάδας	PLA
Ηλεκτρική παροχή εσωτερικής μονάδας	~/N (Μονή), 50 Hz, 230 V
Ικανότητα εισόδου εσωτερικής μονάδας	*1 16 A
Κεντρικός διακόπτης (Ασφάλεια)	
Καλωδίωση Καλώδιο No. x μέγεθος (mm ²)	Ηλεκτρική παροχή εσωτερικής μονάδας & Γείωση ηλεκτρικής παροχής εσωτερικής μονάδας
	3 x Ελάχιστο. 1,5
	Εσωτερική μονάδα-Εξωτερική μονάδα
	*2 2 x Ελάχιστο. 0,3
	Γείωση εσωτερικής μονάδας - εξωτερικής μονάδας
	-
	Σύνδεση τηλεχειριστηρίου/εσωτερικής μονάδας
	*3 2 x 0,3 (χωρίς πολικότητα)
Ονομαστική ισχύς κυκλώματος	Εσωτερική μονάδα L-N
	*4 230 VAC
	Εσωτερική μονάδα-Εξωτερική μονάδα S1-S2
	*4 -
	Εσωτερική μονάδα-Εξωτερική μονάδα S2-S3
	*4 24 VDC
	Σύνδεση τηλεχειριστηρίου/εσωτερικής μονάδας
	*4 12 VDC

*1. Χρησιμοποιήστε διακόπτη διαρροής προς γη (NV) με διάκενο τουλάχιστον 3,0 mm σε κάθε πόλο. Ο διακόπτης θα παρέχεται για να διασφαλίσει την αποσύνδεση όλων των ενεργών αγωγών φάσης της τροφοδοσίας.

*2. Μέγιστο. 120 m

*3. Μέγιστο. 500 m

(Όταν χρησιμοποιείτε 2 τηλεχειριστήρια, το μέγιστο μήκος για τα καλώδια του τηλεχειριστηρίου είναι 200 m).

*4. Οι τιμές ΔΕΝ λαμβάνονται πάντοτε ως προς τη γείωση.

Σημειώσεις: 1. Οι διαστάσεις των καλωδίων πρέπει να συμμορφώνονται με τον ισχύοντα τοπικό και εθνικό κώδικα.

2. Το καλώδιο τροφοδοσίας και τα καλώδια σύνδεσης εσωτερικής/εξωτερικής μονάδας δεν θα πρέπει να είναι το ίδιο ή περισσότερο ελαφριά από το εύκαμπο καλώδιο με περίβλημα πολυχλωροπρενίου (σχέδιο 60245 IEC 57).

3. Εγκαταστήστε μια γείωση μεγαλύτερη από τα άλλα καλώδια.

4. Η σύνδεση για το καλώδιο του τηλεχειριστηρίου θα πρέπει να βρίσκεται μακριά (5 cm ή περισσότερο) από την καλωδίωση παροχής ρεύματος, ώστε να μην επηρεάζεται από ηλεκτρικό θόρυβο από την καλωδίωση της τροφοδοσίας.

⚠ Προειδοποίηση:

Ποτέ μη συγκολλήσετε το καλώδιο τροφοδοσίας ή το καλώδιο σύνδεσης εσωτερικής-εξωτερικής μονάδας, διαφορετικά μπορεί να προκληθεί καπνός, πυρκαγιά ή σφάλμα επικοινωνίας.

6. Ηλεκτρικές εργασίες

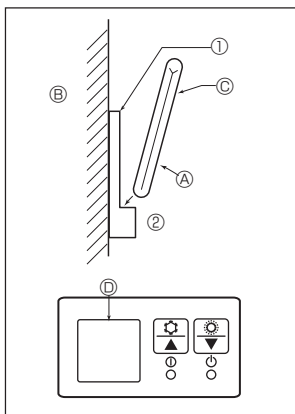


Fig. 6-7

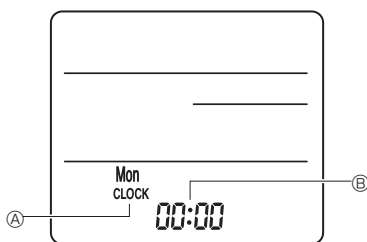


Fig. 6-8

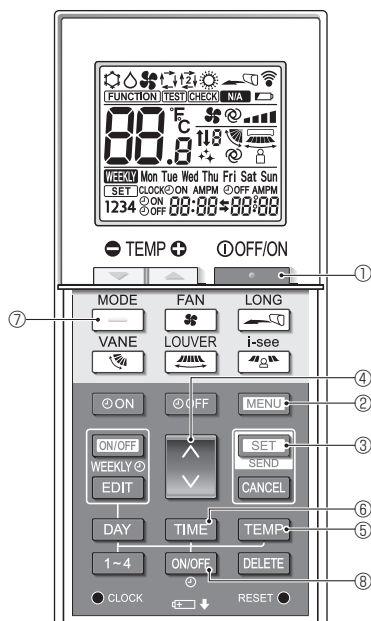


Fig. 6-9

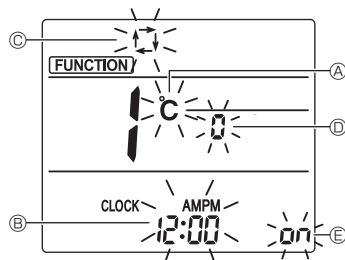


Fig. 6-10

6.2. Τηλεχειριστήριο

6.2.1. Για ενσύρματο τηλεχειριστήριο

1) Ρυθμίσεις δύο τηλεχειριστηρίων

Αν συνδεθούν δύο τηλεχειριστήρια, ρυθμίστε το ένα ως "Κύριο" και το άλλο ως "Δευτερεύον". Για τις διαδικασίες ρύθμισης, ανατρέξτε στην ενότητα "Επιλογή λειτουργίας" στο εγχειρίδιο λειτουργίας της εσωτερικής μονάδας.

6.2.2. Για ασύρματο τηλεχειριστήριο

1) Περιοχή εγκατάστασης

- Περιοχή στην οποία το τηλεχειριστήριο δεν εκτίθεται στις ακτίνες του ήλιου.
- Περιοχή στην οποία δεν υπάρχει γειτονική πηγή θερμότητας.
- Περιοχή στην οποία το τηλεχειριστήριο δεν εκτίθεται σε κρύα (ή ζεστά) ρεύματα αέρα.
- Περιοχή στην οποία ο χειρισμός του τηλεχειριστηρίου μπορεί να γίνεται εύκολα.
- Περιοχή στην οποία το τηλεχειριστήριο δεν μπορούν να το φτάσουν παιδιά.

2) Μέθοδος εγκατάστασης (Fig. 6-7)

- 1) Προσαρτήστε τη βάση του τηλεχειριστηρίου στην επιθυμητή θέση, χρησιμοποιώντας 2 λαμαρινόβιδες.
- 2) Τοποθετήστε το κάτω άκρο του χειριστηρίου μέσα στη βάση.
 - Α Τηλεχειριστήριο Β Τοίχος Γ Πλαίσιο οθόνης Δ Δέκτης
- Το σήμα μπορεί να μεταδοθεί σε απόσταση περίπου 7 μέτρων (σε ευθεία γραμμή), εντός 45 μοιρών προς τα δεξιά και προς τα αριστερά από τη κεντρική γραμμή του δέκτη.

3) Ρύθμιση (Ρύθμιση ρολογιού) (Fig. 6-8)

- 1) Τοποθετήστε τις μπαταρίες ή πατήστε το κουμπί **CLOCK** με ένα μυτερό αντικείμενο. Αναβοσβήνουν οι ενδείξεις [CLOCK] (Ρολόι) Α και [:] Β.
- 2) Πατήστε το κουμπί **RESET** με ένα μυτερό αντικείμενο.
- 3) Πατήστε το κουμπί **▲** για να ρυθμίσετε την ώρα. Πατήστε το κουμπί **DAY** για να ρυθμίσετε την ημέρα.
- 4) Πατήστε το κουμπί **CLOCK** με ένα αντικείμενο με μυτερό άκρο. Οι ενδείξεις [CLOCK] (Ρολόι) και [:] είναι αναμμένες.

4) Αρχική ρύθμιση

Στην κατάσταση λειτουργίας αρχικής ρύθμισης μπορείτε να πραγματοποιήσετε τις ακόλουθες ρυθμίσεις.

Στοιχείο	Ρύθμιση	Fig. 6-10
Μονάδα θερμοκρασίας	°C/°F	Α
Ένδειξη ώρας	12ωρη μορφή/24ωρη μορφή	Β
Κατάσταση λειτουργίας AUTO (Αυτόματη)	Μονό σημείο ρύθμισης/Διπλό σημείο ρύθμισης	Γ
Αρ. ζεύγους	0-3	Δ
Οπίσθιος φωτισμός	On/Off	Ε

4-1. Αλλαγή στην κατάσταση λειτουργίας αρχικής ρύθμισης

1. Πατήστε το κουμπί **1** για να σταματήσετε το κλιματιστικό.
2. Πατήστε το κουμπί **MENU**.
- Θα εμφανιστεί η οθόνη ρύθμισης λειτουργίας και θα αναβοσβήσει ο αρ. λειτουργίας Α. (Fig. 6-9)
3. Πατήστε το κουμπί **▲** για να αλλάξετε τον αρ. λειτουργίας.
4. Βεβαιωθείτε ότι εμφανίζεται ο αρ. λειτουργίας "1" και, στη συνέχεια, πατήστε το κουμπί **SET**.
- Θα εμφανιστεί η οθόνη ρύθμισης ενδείξεων. (Fig. 6-10)

4-2. Αλλαγή της μονάδας θερμοκρασίας

1. Πατήστε το κουμπί **TEMP**.
- Κάθε φορά που πατάτε το κουμπί **TEMP**, η ρύθμιση αλλάζει μεταξύ °C και °F. °C: Η θερμοκρασία εμφανίζεται σε βαθμούς Κελσίου. °F: Η θερμοκρασία εμφανίζεται σε βαθμούς Φαρενάιτ.

4-3. Αλλαγή της ένδειξης ώρας

1. Πατήστε το κουμπί **TIME**.
- Κάθε φορά που πατάτε το κουμπί **TIME**, η ρύθμιση αλλάζει μεταξύ 12:00 και 24:00. 12:00: Η ώρα εμφανίζεται στη 12ωρη μορφή. 24:00: Η ώρα εμφανίζεται στην 24ωρη μορφή.

4-4. Αλλαγή της κατάστασης λειτουργίας AUTO (Αυτόματη)

1. Πατήστε το κουμπί **1**.
- Κάθε φορά που πατάτε το κουμπί **1**, η ρύθμιση αλλάζει μεταξύ 1 και 2. 1: Η κατάσταση λειτουργίας AUTO (Αυτόματη) λειτουργεί ως η συνήθης αυτόματη κατάσταση λειτουργίας. 2: Η κατάσταση λειτουργίας AUTO (Αυτόματη) λειτουργεί με τη χρήση διπλών σημείων ρύθμισης.

4-5. Αλλαγή του αρ. ζεύγους

1. Πατήστε το κουμπί **▲**.
- Κάθε φορά που πατάτε το κουμπί **▲**, αλλάζει ο αρ. ζεύγους 0-3.

Αριθμός ζεύγους ασύρματου τηλεχειριστηρίου	Πλακέτα PC εσωτερικής μονάδας
0	Αρχική ρύθμιση
1	Cut J41
2	Cut J42
3	Cut J41, J42

4-6. Αλλαγή της ρύθμισης οπίσθιου φωτισμού

1. Πατήστε το κουμπί **ON/OFF**.
- Κάθε φορά που πατάτε το κουμπί **ON/OFF**, η ρύθμιση αλλάζει μεταξύ ON και OFF. ON: Ο οπίσθιος φωτισμός ανάβει όταν πατιέται ένα κουμπί. OFF: Ο οπίσθιος φωτισμός δεν ανάβει όταν πατιέται ένα κουμπί.

6. Ηλεκτρικές εργασίες

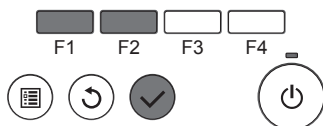
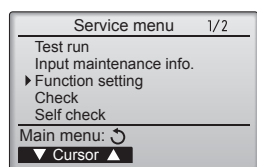


Fig. 6-11

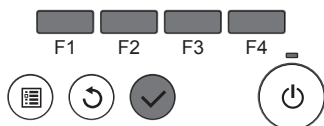
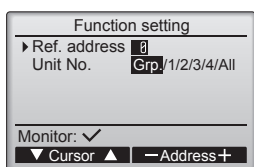


Fig. 6-12

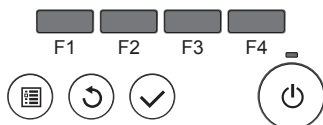
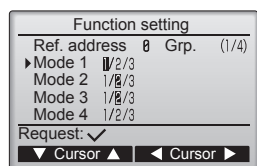


Fig. 6-13

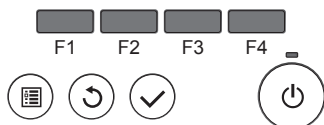
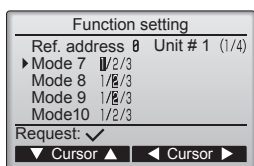


Fig. 6-14

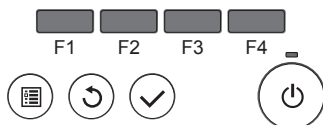
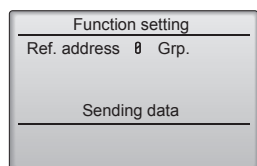


Fig. 6-15

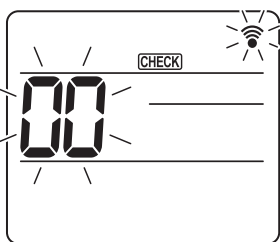


Fig. 6-16

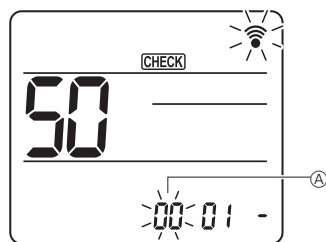


Fig. 6-17

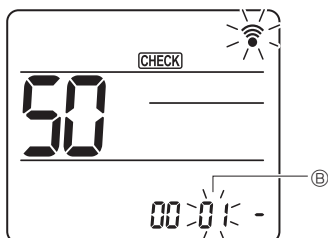


Fig. 6-18

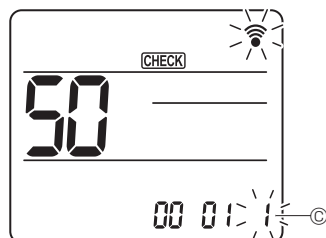


Fig. 6-19

6.3. Ρυθμίσεις λειτουργιών

6.3.1. Με ενσύρματο τηλεχειριστήριο

- ① (Fig. 6-11)
 - Επιλέξτε "Service" (Σέρβις) από το Main menu (Βασικό μενού) και πατήστε το κουμπί [ΕΠΙΛΟΓΗ].
 - Επιλέξτε "Function settings" (Ρυθμίσεις λειτουργίας) με το κουμπί [F1] ή [F2] και, στη συνέχεια, πατήστε το κουμπί [ΕΠΙΛΟΓΗ].
- ② (Fig. 6-12)
 - Ορίστε τις διευθύνσεις ψυκτικού και τους αριθμούς μονάδας της εσωτερικής μονάδας με τα πλήκτρα [F1] έως [F4] και στη συνέχεια πιέστε το πλήκτρο [ΕΠΙΛΟΓΗ] για να επιβεβαιώσετε τη ρύθμιση.

<Έλεγχος του αριθμού της εσωτερικής μονάδας>
Μόλις πατήσετε το κουμπί [ΕΠΙΛΟΓΗ], η εσωτερική μονάδα-στόχος θα θέσει σε λειτουργία τον ανεμιστήρα. Αν η μονάδα είναι κοινή ή όταν λειτουργούν όλες οι μονάδες, θα θέσουν σε λειτουργία τον ανεμιστήρα όλες τις εσωτερικές μονάδες για την επιλεγμένη διεύθυνση ψυκτικού υγρού.

- ③ (Fig. 6-13)
 - Όταν η συλλογή δεδομένων από τις εσωτερικές μονάδες ολοκληρωθεί, οι τρέχουσες ρυθμίσεις εμφανίζονται επισημασμένες. Τα μη επισημασμένα στοιχεία υποδεικνύουν ότι δεν έχουν γίνει ρυθμίσεις λειτουργίας. Η εμφάνιση της οθόνης διαφέρει ανάλογα με τη ρύθμιση "Unit No.".
- ④ (Fig. 6-14)
 - Χρησιμοποιήστε το πλήκτρο [F1] ή [F2] για να μετακινήσετε τον κέρσορα και να επιλέξετε τον αριθμό mode και αλλάξετε τον αριθμό ρύθμισης με το πλήκτρο [F3] ή [F4].
- ⑤ (Fig. 6-15)
 - Όταν ολοκληρωθούν οι ρυθμίσεις πιέστε το πλήκτρο [ΕΠΙΛΟΓΗ] για να αποσταλούν τα δεδομένα ρύθμισης από το τηλεχειριστήριο στις εσωτερικές μονάδες.
 - Όταν η μετάδοση ολοκληρωθεί με επιτυχία, θα εμφανιστεί ξανά η οθόνη Function setting.

6.3.2 Με ασύρματο τηλεχειριστήριο

- ① Μετάβαση στην κατάσταση επιλογής λειτουργίας
 Πατήστε το κουμπί [MENU] εντός 5 δευτερολέπτων. (Εκκινήστε αυτήν τη λειτουργία όταν η οθόνη του τηλεχειριστηρίου είναι απενεργοποιημένη). Η ένδειξη [CHECK] (Έλεγχος) είναι αναμμένη και αναβοσβήνει η ένδειξη "00". (Fig. 6-16)
 Πατήστε το κουμπί [50] για να ορίσετε την τιμή "50". Κατευθύνετε το ασύρματο τηλεχειριστήριο προς το δέκτη της εσωτερικής μονάδας και πατήστε το κουμπί [SET].
- ② Ρύθμιση του αριθμού μονάδας
 Πατήστε το κουμπί [01] για να ρυθμίσετε τον αριθμό μονάδας ①. (Fig. 6-17)
 Κατευθύνετε το ασύρματο τηλεχειριστήριο προς το δέκτη της εσωτερικής μονάδας και πατήστε το κουμπί [SET].
- ③ Επιλέξτε μια κατάσταση λειτουργίας
 Πατήστε το κουμπί [01] για να ρυθμίσετε τον αριθμό κατάστασης λειτουργίας ③. (Fig. 6-18)
 Κατευθύνετε το ασύρματο τηλεχειριστήριο προς το δέκτη της εσωτερικής μονάδας και πατήστε το κουμπί [SET].
 Τρέχων αριθμός ρύθμισης: 1=1 μπιπ (1 δευτερόλεπτο)
 2=2 μπιπ (1 δευτερόλεπτο το καθένα)
 3=3 μπιπ (1 δευτερόλεπτο το καθένα)
- ④ Επιλογή του αριθμού ρύθμισης
 Χρησιμοποιήστε το κουμπί [01] για να αλλάξετε τον αριθμό ρύθμισης ④. (Fig. 6-19)
 Κατευθύνετε το ασύρματο τηλεχειριστήριο προς το δέκτη της εσωτερικής μονάδας και πατήστε το κουμπί [SET].
- ⑤ Για την επιλογή πολλαπλών λειτουργιών συνεχόμενα
 Επαναλάβετε την επιλογή ③ και ④ για να αλλάξετε τις ρυθμίσεις πολλαπλών λειτουργιών συνεχόμενα.
- ⑥ Ολοκλήρωση της επιλογής λειτουργίας
 Κατευθύνετε το ασύρματο τηλεχειριστήριο προς τον αισθητήρα της εσωτερικής μονάδας και πατήστε το κουμπί [OFF/ON].

Σημείωση:

Πραγματοποιήστε τις παραπάνω ρυθμίσεις στις μονάδες Mr. Slim ανάλογα με τις ανάγκες.

- Στον πίνακα 1 συνοψίζονται οι επιλογές ρύθμισης για κάθε αριθμό κατάστασης λειτουργίας.
- Φροντίστε να καταγράψετε τις ρυθμίσεις για όλες τις λειτουργίες, εάν κάποια από τις αρχικές ρυθμίσεις αλλάξει μετά την ολοκλήρωση των εργασιών εγκατάστασης.

6. Ηλεκτρικές εργασίες

Πίνακας λειτουργιών (Πίνακας 1)

Επιλέξτε το νούμερο της μονάδας 00

Λειτουργία	Ρυθμίσεις	Αρ. λειτουργίας	Αρ. Ρυθμίσεως	Αρχική ρύθμιση	Ρύθμιση
Αυτόματη επαναφορά μετά από διακοπή ρεύματος	Μη διαθέσιμη	01	1		
	Διαθέσιμη *1		2	Ο *2	
Ανίχνευση εσωτερική θερμοκρασίας	Μέση λειτουργία εσωτερικής μονάδας	02	1	Ο	
	Ρυθμίζεται από το τηλεχειριστήριο της εσωτερικής μονάδας		2		
	Εσωτερικός αισθητήρας τηλεχειριστηρίου		3		
Δυνατότητα σύνδεσης LOSSNAY	Μη αποδεκτή	03	1	Ο	
	Αποδεκτή (η εσωτερική μονάδα δεν είναι εξοπλισμένη με εξωτερικό στόμιο εισαγωγής αέρα)		2		
	Αποδεκτή (η εσωτερική μονάδα είναι εξοπλισμένη με εξωτερικό στόμιο εισαγωγής αέρα)		3		
Τάση τροφοδοσίας	240 V	04	1		
	220 V, 230 V		2	Ο	

Επιλέξτε τα νούμερα μονάδων 01 έως 03 ή όλες τις μονάδες (AL [ενσύρματο τηλεχειριστήριο] / 07 [ασύρματο τηλεχειριστήριο])

Λειτουργία	Ρυθμίσεις	Αρ. λειτουργίας	Αρ. Ρυθμίσεως	Αρχική ρύθμιση	Ρύθμιση
Σήμα φίλτρου	100Hr	07	1		
	2500Hr		2	Ο	
	Χωρίς δείκτη φίλτρου		3		
Ταχύτητα ανεμιστήρα	Αθόρυβη (χαμηλή οροφή)	08	1		
	Κανονική		2	Ο	
	Υψηλή οροφή		3		
Αρ. σημείων εξόδου	4 κατευθύνσεις	09	1	Ο	
	3 κατευθύνσεις		2		
	2 κατευθύνσεις		3		
Εγκατεστημένες επιλογές (φίλτρο υψηλής αποτελεσματικότητας)	Μη αποδεκτό	10	1	Ο	
	Αποδεκτό		2		
Ανω/κάτω ρύθμιση πτερυγίων	Ρύθμιση προς τα κάτω (Ρύθμιση γωνίας πτερυγίων ③)	11	1		
	Μεσαία ρύθμιση (Ρύθμιση γωνίας πτερυγίων ①)		2		
	Ρύθμιση χωρίς ρεύμα αέρα (Ρύθμιση γωνίας πτερυγίων ②)		3	Ο	
Ταχύτητα ανεμιστήρα όταν ο θερμοστάτης ψύξης είναι OFF	Ρύθμιση ταχύτητας ανεμιστήρα	27	1		
	Διακοπή		2		
	Πολύ χαμηλή		3	Ο	

*1 Μετά την έναρξη της παροχής ρεύματος, το κλιματιστικό θα αρχίσει να λειτουργεί 3 λεπτά αργότερα.

*2 Η αρχική ρύθμιση για αυτόματη επαναφορά μετά από διακοπή ρεύματος εξαρτάται από την εξωτερική μονάδα σύνδεσης.

7. Δοκιμαστική λειτουργία

7.1. Πριν από τη δοκιμαστική λειτουργία

- ▶ Μετά την εγκατάσταση και αφού τελειώσετε με την καλωδίωση και τη σωλήνωση της εσωτερικής και της εξωτερικής μονάδας, ελέγξτε για τυχόν διαρροή ψυκτικού, χαλαρά καλώδια ηλεκτρικής παροχής ή καλωδίωσης ελέγχου, λανθασμένη πολικότητα ή απουσία μίας από τις φάσεις της παροχής.
- ▶ Χρησιμοποιήστε ένα μεγώνυμο τάσης 500V για να ελέγξετε ότι η αντίσταση μεταξύ των τερματικών της ηλεκτρικής παροχής και της γείωσης είναι τουλάχιστο 1,0 MΩ (μεγαώμ).

- ▶ Μην εκτελέσετε αυτή τη δοκιμή στα τερματικά της καλωδίωσης ελέγχου (κύκλωμα χαμηλής τάσης).

⚠ Προειδοποίηση:

- Μην χρησιμοποιήσετε το κλιματιστικό αν η αντίσταση μόνωσης είναι μικρότερη από 1,0 MΩ.

7.2. Δοκιμαστική λειτουργία

7.2.1. Με ενσύρματο τηλεχειριστήριο

- Πριν από την εκτέλεση ελέγχου διαβάστε οπωσδήποτε το εγχειρίδιο λειτουργίας. (Ειδικά τα στοιχεία που αφορούν στην ασφάλεια)

Βήμα 1 Ενεργοποιήστε την τροφοδοσία.

- Τηλεχειριστήριο: Το σύστημα θα μεταβεί στην κατάσταση εκκίνησης, και η λυχνία λειτουργίας του τηλεχειριστηρίου (πράσινη) και το μήνυμα "PLEASE WAIT" (ΠΑΡΑΚΑΛΩ ΠΕΡΙΜΕΝΕΤΕ) θα αρχίσουν να αναβοσβήνουν. Ενώ η λυχνία και το μήνυμα αναβοσβήνουν, δεν είναι δυνατή η λειτουργία του τηλεχειριστηρίου. Περιμένετε να πάψει να εμφανίζεται το μήνυμα "PLEASE WAIT" (ΠΑΡΑΚΑΛΩ ΠΕΡΙΜΕΝΕΤΕ) για να χρησιμοποιήσετε το τηλεχειριστήριο. Μόλις ενεργοποιηθεί η τροφοδοσία, το μήνυμα "PLEASE WAIT" (ΠΑΡΑΚΑΛΩ ΠΕΡΙΜΕΝΕΤΕ) θα εμφανιστεί για περίπου 2 λεπτά.
- Πλακέτα εσωτερικού ελεγκτή: Η ενδεικτική λυχνία LED 1 θα είναι αναμμένη, η ενδεικτική λυχνία LED 2 θα είναι αναμμένη (αν η διεύθυνση είναι 0) ή σβηστή (αν η διεύθυνση δεν είναι 0) και η ενδεικτική λυχνία LED 3 θα αναβοσβήνει.
- Πλακέτα εξωτερικού ελεγκτή: Η ενδεικτική λυχνία LED 1 (πράσινη) και η ενδεικτική λυχνία LED 2 (κόκκινη) θα είναι αναμμένες. (Μόλις ολοκληρωθεί η διαδικασία εκκίνησης του συστήματος, η ενδεικτική λυχνία LED 2 θα σβήσει). Αν η πλακέτα εξωτερικού ελεγκτή χρησιμοποιεί ψηφιακή οθόνη, οι ενδείξεις [-] και [-] θα εμφανίζονται εναλλάξ κάθε ένα δευτερόλεπτο. Αν οι λειτουργίες δεν εκτελούνται σωστά μετά την εκτέλεση των διαδικασιών στο βήμα 2 και έπειτα, θα πρέπει να αντιμετωπιστούν και να εξαλειφθούν τα παρακάτω προβλήματα, εάν προκύψουν. (Τα παρακάτω συμπτώματα παρουσιάζονται κατά τη λειτουργία εκτέλεσης ελέγχου. Η ένδειξη "Startup" (Εκκίνηση) στον πίνακα υποδεικνύει την ένδειξη LED που αναφέρεται παραπάνω).

Συμπτώματα στη λειτουργία εκτέλεσης ελέγχου		Αιτία
Ένδειξη τηλεχειριστηρίου	Ένδειξη LED ΕΞΩΤΕΡΙΚΗΣ ΠΛΑΚΕΤΑΣ Το <> υποδεικνύει ψηφιακή ένδειξη.	
Στο τηλεχειριστήριο εμφανίζεται η ένδειξη "PLEASE WAIT" (ΠΑΡΑΚΑΛΩ ΠΕΡΙΜΕΝΕΤΕ) και δεν είναι δυνατή η λειτουργία του.	Μόλις εμφανιστεί η ένδειξη "startup" (εκκίνηση), ανάβει μόνο η πράσινη λυχνία. <00>	• Μόλις ενεργοποιηθεί η συσκευή, εμφανίζεται το μήνυμα "PLEASE WAIT" (ΠΑΡΑΚΑΛΩ ΠΕΡΙΜΕΝΕΤΕ) για 2 λεπτά κατά την εκκίνηση του συστήματος. (Κανονική)
Μόλις ενεργοποιηθεί η τροφοδοσία, η ένδειξη "PLEASE WAIT" (ΠΑΡΑΚΑΛΩ ΠΕΡΙΜΕΝΕΤΕ) εμφανίζεται για 3 λεπτά και, στη συνέχεια, εμφανίζεται κωδικός σφάλματος.	Μόλις εμφανιστεί η ένδειξη "startup" (εκκίνηση), αναβοσβήνουν εναλλάξ η πράσινη λυχνία (μία φορά) και η κόκκινη λυχνία (μία φορά). <F1>	• Εσφαλμένη σύνδεση του εξωτερικού μπλοκ ακροδεκτών (R, S, T και S ₁ , S ₂ , S ₃).
	Μόλις εμφανιστεί η ένδειξη "startup" (εκκίνηση), αναβοσβήνουν εναλλάξ η πράσινη λυχνία (δύο φορές) και η κόκκινη λυχνία (δύο φορές). <F3, F5, F9>	• Ο συνδετήρας της διάταξης προστασίας της εξωτερικής μονάδας είναι ανοικτός.
Δεν εμφανίζεται κάποια ένδειξη, ακόμα κι όταν ανοίξει ο διακόπτης λειτουργίας του τηλεχειριστηρίου. (Η λυχνία λειτουργίας δεν ανάβει).	Μόλις εμφανιστεί η ένδειξη "startup" (εκκίνηση), αναβοσβήνουν εναλλάξ η πράσινη λυχνία (δύο φορές) και η κόκκινη λυχνία (μία φορά). <EA, Eb>	• Εσφαλμένη σύνδεση καλωδίων μεταξύ της εσωτερικής και της εξωτερικής μονάδας (Η πολικότητα είναι εσφαλμένη για τα S ₁ , S ₂ , S ₃).
	Μόλις εμφανιστεί η ένδειξη "startup" (εκκίνηση), ανάβει μόνο η πράσινη λυχνία. <00>	• Το καλώδιο μετάδοσης του τηλεχειριστηρίου έχει βραχυκυκλώσει.
Η ένδειξη εμφανίζεται, αλλά εξαφανίζεται σύντομα, ακόμη και κατά το χειρισμό του τηλεχειριστηρίου.	Μόλις εμφανιστεί η ένδειξη "startup" (εκκίνηση), ανάβει μόνο η πράσινη λυχνία. <00>	• Δεν υπάρχει εξωτερική μονάδα με διεύθυνση 0. (Η διεύθυνση είναι διαφορετική από 0).
		• Το καλώδιο μετάδοσης του τηλεχειριστηρίου είναι αποσυνδεδεμένο.
		• Μετά την ακύρωση της επιλογής λειτουργίας, ο χειρισμός δεν είναι δυνατός για περίπου 30 δευτερόλεπτα. (Κανονικός)

Βήμα 2 Αλλάξτε τη λειτουργία του τηλεχειριστηρίου σε "Test run" (Εκτέλεση ελέγχου).

- 1 Επιλέξτε "Test run" (Εκτέλεση ελέγχου) από την οθόνη Service menu (Μενού σέρβις) και πατήστε το κουμπί [ΕΠΙΛΟΓΗ]. (Fig. 7-1)
- 2 Επιλέξτε "Test run" (Εκτέλεση ελέγχου) από το Test run menu (μενού "Εκτέλεση ελέγχου") και πατήστε το κουμπί [ΕΠΙΛΟΓΗ]. (Fig. 7-2)
- 3 Η λειτουργία εκτέλεσης ελέγχου ξεκινά και εμφανίζεται η οθόνη της λειτουργίας Test run (Εκτέλεση ελέγχου).

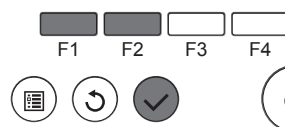
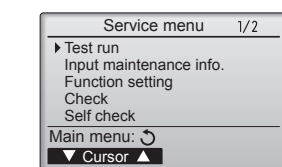


Fig. 7-1

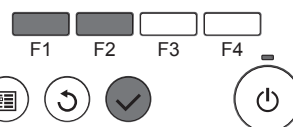
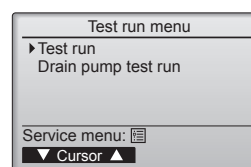


Fig. 7-2

Βήμα 3 Εκτελέστε τη λειτουργία εκτέλεσης ελέγχου και ελέγξτε τη θερμοκρασία ροής αέρα και η αυτόματη διακύμανση της κατεύθυνσης του αέρα.

- 1 Πατήστε το κουμπί [F1] για να αλλάξετε την κατάσταση λειτουργίας. (Fig. 7-3)
Λειτουργία ψύξης: Ελέγξτε εάν από τη μονάδα βγαίνει ψυχρός αέρας.
Λειτουργία θέρμανσης: Ελέγξτε εάν από τη μονάδα βγαίνει ζεστός αέρας.
- 2 Πατήστε το πλήκτρο [ΕΠΙΛΟΓΗ] για να εμφανιστεί η οθόνη της λειτουργίας Vane (Πτερύγιο φτερωτής) και, στη συνέχεια, πατήστε τα κουμπιά [F1] και [F2] για να ελέγξετε την αυτόματη διακύμανση της κατεύθυνσης του αέρα. (Fig. 7-4)
Πατήστε το κουμπί [ΕΠΙΣΤΡΟΦΗ] για να επιστρέψετε στην οθόνη της λειτουργίας Test run (Εκτέλεση ελέγχου).

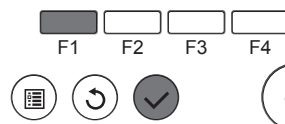
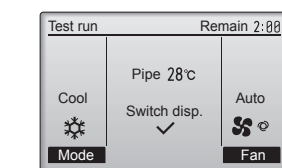


Fig. 7-3

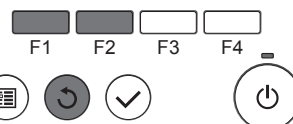
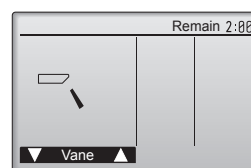


Fig. 7-4

7. Δοκιμαστική λειτουργία

Βήμα 4 Επιβεβαιώστε τη λειτουργία του ανεμιστήρα της εξωτερικής μονάδας.

Η ταχύτητα του ανεμιστήρα της εξωτερικής μονάδας ρυθμίζεται με σκοπό τον έλεγχο της απόδοσης της μονάδας. Ανάλογα με τον ατμοσφαιρικό αέρα, ο ανεμιστήρας θα περιστρέφεται με αργή ταχύτητα και θα συνεχίσει να περιστρέφεται με την ίδια ταχύτητα, εκτός εάν η απόδοση είναι ανεπαρκής. Συνεπώς, ο εξωτερικός αέρας μπορεί να προκαλέσει διακοπή της περιστροφής του ανεμιστήρα ή περιστροφή του προς την αντίθετη κατεύθυνση, όμως αυτό δεν αποτελεί πρόβλημα.

Βήμα 5 Διακόψτε τη λειτουργία εκτέλεσης ελέγχου.

① Πατήστε το κουμπί [ON/OFF] για να διακόψετε τη λειτουργία εκτέλεσης ελέγχου. (Θα εμφανιστεί το Test run menu [μενού "Εκτέλεση ελέγχου"]).
Σημείωση: Αν εμφανιστεί κάποιο σφάλμα στο τηλεχειριστήριο, ανατρέξτε στον παρακάτω πίνακα.

LCD	Περιγραφή της δυσλειτουργίας	LCD	Περιγραφή της δυσλειτουργίας	LCD	Περιγραφή της δυσλειτουργίας
P1	Σφάλμα αισθητήρα εισαγωγής	P9	Σφάλμα αισθητήρα σωλήνα (σωλήνας διπλού τοιχώματος)	E0 – E5	Σφάλμα επικοινωνίας μεταξύ του τηλεχειριστηρίου και της εσωτερικής μονάδας
P2	Σφάλμα αισθητήρα σωλήνα (σωλήνας υγρού)	PA	Σφάλμα διαρροής (σύστημα ψυκτικού)		
P4	Ο συνδετήρας του διακόπτη φλωτέρ αποστράγγισης έχει αποσυνδεθεί (CN4F)	Pb	Σφάλμα μοτέρ ανεμιστήρα εσωτερικής μονάδας		
P5	Λειτουργία προστασίας από την υπερχείλιση αποστράγγισης	PL	Μη φυσιολογικό κύκλωμα ψυκτικού	E6 – EF	Σφάλμα επικοινωνίας μεταξύ της εσωτερικής και της εξωτερικής μονάδας
P6	Λειτουργία προστασίας από παγετό/ υπερθέρμανση	FB	Σφάλμα πλακέτας εσωτερικού ελεγκτή		
P8	Σφάλμα θερμοκρασίας σωλήνα	U*, F* (Το σύμβολο * υποδεικνύει έναν αλφαριθμητικό χαρακτήρα εκτός του FB).	Δυσλειτουργία εξωτερικής μονάδας. Ανατρέξτε στο διάγραμμα καλωδίωσης για την εξωτερική μονάδα.		

Ανατρέξτε στον παρακάτω πίνακα για λεπτομέρειες σχετικά με την ένδειξη LED (LED 1, 2 και 3) στην πλακέτα εσωτερικού ελεγκτή.

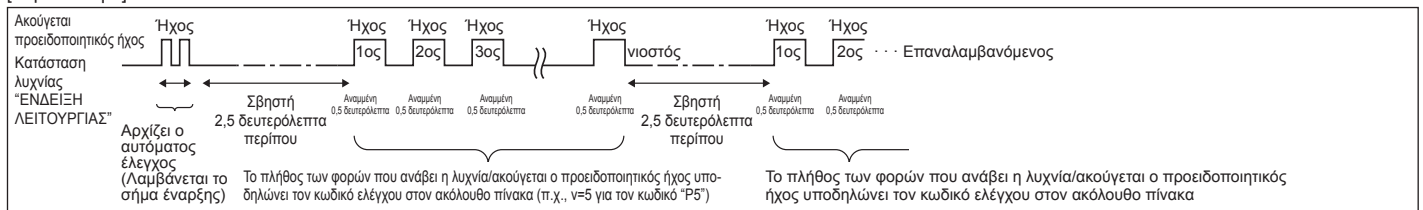
LED 1 (τροφοδοσία του μικρουπολογιστή)	Δηλώνει την παροχή ισχύος στο σύστημα ελέγχου. Βεβαιωθείτε ότι αυτή η ενδεικτική λυχνία LED είναι πάντα αναμμένη.
LED 2 (τροφοδοσία του τηλεχειριστηρίου)	Δηλώνει την παροχή ισχύος στο ενσύρματο τηλεχειριστήριο. Αυτή η ενδεικτική λυχνία LED ανάβει μόνο για την εσωτερική μονάδα που είναι συνδεδεμένη στην εξωτερική μονάδα με διεύθυνση 0.
LED 3 (επικοινωνία μεταξύ εσωτερικής/εξωτερικής μονάδας)	Δηλώνει την κατάσταση επικοινωνίας μεταξύ της εσωτερικής και της εξωτερικής μονάδας. Βεβαιωθείτε ότι αυτή η ενδεικτική λυχνία LED αναβοσβήνει συνεχώς.

7.3. Αυτόματος έλεγχος

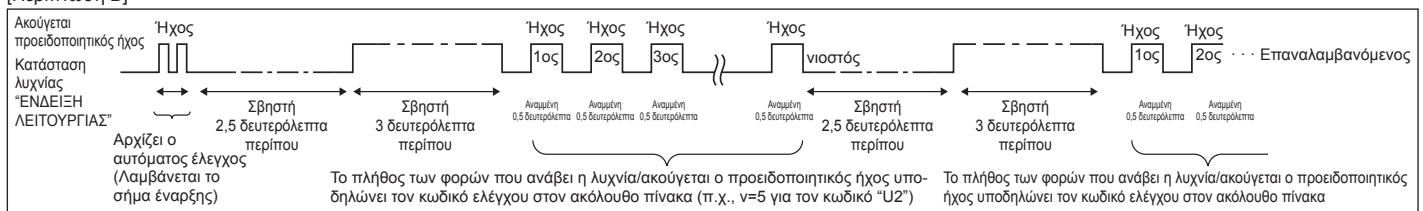
■ Για λεπτομέρειες ανατρέξτε στο εγχειρίδιο εγκατάστασης που παρέχεται μαζί με κάθε τηλεχειριστήριο.

• Ανατρέξτε στους παρακάτω πίνακες για λεπτομέρειες σχετικά με τους κωδικούς ελέγχου. (Το τηλεχειριστήριο)

[Περίπτωση A]



[Περίπτωση B]



7. Δοκιμαστική λειτουργία

[Περίπτωση Α] Σφάλματα που ανιχνεύτηκαν από την εσωτερική μονάδα

Ασύρματο τηλεχειριστήριο	Ενσύρματο τηλεχειριστήριο	Σύμπτωμα	Σημείωση
Ακούγεται προειδοποιητικός ήχος/η λυχνία "ΕΝΔΕΙΞΗ ΛΕΙΤΟΥΡΓΙΑΣ" αναβοσβήνει (Πλήθος φορών)	Κωδικός ελέγχου		
1	P1	Σφάλμα αισθητήρα εισαγωγής	
2	P2	Σφάλμα αισθητήρα σωλήνα (TH2)	
	P9	Σφάλμα αισθητήρα σωλήνα (TH5)	
3	E6, E7	Σφάλμα επικοινωνίας εσωτερικής/εξωτερικής μονάδας	
4	P4	Σφάλμα αισθητήρα αποστράγγισης / Άνοιγμα σύνδεσης διακόπτη φλοτέρ	
	P5	Σφάλμα αντλίας αποστράγγισης	
	PA	Σφάλμα συμπιεστή	
6	P6	Λειτουργία προστασίας από παγετό/υπερθέρμανση	
7	EE	Σφάλμα επικοινωνίας εσωτερικών και εξωτερικών μονάδων	
8	P8	Σφάλμα θερμοκρασίας σωλήνα	
9	E4	Σφάλμα λήψης σήματος τηλεχειριστηρίου	
10	—	—	
11	Pb	Σφάλμα μοτέρ ανεμιστήρα εσωτερικής μονάδας	
12	Fb	Σφάλμα συστήματος ελέγχου εσωτερικής μονάδας (σφάλμα μνήμης, κτλ.)	
14	PL	Μη φυσιολογικό κύκλωμα ψυκτικού	
Κανένας ήχος	E0, E3	Σφάλμα μετάδοσης τηλεχειριστηρίου	
Κανένας ήχος	E1, E2	Σφάλμα πίνακα ελέγχου τηλεχειριστηρίου	
Κανένας ήχος	— — —	Καμία αντίδραση	

[Περίπτωση Β] Σφάλματα που ανιχνεύονται από μονάδα πέραν της εσωτερικής (εξωτερική μονάδα, κτλ.)

Ασύρματο τηλεχειριστήριο	Ενσύρματο τηλεχειριστήριο	Σύμπτωμα	Σημείωση
Ακούγεται προειδοποιητικός ήχος/η λυχνία "ΕΝΔΕΙΞΗ ΛΕΙΤΟΥΡΓΙΑΣ" αναβοσβήνει (Πλήθος φορών)	Κωδικός ελέγχου		
1	E9	Σφάλμα επικοινωνίας εσωτερικής/εξωτερικής μονάδας (Σφάλμα μετάδοσης) (Εξωτερική μονάδα)	
2	UP	Διακοπή υπερέντασης συμπιεστή	
3	U3, U4	Ανοικτό/βραχυκυκλωμένο κύκλωμα θερμίστορ εξωτερικής μονάδας	
4	UF	Διακοπή υπερέντασης συμπιεστή (Όταν ο συμπιεστής έχει μπλοκάρει)	
5	U2	Μη φυσιολογικά υψηλή θερμοκρασία κατάθλιψης /λειτουργία σε 49C/μη επαρκές ψυκτικό	
6	U1, Ud	Μη φυσιολογικά υψηλή πίεση (λειτουργία σε 63H)/λειτουργία προστασίας από υπερθέρμανση	
7	U5	Μη φυσιολογική θερμοκρασία αποδέκτη θερμότητας	
8	U8	Διακοπή λειτουργίας προστασίας ανεμιστήρα εξωτερικής μονάδας	
9	U6	Διακοπή υπερέντασης συμπιεστή /Μη φυσιολογική λειτουργία τροφοδοσίας	
10	U7	Μη φυσιολογική λειτουργία ταχείας θέρμανσης λόγω χαμηλής θερμοκρασίας κατάθλιψης	
11	U9, UH	Μη φυσιολογική λειτουργία όπως υπέρταση ή χαμηλή τάση και μη φυσιολογικό σήμα συγχρονισμού προς κεντρικό κύκλωμα/Σφάλμα αισθητήρα ρεύματος.	
12	—	—	
13	—	—	
14	Άλλοι	Άλλα σφάλματα (Ανατρέξτε στο τεχνικό εγχειρίδιο της εξωτερικής μονάδας.)	Για λεπτομέρειες, ελέξτε τήνοθόνη LED του πίνακα της εξωτερικής μονάδας.

*1 Αν ο προειδοποιητικός ήχος δεν ακουστεί ξανά μετά τις αρχικές δύο φορές που επιβεβαιώνουν τη λήψη σήματος έναρξης αυτόματου ελέγχου και η λυχνία "ΕΝΔΕΙΞΗ ΛΕΙΤΟΥΡΓΙΑΣ" δεν ανάψει, δεν υπάρχουν κωδικοί ελέγχου.

*2 Αν ο προειδοποιητικός ήχος ακουστεί τρεις φορές συνεχόμενα (0,4 + 0,4 + 0,4 δευτερόλεπτα) μετά τις αρχικές δύο φορές που επιβεβαιώνουν τη λήψη σήματος έναρξης αυτόματου ελέγχου, η καθορισμένη διεύθυνση ψυκτικού είναι λανθασμένη.

- Σε ασύρματο τηλεχειριστήριο
Ένας διαρκής βόμβος ακούγεται από το τμήμα του δέκτη της εσωτερικής μονάδας.
Η λυχνία λειτουργίας αναβοσβήνει
- Σε ενσύρματο τηλεχειριστήριο
Ελέγξτε τον κωδικό που εμφανίζεται στην οθόνη.

7. Δοκιμαστική λειτουργία

- Σε περίπτωση που η μονάδα δεν λειτουργεί κανονικά αφού εκτελέσετε την παραπάνω διαδικασία δοκιμαστικής λειτουργίας, ανατρέξτε στον πίνακα που ακολουθεί για να λυθεί το πρόβλημα.

Ενσύρματο τηλεχειριστήριο	Σύμπτωμα		Αιτία
	Για 2 περίπου λεπτά αφού τεθεί σε λειτουργία η μονάδα	LED 1, 2 (PCB στην εξωτερική μονάδα)	
PLEASE WAIT	Για 2 περίπου λεπτά αφού τεθεί σε λειτουργία η μονάδα	Αφού ανάψουν οι λυχνίες LED 1 και 2, η λυχνία LED 2 σβήνει και παραμένει αναμμένη μόνο η λυχνία LED 1. (Ορθή λειτουργία)	• Για περίπου 2 λεπτά αφού τεθεί σε λειτουργία η μονάδα, η λειτουργία του τηλεχειριστηρίου δεν είναι δυνατή λόγω της εκκίνησης του συστήματος (Ορθή λειτουργία)
PLEASE WAIT → Κωδικός σφάλματος	Μετά από 2 περίπου λεπτά αφού τεθεί σε λειτουργία η μονάδα	Μόνο η λυχνία LED 1 είναι αναμμένη. → Οι ενδεικτικές λυχνίες 1, 2 αναβοσβήνουν.	• Το βύσμα για τη διάταξη προστασίας της εξωτερικής μονάδας δεν είναι συνδεδεμένο. Αντίστροφη ή ανοιχτή διάταξη καλωδίων για το κιβώτιο ακροδεκτών τροφοδοσίας της εξωτερικής μονάδας (L1, L2, L3)
Δεν εμφανίζονται μηνύματα ενδείξεων όταν είναι ενεργοποιημένος (ON) ο διακόπτης λειτουργίας (δεν ανάβει η λυχνία λειτουργίας).	Μετά από 2 περίπου λεπτά αφού τεθεί σε λειτουργία η μονάδα	Μόνο η λυχνία LED 1 είναι αναμμένη. → Η λυχνία 1 αναβοσβήνει δύο φορές, η λυχνία 2 αναβοσβήνει μία φορά.	• Λανθασμένη σύνδεση μεταξύ της εσωτερικής και της εξωτερικής μονάδας (λανθασμένη πολικότητα των S1, S2, S3) • Το καλώδιο του τηλεχειριστηρίου είναι κοντό

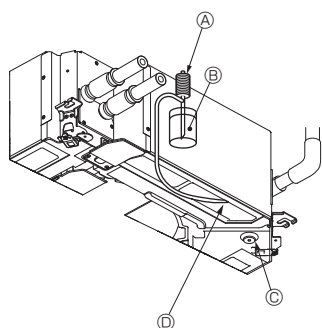
Στο ασύρματο τηλεχειριστήριο παρατηρούνται τα παρακάτω στις προαναφερόμενες περιπτώσεις.

- Δεν γίνονται δεκτά τα σήματα από το τηλεχειριστήριο.
- Αναβοσβήνει η λυχνία λειτουργίας.
- Ο βομβητής εκπέμπει ένα σύντομο ηχητικό σήμα.

Παρατήρηση:

Μετά την ακύρωση της λειτουργίας δεν είναι δυνατή η λειτουργία για περίπου 30 δευτερόλεπτα. (Ορθή λειτουργία)

Για την περιγραφή της κάθε λυχνίας LED (LED 1, 2, 3) που υπάρχει στο χειριστήριο της εσωτερικής μονάδας, ανατρέξτε στη σελίδα 129.



- Ⓐ Αντλία παροχής νερού
- Ⓑ Νερό (περίπου 1000cc)
- Ⓒ Τάπα αποστράγγισης
- Ⓓ Χύστε νερό μέσω της εξόδου
- Προσέξτε να μην ψεκάσετε νερό στο μηχανισμό της αντλίας αποστράγγισης.

Fig. 7-5

7.4. Έλεγχος αποστράγγισης (Fig. 7-5)

- Βεβαιωθείτε πως το νερό αποστραγγίζεται σωστά και πως δεν υπάρχει διαρροή νερού από τις συνδέσεις.

Όταν ολοκληρωθούν οι ηλεκτρικές εργασίες.

- Χύστε νερό κατά τη διάρκεια της λειτουργίας ψύξης της δοκιμαστικής λειτουργίας (ανατρέξτε στην ενότητα 7.2.) και ελέγξτε.

Όταν δεν έχουν ολοκληρωθεί οι ηλεκτρικές εργασίες.

- Χύστε νερό κατά τη διάρκεια της επείγουσας λειτουργίας και ελέγξτε.
- * Το δοχείο αποστράγγισης και ο ανεμιστήρας ενεργοποιούνται ταυτόχρονα όταν η μονή φάση 220-240 V ενεργοποιηθεί στο S1 και S2 του μπλοκ ακροδεκτών, αφού ο συνδετήρας (SWE) στην πλακέτα ελεγκτή του ηλεκτρικού κιβωτίου ρυθμιστεί στη θέση ON (Ενεργοποίηση).

Βεβαιωθείτε πως θα το γυρίσετε την προηγούμενη κατάσταση μετά την ολοκλήρωση των εργασιών.

8. Έλεγχος συστήματος

Ανατρέξτε στο εγχειρίδιο εγκατάστασης της εξωτερικής μονάδας.

9. Πώς τοποθετούνται οι γρίλιες

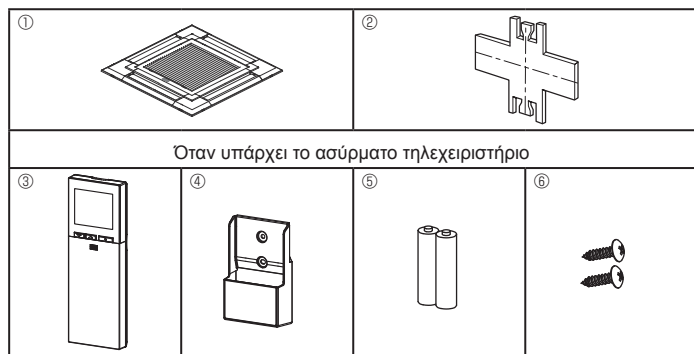


Fig. 9-1

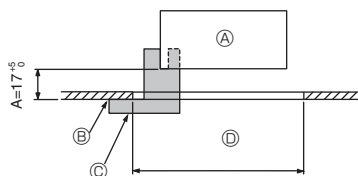


Fig. 9-2

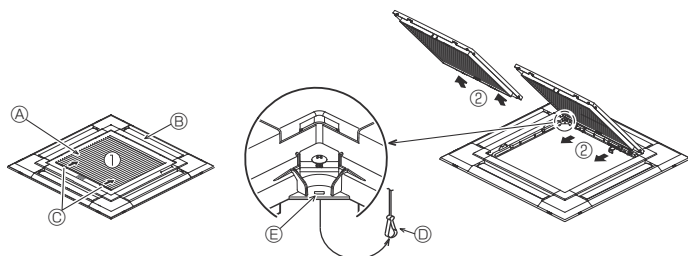


Fig. 9-3

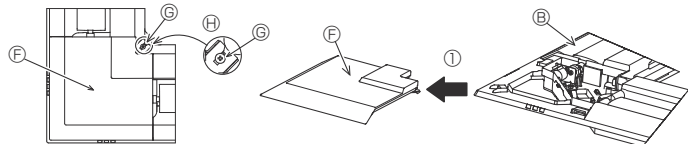


Fig. 9-4

	Προς 4 κατευθύνσεις	Προς 3 κατευθύνσεις
Διάταξη κατεύθυνσης ροής αέρα	1 διάταξη: Εργοστασιακή ρύθμιση	4 διατάξεις: Ένα στόμιο εξόδου αέρα εντελώς κλειστό
Διάταξη κατεύθυνσης ροής αέρα	Προς 2 κατευθύνσεις	6 διατάξεις: Δύο στόμια εξόδου αέρα εντελώς κλειστά

πίνακας 1

<Το άγκιστρο είναι στην ανυψωμένη θέση> <Το άγκιστρο είναι στη χαμηλωμένη θέση>

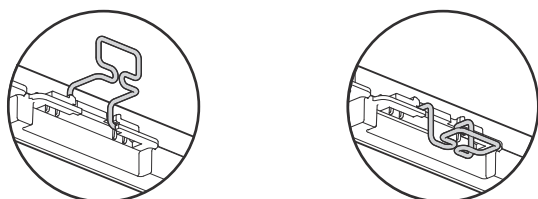


Fig. 9-5

9.1. Έλεγχος περιεχομένων (Fig. 9-1)

• Η συλλογή περιέχει αυτό το εγχειρίδιο οδηγιών εγκατάστασης και τα ακόλουθα μέρη.

	Όνομασία εξαρτήματος	Ποσότητα	Παρατηρήσεις
①	Γρίλιες	1	950 × 950 (χιλ)
②	Μετρητής εγκατάστασης	1	(Χωρίζεται σε 4 μέρη)
③	Ασύρματο τηλεχειριστήριο	1	για PLP-6EALM
④	Βάση τηλεχειριστηρίου	1	Περιλαμβάνεται όταν υπάρχει το ασύρματο τηλεχειριστήριο.
⑤	Μπαταρίες LR6 AA	2	Περιλαμβάνεται όταν υπάρχει το ασύρματο τηλεχειριστήριο.
⑥	Λαμαρινόβιδες 3,5 × 16	2	Περιλαμβάνεται όταν υπάρχει το ασύρματο τηλεχειριστήριο.

9.2. Προετοιμασία στις γρίλιες για την τοποθέτησή τους (Fig. 9-2)

• Χρησιμοποιώντας τον μετρητή ② που παρέχεται μαζί με αυτό το kit, προσαρμόστε και ελέγξτε την τοποθέτηση της κύριας μονάδας σε σχέση με την επιφάνεια της οροφής. Εάν η κύρια μονάδα δεν τοποθετηθεί σωστά σε σχέση με την επιφάνεια της οροφής, μπορεί να επιτρέψει διαρροές αέρα ή να προκληθεί συγκέντρωση σταγόνων λόγω συμπύκνωσης.

• Βεβαιωθείτε ότι το άνοιγμα στο ταβάνι βρίσκεται μεταξύ της επιτρεπόμενης ανοχής:

860 × 860 - 910 × 910

• Βεβαιωθείτε ότι το βήμα A εκτελείται μέσα στα όρια των 17-22 mm. Εάν δεν τηρούνται αυτά τα όρια υπάρχει κίνδυνος πτώσης.

- Ⓐ Κύρια μονάδα
- Ⓑ Επιφάνεια οροφής
- Ⓒ Μετρητής εγκατάστασης ② (έχει εισαχθεί στην κύρια μονάδα)
- Ⓓ Διαστάσεις ανοίγματος οροφής

9.2.1. Πώς αφαιρούνται οι γρίλιες εισόδου αέρα (Fig. 9-3)

• Σύρατε τους μοχλούς προς την κατεύθυνση που δείχνει το βέλος ① για να ανοίξετε τις γρίλιες εισόδου αέρα.

• εκουμπώστε το άγκιστρο που κρατά τις γρίλιες στη θέση τους.

* Μην ξεκουμπώσετε το άγκιστρο για τις γρίλιες εισόδου αέρα.

• Με τις γρίλιες εισόδου αέρα στη θέση "open" ("ανοιχτές"), βγάλτε τον αρθρωτό τους σύνδεσμο από τις γρίλιες όπως δείχνει το βέλος ②.

9.2.2. Πώς αφαιρείται το γωνιακό πλαίσιο (Fig. 9-4)

• Ξεσφίξτε τις 4 βίδες στη γωνία. Σύρατε το γωνιακό πλαίσιο στην κατεύθυνση του βέλους ① στην εικόνα και αφαιρέστε το γωνιακό πλαίσιο.

[Fig.9-3] [Fig.9-4]

- Ⓐ Γρίλιες εισόδου αέρα
- Ⓑ Γρίλιες ①
- Ⓒ Μοχλοί στις γρίλιες εισόδου αέρα
- Ⓓ Άγκιστρο στις γρίλιες
- Ⓔ Οπή για το άγκιστρο
- Ⓕ Γωνιακό πλαίσιο
- Ⓖ Βίδα
- Ⓖ Λεπτομέρειες

9.3. Επιλογή των εξόδων αέρα

Γι' αυτές τις γρίλιες, η έξοδος του αέρα μπορεί να γίνεται σε 11 διαφορετικές κατευθύνσεις. Επίσης, μπορείτε να προσαρμόσετε τη ροή και την ταχύτητα του αέρα με ανάλογη ρύθμιση στο ασύρματο τηλεχειριστήριο. Επιλέξτε τις απαιτούμενες ρυθμίσεις από τους πίνακες 1 ανάλογα με τη θέση που επιλέξατε για την εγκατάσταση της μονάδας. (Πρέπει να επιλεγούν περισσότερες από δύο κατευθύνσεις.)

1) Αποφασίστε ποιο υπόδειγμα κατεύθυνσης θέλετε για την έξοδο του αέρα.

2) Φροντίστε να ρυθμίσετε το τηλεχειριστήριο με τον κατάλληλο τρόπο, ανάλογα με τον αριθμό των εξόδων αέρα και το ύψος της οροφής στην οποία θα εγκατασταθεί η κύρια μονάδα. (Ανατρέξτε στη σελίδα 127.)

Σημείωμα:

• Για να αλλάξετε τον αριθμό των κατευθύνσεων, χρειάζεστε μια πλάκα διαφράγματος εξόδου αέρα, η οποία αποτελεί προαιρετικό εξοπλισμό.

• Μην επιλέξετε 2 κατευθύνσεις σε ζεστό και υγρό περιβάλλον. (Ενδέχεται να προκληθεί σχηματισμός υγρασίας ή σταγόνες υγρασίας.)

9.4. Πώς τοποθετούνται οι γρίλιες

9.4.1. Προετοιμασία (Fig. 9-5)

• Φροντίστε να γυρίσετε 2 άγκιστρα στη γρίλια προς τα πάνω.

9. Πώς τοποθετούνται οι γρίλιες

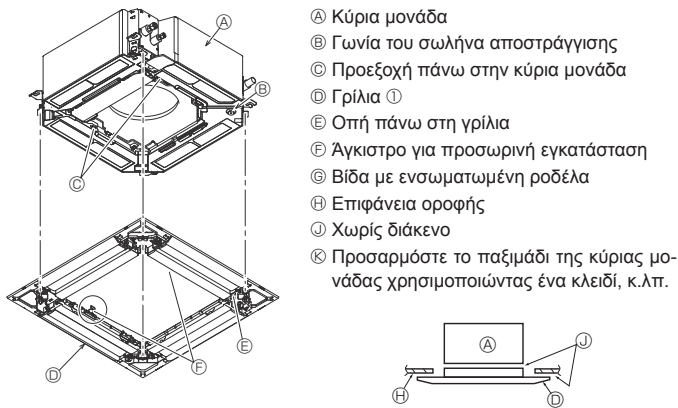


Fig. 9-6

< Η γρίλια είναι προσωρινά εγκατεστημένη >

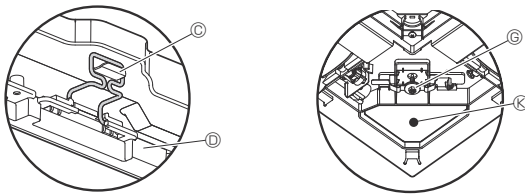


Fig. 9-7

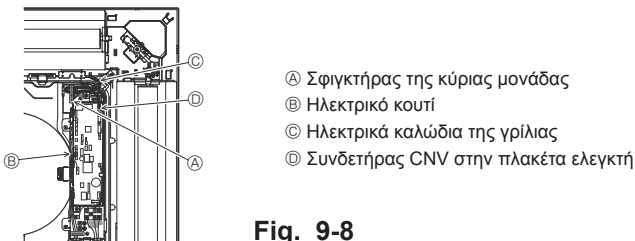


Fig. 9-8

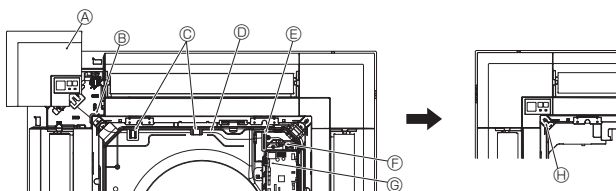


Fig. 9-9

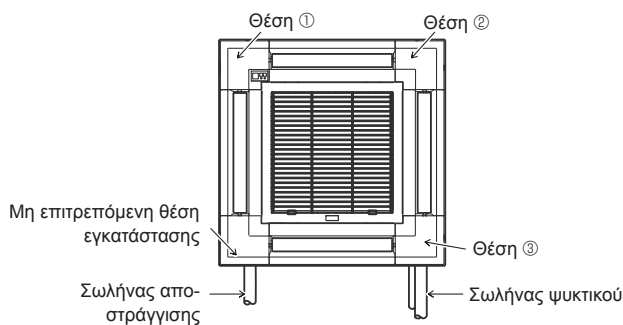


Fig. 9-10

9.4.2. Προσωρινή εγκατάσταση της γρίλιας (Fig. 9-6)

- Ενώστε τη γωνία του σωλήνα αποστράγγισης που βρίσκεται πάνω στην κύρια μονάδα με τη γωνία με οπή που βρίσκεται στη γρίλια και τοποθετήστε τις μαζί προσωρινά, αναρτώντας το άγκιστρο της γρίλιας στην προεξοχή της κύριας μονάδας.

9.4.3. Στερέωση της γρίλιας

- Σφίγγοντας τις προεγκατεστημένες βίδες, στερεώστε τη γρίλια πάνω στην κύρια μονάδα. (Fig. 9-6)
Σημείωση:
Βεβαιωθείτε ότι δεν υπάρχει διάκενο ανάμεσα στην κύρια μονάδα και τη γρίλια ή ανάμεσα στη γρίλια και την επιφάνεια της οροφής. (Fig. 9-6)

Εάν υπάρχει διάκενο ανάμεσα στη γρίλια και την οροφή:
Με τη γρίλια προσαρτημένη, προσαρμόστε ελαφρώς το ύψος εγκατάστασης της κύριας μονάδας και εξαλείψτε το διάκενο.

⚠ Προσοχή:

- Κατά τη σύσφιξη της βίδας, φροντίστε ώστε η ροπή σύσφιξης να είναι 2,8 N•m έως 3,6 N•m. Μη χρησιμοποιείτε ποτέ κρουστικό κατασβίδι.
- Αφού σφίξετε τη βίδα, επιβεβαιώστε ότι τα δύο άγκιστρα της γρίλιας (Fig. 9-6) έχουν μανδαλώσει στα άγκιστρα της κύριας μονάδας.

9.4.4. Σύνδεση καλωδίου (Fig. 9-8)

- Ξεσφίξτε τις 2 βίδες που στερεώνουν το κάλυμμα του ηλεκτρικού κουτιού στην κύρια μονάδα και σύρετε το κάλυμμα για να το ανοίξετε.
- Περάστε το καλώδιο από το πλάι του ηλεκτρικού κουτιού.
- Φροντίστε να το συνδέσετε έναν συνδετήρα για περυγιωτό μοτέρ (λευκό, 20 πόλων) στον συνδετήρα CNV (λευκό) της πλακέτας ελεγκτή στην κύρια μονάδα.
- Τα καλώδια που ξεκινούν από τη γρίλια πρέπει να συγκρατούνται μαζί, χωρίς τζόγο, με τη χρήση ενός σφιγκτήρα μέσα στο ηλεκτρικό κουτί.

9.4.5. Εγκατάσταση του δέκτη σημάτων (Fig. 9-9)

- Περάστε το ηλεκτρικό καλώδιο (λευκό, 9 πόλων) για το γωνιακό πλαίσιο του δέκτη σημάτων από το πλάι του ηλεκτρικού κουτιού πάνω στην κύρια μονάδα.
- Φροντίστε να το συνδέσετε στο CN90 (λευκό) στην πλακέτα του ελεγκτή.
- Βεβαιωθείτε ότι το ηλεκτρικό καλώδιο του γωνιακού πλαισίου του δέκτη σημάτων διέρχεται μέσω της προεξοχής του κωδωνοειδούς στομίου.
- Τα υπόλοιπα καλώδια πρέπει να συγκρατούνται μαζί, χωρίς τζόγο, με τη χρήση ενός σφιγκτήρα μέσα στο ηλεκτρικό κουτί.
- Τοποθετήστε το κάλυμμα ξανά στο ηλεκτρικό κουτί, χρησιμοποιώντας τις 2 βίδες.
Σημείωση:
Φροντίστε ώστε τα καλώδια να μην πιαστούν στο κάλυμμα του ηλεκτρικού κουτιού. Εγκαταστήστε το γωνιακό πλαίσιο του δέκτη σημάτων πάνω στον πίνακα και στερεώστε με τη βίδα.
Το γωνιακό πλαίσιο του δέκτη σημάτων δεν μπορεί να εγκατασταθεί στην πλευρά του σωλήνα αποστράγγισης για την κύρια μονάδα. (Ανατρέξτε στην Fig. 9-10)

- Ⓐ Γωνιακό πλαίσιο του δέκτη σημάτων
- Ⓑ Οπή της γρίλιας (διέλευση του ηλεκτρικού καλωδίου.)
- Ⓒ Προεξοχή του κωδωνοειδούς στομίου
- Ⓓ Καλώδιο
- Ⓔ Σφιγκτήρας
- Ⓕ Ταινία καλωδίων (ασφάλιση του ηλεκτρικού καλωδίου)
- Ⓖ CN90 στην πλακέτα ελεγκτή
- Ⓗ Βίδα

9. Πώς τοποθετούνται οι γρίλιες

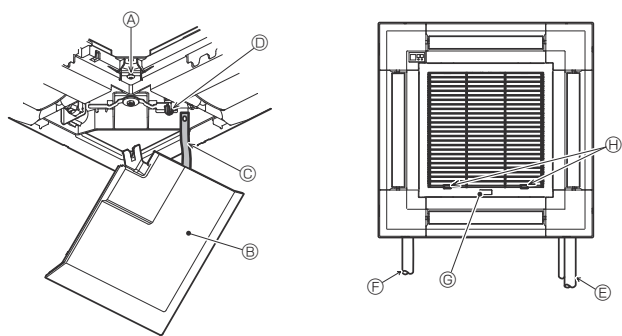


Fig. 9-11

9.7. Πώς τοποθετούνται οι γρίλιες εισαγωγής αέρα (Fig. 9-11)

Σημείωση:

Κατά την επανεγκατάσταση των γωνιακών πλαισίων (το καθένα με προσαρτημένη ταινία ασφαλείας), συνδέστε το άλλο άκρο της κάθε ταινίας ασφαλείας στη γρίλια, όπως φαίνεται στην εικόνα.

* Εάν τα γωνιακά πλαίσια δεν προσαρτηθούν σωστά, ενδέχεται να πέσουν κατά τη διάρκεια της λειτουργίας της κύριας μονάδας.

• Εκτελέστε τη διαδικασία που περιγράφεται στην ενότητα "9.2. Προετοιμασία για την προσαρτήση της γρίλιας" με την αντίστροφη σειρά για να εγκαταστήσετε τη γρίλια εισαγωγής και το γωνιακό πλαίσιο.

• Η κατεύθυνση της γρίλιας εισαγωγής μπορεί να αλλάξει, ανάλογα με την επιθυμία του πελάτη.

Ⓐ Βίδα (4 × 16)

Ⓑ Γωνιακό πλαίσιο

Ⓒ Ταινία ασφαλείας

Ⓓ Άγκιστρο

Ⓔ Σωλήνας ψυκτικού

Ⓕ Σωλήνας αποστράγγισης

Ⓖ Λογότυπο εταιρείας

* Η εγκατάσταση μπορεί να γίνει σε οποιαδήποτε θέση.

Ⓗ Αρχική θέση των μοχλών στη γρίλια εισαγωγής

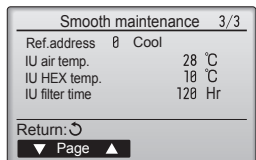
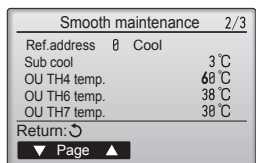
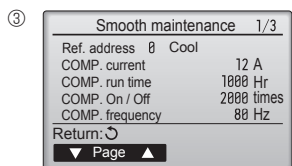
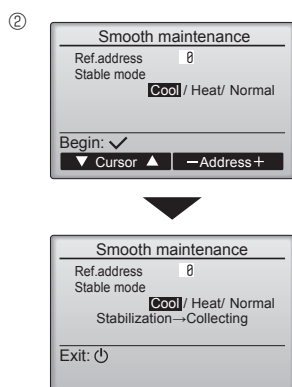
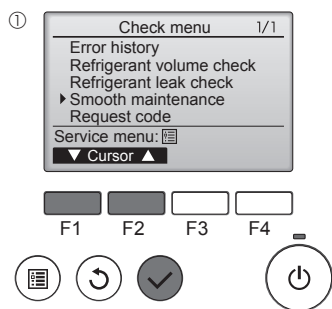
* Παρόλο που τα κλιπ μπορούν να εγκατασταθούν σε οποιαδήποτε από τις 4 θέσεις, η διαμόρφωση που φαίνεται εδώ προτείνεται. (Δεν χρειάζεται να αφαιρέσετε τη γρίλια εισαγωγής για την εκτέλεση της συντήρησης στο ηλεκτρικό κουτί της κύριας μονάδας.)

10. Λειτουργία εύκολης συντήρησης

Με την επιλογή "Smooth maintenance" (Ομαλή συντήρηση) μπορούν να εμφανιστούν πληροφορίες συντήρησης, όπως η θερμοκρασία του εναλλάκτη θερμότητας της εσωτερικής/εξωτερικής μονάδας και το ρεύμα λειτουργίας του συμπιεστή.

* Αυτό δεν μπορεί να πραγματοποιηθεί κατά τη δοκιμαστική λειτουργία.

* Η λειτουργία αυτή μπορεί να μην υποστηρίζεται από μερικά μοντέλα, ανάλογα με το συνδυασμό με την εξωτερική μονάδα.



• Επιλέξτε "Service" (Σέρβις) από το Main menu (Βασικό μενού) και πατήστε το κουμπί [ΕΠΙΛΟΓΗ].

• Επιλέξτε "Check" (Έλεγχος) με το κουμπί [F1] ή [F2] και, στη συνέχεια, πατήστε το κουμπί [ΕΠΙΛΟΓΗ].

• Επιλέξτε "Smooth maintenance" (Ομαλή συντήρηση) με το κουμπί [F1] ή [F2] και, στη συνέχεια, πατήστε το κουμπί [ΕΠΙΛΟΓΗ].

Επιλέξτε κάθε στοιχείο

• Επιλέξτε το στοιχείο που θέλετε να αλλάξετε με το κουμπί [F1] ή [F2].

• Επιλέξτε την απαιτούμενη ρύθμιση χρησιμοποιώντας το κουμπί [F3] ή [F4].

Ρύθμιση "Ref. address" (Διεύθυνση ψυκτικού) "0" - "15"

Ρύθμιση "Stable mode" (Σταθερή λειτουργία)..... "Cool" (Ψύξη) /
"Heat" (Θέρμανση) /
"Normal" (Κανονική)

• Πατήστε το κουμπί [ΕΠΙΛΟΓΗ] για να ξεκινήσει η σταθερή λειτουργία.

* Η Stable mode (Σταθερή λειτουργία) θα διαρκέσει περίπου 20 λεπτά.

Θα εμφανιστούν τα δεδομένα λειτουργίας.

Ο συνολικός χρόνος λειτουργίας του συμπιεστή [COMP. run (Λειτ. ΣΥΜΠ.)] είναι μια μονάδα 10 ωρών, και ο αριθμός φορών λειτουργίας του συμπιεστή [COMP. On/Off (Ενεργ./απενεργ. ΣΥΜΠ)] είναι μια μονάδα 100 φορών (τα κλάσματα απορρίπτονται)

Πλοήγηση μέσα από τις οθόνες

- Για επιστροφή στο Main menu (Βασικό μενού).....Κουμπί [ΜΕΝΟΥ]
- Για επιστροφή στην προηγούμενη οθόνηΚουμπί [ΕΠΙΣΤΡΟΦΗ]

Índice





1. Precauções de Segurança	135	6. Trabalho de electricidade	141
2. Localização da instalação	136	7. Ensaio	147
3. Instalação da unidade interior	137	8. Controlo do sistema	150
4. Instalação da tubagem do refrigerante	139	9. Instalação da grelha	151
5. Trabalho de tubagem de drenagem	140	10. Função de manutenção fácil	153

Nota:
Neste manual de instalação, a frase “Controlo remoto com fio” refere-se ao PAR-32MAA.
Caso necessite de alguma informação sobre o outro controlo remoto, consulte o manual de instalação ou o manual de configuração inicial fornecidos nestas caixas.


1. Precauções de Segurança

- ▶ Antes de instalar a unidade, leia atentamente as “Precauções de segurança”.
- ▶ As “Precauções de segurança” referem aspectos de grande importância relativos à segurança. Observe-os.
- ▶ Reporte-se ou peça autorização à autoridade responsável pelo fornecimento de energia antes de proceder à ligação deste equipamento ao sistema de alimentação eléctrica.

SIGNIFICADO DOS SÍMBOLOS EXIBIDOS NA UNIDADE


	AVISO (Risco de incêndio)	Este símbolo destina-se apenas ao refrigerante R32. O tipo de refrigerante está indicado na placa de identificação da unidade exterior. Se o tipo de refrigerante for o R32, esta unidade utiliza um refrigerante inflamável. Se ocorrer uma fuga de refrigerante e este entrar em contacto com fogo ou uma peça de aquecimento, irá criar um gás nocivo e existe o risco de incêndio.
		Leia atentamente o MANUAL DE OPERAÇÃO antes da utilização.
		É necessário que o pessoal de assistência técnica leia atentamente o MANUAL DE OPERAÇÃO e o MANUAL DE INSTALAÇÃO antes da utilização.
		Está disponível informação mais pormenorizada no MANUAL DE OPERAÇÃO, no MANUAL DE INSTALAÇÃO e em documentação semelhante.


Símbolos utilizados no texto

 **Aviso:**
Descreve as precauções a observar para evitar riscos de ferimentos ou morte ao utilizador.

 **Cuidado:**
Descreve os cuidados a ter para não danificar o aparelho.

Símbolos utilizados nas ilustrações

 : Indica uma peça a ligar à terra.

 : Não faça isso de maneira alguma.

Após ter concluído a instalação, explique as “Precauções de Segurança”, a utilização e a manutenção da unidade ao cliente, de acordo com as informações do Manual de Funcionamento, e efectue um ensaio para verificar se a unidade está a funcionar correctamente. O Manual de Instalação e o Manual de Funcionamento devem ser fornecidos ao utilizador, para que este os guarde. Os referidos manuais deverão ser fornecidos a utilizadores futuros.

Aviso:

- Leia atentamente os rótulos afixados na unidade principal.
- Peça a um concessionário ou electricista qualificado que instale, mude de sítio ou repare a unidade.
- O utilizador nunca deve tentar reparar a unidade ou transferi-la para uma outra localização.
- Não modifique a unidade.
- Para proceder à instalação e mudança de sítio, siga as instruções do Manual de Instalação e utilize ferramentas e componentes da tubagem especificamente concebidos para utilização com o refrigerante especificado no manual de instalação da unidade exterior.
- A unidade deve ser instalada de acordo com as instruções, para minimizar o risco de danos sofridos devido a tremores de terra ou ventos fortes. Uma unidade instalada incorrectamente pode cair e provocar danos ou ferimentos.
- A unidade deve ser instalada com segurança numa estrutura que suporte o seu peso.
- O aparelho deve ser guardado numa área bem ventilada cujas dimensões correspondam às da área especificada para o funcionamento.
- Se o aparelho de ar condicionado for instalado numa divisão pequena ou fechada, deverão ser tomadas medidas por forma a evitar que a concentração do refrigerante exceda o limite de segurança em caso de fuga de refrigerante. Em caso de fuga de refrigerante e de ultrapassagem do limite de concentração, poderá haver potenciais perigos devido à falta de oxigénio no compartimento.
- Mantenha aparelhos de combustão a gás, aquecedores eléctricos e outras fontes de ignição (fogo) afastados do local de instalação, de reparação e de outras operações do aparelho de ar condicionado.
Se o refrigerante entrar em contacto com uma chama, serão libertados gases tóxicos.
- Ventile o compartimento em caso de fuga de refrigerante durante o funcionamento. Se o refrigerante entrar em contacto com fogo, serão libertados gases tóxicos.
- Todos os trabalhos de electricidade devem ser levados a cabo por um electricista qualificado e em conformidade com a regulamentação local e as instruções fornecidas neste manual.
- Utilize apenas os cabos eléctricos indicados. As ligações devem ser efectuadas de modo seguro e sem tensão nos terminais. Do mesmo modo, nunca una os cabos para ligação (salvo especificado em contrário neste documento). A inobservância destas instruções pode resultar num sobreaquecimento ou num incêndio.
- Quando instalar, mudar de sítio ou efectuar manutenção ao aparelho de ar condicionado, utilize apenas o refrigerante especificado, indicado na unidade exterior, para carregar as linhas de refrigerante. Não o misture com qualquer outro refrigerante e assegure-se de que não fica ar nas linhas.
Se o ar for misturado com o refrigerante, tal pode causar uma pressão alta anómala na linha do refrigerante, o que pode resultar numa explosão e outros perigos.

- O uso de qualquer refrigerante diferente do especificado para o sistema causará uma falha mecânica ou avaria do sistema ou falta da unidade. No pior dos casos, isto pode comprometer seriamente a segurança do produto.
- O dispositivo será instalado de acordo com os regulamentos nacionais de instalações eléctricas.
- Este aparelho não se destina a ser utilizado por pessoas (incluindo crianças) com capacidades físicas, sensoriais ou mentais reduzidas, nem por pessoas sem experiência e conhecimentos, salvo se as mesmas forem supervisionadas ou tiverem recebido instruções relativamente à utilização do aparelho pela pessoa responsável pela sua segurança.
- Deve ser prestada especial atenção às crianças, para que não brinquem com o aparelho.
- O painel da tampa do bloco terminal da unidade deve ser bem fixo.
- No caso de danificação do cabo de alimentação, este deve ser substituído pelo fabricante, agente de assistência ou pessoas de qualificação semelhante para evitar um perigo.
- Utilize só acessórios autorizados pela Mitsubishi Electric e peça ao seu distribuidor ou a uma empresa autorizada que os instale.
- Depois de a instalação estar concluída, verifique se não existem fugas de refrigerante. Se ocorrer uma fuga de refrigerante no compartimento e entrar em contacto com uma chama proveniente de outro dispositivo, serão libertados gases tóxicos.
- Não utilize meios para acelerar o processo de descongelamento ou para limpeza diferentes dos recomendados pelo fabricante.
- O aparelho deve ser armazenado numa divisão onde não existam fontes de ignição em funcionamento contínuo (por exemplo: chamas abertas, um aparelho a gás ou um aquecedor eléctrico em funcionamento).
- Não fure ou queime.
- Tenha em atenção que os refrigerantes podem ser inodoros.
- As tubagens devem estar protegidas de danos físicos.
- A instalação das tubagens deve ser reduzida ao mínimo.
- Devem ser observados os regulamentos nacionais relativos ao gás.
- Mantenha sem obstruções as entradas de ventilação necessárias.
- Não utilize uma liga de solda de baixa temperatura se for necessário efectuar a brasagem da tubagem do refrigerante.
- Quando proceder à brasagem, ventile suficientemente a divisão.
Certifique-se de que não existem materiais perigosos ou inflamáveis nas proximidades.
Quando realizar a operação numa divisão fechada, numa divisão pequena ou num local semelhante, certifique-se de que não existem fugas de refrigerante antes de efectuar a operação.
Se ocorrer uma fuga de refrigerante e este se acumular, poderá entrar em combustão ou poderão ser libertados gases tóxicos.

1. Precauções de Segurança

1.1. Antes da instalação (Ambiente)

⚠ Cuidado:

- Não utilize a unidade num ambiente invulgar. Se o aparelho de ar condicionado for instalado em áreas expostas a vapor, óleo volátil (incluindo óleo de máquinas) ou a gás sulfúrico, áreas expostas a uma grande concentração de sal, tal como à beira-mar, o rendimento poderá ser significativamente reduzido e as peças internas podem ser danificadas.
- Não instale a unidade onde possam ocorrer fugas, produção, fluxo ou acumulação de gases combustíveis. Em caso de acumulação de gás combustível em torno da unidade, podem ocorrer incêndios ou explosões.
- Não mantenha alimentos, plantas, gaiolas com animais, peças de arte ou instrumentos de precisão perto do fluxo de ar da unidade interior ou demasiado perto da unidade, pois os referidos objectos podem ser danificados devido a alterações de temperatura ou fugas de água.
- Se a humidade do compartimento exceder 80% ou o tubo de drenagem estiver entupido, poderá gotejar água da unidade interior. Não instale a unidade interior onde esse gotejamento possa causar danos.
- Ao instalar a unidade num hospital ou gabinete de comunicações, não estranhe se verificar ruído e interferência eléctrica. Inversores, electrodomésticos, equipamento médico de alta frequência e equipamento de comunicação por rádio podem provocar mau funcionamento ou avaria do aparelho de ar condicionado. O ar condicionado também pode afectar equipamento médico, perturbando a prestação dos serviços médicos, e equipamento de comunicações, comprometendo a qualidade da imagem de ecrãs.

1.2. Antes da instalação ou transferência

⚠ Cuidado:

- Tenha muito cuidado ao transportar as unidades. São precisas duas ou mais pessoas para transportar a unidade, uma vez que esta pesa 20 kg ou mais. Não agarre nas bandas da embalagem. Use luvas de protecção, pois pode ferir as mãos nas palhetas e noutras peças.
- Assegure-se de que elimina com segurança os materiais de embalagem. Materiais de embalagem tais como pregos e outras peças em metal ou madeira podem provocar cortes ou outros ferimentos.
- É necessário colocar isolamento térmico no tubo de refrigerante para impedir a formação de condensação. Se o tubo de refrigerante não for devidamente isolado, irá ocorrer formação de condensação.
- Coloque isolamento térmico nos tubos, para impedir a formação de condensação. Se o tubo de drenagem for instalado incorrectamente, podem verificar-se fugas de água e danos no tecto, chão e outras áreas.
- Não limpe o aparelho de ar condicionado com água. Poderá provocar choques eléctricos.
- Aperte bem todas as porcas afuniladas, utilizando uma chave dinamómetro. Se forem demasiadamente apertadas, poderão quebrar passado algum tempo.
- Se a unidade for utilizada durante um longo período de tempo quando o ar acima do teto estiver com uma temperatura/humidade elevadas (ponto de condensação superior a 26 °C), poderá formar-se humidade por condensação na unidade interior ou nos materiais do teto. Quando utilizar unidades nestas condições, adicione material de isolamento (10-20 mm) em toda a superfície da unidade e dos materiais do teto para evitar humidade por condensação.

1.3. Antes do trabalho de electricidade

⚠ Cuidado:

- Assegure-se de que instala disjuntores. Se não forem instalados disjuntores, podem ocorrer choques eléctricos.
- Para as linhas de alta tensão, utilize cabos normalizados de capacidade suficiente. De outro modo, poderá ocorrer um curto-circuito, sobreaquecimento ou incêndio.
- Ao instalar as linhas de alimentação, não aplique tensão nos cabos.
- Assegure-se de que liga a unidade à terra. Se a unidade não for devidamente ligada à terra, poderão ocorrer choques eléctricos.
- Utilize disjuntores (interruptor de falha de ligação à terra, interruptor de isolamento (fusível +B) e disjuntor com protecção moldada) com a capacidade especificada. Se a capacidade do disjuntor for superior à capacidade especificada, podem ocorrer avarias ou incêndios.

1.4. Antes de iniciar o ensaio

⚠ Cuidado:

- Ligue o interruptor principal de corrente mais de doze horas antes de dar início ao funcionamento. Se o funcionamento tiver início imediatamente depois de ligar o interruptor principal, tal poderá danificar seriamente as peças internas.
- Antes de o funcionamento ter início, verifique se todos os painéis e outras peças de protecção foram correctamente instalados. Peças rotativas, quentes ou de alta tensão podem causar ferimentos.
- Não utilize o aparelho de ar condicionado sem que o filtro de ar esteja correctamente instalado. Se o filtro de ar não estiver instalado, pode ocorrer acumulação de poeiras e provocar avarias.
- Não toque em nenhum interruptor com as mãos molhadas. Poderá provocar choques eléctricos.
- Quando o aparelho de ar condicionado estiver a funcionar, não toque nos tubos do refrigerante sem qualquer protecção nas mãos.
- Após interromper o funcionamento, espere pelo menos cinco minutos antes de desligar o interruptor principal. De outro modo, poderá originar fugas de água ou avarias.

2. Localização da instalação

Consulte o manual de instalação da unidade exterior.

3. Instalação da unidade interior

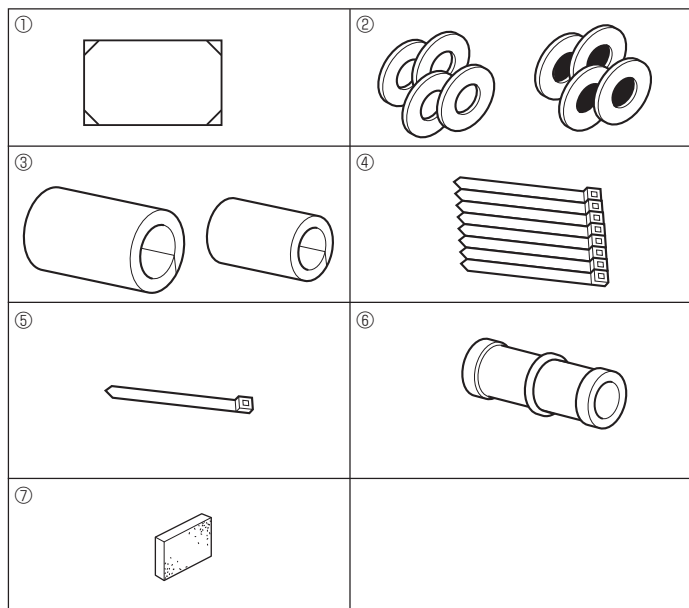


Fig. 3-1

3.1. Verificação dos acessórios da unidade interior (Fig. 3-1)

A unidade interior deve ser fornecida com os seguintes acessórios.

	Nome do acessório	Q.de
①	Exemplo de instalação (topo da embalagem)	1
②	Arruelas (com isolamento)	4
	Arruelas (sem isolamento)	4
③	Tampa do tubo (para junta da tubagem de refrigerante)	
	Pequeno diâmetro	1
	Grande diâmetro	1
④	Banda (grande)	8
⑤	Banda (pequena)	1
⑥	Bocal de drenagem	1
⑦	Isolação	1

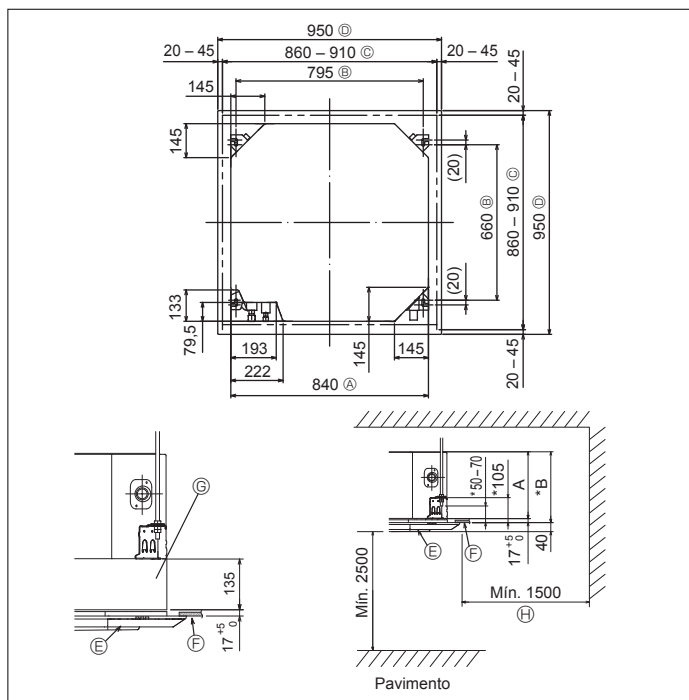


Fig. 3-2

3.2. Localizações das aberturas no tecto e da instalação dos parafusos de suspensão (Fig. 3-2)

⚠ Cuidado:

Instale a unidade interior, pelo menos, 2,5 m acima do nível do pavimento ou grau. Para aparelhos não acessíveis ao público em geral.

• Utilizando o modelo de instalação (topo da embalagem) e o medidor (fornecido como acessório com a grelha), faça uma abertura no tecto para que a unidade principal possa ser instalada tal como exibido no diagrama. (É demonstrado o método para utilizar o modelo e o medidor.)

* Antes de começar, verifique as dimensões do exemplo e as medidas, devido estas mudarem com a flutuação da temperatura e da humidade.

* As dimensões da abertura do tecto podem ser reguladas dentro dos limites indicados na Fig. 3-2. Por isso, centre a unidade principal na abertura do tecto, de maneira a que os lados opostos correspondentes aos lados da abertura sejam idênticos.

• Utilize parafusos de suspensão M10 (3/8").

* Os parafusos de suspensão devem ser adquiridos localmente.

• Instale com segurança, de maneira que não haja qualquer folga entre o painel do tecto e a grelha, nem entre a unidade principal e a grelha.

- Ⓐ Face exterior da unidade principal
- Ⓑ Distância do parafuso
- Ⓒ Abertura do tecto
- Ⓓ Face exterior da grelha
- Ⓔ Grelha
- Ⓕ Tecto
- Ⓖ Armação de funções múltiplas (opcional)
- Ⓗ Toda a periferia

* Note que é necessário deixar um espaço de 7 mm ou mais entre o painel do teto da unidade e a placa do teto.

* Assim que a armação de funções múltiplas for instalada, adicione 135 mm às dimensões marcadas na figura.

(mm)

Modelos	A	B
SM71	241	258
SM100-140	281	298

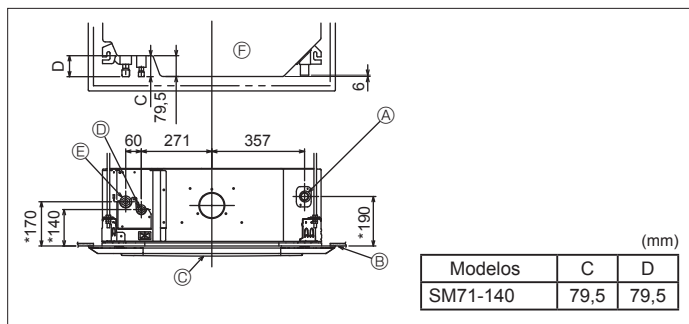


Fig. 3-3

3.3. Locais da tubagem de drenagem da unidade interior e de refrigerante (Fig. 3-3)

Os números marcados com * no desenho representam as dimensões da unidade principal excluindo as da armação de funções múltiplas opcional.

- Ⓐ Tubo de drenagem
- Ⓑ Tecto
- Ⓒ Grelha
- Ⓓ Tubo de refrigerante (líquido)
- Ⓔ Tubo de refrigerante (gás)
- Ⓕ Unidade principal

* Quando instalar a armação de funções múltiplas opcional, acrescente 135 mm às dimensões marcadas na figura.

Modelos	C	D
SM71-140	79,5	79,5

3. Instalação da unidade interior

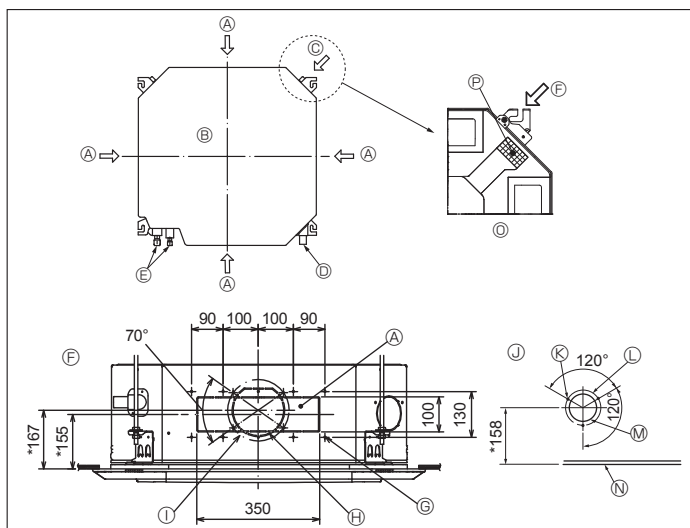


Fig. 3-4

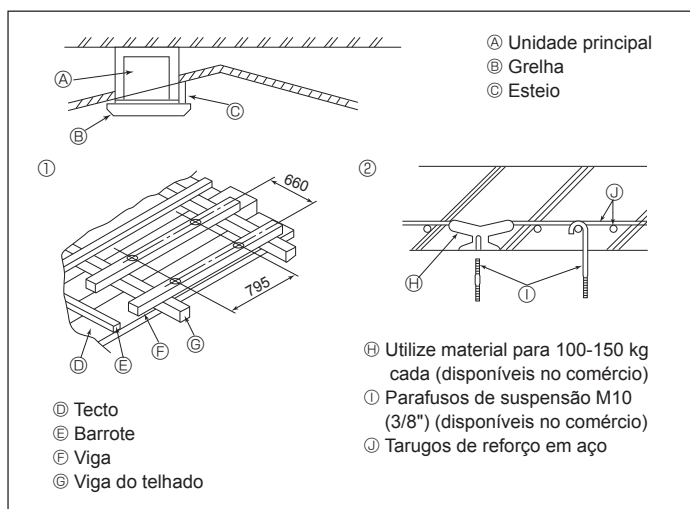


Fig. 3-5

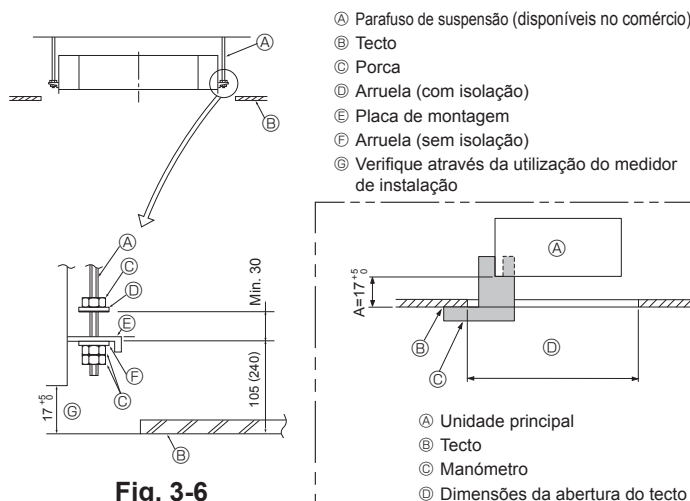


Fig. 3-6

- Ⓐ Parafuso de suspensão (disponíveis no comércio)
- Ⓑ Tecto
- Ⓒ Porca
- Ⓓ Arruela (com isolamento)
- Ⓔ Placa de montagem
- Ⓕ Arruela (sem isolamento)
- Ⓖ Verifique através da utilização do medidor de instalação

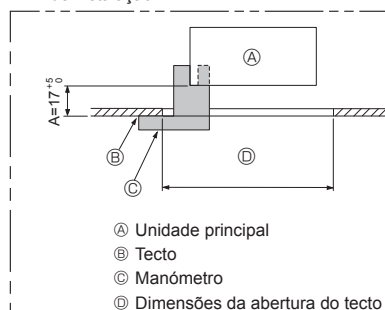


Fig. 3-7

- Ⓐ Unidade principal
- Ⓑ Tecto
- Ⓒ Manómetro
- Ⓓ Dimensões da abertura do tecto

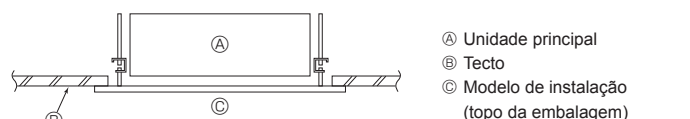


Fig. 3-8

- Ⓐ Unidade principal
- Ⓑ Tecto
- Ⓒ Modelo de instalação (topo da embalagem)

3.4. Orifício do conduto de derivação e orifício de admissão de ar fresco (Fig. 3-4)

No momento da instalação, utilize os orifícios do conduto (separador) situados nas posições indicadas na Fig. 3-4, como e quando necessário.

- Pode também ser feito um orifício de admissão de ar fresco para a armação de funções múltiplas opcional.

Nota:

- Os números marcados com * no desenho representam as dimensões da unidade principal excluindo as da armação de funções múltiplas opcional.
- Quando instalar a armação de funções múltiplas opcional, acrescente 135 mm às dimensões marcadas na figura.
- Quando instalar os condutos de derivação, certifique-se de que os isola devidamente. Caso contrário, poderá ocorrer condensação e queda de gotas.
- Quando instalar o orifício de admissão de ar fresco, certifique-se de que retira o isolador Ⓔ que é colado na unidade interior.
- Quando o ar exterior entra diretamente através da unidade principal, o volume do ar admitido deve ser 5% ou menos do que o volume de ar da unidade interior.
- Para a entrada do ar exterior, é necessário usar a ventoinha da conduta e o filtro de recolha de pó para evitar a captação de pó e de outras partículas. Para mais informações, consulte "Características do volume de ar fresco admitido e pressão estática" no LIVRO DE DADOS (DATA BOOK) da Série P.
- Quando o ar exterior entra para a unidade principal, o ruído de funcionamento poderá ser superior.

- Ⓐ Orifício do conduto de derivação
- Ⓑ Unidade principal
- Ⓒ Orifício de admissão de ar fresco
- Ⓓ Tubo de drenagem
- Ⓔ Tubo do refrigerante
- Ⓕ Diagrama do orifício do conduto de derivação (vista de qualquer um dos lados)
- Ⓖ Parafusos de derivação de 3-4×10
- Ⓗ Orifício de separador ⌀150
- Ⓘ Distância do orifício de passagem ⌀175
- Ⓢ Diagrama do orifício de admissão de ar fresco
- Ⓚ Parafusos de derivação de 3-4×10
- Ⓛ Distância do orifício de passagem ⌀125
- Ⓜ Orifício de separador ⌀100
- Ⓝ Parafusos de derivação de 14-4×10
- Ⓡ Orifício de separador ⌀120
- Ⓝ Tecto
- Ⓣ Figura detalhada de remoção do isolador
- Ⓟ Isolamento

3.5. Estrutura de suspensão (Dar ao lugar de suspensão uma estrutura forte) (Fig. 3-5)

Trabalhar num tecto difere de uma construção para a outra. É necessário consultar os construtores e decoradores de interior para informações precisas.

- (1) Amplitude da remoção do tecto: o tecto deve ser mantido completamente horizontal e as bases do tecto (estrutura: fasquias de madeira e suportes das fasquias) devem ser reforçadas para proteger o tecto contra as vibrações.
- (2) Corte e retire a base do tecto onde este for cortado e acrescente base do tecto para segurar as extremidades da estrutura do tecto.
- (3) Reforce as extremidades da base do tecto onde este for cortado e acrescente base do tecto para segurar as extremidades da estrutura do tecto.
- (4) Para instalar a unidade interior num tecto inclinado, fixe um esteio entre o tecto e a grelha e faça com que a unidade seja instalada horizontalmente.

- Ⓛ Estruturas de madeira
 - Utilize travessas (casas de um andar) ou vigas no segundo andar (casas de dois andares) para reforçar.
 - As vigas de madeira para suspensão as unidades de ar condicionado devem ser resistentes e os lados devem ter pelo menos 6 cm de comprimento se as vigas estiverem separadas menos de 90 cm e os seus lados devem ter, pelo menos, 9 cm de comprimento, se os travessas estiverem separadas no máximo 180 cm. A dimensão dos parafusos de suspensão deve ser ⌀10 (3/8"). (Os parafusos não são fornecidos com a unidade.)

- Ⓛ Estruturas de cimento armado
 - Segure os parafusos de suspensão da maneira indicada ou utilizando ganchos de aço ou de madeira, etc. para instalar os parafusos de suspensão:

3.6. Processo de suspensão da unidade (Fig. 3-6)

Suspenda a unidade principal da maneira indicada no diagrama. Os números entre parêntesis representam as dimensões em caso de instalação da armação de funções múltiplas opcional.

1. Coloque, primeiro, as peças nos parafusos de suspensão na ordem que segue: arruelas (com isolamento)-, arruelas (sem isolamento) e porcas (duplas).
 - Instale a arruela com isolamento de maneira que a isolamento fique voltada para baixo.
 - Se utilizar arruelas superiores para suspender a unidade principal, as arruelas inferiores (com isolamento) e as porcas (duplas) devem ser colocadas depois.
2. Levante a unidade até à altura dos parafusos de suspensão para colocar a placa de montagem entre as arruelas e depois aperte-a bem.
3. Se a unidade principal não puder ser alinhada contra o orifício de montagem no tecto, é possível ajustar este orifício com a fenda existente na placa de montagem.
 - Certifique-se de que o passo A é realizado com 17-22 mm. Se não aderir a esta amplitude de valores poderão ocorrer danos. (Fig. 3-7)

⚠ Cuidado:

Utilize a metade superior da caixa como uma cobertura de protecção para evitar que a poeira ou a sujidade penetrem na unidade antes da instalação da tampa decorativa ou quando aplicar materiais no tecto.

3.7. Confirmação da posição da unidade principal aperto dos parafusos de suspensão (Fig. 3-8)

- Utilizando o calibrador junto à grelha, assegure-se de que o fundo da unidade principal está bem alinhado com a abertura no tecto. Certifique-se bem disso, senão poderá ocorrer condensação e queda de gotas de água provocadas por fugas de ar.
- Certifique-se de que a unidade principal está bem horizontal, utilizando um nível ou um tubo vinílico com água.
- Depois de verificar a posição da unidade principal, aperte firmemente as porcas dos parafusos de suspensão para a apertar.
- O modelo de instalação (topo da embalagem) pode ser utilizado como uma camada de protecção para evitar que as poeiras entrem na unidade principal quando as grelhas são deixadas abertas durante algum tempo ou quando os materiais do tecto se destinam a ser revestidos após a instalação da unidade ter terminado.
- * Para pormenores de instalação, consulte as instruções fornecidas no exemplo de instalação. (topo da embalagem)

4. Instalação da tubagem do refrigerante

4.1. Precauções

Para aparelhos que utilizam o refrigerante R32/R410A

- Utilize óleo de alquilbenzeno (pequena quantidade) como óleo de refrigeração para revestir as secções afuniladas.
- Utilize fósforo de cobre C1220, para tubagens de cobre ou de liga de cobre sem juntas, para ligar a tubagem do refrigerante. Utilize tubos de refrigerante com a espessura especificada na tabela. Certifique-se de que o interior da tubagem está limpo e não contém substâncias tóxicas, tais como compostos de enxofre, oxidantes, sujidade ou poeira.

⚠ **Aviso:**

Quando instalar, mudar de sítio ou efectuar manutenção ao aparelho de ar condicionado, utilize apenas o refrigerante especificado, indicado na unidade exterior, para carregar as linhas de refrigerante. Não o misture com qualquer outro refrigerante e assegure-se de que não fica ar nas linhas. Se o ar for misturado com o refrigerante, tal pode causar uma pressão alta anómala na linha do refrigerante, o que pode resultar numa explosão e outros perigos.

O uso de qualquer refrigerante diferente do especificado para o sistema causará uma falha mecânica ou avaria do sistema ou falta da unidade. No pior dos casos, isto pode comprometer seriamente a segurança do produto.

ø6,35 espessura 0,8 mm	ø9,52 espessura 0,8 mm
ø12,7 espessura 0,8 mm	ø15,88 espessura 1,0 mm

- Não utilize tubos com uma espessura menor do que a indicada.

4.2. Tubos de ligação (Fig. 4-1)

- Se forem utilizados tubos de cobre comercialmente disponíveis, limpe os tubos de líquido e de gás com materiais de isolamento comercialmente disponíveis (resistentes ao calor de 100 °C ou mais, com uma espessura de 12 mm ou mais).
- Aplique uma fina camada de óleo refrigerante ao tubo e à superfície de costura da junta antes de apertar a porca do tubo.
- Aperte os tubos de ligação com duas chaves.
- Use o isolamento da tubagem de refrigerante fornecido para isolar as ligações da unidade interior. Isole cuidadosamente.
- Depois de ligar a tubagem de refrigerante para a unidade interior, certifique-se de que com gás nitrogénio testa fugas de gás nas ligações dos tubos. (Verifique se não há fuga de refrigerante da tubagem de refrigerante para a unidade interior.)
- Utilize a porca afunilada instalada nesta unidade interior.
- Para voltar a ligar os tubos refrigerantes depois de os desmontar, restaure a parte afunilada do tubo.

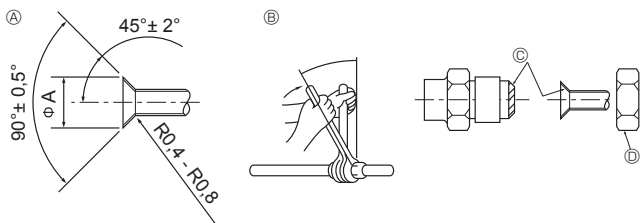


Fig. 4-1

A Dimensões do corte de afunilamento

Tubo de cobre O.D. (mm)	Dimensões de afunilamento øA dimensões (mm)
ø6,35	8,7 - 9,1
ø9,52	12,8 - 13,2
ø12,7	16,2 - 16,6
ø15,88	19,3 - 19,7

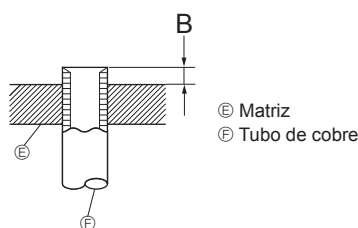


Fig. 4-2

Tubo de cobre O.D. (mm)	B (mm)	
	Ferramenta de afunilamento para R32/R410A	Tipo de alavanca
ø6,35 (1/4")	0 - 0,5	
ø9,52 (3/8")	0 - 0,5	
ø12,7 (1/2")	0 - 0,5	
ø15,88 (5/8")	0 - 0,5	

B Binário de aperto da porca afunilada

Tubo de cobre O.D. (mm)	Porca afunilada O.D. (mm)	Binário de Aperto (N·m)
ø6,35	17	14 - 18
ø6,35	22	34 - 42
ø9,52	22	34 - 42
ø12,7	26	49 - 61
ø15,88	29	68 - 82

- Aplique óleo de máquina refrigerante em toda a superfície de encaixe de afunilamento.
- Utilize as porcas afuniladas correctas, adequadas ao tamanho do tubo da unidade exterior.

Tamanho de tubo disponível

	SM71-140
Liquid side	ø9,52 O
Lado do gás	ø15,88 O

O : Ligação de fábrica da porca afunilada ao permutador de calor.

⚠ **Aviso:**

- **Tenha cuidado com a porca afunilada! (Pressurizada internamente)**
Retire a porca afunilada da seguinte forma:
 1. Desaperte a porca até que ouça um som tipo assobio.
 2. Não retire a porca até que o gás tenha sido completamente libertado (ou seja, até o som tipo assobio parar).
 3. Verifique se o gás foi completamente libertado e, em seguida, retire a porca.
- Quando instalar a unidade, ligue os tubos de refrigerante firmemente antes de ligar o compressor.

4. Instalação da tubagem do refrigerante

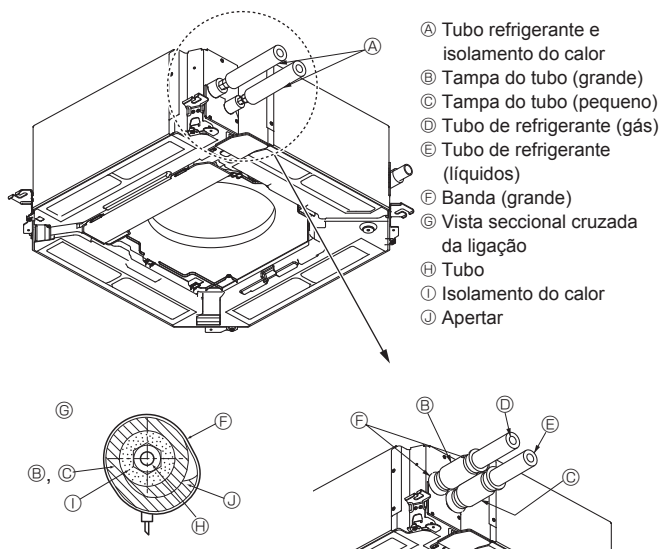


Fig. 4-3

Isolamento do calor para os tubos do refrigerante (Fig. 4-3)

- 1 Enrole a cobertura de tubo de grandes dimensões incluída à volta do tubo de gás, certificando-se de que a extremidade da cobertura do tubo toca na parte lateral da unidade.
- 2 Enrole a cobertura de tubo de pequenas dimensões incluída à volta do tubo de líquido, certificando-se de que a extremidade da cobertura do tubo toca na parte lateral da unidade.
- 3 Fixe as duas extremidades de cada cobertura de tubo com as bandas incluídas. (Prenda as bandas a 20 mm das extremidades da cobertura do tubo.)

4.3. Para uma combinação dupla

Consulte o manual de instalação da unidade exterior.

Não é possível utilizar algumas unidades exteriores num sistema duplo simultâneo.

5. Trabalho de tubagem de drenagem

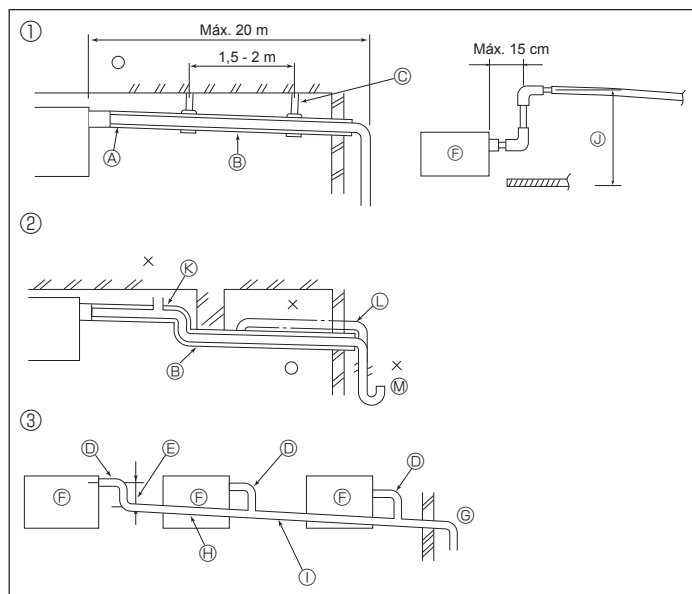


Fig. 5-1

5.1. Trabalho de tubagem de drenagem (Fig. 5-1)

- As peças internas do tubo de drenagem devem ser limpas com materiais de isolamento de espuma de polietileno (gravidade específica de 0,03 de espessura de 9 mm ou mais).
 - Utilize VP25 (Tubo PVC, O.D. ø32) para tubagem de drenagem e deixe uma inclinação descendente de 1/100 ou mais.
 - Certifique-se de que liga as juntas da tubagem com adesivo do tipo PVC.
 - Veja a figura relativa aos trabalhos de tubagem.
 - Utilize a mangueira de drenagem incluída para mudar a direcção de extracção.
 - Quando efetuar o trabalho de tubagem de drenagem, certifique-se de que utiliza os suportes metálicos de apoio.
- Se colocar uma carga sobre o bocal de drenagem e a mangueira ficar danificada ou solta, podem ocorrer fugas de água.

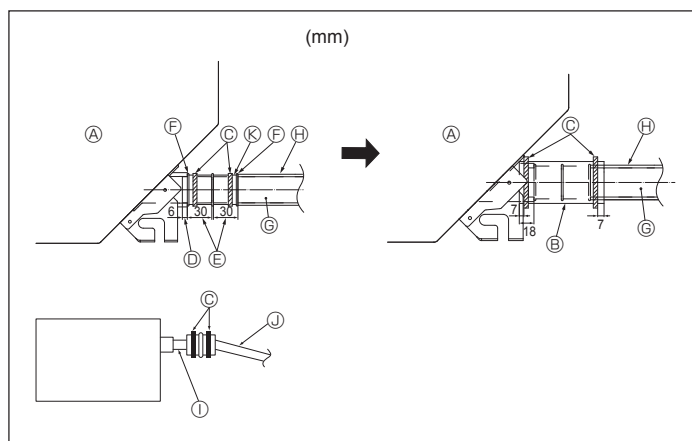


Fig. 5-2

1. Ligue o bocal de drenagem (fornecido com a unidade) à porta de drenagem. (Fig. 5-2) (Fixe o tubo com adesivo PVC e depois ate-o com uma banda.)
2. Instale um tubo de drenagem flexível, à venda no comércio (Tubo PVC, O.D. ø32). (Fixe do tubo com adesivo PVC e depois ate-o com uma banda.)
3. Verifique se a drenagem flui suavemente.
4. Isole a porta e o bocal de drenagem com o material de isolamento e, em seguida, segure o material com uma banda. (Tanto o material de isolamento como a banda são fornecidos com a unidade.)
5. Isole o tubo flexível e o tubo rígido (Tubo PVC, O.D. ø32).

6. Trabalho de electricidade

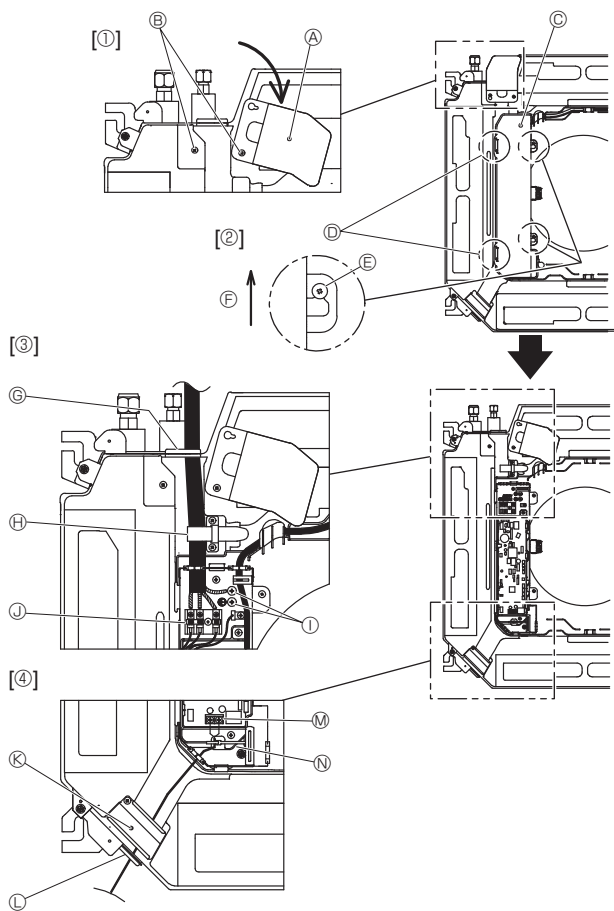


Fig. 6-1

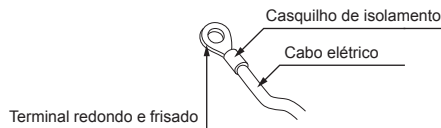


Fig. 6-2

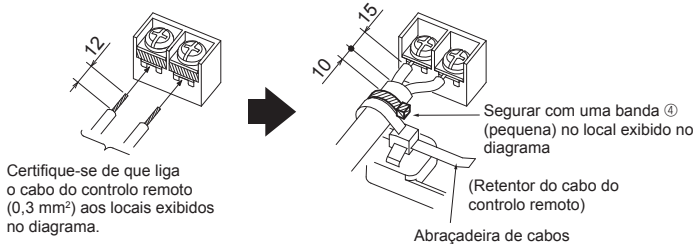


Fig. 6-3

Certifique-se de que liga o cabo do controlo remoto (0,3 mm²) aos locais exibidos no diagrama.

6.1. Unidade exterior (Fig. 6-1)

1. Desaperte os dois parafusos que seguram o painel de serviço da cablagem elétrica e, em seguida, rode o painel. [Fig. 6-1 ①]
 2. Desaperte os dois parafusos que seguram a tampa da caixa elétrica e, em seguida, faça deslizar a tampa. [Fig. 6-1 ②]
 3. Faça passar o cabo de alimentação, o cabo de ligação da unidade interior/exterior e o cabo de ligação à terra pelas entradas de cablagem mostradas no diagrama. [Fig. 6-1 ③] Coloque a parte revestida do cabo de alimentação e do cabo de ligação da unidade interior/exterior na caixa elétrica. Utilize terminais redondos e frisados para o terminal de ligação da unidade interior-exterior e o kit de terminais de alimentação opcional. [Fig. 6-2] Se não for possível utilizar terminais redondos e frisados, siga o procedimento da Fig. 6-3-6-6. Consulte as secções 6.1.1. e 6.1.2. para obter informações sobre a ligação.
 4. Faça passar e prenda o cabo do controlo remoto nas entradas de cablagem mostradas no diagrama. [Fig. 6-1 ④, Fig. 6-3] Consulte as secções 6.1.1. e 6.1.2. para obter informações sobre a ligação.
- Não deixe os parafusos dos terminais mal apertados.

Binário de aperto do parafuso

	Binário de aperto (N·m)
Placa de terminais do controlo remoto	1,2 ± 0,1
Placa de terminais de ligação da unidade interior-exterior	1,6 ± 0,1
Cabo de ligação à terra	1,6 ± 0,1

- Deixe cabo suficiente para que, durante a manutenção, a caixa elétrica possa ficar suspensa abaixo da unidade (aprox. 50 a 100 mm).
- ① Painel de serviço da cablagem elétrica
- ② Parafuso
- ③ Tampa da caixa elétrica
- ④ Gancho temporário para a tampa da caixa elétrica
- ⑤ Parafuso
- ⑥ Direção de deslize da tampa da caixa elétrica
- ⑦ Entrada para o cabo de alimentação e cabo de ligação da unidade interior/exterior
- ⑧ Segurar com a abraçadeira para cabos
- ⑨ Cabo de ligação à terra
- ⑩ Terminal de ligação da unidade interior/exterior
- ⑪ Painel de serviço da cablagem elétrica (controlo remoto)
- ⑫ Entrada para o controlo remoto com fios
- ⑬ Terminal do controlo remoto com fios
- ⑭ Segurar com a abraçadeira para cabos

⚠ Cuidado:

- A cablagem do controlo remoto deverá ficar afastada (5 cm ou mais) da cablagem da fonte de alimentação de modo a evitar interferências provenientes do ruído elétrico da cablagem da fonte de alimentação.

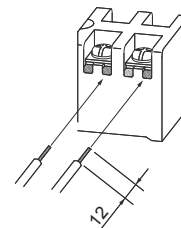


Fig. 6-4

- A ranhura em forma de U abre se fizer pressão sobre a cabeça do parafuso depois de este ser desapertado.

<Quando ligar dois cabos da unidade interior-exterior>

- Se os cabos tiverem o mesmo diâmetro, insira-os nos separadores em ambos os lados.
- Se os cabos tiverem diâmetros diferentes, insira-os em um dos lados, em espaços separados, com um dos cabos por cima do outro.

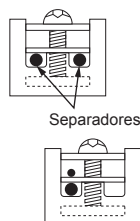
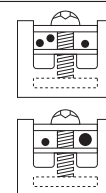


Fig. 6-5

AVISO



- Não é permitido ligar dois fios num só lado.
- Não é permitido ligar três fios ou mais ao mesmo terminal.
- Não é permitido ligar fios com diâmetros diferentes.

Quando utilizar um único cabo, não é permitido usar um terminal redondo e frisado ou outro tipo de terminal.

Fig. 6-6

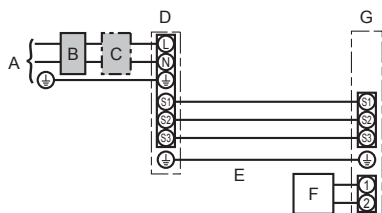
6. Trabalho de electricidade

6.1.1. Alimentação da unidade interior fornecida pela unidade exterior

Estão disponíveis os seguintes padrões de ligação.

Os padrões de alimentação da unidade exterior variam consoante os modelos.

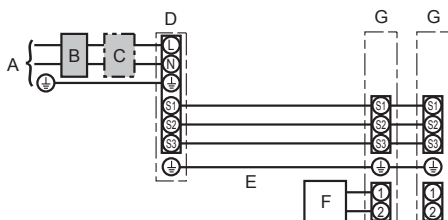
1:1 Sistema



- A Alimentação da unidade exterior
- B Disjuntor de fuga à terra
- C Disjuntores das cablagens ou interruptor de isolamento
- D Unidade exterior
- E Cabos de alimentação de ligação da unidade interior/unidade exterior
- F Controlo remoto
- G Unidade interior

* Cole uma etiqueta A que é fornecida com os manuais junto de cada um dos diagramas de cablagens para as unidades interior e exterior.

Sistema duplo simultâneo



- A Alimentação da unidade exterior
- B Disjuntor de fuga à terra
- C Disjuntores das cablagens ou interruptor de isolamento
- D Unidade exterior
- E Cabos de alimentação de ligação da unidade interior/unidade exterior
- F Controlo remoto
- G Unidade interior

* Cole uma etiqueta A que é fornecida com os manuais junto de cada um dos diagramas de cablagens para as unidades interior e exterior.

Nota:

Não é possível utilizar algumas unidades num sistema duplo simultâneo. Para mais informações, consulte o manual de instalação da unidade exterior.

Modelo da unidade interior		PLA	
Cablagem Fio n.º x secção (mm²)	Unidade interior/unidade exterior	*1	3 × 1,5 (Polar)
	Terra da unidade interior-unidade exterior	*1	1 × Min. 1,5
	Terra da unidade interior		1 × Min. 1,5
	Ligação do controlador remoto/unidade interior	*2	2 × 0,3 (Não polar)
Potência nominal do circuito	Unidade interior (Aquecedor) L-N	*3	—
	Unidade interior/unidade exterior S1-S2	*3	230 V CA
	Unidade interior/unidade exterior S2-S3	*3	24 V CC
	Ligação do controlador remoto/unidade interior	*3	12 V CC

*1. <Para aplicação da unidade exterior 71-140>

Máx. 45 m

Se forem utilizados 2,5 mm², máx. 50 m

Se forem utilizados 2,5 mm² e S3 separado, máx. 80 m

*2. Máx. 500 m

(Quando utilizar 2 controlos remotos, o comprimento de cablagem máximo para os cabos dos controlos remotos é de 200 m.)

*3. Os valores NÃO se aplicam sempre em relação à terra.

O terminal S3 tem uma diferença de 24 V CC em relação ao terminal S2. Entre os terminais S3 e S1, a ligação não está isolada electricamente pelo transformador ou outro dispositivo.

Notas: 1. A dimensão da cablagem deve estar em conformidade com as regulamentações nacionais e locais aplicáveis.

2. Os cabos de alimentação e os cabos de alimentação de ligação da unidade interior/exterior não devem ser inferiores a cabos flexíveis revestidos a policloropreno. (Tipo 60245 IEC 57)

3. Instale um fio de terra mais comprido do que os outros cabos.

4. Os fios de ligação das unidades interior e exterior têm polaridades. Certifique-se de que faz corresponder o número do terminal (S1, S2, S3) com os fios corretos.

5. A cablagem do controlo remoto deverá ficar afastada (5 cm ou mais) da cablagem da fonte de alimentação de modo a evitar interferências provenientes do ruído elétrico da cablagem da fonte de alimentação.

Aviso:

Nunca una o cabo de alimentação ou o cabo de ligação interior-exterior, caso contrário pode resultar em fumo, incêndio ou uma falha de comunicação.

6. Trabalho de electricidade

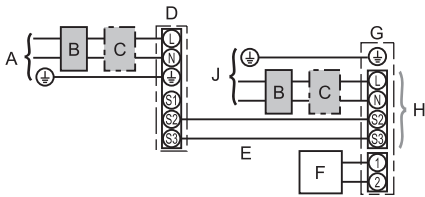
6.1.2. Alimentações da unidade interior/unidade exterior separadas (apenas para aplicação PUHZ)

Estão disponíveis os seguintes padrões de ligação.

Os padrões de alimentação da unidade exterior variam consoante os modelos.

1:1 Sistema

* É necessário o kit terminal da alimentação interna.

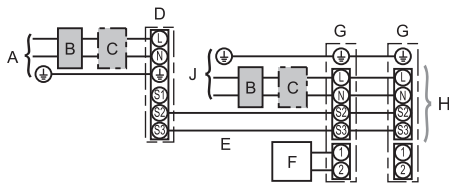


- A Alimentação da unidade exterior
- B Disjuntor de fuga à terra
- C Disjuntores das cablagens ou interruptor de isolamento
- D Unidade exterior
- E Cabos de alimentação de ligação da unidade interior/unidade exterior
- F Controlo remoto
- G Unidade interior
- H Opção
- J Alimentação da unidade interior

* Cole uma etiqueta B que é fornecida com os manuais junto de cada um dos diagramas de cablagens para as unidades interior e exterior.

Sistema duplo simultâneo

* São necessários os kits terminais da alimentação interna.



- A Alimentação da unidade exterior
- B Disjuntor de fuga à terra
- C Disjuntores das cablagens ou interruptor de isolamento
- D Unidade exterior
- E Cabos de alimentação de ligação da unidade interior/unidade exterior
- F Controlo remoto
- G Unidade interior
- H Opção
- J Alimentação da unidade interior

* Cole uma etiqueta B que é fornecida com os manuais junto de cada um dos diagramas de cablagens para as unidades interior e exterior.

Nota:

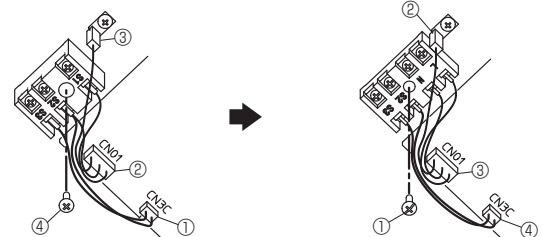
Não é possível utilizar algumas unidades num sistema duplo simultâneo. Para mais informações, consulte o manual de instalação da unidade exterior.

Se as unidades interior e exterior tiverem alimentações separadas, consulte a tabela abaixo. Se for utilizado o kit terminal da alimentação interna, mude a cablagem da caixa eléctrica da unidade interior referente à figura à direita e as definições do interruptor DIP do quadro de controlo da unidade exterior.

Kit terminal da alimentação interna (opção)	Necessário								
Alteração da ligação do conector da caixa eléctrica da unidade interior	Necessário								
Etiqueta colada junto de cada diagrama de cablagem para as unidades interior e exterior	Necessário								
Definições do interruptor DIP da unidade exterior (apenas quando usar alimentações unidade interior/unidade exterior separadas)	<table border="1" style="margin-left: auto; margin-right: auto;"> <tr> <td>ON</td> <td></td> <td></td> <td style="border: 2px solid black;">3</td> </tr> <tr> <td>OFF</td> <td>1</td> <td>2</td> <td></td> </tr> </table> <p style="text-align: center;">Coloque o SW8-3 em ON.</p>	ON			3	OFF	1	2	
ON			3						
OFF	1	2							

* Existem três tipos de etiquetas (etiquetas A, B e C). Cole as etiquetas adequadas nas unidades, de acordo com o método de ligação.

<Substituir o bloco de terminais da unidade interior>



- ① Desligue o conector CN3C (azul) da placa controladora interna.
- ② Desligue o conector CN01 (preto) da placa controladora interna.
- ③ Desligue o terminal separador.
- ④ Retire o parafuso do bloco de terminais.

- Instale o kit terminal de alimentação opcional. Para mais informações, consulte o manual de instalação que é fornecido com o kit terminal de alimentação opcional.
- ① Segure o bloco de terminais com o parafuso.
 - ② Insira o terminal separador.
 - ③ Ligue o conector CN01 (preto) à placa controladora interna.
 - ④ Ligue o conector CN3C (azul) à placa controladora interna.

Modelo da unidade interior	PLA	
Corrente da unidade interior	~N (Monofásica), 50 Hz, 230 V	
Capacidade de entrada da unidade interior	16 A	
Interruptor principal (Disjuntor)	*1	
Cablagem Fio n.º x secção (mm²)	Corrente da unidade interior & Corrente da unidade interior terra	3 × Min. 1,5
	Unidade interior/unidade exterior	*2 2 × Min. 0,3
	Terra da unidade interior-unidade exterior	—
Potência nominal do circuito	Ligação do controlador remoto/unidade interior	*3 2 × 0,3 (Não polar)
	Unidade interior L-N	*4 230 V CA
	Unidade interior/unidade exterior S1-S2	*4 —
	Unidade interior/unidade exterior S2-S3	*4 24 V CC
	Ligação do controlador remoto/unidade interior	*4 12 V CC

*1. Utilize um disjuntor de fuga à terra (NV) com uma separação de, pelo menos, 3,0 mm entre os contactos dos pólos.

O disjuntor será fornecido para assegurar a desligação de todos os condutores de fase activos da alimentação.

*2. Máx. 120 m

*3. Máx. 500 m

(Quando utilizar 2 controlos remotos, o comprimento de cablagem máximo para os cabos dos controlos remotos é de 200 m.)

*4. Os valores NÃO se aplicam sempre em relação à terra.

Notas: 1. A dimensão da cablagem deve estar em conformidade com as regulamentações nacionais e locais aplicáveis.

2. Os cabos de alimentação e os cabos de alimentação de ligação da unidade interior/exterior não devem ser inferiores a cabos flexíveis revestidos a policloropreno. (Tipo 60245 IEC 57)

3. Instale um fio de terra mais comprido do que os outros cabos.

4. A cablagem do controlo remoto deverá ficar afastada (5 cm ou mais) da cablagem da fonte de alimentação de modo a evitar interferências provenientes do ruído eléctrico da cablagem da fonte de alimentação.

⚠ Aviso:

Nunca una o cabo de alimentação ou o cabo de ligação interior-exterior, caso contrário pode resultar em fumo, incêndio ou uma falha de comunicação.

6. Trabalho de electricidade

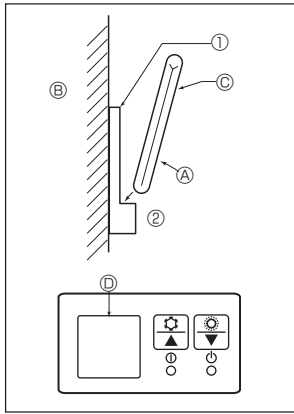


Fig. 6-7

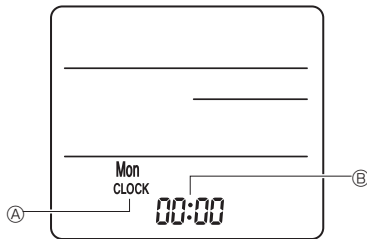


Fig. 6-8

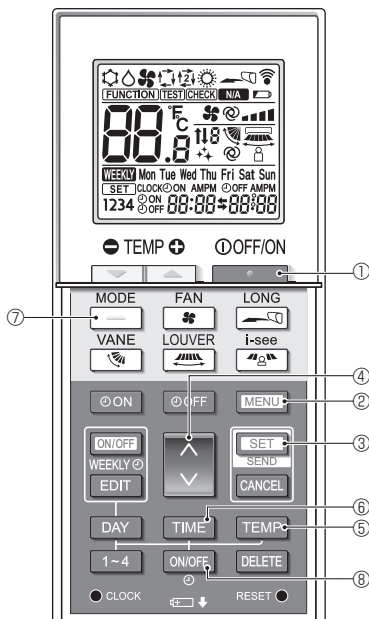


Fig. 6-9

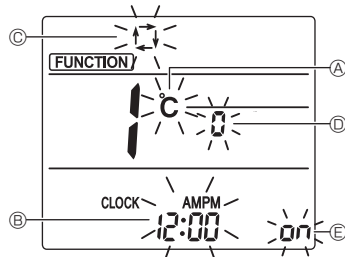


Fig. 6-10

6.2. Controle remoto

6.2.1. Para controle remoto com fio

1) Definição de dois controles remotos

Se estiverem ligados dois controles remotos, ajuste um para "principal" e o outro para "subordinado". Para ver os procedimentos de ajuste, consulte "Seleção de Função" no manual de funcionamento para a unidade interior.

6.2.2. Para o controle remoto sem fios

1) Área de instalação

- Área na qual o controle remoto não fique exposto à luz direta do sol.
- Área distante de fontes de calor.
- Área na qual o controle remoto não fique exposto a ventos frios (ou quentes).
- Área na qual o controle remoto possa ser utilizado facilmente.
- Área na qual o controle remoto fique fora do alcance das crianças.

2) Método de instalação (Fig. 6-7)

- 1) Fixe o suporte do controle remoto no local desejado com 2 parafusos de derivação.
 - 2) Coloque a extremidade inferior do controle remoto no suporte.
 - A Controle remoto B Parede C Painel de visualização D Recetor
- O sinal pode ser captado até cerca de 7 metros (em linha reta) num ângulo de 45 graus tanto para a direita como para a esquerda da linha central do recetor.

3) Definição [Definição Clock (Relógio)] (Fig. 6-8)

- 1) Introduza as baterias ou prima o botão **CLOCK** com um objeto afiado. [CLOCK] (RELÓGIO) A e [] B piscam.
- 2) Prima o botão **RESET** com um objeto afiado.
- 3) Prima o botão **↑** para definir a hora.
Prima o botão **DAY** para definir o dia.
- 4) Prima o botão **CLOCK** com um objeto afiado na extremidade. [CLOCK] (RELÓGIO) e [] acendem.

4) Definição inicial

É possível efetuar as definições seguintes no modo de definição inicial.

Item	Definição	Fig. 6-10
Unidade de temperatura	°C/°F	A
Apresentação da hora	Formato de 12 horas/Formato de 24 horas	B
Modo AUTO (AUTOMÁTICO)	Ponto de definição única/Ponto de definição dupla	C
N.º de par	0-3	D
Retroiluminação	Ligado/Desligado	E

4-1. Mudar para o modo de definição inicial

1. Prima o botão **TEMP** (1) para parar o aparelho de ar condicionado.
2. Prima o botão **MENU** (2).
O ecrã de definições Function (Função) é apresentado e o número da função A pisca. (Fig. 6-9)
Prima o botão **↓** (4) para alterar o número da função.
3. Certifique-se de que é apresentado o número da função "1" e, em seguida, prima o botão **SET** (3).
Será apresentado o ecrã de definições do modo de visualização. (Fig. 6-10)

4-2. Alterar a unidade de temperatura A

- Prima o botão **TEMP** (TEMPERATURA) (5).
Sempre que o botão **TEMP** (TEMPERATURA) (5) é premido, a definição alterna entre **°C** e **°F**.
°C: A temperatura é apresentada em graus centígrados (Celsius).
°F: A temperatura é apresentada em graus Fahrenheit.

4-3. Alterar a apresentação da hora B

- Prima o botão **TIME** (HORA) (6).
Sempre que o botão **TIME** (HORA) (6) é premido, a definição alterna entre **12:00** e **24:00**.
12:00: A hora é apresentada no formato de 12 horas.
24:00: A hora é apresentada no formato de 24 horas.

4-4. Alterar o modo AUTO (AUTOMÁTICO) C

- Prima o botão **AUTO** (AUTOMÁTICO) (7).
Sempre que o botão **AUTO** (AUTOMÁTICO) (7) é premido, a definição alterna entre **1** e **2**.
1: O modo AUTO (AUTOMÁTICO) funciona como o modo automático normal.
2: O modo AUTO (AUTOMÁTICO) funciona utilizando pontos de definição dupla.

4-5. Alterar o número de par D

- Prima o botão **↑** (4).
Sempre que o botão **↑** (4) é premido, o número de par 0-3 muda.

N.º de par do controle remoto sem fios	Placa de circuito impresso interna
0	Predefinição
1	Corte J41
2	Corte J42
3	Corte J41, J42

4-6. Alterar a definição de retroiluminação E

- Prima o botão **ON/OFF** (8).
Sempre que o botão **ON/OFF** (8) é premido, a definição alterna entre **ON** e **FF**.
ON: A retroiluminação acende sempre que se premir um botão.
FF: A retroiluminação não acende quando se premir um botão.

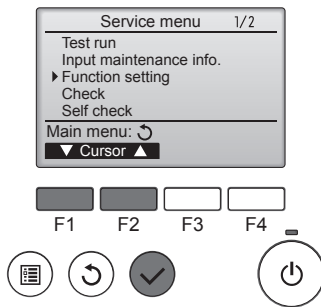


Fig. 6-11

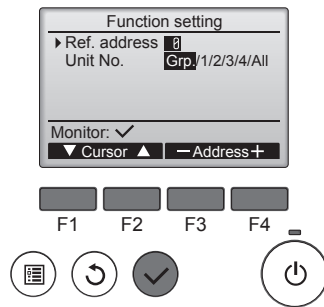


Fig. 6-12

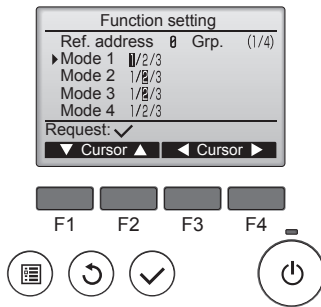


Fig. 6-13

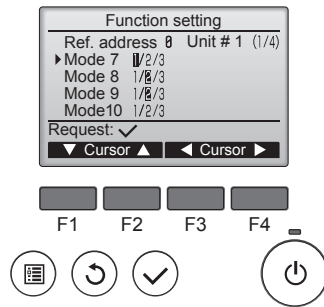


Fig. 6-14

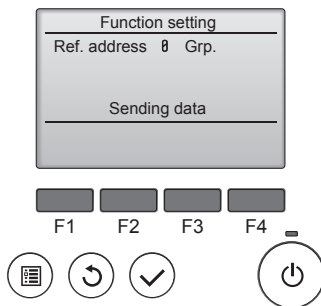


Fig. 6-15

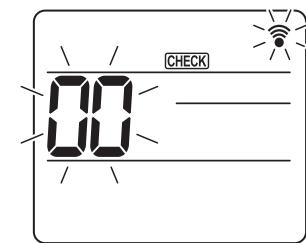


Fig. 6-16

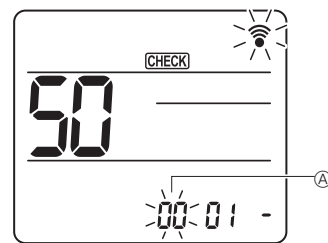


Fig. 6-17

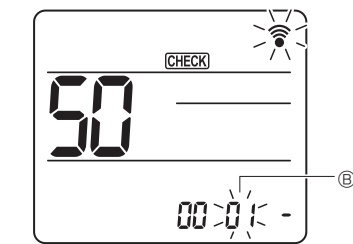


Fig. 6-18

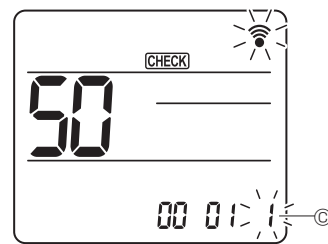


Fig. 6-19

6.3. Ajustes de função

6.3.1. Através do controlo remoto com fios

- ① (Fig. 6-11)
 - Seleccione "Service" (Assistência) no Menu principal e prima o botão [OK]
 - Seleccione "Function settings" (Função programação) com o botão [F1] ou [F2] e prima o botão [OK].

- ② (Fig. 6-12)
 - Defina os endereços do sistema de refrigerante da unidade interior e os números das unidades com as teclas [F1] a [F4] e, em seguida, prima a tecla [OK] para confirmar a definição actual.

<Verificar o N° da Unidade interior>

Quando o botão [OK] é premido, a unidade interior alvo iniciará o funcionamento da ventoinha. Se a unidade for comum ou quando todas as unidades estão em funcionamento, todas as unidades interiores do endereço do sistema de refrigerante seleccionado iniciarão o funcionamento da ventoinha.

- ③ (Fig. 6-13)
 - Quando a recolha de dados das unidades interiores estiver concluída, as definições actuais aparecem realçadas. Os itens não realçados indicam que não foram efectuadas definições para a função. O aspecto do ecrã varia dependendo da definição "N° Unidade".

- ④ (Fig. 6-14)
 - Utilize a tecla [F1] ou [F2] para mover o cursor para seleccionar o número do modo e altere o número da definição com a tecla [F3] ou [F4].

- ⑤ (Fig. 6-15)
 - Quando as definições estiverem concluídas, prima a tecla [OK] para enviar os dados das definições do controlo remoto para as unidades internas.
 - Quando a transmissão é concluída com êxito, o ecrã regressará ao ecrã Função programação.

6.3.2. Através do controlo remoto sem fios

- ① Aceder ao modo de selecção da função
 - Prima o botão [MENU] durante cerca de 5 segundos.
 - (Inicie esta operação a partir do estado de desligado do visor do controlo remoto.) [CHECK] (VERIFICAR) acende e "00" pisca. (Fig. 6-16)
 - Prima o botão [DOWN] para definir "50".

Aponte o controlo remoto sem fios na direcção do recetor da unidade interior e prima o botão [SET].

- ② Definir o número da unidade
 - Prima o botão [DOWN] para definir o número da unidade ①. (Fig. 6-17)
 - Aponte o controlo remoto sem fios na direcção do recetor da unidade interior e prima o botão [SET].

- ③ Seleccione um modo
 - Prima o botão [DOWN] para definir o número do modo ②. (Fig. 6-18)
 - Aponte o controlo remoto sem fios na direcção do recetor da unidade interior e prima o botão [SET].

Número de definição actual: 1=1 sinal sonoro (1 segundo)
2=2 sinais sonoros (1 segundo cada)
3=3 sinais sonoros (1 segundo cada)

- ④ Selecionar o número de definição
 - Utilize o botão [DOWN] para alterar o número de definição ③. (Fig. 6-19)
 - Aponte o controlo remoto sem fios na direcção do recetor da unidade interior e prima o botão [SET].

- ⑤ Para seleccionar várias funções continuamente
 - Repita a selecção ③ e ④ para alterar as definições de várias funções continuamente.

- ⑥ Terminar a selecção da função
 - Aponte o controlo remoto sem fios na direcção do sensor da unidade interior e prima o botão [OFF/ON].

Nota:

- Efetue as definições anteriores no modelo Mr. Slim consoante necessário.
- A Tabela 1 mostra um resumo das opções de definições para cada número do modo.
 - Certifique-se de que anota as definições para todas as funções se mudar alguma predefinição depois de concluir o trabalho de instalação.

6. Trabalho de electricidade

Tabela de funções (Tabela 1)

Selecione número de unidade 00

Modo	Ajustes	N° de modo	N° de ajuste	Configuração inicial	Ajuste
Recuperação automática de corte de alimentação	Não disponível	01	1		
	Disponível *1		2	O *2	
Detecção da temperatura interior	Média de funcionamento da unidade interior	02	1	O	
	Ajustado pelo controlo remoto da unidade interior		2		
	Sensor interno do controlo remoto		3		
Conectividade LOSSNAY	Não assistido	03	1	O	
	Assistido (a unidade interior não está equipada com admissão de ar exterior)		2		
	Assistido (a unidade interior está equipada com admissão de ar exterior)		3		
Voltagem de funcionamento	240 V	04	1		
	220 V, 230 V		2	O	

Selecione números de unidade de 01 a 03 ou todas as unidades (AL [controlo remoto com fio] / 07 [controlo remoto sem fio])

Modo	Ajustes	N° de modo	N° de ajuste	Configuração inicial	Ajuste
Sinal de filtro	100Hr	07	1		
	2500Hr		2	O	
	Nenhum indicador de sinal de filtro		3		
Velocidade da ventoinha	Silencioso (teto baixo)	08	1		
	Standard		2	O	
	Tecto alto		3		
N° de saídas de ar	4 direcções	09	1	O	
	3 direcções		2		
	2 direcções		3		
Opções instaladas (filtro de alta eficiência)	Não assistido	10	1	O	
	Assistido		2		
Ajuste de palheta para cima/baixo	Definição descendente (Configuração do ângulo da palheta ③)	11	1		
	Middle setting (Definição média) (Configuração do ângulo da palheta ①)		2		
	Definição de redução de corrente (Configuração do ângulo da palheta ②)		3	O	
Velocidade da ventoinha quando o termóstato de arrefecimento está DESLIGADO	Definição da velocidade da ventoinha	27	1		
	Paragem		2		
	Extra baixo		3	O	

*1 Quando a energia eléctrica voltar, o aparelho de ar condicionado começará a trabalhar 3 minutos mais tarde.

*2 O ajuste inicial da recuperação automática de corte de alimentação depende da unidade exterior ligada.

7. Ensaio

7.1. Antes do ensaio

- ▶ Depois de concluir a instalação, a cablagem e a tubagem das unidades interior e exterior, verifique se não há fugas de refrigerante, maus contactos na fonte de alimentação ou na cablagem de controlo, polaridade errada e se não foi desligada qualquer fase na alimentação.
- ▶ Utilize um megohmetro de 500 V para verificar se a resistência entre os terminais da fonte de alimentação e o solo são de pelo menos 1,0 MΩ.

▶ Não execute este ensaio nos terminais da cablagem de controlo (circuito de baixa voltagem).

⚠ **Aviso:**

Não utilize o ar condicionado se a resistência de isolamento for inferior a 1,0 MΩ.

7.2. Ensaio

7.2.1. Utilizar o controlo remoto com fio

- Certifique-se de que lê o manual de funcionamento antes do teste de funcionamento. (Especialmente para saber quais os itens a prender em segurança)

Passo 1 Ligue a alimentação.

- Controlo remoto: O sistema entra em modo de arranque e a luz (verde) de alimentação do controlo remoto e "PLEASE WAIT" (Aguardar, por favor) piscam. Enquanto a luz e a mensagem estão a piscar, o controlo remoto não pode ser utilizado. Aguarde até que a mensagem "PLEASE WAIT" (Aguardar, por favor) deixe de ser apresentada para utilizar o controlo remoto. Depois de a alimentação ser ligada, a mensagem "PLEASE WAIT" (Aguardar, por favor) é apresentada durante, aproximadamente, 2 minutos.
- Placa de controlo da unidade interior: o LED 1 está aceso, o LED 2 está aceso (se o endereço for 0) ou apagado (se o endereço não for 0) e o LED 3 pisca.
- Placa de controlo da unidade exterior: o LED 1 (verde) e o LED 2 (vermelho) estão acesos. (Depois de terminado o modo de arranque do sistema, o LED 2 fica apagado.) Se a placa de controlo da unidade exterior utilizar um visor digital, [-] e [+] são apresentados alternadamente a cada segundo. Se as operações não funcionarem correctamente depois dos procedimentos do passo 2 e seguintes terem sido executados, as causas indicadas a seguir devem ser consideradas e eliminadas se forem identificadas. (Os sintomas abaixo ocorrem durante o modo de teste de funcionamento. "Startup" (Arranque) na tabela significa o visor LED referido acima.)

Sintomas no modo de teste de funcionamento		Causa
Visor do controlo remoto	Visor LED DA PLACA EXTERIOR < > indica o visor digital.	
O controlo remoto apresenta "PLEASE WAIT" (Aguardar, por favor) e não pode ser utilizado.	Depois de "startup" (arranque) ser apresentado, apenas acende o verde. <00>	• Depois de ligada a corrente, a indicação "PLEASE WAIT" (Aguardar, por favor) aparece durante 2 minutos enquanto o sistema arranca. (Normal)
Depois da alimentação ser desligada, a mensagem "PLEASE WAIT" (Aguardar, por favor) é apresentada durante 3 minutos, sendo depois apresentado o código do erro.	Depois de "startup" (arranque) ser apresentado, o verde (uma vez) e o vermelho (uma vez) piscam alternadamente. <F1>	• Ligação incorrecta no bloco de terminais exterior (R, S, T e S ₁ , S ₂ , S ₃).
	Depois de "startup" (arranque) ser apresentado, o verde (uma vez) e o vermelho (duas vezes) piscam alternadamente. <F3, F5, F9>	• O conector do dispositivo de protecção da unidade exterior está aberto.
Não há nada apresentado mesmo quando o interruptor de funcionamento do controlo remoto está ligado. (A luz de funcionamento não se acende.)	Depois de "startup" (arranque) ser apresentado, o verde (duas vezes) e o vermelho (uma vez) piscam alternadamente. <EA, Eb>	• Cablagem incorrecta entre a unidade interior e exterior (polaridade incorrecta para S ₁ , S ₂ , S ₃).
	Depois de "startup" (arranque) ser apresentado, apenas acende o verde. <00>	• Curto-circuito no fio de transmissão do controlo remoto. • Não há unidade exterior para o endereço 0. (O endereço é diferente de 0.) • Circuito aberto no fio de transmissão do controlo remoto.
O visor aparece, mas desaparece logo, mesmo quando o controlo remoto é utilizado.	Depois de "startup" (arranque) ser apresentado, apenas acende o verde. <00>	• Depois de cancelar a selecção da função, a operação não é possível durante 30 segundos. (Normal)

Passo 2 Coloque o controlo remoto em modo "Test run" (Testar funcio.).

- 1 Seleccione "Test run" (Testar funcio.) no menu Serviço e prima o botão [OK]. (Fig. 7-1)
- 2 Seleccione "Test run" (Testar funcio.) no menu Teste de funcionamento e prima o botão [OK]. (Fig. 7-2)
- 3 A operação de teste de funcionamento é iniciada, sendo apresentado o ecrã da operação do Testar funcionamento.

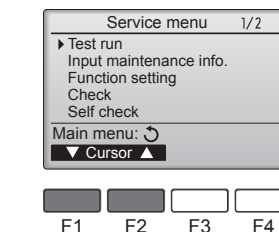


Fig. 7-1

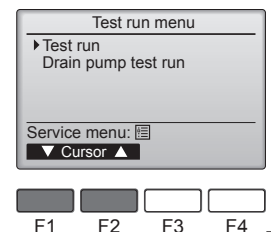


Fig. 7-2

Passo 3 Execute o teste de funcionamento e verifique a temperatura do fluxo de ar e a palheta automática.

- 1 Prima o botão [F1] para alterar o modo de funcionamento. (Fig. 7-3)
Modo de refrigeração: Verifique se sai ar fresco da unidade.
Modo de aquecimento: Verifique se sai ar quente da unidade.
- 2 Prima o botão [OK] para apresentar o ecrã de funcionamento da palheta e depois prima os botões [F1] e [F2] para verificar a palheta automática. (Fig. 7-4)
Prima o botão [VOLTAR] para regressar ao ecrã de teste de funcionamento.

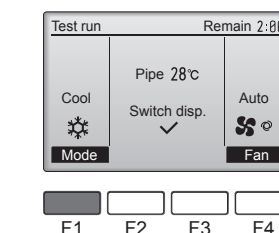


Fig. 7-3

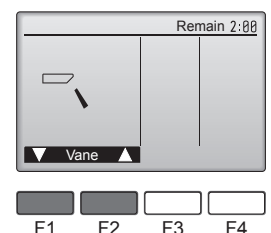


Fig. 7-4

7. Ensaio

Passo 4 Confirme o funcionamento da ventoinha da unidade exterior.

A velocidade da ventoinha da unidade exterior é controlada de forma a controlar o desempenho da unidade. Dependendo do ar ambiente, a ventoinha roda a uma velocidade baixa e mantém-se a essa velocidade a não ser que o desempenho seja insuficiente. Assim, o vento exterior pode fazer com que a ventoinha pare de rodar ou que rode na direcção contrária, mas isso não constitui um problema.

Passo 5 Interrompa o teste de funcionamento.

① Prima o botão [LIGAR/DESLIGAR] para parar o teste de funcionamento. (É apresentado o menu do teste de funcionamento.)

Observação: Se for apresentado um erro no controlo remoto, consulte a tabela abaixo.

LCD	Descrição da avaria	LCD	Descrição da avaria	LCD	Descrição da avaria
P1	Erro do sensor de admissão	P9	Erro do sensor do tubo (tubo de parede dupla)	E0 – E5	Erro de comunicação entre o controlo remoto e a unidade interior
P2	Erro do sensor do tubo (tubo de líquido)	PA	Erro de fuga (sistema refrigerante)		
P4	Conector do interruptor do flutuador de drenagem desligado (CN4F)	Pb	Erro do motor da ventoinha da unidade interior		
		PL	Circuito do refrigerante anormal		
P5	Operação de protecção contra transbordamento de drenagem	FB	Erro da placa de controlo interior	E6 – EF	Erro de comunicação entre a unidade interior e a unidade exterior
P6	Operação de protecção contra congelamento/sobreaquecimento	U*, F* (* indica um carácter alfanumérico excluindo FB.)	Avaria da unidade exterior. Consulte o diagrama da cablagem da unidade exterior.		
P8	Erro de temperatura do tubo				

Consulte a tabela abaixo para mais informações do visor LED (LED 1, 2 e 3) da placa de controlo interior.

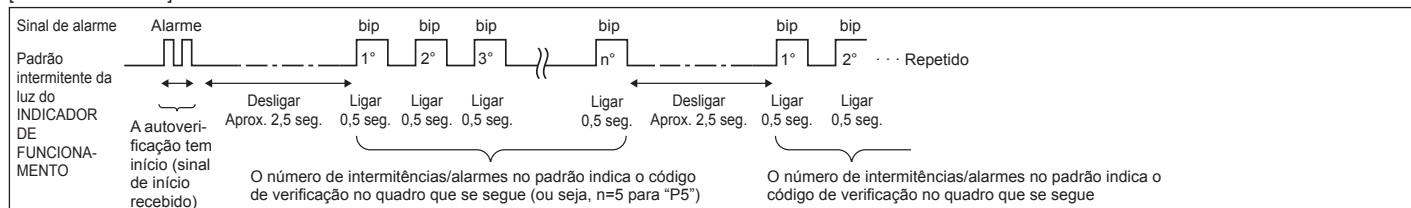
LED 1 (alimentação para o microcomputador)	Indica se é fornecida alimentação de controlo. Certifique-se de que o LED está sempre aceso.
LED 2 (alimentação para o controlo remoto)	Indica se é fornecida alimentação ao controlo remoto com fios. O LED só acende para a unidade interior que está ligada à unidade exterior cujo endereço é 0.
LED 3 (comunicação da unidade interior/exterior)	Indica se as unidades interior e exterior estão a comunicar. Certifique-se de que o LED está sempre a piscar.

7.3. Autoverificação

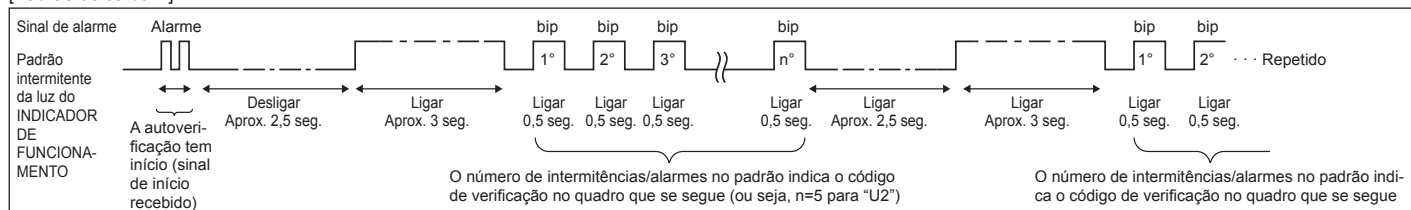
■ Para mais informações, consulte o manual de instalação que é fornecido com todos os controlos remotos.

• Para obter mais informações sobre os códigos de verificação, consulte os quadros que se seguem. (Controlo remoto sem fio)

[Padrão de saída A]



[Padrão de saída B]



7. Ensaio

[Padrão de saída A] Erros detectados pela unidade interior

Controlo remoto sem fio	Controlo remoto com fio	Sintoma	Observação
Alarme sonoro/luz do INDICADOR DE FUNCIONAMENTO intermitente (Número de vezes)	Código de verificação		
1	P1	Erro do sensor de admissão	
2	P2	Erro do sensor do tubo (TH2)	
	P9	Erro do sensor do tubo (TH5)	
3	E6, E7	Erro de comunicação da unidade interior/exterior	
4	P4	Erro do sensor de drenagem/Conector do interruptor de bóia aberto	
5	P5	Erro da bomba de drenagem	
	PA	Erro forçado do compressor	
6	P6	Funcionamento de salvaguarda de Congelação/Sobreaquecimento	
7	EE	Erro de comunicação entre as unidades interior e exterior	
8	P8	Erro da temperatura do tubo	
9	E4	Erro de recepção do sinal do controlo remoto	
10	—	—	
11	Pb	Erro do motor da ventoinha da unidade interior	
12	Fb	Erro do sistema de controlo da unidade interior (erro da memória, etc.)	
14	PL	Circuito de refrigerante anormal	
Nenhum som	E0, E3	Erro de transmissão do controlo remoto	
Nenhum som	E1, E2	Erro no quadro de controlo do controlo remoto	
Nenhum som	— — — —	Nenhum correspondente	

[Padrão de saída B] Erros detectados por uma unidade que não a interior (unidade exterior, etc.)

Controlo remoto sem fio	Controlo remoto com fio	Sintoma	Observação
Alarme sonoro/luz do INDICADOR DE FUNCIONAMENTO intermitente (Número de vezes)	Código de verificação		
1	E9	Erro de comunicação da unidade interior/exterior (erro de transmissão) (unidade exterior)	
2	UP	Interrupção de sobrecarga do compressor	
3	U3, U4	Circuito aberto/curto-circuito dos termistores da unidade exterior	
4	UF	Interrupção de sobrecarga do compressor (quando o compressor está bloqueado)	
5	U2	Temperatura de descarga anormalmente elevada/49C de trabalho/refrigerante insuficiente	
6	U1, Ud	Pressão anormalmente elevada (63H de trabalho)/Funcionamento de salvaguarda de sobreaquecimento	
7	U5	Temperatura anormal do dissipador de calor	
8	U8	Paragem de salvaguarda da ventoinha da unidade exterior	
9	U6	Interrupção de sobrecarga do compressor/anomalia do módulo de alimentação	
10	U7	Anomalia de aquecimento excessivo devido a uma baixa temperatura de descarga	
11	U9, UH	Anomalia tal como sobretensão ou tensão insuficiente e sinal síncrono anormal para o circuito principal/erro do sensor de corrente	
12	—	—	
13	—	—	
14	Outros	Outros erros (consulte o manual técnico da unidade exterior.)	Para mais informações, verifique o visor LED da placa controladora externa.

*1 Se o alarme não tocar novamente depois dos dois alarmes iniciais para confirmar que o sinal de início da autoverificação foi recebido e a luz do INDICADOR DE FUNCIONAMENTO não acender, não existem registos de erros.

*2 Se o alarme tocar, continuamente, três vezes "bip, bip, bip (0,4 + 0,4 + 0,4 seg.)" após os dois alarmes iniciais para confirmar que o sinal de início da autoverificação foi recebido, o endereço do refrigerante especificado está incorrecto.

- No controlo remoto sem fio
Os sons contínuos da secção de recepção da unidade interior.
Piscar da lâmpada de operação
- No controlo remoto com fio
Código de verificação mostrado no LCD.

7. Ensaio

- Se não for possível utilizar correctamente a unidade após o teste anterior ter sido levado a cabo, consulte o quadro que se segue para eliminar a causa do problema.

Sintoma		Causa	
Controlo remoto com fio		LED 1, 2 (placa de circuito impresso na unidade exterior)	
PLEASE WAIT	Durante cerca de 2 minutos após o accionamento	Depois de os LED 1 e 2 acenderem, o LED 2 apaga e, em seguida, apenas o LED 1 fica aceso. (Funcionamento correcto)	• A utilização do controlo remoto sem fios não é possível durante cerca de 2 minutos após o accionamento da unidade devido ao arranque do sistema. (Funcionamento correcto)
PLEASE WAIT → Código de erro	Depois dos 2 minutos terem passado a seguir ao accionamento	Apenas o LED 1 está aceso. → LED 1, 2 pisca.	• O conector para o dispositivo de protecção da unidade exterior não está colocado. Ligação em fase inversa ou aberta para o quadro do terminal de potência da unidade exterior (L1, L2, L3)
As mensagens do visor não aparecem mesmo quando o interruptor de operação está activado (a lâmpada de operação não acende).		Apenas o LED 1 está aceso. → LED 1 pisca duas vezes, LED 2 pisca uma vez.	• Ligação incorrecta entre as unidades interior e exterior (polaridade incorrecta de S1, S2, S3) • Controlo remoto com fio curto

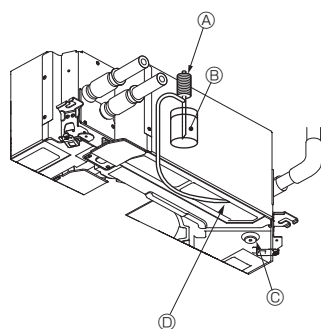
No controlo remoto sem fio com a condição acima, dá-se o seguinte fenómeno.

- Não é aceite nenhum sinal do controlo remoto.
- Lâmpada FUNCIONAMENTO está a piscar.
- O zumbidor produz um som curto de tubo.

Note:

O funcionamento não é possível durante cerca de 30 segundos depois de cancelar a selecção da função. (Funcionamento correcto)

Para obter uma descrição de cada LED (LED 1, 2, 3) do controlador interno, consulte a página 148.



- Ⓐ Bomba de abastecimento de água
- Ⓑ Água (cerca de 1000 cc)
- Ⓒ Bujão de drenagem
- Ⓓ Descarga de água através da saída
 - Tenha cuidado para não cair água no mecanismo da bomba de drenagem.

Fig. 7-5

7.4. Verificação da drenagem (Fig. 7-5)

- Assegure-se de que a água é adequadamente drenada e que não há fugas de água pelas juntas.

Se o trabalho eléctrico estiver concluído.

- Faça a descarga de água durante a operação de arrefecimento do teste de funcionamento (consulte a secção 7.2.) e verifique.

Se o trabalho eléctrico não estiver concluído.

- Faça a descarga de água durante uma operação de emergência e verifique.
- * O reservatório de drenagem e a ventoinha são activados em simultâneo quando o terminal monofásico de 220-240 V é rodado para S1 e S2 no bloco de terminais depois de o conector (SWE) da placa de controlo na caixa eléctrica ser colocado em ON.

Assegure-se de que restaura a posição do conector depois de concluído o trabalho.

8. Controlo do sistema

Consulte o manual de instalação da unidade exterior.

9. Instalação da grelha

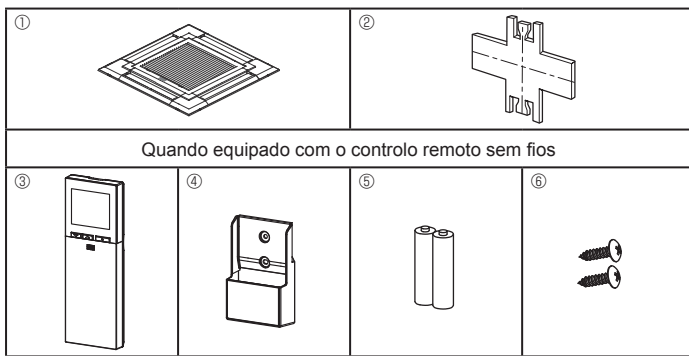


Fig. 9-1

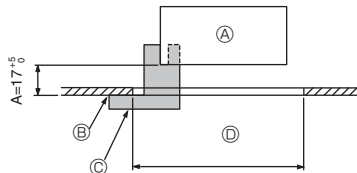


Fig. 9-2

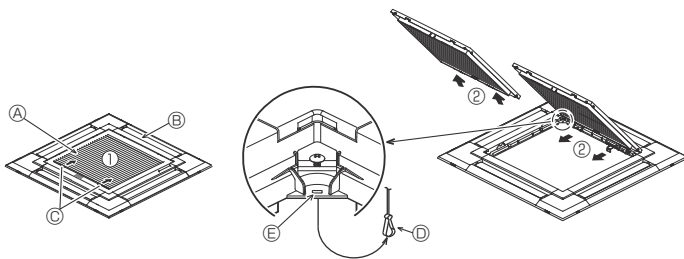


Fig. 9-3

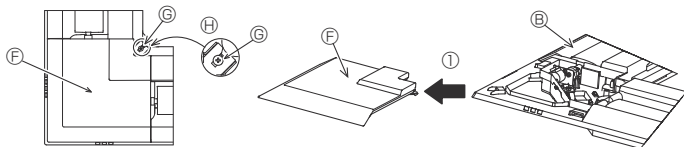


Fig. 9-4

	4-direcções	3-direcções
Padrões de direcções de sopros	1 padrão: Definição de fábrica	4 padrões: Uma saída de ar completamente fechada
	2-direcções	
Padrões de direcções de sopros	6 padrões: Duas saídas de ar completamente fechadas	

Tabela 1

<Encaixa na posição de levantado>

<Gancho na posição de rebaixado>



Fig. 9-5

9.1. Verificação do conteúdo (Fig. 9-1)

• Este kit contém o presente manual e as seguintes peças.

	Nome do acessório	Q.de	Forma
①	Dimensões da grelha	1	950 × 950 (mm)
②	Medidor de instalação	1	(Dividido em 4 partes)
③	Controlo remoto sem fio	1	para PLP-6EALM
④	Suporte do controlo remoto	1	Incluído quando equipado com o controlo remoto sem fios.
⑤	Pilhas AA LR6	2	Incluído quando equipado com o controlo remoto sem fios.
⑥	Parafusos de derivação de 3,5 × 16	2	Incluído quando equipado com o controlo remoto sem fios.

9.2. Preparar a fixação da grelha (Fig. 9-2)

- Utilizando o medidor ② fornecido com este kit, ajuste e verifique a posição da unidade principal em relação à superfície do teto. Se a unidade principal não estiver adequadamente posicionada em relação à superfície do teto, poderá permitir a ocorrência de fugas de ar ou provocar a acumulação de condensação.
- Assegure-se de que a abertura no tecto está dentro dos seguintes intervalos: 860 × 860 - 910 × 910
- Certifique-se de que o passo A é realizado com 17-22 mm. Se não aderir a esta amplitude de valores poderão ocorrer danos.

- Ⓐ Unidade principal
- Ⓑ Superfície do teto
- Ⓒ Medidor de instalação ② (inserido na unidade principal)
- Ⓓ Dimensões da abertura do tecto

9.2.1. Remoção da grelha de admissão (Fig. 9-3)

- Deslize as alavancas na direcção indicada pela seta ① para abrir a grelha de admissão.
- Abra o engate que fixa a grelha no seu lugar.
 - * Não abra o engate da grelha de admissão.
- Com a grelha de admissão na posição "aberta", retire a dobradiça da grelha de admissão da grelha tal como indicado pela seta ②.

9.2.2. Remoção do painel de canto (Fig. 9-4)

- Desaperte os 4 parafusos do canto. Faça deslizar o painel de canto na direcção da seta ① da figura e retire o painel de canto.

[Fig.9-3] [Fig.9-4]

- Ⓐ Grelha de admissão
- Ⓑ Grelha ①
- Ⓒ Alavancas da grelha de admissão
- Ⓓ Engate da grelha
- Ⓔ Orifício para o engate da grelha
- Ⓕ Painel de canto
- Ⓖ Parafuso
- Ⓗ Pormenor

9.3. Selecção das saídas de ar

Para esta grelha, a direcção de descarga poderá apresentar 11 padrões. Do mesmo modo, colocando as regulações apropriadas no controlo remoto, pode-se ajustar o fluxo de ar e a velocidade. Selecione na Tabela 1 as regulações requeridas em função do lugar onde deseja instalar a unidade. (É necessário seleccionar mais do que duas direcções.)

- 1) Decida qual o padrão da direcção de descarga.
- 2) Certifique-se de que define o controlo remoto para as definições corretas, de acordo com o número de saídas de ar e a altura do teto no qual vai ser instalada a unidade principal.
(Consulte a página 146.)

Nota:

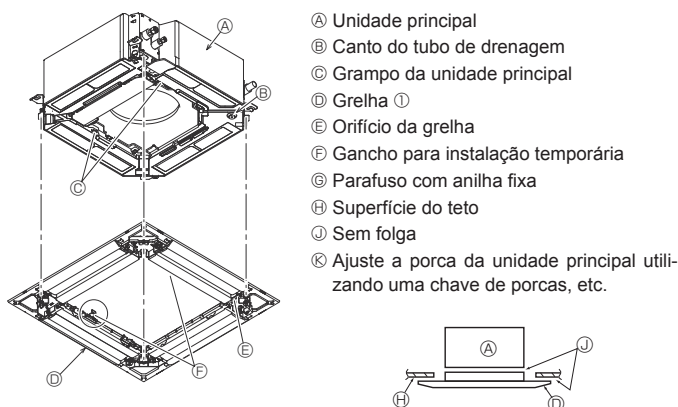
- Quando estiver a mudar o número de direcções, é necessário usar uma placa do obturador da saída de ar, que é uma peça opcional.
- Não selecione 2 direcções num ambiente quente e húmido. (Poderá ocorrer a formação de condensação ou queda de gotas.)

9.4. Instalação da grelha

9.4.1. Preparativos (Fig. 9-5)

Certifique-se de que levanta 2 ganchos da grelha.

9. Instalação da grelha



- Ⓐ Unidade principal
- Ⓑ Canto do tubo de drenagem
- Ⓒ Grampo da unidade principal
- Ⓓ Grelha ①
- Ⓔ Orifício da grelha
- Ⓕ Gancho para instalação temporária
- Ⓖ Parafuso com anilha fixa
- Ⓗ Superfície do teto
- Ⓙ Sem folga
- Ⓚ Ajuste a porca da unidade principal utilizando uma chave de porcas, etc.

Fig. 9-6

< Grelha temporariamente instalada >

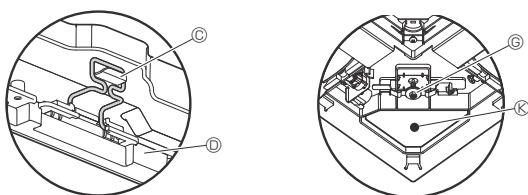


Fig. 9-7

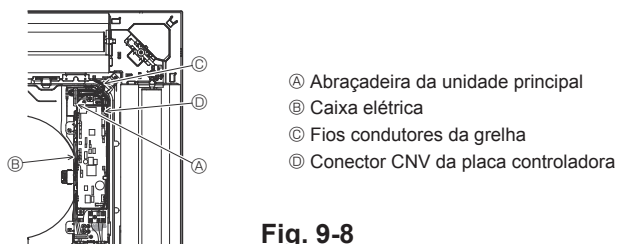


Fig. 9-8

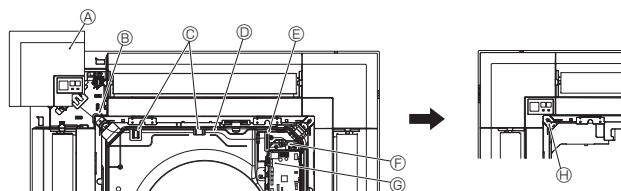


Fig. 9-9

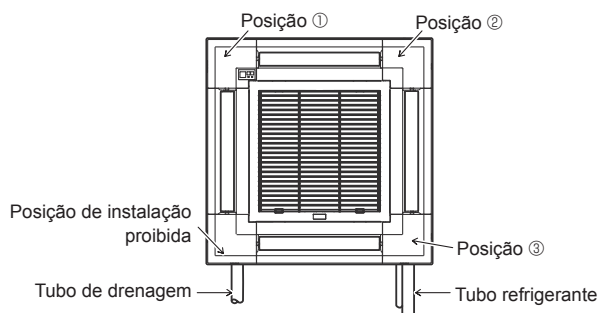


Fig. 9-10

9.4.2. Instalação temporária da grelha (Fig. 9-6)

- Una o canto do tubo de drenagem existente na unidade principal ao canto com orifício da grelha e prenda-os temporariamente encaixando o gancho da grelha no grampo da unidade principal.

9.4.3. Fixar a grelha

- Para fixar a grelha na unidade principal, aperte os parafusos pré-instalados. (Fig. 9-6)

Nota:

Certifique-se de que não existem folgas entre a unidade principal e a grelha nem entre a grelha e a superfície do teto. (Fig. 9-6)

Se existir uma folga entre a grelha e o teto:

Com a grelha fixa, ajuste ligeiramente a altura de instalação da unidade principal e elimine a folga.

⚠ Cuidado:

- Quando apertar o parafuso, certifique-se de que o binário de aperto é de 2,8 N•m a 3,6 N•m. Nunca utilize uma chave de fendas de impacto.
- Depois de apertar o parafuso, confirme se os dois ganchos da grelha (Fig. 9-6) estão engatados nos ganchos da unidade principal.

9.4.4. Ligação do fio (Fig. 9-8)

- Desaperte os 2 parafusos que fixam a tampa da caixa elétrica à unidade principal e faça deslizar a tampa para a abrir.
- Encaminhe o fio condutor a partir da parte lateral da caixa elétrica.
- Certifique-se de que liga um conector para o motor de palhetas (branco, 20 polos) ao conector CNV (branco) da placa controladora da unidade principal.
- Os fios condutores que ficam fora da grelha devem ser unidos sem folga com uma abraçadeira na caixa elétrica.

9.4.5. Instalar o recetor de sinal (Fig. 9-9)

- Encaminhe o fio condutor (branco, 9 polos) para o painel de canto do recetor de sinal a partir da parte lateral da caixa elétrica da unidade principal.
- Certifique-se de que liga ao conector CN90 (branco) da placa controladora.
- Certifique-se de que passa o fio condutor do painel de canto do recetor de sinal através do grampo da boca de sino.
- O fio condutor restante deve ser unido sem folga com uma abraçadeira na caixa elétrica.
- Volte a colocar a tampa na caixa elétrica com 2 parafusos.

Nota:

Certifique-se de que os fios não ficam presos na tampa da caixa elétrica.

Instale o painel de canto do recetor de sinal no painel e fixe-o com o parafuso.

O painel de canto do recetor de sinal não pode ser instalado no lado do tubo de drenagem da unidade principal. (Consulte a Fig. 9-10)

- Ⓐ Painel de canto do recetor de sinal
- Ⓑ Orifício da grelha (Passar o fio condutor)
- Ⓒ Grampo da boca de sino
- Ⓓ Fio
- Ⓔ Abraçadeira
- Ⓕ Banda do cabo (Segurar o fio condutor)
- Ⓖ CN90 na placa controladora
- Ⓗ Parafuso

9. Instalação da grelha

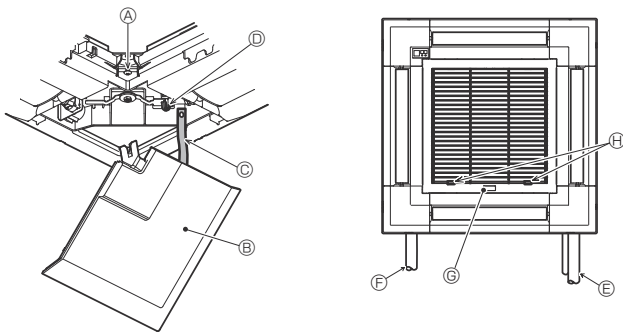


Fig. 9-11

9.5. Instalação da grelha de admissão (Fig. 9-11)

Nota:

Quando reinstalar os painéis de canto (cada um deles com uma tira de segurança aplicada), ligue a outra extremidade da tira de segurança à grelha tal como ilustrado na figura.

* Se os painéis de canto não forem fixos com segurança, poderão cair enquanto a unidade principal está a funcionar.

• Efetue o procedimento descrito em "9.2. Preparação da fixação da grelha" pela ordem inversa para instalar a grelha de admissão e o painel de canto.

• É possível alterar a direção da grelha de admissão de acordo com as preferências do cliente.

Ⓐ Parafuso (4 × 16)

Ⓑ Painel de canto

Ⓒ Tira de segurança

Ⓓ Gancho

Ⓔ Tubo refrigerante

Ⓕ Tubo de drenagem

Ⓖ Logótipo da empresa

* É possível instalar em qualquer posição.

Ⓗ Posição das alavancas na grelha de admissão quando enviada da fábrica

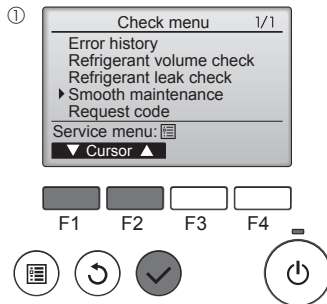
* Embora os grampos possam ser instalados em qualquer uma de 4 posições, é recomendada a configuração aqui exibida. (Não é necessário remover a grelha de admissão quando é efetuada a manutenção na caixa elétrica da unidade principal.)

10. Função de manutenção fácil

Os dados de manutenção, tais como a temperatura do permutador de calor e o consumo actual do compressor para as unidades interior e exterior, podem ser visualizados com "Smooth maintenance" (manutenção suave).

* Esta função não pode ser utilizada durante o funcionamento de ensaio.

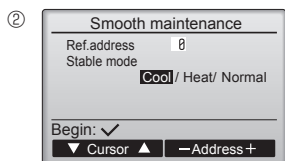
* Dependendo da combinação com a unidade exterior, esta função pode não ser suportada por alguns modelos.



• Seleccione "Service" (Assistência) no "Main menu" (Menu principal) e prima o botão [OK].

• Seleccione "Check" com o botão [F1] ou [F2] e prima o botão [OK].

• Seleccione "Smooth maintenance" (manutenção suave) com o botão [F1] ou [F2] e prima o botão [OK].



Seleccione cada item

• Seleccione o item a alterar com o botão [F1] ou [F2].

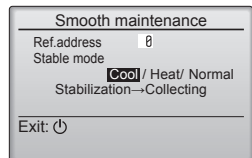
• Seleccione a definição pretendida com o botão [F3] ou [F4].

Definição "Ref. address" (Endereço) "0" - "15"

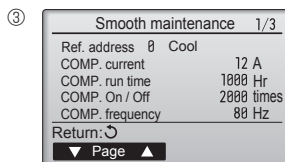
Definição "Stable mode" (Modo estável)..... "Cool" (Frio) / "Heat" (Calor) / "Normal"

• Prima o botão [OK] e a operação fixa é iniciada.

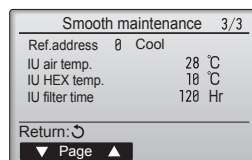
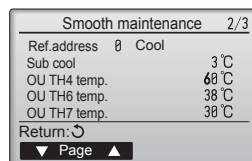
* O Stable mode (Modo estável) dura aprox. 20 minutos.



Os dados da operação são apresentados.



O tempo de funcionamento cumulativo do compressor (COMP. run (COMP. iniciado)) está em unidades de 10 horas, enquanto que o número de vezes de funcionamento do compressor (COMP. On/Off (COMP. Ligado/Desligado)) está em unidades de 100 vezes (fracções não apresentadas)



Navegar nos ecrãs

- Para voltar ao Menu principalbotão [MENU]
- Para voltar ao ecrã anterior botão [VOLTAR]

Indholdsfortegnelse

1. Sikkerhedsforanstaltninger.....	154	6. Elektrisk arbejde.....	160
2. Montagested.....	155	7. Afprøvning.....	166
3. Montering af den indendørs enhed.....	156	8. Systemkontrol.....	169
4. Montering af kølemiddelrør.....	158	9. Montering af gitteret.....	170
5. Føring af drænrør.....	159	10. Nem vedligeholdelsesfunktion.....	172

Bemærk:





Udtrykket "Ledningsforbundet fjernbetjening" i denne installationsvejledning refererer kun til PAR-32MAA.

Se enten installationsvejledningen eller startindstillingsvejledningen i denne kasse for at få yderligere oplysninger om den anden fjernbetjening.

1. Sikkerhedsforanstaltninger

- ▶ Læs alle "Sikkerhedsforanstaltninger", før De installerer enheden.
- ▶ "Sikkerhedsforanstaltninger" er en oversigt over vigtige sikkerhedspunkter. Disse skal følges.
- ▶ Oplys det lokale elseskab om anlægget, eller indhent deres tilladelse, før udstyret sluttes til strømforsyningen.

BETYDNINGEN AF DE SYMBOLER, DER VISES PÅ ENHEDEN

	ADVARSEL (Risiko for brand)	Dette symbol gælder kun for R32-kølemiddel. Kølemiddeltypen står på udendørsenhedens navneplade. Hvis kølemiddeltypen er R32, anvender denne enhed et brændbart kølemiddel. Hvis kølemiddel lækker og kommer i kontakt med ild eller varmeenheder, dannes der skadelig gas, og der opstår risiko for brand.
	Læs omhyggeligt BETJENINGSVEJLEDNINGEN før drift.	
	Servicepersonale skal omhyggeligt læse BETJENINGSVEJLEDNINGEN og INSTALLATIONSVEJLEDNINGEN før drift.	
	Yderligere oplysninger fremgår af BETJENINGSVEJLEDNINGEN, INSTALLATIONSVEJLEDNINGEN osv.	

Symboler anvendt i teksten

⚠ Advarsel:

Beskriver sikkerhedsforanstaltninger, der skal træffes, for at undgå personskade eller dødsfald.

⚠ Forsigtig:

Beskriver forholdsregler, der skal træffes, for at forhindre at enheden bliver beskadiget.

Symboler anvendt i illustrationerne

⚡ : Angiver en del, der skal jordforbindes.

⊘ : Må ikke gøres.

Efter afslutning af installationsarbejdet skal "Sikkerhedsforanstaltninger", brugen og vedligeholdelsen af enheden forklares for kunden ifølge betjeningsvejledningen. Desuden skal der foretages en testkørsel for at sikre normal funktion. Både installations- og betjeningsvejledningen skal overdrages til brugeren. Disse vejledninger skal gives videre til efterfølgende brugere.

⚠ Advarsel:

- Læs etiketterne på hovedenheden omhyggeligt.
- Bed forhandleren eller et autoriseret firma om at installere, flytte og reparere enheden.
- Brugeren bør aldrig forsøge at reparere enheden eller flytte den til en anden placering.
- Enheden må ikke modificeres.
- Følg anvisningerne i installationsvejledningen ved installation og flytning, og brug det værktøj og de rørdele, der er specifikt beregnet til anvendelse sammen med det kølemiddel, der er specificeret i installationsvejledningen til udendørsenheden.
- For at minimere risikoen for beskadigelse som følge af jordskælv, tyfoner eller kraftigt stormvejr skal enheden installeres ifølge vejledningen. En ukorrekt installeret enhed kan falde ned og forårsage beskadigelse eller kvæstelser.
- Enheden skal monteres fast og sikkert på en underkonstruktion, der kan bære dens vægt.
- Apparatet skal opbevares på et godt ventileret sted, hvor rumstørrelsen svarer til det rumareal, der er specificeret for drift.
- Hvis klimaanlægget installeres i et lille eller lukket rum, skal der tages forholdsregler for at forhindre, at kølemiddelkoncentrationen i rummet overstiger sikkerhedsgrænsen i tilfælde af kølemiddellækage. Hvis der opstår lækage af kølemidlet, som forårsager overskridelse af koncentrationsgrænsen, kan der opstå livsfare på grund af manglende ilt i rummet.
- Hold gasbrændere, elektriske varmeapparater og andre brandkilder (antændelseskilder) væk fra det sted, hvor installation, reparation og andet arbejde på klimaanlægget udføres. Hvis kølemidlet kommer i kontakt med åben ild, frigives giftige gasser.
- Ventil rummet hvis der opstår kølemiddellækage under driften. Hvis kølemidlet kommer i kontakt med åben ild, afgives der giftige gasser.
- Alle elinstallationsarbejder skal udføres af en faguddannet elinstallatør og ifølge de lokale bestemmelser og instruktionerne i denne vejledning.
- Brug kun de anviste kabler til kabelføring. Kabelforbindelserne skal være sikre, så der ikke er belastning af terminalforbindelserne. Undgå desuden at sammensplejse kabler til kabelføring (medmindre andet er anvist i dette dokument). Manglende overholdelse af disse instruktioner kan medføre overophedning eller brand.
- Ved installation, flytning eller serviceeftersyn af klimaanlægget må der kun anvendes det specificerede kølemiddel, der står på udendørsenheden, til fyldning af kølemiddelrørene. Det må ikke blandes med nogen anden type kølemiddel, og der må ikke være luft tilbage i rørene. Hvis der blandes luft sammen med kølemidlet, kan det forårsage et unormalt højt tryk i kølemiddelrøret og resultere i en eksplosion og andre farlige situationer.

Hvis der bruges andre kølemidler end det, der er specificeret for systemet, forårsager det mekanisk driftssvigt eller funktionsfejl i systemet eller nedbrud af enheden. I værste fald kan det føre til en alvorlig hindring for produktikkerheden.

- Apparatet skal installeres i overensstemmelse med nationale lovbestemmelser for elektrisk installation.
- Dette apparat er ikke beregnet til at blive brugt af personer (herunder børn) med nedsatte fysiske, sensoriske eller mentale evner eller manglende erfaring og viden, medmindre det sker under overvågning, eller de vejledes i brugen af apparatet af en person, der er ansvarlig for deres sikkerhed.
- Børn skal overvåges for at sikre, at de ikke leger med apparatet.
- Klemkassens dæksel på enheden skal skrues godt fast.
- Hvis forsyningsledningen er beskadiget, skal den udskiftes af producenten, serviceteknikeren eller en lignende kvalificeret person for at undgå fare.
- Brug kun tilbehør, der er godkendt af Mitsubishi Electric og lad en forhandler eller en autoriseret tekniker installere dem.
- Når installationen er afsluttet, kontrolleres for kølemiddellækager. Hvis kølemiddel løber ud i rummet og kommer i kontakt med åben ild (f.eks. flammen på en opvarmningsenhed eller et transportabelt kogeudstyr), vil der opstå giftige gasser.
- Forsøg ikke at fremskynde afrimningsprocessen eller at rengøre på andre måder end dem, der er anbefalet af producenten.
- Udstyret skal opbevares i et lokale uden kontinuerlige antændelseskilder (f.eks. åben ild, et tændt gasapparat eller et tændt, elektrisk varmeapparat).
- Må ikke gennembøres eller brændes.
- Vær opmærksom på, at kølemiddel muligvis ikke kan lugtes.
- Rørledninger skal beskyttes mod fysisk skade.
- Installation af rørledning skal være minimal.
- Nationale gasbestemmelser skal overholdes.
- Hold de nødvendige ventilationsåbninger fri for forhindringer.
- Brug ikke lodmetal til lav temperatur ved lodning af kølemiddelrørene.
- Udluft rummet tilstrækkeligt under lodning. Kontroller, at der ikke befinder sig farlige eller brændbare materialer i nærheden. Ved udførelse af arbejdet i et lukket eller lille rum eller på et lignende sted skal det før arbejdet sikres, at der ikke er kølemiddellækager. Hvis kølemiddellækager akkumuleres, kan de antændes, eller giftig gas kan blive frigivet.

1. Sikkerhedsforanstaltninger

1.1. Inden installationen (Miljø)

⚠ Forsigtig:

- Brug ikke enheden i usædvanlige omgivelser. Hvis klimaanlægget installeres i områder, hvor det udsættes for damp, flygtig olie (inklusive maskinolie), eller svovlholdige gasser, områder med højt saltindhold som f.eks. ved havet, kan ydelsen blive betydelig nedsat og de indvendige dele kan blive beskadiget.
- Installer ikke enheden på steder, hvor brændbare gasser kan slippe ud, opstå, strømme eller samle sig. Hvis der samler sig brændbare gasser omkring enheden, kan det medføre brand eller eksplosion.
- Sørg for at madvarer, planter, kæledyr i bur, kunstværker eller præcisionsinstrumenter ikke befinder sig i den direkte luftstrøm fra indendørs enheden eller for tæt på enheden, da disse ting kan lide skade ved temperaturændringer eller dryppende vand.
- Hvis rummets luftfugtighed overstiger 80% eller hvis drænledningen tilstoppes, kan der dryppe vand fra indendørs enheden. Installer ikke indendørs enheden hvor sådan drypning kan forårsage skader.
- Hvis enheden installeres i et hospital eller et kommunikationsrum, skal man være forberedt på støj og elektronisk interferens. Omformere, husholdningsapparater, højfrekvent medicinsk udstyr og radiokommunikationsudstyr kan forårsage, at klimaanlægget fungerer forkert eller ødelægges. Klimaanlægget kan også påvirke medicinsk udstyr, kommunikationsudstyr, kvaliteten af skærbilleder og influere på medicinsk behandling.

1.2. Inden installation eller flytning

⚠ Forsigtig:

- Enhederne skal transporteres med stor forsigtighed. Der skal mindst to personer til at håndtere enheden, da den vejer 20 kg eller mere. Løft ikke i emballagebåndene. Bær beskyttelseshandsker, da hænderne kan blive kvæstet af ribberne eller andre dele.
- Sørg for at bortskaffe emballagen efter gældende regler. Emballagematerialer, som f.eks. søm og andre metal- eller trædele kan forårsage rifter eller andre kvæstelser.
- Det er nødvendigt at isolere kølemiddelrøret for at undgå kondensdannelse. Hvis kølemiddelrøret ikke isoleres ordentligt, vil der dannes kondensvand.
- Anbring varmeisolering på rørene for at forhindre kondensdannelse. Hvis drænrøret ikke installeres korrekt, kan det medføre vandlækage og dermed beskadigelse af loftet, gulvet, møbler eller andre ejendele.
- Klimaanlægget må ikke rengøres med vand. Dette kan medføre elektrisk stød.
- Spænd alle brystmøtrikker efter specifikationerne med en momentnøgle. Hvis der spændes for stramt, kan brystmøtrikken knække efter et stykke tid.
- Hvis enheden kører i lang tid, og luften over loftet har en høj temperatur/høj luftfugtighed (dugpunkt over 26 °C), kan der dannes kondens i indendørsenheden eller loftsmaterialerne. Når enhederne anvendes under disse forhold, skal der tilføjes isolerende materiale (10-20 mm) på hele enhedens overflade og loftsmaterialerne for at undgå kondens.

1.3. Inden el-arbejde

⚠ Forsigtig:

- Sørg for at installere hovedafbrydere. Hvis de ikke installeres, kan der opstå elektrisk stød.
- Brug standard kabler med tilstrækkelig kapacitet til forsyningsledningerne. Ellers kan der opstå kortslutning, overophedning eller brand.
- Ved installation af forsyningsledningerne må der ikke være træk i kablerne.
- Sørg for at jordforbinde enheden. Hvis enheden ikke er korrekt jordet, kan det resultere i elektrisk stød.
- Brug mekaniske effektafbrydere (HFI-relæ, hovedafbryder (+B sikring) og effektafbryder i støbt hus) med den specificerede kapacitet. Hvis effektafbryderens kapacitet er større end den specificerede kapacitet, kan det resultere i nedbrud eller brand.

1.4. Inden start af testkørsel

⚠ Forsigtig:

- Tænd hovedafbryderen mere end 12 timer før start af driften. Hvis driften startes straks efter, at hovedafbryderen er tændt, kan der opstå alvorlige skader på de indvendige dele.
- Inden start af driften skal det kontrolleres, at alle paneler, beskyttelsesdæksler og andre beskyttelsesdele er korrekt monteret. Roterende, varme eller højspændingsdele kan forårsage kvæstelser.
- Klimaanlægget må ikke anvendes, uden at luftfilteret er sat på plads. Hvis luftfilteret ikke er monteret, kan der samle sig støv, hvilket kan resultere i nedbrud.
- Rør ikke ved nogen kontakt med våde eller fugtige hænder. Dette kan medføre elektrisk stød.
- Berør ikke kølemiddelrørene med de bare hænder under driften.
- Efter standsning af driften skal der ventes i mindst 5 minutter, inden der slukkes på hovedafbryderen. Ellers kan det resultere i vandlækage eller nedbrud.

2. Montagedsted

Se installationsvejledningen til udendørs enheden.

3. Montering af den indendørs enhed

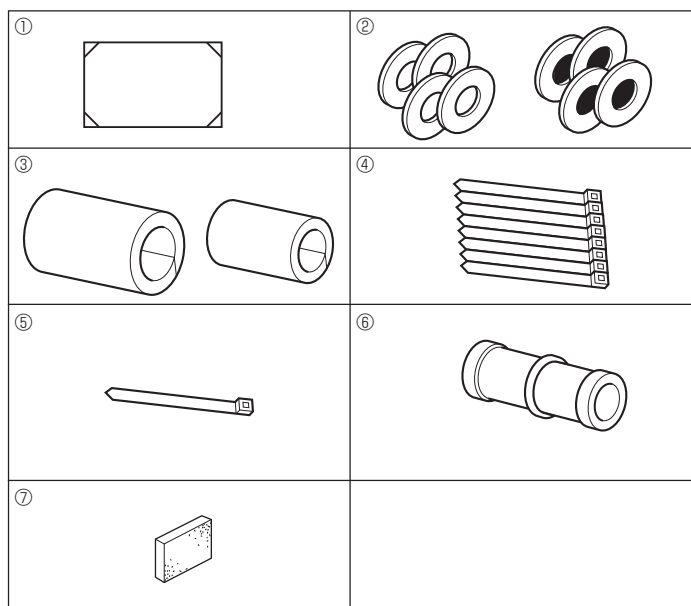


Fig. 3-1

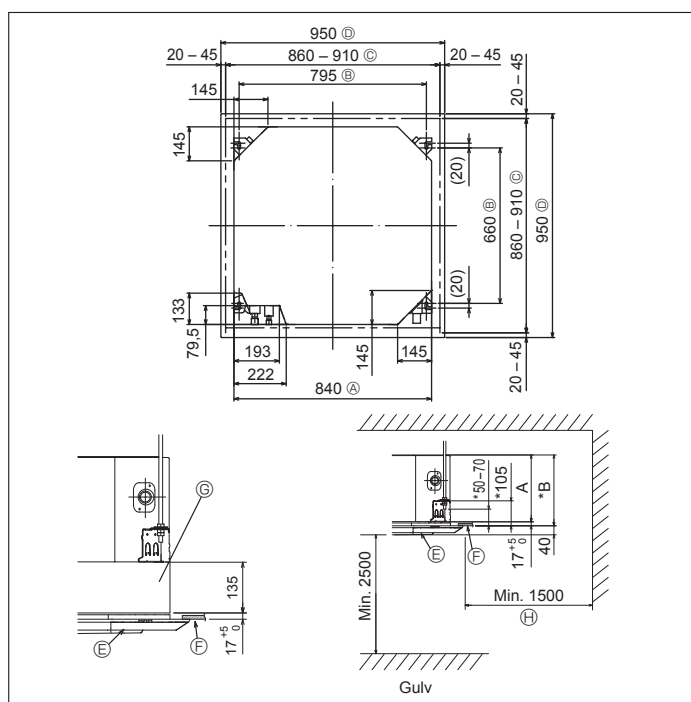


Fig. 3-2

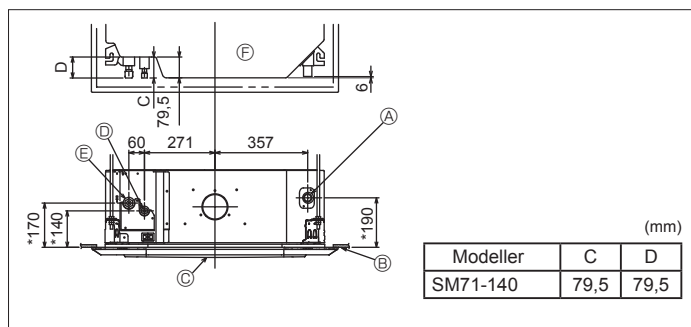


Fig. 3-3

3.1. Check tilbehørsdelene til den indendørs enhed (Fig. 3-1)

Den indendørs enhed skal være leveret sammen med følgende tilbehørsdele.

	Tilbehørsdelens navn	Kvantum
①	Installationsskabelon (emballage top)	1
②	spændskive (med isolering)	4
	spændskive (uden isolering)	4
③	Røraftdækning (til kølerørssamling)	
	Lille diameter	1
	Stor diameter	1
④	Bånd (stort)	8
⑤	Bånd (lille)	1
⑥	Drænmuffe	1
⑦	Isolering	1

3.2. Åbninger mod loft og placering for installation af suspensionsbolt (Fig. 3-2)

⚠ Forsigtig:

Indendørsenheden skal installeres mindst 2,5 m over gulv- eller jordhøjde.

For apparater, der ikke er tilgængelige for menigmand.

• Brug installationsskabelonen (emballage top) og måleapparatet (medfølger som tilbehør til gitteret), og lav en åbning i loftet, så hovedenheden kan installeres som vist i diagrammet (anvendelsesmetode for hhv. skabelon og måleapparat er beskrevet).

* Kontroller inden brug dimensionerne på skabelon og måleapparat, da de ændrer sig som følge af udsving i temperatur og luftfugtighed.

* Dimensionerne på åbningerne i loftet kan reguleres inden for det i Fig. 3-2 viste område. Hovedenheden centreres i forhold til åbningen i loftet, således at mellemrummet mellem enhedens sider og loftkanterne er ens på alle sider.

• Anvend M10 (3/8") suspensionsbolte.

* Suspensionsbolte skal indkøbes lokalt.

• Installer sikkert, idet det sikres at der ikke er noget mellemrum mellem loftspanel og gitter og mellem hovedenhed og gitter.

Ⓐ Ydre side af hovedenhed

Ⓔ Gitter

Ⓑ Boltstigning

Ⓕ Loft

Ⓒ Loftsåbning

Ⓖ Flerfunktionskappe (ekstraudstyr)

Ⓓ Ydre side af gitter

Ⓗ Hele periferien

* Bemærk, at afstanden mellem enhedens loftspanel og loftspladen etc. skal være 7 mm eller mere.

* Hvis flerfunktionskappen, der fås som ekstraudstyr, installeres, skal der tilføjes 135 mm til de dimensioner, der er angivet på figuren.

(mm)

Modeller	A	B
SM71	241	258
SM100-140	281	298

3.3. Placering af kølemiddel- og afløbsrør på indendørs enhed (Fig. 3-3)

Tallet markeret med * på tegningen angiver hovedenhedens dimensioner, ekskl. flerfunktionskappens dimensioner (ekstraudstyr).

Ⓐ Drænrør

Ⓑ Loft

Ⓒ Gitter

Ⓓ Kølerør (væske)

Ⓔ Kølerør (gas)

Ⓕ Hovedenhed

* Når flerfunktionskappen (ekstraudstyr) installeres, skal der lægges 135 mm til dimensionerne på tegningen.

3. Montering af den indendørs enhed

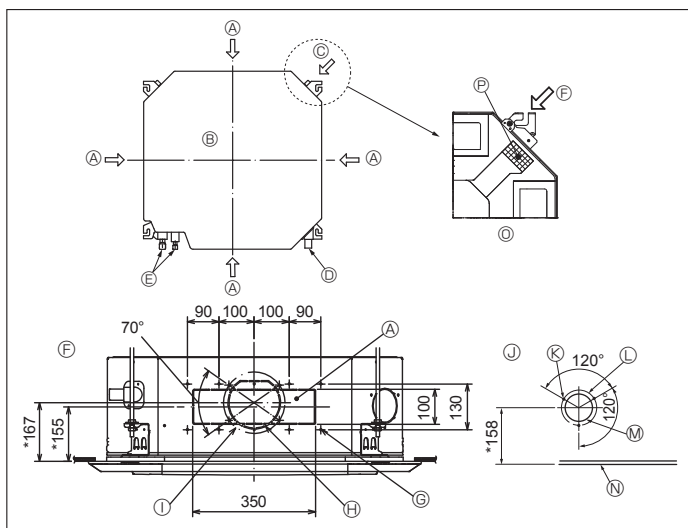


Fig. 3-4

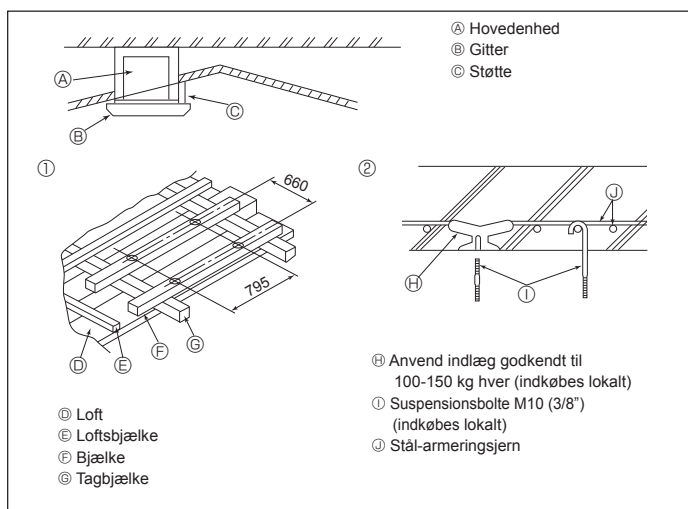


Fig. 3-5

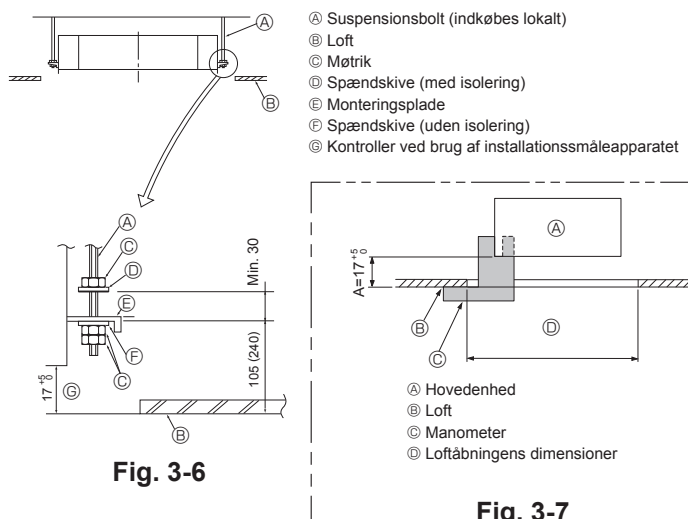


Fig. 3-6

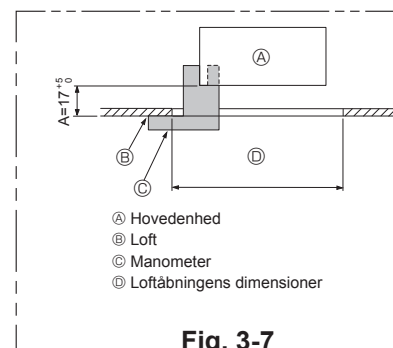


Fig. 3-7

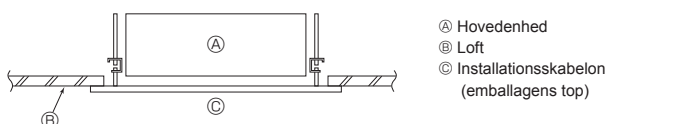


Fig. 3-8

3.4. Åbning til forgreningskanal og åbning til friskluftindtag (Fig. 3-4)

Når enheden monteres, bruges kanalåbningerne (udskæringer) placeret som vist i Fig. 3-4 når og hvis behovet opstår.

- Man kan også lave et friskluftindtag til flerfunktionskappen (ekstraudstyr).

Bemærk:

- Tallene markeret med * på tegningen angiver målene for hovedenheden undtagen målene for flerfunktionskappen (ekstraudstyr).
- Ved montering af flerfunktionskappen (ekstraudstyr) skal der lægges 135 mm til målene vist på tegningen.
- Ved montering af forgreningskanalerne skal der isoleres ordentligt. Ellers kan der opstå kondensdannelse og kondensdråber.
- Ved montering af hullet til luftindtag skal isolatoren Ⓣ, som er fastgjort på indendørsenheden, fjernes.
- Når ekstern luft føres direkte ind via hovedenheden, skal indsugningsluftmængden være 5 % eller mindre af indendørsenhedens luftvolumen.
- Ved indføring af ekstern luft er luftkanalventilatoren og støvfilteret nødvendige for at forhindre, at der trækkes støv og andre partikler ind. Se "Friskluftindtagsmængde og egenskaber for statisk tryk" i P-seriens DATABOG.
- Når ekstern luft føres ind i hovedenheden, kan driftsstøjen blive højere.

- Ⓐ Forgreningskanalens åbning
- Ⓑ Hovedenhed
- Ⓒ Friskluftindtag til frisk luft
- Ⓓ Drænrør
- Ⓔ Kølerør
- Ⓕ Forgreningskanalens åbning, diagram (set fra begge sider)
- Ⓖ Pladeskruer, 14-4×10
- Ⓗ ⌀150 udskæringsåbning
- Ⓚ ⌀175 stigning af huller
- Ⓛ Friskluftindtag, diagram
- Ⓜ Pladeskruer, 3-4×10
- Ⓨ Stigning af hul ⌀125
- Ⓩ Udskåret åbning ⌀100
- ⓐ Loft
- ⓑ Detaljeret figur over fjernelse af isolator
- ⓓ Isolering

3.5. Ophængningskonstruktion (Gør plads til ophængningseget konstruktion) (Fig. 3-5)

• Loftsarbejdet varierer efter bygningens konstruktion. Med hensyn til detaljer bør De rådføre Dem med bygningskonstruktører og indendørsarkitekter.

- (1) Udstrækning for fjernelse af loft: Loftet skal holdes fuldstændig horisontalt og loftfunderingen (Skelet: trælister og listeholdere) skal forstærkes for at beskytte loftet mod vibrationer.
- (2) Overskær og fjern loftsfunderingen.
- (3) Forstærk enderne af loftsfunderingen hvor denne er blevet skåret over og tilføj loftsfundering for at sikre enderne af loftspladen.
- (4) Når enheden installeres på et skrånende loft, fastgøres en støtte mellem loftet og gitteret og placeres, så enheden installeres horisontalt.

① Trækonstruktioner

- Anvend hanebjælker (en-etages huse) eller anden sals bjælker (to-etages huse) som forstærkningslegemer.
- Træbjælker til ophængning af aircondition-anlæg skal være robuste og deres sider skal være mindst 6 cm lange, hvis der ikke er mere end 90 cm mellem bjælkerne, og deres sider skal være mindst 9 cm lange, hvis der er så meget som 180 cm mellem bjælkerne. Størrelsen på suspensionsboltene skal være ⌀10 (3/8"). (Boltene leveres ikke sammen med enheden.)

② Konstruktioner i jern-beton

Fastgør suspensionsboltene ved hjælp af den viste metode eller anvend stål- eller træbjælger etc. Til at installere suspensionsboltene.

3.6. Procedurer ved ophængning af enheden (Fig. 3-6)

Hæng hovedenheden op som vist i diagrammet. Tallene i parenteser angiver dimensionerne ved installation af flerfunktionskappen (ekstraudstyr).

1. Sæt i forvejen delene på suspensionsboltene i rækkefølgen: spændskiverne (med isolering), spændskiver (uden isolering) og møtrikker (dobbelte).
- Monter spændskiven med pude således at isoleringen peger nedad.
- Hvis der anvendes øvre spændskiver til at hænge hovedenheden op, skal de nedre spændskiver (med isolering) og møtrikker (dobbelte) monteres senere.
2. Løft enheden til den korrekte højde for suspensionsboltene til at indsætte monteringspladen mellem spændskiver og fastgør den derefter omhyggeligt.
3. Hvis hovedenheden ikke kan anbringes til at flugte med monteringshullet i loftet, kan den justeres, da der findes et langhul i monteringspladen.
- Kontroller at trin A udføres inden for 17-22 mm. Hvis dette område ikke overholdes, kan det medføre beskadigelse. (Fig. 3-7)

⚠ Forsigtig:

Brug den øverste halvdel af kassen som beskyttelse for at forhindre støv eller småpartikler i at komme ind i enheden før installationen af dekorationspladen, eller når der opsættes loftmaterialer.

3.7. Kontrol af hovedenhedens placering og spænding af suspensionsboltene (Fig. 3-8)

- Anvend måleaggregatet fastgjort til gitrene, tilse at bunden af hovedenheden flugter korrekt med loftåbningen. Vær opmærksom på at kontrollere dette, da der ellers kan forekomme dråber af kondens som følge af lækning af luft etc.
- Kontroller at hovedenheden er nivelleret horisontalt, dette gøres ved hjælp af et vaterpas eller et vinylrør fyldt med vand.
- Efter at have sikret sig hovedenhedens placering spændes suspensionsboltene møtrikker omhyggeligt for at fastgøre hovedenheden.
- Installationsskabelonen (emballageens top) kan anvendes som beskyttelse for at forhindre, at der kommer støv ind i hovedenheden, når gitrene ikke er monteret på enheden, eller når loftmaterialerne skal opsættes efter installation af enheden.
- * Hvad angår detaljer vedrørende montage, se da instruktionerne, der gives på installationsskabelonen. (emballageens top)

4. Montering af kølemiddelrør

4.1. Sikkerhedsforanstaltninger

Enheder, der bruger R32/R410A-kølemiddel

- Brug alkylbenzenolie (en lille mængde) som kølemiddelolie til at smøre på de opkravede sektioner.
- Brug C1220 kobber-fosfor legering, for sømløse rør af kobber og kobberlegering, til at samle kølemiddelrør. Brug kølemiddelrør med den tykkelse, der er angivet i skemaet nedenfor. Kontrollér at det indvendige af rørene er rene og ikke indeholder skadelige forureninger som f.eks. svovlholdige blandinger, oxidanter, affald eller støv.

⚠ Advarsel:

Ved installation, flytning eller serviceeftersyn af klimaanlægget må der kun anvendes det specificerede kølemiddel, der står på udendørsenheden, til fyldning af kølemiddelrørene. Det må ikke blandes med nogen anden type kølemiddel, og der må ikke være luft tilbage i rørene.

Hvis der blandes luft sammen med kølemidlet, kan det forårsage et unormalt højt tryk i kølemiddelrøret og resultere i en eksplosion og andre farlige situationer. Hvis der bruges andre kølemidler end det, der er specificeret for systemet, forårsager det mekanisk driftssvigt eller funktionsfejl i systemet eller nedbrud af enheden. I værste fald kan det føre til en alvorlig hindring for produktikkerheden.

ø6,35 tykkelse 0,8 mm	ø9,52 tykkelse 0,8 mm
ø12,7 tykkelse 0,8 mm	ø15,88 tykkelse 1,0 mm

- Anvend ikke rør med mindre tykkelse end angivet ovenfor.

4.2. Forbindelsesrør (Fig. 4-1)

- Når der anvendes almindelige kobberrør, pakkes væske- og gasrør ind i almindeligt isoleringsmateriale (varmebestandigt indtil 100 °C eller derover, tykkelse 12 mm og derover).
- Kom et tyndt lag køleolie på rør og samlingsoverflade, før stramning af brystmøtrikken.
- Anvend to skruenøgler til at spænde rørforbindingerne.
- Brug den medfølgende isolering til kølemiddelrørene til at isolere tilslutningerne til indendørsenheden. Foretag isoleringen omhyggeligt.
- Efter tilslutning af kølemiddelrørføringen til indendørsenheden kontrolleres rørforbindingerne for gaslækage med kvælstof (kontrollér, at der ikke lækker kølemiddel fra rørene til indendørsenheden).
- Brug brystmøtrikken, der er installeret på denne indendørsenhed.
- Hvis kølemiddelrørene skal tilsluttes igen efter afmontering, skal opkravningen af røret udføres igen.

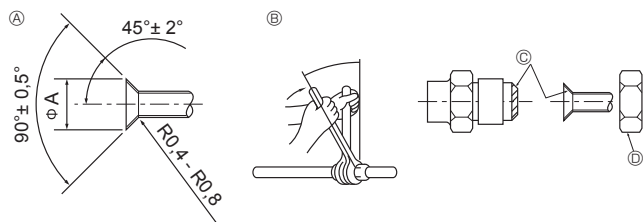


Fig. 4-1

Ⓐ Skæremål for kraver

Kobberrør udv. dia (mm)	Kravemål øA-mål (mm)
ø6,35	8,7 - 9,1
ø9,52	12,8 - 13,2
ø12,7	16,2 - 16,6
ø15,88	19,3 - 19,7

Ⓑ Tilspændingsmoment for omløbermøtrik

Kobberrør udv. dia (mm)	Omløbermøtrik, udv. dia (mm)	Tilspændingsmoment (N·m)
ø6,35	17	14 - 18
ø6,35	22	34 - 42
ø9,52	22	34 - 42
ø12,7	26	49 - 61
ø15,88	29	68 - 82

Ⓒ Påfør kølemaskineolie på hele opkravningssædets overflade.

Ⓓ Anvend de korrekte koniske møtrikker, der passer til udendørsenhedens rørstørrelse.

Tilgængelige rørstørrelser

	SM71-140
Væskeside	ø9,52 O
Gasside	ø15,88 O

O : Fabriksleveret konisk møtriktillutning til varmeudveksleren.

⚠ Advarsel:

- **Pas på! Brystmøtrikken kan flyve ud! (Internt tryk)**
Afmont brystmøtrikken som følger:
 1. Løsn møtrikken, til der høres en hvæsende lyd.
 2. Fjern ikke møtrikken, før al gas er udluftet (den hvæsende lyd stopper).
 3. Kontrollér, at al gas er udluftet, og fjern derefter møtrikken.
- Tilslut omhyggeligt rørene, før kompressoren startes, når enheden installeres.

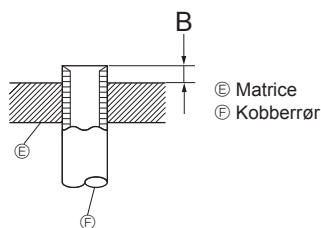


Fig. 4-2

Kobberrør udv. dia (mm)	B (mm)
	Kravenøgle til R32/R410A
	Koblingstype
ø6,35 (1/4")	0 - 0,5
ø9,52 (3/8")	0 - 0,5
ø12,7 (1/2")	0 - 0,5
ø15,88 (5/8")	0 - 0,5

4. Montering af kølemiddelrør

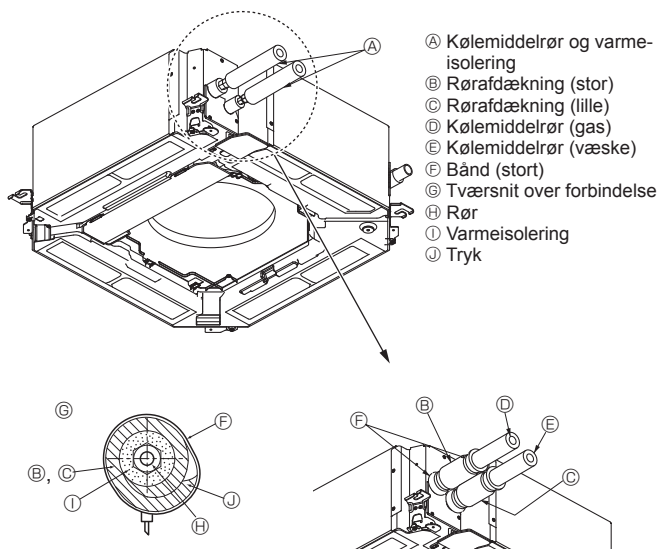


Fig. 4-3

Varmeisolering til kølemiddelrør (Fig. 4-3)

- 1 Vikl den vedlagte store rørafdækning om gasrøret, og sørg for, at rørafdækningens ende rører enhedens side.
- 2 Vikl den vedlagte lille rørafdækning om væskerøret, og sørg for, at rørafdækningens ende rører enhedens side.
- 3 Fastgør begge ender af hver rørafdækning med de vedlagte bånd (fastgør båndene 20 mm fra rørafdækningernes ender).

4.3. Til dobbelt kombination

Se installationsvejledningen til udendørs enheden.

Nogle udendørsenheder kan ikke anvendes i et samtidigt dobbelt system.

5. Føring af drænrør

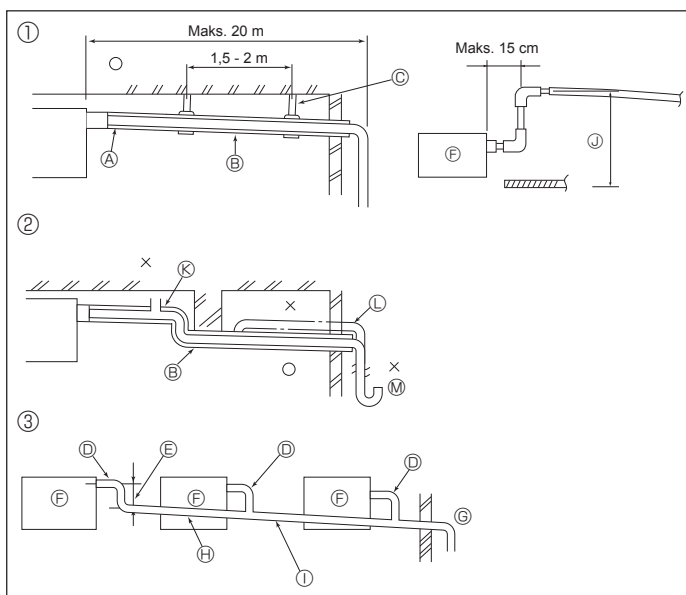


Fig. 5-1

5.1. Føring af drænrør (Fig. 5-1)

- De indendørs dele af drænrøret skal pakkes ind i isoleringsmateriale af polyethylen (massefylde på 0,03, tykkelse på 9 mm eller derover).
 - Anvend VP25 (O.D. ø32 PVC rør) til føring af drænrør og skab et fald på 1/100 eller mere.
 - Forbind rørsamlingerne vha. et klæbemiddel af PVC-typen.
 - Se tegningen vedr. rørføring.
 - Anvend den medfølgende drænslange til at ændre udtagets retning.
 - Ved udførelse af arbejde på afløbsrør skal metalunderstøttningsholderne altid bruges.
- Hvis drænmuffen udsættes for en belastning, der beskadiger slangen eller rykker slangen af, kan der opstå vandlækage.

- | | |
|--|--|
| ① Korrekt rørføring | Ⓞ Gør rørføringsstørrelsen stor til grupperet rørføring |
| ② Forkert rørføring | Ⓢ Fald (1/100 eller mere) |
| ③ Grupperet rørføring | Ⓛ O.D. ø38 PVC rør til grupperet rørføring (9 mm isolering eller mere) |
| ⓐ Isolering (9 mm eller mere) | Ⓜ Op til 85 cm |
| ⓑ Fald (1/100 eller mere) | Ⓝ Luftudtag |
| ⓒ Metalunderstøtning | Ⓦ Hævet |
| ⓓ O.D. ø32 PVC rør | Ⓧ Lugtfælle |
| ⓔ Gøres så stor som muligt (ca. 10 cm) | |
| ⓕ Hovedenhed | |

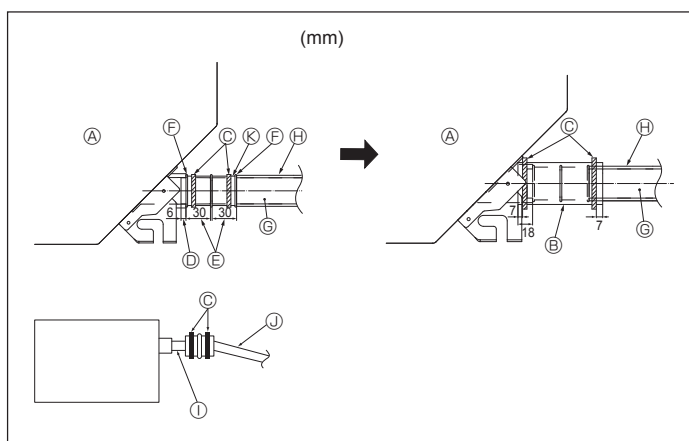


Fig. 5-2

1. Tilslut drænmuffen (følger med enheden) til drænporten. (Fig. 5-2) (Påhæft slangen ved hjælp af PVC-klæbemiddel, fastgør det derefter med en holder.)
2. Installer et drænrør, som du har købt lokalt (PVC-rør, O.D. ø32) (Påhæft røret ved hjælp af PVC-klæbemiddel, fastgør det derefter med en holder.)
3. Kontrollér at drænet flyder jævnt.
4. Isolér drænporten og soklen med isoleringsmateriale, og fastgør derefter materialet med et bånd. (Både isoleringsmateriale og holder følger med enheden.)
5. Isolér slangen og røret. (PVC-rør, O.D. ø32)

ⓐ Hovedenhed	Ⓞ Drænrør (PVC-rør, O.D. ø32)
ⓑ Isoleringsmateriale	Ⓢ Isoleringsmateriale (købt lokalt)
ⓒ Bånd (stort)	Ⓛ Gennemsigtig PVC-rør
ⓓ Drænporth (gennemsigtig)	Ⓜ PVC-rør, O.D. ø32 (Fald på 1/100 eller mere)
ⓔ Indsættelsesmargen	Ⓝ Drænmuffe
ⓕ Modsvarende	

6. Elektrisk arbejde

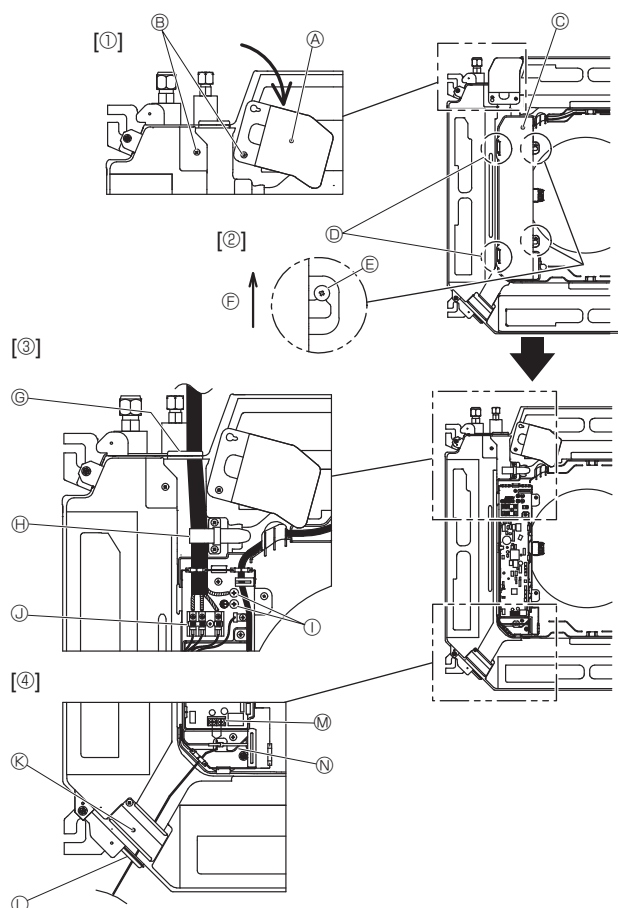


Fig. 6-1

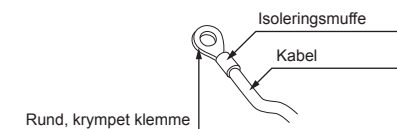


Fig. 6-2

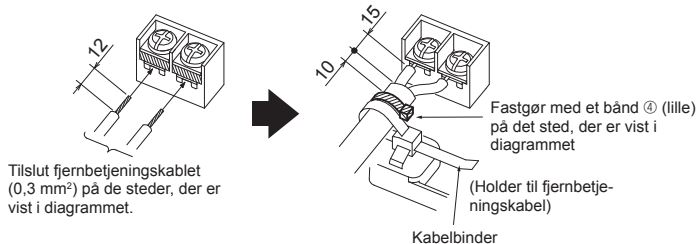


Fig. 6-3

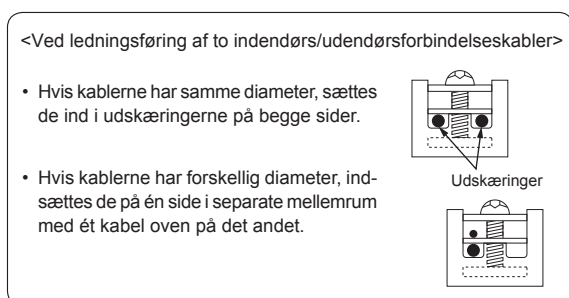


Fig. 6-5

6.1. Indendørs enhed (Fig. 6-1)

1. Løsn de to skruer, der holder servicepanelet til elektrisk ledningsføring fast, og vend derefter servicepanelet til elektrisk ledningsføring. [Fig. 6-1 ①]
2. Løsn de to skruer, der holder dækslet over el-boksen fast, og skub derefter dækslet af. [Fig. 6-1 ②]
3. Før strømkablet, indendørs-/udendørsenhedens tilslutningskabel og jordforbindelseskablet gennem de respektive åbninger til ledningsføring som vist i diagrammet. [Fig. 6-1 ③] Sæt den kappeklædte del af strømkablet og indendørs-/udendørsenhedens tilslutningskabel i el-dåsen. Brug runde, krympede klemmer til klembrættet til indendørs-/udendørsenheden og det valgfrie strømforsyningsklemmesæt. [Fig. 6-2] Følg fremgangsmåden i Fig. 6-3-6-6, hvis du ikke kan bruge runde, krympede klemmer. Se 6.1.1. og 6.1.2. for at få flere oplysninger om forbindelsen.
4. Før fjernbetjenings styrekabel gennem de respektive åbninger til ledningsføring som vist i diagrammet. [Fig. 6-1 ④, Fig. 6-3] Se 6.1.1. og 6.1.2. for at få flere oplysninger om forbindelsen.

• Klemskrueene må ikke være løse.

Klembrætskrue

	Tilspændingsmoment (N·m)
Fjernbetjenings klembræt	1,2 ± 0,1
Indendørs-udendørsforbindelsens klembræt	1,6 ± 0,1
Jordforbindelseskabel	1,6 ± 0,1

- Lad der være slæk i ledningen, så el-boksen kan hænge under enheden ved service (ca. 50 til 100 mm).

- ① Servicepanel til elektrisk ledningsføring
- ② Skruer
- ③ Dæksel til el-boks
- ④ Midlertidig krog til dæksel til el-boks
- ⑤ Skruer
- ⑥ Skubberetning for dækslet til el-boks
- ⑦ Indgang for strømkabel og indendørs-/udendørsenhedens forbindelseskabel
- ⑧ Fastgør med kabelbinder.
- ⑨ Jordforbindelseskabel
- ⑩ Forbindelsesklemme til indendørs-/udendørsenhed
- ⑪ Servicepanel til elektrisk ledningsføring (fjernbetjening)
- ⑫ Indgang for den ledningsforbundne fjernbetjening
- ⑬ Den ledningsforbundne fjernbetjenings klemme
- ⑭ Fastgør med kabelbinder.

⚠ Forsigtig:

- Fjernbetjeningskablets ledningsføring skal ske på afstand (5 cm eller mere) fra strømkildens ledningsføring, så den ikke påvirkes af elektrisk interferens fra strømkildens ledningsføring.

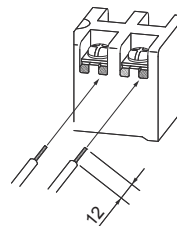


Fig. 6-4

- Den U-formede rille åbnes, hvis du trykker på skruehovedet, efter at skruen er løsnet.

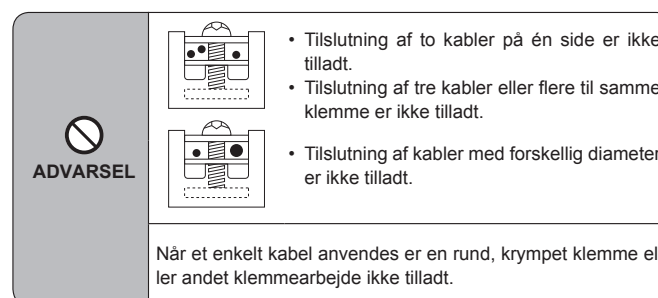


Fig. 6-6

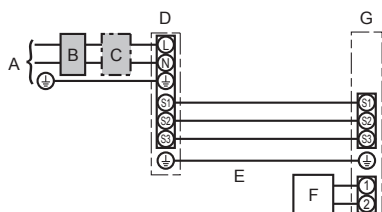
6. Elektrisk arbejde

6.1.1. Strøm til indendørsenheden fra udendørsenheden

Følgende forbindelsesmønstre er tilgængelige.

Strømforsyningsmønstret til udendørsenheden varierer for de forskellige modeller.

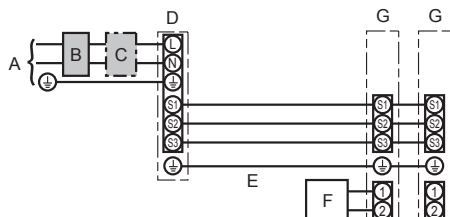
1:1-system



- A Strømforsyning til udendørsenhed
- B Jordet lækageafbryder
- C Ledningsafbryder eller ledningsadskiller
- D Udendørsenhed
- E Tilslutningsledninger til indendørsenhed/ udendørsenhed
- F Fjernbetjening
- G Indendørsenhed

* Påsæt en mærkat A, som følger med manualerne, i nærheden af hvert ledningsdiagram for indendørs- og udendørsenhederne.

Samtidigt dobbelt system



- A Strømforsyning til udendørsenhed
- B Jordet lækageafbryder
- C Ledningsafbryder eller ledningsadskiller
- D Udendørsenhed
- E Tilslutningsledninger til indendørsenhed/ udendørsenhed
- F Fjernbetjening
- G Indendørsenhed

* Påsæt en mærkat A, som følger med manualerne, i nærheden af hvert ledningsdiagram for indendørs- og udendørsenhederne.

Bemærk:

Nogle enheder kan ikke anvendes i et samtidigt dobbelt system. Se installationsvejledningen til udendørsenheden for at få flere oplysninger.

Model, indendørs enhed		PLA	
Ledningsføring Ledning nr. x størrelse (mm ²)	Indendørs enhed-Udendørs enhed	*1	3 × 1,5 (Polær)
	Indendørs/udendørs enhed, jordforbindelse	*1	1 × Min.1,5
	Indendørsenhed jordforbindelse		1 × Min.1,5
	Fjernbetjening-indendørs enhed	*2	2 × 0,3 (Ikke-polær)
Kredsløbska- pacitet	Indendørs enhed (Varmelegeme) L-N	*3	—
	Indendørs enhed-Udendørs enhed S1-S2	*3	230 VAC
	Indendørs enhed-Udendørs enhed S2-S3	*3	24 VDC
	Fjernbetjening-indendørs enhed	*3	12 VDC

*1. <Til anvendelse ved udendørsenhed 71-140>

Maks. 45 m

Hvis der bruges 2,5 mm², maks. 50 m

Hvis der bruges 2,5 mm² og S3 separeret, maks. 80 m

*2. Maks. 500 m

(Når der bruges to fjernbetjening, må ledningslængden på fjernbetjeningskablerne maksimalt være 200 m).

*3. Tallene er IKKE altid i forhold til jorden.

S3-klemmen har 24 VDC i forhold til S2-klemmen. Mellem S3 og S1 er disse klemmer ikke elektrisk isolerede af transformeren eller andre enheder.

Bemærkninger:

1. Ledningsdimensioner skal være i overensstemmelse med gældende lokale og nationale normer.
2. Ledningerne mellem strømforsyningen og indendørs-/udendørsenheden må ikke være lettere end kappebeklædte, bøjelige polychloprenledninger (60245 IEC 57).
3. Installer et jordkabel, der er længere end andre kabler.
4. Indendørs- og udendørsforbindelseskablerne har polariteter. Klemmenumrene (S1, S2, S3) skal stemme overens med henblik på korrekte ledningsføringer.
5. Fjernbetjeningskablets ledningsføring skal ske på afstand (5 cm eller mere) fra strømkildens ledningsføring, så den ikke påvirkes af elektrisk interferens fra strømkildens ledningsføring.

⚠ Advarsel:

Sammensplejs aldrig netkablet eller kablet til indendørs-udendørs-forbindelsen, da dette kan medføre røgudvikling, brand eller kommunikationsfejl.

6. Elektrisk arbejde

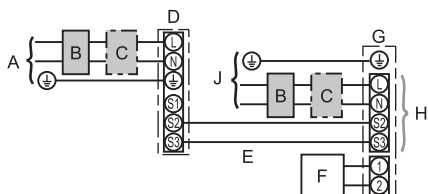
6.1.2. Separate strømforsyninger til indendørsenhed/udendørsenhed (kun til PUHZ-type)

Følgende forbindelsesmønstre er tilgængelige.

Strømforsyningsmønstret til udendørsenheden varierer for de forskellige modeller.

1:1-system

* Der kræves et klemmesæt til indendørs strømforsyning.

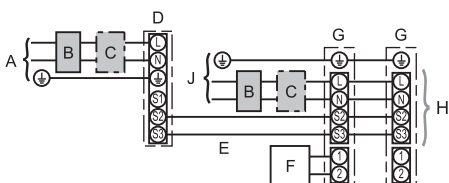


- A Strømforsyning til udendørsenhed
- B Jordet lækageafbryder
- C Ledningsafbryder eller ledningsadskiller
- D Udendørsenhed
- E Tilslutningsledninger til indendørsenhed/udendørsenhed
- F Fjernbetjening
- G Indendørsenhed
- H Ekstraustyr
- J Strømforsyning til indendørsenhed

* Påsæt en mærkat B, som følger med manualerne, i nærheden af hvert ledningsdiagram for indendørs- og udendørsenhederne.

Samtidigt dobbelt system

* Der kræves klemmesæt til indendørs strømforsyning.



- A Strømforsyning til udendørsenhed
- B Jordet lækageafbryder
- C Ledningsafbryder eller ledningsadskiller
- D Udendørsenhed
- E Tilslutningsledninger til indendørsenhed/udendørsenhed
- F Fjernbetjening
- G Indendørsenhed
- H Ekstraustyr
- J Strømforsyning til indendørsenhed

* Påsæt en mærkat B, som følger med manualerne, i nærheden af hvert ledningsdiagram for indendørs- og udendørsenhederne.

Bemærk:

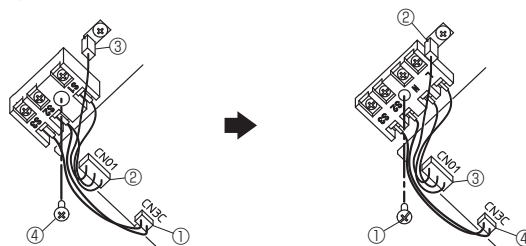
Nogle enheder kan ikke anvendes i et samtidigt dobbelt system. Se installationsvejledningen til udendørsenheden for at få flere oplysninger.

Se tabellen nedenfor, hvis indendørs- og udendørsenhederne har separate strømforsyninger. Hvis klemmesættet til indendørs strømforsyning anvendes, skal ledningsføringen til udendørsenhedens elboks ændres i henhold til figuren til højre og DIPkontaktindstillingerne på udendørsenhedens styretavle.

Klemmesæt til indendørs strømforsyning (ekstraustyr)	Påkrævet								
Tilslutningsændring til forbindelsesklemme i indendørsenhedens eldåse	Påkrævet								
Mærkat påsat i nærheden af hvert ledningsdiagram for indendørs- og udendørsenhederne.	Påkrævet								
Udendørsenhedens DIP-omskifterindstillinger (kun ved anvendelse af separate strømforsyninger for indendørs og udendørsenhederne)	<table border="1" style="margin-left: auto; margin-right: auto;"> <tr> <td>ON</td> <td></td> <td></td> <td style="border: 2px solid black;">3</td> </tr> <tr> <td>OFF</td> <td>1</td> <td>2</td> <td></td> </tr> </table> (SW8) Indstil SW8-3 til ON.	ON			3	OFF	1	2	
ON			3						
OFF	1	2							

* Der er tre typer mærkater (A, B og C). Påsæt de relevante mærkater på enhederne i henhold til ledningsføringemetoden.

<Udskiftning af indendørsenhedens klemmerække>



- ① Frakobl forbindelse CN3C (blå) fra indendørsenhedens kontrolkort.
- ② Frakobl forbindelse CN01 (sort) fra indendørsenhedens kontrolkort.
- ③ Frakobl kabelklemmen.
- ④ Fjern skruen fra klemmerækken.

Installer det valgfri strømforsyningsklemmesæt. Se installationsvejledningen, der følger med det valgfri strømforsyningsklemmesæt, for at få flere oplysninger.

- ① Fastgør klemmerækken med skruen.
- ② Indsæt kabelklemmen.
- ③ Tilslut forbindelse CN01 (sort) til indendørsenhedens kontrolkort.
- ④ Tilslut forbindelse CN3C (blå) til indendørsenhedens kontrolkort.

Model, indendørs enhed	PLA		
Strømforsyning, indendørs enhed	~N (Enkelt), 50 Hz, 230 V		
Indendørs enhed, forsyningskapacitet	*1	16 A	
Ledningsføring nr. x størrelse (mm ²)	Strømforsyning, indendørs enhed & jordforbindelse	3 x Min. 1,5	
	Indendørs enhed-Udendørs enhed	2 x Min. 0,3	
	Indendørs/udendørs enhed, jordforbindelse	–	
	Fjernbetjening-indendørs enhed	*3	2 x 0,3 (Ikke-polær)
Krævs-løbskapa-pacitet	Indendørs enhed L-N	*4	230 VAC
	Indendørs enhed-Udendørs enhed S1-S2	*4	–
	Indendørs enhed-Udendørs enhed S2-S3	*4	24 VDC
	Fjernbetjening-indendørs enhed	*4	12 VDC

*1. Brug en jordafledningsafbryder (NV) med en kontaktadskillelse på mindst 3,0 mm på hver pol.

Afbryderen skal installeres for at sikre afbrydelse af alle aktive faseledere i strømforsyningen.

*2. Maks. 120 m

*3. Maks. 500 m

(Når der bruges til fjernbetjening, må ledningslængden på fjernbetjeningskablerne maksimalt være 200 m).

*4. Tallene er IKKE altid i forhold til jorden.

Bemærkninger:

1. Ledningsdimensioner skal være i overensstemmelse med gældende lokale og nationale normer.
2. Ledningerne mellem strømforsyningen og indendørs-/udendørsenheden må ikke være lettere end kappebeklædte, bøjelige polychloprænledninger (60245 IEC 57).
3. Installer et jordkabel, der er længere end andre kabler.
4. Fjernbetjeningskablets ledningsføring skal ske på afstand (5 cm eller mere) fra strømkildens ledningsføring, så den ikke påvirkes af elektrisk interferens fra strømkildens ledningsføring.

⚠ Advarsel:

Sammensplejs aldrig netkablet eller kablet til indendørs-udendørs-forbindelsen, da dette kan medføre røgudvikling, brand eller kommunikationsfejl.

6. Elektrisk arbejde

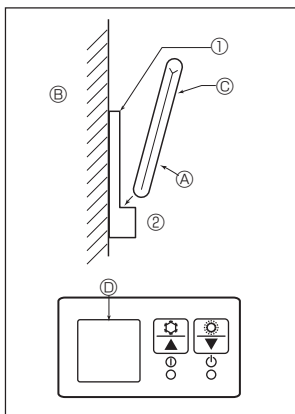


Fig. 6-7

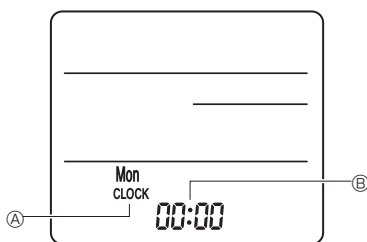


Fig. 6-8

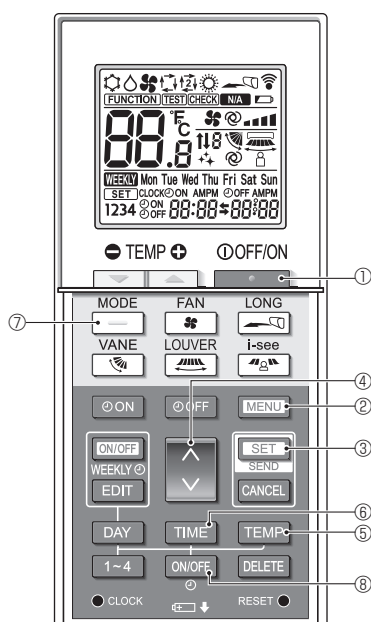


Fig. 6-9

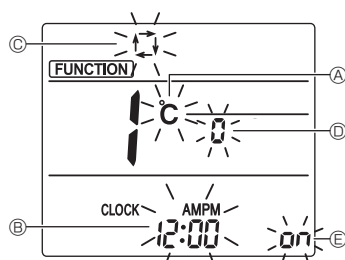


Fig. 6-10

6.2. Fjernstyring

6.2.1. Til ledningsbetjent fjernbetjening

1) Indstilling for to fjernbetjeninger

Hvis to fjernbetjeninger er forbundet, skal den ene indstilles til "Main" og den anden til "Sub". Se afsnittet om funktionsindstilling for fjernbetjeningen i indendørsenhedens betjeningsmanual.

6.2.2. For trådløs fjernbetjening

1) Installationsområde

- Et område, hvor fjernbetjeningen ikke udsættes for direkte sol.
- Et område uden en varmekilde i nærheden.
- Et område, hvor fjernbetjeningen ikke udsættes for kold (eller varm) vind.
- Et område, hvor det er nemt at betjene fjernbetjeningen.
- Et område, hvor fjernbetjeningen er uden for børns rækkevidde.

2) Installationsmetode (Fig. 6-7)

① Monter holderen til fjernbetjeningen på det ønskede sted vha. 2 pladeskruer.

② Sæt den nederste ende af fjernbetjeningen i holderen.

A Fjernbetjening B Væg C Displaypanel D Modtager

- Signalet kan række op til ca. 7 m (i en lige linje) inden for 45 grader til både højre og venstre for modtagerens midterlinje.

3) Indstilling (indstilling af ur) (Fig. 6-8)

① Sæt batterier i, eller tryk på ●_{CLOCK}-knappen med en spids genstand.

[CLOCK] A og [:] B blinker.

② Tryk på _{RESET} ●-knappen med en spids genstand.

③ Tryk på _↑ -knappen for at indstille tiden.

Tryk på _{DAY} -knappen for at indstille dagen.

④ Tryk på ●_{CLOCK}-knappen med en spids genstand.

[CLOCK] og [:] lyser.

4) Startindstilling

Følgende indstillinger kan udføres i startindstillingstilstanden.

Element	Konfiguration	Fig. 6-10
Temperaturenhed	°C/°F	A
Tidsvisning	12-timers format/24-timers format	B
AUTO-tilstand	Enkelt indstillingspunkt/to indstillingspunkter	C
Parnummer	0-3	D
Baggrundsbelysning	On/Off	E

4-1. Skift til startindstillingstilstanden

1. Tryk på ●-knappen ① for at stoppe klimaanlægget.

2. Tryk på _{MENU} -knappen ②.

Skærmen til funktionsindstilling vises, og funktionsnr. A blinker. (Fig. 6-9)

Tryk på _↓ -knappen ④ for at ændre funktionsnr.

3. Kontrollér, at funktionsnr. "1" vises, og tryk derefter på _{SET} -knappen ③.

Skærmen til visningsindstilling vises. (Fig. 6-10)

4-2. Ændring af temperaturenheden A

Tryk på _{TEMP} -knappen ⑤.

Hver gang der trykkes på _{TEMP} -knappen ⑤, skifter indstillingen mellem °C og °F.

°C : Temperaturen vises i grader Celsius.

°F : Temperaturen vises i grader Fahrenheit.

4-3. Ændring af tidsvisningen B

Tryk på _{TIME} -knappen ⑥.

Hver gang der trykkes på _{TIME} -knappen ⑥, skifter indstillingen mellem ^{AMPM} 12:00 og ^{AMPM} 24:00.

^{AMPM} 12:00 : Tiden vises i 12-timers format.

^{AMPM} 24:00 : Tiden vises i 24-timers format.

4-4. Ændring af AUTO-tilstanden C

Tryk på _— -knappen ⑦.

Hver gang der trykkes på _— -knappen ⑦, skifter indstillingen mellem og .

: AUTO-tilstanden fungerer som den normale automatiske tilstand.

: AUTO-tilstanden fungerer med to indstillingspunkter.

4-5. Ændring af parnummeret D

Tryk på _↑ -knappen ④.

Hver gang der trykkes på _↑ -knappen ④, skifter parnummeret 0-3.

Parnr. for trådløs fjernbetjening	Indendørs printplade
0	Standardindstilling
1	Klip J41
2	Klip J42
3	Klip J41, J42

4-6. Ændring af indstillingen for baggrundsbelysning E

Tryk på _{ON/OFF} -knappen ⑧.

Hver gang der trykkes på _{ON/OFF} -knappen ⑧, skifter indstillingen mellem og .

: Baggrundsbelysningen tændes, når der trykkes på en knap.

: Baggrundsbelysningen tændes ikke, når der trykkes på en knap.

6. Elektrisk arbejde

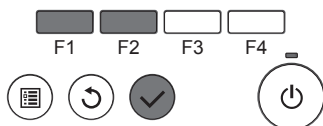
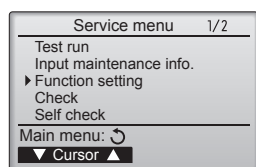


Fig. 6-11

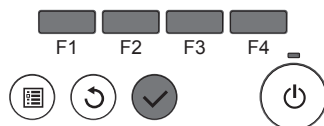
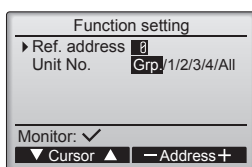


Fig. 6-12

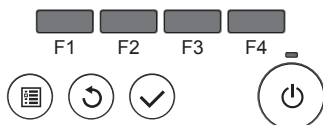
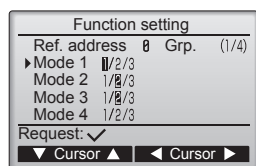


Fig. 6-13

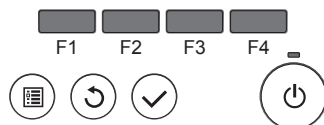
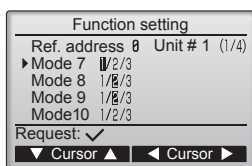


Fig. 6-14

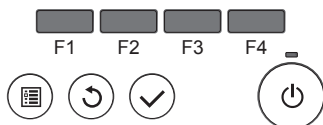
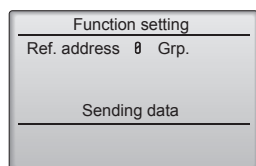


Fig. 6-15

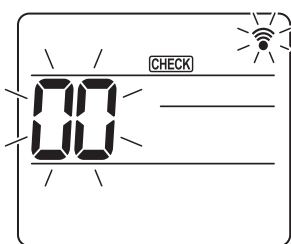


Fig. 6-16

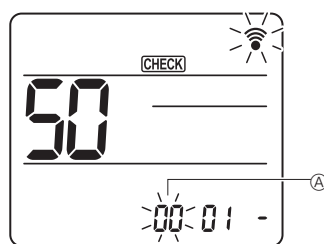


Fig. 6-17

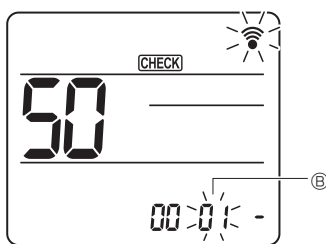


Fig. 6-18

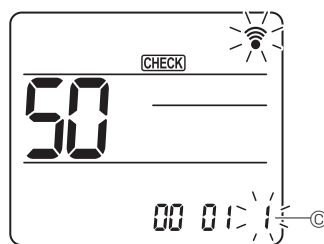


Fig. 6-19

6.3. Funktionsindstillinger

6.3.1. Med ledningsforbundet fjernbetjening

- ① (Fig. 6-11)
 - Vælg "Service" fra Main menu (hovedmenuen), og tryk på knappen [VÆLG].
 - Vælg "Function settings" (funktionsindstillinger) med knappen [F1] eller [F2], og tryk på knappen [VÆLG].
- ② (Fig. 6-12)
 - Indstil indendørsenhedens kølemiddeladresser og enhedsnumre med knapperne [F1] til [F4], og tryk derefter på knappen [VÆLG] for at bekræfte den aktuelle indstilling.

<Kontrol af indendørsenhedsnr.>

Når der trykkes på knappen [VÆLG], starter ventilatoren for destinationsindendørsenheden. Hvis enheden er almindelig, eller hvis alle enheder kører, vil ventilatoren starte for alle indendørsenheder for den valgte kølemiddeladresse.

- ③ (Fig. 6-13)
 - Når dataindsamlingen fra indendørsenheden er fuldført, fremhæves de aktuelle indstillinger. Elementer, der ikke er fremhævet, angiver, at der ikke er foretaget nogen funktionsindstillinger. Skærbilledets udseende varierer afhængigt af indstillingen "Unit No."
- ④ (Fig. 6-14)
 - Brug [F1] eller [F2] til at flytte markøren for at fælg tilstandsnummeret, og skift indstillingsnummeret med [F3] eller [F4].
- ⑤ (Fig. 6-15)
 - Når indstillingerne er fuldført, skal du trykke på knappen [VÆLG] for at sende indstillingsdataene fra fjernbetjeningen til indendørsenhederne.
 - Når transmissionen er gennemført, vender skærmen tilbage til skærbilledet Function setting.

6.3.2. Med den trådløse fjernbetjening

- ① Gå til funktionsvalgstilstanden
 - Tryk på [MENU]-knappen inden for 5 sekunder.
 - (Start denne funktion, mens fjernbetjeningens display er slukket).
 - [CHECK] lyser, og "00" blinker. (Fig. 6-16)
 - Tryk på [SET]-knappen for at indstille "50".
 - Ret den trådløse fjernbetjening mod modtageren på indendørsenheden, og tryk på [SET]-knappen.
- ② Indstilling af enhedsnummer
 - Tryk på [SET]-knappen for at indstille enhedsnummeret ②. (Fig. 6-17)
 - Ret den trådløse fjernbetjening mod modtageren på indendørsenheden, og tryk på [SET]-knappen.
- ③ Vælg en tilstand
 - Tryk på [SET]-knappen for at indstille funktionsnummeret ③. (Fig. 6-18)
 - Ret den trådløse fjernbetjening mod modtageren på indendørsenheden, og tryk på [SET]-knappen.
 - Aktuelt indstillingsnummer:
 - 1=1 bip (1 sekund)
 - 2=2 bip (1 sekund hver)
 - 3=3 bip (1 sekund hver)
- ④ Indstilling af indstillingsnummer
 - Brug [DOWN]-knappen til at ændre indstillingsnummeret ④. (Fig. 6-19)
 - Ret den trådløse fjernbetjening mod modtageren på indendørsenheden, og tryk på [SET]-knappen.
- ⑤ Valg af flere funktioner samtidigt
 - Vælg igen ③ og ④ for at ændre flere funktionsindstillinger kontinuerligt.
- ⑥ Afslut valg af funktion
 - Ret den trådløse fjernbetjening mod sensoren på indendørsenheden, og tryk på [OFF/ON]-knappen.

Bemærk:

Foretag ovenstående indstillinger på Mr. Slim-enheder efter behov.

- Tabel 1 indeholder en oversigt over indstillingsmulighederne for hvert tilstandsnummer.
- Husk at skrive indstillingerne for alle funktioner ned, hvis du ændrer standardindstillinger efter udført installationsarbejde.

6. Elektrisk arbejde

Funktionsskema (Skema 1)

Vælg enhed nummer 00

Funktion	Indstillinger	Funktions-nummer	Indstillings-nummer	Startindstilling	Indstilling
Automatisk gendannelse ved strømsvigt	Ikke mulig	01	1		
	Mulig *1		2	O *2	
Føling af indendørs temperatur	Indendørsenhedens driftsgennemsnit	02	1	O	
	Indstil ved indendørs fjernstyring		2		
	Fjernstyringens interne føler		3		
LOSSNAY konnektivitet	Ikke understøttet	03	1	O	
	Understøttet (indendørs enhed er ikke udstyret med indtag for udeluft)		2		
	Understøttet (indendørs enhed er udstyret med indtag for udeluft)		3		
Strømforsyningsspænding	240 V	04	1		
	220 V, 230 V		2	O	

Vælg enhedsnumre 01 til 03 eller alle enheder (AL [kabelbetjent fjernbetjening] / 07 [trådløs fjernbetjening])

Funktion	Indstillinger	Funktions-nummer	Indstillings-nummer	Startindstilling	Indstilling
Filtertegn	100 timer	07	1		
	2500 timer		2	O	
	Ingen filterindikator		3		
Ventilatorhastighed	Stille (lavt loft)	08	1		
	Standard		2	O	
	Højloftet		3		
Antal udblæsningsåbninger	4 åbninger	09	1	O	
	3 åbninger		2		
	2 åbninger		3		
Installerede funktioner (højeffektivitetsfilter)	Ikke understøttet	10	1	O	
	Understøttet		2		
Lamelindstilling op/ned	Nedadgående indstilling (Indstilling af bladvinkel ③)	11	1		
	Midterindstilling (Indstilling af bladvinkel ①)		2		
	Trækløs indstilling (Indstilling af bladvinkel ②)		3	O	
Ventilatorhastighed under køletermostat er slukket	Indstilling af ventilatorhastighed	27	1		
	Stop		2		
	Meget lav		3	O	

*1 Når strømforsyningen vender tilbage, starter klimaanlægget efter 3 minutter.

*2 Startindstillingen for automatisk gendannelse ved strømsvigt afhænger af den forbundne udendørsenhed.

7. Afprøvning

7.1. Før afprøvning

- ▶ Efter installation, ledningsføring og rørføring af indendørs og udendørs enheder er afsluttet, kontroller da for udsivning af kølemiddel, om ledningsføring til strømforsyning eller styring er løs og for fejlagtig polaritet, samt at der ikke er afbrydelse af én fase i strømforsyningen.
- ▶ Brug et 500-Volts megaohmmeter for at kontrollere at modstanden mellem strømforsyningsklemmerne og jordforbindelsen er mindst 1,0 MΩ.

▶ Udfør ikke denne test på styreledningsføringens (lavspændingskredsløb) klemmer.

⚠ Advarsel:

Brug ikke aircondition-enheden, hvis isoleringsmaterialets modstand er mindre end 1,0 MΩ.

7.2. Afprøvning

7.2.1. Med ledningsforbundet fjernbetjening

- Sørg for at læse betjeningsvejledningen inden testkørslen. (Især sikkerhedsrelaterede emner)

Trin 1 Tænd for strømmen.

- Fjernkontrol: Systemet går i opstarttilstand, og fjernkontrollens strømlampe (grøn) og "PLEASE WAIT" (vent) blinker. Fjernkontrollen kan ikke betjenes, mens lampen og beskeden blinker. Vent, indtil "PLEASE WAIT" (vent) ikke længere vises, inden du betjener fjernkontrollen. Når du har tændt for strømmen, vises "PLEASE WAIT" (vent) i ca. 2 minutter.
- Kontrolkort på indendørsenhed: LED 1 lyser, LED 2 lyser (hvis adressen er 0) eller slukkes (hvis adressen ikke er 0), og LED 3 blinker.
- Kontrolkort på udendørsenhed: LED 1 (grøn) og LED 2 (rød) lyser. (Når systemets opstarttilstand er gennemført, slukkes LED 2). Hvis kontrolkortet på udendørsenheden bruger et digitaldisplay, vises [-] og [-] skiftevis hvert sekund. Hvis funktionerne ikke fungerer korrekt, efter at procedurene i trin 2 og derefter er blevet udført, skal følgende årsager overvejes og udelukkes, hvis de forefindes. (Symptomerne nedenfor indtræffer under testkørselstilstanden. "Startup" (opstart) i tabellen henviser til LED-displayet ovenfor).

Symptomer i testkørselstilstand		Årsag
Fjernkontroldisplay	KORT PÅ UDENDØRSENHED – LED-display < > indikerer digitaldisplay.	
Fjernkontrollen viser "PLEASE WAIT" (vent) og kan ikke betjenes.	Efter at "startup" (opstart) vises, lyser kun grøn. <00>	• Når strømmen er slået til, vises "PLEASE WAIT" (vent) i 2 minutter under opstart af systemet. (Normal)
Efter at strømmen tændes, vises "PLEASE WAIT" (vent) i 3 minutter, hvorefter fejlkoden vises.	Efter at "startup" (opstart) vises, blinker grøn (én gang) og rød (én gang) skiftevis. <F1> Efter at "startup" (opstart) vises, blinker grøn (én gang) og rød (to gange) skiftevis. <F3, F5, F9>	• Forkert forbindelse til udendørs forbindelsesklemme (R, S, T og S ₁ , S ₂ , S ₃). • Stikket til udendørsenhedens beskyttelsesanordning er åbent.
Intet display vises, når fjernkontrollen tændes. (Driftslampen lyser ikke).	Efter at "startup" (opstart) vises, blinker grøn (to gange) og rød (én gang) skiftevis. <EA, Eb> Efter at "startup" (opstart) vises, lyser kun grøn. <00>	• Ukorrekt forbindelse mellem indendørs- og udendørsenhederne (ukorrekt polaritet for S ₁ , S ₂ , S ₃). • Fjernkontrollens transmissionsledning er for kort. • Der er ingen udendørsenhed med adressen 0. (Adressen er en anden end 0). • Fjernkontrollens transmissionsledning er åben.
Displayet vises, men forsvinder hurtigt, også selvom fjernkontrollen betjenes.	Efter at "startup" (opstart) vises, lyser kun grøn. <00>	• Efter annullering af funktionsvalg er betjening ikke mulig i ca. 30 sekunder. (Normal)

Trin 2 Slå fjernkontrollen over på "Test run" (testkørsel).

- 1 Vælg "Test run" (testkørsel) fra Service menu (servicemenu), og tryk på knappen [VÆLG]. (Fig. 7-1)
- 2 Vælg "Test run" (testkørsel) fra Test run menu (testkørselsmenu), og tryk på knappen [VÆLG]. (Fig. 7-2)
- 3 Testkørslen starter, og skærmen Test run (testkørsel) vises.

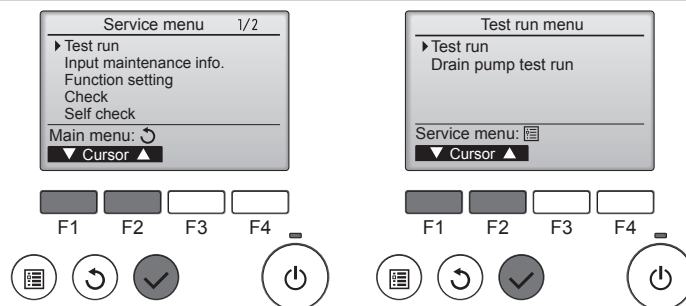


Fig. 7-1

Fig. 7-2

Trin 3 Udfør testkørslen, og kontrollér luftstrømningstemperaturen og autovingen.

- 1 Tryk på knappen [F1] for at ændre driftstilstand. (Fig. 7-3)
Afkølingsstilstand: Kontrollér, at der blæser kølig luft fra enheden.
Opvarmningstilstand: Kontrollér, at der blæser varm luft fra enheden.
- 2 Tryk på knappen [VÆLG] for at få vist driftsskærmen Vane (vingedrift), og tryk derefter på knapperne [F1] og [F2] for at kontrollere autovingen. (Fig. 7-4)
Tryk på knappen [TILBAGE] for at vende tilbage til skærmen Test run (testkørsel).

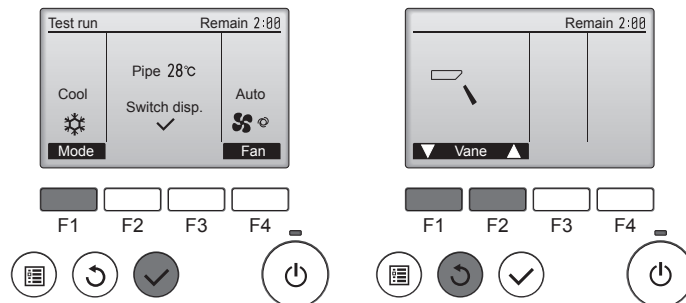


Fig. 7-3

Fig. 7-4

7. Afprøvning

Trin 4 Bekræft, at udendørsenhedens ventilator virker.

Hastigheden for udendørsenhedens ventilator kontrolleres, så enhedens ydelse kan kontrolleres. Afhængig af den omgivende luft, drejer ventilatoren ved lav hastighed og vil fortsætte med at dreje ved denne hastighed, medmindre ydelsen er utilstrækkelig. Vind udenfor kan derfor få ventilatoren til at holde op med at dreje eller dreje i den modsatte retning, men det er ikke et problem.

Trin 5 Stop testkørslen.

① Tryk på knappen [TÆND/SLUK] for at stoppe testkørslen. (Test run menu (testkørselsmenu) vises).
Bemærk: Hvis der vises en fejl på fjernkontrollen, skal du se tabellen nedenfor.

LCD	Beskrivelse af funktionsfejl	LCD	Beskrivelse af funktionsfejl	LCD	Beskrivelse af funktionsfejl
P1	Fejl i ind sugningsføler	P9	Fejl i rørføler (rør med dobbeltvæg)	E0 – E5	Kommunikationsfejl mellem fjernkontrol og indendørsenhed
P2	Fejl i rørføler (væskerør)	PA	Lækagefejl (kølesystem)		
P4	Drænsvømmerafbryder afbrudt (CN4F)	Pb	Fejl i indendørsenhedens ventilatormotor		
		PL	Unormalt kølemiddelkredsløb		
P5	Sikkerhedsforanstaltning mod drænoverløb	FB	Fejl i kontrolkort på indendørsenhed	E6 – EF	Kommunikationsfejl mellem indendørs- og udendørsenhed
P6	Sikkerhedsforanstaltning mod frost/overophedning	U*, F* (* indikerer et alfanumerisk tegn med undtagelse af FB).	Funktionsfejl i udendørsenhed. Se udendørsenhedens ledningsdiagram.		
P8	Fejl i rørtemperatur				

Se tabellen nedenfor for at få oplysninger vedrørende LED-displayet (LED 1, 2 og 3) på kontrolkortet til indendørsenheden.

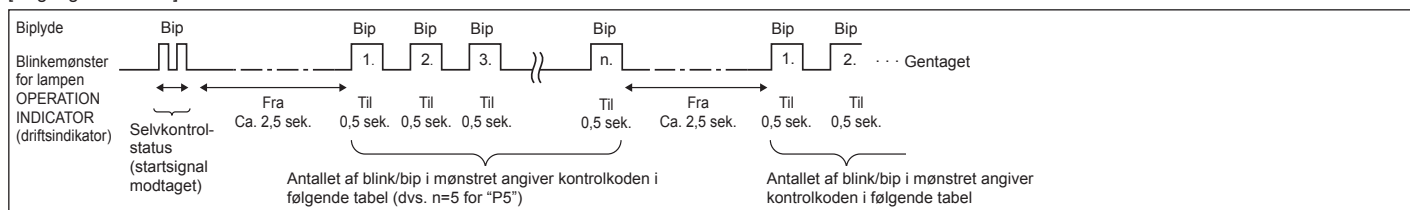
LED 1 (strømforsyning til mikrocomputer)	Indikerer, om der tilføres styrestrøm. Kontrollér, at denne LED-lampe altid er tændt.
LED 2 (strømforsyning til fjernkontrol)	Indikerer, om den ledningsbetjente fjernkontrol tilføres strøm. LED-lampen lyser kun for den indendørsenhed, der er forbundet til den udendørsenhed, der har adressen "0".
LED 3 (kommunikation mellem indendørs- og udendørsenhed)	Indikerer, om indendørs- og udendørsenheden kommunikerer. Kontrollér, at denne LED-lampe altid blinker.

7.3. Selvcheck

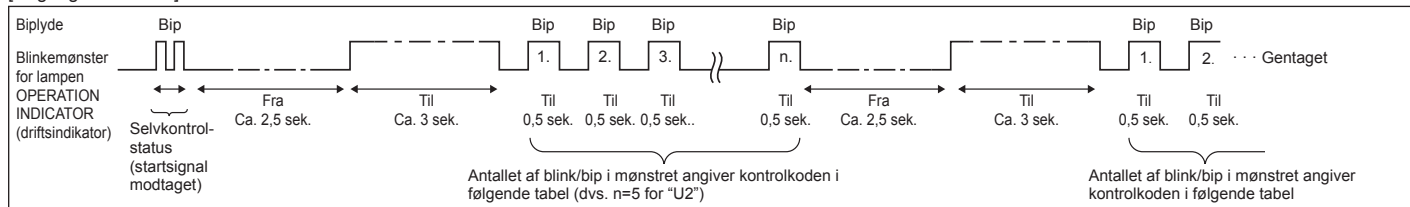
■ Se installationsvejledningen, der medfølger hver fjernkontrol, for at få flere oplysninger.

• Se følgende tabeller for at få oplysninger om kontrolkoder. (Trådløs fjernstyring)

[Udgangsmønster A]



[Udgangsmønster B]



7. Afprøvning

[Udgangsmønster A] Fejl registreret af indendørsenhed

Trådløs fjernstyring	Ledningsbetjent fjernbetjening	Symptom	Bemærkning
Biplyde/lampen OPERATION INDICATOR (driftsindikator) blinker (antal gange)	Kontrolkode		
1	P1	Fejl i indsugningsføler	
2	P2	Fejl i rørføler (TH2)	
	P9	Fejl i rørføler (TH5)	
3	E6, E7	Kommunikationsfejl i indendørs-/udendørsenhed	
4	P4	Fejl i drænføler/Svømmerafbryder åben	
5	P5	Fejl i drænpumpe	
	PA	Fremtvungen kompressorfejl	
6	P6	Sikkerhedsforanstaltning mod frost/overophedning	
7	EE	Kommunikationsfejl mellem indendørs- og udendørsenhed	
8	P8	Fejl i rørtemperatur	
9	E4	Fejl i modtagelse af fjernbetjeningens signal	
10	—	—	
11	Pb	Fejl i indendørsenhedens ventilatormotor	
12	Fb	Fejl i indendørsenhedens kontrolsystem (hukommelsesfejl osv.)	
14	PL	Unormalt kølemiddelkredsløb	
Ingen lyd	E0, E3	Transmissionsfejl, fjernbetjening	
Ingen lyd	E1, E2	Styrekortsfejl, fjernbetjening	
Ingen lyd	— — — —	Ingen overensstemmelse	

[Udgangsmønster B] Fejl registreret af anden enhed end indendørsenheden (udendørsenhed osv.)

Trådløs fjernstyring	Ledningsbetjent fjernbetjening	Symptom	Bemærkning
Biplyde/lampen OPERATION INDICATOR (driftsindikator) blinker (antal gange)	Kontrolkode		
1	E9	Kommunikationsfejl i indendørs-/udendørsenhed (overførselsfejl) (udendørsenhed)	Kontroller lysdioderne på udendørs hovedtavlen for at få yderligere oplysninger.
2	UP	Afbrydelse af overstrøm i kompressor	
3	U3, U4	Afbrydelse/kortslutning i udendørsenhedens termistorer	
4	UF	Afbrydelse af overstrøm i kompressor (når kompressor er låst)	
5	U2	Unormalt høj udsugningstemperatur/49C aktiveret/utilstrækkeligt med kølemiddel	
6	U1, Ud	Unormalt højt tryk (63H aktiveret)/Sikkerhedsforanstaltning mod overophedning	
7	U5	Unormal temperatur i kølelegeme	
8	U8	Sikkerhedsstop i udendørsenhedens ventilator	
9	U6	Afbrydelse af overstrøm i kompressor/Anomali i strømmodul	
10	U7	Unormal overophedning grundet lav udsugningstemperatur	
11	U9, UH	Anomali såsom overspænding eller mangel på spænding og unormalt synkronsignal til hovedstrømkreds/Fejl i strømføler	
12	—	—	
13	—	—	
14	Andet	Andre fejl (Se den tekniske manual til udendørsenheden.)	

*1 Hvis bipperen ikke lyder igen efter de to første bip, der bekræfter, at startsignalet for selvkontrol er modtaget, og lampen OPERATION INDICATOR (driftsindikator) ikke tændes, er der ikke registreret nogen fejl.

*2 Hvis bipperen lyder tre gange efter hinanden "bip, bip, bip (0,4 + 0,4 + 0,4 sek.)" efter de to første bip, der bekræfter, at startsignalet for selvkontrol er modtaget, er den angivne kølemiddeladresse forkert.

- På den trådløse fjernbetjening
Brummen lyder fra indendørsenhedens modtagedel.
Driftslampen blinker.
- På den ledningsbetjente fjernbetjening
Kontrollér koden, der vises i LCD-displayet.

7. Afprøvning

- Hvis enheden ikke kan betjenes korrekt efter den ovenfor beskrevne testkørsel, skal nedenstående skema bruges til fejlfinding.

Symptom		Årsag	
Ledningsbetjent fjernbetjening	LED 1, 2 (PCB i udendørsenhed)		
PLEASE WAIT	I ca. 2 minutter, efter at enheden er blevet tændt	Når LED 1 og 2 begynder at lyse, slukkes LED 2, så kun LED 1 lyser. (korrekt drift).	• I ca. 2 minutter, efter at der er blevet tændt for enheden, er betjening med fjernbetjeningen ikke mulig pga. enhedens opstart (korrekt drift).
PLEASE WAIT → Fejlkode	Når der er gået ca. 2 minutter, at efter enheden er blevet tændt	Kun LED 1 lyser. → LED 1 og 2 blinker.	• Stikket til udendørsenhedens beskyttelsesanordning er ikke tilsluttet. Omvendt- eller åben faseforbindelse til udendørsenhedens klemrække (L1, L2, L3).
Displaymeddelelser vises ikke, selv når der er tændt for enheden (driftslampen lyser ikke).		Kun LED 1 lyser. → LED 1 blinker to gange, LED 2 blinker én gang.	• Ukorrekt forbindelse mellem inden- og udendørsenhederne (ukorrekt polaritet for S1, S2, S3). • Fjernbetjeningens ledning er for kort.

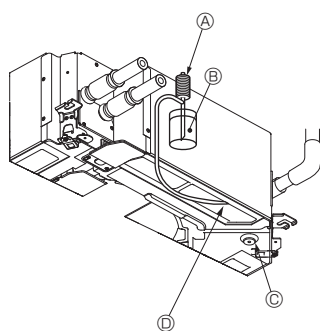
Pga. de ovenstående forhold sker følgende:

- Der modtages intet signal fra fjernbetjeningen.
- OPERATION-indikatoren blinker.
- Brummen kommer med en kort biplud.

Bemærk:

Betjening er ikke mulig i ca. 30 sekunder efter annullering af funktionsvalg (korrekt drift).

Se side 167 for at få en beskrivelse af hver LED (LED 1, 2, 3) på indendørskontrolenheden.



- Ⓐ Vandforsyningspumpe
- Ⓑ Vand (cirka 1000 ml)
- Ⓒ Drænprop
- Ⓓ Hæld vand igennem udløbet
- Vær forsigtig med ikke at sprøjte vand ind i drænpumpens mekanisme.

Fig. 7-5

7.4. Kontrollér at der drænes korrekt (Fig. 7-5)

- Kontrollér at vandet drænes korrekt ud, og at der ikke lækker vand fra led og samlinger. Når el-arbejdet er færdiggjort

Når el-arbejdet er færdiggjort

- Hæld vand på, mens apparatet kører på køling under afprøvningen (se 7.2.), og kontrollér.

Når el-arbejdet ikke er færdiggjort.

- Hæld vand på mens apparatet kører på nøddrift, og kontrollér.

* Drænbakke og ventilator aktiveres samtidigt, når der tændes for enkeltfase 220-240 V til S1 og S2 på klemrækken, efter at afbryderen (SWE) på kontrolkortet i boksen med elektriske komponenter er sat til ON.

Sørg for at sætte den tilbage til den foregående indstilling efter arbejdet.

8. Systemkontrol

Se installationsvejledningen til udendørs enheden.

9. Montering af gitteret

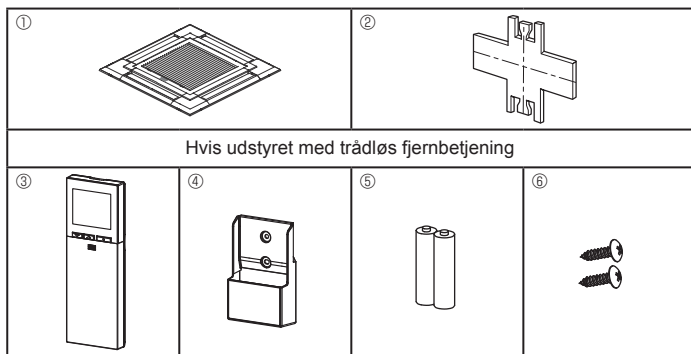


Fig. 9-1

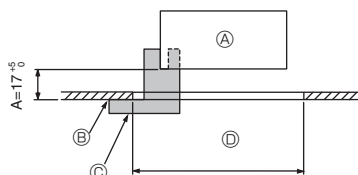


Fig. 9-2

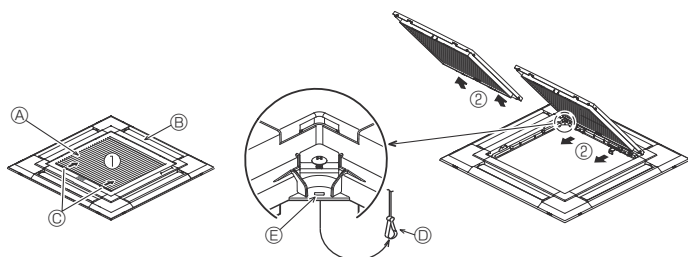


Fig. 9-3

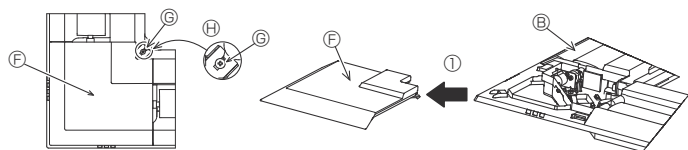


Fig. 9-4

	4-vejs	3-vejs
Mønstre for udblæsning-sretning	1 mønster: fabriksindstilling 	4 mønstre: 1 luftafgang helt lukket

	2-vejs
Mønstre for udblæsning-sretning	6 mønstre: 2 luftafgange helt lukket

Skema 1

<Krogen er i hævet position>

<Krogen er i sænket position>



Fig. 9-5

9.1. Kontrol af indholdet (Fig. 9-1)

- Dette sæt indeholder manualen og de følgende dele.

	Tilbehørsdelens navn	Kvantum	Bemærkning
①	Gitter	1	950 × 950 (mm)
②	Installationsmåler	1	(delt i fire)
③	Trådløs fjernbetjening	1	til PLP-6EALM
④	Holder til fjernbetjening	1	Medfølger hvis udstyret med trådløs fjernbetjening.
⑤	LR6 AA-batterier	2	Medfølger hvis udstyret med trådløs fjernbetjening.
⑥	3,5 × 16 pladeskruer	2	Medfølger hvis udstyret med trådløs fjernbetjening.

9.2. Forberedelser til fastgørelse af gitteret (Fig. 9-2)

- Juster og kontrollér placeringen af hovedenheden i forhold til loftsfladen med måler ②, der følger med dette sæt. Hvis hovedenheden ikke placeres korrekt i forhold til loftsfladen, kan der opstå luftlækager eller kondensdannelse.
- Kontroller at åbningen i loftet er inden for følgende maks. mål: 860 × 860 - 910 × 910
- Kontroller at trin A udføres inden for 17-22 mm. Hvis dette område ikke overholdes, kan det medføre beskadigelse.
 - ① Hovedenhed
 - ② Loftsflade
 - ③ Installationsmåler ② (sat ind i hovedenheden)
 - ④ Loftåbningens dimensioner

9.2.1. Afmontering af indtagsgitteret (Fig. 9-3)

- Skub håndtagene i retningen angivet af pilen ① for at åbne indtagsgitteret.
- Løft den krog, der sikrer gitteret, af.
 - * Løft ikke indtagsgitterets krog af.
- Med indtagsgitteret i "åben" position fjernes indtagsgitterets hængsel fra gitteret som vist med pilen ②.

9.2.2. Afmontering af hjørnepanelet (Fig. 9-4)

- Løsn de ④ skruer på hjørnet. Skub hjørnepanelet i retning af pil ① i illustrationen, og fjern hjørnepanelet.

[Fig. 9-3] [Fig. 9-4]

- ① Indtagsgitter
- ② Gitter ①
- ③ Indtagsgitterets håndtag
- ④ Gitterkrog
- ⑤ Hul til gitterkrogen
- ⑥ Hjørnepanel
- ⑦ Skruer
- ⑧ Detalje

9.3. Valg af udblæsningsluft

Med dette gitter er der 11 forskellige udblæsningsretninger. Ved at bruge de relevante indstillinger på fjernbetjeningen kan luftstrøm og hastighed justeres. Vælg de ønskede indstillinger fra Skema 1, alt efter hvor enheden skal installeres. (Der skal vælges mere end to retninger.)

- 1) Vælg udblæsningsretning.
- 2) Husk at indstille fjernbetjeningen korrekt i henhold til antallet af luftudgange og højden af det loft, hovedenheden skal installeres på. (Se side 165)

Bemærk:

- Ved ændring af antallet af retninger skal du bruge en udblæsningsåbningsklap, der er ekstraudstyr.
- Vælg ikke 2 retninger i varme og fugtige omgivelser (det kan medføre kondensdannelse eller kondensdråber).

9.4. Montering af gitteret

9.4.1. Forberedelser (Fig. 9-5)

- Husk at vippe 2 kroge på gitteret op.

9. Montering af gitteret

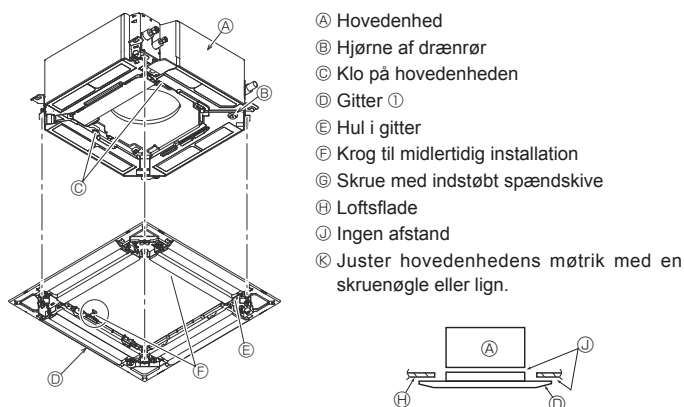


Fig. 9-6

< Gitteret er midlertidigt installeret >

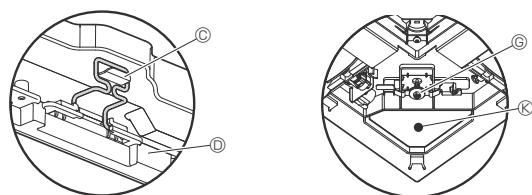


Fig. 9-7

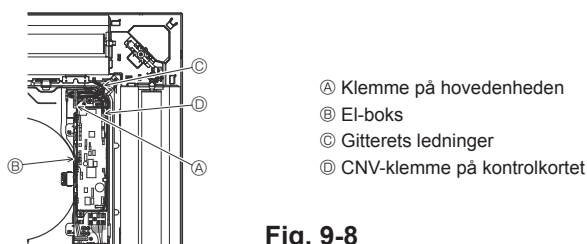


Fig. 9-8

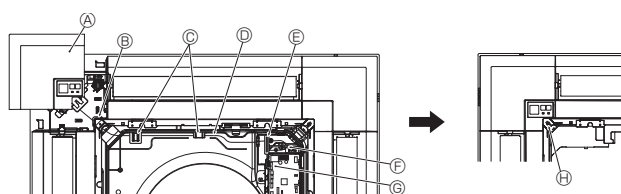


Fig. 9-9

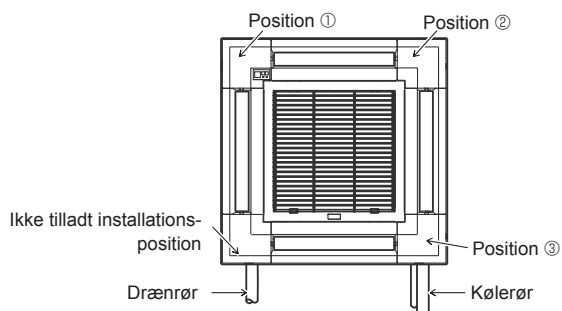


Fig. 9-10

9.4.2. Midlertidig installation af gitteret (Fig. 9-6)

- Forbind hjørnet af drænrøret på hovedenheden med hjørnet af hullet i gitteret, og sæt dem midlertidigt sammen ved at hænge krogen på gitteret i hovedenhedens klo.

9.4.3. Fastgørelse af gitteret

- Fastgør gitteret på hovedenheden ved at spænde de præinstallerede skruer. (Fig. 9-6)
Bemærk:
Kontroller, at der ikke er mellemrum mellem hovedenheden og gitteret eller mellem gitteret og loftsfladen. (Fig. 9-6)

Hvis der er mellemrum mellem gitteret og loftet:

Juster hovedenhedens installationshøjde en anelse, mens gitteret er monteret, for at fjerne mellemrummet.

⚠ Forsigtig:

- Kontroller, at tilspændingsmomentet er mellem 2,8 N•m og 3,6 N•m, når skruen spændes. Brug aldrig en slagskruetrækker.
- Når skruen er spændt, skal det kontrolleres, at de to gitterkroge (Fig. 9-6) har fat i kroge på hovedenheden.

9.4.4. Ledningsforbindelse (Fig. 9-8)

- Løsn de 2 skruer, der holder el-boksens dæksel fast på hovedenheden, og skub dækslet op.
- Før ledningen fra siden af el-boksen.
- Husk at slutte en klemme til ventilatorvingemotoren (hvid, 20-polet) til CNV-klemme (hvid) på hovedenhedens kontrolkort.
- Ledninger, der føres fra gitteret, skal holdes sammen uden slæk vha. en klemme ind i el-boksen.

9.4.5. Installation af signalmottager (Fig. 9-9)

- Før ledningen (hvid, 9-polet) til signalmottagerhjørnepanelet fra siden af el-boksen på hovedenheden.
- Tilslut til CN90 (hvid) på kontrolkortet.
- Kontroller, at signalmottagerhjørnepanelets ledning er ført gennem trompetformens klo.
- Den resterende ledning skal holdes sammen uden slæk vha. en klemme ind i el-boksen.
- Sæt dækslet tilbage på el-boksen med 2 skruer.
Bemærk:
Pas på, at ledninger ikke kommer i klemme i el-boksens dæksel.
Installer signalmottagerhjørnepanelet på panelet, og fastgør med skruen.
Signalmottagerhjørnepanelet kan ikke installeres på drænrørssiden af hovedenheden. (Se Fig. 9-10)

- Ⓐ Signalmottagerhjørnepanel
- Ⓑ Hul i gitter (til gennemføring af ledning).
- Ⓒ Trompetformens klo
- Ⓓ Ledning
- Ⓔ Klemme
- Ⓕ Kabelstrop (fastgør ledningen).
- Ⓖ CN90 på kontrolkort
- Ⓗ Skruer

9. Montering af gitteret

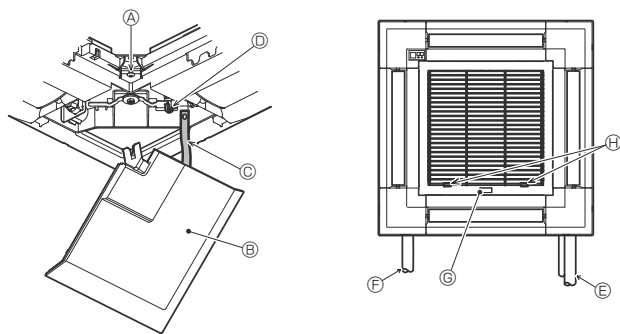


Fig. 9-11

9.5. Montering af indtagsgitteret (Fig. 9-11)

Bemærk:

Når hjørnepanelerne installeres igen (alle med monteret sikkerhedsstrop), forbindes den anden ende af sikkerhedsstroppen til gitteret som vist i illustrationen.

* Hvis hjørnepanelerne ikke er sikkert monteret, kan de falde af under drift af hovedenheden.

• Gennemgå den procedure, der er beskrevet i "9.2. Forberedelse af gittermontering" i omvendt rækkefølge for at installere indtagsgitteret og hjørnepanelet.

• Indtagsgitterets retning kan ændres efter kundens ønske.

Ⓐ Skruer (4 × 16)

Ⓑ Hjørnepanel

Ⓒ Sikkerhedsstrop

Ⓓ Krog

Ⓔ Kølemiddeldrør

Ⓕ Drænrør

Ⓖ Virksomhedslogo

* Installation mulig i alle positioner.

Ⓜ Indledende position af håndtagene på indtagsgitteret

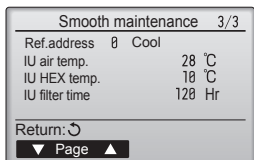
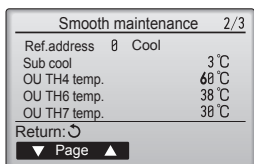
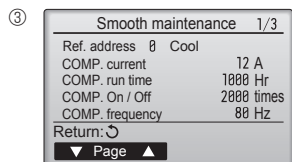
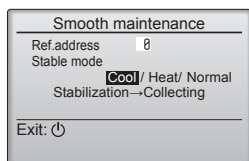
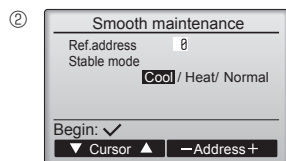
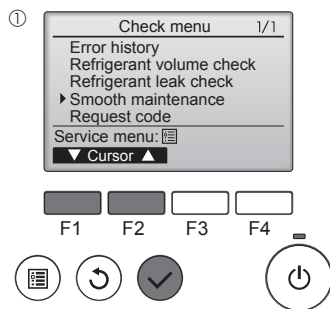
* Selvom klipsene kan installeres på alle 4 positioner, anbefales den konfiguration, der vises her. (Det er ikke nødvendigt at fjerne indtagsgitteret ved udførelse af vedligeholdelse på hovedenhedens el-boks).

10. Nem vedligeholdelsesfunktion

Vedligeholdelsesdata, såsom temperaturen på indendørs-/udendørsenhedens varmeudveksler og kompressorens driftsstrøm kan vises med "Smooth maintenance" (problemfri vedligeholdelse).

* Dette kan ikke udføres under testkørsel.

* Afhængig af kombinationen med udendørsenheden understøttes dette muligvis ikke af alle modeller.



• Vælg "Service" fra Main menu (hovedmenuen), og tryk på knappen [VÆLG].

• Vælg "Check" (Kontrol) med knappen [F1] eller [F2], og tryk på knappen [VÆLG].

• Vælg "Smooth maintenance" (problemfri vedligeholdelse) med knappen [F1] eller [F2], og tryk på knappen [VÆLG].

Vælg hvert element

• Vælg det element, der skal skiftes vha. knappen [F1] eller [F2].

• Vælg den nødvendige indstilling med knappen [F3] eller [F4].

Indstillingen "Ref. address" (Referenceadresse) "0" - "15"
Indstillingen "Stable mode" (Stabil tilstand) "Cool" (Kulde) /
"Heat" (Varme) /
"Normal"

• Tryk på knappen [VÆLG]. Fikseret drift starter.

* Stable mode (Stabil tilstand) tager ca. 20 minutter.

Driftsdataene vises.

Kompressorens akkumulerede driftstid (COMP. run (COMP.-drift)) er en 10-timers enhed, og kompressorens antal driftsgange (COMP. On/Off) er en 100-times enhed (afviste fraktioner)

Sådan navigerer du i skærmene

- Gå tilbage til Main menu (hovedmenuen) [MENU]-knap
- Gå tilbage til den foregående skærm [TILBAGE]-knap

Innehåll





1. Säkerhetsåtgärder.....	173	6. Elektriska arbeten.....	179
2. Placering	174	7. Provkörning	185
3. Installering av inomhusenheten.....	175	8. Systemkontroll.....	188
4. Installera kylmedelsrör	177	9. Installation av grill.....	189
5. Dräneringsrör	178	10. Funktion för enkelt underhåll	191

Obs:
Frasen "Fast ansluten fjärrkontroll" i denna installationsmanual refererar enbart till PAR-32MAA.
Om du behöver information om den andra fjärrkontrollen, kan du läsa i den installationsmanual eller grundinställningsmanual som finns i förpackningen.

1. Säkerhetsåtgärder

- ▶ Innan du installerar enheten bör du läsa igenom samtliga "Säkerhetsåtgärder".
- ▶ Under "Säkerhetsåtgärder" hittar du viktig information som rör din säkerhet. Se till att du följer anvisningarna.
- ▶ Rapportera installationen till elverket eller inhämta deras tillstånd innan utrustningen ansluts till strömförsörjningen.

VAD SYMBOLERNA SOM VISAS PÅ ENHETEN BETYDER

	VARNING (Brandrisk)	Denna märkning gäller bara för köldmediet R32. Köldmedietypen är skriven på utomhusenhetens namnplåt. Ifall köldmedietypen är R32 används ett lättantändligt köldmedium i denna enhet. Om köldmediet läcker ut och kommer i kontakt med eld eller uppvärmningskomponenterna kommer det att bildas en farlig gas och brandrisk föreligger.
	Läs DRIFTSMANUALEN noggrant före användning.	
	Servicepersonal måste läsa DRIFTSMANUALEN och INSTALLATIONSHANDBOKEN noggrant före användning.	
	Mer information finns i DRIFTSMANUALEN, INSTALLATIONSHANDBOKEN och liknande.	

Symboler som används i texten



 **Varning:**
Anger försiktighetsmått som bör vidtas för att förhindra att användaren utsätts för fara eller risk.

 **Försiktighet:**
Beskriver säkerhetsåtgärder som bör följas för att undvika att enheten skadas.

Varning:

- Läs noga texten på alla dekalerna på huvudenheten
- Be en återförsäljare eller behörig tekniker installera, flytta eller reparera enheten.
- Användaren får aldrig försöka att reparera enheten eller flytta den till en annan plats.
- Modifiera inte enheten.
- Följ instruktionerna i installationsanvisningen vid installation eller flytt och använd verktyg och rörkomponenter som speciellt utformats för köldmedlet som specificeras i installationsanvisningarna för utomhusenheten.
- Enheten ska installeras enligt anvisningarna för att risken för skador från jordbävningar, tyfoner och kraftig vind ska minimeras. En felaktigt installerad enhet kan falla ned och orsaka person- och maskinskador.
- Enheten måste fästas säkert på en konstruktion som kan bära dess vikt.
- Enheten skall förvaras på en välventilerad yta där rumsstorleken motsvarar den rumsytan som specificeras vid drift
- Om luftkonditioneringen installeras i ett litet rum eller ett stängt rum, måste man vidta åtgärder för att förhindra att köldmedelskoncentrationen i rummet överskrider säkerhetsgränsen i händelse av ett läckage. Om köldmedlet läcker ut och gör att koncentrationen överskrider gränsen, kan risker uppstå på grund av syrebrist i rummet.
- Håll enheter med brinnande gas, elvärmare och andra eldkällor (gnistkällor) borta från den plats där installation, reparation och annat luftkonditioneringsarbete kommer att utföras.
Om köldmedel kommer i kontakt med öppen låga kommer giftiga gaser att utvecklas.
- Vädra rummet om köldmedel läcker ur vid drift. Om köldmedel kommer i kontakt med öppen låga kan giftiga gaser utvecklas.
- Alla elarbeten måste utföras av behörig tekniker enligt lokala föreskrifter och anvisningarna i denna manual.
- Använd endast angivna kablar för anslutningar. Anslutningarna måste göras på ett säkert sätt utan spänningar i terminalanslutningarna. Kablarna får aldrig skarvas (om inget annat anges i detta dokument). Om instruktionerna inte följs kan det leda till överhettning eller brand.
- Vid installation, flytt eller service av luftkonditioneringen ska endast angivet kylmedel som står skrivet på utomhusenheten användas för att fylla på kylmedelsrören. Blanda inte med andra kylmedel och låt inte luft vara kvar i rören.
Om luft blandas med kylmedel kan det orsaka onormalt högt tryck i kylmedelsrören, vilket kan leda till explosion och andra faror.

Symboler som används i illustrationerna

-  : Indikerar en del som måste jordas.
-  : Gör ej.

När installationen är klar, förklara "Säkerhetsåtgärder" för enheten, hur den används och underhålls för kunden enligt informationen i bruksanvisningen och utför provkörningen för att kontrollera att den fungerar som den ska. Användaren ska behålla både installationsanvisningen och bruksanvisningen. Dessa manualer ska lämnas över till kommande användare.

Användning av annat kylmedel än det som specificeras för systemet orsakar mekaniska fel, systemfel eller haveri. I värsta fall kan det leda till en allvarlig brist som hotar produktens säkerhet.

- Anläggningen ska installeras i enlighet med de nationella bestämmelserna rörande ledningsdragnings.
- Enheten får inte användas av personer (inklusive barn) med fysiska, sensoriska eller mentala funktionshinder eller personer som saknar vana och kunskaper om de inte övervakas av en ansvarig eller instrueras hur enheten används.
- Barn måste hållas under uppsikt så att de inte leker med apparaten.
- Kopplingsblockets kåpa måste vara ordentligt monterad.
- Om nätströmssladden skadas måste den bytas av tillverkaren, dennes serviceombud eller annan person med liknande kvalifikationer för att undvika risker.
- Använd endast tillbehör som är godkända av Mitsubishi Electric och be en återförsäljare eller behörig tekniker installera dem.
- När installationen är klar, kontrollera att det inte läcker ut köldmedel. Om det läcker ut köldmedel i rummet och det kommer i kontakt med lågan i en värmare eller campingkök, utvecklas giftiga gaser.
- Försök inte accelerera avfrostningsförloppet eller rengöra på något annat sätt än de som rekommenderas av tillverkaren.
- Utrustningen ska förvaras i ett rum utan antändningskällor som är i kontinuerlig drift (till exempel: öppen låga, gasanordningar eller elektriska värmeanordningar).
- Får inte punkteras eller brännas.
- Var uppmärksam på att köldmediet kan vara luktfritt.
- Rörssystem ska skyddas från fysiska skador.
- Installationen av rörssystem bör hållas till ett minimum.
- Nationella gasförordningar måste efterlevas.
- Blockera inga nödvändiga ventilationsöppningar.
- Använd inte lödlegering av lågtemperatursort vid lödning av köldmedelsrören.
- Se till att ventiler rummet tillräckligt då du utför lödningsarbete.
Se till så att det inte finns några farliga eller lättantändliga material i närheten. Om du utför arbetet i ett stängt rum, litet rum, eller på en liknande plats, se till så att det inte finns några köldmedelsläckor innan du utför arbetet.
Om köldmedelsgaser läcker ut och ansamlas kan de antändas eller ge upphov till giftiga gaser.

1. Säkerhetsåtgärder

1.1. Före installationen (Miljö)

⚠ Försiktighet:

- Använd inte enheten i ovanliga miljöer. Om luftkonditioneringen installeras i ett område som utsätts för ånga, flyktiga oljor (inklusive maskinolja), svavelhaltiga gaser eller i områden med hög saltkoncentration, t.ex. i kustområden, kan prestandan försämrans avsevärt och dess inre delar skadas.
- Installera inte enheten där brännbara gaser kan läcka ut, skapas, strömma ut eller ansamlas. Om brännbara gaser ansamlas runt enheten kan det orsaka brand eller explosion.
- Förvara inte livsmedel, växter, djur i bur, konstföremål eller precisionsinstrument i den direkta luftströmmen från inomhusenheten eller för nära enheten, efter som dessa saker kan ta skada av temperaturförändringar eller droppande vatten.
- När luftfuktigheten i rummet överskrider 80% eller när dräneringsröret är blockerat, kan vatten droppa från inomhusenheten. Installera inte inomhusenheten där droppandet kan orsaka skador.
- Vid installation av enheten i ett sjukhus eller där det finns datakommunikation, var beredd på störande ljud och elektriska störningar. Växelriktare, hushållsapparater, högfrekvent, medicinsk utrustning och utrustning för radiokommunikation kan göra att luftkonditioneringen inte fungerar eller skadas. Luftkonditionering kan även påverka medicinsk utrustning, vilken kan störa värden, och kommunikationsutrustning, vilket kan störa bildkvaliteten.

1.2. Före installation eller omplacering

⚠ Försiktighet:

- Var ytterst försiktig vid transport av enheterna. Det krävs två eller flera personer för att hantera enheten eftersom den väger 20 kg eller mer. Lyft inte i packbanden. Använd skyddshandskar eftersom du kan skada händerna på kylplåtarna och övriga delar.
- Gör dig av med förpackningsmaterialet på ett säkert sätt. Förpackningsmaterial, som spikar och andra delar av metall eller trä, kan orsaka sticksår och andra skador.
- Köldmedelsröret måste värmeisoleras för att förhindra kondensation. Om köldmedelsröret inte är ordentligt isolerat kommer kondens att bildas.
- Sätt på värmeisolering på rören för att förhindra kondens. Felaktig installation av dräneringsröret kan orsaka vattenläckage och skador på taket, golvet, inredningen och andra ägodelar.
- Rengör inte luftkonditioneringen med vatten. Det kan orsaka elektriska stötar.
- Dra åt alla flämsmuttrar med en momentnyckel enligt specifikationen. Om de dras åt för hårt kan de gå sönder efter en längre tid.
- Om enheten körs under lång tid när luften i takhöjd har hög temperatur/hög luftfuktighet (daggpunkt över 26 °C) kan kondensbildning uppstå i inomhusenheten eller i taket. Om enheten används i detta tillstånd ska isoleringsmaterial tillsättas (10–20 mm) på enhetens hela yta samt i taket för att undvika kondensbildning.

1.3. Före elarbeten

⚠ Försiktighet:

- Montera överspänningsskydd. Om sådana inte monteras, kan det orsaka elektriska stötar.
- Använd tillräckligt grova standardkablar för elledningarna. Annars kan det orsaka kortslutning, överhettning eller brand.
- Vid installation av elledningarna, belasta inte kablarna.
- Jorda enheten. Felaktig jordning av enheten kan orsaka elektriska stötar.
- Använd överspänningsskydd (jordfelsbrytare, fränskiljare (+B-säkring) och helgjutna överspänningsskydd) med angiven kapacitet. Om kapaciteten för överspänningsskyddet är större än angiven kapacitet, kan detta orsaka haveri eller brand.

1.4. Innan du startar provkörningen

⚠ Försiktighet:

- Slå på strömmen minst 12 timmar innan provkörningen startas. Om provkörningen startas omedelbart efter det att strömmen slagits på, kan interna delar skadas allvarligt.
- Innan du startar provkörningen, kontrollera att alla paneler, skydd och annan skyddsutrustning är korrekt monterad. Roterande eller heta delar eller högspänningsdelar kan orsaka personskador.
- Kör inte luftkonditioneringen utan luftfilter. Utan luftfilter kan damm ansamlas och detta kan orsaka ett haveri.
- Rör inte vid några omkopplare med svettiga händer. Det kan orsaka elektriska stötar.
- Rör inte vid köldmedelsrören med bara händer när enheten är igång.
- Efter körningen, vänta minst fem minuter innan du slår från strömbrytaren. Annars kan det uppstå vattenläckage eller haveri.

2. Placering

Se installationsanvisningarna för utomhusenheten.

3. Installering av inomhusenheten

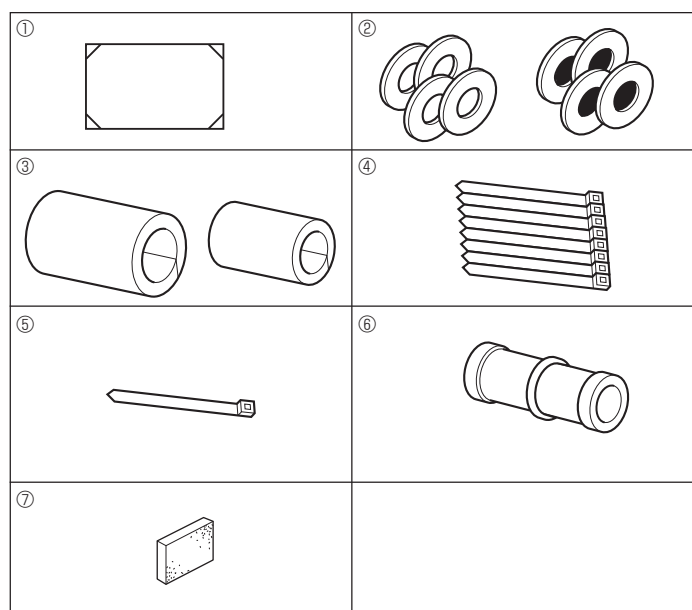


Fig. 3-1

3.1. Kontrollera tillbehören för inomhusenheten (Fig. 3-1)

Inomhusenheten bör levereras med följande tillbehör.

Tillbehörets namn	Antal
① Installationsmall (Förpackningens ovansida)	1
② Mellanlägg (med isolering)	4
Mellanlägg (utan isolering)	4
Rörskydd (för kylmedelsröret anslutning)	
③ Liten diameter	1
Stor diameter	1
④ Band (stort)	8
⑤ Band (litet)	1
⑥ Dräneringsmuff	1
⑦ Isolering	1

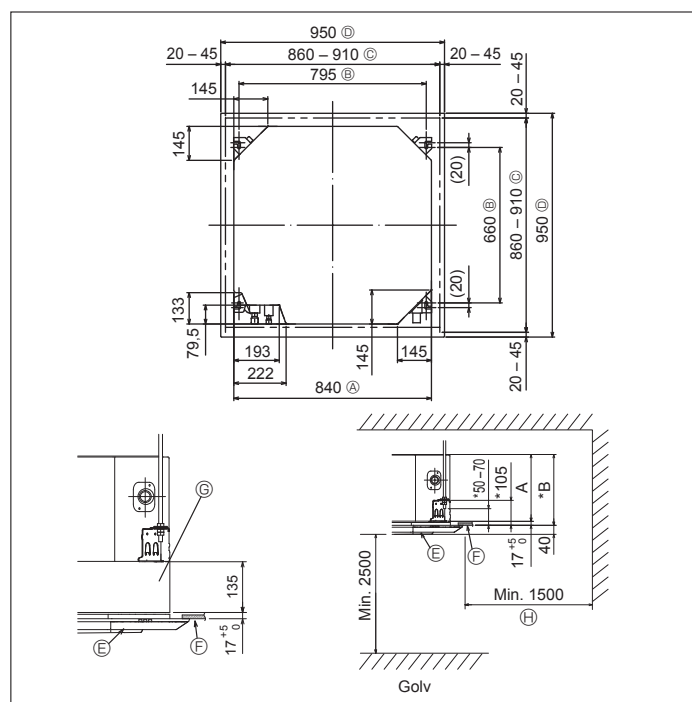


Fig. 3-2

3.2. Taköppning och installationsplatser för upphängningsbultar (Fig. 3-2)

⚠ **Försiktigt:**

Installera inomhusenheten minst 2,5 m över golv- eller plan nivå. För apparater som inte är tillgängliga för den allmänna publiken.

- Använd installationsmallen (förpackningens ovansida) och måttet (medföljer grillen som tillbehör) och gör en öppning i taket så att huvudenheten kan installeras så som diagrammet visar. (Metoden för användning av mallen och måttet visas.)
 - * Innan enheten används bör man kontrollera dimensionerna på mallen och måttet eftersom de kan variera beroende på temperaturen och fuktigheten.
 - * Måtten på taköppningen kan regleras inom området visat i Fig. 3-2; så centrera huvudenheten mot taköppningen och försäkra att respektive motsatta sidor på alla sidor om spelrummet mellan dem blir identiska.
- Använd M10 (3/8-tum) upphängningsbultar.
 - * Upphängningsbultarna inköps lokalt.
- Installera enheten ordentligt, se till att det inte finns något fritt utrymme mellan takpanelen och grillen, samt mellan huvudenheten och grillen.

- Ⓐ Huvudenhetens yttre sida
- Ⓑ Bultutning
- Ⓒ Taköppning
- Ⓓ Grillens yttre sida
- Ⓔ Grill
- Ⓕ Tak
- Ⓖ Multifunktionell karm (tillval)
- Ⓗ Hela omkretsen

* Observera att avståndet mellan aggregatets takpanel och innertak eller liknande måste vara minst 7 mm

* Lägg till 135 mm till måtten markerad på figuren när det valbara flerfunktionshöljet har installerats.

Modeller	A	B
SM71	241	258
SM100-140	281	298

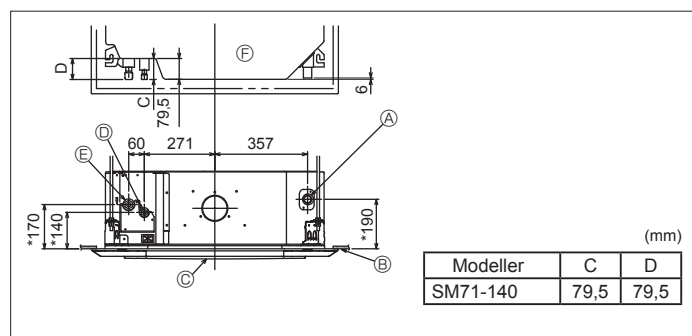


Fig. 3-3

3.3. Placering av inomhusenhetens kylmedels- och dräneringsrör (Fig. 3-3)

Figuren märkt * i ritningen representerar måtten för huvudenheten exklusive flerfunktionshöljet (tillval).

- Ⓐ Avrinningsrör
- Ⓑ Tak
- Ⓒ Grill
- Ⓓ Kylmedelsrör (vätska)
- Ⓔ Kylmedelsrör (gas)
- Ⓕ Huvudenhet

* När flerfunktionshöljet (tillval) installerats, lägg till 135 mm till de mått som markerats på figuren.

3. Installering av inomhusenheten

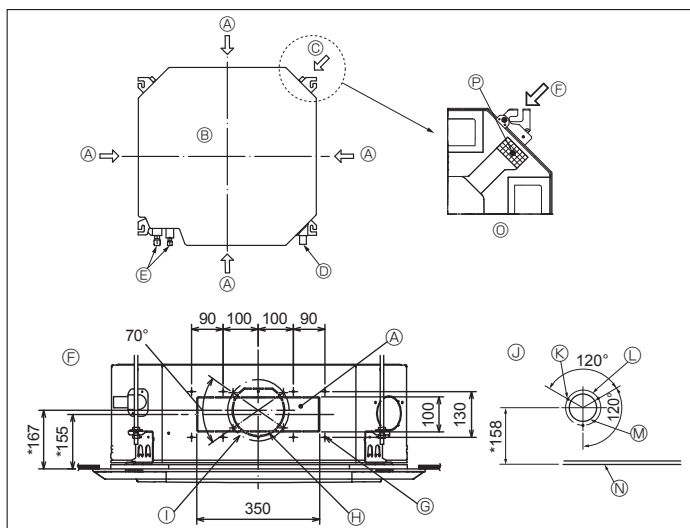


Fig. 3-4

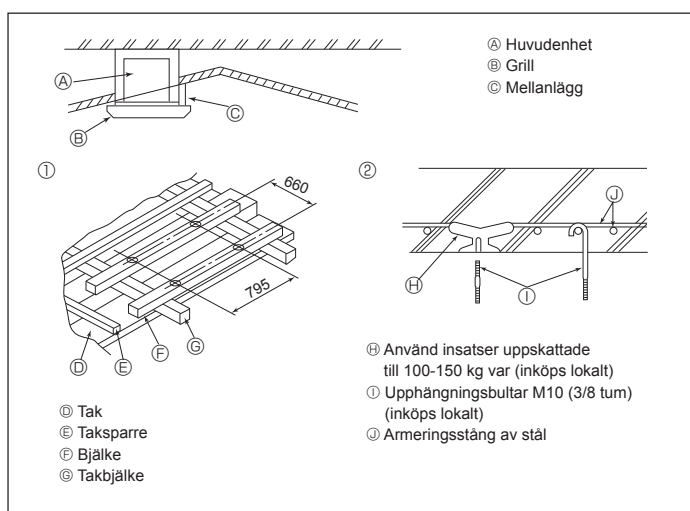


Fig. 3-5

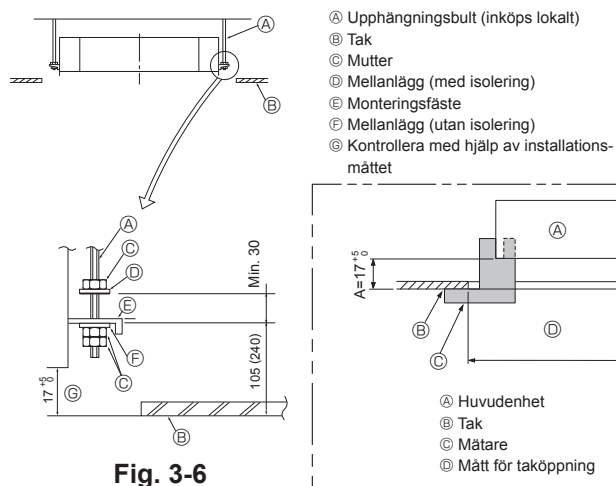


Fig. 3-6

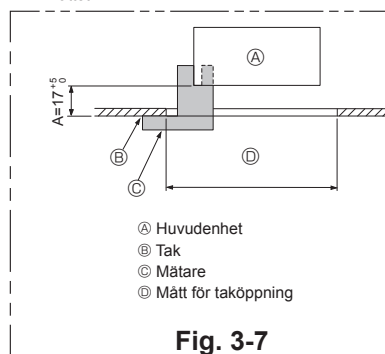


Fig. 3-7

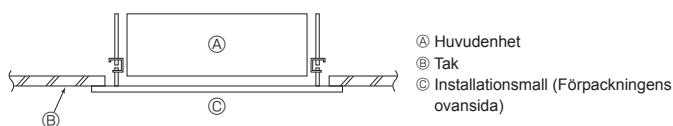


Fig. 3-8

3.4. Hål för grenkanal och för friskluftintag (Fig. 3-4)

Vid installationstillfället, använder du grenkanalerna (hål) som är placerade vid de positioner som visas i Fig. 3-4, när och om det krävs.

• Ett hål för friskluftsintag för den extra multifunktionella karmen kan också göras.

Obs:

- Figuren som är märket med * i bilden representerar dimensionerna på huvudenheten utom dessa med den extra multifunktionella karmen.
 - Lägg till 135 mm till måtten i bilden vid installation av den extra multifunktionella karmen.
 - Vid installation av grenkanaler ska de isoleras på lämpligt sätt. I annat fall kan kondensering och dropp uppstå.
 - Kom ihåg att ta bort isoleringen (F) som är festsatt på inomhusenheten när friskluftsintaget monteras.
 - När uteluft tas in direkt i huvudenheten bör intagsluftvolymflöde vara högst 5 % av inomhusenhetens volymflöde.
 - För intag av uteluft krävs kanalfäkt samt dammfilter, som hindrar att damm och andra partiklar dras in.
- Mer information finns i avsnittet om volymflödes- och tryckkaraktistik för intag av friskluft i databoken serie P.

• När uteluft tas in i huvudenheten kan ljudvolymen i drift öka.

A Grenkanal	H Ø150 hål
B Huvudenhet	I Ø175 håldelning
C Friskluftsintag	J Bild på friskluftintag
D Dräneringsrör	K 3-4×10 självgående skruvar
E Kylrör	L Ø125 håldelning
F Bild på grenkanal (från annan sida)	M Ø100 hål
G 14-4×10 självgående skruvar	N Tak
	O Detaljerad bild som visar hur isoleringen tas bort
	P Isolering

3.5. Struktur för upphängning (förstärkning av upphängningsplatsen) (Fig. 3-5)

• Takarbetet varierar beroende på byggnadens konstruktion. Byggfirman och dekoratörer bör rådfrågas om detaljer.

- (1) Omfattningen av takets avlägsnande: Taket måste vara helt horisontalt och takets konstruktion (fackverk: träspjälor och spjälhållare) måste förstärkas för att skydda taket mot vibrationerna.
- (2) Avlägsna takets grundkonstruktion.
- (3) Förstärk taket där det avlägsnats och lägg till material för att säkra takpappens ändar.
- (4) Om enheten installeras på ett vinklat tak bör man lägga ett mellanlägg mellan taket och grillen och placera enheten så att den installeras horisontalt.

- ① Träbyggnader
 - Använd tvärstag (envåningshus) eller golvbjälkar (tvåvåningshus) som förstärkning.
 - Träbjälkar som används för att hänga upp luftkonditioneringsenheter måste vara starka och sidorna måste vara minst 6 cm långa om avståndet mellan bjälkarna inte är över 90 cm, sidorna måste vara minst 9 cm långa om bjälkarna är på upp till 180 cm avstånd från varandra. Uphängningsbultarnas storlek bör vara Ø10 (3/8 tum). Bultar medföljer ej enheten.

② Järmbetongsbyggnader

Säkra upphängningsbultarna med metoden ovan eller använd hållare av stål eller trä etc. För att installera upphängningsbultarna:

3.6. Procedur för upphängning av enheten (Fig. 3-6)

Häng upp huvudenheten så som visas i diagrammet.

Siffror inom parentes representerar måtten vid installation av tillvalet flerfunktionshölje.

1. Montera delarna på upphängningsbultarna i förväg i följande ordning: mellanlägg (med isolering), mellanlägg (utan isolering) och muttrar (dubbla).
 - Montera mellanlägget med dynan så att isoleringen är riktad nedåt.
 - Om övre mellanlägg används för att hänga upp huvudenheten skall de undre mellanläggen (med isolering) och muttrarna (dubbla) monteras senare.
2. Lyft upp enheten till rätt höjd för upphängningsbultarna och för in monteringsfästet mellan mellanläggen och säkra.
3. Om huvudenheten inte kan riktas in mot monteringshålet på taket, kan det justeras med en skära som finns på monteringsfästet.
 - Se till att steg A utförs mellan 17-22 mm. Om man inte håller sig inom dessa mått kan skador uppstå. (Fig. 3-7)

⚠ **Försiktighet:**

Använd den övre halvan av lådan som skydd för att förhindra damm eller skräp från att komma in i enheten före installation av det dekorativa skyddet, eller vid applicering av takmaterial.

3.7. Bekräfta huvudenhetens positionering och drag åt upphängningsbultarna (Fig. 3-8)

- Med måttet som är fäst på grillen, se till att huvudenhetens undersida är korrekt inriktad med öppningen i taket. Det är nogga att detta utförs för att förhindra att droppande kondensering uppstår på grund av vind etc.
 - Bekräfta att huvudenheten är nivellerad horisontalt med ett vattenstånd eller ett vinylrör fyllt med vatten.
 - När enhetens position avgjorts, dras muttrarna på upphängningsbultarna åt för att säkra huvudenheten.
 - Installationsmallen (förpackningens ovansida) kan användas som ett skyddsark för att förhindra damm från att komma in i huvudenheten när grillarna lämnas avtagna under en tid, eller när takmaterialen ska fästas igen efter installationen.
- * Se instruktionerna som anges på installationsmallen för detaljer om montering. (Förpackningens ovansida)

4. Installera kylmedelsrör

4.1. Försiktighetsåtgärder

För enheter som använder kylmedel R32/R410A

- Använd en liten mängd alkylbensenolja som smörjmedel på flänsanslutningarna.
- Använd C1220 koppar/fosfor till skarvfria rör av koppar eller kopparlegering för anslutning av kylmedelsrören. Använd köldmedelsrör med den tjocklek som anges i tabellen nedan. Kontrollera att rörens insidor är rena och inte innehåller skadliga föroreningar som svavelhaltiga föreningar, oxider, skräp eller damm.

⚠ Varning:

Vid installation, flytt eller service av luftkonditioneringen ska endast angivet kylmedel som står skrivet på utomhusenheten användas för att fylla på kylmedelsrören. Blanda inte med andra kylmedel och låt inte luft vara kvar i rören. Om luft blandas med kylmedel kan det orsaka onormalt högt tryck i kylmedelsrören, vilket kan leda till explosion och andra faror.

Användning av annat kylmedel än det som specificeras för systemet orsakar mekaniska fel, systemfel eller haveri. I värsta fall kan det leda till en allvarlig brist som hotar produktens säkerhet.

ø6,35 tjocklek 0,8 mm	ø9,52 tjocklek 0,8 mm
ø12,7 tjocklek 0,8 mm	ø15,88 tjocklek 1,0 mm

- Använd inte tunnare rör än dem som anges ovan.

4.2. Anslutningsrör (Fig. 4-1)

- Om kommersiellt tillgängliga kopparrör används bör vätske- och gasrör lindas med kommersiellt tillgängligt isoleringsmaterial (värmebeständig upp till 100 °C eller mer, tjocklek 12 mm eller mer).
- Stryk på ett tunt lager av frysmaskinolja på röret och fogens tätningssyta innan den flänsade muttern dras åt.
- Använd två skruvnycklar för att dra åt röranslutningarna.
- Använd den medföljande isoleringen för kylmedelsrör för att isolera anslutningarna på inomhusenheten. Isolera dem noga.
- När du har anslutit köldmedelsrören till inomhusenheten ska du kontrollera att det inte förekommer något läckage av kvävegas i anslutningen av rörledningarna. (Kontrollera att inget köldmedel läcker från köldmedelsröret till inomhusenheten.)
- Använd den flänsmutter som är monterad på inomhusenheten.
- Kraga om köldmedierör som ska återanslutas efter demontering.

Ⓐ Åtdragningsmoment för flänsmutter

Kopparrör O.D. (mm)	Flänsmutter O.D. (mm)	Åtdragningsmoment (N·m)
ø6,35	17	14 - 18
ø6,35	22	34 - 42
ø9,52	22	34 - 42
ø12,7	26	49 - 61
ø15,88	29	68 - 82

Ⓒ Sätt på köldmedelsolja på flänsens hela yta.

Ⓓ Använd flänsmuttrar som passar utomhusenhetens rörstorlek.

Tillgänglig rörstorlek

	SM71-140
Vätskesida	ø9,52 O
Gassida	ø15,88 O

O : Fabrikslevererat flänsmuttertillbehör för värmeväxlaren.

⚠ Varning:

- **Se upp för flygande flänsmuttrar! (på grund av internt tryck)**
Ta bort flänsmuttern enligt följande:
 1. Lossa muttern tills du hör ett väsande.
 2. Ta inte bort muttern innan all gas släppts ut (dvs när väsandet upphör).
 3. Kontrollera att all gas släppts ut, och ta sedan bort muttern.
- Vid installation av enheten ska kylvätskerören anslutas ordentligt innan kompressorn startas.

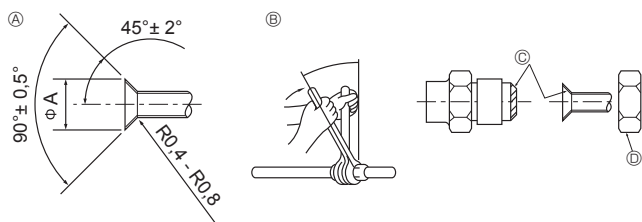


Fig. 4-1

Ⓐ Mått för flänsning

Kopparrör O.D. (mm)	Flänsmått øA mått (mm)
ø6,35	8,7 - 9,1
ø9,52	12,8 - 13,2
ø12,7	16,2 - 16,6
ø15,88	19,3 - 19,7

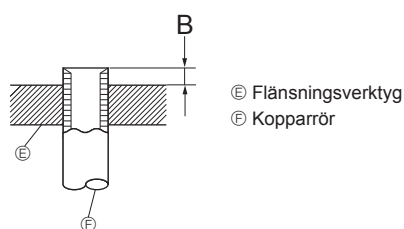


Fig. 4-2

Kopparrör O.D. (mm)	B (mm)	
	Flänsningsverktyg för R32/R410A	Kopplingstyp
ø6,35 (1/4")	0 - 0,5	
ø9,52 (3/8")	0 - 0,5	
ø12,7 (1/2")	0 - 0,5	
ø15,88 (5/8")	0 - 0,5	

4. Installera kylmedelsrör

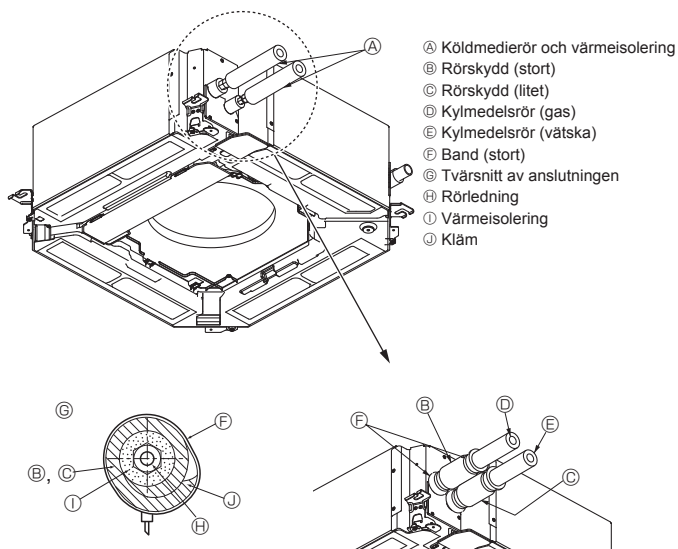


Fig. 4-3

Värmeisolering av kylmedelsrör (Fig. 4-3)

- 1 Vira det medföljande stora rörhöljet runt gasledningen, och se till att rörhöljets ände vidrör sidan på enheten.
- 2 Vira det medföljande lilla rörhöljet runt vätskeledningen, och se till att rörhöljets ände vidrör sidan på enheten.
- 3 Säkra båda ändarna av vardera rörhöljet med de medföljande banden. (Fäst banden 20 mm från ändarna av rörhöljet.)

4.3. Dubbelinstallation

Se installationsanvisningarna för utomhusenheten.

Vissa utomhusenheter kan inte användas samtidigt i dubbelinstallation.

5. Dräneringsrör

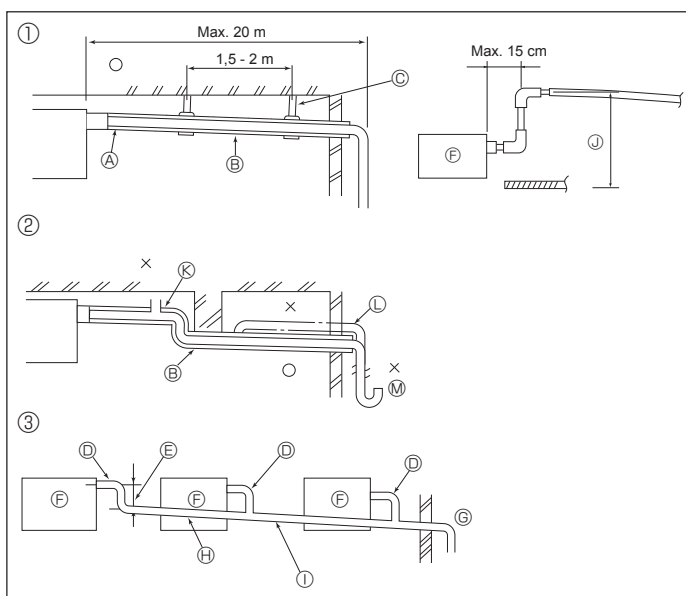


Fig. 5-1

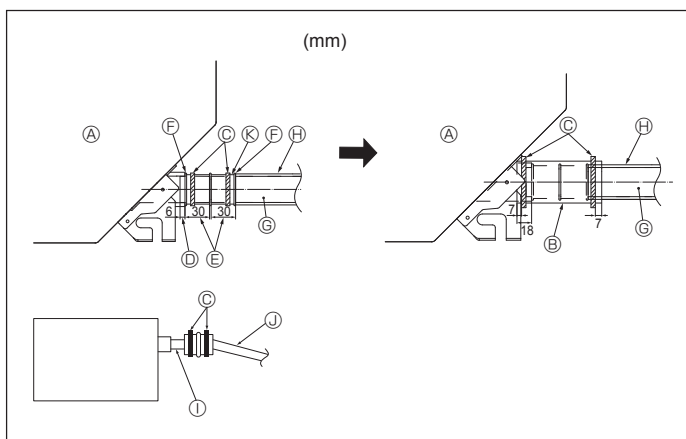


Fig. 5-2

5.1. Dräneringsrör (Fig. 5-1)

- Inomhusdelarna på dräneringsröret bör lindas med isoleringsmaterial av polyetylen-skum (specifik vikt 0,03, tjocklek 9 mm eller mer).
- Använd VP25 (PVC-rör, O.D. ø32) för dräneringsrören och tillhandahåll en nedåtgående lutning på 1/100 eller mer.
- Se till att ansluta rörfogar med PVC-lim.
- Se figuren för rörledningsarbetet.
- Använd den medföljande dräneringsslangen för att ändra rörens dragning.
- Använd stöd av metall vid dragning av utloppsledning för kondensvatten. Läckage kan uppkomma om utloppsanslutningen utsätts för belastning som skadar slangen eller får den att lossna.

- | | |
|---|---|
| ① Rätt rördragning | ⓐ Se till att en stor storlek används för grupperade rör. |
| ② Fel rördragning | ⓑ Nedåtgående lutning (1/100 eller mer) |
| ③ Grupperade rörledningar | ⓒ PVC-rör, O.D. ø38 för grupperade rör (9 mm eller mer isolering) |
| Ⓐ Isolering (9 mm eller mer) | ⓓ Upp till 85 cm |
| Ⓑ Nedåtgående lutning (1/100 eller mer) | ⓔ Avluftare |
| Ⓒ Metallstöd | ⓕ Upphöjt |
| Ⓓ PVC-rör, O.D. ø32 | ⓖ Luktfälla |
| Ⓔ Så stort som möjligt (cirka 10 cm) | |
| Ⓕ Huvudenhet | |

1. Anslut dräneringsmuffen (medföljer enheten) till dräneringsöppningen. (Fig. 5-2) (Montera slangen med PVC-lim och säkra sedan med ett band.)

2. Installera ett lokalt inhandlat dräneringsrör (PVC-rör, O.D. ø32). (Montera slangen med PVC-lim och säkra sedan med ett band.)

3. Kontrollera att dräneringen flödar jämnt.

4. Isolera kondensvattenutloppet och anslutningen med isoleringsmaterial och säkra isoleringsmaterialet med ett band. (Både isoleringsmaterial och band medföljer enheten.)

5. Isolera slangen och röret. (PVC-rör, O.D. ø32)

- | | |
|------------------------------------|---|
| Ⓐ Huvudenhet | ⓐ Dräneringsrör (PVC-rör, O.D. ø32) |
| Ⓑ Isoleringsmaterial | ⓑ Isoleringsmaterial (inhandlas lokalt) |
| Ⓒ Band (stort) | ⓒ Genomskinligt PVC-rör |
| Ⓓ Dräneringsöppning (genomskinlig) | ⓓ PVC-rör, O.D. ø32 (Lutning 1/100 eller mer) |
| Ⓔ Införingsmarginal | ⓔ Dräneringsmuff |
| Ⓕ Motsvarande | |

6. Elektriska arbeten

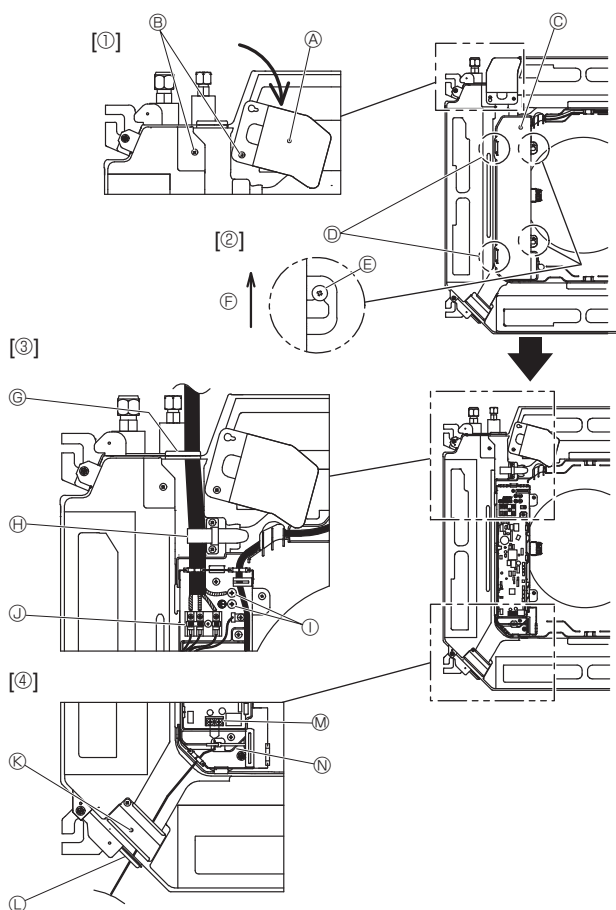


Fig. 6-1

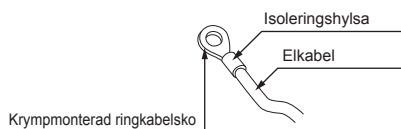


Fig. 6-2

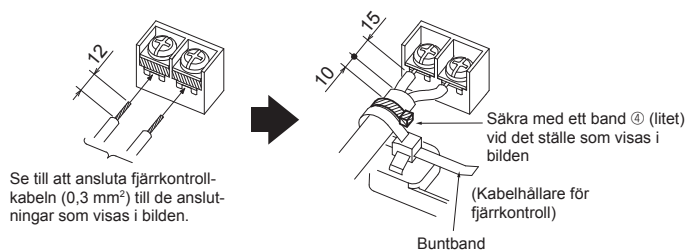


Fig. 6-3

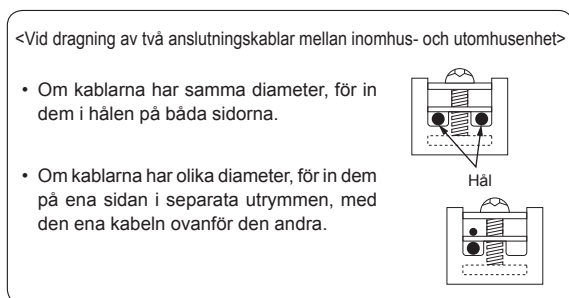


Fig. 6-5

6.1. Inomhusenhet (Fig. 6-1)

1. Lossa de två skruvar som håller servicepanelen för elektriska ledningar och vrid den. [Fig. 6-1 ①]
2. Lossa de två skruvar som håller eldosans lock och skjut av locket. [Fig. 6-1 ②]
3. Dra strömförsörjningskabeln, anslutningskabeln mellan inomhus- och utomhusenheten och jordkabeln genom respektive kabelgenomföring enligt schemat. [Fig. 6-1 ③] Anslut den mantlade delen av strömförsörjningskabeln och anslutningskabeln mellan inomhus- och utomhusenheten i elkompartmentlådan. Använd krymmonterade ringkabelskor för plintkortet för anslutning mellan inomhus- och utomhusenhet samt för uttagssatsen för strömförsörjning (tillval). [Fig. 6-2] Om det inte går att använda krymmonterade ringkabelskor, följ anvisningarna i Fig. 6-3 till 6-6. Se 6.1.1. och 6.1.2. för anslutning.
4. Dra fjärrkontrollens kabel genom ledningsöppningarna enligt schemat. [Fig. 6-1 ④, Fig. 6-3] Se 6.1.1. och 6.1.2. för anslutning.
 - Se till att skruvarna i kopplingsplinten dras åt ordentligt.

Åtdragningsmoment för skruv

	Åtdragningsmoment (N·m)
Plintkort fjärrkontroll	1,2 ± 0,1
Plintkort anslutning inomhus-/ utomhusenhet	1,6 ± 0,1
Jordkabel	1,6 ± 0,1

- Lämna så stor kabellängd att eldosan kan hänga nedanför enheten vid service (cirka 50 till 100 mm).

- Ⓐ Servicepanelen för elektriska ledningar
- Ⓑ Skruv
- Ⓒ Lock eldosa
- Ⓓ Krok för tillfällig upphängning av eldosans lock
- Ⓔ Skruv
- Ⓕ Förflyttningsriktning för eldosans lock
- Ⓖ Genomföring för strömförsörjningskabel och anslutningskabel mellan inomhus- och utomhusenhet
- Ⓗ Säkra med buntband.
- Ⓘ Jordkabel
- Ⓚ Kopplingsplint för inom-/utomhusenhet
- Ⓛ Servicepanelen för elektriska ledningar (fjärrkontroll)
- Ⓛ Genomföring för kabelansluten fjärrkontroll
- Ⓜ Plint för kabelansluten fjärrkontroll
- Ⓝ Säkra med buntband.

⚠ Försiktighet:

- Fjärrkontrollens kabel ska hållas åtskild från elkabeln (5 cm eller mer) så att den inte påverkas av elektriska störningar från elkabeln.

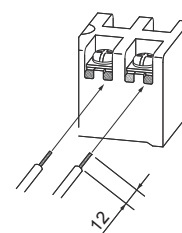


Fig. 6-4

- Det U-formade spåret öppnas om du trycker på skruvskallen efter att skruven lossats.

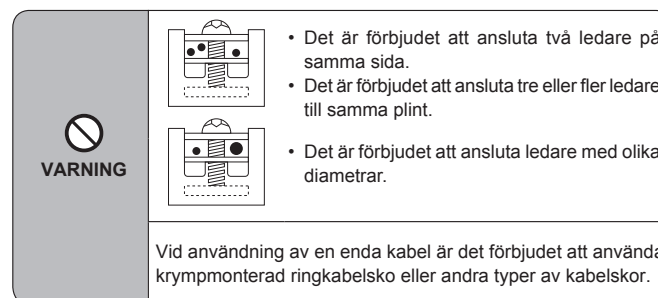


Fig. 6-6

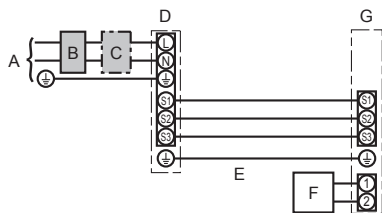
6. Elektriska arbeten

6.1.1. Ström matas från utomhusenheten till inomhusenheten

Följande anslutningsmönster finns.

Strömförsörjningsmönstren för utomhusenheten kan variera på olika modeller.

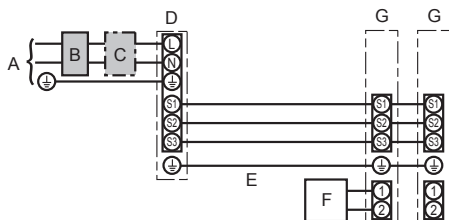
1:1 System



- A Utomhusenhetens strömförsörjning
- B Jordslutningsbrytare
- C Ledningsdragning för överspänningsskydd eller fränskiljare
- D Utomhusenhet
- E Anslutningsladdar för inom-/utomhusenhet
- F Fjärrkontroll
- G Inomhusenhet

* Sätt fast dekal A som medföljer handböckerna i närheten av inom- och utomhusenheternas kopplingschema.

System med två enheter



- A Utomhusenhetens strömförsörjning
- B Jordslutningsbrytare
- C Ledningsdragning för överspänningsskydd eller fränskiljare
- D Utomhusenhet
- E Anslutningsladdar för inom-/utomhusenhet
- F Fjärrkontroll
- G Inomhusenhet

* Sätt fast dekal A som medföljer handböckerna i närheten av inom- och utomhusenheternas kopplingschema.

Obs:
Vissa enheter kan inte användas samtidigt i dubbelinstallation. Se installationsmanualen för utomhusenheten för mer information.

Inomhusenhetens modell		PLA	
Ledningsdragning Ledningsnummer * storlek (mm ²)	Inomhusenhet-Utomhusenhet	*1	3 × 1,5 (polar)
	Inomhusenhet-Utomhusenhet, jord	*1	1 × Min. 1,5
	Inomhusenhet, jord		1 × Min. 1,5
	Anslutningsledning fjärrkontroll/inomhusenhet	*2	2 × 0,3 (Opolariserad)
Kretsens märkvärde	Inomhusenhet (värmare) L-N	*3	—
	Inomhusenhet-Utomhusenhet S1-S2	*3	230 VAC
	Inomhusenhet-Utomhusenhet S2-S3	*3	24 VDC
	Anslutningsledning fjärrkontroll/inomhusenhet	*3	12 VDC

*1. <För 71-140 utomhusenhetstillämpning>

Max. 45 m

Om 2,5 mm² används, max. 50 m

Om 2,5 mm² används och S3 är separat, max. 80 m

*2. Max. 500 m

(Om 2 fjärrkontroller används är den längsta tillåtna längden på fjärrkontrollernas kablar 200 m.)

*3. Värdena gäller INTE alltid jordningen.

S3-uttaget har 24 VDC till skillnad från S2-uttaget. Mellan S3 och S1 är uttagen inte elektriskt isolerade av transformatorn eller någon annan enhet.

- Obs:**
1. Kabeltjockleken måste överensstämma med nationella föreskrifter.
 2. Nätströmsladdar och anslutningsladdar för inom- och utomhusenheter bör inte vara lättare än polykloroprenskärmad böjlig sladd. (Konstruktion 60245 IEC 57)
 3. Installera en jordledning som är längre än de övriga kablarna.
 4. Observera inomhus-/utomhusenheternas anslutningskablers polaritet. Var noga med att ansluta till rätt plint (S1, S2, S3).
 5. Fjärrkontrollens kabel ska hållas åtskild från elkabeln (5 cm eller mer) så att den inte påverkas av elektriska störningar från elkabeln.

⚠ Varning:

Strömkabeln eller kabeln för utomhusanslutningar får aldrig skarvas. Det kan leda till rökbildning, brand eller kommunikationsfel.

6. Elektriska arbeten

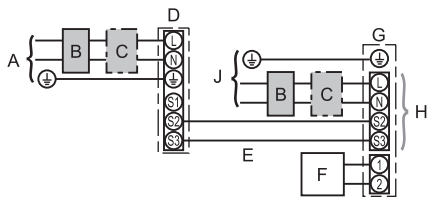
6.1.2. Separat strömförsörjning för inomhusenhet och utomhusenhet (enbart för PUHZ-tillämpningar)

Följande anslutningsmönster finns.

Strömförsörjningsmönstren för utomhusenheten kan variera på olika modeller.

1:1 System

* En uttagssats för strömförsörjning inomhus krävs.

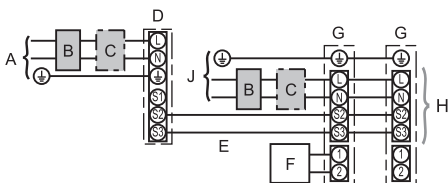


- A Utomhusenhetens strömförsörjning
- B Jordslutningsbrytare
- C Ledningsdragning för överspänningsskydd eller fränkskijare
- D Utomhusenhet
- E Anslutningsladdar för inom-/utomhusenhet
- F Fjärrkontroll
- G Inomhusenhet
- H Tillval
- J Inomhusenhetens strömförsörjning

* Sätt fast dekal B som medföljer handböckerna i närheten av inom- och utomhusenheternas kopplingsdiagram.

System med två enheter

* Uttagssatser för strömförsörjning inomhus krävs.



- A Utomhusenhetens strömförsörjning
- B Jordslutningsbrytare
- C Ledningsdragning för överspänningsskydd eller fränkskijare
- D Utomhusenhet
- E Anslutningsladdar för inom-/utomhusenhet
- F Fjärrkontroll
- G Inomhusenhet
- H Tillval
- J Inomhusenhetens strömförsörjning

* Sätt fast dekal B som medföljer handböckerna i närheten av inom- och utomhusenheternas kopplingsdiagram.

Obs:

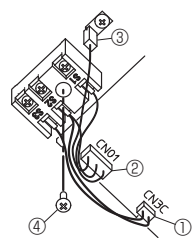
Vissa enheter kan inte användas samtidigt i dubbelinstallation. Se installationsmanualen för utomhusenheten för mer information.

Se tabellen nedan om inom- och utomhusenheterna har separat strömförsörjning. Om uttagssatser för strömförsörjning inomhus används, ska ledningsdragnings i inomhusenhetens eldosa ändras med hänvisning till figuren till höger och DIP-kopplarna på utomhusenhetens styrkort ska ändras.

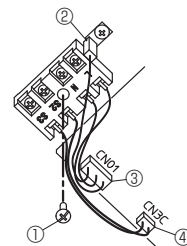
Uttagssats för inomhusenhetens strömförsörjning	Krävs								
Anslutningsändringar för inomhusenhetens	Krävs								
Fastsatt dekal i närheten av varje kopplingsdiagram för inom- och utomhusenheterna	Krävs								
Omkopplarinställningar för utomhusenheten (enbart när separat strömförsörjning används för inom- och utomhusenheterna)	<table border="1" style="margin-left: auto; margin-right: auto;"> <tr> <td>ON</td> <td></td> <td></td> <td>3</td> </tr> <tr> <td>OFF</td> <td>1</td> <td>2</td> <td></td> </tr> </table> <p>(SW8) Ställ SW8-3 till PÅ.</p>	ON			3	OFF	1	2	
ON			3						
OFF	1	2							

* Det finns tre typer av dekaler (dekalerna A, B och C). Sätt fast rätt dekal på enheterna beroende på kopplingsmetoden.

<Byte av inomhusenhetens plintblock>



- ① Koppla bort kontakten CN3C (blå) från inomhusenhetens styrkort.
- ② Koppla bort kontakten CN01 (svart) från inomhusenhetens styrkort.
- ③ Lossa kabeln från flatstiftet.
- ④ Avlägsna skruven från plintblocket.



- Montera uttagssats för strömförsörjning (tillval). Se den installationsmanual som medföljer uttagssatsen för strömförsörjning för detaljerad information.
- ① Säkra plintblocket med skruven.
 - ② Anslut kabeln till flatstiftet.
 - ③ Anslut kontakten CN01 (svart) till inomhusenhetens styrkort.
 - ④ Anslut kontakten CN3C (blå) till inomhusenhetens styrkort.

Inomhusenhetens modell		PLA
Strömtillförsel till inomhusenheten		~N (Enfas), 50 Hz, 230 V
Inomhusenhetens ineffekt		16 A
Fränkskijare (brytare)	*1	
Ledningsdragnings storlek (mm ²)	Strömtillförsel till inomhusenheten & jord	3 × Min. 1,5
	Inomhusenhet-Utomhusenhet	*2 2 × Min. 0,3
	Inomhusenhet-Utomhusenhet, jord	–
	Anslutningsledning fjärrkontroll/inomhusenhet	*3 2 × 0,3 (Opolariserad)
Kretsens märkvärde	Inomhusenhet (värmare) L-N	*4 230 VAC
	Inomhusenhet-Utomhusenhet S1-S2	*4 –
	Inomhusenhet-Utomhusenhet S2-S3	*4 24 VDC
	Anslutningsledning fjärrkontroll/inomhusenhet	*4 12 VDC

*1. Använd ett överspänningsskydd en jordslutningsbrytare (NV) med minst 3,0 mm avstånd mellan kontaktarna i varje pol.

Ett överspänningsskydd ska förses för att försäkra brytning av elförsörjningens alla aktiva fasledare.

*2. Max. 120 m

*3. Max. 500 m

(Om 2 fjärrkontroller används är den längsta tillåtna längden på fjärrkontrollernas kablar 200 m.)

*4. Värdena gäller INTE alltid jordningen.

- Obs:**
1. **Kabeltjockleken måste överensstämma med nationella föreskrifter.**
 2. **Nätströmsladdar och anslutningsladdar för inom- och utomhusenheter bör inte vara lättare än polykloroprenskärmad böjlig sladd. (Konstruktion 60245 IEC 57)**
 3. **Installera en jordledning som är längre än de övriga kablarna.**
 4. **Fjärrkontrollens kabel ska hållas åtskild från elkabeln (5 cm eller mer) så att den inte påverkas av elektriska störningar från elkabeln.**

⚠ Varning:

Strömkabeln eller kabeln för utomhusanslutningar får aldrig skarvas. Det kan leda till rökbildning, brand eller kommunikationsfel.

6. Elektriska arbeten

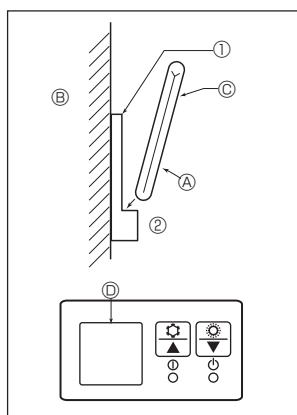


Fig. 6-7

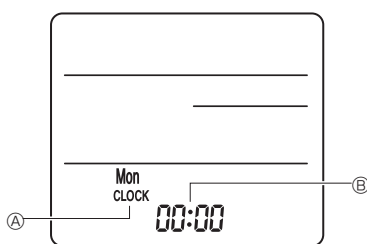


Fig. 6-8

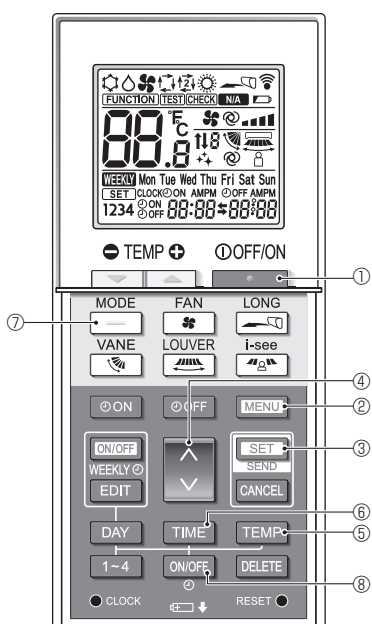


Fig. 6-9

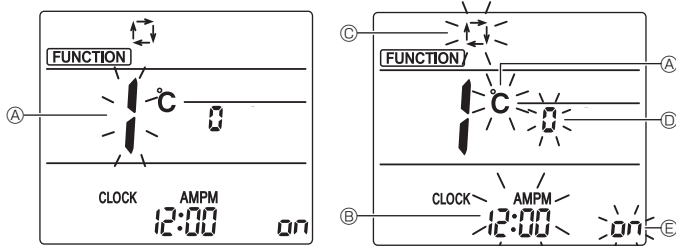


Fig. 6-10

6.2. Fjärrkontroll

6.2.1. För ledningsdragen fjärrkontroll

1) Inställning för två fjärrkontroller

Om två fjärrkontroller används, ställ in en på "Main" och den andra på "Sub". För inställningsprocedurer, se "Funktionsval" i bruksanvisningen för inomhusenheten.

6.2.2. För trådlös fjärrkontroll

1) Installationsplats

- Undvik platser där fjärrkontrollen utsätts för direkt solljus.
- Undvik platser i närheten av värmekällor.
- Undvik platser där fjärrkontrollen utsätts för kalla (eller varma) vindar.
- Välj en plats där fjärrkontrollen kan användas enkelt.
- Välj en plats utom räckhåll för barn.

2) Installationsmetod (Fig. 6-7)

① Montera fjärrkontrollens hållare på önskad plats med två självgående skruvar.

② Placera fjärrkontrollens nedre del i hållaren.

Ⓐ Fjärrkontroll Ⓑ Vägg Ⓒ Display Ⓓ Mottagare

• Signalens räckvidd är upp till 7 meter (på en rak sträcka) inom 45 grader till höger och till vänster om mottagarens mittlinje.

3) Inställning (inställning av klockan) (Fig. 6-8)

① Sätt i batterier eller tryck på knappen ●_{CLOCK} med ett spetsigt föremål.

[CLOCK] Ⓐ och [·] Ⓑ blinkar.

② Tryck på knappen RESET ● med ett spetsigt föremål.

③ Tryck på knappen ⏸ för att ställa in klockan.

Tryck på knappen DAY för att ställa in veckodagen.

④ Tryck på knappen ●_{CLOCK} med ett spetsigt föremål.

[CLOCK] och [·] lyser.

4) Grundinställning

Följande inställningar kan göras i grundinställningsläge.

Objekt	Inställning	Fig. 6-10
Temperaturenhet	°C/°F	Ⓐ
Tidsvisning	12-timmarsformat/24-timmarsformat	Ⓑ
Läge AUTO	En inställningspunkt/dubbla inställningspunkter	Ⓒ
Panr.	0-3	Ⓓ
Bakgrundsbelysning	På/Av	Ⓔ

4-1. Gå in i grundinställningsläge

1. Tryck på knappen ●_{OFF} ① för att stänga av luftkonditioneringen.

2. Tryck på knappen MENU ②.

Skärmen för funktionsinställning visas och funktionsnummer Ⓐ blinkar. (Fig. 6-9)

Tryck på knappen ⏸ ④ för att ändra funktionsnumret.

3. Kontrollera att funktionsnummer "1" visas och tryck sedan på knappen SET ③.

Skärmen för inställning av displayn visas. (Fig. 6-10)

4-2. Ändra temperaturenhet Ⓐ

Tryck på knappen TEMP ⑤.

Varje gång knappen TEMP ⑤ trycks in, ändras inställningen mellan °C och °F.

°C : Temperaturen visas i grader Celsius.

°F : Temperaturen visas i grader Fahrenheit.

4-3. Ändra tidsvisningen Ⓑ

Tryck på knappen TIME ⑥.

Varje gång knappen TIME ⑥ trycks in, ändras inställningen mellan 12:00^{AMPM} och 24:00^{AMPM}.

12:00^{AMPM} : Tiden visas i 12-timmarsformat.

24:00^{AMPM} : Tiden visas i 24-timmarsformat.

4-4. Ändra till AUTO-läget Ⓒ

Tryck på knappen ⏸ ⑦.

Varje gång knappen ⏸ ⑦ trycks in, ändras inställningen mellan t₁ och t₂.

t₁ : AUTO-läget arbetar som det vanliga automatikläget.

t₂ : AUTO-läget arbetar med dubbla inställningspunkter.

4-5. Ändra panrumret Ⓓ

Tryck på knappen ⏸ ④.

Varje gång knappen ⏸ ④ trycks in, ändras panrumret 0-3.

Panrummer på den trådlösa fjärrkontrollen	Inomhusenhetens kretskort
0	Grundinställning
1	Utskäring J41
2	Utskäring J42
3	Utskäring J41, J42

4-6. Ändra inställningen Ⓔ för bakgrundsbelysningen

Tryck på knappen ON/OFF ⑧.

Varje gång knappen ON/OFF ⑧ trycks in, ändras inställningen mellan ON och OFF.

ON : Bakgrundsbelysningen tänds när en knapp trycks in.

OFF : Bakgrundsbelysningen tänds inte när en knapp trycks in.

6. Elektriska arbeten

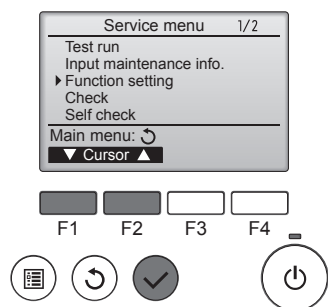


Fig. 6-11

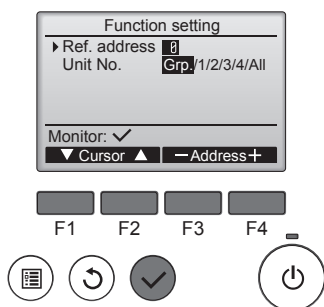


Fig. 6-12

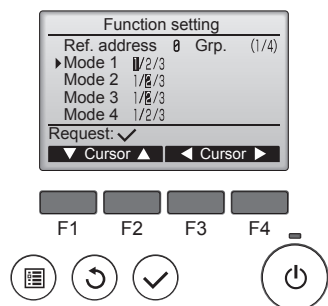


Fig. 6-13

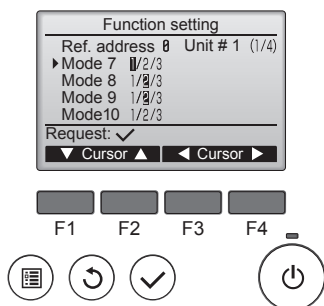


Fig. 6-14

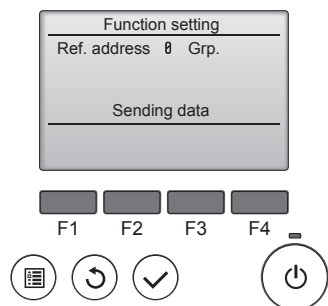


Fig. 6-15

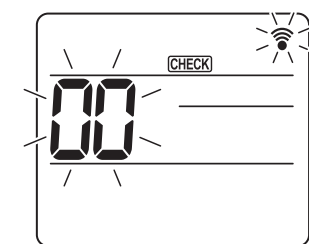


Fig. 6-16

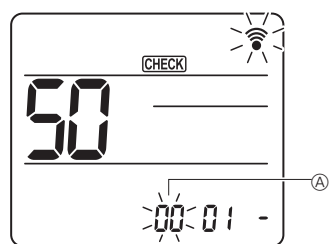


Fig. 6-17

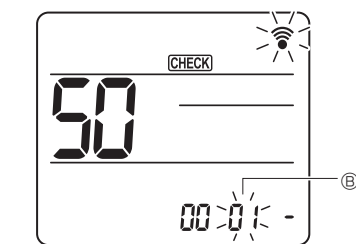


Fig. 6-18

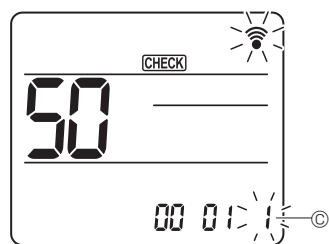


Fig. 6-19

6.3. Funktionsinställningar

6.3.1. Via kabelsluten fjärrkontroll

- (Fig. 6-11)
 - Välj "Service" på Huvudmenyn och tryck sedan på knappen [VÄLJ].
 - Välj "Function settings" (Inställning av funktion) med knappen [F1] eller [F2] och tryck sedan på knappen [VÄLJ].

- (Fig. 6-12)
 - Ställ in adresserna och enhetsnumren för inomhusenhetens kylmedel med knapparna [F1] till [F4], och tryck sedan på knappen [VÄLJ] för att bekräfta den aktuella inställningen.

<Kontrollera inomhusenhetens nr>

När knappen [VÄLJ] trycks ned startar fläkten på inomhusenheten. Om enheten är gemensam eller om alla enheter körs, startar fläkten på adressens alla inomhusenheter.

- (Fig. 6-13)
 - När datainsamlingen från inomhusenheterna är klar markeras de aktuella inställningarna. Objekt som inte är markerade innebär att inga funktionsinställningar är utförda. Skärmens utseende varierar beroende på inställningen "Enhet nr".

- (Fig. 6-14)
 - Använd knappen [F1] eller [F2] för att flytta markören för val av lägesnummer, och ändra inställningsnumret med knappen [F3] eller [F4].

- (Fig. 6-15)
 - När inställningarna är färdiga trycker du på knappen [VÄLJ] för att skicka inställningsdata från fjärrkontrollen till inomhusenheterna.
 - När överföringen är korrekt genomförd kommer skärmen att återgå till skärmen för inställning av funktion.

6.3.2. Med trådlös fjärrkontroll

- Går in på funktionsvalsläge
 - Tryck på knappen [MENU] inom 5 sekunder. (Starta denna funktion när fjärrkontrollens display är släckt.)
 - [CHECK] är tänd och "00" blinkar. (Fig. 6-16)
 - Tryck på knappen [↓] för att ställa in "50".
 - Rikta den trådlösa fjärrkontrollen mot mottagaren på inomhusenheten och tryck på knappen [SET].
 - Ställa in enhetsnummer
 - Tryck på knappen [↓] för att ställa in enhetsnummer ^A. (Fig. 6-17)
 - Rikta den trådlösa fjärrkontrollen mot mottagaren på inomhusenheten och tryck på knappen [SET].
 - Välj ett läge
 - Tryck på knappen [↓] för att ställa in lägesnummer ^B. (Fig. 6-18)
 - Rikta den trådlösa fjärrkontrollen mot mottagaren på inomhusenheten och tryck på knappen [SET].
- Aktuellt inställningsnummer: 1 = 1 pip (1 sekund)
2 = 2 pip (1 sekund vardera)
3 = 3 pip (1 sekund vardera)
- Välja inställningsnummer
 - Använd knappen [↓] för att ändra inställningsnummer ^C. (Fig. 6-19)
 - Rikta den trådlösa fjärrkontrollen mot mottagaren på inomhusenheten och tryck på knappen [SET].
 - För att välja multipla funktioner samtidigt
 - Upprepa val ^B och ^C för att ändra inställningen av multipla funktioner kontinuerligt.
 - Avsluta funktionsvalet
 - Rikta den trådlösa fjärrkontrollen mot sensorn på inomhusenheten och tryck på knappen [OFF/ON].

Obs!

Gör ovanstående inställningar på Mr. Slims enheter vid behov.

- Tabell 1 summerar inställningsalternativen för varje läge.
- Var noga med att skriva ned inställningarna för alla funktioner om någon av de ursprungliga inställningarna har ändrats efter slutförandet av installationsarbetet.

6. Elektriska arbeten

Funktionstabell (Tabell 1)

Välj enhetsnummer 00

Läge	Inställningar	Lägesnr	Inställningsnr	Inledande inställning	Inställning
Automatisk återstart efter strömavbrott	Ej tillgängligt	01	1		
	Tillgängligt *1		2	○*2	
Inomhustemperaturavkänning	Driftgenomsnitt för inomhusenhet	02	1	○	
	Ställs in med inomhusenhetens fjärrkontroll		2		
	Fjärrkontrollens inbyggda sensor		3		
LOSSNAY-anslutningsbarhet	Utan stöd	03	1	○	
	Med stöd (inomhusenheten är ej utrustad med luftintag för utomhusluft)		2		
	Med stöd (inomhusenheten är utrustad med luftintag för utomhusluft)		3		
Driftspänning	240 V	04	1		
	220 V, 230 V		2	○	

Välj enhetsnummer 01 till 03 eller alla enheter (AL [fjärrkontroll med sladd] / 07 [sladdlös fjärrkontroll])

Läge	Inställningar	Lägesnr	Inställningsnr	Inledande inställning	Inställning
Filtersignal	100 Hr	07	1		
	2500 Hr		2	○	
	Ingen indikator för filtersignal		3		
Fläkthastighet	Tyst (låg takhöjd)	08	1		
	Standard		2	○	
	Högt-i-tak		3		
Antal luftutlopp	4 riktningar	09	1	○	
	3 riktningar		2		
	2 riktningar		3		
Installerade tillbehör (högeffektivitetsfilter)	Utan stöd	10	1	○	
	Med stöd		2		
Upp/ner-inställning av flöjel	Högt i tak (Inställning av spjällvinkel ③)	11	1		
	Medelinställning (Inställning av spjällvinkel ①)		2		
	Standard (Inställning av spjällvinkel ②)		3	○	
Fläktvarvtal medan kyltermostaten är AV	Ställa in fläkthastighet	27	1		
	Stopp		2		
	Extra låg		3	○	

*1 När strömmen kommer tillbaka startar luftkonditioneringen efter 3 minuter.

*2 Initialinställningarna för automatisk återstart vid strömavbrott beror på den anslutna utomhusenheten.

7. Provkörning

7.1. Innan provkörningen

- Efter installationen och då rör- och elarbeten för inomhus- och utomhusenheterna är avslutade, leta efter köldmedelsläckage, lösa anslutningar för nätström eller styrström och felaktig polaritet och att det inte finns någon urkoppling av en fas i matningsspänningen.
- Använd en 500 volt megohmmeter för att kontrollera att motståndet mellan nätströmsuttag och jord är minst 1,0 MΩ.

- Utför ej denna test på styrströmsledningarnas uttag (lågspänningskretsar).
⚠ Varning:
Använd ej luftkonditioneringen om isoleringsmotståndet är mindre än 1,0 MΩ.

7.2. Provkörning

7.2.1. Med ledningsdragen fjärrkontroll.

- Du måste alltid ha läst bruksanvisningen före testkörning. (Detta gäller särskilt avsnitten om säkerhet.)

Steg 1: Slå på strömmen.

- Fjärrkontroll: Systemet går till startläget och fjärrkontrollens strömindikationslampan (grön) och texten "PLEASE WAIT" (VÄNTA) blinkar. Fjärrkontrollen kan inte användas medan lampan och meddelandet blinkar. Vänta tills meddelandet "PLEASE WAIT" (VÄNTA) har släckts innan du använder fjärrkontrollen. När strömmen har slagits till visas texten "PLEASE WAIT" (VÄNTA) i cirka 2 minuter.
- Styrenhetskort inomhus: LED 1 lyser, LED 2 lyser (om adressen är 0) eller är släckt (om adressen inte är 0), och LED 3 blinkar.
- Styrenhetskort utomhus: LED 1 (grön) och LED 2 (röd) lyser. (När systemets startsekvens har avslutats släcks LED 2.) Om utomhussystemets styrenhetskort använder en digital display visas [-] och [-] växelvis varje sekund. Om systemet inte fungerar korrekt när rutinerna i steg 2 och senare har utförts ska nedanstående orsaker kontrolleras och problemen åtgärdas om problem påvisas. (Nedanstående symptom uppstår under testkörningsläget. "Startup" (Start) i tabellen refererar till LED-displayen ovan.)

Symptom i testkörningsläge		Orsak
Fjärrkontrollens display	LED-display för UTMUHUSKORT < > indikerar digital display.	
Fjärrkontrollen visar "PLEASE WAIT" (VÄNTA) och den kan inte användas.	Efter att "startup" (start) har visats lyser endast den gröna lampan. <00>	• Efter att strömmen slagits på visas "PLEASE WAIT" (VÄNTA) i 2 minuter medan systemet startas. (Normal)
När strömmen har slagits på visas texten "PLEASE WAIT" (VÄNTA) under 3 minuter var- efter en felkod visas.	Efter att "startup" (start) har visats blinkar den gröna lampan (en gång) och den röda lampan (en gång) växelvis. <F1> Efter att "startup" (start) har visats blinkar den gröna lampan (en gång) och den röda lampan (två gånger) växelvis. <F3, F5, F9>	• Felaktig anslutning av plintblock för utomhussystemet (R, S, T och S ₁ , S ₂ , S ₃ .) • Ett avbrott har inträffat vid kontakten till utomhusenhetens skydds-enhet.
Ingen information visas på displayen även om fjärrkontrollens driftomkopplare har slagits till. (Driftlampan tänds inte.)	Efter att "startup" (start) har visats blinkar den gröna lampan (två gånger) och den röda lampan (en gång) växelvis. <EA, Eb> Efter att "startup" (start) har visats lyser endast den gröna lampan. <00>	• Felaktig kabelanslutning mellan inomhusenheten och utomhusenheten (fel polaritet för S ₁ , S ₂ , S ₃ .) • Kortslutning i fjärrkontrollens signalledare. • Det finns ingen utomhusenhet på adressen 0. (En annan adress än 0 används.) • Avbrott i fjärrkontrollens signalledare.
Displayinformationen visas men släcks snart igen även om fjärrkontrollen används.	Efter att "startup" (start) har visats lyser endast den gröna lampan. <00>	• Efter att funktionsväljaren har avbrutits kan systemet inte användas under cirka 30 sekunder. (Normal)

Steg 2: Sätt fjärrkontrollen i läget "Test run" (Testkörning).

- 1 Välj "Test run" (Testkörning) från Servicemeny och tryck på [VÄLJ]. (Fig. 7-1)
- 2 Välj "Test run" (Testkörning) från menyn Testkörning och tryck på [VÄLJ]. (Fig. 7-2)
- 3 Testkörningen startar och skärmbilden Testkörning visas.

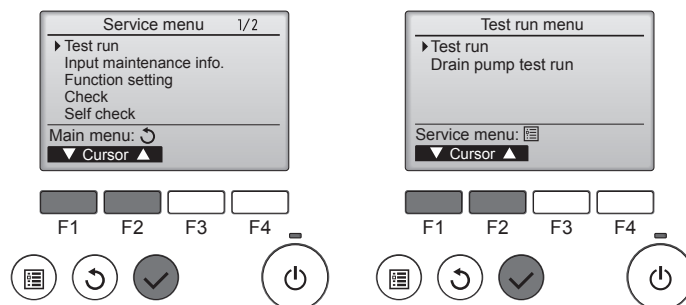


Fig. 7-1

Fig. 7-2

Steg 3: Utför testkörningen och kontrollera luftflödestemperaturen och den automatiska fläktbladsfunktionen.

- 1 Tryck på [F1] när du vill växla funktionsläge. (Fig. 7-3)
Kylläge: Kontrollera att sval luft blåser ut från enheten.
Värmeläge: Kontrollera att varm luft blåser ut från enheten.
- 2 Tryck på [VÄLJ] så att skärmbilden Bladfunktion visas, och tryck sedan på [F1] och [F2] för att kontrollera den automatiska fläktbladsfunktionen. (Fig. 7-4)
Tryck på [TILLBAKA] när du vill återgå till skärmbilden Testkörning.

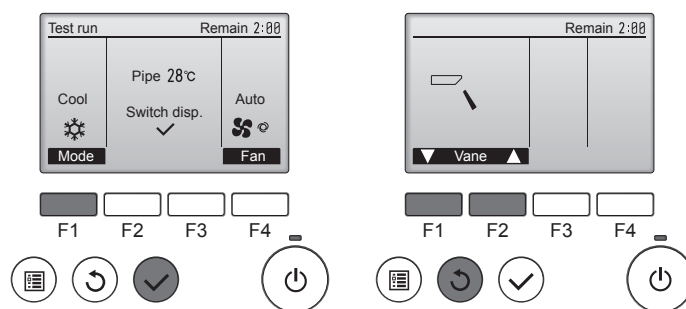


Fig. 7-3

Fig. 7-4

7. Provkörning

Steg 4: Kontrollera funktionen hos utomhusenhetens fläkt.

Varvtalet hos utomhusenhetens fläkt anpassas efter enhetens prestanda. Fläkten roterar med lågt varvantal beroende på omgivningsluften, och den fortsätter sedan rotera med det låga varvtalet såvida inte prestandan är otillräcklig. Om det är blåsigt utomhus kan fläkten sluta rotera eller rotera i motsatt riktning, men detta är inte något problem.

Steg 5: Stoppa testkörningen.

① Tryck på [PÅ/AV] när du vill stoppa testkörningen. (Menyn Testkörning visas.)

Obs! Se nedanstående tabell om ett fel visas på fjärrkontrollen.

LCD	Beskrivning av felet	LCD	Beskrivning av felet	LCD	Beskrivning av felet
P1	Fel i insugsgivare	P9	Fel i rörgivare (dubbelvägigt rör)	E0 – E5	Kommunikationsfel mellan fjärrkontrollen och inomhusenheten
P2	Fel i rörgivare (vätskerör)	PA	Läckagefel (köldmedelssystem)		
P4	Kontakten till tömningsflottörbrytaren har urkopplats (CN4F)	Pb	Fel på inomhusenhetens fläkt		
		PL	Onormal köldmedelskrets		
P5	Tömningens överrinningskydd har aktiverats	FB	Fel i inomhusenhetens styrenhetskort	E6 – EF	Kommunikationsfel mellan inomhusenheten och utomhusenheten
P6	Frys-/överhettningsskyddet har aktiverats	U*, F* (* visar ett alfanumeriskt tecken undantaget FB.)	Fel i utomhusenheten. Se utomhusenhetens kopplingsschema.		
P8	Rörtemperaturfel				

Se nedanstående tabell för uppgifter om LED-displayen (LED 1, 2, och 3) på inomhusenhetens styrenhetskort.

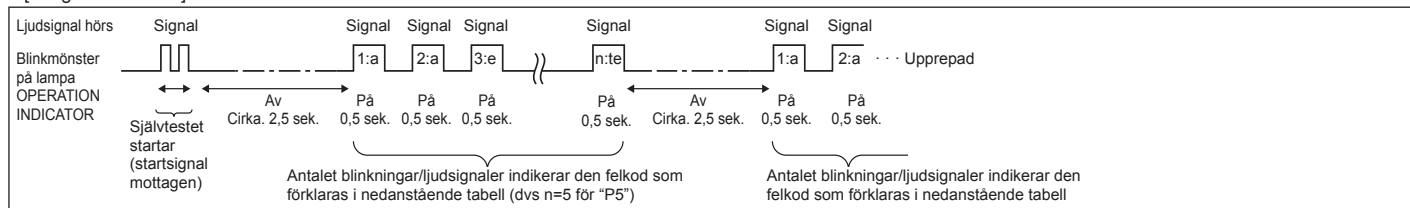
LED 1 (strömförsörjning till mikrodata)	Visar om reglerströmmen matas fram. Kontrollera att den här lysdioden alltid lyser.
LED 2 (strömförsörjning till fjärrkontrollen)	Visar om ström matas fram till den kabelanslutna fjärrkontrollen. Lysdioden tänds endast för den inomhusenhet som är ansluten till utomhusenheten som har adressen 0.
LED 3 (kommunikation mellan inomhus- och utomhusenhet)	Visar om inomhus- och utomhusenheterna kommunicerar. Kontrollera att den här lysdioden alltid blinkar.

7.3. Självtest

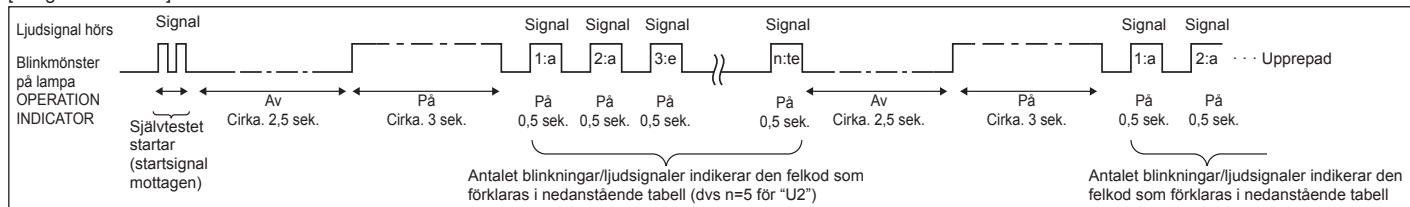
■ Se installationsanvisningarna som medföljer varje fjärrkontroll för detaljerad information.

• Se följande tabeller för information om kontrollkoderna. (Trådlös fjärrkontroll)

[Utsignalmönster A]



[Utsignalmönster B]



7. Provkörning

[Utsignalmönster A] Felet avkänt av inomhusenheten

Trådlös fjärrkontroll	Ledningsdragen fjärrkontroll	Symptom	Kommentar
Signal ljuder / lampan OPERATION INDICATOR blinkar (antal gånger)	Kontrollkod		
1	P1	Fel på inloppsgivare	
2	P2	Rör (TH2), givarfel	
	P9	Rör (TH5), givarfel	
3	E6, E7	Kommunikationsfel mellan inom-/utomhusenheterna	
4	P4	Fel på dräneringsgivare/Flottörströmbrytare öppen	
5	P5	Fel på dräneringspump	
	PA	Forcerat kompressorfel	
6	P6	Drift av frostvakt/överhettningssvakt	
7	EE	Kommunikationsfel mellan inom-/utomhusenheterna	
8	P8	Fel på rörtemperatur	
9	E4	Fel på mottagningssignal i fjärrkontrollen	
10	—	—	
11	Pb	Fel på inomhusenhetens fläkt	
12	Fb	Systemfel i styrsystem inomhusenhet (minnesfel, etc)	
14	PL	Onormal köldmedelskrets	
Inget ljud	E0, E3	Fjärrkontroll, överföringsfel	
Inget ljud	E1, E2	Fel på fjärrkontrollens styrkort	
Inget ljud	— — — —	Saknas	

[Utsignalmönster B] Felet avkänt av annan enhet än inomhusenheten (utomhusenheten etc.)

Trådlös fjärrkontroll	Ledningsdragen fjärrkontroll	Symptom	Kommentar
Signal ljuder / lampan OPERATION INDICATOR blinkar (antal gånger)	Kontrollkod		
1	E9	Kommunikationsfel mellan inom-/utomhusenheterna (sändningsfel) (utomhusenhet)	För information se LED-displayen på utomhusenhetens styrkort.
2	UP	Avbrott, strömrusning i kompressor	
3	U3, U4	Avbrott/kortslutning av utomhusenhetens termistor	
4	UF	Avbrott, strömrusning i kompressor (när kompressorn är låst)	
5	U2	Onormalt hög utmatningstemperatur/49C aktiverades/otillräckligt med köldmedel	
6	U1, Ud	Onormalt högt tryck (63H aktiverades)/Överhettning av vakter	
7	U5	Onormal temperatur på kylfläns	
8	U8	Fläktvakt stoppat fläkt i utomhusenhet	
9	U6	Avbrott, strömrusning i kompressor/Onormalitet i effektmodul	
10	U7	Onormalitet av supervärme på grund av för låg utmatningstemperatur	
11	U9, UH	Onormalitet som överspänning eller korslutning och onormal synkronsignal till huvudkrets/fel på strömsensor	
12	—	—	
13	—	—	
14	Övrigt	Andra fel (Se teknisk manual för utomhusenheten.)	

*1 Om signalen ljuder igen efter de första två signalerna som bekräftar att signalen för självtestet togs emot och lampan OPERATION INDICATOR inte tänds, finns det inga felregistreringar.

*2 Om signalen ljuder kontinuerligt "pip, pip, pip (0,4 + 0,4 + 0,4 sek.)" efter de första två signalerna som bekräftar att signalen för självtestet togs emot, är den angivna köldmedelsadressen fel.

- På trådlös fjärrkontroll
Det konstanta larmljudet från inomhusenhetens mottagande del.
Driftslampan blinkar
- På ledningsdragen fjärrkontroll
Kontrollkod visas på LCD-displayen.

7. Provkörning

- Om enheten inte fungerar som den ska efter ovanstående initiala körning, använd tabellen nedan för felsökning.

Symptom		Cause	
	Ledningsdragen fjärrkontroll	LED 1, 2-indikator (PCB på utomhusenhet)	
PLEASE WAIT	I cirka två minuter efter att strömmen slogs på	Efter LED 1 tänds LED 2, LED 2 slocknar, sedan lyser endast LED 1. (Normal drift)	• Fjärrkontrollen fungerar inte under de cirka två minuter som följer efter att strömmen slagits på: detta på grund av systemstart. (Normal drift)
PLEASE WAIT → Felkod	När cirka två minuter har gått efter att strömmen slogs på	Endast LED 1 lyser. → LED 1, 2 blinkar.	• Utomhusenhetens skyddsanordning har inte kopplats in. Motfas- eller öppen faskoppling för utomhusenhetens kopplingsplint (L1, L2, L3)
Displaymeddelanden visas inte trots att driftsströmbrytaren är PÅ (strömlampan tänds inte).		Endast LED 1 lyser. → LED 1 blinkar två gånger, LED 2 blinkar en gång.	• Felaktig ledningsdragnings mellan inomhus- och utomhusenheterna (felaktig polaritet för S1, S2, S3) • Kortsluten fjärrkontrollsladd

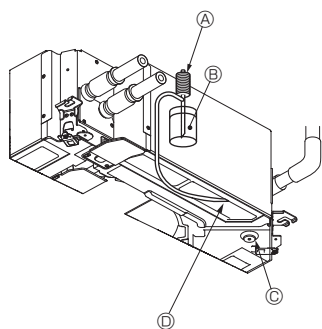
Följande sker på en trådlös fjärrkontroll med ovanstående problem.

- Ingen signal från fjärrkontrollen tas emot.
- OPERATION-lampan blinkar.
- Larmet ger ifrån sig ett kort tjutande ljud.

Obs:

Drift är ej möjlig i ca. 30 sekunder efter avbrutet funktionsval. (Normal drift)

För beskrivning av lysdioder (LED 1, 2, 3) på inomhusenhetens styrenhet, se sidan 186.



- Ⓐ Pump för vattentillförsel
- Ⓑ Vatten (omkring 1000cc)
- Ⓒ Dräneringsplugg
- Ⓓ Håll vattnet genom utloppet
 - Se till att inte spraya vatten in i dräneringspumpmekanismen.

Fig. 7-5

7.4. Kontroll av dräneringen (Fig. 7-5)

- Se till att vattnet töms ut riktigt, och att inget vatten läcker från fogarna.

När elektriskt arbete är utfört.

- Håll vatten under provkörningens avkylning (se 7.2.) och kontrollera.

När elektriskt arbete inte är utfört.

- Håll vatten under nöddrift och kontrollera.

* Kondensvattenbehållaren och fläkten aktiveras simultant när enfas 220-240 V sätts på S1 och S2 på kopplingsplinten efter det att kontakten (SWE) på styrenhetskortet i elkompentlådan sätts på ON.

Se till att växla tillbaka till föregående läge efter arbete.

8. Systemkontroll

Se installationsanvisningarna för utomhusenheten.

9. Installation av grill

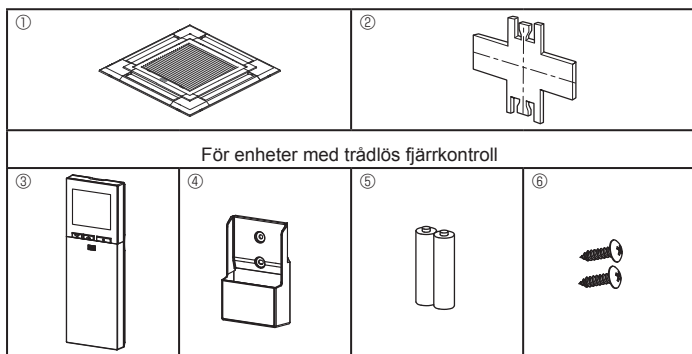


Fig. 9-1

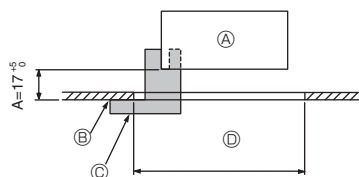


Fig. 9-2

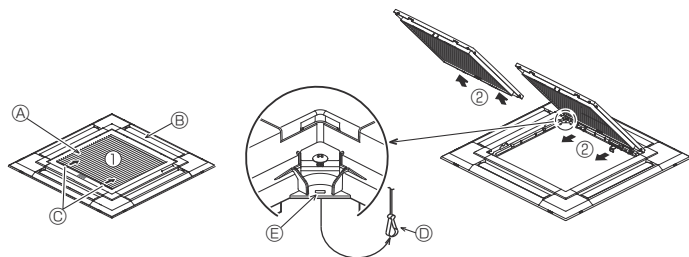


Fig. 9-3

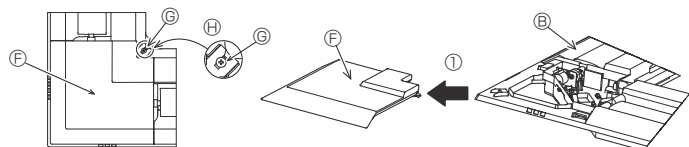


Fig. 9-4

	4-vägs	3-vägs
Riktningmönster för utblåsning	1 mönster: Fabriksinställning 	4 mönster: Fabriksinställning Ett luftutlopp helt stängt
Riktningmönster för utblåsning	2-vägs 6 mönster: Två luftutlopp helt stängda 	

Tabell 1

<Kroken är i lyft position>

<Kroken är i nedfälld position>



Fig. 9-5

9.1. Kontroll av innehåll (Fig. 9-1)

- Denna sats innehåller denna manual samt följande delar.

	Tillbehörets namn	Antal	Anmärkning
①	Grill	1	950 × 950 (mm)
②	Installationstolk	1	(Indelat i 4 delar)
③	Trådlös fjärrkontroll	1	för PLP-6EALM
④	Fjärrkontrollens hållare	1	Ingår i enheter med trådlös fjärrkontroll.
⑤	LR6 AA-batterier	2	Ingår i enheter med trådlös fjärrkontroll.
⑥	3,5 × 16 självgående skruvar	2	Ingår i enheter med trådlös fjärrkontroll.

9.2. Förberedelser för fäste av grillen (Fig. 9-2)

- Använd tolken ② som medföljer satsen för att justera och kontrollera placeringen av huvudenheten i förhållande till takytan. Om huvudenheten inte är korrekt placerad i förhållande till takytan kan luftläckage uppstå eller kondens samlas.
- Se till att öppningen i taket ligger inom följande toleransvärden: 860 × 860 – 910 × 910
- Se till att steg A utförs inom 17-22 mm. I annat fall kan skador uppstå.
 - Ⓐ Huvudenhet
 - Ⓑ Takyta
 - Ⓒ Installationstolk ② (isatt i huvudenheten)
 - Ⓓ Takets öppningsmått

9.2.1. Demontering av insugsgrillen (Fig. 9-3)

- Skjut armarna i den riktning som visas på pilen ① för att öppna grillen.
- Lås upp haken som säkrar grillen.
 - * Koppla inte loss haken som håller insugsgrillen.
- Med insugsgrillen i läge "öppen", ta bort gångjärnen på insugsgrillen från grillen som visas med pilen ②.

9.2.2. Demontering av hörnpanel (Fig. 9-4)

- Lossa de 4 skruvarna på hörnpanelen. Skjut hörnpanelen i pilens riktning ① i figuren och ta bort hörnpanelen.

[Fig.9-3] [Fig.9-4]

- Ⓐ Insugsgrillen
- Ⓑ Grill ①
- Ⓒ Armar i insugsgrill
- Ⓓ Grillhake
- Ⓔ Hål för grillhake
- Ⓕ Hörnpanel
- Ⓖ Skruv
- Ⓗ Detalj

9.3. Val av luftutlopp

För denna grill kan utblåsriktningen ha 11 mönster. Dessutom, genom att ställa in fjärrkontrollen på lämpligt sätt kan du justera luftflödet och hastigheten. Välj önskade inställningar från Tabell 1, beroende på hur omgivningen ser ut där enheten ska installeras. (Fler än två riktningar måste väljas.)

- 1) Bestäm vilket mönster utblåset ska ha.
- 2) Se till att göra lämpliga inställningar på fjärrkontrollen för antalet luftutlopp och takhöjden vid vilken huvudenheten ska installeras. (Se sidan 184)

Obs:

- Vid ändring av antal riktningar krävs en ridåplåt för luftutlopp, vilken finns som tillval.
- Välj inte 2 riktningar i varm och fuktig miljö. (Kondensbildning kan uppkomma.)

9.4. Installation av grillen

9.4.1. Förberedelser (Fig. 9-5)

- Fäll upp 2 krokarna på gallret.

9. Installation av grill

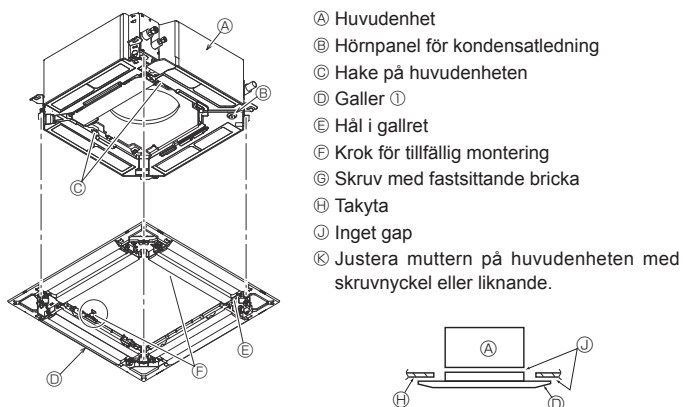


Fig. 9-6

< Grillret tillfälligt monterat >

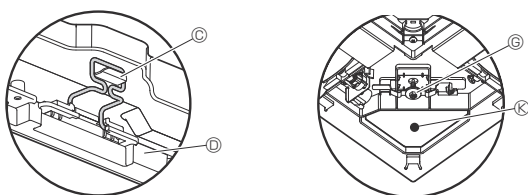


Fig. 9-7



Fig. 9-8

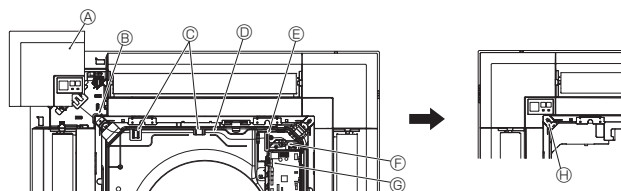


Fig. 9-9

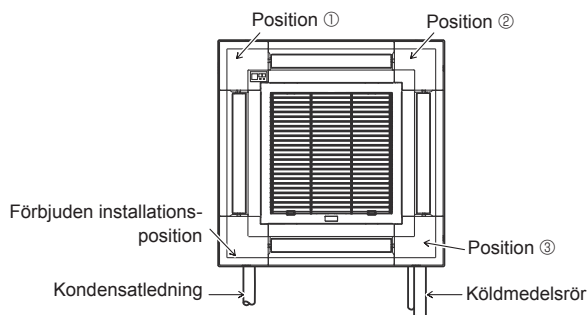


Fig. 9-10

9.4.2. Tillfällig montering av galleret (Fig. 9-6)

- Placera gallerhörnet med hål mot hörnpanelen för kondensatledning på huvudenheten och sammanfoga dem tillfälligt genom att fästa gallerets krok på haken på huvudenheten.

9.4.3. Fastsättning av galleret

- Sätt fast galleret på huvudenheten genom att dra åt de förmonterade skruvarna. (Fig. 9-6)
- Obs:
Kontrollera att det inte finns några gap mellan huvudenheten och galleret eller mellan galleret och takytan. (Fig. 9-6)

Om det finns ett gap mellan galleret och taket:

När galleret är monterat, justera försiktigt huvudenhetens monteringshöjd så att gapet försvinner.

⚠ Försiktighet:

- Skruven ska dras åt till åtdragningsmoment 2,8 till 3,6 N·m. Använd aldrig slående skruvdragare.
- Efter åtdragning av skruven kontrollerar du att de två gallerkrokarna (Fig. 9-6) låses på krokarna på huvudenheten.

9.4.4. Ledaranslutning (Fig. 9-8)

- Lossa de 2 skruvar som håller eldosans lock på huvudenheten och skjut undan locket för att öppna.
- Dra ledaren från sidan av eldosan.
- Anslut en kontakt för spjällmotorn (vit, 20-polig) till CNV-anslutningen (vit) på huvudenhetens styrkort.
- Ledare som leder bort från galleret ska hållas samman utan slack med en klämma vid genomföringen till eldosan.

9.4.5. Montering av signalmottagare (Fig. 9-9)

- Dra ledaren (vit, 9-polig) till hörnpanelen för signalmottagaren från sidan av eldosan på huvudenheten.
- Anslut till CN90 (vit) på styrkortet.
- Se till att ledaren från hörnpanelen för signalmottagaren dras genom munstyckets hake.
- Överskjutande ledare ska hållas samman utan slack med en klämma vid genomföringen till eldosan.
- Sätt tillbaka locket på eldosan och lås med 2 skruvar.

Obs:

Se till att inga ledare kläms av eldosans lock.

Montera hörnpanelen för signalmottagaren på panelen och sätt fast med skruven. Hörnpanelen för signalmottagaren kan inte monteras på samma sida av huvudenheten som kondensatledningen. (Se Fig. 9-10)

- Ⓐ Hörnpanel för signalmottagare
- Ⓑ Gallerhål (för ledare)
- Ⓒ Hake för munstycke
- Ⓓ Ledare
- Ⓔ Klämma
- Ⓕ Kabelband (säkra ledaren).
- Ⓖ CN90 på styrkort
- Ⓗ Skruv

9. Installation av grill

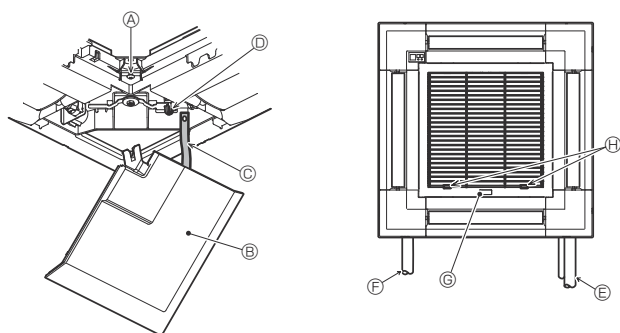


Fig. 9-11

9.5. Installation av insugsgillren (Fig. 9-11)

Obs:

Vid återmontering av hörnpaneler (försedda med säkerhetsband) ska säkerhetsbandet andra ände fästas i galleret som illustrationen visar.

* Om hörnpanelerna inte är säkert fastsatta kan de falla av när huvudenheten är i drift.

• Genomför proceduren i "9.2. Förberedelse för fäste av galleret" i omvänd ordning för att installera luftintagsgalleret och hörnpanelen.

• Intagsgalleret kan placeras i den riktning kunden önskar.

Ⓐ Skruv (4 × 16)

Ⓑ Hörnpanel

Ⓒ Säkerhetsband

Ⓓ Krok

Ⓔ Köldmedierör

Ⓕ Kondensatledning

Ⓖ Företagslogotyp

* Montering i valfri riktning är möjlig.

Ⓗ Initial position för intagsgallerets spakar

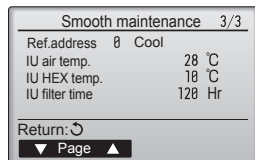
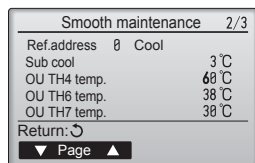
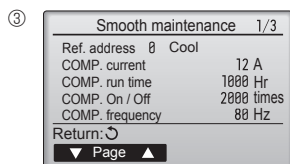
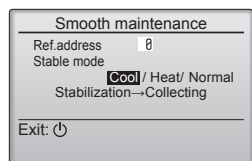
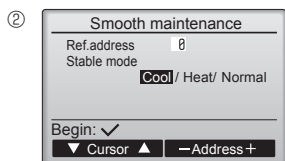
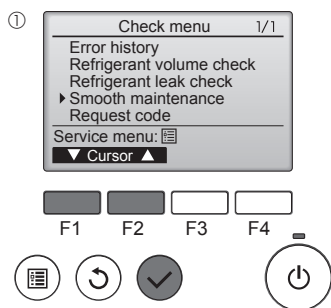
* Även om klämmorna kan monteras i endera av 4 positioner, rekommenderas den konfiguration som visas här. (Det är inte nödvändigt att ta bort intagsgalleret när underhåll utförs på huvudenhetens eldosa.)

10. Funktion för enkelt underhåll

Underhållsdata, såsom inomhus-/utomhusenhetens värmeväxlartemperatur och kompressorns strömförbrukning, kan visas med "Smooth maintenance" (Jämnt underhåll).

* Funktionen kan inte användas vid testkörning.

* Funktionen kanske inte stöds av alla modeller. Detta beror på hur de fungerar i kombination med utomhusenheten.



• Välj "Service" på Main menu (Huvudmenyn) och tryck sedan på knappen [VÄLJ].

• Välj "Check" med knappen [F1] eller [F2] och tryck sedan på knappen [VÄLJ].

• Välj "Smooth maintenance" (Jämnt underhåll) med knappen [F1] eller [F2] och tryck sedan på knappen [VÄLJ].

Inställning av enskilda objekt.

• Välj vilket objekt som ska ändras med knappen [F1] eller [F2].

• Välj önskad inställning med knappen [F3] eller [F4].

Inställningen "Ref. address" "0" - "15"
Inställningen "Stable mode" (Stabil drift) "Cool" (Kyla) / "Heat" (Värme) / "Normal"

• Tryck på knappen [VÄLJ] så startas det markerade läget.

* Stable mode (Stabil drift) tar ungefär 20 minuter.

Funktionsdata visas.

Kompressorns ackumulerade drifttid (COMP run. (KOMP. drifttid)) är en 10-timmarsenhet och antalet gånger som kompressorn har körts (COMP. On/Off (KOMP. Av/På)) är en 100-tidsenhet (decimaler visas inte)

Navigera mellan menyerna

- För att återgå till Huvudmenyn..... knappen [MENY]
- För att återgå till föregående meny knappen [TILLBAKA]

Innhold

1. Sikkerhetsforholdsregler.....	192	6. Elektrisk arbeid.....	198
2. Monteringssted.....	193	7. Testkjøring.....	204
3. Montere innendørsenheten.....	194	8. Systemstyring.....	207
4. Montere kjølemiddelrør.....	196	9. Montere gitteret.....	208
5. Arbeid med avløpsrør.....	197	10. Enkel vedlikeholdsfunksjon.....	210

Merk:





Frasen "kablet fjernkontroll" i denne monteringshåndboken henviser kun til PAR-32MAA.

Hvis du trenger informasjon om den andre fjernkontrollen, kan du se enten installasjonshåndboken eller veiledningen for første innstillinger som er inkludert i disse eskene.

1. Sikkerhetsforholdsregler

- ▶ Les alle "Sikkerhetsforholdsreglene" før du monterer enheten.
- ▶ "Sikkerhetsforholdsreglene" har noen svært viktige poenger angående sikkerhet. Sørg for at du følger dem.
- ▶ Rapportert til din strømleverandør eller innhent samtykke før du kobler utstyret til strømforsyningen.

BETYDNINGEN TIL SYMBOLER PÅ ENHETEN

	ADVARSEL (Brannfare)	Dette merket gjelder kun R32-kjølemiddel. Kjølemiddeltypen er skrevet på navneplaten til utendørsenheten. Hvis kjølemiddeltypen er R32, bruker denne enheten et lett antennelig kjølemiddel. Hvis kjølemiddelet lekker og kommer i kontakt med flammer eller en varm del, dannes det skadelig gass og det er fare for brann.
	Les BRUKERHÅNDBOKEN nøye før bruk.	
	Servicepersonell må lese BRUKERHÅNDBOKEN og MONTERINGSHÅNDBOKEN nøye før bruk.	
	Du finner mer informasjon i BRUKERHÅNDBOKEN, MONTERINGSHÅNDBOKEN og lignende.	

Symboler som brukes i teksten

⚠ Advarsel:

Beskriver forholdsregler som bør tas for å forhindre fare for at brukeren blir skadet eller dør.

⚠ Forsiktig:

Beskriver forholdsregler som bør tas for å forhindre skade på enheten.

Symboler som brukes i illustrasjonene

⊕ : Indikerer hvilken del som må jordes.

⊘ : Ikke gjør dette.

Etter at monteringsarbeidet er fullført, må "Sikkerhetsforholdsregler", bruk og vedlikehold av enheten forklares kunden i henhold til informasjonen i brukerhåndboken samt gjennomføre testkjøringen for å være sikker på at anlegget fungerer som det skal. Både monteringshåndboken og brukerhåndboken må gis til, og skal beholdes av brukeren. Disse håndbøkene må gis videre til påfølgende brukere.

⚠ Advarsel:

- Les merkene som står på hovedenheten nøye.
- Be en forhandler eller autorisert tekniker om å montere, flytte eller reparere enheten.
- Brukeren må aldri prøve å reparere enheten eller å overføre den til et annet sted.
- Enheten må ikke endres.
- For monteringsarbeidet og flytting må man følge instruksene i monteringshåndboken og bruke de verktøy og røkomponenter som er spesifikt laget for å brukes med kjølemiddelet som er angitt i monteringshåndboken for utendørsenheten.
- Enheten må monteres i henhold til instruksene for å minimere risikoen for skade som følge av jordskjelv, orkan eller sterk vind. En feilmontert enhet kan falle ned og forårsake skade på eiendom eller personer.
- Enheten må monteres forsvarlig på en struktur som tåler dens vekt.
- Apparatet skal oppbevares på et godt ventilert sted der romstørrelsen tilsvarer romflaten som er angitt for bruk.
- Hvis klimaanlegget monteres i et lite eller lukket rom, må det tas tiltak for å forhindre at kjølemiddelkonsentrasjonen i rommet overskrider sikkerhetsgrensen, i tilfelle det skulle oppstå en kjølemiddellekkasje. Hvis det skulle komme lekkasje av kjølemiddel slik at konsentrasjonsgrensen overskrides, kan de oppstå skade på grunn av oksygenmangel i rommet.
- Oppbevar gassapparater, elektriske ovner eller andre brannkilder (antennelskilder) langt unna stedet der det utføres monteringsarbeid, reparasjoner eller annet arbeid på klimaanlegget. Hvis kjølemiddelet kommer i kontakt med ild, kan det bli dannet giftige gasser.
- Luft ut rommet hvis det lekker kjølemiddel under bruk. Hvis kjølemiddelet kommer i kontakt med ild, kan det bli dannet giftige gasser.
- All elektrisk arbeid må utføres av en elektriker i samsvar med lokale forskrifter og instruksene som gis i denne håndboken.
- Bruk kun spesifiserte kabler for tilkøpling. Ledningskoblinger må være sikre uten strekk på klemmekoplingene. Dessuten må tilkoblingskabler ikke skjøtes (med mindre noe annet angis i dette dokumentet). Hvis disse instruksene ikke følges, kan det føre til overoppheting eller brann.
- Ved montering eller flytting eller ved service på klimaanlegget, må kun kjølemiddeltypen som er spesifisert på utendørsenheten fylles i kjølemiddelrørene. Ikke bland den med andre kjølemidler, og ikke la det være igjen luft i rørene. Hvis det blandes luft i kjølemiddelet, kan det forårsake unormalt høyt trykk i kjølemiddelrøret, som kan føre til eksplosjon og andre farer.

Bruk av andre kjølemidler enn det som er spesifisert for systemet, vil forårsake mekanisk svikt, systemsvikt eller havari av enheten. I verste fall kan dette føre til at det blir veldig vanskelig å opprettholde produktsikkerheten.

- Apparatet skal installeres i samsvar med nasjonale installasjonsforskrifter.
- Dette apparatet er ikke beregnet på å brukes av personer (herunder barn) med reduserte fysiske eller mentale evner, eller nedsatte sansevner, eller mangel på erfaring og kunnskap, med mindre de har vært under oppsyn eller fått opplæring av bruk av apparatet av en person med ansvar for deres sikkerhet.
- Barn skal holdes under oppsyn slik at de ikke leker med apparatet.
- Dekselet under panelet med rekkeklemmer på enheten må være godt festet.
- Dersom strømforsyningskabelen er skadet, må den kun skiftes av et autorisert serviceverksted.
- Bruk kun tilbehør som er godkjent av Mitsubishi Electric, og be en forhandler eller autorisert tekniker om å montere det.
- Kontroller om det lekker kjølemiddel etter at monteringen er fullført. Hvis det lekker kjølemiddel inn i rommet og det kommer i kontakt med flammen på et varmeapparat eller bærbar komfyr, vil det bli dannet giftige gasser.
- Ikke påskynd avisingsprosessen eller rengjør apparatet på annen måte enn slik produsenten anbefaler.
- Apparatet skal oppbevares i et rom uten antennelseskilder i kontinuerlig drift (f.eks.: åpen ild, et gassapparat i bruk eller en elektrisk ovn som er i bruk).
- Må ikke perforeres eller brennes.
- Vær oppmerksom på at kjølemiddelet kanskje er luktfritt.
- Rørene må beskyttes mot fysisk skade.
- Monteringen av rør må holdes til et minimum.
- Nasjonale regler for gass skal følges.
- Hold eventuelle påkrevde lufteåpninger fri for hindringer.
- Ikke bruk lodde metall for lav temperatur ved hardlodding på kjølemiddelrørene.
- Ved hardlodding er det viktig å sørge for god ventilering. Kontroller at det ikke finnes farlige eller lett antennelige materialer i nærheten. Når arbeidet gjøres i et lukket eller lite rom eller på et liknende sted, må du kontrollere at det ikke er noen kjølemiddelekkasjer før du utfører arbeidet. Hvis det lekker ut kjølemiddel som blir liggende, kan det antennes eller det kan dannes giftige gasser.

1. Sikkerhetsforholdsregler

1.1. Før montering (miljø)

⚠ Forsiktig:

- Ikke bruk enheten i et uvanlig miljø. Hvis klimaanlegget monteres i områder som er utsatt for damp, eterisk olje (inklusive maskinolje) eller svovelgass, eller i områder som er utsatt for høyt saltinnhold som ved sjøen, kan ytelsen bli betydelig redusert og interne deler kan bli skadet.
- Ikke monter enheten der det kan lekke, produseres, flyte eller akkumuleres brennbar gass. Hvis brennbar gass akkumuleres rundt enheten, kan det føre til brann eller eksplosjon.
- Ikke ha mat, planter, kjæledyr i bur, kunst eller presisjonsinstrumenter direkte i luftstrømmen fra innendørsenheten eller for nær enheten ettersom disse kan ta skade av temperaturforandringer eller vann som drypper.
- Når luftfuktigheten i rommet overstiger 80 %, eller når avløpet er tilstoppet, kan det dryppe vann fra innendørsenheten. Ikke monter innendørsenheten der slik drypping kan forårsake skade.
- Ved montering av enheten på sykehus eller kontor, må du være forberedt på støv og elektronisk interferens. Vekselrettere, husholdningsapparater, høyfrekvens medisinsk utstyr og radiokommunikasjonsutstyr kan forårsake at klimaanlegget får funksjonsfeil eller svikter. Klimaanlegget kan også påvirke medisinsk utstyr, forstyrre medisinsk pleie og kommunikasjonsutstyr ved å skade visningskvaliteten på skjermer.

1.2. Før montering eller flytting

⚠ Forsiktig:

- Vær meget forsiktig ved transport av enhetene. Det trengs to eller flere personer til å håndtere enheten ettersom den veier 20 kg eller mer. Ikke ta tak i emballasjebåndene. Bruk vernehansker ettersom du kan skade hendene på ribbene eller andre deler.
- Sørg for å kaste emballasjen på en forsvarlig måte. Emballasjemateriale, som spiker eller andre deler av metall eller tre, kan forårsake stikksår eller andre skader.
- Det er nødvendig med varmeisolasjon på kjølemiddelrøret for å forhindre kondens. Hvis kjølemiddelrøret ikke er godt nok isolert, vil det dannes kondens.
- Legg termisk isolasjon på rørene for å unngå kondens. Hvis avløpet er feil montert, kan det føre til vannlekkasje og skade på tak, gulv, møbler og andre eiendeler.
- Ikke vask klimaanlegget med vann. Det kan føre til elektrisk støt.
- Stram alle kragemuttere i henhold til spesifikasjon med en momentnøkkel. Kragemutteren kan sprekke over tid hvis den strammes for mye.
- Hvis enheten er i gang over lengre tid når luften over taket er ved høy temperatur / høy luftfuktighet (duggpunkt over 26 °C), kan duggkondens bli produsert i innendørsenheten eller i takmaterialene. Ved bruk av enhetene i denne tilstanden, må du legge på isolasjonsmateriale (10-20 mm) over hele overflaten av enheten og takmaterialene for å unngå duggkondens.

1.3. Før elektrisk arbeid

⚠ Forsiktig:

- Husk å montere vernebrytere. Hvis de ikke monteres, kan det føre til elektrisk støt.
- Bruk standard kabler med tilstrekkelig kapasitet som strømledninger. Hvis ikke, kan det føre til kortslutning, overoppheting eller brann.
- Ikke ha strekk i kablene ved montering av strømledninger.
- Husk å jorde enheten. Hvis enheten ikke er skikkelig jordet, kan det føre til elektrisk støt.
- Bruk vernebrytere (jordfeilbryter, isoleringsbryter (+B-sikring) og vernebryter i støpt hus) med den spesifiserte kapasiteten. Hvis vernebryterkapasiteten er større enn den spesifiserte kapasiteten, kan det føre til svikt eller brann.

1.4. Før testkjøringen starter

⚠ Forsiktig:

- Slå på hovedstrømbryteren minst 12 timer før anlegget tas i bruk. Hvis du starter kjøringen umiddelbart etter å ha slått på strømbryteren, kan det føre til alvorlig skade på interne deler.
- Før bruk må du kontrollere at alle paneler, vern og andre beskyttende deler er korrekt montert. Deler som roterer, er varme eller har høy spenning kan forårsake personskade.
- Ikke bruk klimaanlegget uten at luftfilteret er på plass. Hvis luftfilteret ikke er montert, kan det samles støv slik at anlegget svikter.
- Brytere må ikke berøres med våte hender. Det kan føre til elektrisk støt.
- Ikke berør kjølemiddelrørene med bare hender under bruk.
- Vent i minst fem minutter før du slår av hovedstrømbryteren etter å ha slått av anlegget. Hvis ikke, kan det føre til vannlekkasje eller funksjonssvikt.

2. Monteringssted

Se monteringshåndboken for utendørsenheten.

3. Montere innendørsenheten

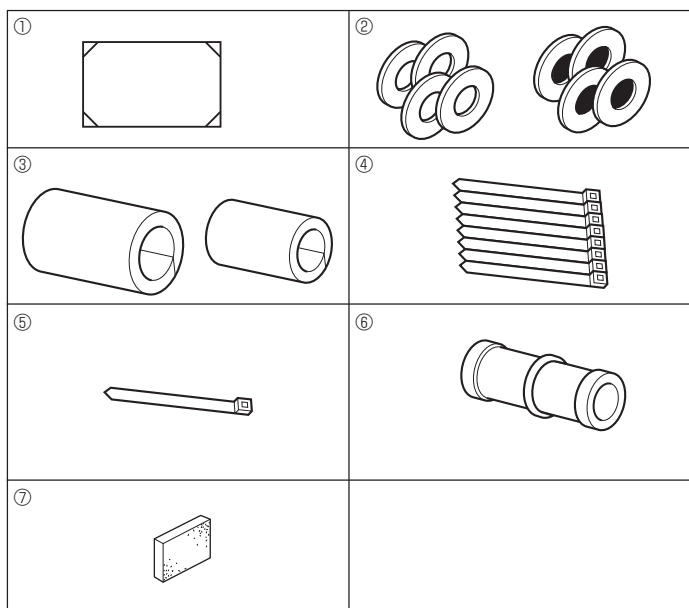


Fig. 3-1

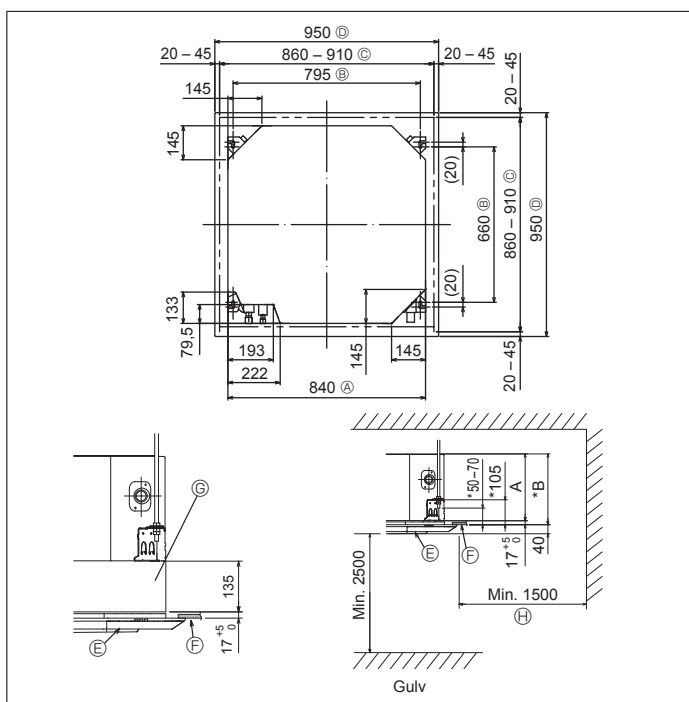


Fig. 3-2

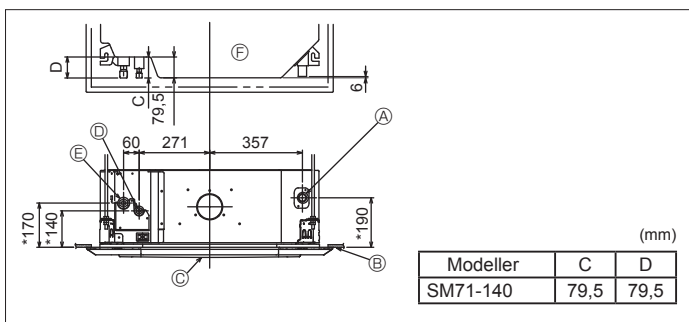


Fig. 3-3

3.1. Kontroller tilbehøret for innendørsenheten (Fig. 3-1)

Innendørsenheten skal leveres med følgende tilbehør.

	Tilbehørets navn	Antall
①	Installasjonsmal (toppen av pakken)	1
②	Skiver (med isolasjon)	4
	Skiver (uten isolasjon)	4
③	Rørdeksel (for skjøt på kjølemiddelrør)	
	Liten diameter	1
	Stor diameter	1
④	Bånd (stort)	8
⑤	Bånd (lite)	1
⑥	Avløpsmuffe	1
⑦	Isolasjon	1

3.2. Takåpninger og installasjonssteder for opphengsbolt (Fig. 3-2)

⚠ Forsiktig:

Monter innendørsenheten minst 2,5 m over gulv- eller hellingsnivå.

For apparater som ikke er tilgjengelige for allmennheten.

• Bruk installasjonsmalen (toppen av pakken) og måleren (følger med gitteret som tilbehør) og lag en åpning i taket, slik at hovedenheten kan monteres som vist i diagrammet. (Metoden for å bruke malen og måleren vises.)

* Før du bruker den, må du kontrollere dimensjonene på malen og måleren, fordi de endres på grunn av svingninger i temperatur og luftfuktighet.

* Dimensjonene på takåpningen kan reguleres innenfor området vist i Fig. 3-2; så sentrer hovedenheten i åpningen i taket, mens du påser at de respektive motsatte sidene på alle sider av klaringen mellom dem blir identiske.

• Bruk M10 (3/8")-bærebolter.

* Opphengsbolter må anskaffes lokalt.

• Monter dem forsvarlig og sørg for at det ikke er noen klaring mellom takpanelet og gitteret, og mellom hovedenheten og gitteret.

- Ⓐ Utvidelsen av hovedenheten
- Ⓑ Boltens gjengestigning
- Ⓒ Takåpning
- Ⓓ Utvidelsen av gitteret
- Ⓔ Gitter
- Ⓕ Tak
- Ⓖ Flerfunksjonsramme (ekstrautstyr)
- Ⓗ Hele omkretsen

* Merk at avstanden mellom enhetens takpanel og takplaten osv. må være minst 7 mm.

* Når det monteres flerfunksjonsramme (ekstrautstyr), må det legges 135 mm til dimensjonene som vises på figuren.

Modeller	A	B
SM71	241	258
SM100-140	281	298

3.3. Plassering av kjølemiddel- og avløpsrør for innendørsenheten (Fig. 3-3)

Tall som er merket med * i tegningen viser dimensjonene til hovedenheten uten flerfunksjonsramme (ekstrautstyr).

- Ⓐ Avløpsrør
- Ⓑ Tak
- Ⓒ Gitter
- Ⓓ Kjølemiddelrør (væske)
- Ⓔ Kjølemiddelrør (gass)
- Ⓕ Hovedenhet

* Når det monteres flerfunksjonsramme (ekstrautstyr), må det legges 135 mm til dimensjonene som vises på figuren.

3. Montere innendørsenheten

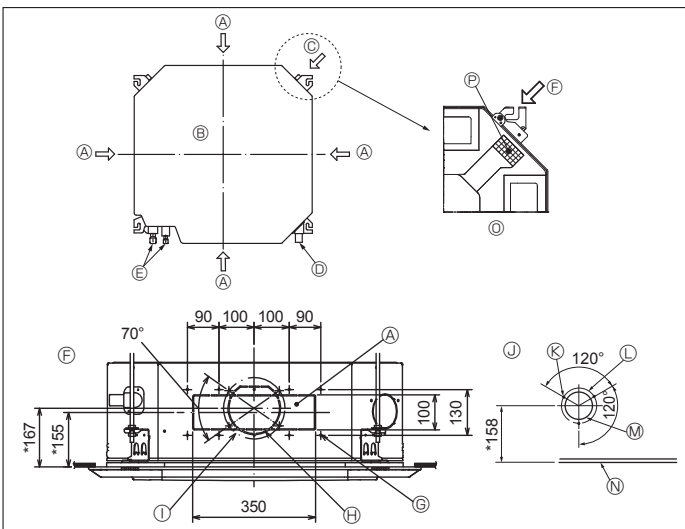


Fig. 3-4

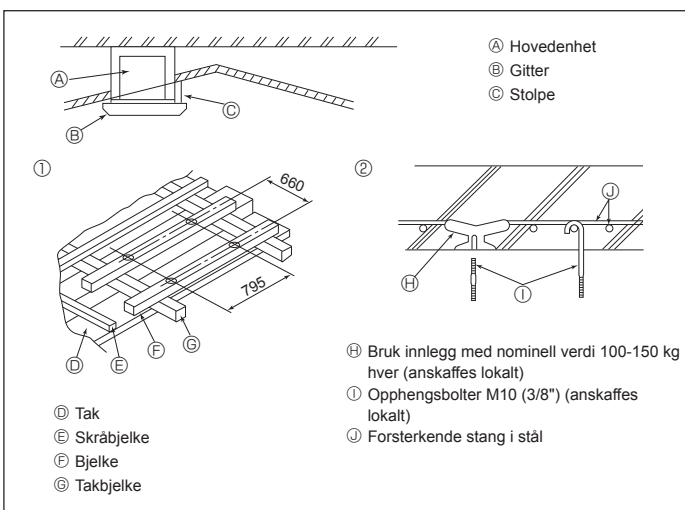


Fig. 3-5

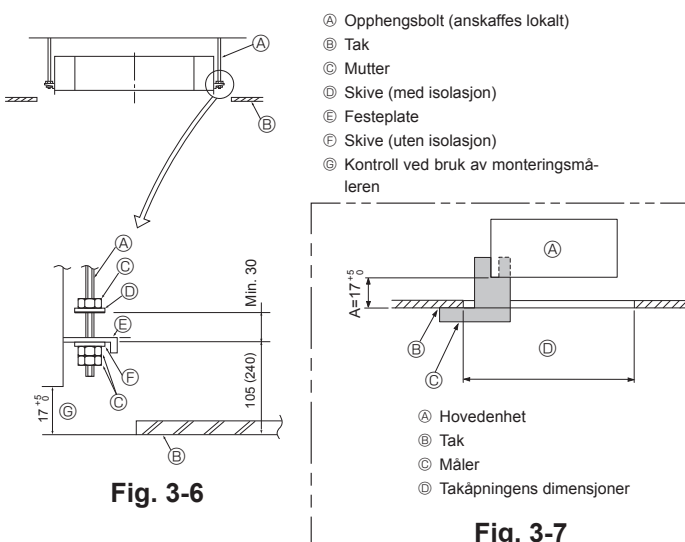


Fig. 3-6

Fig. 3-7

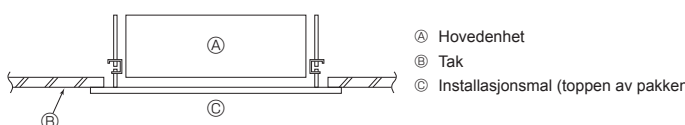


Fig. 3-8

3.4. Hull i grenkanal og inntakshull for friskluft (Fig. 3-4)

Under montering skal du bruke hullene i kanalen (utskjæring) som befinner seg på posisjonene vist i Fig. 3-4, når det er nødvendig.

- Det kan også lages et hull for friskluftsinntak for flerfunksjonsrammen (ekstrautstyr).

Merk:

- Tall som er merket med * i tegningen viser dimensjonene til hovedenheten uten flerfunksjonsramme (ekstrautstyr).
- Når det monteres flerfunksjonsramme (ekstrautstyr), må det legges 135 mm til dimensjonene som står på figuren.
- Når det monteres grenkanaler, må de isoleres tilstrekkelig. Ellers kan det danne seg kondens og drypp.
- Når det lages hull for friskluftsinntak, må du huske å fjerne isolatoren (P) som er limt på innendørsenheten.
- Når utvendig luft går direkte gjennom hovedenheten, skal inntaksluften være 5 % eller mindre av innendørsenhets luftvolum.
- Når den utvendige luften suges inn, må kanalviften og støvfilteret benyttes slik at det ikke kommer inn støv og andre partikler.
- Du finner mer informasjon i "Fresh air intake volume & static pressure characteristics" (friskluftinntaksvolum og egenskaper for statisk trykk) i P-seriens DATABOK.
- Driftsstøyen kan øke når utvendig luft suges inn i hovedenheten.

- | | | | |
|---|--|---|--|
| A | Hull for grenkanal | I | Stigning på ø175 borehull |
| B | Hovedenhet | J | Diagram av hull for friskluftinntak |
| C | Hull for friskluftinntak | K | 3-4×10 senkeskruer |
| D | Avløpsrør | L | Stigning på ø125 borehull |
| E | Kjølemiddelrør | M | ø100 skjærehull |
| F | Diagram av hull i grenkanal (vist fra begge sider) | N | Tak |
| G | 14-4×10 senkeskruer | O | Detaljert figur for fjerning av isolator |
| H | ø150 skjærehull | P | Isolasjonstest |

3.5. Opphengsstruktur (gi opphengsstedet en sterk struktur) (Fig. 3-5)

Takarbeidet vil variere med konstruksjonen av bygningen. Rådfør deg med bygningsingeniører og interiørarkitekter om detaljene.

- (1) Omfanget av takfjerning: Taket må være helt horisontalt og takfundamentet (ramme: tresprosser og sprosseholdere) må forsterkes for å beskytte taket mot vibrasjon.
- (2) Skjær ut og fjern takfundamentet.
- (3) Forsterk endene på takfundamentet der det er blitt skåret og sett inn takfundament for å sikre endene på takplatene.
- (4) Når innendørsenheten monteres på et skråtak, må det settes en stolpe mellom taket og gitteret slik at enheten monteres horisontalt.

- ① Trestrukturer
 - Bruk festebjelker (hus med én etasje) eller andre etasjes bjelker (toetasjes hus) som forsterkende elementer.
 - Trebjelker for oppheng av klimaanlegg må være stødige, og sidene må være minst 6 cm lange hvis bjelkene er separert med maks. 90 cm, og sidene må være minst 9 cm lange hvis bjelkene er separert med så mye som 180 cm. Størrelse på opphengsboltene bør være ø10 (3/8"). (Boltene følger ikke med enheten.)

- ② Jernbetongstrukturer
 - Fest opphengsboltene ved bruk av den viste metoden, eller bruk stål- eller trehengere osv. til å montere opphengsboltene.

3.6. Fremgangsmåte for oppheng av enheten (Fig. 3-6)

Heng hovedenheten som vist i diagrammet.

Tall i parentes er dimensjonene hvis det monteres flerfunksjonsramme (ekstrautstyr).

1. Delene må settes på opphengsboltene på forhånd, i rekkefølgen skiver (med isolasjon), skiver (uten isolasjon) og mutre (doble).
 - Monter skiven med demper slik at isolasjonen vender nedover.
 - Hvis det brukes øvre skiver til å henge opp hovedenheten, skal de nedre skivene (med isolasjon) og mutrene (doble) settes på senere.
2. Løft enheten til riktig høyde slik at opphengsboltene kan settes inn i festeplaten mellom skivene og deretter festes forsvarlig.
3. Når hovedenheten ikke kan stilles inn på festehullene i taket, kan den justeres med et spor i festeplaten.
 - Sørg for at A gjøres innenfor 17-22 mm. Hvis dette området overskrides, kan det føre til fall og skade. (Fig. 3-7)

⚠ Forsiktig:
 Bruk øvre halvdel av esken som beskyttelsesdeksel slik at det ikke kommer støv og rusk inn i enheten før montering av pyntedekele eller ved påføring av takmaterialer.

3.7. Bekreft posisjonen til hovedenheten og stram opphengsboltene (Fig. 3-8)

- Bruk måleren som er festet til gitteret, til å sørge for at bunnen på hovedenheten er korrekt stilt inn på åpningen i taket. Ikke glem å bekrefte dette, for ellers kan det dannes kondens og dryppe vann på grunn av luftlekkasje osv.
- Kontroller at hovedenheten er i vater horisontalt med et vater eller et vinylrør fylt med vann.
- Når du er ferdig med å kontrollere hovedenhetens posisjon, kan du stramme mutrene på opphengsboltene forsvarlig for å feste hovedenheten.
- Installasjonsmalen (toppen av pakken) kan brukes som beskyttelse for å hindre at det kommer støv inn i hovedenheten når gitteret ikke er på, eller når det skal fylles inn med takmateriale etter at montering av enheten er fullført.
- Du finner detaljer om tilpasningen i instruksene som står på installasjonsmalen. (toppen av pakken)

4. Montere kjølemiddelrør

4.1. Forholdsregler

For enheter som bruker kjølemiddelet R32/R410A

- Bruk alkylbenzenolje (liten mengde) som kjøleolje som påføres de koniske utvidede delene.
- Bruk C1220 kopperfosfor, for sømløse rør laget av kopper eller kopperlegeringer, til å kople sammen kjølemiddelrør. Bruk kjølemiddelrør som har den tykkelsen som er spesifisert i tabellen nedenfor. Sørg for at rørene er rene innvendig og ikke inneholder noen skadelige kontaminanter, som for eksempel svovelforbindelser, oksidanter, rusk eller støv.

⚠ Advarsel:

Ved montering eller flytting eller ved service på klimaanlegget, må kun kjølemiddeltypen som er spesifisert på utendørsenheten fylles i kjølemedierørene. Ikke bland den med andre kjølemidler og ikke la det være igjen luft i rørene. Hvis luft blir blandet med kjølemiddelet, kan det forårsake unormalt høyt trykk i kjølemiddelrøret, og det kan føre til eksplosjon og andre farer. Bruk av andre kjølemidler enn det som er spesifisert for systemet vil forårsake mekanisk svikt, systemsvikt eller enhetshavari. I verste fall kan dette føre til at det blir veldig vanskelig å feste produktet på en sikker måte.

ø6,35 tykkelse 0,8 mm	ø9,52 tykkelse 0,8 mm
ø12,7 tykkelse 0,8 mm	ø15,88 tykkelse 1,0 mm

- Ikke bruk rør som er tynnere enn dem spesifisert ovenfor.

4.2. Kople til rør (Fig. 4-1)

- Når det brukes kommersielt tilgjengelige rør, skal væske- og gassrør vikles inn i kommersielt tilgjengelig isolasjonsmateriale (varmebestandig til 100 °C eller mer med tykkelse på 12 mm eller mer).
- Påfør et tynt lag med kjølevæskeolje på rør og skjøtsetflater før du strammer leppemutteren.
- Bruk to nøkler til å stramme rørkoplingene.
- Bruk medfølgende isolasjonen for kjølemiddelrør til å isolere koplingene på inndørsenheten. Isolér grundig.
- Når du har koplet kjølerørene til inndørsenheten, må du sørge for å teste rørforbindelser for gasslekkasje med nitrogengass. (Kontroller at det ikke lekker kjølemiddel fra kjølemedierørene til inndørsenheten.)
- Bruk kragemutteren som er montert på denne inndørsenheten.
- Hvis du må feste kjølemiddelrørene etter demontering, skal den konede delen av røret settes på igjen.

Ⓢ Tiltrekkingmoment for leppemutter

Kopperrør U.D. (mm)	Leppemutter U.D. (mm)	Strammemoment (N·m)
ø6,35	17	14 - 18
ø6,35	22	34 - 42
ø9,52	22	34 - 42
ø12,7	26	49 - 61
ø15,88	29	68 - 82

Ⓢ Påfør kjølemaskinolje på hele leppeseteflaten.

Ⓢ Bruk riktige kragemuttere som passer til rørstørrelsen på utendørsenheten.

Tilgjengelige rørstørrelser

	SM71-140
Væskeside	ø9,52 O
Gasside	ø15,88 O

O : Fabrikkfestet kragemutter på varmeveksleren.

⚠ Advarsel:

- Se opp for flygende kragemutter! (Internt trykksatt)
Fjern kragemutteren slik:
 1. Løsne mutteren fram til du hører en vislelyd.
 2. Ikke fjern mutteren før gassen er helt tømt (dvs. vislelyden stopper).
 3. Kontroller at gassen er fullstendig tømt, og fjern deretter mutteren.
- Ved montering av enheten må kjølemediumrørene koples forsvarlig til før kompressoren startes.

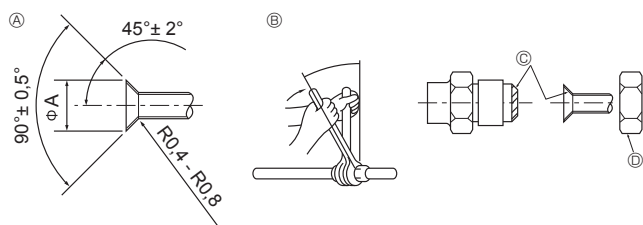


Fig. 4-1

Ⓢ Leppeskjæringsdimensjoner

Kopperrør U.D. (mm)	Leppedimensjoner øA-dimensjoner (mm)
ø6,35	8,7 - 9,1
ø9,52	12,8 - 13,2
ø12,7	16,2 - 16,6
ø15,88	19,3 - 19,7

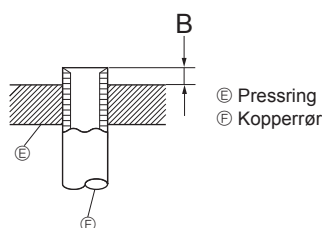
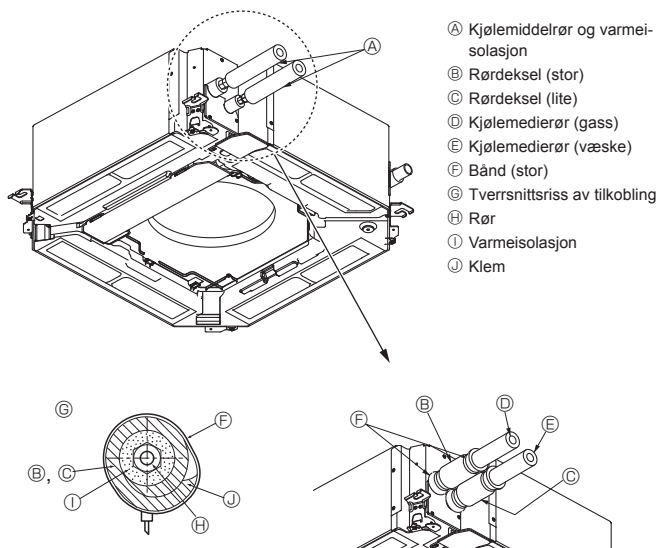


Fig. 4-2

Kopperrør U.D. (mm)	B (mm)
	Flammeverktøy for R32/R410A Clutchtype
ø6,35 (1/4")	0 - 0,5
ø9,52 (3/8")	0 - 0,5
ø12,7 (1/2")	0 - 0,5
ø15,88 (5/8")	0 - 0,5

4. Montere kjølemiddelrør



- Ⓐ Kjølemiddelrør og varmeisolasjon
- Ⓑ Rørdeksel (stor)
- Ⓒ Rørdeksel (lite)
- Ⓓ Kjølemedierør (gass)
- Ⓔ Kjølemedierør (væske)
- Ⓕ Bånd (stor)
- Ⓖ Tverrsnitssriss av tilkobling
- Ⓗ Rør
- Ⓘ Varmeisolasjon
- ⓵ Klem

Fig. 4-3

Varmeisolasjon for kjølemiddelrør (Fig. 4-3)

- 1 Det medfølgende dekket for store rør skal vikles rundt gassrøret, og det må sørges for at enden på rørdekket berører sidene på enheten.
- 2 Det medfølgende dekket for små rør skal vikles rundt væskerøret, og det må sørges for at enden på rørdekket berører sidene på enheten.
- 3 Fest begge ender på hvert rørdekket med de medfølgende båndene. (Fest båndene 20 mm fra enden av rørdekket.)

4.3. For dobbel kombinasjon

Se monteringshåndboken for utendørsenheten.

Enkelte utendørsenheter kan ikke brukes i et simultant dobbel system.

5. Arbeid med avløpsrør

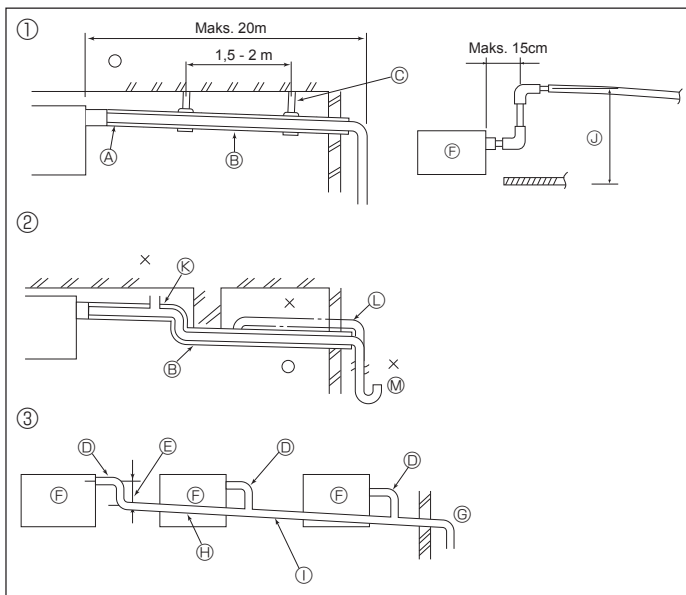


Fig. 5-1

5.1. Arbeid med avløpsrør (Fig. 5-1)

- Innendørsdelene av avløpsrøret skal vikles med isolasjonsmateriale laget av polyetylenkum (egenvekt 0,03, tykkelse 9 mm eller mer).
 - Bruk VP25 (U.D. ø32 PVC-RØR) for avløpsrør og det må helle 1/100 eller mer nedover.
 - Sørg for å feste rørskjøtene med PVC-lim.
 - Følg figuren for rørarbeid.
 - Bruk den medfølgende avløpsslangen for å endre utløpsretning.
 - Bruk støttemetallholderne når du utfører arbeid med avløpsrør.
- Hvis det legges press på avløpsmuffen som skader slangen eller fører til at slangen løsner, kan det oppstå vannlekkasje.

- | | |
|---|---|
| ① Korrekte rør | Ⓔ Bruk stor rørstørrelse for grupperte rør. |
| ② Feil rør | Ⓗ Helling nedover (1/100 eller mer) |
| ③ Grupperte rør | ⓵ U.D. ø38 PVC-RØR for grupperte rør. (isolasjon på 9 mm eller mer) |
| Ⓐ Isolasjon (9 mm eller mer) | ⓶ Opptil 85 cm |
| Ⓑ Helling nedover (1/100 eller mer) | ⓷ Avluftingsenhet |
| Ⓒ Støttemetall | ⓸ Hevet |
| Ⓓ U.D. ø32 PVC-RØR | ⓹ Luktfele |
| Ⓔ Gjør den så stor som mulig (ca 10 cm) | |
| Ⓕ Hovedenhet | |

1. Kople avløpsmuffen (følger med enheten) til avløpsåpningen. (Fig. 5-2) (Fest røret med PVC-klebmiddel og sikre det med et bånd.)
2. Monter et lokalt anskaffet avløpsrør (PVC-rør, U.D. ø32). (Fest røret med PVC-klebmiddel og sikre det med et bånd.)
3. Kontroller at avløpet tar unna som det skal.
4. Isoler avløpsåpningen med isolasjonsmateriale før det festes med et bånd. (Både isolasjonsmateriale og båndet følger med enheten.)
5. Isoler rørene. (PVC-rør, U.D. ø32)

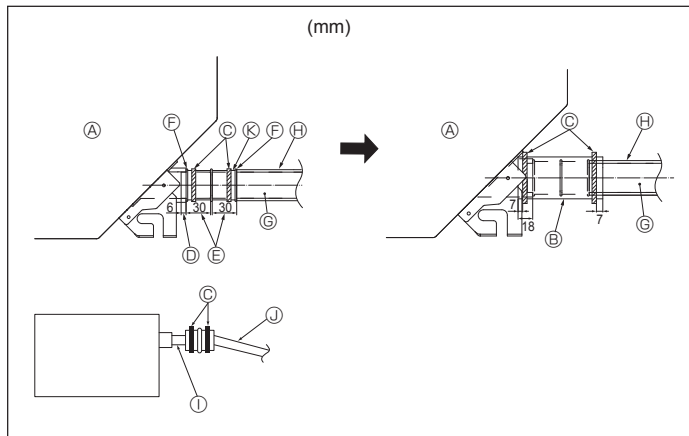


Fig. 5-2

- | | |
|--------------------------------|---|
| Ⓐ Hovedenhet | Ⓔ Avløpsrør (U.D. ø32 PVC-RØR) |
| Ⓑ Isolasjonsmateriale | Ⓗ Isolasjonsmateriale (anskaffes lokalt) |
| Ⓒ Bånd (stort) | ⓵ Gjennomsiktig PVC-rør |
| Ⓓ Avløpsåpning (gjennomsiktig) | ⓶ U.D. ø32 PVC-RØR (helling på 1/100 eller mer) |
| Ⓔ Innsettingsmargin | ⓷ Avløpsmuffe |
| Ⓕ Matchende | |

6. Elektrisk arbeid

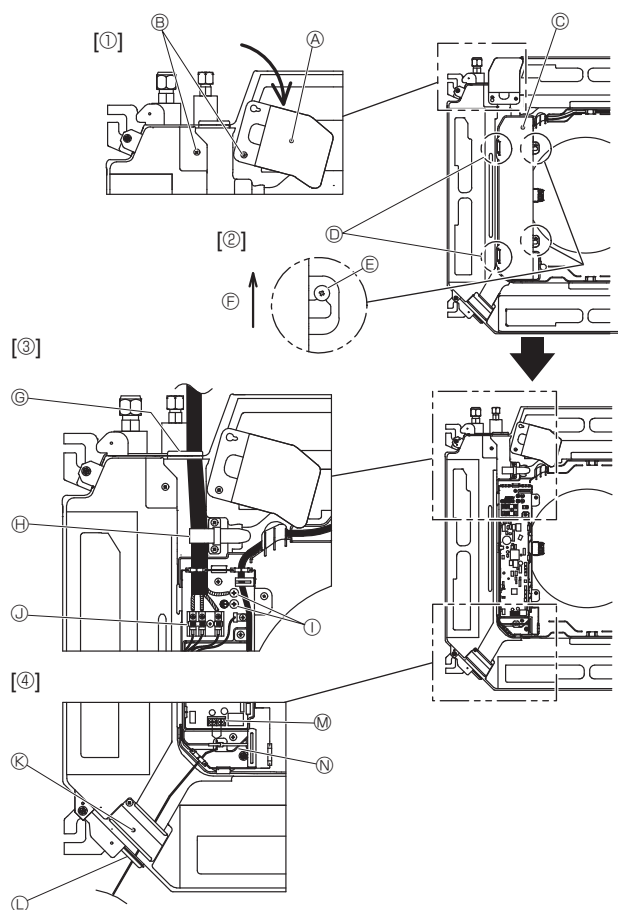


Fig. 6-1

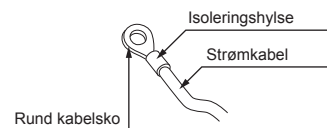


Fig. 6-2

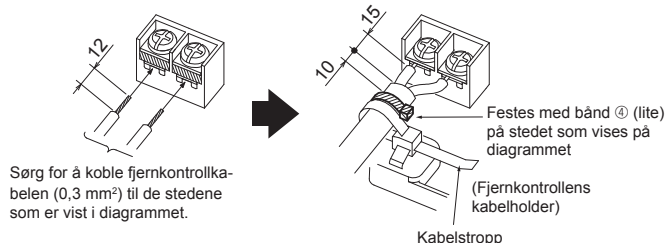


Fig. 6-3

<Ved kabling av to innendørs-utendørs tilkoblingskabler>

- Hvis kablene har samme diameter, fører du dem inn i utskjæringene på hver side.
- Hvis kablene har forskjellig diameter, fører du dem inn på den ene siden i hver sin åpning og med den ene kablen over den andre.

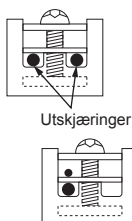


Fig. 6-5

6.1. Innendørsenhet (Fig. 6-1)

1. Løsne de to skruene som holder på plass servicepanelet for elektriske ledninger, og snu deretter servicepanelet for elektriske ledninger. [Fig. 6-1 ①]
2. Løsne de to skruene som holder på plass lokket på den elektriske koblingsboksen, og skyv deretter av lokket på den elektriske koblingsboksen. [Fig. 6-1 ②]
3. Før strømkabelen, innendørs-/utendørsenhetens tilkoblingskabel og jordkabelen gjennom de respektive ledningsåpningene, som vist i diagrammet. [Fig. 6-1 ③] Plasser den avmantlede delen av strømkabelen og innendørs-/utendørsenhetens tilkoblingskabel i den elektriske boksen. Bruk runde kabelsko til rekkeklemmen for innendørs-utendørs tilkobling og ekstrastyret med klemmesett for strømforsyning. [Fig. 6-2] Hvis du ikke kan bruke runde kabelsko, følger du prosedyren i Fig. 6-3 - 6-6. Se 6.1.1. og 6.1.2. for tilkobling.
4. Før fjernkontrollkabelen gjennom de respektive ledningsåpningene, som vist i diagrammet. [Fig. 6-1 ④, Fig. 6-3] Se 6.1.1. og 6.1.2. for tilkobling.

- Ikke la klemmeskruene bli slakke.

Skruetiltrekningsmoment

	Strammemoment (N·m)
Rekkeklemme for fjernkontroll	1,2 ± 0,1
Rekkeklemme for innendørs-utendørs tilkobling	1,6 ± 0,1
Jordkabel	1,6 ± 0,1

- La det være igjen litt overflødig ledning slik at den elektriske koblingsboksen kan henge under enheten ved service (ca. 50 til 100 mm).

- ① Servicepanel for elektriske ledninger
- ② Skruer
- ③ Løkk på elektrisk koblingsboks
- ④ Midlertidig krok for lokket på elektrisk koblingsboks
- ⑤ Skruer
- ⑥ Skyveretning for lokket på elektrisk koblingsboks
- ⑦ Åpning for strømkabel og innendørs-/utendørsenhetens tilkoblingskabel
- ⑧ Fest med kabelstropp.
- ⑨ Jordkabel
- ⑩ Tilkoblingsklemme for innendørs-/utendørsenhet
- ⑪ Servicepanel for elektriske ledninger (fjernkontroll)
- ⑫ Åpning for fjernkontrollkabel
- ⑬ Rekkeklemme for kablet fjernkontroll
- ⑭ Fest med kabelstropp.

⚠ Forsiktig:

- Kabling for fjernkontrollens kabel skal være adskilt (5 cm eller mer) fra strømledningene slik at den ikke påvirkes av elektrisk støy fra strømkablingen.

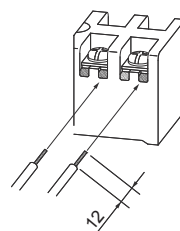
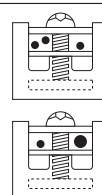


Fig. 6-4

- Det U-formede sporet åpnes hvis du trykker på skruhodet etter at skruen er løst.

⊘ ADVARSEL



- Det er forbudt å tilkoble to ledninger på den ene siden.
- Det er forbudt å tilkoble tre eller flere ledninger til samme rekkeklemme.
- Det er forbudt å tilkoble ledninger med ulik diameter.

Det er forbudt å bruke rund kabelsko eller utføre annet arbeid på rekkeklemmen når du bare har én kabel.

Fig. 6-6

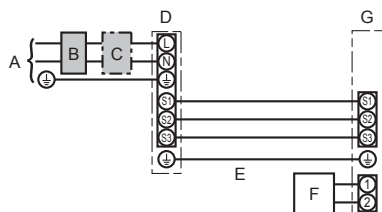
6. Elektrisk arbeid

6.1.1. Innendørsenheten får strøm fra utendørsenheten

Tilkoblingsmønstrene nedenfor kan brukes.

Utendørsenhetens mønstre for strømforsyning varierer fra modell til modell.

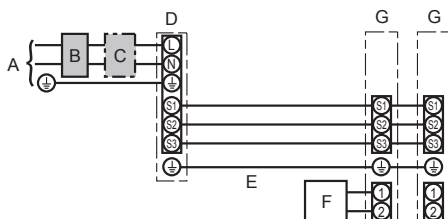
1:1 System



- A Utendørsenhetens strømforsyning
- B Jordfeilbryter
- C Vernebryter eller isoleringsbryter
- D Utendørsenhet
- E Innendørs-/utendørsenhetens tilkoblingskabler
- F Fjernkontroll
- G Innendørsenhet

* Fest merke A som følger med håndbøkene, i nærheten av hvert koblingsskjema for innendørs- og utendørsenhetene.

Simultant dobbel system



- A Utendørsenhetens strømforsyning
- B Jordfeilbryter
- C Vernebryter eller isoleringsbryter
- D Utendørsenhet
- E Innendørs-/utendørsenhetens tilkoblingskabler
- F Fjernkontroll
- G Innendørsenhet

* Fest merke A som følger med håndbøkene, i nærheten av hvert koblingsskjema for innendørs- og utendørsenhetene.

Merk:

Enkelte enheter kan ikke brukes i et simultant dobbel system. Du finner mer informasjon i monteringshåndboken for utendørsenheten.

Modell av innendørsenhet		PLA
Kablingsledning nr. x tykkelse (mm ²)	Innendørsenhet-utendørsenhet	*1 3 × 1,5 (polar)
	Innendørsenhet-utendørsenhet jord	*1 1 × Min. 1,5
	Jording til innendørsenhet	1 × Min. 1,5
	Fjernkontroll - innendørsenhet	*2 2 × 0,3 (ikke-polar)
Nominell kretsytelse	Innendørsenhet (varmeelement) L-N	*3 —
	Innendørsenhet-utendørsenhet S1-S2	*3 230 VAC
	Innendørsenhet-utendørsenhet S2-S3	*3 24 VDC
	Fjernkontroll - innendørsenhet	*3 12 VDC

*1. <For 71-140 utendørsenheter>

Maks. 45 m

Hvis det brukes 2,5 mm², maks. 50 m

Hvis det brukes 2,5 mm² og S3 er separert, maks. 80 m

*2. Maks. 500 m

(Når du bruker to fjernkontroller, er den maksimale lengden på fjernkontrollkablene 200 m.)

*3. Tallene er IKKE alltid mot jord.

S3-klemmen har 24 VDC likestrøm mot S2-klemmen. Mellom S3 og S1 er imidlertid disse klemmene ikke elektrisk isolert av transformatoren eller en annen enhet.

Merknader: 1. Ledningstørrelser må være i samsvar med gjeldende lokalt og nasjonalt regelverk.

2. Strømledninger og forbindelsesledninger mellom innendørsenhet/utendørsenhet skal ikke være lettere enn en fleksibel ledning mantlet med polykloropren. (Design 60245 IEC 57)

3. Monter lengre jordledning enn andre ledninger.

4. Innendørs og utendørs tilkoblingsledninger har polaritet. Du må samsvare rekkeklemmens nummer (S1, S2, S3) for å sikre korrekte kablinger.

5. Kabling for fjernkontrollens kabel skal være adskilt (5 cm eller mer) fra strømledningene slik at den ikke påvirkes av elektrisk støy fra strømkablingen.

⚠ Advarsel:

Strømkabelen eller forbindelseskabelen mellom innendørs- og utendørsenheten må aldri skjøtes, for det kan føre til at det oppstår røyk, brann eller kommunikasjonssvikt.

6. Elektrisk arbeid

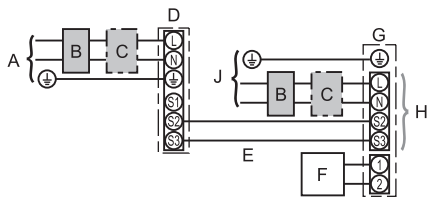
6.1.2. Separat strømforsyning for innendørs-/utendørsenhet (kun for PUHZ-anlegg)

Tilkoblingsmønstrene nedenfor kan brukes.

Utendørsenhetens mønstre for strømforsyning varierer fra modell til modell.

1:1 System

* Klemmesettet for strømforsyning til innendørsenhet er påkrevd.

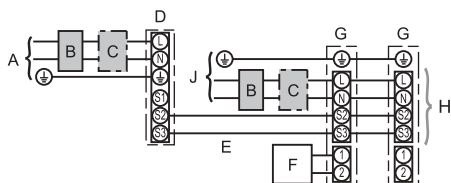


- A Utendørsenhetens strømforsyning
- B Jordfeilbryter
- C Vernebryter eller isoleringsbryter
- D Utendørsenhet
- E Innendørs-/utendørsenhetens tilkoblingskabler
- F Fjernkontroll
- G Innendørsenhet
- H Ekstrautstyr
- J Innendørsenhetens strømforsyning

* Fest merke B som følger med håndbøkene, i nærheten av hvert koblingsskjema for innendørs- og utendørsenhetene.

Simultant dobbel system

* Klemmesettene for strømforsyning til innendørsenhet er påkrevd.



- A Utendørsenhetens strømforsyning
- B Jordfeilbryter
- C Vernebryter eller isoleringsbryter
- D Utendørsenhet
- E Innendørs-/utendørsenhetens tilkoblingskabler
- F Fjernkontroll
- G Innendørsenhet
- H Ekstrautstyr
- J Innendørsenhetens strømforsyning

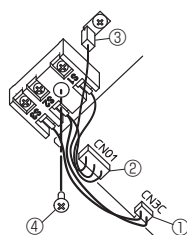
* Fest merke B som følger med håndbøkene, i nærheten av hvert koblingsskjema for innendørs- og utendørsenhetene.

Merk:
Enkelte enheter kan ikke brukes i et simultant dobbel system. Du finner mer informasjon i monteringshåndboken for utendørsenheten.

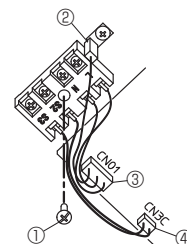
Se i tabellen nedenfor hvis innendørs- og utendørsenhetene har separat strømforsyning. Hvis klemmesettet for strømforsyning til innendørsenheten brukes, endrer du koblingen i den elektriske koblingsboksen ved å se på figuren til høyre og DIP-bryterstillingene for utendørsenhetens kontrollpanel.

Klemmesett for strømforsyning til innendørsenhet (ekstrautstyr)	Påkrevd								
Tilkobling av kontakt for innendørsenhetens elektriske koblingsboks må endres	Påkrevd								
Merke festet nær hvert koblingsskjema for innendørs- og utendørsenhetene	Påkrevd								
Utendørsenhetens DIP-bryterinnstillinger (kun ved bruk av separat strømforsyning til innendørsenhet/utendørsenhet)	<table border="1" style="display: inline-table;"> <tr> <td>ON</td> <td></td> <td></td> <td>3</td> </tr> <tr> <td>OFF</td> <td>1</td> <td>2</td> <td></td> </tr> </table> Still SW8-3 til PÅ.	ON			3	OFF	1	2	
ON			3						
OFF	1	2							

<Erstatter rekkeklemmen for innendørsenhet>



- ① Koble kontakt CN3C (blå) fra innendørsenhetens krets-kort.
- ② Koble kontakt CN01 (sort) fra innendørsenhetens krets-kort.
- ③ Koble fra tab rekkeklemmen.
- ④ Fjern skruen fra rekkeklemmen.



- Monter ekstrautstyret med klemmesett for strømforsyning. Du finner mer informasjon i monteringshåndboken som følger med ekstrautstyret med klemmesett for strømforsyning.
- ① Fest rekkeklemmen med skruen.
 - ② Sett inn rekkeklemmen.
 - ③ Koble kontakt CN01 (sort) til innendørsenhetens krets-kort.
 - ④ Koble kontakt CN3C (blå) til innendørsenhetens krets-kort.

* Det finnes 3 typer merker (merke A, B og C). Fest riktige merker på enhetene i henhold til kablingsmetoden.

Modell av innendørsenhet		PLA
Innendørsenhetens strømforsyning		~/N (enkel), 50 Hz, 230 V
Innendørsenhetens inngangskapasitet Hovedbryter (vernebryter)		*1 16 A
Ledninger Ledning nr. x lykkelse (mm ²)	Innendørsenhetens strømforsyning og jording	3 x min. 1,5
	Innendørsenhet-utendørsenhet	*2 2 x min. 0,3
	Innendørsenhet-utendørsenhet jord	–
Nominell kretsly- telse	Fjernkontroll - innendørsenhet	*3 2 x 0,3 (ikke-polar)
	Innendørsenhet L-N	*4 230 VAC
	Innendørsenhet-utendørsenhet S1-S2	*4 –
	Innendørsenhet-utendørsenhet S2-S3	*4 24 VDC
	Fjernkontroll - innendørsenhet	*4 12 VDC

*1. Det skal følge med en avbryter med minst 3,0 mm kontaktseparasjon i hver pol. Bruk avbryter for uønsket jordkontakt (NV).

Krets-bryteren skal kunne sørge for å koble fra alle aktive faseledere i strømforsyningen.

*2. Maks. 120 m

*3. Maks. 500 m

(Når du bruker to fjernkontroller, er den maksimale lengden på fjernkontrollkablene 200 m.)

*4. Tallene er IKKE alltid mot jord.

Merknader: 1. Ledningstørrelser må være i samsvar med gjeldende lokalt og nasjonalt regelverk.

2. Strømledninger og forbindelsesledninger mellom innendørsenhet/utendørsenhet skal ikke være lettere enn en fleksibel ledning mantlet med polykloropren.

(Design 60245 IEC 57)

3. Monter lengre jordledning enn andre ledninger.

4. Kabling for fjernkontrollens kabel skal være adskilt (5 cm eller mer) fra strømledningene slik at den ikke påvirkes av elektrisk støy fra strømkablingen.

⚠ Advarsel:

Strømkabelen eller forbindelseskabelen mellom innendørs- og utendørsenheten må aldri skjøtes, for det kan føre til at det oppstår røyk, brann eller kommunikasjonssvikt.

6. Elektrisk arbeid

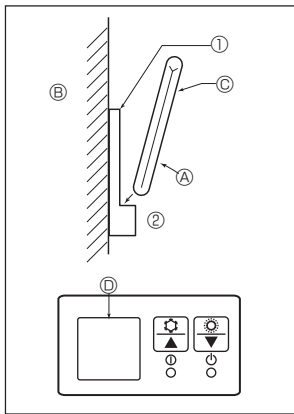


Fig. 6-7

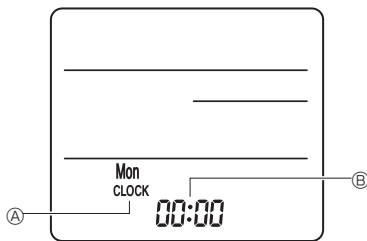


Fig. 6-8

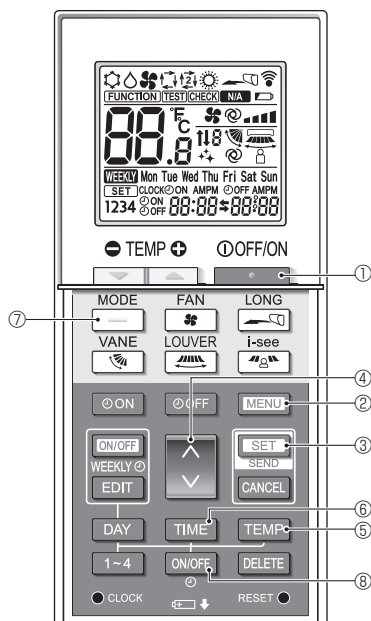


Fig. 6-9

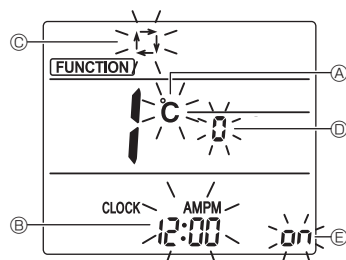


Fig. 6-10

6.2. Fjernkontroll

6.2.1. For kablet fjernkontroll

1) Innstilling for to fjernkontroller

Hvis to fjernkontroller er koblet sammen, angir du den ene som hovedenheten og den andre som sekundærenheten. For innstillingsprosedyrer kan du se "Funksjonsvalg av fjernkontroll" i bruksanvisningen for innendørsenheten.

6.2.2. For trådløs fjernkontroll

1) Installasjonsområde

- Et område der fjernkontrollen ikke utsettes for direkte sollys.
- Et område der det ikke er noen nærliggende varmekilde.
- Et område der fjernkontrollen ikke utsettes for kald (eller varm) vind.
- Et område der fjernkontrollen enkelt kan betjenes.
- Et område hvor fjernkontrollen er utenfor rekkevidde for barn.

2) Installasjonsmetode (Fig. 6-7)

- 1) Fest fjernkontrollholderen til ønsket sted ved hjelp av 2 selvgjengende skruer.
- 2) Plasser den nedre ende av kontrolleren inn i holderen.

A Fjernkontroll B Vegg C Skjermpanel D Mottaker

- Signalet kan gå opptil ca 7 meter (i en rett linje) innen 45 grader til både høyre og venstre side av senterlinjen til mottakeren.

3) Innstilling (klokkeinnstilling) (Fig. 6-8)

- 1) Sett inn batteriene eller trykk på ● CLOCK-knappen med noe skarpt. [CLOCK] (klokke) A og [] B blinker.
- 2) Trykk på RESET ●-knappen med noe skarpt.
- 3) Trykk på ▲-knappen for å angi klokkeslettet.
Trykk på DAY-knappen for å angi dag.
- 4) Trykk på ● CLOCK-knappen med noe skarpt på enden. [CLOCK] og [] lyser.

4) Første innstilling

Følgende innstillinger kan gjøres i første innstillingsmodus.

Element	Innstilling	Fig. 6-10
Temperaturenhet	°C/°F	A
Tidsskjerm	12-timers format / 24-timers format	B
AUTO-modus	Enkelt settpunkt / Dobbel settpunkt	C
Pannr.	0-3	D
Bakgrunnslys	På / av	E

4-1. Bytte til første innstillingsmodus

1. Trykk på ●-knappen 1 for å stoppe klimaanlegget.
2. Trykk på MENU-knappen 2.
Funksjonsinnstillingsskjermen vises og funksjonsnr. A blinker. (Fig. 6-9)
Trykk på ▲-knappen 4 for å endre funksjonsnr.
3. Kontroller at funksjonsnr. "1" vises, og trykk deretter på SET-knappen 3.
Skjerminnstilling-skjermen vises. (Fig. 6-10)

4-2. Endre temperaturenheten A

- Trykk på TEMP-knappen 5.
Hver gang TEMP-knappen 5 trykkes, skifter innstillingen mellom C og F.
C : Temperaturen vises i grader Celsius.
F : Temperaturen vises i grader Fahrenheit.

4-3. Endre tidsskjermen B

- Trykk på TIME-knappen 6.
Hver gang TIME-knappen 6 trykkes, skifter innstillingen mellom 12:00^{AMPM} og 24:00.
12:00^{AMPM} : Tiden vises i 12-timers format.
24:00 : Tiden vises i 24-timers format.

4-4. Endre AUTO C

- Trykk på —-knappen 7.
Hver gang —-knappen 7 trykkes, skifter innstillingen mellom t1 og t2.
t1 : AUTO-modus fungerer som vanlig automatisk modus.
t2 : AUTO-modus opererer med to settpunkt.

4-5. Endre pannr. D

- Trykk på ▲-knappen 4.
Hver gang ▲-knappen 4 trykkes, endres pannr 0-3.

Pannr. for trådløs fjernkontroll	Innendørs PC-kort
0	Første innstilling
1	Kutt J41
2	Kutt J42
3	Kutt J41, J42

4-6. Endre bakgrunnslys-innstillingen E

- Trykk på ON/OFF-knappen 8.
Hver gang ON/OFF-knappen 8 trykkes, skifter innstillingen mellom on og off.
on : Bakgrunnsbelysningen tennes når en knapp trykkes.
off : Bakgrunnsbelysningen tennes ikke når en knapp trykkes.

6. Elektrisk arbeid

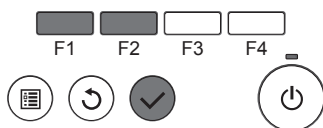
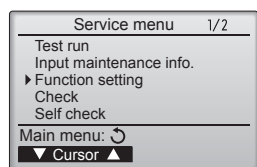


Fig. 6-11

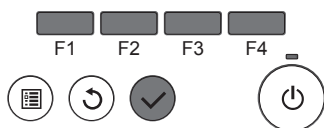
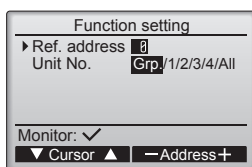


Fig. 6-12

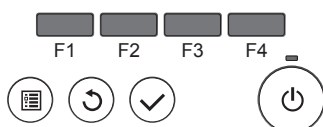
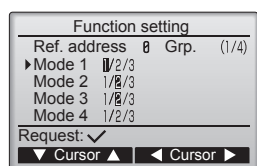


Fig. 6-13

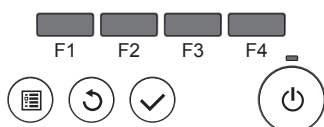
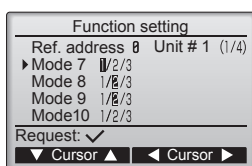


Fig. 6-14

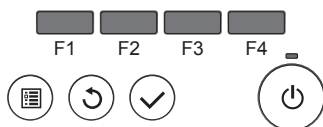
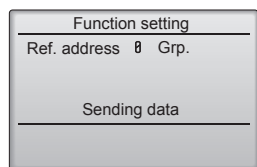


Fig. 6-15

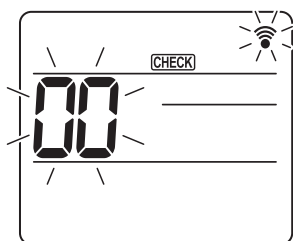


Fig. 6-16

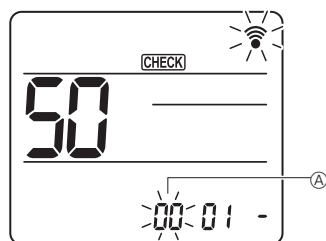


Fig. 6-17

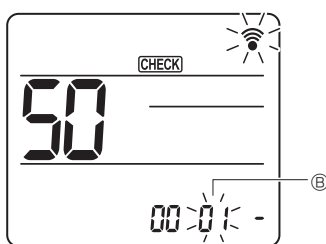


Fig. 6-18

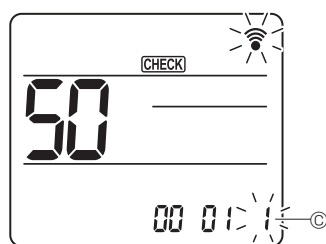


Fig. 6-19

6.3. Funksjonsinnstillinger

6.3.1. Ved kablet fjernkontroll

- ① (Fig. 6-11)
 - Velg "Service" fra hovedmenyen, og trykk på [VELG]-knappen.
 - Velg "Funksjonsinnstilling" med [F1] eller [F2], og trykk på [VELG]-knappen.
- ② (Fig. 6-12)
 - Still innendørsenhetsens kjøleadresser og enhetsnumre med [F1] til [F4]-knappene, og trykk deretter på [VELG] (velg) for å bekrefte den gjeldende innstillingen.

<Sjekker innendørsenhetsnr.>

Når [VELG]-knappen trykkes, vil mål-innendørsenheten starte viftedrift. Hvis enheten er felles eller når du kjører alle enhetene, vil alle innendørsenheterne for den valgte kjøleadressen starte viftedrift.

- ③ (Fig. 6-13)
 - Når datainnnsamlingen fra innendørsenheterne er fullført, vises gjeldende innstillinger som uthevet. Hvis det ikke er noen uthevede elementer, er dette en indikasjon på at det ikke er gjort funksjonsinnstillinger. Skjermutseendet varierer avhengig av innstillingen "Enhetsnr."
- ④ (Fig. 6-14)
 - Bruk [F1] eller [F2] for å flytte markøren for å velge modusnummer, og endre innstillingsnummeret med [F3] eller [F4]-knappen.
- ⑤ (Fig. 6-15)
 - Når innstillingene er fullført, trykker du på [SELECT] (velg) for å sende innstillingsdata fra fjernkontrollen til innendørsenheten.
 - Når overføringen er fullført, vil skjermen gå tilbake til funksjonsinnstillingskjermen.

6.3.2. Via trådløs fjernkontroll

- ① Gå til funksjonsvalgmodus
 - Trykk på [MENU]-tasten i mellom 5 sekunder.
 - (Start denne oppgaven når skjermen på fjernkontrollen viser at status er slått av.)
 - [CHECK] lyser og "00" blinker. (Fig. 6-16)
 - Trykk på [50]-knappen for å angi "50".
 - Retten trådløse fjernkontrollen mot mottakeren på innendørsenheten, og trykk på [SET]-knappen.
- ② Stille inn enhetsnummer
 - Trykk på [00]-knappen for å stille enhetsnummer ①. (Fig. 6-17)
 - Retten trådløse fjernkontrollen mot mottakeren på innendørsenheten, og trykk på [SET]-knappen.
- ③ Velge en modus
 - Trykk på [50]-knappen for å stille modusnummer ②. (Fig. 6-18)
 - Retten trådløse fjernkontrollen mot mottakeren på innendørsenheten, og trykk på [SET]-knappen.
 - Gjeldende innstillingsnummer: 1 = 1 pip (1 sekund)
2 = 2 pip (1 sekund hver)
3 = 3 pip (1 sekund hver)
- ④ Velge innstillingsnummer
 - Bruk [00]-knappen for å endre innstillingen nummer ③. (Fig. 6-19)
 - Retten trådløse fjernkontrollen mot mottakeren på innendørsenheten, og trykk på [SET]-knappen.
- ⑤ Velge flere funksjoner kontinuerlig
 - Gjenta valg ③ og ④ for å endre flere funksjonsinnstillinger kontinuerlig.
- ⑥ Komplette funksjonsvalg
 - Retten trådløse fjernkontrollen mot sensoren på innendørsenheten og trykk på [OFF/ON]-knappen.

Merk:

- Legg inn innstillingene ovenfor på Mr. Slim-enheter som nødvendig.
- Tabell 1 oppsummerer innstillingsmulighetene for hvert modusnummer.
- Pass på å skrive ned innstillingene for alle funksjonene hvis noen av de innledende innstillingene har blitt endret etter ferdigstillelse av monteringsarbeidet.

6. Elektrisk arbeid

Funksjonstabell (Tabell 1)

Velg enhetsnummer 00

Modus	Innstillinger	Modellnr.	Innstil- lingsnr.	Første innstilling	innstilling
Automatisk gjenoppretting ved strømbrudd	Ikke tilgjengelig	01	1		
	Tilgjengelig *1		2	O *2	
Oppdager innetemperatur	Innendørsenhet driftsgjennomsnitt	02	1	O	
	Satt av innendørsenhetens fjernkontroll		2		
	Fjernkontrollens interne sensor		3		
LOSSNAY-tilkobling	Støttes ikke	03	1	O	
	Støttet (innendørsenheten er ikke utstyrt med uteluftinntak)		2		
	Støttet (innendørsenheten er utstyrt med uteluftinntak)		3		
Spenning	240 V	04	1		
	220 V, 230 V		2	O	

Velg enhetsnumre 01 til 03 eller alle enheter (AL [kablet fjernkontroll] / 07 [trådløs fjernkontroll])

Modus	Innstillinger	Modellnr.	Innstil- lingsnr.	Første innstilling	innstilling
Filtersymbol	100 t	07	1		
	2500 t		2	O	
	Ingen filtersymbol-indikator		3		
Viftehastighet	Stille (lav takhøyde)	08	1		
	Standard		2	O	
	Høyt under taket		3		
Antall luftutløp	4 retninger	09	1	O	
	3 retninger		2		
	2 retninger		3		
Montert ekstrautstyr (høyeffektfilter)	Støttes ikke	10	1	O	
	Støttes		2		
Opp/ned spjeldinnstilling	Nedgående innstilling (oppsett ③ for spjeldvinkel)	11	1		
	Midtre innstilling (oppsett ① for spjeldvinkel)		2		
	Mindre trekk-innstilling (oppsett ② for spjeldvinkel)		3	O	
Viftehastighet under kjøletermostaten er AV	Stille inn viftehastighet	27	1		
	Stopp		2		
	Ekstra lav		3	O	

*1 Når strømmen kommer tilbake, starter klimaanlegget 3 minutter senere.

*2 Automatisk gjenoppretting ved strømbrudd, opprinnelig innstilling avhenger av den tilkoblede utendørsenheten.

7. Testkjøring

7.1. Før testkjøring

- ▶ Etter fullført installasjon og kobling av ledninger og rør til innendørs- og utendørsenhetene, må du kontrollere om det lekker kjølemiddel, om strøm- eller kontrollledninger er løse, har feil polaritet og at ingen fase er frakoblet i strømforsyningen.
- ▶ Bruk en 500 V megaohm-måler til å kontrollere motstanden mellom strømforsyningsklemmene og jord er minst 1,0 MΩ.

- ▶ Ikke utfør denne testen på klemmene i kontrollledningene (lavspenningskrets).
- ⚠ **Advarsel:**
Ikke bruk utendørsenheten hvis isolasjonsmotstanden er under 1,0 MΩ.

7.2. Testkjøring

7.2.1. Bruke den kablede fjernkontrollen

- Sørg for å lese bruksanvisningen før testkjøring. (Spesielt avsnittene om å ivareta sikkerheten)

Trinn 1 Slå på strømmen.

- Fjernkontroll: Systemet vil gå inn i oppstartsmodus, og fjernkontrollens strømlampe (grønn) og "VENT LITT" blinker. Mens lampen og meldingen blinker, kan ikke fjernkontrollen brukes. Vent til "VENT LITT" ikke vises lenger før du bruker fjernkontrollen. Etter at strømmen er slått på, vises "VENT LITT" i ca 2 minutter.
- Innendørs-styrekort: LED 1 lyser opp, LED 2 vil lyse opp (hvis adressen er 0) eller være slukket (hvis adressen ikke er 0), og LED 3 blinker.
- Utendørs styrekort: LED 1 (grønn) og LED 2 (rød) lyser opp. (Etter oppstartsmodusen for systemet er ferdig, vil LED 2 slukke.) Hvis utendørsenhetens styrekort bruker en digital skjerm, vises [-] og [-] vekselvis hvert sekund.
Hvis driften ikke fungerer riktig etter prosedyrene i trinn 2 og etter utføres, bør følgende årsaker vurderes og elimineres hvis de blir funnet. (Symptomene under oppstår under testkjøringsmodus. "Oppstart" i tabellen betyr LED-skjerm som er skrevet ovenfor.)

Symptomer i testkjøringsmodus		Årsak
Fjernkontrollskjerm	UTENDØRSKORT LED-skjerm < > Indikerer digital skjerm.	
Fjernkontrollen viser "VENT LITT", og kan ikke brukes.	Etter "startup" (oppstart) vises, lyser det bare grønt. <00>	• Etter at strømmen er slått på, vises "VENT LITT" i 2 minutter under oppstart av systemet. (Normal)
Etter at strømmen er slått på, vises "VENT LITT" i 3 minutter, deretter vises feilkoden.	Etter at "startup" (oppstart) vises, blinker det grønt (en gang) og rødt (en gang) vekselvis. <F1>	• Feil tilkobling av utendørs terminalklemme (R, S, T og S ₁ , S ₂ , S ₃ .)
	Etter at "startup" (oppstart) vises, blinker det grønt (to ganger) og rødt (to ganger) vekselvis. <F3, F5, F9>	• Kontakten på utendørsenhetens beskyttelsesenhet er åpen.
Det vises ikke noe skjerm bilde selv når fjernkontrollens betjeningsbryter er slått på. (Driftslampen lyser ikke.)	Etter at "startup" (oppstart) vises, blinker det grønt (to ganger) og rødt (en gang) vekselvis. <EA, Eb>	• Feil kabling mellom innendørs- og utendørsenhet (polariteten er feil for S ₁ , S ₂ , S ₃ .) • Fjernkontrollens overføringskabel er kortslettet.
	Etter "startup" (oppstart) vises, lyser det bare grønt. <00>	• Det er ingen utendørsenhet på adresse 0. (Adressen er noe annet enn 0.) • Fjernkontrollens overføringskabel er åpen.
Skjerm bildet vises, men forsvinner raskt selv når fjernkontrollen brukes.	Etter "startup" (oppstart) vises, lyser det bare grønt. <00>	• Etter et funksjonsvalg blir avbrutt, kan ikke enheten brukes i ca 30 sekunder. (Normal)

Trinn 2 Sett fjernkontrollen til "Testkjøring".

- 1 Velg "Test run" (Testkjøring) fra Service-menyen, og trykk på [VELG]-knappen. (Fig. 7-1)
- 2 Velg "Test run" (Testkjøring) fra Testkjøring-menyen, og trykk på [VELG]-knappen. (Fig. 7-2)
- 3 Testkjøringen starter, og Testkjøring-driftsskjermen vises.

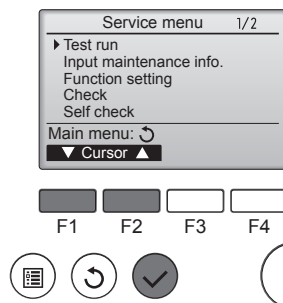


Fig. 7-1

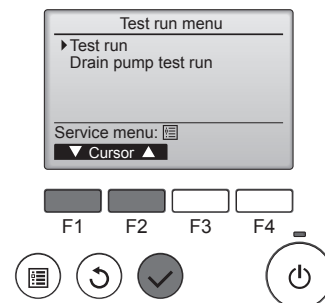


Fig. 7-2

Trinn 3 Utfør testkjøring og sjekk luftstrømstemperaturen og automatiske spjeld.

- 1 Trykk på [F1] for å endre driftsmodus. (Fig. 7-3)
Kjølemodus: Kontroller at det blåser kald luft fra enheten.
Oppvarmingsmodus: Kontroller at det blåser varm luft fra enheten.
- 2 Trykk på [SELECT] for å vise betjeningskjermen for spjeldene, og trykk deretter på knappene [F1] og [F2] for å kontrollere auto-spjeldene. (Fig. 7-4)
Trykk på [RETURN]-knappen for å gå tilbake til Testkjøring-skjerm bildet.

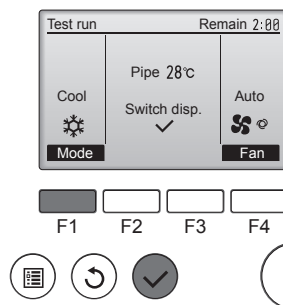


Fig. 7-3

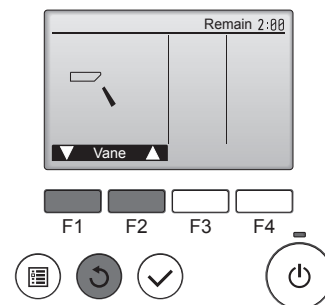


Fig. 7-4

7. Testkjøring

Trinn 4 Bekreft at utendørsenhetens vifte er i drift.

Hastigheten til utendørsenhetens vifte kontrolleres for å styre ytelsen til enheten. Avhengig av omgivelsesluften vil viften rotere ved lav hastighet og fortsette å rotere ved den hastigheten med mindre ytelsen er utilstrekkelig. Derfor kan utendørs vind gjøre at viften stopper eller roterer i motsatt retning, men dette er ikke et problem.

Trinn 5 Stopp testkjøringen.

① Trykk på [PÅ/AV]-knappen for å stoppe testkjøringen. (Testkjøring-menyen vises.)
Merk: Hvis det vises en feil på fjernkontrollen, kan du se tabellen nedenfor.

LCD-skjerm	Beskrivelse av funksjonsfeil	LCD-skjerm	Beskrivelse av funksjonsfeil	LCD-skjerm	Beskrivelse av funksjonsfeil
P1	Inntak sensorfeil	P9	Rørsensorfeil (rør til dobbel vegg)	E0 – E5	Kommunikasjonsfeil mellom fjernkontrollen og innendørsenheten
P2	Rørsensorfeil (væskerør)	PA	Lekkasjefeil (kjølemiddelsystem)		
P4	Flottørbryter til drenering er frakoblet (CN4F)	Pb	Innendørsenhet viftomotorfeil		
P5	Beskyttelsesdrift mot dreneringsoverflom	PL	Avvik i kjølekretsen	E6 – EF	Kommunikasjonsfeil mellom innendørsenheten og utendørsenheten
P6	Beskyttelsesdrift mot frysing/overoppheating	FB	Feil på innendørsenhetens kretskort		
P8	Rørtemperatur feil	U*, F* (* viser et alfanumerisk tegn eksl. FB.)	Funksjonsfeil på utendørsenhet Se på koblingsskjemaet for utendørsenheten.		

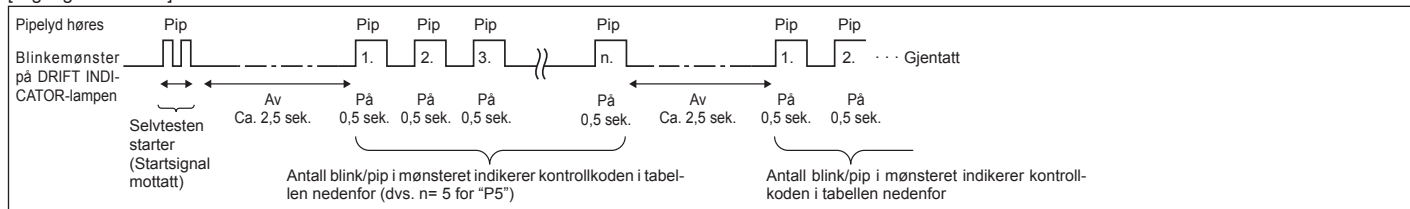
Se tabellen nedenfor for detaljer om LED-skjermen (LED 1, 2 og 3) på innestyrekortet.

LED 1 (mikroprosessor strømforsyning)	Angir om styrestrøm er på. Kontroller at dette lyset alltid er tent.
LED 2 (jernkontrollens strømforsyning)	Angir om strømmen er koblet til den kablede fjernkontrollen. LED lyser kun for innendørsenheten som er koblet til utendørsenheten som har en adresse på 0.
LED 3 (innendørs-/utendørsenhetskommunikasjon)	Indikerer om innendørs- og utendørsenhetene kommuniserer. Kontroller at denne lampen alltid blinker.

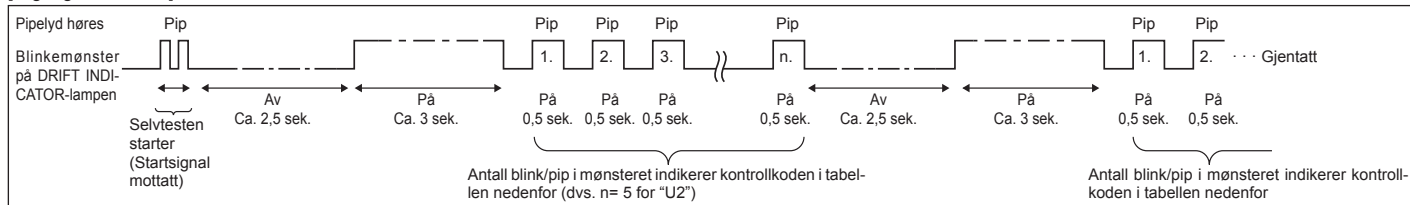
7.3. Selvtest

- Se i installasjonshåndboken som følger med hver fjernkontroll, for detaljer.
- Se tabellen nedenfor for å få mer informasjon om kontrollkoder. (Trådløs fjernkontroll)

[Utgangsmønster A]



[Utgangsmønster B]



7. Testkjøring

[Utgangsmønster A] Feil oppdaget av innendørsenheten

Trådløs fjernkontroll	Kablet fjernkontroll	Symptom	Merknad
Det høres en pipelyd/DRIFT INDIKATOR-lampen blinker (antall ganger)	Sjekk kode		
1	P1	Inntak sensorfeil	
2	P2	Rør (TH2) sensorfeil	
	P9	Rør (TH5) sensorfeil	
3	E6, E7	Innendørs-/utendørsenhet kommunikasjonsfeil	
4	P4	Dreneringssensor-feil / Flottørbryter åpen	
5	P5	Feil på avløpspumpe	
	PA	Tvunget kompressor-feil	
6	P6	Beskyttelsesdrift mot frysing/overoppheting	
7	EE	Kommunikasjonsfeil mellom innendørs- og utendørsenhet	
8	P8	Rørtemperatur feil	
9	E4	Fjernkontrollsignal mottaksfeil	
10	—	—	
11	Pb	Innendørsenhet viftemotorfeil	
12	Fb	Innendørsenhet kontrollsystemfeil (minnefeil osv.)	
14	PL	Avvik i kjølekretsen	
Ingen lyd	E0, E3	Fjernkontroll overføringsfeil	
Ingen lyd	E1, E2	Fjernkontroll styrekortfeil	
Ingen lyd	- - - -	Ingen samsvar	

[Utgangsmønster B] Feil oppdaget av enhet annet enn innendørsenhet (utendørsenhet, etc.)

Trådløs fjernkontroll	Kablet fjernkontroll	Symptom	Merknad
Det høres en pipelyd/DRIFT INDIKATOR-lampen blinker (antall ganger)	Sjekk kode		
1	E9	Innendørs-/utendørsenhet kommunikasjonsfeil (Senderfeil) (Utendørsenhet)	
2	OPP	Kompressorstrøm avbrutt	
3	U3, U4	Brudd/kortslutning av utendørsenhetens termistorer	
4	UF	Kompressorstrøm avbrutt (når kompressor er låst)	
5	U2	Unormalt høy utløpstemperatur / 49 °C bearbeidet / utilstrekkelig kjølemiddel	
6	U1, Ud	Unormalt høyt trykk (63H bearbeidet) / beskyttelsesdrift mot overoppheting	
7	U5	Unormal temperatur i kjøleelement	
8	U8	Beskyttelsesstans i utendørsenhetens vifte	
9	U6	Kompressorstrøm avbrutt / avvik i strømodul	
10	U7	Avvik med superhøy varme pga. lav utløpstemperatur	
11	U9, UH	Avvik som overspenning eller spenningsunderskudd og unormalt synkront signal til hovedkrets / feil i strømsensor	
12	—	—	
13	—	—	
14	Andre	Andre feil (se i den tekniske håndboken for utendørsenheten.)	Hvis du vil ha mer informasjon, kan du kontrollere LED-skjermen på utendørsstyrekortet.

*1 Hvis lydsignalet ikke høres igjen etter de første 2 pipene for å bekrefte at selvtest startsignalet ble mottatt og OPERATION INDICATION-lampen ikke lyser, er det ingen registrerte feil.

*2 Hvis lydsignalet høres 3 ganger kontinuerlig "pip, pip, pip (0,4 + 0,4 + 0,4 sek.)" etter de første 2 pipene for å bekrefte at startsignalet for selvtesten ble mottatt, er den angitte kjølemiddeladressen feil.

- På trådløs fjernkontroll
Den kontinuerlige summeren høres fra mottaksdelen av innendørsenheten.
Driftslampen blinker
- På kablet fjernkontroll
Sjekk koden som vises på LCD-skjermen.

7. Testkjøring

• Hvis enheten ikke kan kjøres som normalt etter testkjøring, kan du se om du finner årsaken i tabellen nedenfor.

Symptom		Årsak
Kablet fjernkontroll	LED 1, 2 (kretskort i utendørsenhet)	
VENT LITT	I ca. 2 minutter etter at strømmen er slått på	Etter LED 1, tennes 2, LED 2 slås av, og deretter lyser bare LED 1. (Korrekt drift)
VENT LITT → Feilkode	Deretter i ca. 2 minutter etter at strømmen er slått på	Bare LED 1 lyser. → LED 1, 2 blinker.
Meldinger på skjermen vises ikke selv om driftsbryteren er slått PÅ (driftslampen lyser ikke).		Bare LED 1 lyser. → LED 1 blinker to ganger, LED 2 blinker én gang.

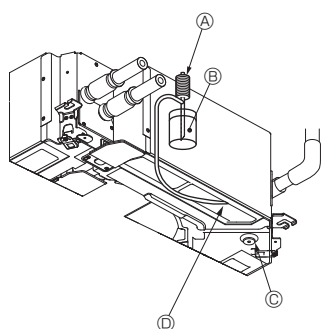
På trådløs fjernkontroll med ovennevnte tilstand forekommer følgende.

- Ingen signaler fra fjernkontrollen godtas.
- Driftslampen blinker.
- Signalet avgir en kort plingelyd.

Merk:

Enheten kan ikke betjenes i ca. 30 sekunder etter at et funksjonsvalg er avbrutt. (Korrekt drift)

Du finner en beskrivelse på side 205 av hver LED (LED 1, 2, 3) på innendørsenhetens fjernkontroll.



- Ⓐ Vannforsyningspumpe
- Ⓑ Vann (omtrent 1000 cc)
- Ⓒ Avløpsplugg
- Ⓓ Hell vann gjennom utløpet
 - Vær forsiktig slik at det ikke sprutes vann inn i avløpspumpemekanismen.

Fig. 7-5

7.4. Kontrollere avløpet (Fig. 7-5)

- Kontroller at vannet renner helt ut og at det ikke lekker vann fra skjøtene.

Når det elektriske arbeidet er fullført.

- Hell på vann under nøddrift av testkjøring (referer til 7.2.) og kontroller.

Når det elektriske arbeidet ikke er fullført.

- Hell på vann under nøddrift og kontroller.

* Dreneringsspannen og viften aktiveres samtidig når enfaset 220-240 V slås på for S1 og S2 på terminalblokken etter kontakten (SWE) på kontrollerkortet i el-komponentboksen er satt til PÅ.

Husk å sette det tilbake til tidligere stilling etter arbeidet.

8. Systemstyring

Se monteringshåndboken for utendørsenheten.

9. Montere gitteret

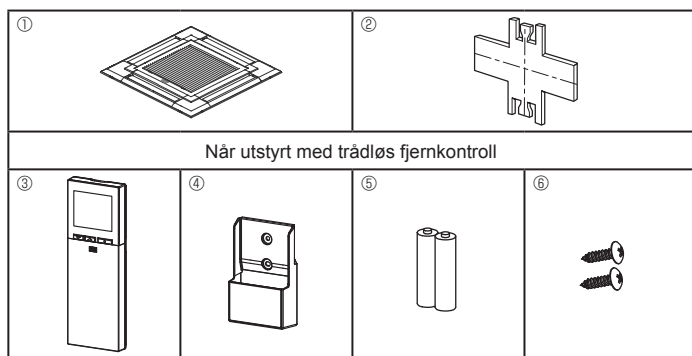


Fig. 9-1

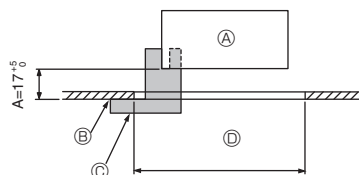


Fig. 9-2

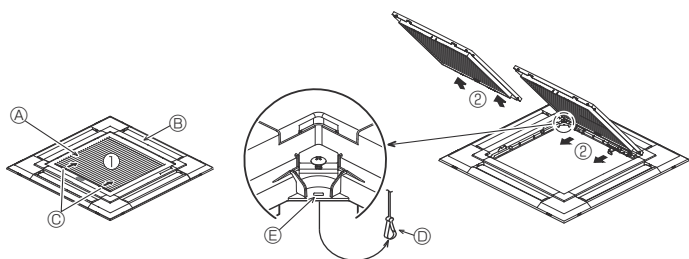


Fig. 9-3

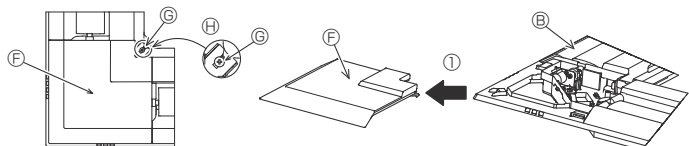


Fig. 9-4

	4 retninger	3 retninger
Mønstre for blåse-retning	1 mønster: Første innstilling 	4 mønstre: ett luftutløp er helt lukket
Mønstre for blåse-retning	2 retninger 6 mønstre: 2 luftutløp helt lukket 	

Tabell 1

<Kroken er i hevet stilling>

<Kroken er i senket stilling>

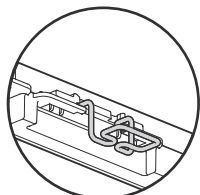
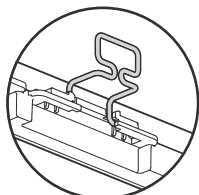


Fig. 9-5

9.1. Kontrollere innholdet (Fig. 9-1)

• Dette settet inneholder denne håndboken og følgende deler.

	Tilbehørets navn	An-tall	Merknader
①	Gitter	1	950 × 950 (mm)
②	Monteringsmåler	1	(Delt inn i 4 deler)
③	Trådløs fjernkontroll	1	For PLP-6EALM
④	Holder for fjernkontroll	1	Inkludert når utstyrt med den trådløse fjernkontrollen.
⑤	LR6 AA-batterier	2	Inkludert når utstyrt med den trådløse fjernkontrollen.
⑥	3,5 × 16 senkeskruer	2	Inkludert når utstyrt med den trådløse fjernkontrollen.

9.2. Gjøre klar til å feste gitteret (Fig. 9-2)

- Bruk måler 2 som følger med dette settet, til å kontrollere og justere plasseringen av hovedenheten i forhold til takoverflaten. Hvis hovedenheten ikke er korrekt plassert i forhold til takoverflaten, kan det oppstå luftlekkasjer eller samle seg kondens.
- Sørg for at åpningen i taket er innenfor følgende toleranser: 860 × 860 - 910 × 910
- Sørg for at A utføres innenfor 17-22 mm. Det kan oppstå skader hvis dette grenseområdet ikke overholdes.
 - Ⓐ Hovedenhet
 - Ⓑ Takoverflate
 - Ⓒ Monteringsmåler ② (satt inn i hovedenheten)
 - Ⓓ Takåpningens dimensjoner

9.2.1. Fjerne innsugningsgitteret (Fig. 9-3)

- Skyv spakene i retningen som pil ① viser, for å åpne innsugningsgitteret.
- Lås opp kroken som holder gitteret.
 - * Ikke løsne kroken på luftinntaket.
- Med innsugningsgitteret i "åpen" stilling fjerner du hengslene til innsugningsgitteret som vist med pil ②.

9.2.2. Fjerne hjørnepanelet (Fig. 9-4)

- Løsne de 4 skruene i hjørnet. Skyv hjørnepanelet i retningen som pil ① viser på figuren, og fjern hjørnepanelet.

[Fig. 9-3] [Fig. 9-4]

- Ⓐ Innsugningsgitter
- Ⓑ Gitter ①
- Ⓒ Spaker på innsugningsgitteret
- Ⓓ Gitterkrok
- Ⓔ Hull for gitterkroken
- Ⓕ Hjørnepanel
- Ⓖ Skruer
- Ⓗ Detalj

9.3. Valg av luftutløp

For dette gitteret er kan utløpsretningen stilles inn i 11 mønstre. Ved å stille inn fjernkontrollen på den aktuelle innstillingen, kan du dessuten justere luftstrøm og retning. Velg de ønskede innstillingene fra tabell 1 i henhold til hvor du ønsker å montere enheten. (Du må velge flere enn to retninger.)

- 1) Bestemme mønster for utløpsretning.
- 2) Sørg for å stille inn fjernkontrollen på de aktuelle innstillingene i henhold til antall luftutløp og høyden på taket som hovedenheten skal monteres i. (Se side 203.)

Merk:

- Når du endrer antall retninger, trenger du en lukkeplate til luftutløpet (ekstrautstyr).
- Du kan ikke velge 2 retninger i et varmt og fuktig miljø. (Det kan dannes dugg eller duggdråper.)

9.4. Montere gitteret

9.4.1. Forberedelser (Fig. 9-5)

Pass på at du vipper opp de 2 krokene på gitteret.

9. Montere gitteret

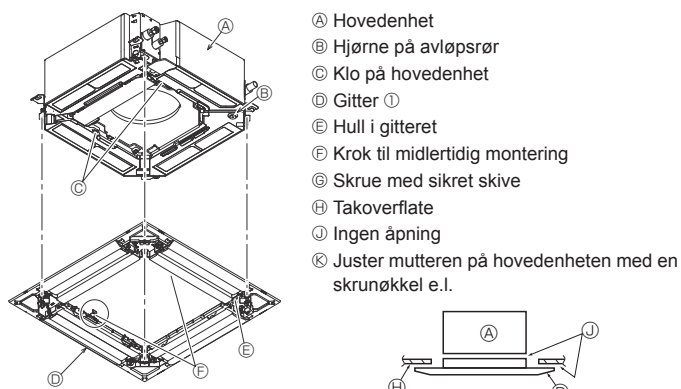


Fig. 9-6

<Risten er midlertidig montert>

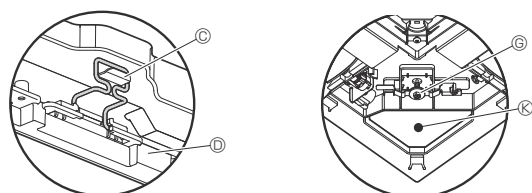


Fig. 9-7



Fig. 9-8

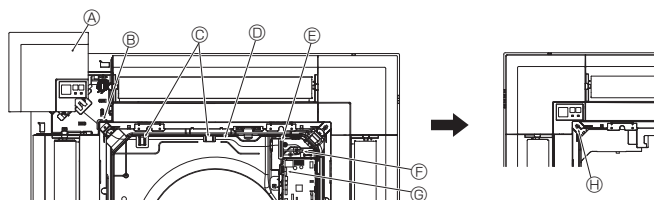


Fig. 9-9

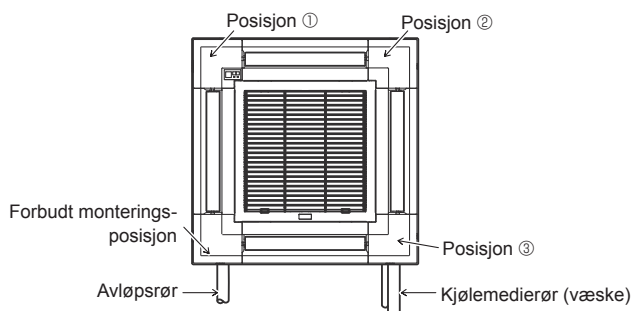


Fig. 9-10

9.4.2. Midlertidig montering av gitteret (Fig. 9-6)

- Sett hovedenhetens hjørne på avløpsrøret mot hjørnet med hullet på gitteret, og fest dem midlertidig sammen ved å henge kroken til gitteret fast i åpningen på hovedenheten.

9.4.3. Montere gitteret

- Fest gitteret på hovedenheten ved å stramme de forhåndsmonterte skruene. (Fig. 9-6)
Merk:
Sørg for at det ikke er noen åpninger mellom hovedenheten og gitteret eller mellom gitteret og takoverflaten. (Fig. 9-6)

Hvis det er en åpning mellom gitteret og taket:

Når gitteret er festet, justerer du monteringshøyden til hovedenheten litt for å lukke åpningen.

⚠ Forsiktig:

- Når du strammer skruen, må tiltrekkingmomentet være fra 2,8 N·m til 3,6 N·m. Du må aldri bruke en slagskrutrekker.
- Etter at skruen strammes, bekrefter du at de to gitterkrokene (Fig. 9-6) er låst til krokene på hovedenheten.

9.4.4. Tilkopling av ledninger (Fig. 9-8)

- Løsne de 2 skruene som holder på plass lokket på den elektriske koplingsboksen på hovedenheten, og skyv på lokket slik at det åpnes.
- Før ledningen fra siden på den elektriske koplingsboksen.
- Sørg for å koble en kontakt for spjeldmotor (hvit, 20-pols) til CNV-kontakten (hvit) på hovedenhetens kretskort.
- Ledninger som føres bort fra gitteret, må holdes samlet uten slakk ved hjelp av en klemme i den elektriske koplingsboksen.

9.4.5. Montere signalmottaker (Fig. 9-9)

- Før ledningen (hvit, 9-pols) for hjørnepanelet til signalmottakeren fra siden på den elektriske koplingsboksen på hovedenheten.
- Pass på at du kobler til CN90 (hvit) på kretskortet.
- Pass på at ledningen for hjørnepanelet til signalmottakeren føres gjennom den klokkeformede åpningen.
- Resten av ledningen må holdes samlet uten slakk ved hjelp av en klemme i den elektriske koplingsboksen.
- Sett på plass lokket på den elektriske koplingsboksen med de 2 skruene.
Merk:
Sørg for at ledningene ikke kommer i klem i lokket på den elektriske koplingsboksen.
Monter hjørnepanelet til signalmottakeren på panelet, og fest det med skruen. Hjørnepanelet til signalmottakeren kan ikke monteres på hovedenhetens side med avløpsrør. (Se Fig. 9-10)

- Ⓐ Hjørnepanel til signalmottaker
- Ⓑ Hull i gitter (før gjennom ledningstråden.)
- Ⓒ Klokkeformet åpning
- Ⓓ Ledning
- Ⓔ Klemme
- Ⓕ Kabelbånd (fester ledningen.)
- Ⓖ CN90 på kretskort
- Ⓗ Skruer

9. Montere gitteret

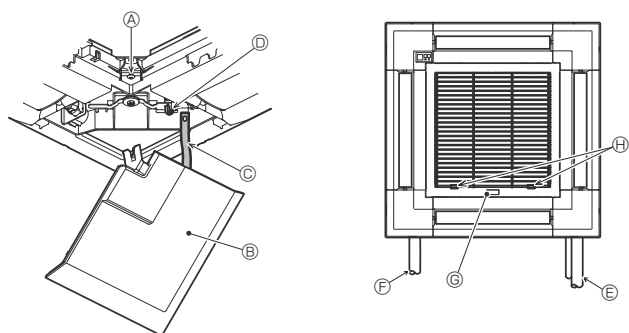


Fig. 9-11

9.5. Montere innsugningsgitteret (Fig. 9-11)

Merk:

Når hjørnepanelene settes på igjen (hver festet med en sikkerhetsstropp), skal den andre enden av hver sikkerhetsstropp festes til gitteret som vist i illustrasjonen.

* Hvis hjørnepanelene ikke er skikkelig festet, kan de falle av mens hovedenheten er i bruk.

• Utfør prosedyren som er beskrevet i "9.2. Gjøre klar til å feste gitteret" i motsatt rekkefølge for å montere innsugningsgitteret og hjørnepanelet.

• Retningen på innsugningsgitteret kan endres etter kundens ønske.

Ⓐ Skruer (4 × 16)

Ⓑ Hjørnepanel

Ⓒ Sikkerhetsstropp

Ⓓ Krok

Ⓔ Kjølemedierør

Ⓕ Avløpsrør

Ⓖ Fimalogo

* Det er mulig å montere det i enhver posisjon.

Ⓧ Opprinnelig posisjon for spakene på innsugningsgitteret

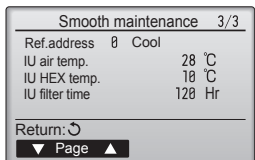
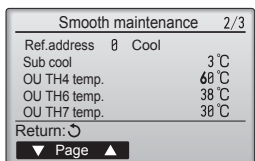
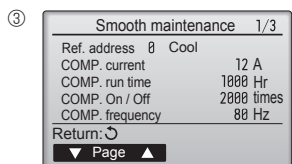
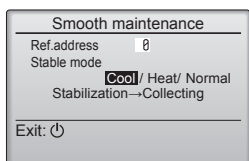
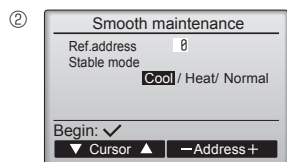
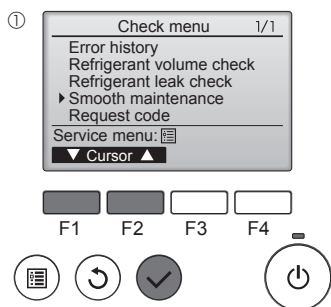
* Selv om klemmene kan monteres i alle 4 posisjoner, er det konfigurasjonen som vises her som anbefales. (Det er ikke nødvendig å fjerne innsugningsgitteret under vedlikehold på hovedenhetens elektriske koplingsboks.)

10. Enkel vedlikeholdsfunksjon

Vedlikeholdsdata, for eksempel innendørs / utendørsenhetens varmeveksler temperatur og kompressorstrøm kan vises med "Smooth maintenance" (Stille vedlikehold).

* Dette kan ikke utføres under testdrift.

* Avhengig av kombinasjonen med utendørsenheten, kan det hende at dette ikke støttes av noen modeller.



• Velg "Service" fra hovedmenyen, og trykk på [VELG]-knappen.

• Velg "Check" (Sjekk) med [F1] eller [F2], og trykk på [VELG]-knappen.

• Velg "Smooth maintenance" (Stille vedlikehold) med [F1] eller [F2], og trykk på [VELG]-knappen.

Velg hvert element.

• Velg elementet som skal endres med [F1] eller [F2]-knappen.

• Velg ønsket innstilling med [F3] eller [F4]-knappen.

"Ref. adresse"-innstilling "0" - "15"

"Stabil modus"-innstilling "Cool" (Avkjøling / "Heat" (Oppvarming) / "Normal"

• Trykk på [VELG]-knappen, og fast drift starter.

* "Stable mode" (Stabil modus) vil ta ca. 20 minutter.

Driftsdata vises.

Kompressor-akkumulert driftstid (COMP. kjøres) er 10-timers enhet, og kompressor-antall driftstider (COMP. On/Off) er en 100-tidsenhet (fraksjonene forkastes)

Navigere gjennom skjermbildene

- For å gå tilbake til hovedmenyen [MENY]-knappen
- For å gå tilbake til forrige skjermbilde [TILBAKE]-knappen

Spis treści

1. Zalecenia bezpieczeństwa	211	6. Instalacja elektryczna	217
2. Miejsce instalacji	212	7. Ruch próbny	223
3. Montaż jednostki wewnętrznej	213	8. Sterowanie systemem	226
4. Instalacja rur czynnika chłodniczego	215	9. Montaż kratki	227
5. Montaż rur spustowych	216	10. Funkcja łatwej konserwacji	229

Uwaga:





Określenie "Pilot przewodowy" w niniejszej instrukcji montażu dotyczy tylko modelu PAR-32MAA.

Aby uzyskać informacje na temat innych pilotów, należy odnieść się do instrukcji montażu lub instrukcji ustawień początkowych, znajdujących się w dostarczonych opakowaniach.

1. Zalecenia bezpieczeństwa

- ▶ Przed instalacją urządzenia należy zapoznać się ze wszystkimi "Zaleceniami bezpieczeństwa".
- ▶ "Zalecenia bezpieczeństwa" zawierają bardzo ważne informacje dotyczące bezpieczeństwa. Należy ich bezwzględnie przestrzegać.
- ▶ Przed podłączeniem tego urządzenia do systemu zasilania należy zgłosić ten fakt dostawcy energii elektrycznej lub uzyskać jego zgodę.

ZNACZENIE SYMBOLI ZNAJDUJĄCYCH SIĘ NA URZĄDZENIU

	OSTRZEŻENIE (Ryzyko pożaru)	To oznaczenie dotyczy wyłącznie czynnika chłodniczego R32. Rodzaj czynnika chłodniczego został podany na tabliczce znamionowej jednostki zewnętrznej. Jeśli zastosowany rodzaj czynnika chłodniczego to R32, urządzenie wykorzystuje łatwopalny czynnik chłodniczy. W razie wycieku i kontaktu czynnika chłodniczego z ogniem lub elementem grzejnym powstanie szkodliwy gaz i wystąpi ryzyko pożaru.
		Przed przystąpieniem do obsługi należy uważnie przeczytać INSTRUKCJĘ OBSŁUGI.
		Personel serwisowy ma obowiązek uważnie przeczytać INSTRUKCJĘ OBSŁUGI i INSTRUKCJĘ MONTAŻU przed przystąpieniem do obsługi.
		Dodatkowe informacje można znaleźć w INSTRUKCJI OBSŁUGI, INSTRUKCJI MONTAŻU itp.

Symbole stosowane w tekście

Ostrzeżenie:

Oznacza zalecenia bezpieczeństwa, których należy przestrzegać w celu uniknięcia zagrożenia zranieniem lub śmiercią użytkownika.

Przestroga:

Oznacza zalecenia bezpieczeństwa, których należy przestrzegać w celu uniknięcia uszkodzenia urządzenia.

Ostrzeżenie:

- Należy uważnie czytać etykiety umieszczone na urządzeniu głównym.
- Montaż, przeniesienie i naprawę urządzenia należy zlecić sprzedawcy lub uprawnionemu technikowi.
- Użytkownik nie powinien samodzielnie próbować naprawiać ani przestawiać urządzenia w inne miejsce.
- Nie wykonywać żadnych przeróbek urządzenia.
- Podczas prac instalacyjnych i przenoszenia należy postępować według zaleceń podanych w instrukcji montażu oraz używać narzędzi i rur specjalnie przeznaczonych do użytku z czynnikiem chłodniczym określonym w instrukcji montażu jednostki zewnętrznej.
- Urządzenie należy zainstalować zgodnie z instrukcją celem zminimalizowania ryzyka powstania uszkodzeń spowodowanych trzęsieniem ziemi, tajfunem lub silnym wiatrem. Nieprawidłowo zainstalowane urządzenie może spaść z wysokości i spowodować szkody materialne i/lub obrażenia ciała.
- Urządzenie należy zamontować na konstrukcji, która bezpiecznie wytrzyma jego ciężar.
- Urządzenie należy przechowywać w pomieszczeniu o dobrej wentylacji, którego powierzchnia jest zgodna z zaleceniami dotyczącymi pracy.
- Jeśli klimatyzator zostanie zainstalowany w małym lub zamkniętym pomieszczeniu, należy podjąć odpowiednie kroki, aby w razie wycieku stężenie czynnika chłodniczego w pomieszczeniu nie przekroczyło bezpiecznego poziomu. W razie wycieku i przekroczenia bezpiecznego poziomu czynnika chłodniczego w pomieszczeniu istnieje zagrożenie zmniejszenia zawartości tlenu w powietrzu.
- W miejscu montażu, naprawy lub innych prac przy klimatyzatorze nie powinny znajdować się urządzenia gazowe, grzejniki elektryczne ani inne źródła ognia (źródła zapłonu).
Jeśli dojdzie do kontaktu czynnika chłodniczego z ogniem, zostaną uwolnione trujące gazy.
- Jeśli podczas pracy dojdzie do wycieku czynnika chłodniczego, należy przenieść dane pomieszczenie. Jeśli dojdzie do kontaktu czynnika chłodniczego z ogniem, zostaną uwolnione trujące gazy.
- Wszystkie prace elektryczne muszą być prowadzone przez wykwalifikowanego elektryka zgodnie z lokalnymi przepisami i zaleceniami podanymi w niniejszej instrukcji.
- Do okablowania należy użyć wyłącznie określonych przewodów. Przewody należy odpowiednio podłączyć do listwy zaciskowej tak, aby zaciski nie były naprężone. Ponadto nigdy nie należy łączyć ze sobą przewodów (o ile nie zaznaczono inaczej w niniejszym dokumencie).
Nieprzestrzeganie tych zaleceń może spowodować przegrzanie urządzenia lub pożar.
- Do napełniania przewodów czynnika chłodniczego podczas instalacji, zmiany miejsca pracy lub serwisowania klimatyzatora należy stosować jedynie określony czynnik chłodniczy podany na jednostce zewnętrznej. Nie należy mieszać go z innym czynnikiem chłodniczym ani dopuszczać do pozostawiania powietrza w przewodach.

Symbole stosowane w ilustracjach

 : Oznacza część, która wymaga uziemienia.

 : Nie wolno tego robić.

Po zakończeniu instalacji należy zapoznać klienta z "Zaleceniami bezpieczeństwa" oraz zasadami obsługi i utrzymania ruchu urządzenia w oparciu o informacje zawarte w niniejszej Instrukcji obsługi, a także przeprowadzić pracę próbną w celu sprawdzenia i zapewnienia prawidłowego funkcjonowania urządzenia. Klientowi należy przekazać na własność zarówno Instrukcję montażu, jak i Instrukcję obsługi. Instrukcje te muszą być zawsze przekazywane kolejnym użytkownikom.

Zmieszanie czynnika z powietrzem może spowodować nieprawidłowe wysokie ciśnienie w układzie chłodniczym i doprowadzić do wybuchu bądź innych zagrożeń.

Zastosowanie czynnika innego od określonego dla tego układu spowoduje uszkodzenia mechaniczne, awarię układu lub uszkodzenie urządzenia. W najgorszym przypadku może to doprowadzić do poważnego naruszenia bezpieczeństwa produktu.

- Urządzenie należy zainstalować zgodnie z krajowymi przepisami dotyczącymi instalacji elektrycznych.
- Niniejsze urządzenie nie powinno być obsługiwane przez osoby (w tym dzieci) o ograniczonej sprawności fizycznej, sensorycznej lub umysłowej, albo nieposiadające odpowiedniego doświadczenia i wiedzy, chyba że znajdują się pod opieką lub zostały przeszkolone w zakresie obsługi urządzenia przez osobę odpowiedzialną za ich bezpieczeństwo.
- Należy zadbać o to, aby dzieci nie używały urządzenia do zabawy.
- Osłona listwy zaciskowej urządzenia musi być mocno zamocowana.
- Jeśli przewód sieciowy jest uszkodzony, musi zostać wymieniony przez producenta, przedstawiciela jego serwisu lub osobę o podobnych kwalifikacjach, aby uniknąć zagrożenia.
- Używać tylko wyposażenia dodatkowego dopuszczonego przez Mitsubishi Electric; zlecić montaż sprzedawcy lub uprawnionemu technikowi.
- Po zakończeniu instalacji sprawdzić, czy nie ma nieszczelności w obiegu czynnika chłodniczego. W przypadku wycieku czynnika chłodniczego do wnętrza pomieszczenia i jego kontaktu z płomieniem kotła grzewczego lub palnikiem kuchenki elektrycznej powstają trujące gazy.
- Nie stosować środków przyspieszających proces odszraniania ani czyszczących innych niż zalecane przez producenta.
- Urządzenie należy przechowywać w pomieszczeniu, w którym nie występują stale działające źródła zapłonu (na przykład: otwarty płomień, działające urządzenie gazowe lub działający grzejnik elektryczny).
- Nie przebiegać ani nie palić.
- Należy mieć świadomość, że czynniki chłodnicze mogą nie mieć zapachu.
- Przewody rurowe należy zabezpieczyć przed uszkodzeniem.
- Ograniczyć instalację przewodów rurowych do minimum.
- Należy przestrzegać krajowych przepisów dotyczących gazu.
- Nie zasłaniać żadnych wymaganych otworów wentylacyjnych.
- W przypadku lutowania rur czynnika chłodniczego nie należy używać niskotemperaturowych stopów lutowniczych.
- Podczas lutowania należy zadbać o dobrą wentylację pomieszczenia. Upewnić się, że w pobliżu nie ma żadnych materiałów niebezpiecznych ani łatwopalnych.
- Wykonując prace w zamkniętym lub małym pomieszczeniu albo w podobnym miejscu, przed rozpoczęciem prac należy upewnić się, że nie ma wycieku czynnika chłodniczego.
- Wyciek i nagromadzenie czynnika chłodniczego grozi zapłonem lub uwolnieniem trujących gazów.

1. Zalecenia bezpieczeństwa

1.1. Przed rozpoczęciem instalacji (środowisko)

⚠ Przewaga:

- Nie używać urządzenia w środowisku odbiegającym od normalnego. Jeśli klimatyzator zostanie zainstalowany w miejscu narażonym na działanie pary wodnej, olejków eterycznych (w tym oleju maszynowego), zsiarzonego gazu, powietrza zawierającego sól, na przykład na wybrzeżu, jego wydajność może ulec znaczącemu obniżeniu, a części wewnętrzne mogą ulec uszkodzeniu.
- Nie instalować urządzenia w miejscach, w których może dojść do wycieku, powstania, przepływu lub nagromadzenia palnych gazów. Gaz palny nagromadzony wokół urządzenia może być przyczyną pożaru lub wybuchu.
- Nie przechowywać żywności, roślin, zwierząt w klatkach, dzieł sztuki czy aparatury precyzyjnej w miejscu narażonym na bezpośredni nawiew z jednostki wewnętrznej lub zbyt blisko urządzenia, ponieważ zmiany temperatury lub kapiąca woda mogą być dla nich szkodliwe.
- Kiedy wilgotność w pomieszczeniu przekracza 80% lub kiedy rura spustowa będzie zapchana, z jednostki wewnętrznej może kapać woda. Nie instalować jednostki wewnętrznej w miejscach, gdzie kapiąca woda może wyrządzić szkody.
- W przypadku instalacji urządzenia w szpitalu lub w obiekcie, w którym są zainstalowane systemy telekomunikacji, mogą występować szумы i zakłócenia elektroniczne. Falowniki, sprzęt AGD, sprzęt medyczny pracujący na wysokiej częstotliwości oraz systemy łączności radiowej mogą spowodować awarię lub uszkodzenie klimatyzatora. Klimatyzator również może powodować nieprawidłowości w pracy sprzętu medycznego i urządzeń telekomunikacyjnych, obniżając jakość obrazu na monitorach.

1.2. Przed instalacją lub przenoszeniem

⚠ Przewaga:

- Zachować szczególną ostrożność przy transporcie urządzeń. Urządzenie waży 20 kg lub więcej i musi być przeniesione przez min. dwie osoby. Nie chwycić za taśmę opakowania. Należy nosić rękawice ochronne, ponieważ można skaleczyć dłonie o ożebrowanie lub inne części.
- Zapewnić bezpieczną utylizację materiału opakowania. Materiały opakowania, takie jak gwoździe i inne elementy metalowe oraz drewniane, mogą spowodować rany klute i inne obrażenia ciała.
- Wymagana jest izolacja termiczna rury czynnika chłodniczego, aby zapobiec kondensacji. Jeśli rura czynnika chłodniczego nie zostanie odpowiednio zaizolowana, dojdzie do kondensacji.
- Zabezpieczyć rury izolacją termiczną, aby zapobiec kondensacji. Jeśli rura spustowa zostanie zainstalowana nieprawidłowo, może dojść do wycieku wody i uszkodzenia sufitu, podłogi, mebli lub innego mienia.
- Nie używać wody do mycia klimatyzatora. Ryzyko porażenia prądem elektrycznym.
- Dokręcić nakrętki kielichowe zgodnie ze specyfikacją, używając klucza dynamometrycznego. Zbyt mocne dokręcenie może doprowadzić do pęknięcia nakrętki kielichowej po dłuższym czasie.
- Jeśli urządzenie pracuje przez długie godziny, gdy powietrze nad sufitem ma wysoką temperaturę/wysoką wilgotność (punkt rosy powyżej 26°C), na jednostce wewnętrznej lub materiałach sufitu mogą pojawić się skropliny. W przypadku pracy urządzeń w takich warunkach należy całą powierzchnię urządzenia i materiały sufitu wyłożyć materiałem izolacyjnym (10–20 mm), aby uniknąć skroplin.

1.3. Przed rozpoczęciem prac na wyposażeniu elektrycznym

⚠ Przewaga:

- Upewnić się, że zainstalowano wyłączniki automatyczne. Ich brak może być przyczyną porażenia prądem elektrycznym.
- Do doprowadzenia zasilania użyć standardowych kabli odpowiednich do wielkości obciążenia. W przeciwnym razie może dojść do zwarcia, przegrzania lub pożaru.
- Kable zasilające układać tak, aby nie były naprężone.
- Wykonać prawidłowe uziemienie urządzenia. Niewłaściwe uziemienie urządzenia może stwarzać ryzyko porażenia prądem elektrycznym.
- Zastosować wyłączniki automatyczne (wyłączniki ziemnozwarciowe, odłączniki (bezpieczniki +B) oraz automatyczne wyłączniki kompaktowe) spełniające wymagania w zakresie podanego progu zadziałania. Użycie wyłączników o progu zadziałania większym niż podany może być przyczyną uszkodzenia urządzenia lub pożaru.

1.4. Przed rozpoczęciem pracy próbnej

⚠ Przewaga:

- Włączyć główny przełącznik zasilania na min. 12 h przed rozpoczęciem pracy. Uruchomienie urządzenia natychmiast po włączeniu zasilania może spowodować poważne uszkodzenie podzespołów wewnętrznych.
- Przed rozpoczęciem pracy urządzenia sprawdzić, czy wszystkie osłony, obudowy oraz pozostałe zabezpieczenia zostały prawidłowo założone. Części wirujące, gorące lub znajdujące się pod wysokim napięciem mogą powodować obrażenia ciała.
- Nie obsługiwać klimatyzatora bez założonego filtra powietrza. Brak filtra powietrza może spowodować gromadzenie się kurzu, prowadząc do awarii.
- Nie dotykać żadnych przełączników wilgotnymi rękoma. Ryzyko porażenia prądem elektrycznym.
- Podczas pracy nie dotykać przewodów czynnika chłodniczego gołymi rękoma.
- Po zakończeniu pracy odczekać min. pięć minut przed wyłączeniem głównego wyłącznika zasilania. W przeciwnym razie może dojść do wycieku wody lub uszkodzenia urządzenia.

2. Miejsce instalacji

Patrz instrukcja instalacji jednostki zewnętrznej.

3. Montaż jednostki wewnętrznej

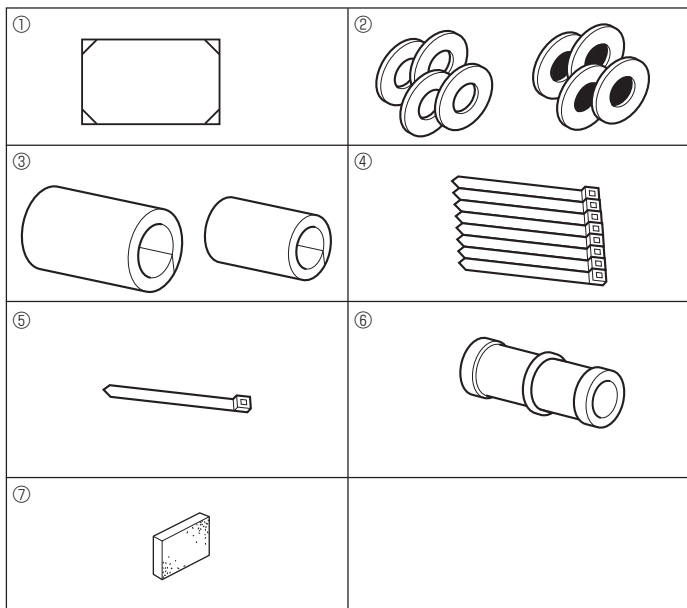


Fig. 3-1

3.1. Sprawdzić wyposażenie jednostki wewnętrznej (Fig. 3-1)

Jednostka wewnętrzna powinna zostać dostarczona z następującymi akcesoriami.

	Nazwa akcesorium	Ilość
①	Szablon montażowy (górna część opakowania)	1
②	Podkładki (z izolacją)	4
	Podkładki (bez izolacji)	4
③	Ostona rury (do złącza rur czynnika chłodniczego)	
	Mała średnica	1
	Duża średnica	1
④	Obejma (duża)	8
⑤	Obejma (mała)	1
⑥	Gniazdo spustowe	1
⑦	Izolacja	1

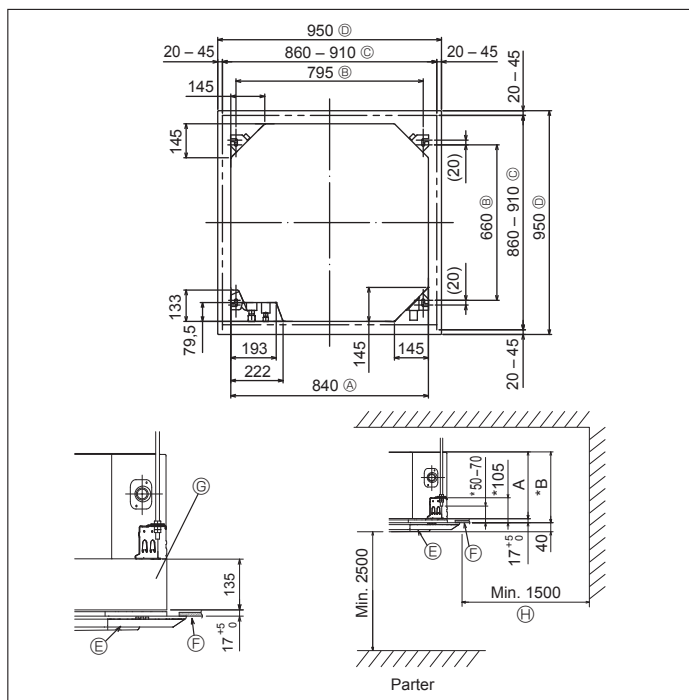


Fig. 3-2

3.2. Położenie otworów w suficie i instalacja śrub podwieszających (Fig. 3-2)

⚠ Przewaga:
Jednostkę wewnętrzną należy zamontować co najmniej 2,5 m nad podłogą lub poziomem gruntu.

W przypadku urządzeń niedostępnych dla ogółu społeczeństwa.

• Używając szablonu montażowego (górna część opakowania) i przymiaru (dostarczonego jako wyposażenie dodatkowe z kratką), należy wykonać otwór w suficie w celu zainstalowania urządzenia głównego, zgodnie z rysunkiem. (Przedstawiono metodę wykorzystania szablonu i przymiaru).

* Przed użyciem należy sprawdzić wymiary szablonu i przymiaru, ponieważ zmieniają się one ze względu na wahania temperatury i wilgotności.

* Wymiary otworu w suficie można regulować w zakresie pokazanym na Fig. 3-2; wyśrodkować urządzenie główne w otworze sufitowym, upewniając się, że odległości między przeciwległymi bokami urządzenia ze wszystkich stron są identyczne.

• Należy użyć śrub podwieszających M10 (3/8").

* W śruby podwieszające należy zaopatrzyć się na miejscu.

• Montaż należy wykonać starannie, upewniając się, że między panelem sufitowym i kratką oraz między urządzeniem głównym i kratką nie ma szczelin.

- | | |
|---|----------------------------------|
| Ⓐ Zewnętrzna strona urządzenia głównego | Ⓔ Kratka |
| Ⓑ Rozstaw śrub | Ⓕ Sufit |
| Ⓒ Otwór w suficie | Ⓖ Kasetka wielofunkcyjna (opcja) |
| Ⓓ Zewnętrzna strona kratki | Ⓖ Cale obrzeże |

* Należy pamiętać, że odległość między panelem sufitowym urządzenia i płytą sufitową itp. powinna wynosić co najmniej 7 mm.

* W przypadku montażu opcjonalnej kasetki wielofunkcyjnej należy dodać 135 mm do wymiarów podanych na rysunku.

(mm)

Modele	A	B
SM71	241	258
SM100-140	281	298

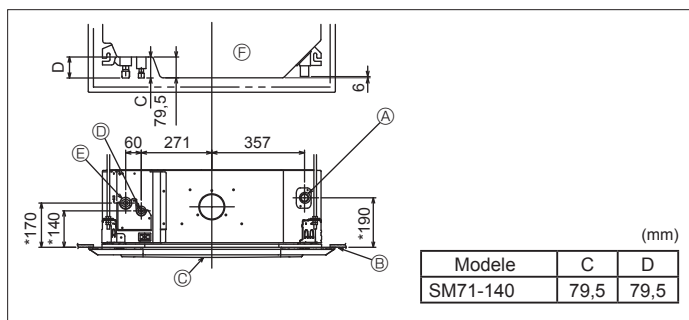


Fig. 3-3

3.3. Położenie rur czynnika chłodniczego i spustowej w jednostce wewnętrznej (Fig. 3-3)

Wartości oznaczone symbolem * na rysunku oznaczają wymiary urządzenia głównego bez opcjonalnej kasetki wielofunkcyjnej.

- | |
|--------------------------------------|
| Ⓐ Rura spustowa |
| Ⓑ Sufit |
| Ⓒ Kratka |
| Ⓓ Rura czynnika chłodniczego (ciecz) |
| Ⓔ Rura czynnika chłodniczego (gaz) |
| Ⓕ Urządzenie główne |

* W przypadku montażu opcjonalnej kasetki wielofunkcyjnej należy dodać 135 mm do wymiarów podanych na rysunku.

Modele	C	D
SM71-140	79,5	79,5

3. Montaż jednostki wewnętrznej

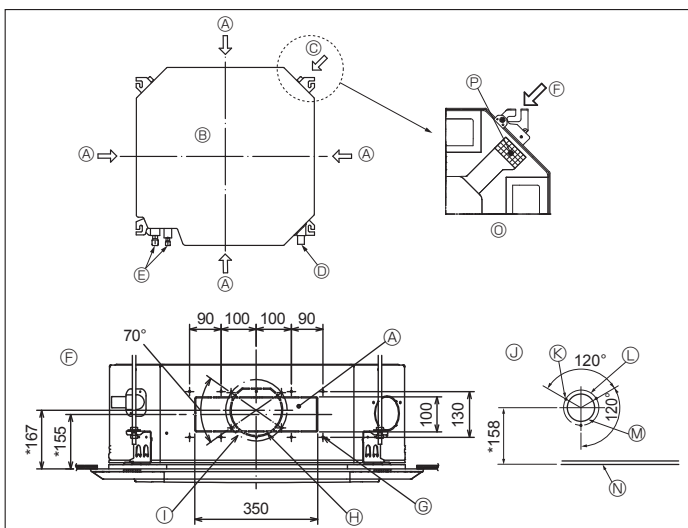


Fig. 3-4

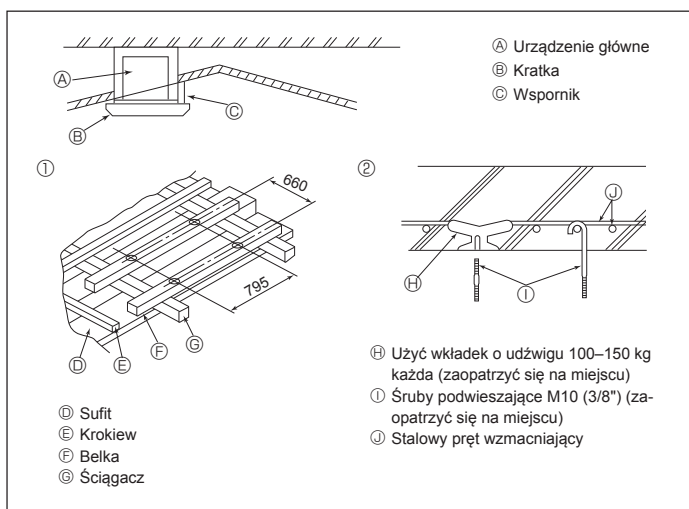


Fig. 3-5

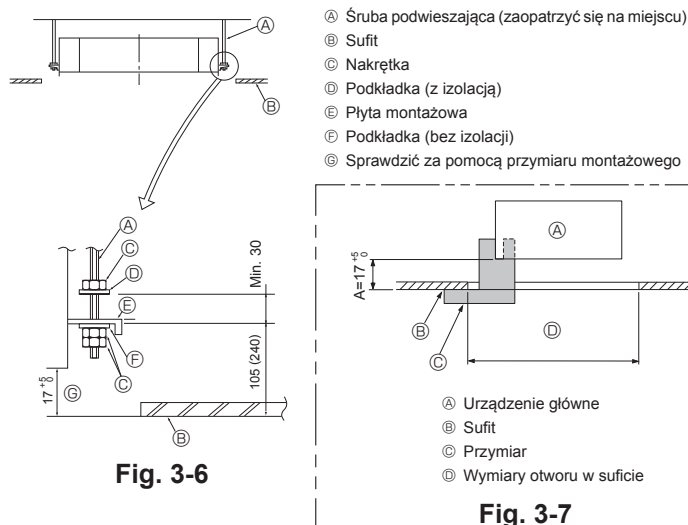


Fig. 3-6

Fig. 3-7

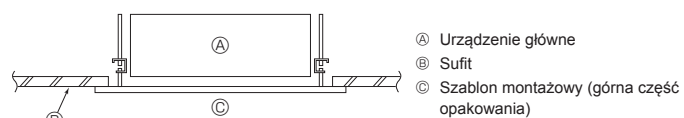


Fig. 3-8

3.4. Otwór na kanał odgałęziony i otwór na wlot świeżego powietrza (Fig. 3-4)

W razie potrzeby podczas montażu należy wykorzystać otwory na kanały (wycięte) umieszczone w miejscach pokazanych na Fig. 3-4.

Można także wykonać otwór na wlot świeżego powietrza dla opcjonalnej kasy wielofunkcyjnej.

- Uwaga:**
- Wartości oznaczone symbolem * na rysunku oznaczają wymiary urządzenia głównego bez opcjonalnej kasy wielofunkcyjnej.
 - W przypadku montażu opcjonalnej kasy wielofunkcyjnej należy dodać 135 mm do wymiarów podanych na rysunku.
 - W przypadku montażu kanałów odgałęzionych należy wykonać odpowiednią izolację. W przeciwnym razie może wystąpić kondensacja pary wodnej i kapanie.
 - W przypadku wykonywania otworu na wlot świeżego powietrza należy usunąć zabezpieczenie (P), przymocowane na jednostce wewnętrznej.
 - Kiedy powietrze zewnętrzne przepływa bezpośrednio przez urządzenie główne, ilość powietrza wlotowego powinna stanowić maksymalnie 5% ilości powietrza jednostki wewnętrznej.
 - W celu doprowadzenia powietrza zewnętrznego wymagany jest wentylator kanałowy i filtr przeciwkurzowy, aby zapobiec wciągnięciu kurzu i innych zanieczyszczeń. Szczegółowe informacje zawiera punkt "Ilość doprowadzanego świeżego powietrza i charakterystyka ciśnienia statycznego" w DANYCH TECHNICZNYCH serii P.
 - Doprowadzenie powietrza zewnętrznego do urządzenia głównego może zwiększyć hałas podczas pracy.

- | | |
|---|---|
| A Otwór na kanał odgałęziony | J Zakres obróbki otworu $\varnothing 175$ |
| B Urządzenie główne | K Schemat otworu na wlot świeżego powietrza |
| C Otwór na wlot świeżego powietrza | L Wkręty samogwintujące 3-4x10 |
| D Rura spustowa | M Zakres obróbki otworu $\varnothing 125$ |
| E Rura czynnika chłodniczego | N Wycięty otwór $\varnothing 100$ |
| F Schemat otworu na kanał odgałęziony (patrząc z dowolnej strony) | O Szczegółowy rysunek usuwania zabezpieczenia |
| G Wkręty samogwintujące 14-4x10 | P Izolacja |
| H Wycięty otwór $\varnothing 150$ | |

3.5. Konstrukcja podwieszenia (miejsce podwieszenia powinno mieć wytrzymałą konstrukcję) (Fig. 3-5)

Prace przy suficie różnią się w zależności od konstrukcji budynku. Szczegółowe informacje należy uzyskać od wykonawców budynku lub dekoratorów wnętrz.

- (1) Zakres rozbiórki sufitu: Sufit musi pozostać całkowicie wyposażony, a konstrukcja sufitu (ruszt: listwy drewniane i uchwyty listew) muszą zostać wzmocnione, aby zabezpieczyć sufit przed wibracjami.
- (2) Wyciąć i usunąć podbudowę sufitu.
- (3) Wzmocnić końce podbudowy sufitu w miejscach przecięcia i dodać podbudowę sufitu w celu zamocowania płyty sufitowej.
- (4) W przypadku montażu jednostki wewnętrznej na skośnym suficie należy zastosować wspornik między sufitem i kratką, aby urządzenie było zamontowane poziomo.

- 1 Konstrukcje drewniane
 - Wykorzystać belki stropowe (zarówno budynki parterowe, jak i piętrowe) jako elementy wzmocniające.
 - Belki drewniane do podwieszenia klimatyzatorów powinny być solidnymi elementami o bokach minimum 6 cm szerokości, jeśli są oddalone od siebie maksymalnie 90 cm, lub o bokach minimum 9 cm szerokości, jeśli są oddalone od siebie maksymalnie 180 cm. Należy użyć śrub podwieszających o rozmiarze $\varnothing 10$ (3/8"). (Śruby nie są dostarczane z urządzeniem).
- 2 Konstrukcje żelbetowe
 - Zamocować śruby podwieszające, wykorzystując pokazaną metodę, ewentualnie użyć wieszaków stalowych lub drewnianych itp. do instalacji śrub podwieszających.

3.6. Procedury podwieszania urządzenia (Fig. 3-6)

Podwiesić urządzenie główne zgodnie z rysunkiem. Wartości w nawiasach oznaczają wymiary w przypadku montażu opcjonalnej kasy wielofunkcyjnej.

1. Przed przystąpieniem do pracy należy założyć części na śruby podwieszające w następującej kolejności: podkładki (z izolacją), podkładki (bez izolacji) i nakrętki (podwójne).
 - Dopasować podkładkę do zabezpieczenia tak, aby izolacja była skierowana w dół.
 - W przypadku użycia górnych podkładek do podwieszenia urządzenia głównego, dolne podkładki (z izolacją) i nakrętki (podwójne) należy założyć później.
2. Umieścić urządzenie na odpowiednią wysokość śrub podwieszających, aby umieścić płytę montażową między podkładkami, po czym starannie ją zamocować.
3. Jeśli urządzenia głównego nie można dopasować do otworu montażowego w suficie, można je wyregulować dzięki szczelinie znajdującej się na płycie montażowej.
 - Dopilnować, aby element A został umieszczony w zakresie 17–22 mm. W przeciwnym razie może dojść do uszkodzenia. (Fig. 3-7).

⚠ Przystroga: Wykorzystać górną część opakowania jako zabezpieczenie przed dostaniem się kurzu lub drobnych zanieczyszczeń do wnętrza urządzenia przed montażem pokrywy dekoracyjnej lub pokrycia sufitowego.

3.7. Sprawdzanie położenia urządzenia głównego i dokręcanie śrub podwieszających (Fig. 3-8)

- Wykorzystując przymiar przymocowany do kratki, należy upewnić się, że spód urządzenia głównego jest odpowiednio wyrównany w otworze sufitowym. Należy to sprawdzić, ponieważ w przeciwnym razie może wystąpić kondensacja pary wodnej i kapanie z powodu wypływu powietrza itp.
- Upewnić się, że urządzenie główne jest wypoziomowane, używając poziomicy lub winylowej rurki napędlonej wodą.
- Po sprawdzeniu położenia urządzenia głównego należy starannie dokręcić nakrętki śrub podwieszających, aby przymocować urządzenie główne.
- Szablon montażowy (górną część opakowania) można wykorzystać jako zabezpieczenie, aby zapobiec dostaniu się kurzu do urządzenia głównego, kiedy kratki nie są jeszcze zamocowane lub w czasie zakładania pokrywy sufitowej po zakończeniu montażu urządzenia.
- Szczegółowy opis montażu został podany w instrukcjach na szablonie montażowym. (górną część opakowania)

4. Instalacja rur czynnika chłodniczego

4.1. Środki ostrożności

Urządzenia wykorzystujące czynnik chłodniczy R32/R410A

- Jako olej chłodniczy do smarowania rur kielichowanych powinien być używany olej alkilobenzenowy (niewielka ilość).
- W przypadku bezszwowych rur miedzianych lub ze stopów miedzi do łączenia rur czynnika chłodniczego należy używać stopu miedzi z fosforem C1220. Należy użyć rur czynnika chłodniczego o grubości podanej w tabeli poniżej. Upewnić się, że rury są wewnątrz czyste i nie zawierają żadnych szkodliwych zanieczyszczeń, takich jak związki siarki, utleniacze, zabrudzenia lub pył.

⚠ Ostrzeżenie:

Do napełniania przewodów czynnika chłodniczego podczas instalacji, zmiany miejsca pracy lub serwisowania klimatyzatora należy stosować jedynie określony czynnik chłodniczy podany na jednostce zewnętrznej. Nie należy mieszać go z innym czynnikiem chłodniczym ani dopuszczać do pozostawiania powietrza w przewodach.

Zmieszanie czynnika z powietrzem może spowodować nieprawidłowe wysokie ciśnienie w układzie chłodniczym i doprowadzić do wybuchu bądź innych zagrożeń.

Zastosowanie czynnika innego od określonego dla tego układu spowoduje uszkodzenia mechaniczne, awarię układu lub uszkodzenie jednostki. W najgorszym przypadku może to doprowadzić do poważnego naruszenia bezpieczeństwa produktu.

ø 6,35 Grubość 0,8 mm	ø 9,52 Grubość 0,8 mm
ø 12,7 Grubość 0,8 mm	ø 15,88 Grubość 1,0 mm

- Nie używać rur cieńszych niż podane powyżej.

4.2. Łączenie rur (Fig. 4-1)

- Używając dostępnych w sprzedaży rur miedzianych, należy owinąć rury cieczowe i gazowe dostępnymi w sprzedaży materiałami izolacyjnymi (odpornymi na wysoką temperaturę do 100°C lub wyższą, o grubości 12 mm lub większej).
- Przed dokręceniem nakrętki kielichowej należy nasmarować powierzchnię połączenia rury i złączki cienką warstwą oleju chłodniczego.
- Połączenia rurowe należy dokręcać za pomocą dwóch kluczy.
- Połączenia jednostki wewnętrznej należy zaizolować, wykorzystując dostarczoną izolację do rur czynnika chłodniczego. Izolacja powinna zostać wykonana starannie.
- Po podłączeniu rur czynnika chłodniczego do jednostki wewnętrznej należy sprawdzić przy użyciu azotu, czy przez połączenia rurowe nie ulecia gaz. (Sprawdzić, czy z rury czynnika chłodniczego do jednostki wewnętrznej nie ulecia gaz).
- Należy użyć nakrętki kielichowej zainstalowanej w tej jednostce wewnętrznej.
- W przypadku ponownego podłączania rur czynnika chłodniczego po ich odłączeniu należy ponownie wykonać kielichowanie rury.

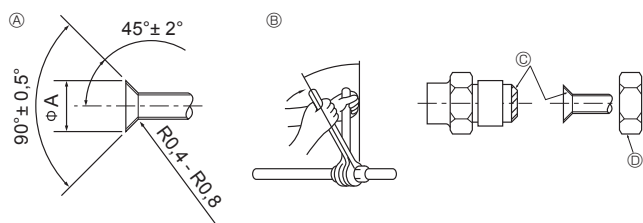


Fig. 4-1

A) Wymiary przycinania kielichów

Rura miedziana, śr. zewn. (mm)	Wymiary kielichów Wymiary øA (mm)
ø 6,35	8,7–9,1
ø 9,52	12,8–13,2
ø 12,7	16,2–16,6
ø 15,88	19,3–19,7

B) Moment dokręcania nakrętek kielichowych

Rura miedziana, śr. zewn. (mm)	Nakrętka kielichowa, śr. zewn. (mm)	Moment dokręcania (N·m)
ø 6,35	17	14 - 18
ø 6,35	22	34 - 42
ø 9,52	22	34 - 42
ø 12,7	26	49 - 61
ø 15,88	29	68 - 82

© Nasmarować całą powierzchnię połączenia kielichowego olejem do chłodziarek.

Ⓣ Należy użyć odpowiednich nakrętek kielichowych, które odpowiadają rozmiarom rur jednostki zewnętrznej.

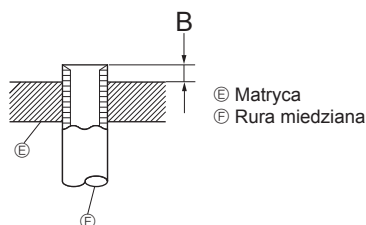


Fig. 4-2

Rura miedziana, śr. zewn. (mm)	B (mm)	
	Kielichownica do R32/R410A	Typ bloku zaciskowego
ø 6,35 (1/4")	0 - 0,5	
ø 9,52 (3/8")	0 - 0,5	
ø 12,7 (1/2")	0 - 0,5	
ø 15,88 (5/8")	0 - 0,5	

Dostępne rozmiary rur

	SM71-140
Strona cieczowa	ø 9,52 O
Strona gazowa	ø 15,88 O

O : Fabryczne mocowanie nakrętki kielichowej do wymiennika ciepła.

⚠ Ostrzeżenie:

- **Uwaga na możliwość wypchnięcia nakrętki kielichowej (ciśnienie może spowodować jej wypchnięcie od wewnątrz)!**
Nakrętki kielichowe należy usuwać w określony poniżej sposób:
 1. Odkręcać nakrętkę, aż do usłyszenia syczenia.
 2. Nie usuwać nakrętki, aż gaz nie zostanie uwolniony w całości (tj. syczenie ustanie).
 3. Sprawdzić, czy gaz został uwolniony w całości, a następnie usunąć nakrętkę.
- Podczas instalacji urządzenia, przed uruchomieniem sprężarki należy starannie podłączyć rury czynnika chłodniczego.

4. Instalacja rur czynnika chłodniczego

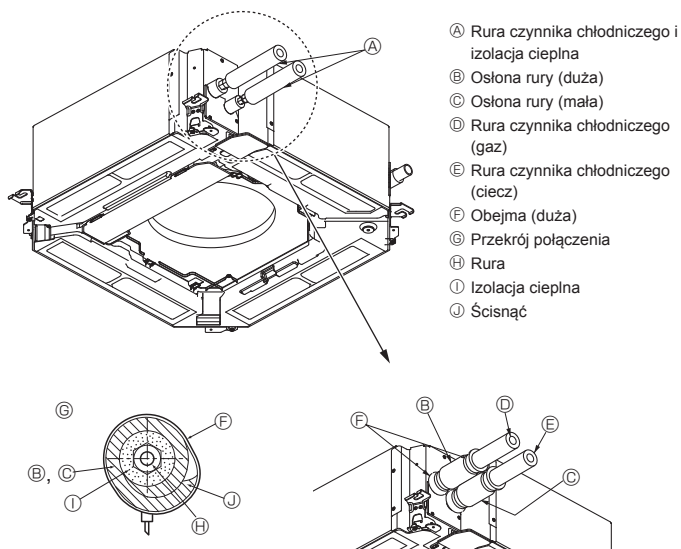


Fig. 4-3

Izolacja cieplna rur czynnika chłodniczego (Fig. 4-3)

- Owinąć dołączoną osłonę rury dużego rozmiaru wokół rury gazowej, upewniając się, że koniec osłony rury dotyka boku urządzenia.
- Owinąć dołączoną osłonę rury małego rozmiaru wokół rury ciekowej, upewniając się, że koniec osłony rury dotyka boku urządzenia.
- Zamocować oba końce każdej osłony rury za pomocą dołączonych obejm. (Zamocować obejmę w odległości 20 mm od końców osłony rury).

4.3. Układy twin

Patrz instrukcja instalacji jednostki zewnętrznej.

Niektórych urządzeń zewnętrznych nie można używać w układzie podwójnym.

5. Montaż rur spustowych

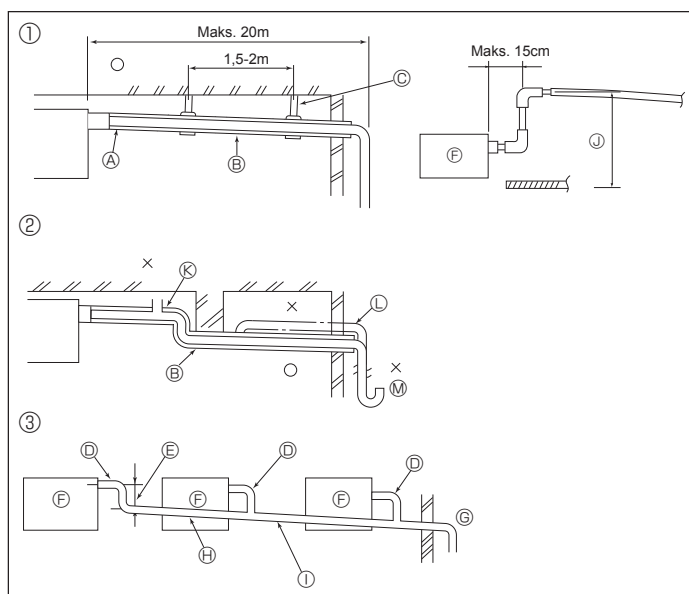


Fig. 5-1

5.1. Montaż rur spustowych (Fig. 5-1)

- Znajdujące się w pomieszczeniu odcinki rury odprowadzającej skropliny należy owinąć materiałem izolacyjnym z pianki polietylenowej (ciężar właściwy 0,03, grubość 9 mm lub większa).
 - Do orurowania spustowego użyć rur VP25 (rura z PCW, śr. zewn. $\varnothing 32$) i zapewnić spadek przynajmniej 1/100.
 - Łączenia rur należy zabezpieczyć taśmą klejącą PCW.
 - Montaż rur należy wykonać zgodnie z rysunkiem.
 - Wykorzystać dostarczony wąż spustowy, aby zmienić kierunek odprowadzania.
 - Podczas montażu rur spustowych należy stosować metalowe wsporniki.
- Jeśli na gniazdo spustowe działa siła powodująca uszkodzenie lub odłączenie węża, może dojść do wycieków wody.

- | | |
|--|---|
| ① Prawidłowe orurowanie | ⑥ Dobrac duży rozmiar rury dla zgrupowanego orurowania. |
| ② Nieprawidłowe orurowanie | ⑦ Nachylenie w dół (1/100 lub większe) |
| ③ Kilka rur | ⑧ Rura z PCW, śr. zewn. $\varnothing 38$ do zgrupowanego orurowania. (izolacja 9 mm lub więcej) |
| A Izolacja (9 mm lub więcej) | ⑨ Do 85 cm |
| B Nachylenie w dół (1/100 lub większe) | ⑩ Odpowietrznik |
| C Metalowy wspornik | ⑪ Uniesiony |
| D Rura z PCW, śr. zewn. $\varnothing 32$ | ⑫ Syfon |
| E Jak największy (około 10 cm) | |
| F Urządzenie główne | |

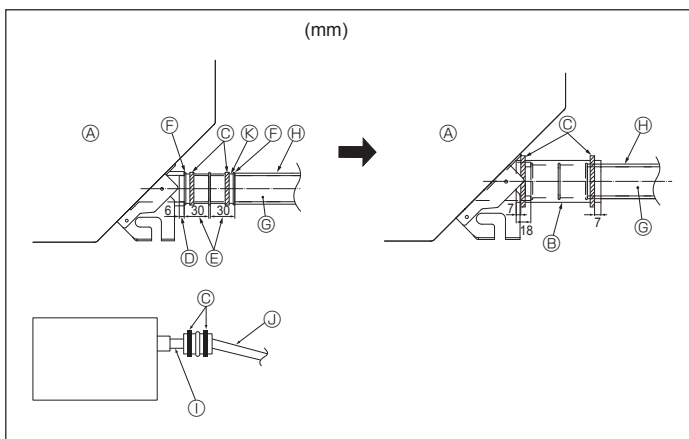


Fig. 5-2

- Podłączyć gniazdo spustowe (dostarczone z urządzeniem) do portu spustowego. (Fig. 5-2). (Przymocować rurę, używając taśmy klejącej PCW, po czym zabezpieczyć za pomocą obejm).
- Zainstalować lokalnie kupioną rurę spustową (rura z PCW, śr. zewn. $\varnothing 32$). (Przymocować rurę, używając taśmy klejącej PCW, po czym zabezpieczyć za pomocą obejm).
- Sprawdzić, czy woda przepływa bez przeszkód.
- Zaizolować port spustowy materiałem izolacyjnym, a następnie zabezpieczyć materiał obejmą. (Materiał izolacyjny i obejmę zostały dostarczone z urządzeniem).
- Zaizolować obie rury. (rura z PCW, śr. zewn. $\varnothing 32$)

- | | |
|---------------------------------|--|
| A Urządzenie główne | ⑤ Rura spustowa (rura z PCW, śr. zewn. $\varnothing 32$) |
| B Materiał izolacyjny | ⑥ Materiał izolacyjny (kupiony lokalnie) |
| C Obejma (duża) | ⑦ Przezroczysta rura z PCW |
| D Port spustowy (przezroczysty) | ⑧ Rura z PCW, śr. zewn. $\varnothing 32$ (nachylenie 1/100 lub więcej) |
| E Margines wstawiania | ⑨ Gniazdo spustowe |
| F Dopasowanie | |

6. Instalacja elektryczna

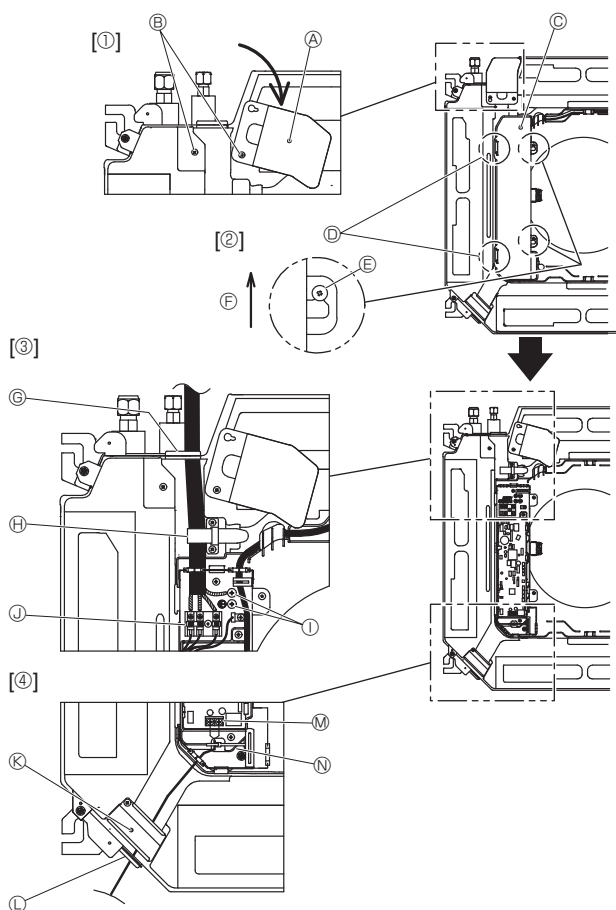


Fig. 6-1

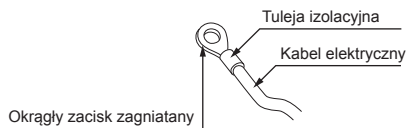


Fig. 6-2

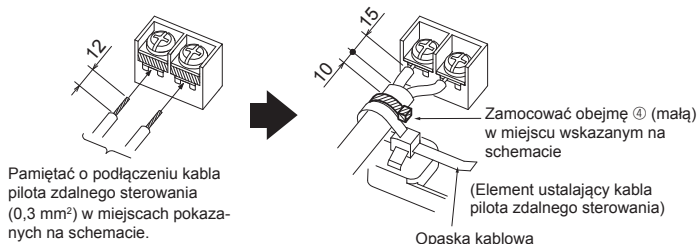


Fig. 6-3

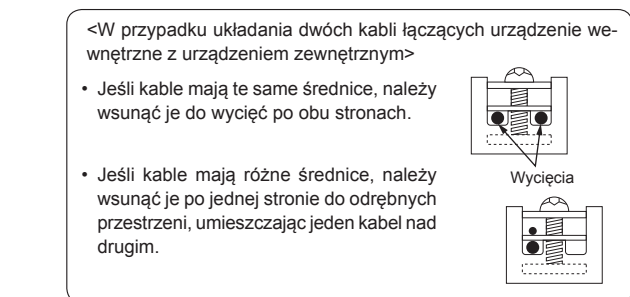


Fig. 6-5

6.1. Jednostka wewnętrzna (Fig. 6-1)

- Odkręć dwie śruby mocujące panel serwisowy okablowania elektrycznego, aby go otworzyć. [Fig. 6-1 ①]
 - Odkręć dwie śruby mocujące pokrywę skrzynki elektrycznej, a następnie przesuń pokrywę. [Fig. 6-1 ②]
 - Przeprowadź kabel zasilania, kabel połączeniowy jednostki wewnętrznej/zewnętrznej i kabel uziemienia przez odpowiednie przepusty kablowe pokazane na rysunku. [Fig. 6-1 ③]
Umieść izolowaną część kabla zasilania i kabla połączeniowego jednostki wewnętrznej/zewnętrznej w skrzynce elektrycznej.
W zacisku podłączania jednostki wewnętrznej-zewnętrznej oraz w opcjonalnym zestawie zacisków zasilania należy użyć okrągłych zacisków zagniatanych. [Fig. 6-2]
Jeśli nie można użyć okrągłych zacisków zagniatanych, należy postępować zgodnie z procedurą na Fig. 6-3 - 6-6.
Połączenie zostało pokazane na rysunkach 6.1.1. i 6.1.2.
 - Przeprowadzić i podłączyć kabel pilota zdalnego sterowania przez przepusty kablowe przedstawione na schemacie. [Fig. 6-1 ④, Fig. 6-3]
Połączenie zostało pokazane na rysunkach 6.1.1. i 6.1.2.
- Uważaj, aby nie poluzować śrub zacisków.

Moment dokręcenia

	Moment dokręcenia (N·m)
Listwa zaciskowa pilota zdalnego sterowania	1,2 ± 0,1
Listwa zaciskowa podłączania jednostki wewnętrznej-zewnętrznej	1,6 ± 0,1
Kabel uziemienia	1,6 ± 0,1

- Zostaw nadmiar kabla, aby umożliwić podwieszenie skrzynki elektrycznej pod urządzeniem podczas serwisowania (ok. 50–100 mm).

- ① Panel serwisowy okablowania elektrycznego
- ② Śruba
- ③ Pokrywa skrzynki elektrycznej
- ④ Zacpek tymczasowy na pokrywę skrzynki elektrycznej
- ⑤ Śruba
- ⑥ Kierunek przesuwania pokrywy skrzynki elektrycznej
- ⑦ Włot kabla zasilania i kabla połączeniowego jednostki wewnętrznej/zewnętrznej
- ⑧ Zamocuj opaskę kablową.
- ⑨ Kabel uziemienia
- ⑩ Zacisk połączeniowy jednostki wewnętrznej/zewnętrznej
- ⑪ Panel serwisowy okablowania elektrycznego (pilot zdalnego sterowania)
- ⑫ Wejście przewodowego pilota zdalnego sterowania
- ⑬ Zacisk przewodowego pilota zdalnego sterowania
- ⑭ Zamocuj opaskę kablową.

⚠ Przewaga:

- Przewody kabla pilota zdalnego sterowania muszą być oddalone (przynajmniej o 5 cm) od przewodów zasilania, aby nie występowały zakłócenia elektryczne powodowane przez przewody zasilania.

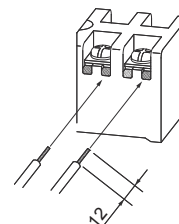


Fig. 6-4

- Rowek w kształcie litery U otwiera się po naciśnięciu łba śruby po jej odkręceniu.

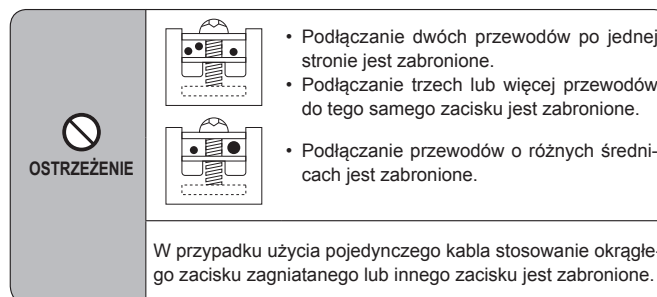


Fig. 6-6

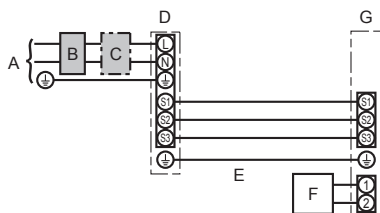
6. Instalacja elektryczna

6.1.1. Zasilanie jednostki wewnętrznej za pośrednictwem jednostki zewnętrznej

Dostępne są następujące schematy połączeń.

Schematy zasilania jednostki zewnętrznej różnią się w poszczególnych modelach.

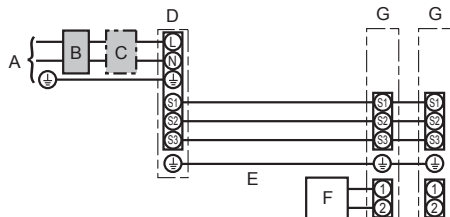
Układ 1:1



- A Zasilanie jednostki zewnętrznej
- B Wyłącznik różnicowoprądowy
- C Wyłącznik automatyczny lub odłącznik instalacji elektrycznej
- D Jednostka zewnętrzna
- E Kable połączeniowe jednostki wewnętrznej/zewnętrznej
- F Pilot zdalnego sterowania
- G Jednostka wewnętrzna

* W pobliżu schematów okablowania jednostek wewnętrznej i zewnętrznej należy przymocować etykietę A dołączoną do instrukcji.

Praca równoczesna w układzie twin



- A Zasilanie jednostki zewnętrznej
- B Wyłącznik różnicowoprądowy
- C Wyłącznik automatyczny lub odłącznik instalacji elektrycznej
- D Jednostka zewnętrzna
- E Kable połączeniowe jednostki wewnętrznej/zewnętrznej
- F Pilot zdalnego sterowania
- G Jednostka wewnętrzna

* W pobliżu schematów okablowania jednostek wewnętrznej i zewnętrznej należy przymocować etykietę A dołączoną do instrukcji.

Uwaga:

Niektórych urządzeń nie można używać w układzie podwójnym. Szczegółowe informacje można znaleźć w instrukcji instalacji urządzenia zewnętrznego.

Model jednostki wewnętrznej		PLA
Przewód elektryczny, liczba x średnica żył (mm ²)	Jednostka wewnętrzna – jednostka zewnętrzna *1	3 × 1,5 (biegunowy)
	Uziemienie: jednostka wewnętrzna – jednostka zewnętrzna *1	1 × min. 1,5
	Uziemienie jednostki wewnętrznej	1 × min. 1,5
	Zdalny sterownik – jednostka wewnętrzna *2	2 × 0,3 (niebiegunowy)
Wartość znamionowa	Jednostka wewnętrzna (ogrzewanie) L-N *3	—
	Jednostka wewnętrzna – jednostka zewnętrzna S1 – S2 *3	230 V AC
	Jednostka wewnętrzna – jednostka zewnętrzna S2 – S3 *3	24 V DC
	Zdalny sterownik – jednostka wewnętrzna *3	12 V DC

*1. <W przypadku jednostek zewnętrznych 71-140>

Maks. 45 m

W przypadku 2,5 mm², maks. 50 m

W przypadku 2,5 mm² i oddzielnego S3, maks. 80 m

*2. Maks. 500 m

(W przypadku użycia 2 pilotów zdalnego sterowania, maksymalna długość ich przewodów wynosi 200 m).

*3. Przedstawione liczby NIE we wszystkich wypadkach biorą pod uwagę uziemienie.

Między zaciskiem S3 i S2 jest napięcie stałe 24 V DC. Jednak w przypadku S3 i S1 zaciski te nie są izolowane elektrycznie przez transformator ani inne urządzenie.

- Uwagi:**
- Średnica przewodów musi być zgodna z odpowiednimi przepisami lokalnymi i krajowymi.
 - Kable zasilające i kable połączeniowe jednostek wewnętrznej/zewnętrznej nie mogą być niższej jakości od przewodu elastycznego w powłoce polichloroprenowej. (zgodnie z normą 60245 IEC 57).
 - Zamocować przewód uziemienia o długości większej niż pozostałe przewody.
 - Przewody połączeniowe jednostek wewnętrznej i zewnętrznej są polaryzowane. Należy dopasować numery zacisków (S1, S2, S3) do odpowiednich przewodów.
 - Przewody kabla pilota zdalnego sterowania muszą być oddalone (przynajmniej o 5 cm) od przewodów zasilania, aby nie występowały zakłócenia elektryczne powodowane przez przewody zasilania.

⚠ Ostrzeżenie:

Nigdy nie łączyć ze sobą (przez splatanie) przewodu zasilającego ani przewodu łączącego jednostkę zewnętrzną z wewnętrzną, ponieważ może to spowodować powstanie dymu, ognia lub błędów komunikacji.

6. Instalacja elektryczna

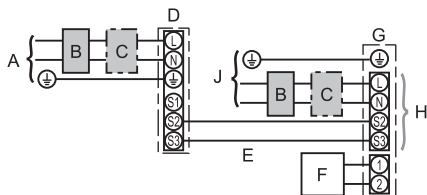
6.1.2. Oddzielne zasilanie jednostek wewnętrznej/zewnętrznej (tylko w przypadku PUHZ)

Dostępne są następujące schematy połączeń.

Schematy zasilania jednostki zewnętrznej różnią się w poszczególnych modelach.

Układ 1:1

* Wymagany jest zestaw zacisków zasilania jednostki wewnętrznej.

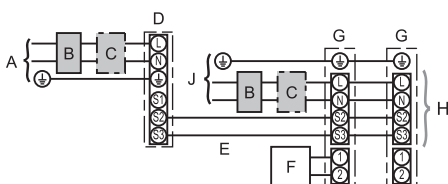


- A Zasilanie jednostki zewnętrznej
- B Wyłącznik różnicowoprądowy
- C Wyłącznik automatyczny lub odłącznik instalacji elektrycznej
- D Jednostka zewnętrzna
- E Kable połączeniowe jednostki wewnętrznej/zewnętrznej
- F Pilot zdalnego sterowania
- G Jednostka wewnętrzna
- H Opcja
- J Zasilanie jednostki wewnętrznej

* W pobliżu schematów okablowania jednostek wewnętrznej i zewnętrznej należy przymocować etykietę B dołączoną do instrukcji.

Praca równoczesna w układzie twin

* Wymagane są zestawy zacisków zasilania jednostek wewnętrznych.



- A Zasilanie jednostki zewnętrznej
- B Wyłącznik różnicowoprądowy
- C Wyłącznik automatyczny lub odłącznik instalacji elektrycznej
- D Jednostka zewnętrzna
- E Kable połączeniowe jednostki wewnętrznej/zewnętrznej
- F Pilot zdalnego sterowania
- G Jednostka wewnętrzna
- H Opcja
- J Zasilanie jednostki wewnętrznej

* W pobliżu schematów okablowania jednostek wewnętrznej i zewnętrznej należy przymocować etykietę B dołączoną do instrukcji.

Uwaga:

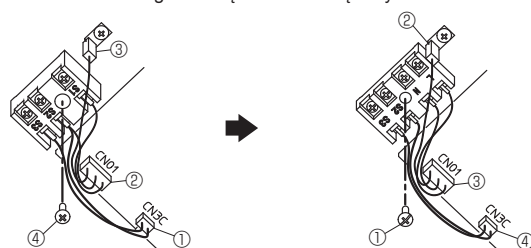
Niektórych urządzeń nie można używać w układzie podwójnym. Szczegółowe informacje można znaleźć w instrukcji instalacji urządzenia zewnętrznego.

Jeśli jednostki wewnętrzna i zewnętrzna mają oddzielne zasilanie, patrz tabela poniżej. Jeśli jest używany zestaw zacisków zasilania jednostki wewnętrznej, należy zmienić okablowanie skrzynki elektrycznej jednostki wewnętrznej zgodnie z rysunkiem po prawej oraz ustawienia przełącznika DIP karty sterownika jednostki zewnętrznej.

Zestaw zacisków zasilania jednostki wewnętrznej (opcja)	Wymagane								
Zmiana podłączenia złącza skrzynki elektrycznej jednostki wewnętrznej	Wymagane								
Etykieta przymocowana w pobliżu każdego schematu okablowania jednostek wewnętrznej i zewnętrznej	Wymagane								
Ustawienia przełącznika DIP jednostki zewnętrznej (tylko w przypadku oddzielnego zasilania jednostek wewnętrznej/zewnętrznej)	<table border="1" style="margin-left: auto; margin-right: auto;"> <tr> <td>ON</td> <td></td> <td></td> <td style="border: 2px solid black;">3</td> </tr> <tr> <td>OFF</td> <td>1</td> <td>2</td> <td></td> </tr> </table> <p>(SW8) Ustaw przełącznik SW8-3 w pozycji ON.</p>	ON			3	OFF	1	2	
ON			3						
OFF	1	2							

* Występują 3 rodzaje etykiet (etykiety A, B i C). Przymocuj odpowiednie etykiety do jednostek zgodnie z metodą okablowania.

<Wymiana bloku zaciskowego w urządzeniu wewnętrznym>



- ① Odłącz złącze CN3C (niebieskie) od karty sterownika jednostki wewnętrznej.
- ② Odłącz złącze CN01 (czarne) od karty sterownika jednostki wewnętrznej.
- ③ Odłącz końcówkę do lutowania.
- ④ Odkręć śrubę od bloku zaciskowego.

Zainstalować opcjonalny zestaw zacisków zasilacza. Szczegółowe informacje można znaleźć w instrukcji instalacji dostarczonej z opcjonalnym zestawem zacisków zasilacza.

- ① Przymocować blok zaciskowy za pomocą śruby.
- ② Podłączyć końcówkę do lutowania.
- ③ Podłączyć złącze CN01 (czarne) do karty sterownika jednostki wewnętrznej.
- ④ Podłączyć złącze CN3C (niebieskie) do karty sterownika jednostki wewnętrznej.

Model jednostki wewnętrznej		PLA
Zasilanie jednostki wewnętrznej		~N (jednofazowe), 50 Hz, 230 V
Moc wejściowa jednostki wewnętrznej	*1	16 A
Wyłącznik główny (wyłącznik)		
Opisowanie Liczba przewodów x średnica żył (mm²)	Zasilanie i uziemienie jednostki wewnętrznej	3 x min. 1,5
	Jednostka wewnętrzna – jednostka zewnętrzna	2 x min. 0,3
	Uziemienie: jednostka wewnętrzna – jednostka zewnętrzna	–
Wartość znamionowa	Zdalny sterownik – jednostka wewnętrzna	*3 2 x 0,3 (bez polaryzacji)
	Jednostka wewnętrzna L-N	*4 230 V AC
	Jednostka wewnętrzna – jednostka zewnętrzna S1 – S2	*4 –
	Jednostka wewnętrzna – jednostka zewnętrzna S2 – S3	*4 24 V DC
	Zdalny sterownik – jednostka wewnętrzna	*4 12 V DC

*1. Należy dostarczyć wyłącznik z przerwą między stykami wynoszącą minimum 3,0 mm. Należy zastosować wyłącznik różnicowoprądowy (NV).

Należy zastosować wyłącznik, aby zapewnić odłączenie wszystkich aktywnych przewodów fazowych zasilania.

*2. Maks. 120 m

*3. Maks. 500 m

(W przypadku użycia 2 pilotów zdalnego sterowania, maksymalna długość ich przewodów wynosi 200 m).

*4. Przedstawione liczby NIE we wszystkich wypadkach biorą pod uwagę uziemienie.

Uwagi: 1. Średnica przewodów musi być zgodna z odpowiednimi przepisami lokalnymi i krajowymi.

2. Kable zasilające i kable połączeniowe jednostek wewnętrznej/zewnętrznej nie mogą być niższej jakości od przewodu elastycznego w powłoce poli-chloroprenowej.

(zgodnie z normą 60245 IEC 57).

3. Zamocować przewód uziemienia o długości większej niż pozostałe przewody.

4. Przewody kabla pilota zdalnego sterowania muszą być oddalone (przynajmniej o 5 cm) od przewodów zasilania, aby nie występowały zakłócenia elektryczne powodowane przez przewody zasilania.

⚠ Ostrzeżenie:

Nigdy nie łącząc ze sobą (przez splątanie) przewodu zasilającego ani przewodu łączącego jednostkę zewnętrzną z wewnętrzną, ponieważ może to spowodować powstanie dymu, ognia lub błędu komunikacji.

6. Instalacja elektryczna

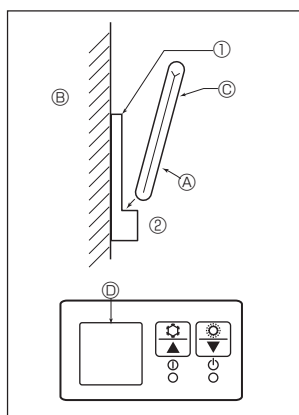


Fig. 6-7

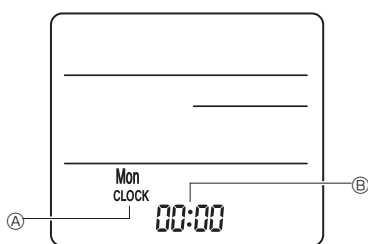


Fig. 6-8

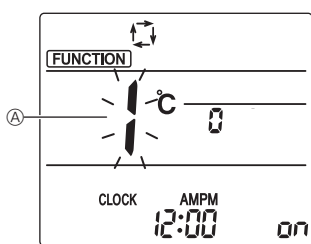
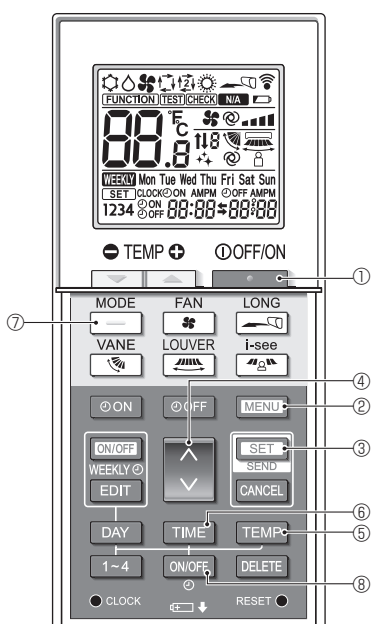


Fig. 6-9

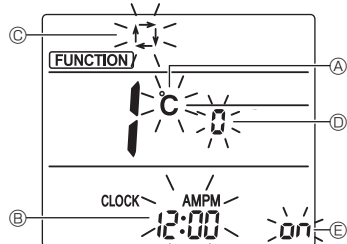


Fig. 6-10

6.2. Pilot zdalnego sterowania

6.2.1. Przewodowy pilot zdalnego sterowania

1) Ustawienie dwóch pilotów zdalnego sterowania

Jeśli są podłączone dwa piloty zdalnego sterowania, jeden z nich należy ustawić w pozycji "Main" (Główny), a drugi w pozycji "Sub" (Podrzędny). Procedury konfiguracji można znaleźć w rozdziale "Wybór funkcji pilota zdalnego sterowania" w instrukcji obsługi jednostki wewnętrznej.

6.2.2. Bezprzewodowy pilot zdalnego sterowania

1) Obszar instalacji

- Obszar, w którym pilot zdalnego sterowania nie jest narażony na bezpośrednie działanie promieni słonecznych.
- Obszar, w którym nie ma w pobliżu źródeł ciepła.
- Obszar, w którym pilot zdalnego sterowania nie jest narażony na zimne (lub gorące) wiatry.
- Obszar, w którym pilota zdalnego sterowania można łatwo obsługiwać.
- Obszar, w którym pilot zdalnego sterowania znajduje się poza zasięgiem dzieci.

2) Metoda instalacji (Fig. 6-7)

- 1) Zamocować uchwyt pilota zdalnego sterowania w żądanym miejscu za pomocą 2 wkrętów samogwintujących.
- 2) Umieścić dolny koniec pilota zdalnego sterowania w uchwycie.
 - Ⓐ Pilot zdalnego sterowania Ⓑ Ściana Ⓒ Panel wyświetlacza Ⓓ Odbiornik
- Sygnał ma zasięg do około 7 metrów (w linii prostej) pod kątem 45 stopni zarówno w lewo, jak i w prawo od linii środkowej odbiornika.

3) Ustawienia (ustawianie zegara) (Fig. 6-8)

- 1) Włożyć baterie lub czymś ostrym nacisnąć przycisk ● CLOCK. [CLOCK] Ⓐ i [:] Ⓑ miga.
- 2) Czymś ostrym nacisnąć przycisk RESET ●.
- 3) Naciskać przycisk ⏮ ⏭, aby ustawić czas. Naciskać przycisk DAY, aby ustawić dzień.
- 4) Na zakończenie czymś ostrym nacisnąć przycisk ● CLOCK. Pozycje [CLOCK] i [:] są podświetlone.

4) Ustawienie początkowe

W trybie ustawień początkowych można wprowadzić następujące ustawienia.

Pozycja	Ustawienie	Fig. 6-10
Jednostka temperatury	°C/°F	Ⓐ
Wyświetlenie czasu	Format 12-godzinny/format 24-godzinny	Ⓑ
Tryb AUTO	Pojedyncza nastawa/podwójna nastawa	Ⓒ
Nr pary	0-3	Ⓓ
Podświetlenie	Wł./Wył.	Ⓔ

4-1. Przelączenie w tryb ustawień początkowych

1. Nacisnąć przycisk [MENU] Ⓐ, aby wyłączyć klimatyzator.
2. Nacisnąć przycisk [MENU] Ⓐ.
- Zostanie wyświetlony ekran ustawień funkcji i będzie migać nr funkcji Ⓐ. (Fig. 6-9)
- Nacisnąć przycisk ⏮ ⏭ Ⓒ, aby zmienić nr funkcji.
3. Sprawdzić, czy jest wyświetlany nr funkcji "1", a następnie nacisnąć przycisk [SET] Ⓓ.
- Zostanie wyświetlony ekran ustawień wyświetlania. (Fig. 6-10)

4-2. Zmianianie jednostki temperatury Ⓐ

- Nacisnąć przycisk [TEMP] Ⓔ.
- Po każdym naciśnięciu przycisku [TEMP] Ⓔ ustawienie przelącza się między °C a °F.
- °C : Temperatura jest wyświetlana w stopniach Celsjusza.
- °F : Temperatura jest wyświetlana w stopniach Fahrenheita.

4-3. Zmianianie wyświetlania czasu Ⓑ

- Nacisnąć przycisk [TIME] Ⓒ.
- Po każdym naciśnięciu przycisku [TIME] Ⓒ ustawienie przelącza się między 12:00 a 24:00.
- 12:00 : Czas jest wyświetlany w formacie 12-godzinnym.
- 24:00 : Czas jest wyświetlany w formacie 24-godzinnym.

4-4. Zmianianie trybu AUTO Ⓒ

- Nacisnąć przycisk [AUTO] Ⓒ.
- Po każdym naciśnięciu przycisku [AUTO] Ⓒ ustawienie przelącza się między [AUTO] a [AUTO].
- [AUTO] : Tryb AUTO działa jak zwykły tryb automatyczny.
- [AUTO] : Tryb AUTO działa przy użyciu dwóch nastaw.

4-5. Zmianianie numeru pary Ⓓ

- Nacisnąć przycisk ⏮ ⏭ Ⓓ.
- Po każdym naciśnięciu przycisku ⏮ ⏭ Ⓓ zmienia się numer pary 0-3.

Numer pary bezprzewodowego pilota zdalnego sterowania	Karta sterownika jednostki wewnętrznej
0	Ustawienie początkowe
1	Wyciąć J41
2	Wyciąć J42
3	Wyciąć J41, J42

4-6. Zmianianie ustawienia podświetlenia Ⓔ

- Nacisnąć przycisk [ON/OFF] Ⓔ.
- Po każdym naciśnięciu przycisku [ON/OFF] Ⓔ ustawienie przelącza się między ON a OFF.
- ON : Podświetlenie włącza się po naciśnięciu przycisku.
- OFF : Podświetlenie nie włącza się po naciśnięciu przycisku.

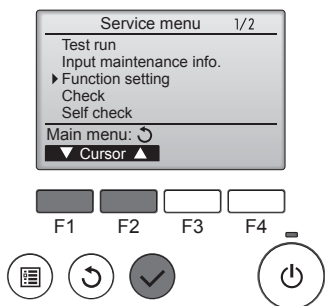


Fig. 6-11

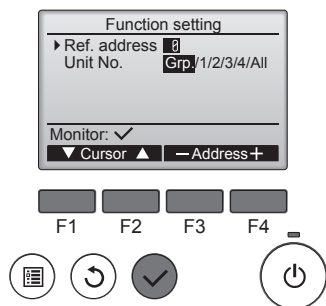


Fig. 6-12

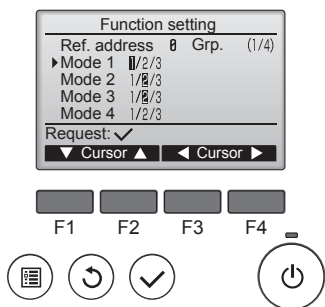


Fig. 6-13

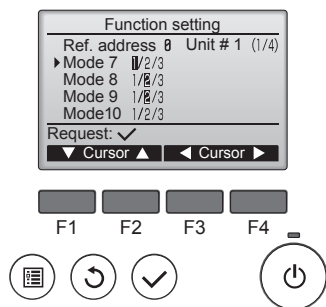


Fig. 6-14

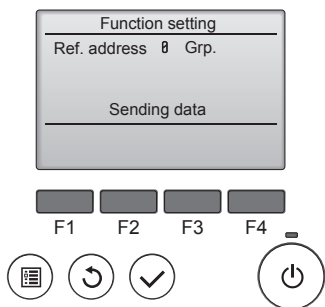


Fig. 6-15

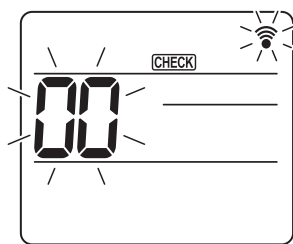


Fig. 6-16

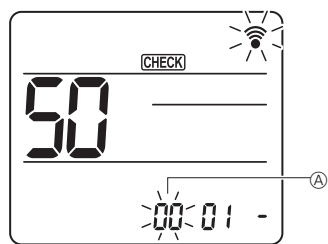


Fig. 6-17

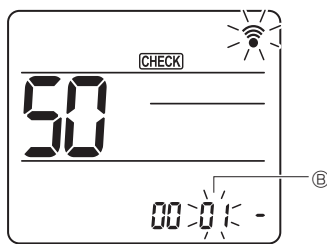


Fig. 6-18

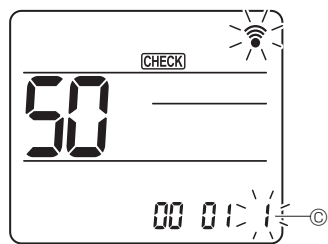


Fig. 6-19

6.3. Ustawienia funkcji

6.3.1. Za pomocą przewodowego pilota zdalnego sterowania

- ① (Fig. 6-11)
 - W menu głównym wybrać pozycję "Service" (Serwis), a następnie nacisnąć przycisk [WYBIERZ].
 - Za pomocą przycisku [F1] lub [F2] wybrać pozycję "Function setting" (Ustawienie funkcji), a następnie nacisnąć przycisk [WYBIERZ].
- ② (Fig. 6-12)
 - Ustawić adresy czynnika chłodniczego jednostki wewnętrznej i numery jednostek za pomocą przycisków od [F1] do [F4], a następnie nacisnąć przycisk [WYBIERZ], aby potwierdzić bieżące ustawienie.

<Sprawdzanie numeru jednostki wewnętrznej>

Po naciśnięciu przycisku [WYBIERZ] docelowa jednostka wewnętrzna uruchomi wentylator. Jeśli urządzenie jest wspólne lub podczas uruchamiania wszystkich jednostek, wszystkie jednostki wewnętrzne dla wybranego adresu czynnika chłodniczego uruchomią wentylatory.

- ③ (Fig. 6-13)
 - Po zakończeniu gromadzenia danych z jednostek wewnętrznych bieżące ustawienia zostaną podświetlone. Niepodświetlone elementy wskazują, że nie zostały wprowadzone żadne ustawienia funkcji. Wygląd ekranu zmienia się w zależności ustawienia "Unit No." (Nr jednostki).
- ④ (Fig. 6-14)
 - Za pomocą przycisku [F1] lub [F2] należy przesunąć kursor w celu wybrania numeru trybu, a następnie zmienić numer ustawienia za pomocą przycisku [F3] lub [F4].
- ⑤ (Fig. 6-15)
 - Po zakończeniu ustawień należy nacisnąć przycisk [WYBIERZ], aby wysłać dane ustawienia z pilota zdalnego sterowania do jednostek wewnętrznych.
 - Po pomyślnym zakończeniu transmisji ekran powróci do wyświetlania ekranu ustawień funkcji.

6.3.2. Za pomocą bezprzewodowego pilota zdalnego sterowania

- ① Przechodzenie do trybu wyboru funkcji
Nacisnąć przycisk [MENU] na około 5 sekund.
(Tę operację należy zacząć od stanu wyłączonego wyświetlacza pilota zdalnego sterowania). Pozycja [CHECK] (Kontrola) jest podświetlona i miga "00". (Fig. 6-16)
Nacisnąć przycisk [5], aby ustawić "50".
Skierować bezprzewodowego pilota zdalnego sterowania w kierunku odbiornika jednostki wewnętrznej, a następnie nacisnąć przycisk [SET].
- ② Ustawianie numeru jednostki
Nacisnąć przycisk [0], aby ustawić numer jednostki ①. (Fig. 6-17)
Skierować bezprzewodowego pilota zdalnego sterowania w kierunku odbiornika jednostki wewnętrznej, a następnie nacisnąć przycisk [SET].
- ③ Wybieranie trybu
Nacisnąć przycisk [5], aby ustawić numer trybu ②. (Fig. 6-18)
Skierować bezprzewodowego pilota zdalnego sterowania w kierunku odbiornika jednostki wewnętrznej, a następnie nacisnąć przycisk [SET].
Numer bieżącego ustawienia: 1=1 sygnał dźwiękowy (1 sekunda)
2=2 sygnały dźwiękowe (1 sekunda każdy)
3=3 sygnały dźwiękowe (1 sekunda każdy)
- ④ Wybieranie numeru ustawienia
Przycisk [5] służy do zmieniania numeru ustawienia ③. (Fig. 6-19)
Skierować bezprzewodowego pilota zdalnego sterowania w kierunku odbiornika jednostki wewnętrznej, a następnie nacisnąć przycisk [SET].
- ⑤ Aby wybrać wiele funkcji w sposób ciągły
Powtarzać wybór ③ i ④, aby zmienić wiele ustawień funkcji w sposób ciągły.
- ⑥ Zakończenie wyboru funkcji
Skierować bezprzewodowego pilota zdalnego sterowania w kierunku czujnika jednostki wewnętrznej, a następnie nacisnąć przycisk [OFF/ON].

Uwaga:

- W razie potrzeby należy wprowadzić powyższe ustawienia w jednostkach Mr. Slim.
- W tabeli 1 zostały zestawione opcje ustawień dla każdego numeru trybu.
 - Należy pamiętać, aby zapisać ustawienia dla wszystkich funkcji, jeśli jakiegokolwiek ustawienia początkowe zostały zmienione po zakończeniu prac instalacyjnych.

6. Instalacja elektryczna

Tabela funkcji (Tabela 1)

Wybrać numer jednostki 00

Tryb	Ustawienia	Nr trybu	Nr ustawienia	Ustawienie początkowe	ustawienie
Automatyczne odtwarzanie po awarii zasilania	Niedostępny	01	1		
	Dostępny *1		2	O *2	
Wykrywanie temperatury wewnętrznej	Średnia robocza jednostki wewnętrznej	02	1	O	
	Ustawiane za pomocą pilota zdalnego sterowania jednostki wewnętrznej		2		
	Czujnik wewnętrzny pilota zdalnego sterowania		3		
Łączność LOSSNAY	Nieobsługiwane	03	1	O	
	Obsługiwane (jednostka wewnętrzna nie jest wyposażona we wlot powietrza zewnętrznego)		2		
	Obsługiwane (jednostka wewnętrzna jest wyposażona we wlot powietrza zewnętrznego)		3		
Napięcie zasilania	240 V	04	1		
	220 V, 230 V		2	O	

Wybrać numery jednostek od 01 do 03 lub wszystkie jednostki (AL [przewodowy pilot zdalnego sterowania]/07 [beprzewodowy pilot zdalnego sterowania])

Tryb	Ustawienia	Nr trybu	Nr ustawienia	Ustawienie początkowe	ustawienie
Symbol filtra	100Hr	07	1		
	2500Hr		2	O	
	Brak wskazania symbolu filtra		3		
Obroty wentylatora	Brak (niski sufit)	08	1		
	Standardowy		2	O	
	Wysoki sufit		3		
Liczba wylotów powietrza	4 kierunki	09	1	O	
	3 kierunki		2		
	2 kierunki		3		
Zainstalowane opcje (filtr o wysokiej wydajności)	Nieobsługiwane	10	1	O	
	Obsługiwane		2		
Ustawienie żaluzji góra/dół	Ustawienie w dół (konfiguracja kąta żaluzji ③)	11	1		
	Ustawienie środkowe (konfiguracja kąta żaluzji ①)		2		
	Ustawienie bez ciągu (konfiguracja kąta żaluzji ②)		3	O	
Obroty wentylatora przy WYŁĄCZONYM termostacie chłodzenia	Ustawianie prędkości wentylatora	27	1		
	Zatrzymanie		2		
	Bardzo niskie		3	O	

*1 Po przywróceniu zasilania klimatyzator uruchomi się 3 minuty później.

*2 Początkowe ustawienie automatycznego odzyskiwania po awarii zasilania zależy od połączonej jednostki zewnętrznej.

7. Ruch próbny

7.1. Przed rozpoczęciem pracy próbnej

- ▶ Po zakończeniu montażu oraz podłączeniu kabli i rur do jednostki wewnętrznej i zewnętrznej należy sprawdzić, czy nie ma nieszczelności w obiegu czynnika chłodniczego, czy wszystkie przewody zasilające i sterownicze są prawidłowo podłączone, czy mają właściwą biegunowość i czy wszystkie fazy są właściwie połączone.
- ▶ Za pomocą megaomomierza 500 V zmierzyć opór między zaciskami przewodów zasilających a uziemieniem; powinien on wynosić przynajmniej 1,0 MΩ.

- ▶ Nie przeprowadzać tego testu dla zacisków przewodów sterowniczych (obwód niskiego napięcia).
- ⚠ **Ostrzeżenie:**
Nie używać klimatyzatora, jeśli opór izolacji jest mniejszy niż 1,0 MΩ.

7.2. Ruch próbny

7.2.1. Za pomocą przewodowego pilota zdalnego sterowania

- Przed ruchem próbnym należy przeczytać instrukcję obsługi. (Zwłaszcza pozycje dotyczące bezpieczeństwa)

Krok 1 Włączyć zasilanie.

- Pilot zdalnego sterowania: System przejdzie w tryb uruchamiania oraz zacznie migać kontrolka zasilania pilota zdalnego sterowania (zielona) i napis "PLEASE WAIT" (PROSZĘ CZEKAĆ). Gdy miga kontrolka i komunikat, nie wolno używać pilota zdalnego sterowania. Przed użyciem pilota zdalnego sterowania należy poczekać, aż zgaśnie napis "PLEASE WAIT" (PROSZĘ CZEKAĆ). Po włączeniu zasilania napis "PLEASE WAIT" (PROSZĘ CZEKAĆ) będzie wyświetlany przez około 2 minuty.
- Karta sterownika jednostki wewnętrznej: Dioda LED 1 będzie zapalona, dioda LED 2 będzie zapalona (jeśli adres to 0) lub zgaszona (jeśli adres to nie 0), a dioda LED 3 będzie migać.
- Karta sterownika jednostki zewnętrznej: Będzie zapalona dioda LED 1 (zielona) i dioda LED 2 (czerwona). (Po zakończeniu trybu uruchamiania systemu dioda LED 2 zgaśnie). Jeśli karta sterownika jednostki zewnętrznej wykorzystuje wyświetlacz cyfrowy, co sekundę będą na zmianę wyświetlane znaki [-] i [·]. Jeśli operacje nie działają prawidłowo po wykonaniu procedur opisanych w kroku 2 i następnym, należy rozpatrzyć następujące przyczyny, które należy wyeliminować, jeśli zostaną znalezione.
(Poniższe objawy występują podczas trybu ruchu próbnego. Napis "startup" (uruchamianie) w tabeli oznacza wyświetlacz LED opisany powyżej).

Objawy w trybie ruchu próbnego		Przyczyny
Wyświetlacz pilota zdalnego sterowania	Wyświetlacz LED KARTY JEDNOSTKI ZEWNĘTRZNEJ < > oznacza wyświetlacz cyfrowy.	
Na pilocie jest wyświetlany napis "PLEASE WAIT" (PROSZĘ CZEKAĆ) i nie można go używać.	Po wyświetleniu napisu "startup" (uruchamianie) świeci tylko zielona kontrolka. <00>	• Po włączeniu zasilania napis "PLEASE WAIT" (PROSZĘ CZEKAĆ) jest wyświetlany przez 2 minuty podczas uruchamiania systemu. (Stan normalny)
Po włączeniu zasilania napis "PLEASE WAIT" (PROSZĘ CZEKAĆ) jest wyświetlany przez 3 minuty, następnie jest wyświetlany kod błędu.	Po wyświetleniu napisu "startup" (uruchamianie) na zmianę miga kontrolka zielona (raz) i czerwona (raz). <F1> Po wyświetleniu napisu "startup" (uruchamianie) na zmianę miga kontrolka zielona (raz) i czerwona (dwa razy). <F3, F5, F9>	• Niepoprawne podłączenie listwy zaciskowej jednostki zewnętrznej (R, S, T i S ₁ , S ₂ , S ₃). • Złącze urządzenia ochronnego jednostki zewnętrznej jest otwarte.
Nic nie jest wyświetlane nawet, gdy przełącznik pracy pilota zdalnego sterowania jest włączony. (Nie zapala się kontrolka pracy).	Po wyświetleniu napisu "startup" (uruchamianie) na zmianę miga kontrolka zielona (dwa razy) i czerwona (raz). <EA, Eb> Po wyświetleniu napisu "startup" (uruchamianie) świeci tylko zielona kontrolka. <00>	• Niepoprawne okablowanie między jednostką wewnętrzną i zewnętrzną (niepoprawna polaryzacja dla S ₁ , S ₂ , S ₃). • Zwarty przewód przesyłania pilota zdalnego sterowania.
Informacje na wyświetlaczu pojawiają się, ale szybko znikają nawet podczas pracy pilota zdalnego sterowania.	Po wyświetleniu napisu "startup" (uruchamianie) świeci tylko zielona kontrolka. <00>	• Nie ma jednostki zewnętrznej o adresie 0. (Adres jest inny niż 0). • Rozwarty przewód przesyłania pilota zdalnego sterowania. • Po wybraniu funkcji anulowania praca jest niemożliwa przez około 30 sekund. (Stan normalny)

Krok 2 Przełączenie pilota zdalnego sterowania w tryb "Test run" (Ruch próbny).

- ① W menu serwisu wybrać pozycję "Test run" (Ruch próbny), a następnie nacisnąć przycisk [WYBIERZ]. (Fig. 7-1)
- ② W menu ruchu próbnego wybrać pozycję "Test run" (Ruch próbny), a następnie nacisnąć przycisk [WYBIERZ]. (Fig. 7-2)
- ③ Rozpocznie się operacja ruchu próbnego i zostanie wyświetlony ekran operacji ruchu próbnego.

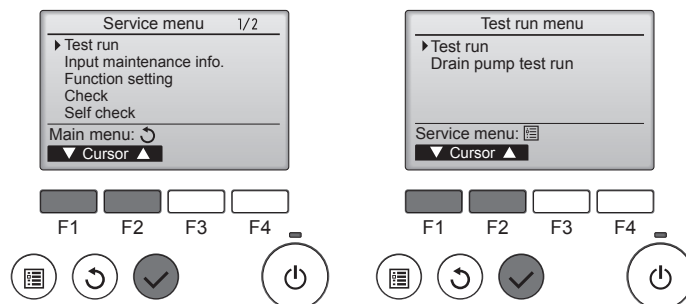


Fig. 7-1

Fig. 7-2

Krok 3 Przeprowadzić ruch próbny i sprawdzić temperaturę nawiewu i automatykę żaluzji.

- ① Nacisnąć przycisk [F1], aby zmienić tryb pracy. (Fig. 7-3)
Tryb chłodzenia: Sprawdzić, czy z urządzenia wydobywa się chłodne powietrze.
Tryb grzania: Sprawdzić, czy z urządzenia wydobywa się ciepłe powietrze.
- ② Nacisnąć przycisk [WYBIERZ], aby wyświetlić ekran pracy żaluzji, a następnie nacisnąć przyciski [F1] i [F2], aby sprawdzić automatykę żaluzji. (Fig. 7-4)
Nacisnąć przycisk [POWRÓT], aby powrócić do ekranu operacji ruchu próbnego.

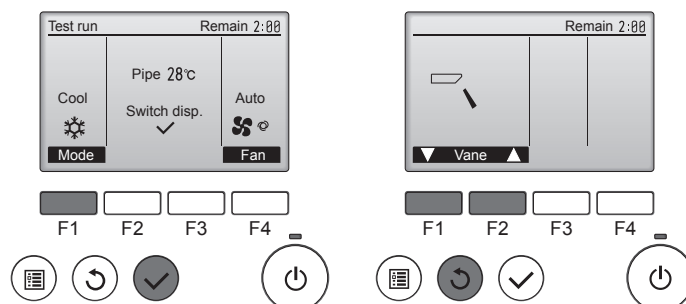


Fig. 7-3

Fig. 7-4

7. Ruch próbny

Krok 4 Potwierdzić działanie wentylatora jednostki zewnętrznej.

Prędkość wentylatora jednostki zewnętrznej jest sterowana w celu regulacji wydajności jednostki. W zależności od otaczającego powietrza wentylator obraca się z małą prędkością i utrzyma obroty z tą prędkością, chyba że wydajność będzie niewystarczająca. W związku z tym wiatr na zewnątrz może spowodować zatrzymanie obrotów wentylatora lub obracanie się w przeciwnym kierunku, ale nie jest to problemem.

Krok 5 Zakończyć ruch próbny.

Ⓜ Nacisnąć przycisk [ON/OFF], aby zatrzymać ruch próbny. (Zostanie wyświetlone menu ruchu próbnego).

Uwaga: Jeśli na pilocie zdalnego sterowania zostanie wyświetlony błąd, patrz tabela poniżej.

LCD	Opis usterki	LCD	Opis usterki	LCD	Opis usterki
P1	Błąd czujnika wlotowego	P9	Błąd czujnika rury (rura dwucienna)	E0 – E5	Błąd komunikacji między pilotem i jednostką wewnętrzną
P2	Błąd czujnika rury (rura cieczowa)	PA	Błąd wycieku (układ czynnika chłodniczego)		
P4	Roziłączone złącze wyłącznika pływakowego odpływu (CN4F)	Pb	Błąd silnika wentylatora jednostki wewnętrznej		
		PL	Niesprawność obwodu czynnika chłodniczego		
P5	Operacja ochrony przed przepełnieniem odpływu	FB	Błąd karty sterownika jednostki wewnętrznej	E6 – EF	Błąd komunikacji między jednostką wewnętrzną i jednostką zewnętrzną
P6	Operacja ochrony przed zamarznięciem/przegrzaniem	U*, F* (* oznacza znak alfanumeryczny oprócz FB).	Usterka jednostki zewnętrznej Patrz schemat okablowania jednostki zewnętrznej.		
P8	Błąd temperatury rury				

Szczegółowe informacje o wyświetlaczu LED (diody LED 1, 2 i 3) na karcie sterownika jednostki wewnętrznej znajdują się w tabeli poniżej.

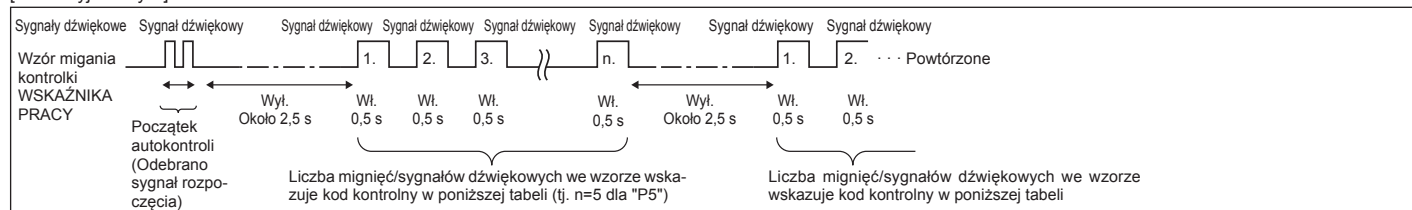
LED 1 (zasilanie mikrokomputera)	Wskazuje, czy zasilanie sterowania jest dostarczane. Należy pamiętać, aby ta dioda LED była zawsze włączona.
LED 2 (zasilanie pilota zdalnego sterowania)	Wskazuje, czy zasilanie jest dostarczane do przewodowego pilota zdalnego sterowania. Ta dioda LED świeci tylko w przypadku jednostki wewnętrznej połączonej z jednostką zewnętrzną o adresie 0.
LED 3 (komunikacja jednostki wewnętrznej/zewnętrznej)	Wskazuje, czy jednostki wewnętrzne i zewnętrzne komunikują się ze sobą. Należy pamiętać, aby ta dioda LED zawsze migała.

7.3. Autokontrola

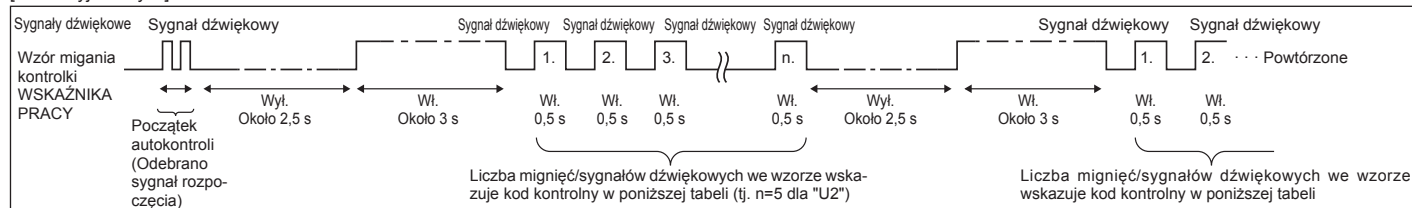
■ Szczegółowe informacje można znaleźć w instrukcji instalacji dostarczanej z każdym pilotem zdalnego sterowania.

• Szczegółowe informacje o kodach można znaleźć w poniższych tabelach. (Bezprzewodowy pilot zdalnego sterowania)

[Wzór wyjściowy A]



[Wzór wyjściowy B]



7. Ruch próbny

[Wzór wyjściowy A] Błędy wykryte przez jednostkę wewnętrzną

Bezprzewodowy pilot zdalnego sterowania	Przewodowy pilot zdalnego sterowania	Objaw	Komentarz
Sygnaly dźwiękowe/kontrolka WSKAŹNIKA PRACY miga (liczba razy)	Sprawdzić kod		
1	P1	Błąd czujnika wlotowego	
2	P2	Błąd czujnika rury (TH2)	
	P9	Błąd czujnika rury (TH5)	
3	E6, E7	Błąd komunikacji jednostki wewnętrznej/zewnętrznej	
4	P4	Błąd czujnika spustowego/otwarte złącze wyłącznika pływakowego	
5	P5	Błąd pompy spustowej	
	PA	Wymuszony błąd sprężarki	
6	P6	Operacja ochrony przed zamrażaniem/przeegraniem	
7	EE	Błąd komunikacji między jednostką wewnętrzną i zewnętrzną	
8	P8	Błąd temperatury rury	
9	E4	Błąd odbioru sygnału pilota zdalnego sterowania	
10	—	—	
11	Pb	Błąd silnika wentylatora jednostki wewnętrznej	
12	Fb	Błąd układu sterowania jednostki wewnętrznej (błąd pamięci itd.)	
14	PL	Niesprawność obwodu czynnika chłodniczego	
Brak dźwięku	E0, E3	Błąd transmisji pilota zdalnego sterowania	
Brak dźwięku	E1, E2	Błąd płytki sterowania pilota zdalnego sterowania	
Brak dźwięku	- - - -	Brak odpowiednika	

[Wzór wyjściowy B] Błędy wykryte przez urządzenia inne niż jednostka wewnętrzna (jednostkę zewnętrzną itd.)

Bezprzewodowy pilot zdalnego sterowania	Przewodowy pilot zdalnego sterowania	Objaw	Komentarz
Sygnaly dźwiękowe/kontrolka WSKAŹNIKA PRACY miga (liczba razy)	Sprawdzić kod		
1	E9	Błąd komunikacji jednostki wewnętrznej/zewnętrznej (błąd przesyłania) (jednostka zewnętrzna)	
2	UP	Przerwanie nadprądowe sprężarki	
3	U3, U4	Rozwarcie/zwarcie termistorów jednostki zewnętrznej	
4	UF	Przerwanie nadprądowe sprężarki (w razie zablokowania sprężarki)	
5	U2	Nietypowo wysoka temperatura na tłoczeniu/zadziałał 49 °C/niewystarczająca ilość czynnika chłodniczego	
6	U1, Ud	Nietypowo wysokie ciśnienie (zadziałał 63H)/Operacja ochrony przed przeegraniem	Aby uzyskać szczegółowe informacje, należy sprawdzić wyświetlacz LED karty sterownika jednostki zewnętrznej.
7	U5	Nietypowa temperatura radiatora	
8	U8	Zatrzymanie ochrony wentylatora jednostki zewnętrznej	
9	U6	Przerwanie nadprądowe sprężarki/Nietypowe zachowanie modułu zasilania	
10	U7	Nieprawidłowość przeegrzania w wyniku niskiej temperatury na tłoczeniu	
11	U9, UH	Nieprawidłowość, na przykład przepięcie lub brak napięcia i nietypowy sygnał synchroniczny do obwodu głównego/Błąd czujnika prądu	
12	—	—	
13	—	—	
14	Inne	Inne błędy (patrz instrukcja techniczna jednostki zewnętrznej).	

*1 Jeśli sygnał dźwiękowy nie rozlegnie się ponownie po pierwszych 2 sygnałach dźwiękowych, aby potwierdzić odbiór sygnału rozpoczęcia autokontroli, i nie zapali się wskaźnik WSKAŹNIKA PRACY, nie ma zarejestrowanych błędów.

*2 Jeśli sygnał dźwiękowy rozlegnie się 3 razy w sposób ciągły "dźwięk, dźwięk, dźwięk (0,4 + 0,4 + 0,4 s)" po pierwszych 2 sygnałach dźwiękowych, aby potwierdzić odbiór sygnału rozpoczęcia autokontroli, określony adres czynnika chłodniczego jest nieprawidłowy.

- Bezprzewodowy pilot zdalnego sterowania
Ciągły sygnał dźwiękowy z sekcji odbiorczej jednostki wewnętrznej.
Miganie kontrolki pracy
- Przewodowy pilot zdalnego sterowania
Sprawdzić kod wyświetlany na ekranie LCD.

7. Ruch próbny

• Jeśli urządzenie nie działa prawidłowo po pracy próbnej, należy ustalić przyczynę, odnosząc się do poniższej tabeli.

Objaw		Dioda LED 1, 2 (płytką drukowaną w jednostce zewnętrznej)	Przyczyny
Przewodowy pilot zdalnego sterowania			
CZEKAJ	Przez około 2 minuty po włączeniu zasilania	Po podświetleniu diod LED 1, 2, dioda LED 2 zostaje wyłączona i tylko dioda LED 1 jest podświetlona. (Prawidłowa praca)	•Przez około 2 minuty po włączeniu zasilania działanie pilota zdalnego sterowania nie jest możliwe z powodu uruchamiania systemu. (Prawidłowa praca)
CZEKAJ → Kod błędu	Po około 2 minutach po włączeniu zasilania	Tylko dioda LED 1 jest podświetlona. → Diody LED 1, 2 pulsują.	•Złącze urządzenia zabezpieczającego jednostki zewnętrznej nie jest podłączone. Zamienione lub przerwane przewody fazowe na listwie zaciskowej zasilania jednostki zewnętrznej (L1, L2, L3)
Wyświetlane komunikaty nie pojawiają się nawet, kiedy przełącznik pracy jest włączony (nie włącza się kontrolka pracy).		Tylko dioda LED 1 jest podświetlona. → Dioda LED 1 pulsuje dwukrotnie, dioda LED 2 pulsuje jeden raz.	•Nieprawidłowe okablowanie między jednostkami wewnętrzną i zewnętrzną (nieprawidłowa biegunowość S1, S2, S3) •Zwarcie przewodów pilota zdalnego sterowania

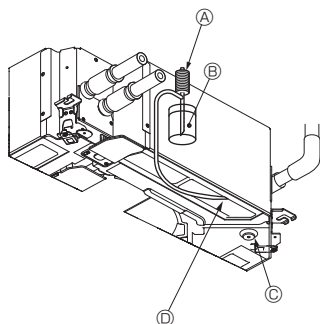
W pilocie bezprzewodowym w powyższym stanie występuje następujące zjawisko.

- Sygnały z pilota nie są odbierane.
- Pulsuje kontrolka pracy.
- Brzęczyk wydaje krótkie brzęknięcie.

Uwaga:

Praca nie jest możliwa przez około 30 sekund po anulowaniu wyboru funkcji. (Prawidłowa praca)

Opis poszczególnych diod LED (LED 1, 2, 3) na sterowniku urządzenia wewnętrznego został podany na str. 224.



- Ⓐ Pompa doprowadzenia wody
 - Ⓑ Woda (około 1 000 cm³)
 - Ⓒ Korek spustowy
 - Ⓓ Nalać wody przez wylot
- Uważać, aby nie rozlać wody na mechanizm pompy spustowej.

Fig. 7-5

7.4. Kontrola odprowadzania skroplin (Fig. 7-5)

- Upewnić się, że woda jest odpowiednio odprowadzana i nie wycieka przez połączenia.

Kiedy prace elektryczne zostały zakończone.

- Nalać wody podczas chłodzenia w ramach pracy próbnej (patrz 7.2.) i sprawdzić.

Kiedy prace elektryczne nie zostały zakończone.

- Nalać wody podczas trybu awaryjnego i sprawdzić.

* Taca na skropliny i wentylator są uaktywniane jednocześnie, gdy jednofazowe napięcie 220-240 V jest włączone na zaciskach S1 i S2 na listwie zaciskowej po WŁĄCZENIU złącza (SWE) na karcie sterownika w skrzynce elektrycznej.

Po pracy należy ustawić go ponownie w poprzednim położeniu.

8. Sterowanie systemem

Patrz instrukcja instalacji jednostki zewnętrznej.

9. Montaż kratki

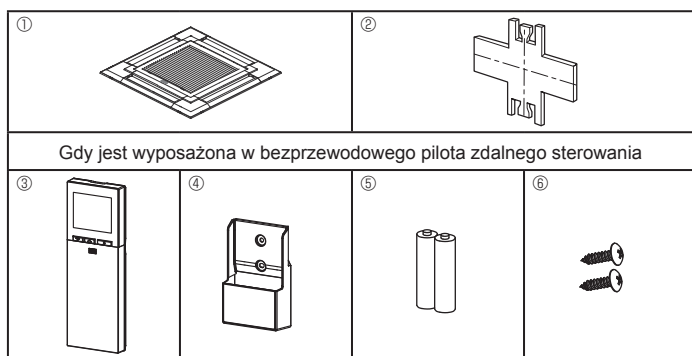


Fig. 9-1

9.1. Sprawdzanie zawartości opakowania (Fig. 9-1)

• Zestaw zawiera niniejszą instrukcję i następujące części.

	Nazwa akcesorium	Ilość	Uwagi
①	Kratka	1	950 × 950 (mm)
②	Przymiar montażowy	1	(złożony z 4 części)
③	Bezprzewodowy pilot zdalnego sterowania	1	Do PLP-6EALM
④	Uchwyt pilota zdalnego sterowania	1	Dołączone, gdy jest wyposażona w bezprzewodowego pilota zdalnego sterowania.
⑤	Baterie LR6 AA	2	Dołączone, gdy jest wyposażona w bezprzewodowego pilota zdalnego sterowania.
⑥	Wkręty samogwintujące 3,5 × 16	2	Dołączone, gdy jest wyposażona w bezprzewodowego pilota zdalnego sterowania.

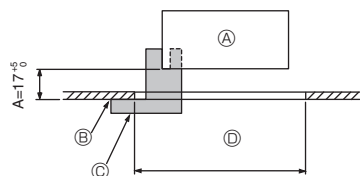


Fig. 9-2

9.2. Przygotowania do zamocowania kratki (Fig. 9-2)

- Używając przymiaru ② dostarczonego z zestawem, należy ustawić i sprawdzić położenie urządzenia głównego w stosunku do powierzchni sufitu. Jeśli urządzenie główne jest nieprawidłowo ustawione względem powierzchni sufitu, może dojść do wypływu powietrza lub gromadzenia się skroplin.
- Upewnij się, że otwór w suficie mieści się w następujących granicach tolerancji: 860 × 860 - 910 × 910
- Dopilnować, aby element A został umieszczony w zakresie 17–22 mm. W przeciwnym razie może dojść do uszkodzenia.
 - Ⓐ Urządzenie główne
 - Ⓑ Powierzchnia sufitu
 - Ⓒ Przymiar montażowy ② (wsunięty do urządzenia głównego)
 - Ⓓ Wymiary otworu w suficie

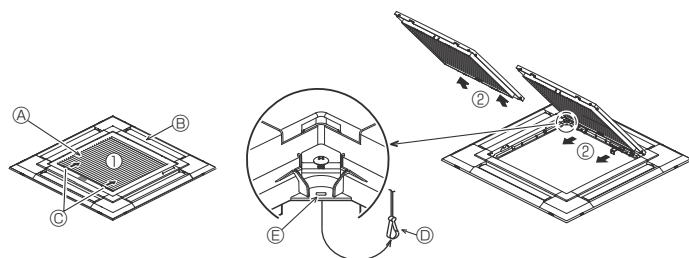


Fig. 9-3

9.2.1. Demontaż kratki wlotowej (Fig. 9-3)

- Przesunąć dźwignię w kierunku wskazanym przez strzałkę ①, aby otworzyć kratkę wlotową.
- Odczepić zaczep mocujący kratkę.
 - * Nie odczepiać zaczepu kratki wlotowej.
- Gdy kratka wlotowa jest w pozycji otwartej, należy usunąć zawias kratki wlotowej z kratki w sposób pokazany przez strzałki ②.

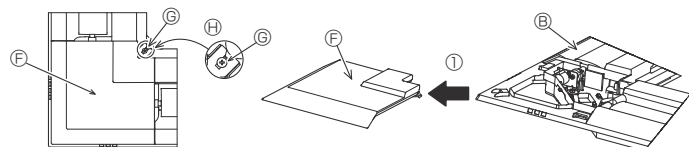


Fig. 9-4

9.2.2. Demontaż panelu narożnego (Fig. 9-4)

- Odkręcić 4 śruby na narożniku. Przesunąć panel narożny w kierunku wskazywanym przez strzałkę ① na rysunku, aby go zdemontować.

[Fig. 9-3] [Fig. 9-4]

- Ⓐ Kratka wlotowa
- Ⓑ Kratka ①
- Ⓒ Dźwignie kratki wlotowej
- Ⓓ Zaczep kratki
- Ⓔ Otwór na zaczep kratki
- Ⓕ Panel narożny
- Ⓖ Śruba
- Ⓗ Powiększenie

	4-kierunkowy	3-kierunkowy
Schematy kierunku nadmuchu	Schemat 1: ustawienie początkowe 	4 schematy: jeden wylot powietrza całkowicie zamknięty
Schematy kierunku nadmuchu	2-kierunkowy 6 schematów: 2 wyloty powietrza całkowicie zamknięte 	

Tabela 1

<Zaczep jest w pozycji podniesionej>

<Zaczep jest w pozycji opuszczonej>



Fig. 9-5

9.3. Wybór wylotów powietrza

Dla kratki można wybrać 11 schematów kierunku nawiewu. Dodatkowo wybierając w pilocie odpowiednie ustawienia, można regulować przepływ i prędkość powietrza. Należy wybrać wymagane ustawienia z Tabeli 1, odpowiednio do lokalizacji, w której urządzenie zostanie zainstalowane. (Należy wybrać więcej niż dwa kierunki).

- 1) Wybierz schemat kierunku nawiewu.
- 2) Wybrać w pilocie właściwe ustawienia, odpowiednio do liczby wylotów powietrza i wysokości sufitu, na którym urządzenie główne zostanie zainstalowane. (Patrz strona 222).

Uwaga:

- Zmieniając liczbę kierunków, należy użyć opcjonalnej klapy wylotu powietrza.
- Nie należy wybierać 2 kierunków w gorącym i wilgotnym otoczeniu. (Może to doprowadzić do powstania lub kapania skroplin).

9.4. Montaż kratki

9.4.1. Przygotowania (Fig. 9-5)

Pamiętaj, aby zwolnić 2 zaczepy na kratce.

9. Montaż kratki

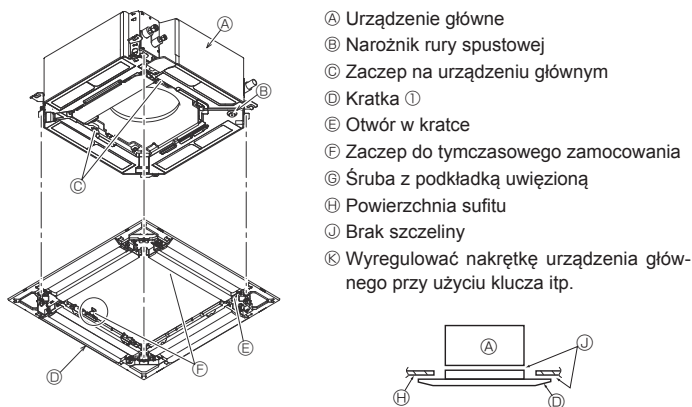


Fig. 9-6

<Kratka zainstalowana tymczasowo>

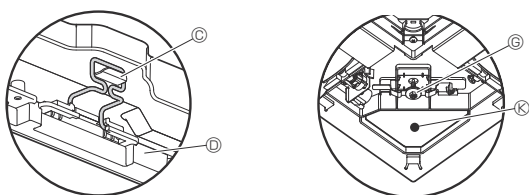


Fig. 9-7



Fig. 9-8

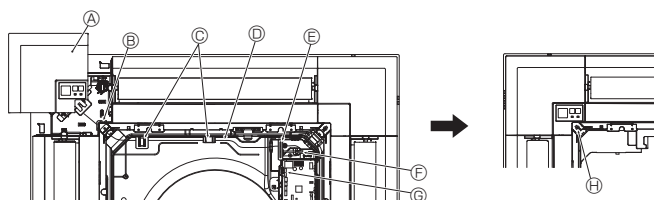


Fig. 9-9

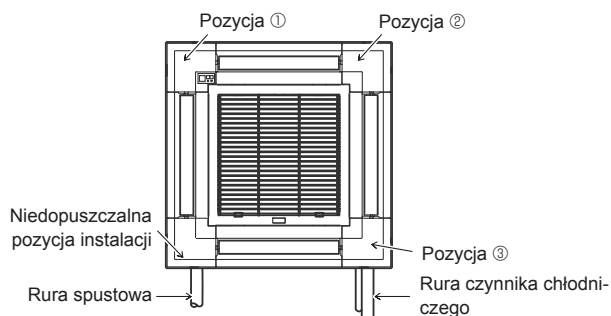


Fig. 9-10

9.4.2. Tymczasowe zamocowanie kratki (Fig. 9-6)

- Połączyć narożnik rury spustowej w urządzeniu głównym z narożnikiem z otworem w kratce i złożyć je tymczasowo, zawieszając kratkę na zaczepie urządzenia głównego.

9.4.3. Mocowanie kratki

- Zamocować kratkę na urządzeniu głównym, dokręcając wstępnie wkręcone śruby. (Fig. 9-6).
Uwaga:
Upewnić się, że nie ma szczeliny pomiędzy urządzeniem głównym i kratką oraz pomiędzy kratką i powierzchnią sufitu. (Fig. 9-6).

Jeśli między kratką i sufitem jest szczelina:

- Po zamocowaniu kratki należy nieco skorygować wysokość montażu urządzenia głównego, aby zlikwidować szczelinę.

⚠ Przewaga:

- Dokręcając śrubę należy upewnić się, że moment dokręcania wynosi od 2,8 N•m do 3,6 N•m. Nie używać wkrętarki udarowej.
- Po dokręceniu wkrętu należy sprawdzić, czy dwa zaczepy kratki (Fig. 9-6) są zablokowane na zaczepach urządzenia głównego.

9.4.4. Podłączenie przewodów (Fig. 9-8)

- Odkręcić 2 śruby mocujące pokrywę skrzynki elektrycznej do urządzenia głównego i przesunąć pokrywę, aby ją otworzyć.
- Poprowadzić przewód główny z boku skrzynki elektrycznej.
- Należy pamiętać, aby podłączyć złącze silnika zaaluzji (białe, 20-stykowe) do złącza CNV (białe) na karcie sterownika urządzenia.
- Przewody główne wychodzące z kratki należy ciasno związać razem zaciskiem w skrzynce elektrycznej.

9.4.5. Instalacja odbiornika sygnału (Fig. 9-9)

- Poprowadzić przewód główny (biały, 9-stykowy) do panelu narożnego odbiornika sygnału z boku skrzynki elektrycznej na urządzeniu głównym.
- Należy pamiętać, aby podłączyć je do złącza CN90 (białe) na karcie sterownika.
- Należy pamiętać, aby przewód główny panelu narożnego odbiornika sygnału przeprowadzić przez zaczep otworu.
- Pozostałe przewody główne należy ciasno związać przy użyciu zacisku w skrzynce elektrycznej.
- Założyć z powrotem pokrywę na skrzynkę elektryczną i zamocować 2 śrubami.
Uwaga:
Upewnić się, że przewody nie są przytrzaśnięte przez pokrywę skrzynki elektrycznej.
Przymocować panel narożny odbiornika sygnału do panelu i przy użyciu śruby. Panelu narożnego odbiornika sygnału nie można zainstalować po stronie rury spustowej urządzenia głównego. (Patrz Fig. 9-10)

- Ⓐ Panel narożny odbiornika sygnału
- Ⓑ Otwór w kratce (przeciagnij przewód główny).
- Ⓒ Zaczep do rozszerzenia przy końcu otworu
- Ⓓ Przewód
- Ⓔ Zacisk
- Ⓕ Opaska kablowa (zamocuj przewód główny).
- Ⓖ CN90 na karcie sterownika
- Ⓗ Śruba

9. Montaż kratki

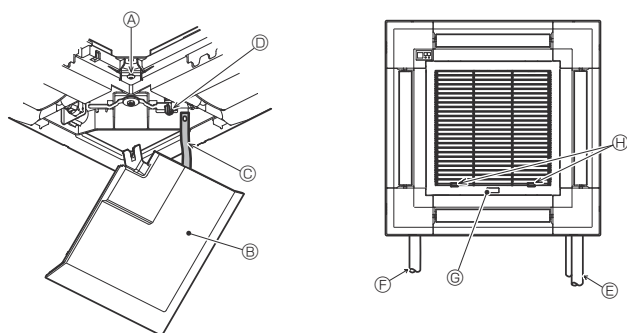


Fig. 9-11

9.5. Montaż kratki wlotowej (Fig. 9-11)

Uwaga:

Zakładając panele narożne (każdy z przymocowaną taśmą bezpieczeństwa), należy przymocować drugi koniec każdej taśmy bezpieczeństwa do kratki zgodnie z rysunkiem.

- * Jeśli panele narożne nie zostaną pewnie przymocowane, mogą spaść podczas pracy urządzenia głównego.
- * Wykonać procedurę opisaną w punkcie "9.2. Przygotowania do zamontowania kratki" w odwrotnej kolejności, aby zamontować kratkę wlotową i panel narożny.
- * Kierunek kratki wlotowej można zmienić w zależności od potrzeb klienta.

- Ⓐ Śruba (4 × 16)
- Ⓑ Panel narożny
- Ⓒ Opaska zabezpieczająca
- Ⓓ Zaczep
- Ⓔ Rura czynnika chłodniczego
- Ⓕ Rura spustowa
- Ⓖ Logo firmy

* Możliwy jest montaż w dowolnej pozycji.

Ⓜ Pozycja początkowa dźwigni na kratce wlotowej

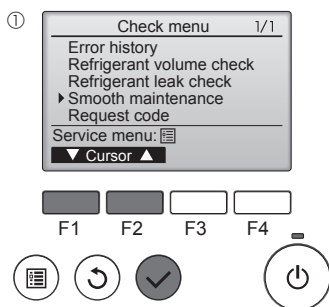
* Choć zaciski można umieścić w dowolnej z 4 pozycji, zaleca się przedstawioną konfigurację. (W celu konserwacji skrzynki elektrycznej w urządzeniu głównym nie trzeba demontować kratki wlotowej).

10. Funkcja łatwej konserwacji

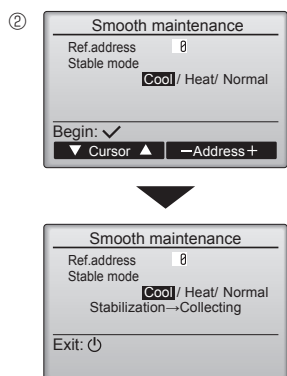
Dane eksploatacyjne, takie jak temperatura wymiennika ciepła i prąd roboczy sprężarki jednostki wewnętrznej/zewnętrznej, można wyświetlić za pomocą funkcji "Smooth maintenance" (Bezproblemowa konserwacja).

* Nie można tego wykonać podczas pracy próbnej.

* W zależności od kombinacji z jednostką zewnętrzną może to nie być obsługiwane przez niektóre modele.

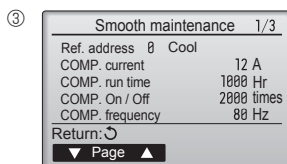


- W menu głównym wybrać pozycję "Service" (Serwis), a następnie nacisnąć przycisk [WYBIERZ].
- Za pomocą przycisku [F1] lub [F2] wybrać pozycję "Check" (Kontrola), a następnie nacisnąć przycisk [WYBIERZ].
- Za pomocą przycisku [F1] lub [F2] wybrać pozycję "Smooth maintenance" (Bezproblemowa konserwacja), a następnie nacisnąć przycisk [WYBIERZ].



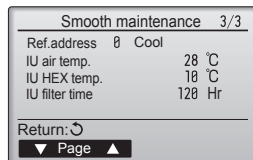
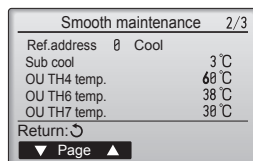
Wybrać każdy element.

- Wybrać element do zmiany za pomocą przycisku [F1] lub [F2].
- Wybrać żądane ustawienie za pomocą przycisku [F3] lub [F4].
Ustawienie "Ref. address" (Adres referencyjny) ... "0" – "15"
Ustawienie "Stable mode" (Tryb stabilny) "Cool" (Chłodzenie)/"Heat" (Grzanie)/"Normal" (Normalny)
- Nacisnąć przycisk [WYBIERZ], a zostanie uruchomiona ustalona operacja.
* "Stable mode" (Tryb stabilny) potrwa około 20 minut.



Zostaną wyświetlone dane robocze.

Zakumulowany czas pracy sprężarki (COMP. run) jest podany w jednostkach 10-godzinnych, a liczba zmian stanu sprężarki (COMP. On/Off) jest podana w jednostkach po 100 razy (ułamki są odrzucane)



Nawigacja po ekranach

- Aby powrócić do menu głównego przycisk [MENU]
- Aby powrócić do poprzedniego ekranu przycisk [POWRÓT]

This product is designed and intended for use in the residential,
commercial and light-industrial environment.

Please be sure to put the contact address/telephone number on
this manual before handing it to the customer.



MITSUBISHI ELECTRIC CORPORATION

HEAD OFFICE: TOKYO BUILDING, 2-7-3, MARUNOUCHI, CHIYODA-KU, TOKYO 100-8310, JAPAN