

Air to Water Heat Pump PUHZ-SW · HA series / PUHZ-SW · KA series

INSTALLATION MANUAL

FOR INSTALLER

For safe and correct use, read this manual and the indoor unit installation manual thoroughly before installing the outdoor unit. English is original. The other languages versions are translation of the original.

INSTALLATIONSHANDBUCH

FÜR INSTALLATEURE

Aus Sicherheitsgründen und zur richtigen Verwendung vor der Installation der Außenanlage das vorliegende Handbuch und die Installationsanleitung der Innenanlage gründlich durchlesen. Das Original ist in Englisch. Die anderen Sprachversionen sind vom Original übersetzt.

MANUEL D'INSTALLATION

POUR L'INSTALLATEUR

Avant d'installer l'appareil extérieur, lire attentivement ce manuel, ainsi que le manuel d'installation de l'appareil intérieur pour une utilisation sûre et correcte. L'anglais est l'original. Les versions fournies dans d'autres langues sont des traductions de l'original.

INSTALLATIEHANDLEIDING

VOOR DE INSTALLATEUR

Lees voor een veilig en juist gebruik deze handleiding en de installatiehandleiding van het binnenapparaat zorgvuldig door voordat u met het installeren van het buitenapparaat begint. Het Engels is het origineel. De andere taalversies zijn vertalingen van het origineel.

MANUAL DE INSTALACIÓN

PARA EL INSTALADOR

Para un uso correcto y seguro, lea detalladamente este manual y el manual de instalación de la unidad interior antes de instalar la unidad exterior. El idioma original del documento es el inglés. Las versiones en los demás idiomas son traducciones del original.

MANUALE DI INSTALLAZIONE

PER L'INSTALLATORE

Per un uso sicuro e corretto, leggere attentamente il presente manuale ed il manuale d'installazione dell'unità interna prima di installare l'unità esterna. Il testo originale è redatto in lingua Inglese. Le altre versioni linguistiche rappresentano traduzioni dell'originale.

ΕΓΧΕΙΡΙΔΙΟ ΟΔΗΓΙΩΝ ΕΓΚΑΤΑΣΤΑΣΗΣ

ΓΙΑ ΑΥΤΟΝ ΠΟΥ ΚΑΝΕΙ ΤΗΝ ΕΓΚΑΤΑΣΤΑΣΗ

Για σωστή και ασφαλή χρήση, διαβάστε προσεκτικά αυτό το εγχειρίδιο καθώς και το εγχειρίδιο εγκατάστασης της εσωτερικής μονάδας, προτού εγκαταστήσετε την εξωτερική μονάδα. Η γλώσσα του πρωτοτύπου είναι η αγγλική. Οι εκδόσεις άλλων γλωσσών είναι μεταφράσεις του πρωτοτύπου.

MANUAL DE INSTALAÇÃO

PARA O INSTALADOR

Para uma utilização segura e correcta, leia atentamente este manual e o manual de instalação da unidade interior antes de instalar a unidade exterior. O idioma original é o inglês. As versões em outros idiomas são traduções do idioma original.

INSTALLATIONSMANUAL

TIL INSTALLATØREN

Læs af sikkerhedshensyn denne manual samt manualen til installation af indendørsenheden grundigt, før du installerer udendørsenheden. Engelsk er originalsproget. De andre sprogversioner er oversættelser af originalen.

INSTALLATIONSMANUAL

FÖR INSTALLATÖREN

Läs bruksanvisningen och inomhusenhetens installationshandbok noga innan du installerar utomhusenhet för säker och korrekt användning. Engelska är originalspråket. De övriga språkversionerna är översättningar av originalet.

MONTAJ ELKİTABI

MONTÖR İÇİN

Emniyetli ve doğru kullanım için, dış üniteyi monte etmeden önce bu kılavuzu ve iç ünite montaj kılavuzunu tamamiyla okuyun. Aslı İngilizce'dir. Diğer dillerdeki sürümler aslının çevirisidir.

РУКОВОДСТВО ПО УСТАНОВКЕ

ДЛЯ УСТАНОВИТЕЛЯ

Для обеспечения безопасной и надлежащей эксплуатации внимательно прочтите данное руководство и руководство по установке внутреннего прибора перед установкой наружного прибора. Языком оригинала является английский. Версии на других языках являются переводом оригинала.

INSTALLASJONSHÅNDBOK

FOR MONTØR

For å sikre trygg og riktig bruk skal denne håndboken samt installasjonshåndboken for innendørsenheten leses grundig igjennom før enheten installeres. Engelsk er originalspråket. De andre språkversjonene er oversettelser av originalen.

ASENNUSOPAS

ASENTAJALLE

Turvallisen ja asianmukaisen käytön varmistamiseksi lue tämä opas sekä sisäyksikön asennusopas huolellisesti ennen ulkoyksikön asentamista. Alkuperäiskieli on englanti. Muut kieliversiot ovat alkuperäisen käännöksiä.

NÁVOD K MONTÁŽI

PRO MONTÉRA

Kvůli zajištění bezpečného a správného používání si před montáží vnější jednotky pečlivě přečtěte tento návod i návod k montáži vnitřní jednotky. Verze v angličtině je originál. Ostatní jazykové verze jsou překladem originálu.

INSTRUKCJA MONTAŻU

DLA INSTALATORA

Aby zapewnić bezpieczne i prawidłowe korzystanie z urządzenia, przed montażem jednostki zewnętrznej należy dokładnie zapoznać się z treścią niniejszej instrukcji oraz instrukcji montażu jednostki wewnętrznej. Oryginalną instrukcję sporządzono w języku angielskim. Pozostałe wersje językowe zostały przetłumaczone z oryginału.

РЪКОВОДСТВО ЗА МОНТАЖ

ЗА ИНСТАЛАТОРА

За безопасно и правилно използване, прочетете внимателно това ръководство и ръководството за монтаж на вътрешното тяло, преди да монтирате външното тяло. Версията на английски език е оригинал. Версиите на други езици са превод от оригинала.

English

Deutsch

Français

Nederlands

Español

Italiano

Ελληνικά

Português

Dansk

Svenska

Türkçe

Русский

Norsk

Suomi

Čeština

Polski

Български

Contents

1. Safety precautions.....	2	6. Water piping work.....	8
2. Installation location.....	3	7. Electrical work.....	8
3. Installing the outdoor unit.....	5	8. Special Functions.....	10
4. Installing the refrigerant piping.....	5	9. System control.....	10
5. Drainage piping work.....	8	10. Specifications.....	10



Note: This symbol mark is for EU countries only.

This symbol mark is according to the directive 2012/19/EU Article 14 Information for users and Annex IX.

Your MITSUBISHI ELECTRIC product is designed and manufactured with high quality materials and components which can be recycled and reused.

This symbol means that electrical and electronic equipment, at their end-of-life, should be disposed of separately from your household waste.

Please, dispose of this equipment at your local community waste collection/recycling centre.

In the European Union there are separate collection systems for used electrical and electronic product.

Please, help us to conserve the environment we live in!

⚠ Caution:

• Do not vent R410A into the Atmosphere:

• R410A is a Fluorinated Greenhouse gas, covered by the Kyoto Protocol, with a Global Warming Potential (GWP)=1975.

■ Heat pumps certification

The mark "NF Heat pumps" is an independent certification program proving that heat pumps' performances and production quality of the factory are conformed with the certification reference NF-414. The combinations of indoor units and outdoor units, and their applications allowed to use the NF PAC mark can be consulted on the website www.marque-nf.com

1. Safety precautions

- ▶ Before installing the unit, make sure you read all the "Safety precautions".
- ▶ Please report to or take consent by the supply authority before connection to the system.

⚠ Warning:

Describes precautions that must be observed to prevent danger of injury or death to the user.

⚠ Caution:

Describes precautions that must be observed to prevent damage to the unit.

⚠ Warning:

- The unit must not be installed by the user. Ask a dealer or an authorized technician to install the unit. If the unit is installed incorrectly, water leakage, electric shock, or fire may result.
- For installation work, follow the instructions in the Installation Manual and use tools and pipe components specifically made for use with R410A refrigerant. The R410A refrigerant in the HFC system is pressurized 1.6 times the pressure of usual refrigerants. If pipe components not designed for R410A refrigerant are used and the unit is not installed correctly, the pipes may burst and cause damage or injuries. In addition, water leakage, electric shock, or fire may result.
- The unit must be installed according to the instructions in order to minimize the risk of damage from earthquakes, typhoons, or strong winds. An incorrectly installed unit may fall down and cause damage or injuries.
- The unit must be securely installed on a structure that can sustain its weight. If the unit is mounted on an unstable structure, it may fall down and cause damage or injuries.
- If the outdoor unit is installed in a small room, measures must be taken to prevent the refrigerant concentration in the room from exceeding the safety limit in the event of refrigerant leakage. Consult a dealer regarding the appropriate measures to prevent the allowable concentration from being exceeded. Should the refrigerant leak and cause the concentration limit to be exceeded, hazards due to lack of oxygen in the room may result.
- Ventilate the room if refrigerant leaks during operation. If refrigerant comes into contact with a flame, poisonous gases will be released.
- All electric work must be performed by a qualified technician according to local regulations and the instructions given in this manual. The units must be powered by dedicated power lines and the correct voltage and circuit breakers must be used. Power lines with insufficient capacity or incorrect electrical work may result in electric shock or fire.
- Use C1220 copper phosphorus, for copper and copper alloy seamless pipes, to connect the refrigerant pipes. If the pipes are not connected correctly, the unit will not be properly grounded and electric shock may result.

After installation work has been completed, explain the "Safety Precautions," use, and maintenance of the unit to the customer according to the information in the Operation Manual and perform the test run to ensure normal operation. Both the Installation Manual and Operation Manual must be given to the user for keeping. These manuals must be passed on to subsequent users.



: Indicates a part which must be grounded.

⚠ Warning:

Carefully read the labels affixed to the main unit.

- Use only specified cables for wiring. The wiring connections must be made securely with no tension applied on the terminal connections. Also, never splice the cables for wiring (unless otherwise indicated in this document). Failure to observe these instructions may result in overheating or a fire.
- The terminal block cover panel of the outdoor unit must be firmly attached. If the cover panel is mounted incorrectly and dust and moisture enter the unit, electric shock or fire may result.
- When installing or relocating, or servicing the outdoor unit, use only the specified refrigerant (R410A) to charge the refrigerant lines. Do not mix it with any other refrigerant and do not allow air to remain in the lines. If air is mixed with the refrigerant, then it can be the cause of abnormal high pressure in the refrigerant line, and may result in an explosion and other hazards. The use of any refrigerant other than that specified for the system will cause mechanical failure or system malfunction or unit breakdown. In the worst case, this could lead to a serious impediment to securing product safety.
- Use only accessories authorized by Mitsubishi Electric and ask a dealer or an authorized technician to install them. If accessories are incorrectly installed, water leakage, electric shock, or fire may result.
- Do not alter the unit. Consult a dealer for repairs. If alterations or repairs are not performed correctly, water leakage, electric shock, or fire may result.
- The user should never attempt to repair the unit or transfer it to another location. If the unit is installed incorrectly, water leakage, electric shock, or fire may result. If the outdoor unit must be repaired or moved, ask a dealer or an authorized technician.
- After installation has been completed, check for refrigerant leaks. If refrigerant leaks into the room and comes into contact with the flame of a heater or portable cooking range, poisonous gases will be released.

1.1. Before installation

⚠ Caution:

- Do not use the unit in an unusual environment. If the outdoor unit is installed in areas exposed to steam, volatile oil (including machine oil), or sulfuric gas, areas exposed to high salt content such as the seaside, or areas where the unit will be covered by snow, the performance can be significantly reduced and the internal parts can be damaged.
- Do not install the unit where combustible gases may leak, be produced, flow, or accumulate. If combustible gas accumulates around the unit, fire or explosion may result.

- The outdoor unit produces condensation during the heating operation. Make sure to provide drainage around the outdoor unit if such condensation is likely to cause damage.
- When installing the unit in a hospital or communications office, be prepared for noise and electronic interference. Inverters, home appliances, high-frequency medical equipment, and radio communications equipment can cause the outdoor unit to malfunction or breakdown. The outdoor unit may also affect medical equipment, disturbing medical care, and communications equipment, harming the screen display quality.

1. Safety precautions

1.2. Before installation (relocation)

⚠ Caution:

- Be extremely careful when transporting or installing the units. Two or more persons are needed to handle the unit, as it weighs 20 kg or more. Do not grasp the packaging bands. Wear protective gloves to remove the unit from the packaging and to move it, as you can injure your hands on the fins or the edge of other parts.
- Be sure to safely dispose of the packaging materials. Packaging materials, such as nails and other metal or wooden parts may cause stabs or other injuries.

- The base and attachments of the outdoor unit must be periodically checked for looseness, cracks or other damage. If such defects are left uncorrected, the unit may fall down and cause damage or injuries.
- Do not clean the outdoor unit with water. Electric shock may result.
- Tighten all flare nuts to specification using a torque wrench. If tightened too much, the flare nut can break after an extended period and refrigerant can leak out.

1.3. Before electric work

⚠ Caution:

- Be sure to install circuit breakers. If not installed, electric shock may result.
- For the power lines, use standard cables of sufficient capacity. Otherwise, a short circuit, overheating, or fire may result.
- When installing the power lines, do not apply tension to the cables. If the connections are loosened, the cables can snap or break and overheating or fire may result.

- Be sure to ground the unit. Do not connect the ground wire to gas or water pipes, lightning rods, or telephone grounding lines. If the unit is not properly grounded, electric shock may result.
- Use circuit breakers (ground fault interrupter, isolating switch (+B fuse), and molded case circuit breaker) with the specified capacity. If the circuit breaker capacity is larger than the specified capacity, breakdown or fire may result.

1.4. Using R410A refrigerant outdoor units

⚠ Caution:

- Use C1220 copper phosphorus, for copper and copper alloy seamless pipes, to connect the refrigerant pipes. Make sure the insides of the pipes are clean and do not contain any harmful contaminants such as sulfuric compounds, oxidants, debris, or dust. Use pipes with the specified thickness. (Refer to 4.1.) Note the following if reusing existing pipes that carried R22 refrigerant.
 - Replace the existing flare nuts and flare the flared sections again.
 - Do not use thin pipes. (Refer to 4.1.)
- Store the pipes to be used during installation indoors and keep both ends of the pipes sealed until just before brazing. (Leave elbow joints, etc. in their packaging.) If dust, debris, or moisture enters the refrigerant lines, oil deterioration or compressor breakdown may result.
- Use ester oil, ether oil, alkylbenzene oil (small amount) as the refrigeration oil applied to the flared sections. If mineral oil is mixed in the refrigeration oil, oil deterioration may result.

- Do not use refrigerant other than R410A refrigerant. If another refrigerant is used, the chlorine will cause the oil to deteriorate.
- Use the following tools specifically designed for use with R410A refrigerant. The following tools are necessary to use R410A refrigerant. Contact your nearest dealer for any questions.

Tools (for R410A)	
Gauge manifold	Flare tool
Charge hose	Size adjustment gauge
Gas leak detector	Vacuum pump adapter
Torque wrench	Electronic refrigerant charging scale

- Be sure to use the correct tools. If dust, debris, or moisture enters the refrigerant lines, refrigeration oil deterioration may result.
- Do not use a charging cylinder. If a charging cylinder is used, the composition of the refrigerant will change and the efficiency will be lowered.

2. Installation location

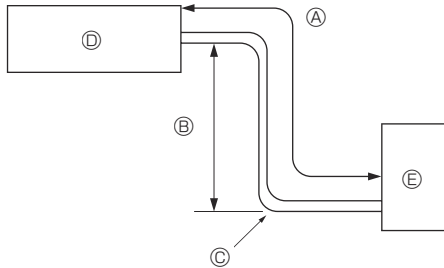


Fig. 2-1

2.1. Refrigerant pipe (Fig. 2-1)

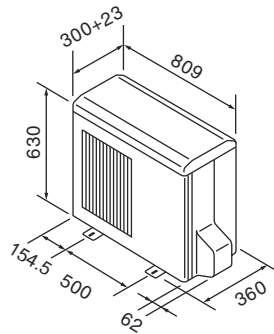
- Check that the difference between the heights of the indoor and outdoor units, the length of refrigerant pipe, and the number of bends in the pipe are within the limits shown below.

Model	Ⓐ Pipe length (one way)	Ⓑ Height difference	Ⓒ Number of bends (one way)
SW50	2 m - 40 m	Max. 30 m	Max. 15
SW75	2 m - 40 m	Max. 30 m	Max. 15
SW100, 120	2 m - 75 m	Max. 30 m	Max. 15

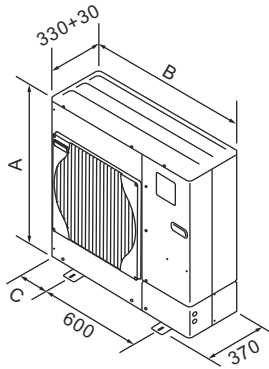
- Height difference limitation is defined regardless of which unit, indoor or outdoor, is positioned higher.
 - Ⓓ Indoor unit
 - Ⓔ Outdoor unit

2. Installation location

■ SW50



■ SW75, 100, 120



Model	A (mm)	B (mm)	C (mm)
SW75	943	950	175
SW100	1350	950	175
SW120	1350	950	175

Fig. 2-2

(mm)

2.2. Choosing the outdoor unit installation location

- Avoid locations exposed to direct sunlight or other sources of heat.
- Select a location from which noise emitted by the unit will not inconvenience neighbors.
- Select a location permitting easy wiring and pipe access to the power source and indoor unit.
- Avoid locations where combustible gases may leak, be produced, flow, or accumulate.
- Note that water may drain from the unit during operation.
- Select a level location that can bear the weight and vibration of the unit.
- Avoid locations where the unit can be covered by snow. In areas where heavy snow fall is anticipated, special precautions such as raising the installation location or installing a hood on the air intake must be taken to prevent the snow from blocking the air intake or blowing directly against it. This can reduce the airflow and a malfunction may result.
- Avoid locations exposed to oil, steam, or sulfuric gas.
- Use the transportation handles of the outdoor unit to transport the unit. If the unit is carried from the bottom, hands or fingers may be pinched.

2.3. Outline dimensions (Outdoor unit) (Fig. 2-2)

2.4. Ventilation and service space

2.4.1. Windy location installation

When installing the outdoor unit on a rooftop or other location unprotected from the wind, situate the air outlet of the unit so that it is not directly exposed to strong winds. Strong wind entering the air outlet may impede the normal airflow and a malfunction may result.

The following shows three examples of precautions against strong winds.

- ① Face the air outlet towards the nearest available wall about 50 cm away from the wall. (Fig. 2-3)
- ② Install an optional air guide if the unit is installed in a location where strong winds from a typhoon, etc. may directly enter the air outlet. (Fig. 2-4)
 - Ⓐ Air outlet guide
- ③ Position the unit so that the air outlet blows perpendicularly to the seasonal wind direction, if possible. (Fig. 2-5)
 - Ⓑ Wind direction

2.4.2. When installing a single outdoor unit (Refer to the last page)

Minimum dimensions are as follows, except for Max., meaning Maximum dimensions, indicated.

The figures in parentheses are for SW100, 120 models.

Refer to the figures for each case.

- ① Obstacles at rear only (Fig. 2-6)
- ② Obstacles at rear and above only (Fig. 2-7)
 - Do not install the optional air outlet guides for upward airflow.
- ③ Obstacles at rear and sides only (Fig. 2-8)
 - * 350 for SW50.
- ④ Obstacles at front only (Fig. 2-9)
 - * When using an optional air outlet guide, the clearance for SW100, 120 models is 500 mm or more.
- ⑤ Obstacles at front and rear only (Fig. 2-10)
 - * When using an optional air outlet guide, the clearance for SW100, 120 models is 500 mm or more.
- ⑥ Obstacles at rear, sides, and above only (Fig. 2-11)
 - * 350 for SW50.
 - Do not install the optional air outlet guides for upward airflow.

2.4.3. When installing multiple outdoor units (Refer to the last page)

Leave 350 mm for SW50 and 10 mm for SW75-120 space or more between the units.

The figures in parentheses are for SW100, 120 models.

Refer to the figures for each case.

- ① Obstacles at rear only (Fig. 2-12)
- ② Obstacles at rear and above only (Fig. 2-13)
 - No more than 3 units must be installed side by side. In addition, leave space as shown.
 - Do not install the optional air outlet guides for upward airflow.
- ③ Obstacles at front only (Fig. 2-14)
 - * When using an optional air outlet guide, the clearance for SW100, 120 models is 1000 mm or more.
- ④ Obstacles at front and rear only (Fig. 2-15)
 - * When using an optional air outlet guide, the clearance for SW100, 120 models is 1000 mm or more.
- ⑤ Single parallel unit arrangement (Fig. 2-16)
 - * When using an optional air outlet guide installed for upward airflow, the clearance is 500 (1000) mm or more.
- ⑥ Multiple parallel unit arrangement (Fig. 2-17)
 - * When using an optional air outlet guide installed for upward airflow, the clearance is 1000 (1500) mm or more.
- ⑦ Stacked unit arrangement (Fig. 2-18)
 - The units can be stacked up to two units high.
 - No more than 2 stacked units must be installed side by side. In addition, leave space as shown.

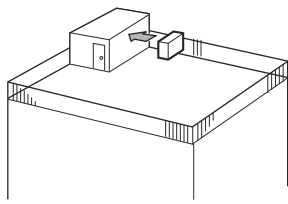


Fig. 2-3

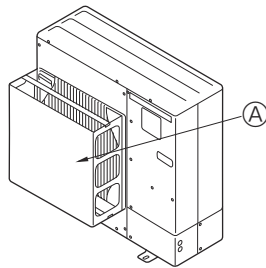


Fig. 2-4

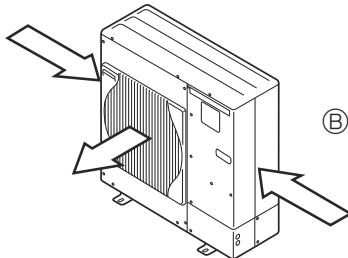
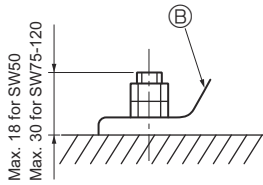
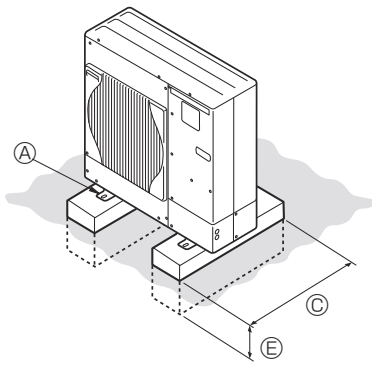


Fig. 2-5

3. Installing the outdoor unit



- Ⓐ M10 (3/8") bolt
- Ⓑ Base
- Ⓒ As long as possible.
- Ⓓ Vent
- Ⓔ Set deep in the ground

(mm)

- Be sure to install the unit in a sturdy, level surface to prevent rattling noises during operation. (Fig. 3-1)

<Foundation specifications>

Foundation bolt	M10 (3/8")
Thickness of concrete	120 mm
Length of bolt	70 mm
Weight-bearing capacity	320 kg

- Make sure that the length of the foundation bolt is within 30 mm of the bottom surface of the base.
- Secure the base of the unit firmly with four-M10 foundation bolts in sturdy locations.

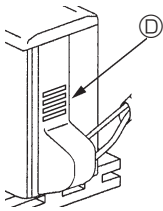
Installing the outdoor unit

- Do not block the vent. If the vent is blocked, operation will be hindered and breakdown may result.
- In addition to the unit base, use the installation holes on the back of the unit to attach wires, etc., if necessary to install the unit. Use self-tapping screws (ø5 × 15 mm or less) and install on site.

⚠ Warning:

- The unit must be securely installed on a structure that can sustain its weight. If the unit is mounted on an unstable structure, it may fall down and cause damage or injuries.
- The unit must be installed according to the instructions in order to minimize the risk of damage from earthquakes, typhoons, or strong winds. An incorrectly installed unit may fall down and cause damage or injuries.

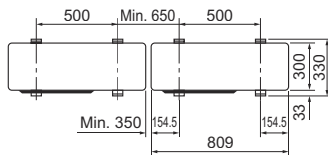
■ SW50



■ SW75-120



■ SW50



■ SW75-120

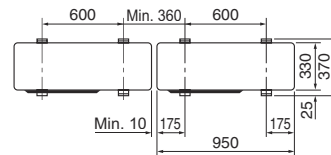


Fig. 3-1

4. Installing the refrigerant piping

4.1. Precautions for devices that use R410A refrigerant

- Refer to 1.4. for precautions not included below on using outdoor units with R410A refrigerant.
- Use ester oil, ether oil, alkylbenzene oil (small amount) as the refrigeration oil applied to the flared sections.
- Use C1220 copper phosphorus, for copper and copper alloy seamless pipes, to connect the refrigerant pipes. Use refrigerant pipes with the thicknesses specified in the table to the below. Make sure the insides of the pipes are clean and do not contain any harmful contaminants such as sulfuric compounds, oxidants, debris, or dust.

Always apply no-oxidation brazing when brazing the pipes, otherwise, the compressor will be damaged.

⚠ Warning:

When installing or relocating, or servicing the outdoor unit, use only the specified refrigerant (R410A) to charge the refrigerant lines. Do not mix it with any other refrigerant and do not allow air to remain in the lines.

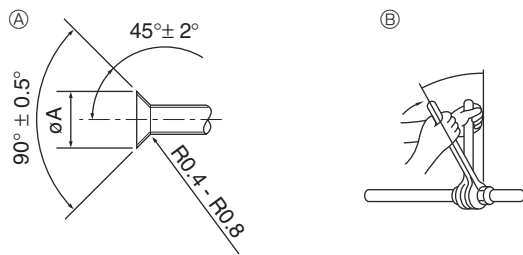
If air is mixed with the refrigerant, then it can be the cause of abnormal high pressure in the refrigerant line, and may result in an explosion and other hazards.

The use of any refrigerant other than that specified for the system will cause mechanical failure or system malfunction or unit breakdown. In the worst case, this could lead to a serious impediment to securing product safety.

Pipe size (mm)	ø6.35	ø9.52	ø12.7	ø15.88	ø19.05	ø22.2	ø25.4	ø28.58
Thickness (mm)	0.8	0.8	0.8	1.0	1.0	1.0	1.0	1.0

- Do not use pipes thinner than those specified above.
- Use 1/2 H or H pipes if the diameter is 22.2 mm or larger.

4. Installing the refrigerant piping



- Ⓐ Flare cutting dimensions
Ⓑ Flare nut tightening torque

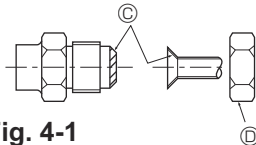


Fig. 4-1

Ⓐ (Fig. 4-1)

Copper pipe O.D. (mm)	Flare dimensions ϕA dimensions (mm)
$\phi 6.35$	8.7 - 9.1
$\phi 9.52$	12.8 - 13.2
$\phi 12.7$	16.2 - 16.6
$\phi 15.88$	19.3 - 19.7
$\phi 19.05$	23.6 - 24.0

Ⓑ (Fig. 4-1)

Copper pipe O.D. (mm)	Flare nut O.D. (mm)	Tightening torque (N·m)
$\phi 6.35$	17	14 - 18
$\phi 6.35$	22	34 - 42
$\phi 9.52$	22	34 - 42
$\phi 12.7$	26	49 - 61
$\phi 12.7$	29	68 - 82
$\phi 15.88$	29	68 - 82
$\phi 15.88$	36	100 - 120
$\phi 19.05$	36	100 - 120

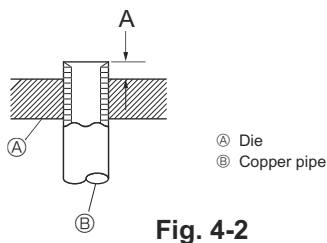


Fig. 4-2

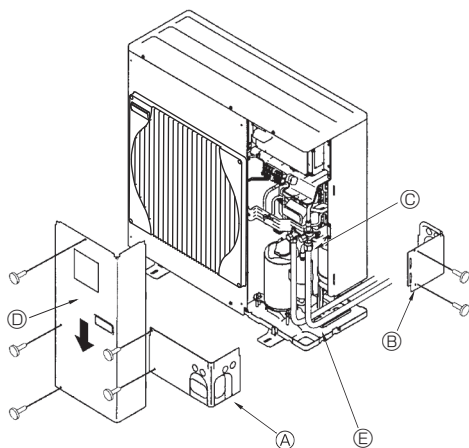


Fig. 4-3

- Ⓐ Front piping cover
Ⓑ Piping cover
Ⓒ Stop valve
Ⓓ Service panel
Ⓔ Bend radius : 100 mm - 150 mm

4.2. Connecting pipes (Fig. 4-1)

- When commercially available copper pipes are used, wrap liquid and gas pipes with commercially available insulation materials (heat-resistant to 100 °C or more, thickness of 12 mm or more). Direct contact with the bare piping may result in burns on frostbite.
- The indoor parts of the drain pipe should be wrapped with polyethylene foam insulation materials (specific gravity of 0.03, thickness of 9 mm or more).
- Apply thin layer of refrigerant oil to pipe and joint seating surface before tightening flare nut. Ⓐ
- Use two wrenches to tighten piping connections. Ⓑ
- Use leak detector or soapy water to check for gas leaks after connections are completed.
- Apply refrigerating machine oil over the entire flare seat surface. Ⓒ
- Use the flare nuts for the following pipe size. Ⓓ

		SW50	SW75	SW100, 120
Gas side	Pipe size (mm)	$\phi 12.7$	$\phi 15.88$	$\phi 15.88$
Liquid side	Pipe size (mm)	$\phi 6.35$	$\phi 9.52$	$\phi 9.52$

- When bending the pipes, be careful not to break them. Bend radii of 100 mm to 150 mm are sufficient.
- Make sure the pipes do not contact the compressor. Abnormal noise or vibration may result.
- Pipes must be connected starting from the indoor unit.
Flare nuts must be tightened with a torque wrench.
- Flare the liquid pipes and gas pipes and apply a thin layer of refrigeration oil (Applied on site).
- When usual pipe sealing is used, refer to Table 1 for flaring of R410A refrigerant pipes.
The size adjustment gauge can be used to confirm A measurements.

Table 1 (Fig. 4-2)

Copper pipe O.D. (mm)	A (mm)	
	Flare tool for R410A Clutch type	
$\phi 6.35$ (1/4")	0 - 0.5	
$\phi 9.52$ (3/8")	0 - 0.5	
$\phi 12.7$ (1/2")	0 - 0.5	
$\phi 15.88$ (5/8")	0 - 0.5	
$\phi 19.05$ (3/4")	0 - 0.5	

⚠ Warning:

When installing the unit, securely connect the refrigerant pipes before starting the compressor.

4.3. Refrigerant piping (Fig. 4-3)

■ For SW50

Remove the service panel Ⓓ (1 screw).

■ For SW75-120

Remove the service panel Ⓓ (3 screws) and the front piping cover Ⓐ (2 screws) and rear piping cover Ⓑ (2 screws: SW75) (4 screws: SW100, 120).

- Perform refrigerant piping connections for the indoor/outdoor unit when the outdoor unit's stop valve is completely closed.
- Vacuum-purge air from the indoor unit and the connection piping.
- After connecting the refrigerant pipes, check the connected pipes and the indoor unit for gas leaks. (Refer to 4.4 Refrigerant pipe airtight testing method)
- A high-performance vacuum pump is used at the stop valve service port to maintain a vacuum for an adequate time (at least one hour after reaching -101 kPa (5 Torr)) in order to vacuum dry the inside of the pipes. Always check the degree of vacuum at the gauge manifold. If there is any moisture left in the pipe, the degree of vacuum is sometimes not reached with short-time vacuum application.
After vacuum drying, completely open the stop valves (both liquid and gas) for the outdoor unit. This completely links the indoor and outdoor refrigerant circuits.
 - If the vacuum drying is inadequate, air and water vapor remain in the refrigerant circuits and can cause abnormal rise of high pressure, abnormal drop of low pressure, deterioration of the refrigerating machine oil due to moisture, etc.
 - If the stop valves are left closed and the unit is operated, the compressor and control valves will be damaged.
 - Use a leak detector or soapy water to check for gas leaks at the pipe connection sections of the outdoor unit.
 - Do not use the refrigerant from the unit to purge air from the refrigerant lines.
 - After the valve work is completed, tighten the valve caps to the correct torque: 20 to 25 N·m (200 to 250 kgf·cm).
Failure to replace and tighten the caps may result in refrigerant leakage. In addition, do not damage the insides of the valve caps as they act as a seal to prevent refrigerant leakage.
- Use sealant to seal the ends of the thermal insulation around the pipe connection sections to prevent water from entering the thermal insulation.

4. Installing the refrigerant piping

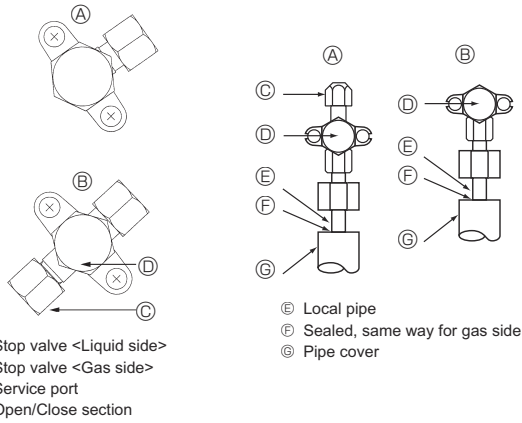


Fig. 4-4

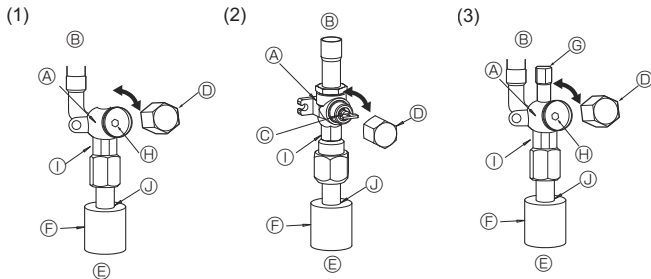


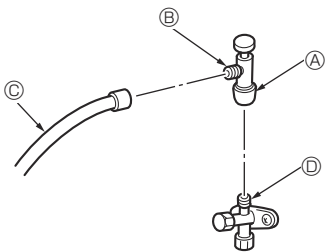
Fig. 4-5

Fig. 4-6

Fig. 4-7

- ① Valve
- ② Unit side
- ③ Handle
- ④ Cap
- ⑤ Local pipe side
- ⑥ Pipe cover
- ⑦ Service port
- ⑧ Wrench hole

- ① Double spanner section
(Do not apply a spanner other than to this section. Doing so would cause coolant leaks.)
- ② Seal section
(Seal the end of the heat insulation material at the pipe connection section with whatever seal material you have on hand so that water does not infiltrate the heat insulation material.)



* The figure to the left is an example only. The stop valve shape, service port position, etc., may vary according to the model.
 * Turn section ③ only. (Do not further tighten sections ① and ② together.)

- ③ Charge hose
- ④ Service port

Fig. 4-8

4.4. Refrigerant pipe airtight testing method (Fig. 4-4)

- (1) Connect the testing tools.
 - Make sure the stop valves ④ ⑤ are closed and do not open them.
 - Add pressure to the refrigerant lines through the service port ⑥ of the liquid stop valve ④.
- (2) Do not add pressure to the specified pressure all at once; add pressure little by little.
 - ① Pressurize to 0.5 MPa (5 kgf/cm²G), wait five minutes, and make sure the pressure does not decrease.
 - ② Pressurize to 1.5 MPa (15 kgf/cm²G), wait five minutes, and make sure the pressure does not decrease.
 - ③ Pressurize to 4.15 MPa (41.5 kgf/cm²G) and measure the surrounding temperature and refrigerant pressure.
- (3) If the specified pressure holds for about one day and does not decrease, the pipes have passed the test and there are no leaks.
 - If the surrounding temperature changes by 1 °C, the pressure will change by about 0.01 MPa (0.1 kgf/cm²G). Make the necessary corrections.
- (4) If the pressure decreases in steps (2) or (3), there is a gas leak. Look for the source of the gas leak.

4.5. Stop valve opening method

The stop valve opening method varies according to the outdoor unit model. Use the appropriate method to open the stop valves.

- (1) Gas side of SW75 (Fig. 4-5)
 - ① Remove the cap and turn the valve rod counter clock wise as far as it will go with the use of a 5 mm hexagonal wrench. Stop turning when it hits the stopper. (ø15.88: Approximately 13 revolutions)
 - ② Make sure that the stop valve is open completely and rotate the cap back to its original position.
- (2) Gas side of SW100, 120 (Fig. 4-6)
 - ① Remove the cap, pull the handle toward you and rotate 1/4 turn in a counterclockwise direction to open.
 - ② Make sure that the stop valve is open completely, push in the handle and rotate the cap back to its original position.
- (3) Liquid side of SW75-120 and Gas/Liquid side of SW50-75 (Fig. 4-7)
 - ① Remove the cap and turn the valve rod counterclockwise as far as it will go with the use of a 4 mm hexagonal wrench. Stop turning when it hits the stopper. (ø9.52: Approximately 10 revolutions)
 - ② Make sure that the stop valve is open completely, push in the handle and rotate the cap back to its original position.

Refrigerant pipes are protectively wrapped for SW75-120

- The pipes can be protectively wrapped up to a diameter of ø90 before or after connecting the pipes. Cut out the knockout in the pipe cover following the groove and wrap the pipes.

Pipe inlet gap for SW75-120

- Use putty or sealant to seal the pipe inlet around the pipes so that no gaps remain. (If the gaps are not closed, noise may be emitted or water and dust will enter the unit and breakdown may result.)

Precautions when using the charge valve (Fig. 4-8)

Do not tighten the service port too much when installing it, otherwise, the valve core could be deformed and become loose, causing a gas leak.

After positioning section ③ in the desired direction, turn section ④ only and tighten it. Do not further tighten sections ① and ② together after tightening section ④.

4.6. Addition of refrigerant

- Additional charging is not necessary if the pipe length does not exceed 10 m.
- If the pipe length exceeds 10 m, charge the unit with additional R410A refrigerant according to the permitted pipe lengths in the chart below.
 - * When the unit is stopped, charge the unit with the additional refrigerant through the liquid stop valve after the pipe extensions and indoor unit have been vacuumized.
 - When the unit is operating, add refrigerant to the gas check valve using a safety charger. Do not add liquid refrigerant directly to the check valve.
 - * After charging the unit with refrigerant, note the added refrigerant amount on the service label (attached to the unit).
 - Refer to the "1.4. Using R410A refrigerant outdoor unit" for more information.

- Be careful when installing multiple units. Connecting to an incorrect indoor unit can lead to abnormally high pressure and have a serious effect on operation performance.

Model	Permitted pipe length	Permitted vertical difference	Additional refrigerant charging amount					
			11 - 20 m	21 - 30 m	31 - 40 m	41 - 50 m	51 - 60 m	61 - 75 m
SW50	2 m - 40 m	-30 m	0.2 kg	0.4 kg	0.6 kg	—	—	—
SW75	2 m - 40 m	-30 m	0.15 kg	0.3 kg	0.6 kg	—	—	—
SW100, 120	2 m - 75 m	-30 m	0.2 kg	0.4 kg	1.0 kg	1.6 kg	2.2 kg	2.8 kg

5. Drainage piping work

Outdoor unit drainage pipe connection

When drain piping is necessary, use the drain socket or the drain pan (option).

	SW50	SW75	SW100, 120
Drain socket	PAC-SJ08DS-E	PAC-SG61DS-E	
Drain pan	PAC-SG63DP-E	PAC-SG64DP-E	

6. Water piping work

Minimum water quantity

Following water quantity is required in the water circuit.

Model	Minimum water quantity (L)
SW50	22
SW75	32
SW100	43
SW120	54

Make sure to perform freeze protection measure such as applying anti-freeze solution when operating the unit on cooling mode under low ambient temperature (under 0 °C).

7. Electrical work

7.1. Outdoor unit (Fig. 7-1, Fig. 7-2)

- ① Remove the service panel.
- ② Wire the cables referring to the Fig. 7-1 and the Fig. 7-2.

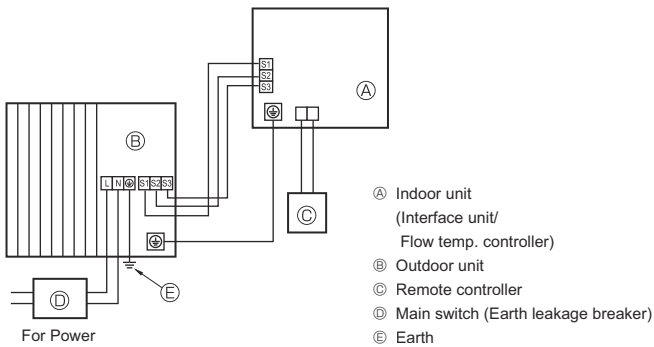
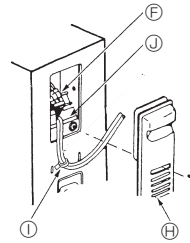
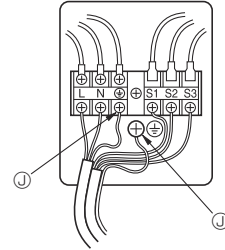


Fig. 7-1

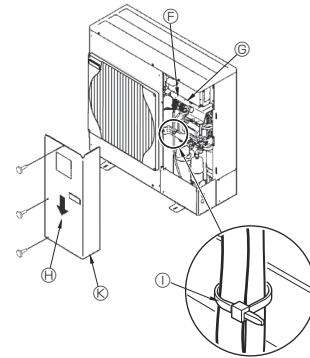
■ SW50



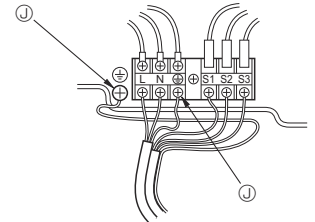
■ SW50



■ SW75-120



■ SW75-120V



■ SW100, 120Y

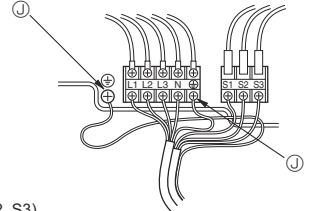


Fig. 7-2

- Ⓕ Terminal block
- Ⓖ Indoor/Outdoor connection terminal block (S1, S2, S3)
- Ⓗ Service panel
- Ⓘ Clamp
- * Clamp the cables so that they do not contact the center of the service panel or the gas valve.
- ⓵ Earth terminal
- ⓷ Wire the cables so that they do not contact the center of the service panel.

Note :
If the protective sheet for the electrical box is removed during servicing, be sure to reinstall it.

⚠ Caution:
Be sure to install N-Line. Without N-Line, it could cause damage to unit.

7. Electrical work

7.2. Field electrical wiring

Outdoor unit model	SW50V	SW75V	SW100V	SW120V	SW100, 120Y	
Outdoor unit power supply	~N (single), 50 Hz, 230 V	~N (single), 50 Hz, 230 V	~N (single), 50 Hz, 230 V	~N (single), 50 Hz, 230 V	3N~ (3 ph 4-wires), 50 Hz, 400 V	
Outdoor unit input capacity Main switch (Breaker)	*1	16 A	25 A	32 A	40 A	16 A
Wiring Wire No. × size (mm ²)	Outdoor unit power supply	3 × Min. 1.5	3 × Min. 2.5	3 × Min. 4	3 × Min. 6	5 × Min. 1.5
	Indoor unit-Outdoor unit	*2	3 × 1.5 (Polar)	3 × 1.5 (Polar)	3 × 1.5 (Polar)	3 × 1.5 (Polar)
	Indoor unit-Outdoor unit earth	*2	1 × Min. 1.5	1 × Min. 1.5	1 × Min. 1.5	1 × Min. 1.5
	Remote controller-Indoor unit	*3	2 × 0.3 (Non-polar)	2 × 0.3 (Non-polar)	2 × 0.3 (Non-polar)	2 × 0.3 (Non-polar)
Circuit rating	Outdoor unit L-N (single)	*4	230 VAC	230 VAC	230 VAC	230 VAC
	Outdoor unit L1-N, L2-N, L3-N (3 phase)	*4	230 VAC	230 VAC	230 VAC	230 VAC
	Indoor unit-Outdoor unit S1-S2	*4	230 VAC	230 VAC	230 VAC	230 VAC
	Indoor unit-Outdoor unit S2-S3	*4	24 VDC	24 VDC	24 VDC	24 VDC
Remote controller-Indoor unit	*4	12 VDC	12 VDC	12 VDC	12 VDC	12 VDC

*1. A breaker with at least 3.0 mm contact separation in each poles shall be provided. Use earth leakage breaker (NV).

Make sure that the current leakage breaker is one compatible with higher harmonics.

Always use a current leakage breaker that is compatible with higher harmonics as this unit is equipped with an inverter.

The use of an inadequate breaker can cause the incorrect operation of inverter.

*2. Max. 45 m

If 2.5 mm² used, Max. 50 m

If 2.5 mm² used and S3 separated, Max. 80 m

*3. The 10 m wire is attached in the remote controller accessory.

*4. The figures are NOT always against the ground.

S3 terminal has 24 VDC against S2 terminal. However between S3 and S1, these terminals are NOT electrically insulated by the transformer or other device.

Notes: 1. Wiring size must comply with the applicable local and national codes.

2. Power supply cables and the cables between Interface unit/Flow temp. controller and outdoor unit shall not be lighter than polychloroprene sheathed flexible cables. (Design 60245 IEC 57)

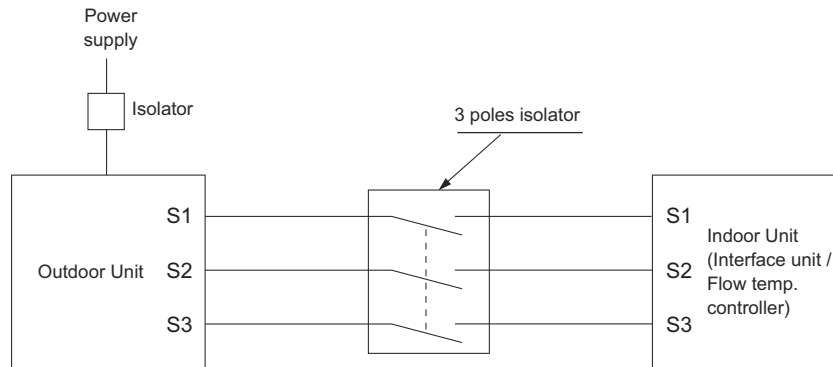
3. Be sure to connect the cables between Interface unit/Flow temp. controller and outdoor unit directly to the units (no intermediate connections are allowed).

Intermediate connections may result in communication errors. If water enters at the intermediate connection point, it may cause insufficient insulation to ground or a poor electrical contact.

(If an intermediate connection is necessary, be sure to take measures to prevent water from entering the cables.)

4. Install an earth longer than other cables.

5. Do not construct a system with a power supply that is turned ON and OFF frequently.

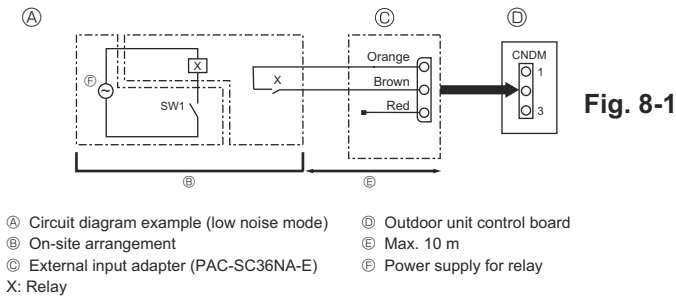


⚠ Warning:

- In case of A-control wiring, there is high voltage potential on the S3 terminal caused by electrical circuit design that has no electrical insulation between power line and communication signal line. Therefore, please turn off the main power supply when servicing. And do not touch the S1, S2, S3 terminals when the power is energized. If isolator should be used between indoor unit and outdoor unit, please use 3-pole type.

Never splice the power cable or the indoor-outdoor connection cable, otherwise it may result in a smoke, a fire or communication failure.

8. Special Functions



8.1. Low noise mode (on-site modification) (Fig. 8-1)

By performing the following modification, operation noise of the outdoor unit can be reduced by about 3-4 dB.

The low noise mode will be activated when a commercially available timer or the contact input of an ON/OFF switch is added to the CNDM connector (option) on the control board of the outdoor unit.

- The ability varies according to the outdoor temperature and conditions, etc.

① Complete the circuit as shown when using the external input adapter (PAC-SC36NA-E). (Option)

② SW7-1 (Outdoor unit control board): OFF

③ SW1 ON: Low noise mode
SW1 OFF: Normal operation

8.2. Refrigerant collecting (pump down)

Perform the following procedures to collect the refrigerant when moving the indoor unit or the outdoor unit.

① Supply power (circuit breaker).

- When power is supplied, make sure that "CENTRALLY CONTROLLED" is not displayed on the remote controller. If "CENTRALLY CONTROLLED" is displayed, the refrigerant collecting (pump down) cannot be completed normally.
- Start-up of the indoor-outdoor communication takes about 3 minutes after the power (circuit breaker) is turned on. Start the pump-down operation 3 to 4 minutes after the power (circuit breaker) is turned ON.
- In the case of multi-units control, before powering on, disconnect the wiring between the master indoor unit and the slave indoor unit. For more details refer to the installation manual for the indoor unit.

② After the liquid stop valve is closed, set the SWP switch on the control board of the outdoor unit to ON. The compressor (outdoor unit) and ventilators (indoor and outdoor units) start operating and refrigerant collecting operation begins. LED1 and LED2 on the control board of the outdoor unit are lit.

- Only set the SWP switch (push-button type) to ON if the unit is stopped. However, even if the unit is stopped and the SWP switch is set to ON less than 3 minutes after the compressor stops, the refrigerant collecting operation cannot be performed. Wait until compressor has been stopped for 3 minutes and then set the SWP switch to ON again.

③ Because the unit automatically stops in about 2 to 3 minutes when the refrigerant collecting operation is completed (LED1 off, LED2 lit), be sure to quickly close the gas stop valve. If LED1 is lit and LED2 is off and the outdoor unit is stopped, refrigerant collection is not properly performed. Open the liquid stop valve completely, and then repeat step ② after 3 minutes have passed.

- If the refrigerant collecting operation has been completed normally (LED1 off, LED2 lit), the unit will remain stopped until the power supply is turned off.

④ Turn off the power supply (circuit breaker).

- Note that when the extension piping is very long with large refrigerant amount, it may not be possible to perform a pump-down operation. When performing the pump-down operation, make sure that the low pressure is lowered to near 0 MPa (gauge).

⚠ Warning:

When pumping down the refrigerant, stop the compressor before disconnecting the refrigerant pipes. The compressor may burst if air etc. get into it.

9. System control

Set the refrigerant address using the DIP switch of the outdoor unit.

SW1 Function Setting

SW1 Setting	Refrigerant address	SW1 Setting	Refrigerant address
ON OFF <input type="checkbox"/> <input type="checkbox"/> <input type="checkbox"/> <input type="checkbox"/> <input type="checkbox"/> <input type="checkbox"/> <input type="checkbox"/> <input type="checkbox"/> 3 4 5 6 7	00	ON OFF <input type="checkbox"/> <input type="checkbox"/> <input type="checkbox"/> <input type="checkbox"/> <input type="checkbox"/> <input type="checkbox"/> <input type="checkbox"/> <input type="checkbox"/> 3 4 5 6 7	03
ON OFF <input type="checkbox"/> <input type="checkbox"/> <input type="checkbox"/> <input type="checkbox"/> <input type="checkbox"/> <input type="checkbox"/> <input type="checkbox"/> <input type="checkbox"/> 3 4 5 6 7	01	ON OFF <input type="checkbox"/> <input type="checkbox"/> <input type="checkbox"/> <input type="checkbox"/> <input type="checkbox"/> <input type="checkbox"/> <input type="checkbox"/> <input type="checkbox"/> 3 4 5 6 7	04
ON OFF <input type="checkbox"/> <input type="checkbox"/> <input type="checkbox"/> <input type="checkbox"/> <input type="checkbox"/> <input type="checkbox"/> <input type="checkbox"/> <input type="checkbox"/> 3 4 5 6 7	02	ON OFF <input type="checkbox"/> <input type="checkbox"/> <input type="checkbox"/> <input type="checkbox"/> <input type="checkbox"/> <input type="checkbox"/> <input type="checkbox"/> <input type="checkbox"/> 3 4 5 6 7	05

Note:

a) Up to 6 units can be connected.

b) Select one single model for all units.

c) For Dip switch setting for indoor unit, refer to the indoor unit's installation manual.

10. Specifications

Outdoor model	PUHZ-SW50VKA	PUHZ-SW75VHA	PUHZ-SW100VHA	PUHZ-SW120VHA	PUHZ-SW100YHA	PUHZ-SW120YHA		
Power supply	V / Phase / Hz			230 / Single / 50		400 / Three / 50		
Dimensions (W × H × D)	mm	809 × 630 × 360	950 × 943 × 330(+30)	950 × 1350 × 330(+30)				
Sound Level *1								
SPL	Heating	dB(A)	46	51	54	54	54	54
	Cooling	dB(A)	46	48	50	51	50	51
PWL	Heating	dB(A)	63	69	70	72	70	72

*1 Measured under rated operation frequency.

Inhalt

1. Sicherheitsvorkehrungen.....	11	6. Wasserrohrarbeiten.....	17
2. Aufstellort.....	12	7. Elektroarbeiten.....	17
3. Einbau der Außenanlage.....	14	8. Spezielle Funktionen.....	19
4. Installation der Kältemittelrohrleitung.....	14	9. Systemsteuerung.....	19
5. Verrohrung der Dränage.....	17	10. Technische Daten.....	19

Hinweis: Dieses Symbolzeichen ist nur für EU-Länder bestimmt.

Dieses Symbolzeichen entspricht der Richtlinie 2012/19/EU Artikel 14 Informationen für die Nutzer und Anhang IX

Ihr MITSUBISHI ELECTRIC-Produkt wurde unter Einsatz von qualitativ hochwertigen Materialien und Komponenten konstruiert und gefertigt, die für Recycling geeignet sind.

Dieses Symbol bedeutet, dass elektrische und elektronische Geräte am Ende ihrer Nutzungsdauer von Hausmüll getrennt zu entsorgen sind.

Bitte entsorgen Sie dieses Gerät bei Ihrer kommunalen Sammelstelle oder im örtlichen Recycling-Zentrum.

In der Europäischen Union gibt es unterschiedliche Sammelsysteme für gebrauchte Elektrik- und Elektronikgeräte.

Bitte helfen Sie uns, die Umwelt zu erhalten, in der wir leben!



⚠ Vorsicht:

• Lassen Sie R410A nicht in die Atmosphäre ab:

• R410A ist ein fluoriertes Treibhausgas nach dem Kyoto-Protokoll und besitzt ein Treibhauspotenzial (GWP)=1975.

1. Sicherheitsvorkehrungen

- ▶ Vor dem Einbau der Anlage vergewissern, dass Sie alle Informationen über "Sicherheitsvorkehrungen" gelesen haben.
- ▶ Vor Anschluss an das System Mitteilung an Stromversorgungsunternehmen machen oder dessen Genehmigung einholen.

⚠ Warnung:

Beschreibt Vorkehrungen, die beachtet werden müssen, um den Benutzer vor der Gefahr von Verletzungen oder tödlichen Unfällen zu bewahren.

⚠ Vorsicht:

Beschreibt Vorkehrungen, die beachtet werden müssen, damit an der Anlage keine Schäden entstehen.

⚠ Warnung:

- Das Gerät darf nicht vom Benutzer installiert werden. Bitten Sie Ihren Fachhändler oder einen geprüften Fachtechniker, die Installation der Anlage vorzunehmen. Wenn das Gerät unsachgemäß installiert wurde, kann dies Wasseraustritt, Stromschläge oder einen Brand zur Folge haben.
- Folgen Sie bei der Installation den Anweisungen der Installationsanleitung und verwenden Sie Werkzeuge und Rohrleitungskomponenten, die ausdrücklich für den Einsatz von Kältemittel R410A ausgelegt sind. Das Kältemittel R410A ist in dem HFC-System 1,6-fach höher mit Druck beaufschlagt als übliche Kältemittel. Wenn Rohrleitungskomponenten verwendet werden, die nicht für das Kältemittel R410A ausgelegt sind und die Anlage falsch installiert wird, können Rohrleitungen platzen und Sachschäden oder Verletzungen verursachen. Außerdem kann dies zu Wasseraustritt, Stromschlag oder einen Brand zur Folge haben.
- Die Anlage muss entsprechend der Anweisungen installiert werden, um das Schadensrisiko bei Erdbeben, Taifunen oder starken Winden zu minimieren. Ein falsch installiertes Gerät kann herabfallen und Sachschäden oder Verletzungen verursachen.
- Die Anlage muss sicher an einem Bauteil installiert werden, das das Gewicht der Anlage tragen kann. Wenn die Anlage an einem zu schwachen Bauteil befestigt wird, besteht die Gefahr, dass sie herabfällt und Sachschäden oder Verletzungen verursacht.
- Wenn die Außenanlage in einem kleinen Raum installiert wird, müssen Maßnahmen ergriffen werden, damit im Fall eines Kältemittelaustritts die Kältemittelkonzentration in dem Raum den Sicherheitsgrenzwert nicht überschreitet. Wenden Sie bezüglich geeigneter Maßnahmen zur Einhaltung der zulässigen Konzentrationen an einen Fachhändler. Bei Kühlmittelaustritt und daraus resultierender Überschreitung des Grenzwerts können in dem Raum Gefahren aufgrund von Sauerstoffmangel auftreten.
- Lüften Sie den Raum, wenn bei Betrieb Kältemittel austritt. Wenn das Kältemittel mit einer Flamme in Kontakt kommt, werden giftige Gase freigesetzt.
- Alle Elektroarbeiten sind von einem qualifizierten Fachelektriker gemäß der örtlichen Vorschriften und der Anweisungen dieser Anleitung auszuführen. Die Geräte müssen über eigene Stromkreise verfügen und es müssen die richtige Betriebsspannung und die richtigen Leistungsschalter verwendet werden. Stromleitungen mit unzureichender Kapazität oder falsch ausgeführte Elektroarbeiten können Stromschläge oder Brände verursachen.
- Verwenden Sie zur Verbindung der Kältemittelrohrleitungen für nahtlose Rohre aus Kupfer und Kupferlegierungen Kupfer-Phosphor C1220. Wenn die Rohrleitungen nicht korrekt verbunden sind, ist das Gerät nicht ordnungsgemäß geerdet, was Stromschläge zur Folge haben kann.

Erläutern Sie dem Kunden nach Abschluss der Installationsarbeiten die "Sicherheitsvorkehrungen" sowie die Nutzung und Wartung der Anlage entsprechend den Informationen in der Bedienungsanleitung und führen Sie einen Testlauf durch, um sicherzustellen, dass die Anlage ordnungsgemäß funktioniert. Geben Sie dem Benutzer sowohl die Installations- als auch die Bedienungsanleitung zur Aufbewahrung. Diese Anleitungen sind auch den nachfolgenden Besitzern der Anlage weiterzugeben.

⚡ : Verweist auf einen Teil der Anlage, der geerdet werden muss.

⚠ Warnung:

Sorgfältig die auf der Hauptanlage aufgetragenen Aufschriften lesen.

- Verwenden Sie zur Verdrahtung nur die angegebenen Kabel. Die Anschlüsse müssen fest und sicher ohne Zugbelastung auf den Klemmen vorgenommen werden. Spleißen Sie außerdem niemals die Kabel für die Verdrahtung (außer es wird in diesem Dokument entsprechend angegeben). Wenn die Kabel falsch angeschlossen oder installiert sind, kann dies Überhitzung oder einen Brand zur Folge haben.
- Die Abdeckplatte der Klemmleiste der Außenanlage muss fest angebracht werden. Wenn die Abdeckplatte falsch montiert ist und Staub und Feuchtigkeit in die Anlage eindringen, kann dies einen Stromschlag oder Brand zur Folge haben.
- Beim Installieren oder Umsetzen oder Warten der Außenanlage darf nur das angegebene Kältemittel (R410A) zur Befüllung der Kältemittelleitungen verwendet werden. Vermischen Sie es nicht mit anderem Kältemittel und lassen Sie nicht zu, dass Luft in den Leitungen zurückbleibt. Wenn sich Luft mit dem Kältemittel vermischt, kann dies zu einem ungewöhnlich hohen Druck in der Kältemittelleitung führen und eine Explosion oder andere Gefahren verursachen. Die Verwendung eines anderen als des für das System angegebenen Kältemittels führt zu mechanischem Versagen, einer Fehlfunktion des Systems oder einer Beschädigung des Geräts. Im schlimmsten Fall kann sie ein schwerwiegendes Hindernis für die Aufrechterhaltung der Produktsicherheit darstellen.
- Verwenden Sie nur von Mitsubishi Electric zugelassenes Zubehör und lassen Sie dieses durch Ihren Fachhändler oder einen autorisierten Techniker einbauen. Wenn Zubehör falsch installiert wurde, kann dies zu Wasseraustritt, Stromschlag oder einem Brand führen.
- Verändern Sie die Anlage nicht. Wenden Sie sich für Reparaturen an Ihren Fachhändler. Wenn Änderungen oder Reparaturen falsch ausgeführt wurden, kann dies zu Wasseraustritt, Stromschlag oder einem Brand führen.
- Der Benutzer darf niemals versuchen, die Anlage zu reparieren oder an einem anderen Ort aufzustellen. Wenn das Gerät unsachgemäß installiert wurde, kann dies Wasseraustritt, Stromschläge oder einen Brand zur Folge haben. Wenn die Außenanlage repariert oder transportiert werden muss, wenden Sie sich dazu an Ihren Fachhändler oder einen autorisierten Techniker.
- Prüfen Sie die Anlage nach Abschluss der Installation auf Kältemittelaustritt. Wenn Kältemittel in den Raum gelangt und mit der Flamme einer Heizung oder einer transportablen Kochstelle in Berührung kommt, werden giftige Gase freigesetzt.

1.1. Vor der Installation

⚠ Vorsicht:

- Setzen Sie die Anlage nicht in unüblichem Umfeld ein. Wenn die Außenanlage in Bereichen installiert ist, in denen sie Rauch, austretendem Öl (einschließlich Maschinenöl) oder Schwefeldämpfen ausgesetzt ist, oder in Gegenden mit hohem Salzgehalt, etwa am Meer, oder in Bereichen, in denen die Anlage mit Schnee bedeckt wird, kann dies erhebliche Leistungsbeeinträchtigungen und Schäden an den Geräteteilen im Inneren der Anlage zur Folge haben.
- Installieren Sie die Anlage nicht in Bereichen, in denen entzündliche Gase austreten, hergestellt werden, ausströmen oder sich ansammeln können. Wenn sich entzündliche Gase im Bereich der Anlage ansammeln, kann dies zu einem Brand oder einer Explosion führen.

- Während des Heizens entsteht an der Außenanlage Kondenswasser. Sorgen Sie für eine Wasserableitung rund um die Außenanlage, wenn Kondenswasser Schäden verursachen kann.
- Bei der Installation der Anlage in Krankenhäusern oder Kommunikationseinrichtungen müssen Sie mit Lärmbelastung und elektronischen Störungen rechnen. Inverter, Haushaltsgeräte, medizinische Hochfrequenzapparate und Telekommunikationseinrichtungen können Fehlfunktionen oder den Ausfall der Außenanlage verursachen. Die Außenanlage kann auch medizinische Geräte in Mitleidenschaft ziehen, die medizinische Versorgung und Kommunikationseinrichtungen durch Beeinträchtigung der Bildschirmdarstellung stören.

1. Sicherheitsvorkehrungen

1.2. Vor der Installation (Transport)

⚠ Vorsicht:

- Beim Transportieren oder Einbauen der Anlagen besondere Sorgfalt walten lassen. Zum Transport der Anlage sind mindestens zwei Personen nötig, da die Anlage 20 kg oder mehr wiegt. Tragen Sie die Anlage nicht an den Verpackungsbändern. Beim Entnehmen der Anlage aus der Verpackung und beim Aufstellen Schutzhandschuhe tragen, um Verletzungen durch Rippen oder scharfe Kanten anderer Teile zu vermeiden.
- Sorgen Sie für eine ordnungsgemäße Entsorgung der Verpackungsmaterialien. Verpackungsmaterialien wie Nägel sowie andere metallene oder hölzerne Teile können Verletzungen verursachen.

- Die Bodenplatte und die Befestigungsteile der Außenanlage müssen regelmäßig auf Festigkeit, Risse und andere Schäden geprüft werden. Wenn solche Schäden nicht behoben werden, kann die Anlage herabfallen und dabei Verletzungen oder Sachschäden verursachen.
- Die Außenanlage darf nicht mit Wasser gereinigt werden. Dadurch besteht die Gefahr eines Stromschlags.
- Alle Konusmuttern müssen mit einem Drehmomentschlüssel entsprechend den technischen Anweisungen angezogen werden. Wenn die Mutter zu fest angezogen werden, besteht die Gefahr, dass die Konusmutter nach einer gewissen Zeit bricht und Kältemittel austritt.

1.3. Vor den Elektroarbeiten

⚠ Vorsicht:

- Installieren Sie auf jeden Fall Leistungsschalter. Andernfalls besteht die Gefahr von Stromschlägen.
- Verwenden Sie für die Netzleitungen handelsübliche Kabel mit ausreichender Kapazität. Andernfalls besteht die Gefahr von Kurzschlüssen, Überhitzung oder eines Brandes.
- Achten Sie bei der Installation der Netzleitungen darauf, dass keine Zugspannung für die Kabel entsteht. Wenn sich die Anschlüsse lösen, besteht die Gefahr, dass die Kabel aus den Klemmen rutschen oder brechen; dies kann Überhitzung oder einen Brand verursachen.

- Die Anlage muss geerdet werden. Schließen Sie die Erdungsleitung nicht an Gas- oder Wasserleitungen, Blitzableitern oder Telefonerdungsleitungen an. Wenn die Anlage nicht ordnungsgemäß geerdet ist, besteht die Gefahr von Stromschlägen.
- Verwenden Sie Leistungsschalter (Erdschlussunterbrecher, Trennschalter (+B-Sicherung) und gussgekapselte Leistungsschalter) mit der angegebenen Kapazität. Wenn die Leistungsschalterkapazität größer ist als vorgeschrieben, kann dies einen Ausfall der Klimaanlage oder einen Brand zur Folge haben.

1.4. Einsatz von Außenanlagen mit dem Kältemittel R410A

⚠ Vorsicht:

- Verwenden Sie zur Verbindung der Kältemittelrohrleitungen für nahtlose Rohre aus Kupfer und Kupferlegierungen Kupfer-Phosphor C1220. Vergewissern Sie sich, dass die Rohre von innen sauber sind und keine schädlichen Verunreinigungen wie Schwefelverbindungen, Oxidationsmittel, Fremdkörper oder Staub enthalten. Verwenden Sie Rohre mit der vorgeschriebenen Stärke. (Siehe 4.1.) Beachten Sie die folgenden Hinweise, wenn Sie vorhandene Rohre wiederverwenden, mit denen das Kältemittel R22 transportiert wurde.
 - Ersetzen Sie die vorhandenen Konusmuttern, und weiten Sie die zur Aufweitung bestimmten Bereiche erneut auf.
 - Verwenden Sie keine dünnen Rohre. (Siehe 4.1.)
- Lagern Sie die für die Installation benötigten Rohre in einem geschlossenen Raum, und lassen Sie beide Enden der Rohre bis unmittelbar vor dem Hartlöten abgedichtet. (Belassen Sie Winkelstücke usw. in ihren Verpackungen.) Wenn Staub, Fremdkörper oder Feuchtigkeit in die Kältemittelleitungen eindringen, besteht die Gefahr, dass sich das Öl zersetzt oder der Kompressor ausfällt.
- Tragen Sie eine kleine Menge Esteröl/Etheröl oder Alkylbenzol als Kältemittelöl auf die Konusanschlüsse auf. Wenn das Kältemittelöl mit Mineralöl gemischt wird, besteht die Gefahr, dass sich das Öl zersetzt.

- Verwenden Sie kein anderes Kältemittel als das Kältemittel R410A. Wenn ein anderes Kältemittel verwendet wird, führt das Chlor dazu, dass sich das Öl zersetzt.
- Verwenden Sie die folgenden Werkzeuge, die speziell für die Verwendung mit Kältemittel R410A ausgelegt sind. Die folgenden Werkzeuge sind für die Verwendung des Kältemittels R410A erforderlich. Wenden Sie sich bei weiteren Fragen an Ihren Fachhändler.

Werkzeuge (für R410A)	
Kaliber des Rohrverteilers	Aufweitungswerkzeug
Füllschlauch	Lehre für die Größenanpassung
Gasleckdetektor	Netzteil der Vakuumpumpe
Drehmomentschlüssel	Elektronische Kältemittelfüllstandsanzeige

- Verwenden Sie unbedingt die richtigen Werkzeuge. Wenn Staub, Fremdkörper oder Feuchtigkeit in die Kältemittelleitungen eindringen, besteht die Gefahr, dass sich das Kältemittelöl zersetzt.
- Verwenden Sie keinen Füllzylinder. Bei Verwendung eines Füllzylinders wird die Zusammensetzung des Kältemittels geändert und damit der Wirkungsgrad verringert.

2. Aufstellort

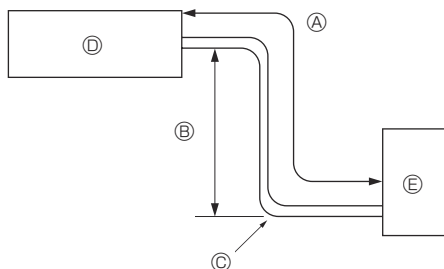


Fig. 2-1

2.1. Rohrleitung für Kältemittel (Fig. 2-1)

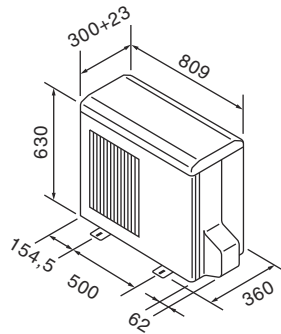
- ▶ Vergewissern, dass der Höhenunterschied zwischen Innen- und Außenanlage, die Länge der Kältemittelrohrleitung und die Anzahl der Krümmern in der Rohrleitung innerhalb der Grenzwerte der nachstehenden Tabelle liegen.

Modell	Ⓐ Länge Rohrleitung (eine Richtung)	Ⓑ Höhenunterschied	Ⓒ Zahl der Krümmern (eine Richtung)
SW50	2 m - 40 m	Max. 30 m	Max. 15
SW75	2 m - 40 m	Max. 30 m	Max. 15
SW100, 120	2 m - 75 m	Max. 30 m	Max. 15

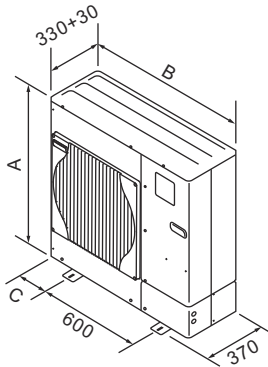
- Die Begrenzung der Höhenunterschiede gilt unabhängig davon, ob sich das Innen- oder das Außengerät in der höheren Position befindet.
 - Ⓓ Innenanlage
 - Ⓔ Außenanlage

2. Aufstellort

■ SW50



■ SW75, 100, 120



Modell	A (mm)	B (mm)	C (mm)
SW75	943	950	175
SW100	1350	950	175
SW120	1350	950	175

Fig. 2-2

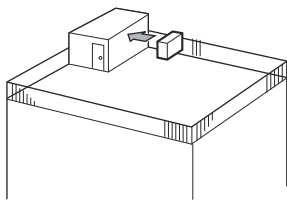


Fig. 2-3

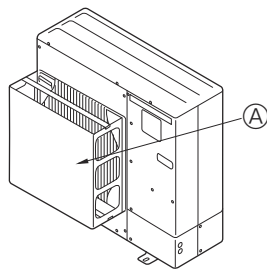


Fig. 2-4

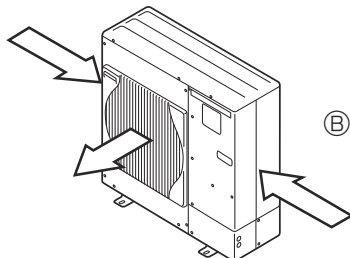


Fig. 2-5

(mm)

2.2. Auswahl des Aufstellungsorts für die Außenanlage

- Vermeiden Sie Aufstellungsorte, die direkter Sonneneinstrahlung oder anderen Hitzequellen ausgesetzt sind.
- Wählen Sie den Aufstellungsort so, dass von der Anlage ausgehende Geräusche die Nachbarschaft nicht stören.
- Wählen Sie den Aufstellungsort so, dass der Netzanschluss und die Verlegung der Rohre zur Innenanlage einfach zu bewerkstelligen sind.
- Vermeiden Sie Aufstellungsorte, an denen entzündliche Gase austreten, hergestellt werden, ausströmen oder sich ansammeln.
- Beachten Sie, dass bei Betrieb der Anlage Wasser heruntertropfen kann.
- Wählen Sie einen waagerechten Aufstellungsort, der dem Gewicht und den Schwingungen der Anlage gewachsen ist.
- Vermeiden Sie Aufstellungsorte, an denen die Anlage mit Schnee bedeckt werden kann. In Gegenden, in denen mit schwerem Schnellfall zu rechnen ist, müssen spezielle Vorkehrungen getroffen werden, wie die Wahl eines höheren Aufstellungsorts oder die Montage einer Abdeckhaube vor der Öffnung für die Luftansaugung, um zu vermeiden, dass Schnee die Luftansaugung blockiert oder direkt hineingeblasen wird. Dadurch kann der Luftstrom vermindert und so Fehlfunktionen verursacht werden.
- Vermeiden Sie Aufstellungsorte, die Öl, Dampf oder Schwefelgas ausgesetzt sind.
- Benutzen Sie zum Transport der Außenanlage die vier Tragegriffe. Wenn die Anlage an der Unterseite getragen wird, besteht die Gefahr, dass Hände oder Finger gequetscht werden.

2.3. Außenmaße (Außenanlage) (Fig. 2-2)

2.4. Freiraum für Belüftung und Bedienung

2.4.1. Aufstellung an windanfälligen Aufstellungsorten

Bei Anbringung der Außenanlage auf dem Dach oder einem anderen, nicht vor Wind geschützten Ort, richten Sie die Luftaustrittsöffnung so aus, dass sie nicht unmittelbar starkem Wind ausgesetzt ist. Wenn starker Wind direkt in die Luftaustrittsöffnung bläst, kann dadurch der normale Luftstrom beeinträchtigt werden und so Fehlfunktionen entstehen. Im Folgenden zeigen drei Beispiele Vorkehrungen gegen starken Windeinfluss.

- ① Richten Sie die Luftaustrittsöffnung mit einem Abstand von etwa 50 cm auf die nächstgelegene Wand aus. (Fig. 2-3)
- ② Installieren Sie eine als Sonderzubehör erhältliche Luftauslassführung, wenn die Anlage an einem Aufstellort installiert ist, an dem die Gefahr besteht, dass starker Wind direkt in die Luftaustrittsöffnung bläst. (Fig. 2-4)
 - Ⓐ Luftauslassführung
- ③ Bringen Sie die Anlage so an, dass die Abluft aus der Luftaustrittsöffnung im rechten Winkel zu derjenigen Richtung geführt wird, aus der saisonal bedingt starker Wind bläst. (Fig. 2-5)
 - Ⓑ Windrichtung

2.4.2. Installation einer einzelnen Außenanlage (Siehe letzte Seite)

Die folgenden Mindestabmessungen gelten, außer für Max., was für Maximalabmessungen steht, wie angezeigt.

Die Zahlen in Klammern beziehen sich auf die Modelle SW100, 120.

In jedem Einzelfall die jeweiligen Zahlenangaben beachten.

- ① Hindernisse nur auf der Rückseite (Fig. 2-6)
- ② Hindernisse nur auf der Rück- und Oberseite (Fig. 2-7)
 - Setzen Sie keine als Sonderzubehör erhältlichen Luftauslassführungen dazu ein, den Luftstrom nach oben umzuleiten.
- ③ Hindernisse nur auf der Rückseite und auf beiden Seiten (Fig. 2-8)
 - * 350 für SW50
- ④ Hindernisse nur auf der Vorderseite (Fig. 2-9)
 - * Bei Verwendung einer als Sonderzubehör erhältlichen Luftauslassführung muss der Freiraum für die Modelle SW100, 120 mindestens 500 mm betragen.
- ⑤ Hindernisse nur auf der Vorder- und Rückseite (Fig. 2-10)
 - * Bei Verwendung einer als Sonderzubehör erhältlichen Luftauslassführung muss der Freiraum für die Modelle SW100, 120 mindestens 500 mm betragen.
- ⑥ Hindernisse nur auf der Rückseite, beiden Seiten und der Oberseite (Fig. 2-11)
 - * 350 für SW50
 - Setzen Sie keine als Sonderzubehör erhältlichen Luftauslassführungen dazu ein, den Luftstrom nach oben umzuleiten.

2.4.3. Installation mehrerer Außenanlagen (Siehe letzte Seite)

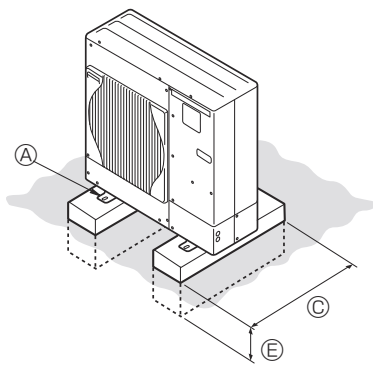
Für SW50 mindestens 350 mm und SW75-120 mindestens 10 mm Freiraum zwischen den Geräten lassen.

Die Zahlen in Klammern beziehen sich auf die Modelle SW100, 120.

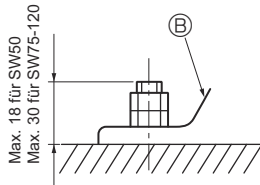
In jedem Einzelfall die jeweiligen Zahlenangaben beachten.

- ① Hindernisse nur auf der Rückseite (Fig. 2-12)
- ② Hindernisse nur auf der Rück- und Oberseite (Fig. 2-13)
 - Es dürfen nicht mehr als drei Anlagen nebeneinander installiert werden. Lassen Sie zusätzlich einen Freiraum wie dargestellt.
 - Setzen Sie keine als Sonderzubehör erhältlichen Luftauslassführungen dazu ein, den Luftstrom nach oben umzuleiten.
- ③ Hindernisse nur auf der Vorderseite (Fig. 2-14)
 - * Bei Verwendung einer als Sonderzubehör erhältlichen Luftauslassführung muss der Freiraum für die Modelle SW100, 120 mindestens 1000 mm betragen.
- ④ Hindernisse nur auf der Vorder- und Rückseite (Fig. 2-15)
 - * Bei Verwendung einer als Sonderzubehör erhältlichen Luftauslassführung muss der Freiraum für die Modelle SW100, 120 mindestens 1000 mm betragen.
- ⑤ Einzelanlagen in paralleler Anordnung (Fig. 2-16)
 - * Bei Verwendung einer als Sonderzubehör erhältlichen Luftauslassführung zur Umleitung des Luftstroms nach oben muss der Freiraum mindestens 500 (1000) mm betragen.
- ⑥ Mehrfachanlagen in paralleler Anordnung (Fig. 2-17)
 - * Bei Verwendung einer als Sonderzubehör erhältlichen Luftauslassführung zur Umleitung des Luftstroms nach oben muss der Freiraum mindestens 1000 (1500) mm betragen.
- ⑦ Anlagen in gestapelter Anordnung (Fig. 2-18)
 - Es können maximal zwei Anlagen übereinander gestapelt werden.
 - Es dürfen nicht mehr als zwei Anlagenstapel nebeneinander installiert werden. Lassen Sie zusätzlich einen Freiraum wie dargestellt.

3. Einbau der Außenanlage



(mm)



- Ⓐ M10 (3/8") Schraube
- Ⓑ Bodenplatte
- Ⓒ So lang wie möglich.
- Ⓓ Entlüftungsöffnung
- Ⓔ Tief in den Grund einsetzen

- Die Anlage immer auf fester, ebener Oberfläche aufstellen, um Rattergeräusche beim Betrieb zu vermeiden. (Fig. 3-1)

<Spezifikationen des Fundaments>

Fundamentschraube	M10 (3/8")
Betondicke	120 mm
Schraubenlänge	70 mm
Tragfähigkeit	320 kg

- Vergewissern, dass die Länge der Fundamentankerschraube innerhalb von 30 mm von der Unterseite der Bodenplatte liegt.
- Die Bodenplatte der Anlage mit 4 M10 Fundamentankerbolzen an tragfähigen Stellen sichern.

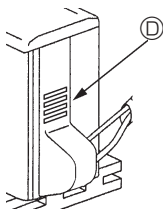
Installation der Außenanlage

- Die Entlüftungsöffnung darf nicht blockiert werden. Wenn die Entlüftungsöffnung blockiert ist, wird der Betrieb behindert, und es besteht die Gefahr des Ausfalls der Anlage.
- Verwenden Sie bei der Installation der Anlage zusätzlich zur Anlagenbodenplatte bei Bedarf die Installationsöffnungen auf der Rückseite der Anlage zum Befestigen von Elektroleitungen usw. Verwenden Sie zum Installieren vor Ort Blechschrauben (ø 5 × 15 mm oder weniger).

⚠ Warnung:

- Die Anlage muss sicher an einem Bauteil installiert werden, das das Gewicht der Anlage tragen kann. Wenn die Anlage an einem zu schwachen Bauteil befestigt wird, besteht die Gefahr, dass sie herabfällt und Sachschäden oder Verletzungen verursacht.
- Die Anlage muss entsprechend der Anweisungen installiert werden, um das Schadensrisiko bei Erdbeben, Taifunen oder starken Winden zu minimieren. Ein falsch installiertes Gerät kann herabfallen und Sachschäden oder Verletzungen verursachen.

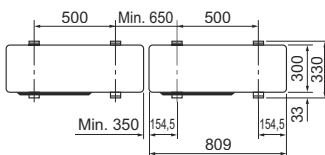
■ SW50



■ SW75-120



■ SW50



■ SW75-120

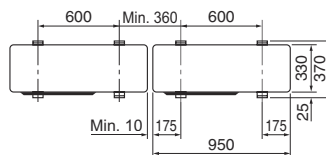


Fig. 3-1

4. Installation der Kältemittelrohrleitung

4.1. Vorsichtsmaßnahmen bei Geräten, in denen das Kältemittel R410A verwendet wird

- Nachstehend nicht aufgeführte Vorsichtsmaßnahmen für die Verwendung von Außenanlagen mit dem Kältemittel R410A finden Siehe 1.4.
- Tragen Sie eine kleine Menge Esteröl/Etheröl oder Alkylbenzol als Kältemittelöl auf die Konusanschlüsse auf.
- Verwenden Sie zur Verbindung der Kältemittelrohrleitungen für nahtlose Rohre aus Kupfer und Kupferlegierungen Kupfer-Phosphor C1220. Verwenden Sie Kältemittelrohre mit Stärken wie in der folgenden Tabelle angegeben. Vergewissern Sie sich, dass die Rohre von innen sauber sind und keine schädlichen Verunreinigungen wie Schwefelverbindungen, Oxidationsmittel, Fremdkörper oder Staub enthalten. Verwenden Sie zum Hartlöten der Rohrleitungen ausschließlich nichtoxidierendes Hartlot, anderenfalls wird der Kompressor beschädigt.

⚠ Warnung:

Beim Installieren oder Umsetzen oder Warten der Außenanlage darf nur das angegebene Kältemittel (R410A) zur Befüllung der Kältemittelleitungen verwendet werden. Vermischen Sie es nicht mit anderem Kältemittel und lassen Sie nicht zu, dass Luft in den Leitungen zurückbleibt.

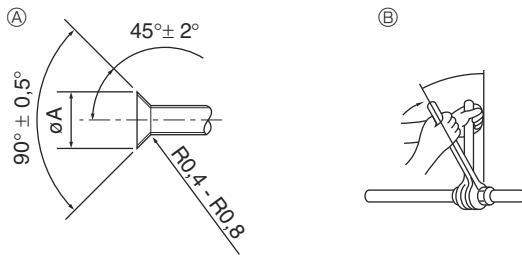
Wenn sich Luft mit dem Kältemittel vermischt, kann dies zu einem ungewöhnlich hohen Druck in der Kältemittelleitung führen und eine Explosion oder andere Gefahren verursachen.

Die Verwendung eines anderen als des für das System angegebenen Kältemittels führt zu mechanischem Versagen, einer Fehlfunktion des Systems oder einer Beschädigung des Geräts. Im schlimmsten Fall kann sie ein schwerwiegendes Hindernis für die Aufrechterhaltung der Produktsicherheit darstellen.

Rohrgröße (mm)	ø6,35	ø9,52	ø12,7	ø15,88	ø19,05	ø22,2	ø25,4	ø28,58
Stärke (mm)	0,8	0,8	0,8	1,0	1,0	1,0	1,0	1,0

- Verwenden Sie keine dünneren Rohre als oben angegeben.
- Verwenden Sie 1/2 H- oder H-Rohre, wenn der Durchmesser 22,2 mm oder mehr beträgt.

4. Installation der Kältemittelrohrleitung



Ⓐ Abmessungen der Aufweitungsschnitte
Ⓑ Anzugsdrehmoment für die Konusmutter

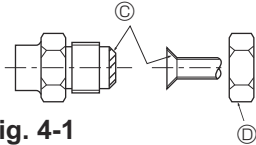


Fig. 4-1

Ⓐ (Fig. 4-1)

Kupferrohr Außendurchmesser (mm)	Aufweitungsabmessungen ϕA Abmessungen (mm)
$\phi 6,35$	8,7 - 9,1
$\phi 9,52$	12,8 - 13,2
$\phi 12,7$	16,2 - 16,6
$\phi 15,88$	19,3 - 19,7
$\phi 19,05$	23,6 - 24,0

Ⓑ (Fig. 4-1)

Kupferrohr Außendurchmesser (mm)	Konusmutter Außendurchmesser (mm)	Anzugsdrehmoment (N·m)
$\phi 6,35$	17	14 - 18
$\phi 6,35$	22	34 - 42
$\phi 9,52$	22	34 - 42
$\phi 12,7$	26	49 - 61
$\phi 12,7$	29	68 - 82
$\phi 15,88$	29	68 - 82
$\phi 15,88$	36	100 - 120
$\phi 19,05$	36	100 - 120

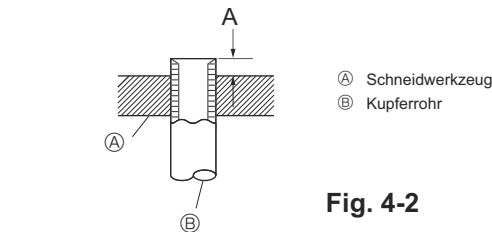


Fig. 4-2

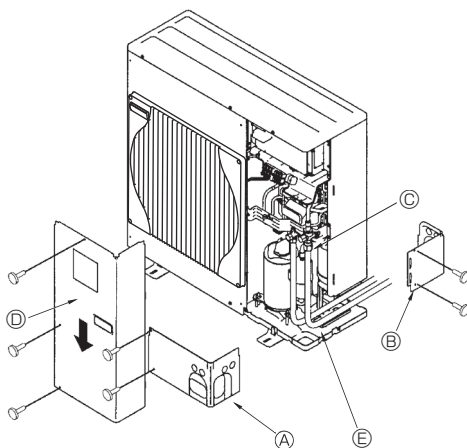


Fig. 4-3

Ⓐ Vordere Leitungsabdeckung
Ⓑ Leitungsabdeckung
Ⓒ Absperrventil
Ⓓ Wartungspult
Ⓔ Radius der Biegung : 100 mm - 150 mm

4.2. Rohranschlüsse (Fig. 4-1)

- Wenn im Handel erhältliche Kupferrohre verwendet werden, Flüssigkeits- und Gasrohre mit im Handel erhältlichem Isoliermaterial (Hitzebeständig bis 100°C und mehr, Stärke 12 mm oder mehr) umwickeln. Direkter Kontakt mit der blanken Rohrführung kann zu Verbrennungen oder Erfrierung führen.
- Die in der Anlage befindlichen Teile der Ablassrohre sollten mit Isoliermaterial aus Schaumstoff (spezifisches Gewicht 0,03, Dicke 9 mm oder stärker) umwickelt werden.
- Vor dem Anziehen der Konusmutter eine dünne Schicht Kältemittel-Öl auf das Rohr und auf die Oberfläche des Sitzes an der Nahtstelle auftragen. Ⓐ
- Mit zwei Schraubenschlüsseln die Rohrleitungsanschlüsse fest anziehen. Ⓑ
- Nach Vornahme der Anschlüsse diese mit einem Leckdetektor oder Seifenlauge auf Gasaustritt untersuchen.
- Tragen Sie Kältemaschinenöl auf die gesamte Konusauflegefläche auf. Ⓒ
- Die Konusmutter für die nachstehende Rohrgröße verwenden. Ⓓ

		SW50	SW75	SW100, 120
Gasseite	Rohrgröße (mm)	$\phi 12,7$	$\phi 15,88$	$\phi 15,88$
Flüssigkeitsseite	Rohrgröße (mm)	$\phi 6,35$	$\phi 9,52$	$\phi 9,52$

- Achten Sie beim Biegen der Rohre sorgfältig darauf, sie nicht zu zerbrechen. Biegungsradien von 100 mm bis 150 mm sind ausreichend.
- Achten Sie darauf, dass die Rohre keinen Kontakt mit dem Kompressor haben. Andernfalls könnten unnormale Geräusche oder Schwingungen auftreten.
- ① Die Rohre müssen ausgehend von der Innenanlage miteinander verbunden werden. Die Konusmutter müssen mit einem Drehmomentschlüssel festgezogen werden.
- ② Weiten Sie die Flüssigkeits- und Gasrohre auf, und tragen Sie etwas Kältemittelöl auf (Vor Ort aufzutragen).
- Wenn normale Rohrleitungen verwendet werden, beachten Sie Tabelle 1 zum Aufweiten von Rohren für Kältemittel R410A. Die Abmessungen A können mit einem Messgerät zur Größenanpassung überprüft werden.

Tabelle 1 (Fig. 4-2)

Kupferrohr Außendurchmesser (mm)	A (mm)	
	Aufweitungswerkzeug für R410A Kupplungsbauweise	
$\phi 6,35$ (1/4")	0 - 0,5	
$\phi 9,52$ (3/8")	0 - 0,5	
$\phi 12,7$ (1/2")	0 - 0,5	
$\phi 15,88$ (5/8")	0 - 0,5	
$\phi 19,05$ (3/4")	0 - 0,5	

⚠ Warnung:

Schließen Sie die Kältemittelleitungen beim Installieren des Geräts fest an, bevor Sie den Kompressor einschalten.

4.3. Kältemittelrohrleitung (Fig. 4-3)

- Für SW50
Die Bedienungsplatte Ⓒ (1 Schraube) abnehmen.
- Für SW75-120
Das Wartungspult Ⓓ (3 Schrauben) und die vordere Leitungsabdeckung Ⓐ (2 Schrauben) sowie die rückwärtige Leitungsabdeckung Ⓑ (2 Schrauben: SW75) (4 Schrauben: SW100, 120) abnehmen.
- ① Die Verbindungen der Kältemittelrohrleitungen für die Innen-/Außenanlage ausführen, wenn das Absperrventil der Außenanlage vollständig geschlossen ist.
- ② Luftreinigung unter Vakuum vom Innenaggregat und dem Rohrleitungsanschluss aus.
- ③ Kontrollieren Sie nach dem Anschließen der Kältemittelrohrleitungen die angeschlossenen Rohre und die Innenanlage auf Gasaustritt. (Siehe 4.4. Verfahren zum Prüfen der Rohre auf Dichtigkeit.)
- ④ Eine Hochleistungs-Vakuumpumpe wird an der Wartungseinheit des Sperrventils verwendet, um ein Vakuum für eine geeignete Zeit (mindestens eine Stunde zu erzeugen, nachdem -101 kPa (5 Torr)) erreicht sind, um das Rohrinnere vakuumzutrocknen. Prüfen Sie immer die Stärke des Vakuums am Kaliber des Rohrverteilers. Wenn Feuchtigkeit im Rohr verbleibt, wird die erforderliche Stärke des Vakuums bei kurzer Vakuumanwendung manchmal nicht erreicht. Nach der Vakuumtrocknung öffnen Sie die Sperrventile vollständig (sowohl für Kältemittel als auch für Gas) für das Außengerät. Auf diese Weise werden die Kältemittelleitungen von Innen- und Außengeräten vollständig miteinander verbunden.
- Wenn das Vakuumtrocknen nicht adäquat durchgeführt wird, verbleiben Luft und Wasserdampf in den Kühlkreisläufen und können einen anomalen Anstieg des Überdrucks, einen anomalen Abfall des Unterdrucks, Zersetzung des Kältemaschinenöls aufgrund von Feuchtigkeit usw. verursachen.
- Wenn die Sperrventile geschlossen bleiben und die Anlage betrieben wird, werden Kompressor und Sperrventile beschädigt.
- Suchen Sie nach Vornahme der Anschlüsse mit einem Gasaustrittsprüfgerät oder Seifenlauge nach Gasaustritt an den Rohrverbindungsstellen der Außenanlage.
- Verdrängen Sie die Luft aus den Kältemittelleitungen nicht mit dem Kältemittel aus der Anlage.
- Ziehen Sie nach Beendigung des Ventilbetriebs die Ventilkappen mit dem vorgeschriebenen Drehmoment an: 20 bis 25 N·m (200 bis 250 kgf·cm). Wird es versäumt, die Kappen wieder aufzusetzen und anzuziehen, tritt möglicherweise Kältemittel aus. Achten Sie auch darauf, die Innenseiten der Ventilkappen nicht zu beschädigen, da sie als Dichtung zur Verhinderung von Kältemittelaustritt dienen.
- ⑤ Dichten Sie die Seiten der Wärmeisolierung um die Leitungsanschlüsse herum mit einem Dichtungsmittel ab, um zu verhindern, dass Wasser in die Wärmeisolierung eindringt.

4. Installation der Kältemittelrohrleitung

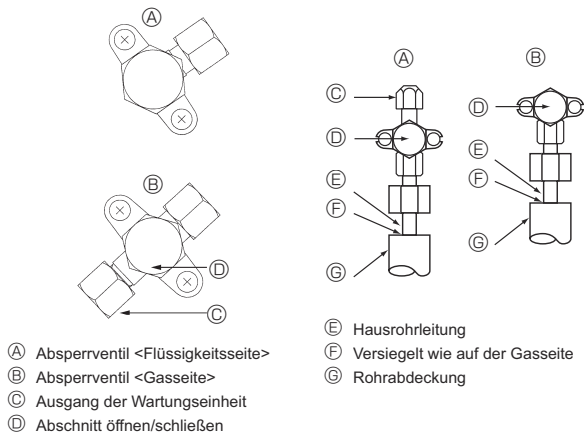


Fig. 4-4

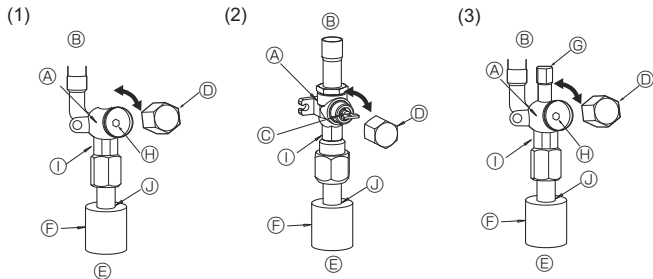


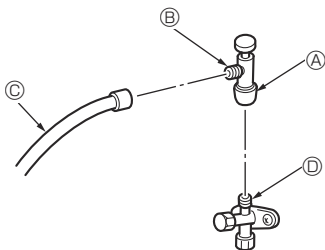
Fig. 4-5

Fig. 4-6

Fig. 4-7

- A Ventil
- B Anlagenseite
- C Handgriff
- D Kappe
- E Hausrohrleitungsseite
- F Rohrabdeckung
- G Ausgang der Wartungseinheit
- H Schraubenschlüsselöffnung

- I Maulschlüsselbereich
(Setzen Sie Maulschlüssel nur in diesem Bereich an. Andernfalls können Kühlmittellecks entstehen.)
- J Abdichtungsbereich
(Dichten Sie das Ende des Rohrisolierungsmaterials im Rohrschlussbereich mit einem geeigneten Material Ihrer Wahl ab, so dass kein Wasser in das Isolierungsmaterial eindringen kann.)



- * Die Abbildung links ist nur ein Beispiel. Die Form des Absperrventils, die Position des Ausgangs der Wartungseinheit etc. können modellabhängig abweichen.
- * Nur Bereich (A) drehen.
(Die Bereiche (A) und (B) nicht weitere gegeneinander anziehen.)

- C Füllschlauch
- D Ausgang der Wartungseinheit

Fig. 4-8

4.4. Verfahren zum Prüfen der Rohre auf Dichtigkeit (Fig. 4-4)

- (1) Schließen Sie die Prüfwerkzeuge an.
 - Vergewissern Sie sich, dass die Sperrventile (A) (B) geschlossen sind und öffnen Sie sie nicht.
 - Bauen Sie über die Wartungseinheit (C) des Flüssigkeitssperrventils (A) Druck in den Kältemittelleitungen auf.
- (2) Bauen Sie den Druck nicht sofort auf den angegebenen Wert auf, sondern erhöhen Sie ihn nach und nach.
 - ① Bauen Sie einen Druck von 0,5 MPa (5 kgf/cm²G) auf, warten Sie fünf Minuten, und vergewissern Sie sich dann, dass der Druck nicht abfällt.
 - ② Bauen Sie einen Druck von 1,5 MPa (15 kgf/cm²G) auf, warten Sie fünf Minuten, und vergewissern Sie sich dann, dass der Druck nicht abfällt.
 - ③ Bauen Sie einen Druck von 4,15 MPa (41,5 kgf/cm²G) auf und messen Sie Umgebungstemperatur und Kältemitteldruck.
- (3) Wenn der angegebene Druck einen Tag lang gehalten wird und nicht abfällt, haben die Rohre den Test bestanden, und es entweicht keine Luft.
 - Wenn sich die Umgebungstemperatur um 1°C ändert, ändert sich dabei der Druck um etwa 0,01 MPa (0,1 kgf/cm²G). Nehmen Sie die erforderlichen Korrekturen vor.
- (4) Wenn der Druck in den Schritten (2) oder (3) abfällt, entweicht Gas. Suchen Sie nach der Gasaustrittsstelle.

4.5. Verfahren zum Öffnen des Absperrventils

Die Öffnungsmethode des Sperrventils variiert je nach Typ des Außengerätes. Verwenden Sie die jeweilige Methode zum Öffnen der Sperrventile.

- (1) Gasseite von SW75 (Fig. 4-5)
 - ① Entfernen Sie die Kappe und drehen Sie die Ventilstange mit einem 5 mm-Sechskantschlüssel bis zum Anschlag gegen den Uhrzeigersinn. Hören Sie auf zu drehen, wenn der Anschlag erreicht ist.
(ø 15,88: Etwa 13 Umdrehungen)
 - ② Sicherstellen, daß das Absperrventil vollständig offen ist, und die Kappe zurück in Ausgangsstellung drehen.
- (2) Gasseite von SW100, 120 (Fig. 4-6)
 - ① Entfernen Sie die Kappe, ziehen Sie den Griff zu sich und drehen ihn zum Öffnen 1/4 Drehung nach links.
 - ② Prüfen Sie, ob das Absperrventil vollständig geöffnet ist, drücken Sie den Griff zurück und setzen Sie dann die Kappe wieder auf und schrauben sie fest.
- (3) Flüssigkeitsseite von SW75-120 und Gas-/Flüssigkeitsseite von SW50-75 (Fig. 4-7)
 - ① Entfernen Sie die Kappe und drehen Sie die Ventilstange mit einem 4 mm-Sechskantschlüssel bis zum Anschlag gegen den Uhrzeigersinn. Hören Sie auf zu drehen, wenn der Anschlag erreicht ist.
(ø 9,52: Etwa 10 Umdrehungen)
 - ② Prüfen Sie, ob das Absperrventil vollständig geöffnet ist, drücken Sie den Griff zurück und setzen Sie dann die Kappe wieder auf und schrauben sie fest.

Bei SW75-120 sind die Kältemittelrohre zum Schutz umwickelt.

- Die Rohre können vor oder nach dem Anschließen bis zu einem Durchmesser von ø90 mit einer Schutzumwicklung versehen werden. Schneiden Sie das Loch zum Ausbrechen in der Rohrabdeckung entlang der Einkerbung aus, und umwickeln Sie die Rohre. Rohreingangsöffnung für SW75-120

- Dichten Sie den Rohreinlass um die Rohre herum mit Dichtmasse oder Spachtel, so dass keine Zwischenräume mehr vorhanden sind.

(Wenn die Zwischenräume nicht abgedichtet sind, ist kein ausreichender Lärmschutz gegeben oder Wasser und Schmutz dringen in die Anlage ein und können ihren Ausfall verursachen.)

Vorsichtsmaßnahmen bei Verwendung des Füllventils (Fig. 4-8)

Den Ausgang der Wartungseinheit bei der Installation nicht zu fest anziehen, da sich andernfalls der Ventileinsatz verformen und lösen kann, so dass Gas entweichen kann.

Wenn Bereich (B) in die gewünschte Position gebracht ist, nur den Bereich (A) drehen und festziehen.

Die Bereiche (A) und (B) nicht weitere gegeneinander anziehen, wenn Bereich (A) festgezogen ist.

4.6. Zugabe von Kältemittel

- Eine zusätzliche Füllung ist bei dieser Anlage nicht erforderlich, wenn die Rohrlänge 10 m nicht überschreitet.
- Wenn die Länge der Rohrleitung 10 m überschreitet, zusätzliches Kältemittel R410A gemäß zulässiger Rohrlängenangabe in der Tabelle unten in die Anlage einfüllen.
 - * Füllen Sie bei ausgeschalteter Anlage diese durch das Flüssigkeitssperrventil mit weiterem Kältemittel, nachdem in den Rohrverlängerungen und der Innenanlage ein Vakuum erzeugt wurde.
 - Wenn die Anlage läuft, füllen Sie über das Absperrventil mittels eines Sicherheitsfüllers Kältemittel nach. Kältemittel darf nicht direkt in das Absperrventil eingefüllt werden.
 - * Vermerken Sie nach dem Füllen der Anlage mit Kältemittel die hinzugefügte Kältemittelmenge auf dem (an der Anlage angebrachten) Wartungsaufkleber.
 - Weitere Informationen finden Sie im Abschnitt "1.4. Einsatz von Außenanlagen mit dem Kältemittel R410A".

- Gehen Sie bei der Installation von mehreren Anlagen sorgfältig vor. Ein Anschluss an die falsche Innenanlage kann zu abnorm hohem Druck führen und die Leistung der Anlage stark beeinträchtigen.

Modell	Zulässige Rohrlänge	Zulässige vertikale Differenz	Zusätzliche Kältemittelfüllmenge					
			11 - 20 m	21 - 30 m	31 - 40 m	41 - 50 m	51 - 60 m	61 - 75 m
SW50	2 m - 40 m	-30 m	0,2 kg	0,4 kg	0,6 kg	—	—	—
SW75	2 m - 40 m	-30 m	0,15 kg	0,3 kg	0,6 kg	—	—	—
SW100, 120	2 m - 75 m	-30 m	0,2 kg	0,4 kg	1,0 kg	1,6 kg	2,2 kg	2,8 kg

5. Verrohrung der Dränage

Dränagerohranschluss der Außenanlage

Wenn eine Abflussrohrleitung erforderlich ist, den Abflusstopfen oder die Ablaufpfanne (Zubehör) verwenden.

	SW50	SW75	SW100, 120
Abflusstopfen	PAC-SJ08DS-E	PAC-SG61DS-E	
Ablaufpfanne	PAC-SG63DP-E	PAC-SG64DP-E	

6. Wasserrohrarbeiten

Minimale Wassermenge

Die folgende Wassermenge ist für den Wasserkreislauf erforderlich.

Modell	Minimale Wassermenge (L)
SW50	22
SW75	32
SW100	43
SW120	54

Ergreifen Sie unbedingt Gefrierschutzmaßnahmen wie etwa die Anwendung einer Gefrierschutzlösung, wenn Sie das Gerät bei niedrigen Umgebungstemperaturen (unter 0 °C) im Kühlbetrieb verwenden.

7. Elektroarbeiten

7.1. Außenanlage (Fig. 7-1, Fig. 7-2)

- ① Die Bedienungsplatte abnehmen.
- ② Die Kabel gemäß der Fig. 7-1 und der Fig. 7-2 verdrahten.

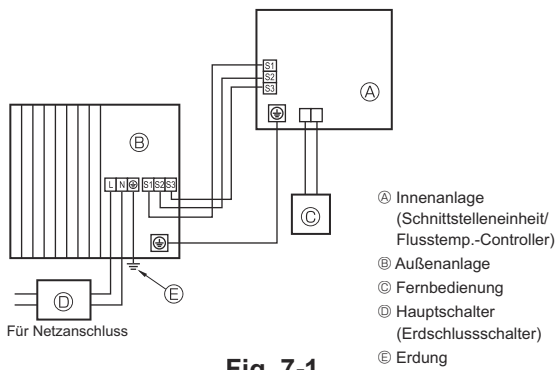
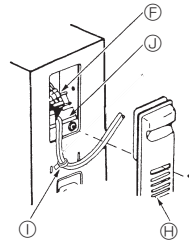
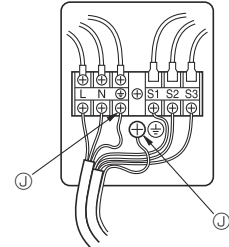


Fig. 7-1

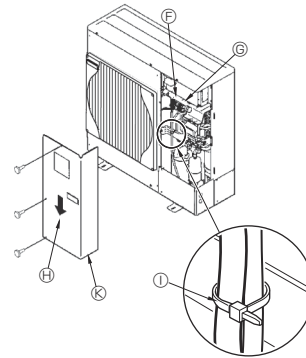
■ SW50



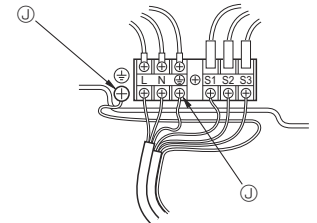
■ SW50



■ SW75-120



■ SW75-120V



■ SW100, 120V

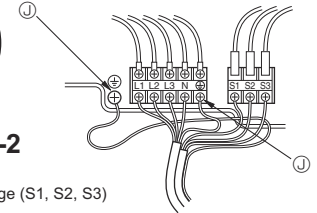


Fig. 7-2

- ⓕ Klemmleiste
- ⓐ Anschlussklemmblock Innen-/Außenanlage (S1, S2, S3)
- ⓑ Wartungspult
- ⓓ Klemme

* Die Kabel so verdrahten, dass sie weder die Mitte der Bedienungsplatte noch die Gasarmatur berühren.

ⓔ Erdungsklemme

ⓕ Verlegen Sie die Kabel so, dass sie die Mitte des Wartungspults nicht berühren.

Hinweis:

Wenn das Schutzblech am Schaltkasten zur Bedienung und Wartung entfernt wurde, dafür sorgen, dass es wieder angebracht wird.

⚠ Vorsicht:

Einbau der N-Leitung sicherstellen. Ohne N-Leitung können Schäden an der Anlage auftreten.

7. Elektroarbeiten

7.2. Elektrische Feldverdrahtung

Außenanlage Modell	SW50V	SW75V	SW100V	SW120V	SW100, 120Y	
Außenanlage Stromversorgung	~N (Eine), 50 Hz, 230 V	~N (Eine), 50 Hz, 230 V	~N (Eine), 50 Hz, 230 V	~N (Eine), 50 Hz, 230 V	3N~ (3Ph 4-adrig), 50 Hz, 400 V	
Eingangsstromstärke der Außenanlage Hauptschalter (Unterbrecher) *1	16 A	25 A	32 A	40 A	16 A	
Verdrahtung Zahl der Leitungen + Querschnitt (mm²)	Außenanlage Stromversorgung	3 × Min. 1,5	3 × Min. 2,5	3 × Min. 4	3 × Min. 6	5 × Min. 1,5
	Innenanlage-Außenanlage	*2 3 × 1,5 (Polar)	3 × 1,5 (Polar)	3 × 1,5 (Polar)	3 × 1,5 (Polar)	3 × 1,5 (Polar)
	Erdungsleitung der Innen-/Außenanlage	*2 1 × Min. 1,5	1 × Min. 1,5	1 × Min. 1,5	1 × Min. 1,5	1 × Min. 1,5
	Fernbedienung-Innenanlage	*3 2 × 0,3 (Nicht polar)	2 × 0,3 (Nicht polar)	2 × 0,3 (Nicht polar)	2 × 0,3 (Nicht polar)	2 × 0,3 (Nicht polar)
Nennspannung des Stromkreises	Außenanlage L-N (Eine)	*4 230 V AC	230 V AC	230 V AC	230 V AC	230 V AC
	Außenanlage L1-N, L2-N, L3-N (3 Phasen)	*4 230 V AC	230 V AC	230 V AC	230 V AC	230 V AC
	Innenanlage-Außenanlage S1-S2	*4 24 V DC	24 V DC	24 V DC	24 V DC	24 V DC
	Innenanlage-Außenanlage S2-S3	*4 12 V DC	12 V DC	12 V DC	12 V DC	12 V DC
	Fernbedienung-Innenanlage	*4 12 V DC	12 V DC	12 V DC	12 V DC	12 V DC

*1. An jedem der einzelnen Pole einen Erdschlussunterbrecher (NV) mit einem Kontaktabstand von mindestens 3,0 mm einsetzen.

Darauf achten, dass der Stromunterbrecher mit harmonischen Oberschwingungen kompatibel ist.

Stets einen Stromunterbrecher verwenden, der mit harmonischen Oberschwingungen kompatibel ist, da dieses Gerät einen Umwandler besitzt.

Wird ein ungeeigneter Unterbrecher verwendet, kann dies zu einem mangelhaften Betrieb des Umwandlers führen.

*2. Max. 45 m

Wenn 2,5 mm² verwendet werden, max. 50 m

Wenn 2,5 mm² verwendet werden und S3 getrennt ist, max. 80 m

*3. Das Fernbedienungszubehör ist mit einer Elektroleitung von 10 m ausgestattet.

*4. Die Angaben gelten NICHT immer gegenüber der Erdleitung.

Klemme S3 hat 24 V DC Gleichstrom gegenüber Klemme S2. Zwischen den Klemmen S3 und S1 gibt es keine elektrische Isolierung durch den Transformator oder eine andere elektrische Vorrichtung.

Hinweise: 1. Die Größe der Elektroleitung muß den jeweiligen örtlichen und nationalen gesetzlichen Vorschriften entsprechen.

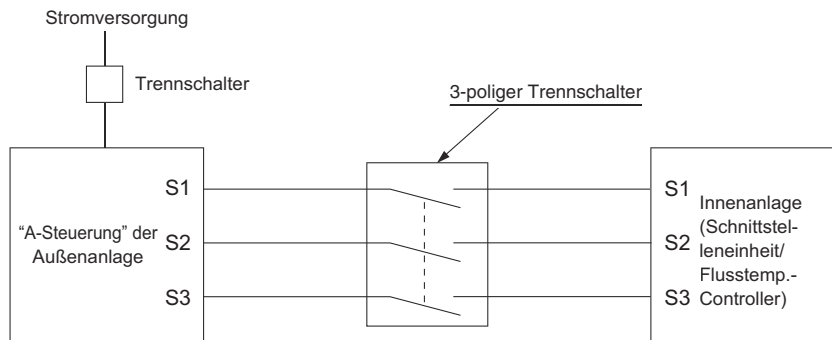
2. Betriebsstromversorgungskabel und die Kabel zwischen Steuerteil und Außenanlage sollen nicht leichter als polychloropren-beschichtete flexible Kabel sein. (Design 60245 IEC 57)

3. Verbinden Sie immer die Kabel zwischen Steuerteil und Außenanlage direkt mit den Anlagen (Zwischenverbindungen sind nicht zulässig). Zwischenverbindungen können zu Kommunikationsfehlern führen. Falls Wasser am Zwischenbindungspunkt eintritt, kann die Erdisolierung beeinträchtigt oder schlechter elektrischer Kontakt verursacht werden.

(Wenn eine Zwischenverbindung erforderlich ist, treffen Sie immer Maßnahmen, um Eintrigen von Wasser in die Kabel zu verhindern.)

4. Eine Erdleitung, die länger als andere Kabel ist, installieren.

5. Richten Sie kein System ein, dessen Spannungsversorgung häufig ein- und ausgeschaltet wird.



⚠ Warnung:

- Bei der Steuerleitung A gibt es auf Grund der Auslegung des Stromkreises, der keine Isolierung zwischen Netzleitung und Übertragungsleitung hat, an der Klemme S3 ein Hochspannungspotential. Daher bitte bei der Wartung den Netzstrom ausschalten. Auch bitte die Klemmen S1, S2, S3 nicht berühren, wenn Netzstrom anliegt. Wenn zwischen Innen- und Außengerät ein Trennschalter eingesetzt werden soll, bitte einen 3-poliger Schalter verwenden.

Spleißen Sie niemals das Netzkabel oder das Verbindungskabel zwischen Innenaggregat und Außengerät, da es andernfalls zu Rauchentwicklung, einem Brand oder einem Kommunikationsfehler kommen kann.

8. Spezielle Funktionen

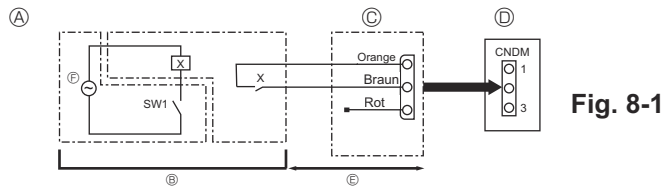


Fig. 8-1

Ⓐ Beispiel eines Schaltplans (Lärmschutzmodus) Ⓓ Schalttafel der Außenanlage
 Ⓑ Anordnung vor Ort Ⓔ Max. 10 m
 Ⓒ Externer Eingangsadapter (PAC-SC36NA-E) Ⓕ Stromversorgung für Relais
 X: Relais

8.1. Lärmschutzmodus (Veränderung vor Ort) (Fig. 8-1)

Mittels der folgenden Änderung kann das Betriebsgeräusch der Außenanlage um etwa 3 bis 4 dB reduziert werden.

Der Lärmschutzmodus wird aktiviert, wenn ein im Fachhandel erhältlicher Timer oder der Kontakteingang eines EIN/AUS-Schalters an den CNDM-Stecker (als Sonderzubehör erhältlich) auf der Schalttafel der Außenanlage zusätzlich angebracht wird.

- Die Wirksamkeit hängt von den Außentemperaturen und den Betriebsbedingungen etc. ab.
- ① Vervollständigen Sie bei Verwendung des externen Eingangsadapters (PAC-SC36NA-E) (als Sonderzubehör käuflich zu erwerben) den Stromkreis wie dargestellt.
- ② Schalttafel der Außenanlage
- ③ SW1 ON/EIN: Lärmschutzmodus
SW1 OFF/AUS: Normalbetrieb

8.2. Kältemittel sammeln (Abpumpen)

Gehen Sie zum Sammeln des Kältemittels wie im Folgenden beschrieben vor, wenn die Innen- oder die Außenanlage an einen anderen Aufstellungsort transportiert werden soll.

- ① Schalten Sie die Anlage ein (Leistungsschalter).
 - * Vergewissern Sie sich nach dem Einschalten, dass auf der Fernbedienung nicht "CENTRALLY CONTROLLED" (ZENTRAL GESTEUERT) angezeigt wird. Falls "CENTRALLY CONTROLLED" (ZENTRAL GESTEUERT) angezeigt wird, kann das Sammeln (Abpumpen) des Kältemittels nicht normal abgeschlossen werden.
 - * Die Kommunikation zwischen Innen- und Außenanlage startet etwa 3 Minuten nach Einschalten der Stromversorgung (Trennschalter). Starten Sie den Abpump-Betrieb 3 bis 4 Minuten nach Einschalten der Stromversorgung (Trennschalter).
 - * Trennen Sie bei der Steuerung mehrerer Einheiten vor dem Einschalten die Verkabelung zwischen der Haupt-Innenanlage und der Neben-Innenanlage. Ausführliche Informationen finden Sie in der Installationsanleitung für die Innenanlage.
- ② Stellen Sie nach dem Schließen des Flüssigkeitssperrentils den SWP-Schalter auf der Schalttafel der Außenanlage auf ON/EIN ein. Der Kompressor (Außenanlage) und die Ventilatoren (Innen- und Außenanlagen) beginnen zu arbeiten und der Kältemittelsammelvorgang setzt ein. LED1 und LED2 auf der Schalttafel der Außenanlage leuchten.
 - * Stellen Sie den SWP-Schalter (ein Tastschalter) nur dann auf ON/EIN, wenn die Anlage ausgeschaltet ist. Allerdings kann der Kältemittelsammelvorgang auch dann nicht durchgeführt werden, wenn die Anlage ausgeschaltet und der SWP-Schalter weniger als 3 Minuten, nachdem sich der Kompressor ausschaltet, auf ON/EIN eingestellt wird. Warten Sie, bis der Kompressor mindestens 3 Minuten lang ausgeschaltet ist, und stellen Sie dann den SWP-Schalter erneut auf ON/EIN.

- ③ Da die Anlage sich etwa 2 bis 3 Minuten nach dem Sammeln des Kältemittels automatisch ausschaltet (LED1 aus und LED2 leuchtet), stellen Sie sicher, dass das Gassperrentil unverzüglich geschlossen wird. Wenn LED1 leuchtet und LED2 aus ist und die Außenanlage ausgeschaltet ist, wird der Kältemittelsammelvorgang nicht ordnungsgemäß ausgeführt. Öffnen Sie das Flüssigkeitssperrentil vollständig, und wiederholen Sie dann nach Ablauf von 3 Minuten Schritt ②.
 - * Wenn das Sammeln des Kältemittels normal abgeschlossen wurde (LED1 aus und LED2 leuchtet), bleibt die Anlage ausgeschaltet, bis die Stromversorgung ausgeschaltet wird.
- ④ Unterbrechen Sie die Stromversorgung (Leistungsschalter).
 - * Beachten Sie, dass bei langen Verlängerungsrohren und großer Kältemittelmenge möglicherweise kein Abpumpen durchgeführt werden kann. Bei Durchführung des Abpumpbetriebs dafür sorgen, dass der Unterdruck auf etwa 0 MPa (Messwert) abgesenkt wird.

⚠ Warnung:

Schalten Sie beim Abpumpen des Kältemittels den Kompressor ab, bevor die Kältemittelleitungen getrennt werden. Der Kompressor kann zerplatzen, wenn Luft etc. eindringt.

9. Systemsteuerung

Stellen Sie die Kühlmitteladresse mit dem Dip-Schalter der Außenanlage ein.

SW1 Funktionseinstellung

SW1 Einstellung	Kühlmitteladresse	SW1 Einstellung	Kühlmitteladresse
ON OFF 3 4 5 6 7	00	ON OFF 3 4 5 6 7	03
ON OFF 3 4 5 6 7	01	ON OFF 3 4 5 6 7	04
ON OFF 3 4 5 6 7	02	ON OFF 3 4 5 6 7	05

Hinweis:

- a) Es können bis zu 6 Einheiten angeschlossen werden.
- b) Wählen Sie ein einzelnes Modell für alle Einheiten.
- c) Lesen Sie bezüglich der Dip-Schaltereinstellungen für das Innengerät im Installationshandbuch des Innengeräts nach.

10. Technische Daten

Außenmodell		PUHZ-SW50VKA	PUHZ-SW75VHA	PUHZ-SW100VHA	PUHZ-SW120VHA	PUHZ-SW100YHA	PUHZ-SW120YHA
Stromversorgung	V / Phase / Hz	230 / Einzelgerät / 50				400 / Drei / 50	
Abmessungen (H × B × T)	mm	809 × 630 × 360	950 × 943 × 330(+30)	950 × 1350 × 330(+30)			
Schallpegel *1							
SPL	Heizbetrieb	dB(A)	46	51	54	54	54
	Kühlbetrieb	dB(A)	46	48	50	51	51
	PWL	Heizbetrieb	dB(A)	63	69	70	72

*1 Gemessen unter Nennbetriebsfrequenz.

Index

1. Consignes de sécurité.....	20	6. Pose des tuyauteries d'eau.....	26
2. Emplacement pour l'installation.....	21	7. Installations électriques.....	26
3. Installation de l'appareil extérieur.....	23	8. Fonctions spéciales.....	28
4. Installation de la tuyauterie du réfrigérant.....	23	9. Commande du système.....	28
5. Mise en place du tuyau d'écoulement.....	26	10. Caractéristiques techniques.....	28

Remarque : Ce symbole est utilisé uniquement pour les pays de l'UE.

Ce symbole est conforme à la directive 2012/19/EU Article 14 Informations à l'attention des usagers et Annexe IX.

Votre produit Mitsubishi Electric est conçu et fabriqué avec des matériels et des composants de qualité supérieure qui peuvent être recyclés et réutilisés.

Ce symbole signifie que les équipements électriques et électroniques, à la fin de leur durée de service, doivent être éliminés séparément des ordures ménagères. Nous vous prions donc de confier cet équipement à votre centre local de collecte/recyclage.

Dans l'Union Européenne, il existe des systèmes sélectifs de collecte pour les produits électriques et électroniques usagés.

Aidez-nous à conserver l'environnement dans lequel nous vivons !

Les machines ou appareils électriques et électroniques contiennent souvent des matières qui, si elles sont traitées ou éliminées de manière inappropriée, peuvent s'avérer potentiellement dangereuses pour la santé humaine et pour l'environnement.

Cependant, ces matières sont nécessaires au bon fonctionnement de votre appareil ou de votre machine. Pour cette raison, il vous est demandé de ne pas vous débarrasser de votre appareil ou machine usagé avec vos ordures ménagères.



⚠ Précaution :

- Ne libérez pas le R410A dans l'atmosphère :
- Le R410A est un gaz à effet de serre fluoré, visé par le Protocole de Kyoto, appliquant un potentiel de réchauffement de la planète (GWP)=1975.
- Certification des pompes à chaleur

La marque "NF pompe à chaleur" est une certification indépendante prouvant que les performances des pompes à chaleur et la qualité de production de l'usine sont conformes au référentiel NF-414. Les combinaisons unités intérieures et unités extérieures, ainsi que leurs applications autorisées à utiliser la marque NF PAC peuvent être consultées sur le site web www.marque-nf.com

1. Consignes de sécurité

- ▶ Avant d'installer le climatiseur, lire attentivement toutes les "Consignes de sécurité".
- ▶ Veuillez consulter ou obtenir la permission votre compagnie d'électricité avant de connecter votre système.

⚠ Avertissement:

Précautions à suivre pour éviter tout danger de blessure ou de décès de l'utilisateur.

⚠ Précaution:

Décrit les précautions qui doivent être prises pour éviter d'endommager l'appareil.

⚠ Avertissement:

- L'appareil ne doit pas être installé par l'utilisateur. Contacter un revendeur ou un technicien agréé pour installer l'appareil. Si l'appareil n'est pas correctement installé, des fuites d'eau, des chocs électriques ou des incendies peuvent se produire.
- Pour l'installation, respecter les instructions du manuel d'installation et utiliser des outils et des composants de tuyau spécialement conçus pour une utilisation avec le réfrigérant R410A. La pression du réfrigérant R410A du système HFC est 1,6 fois supérieure à celle des réfrigérants traditionnels. Si des composants de tuyau non adaptés au réfrigérant R410A sont utilisés et si l'appareil n'est pas correctement installé, les tuyaux peuvent éclater et provoquer des dommages ou des blessures. Des fuites d'eau, des chocs électriques et des incendies peuvent également se produire.
- L'appareil doit être installé conformément aux instructions pour réduire les risques de dommages liés à des tremblements de terre, des typhons ou des vents violents. Une installation incorrecte peut entraîner la chute de l'appareil et provoquer des dommages ou des blessures.
- L'appareil doit être solidement installé sur une structure pouvant supporter son poids. Si l'appareil est fixé sur une structure instable, il risque de tomber et de provoquer des dommages ou des blessures.
- Si l'appareil extérieur est installé dans une petite pièce, certaines mesures doivent être prises pour éviter que la concentration de réfrigérant ne dépasse le seuil de sécurité en cas de fuite. Consulter un revendeur pour obtenir les mesures adéquates et ainsi éviter de dépasser la concentration autorisée. En cas de fuite de réfrigérant et de dépassement du seuil de concentration, des risques liés au manque d'oxygène dans la pièce peuvent survenir.
- Aérer la pièce en cas de fuite de réfrigérant lors de l'utilisation. Le contact du réfrigérant avec une flamme peut provoquer des émanations de gaz toxiques.
- Toutes les installations électriques doivent être effectuées par un technicien qualifié conformément aux réglementations locales et aux instructions fournies dans ce manuel. Les appareils doivent être alimentés par des lignes électriques adaptées. Utiliser la tension correcte et des coupe-circuits. Des lignes électriques de capacité insuffisante ou des installations électriques incorrectes peuvent provoquer un choc électrique ou un incendie.
- Utiliser le cuivre phosphoreux C1220, pour des tuyaux sans soudure en cuivre et en alliage de cuivre, pour raccorder les tuyaux de réfrigérant. Si les tuyaux

Une fois l'installation terminée, expliquer les "Consignes de sécurité", l'utilisation et l'entretien de l'appareil au client conformément aux informations du mode d'emploi et effectuer l'essai de fonctionnement en continu pour garantir un fonctionnement normal. Le manuel d'installation et le mode d'emploi doivent être fournis à l'utilisateur qui doit les conserver. Ces manuels doivent également être transmis aux nouveaux utilisateurs.

⚡ : Indique un élément qui doit être mis à la terre.

⚠ Avertissement:

Prendre soin de lire les étiquettes se trouvant sur l'appareil principal.

ne sont pas correctement raccordés, la mise à la terre de l'appareil ne sera pas conforme et des chocs électriques peuvent se produire.

- N'utiliser que les câbles spécifiés pour les raccordements. Les raccordements doivent être réalisés correctement sans tension sur les bornes. Ne jamais effectuer de jonction sur les câbles (sauf en cas d'indications contraires). Le non respect de cette consigne peut entraîner une surchauffe ou un incendie.
- Le couvercle du bloc de sortie de l'appareil extérieur doit être solidement fixé. S'il n'est pas correctement installé et si des poussières et de l'humidité s'infiltrent dans l'appareil, un choc électrique ou un incendie peut se produire.
- Lors de l'installation, du déplacement ou de l'entretien de l'appareil extérieur, n'utilisez que le réfrigérant spécifié (R410A) pour remplir les tuyaux de réfrigérant. Ne pas le mélanger avec un autre réfrigérant et faire le vide d'air dans les tuyaux. Si du réfrigérant est mélangé avec de l'air, cela peut provoquer des pointes de pression dans les tuyaux de réfrigérant et entraîner une explosion et d'autres risques. L'utilisation d'un réfrigérant différent de celui spécifié pour le climatiseur peut entraîner des défaillances mécaniques, des dysfonctionnements du système ou une panne de l'appareil. Dans le pire des cas, cela peut entraîner un obstacle à la mise en sécurité du produit.
- N'utiliser que les accessoires agréés par Mitsubishi Electric et contacter un revendeur ou un technicien agréé pour les installer. Si les accessoires ne sont pas correctement installés, une fuite d'eau, un choc électrique ou un incendie peut se produire.
- Ne pas changer l'appareil. Consulter un revendeur en cas de réparations. Si les modifications ou réparations ne sont pas correctement effectuées, une fuite d'eau, un choc électrique ou un incendie peut se produire.
- L'utilisateur ne doit jamais essayer de réparer ou de déplacer l'appareil. Si l'appareil n'est pas correctement installé, des fuites d'eau, des chocs électriques ou des incendies peuvent se produire. Si l'appareil extérieur doit être réparé ou déplacé, contacter un revendeur ou un technicien agréé.
- Une fois l'installation terminée, vérifier les éventuelles fuites de réfrigérant. Si le réfrigérant fuit dans la pièce et entre en contact avec la flamme d'un chauffage ou d'une cuisinière, des gaz toxiques peuvent se dégager.

1.1. Avant l'installation

⚠ Précaution:

- Ne pas utiliser l'appareil dans un environnement inhabituel. Si l'appareil extérieur est installé dans des endroits exposés à la vapeur, à l'huile volatile (notamment l'huile de machine), au gaz sulfurique, à une forte teneur en sel, par exemple, à la mer, ou dans des endroits où l'appareil sera recouvert de neige, les performances peuvent considérablement diminuer et les pièces internes de l'appareil être endommagées.
- Ne pas installer l'appareil dans des endroits où des gaz de combustion peuvent s'échapper, se dégager ou s'accumuler. L'accumulation de gaz de combustion autour de l'appareil peut provoquer un incendie ou une explosion.

- L'appareil extérieur produit de la condensation lors du fonctionnement du chauffage. Prévoir un système de drainage autour de l'appareil extérieur au cas où la condensation provoquerait des dommages.
- Lors de l'installation de l'appareil dans un hôpital ou un centre de communications, se préparer au bruit et aux interférences électroniques. Les inverseurs, les appareils électroménagers, les équipements médicaux haute fréquence et de communications radio peuvent provoquer un dysfonctionnement ou une défaillance de l'appareil extérieur. L'appareil extérieur peut également endommager les équipements médicaux et de communications, perturbant ainsi les soins et réduisant la qualité d'affichage des écrans.

1. Consignes de sécurité

1.2. Avant l'installation (déplacement)

⚠ Précaution:

- Transportez et installez les appareils avec précaution. L'appareil doit être transporté par deux personnes ou plus, car il pèse 20 kg minimum. Ne pas tirer les rubans d'emballage. Portez des gants de protection pour sortir l'appareil de son emballage et pour le déplacer, car vous risquez de vous blesser les mains sur les ergots ou les arêtes des autres pièces.
- Veiller à éliminer le matériel d'emballage en toute sécurité. Le matériel d'emballage (crous et autres pièces en métal ou en bois) peut provoquer des blessures.

- La base et les fixations de l'appareil extérieur doivent être vérifiées régulièrement pour éviter qu'elles ne se desserrent, se fissent ou subissent d'autres dommages. Si ces défauts ne sont pas corrigés, l'appareil peut tomber et provoquer des dommages ou des blessures.
- Ne pas nettoyer l'appareil extérieur à l'eau au risque de provoquer un choc électrique.
- Serrer les écrous évasés, conformément aux spécifications, à l'aide d'une clé dynamométrique. Si les écrous sont trop serrés, ils peuvent se casser après un certain temps et provoquer une fuite de réfrigérant.

1.3. Avant l'installation électrique

⚠ Précaution:

- Veiller à installer des coupe-circuits. Dans le cas contraire, un choc électrique peut se produire.
- Pour les lignes électriques, utiliser des câbles standard de capacité suffisante. Dans le cas contraire, un court-circuit, une surchauffe ou un incendie peut se produire.
- Lors de l'installation des lignes électriques, ne pas mettre les câbles sous tension. Si les connexions sont desserrées, les câbles peuvent se rompre et provoquer une surchauffe ou un incendie.

- Veiller à mettre l'appareil à la terre. Ne pas relier le fil de terre aux conduites de gaz ou d'eau, aux paratonnerres ou aux lignes de terre téléphoniques. Une mise à la terre incorrecte de l'appareil peut provoquer un choc électrique.
- Utiliser des coupe-circuits (disjoncteur de fuite à la terre, interrupteur d'isolement (fusible +B) et disjoncteur à boîtier moulé) à la capacité spécifiée. Si la capacité du coupe-circuit est supérieure à celle spécifiée, une défaillance ou un incendie peut se produire.

1.4. Utilisation d'appareils extérieurs utilisant le réfrigérant R410A

⚠ Précaution:

- Utiliser le cuivre phosphoreux C1220, pour des tuyaux sans soudure en cuivre et en alliage de cuivre, pour raccorder les tuyaux de réfrigérant. Vérifier que l'intérieur des tuyaux est propre et dépourvu de tout agent nocif tel que des composés sulfuriques, des oxydants, des débris ou des saletés. Utiliser des tuyaux d'épaisseur spécifiée. (Se reporter à la 4.1.). Respecter les instructions suivantes en cas de réutilisation de tuyaux de réfrigérant R22 existants.
 - Remplacer les écrous évasés existants et évaser de nouveau les sections évasées.
 - Ne pas utiliser de tuyaux fins. (Se reporter à la 4.1.)
- Stocker à l'intérieur les tuyaux à utiliser pendant l'installation et couvrir les deux extrémités jusqu'au processus de brasage. (Laisser les joints de coude, etc. dans leur emballage.) L'infiltration de poussières, de débris ou d'humidité dans les tuyaux de réfrigérant peut affecter la qualité de l'huile ou endommager le compresseur.
- Appliquer une petite quantité d'huile ester, éther ou alkylbenzène comme huile réfrigérante sur les sections évasées. Le mélange d'huile minérale et d'huile réfrigérante peut affecter la qualité de l'huile.

- Ne pas utiliser un réfrigérant autre que le réfrigérant R410A. Si c'est le cas, le chlore peut affecter la qualité de l'huile.
- Utiliser les outils suivants spécialement conçus pour une utilisation avec le réfrigérant R410A. Les outils suivants sont nécessaires pour utiliser le réfrigérant R410A. En cas de questions, contacter le revendeur le plus proche.

Outils (pour R410A)	
Collecteur jauge	Outil d'évasement
Tuyau de charge	Jauge de réglage de la taille
Détecteur de fuite de gaz	Adaptateur pour pompe à vide
Clé dynamométrique	Echelle électronique de charge de réfrigérant

- Veiller à utiliser les outils adaptés. L'infiltration de poussières, de débris ou d'humidité dans les tuyaux de réfrigérant peut affecter la qualité de l'huile réfrigérante.
- Ne pas utiliser un cylindre de charge. L'utilisation d'un cylindre de charge peut modifier la composition du réfrigérant et réduire son efficacité.

2. Emplacement pour l'installation

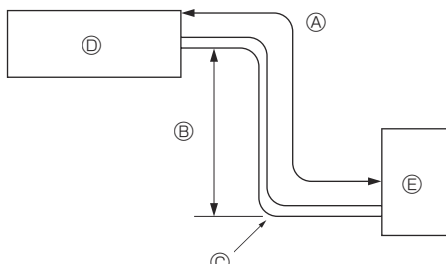


Fig. 2-1

2.1. Tuyaux de réfrigérant (Fig. 2-1)

- Vérifier que la différence de hauteur entre les appareils intérieur et extérieur, la longueur du tuyau de réfrigérant et le nombre de coudes permis dans le tuyau se situent au sein des limites reprises dans le tableau ci-dessous.

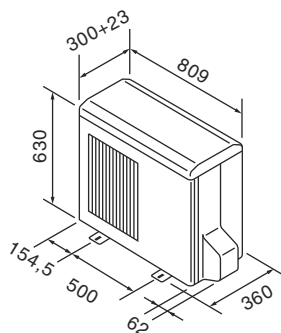
Modèle	Ⓐ Longueur du tuyau (un sens)	Ⓑ Différence de hauteur	Ⓒ Nombre de coudes (un sens)
SW50	2 m - 40 m	Max. 30 m	Max. 15
SW75	2 m - 40 m	Max. 30 m	Max. 15
SW100, 120	2 m - 75 m	Max. 30 m	Max. 15

- La limite de différence d'élévation s'applique à toutes dispositions d'appareils intérieurs et extérieurs, sans tenir compte de celui qui est le plus élevé.
 - Ⓓ Appareil intérieur
 - Ⓔ Appareil extérieur

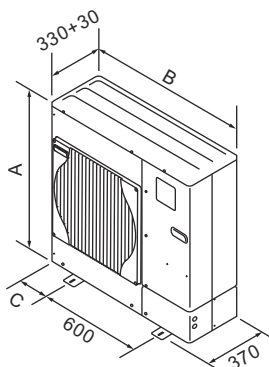
2. Emplacement pour l'installation

■ SW50

(mm)



■ SW75, 100, 120



Modèle	A (mm)	B (mm)	C (mm)
SW75	943	950	175
SW100	1350	950	175
SW120	1350	950	175

Fig. 2-2

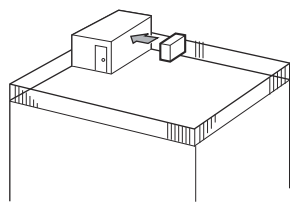


Fig. 2-3

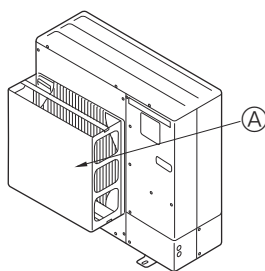


Fig. 2-4

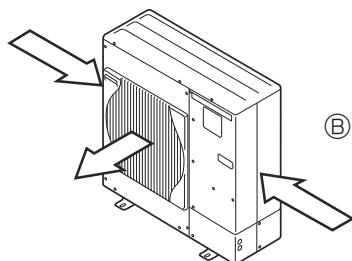


Fig. 2-5

2.2. Sélection de l'emplacement d'installation de l'appareil extérieur

- Eviter les endroits exposés au rayonnement solaire direct ou à d'autres sources de chaleur.
- Sélectionner un endroit où le bruit de l'appareil n'incommodera pas le voisinage.
- Sélectionner un endroit permettant un accès facile des câbles et tuyaux à la source d'alimentation et à l'appareil intérieur.
- Eviter les endroits exposés à des risques de fuite, d'échappement ou d'accumulation de gaz.
- Ne pas oublier que des gouttes d'eau peuvent couler de l'appareil lors de son utilisation.
- Sélectionner un endroit de niveau pouvant supporter le poids et les vibrations de l'appareil.
- Eviter les endroits où l'appareil peut être recouvert de neige. Dans les zones où les chutes de neige importantes sont prévisibles, certaines précautions (par ex., relever l'emplacement d'installation ou installer une hotte sur l'arrivée d'air) doivent être prises pour éviter que la neige ne bloque l'arrivée d'air ou ne tombe directement dessus. La circulation de l'air risque de diminuer et d'entraîner un dysfonctionnement.
- Eviter les endroits exposés à l'huile, à la vapeur ou au gaz sulfurique.
- Utiliser les poignées de transport (quatre emplacements à gauche, à droite, à l'avant et à l'arrière) de l'appareil extérieur pour le déplacer. Transporter l'appareil par le bas peut provoquer des pincements aux mains ou aux doigts.

2.3. Dimensions extérieures (Appareil extérieur) (Fig. 2-2)

2.4. Ventilation et espace de service

2.4.1. Installation à un endroit exposé au vent

Lors de l'installation de l'appareil extérieur sur un toit ou à d'autres endroits non protégés du vent, diriger la sortie d'air de l'appareil vers le côté qui n'est pas directement exposé aux vents forts. Le vent soufflant dans la sortie d'air peut empêcher l'air de circuler normalement et provoquer un dysfonctionnement.

Voici trois exemples de précautions à prendre.

- ① Positionner la sortie d'air vers le mur le plus proche et à environ 50 cm de celui-ci. (Fig. 2-3)
- ② Installer un guidage d'air optionnel si l'appareil est placé dans un endroit où les vents violents d'une tempête, par exemple, pourraient s'engouffrer directement dans la sortie d'air. (Fig. 2-4)
 - Ⓐ Guidage d'air
- ③ Placer l'appareil de sorte que la sortie d'air souffle dans la direction perpendiculaire à celle des vents saisonniers, si celle-ci est connue. (Fig. 2-5)
 - Ⓑ Sens du vent

2.4.2. Lors de l'installation d'un seul appareil extérieur (Voir en dernière page)

Les dimensions minimales sont les suivantes, à l'exception des valeurs Max., indiquant les dimensions maximales.

Le chiffre entre parenthèses concerne les modèles SW100, 120.

Utiliser les chiffres pour chaque cas.

- ① Obstacles uniquement à l'arrière (Fig. 2-6)
- ② Obstacles uniquement à l'arrière et au-dessus (Fig. 2-7)
 - Ne pas utiliser les guidages de sortie d'air en option pour un débit d'air vers le haut.
- ③ Obstacles uniquement à l'arrière et sur les côtés (Fig. 2-8)
 - * 350 pour SW50.
- ④ Obstacles uniquement à l'avant (Fig. 2-9)
 - * Lors de l'utilisation d'un guidage de sortie d'air en option, le jeu des modèles SW100, 120 est de 500 mm minimum.
- ⑤ Obstacles uniquement à l'avant et à l'arrière (Fig. 2-10)
 - * Lors de l'utilisation d'un guidage de sortie d'air en option, le jeu des modèles SW100, 120 est de 500 mm minimum.
- ⑥ Obstacles uniquement à l'arrière, sur les côtés et au-dessus (Fig. 2-11)
 - * 350 pour SW50.
 - Ne pas utiliser les guidages de sortie d'air en option pour un débit d'air vers le haut.

2.4.3. Lors de l'installation de plusieurs appareils extérieurs (Voir en dernière page)

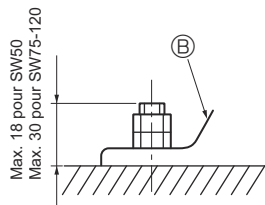
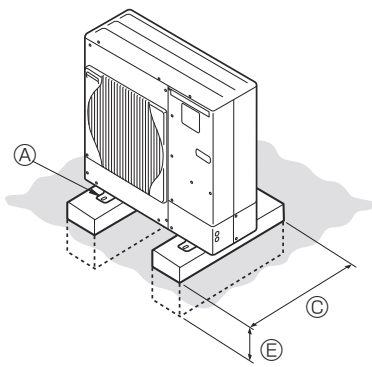
Pour SW50, laisser 350 mm et pour SW75-120, laisser 10 mm d'espace entre les appareils.

Le chiffre entre parenthèses concerne les modèles SW100, 120.

Utiliser les chiffres pour chaque cas.

- ① Obstacles uniquement à l'arrière (Fig. 2-12)
- ② Obstacles uniquement à l'arrière et au-dessus (Fig. 2-13)
 - Ne pas installer côte à côte plus de trois appareils. Espacer également les appareils, comme illustré.
 - Ne pas utiliser les guidages de sortie d'air en option pour un débit d'air vers le haut.
- ③ Obstacles uniquement à l'avant (Fig. 2-14)
 - * Lors de l'utilisation d'un guidage de sortie d'air en option, le jeu des modèles SW100, 120 est de 1000 mm minimum.
- ④ Obstacles uniquement à l'avant et à l'arrière (Fig. 2-15)
 - * Lors de l'utilisation d'un guidage de sortie d'air en option, le jeu des modèles SW100, 120 est de 1000 mm minimum.
- ⑤ Disposition pour un seul appareil parallèle (Fig. 2-16)
 - * Lors de l'utilisation d'un guidage de sortie d'air en option installé pour un débit d'air vers le haut, le jeu est de 500 (1000) mm minimum.
- ⑥ Disposition pour plusieurs appareils parallèles (Fig. 2-17)
 - * Lors de l'utilisation d'un guidage de sortie d'air en option installé pour un débit d'air vers le haut, le jeu est de 1000 (1500) mm minimum.
- ⑦ Disposition pour appareils empilés (Fig. 2-18)
 - Il est possible d'empiler jusqu'à deux appareils.
 - Ne pas installer côte à côte plus de deux appareils empilés. Espacer également les appareils, comme illustré.

3. Installation de l'appareil extérieur



- Ⓐ Boulon M10 (3/8 ème de pouce)
- Ⓑ Base
- Ⓒ Aussi long que possible.
- Ⓓ Ventilateur
- Ⓔ Profondément enfoncé dans la terre

(mm)

- Bien installer l'appareil sur une surface solide et de niveau, de façon à éviter tout bruit de crécelle pendant le fonctionnement. (Fig. 3-1)

<Spécifications de la fondation>

Boulon de fondation	M10 (3/8 ème de pouce)
Epaisseur de béton	120 mm
Longueur des boulons	70 mm
Résistance au poids	320 kg

- S'assurer que la longueur des boulons de fondation ne dépasse pas 30 mm par rapport à la surface inférieure de la base.
- Fixer fermement la base de l'appareil avec quatre boulons de fondation M10 placés à des endroits suffisamment robustes.

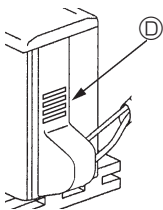
Installation de l'appareil extérieur

- Ne pas bloquer le ventilateur. Si le ventilateur est bloqué, l'appareil sera ralenti et risque d'être endommagé.
- Pour installer l'appareil, utiliser, si nécessaire et en plus de la base de l'appareil, les orifices d'installation situés à l'arrière pour fixer les câbles, etc. Utiliser des vis autotaraudeuses (ø5 × 15 mm ou moins) et installer l'appareil sur site.

⚠ Avertissement:

- L'appareil doit être solidement installé sur une structure pouvant supporter son poids. Si l'appareil est fixé sur une structure instable, il risque de tomber et de provoquer des dommages ou des blessures.
- L'appareil doit être installé conformément aux instructions pour réduire les risques de dommages liés à des tremblements de terre, des typhons ou des vents violents. Une installation incorrecte peut entraîner la chute de l'appareil et provoquer des dommages ou des blessures.

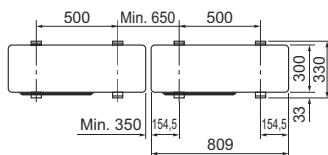
■ SW50



■ SW75-120



■ SW50



■ SW75-120

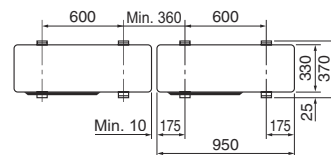


Fig. 3-1

4. Installation de la tuyauterie du réfrigérant

4.1. Consignes pour appareils utilisant le réfrigérant R410A

- Se reporter à la 1.4. pour les consignes non reprises ci-dessous concernant l'utilisation d'appareils extérieurs avec un réfrigérant R410A.
 - Appliquer une petite quantité d'huile ester, éther ou alkylbenzène comme huile réfrigérante sur les sections évasées.
 - Utiliser le cuivre phosphoreux C1220, pour des tuyaux sans soudure en cuivre et en alliage de cuivre, pour raccorder les tuyaux de réfrigérant. Utiliser les tuyaux de réfrigérant dont l'épaisseur est spécifiée dans le tableau ci-dessous. Vérifier que l'intérieur des tuyaux est propre et dépourvu de tout agent nocif tel que des composés sulfuriques, des oxydants, des débris ou des saletés.
- Lors du brasage des tuyaux, toujours effectuer un brasage sans oxydation, sinon, le compresseur risque d'être endommagé.

⚠ Avertissement:

Lors de l'installation, du déplacement ou de l'entretien de l'appareil extérieur, n'utilisez que le réfrigérant spécifié (R410A) pour remplir les tuyaux de réfrigérant. Ne pas le mélanger avec un autre réfrigérant et faire le vide d'air dans les tuyaux.

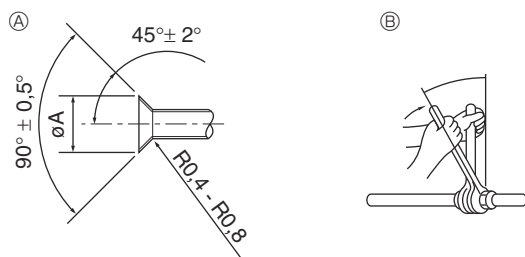
Si du réfrigérant est mélangé avec de l'air, cela peut provoquer des pointes de pression dans les tuyaux de réfrigérant et entraîner une explosion et d'autres risques.

L'utilisation d'un réfrigérant différent de celui spécifié pour le climatiseur peut entraîner des défaillances mécaniques, des dysfonctionnements du système ou une panne de l'appareil. Dans le pire des cas, cela peut entraîner un obstacle à la mise en sécurité du produit.

Taille du tuyau (mm)	ø6,35	ø9,52	ø12,7	ø15,88	ø19,05	ø22,2	ø25,4	ø28,58
Epaisseur (mm)	0,8	0,8	0,8	1,0	1,0	1,0	1,0	1,0

- Ne pas utiliser de tuyaux plus fins que ceux spécifiés ci-dessus.
- Utiliser des tuyaux 1/2 H ou H si le diamètre est de 22,2 mm ou plus.

4. Installation de la tuyauterie du réfrigérant



- Ⓐ Dimension de l'évasement
Ⓑ Couple de serrage du raccord conique

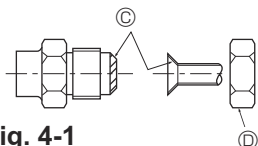


Fig. 4-1

Ⓐ (Fig. 4-1)

Diam. ext. Tuyau en cuivre (mm)	Dimensions évasement Dimensions øA (mm)
ø6,35	8,7 - 9,1
ø9,52	12,8 - 13,2
ø12,7	16,2 - 16,6
ø15,88	19,3 - 19,7
ø19,05	23,6 - 24,0

Ⓑ (Fig. 4-1)

Diam. ext. Tuyau en cuivre (mm)	Diam. ext. raccord conique (mm)	Couple de serrage (N·m)
ø6,35	17	14 - 18
ø6,35	22	34 - 42
ø9,52	22	34 - 42
ø12,7	26	49 - 61
ø12,7	29	68 - 82
ø15,88	29	68 - 82
ø15,88	36	100 - 120
ø19,05	36	100 - 120

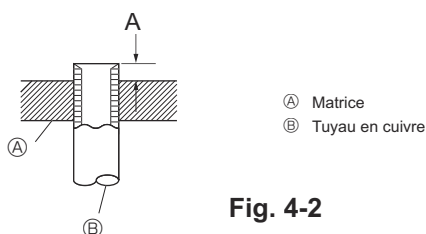


Fig. 4-2

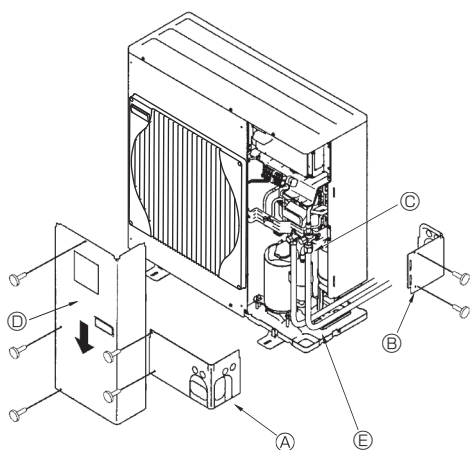


Fig. 4-3

- Ⓐ Couvercle de la tuyauterie avant
Ⓑ Couvercle de la tuyauterie
Ⓒ Vanne d'arrêt
Ⓓ Panneau de service
Ⓔ Rayon de cintrage : 100 mm-150 mm

4.2. Connexion des tuyaux (Fig. 4-1)

- En cas d'utilisation de tuyaux en cuivre disponibles sur le marché, envelopper les tuyaux de liquide et de gaz avec de la matière isolante vendue dans le commerce sur le marché (résistant à une chaleur de 100°C ou supérieure et d'une épaisseur de 12 mm ou plus). Un contact direct avec la tuyauterie nue peut entraîner des brûlures ou des engelures.
- Les parties intérieures du tuyau d'écoulement doivent également être entourées de matière isolante en mousse de polyéthylène (avec une poids spécifique de 0,03 et de 9 mm d'épaisseur ou plus).
- Appliquer un film mince d'huile réfrigérante sur la surface du tuyau et du support du joint avant de serrer l'écrou évasé. Ⓐ
- Utiliser deux clés pour serrer les connexions des tuyaux. Ⓑ
- Lorsque le raccord des tuyaux est terminé, utiliser un détecteur de fuite de gaz ou une solution savonneuse à base d'eau pour s'assurer qu'il n'y ait pas de fuite de gaz.
- Appliquer de l'huile réfrigérante sur toute la surface évasée du fond. Ⓒ
- Utiliser les écrous évasés correspondant aux tailles de tuyaux suivantes. Ⓓ

	SW50	SW75	SW100, 120
Côté gaz	Diamètre du tuyau (mm) ø12,7	ø15,88	ø15,88
Côté liquide	Diamètre du tuyau (mm) ø6,35	ø9,52	ø9,52

- Veiller à ne pas rompre les tuyaux lors de leur courbure. Des rayons de courbure compris entre 100 mm à 150 mm suffisent.
- Vérifier que les tuyaux ne touchent pas le compresseur. Des vibrations ou des bruits anormaux pourraient se produire.

- Raccorder les tuyaux en commençant par l'appareil intérieur. Serrer les écrous évasés à l'aide d'une clé dynamométrique.
- Evaser les conduits de liquide et de gaz, puis appliquer un film mince d'huile réfrigérante (application sur site).
- Si un procédé d'étanchéité traditionnel est utilisé pour les tuyaux, se reporter au tableau 1 pour l'évasement des tuyaux de réfrigérant R410A. La jauge de réglage de la taille peut être utilisée pour confirmer les mesures A.

Tableau 1 (Fig. 4-2)

Diam. ext. Tuyau en cuivre (mm)	A (mm)
	Outil d'évasement pour le R410A Type embrayage
ø6,35 (1/4")	0 - 0,5
ø9,52 (3/8")	0 - 0,5
ø12,7 (1/2")	0 - 0,5
ø15,88 (5/8")	0 - 0,5
ø19,05 (3/4")	0 - 0,5

⚠ Avertissement:

Pendant l'installation de l'appareil, brancher correctement les tuyaux de réfrigérant avant de lancer le compresseur.

4.3. Mise en place des tuyaux de réfrigérant (Fig. 4-3)

- Pour SW50
Retirer le panneau de service Ⓓ (1 vis).
 - Pour SW75-120
Retirer le panneau de service Ⓓ (3 vis), le cache-tuyaux avant Ⓐ (2 vis) et le cache-tuyaux arrière Ⓑ (2 vis: SW75) (4 vis: SW100, 120).
- Effectuer les raccordements des tuyaux de réfrigérant de l'appareil intérieur/extérieur lorsque la vanne d'arrêt de l'appareil extérieur est complètement fermée.
 - Faire le vide d'air de l'appareil intérieur et des tuyaux de raccordement.
 - Une fois les tuyaux de réfrigérant raccordés, vérifier les éventuelles fuites de gaz dans les tuyaux raccordés et l'appareil intérieur. (Voir 4.4. Test d'étanchéité des tuyaux de réfrigérant.)
 - Une pompe à vide haute performance est branchée sur l'orifice de service de la vanne d'arrêt de liquide de façon à maintenir une dépression suffisamment longue (une heure minimum une fois que le relevé -101 kPa (5 Torr) est atteint pour sécher sous vide l'intérieur des tuyaux. Toujours contrôler le degré de dépression indiqué par le manomètre. Si les tuyaux présentent toujours une certaine humidité, le degré de dépression peut ne pas être atteint suite à une opération de séchage sous vide brève. Suite à l'opération de séchage sous vide, ouvrir complètement les vannes d'arrêt (de liquide et de gaz) de l'appareil extérieur. Ceci permet de relier complètement les circuits de refroidissement des appareils intérieur et extérieur.
 - Si le séchage sous vide est insuffisant, de l'air et de la vapeur d'eau peuvent rester dans les circuits de refroidissement et provoquer une augmentation ou une chute anormale de la pression, une détérioration de l'huile du système de réfrigération, etc. en raison de la présence d'humidité.
 - Faire fonctionner l'appareil sans avoir ouvert les vannes d'arrêt risque d'endommager le compresseur et la vanne de commande.
 - Utiliser un détecteur de fuites ou de l'eau savonneuse pour vérifier les éventuelles fuites de gaz aux sections de raccordement des tuyaux de l'appareil extérieur.
 - Ne pas utiliser le réfrigérant de l'appareil pour faire le vide d'air des tuyaux de réfrigérant.
 - Après avoir utilisé les vannes, resserrer leurs capuchons au couple correct : 20 à 25 N·m (200 à 250 kgf·cm). Si les capuchons sont mal remplacés ou resserrés, une fuite de réfrigérant peut se produire. Veiller également à ne pas endommager l'intérieur des capuchons des vannes car leur étanchéité empêche les fuites de réfrigérant.
 - Appliquer un agent d'étanchéité sur les extrémités de l'isolation thermique autour des sections de raccordement des tuyaux afin d'empêcher l'eau de pénétrer dans l'isolation thermique.

4. Installation de la tuyauterie du réfrigérant

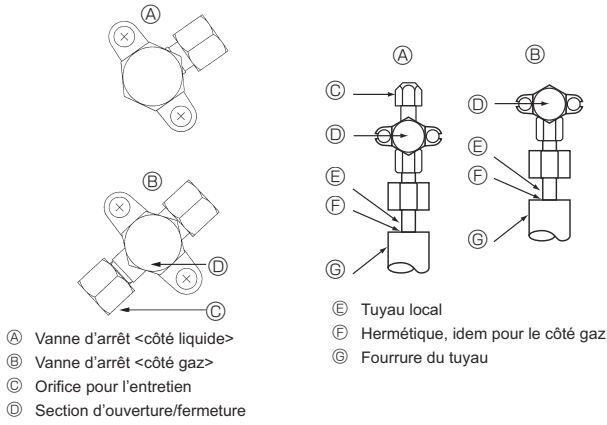


Fig. 4-4

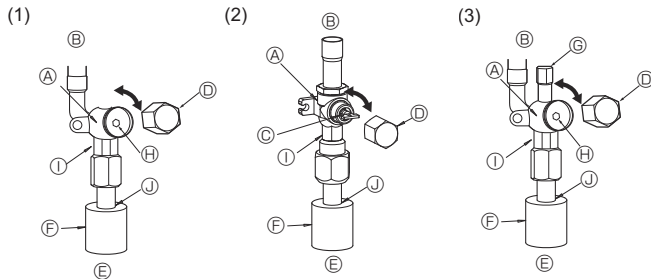


Fig. 4-5

Fig. 4-6

Fig. 4-7

- A Vanne
- B Côté appareil
- C Poignée
- D Capuchon
- E Côté tuyau local
- F Gaine du tuyau
- G Orifice pour l'entretien
- H Orifice pour la clé
- I Côté clé double (Utiliser une clé de ce côté uniquement. Dans le cas contraire, une fuite de liquide pourrait en résulter.)
- J Côté joint d'étanchéité (Etancher l'extrémité de l'isolation thermique du côté du raccord du tuyau avec un produit d'étanchéité quelconque pour éviter toute infiltration d'eau dans le matériel d'isolation thermique.)

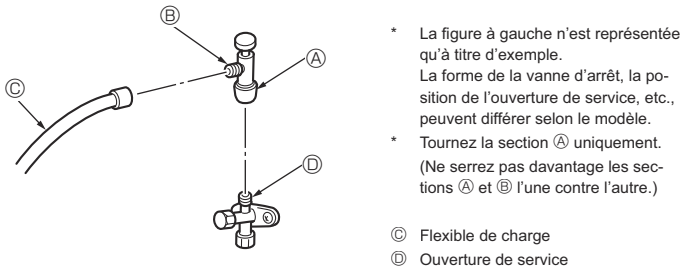


Fig. 4-8

4.4. Test d'étanchéité des tuyaux de réfrigérant (Fig. 4-4)

- (1) Connecter les outils de test.
 - Vérifier que les vannes d'arrêt A et B sont fermées et ne pas les ouvrir.
 - Ajouter de la pression dans les tuyaux de réfrigérant par l'orifice de service C de la vanne d'arrêt de liquide A.
- (2) Ne pas ajouter en une seule fois de pression à la pression spécifiée mais progressivement.
 - ① Pressuriser jusqu'à 0,5 MPa (5 kgf/cm²G), attendre cinq minutes et vérifier que la pression ne diminue pas.
 - ② Pressuriser jusqu'à 1,5 MPa (15 kgf/cm²G), attendre cinq minutes et vérifier que la pression ne diminue pas.
 - ③ Pressuriser jusqu'à 4,15 MPa (41,5 kgf/cm²G), puis mesurer la température ambiante et la pression du réfrigérant.
- (3) Si la pression spécifiée se maintient pendant environ une journée sans diminuer, les tuyaux ne présentent pas de fuite.
 - Si la température ambiante varie de 1°C, la pression varie d'environ 0,01 MPa (0,1 kgf/cm²G). Apporter les corrections nécessaires.
- (4) Si la pression diminue à l'étape (2) ou (3), il y a une fuite de gaz. Rechercher l'origine de la fuite de gaz.

4.5. Comment ouvrir la vanne d'arrêt

La méthode d'ouverture de la vanne d'arrêt varie selon le modèle de l'appareil extérieur. Ouvrir les vannes d'arrêt conformément à la méthode appropriée.

- (1) Côté gaz de SW75 (Fig. 4-5)
 - ① Retirez le bouchon, et tournez la tige de soupape à fond dans le sens antihoraire avec une clé hexagonale de 5 mm. Arrêtez de tourner quand elle frappe la retenue. (ø15,88: env. 13 tours)
 - ② Vérifier que la vanne d'arrêt est complètement ouverte et tourner le capuchon pour le ramener sur sa position d'origine.
- (2) Côté gaz de SW100, 120 (Fig. 4-6)
 - ① Enlever le capuchon, ramener la poignée vers soi et la tourner d'un quart de tour en sens inverse des aiguilles d'une montre pour ouvrir la vanne.
 - ② Vérifier que la vanne d'arrêt est complètement ouverte, appuyer sur la poignée et tourner le capuchon pour le ramener sur sa position d'origine.
- (3) Côté liquide de SW75-120 et côté gaz/liquide de SW50-75 (Fig. 4-7)
 - ① Retirez le bouchon, et tournez la tige de soupape à fond dans le sens antihoraire avec une clé hexagonale de 4 mm. Arrêtez de tourner quand elle frappe la retenue. (ø9,52: env. 10 tours)
 - ② Vérifier que la vanne d'arrêt est complètement ouverte, appuyer sur la poignée et tourner le capuchon pour le ramener sur sa position d'origine.

Les tuyaux de réfrigérant sont entourés d'une couche de protection pour SW75-120

- Les tuyaux peuvent être entourés, après ou avant avoir été raccordés, d'une couche de protection allant jusqu'à ø90. Découper la rondelle défonçable du cache-tuyaux en suivant la rainure et envelopper les tuyaux.
- Orifice d'entrée du tuyau pour SW75-120
- Appliquer du mastic ou un agent d'étanchéité sur l'entrée des tuyaux pour éviter tout espace. (Si les espaces ne sont pas supprimés, l'appareil risque de fonctionner bruyamment ou d'être endommagé à cause d'une infiltration d'eau et de poussières.)

Précautions à prendre lors de l'utilisation de la soupape de charge (Fig. 4-8)

- Ne serrez pas trop l'ouverture de service au moment de l'installer, car vous pourriez déformer le corps de la soupape et des fuites pourraient se produire. Après avoir posé la section B dans la direction désirée, tournez la section A uniquement et serrez-la.
- Ne serrez pas davantage les sections A et B l'une contre l'autre après avoir serré la section A.

4.6. Ajout de produit réfrigérant

- Aucune charge supplémentaire n'est nécessaire pour cet appareil si la longueur du tuyau ne dépasse pas 10 m.
- Si le tuyau mesure plus de 10 m de long, rajouter du réfrigérant R410A dans l'appareil conformément aux longueurs de tuyaux permises mentionnées dans le tableau ci-dessous.
 - * Une fois l'appareil arrêté, le charger de réfrigérant supplémentaire par la vanne d'arrêt de liquide après avoir vidé les extensions de tuyaux et l'appareil intérieur.
 - Lors de l'utilisation de l'appareil, ajouter du réfrigérant par le clapet de non-retour du gaz à l'aide d'un chargeur de sécurité. Ne pas ajouter de réfrigérant liquide directement par le clapet de non-retour.
 - * Une fois l'appareil chargé de réfrigérant, noter la quantité de réfrigérant ajouté sur l'étiquette de service (collée sur l'appareil).
 - Pour plus d'informations, se reporter à la section "1.4. Utilisation d'appareils extérieurs utilisant le réfrigérant R410A".

- L'installation de plusieurs appareils doit se faire avec précaution. Le raccordement à un appareil intérieur défaillant peut entraîner une pression anormalement élevée et altérer sérieusement les performances de l'appareil.

Modèle	Longueur de tuyau autorisée	Différence verticale autorisée	Quantité de charge de réfrigérant ajouté					
			11 - 20 m	21 - 30 m	31 - 40 m	41 - 50 m	51 - 60 m	61 - 75 m
SW50	2 m - 40 m	-30 m	0,2 kg	0,4 kg	0,6 kg	—	—	—
SW75	2 m - 40 m	-30 m	0,15 kg	0,3 kg	0,6 kg	—	—	—
SW100, 120	2 m - 75 m	-30 m	0,2 kg	0,4 kg	1,0 kg	1,6 kg	2,2 kg	2,8 kg

5. Mise en place du tuyau d'écoulement

Raccordement du tuyau d'écoulement de l'appareil extérieur

Lorsqu'un tuyau d'écoulement s'avère nécessaire, utiliser la douille de drainage ou la cuvette de drainage (en option).

	SW50	SW75	SW100, 120
Douille de drainage	PAC-SJ08DS-E	PAC-SG61DS-E	
Cuvette de drainage	PAC-SG63DP-E	PAC-SG64DP-E	

6. Pose des tuyauteries d'eau

Quantité minimale d'eau

La quantité d'eau suivante est requise dans le circuit d'eau.

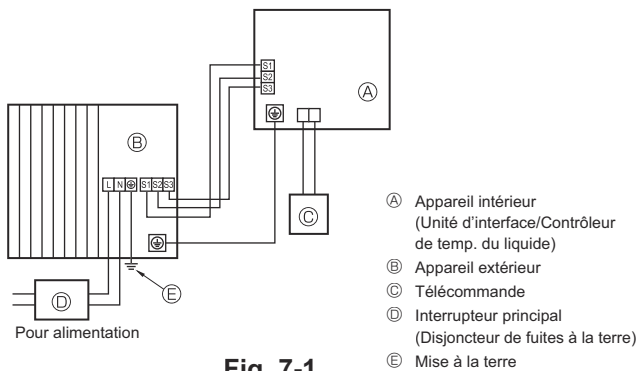
Modèle	Quantité minimale d'eau (l)
SW50	22
SW75	32
SW100	43
SW120	54

Veiller à prendre des mesures de protection contre le gel, telles que l'utilisation d'une solution antigel, lorsque l'unité est utilisée en mode de refroidissement à basse température ambiante (inférieure à 0 °C).

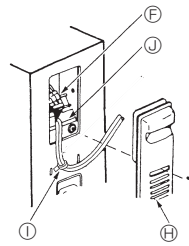
7. Installations électriques

7.1. Appareil extérieur (Fig. 7-1, Fig. 7-2)

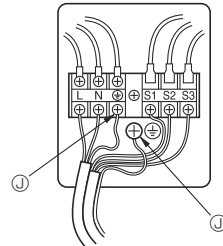
- ① Retirer le panneau de service.
- ② Effectuer le câblage conformément aux Fig. 7-1 et 7-2.



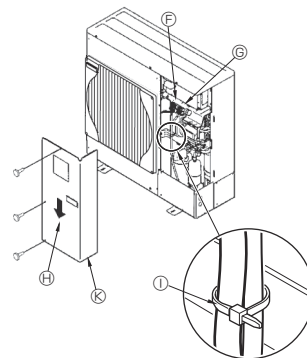
SW50



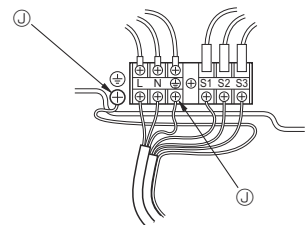
SW50



SW75-120



SW75-120V



SW100, 120V

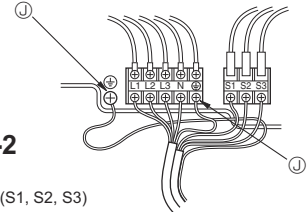


Fig. 7-2

- (F) Bloc de raccordement
 (G) Bloc de raccordement intérieur/extérieur (S1, S2, S3)
 (H) Panneau de service
 (I) Attache
 (J) Borne de terre
- * Serrer les câbles de sorte qu'ils ne touchent pas le centre du panneau de service ou la vanne de gaz.
- Ⓜ Montez les câbles de telle sorte qu'ils n'entrent pas en contact avec le centre du panneau de service.

Remarque :

Si la feuille protectrice du boîtier électrique est retirée pendant l'entretien, veiller à la remettre en place.

⚠ Précaution:

Veillez à installer la conduite N. En l'absence de conduite N, l'appareil risque d'être endommagé.

7. Installations électriques

7.2. Câblage des champs électriques

Modèle de l'appareil extérieur	SW50V	SW75V	SW100V	SW120V	SW100, 120Y	
Appareil extérieur alimentation	~N (Monophasé), 50 Hz, 230 V	~N (Monophasé), 50 Hz, 230 V	~N (Monophasé), 50 Hz, 230 V	~N (Monophasé), 50 Hz, 230 V	3N- (3 ph 4-câbles), 50 Hz, 400 V	
Capacité d'entrée de l'appareil extérieur Interrupteur principal (Disjoncteur) *1	16 A	25 A	32 A	40 A	16 A	
Câblage No du câble x taille en (mm ²)	Appareil extérieur alimentation	3 x Min. 1,5	3 x Min. 2,5	3 x Min. 4	3 x Min. 6	5 x Min. 1,5
	Appareil intérieur-appareil extérieur	*2 3 x 1,5 (Polarisé)	*2 3 x 1,5 (Polarisé)	*2 3 x 1,5 (Polarisé)	*2 3 x 1,5 (Polarisé)	*2 3 x 1,5 (Polarisé)
	Mise à la terre de l'appareil intérieur/extérieur	*2 1 x Min. 1,5	*2 1 x Min. 1,5	*2 1 x Min. 1,5	*2 1 x Min. 1,5	*2 1 x Min. 1,5
Tension du circuit	Raccordement de la commande à distance-appareil intérieur	*3 2 x 0,3 (Non polarisé)	*3 2 x 0,3 (Non polarisé)	*3 2 x 0,3 (Non polarisé)	*3 2 x 0,3 (Non polarisé)	*3 2 x 0,3 (Non polarisé)
	Appareil extérieur L-N (Monophasé)	*4 230 Vca	*4 230 Vca	*4 230 Vca	*4 230 Vca	*4 230 Vca
	Appareil extérieur L1-N, L2-N, L3-N (triphasé)	*4 230 Vca	*4 230 Vca	*4 230 Vca	*4 230 Vca	*4 230 Vca
	Appareil intérieur-appareil extérieur S1-S2	*4 24 Vcc	*4 24 Vcc	*4 24 Vcc	*4 24 Vcc	*4 24 Vcc
Raccordement de la commande à distance-appareil intérieur	*4 12 Vcc	*4 12 Vcc	*4 12 Vcc	*4 12 Vcc	*4 12 Vcc	

*1. Utiliser un disjoncteur de fuite à la terre (NV) avec un écartement de 3,0 mm minimum entre les contacts de chaque pôle.

S'assurer que le disjoncteur de fuite de courant est compatible avec les harmoniques les plus élevées.

Veiller à toujours utiliser un disjoncteur de fuite de courant compatible avec les harmoniques les plus élevées car cet appareil est équipé d'un inverseur.

L'utilisation d'un disjoncteur inapproprié peut provoquer un dysfonctionnement de l'onduleur.

*2 45 m max.

En cas d'utilisation de 2,5 mm², 50 m max.

En cas d'utilisation de 2,5 mm² et S3 séparée, 80 m max.

*3. Un câble de 10 m est fixé à la télécommande.

*4. Les chiffres ne s'appliquent PAS toujours à la mise à la terre.

La borne S3 présente une différence de 24 Vcc par rapport à la borne S2. Les bornes S3 et S1 ne sont pas isolées électriquement par le transformateur ou tout autre appareil.

Remarques: 1. La taille des fils doit être conforme aux réglementations nationales et locales pertinentes.

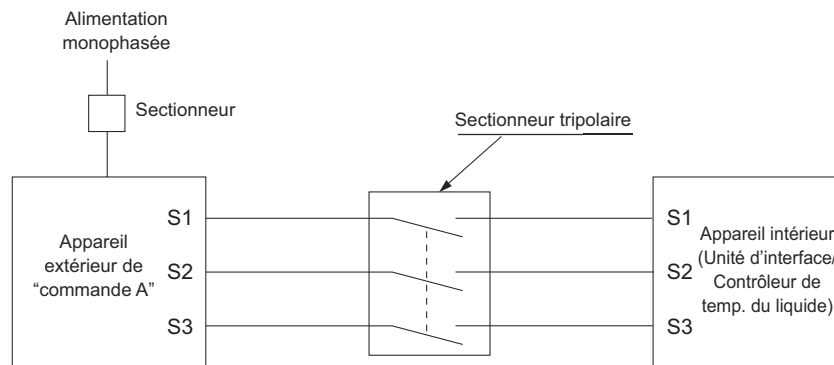
2. Les câbles d'alimentation et les câbles entre le contrôleur et l'appareil extérieur doivent avoir une isolation au moins égale à celle que procure le polychloroprène. (Conception 60245 IEC 57)

3. Veiller à ce que les câbles entre le contrôleur et l'appareil extérieur soient directement raccordés (aucun branchement intermédiaire n'est permis). Tout branchement intermédiaire peut se traduire par des erreurs de communications. Si de l'eau pénètre en un point de branchement intermédiaire, l'isolement avec la terre peut être insuffisant ou le contact électrique médiocre.

(Si un branchement intermédiaire est impératif, veiller à ce que l'eau ne puisse pas pénétrer dans les câbles.)

4. Installer un câble de terre plus long que les autres câbles.

5. Ne réalisez pas un système dont l'alimentation est souvent mise en marche ou arrêtée.

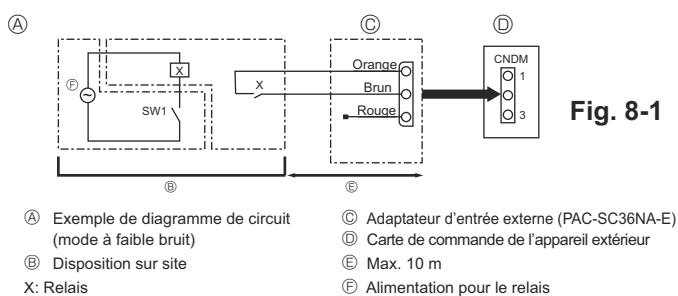


⚠ Avertissement:

- S'il s'agit d'un câblage de commande A, un risque de haute tension existe sur la borne S3 en raison d'une conception de circuit électrique dépourvue d'un isolant électrique entre la ligne de commande et la ligne de signal de communication. Par conséquent, mettre l'alimentation principale hors tension lors de l'entretien. Veiller également à ne pas toucher les bornes S1, S2 et S3 lorsque l'alimentation est sous tension. S'il faut placer un sectionneur entre les appareils extérieur et intérieur, en utiliser un de type tripolaire.

Ne jamais effectuer de jonction du câble d'alimentation ou du câble de raccordement intérieur-extérieur car cela peut entraîner une surchauffe, un incendie ou un raccordement défaillant.

8. Fonctions spéciales



8.1. Mode à faible bruit (modification sur site) (Fig. 8-1)

En apportant la modification suivante, le bruit de fonctionnement de l'appareil extérieur peut être réduit d'environ 3 à 4 dB.

Le mode à faible bruit est activé lorsqu'un temporisateur disponible dans le commerce ou l'entrée par contact d'un commutateur MARCHE/ARRET est ajouté au connecteur CNDM (option) sur la carte de commande de l'appareil extérieur.

- La capacité dépend de la température et des conditions extérieures, etc.
- ① Etablir le circuit comme illustré lors de l'utilisation de l'adaptateur d'entrée externe (PAC-SC36NA-E). (Option)
- ② SW7-1 (Carte de commande de l'appareil extérieur) : OFF
- ③ SW1 ON : Mode à faible bruit
SW1 OFF : Fonctionnement normal

8.2. Récupération du réfrigérant (Aspiration)

Effectuer les opérations suivantes pour récupérer le réfrigérant en cas de déplacement des appareils intérieur ou extérieur.

- ① Mettre sous tension (coupe-circuit).
 - * Lors de la mise sous tension, vérifiez que "CENTRALLY CONTROLLED" ne s'affiche pas sur la télécommande. Si "CENTRALLY CONTROLLED" s'affiche, la récupération de réfrigérant ne peut pas s'effectuer normalement.
 - * Le démarrage de la communication interne-externe prend environ 3 minutes après la mise sous tension (coupe-circuit). Démarrer la purge 3 à 4 minutes après la mise sous tension (coupe-circuit).
 - * Dans le cas d'une commande pour plusieurs appareils, débranchez le câblage entre l'appareil intérieur principal et l'appareil intérieur esclave. Pour plus d'informations, reportez-vous au manuel d'installation de l'appareil intérieur.
- ② Une fois la vanne d'arrêt de liquide fermée, activer le commutateur SWP sur la carte de commande de l'appareil extérieur. Le compresseur (appareil extérieur) et les ventilateurs (appareils intérieur et extérieur) s'enclenchent et la récupération du réfrigérant commence. Les témoins DEL 1 et 2 de la carte de commande de l'appareil extérieur s'allument.
 - * N'activer que le commutateur SWP (type bouton-poussoir) si l'appareil est arrêté. Toutefois, la récupération de réfrigérant ne peut pas s'effectuer même si l'appareil est arrêté et le commutateur SWP activé moins de 3 minutes après l'arrêt du compresseur. Attendre 3 minutes après l'arrêt du compresseur et activer de nouveau le commutateur SWP.

- ③ Étant donné que l'appareil s'arrête automatiquement après 2 à 3 minutes lorsque la collecte du réfrigérant est terminée (DEL1 éteinte, DEL2 allumée), veiller à fermer rapidement le robinet d'arrêt du gaz. Si la DEL1 est allumée et la DEL2 éteinte et que l'appareil extérieur est arrêté, la collecte du réfrigérant ne s'est pas effectuée correctement. Ouvrir complètement le robinet d'arrêt du liquide puis attendre 3 minutes avant de répéter l'étape ②.
 - * Si la collecte de réfrigérant s'est effectuée normalement (DEL1 éteinte, DEL2 allumée), l'appareil restera à l'arrêt jusqu'à la remise sous tension.
- ④ Mettre hors tension (coupe-circuit).
 - * Attention : si le tuyau de rallonge est très long et contient une grande quantité de réfrigérant, il peut être impossible d'effectuer une purge. Lors de l'opération d'évacuation, s'assurer que la basse pression est proche de 0 MPa (jauge).

⚠ Avertissement :
Pendant la purge du réfrigérant, arrêter le compresseur avant de débrancher les tuyaux de réfrigérant. Le compresseur peut éclater si de l'air, etc. pénètre à l'intérieur.

9. Commande du système

Configurez l'adresse du réfrigérant à l'aide du commutateur DIP de l'appareil extérieur.

Réglage de la fonction SW1

Réglage de SW1	Adresse du réfrigérant	Réglage de SW1	Adresse du réfrigérant
ON OFF 3 4 5 6 7	00	ON OFF 3 4 5 6 7	03
ON OFF 3 4 5 6 7	01	ON OFF 3 4 5 6 7	04
ON OFF 3 4 5 6 7	02	ON OFF 3 4 5 6 7	05

Remarque :

- a) Vous pouvez connecter jusqu'à 6 appareils.
- b) Sélectionnez un modèle unique pour tous les appareils.
- c) Pour les réglages du commutateur DIP de l'appareil intérieur, reportez-vous au manuel d'installation de l'appareil intérieur.

10. Caractéristiques techniques

Modèle extérieur		PUHZ-SW50VKA	PUHZ-SW75VHA	PUHZ-SW100VHA	PUHZ-SW120VHA	PUHZ-SW100YHA	PUHZ-SW120YHA
Alimentation électrique	V / Phase / Hz	230 / Simple / 50				400 / Trois / 50	
Dimensions (H x L x P)	mm	809 x 630 x 360	950 x 943 x 330(+30)	950 x 1350 x 330(+30)			
Niveau acoustique *1							
SPL	Chauffage	dB(A)	46	51	54	54	54
	Refroidissement	dB(A)	46	48	50	51	51
PWL	Chauffage	dB(A)	63	69	70	72	72

*1 Mesuré en dessous de la fréquence d'utilisation nominale.

Inhoud

1. Veiligheidsvoorschriften.....	29	6. Waterleidingwerk.....	35
2. Plaats.....	30	7. Elektrische aansluitingen.....	35
3. Het buitenapparaat installeren.....	32	8. Speciale functies.....	37
4. Installeren van de koelstofleidingen.....	32	9. Systeembediening.....	37
5. Installatie van Draineerbuizen.....	35	10. Specificaties.....	37



Opmerking: Dit symbool is alleen van toepassing voor EU-landen.

Dit symbool voldoet aan Richtlijn 2012/19/EU, artikel 14 (Informatie voor gebruikers) en bijlage IX.

Mitsubishi Electric producten zijn ontwikkeld en gefabriceerd uit eerste kwaliteit materialen. De onderdelen kunnen worden gerecycled en worden hergebruikt.

Het symbool betekent dat de elektrische en elektronische onderdelen op het einde van de gebruiksduur gescheiden van het huishoudelijk afval moeten worden ingezameld.

Breng deze apparatuur dan naar het gemeentelijke afvalinzamelingspunt.

In de Europese Unie worden elektrische en elektronische producten afzonderlijk ingezameld.

Help ons mee het milieu te beschermen!

⚠ Voorzichtig:

- Zorg ervoor dat geen R410A in de atmosfeer terecht komt;
- R410A is een gefluoreerd broeikasgas dat onder het Kyoto-protocol valt en een aardopwarmingsvermogen (GWP) van 1975 heeft.

1. Veiligheidsvoorschriften

- ▶ Lees alle "Veiligheidsvoorschriften" voordat u het apparaat installeert.
- ▶ Stel de aanleverende instantie op de hoogte of vraag om toestemming voordat u het systeem aansluit op het net.

⚠ Waarschuwing:

Beschrijft maatregelen die genomen moeten worden om het risico van verwonding of dood van de gebruiker te voorkomen.

⚠ Voorzichtig:

Beschrijft maatregelen die genomen moeten worden om schade aan het apparaat te voorkomen.

⚠ Waarschuwing:

- Het apparaat mag niet door de gebruiker zelf worden geïnstalleerd. Vraag de dealer of een erkende installateur om het apparaat te installeren. Onjuiste installatie van het apparaat kan leiden tot waterlekage, elektrische schokken of brand.
- Volg voor de installatie de instructies in de installatiehandleiding en gebruik gereedschap en pijpmateriaal dat speciaal is gemaakt voor gebruik met R410A-koelstof. De R410A-koelstof in het HFC-systeem wordt gebruikt onder een 1,6 maal grotere druk als normale koelstoffen. Wanneer niet voor R410A-koelstof ontworpen pijpdelen worden gebruikt in het apparaat onjuist wordt geïnstalleerd, kunnen de pijpen knappen waardoor schade of letsel kan ontstaan. Daarnaast kunnen waterlekage, elektrische schokken of brand optreden.
- Het apparaat dient volgens de instructies te worden geïnstalleerd om het risico op beschadiging bij een aardbeving of storm te beperken. Een onjuist geïnstalleerd apparaat kan vallen en schade of letsel veroorzaken.
- Het apparaat moet worden geïnstalleerd op een constructie die het gewicht ervan kan dragen. Als het apparaat wordt geïnstalleerd op een instabiele constructie, kan het vallen en schade of letsel veroorzaken.
- Als het apparaat in een kleine ruimte wordt geïnstalleerd, moeten maatregelen worden genomen tegen het weglekken van koelstof. De concentratie weggelekt koelstof in de lucht mag de grenswaarden niet overschrijden. Vraag de dealer wat u tegen het overmatig weglekken van koelstof kunt doen. Als de concentratie koelstof in de lucht te hoog wordt, kan zuurstofgebrek in de ruimte optreden.
- Ventileer de ruimte als er koelstof weggleekt wanneer het apparaat in werking is. Als de koelstof in contact komt met vuur, komen giftige gassen vrij.
- De installatie van de elektrische onderdelen moet worden uitgevoerd door een gediplomeerde elektricien in overeenstemming met de lokale regelgeving en de instructies in deze handleiding. Installeer stroomonderbrekers en zorg voor een juiste voedingsspanning. Sluit geen andere apparatuur aan op de voedingsleidingen van de apparaten. Onjuist geïnstalleerde of ongeschikte voedingsleidingen kunnen elektrische schokken of brand veroorzaken.
- Gebruik fosforhoudende, zuurstofarme, naadloze C1220-pijpen van koper of koperlegeringen als koelstofpijpen. Als de pijpen onjuist worden aangesloten, is het apparaat niet goed geaard en kunnen elektrische schokken optreden.

Informeer de klant na voltooiing van de installatie over de "Veiligheidsvoorschriften", het gebruik en het onderhoud van het apparaat en laat het apparaat proefdraaien om de werking ervan te controleren. Zowel de installatie- als de gebruikershandleiding dienen ter bewaring aan de gebruiker te worden gegeven. Deze handleidingen dienen te worden doorgegeven aan latere gebruikers.

⚠ : Geeft een onderdeel aan dat geaard moet worden.

⚠ Waarschuwing:

Lees de stickers die op het apparaat zitten zorgvuldig.

- Gebruik uitsluitend de gespecificeerde kabels voor het verbinden. De aansluitingen moeten stevig vastzitten zonder druk op de aansluitpunten. Splijf de kabels nooit voor het bedraden (tenzij in deze handleiding anders wordt aangegeven). Het niet opvolgen van deze aanwijzingen kan leiden tot oververhitting of brand.
- Het deksel van het aansluitblok van het buitenapparaat moet stevig worden vastgemaakt. Bij onjuiste montage van het deksel kunnen stof en vocht in het apparaat komen, wat een elektrische schok of brand kan veroorzaken.
- Gebruik bij het installeren of verplaatsen van het apparaat uitsluitend de voorgeschreven koelstof (R410A) voor het vullen van de koelstofpijpen. Meng de koelstof niet met andere koelstoffen en let erop dat er geen lucht in de pijpen achterblijft. Als de koelstof wordt gemengd met lucht, kan dit een uitzonderlijk hoge druk in de koelstofpijp tot gevolg hebben. Dit kan resulteren in explosiegevaar en andere gevaren.
- Als er een andere koelstof wordt gebruikt dan de voorgeschreven koelstof, heeft dit mechanische storingen, storingen van het systeem of uitvallen van het apparaat tot gevolg. In het ergste geval kan de veiligheid van het product ernstig in gevaar komen.
- Gebruik uitsluitend door Mitsubishi Electric goedgekeurde accessoires en vraag de dealer of een erkende installateur deze te installeren. Onjuiste installatie van accessoires kan leiden tot waterlekage, elektrische schokken of brand.
- Breng geen wijzigingen aan aan het apparaat. Neem voor reparatie contact op met de dealer. Onjuist uitgevoerde reparaties of wijzigingen kunnen leiden tot waterlekage, elektrische schokken of brand.
- De gebruiker mag nooit proberen het apparaat zelf te repareren of te verplaatsen. Onjuiste installatie van het apparaat kan leiden tot waterlekage, elektrische schokken of brand. Als het apparaat moet worden gerepareerd of verplaatst, neem dan contact op met de dealer of een erkende installateur.
- Controleer na voltooiing van de installatie op koelstoflekage. Als koelstof naar de ruimte lekt en in contact komt met de vlam van een verwarmings- of kookapparaat, komen giftige gassen vrij.

1.1. Voor de installatie

⚠ Voorzichtig:

- Gebruik het apparaat niet in bijzondere omgevingen. Installeer het buitenapparaat niet in ruimtes waarin deze wordt blootgesteld aan stoom, vluchtige olie (inclusief machine-olie) of zwavelgas, gebieden met een zout klimaat zoals de kust of gebieden waar het apparaat kan worden bedekt door sneeuw, omdat hierdoor de prestaties aanzienlijk kunnen verminderen en schade kan ontstaan aan de interne onderdelen.
- Installeer het apparaat niet in ruimtes waar brandbare gassen worden geproduceerd of kunnen lekken, stromen of samenstromen. Ophoping van brandbare gassen rond het apparaat kan leiden tot brand of een explosie.
- Het buitenapparaat produceert condens tijdens de verwarmingsfase. Zorg voor afvoer rond het buitenapparaat als dergelijk condensvocht schade kan veroorzaken.
- Houd rekening met geluid en elektrische storingen bij installatie van het apparaat in een ziekenhuis of communicatieruimte. Stroomomzetters, huishoudelijke apparaten, hoogfrequente medische apparatuur en radiocommunicatieapparatuur kunnen storingen in het buitenapparaat veroorzaken. Omgekeerd kan het buitenapparaat storingen veroorzaken in medische apparatuur, communicatieapparatuur en de weergave van beeldschermen.

1. Veiligheidsvoorschriften

1.2. Voor de installatie (verplaatsing)

⚠ Voorzichtig:

- Wees uitermate voorzichtig bij het vervoeren of installeren van de behuizingen. Het apparaat dient door twee of meer personen te worden getild, aangezien het 20 kg of meer weegt. Til het apparaat niet op aan de verpakingsbanden. Draag beschermende handschoenen als u de behuizing uit de verpakking haalt en bij het vervoeren ervan, omdat u uw handen kunt bezeren aan de ventilatoren, de randen of andere delen.
- Zorg dat het verpakkingsmateriaal op een veilige manier wordt weggeworpen. Verpakkingsmaterialen zoals klemmen en andere metalen of houten onderdelen kunnen snijwonden of ander letsel veroorzaken.

- Controleer de dragende constructie en bevestiging van het buitenapparaat regelmatig op loszitten, scheuren of andere beschadigingen. Als dergelijke problemen niet worden verholpen, kan het apparaat vallen en schade of letsel veroorzaken.
- Gebruik geen water om het buitenapparaat te reinigen. Hierdoor kunnen elektrische schokken optreden.
- Trek alle flensmoeren aan tot het opgegeven aanhaalmoment met een momentsleutel. Bij overmatig aantrekken kan de flensmoer na enige tijd breken waardoor koelstof kan weglekken.

1.3. Voor de installatie van de elektrische bedrading

⚠ Voorzichtig:

- Installeer stroomonderbrekers. Als er geen stroomonderbrekers worden geïnstalleerd, kunnen elektrische schokken optreden.
- Gebruik voor de voedingsleidingen standaardkabels met voldoende capaciteit. Te lichte kabels kunnen kortsluiting, oververhitting of brand veroorzaken.
- Oefen bij de installatie van de voedingsleidingen geen trekkracht uit op de kabels. Als de aansluitingen loszitten, kunnen de kabels loskomen of breken en oververhitting of brand veroorzaken.

- Zorg ervoor dat het apparaat goed is geaard. Sluit de aardleiding niet aan op een gas- of waterleiding, bliksemafleider of aardleiding voor de telefoon. Onjuiste aarding van het apparaat kan elektrische schokken veroorzaken.
- Gebruik stroomonderbrekers (aardlekschakelaar, isolatieschakelaar (+B-zekering) en onderbreker met gegoten behuizing) met de opgegeven capaciteit. Het gebruik van stroomonderbrekers met een te hoge capaciteit kan stringen of brand veroorzaken.

1.4. Gebruik van buitenapparaten met R410A-koelstof

⚠ Voorzichtig:

- Gebruik fosforhoudende, zuurstofarme, naadloze C1220-pijpen van koper of koperlegeringen als koelstofpijpen. Controleer of de binnenkant van de pijpen schoon is en vrij van schadelijke stoffen zoals zwavelverbindingen, oxidanten, vuil of stof. Gebruik pijpen van de opgegeven dikte. (Zie 4.1.) Let bij hergebruik van pijpen waarin R22-koelstof heeft gezeten op het volgende.
 - Vervang de bestaande flensmoeren en tromp de aansluitingsoppervlakken opnieuw op.
 - Gebruik geen dunne pijpen. (Zie 4.1.)
- Bewaar de pijpen die voor de installatie zullen worden gebruikt binnenshuis en laat de verzegeling aan beide uiteinden intact tot vlak voor het solderen. (Laat kniestukken, etc. in hun verpakking.) Het binnendringen van stof, vuil of vocht in de koelstofpijpen kan leiden tot achteruitgang van de olie of compressorstoringen.
- Gebruik esterolie, etherolie of alkylbenzeen (in kleine hoeveelheden) als koelolie om de aansluitingsoppervlakken af te dichten. Vermenging van de koelolie met mineraalolie kan leiden tot achteruitgang van de koelolie.

- Gebruik uitsluitend R410A-koelstof. Bij gebruik van andere koelstoffen veroorzaakt de chloor achteruitgang van de koelolie.
- Gebruik gereedschap dat speciaal is ontworpen voor gebruik met R410A-koelstof. Het volgende gereedschap is vereist. Neem voor vragen contact op met de dichtstbijzijnde dealer.

Gereedschap (voor R410A)	
Verdeelventiel	Optrompgereedschap
Vulslang	Maatafstemmingsmeter
Gaslekdetector	Vacuümpompadapter
Momentsleutel	Elektronische koelstofdrukmeter

- Gebruik uitsluitend de juiste gereedschappen. Het binnendringen van stof, vuil of vocht in de koelstofpijpen kan leiden tot achteruitgang van de koelolie.
- Maak geen gebruik van een vulcilinder. Het gebruik van een vulcilinder leidt tot veranderingen in de samenstelling van de koelstof, waardoor de efficiëntie wordt verminderd.

2. Plaats

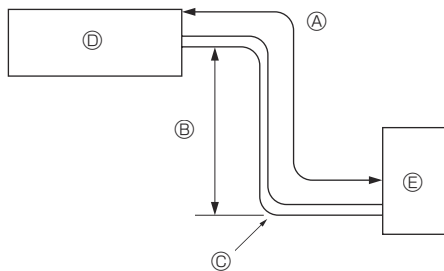


Fig. 2-1

2.1. Koelpijpen (Fig. 2-1)

- Controleer dat het verschil in hoogte tussen het binnen- en het buitenapparaat, de lengte van de koelpijpen en het aantal bochten in de leidingen binnen de limieten zoals in onderstaande tabel aangegeven vallen.

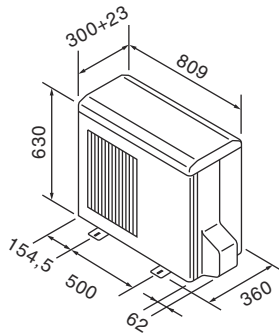
Model	Ⓐ Pijplengte (1 richting)	Ⓑ Hoogteverschil	Ⓒ Aantal bochten benden (1 richting)
SW50	2 m - 40 m	Max. 30 m	Max. 15
SW75	2 m - 40 m	Max. 30 m	Max. 15
SW100, 120	2 m - 75 m	Max. 30 m	Max. 15

- De begrenzingen voor het hoogteverschil zijn voor alle opstellingen van binnen- en buitenunits bindend, onafhankelijk van het feit welk apparaat hoger opgesteld wordt.

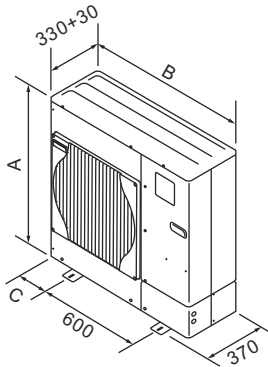
- Ⓓ Binnenapparaat
- Ⓔ Buitenapparaat

2. Plaats

■ SW50



■ SW75, 100, 120



Model	A (mm)	B (mm)	C (mm)
SW75	943	950	175
SW100	1350	950	175
SW120	1350	950	175

Fig. 2-2

(mm)

2.2. De installatieplaats voor het buitenapparaat kiezen

- Vermijd plaatsen die worden blootgesteld aan direct zonlicht of andere warmtebronnen.
- Kies een plaats waar niemand last heeft van het geluid van het apparaat.
- Kies een plaats die eenvoudige aansluiting van de elektrische bedrading en pijpen naar het binnenapparaat mogelijk maakt.
- Vermijd plaatsen waar brandbare gassen worden geproduceerd of kunnen lekken, stromen of samenstromen.
- Houd er rekening mee dat er tijdens de werking water uit het apparaat kan druppelen.
- Kies een vlakke constructie die bestand is tegen het gewicht en de trillingen van het apparaat.
- Vermijd plaatsen waar het apparaat door sneeuw kan worden bedekt. In sneeuwrijke gebieden moeten speciale maatregelen worden getroffen zoals het verhogen van de installatieplaats of het plaatsen van een afdak om te voorkomen dat de sneeuw in of tegen de luchtinlaat terechtkomt. De sneeuw kan de normale luchtstroom bemoeilijken en storingen veroorzaken.
- Vermijd plaatsen die worden blootgesteld aan olie, stoom of zwavelgas.
- Gebruik de tilhandgrepen van het buitenapparaat om het apparaat te verplaatsen. Als het apparaat van onderen wordt beetgepakt, kunnen verwondingen ontstaan aan de handen of vingers.

2.3. Buitenafmetingen (Buitenapparaat) (Fig. 2-2)

2.4. Ventilatie en bereikbaarheid

2.4.1. Installatie op winderige plaatsen

Als het buitenapparaat wordt geïnstalleerd op een dak of een andere plaats waar de wind vrij spel heeft, moet de luchtuitlaat van het apparaat zo worden gericht dat deze niet rechtstreeks blootstaat aan krachtige windstoten. Krachtige windstoten die de luchtuitlaat binnendringen kunnen de normale luchtstroom bemoeilijken en storingen veroorzaken.

Hieronder volgen drie manieren om het apparaat tegen krachtige windstoten te beschermen.

- ① Richt de luchtuitlaat naar de dichtstbijzijnde muur, op ongeveer 50 cm van de muur. (Fig. 2-3)
- ② Installeer een optionele luchtgeleider als het apparaat wordt geïnstalleerd op een plaats waar krachtige windstoten bij storm etc. rechtstreeks de luchtuitlaat kunnen binnendringen. (Fig. 2-4)
 - Ⓐ Luchtgeleider
- ③ Plaats het apparaat indien mogelijk zo dat de luchtuitlaat in dezelfde richting blaast als de seizoenswinden. (Fig. 2-5)
 - Ⓐ Windrichting

2.4.2. Bij installatie van één buitenapparaat (Raadpleeg de laatste pagina)

De minimale afmetingen zijn als volgt aangegeven, behalve voor Max., hetgeen betekent de Maximale afmetingen.

De getallen tussen haakjes gelden voor de SW100, 120-modellen.

Raadpleeg voor alle gevallen de getallen.

- ① Alleen obstakels aan de achterzijde (Fig. 2-6)
- ② Alleen obstakels aan de achter- en bovenzijde (Fig. 2-7)
 - Maak geen gebruik van de optionele luchtgeleiders voor een opwaartse luchtstroom.
- ③ Alleen obstakels aan de achterzijde en de zijkanten (Fig. 2-8)
 - * 350 voor de SW50
- ④ Alleen obstakels aan de voorzijde (Fig. 2-9)
 - * Bij gebruik van een optionele uitlaatluchtgeleider moet de vrije ruimte voor de modellen SW100, 120 ten minste 500 mm bedragen.
- ⑤ Alleen obstakels aan de voor- en achterzijde (Fig. 2-10)
 - * Bij gebruik van een optionele uitlaatluchtgeleider moet de vrije ruimte voor de modellen SW100, 120 ten minste 500 mm bedragen.
- ⑥ Alleen obstakels aan de achter- en bovenzijde en de zijkanten (Fig. 2-11)
 - * 350 voor de SW50
 - Maak geen gebruik van de optionele luchtgeleiders voor een opwaartse luchtstroom.

2.4.3. Bij installatie van meerdere buitenapparaten (Raadpleeg de laatste pagina)

Laat een ruimte van minimaal 350 mm (SW50) of minimaal 10 mm (SW75-120) tussen de units.

De getallen tussen haakjes gelden voor de SW100, 120-modellen.

Raadpleeg voor alle gevallen de getallen.

- ① Alleen obstakels aan de achterzijde (Fig. 2-12)
- ② Alleen obstakels aan de achter- en bovenzijde (Fig. 2-13)
 - Installeer niet meer dan drie apparaten naast elkaar. Laat bovendien ruimte vrij zoals afgebeeld.
 - Maak geen gebruik van de optionele luchtgeleiders voor een opwaartse luchtstroom.
- ③ Alleen obstakels aan de voorzijde (Fig. 2-14)
 - * Bij gebruik van een optionele uitlaatluchtgeleider moet de vrije ruimte voor de modellen SW100, 120 ten minste 1000 mm bedragen.
- ④ Alleen obstakels aan de voor- en achterzijde (Fig. 2-15)
 - * Bij gebruik van een optionele uitlaatluchtgeleider moet de vrije ruimte voor de modellen SW100, 120 ten minste 1000 mm bedragen.
- ⑤ Opstelling met één parallel apparaat (Fig. 2-16)
 - * Bij gebruik van een optionele uitlaatluchtgeleider voor een opwaartse luchtstroom moet de vrije ruimte ten minste 500 (1000) mm bedragen.
- ⑥ Opstelling met meerdere parallelle apparaten (Fig. 2-17)
 - * Bij gebruik van een optionele uitlaatluchtgeleider voor een opwaartse luchtstroom moet de vrije ruimte ten minste 1000 (1500) mm bedragen.
- ⑦ Opstelling met boven elkaar geplaatste apparaten (Fig. 2-18)
 - Er kunnen twee apparaten boven elkaar worden geplaatst.
 - Installeer niet meer dan twee boven elkaar geplaatste apparaten naast elkaar. Laat bovendien ruimte vrij zoals afgebeeld.

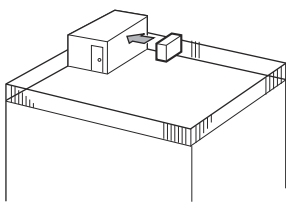


Fig. 2-3

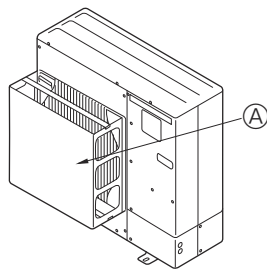


Fig. 2-4

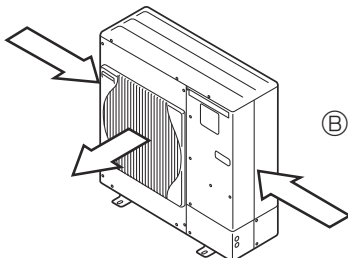
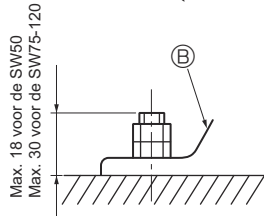
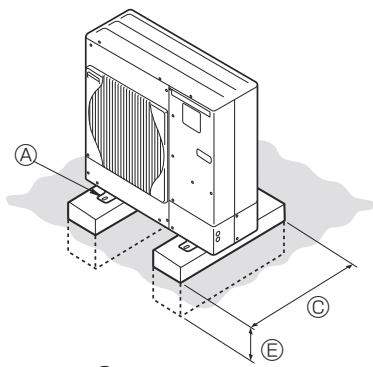


Fig. 2-5

3. Het buitenapparaat installeren



- Ⓐ M10 (3/8") bout
- Ⓑ Basis
- Ⓒ Zo lang mogelijk.
- Ⓓ Uitstroomopening
- Ⓔ Zet diep in de grond

(mm)

- Zorg ervoor dat de eenheid op een stevig, waterpas oppervlak wordt geïnstalleerd om geratel tijdens het gebruik te voorkomen. (Fig. 3-1)

<Specificaties voor de fundering>

Funderingsbout	M10 (3/8")
Dikte van het beton	120 mm
Lengte van de bout	70 mm
Draagkracht	320 kg

- Zorg dat de lengte van de funderingsbout op een afstand van minder dan 30 mm van de onderkant van de basis komt.
- Zet de basis van de eenheid stevig vast met vier M10-funderingsbouten op een stevige ondergrond.

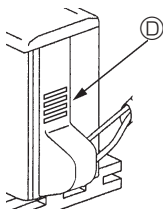
Installatie van het buitenapparaat

- Laat de uitstroomopening vrij. Als de uitstroomopening wordt geblokkeerd wordt de werking van het apparaat bemoeilijkt, waardoor storingen kunnen ontstaan.
- Gebruik naast de basis van het apparaat de installatieopeningen aan de achterzijde om waar nodig bedrading etc. te bevestigen. Gebruik zelftappende schroeven (ø5 × 15 mm of minder).

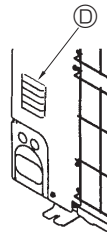
⚠ Waarschuwing:

- Het apparaat moet worden geïnstalleerd op een constructie die het gewicht ervan kan dragen. Als het apparaat wordt geïnstalleerd op een instabiele constructie, kan het vallen en schade of letsel veroorzaken.
- Het apparaat dient volgens de instructies te worden geïnstalleerd om het risico op beschadiging bij een aardbeving of storm te beperken. Een onjuist geïnstalleerd apparaat kan vallen en schade of letsel veroorzaken.

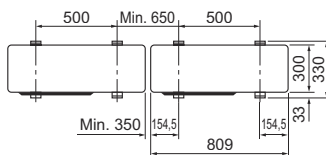
■ SW50



■ SW75-120



■ SW50



■ SW75-120

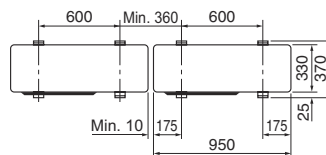


Fig. 3-1

4. Installeren van de koelstofleidingen

4.1. Voorzorgsmaatregelen voor apparaten die gebruikmaken van R410A-koelstof

- Zie 1.4. voor niet hieronder vermelde voorzorgsmaatregelen voor buitenapparaten die gebruikmaken van R410A-koelstof.
- Gebruik esterolie, etherolie of alkylbenzeen (in kleine hoeveelheden) als koelolie om de aansluitingsoppervlakken af te dichten.
- Gebruik fosforhoudende, zuurstofarme, naadloze C1220-pijpen van koper of koperlegeringen als koelstofpijpen. Gebruik koelstofpijpen van de in de onderstaande tabel aangegeven dikte. Controleer of de binnenkant van de pijpen schoon is en vrij van schadelijke stoffen zoals zwavelverbindingen, oxidanten, vuil of stof.
Gebruik altijd niet-oxiderend soldeer wanneer u de pijpen soldeert, anders raakt de compressor beschadigd.

⚠ Waarschuwing:

Gebruik bij het installeren of verplaatsen van het apparaat uitsluitend de voorgeschreven koelstof (R410A) voor het vullen van de koelstofpijpen. Meng de koelstof niet met andere koelstoffen en let erop dat er geen lucht in de pijpen achterblijft.

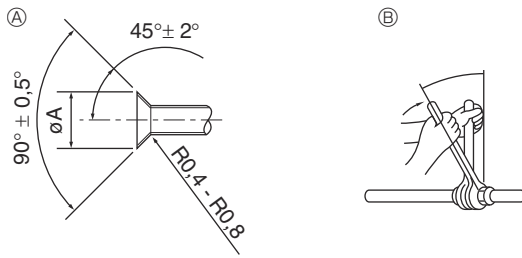
Als de koelstof wordt gemengd met lucht, kan dit een uitzonderlijk hoge druk in de koelstofpijp tot gevolg hebben. Dit kan resulteren in explosiegevaar en andere gevaren.

Als er een andere koelstof wordt gebruikt dan de voorgeschreven koelstof, heeft dit mechanische storingen, storingen van het systeem of uitvallen van het apparaat tot gevolg. In het ergste geval kan de veiligheid van het product ernstig in gevaar komen.

Afmeting pijp (mm)	φ6,35	φ9,52	φ12,7	φ15,88	φ19,05	φ22,2	φ25,4	φ28,58
Dikte (mm)	0,8	0,8	0,8	1,0	1,0	1,0	1,0	1,0

- Gebruik geen dünnere pijpen dan hierboven aangegeven.
- Gebruik 1/2 H- of H-leidingen als de diameter 22,2 mm of groter is.

4. Installeren van de koelstofleidingen



A) Afsnijmaten tromp
B) Aanhaalmoment flensmoer

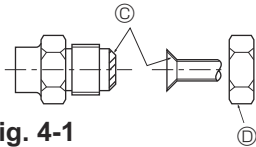


Fig. 4-1

A) (Fig. 4-1)

Buitendiameter koperen pijp (mm)	Afmetingen tromp ϕA (mm)
$\phi 6,35$	8,7 - 9,1
$\phi 9,52$	12,8 - 13,2
$\phi 12,7$	16,2 - 16,6
$\phi 15,88$	19,3 - 19,7
$\phi 19,05$	23,6 - 24,0

B) (Fig. 4-1)

Buitendiameter koperen pijp (mm)	Buitendiameter flensmoer (mm)	Aanhaalmoment (N·m)
$\phi 6,35$	17	14 - 18
$\phi 6,35$	22	34 - 42
$\phi 9,52$	22	34 - 42
$\phi 12,7$	26	49 - 61
$\phi 12,7$	29	68 - 82
$\phi 15,88$	29	68 - 82
$\phi 15,88$	36	100 - 120
$\phi 19,05$	36	100 - 120

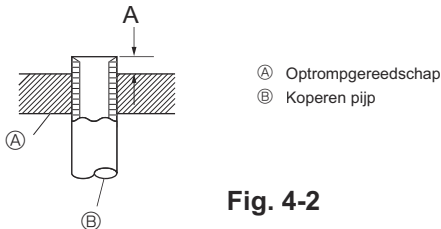


Fig. 4-2

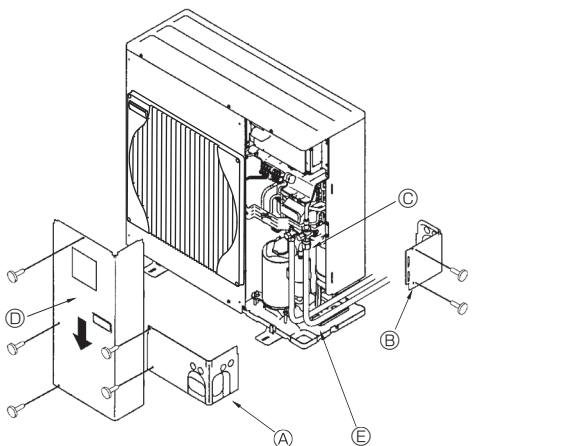


Fig. 4-3

A) Pijpbedekking aan voorzijde
B) Pijpbedekking
C) Afsluitkraan
D) Onderhoudspaneel
E) Buigstraal : 100 mm - 150 mm

4.2. Aansluiten van de pijpen (Fig. 4-1)

- Als u koperen pijpen gebruikt, moet u de vloeistof- en gaspijpen met isolatiemateriaal bekleden (hittebestendig tot 100°C, dikte van 12 mm of meer). Direct contact met de onbedekte leidingen kan leiden tot brandwonden of bevrozing.
- De delen van de afvoerpipen die binnenshuis lopen, moeten worden bekleden met isolatiemateriaal van polyethyleenschuim (relatieve dichtheid 0,03, dikte 9 mm of meer).
- Doe een dun laagje koelmachineolie op de leiding en het aansluitingsoppervlak voordat u de "flare"-moer vastdraait. A)
- Draai met gebruik van twee pijptangen de aansluitende leidingen vast. B)
- Gebruik, nadat alle aansluitingen gemaakt zijn, een lekkagedetector of zeepsop om te controleren of er gaslekken zijn.
- Breng koelolie aan op de aansluitingsoppervlakken. C)
- Gebruik de flensmoeren voor de volgende pijpafmetingen. D)

		SW50	SW75	SW100, 120
Gaszijde	Afmeting leiding (mm)	$\phi 12,7$	$\phi 15,88$	$\phi 15,88$
Vloeistofzijde	Afmeting leiding (mm)	$\phi 6,35$	$\phi 9,52$	$\phi 9,52$

- Let er bij het buigen van de pijpen op dat u deze niet breekt. Een buigstraal van 100 mm tot 150 mm is voldoende.
- Let erop dat de pijpen de compressor niet raken. Hierdoor kunnen ongewone geluiden of trillingen ontstaan.
- Begin met het aansluiten van de pijpen bij het binnenapparaat. Trek de flensmoeren aan met een momentsleutel.
- Tromp de vloeistof- en gaspijpen op en breng een dun laagje koelolie aan op de aansluitingsoppervlakken.
- Als een gewoon pijpafdichtmiddel wordt gebruikt, zie dan Tabel 1 voor het optrompen van R410A-koelstofpijpen. Gebruik de maatafstemmingsmeter om de afmetingen A te controleren.

Tabel 1 (Fig. 4-2)

Buitendiameter koperen pijp (mm)	A (mm)
	Trompgereedschap voor R410A
$\phi 6,35$ (1/4")	0 - 0,5
$\phi 9,52$ (3/8")	0 - 0,5
$\phi 12,7$ (1/2")	0 - 0,5
$\phi 15,88$ (5/8")	0 - 0,5
$\phi 19,05$ (3/4")	0 - 0,5

⚠ Waarschuwing:

Als u het apparaat installeert, zet de koelmiddelleidingen dan stevig vast voordat u de compressor start.

4.3. Koelleidingen (Fig. 4-3)

- Voor de SW50
Verwijder het onderhoudspaneel D (1 schroef).
- Voor de SW75-120
Verwijder het onderhoudspaneel D (3 schroeven) en de pijpafdekkingen aan de voorzijde A (2 schroeven) en de achterzijde B (2 schroeven: SW75) (4 schroeven: SW100, 120).
- Maak de verbindingen van de koelstofleidingen voor het binnen-/buitenapparaat als het afsluitkraan van het buitenapparaat geheel gesloten is.
- Ontlucht de binnenuit en de verbindingen.
- Controleer na het aansluiten van de koelstofpijpen de pijpen en het binnenapparaat op gaslekage. (Zie 4.4 'Luchtdichtheid van de koelstofpijpen testen'.)
- Zet een sterke vacuümpomp op de dienstopening van de afsluitkraan en handhaaf nadat u -101 kPa (5 Torr) bereikt het vacuüm voldoende lang (minstens een uur) om de binnenzijde van de pijpen te vacuümdrogen. Controleer de mate van vacuüm altijd op het verdeelventiel. Als er nog vocht in de pijp zit, wordt de mate van vacuüm soms niet bereikt in een korte tijd van vacuüm toepassen. Zet na het vacuümdrogen de afsluitkranen (van zowel vloeistof als gas) voor het buitenapparaat geheel open. Hierdoor worden de koelstofpijpen van binnen- en buitenapparaat volledig met elkaar verbonden.
 - Indien u onvoldoende vacuümdroogt, blijven lucht en waterdamp achter in de koelstofpijpen wat kan leiden tot abnormale stijging van hoge druk, abnormale daling van lage druk, achteruitgang van de koelmachineolie door vocht, etc.
 - Als het apparaat wordt ingeschakeld terwijl de afsluitkranen nog gesloten zijn, zullen de compressor en de regelkraan beschadigd raken.
 - Gebruik een lekdetector of zeepsop om de pijpverbindingen van het buitenapparaat te controleren.
 - Gebruik niet de koelstof uit het apparaat voor het verwijderen van lucht uit de koelstofleidingen.
 - Trek na voltooiing van de procedure de kraandoppen aan tot het juiste aanhaalmoment: 20 tot 25 N·m (200 tot 250 kgf·cm). Als de doppen niet worden teruggeplaatst en aangetrokken, kan koelstoflekage optreden. Let erop dat de binnenzijde van de kraandoppen niet wordt beschadigd, aangezien deze werken als een afdichting die koelstoflekage voorkomt.
- Dicht de uiteinden van het isolatiemateriaal bij de pijpverbindingen af met afdichtmiddel om te voorkomen dat er water onder het isolatiemateriaal doordringt.

4. Installeren van de koelstofleidingen

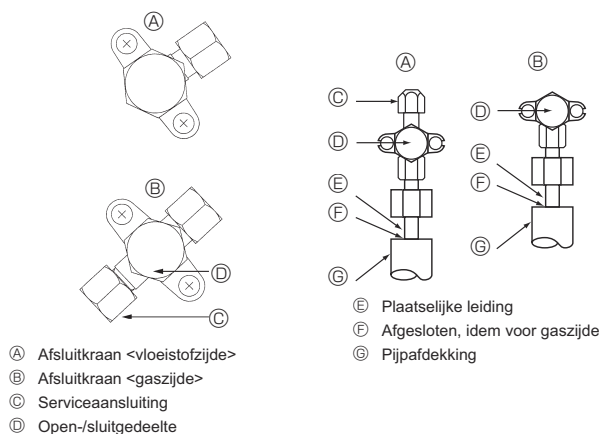


Fig. 4-4

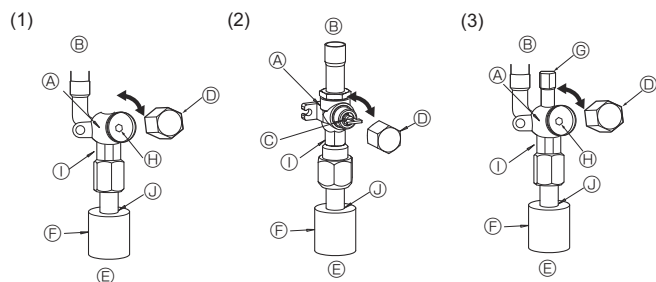


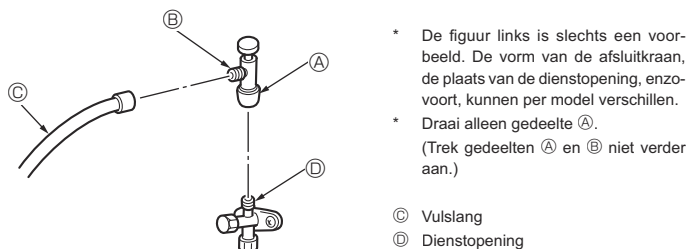
Fig. 4-5

Fig. 4-6

Fig. 4-7

- A Kraan
- B Zijde van het apparaat
- C Handgreep
- D Kap
- E Zijde van de plaatselijke leiding
- F Pijpbedekking
- G Serviceaansluiting
- H Sleutelgat

- I Voor twee sleutels
(Gebruik alleen hier een sleutel. Op andere plaatsen veroorzaakt u daarmee koelstoflekages.)
- J Af te dichten
(Dicht het einde van het isolatiemateriaal bij de pijpverbinding af met een afdichtmiddel dat u voorhanden heeft zodat geen water het isolatiemateriaal binnendringt.)



- * De figuur links is slechts een voorbeeld. De vorm van de afsluitkraan, de plaats van de dienstopening, enzovoort, kunnen per model verschillen.
- * Draai alleen gedeelte A.
(Trek gedeelten A en B niet verder aan.)

- C Vulslang
- D Dienstopening

Fig. 4-8

4.6. Bijvullen van koelmiddel

- Als de pijplengte voor het apparaat minder bedraagt dan 10 m is bijvullen niet nodig.
- Als de pijplengte meer dan 10 m bedraagt dient u het apparaat met extra R410A-koelmiddel te vullen, in overeenstemming met de toegestane leidinglengtes volgens de onderstaande tabel.
- * Zet als het apparaat is gestopt onderdruk op de verlengstukken en het binnenapparaat en vul het apparaat bij met koelstof via de vloeistofafsluitkraan.
Voeg als het apparaat in werking is koelstof toe via de gaskeerklep met behulp van een veiligheidsvulapparaat. Vul niet rechtstreeks vloeibare koelstof bij via de keerklep.
- * Noteer na het bijvullen van het apparaat de hoeveelheid bijgevulde koelstof op het aan het apparaat bevestigde onderhoudslabel.
Zie de paragraaf "1.4. Gebruik van buitenapparaten met R410A-koelstof" voor meer informatie.

Model	Toegestane pijplengte	Toegestane verticale verschil	Hoeveelheid bij te vullen koelstof					
			11 - 20 m	21 - 30 m	31 - 40 m	41 - 50 m	51 - 60 m	61 - 75 m
SW50	2 m - 40 m	-30 m	0,2 kg	0,4 kg	0,6 kg	—	—	—
SW75	2 m - 40 m	-30 m	0,15 kg	0,3 kg	0,6 kg	—	—	—
SW100, 120	2 m - 75 m	-30 m	0,2 kg	0,4 kg	1,0 kg	1,6 kg	2,2 kg	2,8 kg

4.4. Luchtdichtheid van de koelstofpijpen testen (Fig. 4-4)

- (1) Sluit het testgereedschap aan.
 - Controleer of de afsluitkranen A en B zijn gesloten en open deze niet.
 - Zet druk op de koelstofpijpen via dienstopening C van de vloeistofafsluitkraan A.
- (2) Voer de druk niet meteen op tot de opgegeven waarde, maar verhoog deze beetje bij beetje.
 - ① Voer de druk op tot 0,5 MPa (5 kgf/cm²G), wacht vijf minuten en controleer vervolgens of de druk niet terugloopt.
 - ② Voer de druk op tot 1,5 MPa (15 kgf/cm²G), wacht vijf minuten en controleer vervolgens of de druk niet terugloopt.
 - ③ Voer de druk op tot 4,15 MPa (41,5 kgf/cm²G) en meet de omgevingstemperatuur en koelstofdruk.
- (3) Als de gespecificeerde druk ongeveer een dag lang aanwezig blijft en niet terugloopt, zijn de pijpen in orde en zijn er geen lekkages.
 - Als de omgevingstemperatuur verandert met 1°C zal de druk veranderen met ongeveer 0,01 MPa (0,1 kgf/cm²G). Voer de nodige aanpassingen uit.
- (4) Als de druk in stap (2) of (3) terugloopt, is er een gaslek. Zoek het lek.

4.5. Wijze van openen van de afsluitkraan

De wijze van openen van de afsluitkraan varieert met het model buitenapparaat. Open de afsluitkranen op de wijze die in uw situatie van toepassing is.

- (1) Gaszijde van de SW75 (Fig. 4-5)
 - ① Verwijder de kap en draai de kraanstang zo ver mogelijk tegen de klok in met behulp van een 5mm-inbussleutel. Stop met draaien wanneer de nok wordt bereikt.
(ø15,88: Circa 13 omwentelingen)
 - ② Let erop dat de afsluitkraan geheel open is en draai de kap terug naar de oorspronkelijke stand.
- (2) Gaszijde van de SW100, 120 (Fig. 4-6)
 - ① Verwijder de dop, trek het handvat naar u toe en draai dit een kwartslag tegen de klok in om de kraan te openen.
 - ② Let erop dat de afsluitkraan geheel open is, druk de hendel in en draai de kap terug naar de oorspronkelijke stand.
- (3) Vloeistofzijde van de SW75-120 en gas-/vloeistofzijde van de SW50-75 (Fig. 4-7)
 - ① Verwijder de kap en draai de kraanstang zo ver mogelijk tegen de klok in met behulp van een 4mm-inbussleutel. Stop met draaien wanneer de nok wordt bereikt.
(ø9,52: Circa 10 giri)
 - ② Let erop dat de afsluitkraan geheel open is, druk de hendel in en draai de kap terug naar de oorspronkelijke stand.

Isolerende bekleding voor de koelstofleidingen van de SW75-120

- De pijpen kunnen zowel voor als na het aansluiten worden bekled met isolatiemateriaal met een dikte van maximaal ø90. Snij het isolatiemateriaal langs de groef open en breng het op de pijpen aan.

Inlaatopening voor de leidingen van de SW75-120

- Dicht de inlaatopeningen rond de pijpen grondig af met afdichtmiddel of kit. (Als de openingen niet worden gedicht, kan er geluid door hoorbaar zijn of kunnen water en stof het apparaat binnendringen en storingen veroorzaken.)

Voorzorgsmaatregelen voor het gebruik van de vulkraan (Fig. 4-8)

Trek de dienstopening niet overmatig aan tijdens het installeren. Hierdoor kan de binnenkant van de kraan vervormen en los gaan zitten, wat kan leiden tot een gaslek.

Draai nadat u gedeelte B in de gewenste richting hebt geplaatst alleen gedeelte A en trek dit gedeelte aan.

Trek gedeelten A en B niet verder aan, nadat u gedeelte A hebt vastgedraaid.

5. Installatie van Draineerbuisen

Aansluiting van de draineerleidingen van het buitenapparaat

Wanneer een afvoerleiding benodigd is, moet u een aftapbus of een afvoervat (optioneel) gebruiken.

	SW50	SW75	SW100, 120
Aftapbus	PAC-SJ08DS-E	PAC-SG61DS-E	
Afvoervat	PAC-SG63DP-E	PAC-SG64DP-E	

6. Waterleidingwerk

Minimale hoeveelheid water

De volgende hoeveelheid water is voor het watercircuit vereist.

Model	Minimale hoeveelheid water (L)
SW50	22
SW75	32
SW100	43
SW120	54

Neem beschermingsmaatregelen tegen bevriezing, zoals het gebruik van een antivriesoplossing, als u de unit gebruikt in de koelstand bij een lage omgevingstemperatuur (lager dan 0 °C).

7. Elektrische aansluitingen

7.1. Buitenapparaat (Fig. 7-1, Fig. 7-2)

- ① Verwijder het onderhoudspaneel.
- ② Sluit de kabels aan aan de hand van Fig. 7-1 en 7-2.

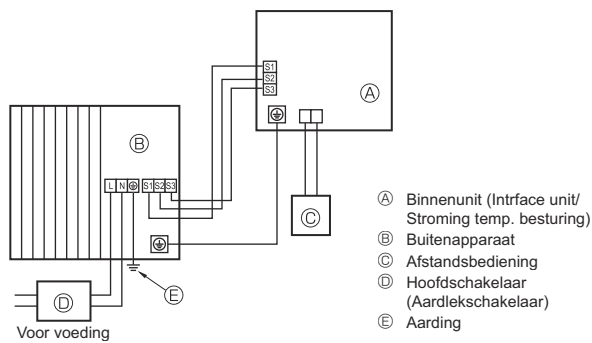
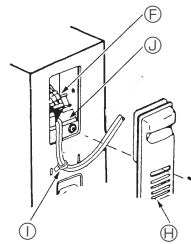
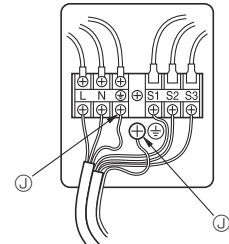


Fig. 7-1

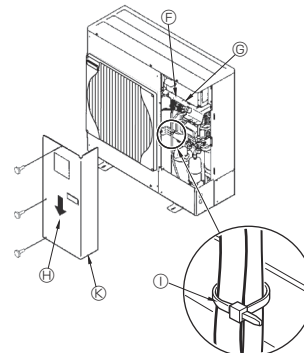
SW50



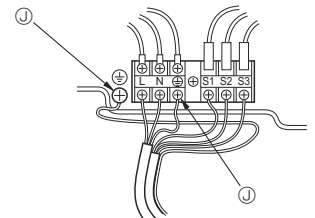
SW50



SW75-120



SW75-120V



SW100, 120Y

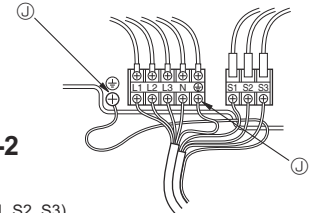


Fig. 7-2

- ⓕ Aansluitblok
- ⓐ Aansluitblok binnen-buitenverbinding (S1, S2, S3)
- ⓓ Onderhoudspaneel
- Ⓛ Klem

* Klem de kabels zo vast dat deze geen contact maken met het midden van het onderhoudspaneel of de gaskraan.

- Ⓧ Aarde-aansluiting
- Ⓨ Leid de kabels zodanig dat ze geen contact maken met het midden van het onderhoudspaneel.

Opmerking:

Als tijdens onderhoud de beschermende laag voor de elektrische kast is verwijderd, dient u deze weer aan te brengen.

⚠ Voorzichtig:

Zorg dat u de N-Line installeert. Zonder N-Line, kan het toestel beschadigd raken

7. Elektrische aansluitingen

7.2. Elektrische bedrading op de plaats van installatie

Model buitenunit	SW50V	SW75V	SW100V	SW120V	SW100, 120Y	
Buitenapparaat voeding	~/N (Eenfase), 50 Hz, 230 V	~/N (Eenfase), 50 Hz, 230 V	~/N (Eenfase), 50 Hz, 230 V	~/N (Eenfase), 50 Hz, 230 V	3N~ (3 fasen, 4 draden), 50 Hz, 400 V	
Ingangsvormen buitenunit Hoofdschakelaar (stroomverbreker) *1	16 A	25 A	32 A	40 A	16 A	
Bedrading Aantal dra- den x dikte in (mm ²)	Buitenapparaat voeding	3 x Min. 1,5	3 x Min. 2,5	3 x Min. 4	3 x Min. 6	5 x Min. 1,5
	Binnenapparaat-Buitenapparaat *2	3 x 1,5 (Polar)	3 x 1,5 (Polar)	3 x 1,5 (Polar)	3 x 1,5 (Polar)	3 x 1,5 (Polar)
	Aarde voor verbindingkabel tussen binnenunit/buitenunit *2	1 x Min. 1,5	1 x Min. 1,5	1 x Min. 1,5	1 x Min. 1,5	1 x Min. 1,5
	Aansluitkabel tussen afstandsbediening en binnenapparaat *3	2 x 0,3 (Geen polariteit)	2 x 0,3 (Geen polariteit)	2 x 0,3 (Geen polariteit)	2 x 0,3 (Geen polariteit)	2 x 0,3 (Geen polariteit)
Nominiaal vermogen stroomkring	Buitenapparaat L-N (Eenfase)	230 V AC	230 V AC	230 V AC	230 V AC	230 V AC
	Buitenapparaat L1-N, L2-N, L3-N (3 fasen)	230 V AC	230 V AC	230 V AC	230 V AC	230 V AC
	Binnenapparaat-Buitenapparaat S1-S2 *4	230 V AC	230 V AC	230 V AC	230 V AC	230 V AC
	Binnenapparaat-Buitenapparaat S2-S3 *4	24 V DC	24 V DC	24 V DC	24 V DC	24 V DC
Aansluitkabel tussen afstandsbediening en binnenapparaat *4	12 V DC	12 V DC	12 V DC	12 V DC	12 V DC	

*1. Gebruik een aardlekschakelaar (NV) met een contactopening van minimaal 3,0 mm per pool.

Let erop dat de stroomonderbreker geschikt is voor de aanwezigheid van hogere harmonischen.

Gebruik altijd een stroomonderbreker die geschikt is voor de aanwezigheid van hogere harmonischen, aangezien dit apparaat is uitgerust met een omvormer.

Een onjuiste stroomonderbreker kan leiden tot verkeerde werking van de omvormer.

*2. Max. 45 m

Bij toepassing van 2,5 mm², max. 50 m

Bij toepassing van 2,5 mm² en gescheiden S3, max. 80 m

*3. De afstandsbediening is voorzien van een kabel van 10 m.

*4. De cijfers zijn NIET altijd van toepassing bij aarding.

S3-terminal heeft 24 V DC in tegenstelling tot S2-terminal. Tussen S3 en S1 zijn deze terminals niet elektrisch geïsoleerd door de transformator of een ander apparaat.

Opmerkingen: 1. De afmeting van de bedrading moet voldoen aan de van toepassing zijnde lokale en nationale norm.

2. De voedingskabels en de verbindingkabels van de binnen- en buitenapparaten mogen niet lichter zijn dan met polychloropreen bekleede flexikabels. (Ontwerp 60245 IEC 57)

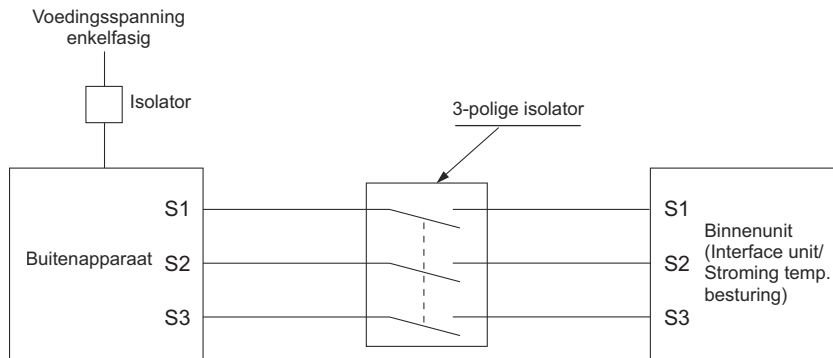
3. Zorg dat u de kabels tussen het interface-apparaat /stroming temp. besturing en het buitenapparaat direct verbindt met de apparaten (geen tussenverbindingen toegestaan).

Tussenverbindingen kunnen resulteren in communicatiefouten. Als water binnendringt bij het tussenverbindingpunt, kan dit leiden tot onvoldoende isolatie voor aarding of een slecht elektronisch contact.

(Als een tussenverbinding nodig is, zorg dan dat u maatregelen neemt om de voorkomen dat water de kabels binnendringt.)

4. Breng een aarding aan die langer is dan de andere kabels.

5. Construeer geen systeem waarvan de stroomtoevoer regelmatig AAN en UIT wordt gezet.



⚠ Waarschuwing:

- Bij het aansluiten van A-control dient u er rekening mee te houden dat er een hoge spanning op aansluiting S3 staat. Dit komt door het ontwerp van het elektrische circuit, dat geen elektrische scheiding kent tussen de leiding van de krachtstroom en de leiding van het communicatiesignaal. Zet daarom de hoofdschakelaar uit als u onderhoud wilt uitvoeren. En raak de aansluitingen S1, S2 en S3 niet aan bij ingeschakelde spanning. Als u tussen het binnen- en buitenapparaat een scheider wilt toepassen, gebruik dan een scheider van het 3-polige type.

V voorkom rookvorming, brand en communicatiestoringen en slijt derhalve de voedingskabel en de kabel tussen het binnen- en buitenapparaat niet.

8. Speciale functies

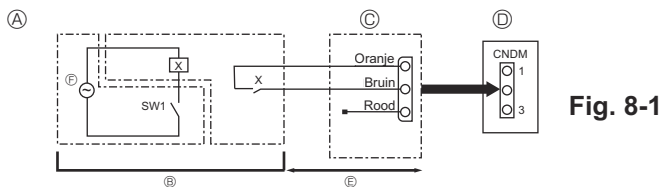


Fig. 8-1

- A Voorbeeld van elektrisch schema (stille werking) D Bedieningspaneel buitenapparaat
 B Indeling ter plaatse E Max. 10 m
 C Externe invoeradapter (PAC-SC36NA-E) F Stroomvoorziening voor relais
 X: Relais

8.1. Stille werking (wijziging ter plaatse) (Fig. 8-1)

Door middel van de volgende aanpassing kan het geluid van het buitenapparaat met ongeveer 3-4 dB worden teruggebracht.

De stille werking kan worden geactiveerd door installatie van een in de handel verkrijgbare timer of het omzetten van een ON/OFF-schakelaar op de CNDM-stekker (afzonderlijk verkrijgbaar) op het bedieningspaneel van het buitenapparaat.

- Het resultaat varieert afhankelijk van de buitentemperatuur, weersomstandigheden etc.
- Breidt het circuit uit zoals afgebeeld bij gebruik van de externe invoeradapter (PAC-SC36NA-E). (Afzonderlijk verkrijgbaar)
 - SW7-1 (Bedieningspaneel buitenapparaat): OFF
 - SW1 op ON: Stille werking
SW1 op OFF: Normale werking

8.2. Terugnemen van de koelstof (leegpompen)

Volg de onderstaande procedures voor het terugnemen van de koelstof bij verplaatsing van het binnen- of buitenapparaat.

- Elektrische voeding (stroomonderbreker).
 - * Controleer als de voeding is ingeschakeld of "CENTRALLY CONTROLLED" wordt weergegeven op de afstandsbediening. Als "CENTRALLY CONTROLLED" wordt weergegeven, kan de koelstof niet op normale wijze worden teruggewonnen.
 - * Ongeveer 3 minuten na het inschakelen van de voeding (netschakelaar) wordt de communicatie tussen de binnen- en buitenapparaat gestart. Start het leegpompen 3 tot 4 minuten na het inschakelen van de voeding (netschakelaar).
 - * In geval van bediening van meerdere units moet de bedrading tussen de hoofd-binnenunit en hulp-binnenunit worden ontkoppeld, voordat de stroom wordt ingeschakeld. Zie de installatiehandleiding van de binnenunit voor details.
- Zet na het sluiten van de vloeistofafsluitkraan de SWP-schakelaar op het bedieningspaneel van het buitenapparaat op ON. De compressor (buitenapparaat) en ventilatoren (binnen- en buitenapparaat) slaat aan en het terugnemen van de koelstof begint. LED1 en LED2 op het bedieningspaneel van het buitenapparaat branden.
 - * Zet de SWP-schakelaar (drukknop) alleen op ON als het apparaat stopt. Zelfs als het apparaat stopt en de SWP-schakelaar op ON wordt gezet binnen 3 minuten nadat de compressor is gestopt, kan het terugnemen van de koelstof niet worden uitgevoerd. Wacht tot de compressor 3 minuten is gestopt en zet vervolgens de SWP-schakelaar weer op ON.

- Sluit de gasafsluitkraan omdat het apparaat, nadat het opvangen van koelmiddel is voltooid (LED1 uit, LED2 brandt), binnen ongeveer 2 tot 3 minuten automatisch stopt. Als LED1 brandt en LED2 uit is en de buitenapparaat gestopt is, wordt het koelmiddel niet goed opgevangen. Open de vloeistofafsluitkraan volledig en herhaal stap ② na 3 minuten.
 - * Als het opvangen van het koelmiddel normaal voltooid is (LED1 uit, LED2 brandt), blijft het apparaat gestopt tot de voeding is uitgeschakeld.
- Schakel de elektrische voeding uit (stroomonderbreker).
 - * Houd er rekening mee dat leegpompen misschien niet kan als de verlengstukken erg lang zijn en er grote hoeveelheden koelmiddel in de verlengstukken zit. Bij het uitvoeren van de pompafschakelprocedure dient u erop te letten dat de lage druk verlaagd wordt naar bijna 0 MPa (meterstand).

⚠ Waarschuwing:

Als u het koelmiddel uit het apparaat pompt, zet de compressor dan uit voordat u de koelmiddelleidingen losmaakt. De compressor kan barsten als er lucht etc. in komt.

9. Systeembediening

Stel het koelstofadres met de dip-schakelaar van de buitenunit in.

SW1 functie-instelling

SW1 instelling	Koelstofadres	SW1 instelling	Koelstofadres
ON OFF 3 4 5 6 7	00	ON OFF 3 4 5 6 7	03
ON OFF 3 4 5 6 7	01	ON OFF 3 4 5 6 7	04
ON OFF 3 4 5 6 7	02	ON OFF 3 4 5 6 7	05

Opmerking:

- Er kunnen maximaal 6 units worden verbonden.
- Kies één model voor alle units.
- Zie de installatiehandleiding van de binnenunit voor de instelling van de dip-schakelaar voor de binnenunit.

10. Specificaties

Buitenmodel		PUHZ-SW50VKA	PUHZ-SW75VHA	PUHZ-SW100VHA	PUHZ-SW120VHA	PUHZ-SW100YHA	PUHZ-SW120YHA
Stroomtoevoer	V / Fase / Hz	230 / Enkel / 50				400 / Drie / 50	
Afmetingen (H x B x D)	mm	809 × 630 × 360	950 × 943 × 330(+30)	950 × 1350 × 330(+30)			
Geluidsniveau *1							
SPL	Verwarming	dB(A)	46	51	54	54	54
	Koeling	dB(A)	46	48	50	51	51
PWL	Verwarming	dB(A)	63	69	70	72	72

*1 Gemeten onder de nominale bedrijfsfrequentie.

Contenido

1. Medidas de Seguridad.....	38	6. Trabajo de las tuberías de agua.....	44
2. Lugar en que se instalará.....	39	7. Trabajo eléctrico.....	44
3. Instalación de la unidad exterior.....	41	8. Funciones especiales.....	46
4. Instalación de los tubos del refrigerante.....	41	9. Control del sistema.....	46
5. Tubería de drenaje.....	44	10. Especificaciones.....	46



Nota: Este símbolo sólo es aplicable para la UE.

Este símbolo es de conformidad con la Directiva 2012/19/EU, Artículo 14: Información para los usuarios, y el Anexo IX.

Su producto MITSUBISHI ELECTRIC está diseñado y fabricado con materiales y componentes de alta calidad que pueden ser reciclados y reutilizados.

Este símbolo significa que el aparato eléctrico y electrónico, al final de su ciclo de vida, se debe tirar separadamente del resto de sus residuos domésticos.

Por favor, deposite este aparato en el centro de recogida/reciclado de residuos de su comunidad local cuando quiera tirarlo.

En la Unión Europea existen sistemas de recogida específicos para productos eléctricos y electrónicos usados.

¡ Ayúdenos a conservar el medio ambiente!

⚠ Cuidado:

- No expulse R410A a la atmósfera:
- R410A es un gas fluorado de efecto invernadero, regulado por el Protocolo de Kyoto, con un potencial de calentamiento global (GWP, Global Warming Potential) de 1975.

1. Medidas de Seguridad

- ▶ Antes de instalar la unidad, asegúrese de haber leído el capítulo de "Medidas de seguridad".
- ▶ Antes de conectar el sistema, informe al servicio de suministro o pídales permiso para efectuar la conexión.

⚠ Atención:

Describe las precauciones que deben tenerse en cuenta para evitar el riesgo de lesiones o muerte del usuario.

⚠ Cuidado:

Describe las precauciones que deben tenerse en cuenta para evitar daños en la unidad.

⚠ Atención:

- El usuario no debe instalar la unidad. La instalación del aire acondicionado debe correr a cargo del distribuidor o técnico autorizado. La instalación incorrecta de la unidad puede provocar escapes de agua, descargas eléctricas o incendios.
- Para la instalación, siga las instrucciones del Manual de instalación y utilice las herramientas y piezas de fontanería específicamente diseñados para utilizar con el refrigerante R410A. El refrigerante R410A en el sistema de HFC puede asimilar una presión 1,6 veces superior a la de los refrigerantes convencionales. Si los accesorios de fontanería que se instalan no están fabricados para el refrigerante R410A, los tubos se pueden quemar y causar daños o lesiones. Además, pueden producirse escapes de agua, descargas eléctricas o incendios.
- La unidad debe instalarse según las instrucciones para reducir posibles daños en caso de terremoto, huracán o vientos fuertes. Si no se instala correctamente, la unidad podría caerse y provocar daños o lesiones.
- La unidad debe instalarse firmemente sobre una estructura capaz de soportar su peso. Si la unidad se instala sobre una estructura inestable, podría caerse y provocar daños o lesiones.
- Si el equipo de la unidad exterior se instala en una sala pequeña deberán tomarse medidas para prevenir que la concentración de refrigerante exceda los límites de seguridad en caso de fugas. Pregunte a un distribuidor por las medidas adecuadas para evitar que la concentración exceda los límites. Si se produce una fuga de refrigerante que sobrepase los límites de concentración, la estancia en la sala puede ser peligrosa por falta de oxígeno.
- Si se produce una fuga de refrigerante durante el funcionamiento, ventile la sala. Si el refrigerante entra en contacto con una llama, se desprenderán gases nocivos.
- Todas las conexiones eléctricas deberán ser realizadas por un técnico cualificado según la normativa local y las instrucciones de este manual. Cada unidad debe tener su línea eléctrica y se deben usar disyuntores y un voltaje correcto. El uso de líneas eléctricas con una capacidad insuficiente o una conexión eléctrica incorrecta puede provocar descargas eléctricas o incendios.
- Utilice tubos de cobre fosforoso del tipo C1220 y tubos de aleación de cobre sin costuras para conectar los tubos del refrigerante. Si los tubos no se conectan correctamente, la unidad no estará bien puesta a tierra y puede provocar descargas eléctricas.

Después de terminar la instalación, explique las "Medidas de Seguridad", funcionamiento y mantenimiento de la unidad al cliente según el Manual de instrucciones y realice una prueba para asegurarse de que funciona correctamente. Entregue una copia del Manual de instalación y del Manual de instrucciones al usuario. Estos manuales deben pasar a usuarios posteriores del equipo.



: Indica una pieza que debe estar conectada a tierra.

⚠ Atención:

Lea atentamente las etiquetas adheridas a la unidad principal.

- Utilice solo cables especificados para el cableado. Las conexiones del cableado se deben realizar con seguridad sin que se ejerza tensión en las conexiones de los terminales. Asimismo, no empalme nunca los cables al realizar el cableado (a menos que se indique lo contrario en este documento). El hecho de no seguir estas instrucciones puede provocar un sobrecalentamiento o un incendio.
- La cubierta del bloque de terminales de la unidad exterior tiene que estar bien sujeta. Si la cubierta no se instala correctamente y el polvo y la humedad entran en la unidad, se pueden producir una descarga eléctrica o un incendio.
- Cuando instale, mueva o revise el equipo de la unidad exterior, utilice solo el refrigerante indicado (R410A) para cargar los tubos del refrigerante. No lo mezcle con otro tipo de refrigerante y vacíe completamente de aire los tubos. Si el aire se mezcla con el refrigerante, podría producir una tensión anormalmente alta en el tubo del refrigerante y ocasionar una explosión u otros peligros. Usar un refrigerante distinto al indicado para el sistema provocará un fallo mecánico, un funcionamiento defectuoso del sistema o la avería de la unidad. En el peor de los casos, podría suponer un grave impedimento para garantizar la seguridad del producto.
- Utilice sólo accesorios autorizados por Mitsubishi Electric y pida a su distribuidor o a un técnico autorizado que se los instale. Si los accesorios no se instalan correctamente, pueden producirse escapes de agua, descargas eléctricas o incendios.
- No modifique la unidad. Para las reparaciones, acuda a su distribuidor. Si las modificaciones o las reparaciones no se realizan correctamente, pueden producirse escapes de agua, descargas eléctricas o incendios.
- El usuario nunca debe intentar reparar la unidad o moverla de sitio. Si la unidad no se instala correctamente, pueden producirse escapes de agua, descargas eléctricas o incendios. Si debe reparar o mover el equipo de la unidad exterior, acuda a su distribuidor o técnico autorizado.
- Tras haber realizado la instalación, compruebe si hay fugas de refrigerante. Si en caso de fuga el refrigerante entra en contacto con las llamas de un calentador o de un equipo de cocina portátil, se desprenderán gases nocivos.

1.1. Cuestiones previas a la instalación

⚠ Cuidado:

- No utilice la unidad en un ambiente enrarecido. Esta unidad exterior no se puede instalar en áreas expuestas a vapor, aceite esencial (incluyendo el aceite para máquinas) o al humo sulfúrico, ni en áreas con alto contenido en sal, como playas, o en zonas donde la nieve pueda cubrir la unidad, ya que pueden reducir significativamente su rendimiento y dañar las piezas internas.
- No instale la unidad donde se puedan verter, producir, circular o acumular gases inflamables. Si se acumula gas inflamable en zonas próximas a la unidad, se podría producir un incendio o una explosión.
- La unidad exterior produce condensación cuando funciona como calefacción. Asegúrese de habilitar drenaje alrededor de la unidad exterior si la condensación puede provocar daños.
- Si instala la unidad en un hospital o en un centro de comunicaciones, recuerde que la unidad produce ruidos e interferencias electrónicas. Los conmutadores, aparatos domésticos, equipos médicos de alta frecuencia y las comunicaciones de radio pueden provocar un mal funcionamiento o la avería del equipo de la unidad exterior. El equipo de la unidad exterior también puede afectar los equipos médicos e interrumpir los cuidados médicos, así como los equipos de comunicación y dañar la calidad de la pantalla.

1. Medidas de Seguridad

1.2. Cuestiones previas a la instalación (reubicación)

⚠ Cuidado:

- Extremar las precauciones al transportar o instalar las unidades. Se necesitan dos o más personas para llevar la unidad porque pesa 20 kg o más. No la sujete por las bandas de embalaje. Utilice guantes protectores para sacar la unidad de la caja y para moverla, ya que se podría lastimar las manos con las aletas o con los bordes de alguna de las piezas.
- Guarde los embalajes en un lugar seguro. Los materiales de embalaje, como clavos y otras piezas de metal o de madera pueden producir pinchazos y otras lesiones.

- La base y los aditamentos de fijación de la unidad exterior deben comprobarse periódicamente para detectar posibles roturas, tuercas flojas o cualquier otro daño que hayan podido sufrir. Si no se solucionan esos problemas, la unidad podría caerse y causar daños o lesiones.
- No limpie con agua el equipo de la unidad exterior. Puede sufrir una descarga eléctrica.
- Apriete las tuercas de abocardado a los niveles recomendados mediante una llave dinamométrica. Si las aprieta demasiado, se pueden romper al cabo de un tiempo y producirse fugas de refrigerante.

1.3. Antes de la instalación eléctrica

⚠ Cuidado:

- Asegúrese de instalar disyuntores. Si no se instalan, se podrían producir descargas eléctricas.
- Use cables estándar de suficiente capacidad para las líneas eléctricas. Si no lo hace así, se podría producir un cortocircuito, un sobrecalentamiento o un incendio.
- Cuando instale las líneas eléctricas, los cables no deben tener corriente. Si las conexiones se aflojan, los cables se podrían cruzar o romper y se podría producir un incendio o un sobrecalentamiento.

- Asegúrese de instalar una toma de tierra. No conecte el cable de tierra a las tomas de tierra de las tuberías de gas o de agua, de postes de iluminación o de teléfono. Si la unidad no está bien conectada a la línea de tierra, se puede producir una descarga eléctrica.
- Utilice disyuntores (interruptor de falta de tierra, interruptor aislante (+fusible B) e interruptores en caja moldeada) con la potencia especificada. Si la potencia del interruptor es mayor que la especificada, puede ocurrir un incendio o una avería.

1.4. Utilización del refrigerante R410A para equipos de la unidad exterior

⚠ Cuidado:

- Utilice tubos de cobre fosforoso del tipo C1220 y tubos de aleación de cobre sin costuras para conectar los tubos del refrigerante. Asegúrese de que el interior de las tuberías está limpio y que no contienen ningún contaminante dañino como compuestos sulfúricos, oxidantes, impurezas o polvo. Utilice tuberías con el grosor especificado. (Consulte la sección 4.1.) Tenga en cuenta lo siguiente si reutiliza tuberías que contenían refrigerante R22.
 - Sustituya las tuercas de abocardado existentes y vuelva a abocardar las secciones abocardadas.
 - No use tuberías de poco grosor. (Consulte la sección 4.1.)
- Almacene las tuberías que se deban instalar en el interior y mantenga los orificios tapados hasta el momento de instalarlas. (Deje las juntas articuladas y otras piezas en sus embalajes.) Si el polvo, los restos o la humedad entran en las tuberías de refrigeración, se puede producir el deterioro del aceite o una avería en el aparato.
- Utilice aceite de éster, de éter o alquilbenceno (en pequeñas cantidades) para recubrir las secciones abocardadas. Si se mezcla aceite mineral con aceite de refrigeración se puede deteriorar el aceite.

- No utilice otro refrigerante que no sea R410A. Si utiliza otro refrigerante, el cloro provocará el deterioro del aceite.
- Utilice las siguientes herramientas especialmente diseñadas para usar con el refrigerante R410A. Se necesitan las siguientes herramientas para utilizar el refrigerante R410A. Si tiene alguna duda, consulte con su distribuidor más cercano.

Herramientas (para R410A)	
Manómetro	Abocardador
Manguera de carga	Ajustador del tamaño
Detector de fugas de gas	Adaptador de la bomba de vacío
Llave dinamométrica	Báscula electrónica de carga del refrigerante

- Asegúrese de utilizar las herramientas adecuadas. Si el polvo, los restos o la humedad entran en las tuberías de refrigeración, se puede producir el deterioro del aceite de refrigeración.
- No utilice un cilindro de carga. Si utiliza un cilindro de carga, variará la composición del refrigerante y no será tan eficaz.

2. Lugar en que se instalará

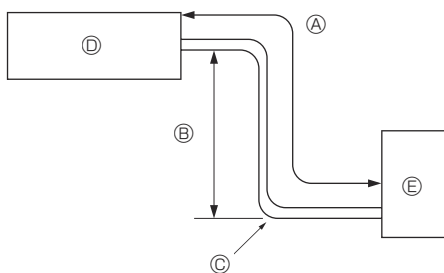


Fig. 2-1

2.1. Tubería de refrigerante (Fig. 2-1)

- Compruebe que la diferencia de altura entre las unidades interior y exterior, la longitud del tubo de refrigerante y la cantidad de codos en la tubería se encuentren dentro de los límites que se indican a continuación.

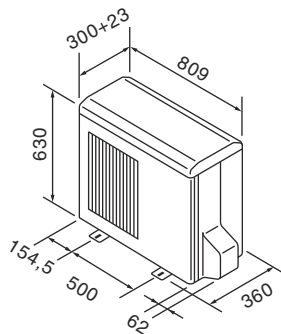
Modelo	(A) Longitud de las tuberías (un sentido)	(B) Diferencia de altura	(C) Número de codos (un sentido)
SW50	2 m - 40 m	Máx. 30 m	Máx. 15
SW75	2 m - 40 m	Máx. 30 m	Máx. 15
SW100, 120	2 m - 75 m	Máx. 30 m	Máx. 15

- La limitación de diferencia de altura se define independientemente de qué unidad, ya sea interior o exterior, esté situada a mayor altura.

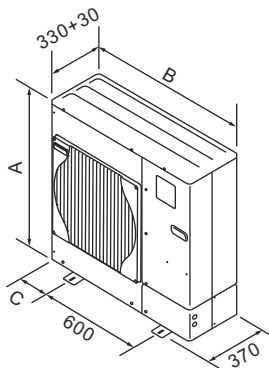
- Ⓧ Unidad interior
- Ⓧ Unidad exterior

2. Lugar en que se instalará

■ SW50



■ SW75, 100, 120



Modelo	A (mm)	B (mm)	C (mm)
SW75	943	950	175
SW100	1350	950	175
SW120	1350	950	175

Fig. 2-2

(mm)

2.2. Elección del lugar de instalación de la unidad exterior

- No instale la unidad en lugares expuestos directamente al sol o a otras fuentes de calor.
- Escoja un lugar donde el ruido de la unidad no moleste a los vecinos.
- Escoja un lugar donde sea fácil instalar el cableado y las tuberías y acceder a la fuente de alimentación y a la unidad exterior.
- No instale la unidad donde se puedan verter, producir, circular o acumular gases inflamables.
- Durante el funcionamiento, la unidad puede perder agua.
- Escoja un lugar nivelado que pueda soportar el peso y la vibración de la unidad.
- No instale la unidad en lugares donde la pueda cubrir la nieve. En zonas propensas a las nevadas intensas, se deben tomar medidas de precaución, como por ejemplo, situar la unidad elevada o instalar una protección en la entrada de aire para evitar que la nieve la obstruya o fluya directamente contra ésta. Esto reduce la corriente de aire e impide que la unidad funcione correctamente.
- No instale la unidad en lugares expuestos a aceite, vapor o humo sulfúrico.
- Utilice las asas de transporte de la unidad exterior para transportarla. Si transporta la unidad tomándola por la parte inferior se podría lesionar las manos o los dedos.

2.3. Dimensiones exteriores (Unidad exterior) (Fig. 2-2)

2.4. Ventilación y espacio de servicio

2.4.1. Instalación en lugares expuestos al viento

Cuando instale una unidad en el tejado o en otros lugares desprotegidos del viento, la salida de aire de la unidad no debe quedar expuesta directamente al viento fuerte. Si el viento fuerte entra en la salida de aire puede impedir la circulación normal del aire y causar un mal funcionamiento.

A continuación se muestran tres ejemplos de precauciones a tomar contra el viento fuerte.

- ① Coloque la salida de aire de frente a la pared más próxima a una distancia de unos 50 cm de ella. (Fig. 2-3)
- ② Si la unidad está situada en un lugar expuesto a vientos fuertes como huracanes, etc. que puedan entrar en la salida de aire, coloque una guía opcional de aire. (Fig. 2-4)
 - Ⓐ Guía de aire
- ③ Coloque la unidad de manera que la salida de aire sople en dirección perpendicular a la dirección estacional del viento, si la conoce. (Fig. 2-5)
 - Ⓑ Dirección del viento

2.4.2. Cuando se instala una unidad exterior simple (Consulte la página anterior)

Las dimensiones mínimas son las siguientes, excepto para máx. (dimensiones máximas), las cuales también están indicadas.

Las cifras que aparecen en paréntesis son para los modelos SW100, 120.

Consulte los números correspondientes para cada caso.

- ① Obstáculos sólo en la parte trasera (Fig. 2-6)
- ② Obstáculos sólo en la parte trasera y superior (Fig. 2-7)
 - No utilice las guías para salida de aire opcionales para corriente de aire hacia arriba.
- ③ Obstáculos sólo en la parte trasera y los laterales (Fig. 2-8)
 - * 350 para SW50
- ④ Obstáculos sólo en la parte delantera (Fig. 2-9)
 - * Si utiliza una guía para salida de aire opcional, el espacio libre para los modelos SW100, 120 debe ser de 500 mm o más.
- ⑤ Obstáculos sólo en la parte delantera y trasera (Fig. 2-10)
 - * Si utiliza una guía para salida de aire opcional, el espacio libre para los modelos SW100, 120 debe ser de 500 mm o más.
- ⑥ Obstáculos sólo en la parte trasera, los laterales y superior (Fig. 2-11)
 - * 350 para SW50
 - No utilice las guías para salida de aire opcionales para corriente de aire hacia arriba.

2.4.3. Cuando instale varias unidades exteriores (Consulte la página anterior)

Deje 350 mm para SW50 y 10 mm para SW75-120 de holgura o más entre las unidades.

Las cifras que aparecen en paréntesis son para los modelos SW100, 120.

Consulte los números correspondientes para cada caso.

- ① Obstáculos sólo en la parte trasera (Fig. 2-12)
- ② Obstáculos sólo en la parte trasera y superior (Fig. 2-13)
 - No se deben instalar más de tres unidades correlativas. Además, se debe dejar el espacio indicado.
 - No utilice las guías para salida de aire opcionales para corriente de aire hacia arriba.
- ③ Obstáculos sólo en la parte delantera (Fig. 2-14)
 - * Si utiliza una guía para salida de aire opcional, el espacio libre para los modelos SW100, 120 debe ser de 1000 mm o más.
- ④ Obstáculos sólo en la parte delantera y trasera (Fig. 2-15)
 - * Si utiliza una guía para salida de aire opcional, el espacio libre para los modelos SW100, 120 debe ser de 1000 mm o más.
- ⑤ Disposición en paralelo de unidades simples (Fig. 2-16)
 - * Si utiliza una guía para salida de aire opcional instalada para que el aire salga hacia arriba, el espacio libre debe ser de 500 (1000) mm o más.
- ⑥ Disposición en paralelo de varias unidades (Fig. 2-17)
 - * Si utiliza una guía para salida de aire opcional instalada para que el aire salga hacia arriba, el espacio libre debe ser de 1000 (1500) mm o más.
- ⑦ Disposición de unidad apilada (Fig. 2-18)
 - Se pueden apilar hasta dos unidades de altura.
 - No se deben instalar más de dos unidades correlativas. Además, se debe dejar el espacio indicado.

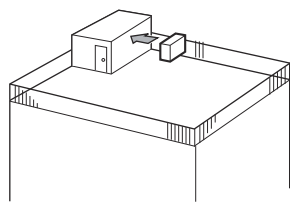


Fig. 2-3

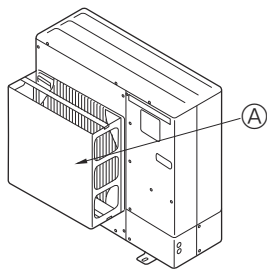


Fig. 2-4

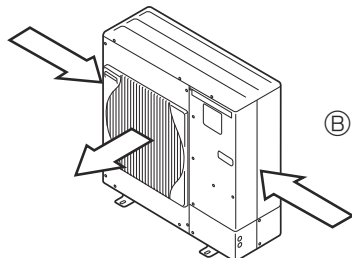
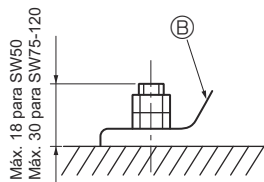
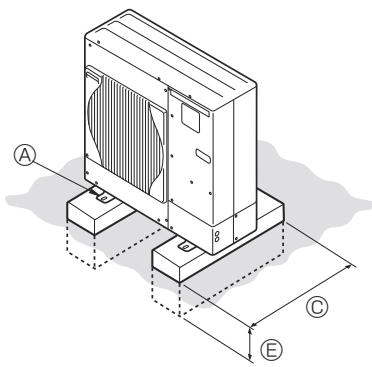


Fig. 2-5

3. Instalación de la unidad exterior



- (A) Perno M10 (3/8")
- (B) Base
- (C) Lo más largo posible.
- (D) Salida de aire
- (E) Introdúzcalo bien en el suelo

(mm)

- Cerciórese de instalar la unidad en una superficie robusta y nivelada para evitar los ruidos de traqueteo durante la operación. (Fig. 3-1)

<Especificaciones de la cimentación>

Perno de cimentación	M10 (3/8")
Grosor del hormigón	120 mm
Longitud del perno	70 mm
Capacidad de soporte de peso	320 kg

- Cerciórese de que la longitud del perno de cimentación esté dentro de 30 mm de la superficie inferior de la base.
- Asegure firmemente la base de la unidad con cuatro pernos de cimentación M10 en lugares robustos.

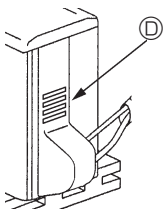
Instalación de la unidad exterior

- No obstruya la salida de aire. Si se obstruye la salida de aire, se puede dificultar el funcionamiento del aparato y puede causar una avería.
- Además de la base de la unidad, utilice los orificios de instalación situados en la parte trasera de la unidad para añadirle cables u otros elementos necesarios para instalar la unidad. Utilice tirafondos (ø5 × 15 mm o menos) para instalar el equipo.

⚠ Atención:

- La unidad debe instalarse firmemente sobre una estructura capaz de soportar su peso. Si la unidad se instala sobre una estructura inestable, podría caerse y provocar daños o lesiones.
- La unidad debe instalarse según las instrucciones para reducir posibles daños en caso de terremoto, huracán o vientos fuertes. Si no se instala correctamente, la unidad podría caerse y provocar daños o lesiones.

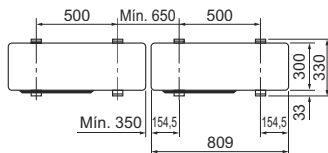
■ SW50



■ SW75-120



■ SW50



■ SW75-120

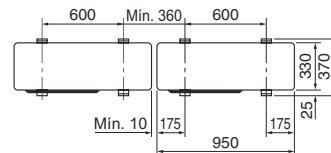


Fig. 3-1

4. Instalación de los tubos del refrigerante

4.1. Precauciones a tomar en equipos que utilicen el refrigerante R410A

- Consulte la sección 1.4. para las precauciones a tomar en equipos que utilicen el refrigerante R410A y que no se encuentren a continuación.
- Utilice aceite de éster, de éter o alquilobenceno (en pequeñas cantidades) para recubrir las secciones abocardadas.
- Utilice tubos de cobre fosforoso del tipo C1220 y tubos de aleación de cobre sin costuras para conectar los tubos del refrigerante. Utilice tuberías para refrigerante del grosor especificado en la tabla siguiente. Asegúrese de que el interior de las tuberías está limpio y que no contienen ningún contaminante nocivo como compuestos sulfúricos, oxidantes, restos o polvo.
Al soldar los tubos, realice siempre una soldadura no oxidante; de lo contrario, el compresor sufrirá daños.

⚠ Atención:

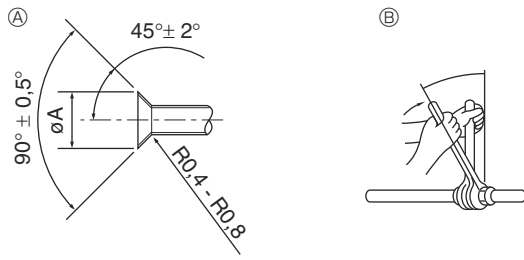
Cuando instale, mueva o revise el equipo de la unidad exterior, utilice solo el refrigerante indicado (R410A) para cargar los tubos del refrigerante. No lo mezcle con otro tipo de refrigerante y vacíe completamente de aire los tubos. Si el aire se mezcla con el refrigerante, podría producir una tensión anormalmente alta en el tubo del refrigerante y ocasionar una explosión u otros peligros.

Usar un refrigerante distinto al indicado para el sistema provocará un fallo mecánico, un funcionamiento defectuoso del sistema o la avería de la unidad. En el peor de los casos, podría suponer un grave impedimento para garantizar la seguridad del producto.

Tamaño de la tubería (mm)	ø6,35	ø9,52	ø12,7	ø15,88	ø19,05	ø22,2	ø25,4	ø28,58
Grosor (mm)	0,8	0,8	0,8	1,0	1,0	1,0	1,0	1,0

- No utilice tubos con un grosor menor del especificado a continuación.
- Utilice tubos en forma de H o media H si el diámetro es de 22,2 mm o mayor.

4. Instalación de los tubos del refrigerante



Ⓐ Dimensiones del corte abocinado
Ⓑ Torsión de apriete de la tuerca abocardada

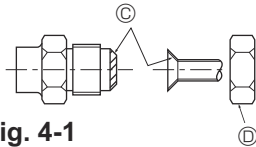


Fig. 4-1

Ⓐ (Fig. 4-1)

Tubo de cobre O.D. (mm)	Dimensiones de abocinado dimensiones ϕA (mm)
$\phi 6,35$	8,7 - 9,1
$\phi 9,52$	12,8 - 13,2
$\phi 12,7$	16,2 - 16,6
$\phi 15,88$	19,3 - 19,7
$\phi 19,05$	23,6 - 24,0

Ⓑ (Fig. 4-1)

Tubo de cobre O.D. (mm)	Tuerca de abocardado O.D. (mm)	Torsión de apriete (N·m)
$\phi 6,35$	17	14 - 18
$\phi 6,35$	22	34 - 42
$\phi 9,52$	22	34 - 42
$\phi 12,7$	26	49 - 61
$\phi 12,7$	29	68 - 82
$\phi 15,88$	29	68 - 82
$\phi 15,88$	36	100 - 120
$\phi 19,05$	36	100 - 120

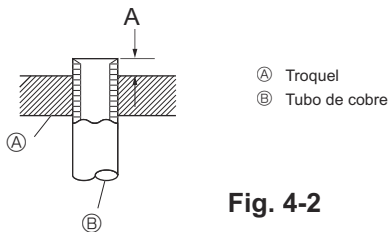


Fig. 4-2

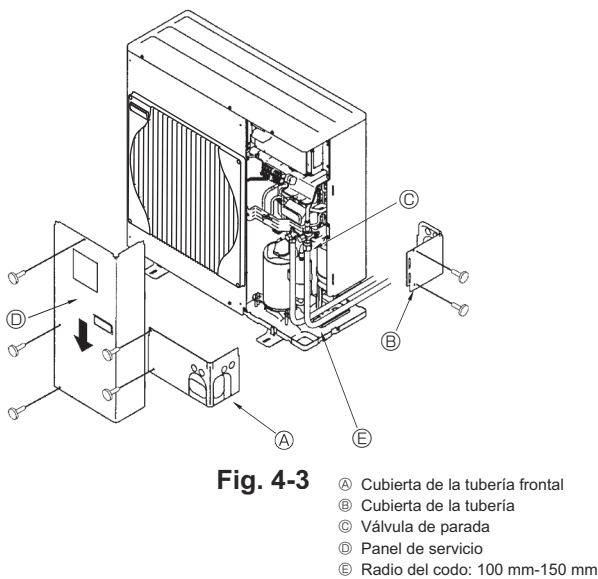


Fig. 4-3

Ⓐ Cubierta de la tubería frontal
Ⓑ Cubierta de la tubería
Ⓒ Válvula de parada
Ⓓ Panel de servicio
Ⓔ Radio del codo: 100 mm-150 mm

4.2. Tubos de conexión (Fig. 4-1)

- Si se utilizan tubos de cobre convencionales, envuelva los tubos de gas y líquido con materiales aislantes (resistente al calor hasta 100°C o más, espesor de 12 mm o más). El contacto directo con la tubería puede ocasionar quemaduras o congelación.
- Las piezas interiores del tubo de drenaje tienen que estar envueltas en materiales aislantes de espuma de polietileno (gravedad específica de 0,03 y espesor de 9 mm o más).
- Aplice una capa delgada de aceite refrigerante a la superficie tubo y de la junta de asiento antes de apretar la tuerca de abocardado. Ⓐ
- Utilice dos llaves de apriete para apretar las conexiones de los tubos. Ⓑ
- Utilice un detector de fugas o agua jabonosa para comprobar posibles fugas de gas una vez realizadas las conexiones.
- Aplice aceite refrigerante para máquinas en toda la superficie abocinada. Ⓒ
- Utilice las tuercas abocardadas para el siguiente tamaño de tubería. Ⓓ

		SW50	SW75	SW100, 120
Lado de gas	Tamaño de la tubería (mm)	$\phi 12,7$	$\phi 15,88$	$\phi 15,88$
Lado de líquido	Tamaño de la tubería (mm)	$\phi 6,35$	$\phi 9,52$	$\phi 9,52$

- Cuando doble los tubos, tenga cuidado de no romperlos. Un radio de curvatura de 100 mm a 150 mm es suficiente.
- Asegúrese de que las tuberías no tocan el compresor. Podría producir ruidos o vibraciones extrañas.
- Las tuberías se deben conectar empezando por la unidad interior.
- Las tuercas abocardadas se deben apretar con una llave dinamométrica.
- Caliente el tubo de líquido y el tubo de gas y aplique una fina capa de aceite de refrigeración (aplicado directamente).
- Cuando utilice un sellador de tubos normal, consulte la Tabla 1 para abocardar tuberías para refrigerante R410A.
- Para confirmar las medidas de A se puede utilizar el ajustador del tamaño.

Tabla 1 (Fig. 4-2)

Tubo de cobre O.D. (mm)	A (mm)
	Herramienta abocinada para R410A
	Tipo gancho
$\phi 6,35$ (1/4")	0 - 0,5
$\phi 9,52$ (3/8")	0 - 0,5
$\phi 12,7$ (1/2")	0 - 0,5
$\phi 15,88$ (5/8")	0 - 0,5
$\phi 19,05$ (3/4")	0 - 0,5

⚠ Atención:

Al instalar la unidad, conecte firmemente las tuberías de refrigerante antes de poner en marcha el compresor.

4.3. Tubos de refrigerante (Fig. 4-3)

■ Para SW50

Elimine el panel de servicio Ⓓ (1 tornillo).

■ Para SW75-120

Quite el panel de servicio Ⓓ (3 tornillos) y la cubierta de la tubería frontal Ⓐ (2 tornillos) y cubierta de la tubería posterior Ⓑ (2 tornillos: SW75) (4 tornillos: SW100, 120).

- Realice las conexiones de los tubos de refrigerante de la unidad interior/exterior con la válvula de parada de la unidad exterior completamente cerrada.
- Purgue el aire del sistema por succión en la unidad interior y tubos de conexión.
- Tras conectar las tuberías de refrigerante con la unidad interior, compruebe que no haya fugas de gas. (Consulte apartado 4.4. Prueba de fuga de gas del tubo de refrigerante.)

- En el puerto de servicio de la válvula de parada se utiliza una bomba de vacío de alto rendimiento que permite mantener el vacío durante un tiempo adecuado (al menos una hora tras alcanzar -101 kPa (5 milímetros de mercurio)) para secar por vacío el interior de las tuberías. Siempre compruebe el grado de vacío en el manómetro. Si queda humedad en la tubería, en ciertos casos no se alcanzará el nivel de vacío aplicando vacío durante poco tiempo.

Tras el secado por vacío, abra completamente las válvulas de parada (tanto las de líquido como las de gas) de la unidad exterior. Esta operación le permitirá conectar completamente las líneas refrigerantes de las unidades interiores y exteriores.

- Si el secado por vacío es inadecuado, podría quedar aire y vapor de agua en los circuitos de refrigeración, lo que provocaría un aumento anómalo de la alta presión, una caída anómala de la baja presión, el deterioro del aceite de la máquina refrigerante debido a la humedad, etc.
- Si deja cerradas las válvulas de parada y pone en marcha la unidad, el compresor y la válvula de control sufrirán daños.
- Utilice un detector de fugas o jabón y agua para detectar las fugas de gas en las juntas de las conexiones de los tubos de la unidad exterior.
- No utilice el refrigerante desde la unidad para purgar el aire de las líneas de refrigerante.
- Tras haber realizado los trabajos en las válvulas, ajuste las tuercas de las válvulas a la presión adecuada: 20 a 25 N·m (200 a 250 kgf·cm). Si no sustituye o aprieta bien las tuercas puede provocar una fuga de refrigerante. Además, evite dañar el interior de las válvulas ya que funcionan como selladoras para evitar fugas de refrigerante.
- Utilice un sellador para proteger las conexiones de los tubos y los extremos del material aislante no se impregnen de agua.

4. Instalación de los tubos del refrigerante

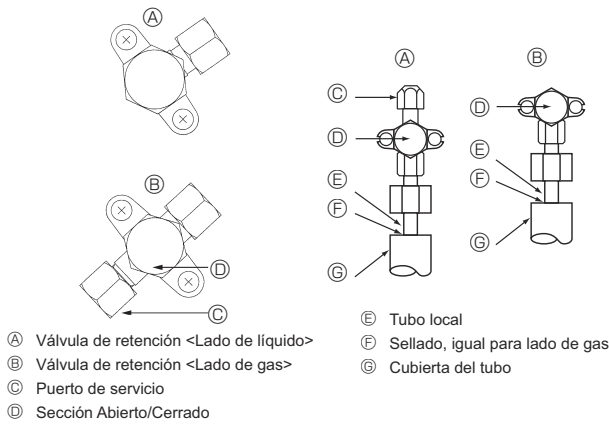


Fig. 4-4

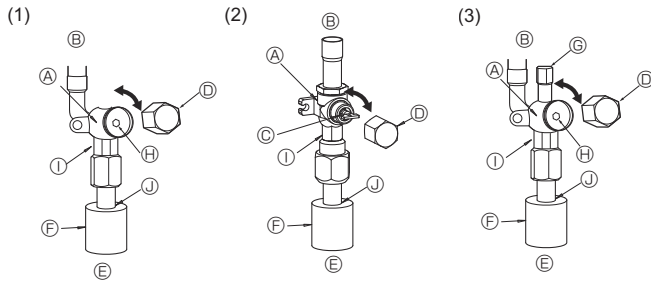


Fig. 4-5

Fig. 4-6

Fig. 4-7

- Ⓐ Válvula
- Ⓑ Lado de la unidad
- Ⓒ Manivela
- Ⓓ Tapa
- Ⓔ Lado del tubo local
- Ⓕ Cubierta del tubo
- Ⓖ Puerto de servicio
- Ⓗ Orificio de llave

- Ⓛ Sección de llave doble
(No utilice una llave en ninguna otra sección. De hacerlo podría provocar fugas de refrigerante.)
- Ⓜ Sección de sellado (Selle el extremo del material termoaislante en la sección de conexión del tubo con cualquier material sellante disponible, de modo que el agua no se filtre a través del material termoaislante.)

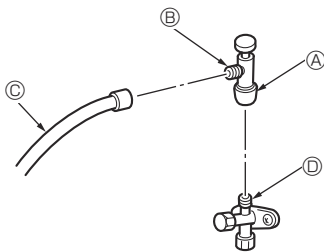


Fig. 4-8

- * La figura de la izquierda no es más que un ejemplo. La forma de la válvula de parada, la posición del puerto de servicio, etc. pueden variar en función del modelo.
- * Gire únicamente la sección Ⓐ. (No siga apretando las secciones Ⓐ y Ⓑ juntas.)
- Ⓒ Manguera de carga
- Ⓓ Puerto de servicio

4.4. Prueba de fuga de gas del tubo de refrigerante (Fig. 4-4)

- (1) Conecte las herramientas para pruebas.
 - Asegúrese de que las válvulas de parada Ⓐ Ⓑ están cerradas y no las abra.
 - Añada presión a las líneas de refrigerante a través del punto Ⓒ para reparaciones de válvula de parada de líquido Ⓐ.
- (2) No añada presión al nivel especificado de golpe; hágalo poco a poco.
 - ① Presurice a 0,5 MPa (5 kgf/cm²G), espere cinco minutos y compruebe que la presión no se ha reducido.
 - ② Presurice a 1,5 MPa (15 kgf/cm²G), espere cinco minutos y compruebe que la presión no se ha reducido.
 - ③ Presurice a 4,15 MPa (41,5 kgf/cm²G) y tome la temperatura ambiental y la presión del refrigerante.
- (3) Si la presión especificada se mantiene estable durante un día y no se reduce, las tuberías han pasado la prueba y no existe riesgo de fugas.
 - Si la temperatura ambiental cambia 1 °C, la presión variará unos 0,01 MPa (0,1 kgf/cm²G). Haga las correcciones necesarias.
- (4) Si la presión se reduce en los pasos (2) o (3), hay una fuga de gas. Busque el punto de fuga del gas.

4.5. Método de abertura de la válvula de retención

El método de abertura de la válvula de retención varía según el modelo de unidad exterior. Utilice el método adecuado para abrir las válvulas de retención.

- (1) Lado del gas de SW75 (Fig. 4-5)
 - ① Abra la tapa y gire la varilla de válvula hacia la izquierda hasta su tope, utilizando una llave hexagonal de 5 mm. Deje de girar cuando llega al tope. (ø15,88: Aproximadamente 13 revoluciones)
 - ② Cerciérese de que la válvula de parada esté completamente abierta y enrosque la tapa en su posición original.
- (2) Lado del gas de SW100, 120 (Fig. 4-6)
 - ① Quite la tapa, tire de la manivela hacia usted y gire 1/4 de vuelta hacia la izquierda para abrir.
 - ② Cerciérese de que la válvula de parada esté completamente abierta, empuje la manivela y enrosque la tapa en su posición original.
- (3) Lado de líquido de SW75-120 y lado del gas/líquido de SW50-75 (Fig. 4-7)
 - ① Abra la tapa y gire la varilla de válvula hacia la izquierda hasta su tope, utilizando una llave hexagonal de 4 mm. Deje de girar cuando llega al tope. (ø9,52: Aproximadamente 10 revoluciones)
 - ② Cerciérese de que la válvula de parada esté completamente abierta, empuje la manivela y enrosque la tapa en su posición original.

Las tuberías de refrigerante están envueltas con una protección para SW75-120

- Los tubos se pueden envolver para su protección hasta un diámetro de ø90 antes de conectar los tubos. Corte la tapa del tubo siguiendo la guía y envuelva los tubos.

Hueco de entrada de la tubería para SW75-120

- Utilice masilla de minio o un sellador para sellar el extremo del tubo alrededor del tubo para que no queden espacios vacíos.
(Si no se tapan los vacíos, se puede producir ruido o puede entrar agua o polvo y la unidad se podría averiar.)

Precauciones al utilizar la válvula de carga (Fig. 4-8)

No apriete demasiado el puerto de servicio cuando lo instale, de lo contrario, el núcleo de la válvula podría deformarse y quedar suelto, provocando fugas de gas. Tras situar la sección Ⓑ en la dirección deseada, gire únicamente la sección Ⓐ y apriétela.

No siga apretando las secciones Ⓐ y Ⓑ juntas tras apretar la sección Ⓐ.

4.6. Añadido de refrigerante

- Para esta unidad no hace falta una carga adicional si el tubo no tiene más de 10 m.
- Si el tubo tiene más de 10 m, cargue la unidad con refrigerante R410A adicional según las longitudes del tubo permitidas en la siguiente tabla.
 - * Con la unidad parada, cárguela con el refrigerante adicional a través de la válvula de parada de líquido después de haber aspirado los tubos y la unidad interior. Si la unidad está en marcha, añada refrigerante a la válvula de retención de gas con un cargador seguro. No añada refrigerante líquido directamente a la válvula de retención.
 - * Después de haber cargado la unidad con refrigerante, apunte la cantidad de refrigerante añadida en la etiqueta de mantenimiento (adjunta a la unidad). Para más información, consulte la sección "1.4. Utilización del refrigerante R410A para equipos de la unidad exterior".

- Tenga cuidado cuando instale varias unidades. Si conecta los tubos a una unidad interior incorrecta puede provocar una presión elevada anormal y ocasionar graves problemas al funcionamiento.

Modelo	Distancia de tubo permitida	Diferencia vertical permitida	Cantidad de carga de refrigerante adicional					
			11 - 20 m	21 - 30 m	31 - 40 m	41 - 50 m	51 - 60 m	61 - 75 m
SW50	2 m - 40 m	-30 m	0,2 kg	0,4 kg	0,6 kg	—	—	—
SW75	2 m - 40 m	-30 m	0,15 kg	0,3 kg	0,6 kg	—	—	—
SW100, 120	2 m - 75 m	-30 m	0,2 kg	0,4 kg	1,0 kg	1,6 kg	2,2 kg	2,8 kg

5. Tubería de drenaje

Conexión de la tubería de drenaje con la unidad exterior

Cuando sea necesario drenar la tubería, use la toma de drenaje o la batería de drenaje (opcional).

	SW50	SW75	SW100, 120
Toma de drenaje	PAC-SJ08DS-E	PAC-SG61DS-E	
Batería de drenaje	PAC-SG63DP-E	PAC-SG64DP-E	

6. Trabajo de las tuberías de agua

Cantidad mínima de agua

En el circuito hidráulico se requiere la siguiente cantidad de agua.

Modelo	Cantidad mínima de agua (L)
SW50	22
SW75	32
SW100	43
SW120	54

Tome siempre medidas de protección contra la congelación, como por ejemplo aplicar un producto anticongelante, cuando utilice la unidad en modo de refrigeración con una temperatura ambiente baja (por debajo de los 0 °C).

7. Trabajo eléctrico

7.1. Unidad exterior (Fig. 7-1, Fig. 7-2)

- ① Extraiga el panel de servicio.
- ② Tienda los cables de acuerdo con la Fig. 7-1 y Fig. 7-2.

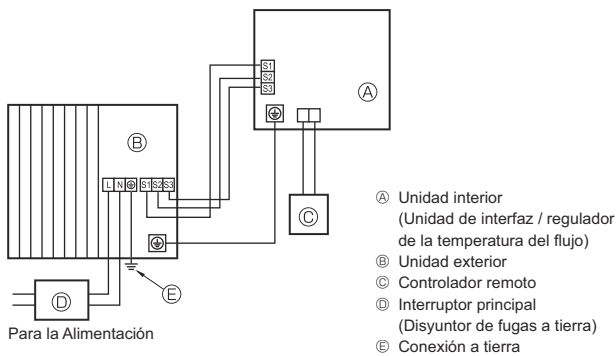
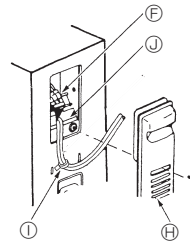


Fig. 7-1

■ SW50



■ SW75-120

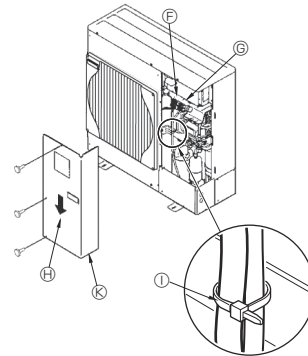
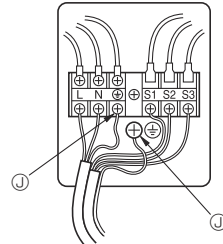
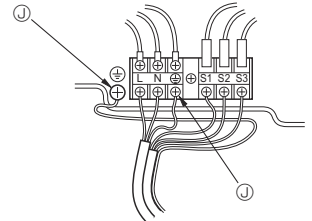


Fig. 7-2

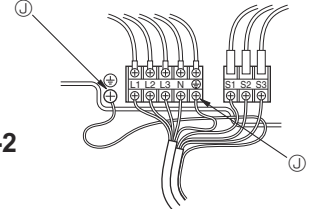
■ SW50



■ SW75-120V



■ SW100, 120V



- ⓕ Bloque de terminales
- ⓖ Bloque de terminales de la conexión interior/externa (S1, S2, S3)
- ⓓ Panel de servicio
- ⓐ Grapa
- * Sujete los cables de forma que no entren en contacto con el centro del panel de servicio o la válvula de gas.
- ⓐ Tierra del terminal
- ⓔ Conecte los cables de modo que no se pongan en contacto con el centro del panel de servicio.

Nota:

Si durante el servicio ha tenido que quitar la tapa protectora de la caja eléctrica, debe volver a colocarla.

⚠ Cuidado:

Asegúrese de instalar la línea-N. Sin la línea-N la unidad podría resultar dañada.

7. Trabajo eléctrico

7.2. Unidad exterior

Modelo de la unidad exterior	SW50V	SW75V	SW100V	SW120V	SW100, 120Y	
Unidad exterior alimentación	~N (Monofase), 50 Hz, 230 V	~N (Monofase), 50 Hz, 230 V	~N (Monofase), 50 Hz, 230 V	~N (Monofase), 50 Hz, 230 V	3N~ (4 cables 3 fases), 50 Hz, 400 V	
Capacidad de entrada de la unidad exterior	16 A	25 A	32 A	40 A	16 A	
Interruptor principal (Diferencial)	*1					
Cableado Cable n° x tamaño (mm ²)	Unidad exterior alimentación	3 x Min. 1,5	3 x Min. 2,5	3 x Min. 4	3 x Min. 6	5 x Min. 1,5
	Unidad interior-unidad exterior	*2 3 x 1,5 (Polar)	3 x 1,5 (Polar)	3 x 1,5 (Polar)	3 x 1,5 (Polar)	3 x 1,5 (Polar)
	Cable a tierra de la unidad interior y de la unidad exterior	*2 1 x Min. 1,5	1 x Min. 1,5	1 x Min. 1,5	1 x Min. 1,5	1 x Min. 1,5
	Control remoto - unidad interior	*3 2 x 0,3 (No-polar)	2 x 0,3 (No-polar)	2 x 0,3 (No-polar)	2 x 0,3 (No-polar)	2 x 0,3 (No-polar)
Rango del circuito	Unidad exterior L-N (Monofase)	*4 230 VCA	230 VCA	230 VCA	230 VCA	230 VCA
	Unidad exterior L1-N, L2-N, L3-N (3 fases)	*4 230 VCA	230 VCA	230 VCA	230 VCA	230 VCA
	Unidad interior-unidad exterior S1-S2	*4 24 VCC	24 VCC	24 VCC	24 VCC	24 VCC
	Unidad interior-unidad exterior S2-S3	*4 12 VCC	12 VCC	12 VCC	12 VCC	12 VCC
	Control remoto - unidad interior	*4 12 VCC	12 VCC	12 VCC	12 VCC	12 VCC

*1. Utilice un disyuntor automático de fugas a tierra (NV) con una separación mínima de contacto de 3,0 mm en cada uno de los polos.

Asegúrese de que el disyuntor de corriente es compatible con corrientes armónicas más altas.

Utilice siempre un disyuntor de corriente compatible con corrientes armónicas más altas ya que esta unidad está equipada con un conmutador.

El uso de un disyuntor inadecuado puede hacer que el conmutador no funcione correctamente.

*2. Máx. 45 m

Si se utiliza cable de 2,5 mm², máx. 50 m

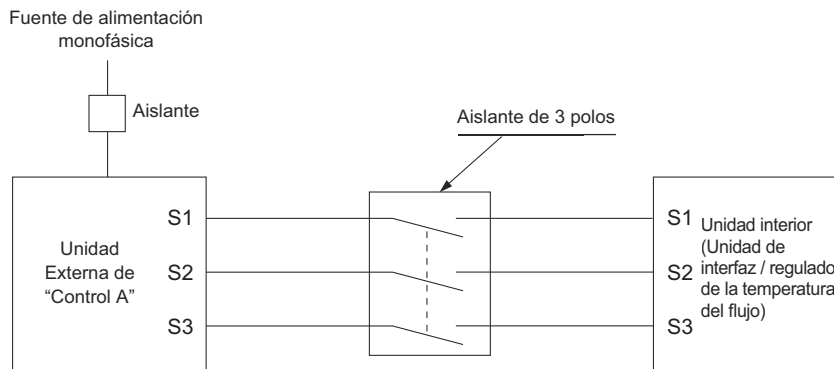
Si se utiliza cable de 2,5 mm² y S3 por separado, máx. 80 m

*3. Se coloca un cable de 10 m al accesorio del controlador remoto.

*4. Los valores NO siempre se aplican a la toma a tierra.

El terminal S3 dispone de 24 VCC frente al terminal S2. Entre S3 y S1, estos terminales NO están aislados eléctricamente por el transformador u otro dispositivo.

- Notas:**
1. El diámetro de los cables debe cumplir la normativa local y nacional.
 2. Los cables de alimentación y los que conectan la unidad interior y la exterior deben tener una resistencia mínima equiparable a los cables flexibles revestidos de policloropreno. (Diseño 60245 IEC 57)
 3. Asegúrese de que los cables entre la unidad de interfaz / regulador de temperatura de flujo y la unidad exterior se conectan directamente a las unidades (no se permite la utilización de conexiones intermedias). Las conexiones intermedias pueden producir errores de comunicación. Si el agua entrara en un punto intermedio de conexión puede causar un aislamiento a tierra insuficiente o interrumpir el contacto eléctrico. (Si se necesita realizar una conexión intermedia, asegúrese de tomar medidas para evitar que el agua entre en los cables.)
 4. Instale un cable de toma de tierra más largo que el resto de los cables.
 5. No construya un sistema en el que la fuente de alimentación de corriente se encienda y apague con frecuencia.



⚠ Atención:

- Si hay un cableado de control A habrá un alto voltaje potencial en el terminal S3 causado por un diseño de circuito eléctrico que no incluye aislamiento entre la línea de alimentación y la línea de señal de comunicación. Por ello es necesario que desconecte la alimentación principal antes de reparar la unidad. No toque nunca los terminales S1, S2 y S3 mientras esté conectada la alimentación eléctrica. Si debe utilizar el aislante entre la unidad interior y la unidad exterior, utilice el tipo de aislante de 3 polos.

No empalme nunca el cable de corriente o el cable de la conexión interior-exterior, de lo contrario se podrían provocar humo, un incendio o un fallo en la comunicación.

8. Funciones especiales

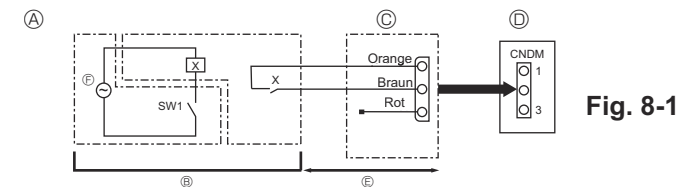


Fig. 8-1

- Ⓐ Ejemplo de diagrama de circuito (modo de reducción del ruido)
 Ⓑ Arreglo in situ
 Ⓒ Adaptador de contacto externo (PAC-SC36NA-E)
 X: Relé
- Ⓓ Cuadro de control de la unidad exterior
 Ⓔ Máx. 10 m
 Ⓕ Fuente de alimentación del relé

8.1. Modo de reducción del ruido (modificación in situ) (Fig. 8-1)

Si lleva a cabo las siguientes modificaciones, puede reducir el ruido de la unidad exterior en 3 o 4 dB.

El modo de reducción del ruido se activará cuando añada un programador (disponible en los comercios) o si al conector CNDM (que se vende por separado) del cuadro de control de la unidad exterior se le añade una entrada por contacto de un interruptor de Endendido/Apagado.

- La disponibilidad varía según la temperatura exterior, las condiciones atmosféricas, etc.
- 1 Complete el circuito como se muestra utilizando el adaptador de contacto externo (PAC-SC36NA-E). (Se vende por separado)
 - 2 SW7-1 en (Cuadro de control de la unidad exterior): OFF
 - 3 SW1 en posición ON: Modo de reducción del ruido
SW1 en posición OFF: Funcionamiento normal

8.2. Recuperación del refrigerante (vaciado)

Para recuperar el refrigerante cuando mueva la unidad interior o exterior siga los siguientes pasos.

- 1 Fuente de alimentación (disyuntor).
 - * Cuando haya restablecido la corriente, asegúrese de que en la pantalla del controlador remoto no aparece "CENTRALLY CONTROLLED". Si aparece "CENTRALLY CONTROLLED" no se puede recuperar el refrigerante (vaciado) de manera normal.
 - * La comunicación entre la unidad interior y exterior se inicia aproximadamente 3 minutos después de conectar la alimentación (disyuntor). Inicie la operación de vaciado entre 3 y 4 minutos después de que se haya conectado la alimentación (disyuntor).
 - * En caso de control de unidades múltiples, antes de encender, desconecte el cableado entre la unidad interior maestra y la unidad interior esclava. Para obtener más detalles, consulte el manual de instalación para la unidad interior.
- 2 Después de cerrar la válvula de líquido, sitúe el interruptor SWP del cuadro de control de la unidad exterior en posición ON. El compresor (unidad exterior) y los ventiladores (unidad interior y exterior) se ponen en marcha y empieza el proceso de recuperación del refrigerante. Los indicadores LED1 y LED2 del cuadro de control de la unidad exterior están encendidos.
 - * Sólo coloque el interruptor SWP (botón tipo pulsador) en la posición ON si la unidad está parada. Aún y así, incluso si la unidad está parada y el interruptor SWP está en posición ON menos de 3 minutos después de que el compresor se haya parado, la operación de recuperación del refrigerante no se puede realizar. Espere 3 minutos después que el compresor se haya parado y vuelva a poner el interruptor SWP en posición ON.

- 3 Dado que la unidad se para automáticamente al cabo de 2 o 3 minutos de terminar el proceso de recuperación del refrigerante (el indicador LED1 está apagado y el indicador LED2 encendido), asegúrese de cerrar rápidamente la válvula de parada de gas. Si el indicador LED1 está encendido y el indicador LED2 apagado, y la unidad exterior está parada, el proceso de recuperación del refrigerante no se lleva a cabo correctamente. Abra completamente la válvula de parada de líquido y repita el paso 2 al cabo de 3 minutos.
 - * Si la operación de recuperación del refrigerante se ha completado con éxito (el indicador LED1 está apagado y el indicador LED2 encendido), la unidad continuará parada hasta que se corte la corriente.
- 4 Corte la corriente (disyuntor).
 - * Tenga en cuenta que cuando la tubería de extensión es muy larga y contiene una gran cantidad de refrigerante, es posible que no se pueda realizar una operación de vaciado. Cuando realice esta operación, asegúrese de que la presión ha descendido a casi 0 MPa (manómetro).

⚠ Atención:

Al realizar el vaciado del refrigerante, detenga el compresor antes de desconectar las tuberías de refrigerante. El compresor podría explotar si entra aire, etc. en su interior.

9. Control del sistema

Ajuste la dirección del refrigerante usando el interruptor DIP de la unidad exterior.

Configuración de función SW1

Configuración de SW1	Dirección de refrigerante	Configuración de SW1	Dirección de refrigerante
ON OFF 3 4 5 6 7	00	ON OFF 3 4 5 6 7	03
ON OFF 3 4 5 6 7	01	ON OFF 3 4 5 6 7	04
ON OFF 3 4 5 6 7	02	ON OFF 3 4 5 6 7	05

Nota:

- Se pueden conectar hasta 6 unidades.
- Seleccione un modelo único para todas las unidades.
- Para la configuración del interruptor DIP para la unidad interior, consulte el manual de instalación de la unidad interior.

10. Especificaciones

Modelo exterior		PUHZ-SW50VKA	PUHZ-SW75VHA	PUHZ-SW100VHA	PUHZ-SW120VHA	PUHZ-SW100YHA	PUHZ-SW120YHA
Fuente de alimentación	V / Fase / Hz	230 / Monofásica / 50				400 / Tres / 50	
Dimensiones (Al. x An. x Pr.)	mm	809 × 630 × 360	950 × 943 × 330(+30)	950 × 1350 × 330(+30)			
Nivel sonoro *1							
SPL	Calefacción	dB(A)	46	51	54	54	54
	Refrigeración	dB(A)	46	48	50	51	51
PWL	Calefacción	dB(A)	63	69	70	72	72

*1 Medido en una frecuencia tasada de funcionamiento.

Indice

1. Misure di sicurezza.....	47	6. Installazione delle tubazioni dell'acqua	53
2. Luogo in cui installare.....	48	7. Collegamenti elettrici	53
3. Installazione della sezione esterna.....	50	8. Funzioni speciali.....	55
4. Installazione della tubazione del refrigerante	50	9. Controllo del sistema	55
5. Installazione della tubazione di drenaggio.....	53	10. Specifiche.....	55



Nota: Questo simbolo è destinato solo ai paesi dell'UE.

Questo simbolo è conforme alla direttiva 2012/19/EU, Articolo 14, Informazioni per gli utenti, e all'Allegato IX.

Questo prodotto MITSUBISHI ELECTRIC è stato fabbricato con materiali e componenti di alta qualità, che possono essere riciclati e riutilizzati.

Questo simbolo significa che i prodotti elettrici ed elettronici devono essere smaltiti separatamente dai rifiuti casalinghi alla fine della loro vita di servizio.

Per disfarsi di questo prodotto, portarlo al centro di raccolta/riciclaggio dei rifiuti solidi urbani locale.

Nell'Unione Europea ci sono sistemi di raccolta differenziata per i prodotti elettrici ed elettronici usati.

Aiutateci a conservare l'ambiente in cui viviamo!

⚠ Cautela:

• Non scaricare R410A nell'atmosfera:

• R410A è un gas fluorurato ad effetto serra disciplinato dal protocollo di Kyoto, con un potenziale globale di riscaldamento (GWP, Global Warming Potential)=1975.

1. Misure di sicurezza

- ▶ Leggere attentamente la sezione "Misure di sicurezza" prima di far funzionare l'unità.
- ▶ Prima di collegare l'equipaggiamento alla rete di alimentazione, contattare o chiedere l'autorizzazione dell'autorità competente.

⚠ Avvertenza:

Descrive le precauzioni da prendere per evitare il rischio di lesioni, anche mortali, per l'utente.

⚠ Cautela:

Descrive le precauzioni da prendere per evitare il danneggiamento dell'unità.

⚠ Avvertenza:

- L'unità non deve essere montata dall'utente. Richiedere ad un rivenditore o ad un tecnico autorizzato di provvedere all'installazione. Un montaggio scorretto dell'unità può essere causa di perdite di acqua, scosse elettriche o incendi.
- Per eseguire l'installazione, seguire quanto indicato nel Manuale d'installazione e utilizzare gli strumenti e i componenti dei tubi specificatamente previsti per il refrigerante R410A. Il R410A presente nel sistema a idrofluorocarburi è pressurizzato con una pressione pari a 1,6 volte quella dei refrigeranti tradizionali. L'utilizzo di componenti dei tubi non adatti al refrigerante di tipo R410A e un'installazione scorretta dell'unità possono causare lo scoppio dei tubi, provocando danni e lesioni. Inoltre, si possono verificare perdite di acqua, scosse elettriche o incendi.
- L'unità deve essere montata conformemente alle istruzioni, riducendo al minimo il rischio di possibili danni causati da terremoti, tifoni o forti raffiche di vento. Se installata in maniera scorretta, può cadere e provocare danni e lesioni.
- Installare l'unità in maniera sicura su una struttura in grado di sostenerne il peso. Se montata su una struttura instabile, l'unità potrebbe cadere e provocare danni e lesioni.
- Nel caso l'unità esterna venisse installata in un ambiente piccolo, è consigliabile prendere i dovuti accorgimenti per evitare che nella stanza, nel caso di una perdita di refrigerante, si formi una concentrazione di refrigerante superiore ai limiti di sicurezza. Per maggiori informazioni sulle misure adatte ad evitare il superamento dei limiti di concentrazione stabiliti, consultare un rivenditore. Eventuali perdite di refrigerante o il superamento dei limiti di concentrazione possono causare situazioni di pericolo imputabili alla mancanza di ossigeno nella stanza.
- In presenza di perdite di refrigerante durante il funzionamento, aerare la stanza. A contatto con una fiamma, il refrigerante può rilasciare gas tossici.
- Tutti gli interventi elettrici devono essere eseguiti da un tecnico qualificato, rispettando le normative locali e le istruzioni riportate nel presente manuale. Le unità devono essere alimentate da linee elettriche dedicate e con il voltaggio corretto; è inoltre necessario utilizzare appositi interruttori di circuito. Le linee elettriche con una capacità insufficiente o un'attività elettrica non idonee possono provocare scosse elettriche o incendi.
- Per tutti i tubi continui in rame e lega di rame, per collegare i tubi di refrigerazione, utilizzare rame fosforoso C1220. Nel caso di errato collegamento dei tubi, l'unità non sarà messa a terra correttamente, con un conseguente rischio di scossa elettrica.

⚡ : Indica la necessità di collegare un componente a massa.

⚠ Avvertenza:

Leggere attentamente le etichette attaccate all'unità principale.

- Utilizzare esclusivamente i cablaggi specificati. I collegamenti devono essere fatti in condizioni di sicurezza, senza tensione sui connettori. Inoltre, non giuntare mai i cablaggi (se non diversamente indicato nel presente documento). La mancata osservanza di queste istruzioni può essere causa di surriscaldamento o incendio.
- Il pannello di copertura della morsettiera dell'unità esterna deve essere fissato saldamente. Se il pannello di copertura non è montato correttamente e nell'unità penetrano polvere ed umidità, vi è il rischio di scosse elettriche o di incendio.
- Durante l'installazione o il trasloco, o quando si sottopone ad assistenza l'unità esterna, utilizzare solo il refrigerante specificato (R410A) per ricaricare i tubi del refrigerante. Non mescolarlo con nessun altro tipo di refrigerante e non consentire all'aria di restare all'interno dei tubi. Qualora dell'aria si mescoli con il refrigerante, potrebbe far innalzare in modo anomalo la pressione nel tubo del refrigerante, il che potrebbe provocare un'esplosione o altri pericoli. L'uso di refrigeranti diversi da quello specificato per il sistema provocherà guasti meccanici, malfunzionamenti del sistema o la rottura dell'unità. Nel peggiore dei casi, questo potrebbe impedire seriamente di garantire la messa in sicurezza del prodotto.
- Utilizzare soltanto gli accessori autorizzati dalla Mitsubishi Electric e richiedere a un rivenditore o a un tecnico autorizzato di provvedere all'installazione. Un montaggio non corretto degli accessori può causare perdite di acqua, scosse elettriche o incendi.
- Non modificare la struttura dell'unità. Per le riparazioni, consultare un rivenditore. Eventuali modifiche o riparazioni non eseguite correttamente possono provocare perdite di acqua, scosse elettriche o incendi.
- L'utente non dovrebbe mai tentare di riparare l'unità o spostarla in un'altra sede. Un montaggio scorretto dell'unità può essere causa di perdite di acqua, scosse elettriche o incendi. Per riparare o spostare l'unità esterna contattare un rivenditore o un tecnico specializzato.
- Terminata l'installazione, accertarsi che non vi siano perdite di refrigerante. Eventuali perdite di refrigerante nella stanza a contatto con una fiamma possono causare la formazione di gas tossici.

1.1. Prima dell'installazione

⚠ Cautela:

- Non utilizzare l'unità in un ambiente insolito. Se installata in zone esposte a vapore, olio volatile (compreso l'olio per macchine), gas sulfureo, in zone a elevato contenuto salino, tra cui le località marittime o in aree dove l'unità rischia di venire ricoperta dalla neve, le sue prestazioni potrebbero essere notevolmente pregiudicate e i componenti interni potrebbero essere danneggiati.
- Non installare l'unità dove si possono verificare perdite, produzione, flusso o accumulo di gas. Nel caso di accumulo di gas attorno all'unità, si possono verificare incendi ed esplosioni.

- Durante la fase di riscaldamento, l'unità esterna produce condensa. Provvedere a un apposito sistema di scarico attorno all'unità esterna nel caso questa condensa possa provocare dei danni.
- Qualora l'unità venisse installata in un ospedale o in uffici aperti al pubblico, considerare che essa potrà essere fonte di rumorosità ed interferenze con le apparecchiature elettroniche. Gli inverter, le applicazioni domestiche, le attrezzature mediche ad alta frequenza e le apparecchiature di radiocomunicazione possono provocare danni o rotture dell'unità esterna. L'unità esterna può anche influire sul funzionamento delle attrezzature mediche, disturbandone le prestazioni e le apparecchiature di comunicazione, pregiudicando la qualità di visualizzazione sullo schermo.

1. Misure di sicurezza

1.2. Prima dell'installazione (spostamento)

⚠ Cautela:

- Durante il trasporto o l'installazione delle unità, prestare estrema attenzione. L'unità pesa oltre 20 kg, quindi per poterla maneggiare sono necessarie due o più persone. Non afferrare l'unità dai nastri di imballaggio. Per estrarre l'unità dalla confezione e per spostarla indossare appositi guanti protettivi, per scongiurare il ferimento dei palmi delle mani o di altre estremità del corpo.
- Smaltire in maniera sicura il materiale di imballaggio. Il materiale di imballaggio, tra cui i chiodi e altre parti in metallo o legno, possono causare ferite da punta o altri tipi di lesione.

- La base e gli elementi di fissaggio dell'unità esterna devono essere sottoposti a controlli periodici, accertando che non siano allentati, fessurati o danneggiati in altro modo. Se non si eliminano questi difetti, l'unità può cadere e causare danni e lesioni.
- Non pulire l'unità esterna con acqua. Rischio di scossa elettrica.
- Stringere tutti i dadi svasati utilizzando una chiave dinamometrica. Se stretto troppo, il dado svasato dopo un periodo prolungato si può rompere, causando una perdita di refrigerante.

1.3. Prima dell'esecuzione degli interventi elettrici

⚠ Cautela:

- Accertarsi di aver installato gli interruttori di circuito. In caso contrario, esiste il rischio di scossa elettrica.
- Per le linee di alimentazione utilizzare cavi standard di capacità sufficiente. In caso contrario, rischio di cortocircuito, surriscaldamento o incendio.
- Durante l'installazione delle linee di alimentazione, non mettere i cavi sotto tensione. In presenza di connessioni lente, i cavi possono fuoriuscire e rompersi, causando surriscaldamento o incendio.

- Mettere a terra l'unità. Non collegare il cavo di messa a terra alle linee del gas o dell'acqua, ai parafulmini o alle linee di messa a terra telefoniche. Se non messa a terra correttamente, l'unità può causare scosse elettriche.
- Usare interruttori di circuito (interruttore di guasti a terra, sezionatore (fusibile +B) e interruttore di circuito a corpo sagomato) con la capacità specificata. Una capacità dell'interruttore di circuito superiore a quella specificata può causare guasti o incendi.

1.4. Utilizzo delle unità eterne caricate con refrigerante R410A

⚠ Cautela:

- Per tutti i tubi continui in rame e lega di rame, per collegare i tubi di refrigerazione, utilizzare rame fosforoso C1220. Accertarsi che le parti interne dei tubi siano pulite e che non contengano agenti contaminanti dannosi, tra cui composti solforati, ossidanti, detriti o polvere. Usare tubi dello spessore specificato. (Vedere a 4.1.) Nel caso si intenda riutilizzare i tubi già esistenti con i quali sia stato utilizzato il refrigerante R22, notare quanto segue.
 - Sostituire i dadi svasati presenti e svasare nuovamente le sezioni svasate.
 - Non utilizzare tubi sottili. (Vedere a 4.1.)
- Conservare i tubi da utilizzare durante l'installazione in un ambiente chiuso e mantenere sigillate entrambe le estremità dei tubi fino a poco prima di procedere con la brasatura. (Lasciare le giunzioni a gomito ecc. nella confezione.) La presenza di polvere, detriti o umidità nelle linee dei refrigeranti, può causare il deterioramento dell'olio e guastare il compressore.
- Come olio di refrigerazione da applicare alle sezioni svasate, usare olio eterico, eterico, olio di alchilbenzolo (in quantità limitate). Mescolando l'olio minerale con l'olio di refrigerazione si può provocare un deterioramento dell'olio.

- Non utilizzare altri refrigeranti diversi dal tipo R410A. Utilizzando un refrigerante diverso, il cloro provoca un deterioramento dell'olio.
- Per il refrigerante R410A, usare i seguenti strumenti appositi. Con il refrigerante R410A sono richiesti i seguenti strumenti. Per qualsiasi informazione aggiuntiva, contattare il rivenditore più vicino.

Strumenti (per R410A)	
Calibro tubo	Utensile di svasatura
Tubo di caricamento	Calibro di regolazione misura
Rilevatore di perdite di gas	Adattatore pompa a vuoto
Chiave dinamometrica	Bilancia elettronica di caricamento refrigerante

- Accertarsi di utilizzare gli strumenti adatti. La presenza di polvere, detriti o umidità nelle linee dei refrigeranti, può causare il deterioramento dell'olio.
- Non utilizzare un cilindro di caricamento. L'impiego di un cilindro di caricamento può modificare la composizione del refrigerante ed abbassare il livello di efficienza.

2. Luogo in cui installare

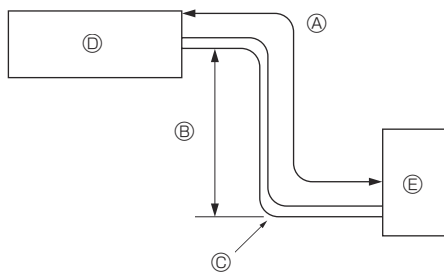


Fig. 2-1

2.1. Tubazione del refrigerante (Fig. 2-1)

- Verificare che il dislivello fra le sezioni interna ed esterna, la lunghezza della tubazione del refrigerante ed il numero di pieghe sulla stessa siano entro i limiti indicati nella tabella sottostante.

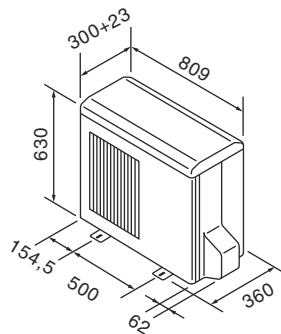
Modello	Ⓐ Lunghezza della tubazione (una direzione)	Ⓑ Dislivello	Ⓒ Numero di pieghe (una direzione)
SW50	2 m - 40 m	Max. 30 m	Max. 15
SW75	2 m - 40 m	Max. 30 m	Max. 15
SW100, 120	2 m - 75 m	Max. 30 m	Max. 15

- Il limite della differenza di altezza viene definito indipendentemente dall'unità, interna o esterna, posizionata più in alto.

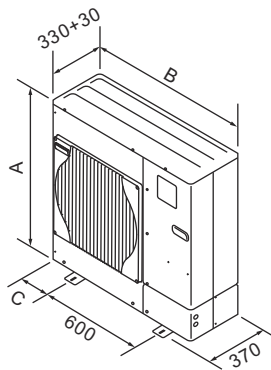
- Ⓓ Sezione interna
- Ⓔ Sezione esterna

2. Luogo in cui installare

■ SW50



■ SW75, 100, 120



Modello	A (mm)	B (mm)	C (mm)
SW75	943	950	175
SW100	1350	950	175
SW120	1350	950	175

Fig. 2-2

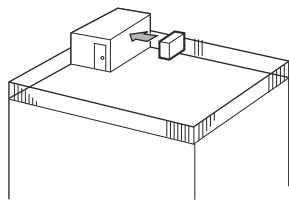


Fig. 2-3

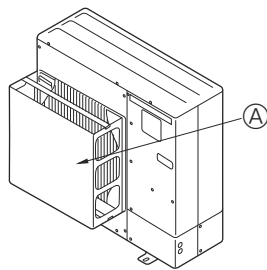


Fig. 2-4

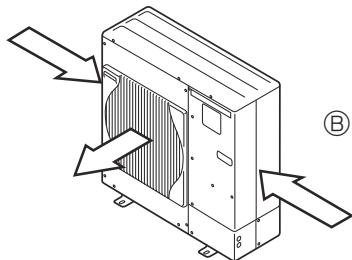


Fig. 2-5

(mm)

2.2. Scelta del luogo di installazione dell'unità esterna

- Evitare i luoghi esposti alla luce solare diretta o altre fonti di calore.
- Scegliere un luogo dove il rumore emesso dall'unità non disturbi i vicini.
- Scegliere un luogo che consenta di eseguire facilmente i cablaggi ed accedere ai tubi della fonte di alimentazione e dell'unità interna.
- Evitare i luoghi dove si possono verificare perdite, produzione, flusso o accumulo di gas.
- Notare che durante il funzionamento si possono verificare perdite di acqua dall'unità.
- Scegliere un luogo piano in grado di supportare il peso e le vibrazioni dell'unità.
- Evitare di installare l'unità dove possa venire ricoperta dalla neve. Nelle zone in cui le precipitazioni nevose vengono previste in anticipo, prendere particolari precauzioni, ad esempio aumentando l'altezza di installazione o installando un cappuccio nella presa d'aria, in modo da evitare che la neve possa ostruire la presa d'aria o possa soffiare direttamente contro di essa. Questi fenomeni possono ridurre il flusso dell'aria e causare anomalie.
- Evitare i luoghi esposti agli schizzi di olio, vapore o al gas solfureo.
- Per trasportare l'unità usare le apposite maniglie dell'unità esterna. Trasportando l'unità dal fondo, mani o dita possono rimanere schiacciate.

2.3. Dimensioni (Sezione esterna) (Fig. 2-2)

2.4. Ventilazione e spazio di servizio

2.4.1. Installazione in una posizione ventosa

Nel caso l'unità esterna venisse montata in cima a un tetto o in un altro punto non protetto dal vento, posizionare l'uscita dell'aria dell'unità in modo da non esporla direttamente ai venti forti. Eventuali raffiche di vento, penetrando nella bocca di uscita dell'aria, possono impedire il normale flusso dell'aria e causare anomalie.

Le istruzioni riportate di seguito illustrano tre esempi di misure di protezione dai venti forti.

- ① Posizionare la bocca di uscita dell'aria verso la parete più vicina, mantenendola a circa 50 cm di distanza dalla parete. (Fig. 2-3)
- ② Installare una guida per la bocca di uscita dell'aria opzionale nel caso l'unità venga installata in un luogo dove vento forte causato da tifoni o da fenomeni simili possono penetrare direttamente nella bocca di uscita dell'aria. (Fig. 2-4)
 - Ⓐ Guida per la bocca di uscita dell'aria
- ③ Se possibile, posizionare l'unità in modo che la bocca di uscita soffi perpendicolarmente alla direzione del vento stagionale. (Fig. 2-5)
 - Ⓑ Direzione del vento

2.4.2. Installazione di un'unica unità esterna (Consultare l'ultima pagina)

Le dimensioni minime sono le seguenti, eccetto per i valori Max., i quali indicano le dimensioni massime.

I numeri tra parentesi si riferiscono ai modelli SW100, 120.

Fare riferimento alle figure per ciascun caso.

- ① Solo ostacoli posteriori (Fig. 2-6)
- ② Solo ostacoli posteriori e superiori (Fig. 2-7)
 - Non utilizzare le guide per la bocca di uscita opzionale per il flusso dell'aria verso l'alto.
- ③ Solo ostacoli posteriori e laterali (Fig. 2-8)
 - * 350 per SW50
- ④ Solo ostacoli anteriori (Fig. 2-9)
 - * Nel caso si utilizzi la guida della bocca di uscita aria opzionale, il gioco previsto per i modelli SW100, 120 è di almeno 500 mm.
- ⑤ Solo ostacoli anteriori e posteriori (Fig. 2-10)
 - * Nel caso si utilizzi la guida della bocca di uscita aria opzionale, il gioco previsto per i modelli SW100, 120 è di almeno 500 mm.
- ⑥ Solo ostacoli posteriori, laterali e superiori (Fig. 2-11)
 - * 350 per SW50
 - Non utilizzare le guide per la bocca di uscita opzionale per il flusso dell'aria verso l'alto.

2.4.3. Installazione di diverse unità esterne (Consultare l'ultima pagina)

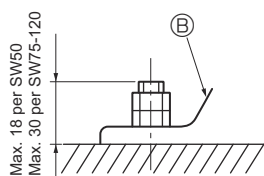
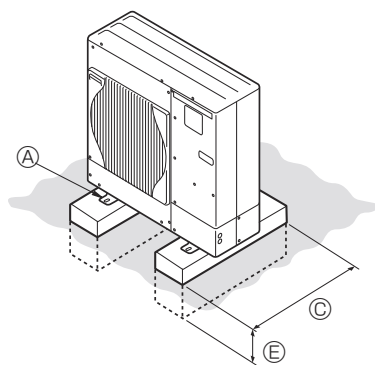
Lasciare almeno 350 mm di spazio per SW50 e almeno 10 mm di spazio per SW75-120 tra le unità.

I numeri tra parentesi si riferiscono ai modelli SW100, 120.

Fare riferimento alle figure per ciascun caso.

- ① Solo ostacoli posteriori (Fig. 2-12)
- ② Solo ostacoli posteriori e superiori (Fig. 2-13)
 - Non affiancare più di tre unità. Inoltre lasciare lo spazio indicato.
 - Non utilizzare le guide per la bocca di uscita opzionale per il flusso dell'aria verso l'alto.
- ③ Solo ostacoli anteriori (Fig. 2-14)
 - * Nel caso si utilizzi la guida della bocca di uscita aria opzionale, il gioco previsto per i modelli SW100, 120 è di almeno 1000 mm.
- ④ Solo ostacoli anteriori e posteriori (Fig. 2-15)
 - * Nel caso si utilizzi la guida della bocca di uscita aria opzionale, il gioco previsto per i modelli SW100, 120 è di almeno 1000 mm.
- ⑤ Disposizione di unità singole parallele (Fig. 2-16)
 - * Nel caso si utilizzi una guida della bocca di uscita aria opzionale installata per il flusso verso l'alto, il gioco previsto è di almeno 500 (1000) mm.
- ⑥ Disposizione di diverse unità parallele (Fig. 2-17)
 - * Nel caso si utilizzi una guida della bocca di uscita aria opzionale, il gioco previsto è di almeno 1000 (1500) mm.
- ⑦ Disposizione unità sovrapposte (Fig. 2-18)
 - È consentito sovrapporre al massimo due unità.
 - Non affiancare più di due unità sovrapposte. Inoltre lasciare lo spazio indicato.

3. Installazione della sezione esterna



- (A) Bullone M10 (3/8")
- (B) Base
- (C) Quanto più lungo possibile.
- (D) Valvola
- (E) Installare a terra in profondità

(mm)

- Assicurarsi di installare l'unità su una superficie solida e in piano, per evitare rumori di sbattimento durante il funzionamento. (Fig. 3-1)

<Specifiche delle fondamenta>

Bullone fundamenta	M10 (3/8")
Spessore del cemento	120 mm
Lunghezza del bullone	70 mm
Capacità di carico	320 kg

- Assicurarsi che la lunghezza del bullone fundamenta non superi 30 mm rispetto alla superficie inferiore della base.
- Assicurare saldamente la base dell'unità con quattro bulloni fundamenta M10 in punti sufficientemente solidi.

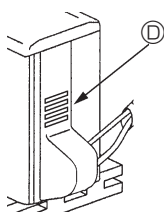
Installazione dell'unità esterna

- Non bloccare la valvola. Il blocco della valvola può impedire il funzionamento dell'impianto e provocare guasti.
- Oltre alla base dell'unità, utilizzare i fori di installazione previsti sul retro dell'unità per collegare i cavi ecc., se necessario per installare l'unità. Utilizzare viti autofillettanti ($\phi 5 \times 15$ mm o meno) ed eseguire l'installazione sul posto.

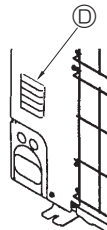
⚠ Avvertenza:

- L'unità deve essere installata in maniera sicura su una struttura in grado di sostenerne il peso. Se montata su una struttura instabile, l'unità potrebbe cadere e causare danni e lesioni.
- L'unità deve essere montata conformemente alle istruzioni, riducendo al minimo il rischio di possibili danni causati da terremoti, tifoni o forti raffiche di vento. Se installata in maniera scorretta, un'unità può cadere e causare danni e lesioni.

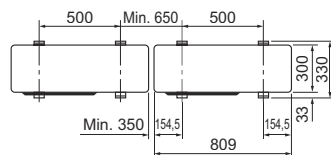
■ SW50



■ SW75-120



■ SW50



■ SW75-120

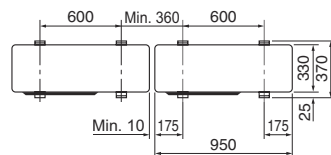


Fig. 3-1

4. Installazione della tubazione del refrigerante

4.1. Precauzioni per gli impianti che utilizzano il refrigerante tipo R410A

- Per ulteriori precauzioni non riportate di seguito sull'impiego delle unità esterne con refrigerante R410A, vedere a 1.4.
- Come olio di refrigerazione da applicare alle sezioni svasate, usare olio esteri-co, eterico, olio di alchilbenzolo (in quantità limitate).
- Per tutti i tubi continui in rame e lega di rame, per collegare i tubi di refrigerazione, utilizzare rame fosforoso C1220. Usare i tubi del refrigerante dello spessore specificato nella tabella in basso. Accertarsi che le parti interne dei tubi siano pulite e che non contengano agenti contaminanti dannosi, tra cui composti solfurei, ossidanti, detriti o polvere.
Per evitare di danneggiare il compressore, procedere ad una brasatura dei tubi che non produca ossidazione.

⚠ Avvertenza:

Durante l'installazione o il trasloco, o quando si sottopone ad assistenza l'unità esterna, utilizzare solo il refrigerante specificato (R410A) per ricaricare i tubi del refrigerante. Non mescolarlo con nessun altro tipo di refrigerante e non consentire all'aria di restare all'interno dei tubi.

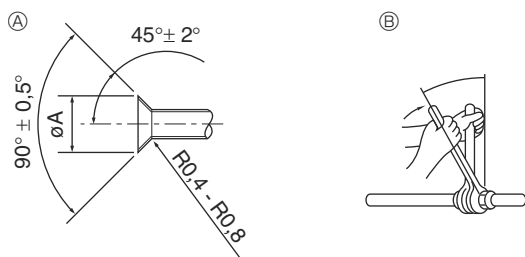
Qualora dell'aria si mescoli con il refrigerante, potrebbe far innalzare in modo anomalo la pressione nel tubo del refrigerante, il che potrebbe provocare un'esplosione o altri pericoli.

L'uso di refrigeranti diversi da quello specificato per il sistema provocherà guasti meccanici, malfunzionamenti del sistema o la rottura dell'unità. Nel peggiore dei casi, questo potrebbe impedire seriamente di garantire la messa in sicurezza del prodotto.

Dimensione tubo (mm)	$\phi 6,35$	$\phi 9,52$	$\phi 12,7$	$\phi 15,88$	$\phi 19,05$	$\phi 22,2$	$\phi 25,4$	$\phi 28,58$
Spessore (mm)	0,8	0,8	0,8	1,0	1,0	1,0	1,0	1,0

- Non utilizzare tubi più sottili di quanto specificato in precedenza.
- Se il diametro è uguale o superiore a 22,2 mm, utilizzare tubi 1/2 H o H.

4. Installazione della tubazione del refrigerante



Ⓐ Dimensioni di taglio per raccordo a cartella
Ⓑ Coppia di serraggio del dado a cartella

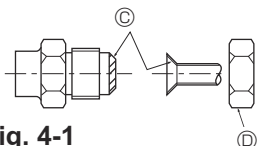


Fig. 4-1

Ⓐ (Fig. 4-1)

D.E. del tubo di rame (mm)	Dimensioni cartella dimensioni ØA (mm)
Ø6,35	8,7 - 9,1
Ø9,52	12,8 - 13,2
Ø12,7	16,2 - 16,6
Ø15,88	19,3 - 19,7
Ø19,05	23,6 - 24,0

Ⓑ (Fig. 4-1)

D.E. del tubo di rame (mm)	D.E. del dado a cartella (mm)	Coppia di serraggio (N·m)
Ø6,35	17	14 - 18
Ø6,35	22	34 - 42
Ø9,52	22	34 - 42
Ø12,7	26	49 - 61
Ø12,7	29	68 - 82
Ø15,88	29	68 - 82
Ø15,88	36	100 - 120
Ø19,05	36	100 - 120

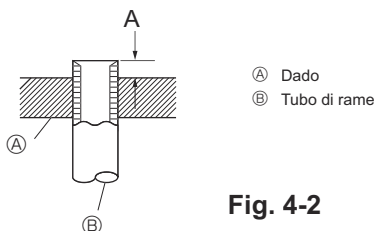


Fig. 4-2

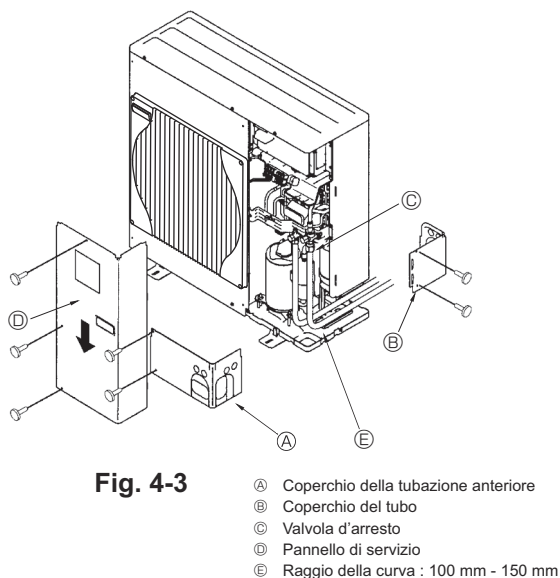


Fig. 4-3

Ⓐ Coperchio della tubazione anteriore
Ⓑ Coperchio del tubo
Ⓒ Valvola d'arresto
Ⓓ Pannello di servizio
Ⓔ Raggio della curva : 100 mm - 150 mm

4.2. Collegamento dei tubi (Fig. 4-1)

- Se vengono utilizzati dei tubi di rame disponibili in commercio, avvolgere del materiale di isolamento, disponibile in commercio, attorno ai tubi del liquido e del gas (resistente alla temperatura di 100°C o superiore, spessore di almeno 12 mm). Il contatto diretto con le tubature non schermate può provocare ustioni o congelamento.
- Le parti interne del tubo di drenaggio devono essere ricoperte di materiale di isolamento in schiuma di polietilene (gravità specifica di 0,03, spessore di almeno 9 mm).
- Stendere uno strato sottile di oliorefrigerante sul tubo e collegare la superficie di appoggio prima di serrare il dado a cartella. Ⓐ
- Serrare i raccordi dei tubi usando due chiavi. Ⓑ
- Una volta terminato il collegamento, usare un rivelatore di perdite di gas od una soluzione di acqua e sapone per controllare la presenza di eventuali perdite di gas.
- Applicare olio adatto alle macchine di refrigerazione sull'intera superficie di alloggiamento svasata. Ⓒ
- Utilizzare i dadi a cartella per le seguenti dimensioni di tubazioni. Ⓓ

	SW50	SW75	SW100, 120
Lato gas	Dimensioni tubo (mm) Ø12,7	Ø15,88	Ø15,88
Lato liquidi	Dimensioni tubo (mm) Ø6,35	Ø9,52	Ø9,52

- Nel caso si dovessero piegare i tubi, fare attenzione a non romperli. I raggi di piegatura compresi tra 100 mm e 150 mm sono sufficienti.
- Accertarsi che i tubi non vengano a contatto con il compressore. Possibili conseguenze sono una rumorosità anomala e vibrazioni.

- 1 Collegare i tubi partendo dall'unità interna.
Stringere le viti svasate con una chiave dinamometrica.
- 2 Svasare i tubi del liquido e del gas ed applicare un sottile strato di olio di refrigerazione (da applicare in loco).
- Nel caso si utilizzi un sistema di sigillatura dei tubi tradizionale, per maggiori indicazioni sulla svasatura dei tubi del refrigerante R410A, vedere la tabella 1.
Il calibro di regolazione misura può essere utilizzato per confermare le misure A.

Tabella 1 (Fig. 4-2)

D.E. del tubo di rame (mm)	A (mm)	
	Attrezzo per raccordi a cartella per R410A	
	Tipo a innesto	
Ø6,35 (1/4")	0 - 0,5	
Ø9,52 (3/8")	0 - 0,5	
Ø12,7 (1/2")	0 - 0,5	
Ø15,88 (5/8")	0 - 0,5	
Ø19,05 (3/4")	0 - 0,5	

⚠ Avvertenza:

Al momento dell'installazione dell'unità, collegare saldamente i tubi del refrigerante prima di azionare il compressore.

4.3. Tubazione del refrigerante (Fig. 4-3)

■ Per SW50

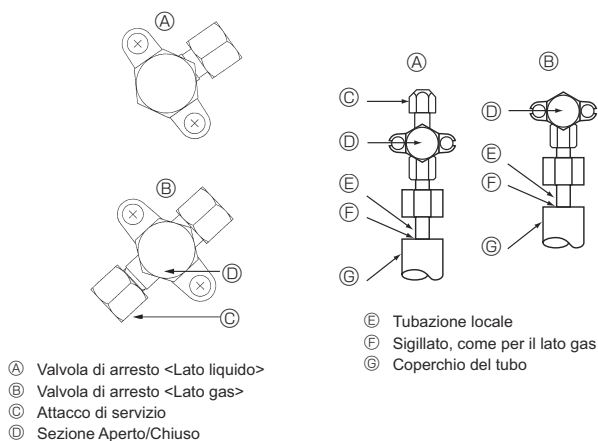
Rimuovere il pannello di servizio Ⓓ (1 vite).

■ Per SW75-120

Rimuovere il pannello di servizio Ⓓ (3 viti) e il coperchio della tubazione anteriore Ⓐ (2 viti) e il coperchio della tubazione posteriore Ⓑ (2 viti: SW75) (4 viti: SW100, 120).

- 1 Eseguire i collegamenti delle tubazioni refrigerante per l'unità interna/esterna quando la valvola d'arresto dell'unità esterna è completamente chiusa.
- 2 Vuotare l'aria dalla sezione interna e dalla tubazione di collegamento.
- 3 Dopo aver collegato i tubi del refrigerante, controllare gli altri tubi collegati e l'unità interna per verificare la presenza di eventuali perdite di gas. (Consultare il punto 4.4 Tubo del refrigerante e metodo di verifica tenuta.)
- 4 Una pompa a vuoto ad elevate prestazioni è usata all'apertura di servizio della valvola di arresto per mantenere il vuoto per un tempo adeguato (almeno un'ora dopo aver raggiunto -101 kPa (5 Torr)) al fine di asciugare a vuoto l'interno dei tubi. Controllare sempre il grado di vuoto presso il collettore strumenti. Nel caso sia rimasta umidità nel tubo, il grado di vuoto talvolta non è raggiunto applicando il vuoto per breve tempo. Dopo l'asciugatura a vuoto, aprire completamente le valvole di arresto (liquido e gas) per l'unità esterna. Questo permette di collegare completamente le linee refrigeranti interna ed esterna.
 - Se l'asciugatura a vuoto non è adeguata, all'interno delle linee potrebbero rimanere aria e vapore acqueo con la possibile conseguenza di un aumento anomalo dell'alta pressione, un abbassamento anomalo della bassa pressione, un deterioramento dell'olio refrigerante a causa dell'umidità, ecc.
 - Lasciando chiuse le valvole di arresto e mettendo in funzione l'unità, si rischia di danneggiare il compressore e le valvole di controllo.
 - Utilizzare un rivelatore di perdite o acqua saponata per verificare la presenza di eventuali perdite di gas nelle sezioni di giunzione dei tubi dell'unità esterna.
 - Non utilizzare il refrigerante dell'unità per spurgare l'aria dai tubi del refrigerante.
 - Terminato il lavoro con le valvole, stringere i cappucci delle valvole con la coppia di serraggio corretta: da 20 a 25 N·m (da 200 a 250 kgf·cm).
Se i cappucci non vengono sostituiti o stretti come previsto, si possono verificare perdite di refrigerante. Inoltre, non danneggiare la parte interna dei cappucci in quanto essi fungono da tenuta per prevenire eventuali perdite di refrigerante.
- 5 Utilizzare il sigillante per sigillare le estremità dell'isolamento termico attorno alle sezioni di giunzione dei tubi per prevenire la penetrazione dell'acqua nell'isolamento termico.

4. Installazione della tubazione del refrigerante



- Ⓐ Valvola di arresto <Lato liquido>
- Ⓑ Valvola di arresto <Lato gas>
- Ⓒ Attacco di servizio
- Ⓓ Sezione Aperto/Chiuso

- Ⓔ Tubazione locale
- Ⓕ Sigillato, come per il lato gas
- Ⓖ Coperchio del tubo

Fig. 4-4

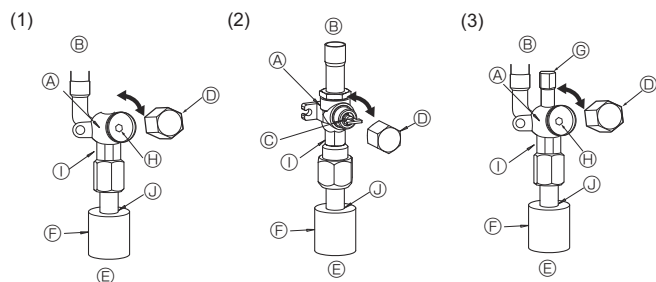


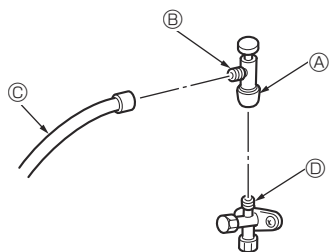
Fig. 4-5

Fig. 4-6

Fig. 4-7

- Ⓐ Valvola
- Ⓑ Lato unità
- Ⓒ Maniglia
- Ⓓ Cappuccio
- Ⓔ Lato tubazione locale
- Ⓕ Coperchio della tubazione
- Ⓖ Attacco di servizio
- Ⓗ Foro per la chiave

- Ⓘ Sezione doppia chiave
(Non utilizzare una chiave se non in questo punto. Potrebbero verificarsi perdite di refrigerante.)
- ⓵ Sezione tenuta
(Sigillare l'estremità del materiale isolante termico nel punto di collegamento delle tubazioni con qualsiasi materiale sigillante a disposizione, in modo che l'acqua non s'infiltri nel materiale termico isolante.)



- * La figura a sinistra costituisce un semplice esempio. La forma della valvola di arresto, la posizione dell'apertura di servizio, ecc., possono variare in funzione del modello.
- * Ruotare solo la parte Ⓐ.
(Non serrare ulteriormente le parti Ⓐ e Ⓑ l'una con l'altra.)

- Ⓒ Tubo di caricamento
- Ⓓ Apertura di servizio

Fig. 4-8

4.4. Tubo del refrigerante e metodo di verifica tenuta (Fig. 4-4)

- (1) Collegare gli strumenti di verifica.
 - Accertarsi che le valvole di arresto Ⓐ e Ⓑ siano chiuse e non aprirle.
 - Aggiungere pressione alle linee del refrigerante attraverso il punto per interventi di servizio Ⓒ della valvola di arresto del liquido Ⓐ.
- (2) Aggiungere gradualmente la pressione alla pressione specificata.
 - ① Pressurizzare a 0,5 MPa (5 kgf/cm²G), attendere cinque minuti ed accertarsi che la pressione non scenda.
 - ② Pressurizzare a 1,5 MPa (15 kgf/cm²G), attendere cinque minuti ed accertarsi che la pressione non scenda.
 - ③ Pressurizzare a 4,15 MPa (41,5 kgf/cm²G), attendere cinque minuti e misurare la temperatura circostante e la pressione del refrigerante.
- (3) Se la pressione specificata viene mantenuta per circa un giorno senza diminuire, significa che i tubi hanno superato la prova e non ci sono perdite.
 - Se la temperatura circostante cambia di 1°C, la pressione tende a cambiare di circa 0,01 MPa (0,1 kgf/cm²G). Apportare le modifiche necessarie.
- (4) Un calo di pressione nelle fasi (2) o (3) indica una perdita di gas. Cercare le cause della perdita.

4.5. Metodo di apertura della valvola di arresto

La modalità di aperture della valvola di arresto varia a seconda del modello dell'unità esterna. Utilizzare la modalità corretta per aprire le valvole di arresto.

- (1) Lato del gas di SW75 (Fig. 4-5)
 - ① Togliere il cappuccio e girare fino a quando è possibile l'asta della valvola in senso antiorario utilizzando una chiave esagonale di 4 mm. Smettere di girare quando si urta l'otturatore.
(\varnothing 15,88: circa 13 giri)
 - ② Assicurarsi che la valvola d'arresto sia completamente aperta e riportare il cappuccio alla posizione originale.
- (2) Lato gas di SW100, 120 (Fig. 4-6)
 - ① Rimuovere il cappuccio, tirare la maniglia verso di sé e ruotare di 1/4 di giro in senso antiorario per aprire.
 - ② Assicurarsi che la valvola d'arresto sia completamente aperta, spingere in dentro la maniglia e riportare il cappuccio alla posizione originale.
- (3) Lato liquido di SW75-120 e lato del gas/liquido di SW50-75 (Fig. 4-7)
 - ① Togliere il cappuccio e girare fino a quando è possibile l'asta della valvola in senso antiorario utilizzando una chiave esagonale di 4 mm. Smettere di girare quando si urta l'otturatore.
(\varnothing 9,52: circa 10 giri)
 - ② Assicurarsi che la valvola d'arresto sia completamente aperta, spingere in dentro la maniglia e riportare il cappuccio alla posizione originale.

I tubi del refrigerante sono avvolti in un materiale protettivo per SW75-120

- I tubi possono essere avvolti in un materiale protettivo fino ad un diametro di \varnothing 90 prima e dopo la connessione. Tagliare il foro di uscita nel coperchio del tubo dopo il solco ed avvolgere i tubi.

Spazio libero di ingresso del tubo per SW75-120

- Con del sigillante o del mastice sigillare la bocca di ingresso dei tubi in modo da non far rimanere nessuno spazio libero.
(La mancata chiusura degli spazi liberi può essere causa di rumorosità o perdite di acqua, nonché consentire la penetrazione dell'acqua con conseguenti guasti all'impianto.)

Precauzioni per l'utilizzo della valvola di caricamento (Fig. 4-8)

Non stringere eccessivamente l'apertura di servizio al momento dell'installazione, altrimenti il nucleo della valvola può deformarsi ed allentarsi, con il rischio di perdite di gas.

Dopo aver posizionato la parte Ⓑ nella direzione desiderata, ruotare unicamente la parte Ⓐ e serrarla.

Dopo aver serrato la parte Ⓐ, non serrare ulteriormente le parti Ⓐ e Ⓑ l'una con l'altra.

4.6. Aggiunta di refrigerante

- Per questa unità non è necessario un caricamento supplementare se la lunghezza del tubo non supera i 10 m.
- Se la lunghezza del tubo supera i 10 m, caricare l'unità con altro refrigerante R410A conformemente alle lunghezze dei tubi ammesse nel grafico in basso.
 - * Quando l'unità è ferma, caricare l'unità con altro refrigerante attraverso la valvola di arresto del liquido dopo aver creato il vuoto nei tubi di prolunga e nell'unità interna. Quando l'unità è in funzione, aggiungere il refrigerante alla valvola di controllo del gas utilizzando un caricatore di sicurezza. Non aggiungere il refrigerante liquido direttamente alla valvola di controllo.
 - * Dopo aver caricato il refrigerante nell'unità, annotare la quantità di refrigerante aggiunta sull'etichetta di servizio (applicata sull'unità).
- Per maggiori informazioni, vedere "1.4. Utilizzo delle unità esterne caricate con refrigerante R410A".

- Durante l'installazione di unità multiple, prestare estrema attenzione. Il collegamento ad un'unità interna sbagliata può causare un aumento anomalo della pressione, con gravi effetti sulle prestazioni dell'impianto.

Modello	Lunghezza del tubo consentita	Differenza verticale consentita	Quantità di caricamento di refrigerante supplementare					
			11 - 20 m	21 - 30 m	31 - 40 m	41 - 50 m	51 - 60 m	61 - 75 m
SW50	2 m - 40 m	-30 m	0,2 kg	0,4 kg	0,6 kg	—	—	—
SW75	2 m - 40 m	-30 m	0,15 kg	0,3 kg	0,6 kg	—	—	—
SW100, 120	2 m - 75 m	-30 m	0,2 kg	0,4 kg	1,0 kg	1,6 kg	2,2 kg	2,8 kg

5. Installazione della tubazione di drenaggio

Collegamento del tubo di drenaggio della sezione esterna

Se è necessario eseguire la tubazione di drenaggio, utilizzare il tubo o la vaschetta di drenaggio (in opzione).

	SW50	SW75	SW100, 120
Tubo di drenaggio	PAC-SJ08DS-E	PAC-SG61DS-E	
Vaschetta di drenaggio	PAC-SG63DP-E	PAC-SG64DP-E	

6. Installazione delle tubazioni dell'acqua

Quantità minima di acqua

Nel circuito idraulico è necessaria la quantità seguente di acqua.

Modello	Quantità minima di acqua (L)
SW50	22
SW75	32
SW100	43
SW120	54

Quando l'unità funziona in raffreddamento con bassa temperatura ambiente (inferiore a 0 °C), accertarsi di mettere in atto le misure antigelo, come l'applicazione della soluzione antigelo.

7. Collegamenti elettrici

7.1. Unità esterna (Fig. 7-1, Fig. 7-2)

- ① Rimuovere il pannello di servizio.
- ② Posizionare i cavi secondo la Fig. 7-1 e la Fig. 7-2.

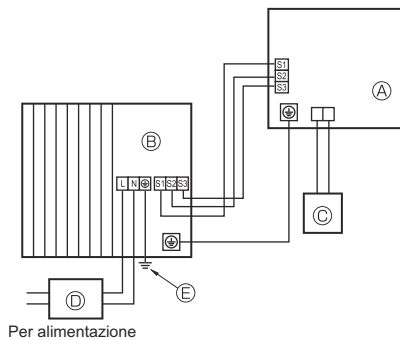
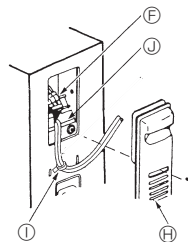


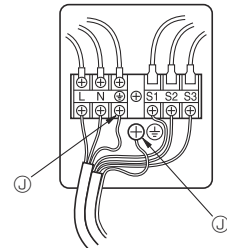
Fig. 7-1

- (A) Unità interna (Unità interfaccia/Regolatore temp. flusso)
- (B) Unità esterna
- (C) Telecomando
- (D) Interruttore generale (Interruttore delle perdite a terra)
- (E) Massa

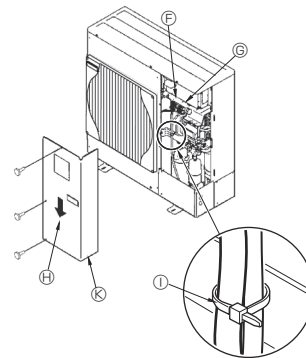
■ SW50



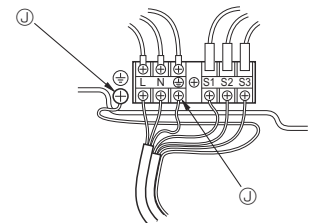
■ SW50



■ SW75-120



■ SW75-120V



■ SW100, 120Y

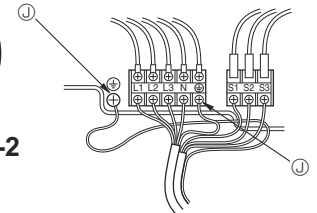


Fig. 7-2

- (F) Blocco terminale
- (G) Blocco terminale collegamento unità interna/esterna (S1, S2, S3)
- (H) Pannello di servizio
- (I) Fascetta serracavi

- * Fissare i cavi in modo che non tocchino il centro del pannello di servizio o la valvola del gas.
- (J) Morsetto di terra
- (K) Cablare i cavi in modo che non siano a contatto con il centro del pannello di servizio.

Nota:

Se il foglio di protezione della scatola dei componenti elettrici viene rimosso durante la manutenzione, accertarsi di ricollocarlo al suo posto.

⚠ Cautela:

Assicurarsi di installare la linea N. Senza la linea N, potrebbero verificarsi danni all'unità.

7. Collegamenti elettrici

7.2. Collegamenti elettrici locali

Modello unità esterna	SW50V	SW75V	SW100V	SW120V	SW100, 120Y	
Sezione esterna alimentazione	~N (Monofase), 50 Hz, 230 V	~N (Monofase), 50 Hz, 230 V	~N (Monofase), 50 Hz, 230 V	~N (Monofase), 50 Hz, 230 V	3N~ (3 fasi, 4 fili), 50 Hz, 400 V	
Capacità di ingresso unità esterna Interruttore principale (Interruttore di rete) *1	16 A	25 A	32 A	40 A	16 A	
Cablaggi N. filo x dimensione (mm ²)	Sezione esterna alimentazione	3 x Min. 1,5	3 x Min. 2,5	3 x Min. 4	3 x Min. 6	5 x Min. 1,5
	Sezione interna-Sezione esterna *2	3 x 1,5 (Polar)	3 x 1,5 (Polar)	3 x 1,5 (Polar)	3 x 1,5 (Polar)	3 x 1,5 (Polar)
	Messa a terra Sezione interna-Sezione esterna *2	1 x Min. 1,5	1 x Min. 1,5	1 x Min. 1,5	1 x Min. 1,5	1 x Min. 1,5
	Collegamento comando a distanza/sezione interna *3	2 x 0,3 (Senza polarità)	2 x 0,3 (Senza polarità)	2 x 0,3 (Senza polarità)	2 x 0,3 (Senza polarità)	2 x 0,3 (Senza polarità)
Capacità circuito	Sezione esterna L-N (Monofase)	230 V CA	230 V CA	230 V CA	230 V CA	230 V CA
	Sezione esterna L1-N, L2-N, L3-N (3 fasi) *4	230 V CA	230 V CA	230 V CA	230 V CA	230 V CA
	Sezione interna-Sezione esterna S1-S2 *4	24 V CC	24 V CC	24 V CC	24 V CC	24 V CC
	Sezione interna-Sezione esterna S2-S3 *4	12 V CC	12 V CC	12 V CC	12 V CC	12 V CC

*1. Utilizzare un interruttore automatico del circuito di dispersione a terra (NV) con una separazione dei contatti di almeno 3,0 mm in ogni polo.

Accertarsi che l'interruttore del circuito di dispersione sia compatibile con armoniche più alte.

Utilizzare sempre un interruttore del circuito di dispersione compatibile con armoniche più alte in quanto questa unità è dotata di inverter.

L'uso di un interruttore inadeguato può compromettere il funzionamento dell'inverter.

*2. Max. 45 m

Se si utilizzano cavi da 2,5 mm², Max. 50 m

Se si utilizzano cavi da 2,5 mm² ed S3 distinti, Max. 80 m

*3. Collegare un cavo da 10 m al controllore remoto.

*4. Questi valori NON vengono sempre applicati alla messa a terra.

La differenza di potenziale tra il terminale S3 e il terminale S2 è 24 V CC. Il collegamento tra i terminali S3 e S1 NON è isolato elettricamente dal trasformatore o da altri dispositivi.

Nota: 1. I collegamenti elettrici devono rispettare le pertinenti norme locali e nazionali.

2. I cavi di alimentazione e di collegamento della sezione interna/esterna non devono essere più leggeri dei cavi flessibili rivestiti di policloroprene (modello 60245 IEC 57).

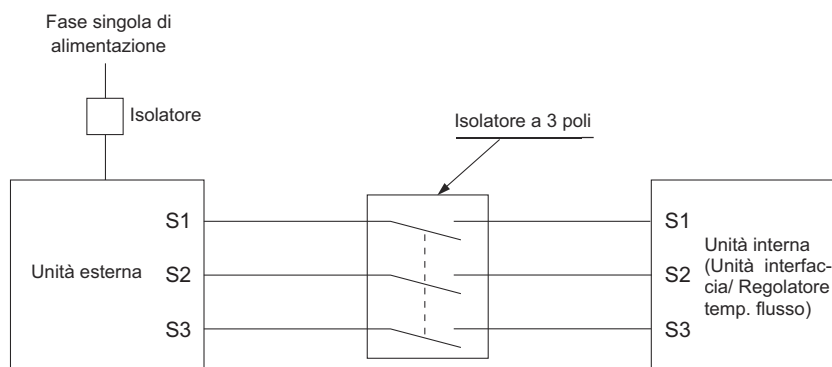
3. Collegare i cavi tra l'unità interna/il regolatore di temperatura del flusso e l'unità esterna direttamente alle unità (non sono consentiti collegamenti intermedi).

I collegamenti intermedi potrebbero generare errori di comunicazione. Se l'acqua dovesse entrare in un punto di congiunzione intermedio potrebbe causare un isolamento a terra insufficiente o un contatto elettrico scarso.

(Se dovesse essere necessario un collegamento intermedio, evitare che l'acqua possa entrare all'interno dei cavi.)

4. Installare un cavo di messa a terra più lungo degli altri cavi.

5. Non costruire un sistema la cui alimentazione venga attivata e disattivata frequentemente.

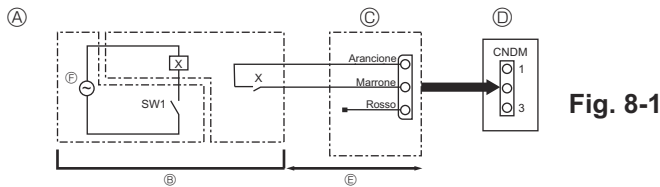


⚠ Avvertenza:

- Per i cavi di comando A, esiste un potenziale di alta tensione sul terminale S3, dovuto alla tipologia del circuito elettrico, che non dispone di isolamento elettrico tra la linea di alimentazione e la linea del segnale di comunicazione. Pertanto, quando si esegue la manutenzione, disinserire l'alimentazione principale. Inoltre, non toccare i terminali S1, S2, S3 quando è inserita l'alimentazione. Qualora sia necessario utilizzare un isolatore tra l'unità interna e l'unità esterna, utilizzare un isolatore di tipo a 3 poli.

Non giuntare mai il cavo dell'alimentazione o il cavo di collegamento interno-esterno, diversamente ciò potrebbe essere causa di fumo, incendio o mancato collegamento.

8. Funzioni speciali



- A Esempio di schema del circuito (modalità bassa rumorosità)
 B Disposizione in loco
 C Adattatore di input esterno (PAC-SC36NA-E)
 X: Relè
 D Pannello di comando dell'unità esterna
 E Max. 10 m
 F Alimentazione per relè

8.1. Modalità bassa rumorosità (modifica in loco) (Fig. 8-1)

Eseguendo la seguente modifica, la rumorosità dell'unità esterna può essere ridotta di circa 3-4 dB.

La modalità a bassa rumorosità viene attivata aggiungendo un timer disponibile in commercio o un'entrata di contatto di un interruttore ON/OFF sul connettore CNDM (optional) sul pannello di comando dell'unità esterna.

- La capacità dipende dalla temperatura e dalle condizioni esterne, ecc.
- ① Completare il circuito come illustrato utilizzando l'adattatore di entrata esterno (PAC-SC36NA-E) (optional).
 - ② SW7-1 (Pannello di comando dell'unità esterna): OFF
 - ③ SW1 ON: Modalità bassa rumorosità
SW1 OFF: Funzionamento normale

8.2. Recupero del refrigerante (Pompaggio)

Eseguire le seguenti procedure per recuperare il refrigerante nel caso si spostino l'unità interna o quella esterna.

- ① Alimentare l'impianto (interruttore automatico).
 - * Quando l'impianto viene alimentato, accertare che il messaggio "CENTRALLY CONTROLLED" non sia visualizzato sul telecomando. Se il messaggio "CENTRALLY CONTROLLED" fosse visualizzato, il recupero del refrigerante non può essere eseguito normalmente.
 - * La comunicazione tra unità interna ed esterna si avvia circa 3 minuti dopo l'accensione (interruttore di circuito). Avviare il pompaggio 3 o 4 minuti dopo l'accensione (interruttore di circuito su ON).
 - * In caso di controllo di unità multiple, prima dell'accensione scollegare il cablaggio tra l'unità interna principale e l'unità interna secondaria. Per ulteriori dettagli consultare il manuale di installazione dell'unità interna.
- ② Una volta che la valvola di arresto del liquido si chiude, impostare lo switch SWP sul pannello di comando dell'unità esterna su ON. Il compressore (unità esterna) e i ventilatori (unità interna ed esterna) iniziano a funzionare e la fase di recupero del refrigerante comincia. I LED1 e LED2 sul pannello di comando dell'unità esterna sono accesi.
 - * Mettere l'interruttore SWP (a pulsante) su ON soltanto se l'unità è spenta. Tuttavia, anche se l'unità è spenta e si mette l'interruttore SWP su ON meno di 3 minuti dopo l'arresto del compressore, sarà impossibile eseguire il recupero del refrigerante. Attendere che il compressore si sia fermato per 3 minuti, quindi mettere l'interruttore SWP di nuovo su ON.

- ③ Poiché l'unità si arresta automaticamente circa 2 o 3 minuti dopo il recupero del refrigerante (LED1 spento, LED2 acceso), chiudere velocemente la valvola di arresto del gas. Se il LED1 è acceso e il LED2 è spento e l'unità esterna si è arrestata, l'operazione di recupero refrigerante non si è svolta correttamente. Aprire completamente la valvola di arresto del liquido, quindi, trascorsi 3 minuti, ripetere le operazioni indicate al punto ②.
 - * Se il recupero del refrigerante è stato eseguito normalmente (LED1 spento, LED2 acceso), l'unità rimane spenta finché l'alimentazione è scollegata.
- ④ Scollegare l'alimentazione (interruttore di circuito).
 - * Tenere presente che quando i tubi di prolunga sono molto lunghi e vi è una grande quantità di refrigerante, può accadere che non si riesca ad eseguire l'operazione di pompaggio. Durante l'operazione di pompaggio, accertarsi che la bassa pressione venga ridotta fino a raggiungere quasi 0 MPa (manometro).

⚠ Avvertenza:

Quando si esegue il pompaggio del refrigerante, arrestare il compressore prima di scollegare i tubi del refrigerante. In caso di penetrazione di aria, ecc., il compressore potrebbe infatti esplodere.

9. Controllo del sistema

Impostare l'indirizzo del refrigerante utilizzando il dip switch dell'unità esterna.

Impostazioni della funzione di SW1

Impostazioni SW1	Indirizzo refrigerante	Impostazioni SW1	Indirizzo refrigerante
ON OFF 3 4 5 6 7	00	ON OFF 3 4 5 6 7	03
ON OFF 3 4 5 6 7	01	ON OFF 3 4 5 6 7	04
ON OFF 3 4 5 6 7	02	ON OFF 3 4 5 6 7	05

Nota:

- È possibile collegare fino a 6 unità.
- Le unità devono essere tutte dello stesso modello.
- Per le impostazioni dei dip switch dell'unità interna, consultare il manuale di installazione dell'unità interna.

10. Specifiche

Modello per ambienti esterni		PUHZ-SW50VKA	PUHZ-SW75VHA	PUHZ-SW100VHA	PUHZ-SW120VHA	PUHZ-SW100YHA	PUHZ-SW120YHA
Alimentazione	V / Fase / Hz	230 / Singolo / 50				400 / Tre / 50	
Dimensioni (A x L x P)	mm	809 x 630 x 360	950 x 943 x 330(+30)	950 x 1350 x 330(+30)			
Livello sonoro *1							
SPL	Riscaldamento	dB(A)	46	51	54	54	54
	Raffreddamento	dB(A)	46	48	50	51	51
PWL	Riscaldamento	dB(A)	63	69	70	72	72

*1 Misurato alla frequenza operativa nominale.

Περιεχόμενα

1. Προφυλακτικά Μέτρα Ασφαλείας.....	56	6. Εργασίες σωληνώσεων νερού	62
2. Χώρος εγκατάστασης	57	7. Ηλεκτρικές εργασίες	62
3. Εγκατάσταση της εξωτερικής μονάδας.....	59	8. Ειδικές λειτουργίες.....	64
4. Εγκατάσταση της σωλήνωσης ψυκτικού υγρού	59	9. Έλεγχος συστήματος.....	64
5. Εργασίες Σωληνώσεων Αποχέτευσης.....	62	10. Προδιαγραφές	64



Σημείωση: Το σύμβολο αυτό αφορά μόνο τις χώρες της ΕΕ.

Το σύμβολο αυτό είναι σύμφωνο με την οδηγία 2012/19/ΕΥ Άρθρο 14 Πληροφορίες για χρήστες και Παράρτημα ΙΧ.

Το προϊόν MITSUBISHI ELECTRIC που διαθέτετε είναι σχεδιασμένο και κατασκευασμένο από υλικά και εξαρτήματα υψηλής ποιότητας, τα οποία μπορούν να ανακυκλωθούν και να χρησιμοποιηθούν ξανά.

Το σύμβολο αυτό σημαίνει ότι ο ηλεκτρολογικός και ηλεκτρικός εξοπλισμός, στο τέλος της διάρκειας ζωής του, θα πρέπει να απορριφτεί ξεχωριστά από τα υπόλοιπα οικιακά απορρίμμάτα σας.

Παρακαλούμε διαθέστε (εξαιλίψτε) τον εξοπλισμό αυτό στον τοπικό σας κοινοτικό κέντρο συλλογής/ανακύκλωσης απορριμμάτων.

Στην Ευρωπαϊκή Ένωση υπάρχουν ξεχωριστά συστήματα συλλογής για τα χρησιμοποιημένα ηλεκτρολογικά και ηλεκτρικά προϊόντα.

Βοηθήστε μας να προστατεύσουμε το περιβάλλον στο οποίο ζούμε!

⚠ Προσοχή:

• Το R410A δεν πρέπει να διαχέεται στην ατμόσφαιρα:

• Το R410A είναι ένα φθοριοϋδρο αέριο θερμοκηπίου που, σύμφωνα με το Πρωτόκολλο του Κιότο, έχει δυναμικό θέρμανσης του πλανήτη (GWP)=1975.

1. Προφυλακτικά Μέτρα Ασφαλείας

- ▶ Πριν κάνετε την εγκατάσταση της μονάδας, βεβαιωθείτε ότι διαβάσατε όλα τα “Προφυλακτικά Μέτρα Ασφαλείας”.
- ▶ Πριν κάνετε τη σύνδεση στο σύστημα, παρακαλούμε να αναφέρετε ή να ζητήσετε επιβεβαίωση από τον αρμόδιο οργανισμό ανεφοδιασμού.

⚠ Προειδοποίηση:

Περιγράφει τα μέτρα ασφαλείας που πρέπει να λαμβάνονται για την πρόληψη του κινδύνου τραυματισμού ή και θανάτου του χρήστη.

⚠ Προσοχή:

Περιγράφει προφυλακτικά μέτρα που πρέπει να λαμβάνονται για ν' αποφεύγεται βλάβη στη μονάδα.

⚠ Προειδοποίηση:

- Η εγκατάσταση της μονάδας δεν πρέπει να γίνεται από το χρήστη. Ζητήστε από τον αντιπρόσωπο ή από εξουσιοδοτημένο τεχνικό να εγκαταστήσει τη μονάδα. Αν η εγκατάσταση της μονάδας δεν γίνει σωστά, μπορεί να προκληθεί διαρροή νερού, ηλεκτροπληξία ή πυρκαγιά.
- Για τις εργασίες εγκατάστασης, ακολουθήστε τις οδηγίες που υπάρχουν στο Εγχειρίδιο Εγκατάστασης και χρησιμοποιήστε τα κατάλληλα εργαλεία και τα εξαρτήματα σωλήνων που είναι ειδικά κατασκευασμένα για χρήση με το ψυκτικό R410A. Το ψυκτικό R410A στο σύστημα HFC βρίσκεται υπό 1,6 φορές μεγαλύτερη πίεση από την πίεση των κοινών ψυκτικών. Αν χρησιμοποιηθούν εξαρτήματα σωλήνων που δεν προορίζονται για χρήση με το ψυκτικό R410A και η εγκατάσταση της μονάδας δεν γίνει σωστά, οι σωλήνες μπορεί να σπάσουν και να προκαλέσουν ζημιές ή τραυματισμούς. Επίσης, μπορεί να προκληθεί διαρροή νερού, ηλεκτροπληξία ή πυρκαγιά.
- Η εγκατάσταση της μονάδας πρέπει να γίνει σύμφωνα με τις οδηγίες προκειμένου να ελαχιστοποιηθεί ο κίνδυνος ζημιών από σεισμούς, τυφώνες ή δυνατούς ανέμους. Όταν η μονάδα δεν είναι σωστά εγκατεστημένη, μπορεί να πέσει και να προκαλέσει ζημιά ή τραυματισμό.
- Η μονάδα πρέπει να εγκατασταθεί και να στερεωθεί καλά σε μια επιφάνεια που μπορεί να αντέξει το βάρος της. Αν η μονάδα τοποθετηθεί σε ασταθή επιφάνεια, μπορεί να πέσει και να προκαλέσει τραυματισμούς.
- Αν το κλιματιστικό πρόκειται να εγκατασταθεί σε μικρό χώρο, πρέπει να ληφθούν μέτρα προκειμένου να αποτραπεί η συγκέντρωση ψυκτικού στο δωμάτιο επάνω από το όριο ασφαλείας σε περίπτωση που σημειωθεί διαρροή. Συμβουλευτείτε τον αντιπρόσωπο για τα κατάλληλα μέτρα που πρέπει να λάβετε προκειμένου να αποτρέψετε την υπέρβαση των ορίων ασφαλείας όσον αφορά τη συγκέντρωση ψυκτικού. Αν σημειωθεί διαρροή ψυκτικού και υπέρβαση του ορίου συγκέντρωσης, υπάρχει σοβαρός κίνδυνος για την υγεία εξαιτίας της έλλειψης οξυγόνου στο δωμάτιο.
- Αερίστε το χώρο σε περίπτωση διαρροής ψυκτικού κατά τη λειτουργία της μονάδας. Αν το ψυκτικό έρθει σε επαφή με φλόγα, θα απελευθερωθούν δηλητηριώδη αέρια.
- Όλες οι ηλεκτρικές εργασίες πρέπει να εκτελούνται από εκπαιδευμένο τεχνικό και σύμφωνα με τους τοπικούς κανονισμούς και τις οδηγίες που δίνονται σε αυτό το εγχειρίδιο. Τα κλιματιστικά πρέπει να τροφοδοτούνται από ξεχωριστές γραμμές και να χρησιμοποιείται η σωστή τάση καθώς και οι κατάλληλοι ασφαλειοδιακόπτες. Οι γραμμές τροφοδοσίας με ανεπαρκή ισχύ ή οι εσφαλμένες ηλεκτρικές συνδέσεις μπορεί να προκαλέσουν ηλεκτροπληξία ή πυρκαγιά.
- Χρησιμοποιήστε φωσφορούχο κρατέρωμα C1220 για τη σύνδεση των σωληνώσεων ψυκτικού, όταν έχετε χαλκοσωλήνες και σωλήνες κράματος χαλκού

1.1. Προετοιμασία για την εγκατάσταση

⚠ Προσοχή:

- Μην χρησιμοποιείτε τη μονάδα σε ασυνήθιστους χώρους. Αν η εξωτερική μονάδα εγκατασταθεί σε χώρους όπου υπάρχουν ατμοί, πτητικό λάδι (συμπεριλαμβανομένων των λαδιών μηχανημάτων) ή θειικά αέρια, σε περιοχές όπου υπάρχει υψηλή περιεκτικότητα σε αλάτι όπως τα παράλια, ή σε χώρους όπου υπάρχει ενδεχόμενο η μονάδα να σκεπαστεί με χιόνι, η απόδοσή του μπορεί να μειωθεί σημαντικά και τα εσωτερικά του μέρη να καταστραφούν.
- Μην εγκαθιστάτε τη μονάδα σε σημεία όπου υπάρχει κίνδυνος διαρροής, απελευθέρωσης, κυκλοφορίας ή συγκέντρωσης εύφλεκτων αερίων. Αν γύρω από τη μονάδα συγκεντρωθούν εύφλεκτα αέρια, υπάρχει κίνδυνος πυρκαγιάς ή έκρηξης.

Αφού ολοκληρωθούν οι εργασίες για την εγκατάσταση, περιγράψτε στον πελάτη τα “Προφυλακτικά Μέτρα Ασφαλείας”, τη χρήση και τη συντήρηση της μονάδας σύμφωνα με τις πληροφορίες στο Εγχειρίδιο Λειτουργίας και εκτελέστε τη δοκιμαστική λειτουργία για να σιγουρευτείτε ότι η μονάδα λειτουργεί κανονικά. Το Εγχειρίδιο Εγκατάστασης και το Εγχειρίδιο Λειτουργίας πρέπει να δοθούν στο χρήστη για αναφορά. Τα εγχειρίδια αυτά πρέπει να δίνονται και στους επόμενους χρήστες της μονάδας.

⚠ : Δείχνει μέρος της συσκευής που πρέπει να γειώνεται.

⚠ Προειδοποίηση:

Διαβάξτε προσεκτικά τις ετικέτες που είναι κολλημένες πάνω στην κύρια μονάδα.

- χωρίς ενώσεις. Αν η σύνδεση των σωληνώσεων δεν γίνει σωστά, η μονάδα δεν θα είναι κατάλληλα γειωμένη και μπορεί να προκληθεί ηλεκτροπληξία.
- Χρησιμοποιείτε μόνο τα συνιστώμενα καλώδια για την καλωδίωση. Οι συνδέσεις της καλωδίωσης πρέπει να γίνονται σωστά χωρίς να ασκείται πίεση στις συνδέσεις των τερματικών. Επίσης, ποτέ μη συγκολλήσετε τα καλώδια για την καλωδίωση (εκτός αν αναφέρεται διαφορετικά σε αυτό το έγγραφο). Σε περίπτωση που δεν ακολουθήσετε αυτές τις οδηγίες μπορεί να προκληθεί υπερθέρμανση ή πυρκαγιά.
- Το κάλυμμα της πλακέτας ακροδεκτών της εξωτερικής μονάδας πρέπει να είναι καλά στερεωμένο στη θέση του. Αν το κάλυμμα δεν τοποθετηθεί σωστά και εισχωρήσει στη μονάδα σκόνη και υγρασία, μπορεί να προκληθεί ηλεκτροπληξία ή πυρκαγιά.
- Κατά την εγκατάσταση ή τη μετακίνηση της εξωτερικής μονάδας, χρησιμοποιείτε μόνο το συνιστώμενο ψυκτικό (R410A) για την πλήρωση των γραμμών ψυκτικού. Μην αναμιγνύετε με άλλο ψυκτικό μέσο και μην αφήνετε τον αέρα να παραμείνει μέσα στις γραμμές. Εάν αναμιχθεί αέρας με το ψυκτικό, ενδέχεται να προκαλέσει ασυνήθιστα υψηλή πίεση στη γραμμή ψυκτικού, με ενδεχόμενο έκρηξης και άλλους κινδύνους. Η χρήση ψυκτικού διαφορετικού από αυτό που καθορίζεται για το σύστημα θα προκαλέσει μηχανική βλάβη ή δυσλειτουργία του συστήματος ή ζημιά στο σύστημα. Στη χειρότερη περίπτωση, μια τέτοια ενέργεια ενδέχεται να υπονομεύσει την ασφάλεια του προϊόντος.
- Χρησιμοποιείτε μόνο συγκεκριμένα εξαρτήματα από την Mitsubishi Electric και για την εγκατάστασή τους καλέστε τον αντιπρόσωπο ή εξουσιοδοτημένο τεχνικό. Αν τα εξαρτήματα δεν εγκατασταθούν σωστά, μπορεί να προκληθεί διαρροή νερού, ηλεκτροπληξία ή πυρκαγιά.
- Μην επιχειρήσετε να τροποποιήσετε τη μονάδα. Απευθυνθείτε στον αντιπρόσωπο για εργασίες επισκευής. Αν οι τροποποιήσεις ή οι επισκευές δεν εκτελεστούν σωστά, μπορεί να προκύψει διαρροή νερού, ηλεκτροπληξία ή πυρκαγιά.
- Ο χρήστης δεν πρέπει ποτέ να επιχειρήσει να επισκευάσει τη μονάδα ή να τη μεταφέρει σε άλλη θέση χωρίς τη βοήθεια ειδικού προσωπικού. Αν η μονάδα δεν εγκατασταθεί σωστά, μπορεί να προκληθεί διαρροή νερού, ηλεκτροπληξία ή πυρκαγιά. Αν η εξωτερική μονάδα πρέπει να επισκευαστεί ή να μεταφερθεί, ζητήστε τη βοήθεια του αντιπροσώπου ή ενός εκπαιδευμένου τεχνικού.
- Αφού ολοκληρωθεί η εγκατάσταση, ελέγξτε για τυχόν διαρροές ψυκτικού. Αν υπάρχει διαρροή ψυκτικού στο δωμάτιο και έρθει σε επαφή με τη φλόγα μιας ηλεκτρικής θερμάστρας ή μιας φορητής εστίας μαγειρέματος, υπάρχει κίνδυνος να απελευθερωθούν δηλητηριώδη αέρια.

1. Προφυλακτικά Μέτρα Ασφαλείας

1.2. Προετοιμασία για την εγκατάσταση (μεταφορά)

⚠ Προσοχή:

- Να είστε ιδιαίτερα προσεκτικοί κατά την μεταφορά ή την εγκατάσταση των μονάδων. Για τη μεταφορά της μονάδας, η οποία ζυγίζει τουλάχιστον 20 kg, χρειάζονται δύο ή και περισσότερα άτομα. Μην τη σηκώνετε από τις ταινίες συσκευασίας. Να φοράτε προστατευτικά γάντια κατά την αφαίρεση της μονάδας από την συσκευασία και κατά την μεταφορά της, επειδή μπορεί να τραυματίσετε τα χέρια σας πάνω στα πτερύγια ή στα άκρα άλλων εξαρτημάτων.
- Βεβαιωθείτε ότι τα υλικά συσκευασίας έχουν πεταχτεί σε ασφαλές μέρος. Τα υλικά συσκευασίας, όπως τα καρφιά και άλλα μεταλλικά ή ξύλινα μέρη, μπορεί να προκαλέσουν κοψίματα ή άλλους τραυματισμούς.

- Η βάση και τα σημεία στήριξης της εξωτερικής μονάδας πρέπει να ελέγχονται περιοδικά μήπως έχουν χαλαρώσει, σπάσει ή έχουν υποστεί άλλη ζημιά. Αν δεν διορθώσετε τις ζημιές αυτές, η μονάδα μπορεί να πέσει προκαλώντας ζημιά ή τραυματισμούς.
- Μην καθαρίζετε την εξωτερική μονάδα με νερό. Μπορεί να πάθετε ηλεκτροπληξία.
- Σφίξτε όλα τα περικόχλια εκκείλωσης σύμφωνα με τις προδιαγραφές χρησιμοποιώντας ένα δυναμόκλειδο. Αν τα σφίξετε πάρα πολύ, μπορεί να σπάσουν μετά από ορισμένο χρονικό διάστημα και να σημειωθεί διαρροή ψυκτικού.

1.3. Προετοιμασία για τις ηλεκτρικές εργασίες

⚠ Προσοχή:

- Φροντίστε να τοποθετήσετε διακόπτες κυκλώματος. Διαφορετικά, μπορεί να προκληθεί ηλεκτροπληξία.
- Για τις γραμμές τροφοδοσίας, χρησιμοποιήστε καλώδια του εμπορίου επαρκούς ισχύος. Διαφορετικά, μπορεί να προκληθεί βραχυκύκλωμα, υπερθέρμανση ή πυρκαγιά.
- Όταν συνδέετε τις γραμμές τροφοδοσίας, μην τεντώνετε υπερβολικά τα καλώδια. Αν οι συνδέσεις χαλαρώσουν, τα καλώδια μπορεί να σπάσουν με συνέπεια να προκληθεί υπερθέρμανση ή πυρκαγιά.

- Φροντίστε να γείωσετε τη μονάδα. Μην συνδέετε το καλώδιο γείωσης σε σωλήνες αερίου ή υγρού, κολώνες ρεύματος ή τηλεφωνικές γραμμές. Αν η μονάδα δεν είναι κατάλληλα γειωμένη, μπορεί να προκληθεί ηλεκτροπληξία.
- Χρησιμοποιήστε διακόπτες κυκλώματος (διακόπτης κυκλώματος βλάβης γείωσης, διακόπτης απομόνωσης κυκλώματος (ασφάλεια +B), και διακόπτης κυκλώματος σε χυτευτό κουτί) με την ενδεδειγμένη χωρητικότητα. Αν η χωρητικότητα του διακόπτη κυκλώματος είναι μεγαλύτερη από την ενδεδειγμένη, μπορεί να προκληθεί βλάβη ή πυρκαγιά.

1.4. Χρήση εξωτερικών μονάδων με ψυκτικό μέσο R410A

⚠ Προσοχή:

- Χρησιμοποιήστε φωσφορούχο κρατέρωμα C1220 για τη σύνδεση των σωληνώσεων ψυκτικού, όταν έχετε χαλκοσωλήνες και σωλήνες κράματος χαλκού χωρίς ενώσεις. Βεβαιωθείτε ότι οι εσωτερικές επιφάνειες των σωληνών είναι καθαρές και δεν περιέχουν επικίνδυνες προσμίξεις όπως θεικές ενώσεις, οξειδωτικά, ρινίσματα ή σκόνη. Χρησιμοποιείτε σωλήνες με το συνιστώμενο πάχος. (Ανατρέξτε στη 4.1.) Αν πρόκειται να χρησιμοποιήσετε ξανά παλιούς σωλήνες που περιείχαν ψυκτικό R22, προσέξτε τα παρακάτω.
 - Αντικαταστήστε τα παλιά περικόχλια εκκείλωσης και εκκείλωση ξανά τα διαπλατυσμένα τμήματα.
 - Μην χρησιμοποιείτε σωλήνες με πολύ μικρό πάχος. (Ανατρέξτε στη 4.1.)
- Φυλάξτε τους σωλήνες που θα χρησιμοποιήσετε στην εγκατάσταση σε εσωτερικό χώρο και σφραγίστε και τα δύο άκρα των σωληνών μέχρι να εκτελέσετε τις εργασίες χαλκοκόλλησης. (Μην βγάλετε τα γωνιακά ρακόρ κτλ. από τη συσκευασία τους.) Αν στις σωληνώσεις ψυκτικού μπουν σκόνη, ρινίσματα ή υγρασία, υπάρχει κίνδυνος να προκληθεί αλλοίωση της ποιότητας του λαδιού ή βλάβη του συμπιεστή.
- Χρησιμοποιήστε λάδι εστέρα, λάδι αιθέρα ή αλκυλιοβενζόλη (μικρή ποσότητα) σαν ψυκτικό λάδι για την εφαρμογή στα διαπλατυσμένα τμήματα. Το ψυκτικό λάδι αν αναμιχθεί με ορυκτέλαιο, θα αλλοιωθεί.

- Μην χρησιμοποιείτε άλλο ψυκτικό από το R410A. Αν χρησιμοποιήσετε άλλο ψυκτικό, το χλώριο στο ψυκτικό μπορεί να προκαλέσει αλλοίωση στην ποιότητα του λαδιού.
- Χρησιμοποιήστε τα παρακάτω εργαλεία που προορίζονται ειδικά για χρήση με το ψυκτικό R410A. Τα παρακάτω εργαλεία είναι απαραίτητα για τη χρήση ψυκτικού R410A. Για τυχόν απορίες, απευθυνθείτε στον πλησιέστερο αντιπρόσωπο.

Εργαλεία (για R410A)	
Πολλαπλός μετρητής	Εργαλείο διαπλάτυσης
Σωλήνας πλήρωσης	Μετρητής διαστάσεων
Ανιχνευτής διαρροής αερίου	Σωλήνας αντλίας κενού
Δυναμόκλειδο	Ηλεκτρονικός ζυγός πλήρωσης ψυκτικού

- Χρησιμοποιείτε πάντα τα κατάλληλα εργαλεία. Αν στις σωληνώσεις ψυκτικού μπουν σκόνη, ρινίσματα ή υγρασία, υπάρχει κίνδυνος να προκληθεί αλλοίωση του ψυκτικού λαδιού.
- Μην χρησιμοποιείτε κύλινδρο γόμωσης. Αν χρησιμοποιήσετε κύλινδρο γόμωσης, η σύνθεση του ψυκτικού μέσου θα αλλάξει και θα μειωθεί η απόδοσή του.

2. Χώρος εγκατάστασης

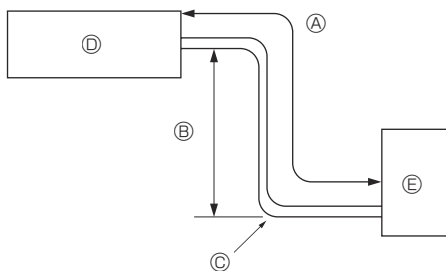


Fig. 2-1

2.1. Σωλήνες ψυκτικού (Fig. 2-1)

- ▶ Ελέγξτε ότι η υψομετρική διαφορά μεταξύ της εσωτερικής και της εξωτερικής μονάδας, το μήκος της σωληνώσεως για το ψυκτικό και ο αριθμός όπου κάμπτονται οι σωληνώσεις, βρίσκονται εντός των ορίων που καθορίζονται στον πίνακα πιο κάτω.

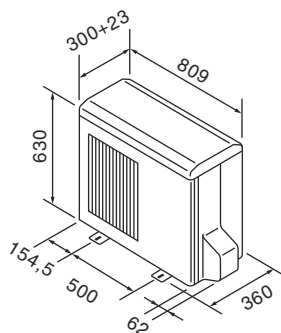
Μοντέλο	Ⓐ Μήκος σωληνώσεως (μία κατεύθυνση)	Ⓑ Υψομετρική διαφορά	Ⓒ Αριθμός κάμψεων (μία κατεύθυνση)
SW50	2 m - 40 m	Μέγ. 30 m	Μέγ. 15
SW75	2 m - 40 m	Μέγ. 30 m	Μέγ. 15
SW100, 120	2 m - 75 m	Μέγ. 30 m	Μέγ. 15

- Ο περιορισμός στη διαφορά ύψους καθορίζεται ανεξάρτητα από το ποια μονάδα, εσωτερική ή εξωτερική, έχει τοποθετηθεί υψηλότερα.

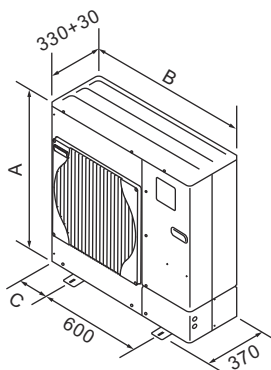
- Ⓓ Εσωτερική μονάδα
- Ⓔ Εξωτερική μονάδα

2. Χώρος εγκατάστασης

■ SW50



■ SW75, 100, 120



Μοντέλο	A (mm)	B (mm)	C (mm)
SW75	943	950	175
SW100	1350	950	175
SW120	1350	950	175

Fig. 2-2

(mm)

2.2. Επιλογή σημείου εγκατάστασης εξωτερικής μονάδας

- Αποφύγετε σημεία άμεσα εκτεθειμένα στην ηλιακή ακτινοβολία ή σε άλλες πηγές θερμότητας.
- Επιλέξτε ένα σημείο στο οποίο ο θόρυβος που εκπέμπεται από τη μονάδα να μην ενοχλεί τους γείτονες.
- Επιλέξτε μια θέση που επιτρέπει την εύκολη σύνδεση των καλωδίων και των σωληνών στην πηγή τροφοδοσίας και στην εσωτερική μονάδα.
- Αποφύγετε σημεία όπου υπάρχει κίνδυνος διαρροής, απελευθέρωσης, κυκλοφορίας ή συγκέντρωσης εύφλεκτων αερίων.
- Έχετε υπόψη σας ότι κατά τη λειτουργία του κλιματιστικού, μπορεί να τρέχει νερό από τη μονάδα.
- Επιλέξτε μια επίπεδη επιφάνεια η οποία να μπορεί να αντέξει το βάρος και τους κραδασμούς της μονάδας.
- Αποφύγετε σημεία όπου η μονάδα μπορεί να σκεπαστεί με χιόνι. Σε περιοχές όπου σημειώνονται δυνατές χιονοπτώσεις, πρέπει να παίρνετε ειδικές προφυλάξεις, όπως η ανύψωση της θέσης εγκατάστασης ή η τοποθέτηση κουκούλας στη θυρίδα εισαγωγής του αέρα, ώστε να μην μπλοκάρει με χιόνι και να αποφεύγεται η απευθείας πτώση του χιονιού. Σε αντίθετη περίπτωση, μπορεί να μειωθεί η ποσότητα της ροής του αέρα και να προκληθεί βλάβη.
- Αποφύγετε μέρη εκτεθειμένα σε λάδια, ατμούς ή θειικά αέρια.
- Χρησιμοποιείτε τις λαβές μεταφοράς της εξωτερικής μονάδας όταν πρόκειται να μετακινήσετε τη μονάδα. Αν μεταφέρετε τη μονάδα κρατώντας την από την κάτω πλευρά της, μπορεί να τραυματιστούν τα δάχτυλα ή τα χέρια σας.

2.3. Εξωτερικές διαστάσεις (Εξωτερική μονάδα) (Fig. 2-2)

2.4. Εξαερισμός και χώρος συντήρησης

2.4.1. Εγκατάσταση σε σημείο εκτεθειμένο στον άνεμο

Όταν η εγκατάσταση της εξωτερικής μονάδας γίνεται σε στέγη ή σε άλλη θέση που δεν είναι προστατευμένη από τον αέρα, τα στόμια εξαγωγής του αέρα πρέπει να να τοποθετούνται με τρόπο ώστε να μην είναι άμεσα εκτεθειμένα σε δυνατούς ανέμους. Όταν δυνατός αέρας φυσά απευθείας στο στόμιο εξαγωγής του αέρα, εμποδίζεται η κανονική ροή του αέρα και υπάρχει κίνδυνος βλάβης.

Στη συνέχεια, βλέπετε τρία παραδείγματα προφυλάξεων από δυνατούς ανέμους.

- ① Τοποθετήστε τη μονάδα ώστε το στόμιο εξαγωγής του αέρα να είναι στραμμένο προς τον πλησιέστερο διαθέσιμο τοίχο και να απέχει περίπου 50 cm. (Fig. 2-3)
- ② Τοποθετήστε έναν προαιρετικό οδηγό αέρα, αν πρόκειται να εγκαταστήσετε τη μονάδα σε σημεία όπου υπάρχει το ενδεχόμενο να φυσούν απευθείας στο στόμιο εξαγωγής του αέρα πολύ δυνατοί άνεμοι κτλ. (Fig. 2-4)
 - Ⓐ Οδηγός αέρα
- ③ Εγκαταστήστε τη μονάδα με τρόπο ώστε ο αέρας που βγαίνει από το στόμιο εξαγωγής να φυσά κάθεται σε σχέση με την κατεύθυνση του ανέμου, εάν αυτό είναι δυνατό. (Fig. 2-5)
 - Ⓑ Κατεύθυνση ανέμου

2.4.2. Εγκατάσταση μονής εξωτερικής μονάδας (Ανατρέξτε στην τελευταία σελίδα)

Οι ελάχιστες διαστάσεις έχουν ως εξής, εκτός αν επισημαίνεται η μέγ., που σημαίνει μέγιστες διαστάσεις.

Οι αριθμοί στις παρενθέσεις αφορούν τα μοντέλα SW100, 120.

Για κάθε περίπτωση ανατρέξτε στους αριθμούς.

- ① Εμπόδια στην πίσω πλευρά μόνο (Fig. 2-6)
- ② Εμπόδια στην πίσω και επάνω πλευρά μόνο (Fig. 2-7)
 - Μην χρησιμοποιείτε τους προαιρετικούς οδηγούς στο στόμιο εξαγωγής του αέρα για κατεύθυνση της ροής προς τα πάνω.
- ③ Εμπόδια στην πίσω και στις δύο πλαϊνές πλευρές μόνο (Fig. 2-8)
 - * 350 για SW50
- ④ Εμπόδια στην μπροστινή πλευρά μόνο (Fig. 2-9)
 - * Όταν χρησιμοποιείτε προαιρετικό οδηγό στο στόμιο εξαγωγής του αέρα, η απόσταση για τα μοντέλα SW100, 120 είναι 500 mm ή περισσότερο.
- ⑤ Εμπόδια στην μπροστινή και την πίσω πλευρά μόνο (Fig. 2-10)
 - * Όταν χρησιμοποιείτε προαιρετικό οδηγό στο στόμιο εξαγωγής του αέρα, η απόσταση για τα μοντέλα SW100, 120 είναι 500 mm ή περισσότερο.
- ⑥ Εμπόδια στην πίσω, στις δύο πλαϊνές και στην επάνω πλευρά μόνο (Fig. 2-11)
 - * 350 για SW50
 - Μην χρησιμοποιείτε τους προαιρετικούς οδηγούς στο στόμιο εξαγωγής του αέρα για κατεύθυνση της ροής προς τα πάνω.

2.4.3. Εγκατάσταση πολλαπλών εξωτερικών μονάδων (Ανατρέξτε στην τελευταία σελίδα)

Αφήστε ελεύθερο χώρο 350 mm για τα SW50 και 10 mm για τα SW75-120 ή περισσότερο μεταξύ των μονάδων.

Οι αριθμοί στις παρενθέσεις αφορούν τα μοντέλα SW100, 120.

Για κάθε περίπτωση ανατρέξτε στους αριθμούς.

- ① Εμπόδια στην πίσω πλευρά μόνο (Fig. 2-12)
- ② Εμπόδια στην πίσω και επάνω πλευρά μόνο (Fig. 2-13)
 - Δεν πρέπει να εγκαθιστάτε περισσότερες από τρεις μονάδες στη σειρά. Επιπλέον, πρέπει να αφήνετε ελεύθερο χώρο μεταξύ τους όπως δείχνει η εικόνα.
 - Μην χρησιμοποιείτε τους προαιρετικούς οδηγούς στο στόμιο εξαγωγής του αέρα για κατεύθυνση της ροής προς τα πάνω.
- ③ Εμπόδια στην μπροστινή πλευρά μόνο (Fig. 2-14)
 - * Όταν χρησιμοποιείτε προαιρετικό οδηγό στο στόμιο εξαγωγής του αέρα, η απόσταση για τα μοντέλα SW100, 120 είναι 1000 mm ή περισσότερο.
- ④ Εμπόδια στην μπροστινή και την πίσω πλευρά μόνο (Fig. 2-15)
 - * Όταν χρησιμοποιείτε προαιρετικό οδηγό στο στόμιο εξαγωγής του αέρα, η απόσταση για τα μοντέλα SW100, 120 είναι 1000 mm ή περισσότερο.
- ⑤ Απλή παράλληλη διάταξη μονάδων (Fig. 2-16)
 - * Όταν χρησιμοποιείτε προαιρετικό οδηγό στο στόμιο εξαγωγής του αέρα για κατεύθυνση της ροής προς τα πάνω, η απόσταση είναι 500 (1000) mm ή περισσότερο.
- ⑥ Πολλαπλή παράλληλη διάταξη μονάδων (Fig. 2-17)
 - * Όταν χρησιμοποιείτε προαιρετικό οδηγό στο στόμιο εξαγωγής του αέρα για κατεύθυνση της ροής προς τα πάνω, η απόσταση είναι 1000 (1500) mm ή περισσότερο.
- ⑦ Διάταξη μονάδων σε στοίβα (Fig. 2-18)
 - Οι μονάδες μπορούν να τοποθετηθούν και σε στοίβα (μέχρι δύο μονάδες).
 - Δεν μπορείτε να τοποθετήσετε στη σειρά περισσότερες από δύο στοίβες. Επιπλέον, πρέπει να αφήνετε ελεύθερο χώρο μεταξύ τους όπως δείχνει η εικόνα.

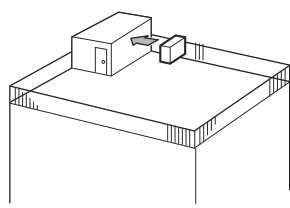


Fig. 2-3

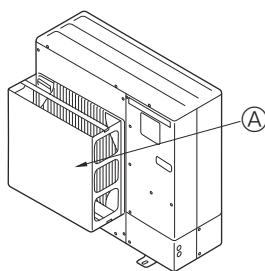


Fig. 2-4

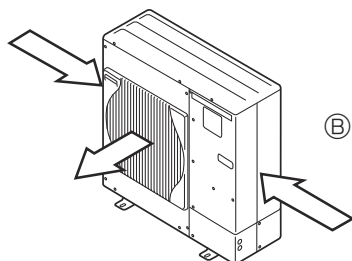
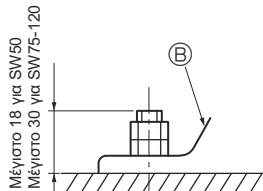
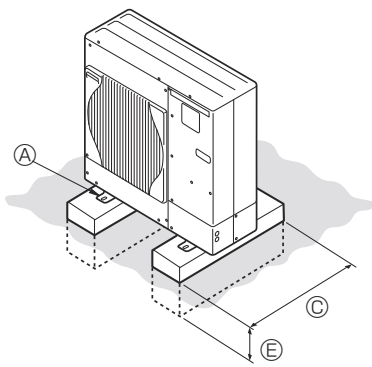


Fig. 2-5

3. Εγκατάσταση της εξωτερικής μονάδας



- Α Μπουλόνι M10 (3/8")
- Β Βάση
- Γ Όσο το δυνατόν περισσότερο.
- Δ Άνοιγμα εξαερισμού
- Ε Τοποθετήστε βαθιά στο έδαφος

(mm)

- Η μονάδα πρέπει να τοποθετηθεί σε σταθερή και επίπεδη επιφάνεια για την αποφυγή θορύβων κατά τη λειτουργία. (Fig. 3-1)

<Χαρακτηριστικά θεμελίωσης>

Μπουλόνι θεμελίωσης	M10 (3/8")
Πάχος σκυροδέματος	120 mm
Μήκος μπουλονιού	70 mm
Βάρος-ικανότητα συγκράτησης	320 kg

- Βεβαιωθείτε ότι το μήκος του μπουλονιού θεμελίωσης είναι το πολύ 30 mm από την κάτω επιφάνεια της βάσης.
- Στερεώστε καλά τη βάση της μονάδας με τέσσερα μπουλόνια θεμελίωσης M10 σε σταθερή επιφάνεια.

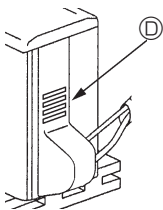
Εγκατάσταση της εξωτερικής μονάδας

- Μην φράσετε το άνοιγμα εξαερισμού. Σε αντίθετη περίπτωση, η λειτουργία της μονάδας παρεμποδίζεται και μπορεί να προκληθεί ζημιά.
- Εκτός από τη βάση της μονάδας, χρησιμοποιήστε και τις οπές στην πίσω πλευρά της μονάδας για τη σύνδεση συρμάτων στερέωσης κτλ., εφόσον χρειάζεται για την εγκατάσταση της μονάδας. Χρησιμοποιήστε λαμαρινόβιδες (Ø5 × 15 mm ή λιγότερο) και κάντε την εγκατάσταση επιτόπου.

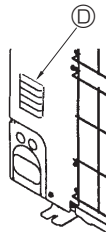
⚠ Προειδοποίηση:

- Η μονάδα πρέπει να εγκατασταθεί και να στερεωθεί καλά σε μια επιφάνεια που μπορεί να αντέξει το βάρος της. Αν η μονάδα τοποθετηθεί σε ασταθή επιφάνεια, μπορεί να πέσει και να προκαλέσει τραυματισμούς.
- Η εγκατάσταση της μονάδας πρέπει να γίνει σύμφωνα με τις οδηγίες προκειμένου να ελαχιστοποιηθεί ο κίνδυνος ζημιάς από σεισμούς, τυφώνες ή δυνατούς ανέμους. Όταν η μονάδα δεν είναι σωστά εγκατεστημένη, μπορεί να πέσει και να προκαλέσει ζημιά ή τραυματισμό.

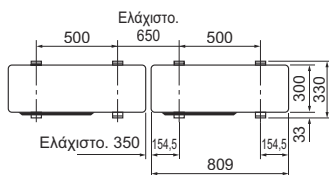
■ SW50



■ SW75-120



■ SW50



■ SW75-120

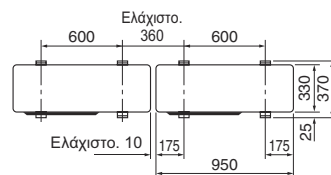


Fig. 3-1

4. Εγκατάσταση της σωλήνωσης ψυκτικού υγρού

4.1. Προφυλάξεις για τις συσκευές που χρησιμοποιούν ψυκτικό R410A

- Ανατρέξτε στη 1.4. για προφυλάξεις που δεν περιλαμβάνονται παρακάτω σχετικά με τη χρήση εξωτερικών μονάδων με ψυκτικό R410A.
- Χρησιμοποιήστε λάδι εστέρα, λάδι αιθέρα ή αλκυλιοβενζόλη (μικρή ποσότητα) σαν ψυκτικό λάδι για την εφαρμογή στα διαπλατυσμένα τμήματα.
- Χρησιμοποιήστε φωσφορούχο κρατέρωμα C1220 για τη σύνδεση των σωληνώσεων ψυκτικού, όταν έχετε χαλκοσωλήνες και σωλήνες κράματος χαλκού χωρίς ενώσεις. Χρησιμοποιείτε σωλήνες ψυκτικού με πάχος σύμφωνα με τις προδιαγραφές στον παρακάτω πίνακα. Βεβαιωθείτε ότι οι εσωτερικές επιφάνειες των σωλήνων είναι καθαρές και δεν περιέχουν επικίνδυνες προσμίξεις όπως θειικές ενώσεις, οξειδωτικά, ρινίσματα ή σκόνη. Να εφαρμόζεται πάντα μη οξειδωτική χαλκοκόλληση κατά τη χαλκοκόλληση των σωλήνων, διαφορετικά θα καταστραφεί ο συμπιεστής.

⚠ Προειδοποίηση:

Κατά την εγκατάσταση ή τη μετακίνηση της εξωτερικής μονάδας, χρησιμοποιείτε μόνο το συνιστώμενο ψυκτικό (R410A) για την πλήρωση των γραμμών ψυκτικού. Μην το αναμιγνύετε με άλλο ψυκτικό μέσο και μην αφήνετε τον αέρα να παραμένει μέσα στις γραμμές.

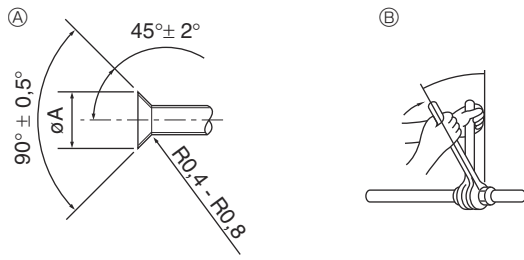
Εάν αναμιχθεί αέρας με το ψυκτικό, ενδέχεται να προκαλέσει ασυνήθιστα υψηλή πίεση στη γραμμή ψυκτικού, με ενδεχόμενο έκρηξης και άλλους κινδύνους.

Η χρήση ψυκτικού διαφορετικού από αυτό που καθορίζεται για το σύστημα θα προκαλέσει μηχανική βλάβη ή δυσλειτουργία του συστήματος ή ζημιά στο σύστημα. Στη χειρότερη περίπτωση, μια τέτοια ενέργεια ενδέχεται να υπονομεύσει την ασφάλεια του προϊόντος.

Μέγεθος σωλήνα (mm)	φ6,35	φ9,52	φ12,7	φ15,88	φ19,05	φ22,2	φ25,4	φ28,58
Πάχος (mm)	0,8	0,8	0,8	1,0	1,0	1,0	1,0	1,0

- Μην χρησιμοποιείτε σωλήνες με πάχος μικρότερο από τις προδιαγραφές του παραπάνω πίνακα.
- Χρησιμοποιήστε σωλήνες 1/2 H ή H εάν η διάμετρος είναι 22,2 mm ή μεγαλύτερη.

4. Εγκατάσταση της σωλήνωσης ψυκτικού υγρού



- Α Διαστάσεις εκχειλωσης
Β Ροπή σύσφιξης για το περικόχλιο εκχειλωσης

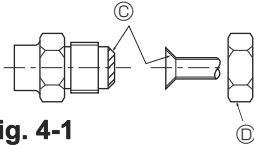


Fig. 4-1

Α (Fig. 4-1)

Διάμετρος χαλκοσωλήνα (mm)	Διαστάσεις εκχειλωσης Διάσταση θA (mm)
$\phi 6,35$	8,7 - 9,1
$\phi 9,52$	12,8 - 13,2
$\phi 12,7$	16,2 - 16,6
$\phi 15,88$	19,3 - 19,7
$\phi 19,05$	23,6 - 24,0

Β (Fig. 4-1)

Διάμετρος χαλκοσωλήνα (mm)	Διάμετρος περικοχλίου εκχειλωσης (mm)	Ροπή σύσφιξης (N·m)
$\phi 6,35$	17	14 - 18
$\phi 6,35$	22	34 - 42
$\phi 9,52$	22	34 - 42
$\phi 12,7$	26	49 - 61
$\phi 12,7$	29	68 - 82
$\phi 15,88$	29	68 - 82
$\phi 15,88$	36	100 - 120
$\phi 19,05$	36	100 - 120

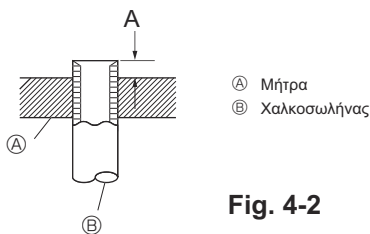


Fig. 4-2

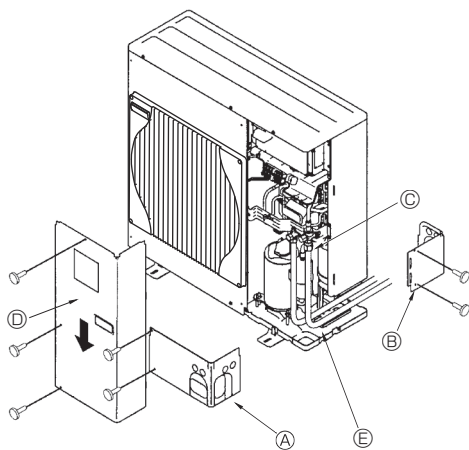


Fig. 4-3

- Α Εμπρόσθιο κάλυμμα σωληνώσεων
Β Κάλυμμα σωληνώσεων
Γ Βαλβίδα διακοπής
Δ Καπάκι εξυπηρέτησης
Ε Ακτίνα ζώνης : 100 mm - 150 mm

4.2. Σωλήνες σύνδεσης (Fig. 4-1)

- Όταν είναι διαθέσιμοι στο εμπόριο χρησιμοποιούνται χαλκοσωλήνες, σπειροειδείς σωλήνες υγρού και αερίου με υλικό μόνωσης που διατίθεται στο εμπόριο (θερμική αντοχή έως 100°C ή μεγαλύτερη, πάχος 12 mm ή μεγαλύτερο). Η απευθείας επαφή με τη γυμνή σωλήνωση ενδέχεται να προκαλέσει εγκαύματα ή κρωσπαγήματα.
- Τα εσωτερικά εξαρτήματα του σωλήνα αποστράγγισης πρέπει να περιτυλιγονται με μονωτικό αφρό πολυαιθυλαίνιου (ειδικό βάρος 0,03, πάχος 9 mm ή μεγαλύτερο).
- Πριν βιδώσετε το περικόχλιο εκχειλωσης απλώστε στο σωλήνα και στην κοινή επιφάνεια που επικαθεται λεπτό στρώμα από ψυκτικό λάδι. Α
- Χρησιμοποιήστε δύο κλειδιά για να σφίξετε τις συνδέσεις των σωλήνων. Β
- Όταν σφίξετε τους σωλήνες χρησιμοποιήστε ένα όργανο εντοπισμού διαρροών ή διάλυμα σαπουνιού για να εντοπίσετε τυχόν διαρροές αερίου.
- Αλείψτε με ψυκτικό λάδι ολόκληρη την επιφάνεια στα διαπλατισμένα τμήματα. Γ
- Χρησιμοποιήστε τα παξιμάδια ρακόρ για το παρακάτω μέγεθος σωλήνα. Δ

	SW50	SW75	SW100, 120
Πλευρά αερίου Μέγεθος σωλήνα (mm)	$\phi 12,7$	$\phi 15,88$	$\phi 15,88$
Πλευρά υγρού Μέγεθος σωλήνα (mm)	$\phi 6,35$	$\phi 9,52$	$\phi 9,52$

- Όταν κάμπτετε τους σωλήνες, προσέξτε να μην τους σπάσετε. Ακτίνες κάμψης της τάξης των 100 mm ή 150 mm είναι αρκετές.
- Βεβαιωθείτε ότι οι σωλήνες δεν έρχονται σε επαφή με το συμπιεστή. Μπορεί να προκληθεί μη φυσιολογικός θόρυβος ή κρυσταλλοί.
- Η σύνδεση των σωλήνων πρέπει να ξεκινά από την εσωτερική μονάδα. Για το σφίξιμο των περικοχλίων εκχειλωσης πρέπει να χρησιμοποιείτε δυναμόκλειδο.
- Εκχειλώστε τους σωλήνες υγρού και αερίου και αλείψτε τους με ένα λεπτό στρώμα λαδιού ψυκτικού (επιτόπου εργασία).
- Όταν χρησιμοποιούνται τα συνήθη υλικά για το σφράγισμα των σωλήνων, ανατρέξτε στον Πίνακα 1 για την εκχειλωση των σωλήνων με ψυκτικό R410A. Για την επαλήθευση των μετρήσεων Α πρέπει να χρησιμοποιήσετε το μετρητή διαστάσεων.

Πίνακας 1 (Fig. 4-2)

Διάμετρος χαλκοσωλήνα (mm)	Α (mm)	
	Εργαλείο διαπλάτυσης για R410A	Τύπου σφικτήρα
$\phi 6,35$ (1/4")	0 - 0,5	0 - 0,5
$\phi 9,52$ (3/8")	0 - 0,5	0 - 0,5
$\phi 12,7$ (1/2")	0 - 0,5	0 - 0,5
$\phi 15,88$ (5/8")	0 - 0,5	0 - 0,5
$\phi 19,05$ (3/4")	0 - 0,5	0 - 0,5

⚠ Προειδοποίηση:

Κατά την εγκατάσταση της μονάδας, συνδέστε με ασφάλεια τους σωλήνες ψυκτικού πριν θέσετε σε λειτουργία το συμπιεστή.

4.3. Σωληνώσεις ψυκτικού υγρού (Fig. 4-3)

■ Για τα μοντέλα SW50

Αφαιρέστε το καπάκι εξυπηρέτησης ④ (βίδα).

■ Για τα μοντέλα SW75-120

Αφαιρέστε το καπάκι ④ (3 βίδες), το εμπρόσθιο ① κάλυμμα των σωληνώσεων (2 βίδες) και το πίσω κάλυμμα των σωληνώσεων ② (2 βίδες: SW75) (4 βίδες: SW100, 120).

- Κάντε τις συνδέσεις των σωληνώσεων για την εσωτερική/εξωτερική μονάδα όταν η ανασταλτική βαλβίδα της εξωτερικής μονάδας είναι εντελώς κλειστή.
- Κάντε εξερισμό στην εσωτερική μονάδα και στους σωλήνες σύνδεσης.
- Αφού συνδέσετε τους σωλήνες ψυκτικού, ελέγξτε τους συνδεδεμένους σωλήνες και την εσωτερική μονάδα για τυχόν διαρροή αερίου. (Ανατρέξτε στην ενότητα 4.4. Μέθοδος ελέγχου αεροστεγανότητας του σωληνώσεων ψυκτικού.)

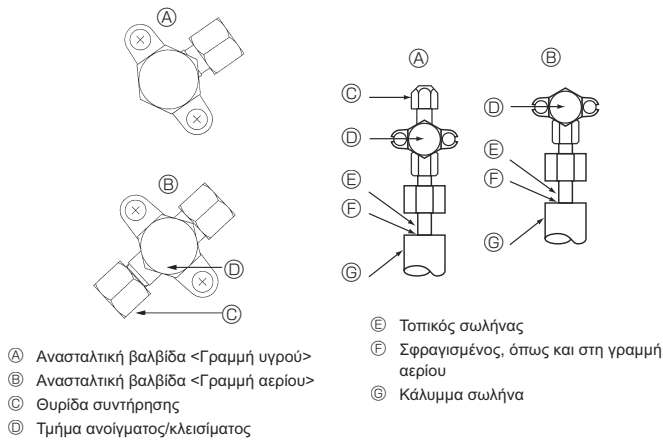
④ Μια αντία κενού υψηλής απόδοσης χρησιμοποιείται στη θυρίδα συντήρησης της ανασταλτικής βαλβίδας για τη διατήρηση κενού για αρκετό χρονικό διάστημα (μία ώρα τουλάχιστον αφού η πίεση φτάσει τα -101 kPa (5 Torr)), προκειμένου να πραγματοποιηθεί ξήρανση υπό κενό του εσωτερικού των σωλήνων. Ελέγχετε πάντα το βαθμό κενού στην κάσα του μανομέτρου. Εάν στο σωλήνα εξακολουθεί να υπάρχει υγρασία, ο βαθμός κενού μερικές φορές δεν είναι δυνατό να επιτευχθεί με εφαρμογή κενού για μικρό χρονικό διάστημα.

Αφού ολοκληρωθεί η ξήρανση υπό κενό, ανοίξτε τελείως τις ανασταλτικές βαλβίδες (και των υγρών και των αερίων) για την εξωτερική μονάδα. Με αυτόν τον τρόπο γίνεται πλήρης σύνδεση των εσωτερικών και εξωτερικών κυκλωμάτων της ψυκτικής ουσίας.

- Εάν η ξήρανση υπό κενό δεν είναι επαρκής, στα κυκλώματα της ψυκτικής ουσίας παραμένουν αέρας και υδατμοί που μπορούν να προκαλέσουν υπερβολική αύξηση της υψηλής πίεσης, υπερβολική πτώση της χαμηλής πίεσης, φθορά του λαδιού της ψυκτικής μηχανής λόγω υγρασίας κ.λπ.
- Αν οι ανασταλτικές βαλβίδες παραμένουν κλειστές και τεθεί σε λειτουργία το κλιματιστικό, ο συμπιεστής και οι βαλβίδες ελέγχου θα υποστούν ζημιά.
- Χρησιμοποιήστε έναν ανιχνευτή διαρροής ή νερό με σαπουνάδα για να ελέγξετε εάν υπάρχει διαρροή αερίου στα σημεία σύνδεσης των σωλήνων στην εξωτερική μονάδα.
- Μην χρησιμοποιήσετε το ψυκτικό από την εξωτερική μονάδα για την εξαέρωση των γραμμών ψυκτικού.
- Αφού ολοκληρωθεί η διαδικασία, σφίξτε τα καπάκια των βαλβίδων με τη σωστή ροπή σύσφιξης: 20 έως 25 Nm (200 έως 250 kgf·cm). Αν ξεχάσετε να ξαναβάλετε και να σφίξετε τα καπάκια των βαλβίδων, θα έχει σαν αποτέλεσμα να σημειωθεί διαρροή ψυκτικού. Επιπλέον, μην προκαλέσετε φθορές στην εσωτερική επιφάνεια των καπακιών των βαλβίδων γιατί δρουν ως παρεμβύσματα για την αποτροπή διαρροής.

- Χρησιμοποιήστε στεγανωτικό υλικό για να σφραγίσετε τα άκρα της θερμομόνωσης γύρω από τα σημεία σύνδεσης των σωλήνων ώστε να μην είναι δυνατή η εισχώρηση νερού στη θερμομόνωση.

4. Εγκατάσταση της σωλήνωσης ψυκτικού υγρού



- Α Ανασταλτική βαλβίδα <Γραμμή υγρού>
- Β Ανασταλτική βαλβίδα <Γραμμή αερίου>
- Γ Θυρίδα συντήρησης
- Δ Τμήμα ανοίγματος/κλεισίματος

Fig. 4-4

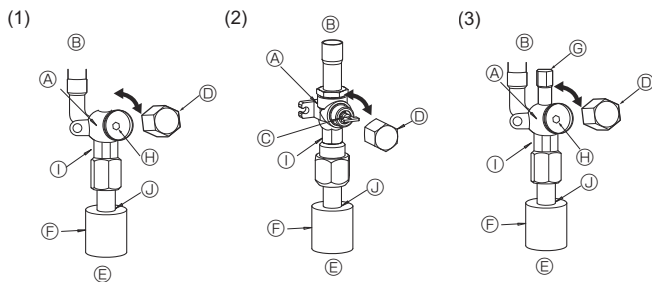


Fig. 4-5

Fig. 4-6

Fig. 4-7

- Α Βαλβίδα
- Β Πλευρά μονάδας
- Γ Λαβή
- Δ Καπάκι
- Ε Πλευρά τοπικού σωλήνα
- Ζ Κάλυμμα σωλήνα
- Θ Θυρίδα συντήρησης
- Η Οπή για το κλειδί

- Ι Τμήμα γαλλικού κλειδιού
(Μην χρησιμοποιείτε γαλλικό κλειδί σε κανένα άλλο τμήμα. Η χρήση του μπορεί να προκαλέσει διαρροή της ψυκτικής ουσίας.)
- Ψ Τμήμα στεγανωτικού παρεμβύσματος
(Στεγανοποιήστε με το άκρο του θερμομονωτικού υλικού το τμήμα σύνδεσης του σωλήνα χρησιμοποιώντας οποιοδήποτε μονωτικό υλικό διαθέτετε, έτσι ώστε το νερό να μην διαπερνά το θερμομονωτικό υλικό.)

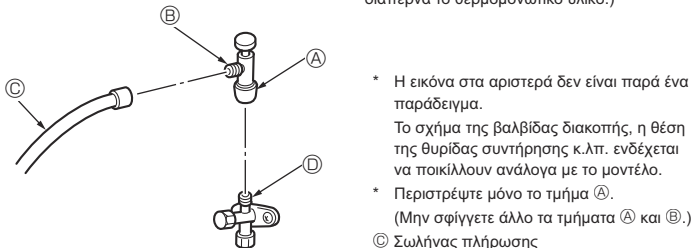


Fig. 4-8

- * Η εικόνα στα αριστερά δεν είναι παρά ένα παράδειγμα. Το σχήμα της βαλβίδας διακοπής, η θέση της θυρίδας συντήρησης κ.λπ. ενδέχεται να ποικίλλουν ανάλογα με το μοντέλο.
- * Περιστρέψτε μόνο το τμήμα (Α). (Μην σφίγγετε άλλο τα τμήματα (Α) και (Β).)
- Θ Σωλήνας πλήρωσης
- Δ Θυρίδα συντήρησης

4.4. Μέθοδος ελέγχου αεροστεγανότητας του σωληνώσεων ψυκτικού (Fig. 4-4)

- (1) Συνδέστε τα εργαλεία ελέγχου.
 - Βεβαιωθείτε ότι οι ανασταλτικές βαλβίδες Α Β είναι κλειστές και μην τις ανοίξετε.
 - Διοχετεύστε πίεση στις γραμμές ψυκτικού από το σημείο εξυπηρέτησης Γ της ανασταλτικής βαλβίδας Α της γραμμής υγρού.
- (2) Μην διοχετεύσετε πίεση μέχρι την ενδεδειγμένη τιμή μεμιάς αλλά σταδιακά.
 - ① Αυξήστε την πίεση μέχρι 0,5 MPa (5 kgf/cm²G), περιμένετε πέντε λεπτά και βεβαιωθείτε ότι η πίεση δεν μειώνεται.
 - ② Αυξήστε την πίεση σε 1,5 MPa (15 kgf/cm²G), περιμένετε πέντε λεπτά και βεβαιωθείτε ότι η πίεση δεν μειώνεται.
 - ③ Αυξήστε την πίεση σε 4,15 MPa (41,5 kgf/cm²G) και μετρήστε τη θερμοκρασία περιβάλλοντος και την πίεση του ψυκτικού.
- (3) Αν η συγκεκριμένη πίεση διατηρείται σταθερή για μία περίπου ημέρα και δεν πέφτει, οι σωλήνες έχουν περάσει με επιτυχία τον έλεγχο αεροστεγανότητας και δεν υπάρχουν διαρροές.
 - Αν η θερμοκρασία περιβάλλοντος μεταβληθεί κατά 1°C, η πίεση θα μεταβληθεί επίσης κατά 0,01 MPa (0,1 kgf/cm²G). Κάντε τις απαραίτητες διορθώσεις.
- (4) Αν η πίεση μειωθεί στα βήματα (2) ή (3), τότε υπάρχει διαρροή αερίου. Αναζητήστε την αιτία της διαρροής.

4.5. Μέθοδος ανοίγματος ανασταλτικής βαλβίδας

Η μέθοδος ανοίγματος της ανασταλτικής βαλβίδας εξαρτάται από το μοντέλο της εξωτερικής μονάδας. Χρησιμοποιήστε την κατάλληλη μέθοδο για να ανοίξετε την ανασταλτική βαλβίδα.

- (1) Πλευρά αερίου SW75 (Fig. 4-5)
 - ① Βγάλτε το καπάκι και περιστρέψτε το στέλεχος της βαλβίδας προς τα αριστερά έως το τέρμα χρησιμοποιώντας ένα εξαγωνικό κλειδί 5 χλστ. Σταματήστε να περιστρέφετε έως ότου φτάσει στον αναστολέα. (ø 15,88: Περίπου 13 στροφές)
 - ② Βεβαιωθείτε ότι η βαλβίδα διακοπής είναι εντελώς ανοιχτή, και περιστρέφοντας επαναφέρατε το καπάκι στην αρχική του θέση.
- (2) Πλευρά αερίου SW100, 120 (Fig. 4-6)
 - ① Βγάλτε το καπάκι, τραβήξτε τη λαβή προς την πλευρά σας και περιστρέψτε κατά το 1/4 της στροφής προς τα αριστερά για να ανοίξει.
 - ② Βεβαιωθείτε ότι η βαλβίδα διακοπής είναι εντελώς ανοιχτή, πιέστε μέσα τη λαβή και περιστρέφοντας επαναφέρατε το καπάκι στην αρχική του θέση.
- (3) Πλευρά υγρού SW75-120 και Πλευρά αερίου/υγρού SW50-75 (Fig. 4-7)
 - ① Βγάλτε το καπάκι και περιστρέψτε το στέλεχος της βαλβίδας προς τα αριστερά έως το τέρμα χρησιμοποιώντας ένα εξαγωνικό κλειδί 4 mm. Σταματήστε να περιστρέφετε έως ότου φτάσει στον αναστολέα. (ø9,52: Περίπου 10 στροφές)
 - ② Βεβαιωθείτε ότι η βαλβίδα διακοπής είναι εντελώς κλειστή, πιέστε μέσα τη λαβή και περιστρέφοντας επαναφέρατε το καπάκι στην αρχική του θέση.

Οι σωλήνες ψυκτικού τυλίγονται με ταινία για προστασία στα μοντέλα SW75-120

- Οι σωλήνες μπορούν να τυλιχτούν με προστατευτική ταινία μέχρι να φθάσουν διάμετρο ø90 πριν ή μετά τη σύνδεσή τους. Ανοίξτε τη χαραγμένη τρύπα στο κάλυμμα των σωλήνων ακολουθώντας την αυλάκωση και τυλίξτε τους σωλήνες.

Ανοίγμα εισόδου σωλήνα για SW75-120

- Χρησιμοποιήστε στόκο ή μονωτικό υλικό για να σφραγίσετε το σημείο σύνδεσης των σωλήνων ώστε να μην υπάρχουν κενά. (Αν τα κενά δεν σφραγιστούν, μπορεί να ακούγεται ασυνήθιστος θόρυβος ή να εισχωρήσει στη μονάδα σκόνη ή νερό και να προκαλέσει βλάβη.)

Μέτρα ασφαλείας που πρέπει να τηρούνται κατά τη χρήση της βαλβίδας πλήρωσης (Fig. 4-8)

Μην σφίγγετε πάρα πολύ τη θυρίδα συντήρησης κατά την εγκατάσταση, καθώς μπορεί να παραμορφωθεί και να χαλαρώσει ο πυρήνας της βαλβίδας, με αποτέλεσμα τη διαρροή αερίου.

Αφού τοποθετήσετε το τμήμα Β προς τη σωστή κατεύθυνση, περιστρέψτε μόνο το τμήμα Α και σφίξτε το.

Αφού σφίξετε το τμήμα Α, μην σφίγγετε άλλο τα τμήματα Α και Β.

4.6. Προσθήκη ψυκτικού υγρού

- Δεν απαιτείται συμπληρωματική πλήρωση της μονάδας με ψυκτικό εάν το μήκος του σωλήνα δεν υπερβαίνει τα 10 m.
- Αν το μήκος του σωλήνα υπερβαίνει τα 10 m, πληρώστε τη μονάδα με πρόσθετη ποσότητα ψυκτικού R410A σύμφωνα με το επιτρεπόμενο μήκος σωλήνα στον παρακάτω πίνακα.
 - * Όταν το κλιματιστικό δεν λειτουργεί, πληρώστε με το πρόσθετο ψυκτικό από την ανασταλτική βαλβίδα της γραμμής υγρού αφού εξαιρεθούν πρώτα όλες οι προεκτάσεις των σωληνώσεων και η εσωτερική μονάδα.
 - Όταν το κλιματιστικό λειτουργεί, πληρώστε με ψυκτικό από τη βαλβίδα ελέγχου της γραμμής αερίου χρησιμοποιώντας μια συσκευή πλήρωσης ασφαλείας. Μην προσθέτετε υγρό ψυκτικό απευθείας στη βαλβίδα ελέγχου.
 - * Μετά την πλήρωση της μονάδας με ψυκτικό, σημειώστε την ποσότητα του ψυκτικού που προσθέσατε στην επικέτα συντήρησης (που βρίσκεται κολλημένη στη μονάδα).

Ανατρέξτε στην ενότητα "1.4. Χρήση κλιματιστικών με ψυκτικό μέσο R410A" για περισσότερες πληροφορίες.

- Να είστε προσεκτικοί κατά την εγκατάσταση πολλαπλών μονάδων. Η σύνδεση σε λάθος εσωτερική μονάδα μπορεί να προκαλέσει ασυνήθιστα υψηλή πίεση με αποτέλεσμα σοβαρές επιπτώσεις στην απόδοση του κλιματιστικού.

Μοντέλο	Επιτρεπόμενο μήκος σωλήνα	Επιτρεπόμενη υψομετρική διαφορά	Πρόσθετη ποσότητα ψυκτικού					
			11 - 20 m	21 - 30 m	31 - 40 m	41 - 50 m	51 - 60 m	61 - 75 m
SW50	2 m - 40 m	-30 m	0,2 kg	0,4 kg	0,6 kg	—	—	—
SW75	2 m - 40 m	-30 m	0,15 kg	0,3 kg	0,6 kg	—	—	—
SW100, 120	2 m - 75 m	-30 m	0,2 kg	0,4 kg	1,0 kg	1,6 kg	2,2 kg	2,8 kg

5. Εργασίες Σωληνώσεων Αποχέτευσης

Σύνδεση σωλήνα αποχέτευσης εξωτερικής μονάδας

Όταν απαιτείται αποχετευτική σωληνώση, χρησιμοποιήστε την οπή ή το δοχείο αποστράγγισης (προαιρετικά μέρη).

	SW50	SW75	SW100, 120
Οπή αποστράγγισης	PAC-SJ08DS-E	PAC-SG61DS-E	
Δοχείο αποστράγγισης	PAC-SG63DP-E	PAC-SG64DP-E	

6. Εργασίες σωληνώσεων νερού

Ελάχιστη ποσότητα νερού

Η ακόλουθη ποσότητα νερού είναι απαραίτητη στο κύκλωμα νερού.

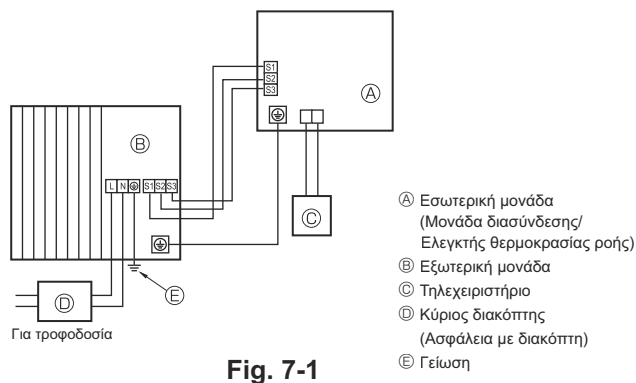
Μοντέλο	Ελάχιστη ποσότητα νερού (L)
SW50	22
SW75	32
SW100	43
SW120	54

Μην ξεχάσετε να λάβετε μέτρα προστασίας από τον παγετό, όπως είναι η χρήση αντιψυκτικού διαλύματος, κατά τη χρήση της μονάδας στη λειτουργία ψύξης σε περιβάλλον με χαμηλή θερμοκρασία (κάτω από τους 0 °C).

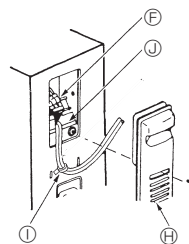
7. Ηλεκτρικές εργασίες

7.1. Εξωτερική μονάδα (Fig. 7-1, Fig. 7-2)

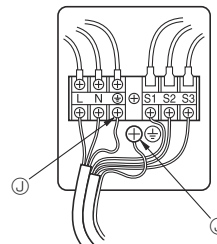
- ① Αφαιρέστε το πλαίσιο συντήρησης.
- ② Συνδέστε τα καλώδια που αναφέρονται στην Fig. 7-1 και στην Fig. 7-2.



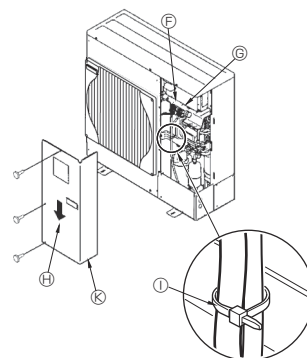
SW50



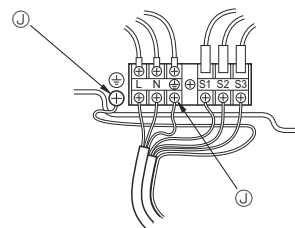
SW50



SW75-120



SW75-120V



SW100, 120V

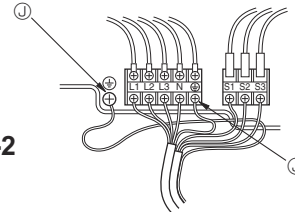


Fig. 7-2

- Ⓜ Πίνακας ακροδεκτών
- Ⓝ Πίνακας ακροδεκτών σύνδεσης εσωτερικής/εξωτερικής μονάδας (S1, S2, S3)
- Ⓞ Κάλυμμα εξυπηρέτησης
- Ⓢ Σφιγκτήρας

* Συνδέστε τα καλώδια ώστε να μην έρχονται σε επαφή με το κέντρο του καλύμματος συντήρησης ή με το βαλβίδα αερίου.

- Ⓤ Ακροδέκτης γείωσης
- Ⓚ Συνδέστε τα καλώδια ώστε να μην έρχονται σε επαφή με το κέντρο του κατακίου εξυπηρέτησης.

Σημείωση:

Αν αφαιρεθεί το προστατευτικό φύλλο του πίνακα ηλεκτρικών συνδέσεων κατά την επισκευή ή τη συντήρηση, μην ξεχάσετε να το επανατοποθετήσετε.

⚠ Προσοχή:

Φροντίστε να εγκαταστήσετε την Γραμμή-N. Χωρίς την Γραμμή-N μπορεί να προκληθεί βλάβη στη μονάδα.

7. Ηλεκτρικές εργασίες

7.2. Υπαίθρια καλωδίωση

Μοντέλο εξωτερικής μονάδας	SW50V	SW75V	SW100V	SW120V	SW100, 120Y	
Εξωτερική μονάδα Ηλεκτρική παροχή	~N (Μονή), 50 Hz, 230 V	~N (Μονή), 50 Hz, 230 V	~N (Μονή), 50 Hz, 230 V	~N (Μονή), 50 Hz, 230 V	3N~ (3 φάσεων - 4 καλώδια), 50 Hz, 400 V	
Ικανότητα εισόδου εξωτερικής μονάδας Κεντρικός διακόπτης (Ασφάλεια) *1	16 A	25 A	32 A	40 A	16 A	
Καλώδιωση Καλώδιου Νο. x μέγεθος (mm ²)	Εξωτερική μονάδα Ηλεκτρική παροχή	3 x Ελάχιστο. 1,5	3 x Ελάχιστο. 2,5	3 x Ελάχιστο. 4	3 x Ελάχιστο. 6	5 x Ελάχιστο. 1,5
	Εσωτερική μονάδα-Εξωτερική μονάδα *2	3 x 1,5 (πολικότητα)	3 x 1,5 (πολικότητα)	3 x 1,5 (πολικότητα)	3 x 1,5 (πολικότητα)	3 x 1,5 (πολικότητα)
	Γείωση εσωτερικής μονάδας - εξωτερικής μονάδας *2	1 x Ελάχιστο. 1,5	1 x Ελάχιστο. 1,5	1 x Ελάχιστο. 1,5	1 x Ελάχιστο. 1,5	1 x Ελάχιστο. 1,5
	Σύνδεση τηλεχειριστήριου/εσωτερικής μονάδας *3	2 x 0,3 (χωρίς πολικότητα)	2 x 0,3 (χωρίς πολικότητα)	2 x 0,3 (χωρίς πολικότητα)	2 x 0,3 (χωρίς πολικότητα)	2 x 0,3 (χωρίς πολικότητα)
Ονομαστική ισχύς κυκλώματος	Εξωτερική μονάδα L-N (Μονή) *4	230 VAC	230 VAC	230 VAC	230 VAC	230 VAC
	Εξωτερική μονάδα L1-N, L2-N, L3-N (3 φάσεων) *4	230 VAC	230 VAC	230 VAC	230 VAC	230 VAC
	Εσωτερική μονάδα-Εξωτερική μονάδα S1-S2 *4	230 VAC	230 VAC	230 VAC	230 VAC	230 VAC
	Εσωτερική μονάδα-Εξωτερική μονάδα S2-S3 *4	24 VDC	24 VDC	24 VDC	24 VDC	24 VDC
Σύνδεση τηλεχειριστήριου/εσωτερικής μονάδας *4	12 VDC	12 VDC	12 VDC	12 VDC	12 VDC	

*1. Χρησιμοποιήστε διακόπτη διαρροής προς γη (NV) με διάκενο τουλάχιστον 3,0 mm σε κάθε πόλο.

Βεβαιωθείτε ότι ο διακόπτης διαρροής είναι συμβατός με υψηλές συχνότητες.

Πάντα να χρησιμοποιείτε διακόπτη διαρροής συμβατό με υψηλές συχνότητες καθώς αυτή η μονάδα είναι εξοπλισμένη με αναστροφή.

Η χρήση ανεπαρκούς διακόπτη ενδέχεται να οδηγήσει σε λανθασμένη λειτουργία του αναστροφέα.

*2. Μέγ. 45 m

Εάν χρησιμοποιείτε 2,5 mm², Μέγ. 50 m

Εάν χρησιμοποιείτε 2,5 mm² και S3 ξεχωριστά, Μέγ. 80 m

*3. Το τηλεχειριστήριο παραδίδεται με καλώδιο μήκους 10 m.

*4. Οι τιμές ΔΕΝ λαμβάνονται πάντοτε ως προς τη γείωση.

Ο ακροδέκτης S3 έχει διαφορά τάσης 24 VDC ως προς τον ακροδέκτη S2. Μεταξύ των ακροδεκτών S3 και S1, δεν υπάρχει ηλεκτρική μόνωση από το μετασχηματιστή ή άλλη συσκευή.

Σημειώσεις: 1. Οι διαστάσεις των καλωδίων πρέπει να συμμορφώνονται με τον ισχύοντα τοπικό και εθνικό κώδικα.

2. Το καλώδιο τροφοδοσίας και τα καλώδια σύνδεσης εσωτερικής/εξωτερικής μονάδας δεν θα πρέπει να είναι το ίδιο ή περισσότερο ελαφριά από το εύκαμπτο καλώδιο με περίβλημα πολυχλωροπρενίου (σχέδιο 60245 IEC 57).

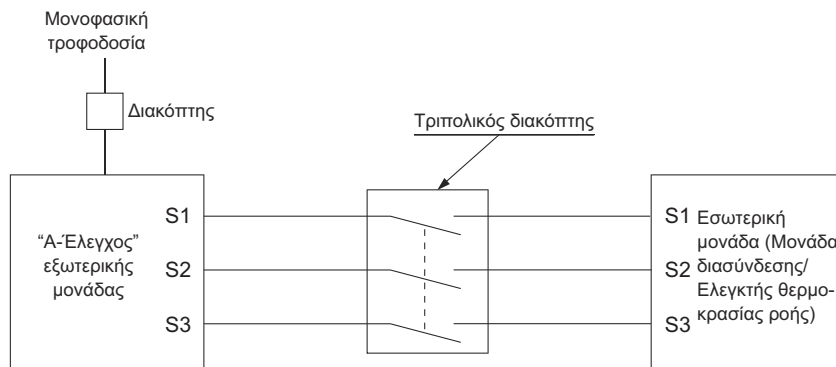
3. Βεβαιωθείτε ότι συνδέσατε τα καλώδια μεταξύ της μονάδας διασύνδεσης/του ελεγκτή θερμοκρασίας ροής και της εξωτερικής μονάδας απ' ευθείας με τις μονάδες (δεν επιτρέπονται ενδιάμεσες συνδέσεις).

Οι ενδιάμεσες συνδέσεις μπορεί να έχουν ως αποτέλεσμα λάθη στην επικοινωνία. Αν το νερό εισχωρήσει σε ένα ενδιάμεσο σημείο σύνδεσης, μπορεί να προκαλέσει ανεπαρκή μόνωση στη γείωση ή ελλιπή ηλεκτρική επαφή.

(Εάν είναι απαραίτητη μια ενδιάμεση σύνδεση, βεβαιωθείτε ότι πήρατε τα μέτρα σας ώστε να αποτραπεί ή εισόδος του νερού στα καλώδια).

4. Εγκαταστήστε μια γείωση μεγαλύτερου μήκους από τα άλλα καλώδια.

5. Μην φτιάχετε ένα σύστημα οποιού η παροχή ισχύος ανοίγει (ON) και κλείνει (OFF) συχνά.



⚠ Προειδοποίηση:

- Σε περίπτωση καλωδίωσης ελέγχου A, υπάρχει υψηλό δυναμικό τάσης στον ακροδέκτη S3 που προκαλείται από τη σχεδίαση του ηλεκτρικού κυκλώματος που δεν παρέχει μόνωση μεταξύ της γραμμής τροφοδοσίας και της γραμμής μετάδοσης του σήματος. Επομένως, κλείνετε πάντα την κεντρική τροφοδοσία πριν την εκτέλεση εργασιών συντήρησης. Και μην αγγίζετε τους ακροδέκτες S1, S2, S3 όταν αποκατασταθεί η τροφοδοσία. Εάν πρέπει να χρησιμοποιηθεί αποζεύκτη 3 πόλων.

Ποτέ μη συγκολλήσετε το καλώδιο τροφοδοσίας ή το καλώδιο σύνδεσης εσωτερικής-εξωτερικής μονάδας, διαφορετικά μπορεί να προκληθεί καπνός, πυρκαγιά ή σφάλμα επικοινωνίας.

8. Ειδικές λειτουργίες

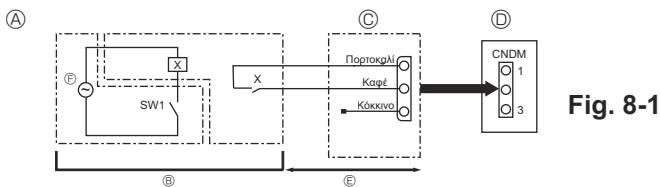


Fig. 8-1

- (A) Παράδειγμα διαγράμματος κυκλώματος (λειτουργία με χαμηλότερα επίπεδα θορύβου)
 (B) Επιπέδου επέμβαση
 (C) Εξωτερικός διακόπτης δυαδικής εισαγωγής (PAC-SC36NA-E)
 X: Ρελέ
 (D) Πίνακας ελέγχου εξωτερικής μονάδας
 (E) Μέγ. 10 m
 (F) Παροχή ρεύματος για το ρελέ

8.1. Λειτουργία με χαμηλότερα επίπεδα θορύβου (επιτόπου τροποποίηση) (Fig. 8-1)

Με την παρακάτω τροποποίηση, μπορεί να μειωθεί ο θόρυβος από τη λειτουργία της μονάδας κατά περίπου 3-4 dB.

Η λειτουργία με χαμηλότερα επίπεδα θορύβου είναι εφικτή όταν συνδεθεί στη φάση CNDM (πωλείται ξεχωριστά) του πίνακα ελέγχου της εξωτερικής μονάδας ένας χρονοδιακόπτης του εμπορίου ή η είσοδος επαφής ενός διακόπτη ON/OFF.

- Η μείωση του θορύβου ποικίλλει ανάλογα με την εξωτερική θερμοκρασία και τις συνθήκες του περιβάλλοντος κτλ.
- ① Κλείστε το κύκλωμα όπως δείχνει η εικόνα όταν χρησιμοποιείτε εξωτερικό διακόπτη δυαδικής εισαγωγής (PAC-SC36NA-E). (Πωλείται ξεχωριστά)
- ② SW7-1 (Πίνακας ελέγχου εξωτερικής μονάδας): OFF
- ③ SW1 ON: Λειτουργία με χαμηλότερα επίπεδα θορύβου
SW1 OFF: Κανονική λειτουργία

8.2. Εκκένωση του ψυκτικού (άντληση)

Ακολουθήστε την παρακάτω διαδικασία για την εκκένωση του ψυκτικού όταν πρόκειται να μετακινήσετε την εσωτερική ή την εξωτερική μονάδα.

- ① Τροφοδοτήστε με ρεύμα το κλιματιστικό (διακόπτης κυκλώματος).
 - * Κατά την τροφοδοσία με ρεύμα, βεβαιωθείτε ότι στο τηλεχειριστήριο δεν εμφανίζεται η ένδειξη "CENTRALLY CONTROLLED". Αν εμφανίζεται η ένδειξη "CENTRALLY CONTROLLED", τότε η εκκένωση (άντληση) του ψυκτικού δεν μπορεί να γίνει με το συνηθισμένο τρόπο.
 - * Χρειάζονται περίπου 3 λεπτά για την έναρξη της επικοινωνίας μεταξύ της εσωτερικής και της εξωτερικής μονάδας μετά την ενεργοποίηση της τροφοδοσίας (διακόπτης δικτύου). Εκκινήστε τη διαδικασία εκκένωσης 3 έως 4 λεπτά μετά την ενεργοποίηση της τροφοδοσίας (διακόπτης δικτύου).
 - * Στην περίπτωση ελέγχου πολλαπλών μονάδων, πριν την ενεργοποίηση, αποσυνδέστε την καλωδίωση μεταξύ της κύριας και της δευτερεύουσας εσωτερικής μονάδας. Για περισσότερες πληροφορίες ανατρέξτε στο χειριρίδιο εγκατάστασης της εσωτερικής μονάδας.
- ② Αφού κλείσετε την ανασταλτική βαλβίδα της γραμμής υγρού, γυρίστε το διακόπτη SWP στον πίνακα ελέγχου της εξωτερικής μονάδας στη θέση ON. Ο συμπιεστής (εξωτερική μονάδα) και οι ανεμιστήρες (εσωτερική και εξωτερική μονάδα) αρχίζουν να λειτουργούν και η εκκένωση του ψυκτικού αρχίζει. Οι λυχνίες LED1 και LED2 στον πίνακα ελέγχου της εξωτερικής μονάδας είναι αναμμένες.
 - * Βάλτε το διακόπτη SWP (τύπου κουμπιού) στη θέση ON όταν η μονάδα σταματήσει να λειτουργεί. Ωστόσο, ακόμη και εάν η μονάδα έχει σταματήσει να λειτουργεί και γυρίσετε το διακόπτη SWP στη θέση ON πριν περάσουν 3 λεπτά από τη διακοπή της λειτουργίας του συμπιεστή, δεν είναι δυνατή η εκτέλεση της λειτουργίας εκκένωσης ψυκτικού. Περιμένετε μέχρι να περάσουν τουλάχιστον 3 λεπτά αφού σταματήσει να λειτουργεί ο συμπιεστής και μετά βάλτε ξανά το διακόπτη SWP στη θέση ON.

- ③ Δεδομένου ότι η λειτουργία της μονάδας σταματά αυτόματα ύστερα από 2 ή 3 λεπτά μετά την ολοκλήρωση της διαδικασίας συλλογής ψυκτικού υγρού (λυχνία LED1 σβηστή, λυχνία LED2 αναμμένη), φροντίστε να κλείσετε σύντομα τη βαλβίδα διακοπής κυκλοφορίας αερίου. Εάν η λυχνία LED1 είναι αναμμένη και η λυχνία LED2 σβηστή και η λειτουργία της εξωτερικής μονάδας έχει σταματήσει, δεν εκτελείται σωστά η διαδικασία συλλογής ψυκτικού υγρού. Ανοίξτε εντελώς τη βαλβίδα διακοπής κυκλοφορίας του υγρού και επαναλάβετε το βήμα ② αφού περάσουν 3 λεπτά.
 - * Εάν η διαδικασία συλλογής του ψυκτικού υγρού ολοκληρωθεί κανονικά (λυχνία LED1 σβηστή, λυχνία LED2 αναμμένη), η μονάδα θα παραμείνει σταματημένη έως ότου απενεργοποιηθεί η τροφοδοσία ρεύματος.
- ④ Διακόψτε την τροφοδοσία ρεύματος (διακόπτης κυκλώματος).
 - * Λάβετε υπόψη σας ότι όταν οι σωληνώσεις επέκτασης είναι πολύ μακριές και έχουν μεγάλες ποσότητες ψυκτικού υγρού, ενδέχεται να μην είναι δυνατή η εκτέλεση της διαδικασίας εκκένωσης. Όταν πραγματοποιείτε την άντληση, βεβαιωθείτε ότι η χαμηλή πίεση είναι μικρότερη ή κοντά στα 0 MPa (μετρητής).

⚠ Προειδοποίηση:

Κατά την εκκένωση του ψυκτικού, σταματήστε το συμπιεστή πριν αποσυνδέσετε τους σωλήνες ψυκτικού. Ο συμπιεστής ενδέχεται να εκραγεί εάν εισέλθει στο εσωτερικό του αέρα κ.τ.λ.

9. Έλεγχος συστήματος

Ρυθμίστε τη διεύθυνση ψυκτικού χρησιμοποιώντας το διακόπτη Dip της εξωτερικής μονάδας.

Ρύθμιση λειτουργίας SW1

Ρύθμιση SW1	Διεύθυνση ψυκτικού	Ρύθμιση SW1	Διεύθυνση ψυκτικού
ON OFF 3 4 5 6 7	00	ON OFF 3 4 5 6 7	03
ON OFF 3 4 5 6 7	01	ON OFF 3 4 5 6 7	04
ON OFF 3 4 5 6 7	02	ON OFF 3 4 5 6 7	05

Σημείωση:

- Μπορούν να συνδεθούν μέχρι 6 μονάδες.
- Επιλέξτε ένα μοντέλο για όλες τις μονάδες.
- Για ρυθμίσεις διακόπτη Dip για εσωτερική μονάδα, ανατρέξτε στο χειριρίδιο εγκατάστασης της εσωτερικής μονάδας.

10. Προδιαγραφές

Μοντέλο εξωτερικού χώρου	PUHZ-SW50VKA	PUHZ-SW75VHA	PUHZ-SW100VHA	PUHZ-SW120VHA	PUHZ-SW100YHA	PUHZ-SW120YHA
Τροφοδοσία ρεύματος	V / Φάση / Hz			230 / Μονή / 50		400 / Τρία / 50
Διαστάσεις (Υ × Π × Β)	mm	809 × 630 × 360	950 × 943 × 330(+30)	950 × 1350 × 330(+30)		
Στάθμη ήχου *1						
SPL	Θέρμανση	dB(A)	46	51	54	54
	Ψύξη	dB(A)	46	48	50	51
PWL	Θέρμανση	dB(A)	63	69	70	72

*1 Μετρήθηκε με την ονομαστική συχνότητα λειτουργίας.

Índice

1. Precauções de Segurança	65	6. Trabalho de tubagem de água.....	71
2. Localização da instalação	66	7. Trabalho de electricidade	71
3. Instalação da unidade exterior	68	8. Funções especiais.....	73
4. Instalação da tubagem do refrigerante.....	68	9. Controlo do sistema.....	73
5. Trabalho de tubagem de drenagem	71	10. Especificações.....	73



Nota: Este símbolo destina-se apenas aos países da UE.

Este símbolo está em conformidade com o artigo 14º da directiva 2012/19/EU de informação aos utilizadores e Anexo IX.

O seu produto MITSUBISHI ELECTRIC foi concebido e produzido com materiais e componentes de alta qualidade que podem ser reciclados e reutilizados.

Este símbolo significa que o equipamento eléctrico e electrónico no final da sua vida útil deve ser deitado fora separadamente do lixo doméstico.

Por favor, entregue este equipamento no seu ponto local de recolha/reciclagem.

Na União Europeia existem sistemas de recolha separados para produtos eléctricos e electrónicos usados.

Por favor, ajude-nos a conservar o ambiente em que vivemos!

⚠ Cuidado:

- Não libertar o R410A para a atmosfera:
- O R410A é um gás fluorado com efeito de estufa, abrangido pelo Protocolo de Quioto, com Potencial de Aquecimento Global (GWP, Global Warming Potential) = 1975.

1. Precauções de Segurança

- ▶ Antes de instalar a unidade, leia atentamente as “Precauções de Segurança”.
- ▶ Reporte-se ou peça autorização à autoridade responsável pelo fornecimento antes de proceder à ligação do sistema.

⚠ Aviso:

Descreve as precauções a observar para evitar riscos de ferimentos ou morte ao utilizador.

⚠ Cuidado:

Descreve os cuidados a ter para não danificar a unidade.

⚠ Aviso:

- A unidade não deve ser instalada pelo utilizador. Peça a um concessionário ou electricista qualificado que a instale. Se a unidade não for instalada correctamente, podem ocorrer fugas de água, choques eléctricos ou incêndios.
- Para proceder à instalação, siga as instruções do Manual de Instruções e utilize ferramentas e componentes da tubagem especificamente concebidos para utilização com o refrigerante R410A. O refrigerante R410A no sistema HFC é comprimido 1,6 vezes mais do que a pressão dos refrigerantes comuns. Se forem utilizados componentes da tubagem que não tenham sido concebidos especificamente para o refrigerante R410A ou se a unidade não tiver sido instalada correctamente, a tubagem pode rebentar e provocar danos ou ferimentos. Para além disso, podem ainda ocorrer fugas de água, choques eléctricos ou incêndios.
- A unidade deve ser instalada de acordo com as instruções, para minimizar o risco de danos sofridos devido a tremores de terra ou ventos fortes. Uma unidade instalada incorrectamente pode cair e provocar danos ou ferimentos.
- A unidade deve ser instalada com segurança numa estrutura que suporte o seu peso. Se a unidade for montada numa estrutura instável, poderá cair e provocar danos ou ferimentos.
- Se o aparelho de unidade exterior for instalado num compartimento pequeno, deverão ser tiradas medidas por forma a evitar que a concentração do refrigerante exceda o limite de segurança, mesmo que ocorram fugas de refrigerante. Consulte um concessionário relativamente às medidas a adoptar no sentido de evitar que a concentração permitida seja excedida. Em caso de fuga de refrigerante e de ultrapassagem do limite de concentração, poderá haver potenciais perigos devido à falta de oxigénio no compartimento.
- Ventile o compartimento em caso de fuga de refrigerante durante o funcionamento. Se o refrigerante entrar em contacto com fogo, serão libertados gases tóxicos.
- Todos os trabalhos de electricidade devem ser levados a cabo por um electricista qualificado e em conformidade com a regulamentação local e as instruções fornecidas neste manual. As unidades devem ser alimentadas através de cabos de alimentação dedicados e deve utilizar-se a voltagem correcta e os disjuntores adequados. Caso sejam usados cabos de alimentação com capacidade insuficiente ou haja trabalhos de electricidade mal efectuados, tal poderá originar choques eléctricos ou incêndios.
- Utilize fósforo de cobre C1220, para tubagens de cobre ou de liga de cobre sem juntas, para ligar a tubagem do refrigerante. Se a tubagem não for ligada

Após ter concluído a instalação, explique as “Precauções de Segurança”, a utilização e a manutenção da unidade ao cliente, de acordo com as informações do Manual de Funcionamento, e efectue um ensaio para verificar se a unidade está a funcionar correctamente. O Manual de Instalação e o Manual de Funcionamento devem ser fornecidos ao utilizador, para que este os guarde. Os referidos manuais deverão ser fornecidos a utilizadores futuros.

⚡ : Indica uma peça a ligar à terra.

⚠ Aviso:

Leia atentamente os rótulos afixados na unidade principal.

correctamente, a unidade não será devidamente ligada à terra, o que poderá provocar choques eléctricos.

- Utilize apenas os cabos eléctricos indicados. As ligações devem ser efectuadas de modo seguro e sem tensão nos terminais. Do mesmo modo, nunca uma os cabos para ligação (salvo especificado em contrário neste documento). A inobservância destas instruções pode resultar num sobreaquecimento ou num incêndio.
- O painel da tampa do bloco terminal da unidade externa deve estar bem fixo. Se o painel da tampa for montado incorrectamente e entrar poeira e humidade na unidade, podem ocorrer choques eléctricos ou incêndio.
- Ao instalar ou mudar o aparelho de unidade exterior de sítio, utilize apenas o refrigerante especificado (R410A) para carregar as linhas de refrigerante. Não o misture com qualquer outro refrigerante e assegure-se de que não fica ar nas linhas.
Se o ar for misturado com o refrigerante, tal pode causar uma pressão alta anómala na linha do refrigerante, o que pode resultar numa explosão e outros perigos. O uso de qualquer refrigerante diferente do especificado para o sistema causará uma falha mecânica ou avaria do sistema ou falta da unidade. No pior dos casos, isto pode comprometer seriamente a segurança do produto.
- Utilize só acessórios autorizados pela Mitsubishi Electric e peça ao seu distribuidor ou a uma empresa autorizada que os instale. Se os acessórios não forem correctamente instalados, podem ocorrer fugas de água, choques eléctricos ou incêndios.
- Não modifique a unidade. Consulte um distribuidor caso seja necessário proceder a reparações. Se as modificações ou reparações não forem devidamente efectuadas, podem ocorrer fugas de água, choques eléctricos ou incêndios.
- O utilizador nunca deve tentar reparar a unidade ou transferi-la para outro local. Se a unidade for instalada incorrectamente, podem ocorrer fugas de água, choques eléctricos ou incêndios. Se o aparelho de unidade exterior tiver que ser reparado ou transferido para outro local, peça a um distribuidor ou electricista qualificado que efectue essa tarefa.
- Depois de a instalação estar concluída, verifique se não existem fugas de refrigerante. Se ocorrer uma fuga de refrigerante no compartimento e entrar em contacto com uma chama proveniente de outro dispositivo, serão libertados gases tóxicos.

1.1. Antes da instalação

⚠ Cuidado:

- Não utilize a unidade num ambiente invulgar. Se o aparelho de unidade exterior for instalado em áreas expostas a vapor, óleo volátil (incluindo óleo de máquinas) ou a gás sulfúrico, áreas expostas a uma grande concentração de sal, tal como à beira-mar, ou áreas onde a unidade possa ser coberta por neve, o rendimento poderá ser significativamente reduzido e as peças internas podem ser danificadas.
- Não instale a unidade onde possam ocorrer fugas, produção, fluxo ou acumulação de gases combustíveis. Em caso de acumulação de gás combustível em torno da unidade, podem ocorrer incêndios ou explosões.

- A unidade exterior produz condensação durante a operação de aquecimento. Assegure-se de que existe drenagem suficiente em torno da unidade exterior caso a referida condensação possa causar danos.
- Ao instalar a unidade num hospital ou gabinete de comunicações, não estranhe se se verificar ruído e interferência eléctrica. Inversores, electrodomésticos, equipamento médico de alta frequência e equipamento de comunicação por rádio podem provocar mau funcionamento ou avaria do aparelho de unidade exterior. O unidade exterior também pode afectar equipamento médico, perturbando a prestação dos serviços médicos, e equipamento de comunicações, comprometendo a qualidade da imagem de ecrãs.

1. Precauções de Segurança

1.2. Antes da instalação (transferência)

⚠ Cuidado:

- Ter muito cuidado durante o transporte ou instalação das unidades. São precisas duas ou mais pessoas para transportar a unidade, uma vez que esta pesa 20 kg ou mais. Não agarre nas bandas da embalagem. Usar luvas de protecção para retirar a unidade da respectiva embalagem e deslocá-la, pois pode ferir as mãos nas alhetas ou nas arestas de outros componentes.
- Assegure-se de que elimina com segurança os materiais de embalagem. Materiais de embalagem tais como pregos e outras peças em metal ou madeira podem provocar cortes ou outros ferimentos.

- A base e os acessórios da unidade exterior devem ser verificados periodicamente, a fim de detectar possíveis folgas, fendas ou outros danos. Se tais danos não forem corrigidos, a unidade poderá cair e provocar acidentes ou ferimentos.
- Não limpe o aparelho de unidade exterior com água. Poderá provocar choques eléctricos.
- Aperte bem todas as porcas afuniladas, utilizando uma chave dinamómetro. Se as porcas forem demasiadamente apertadas, podem quebrar passado algum tempo e originar uma fuga de refrigerante.

1.3. Antes do trabalho de electricidade

⚠ Cuidado:

- Assegure-se de que instala disjuntores. Se não forem instalados disjuntores, podem ocorrer choques eléctricos.
- Para as linhas de alta tensão, utilize cabos normalizados de capacidade suficiente. De outro modo, poderá ocorrer um curto-circuito, sobreaquecimento ou incêndio.
- Ao instalar as linhas de alimentação, não aplique tensão nos cabos. Se existir mau contacto nas ligações, os cabos podem rebentar ou partir, originando sobreaquecimento ou incêndio.

- Assegure-se de que liga a unidade à terra. Não ligue o fio terra a canos de gás ou de água, pára-raios ou linhas telefónicas de ligação à terra. Se a unidade não for devidamente ligada à terra, poderão ocorrer choques eléctricos.
- Utilize disjuntores (interruptor de falha de ligação à terra, interruptor de isolamento (fusível +B) e disjuntor com protecção moldada) com a capacidade especificada. Se a capacidade do disjuntor for superior à capacidade especificada, podem ocorrer avarias ou incêndios.

1.4. Utilização de aparelhos de unidade exterior refrigerantes R410A

⚠ Cuidado:

- Utilize fósforo de cobre C1220, para tubagens de cobre ou de liga de cobre sem juntas, para ligar a tubagem do refrigerante. Certifique-se de que o interior da tubagem está limpo e não contém substâncias tóxicas, tais como compostos de enxofre, oxidantes, sujidade ou poeira. Utilize tubos com a espessura indicada. (Consulte a 4.1.) Considere as indicações que se seguem se reutilizar tubos que transportavam refrigerante R22.
 - Substitua as porcas afuniladas existentes e afunile as secções apertadas novamente.
 - Não utilize tubos finos. (Consulte a 4.1.)
- Mantenha os tubos a utilizar na instalação protegidos e ambas as extremidades tapadas até ao momento de serem soldadas. (Deixe as juntas curvas, etc., na embalagem.) Se entrar poeira, sujidade ou humidade nas linhas do refrigerante, poderá ocorrer deterioração do óleo ou avaria do compressor.
- Utilize óleo de éster, de éter ou de alquilbenzeno (pequenas quantidades) como óleo de refrigeração para revestir as secções afuniladas. Se se misturar óleo mineral com o óleo de refrigeração, pode ocorrer uma deterioração do óleo.

- Utilize unicamente refrigerante R410A. Se utilizar outro refrigerante, o cloro provocará a deterioração do óleo.
- Utilize as ferramentas que se seguem, especificamente concebidas para serem utilizadas com o refrigerante R410A. As ferramentas que se seguem são necessárias para a utilização do refrigerante R410A. Contacte o seu distribuidor caso tenha alguma questão a colocar.

Ferramentas (para R410A)	
Colector do manómetro	Instrumento de afunilamento
Tubo flexível de carga	Manómetro de ajuste de tamanho
Detector de fugas de gás	Adaptador da bomba de vácuo
Chave dinamómetro	Escala electrónica de abastecimento de refrigerante

- Assegure-se de que utiliza as ferramentas correctas. Se entrar poeira, sujidade ou humidade nas linhas do refrigerante, poderá ocorrer deterioração do óleo de refrigeração.
- Não utilize uma botija de abastecimento. Se utilizar uma botija de abastecimento, a composição do refrigerante será alterada e o grau de eficiência será inferior.

2. Localização da instalação

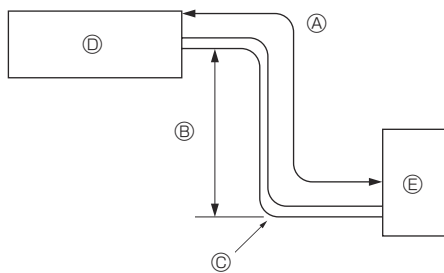


Fig. 2-1

2.1. Tubo de refrigerante (Fig. 2-1)

- Verifique se a diferença entre as alturas das unidades interior e exterior, o comprimento da tubagem de refrigeração e o número de curvas na tubagem se encontram dentro dos limites abaixo indicados.

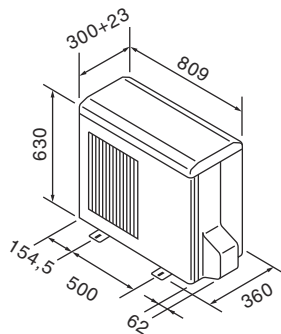
Modelo	Ⓐ Comprimento da tubagem (um só sentido)	Ⓑ Diferença de altura	Ⓒ Número de curvas (um só sentido)
SW50	2 m - 40 m	Máx. 30 m	Máx. 15
SW75	2 m - 40 m	Máx. 30 m	Máx. 15
SW100, 120	2 m - 75 m	Máx. 30 m	Máx. 15

- Os limites de diferença de altura são definidos independentemente de qual das unidades, interior ou exterior, estiver colocada mais alto.

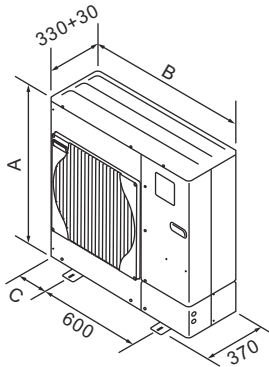
- Ⓓ Unidade interior
- Ⓔ Unidade exterior

2. Localização da instalação

■ SW50



■ SW75, 100, 120



Modelo	A (mm)	B (mm)	C (mm)
SW75	943	950	175
SW100	1350	950	175
SW120	1350	950	175

Fig. 2-2

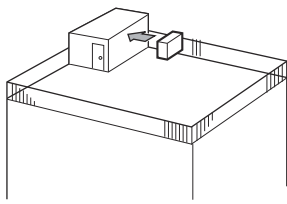


Fig. 2-3

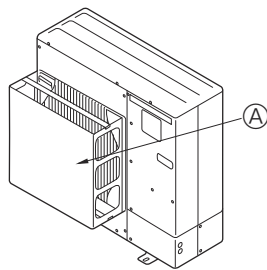


Fig. 2-4

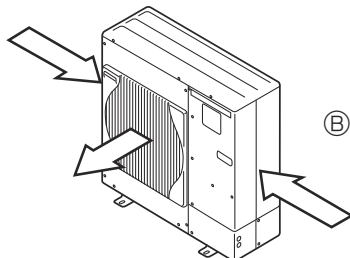


Fig. 2-5

(mm)

2.2. Selecção do local de instalação da unidade exterior

- Evite locais sujeitos a luz solar directa ou outras fontes de calor.
- Selecione um local onde o ruído produzido pela unidade não incomode os vizinhos.
- Selecione um local que permita um acesso fácil dos cabos e tubos à fonte de alimentação e unidade interior.
- Evite locais onde possam ocorrer fugas, produção, fluxo ou acumulação de gases combustíveis.
- Lembre-se que poderá ocorrer gotejamento de água durante o funcionamento.
- Selecione um local capaz de sustentar o peso e a vibração da unidade.
- Evite locais onde a unidade possa ser coberta por neve. Em áreas em que costume nevar muito, devem tomar-se precauções especiais, tais como elevar o local de instalação ou instalar uma tampa no orifício de admissão de ar, no sentido de evitar que a neve impeça a admissão de ar ou caia directamente sobre o orifício de admissão de ar. Este facto poderá reduzir o fluxo de ar, causando uma avaria.
- Evite locais expostos a óleo, vapor ou gás sulfúrico.
- Utilize as pegas de transporte da unidade exterior para transportar a unidade. Se a unidade for transportada pegando por baixo, as mãos ou os dedos poderão ser trilhados.

2.3. Dimensões globais (Unidade exterior) (Fig. 2-2)

2.4. Ventilação e espaço de manutenção

2.4.1. Instalação em locais sujeitos a ventos

Ao instalar a unidade exterior num telhado ou noutro local desprotegido do vento, situe a saída de ar da unidade de modo a que não esteja exposta directamente a ventos fortes. A entrada de vento na saída de ar poderá impedir o normal fluxo de ar e provocar avarias. Apresentam-se abaixo três exemplos de precauções que se podem tomar contra os ventos fortes.

- ① Direcione a saída de ar para a parede mais próxima a uma distância de cerca de 50 cm. (Fig. 2-3)
- ② Instale uma guia de ar opcional se a unidade estiver instalada num local sujeito a fortes ventos, que podem entrar directamente na saída de ar. (Fig. 2-4)
 - Ⓐ Guia de ar
- ③ Posicione a unidade de forma a que o ar seja libertado perpendicularmente à direcção do vento, se possível. (Fig. 2-5)
 - Ⓑ Direcção do vento

2.4.2. Quando instalar uma só unidade exterior (Consulte a última página)

As dimensões mínimas são as seguintes, excepto para máx. (dimensões máximas), as quais também estão indicadas.

As figuras entre parênteses são para os modelos SW100, 120.

Para cada caso consulte as figuras.

- ① Obstáculos apenas na parte de trás (Fig. 2-6)
- ② Obstáculos apenas na parte de trás e por cima (Fig. 2-7)
 - Não utilize as guias de saída opcionais para o fluxo de ar ascendente.
- ③ Obstáculos apenas na parte de trás e nos lados (Fig. 2-8)
 - * 350 para o SW50
- ④ Obstáculos apenas na parte da frente (Fig. 2-9)
 - * Quando se utiliza uma guia de saída de ar opcional, a folga para os modelos SW100, 120 deve ser de 500 mm ou mais.
- ⑤ Obstáculos apenas na parte da frente e de trás (Fig. 2-10)
 - * Quando se utiliza uma guia de saída de ar opcional, a folga para os modelos SW100, 120 deve ser de 500 mm ou mais.
- ⑥ Obstáculos apenas na parte de trás, nos lados e por cima (Fig. 2-11)
 - * 350 para o SW50
 - Não utilize as guias de saída opcionais para o fluxo de ar ascendente.

2.4.3. Quando instalar várias unidades exteriores (Consulte a última página)

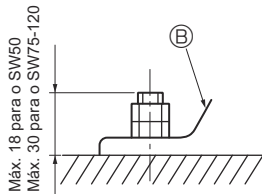
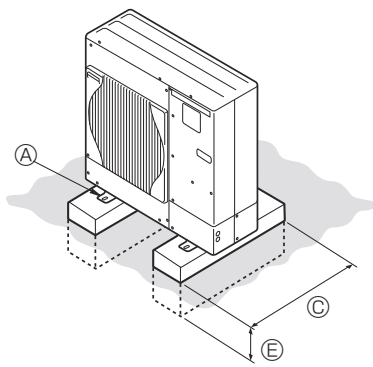
Entre as unidades, deixe um espaço igual ou superior a 350 mm para o SW50 e 10 mm para o SW75-120.

As figuras entre parênteses são para os modelos SW100, 120.

Para cada caso consulte as figuras.

- ① Obstáculos apenas na parte de trás (Fig. 2-12)
- ② Obstáculos apenas na parte de trás e por cima (Fig. 2-13)
 - Não devem ser instaladas mais de três unidades lado a lado. Para além disso, deve deixar distância entre elas, tal como se demonstra.
 - Não utilize as guias de saída opcionais para o fluxo de ar ascendente.
- ③ Obstáculos apenas na parte da frente (Fig. 2-14)
 - * Quando se utiliza uma guia de saída de ar opcional, a folga para os modelos SW100, 120 deve ser de 1000 mm ou mais.
- ④ Obstáculos apenas na parte da frente e de trás (Fig. 2-15)
 - * Quando se utiliza uma guia de saída de ar opcional, a folga para os modelos SW100, 120 deve ser de 1000 mm ou mais.
- ⑤ Disposição de uma unidade em paralelo (Fig. 2-16)
 - * Quando se utiliza uma guia de saída de ar opcional instalada para fluxo de ar ascendente, a folga é de 500 (1000) mm ou mais.
- ⑥ Disposição de várias unidades em paralelo (Fig. 2-17)
 - * Quando se utiliza uma guia de saída de ar opcional instalada para fluxo de ar ascendente, a folga é de 1000 (1500) mm ou mais.
- ⑦ Disposição de unidades sobrepostas (Fig. 2-18)
 - Podem ser sobrepostas até duas unidades.
 - Não devem ser instaladas mais de duas unidades sobrepostas lado a lado. Para além disso, deve deixar distância entre elas, tal como se demonstra.

3. Instalação da unidade exterior



- (A) Parafuso M10 (3/8")
- (B) Base
- (C) O mais longo possível.
- (D) Abertura
- (E) Instalar profundamente no solo

(mm)

- Certifique-se de instalar a unidade numa superfície firme e nivelada para evitar estrépidos durante a operação. (Fig. 3-1)

<Especificações de fundação>

Parafuso da fundação	M10 (3/8")
Espessura do betão	120 mm
Comprimento do parafuso	70 mm
Capacidade de carga	320 kg

- Certifique-se de que o comprimento do parafuso da fundação esteja dentro de 30 mm da superfície inferior da base.
- Fixe a base da unidade firmemente com quatro parafusos de fundação M10 em locais resistentes.

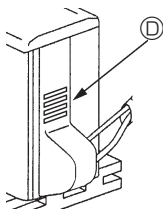
Instalação da unidade exterior

- Não tape a abertura. Se a abertura for tapada, o funcionamento será impedido, o que poderá provocar uma avaria.
- Para além da base da unidade, utilize os furos de instalação na parte posterior da unidade para prender fios, etc., se for necessário para instalar a unidade. Utilize parafusos roscados (ø5 × 15 mm ou menos) e instale no local.

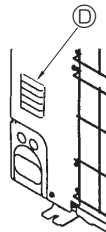
⚠ Aviso:

- A unidade deve ser instalada com segurança numa estrutura que suporte o seu peso. Se a unidade for montada numa estrutura instável, poderá cair e provocar danos ou ferimentos.
- A unidade deve ser instalada de acordo com as instruções, para minimizar o risco de danos sofridos devido a tremores de terra ou ventos fortes. Uma unidade instalada incorrectamente pode cair e provocar danos ou ferimentos.

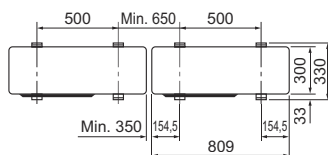
■ SW50



■ SW75-120



■ SW50



■ SW75-120

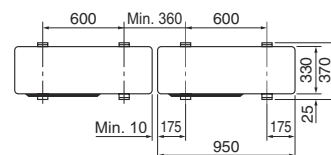


Fig. 3-1

4. Instalação da tubagem do refrigerante

4.1. Precauções para dispositivos que utilizam o refrigerante R410A

- Consulte a 1.4., que contém outras precauções relativamente à utilização de aparelhos de unidade exterior com o refrigerante R410A.
- Utilize óleo de éster, de éter ou de alquilbenzeno (pequenas quantidades) como óleo de refrigeração para revestir as secções afuniladas.
- Utilize fósforo de cobre C1220, para tubagens de cobre ou de liga de cobre sem juntas, para ligar a tubagem do refrigerante. Utilize tubos de refrigerante com a espessura especificada na tabela. Certifique-se de que o interior da tubagem está limpo e não contém substâncias tóxicas, tais como compostos de enxofre, oxidantes, sujidade ou poeira. Aplicar sempre soldadura inoxidável para soldar os tubos, pois de outra forma o compressor sofrerá danos.

⚠ Aviso:

Ao instalar ou mudar o aparelho de unidade exterior de sítio, utilize apenas o refrigerante especificado (R410A) para carregar as linhas de refrigerante. Não o misture com qualquer outro refrigerante e assegure-se de que não fica ar nas linhas.

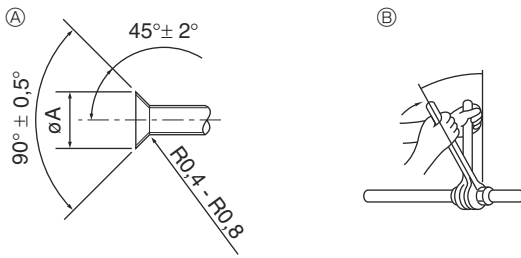
Se o ar for misturado com o refrigerante, tal pode causar uma pressão alta anómala na linha do refrigerante, o que pode resultar numa explosão e outros perigos.

O uso de qualquer refrigerante diferente do especificado para o sistema causará uma falha mecânica ou avaria do sistema ou falta da unidade. No pior dos casos, isto pode comprometer seriamente a segurança do produto.

Tamanho do tubo (mm)	ø6,35	ø9,52	ø12,7	ø15,88	ø19,05	ø22,2	ø25,4	ø28,58
Espessura (mm)	0,8	0,8	0,8	1,0	1,0	1,0	1,0	1,0

- Não utilize tubos com uma espessura menor do que a indicada.
- Utilize tubos 1/2 H ou H se o diâmetro for de 22,2 mm ou maior.

4. Instalação da tubagem do refrigerante



Ⓐ Dimensões do corte de afunilamento
Ⓑ Binário de aperto da porca afunilada

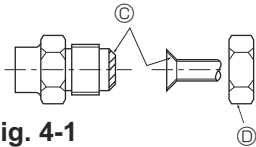


Fig. 4-1

Ⓐ (Fig. 4-1)

Tubo de cobre O.D. (mm)	Dimensões de afunilamento ϕA dimensões (mm)
$\phi 6,35$	8,7 - 9,1
$\phi 9,52$	12,8 - 13,2
$\phi 12,7$	16,2 - 16,6
$\phi 15,88$	19,3 - 19,7
$\phi 19,05$	23,6 - 24,0

Ⓑ (Fig. 4-1)

Tubo de cobre O.D. (mm)	Porca afunilada O.D. (mm)	Binário de Aperto (N·m)
$\phi 6,35$	17	14 - 18
$\phi 6,35$	22	34 - 42
$\phi 9,52$	22	34 - 42
$\phi 12,7$	26	49 - 61
$\phi 12,7$	29	68 - 82
$\phi 15,88$	29	68 - 82
$\phi 15,88$	36	100 - 120
$\phi 19,05$	36	100 - 120

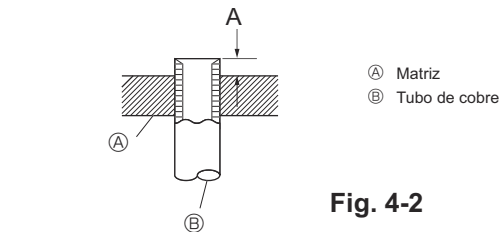


Fig. 4-2

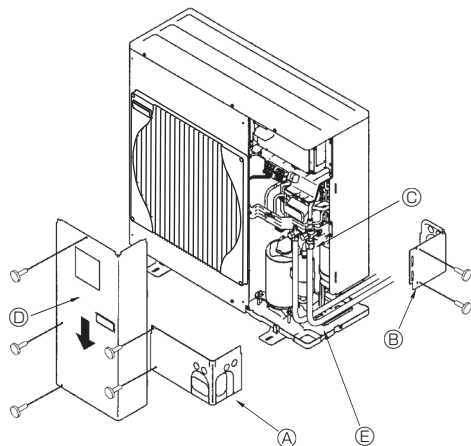


Fig. 4-3

Ⓐ Tampa da tubagem frontal
Ⓑ Tampa da tubagem
Ⓒ Válvula de paragem
Ⓓ Painel de serviço
Ⓔ Raio da curvatura : 100 mm - 150 mm

4.2. Tubos de ligação (Fig. 4-1)

- Se forem utilizados tubos de cobre comercialmente disponíveis, limpe os tubos de líquido e de gás com materiais de isolamento comercialmente disponíveis (resistentes ao calor de 100°C ou mais, com uma espessura de 12 mm ou mais). O contacto directo com a tubagem pode resultar em queimaduras ou úlceras causadas pelo frio.
- As peças internas do tubo de drenagem devem ser limpas com materiais de isolamento de espuma de polietileno (gravidade específica de 0,03 de espessura de 9 mm ou mais).
- Aplique uma fina camada de óleo refrigerante ao tubo e à superfície de costura da junta antes de apertar a porca do tubo. Ⓐ
- Aperte os tubos de ligação com duas chaves. Ⓑ
- Depois de feitas as ligações, utilize um detector de fugas ou água de sabão para se certificar de que não há fugas de gás.
- Aplique óleo de máquina refrigerante em toda a superfície de encaixe de afunilamento. Ⓒ
- Utilize as porcas afuniladas para o tamanho de tubo que se segue. Ⓓ

		SW50	SW75	SW100, 120
Lado do gás	Tamanho do tubo (mm)	$\phi 12,7$	$\phi 15,88$	$\phi 15,88$
Lado do líquido	Tamanho do tubo (mm)	$\phi 6,35$	$\phi 9,52$	$\phi 9,52$

- Ao dobrar os tubos, tenha cuidado para não os partir. Níveis de curvatura de 100 mm a 150 mm são suficientes.
- Assegure-se de que os tubos não entram em contacto com o compressor. Tal pode provocar ruído ou vibrações.

- Os tubos devem ser ligados começando pela unidade interior.
As porcas de afunilamento devem ser apertadas utilizando uma chave dinamómetro.
- Afunile os tubos de líquido e os tubos de gás e aplique uma camada fina de óleo de refrigeração (aplicado no local).
- Quando utilizar um isolante de tubos normal, consulte a Tabela 1 relativamente ao afunilamento de tubos de refrigerante R410A.
O manómetro de ajuste de tamanho pode ser utilizado para confirmar as medidas A.

Tabela 1 (Fig. 4-2)

Tubo de cobre O.D. (mm)	A (mm)	
	Ferramenta de afunilamento para R410A	Tipo de alavanca
$\phi 6,35$ (1/4")	0 - 0,5	
$\phi 9,52$ (3/8")	0 - 0,5	
$\phi 12,7$ (1/2")	0 - 0,5	
$\phi 15,88$ (5/8")	0 - 0,5	
$\phi 19,05$ (3/4")	0 - 0,5	

⚠ Aviso:

Quando instalar a unidade, ligue os tubos de refrigerante firmemente antes de ligar o compressor.

4.3. Tubagem do refrigerante (Fig. 4-3)

■ Para o SW50

Retire o painel de manutenção Ⓓ (1 parafuso).

■ Para o SW75-120

Remova o painel de manutenção Ⓓ (3 parafusos), a tampa da tubagem frontal Ⓐ (2 parafusos) e a tampa da tubagem traseira Ⓑ (2 parafusos: SW75) (4 parafusos: SW100, 120).

- Execute as ligações da tubagem de refrigerante para a unidade interior/exterior quando a válvula de paragem da unidade exterior estiver completamente fechada.
- Purgue o ar da unidade interior e da tubagem de ligação.
- Após ter efectuado a ligação dos tubos de refrigerante, verifique se não existem fugas de gás nos tubos ligados e na unidade interior. (Consulte 4.4. Teste de vedação ao ar do tubo de refrigerante.)

- Na porta de serviço das válvulas de retenção, utiliza-se uma bomba de vácuo de elevado desempenho para manter o vácuo durante o tempo necessário (pelo menos uma hora depois de atingir -101 kPa (5 Torr)), de forma a efectuar a secagem por vácuo do interior da tubagem. Verifique sempre o nível de vácuo no manómetro do colectador. Se se verificar a existência de humidade na tubagem, o nível de vácuo por vezes não é atingido na aplicação de vácuo de curta duração.

Após a secagem por vácuo, abra completamente as válvulas de retenção (de líquido e de gás) para a unidade exterior. Desta forma, os circuitos de refrigeração internos e externos ficarão completamente ligados.

- Se a secagem por vácuo não for realizada correctamente, ar e água permanecerão nos circuitos refrigerantes, podendo provocar uma subida anormal dos níveis de alta pressão e uma descida anormal dos níveis de baixa pressão, bem como a deterioração do óleo da máquina de congelação devido à humidade, etc.
- Se as válvulas de retenção forem deixadas fechadas e a unidade for ligada, o compressor e as válvulas de controlo serão danificados.
- Utilize um detector de fugas ou água com uma solução de sabão para verificar se existem fugas de gás nas secções de ligação dos tubos da unidade exterior.
- Não utilize o refrigerante da unidade para purgar o ar das linhas de refrigerante.
- Depois de a operação da válvula estar concluída, aperte as tampas da válvula até à pressão adequada: 20 a 25 N·m (200 a 250 kgf·cm).

Se as tampas não forem substituídas e apertadas, podem ocorrer fugas de refrigerante. Para além disso, não danifique o interior das tampas das válvulas, pois funcionam como vedante para evitar fugas de refrigerante.

- Utilize vedante para vedar as extremidades do isolamento térmico em torno das secções de ligação dos tubos, para evitar a entrada de água no isolamento térmico.

4. Instalação da tubagem do refrigerante

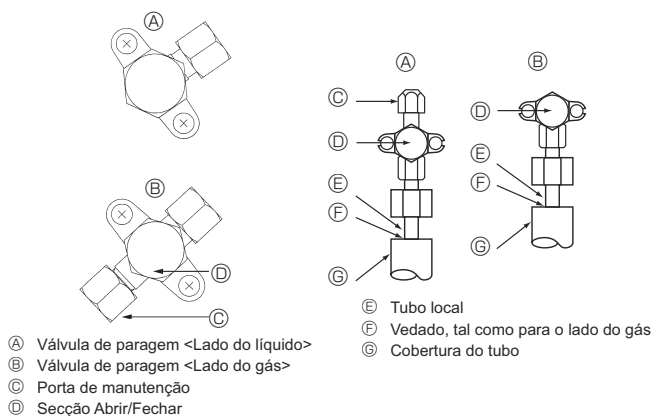


Fig. 4-4

4.4. Teste de vedação ao ar do tubo de refrigerante (Fig. 4-4)

- (1) Ligue as ferramentas de teste.
 - Certifique-se de que as válvulas de retenção (A) (B) estão fechadas e não as abra.
 - Adicione pressão às linhas de refrigerante através da porta de serviço (C) da válvula de retenção do líquido (A).
- (2) Não adicione pressão na quantidade especificada de uma só vez; adicione pressão aos poucos.
 - ① Pressurize até 0,5 MPa (5 kgf/cm²G), aguarde cinco minutos e assegure-se de que a pressão não diminui.
 - ② Pressurize até 1,5 MPa (15 kgf/cm²G), aguarde cinco minutos e assegure-se de que a pressão não diminui.
 - ③ Pressurize até 4,15 MPa (41,5 kgf/cm²G) e meça a temperatura ambiente e a temperatura do refrigerante.
- (3) Se a pressão especificada se mantiver durante cerca de um dia e não diminuir, os tubos terão passado no teste e não existem fugas.
 - Se a temperatura ambiente se alterar em 1°C, a pressão irá alterar-se em cerca de 0,01 MPa (0,1 kgf/cm²G). Efectue as correcções necessárias.
- (4) Se a pressão diminuir nos passos (2) ou (3), existe uma fuga de gás. Procure descobrir a causa da fuga de gás.

4.5. Método de abertura da válvula de paragem

O método de abertura da válvula de retenção varia consoante o modelo de unidade exterior. Utilize o método adequado para abrir as válvulas de retenção.

- (1) Lado do gás para o SW75 (Fig. 4-5)
 - ① Retire a tampa e rode a válvula para a esquerda o máximo que puder com uma chave sextavada de 5 mm. Pare de rodar quando esta alcançar o batente. (Ø15,88: Aproximadamente 13 rotações)
 - ② Certifique-se de que a válvula de paragem esteja completamente aberta e gire a cápsula de volta à sua posição original.
- (2) Lado do gás para o SW100, 120 (Fig. 4-6)
 - ① Remova a cápsula, puxe a alavanca na sua direcção e gire 1/4 de volta no sentido contrário aos ponteiros do relógio para abrir.
 - ② Certifique-se de que a válvula de paragem esteja completamente aberta, empurre a alavanca e gire a cápsula de volta à sua posição original.
- (3) Lado do líquido do SW75-120 e lado do Gás/Líquido do SW50-75 (Fig. 4-7)
 - ① Retire a tampa e rode a válvula para a esquerda o máximo que puder com uma chave sextavada de 4 mm. Pare de rodar quando esta alcançar o batente. (Ø9,52: Aproximadamente 10 rotações)
 - ② Certifique-se de que a válvula de paragem esteja completamente aberta, empurre a alavanca e gire a cápsula de volta à sua posição original.

Os tubos de refrigerante são revestidos de forma segura para o SW75-120

- Os tubos podem ser revestidos de forma segura até um diâmetro de Ø90 antes ou depois de efectuar a ligação dos tubos. Corte o recorte na tampa do tubo, seguindo a ranhura, e revista os tubos.

Intervalo de entrada do tubo para o SW75-120

- Utilize pasta ou vedante para vedar a entrada do tubo em torno dos tubos, para que não existam intervalos. (Se os intervalos não forem eliminados, pode verificar-se a emissão de ruído ou a entrada de poeira na unidade, provocando avarias.)

Precauções de utilização da válvula de carga (Fig. 4-8)

Quando instalar a porta de serviço não a aperte demasiado, pois se apertar demasiado, o núcleo da válvula pode ficar deformado e soltar-se, provocando uma fuga de gás.

Depois de posicionar a secção (B) na direcção pretendida, rode apenas a secção (A) e aperte-a.

Depois de apertar a secção (A) não aperte mais as secções (A) e (B) em conjunto.

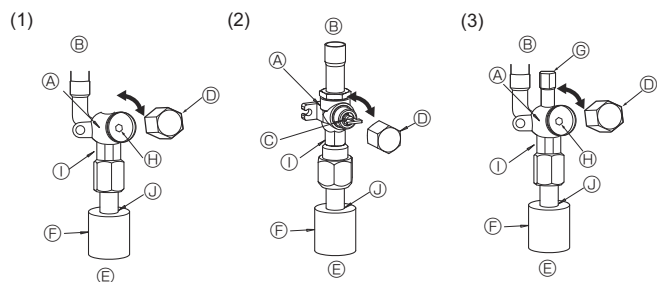


Fig. 4-5

Fig. 4-6

Fig. 4-7

- A) Válvula
- B) Lado da unidade
- C) Alavanca
- D) Cápsula
- E) Lado do tubo local
- F) Tampa do tubo
- G) Porta de manutenção
- H) Furo da chave

- I) Secção de chave dupla (Não aplique uma chave dupla noutra secção que não esta. Se o fizer, pode provocar fugas de líquido refrigerante)
- J) Secção de vedação (Vede a extremidade do material termo-isolante na secção de ligação do tubo, utilizando para o efeito qualquer material vedante, de forma a evitar a infiltração de água no material termo-isolante.)

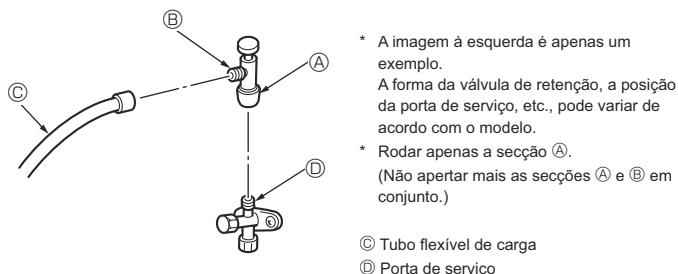


Fig. 4-8

4.6. Adição de refrigerante

- Se o comprimento do tubo não exceder os 10 m, não é necessário um abastecimento adicional para esta unidade.
- Se o comprimento do tubo exceder os 10 m, adicione refrigerante R410A à unidade de acordo com os comprimentos do tubo permitidos na tabela abaixo.
 - * Quando a unidade estiver desligada, abasteça-a com o refrigerante adicional através da válvula de retenção de líquido depois das extensões do tubo e unidade interior terem sido aspiradas. Quando a unidade estiver a funcionar, adicione refrigerante na válvula de retenção de gás utilizando um carregador de segurança. Não adicione líquido refrigerante directamente na válvula de retenção.
 - * Após abastecer a unidade com refrigerante, anote a quantidade de refrigerante adicionada na etiqueta da manutenção (colada à unidade). Consulte a secção "1.4. Utilização de aparelhos de unidade exterior refrigerantes R410A" para obter mais informações.

- Tenha cuidado quando instalar várias unidades. A ligação a uma unidade interior incorrecta pode provocar uma pressão involuntariamente elevada e ter um efeito negativo no rendimento da unidade.

Modelo	Comprimento de tubo permitido	Diferença vertical permitida	Quantidade de refrigerante adicional					
			11 - 20 m	21 - 30 m	31 - 40 m	41 - 50 m	51 - 60 m	61 - 75 m
SW50	2 m - 40 m	-30 m	0,2 kg	0,4 kg	0,6 kg	—	—	—
SW75	2 m - 40 m	-30 m	0,15 kg	0,3 kg	0,6 kg	—	—	—
SW100, 120	2 m - 75 m	-30 m	0,2 kg	0,4 kg	1,0 kg	1,6 kg	2,2 kg	2,8 kg

5. Trabalho de tubagem de drenagem

Ligação do tubo de drenagem da unidade exterior

Se for necessário drenar a tubagem, utilize o bocal de drenagem ou o recipiente de drenagem (opção).

	SW50	SW75	SW100, 120
Bocal de drenagem	PAC-SJ08DS-E	PAC-SG61DS-E	
Recipiente de drenagem	PAC-SG63DP-E	PAC-SG64DP-E	

6. Trabalho de tubagem de água

Quantidade de água mínima

A quantidade de água indicada a seguir é necessária no circuito de água.

Modelo	Quantidade mínima de água (l)
SW50	22
SW75	32
SW100	43
SW120	54

Certifique-se de que toma uma medida de protecção contra a congelação, como aplicar solução anticongelante quando utilizar a unidade no modo de refrigeração a uma temperatura ambiente baixa (inferior a 0 °C).

7. Trabalho de electricidade

7.1. Unidade exterior (Fig. 7-1, Fig. 7-2)

- ① Remova o painel de manutenção.
- ② Ligue os cabos consultando a Fig. 7-1 e a Fig. 7-2.

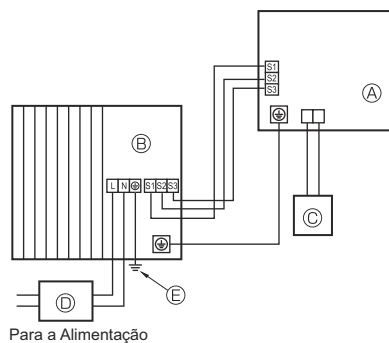
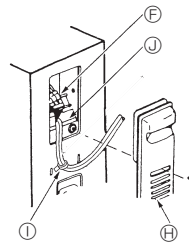


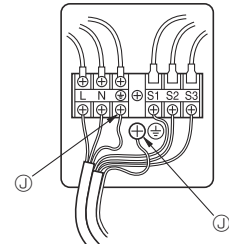
Fig. 7-1

- A Unidade interior (Unidade de interface/controlo da temp. do fluxo)
- B Unidade exterior
- C Controlo remoto
- D Interruptor principal (Disjuntor de fuga para terra)
- E Ligação à terra

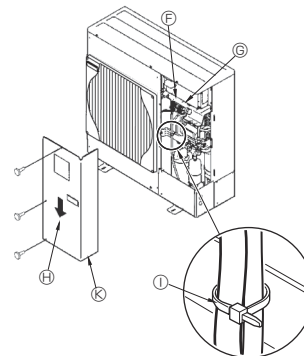
SW50



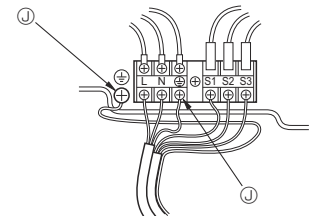
SW50



SW75-120



SW75-120V



SW100, 120V

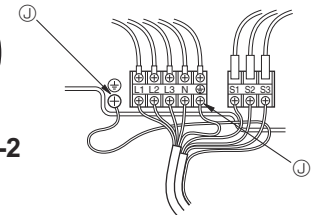


Fig. 7-2

- F Bloco de terminais
- G Bloco de terminais de ligação interior/exterior (S1, S2, S3)
- H Painel de manutenção
- I Grampo
- * Prenda os cabos para que não fiquem em contacto com o centro do painel de manutenção nem com a válvula do gás.
- J Borne de terra
- K Encaminhe os cabos de forma a que não entrem em contacto com o centro do painel de manutenção.

Nota:

Se a chapa de protecção da caixa eléctrica for retirada durante os serviços de manutenção, não se esqueça de a reinstalar.

⚠ Cuidado:

Certifique-se de que instala a linha N. Sem a linha N, a unidade poderá ficar danificada.

7. Trabalho de electricidade

7.2. Cablagem eléctrica

Modelo da unidade exterior	SW50V	SW75V	SW100V	SW120V	SW100, 120Y	
Unidade exterior corrente	~N (Monofásica), 50 Hz, 230 V	~N (Monofásica), 50 Hz, 230 V	~N (Monofásica), 50 Hz, 230 V	~N (Monofásica), 50 Hz, 230 V	3N~ (3 fases 4 fios), 50 Hz, 400 V	
Capacidade de entrada da unidade exterior Interruptor principal (Disjuntor) *1	16 A	25 A	32 A	40 A	16 A	
Cablagem Fio n.º x secção (mm²)	Unidade exterior corrente	3 x Min. 1,5	3 x Min. 2,5	3 x Min. 4	3 x Min. 6	5 x Min. 1,5
	Unidade interior/unidade exterior *2	3 x 1,5 (Polar)	3 x 1,5 (Polar)	3 x 1,5 (Polar)	3 x 1,5 (Polar)	3 x 1,5 (Polar)
	Terra da unidade interior-unidade exterior *2	1 x Min. 1,5	1 x Min. 1,5	1 x Min. 1,5	1 x Min. 1,5	1 x Min. 1,5
	Ligação do controlador remoto/unidade interior *3	2 x 0,3 (Não polar)	2 x 0,3 (Não polar)	2 x 0,3 (Não polar)	2 x 0,3 (Não polar)	2 x 0,3 (Não polar)
Potência nominal do circuito	Unidade exterior L-N (Monofásica)	230 V CA	230 V CA	230 V CA	230 V CA	230 V CA
	Unidade exterior L1-N, L2-N, L3-N (3 fases) *4	230 V CA	230 V CA	230 V CA	230 V CA	230 V CA
	Unidade interior/unidade exterior S1-S2 *4	230 V CA	230 V CA	230 V CA	230 V CA	230 V CA
	Unidade interior/unidade exterior S2-S3 *4	24 V CC	24 V CC	24 V CC	24 V CC	24 V CC
Ligação do controlador remoto/unidade interior *4	12 V CC	12 V CC	12 V CC	12 V CC	12 V CC	

*1. Utilize um disjuntor de fuga à terra (NV) com uma separação de, pelo menos, 3,0 mm entre os contactos dos pólos.

Certifique-se de que o disjuntor de corrente de fuga é compatível com harmónicos mais altos.

Utilize sempre um disjuntor de corrente de fuga que seja compatível com harmónicos mais altos, uma vez que esta unidade está equipada com um inversor.

A utilização de um disjuntor inadequado pode provocar o mau funcionamento do inversor.

*2. Máx. 45 m

Se forem utilizados 2,5 mm², máx. 50 m

Se forem utilizados 2,5 mm² e S3 separado, máx. 80 m

*3. Existe um fio de 10 m ligado ao acessório do controlo remoto.

*4. Os valores NÃO se aplicam sempre em relação à terra.

O terminal S3 tem uma diferença de 24 V CC em relação ao terminal S2. Entre os terminais S3 e S1, a ligação NÃO está isolada electricamente pelo transformador ou outro dispositivo.

Notas: 1. A dimensão da cablagem deve estar em conformidade com as regulamentações nacionais e locais aplicáveis.

2. Os cabos de alimentação e os cabos de ligação de ligação da unidade interior/exterior não devem ser inferiores a cabos flexíveis revestidos a policloropreno. (Tipo 60245 IEC 57)

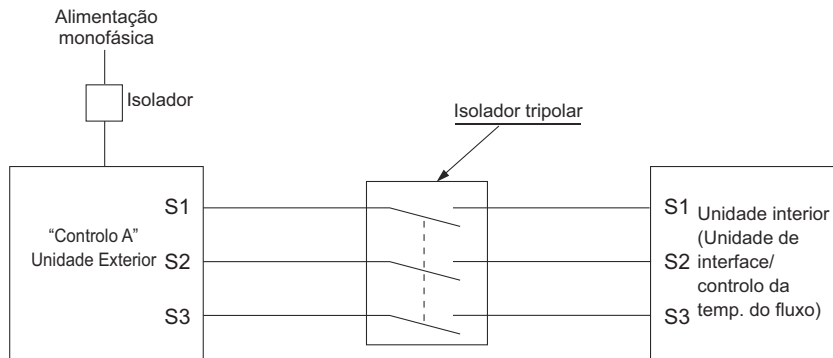
3. Certifique-se de que liga os cabos entre a unidade de interface/controlo da temp. do fluxo e a unidade exterior directamente às unidades (não são permitidas ligações intermédias).

As ligações intermédias podem resultar em erros de comunicação. Caso se verifique a entrada de água num ponto de ligação intermédio, pode provocar o isolamento insuficiente à terra ou um mau contacto eléctrico.

(Se for mesmo necessário efectuar uma ligação intermédia, certifique-se de que adopta medidas no sentido de evitar a entrada de água nos cabos.)

4. Instale um fio de terra mais comprido do que os outros cabos.

5. Não construa um sistema cuja fonte de alimentação seja ligada (ON) e desligada (OFF) com frequência.



⚠ Aviso:

- No caso da ligação eléctrica de controlo A, existe a possibilidade de alta tensão no terminal S3, causada por um circuito eléctrico que não possui isolamento eléctrico entre a linha de alta tensão e a linha de sinal de comunicação. Por conseguinte, desligue a fonte de alimentação principal ao fazer qualquer reparação. Além disso, não toque nos terminais S1, S2 e S3 enquanto a corrente estiver ligada. Se tiver de utilizar o isolador entre a unidade interior e a exterior, utilize um do tipo tripolar.

Nunca una o cabo de alimentação ou o cabo de ligação interior-exterior, caso contrário pode resultar em fumo, incêndio ou uma falha de comunicação.

8. Funções especiais

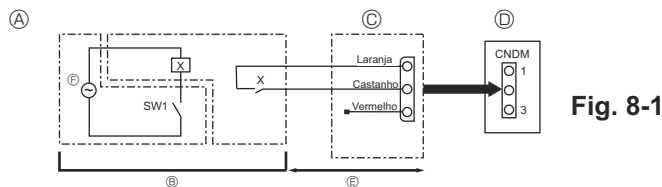


Fig. 8-1

- A Exemplo de diagrama de circuito (modo de baixo nível de ruído)
 B Disposição no local
 C Adaptador de entrada externo (PAC-SC36NA-E)
 D Painel de controlo da unidade exterior
 E Máx. 10 m
 F Alimentação para relé
 X: Relé

8.1. Modo de baixo nível de ruído (modificação no local) (Fig. 8-1)

Ao efectuar a alteração que se segue, o ruído de funcionamento da unidade exterior pode ser reduzido em cerca de 3-4 dB.

O modo de baixo nível de ruído será activado quando se adicionar um temporizador à venda no mercado ou um interruptor ON/OFF ao conector CNDM (vendido separadamente) no painel de controlo da unidade exterior.

- A capacidade varia de acordo com a temperatura e condições exteriores.
- Complete o circuito, tal como demonstrado, ao utilizar o adaptador de entrada externo (PAC-SC36NA-E). (vendido separadamente)
 - SW7-1 (Painel de controlo da unidade exterior): OFF
 - SW1 ligado (ON): Modo de baixo nível de ruído
SW1 desligado (OFF): Funcionamento normal

8.2. Recuperação de refrigerante (bombagem)

Efectue os procedimentos que se seguem para recuperar o refrigerante ao transferir a unidade interior ou exterior.

- Ligue a fonte de alimentação (disjuntor).
 - Quando for fornecida corrente, certifique-se de que não surge a indicação "CENTRALLY CONTROLLED" (controlado centralmente) no controlo remoto. Se a indicação "CENTRALLY CONTROLLED" surgir, a recuperação de refrigerante não poderá ser concluída normalmente.
 - O arranque da comunicação interior-exterior demora cerca de 3 minutos após a ligação da fonte de alimentação (disjuntor). Inicie a operação de bombagem 3 a 4 minutos após a ligação da fonte de alimentação (disjuntor).
 - Em caso de controlo de várias unidades, antes de proceder à ligação da alimentação desligue a cablagem de ligação entre a unidade interior principal e a unidade interior secundária. Para obter mais informações, consulte o manual de instalação da unidade interior.
- Depois de a válvula de retenção de líquido ter fechado, ligue (posição ON) o interruptor SWP no painel de controlo da unidade exterior. O compressor (unidade exterior) e os ventiladores (unidades interiores e exteriores) começam a funcionar e a operação de recuperação de refrigerante tem início. O LED1 e o LED2 no painel de controlo da unidade exterior acendem.
 - Ligue (posição ON) o interruptor SWP (tipo botão de premir) somente se a unidade estiver desligada. Contudo, mesmo que a unidade esteja desligada e o interruptor SWP seja ligado (posição ON) menos de 3 minutos depois de o compressor parar, não poderá ser efectuada a operação de recuperação de refrigerante. Aguarde 3 minutos após o compressor ter parado e, depois, ligue novamente (posição ON) o interruptor SWP.
- Uma vez que a unidade pára automaticamente cerca de 2 a 3 minutos após a operação de recuperação de refrigerante (LED1 apagado, LED2 aceso), certifique-se de que fecha imediatamente a válvula de retenção de gás. Se o LED1 estiver aceso e o LED2 apagado e a unidade exterior estiver parada, a recuperação de refrigerante não será correctamente efectuada. Abra completamente a válvula de retenção de líquido e, em seguida, repita o passo 2 passados 3 minutos.
 - Se a operação de recuperação de refrigerante tiver sido concluída normalmente (LED1 apagado, LED2 aceso), a unidade permanecerá parada até que a fonte de alimentação seja desligada.
- Interrompa o fornecimento de corrente (disjuntor).
 - Tenha em atenção que, quando a tubagem de extensão é demasiado comprida e existe uma grande quantidade de refrigerante, poderá não ser possível efectuar uma operação de bombagem. Quando realizar a operação de bombagem, certifique-se de que a pressão baixa é reduzida até aproximadamente 0 MPa (manómetro).

⚠ Aviso:

Quando proceder à bombagem do refrigerante, desligue o compressor antes de desligar os tubos de refrigerante. O compressor pode rebentar se houver entrada de ar, etc.

9. Controlo do sistema

Programe o local do refrigerante utilizando o comutador DIP da unidade exterior.

Definição de função SW1

Definição SW1	Local do refrigerante	Definição SW1	Local do refrigerante
ON OFF 3 4 5 6 7	00	ON OFF 3 4 5 6 7	03
ON OFF 3 4 5 6 7	01	ON OFF 3 4 5 6 7	04
ON OFF 3 4 5 6 7	02	ON OFF 3 4 5 6 7	05

Nota:

- Podem ser ligadas até 6 unidades.
- Selecione um único modelo para todas as unidades.
- Para as definições do comutador DIP da unidade interior, consulte o manual de instalação da unidade interior.

10. Especificações

Modelo exterior		PUHZ-SW50VKA	PUHZ-SW75VHA	PUHZ-SW100VHA	PUHZ-SW120VHA	PUHZ-SW100YHA	PUHZ-SW120YHA
Fonte de alimentação	V / Fase / Hz	230 / Única / 50				400 / Três / 50	
Dimensões (A × L × P)	mm	809 × 630 × 360	950 × 943 × 330(+30)	950 × 1350 × 330(+30)			
Nível sonoro *1							
SPL	Aquecimento	dB(A)	46	51	54	54	54
	Refrigeração	dB(A)	46	48	50	51	51
PWL	Aquecimento	dB(A)	63	69	70	72	72

*1 Medido sob frequência nominal de funcionamento.

Indholdsfortegnelse

1. Sikkerhedsforanstaltninger.....	74	6. Arbejde på vandledning.....	80
2. Montagested.....	75	7. Elektrisk arbejde.....	80
3. Montering af den udendørs enhed.....	77	8. Specielle funktioner.....	82
4. Montering af kølemiddelrør.....	77	9. Systemkontrol.....	82
5. Føring af drænrør.....	80	10. Specifikationer.....	82



Bemærk: Dette symbol gælder kun for EU-lande.

Symbolet er i overensstemmelse med artikel 14 af direktiv 2012/19/EU Oplysninger til brugere og Tillæg IX.

Dit produkt fra MITSUBISHI ELECTRIC er designet og fremstillet med kvalitetsmaterialer og -komponenter, der kan genbruges.

Dette symbol viser, at elektrisk eller elektronisk udstyr ikke må bortskaffes sammen med almindeligt husholdningsaffald efter endt levetid.

Bortskaf dette udstyr på en lokal genbrugsplads.

I EU er der særskilte indsamlingsordninger for elektriske og elektroniske produkter.

Hjælp os med at bevare det miljø, vi lever i!

⚠ Forsigtig:

- Udluft ikke R410A til atmosfæren:
- R410A er en fluorberiget drivhusgas, der er omfattet af Kyoto-protokollen med risiko for global opvarmning (GWP)=1975.

1. Sikkerhedsforanstaltninger

- ▶ Læs alle "Sikkerhedsforanstaltninger", før De installerer enheden.
- ▶ De skal forhøre Dem hos forsyningskilden før tilslutning til systemet.

⚠ Advarsel:

Beskriver sikkerhedsforanstaltninger, der skal træffes, for at undgå personskade eller dødsfald.

⚠ Forsigtig:

Beskriver forholdsregler, der skal træffes, for at forhindre at enheden bliver beskadiget.

⚠ Advarsel:

- Enheden må ikke installeres af brugeren. Lad en forhandler eller en autoriseret tekniker installere enheden. Hvis enheden ikke installeres korrekt, kan det resultere i vandlækage, elektrisk stød eller brand.
- Foretag installationen i overensstemmelse med installationsvejledningen, og brug værktøj og rørdel, der er specielt beregnet til anvendelse sammen med R410A kølemiddel. R410A kølemidlet i HFC-systemet er under 1,6 gange højere tryk end sædvanlige kølemidler. Hvis der anvendes rørdel, der ikke er konstrueret til R410A kølemiddel og enheden ikke installeres korrekt, kan rørene sprænges og forårsage beskadigelse eller kvæstelse. Der kan desuden opstå vandlækage, elektrisk stød eller brand.
- For at minimere risikoen for beskadigelse som følge af jordskælv, tyfoner eller kraftigt stormvejr skal enheden installeres ifølge vejledningen. En ukorrekt installeret enhed kan falde ned og forårsage beskadigelse eller kvæstelser.
- Enheden skal monteres fast og sikkert på en underkonstruktion, der kan bære dens vægt. Hvis enheden monteres på en ustabil konstruktion, kan den falde ned og forårsage beskadigelse og kvæstelser.
- Hvis udendørsenheden installeres i et lille rum, skal der tages forholdsregler til at forhindre, at kølemiddelkoncentrationen i rummet overstiger sikkerhedsgrænsen i tilfælde af kølemiddellækage. Kontakt en forhandler mht. de passende forholdsregler til forhindring af, at den tilladte koncentration overskrides. Hvis der opstår lækage af kølemidlet, som forårsager overskridelse af koncentrationsgrænsen, kan der opstå livsfare på grund af manglende ilt i rummet.
- Ventil rummet hvis der opstår kølemiddellækage under driften. Hvis kølemidlet kommer i kontakt med åben ild, afgives der giftige gasser.
- Alle elinstallationsarbejder skal udføres af en faguddannet elinstallatør og ifølge de lokale bestemmelser og instruktionerne i denne vejledning. Enheden skal forsynes med strøm fra dertil beregnede forsyningsledninger og med den korrekte spænding og korrekte hovedafbrydere. Strømforsyningsledninger med utilstrækkelig kapacitet eller ukorrekt udført elinstallationsarbejde kan medføre elektrisk stød eller brand.
- Brug C1220 kobber-fosfor legering, for sømløse rør af kobber og kobberlegering, til at samle kølemiddelrør. Hvis rørene ikke samles korrekt, bliver enheden ikke ordentligt jordet, hvilket kan resultere i elektrisk stød.

Efter afslutning af installationsarbejdet skal "Sikkerhedsforanstaltninger", brug og vedligeholdelsen af enheden forklares for kunden ifølge betjeningsvejledningen. Desuden skal der foretages en testkørsel for at sikre normal funktion. Både installations- og betjeningsvejledningen skal overdrages til brugeren. Disse vejledninger skal gives videre til efterfølgende brugere.

⚡ : Angiver en del, der skal jordforbindes.

⚠ Advarsel:

Læs etiketterne på hovedenheden omhyggeligt.

- Brug kun de anviste kabler til kabelføring. Kabelforbindelserne skal være sikre, så der ikke er belastning af terminalforbindelserne. Undgå desuden at sammensplejse kabler til kabelføring (medmindre andet er anvist i dette dokument). Manglende overholdelse af disse instruktioner kan medføre overophedning eller brand.
- Klemkassens dæksel på den udvendige enhed skal skrues godt fast. Hvis dækslet monteres ukorrekt og der kommer støv og fugt ind i enheden, kan der opstå elektrisk stød eller brand.
- Ved installation, flytning eller serviceeftersyn af udendørsenheden må der kun anvendes det specificerede kølemiddel (R410A) til fyldning af kølemiddeldrørene. Det må ikke blandes med nogen anden type kølemiddel, og der må ikke være luft tilbage i rørene. Hvis der blandes luft sammen med kølemidlet, kan det forårsage et unormalt højt tryk i kølemiddelrøret og resultere i en eksplosion og andre farlige situationer. Hvis der bruges andre kølemidler end det, der er specificeret for systemet, forårsager det mekanisk driftssvigt eller funktionsfejl i systemet eller nedbrud af enheden. I værste fald kan det føre til en alvorlig hindring for produktsikkerheden.
- Brug kun tilbehør, der er godkendt af Mitsubishi Electric og lad en forhandler eller en autoriseret tekniker installere dem. Hvis tilbehøret ikke installeres korrekt, kan det resultere i vandlækage, elektrisk stød eller brand.
- Der må ikke foretages ændringer på enheden. Lad en forhandler foretage reparationer. Hvis ændringer eller reparationer ikke udføres korrekt, kan det resultere i vandlækage, elektrisk stød eller brand.
- Brugeren bør aldrig forsøge at reparere enheden eller flytte den til en anden placering. Hvis enheden ikke installeres korrekt, kan det resultere i vandlækage, elektrisk stød eller brand. Hvis udendørsenheden skal repareres eller flyttes, skal det udføres af en forhandler eller en autoriseret tekniker.
- Når installationen er afsluttet, kontrolleres for kølemiddellækager. Hvis kølemiddel løber ud i rummet og kommer i kontakt med åben ild (f.eks. flammen på en opvarmingsenhed eller et transportabelt kogeudstyr), vil der opstå giftige gasser.

1.1. Inden installationen

⚠ Forsigtig:

- Brug ikke enheden i usædvanlige omgivelser. Hvis udendørsenheden installeres i områder, hvor det udsættes for damp, flygtig olie (inklusive maskinolie), eller svovlholdige gasser, områder med højt saltindhold som f.eks. ved havet, eller områder hvor enheden kan blive dækket af sne, kan ydelsen blive betydeligt nedsat og de indvendige dele kan blive beskadiget.
- Installer ikke enheden på steder, hvor brændbare gasser kan slippe ud, opstå, strømme eller samle sig. Hvis der samler sig brændbare gasser omkring enheden, kan det medføre brand eller eksplosion.

- Udendørs enheden danner kondensvand under opvarmningsdriften. Sørg for at der er afløb omkring den udvendige enhed, hvis denne kondensdannelse kan forårsage skader.
- Hvis enheden installeres i et hospital eller et kommunikationsrum, skal man være forberedt på støj og elektronisk interferens. Omformere, husholdningsapparater, højfrekvent medicinsk udstyr og radiokommunikationsudstyr kan forårsage, at udendørsenheden fungerer forkert eller ødelægges. Udendørsenheden kan også påvirke medicinsk udstyr, kommunikationsudstyr, kvaliteten af skærm billeder og influere på medicinsk behandling.

1. Sikkerhedsforanstaltninger

1.2. Inden installation (flytning)

⚠ Forsigtig:

- Udvis stor omhyggelighed ved transport eller montering af enhederne. Der skal mindst to personer til at håndtere enheden, da den vejer 20 kg eller mere. Løft ikke i emballagebåndene. Anvend beskyttelseshandsker, når enheden tages ud af emballagen eller flyttes, da hænderne kan blive kvæstet af ribberne eller andre deles kanter.
- Sørg for at bortskaffe emballagen efter gældende regler. Emballagematerialer, som f.eks. søm og andre metal- eller trædele kan forårsage rifter eller andre kvæstelser.

- Grundenheden og tilbehør på udendørsenheden skal regelmæssigt kontrolleres for løse forbindelser, revner eller anden skade. Hvis sådanne defekter ikke repareres, kan enheden falde ned og forårsage skade eller kvæstelser.
- Udendørsenheden må ikke rengøres med vand. Dette kan medføre elektrisk stød.
- Spænd alle brystmøtrikker efter specifikationerne med en momentnøgle. Hvis den spændes for stramt, kan brystmøtrikken knække efter et stykke tid og kølemidlet kan løbe ud.

1.3. Inden el-arbejde

⚠ Forsigtig:

- Sørg for at installere hovedafbrydere. Hvis de ikke installeres, kan der opstå elektrisk stød.
- Brug standard kabler med tilstrækkelig kapacitet til forsyningsledningerne. Ellers kan der opstå kortslutning, overophedning eller brand.
- Ved installation af forsyningsledningerne må der ikke være træk i kablerne. Hvis tilslutningerne løsnes, kan kablerne springe tilbage eller knække, hvilket kan forårsage overophedning eller brand.

- Sørg for at jordforbinde enheden. Forbind ikke jordledningen til gas- eller vandrør, lynafledere eller telefonjordledninger. Hvis enheden ikke er korrekt jordet, kan det resultere i elektrisk stød.
- Brug mekaniske effektafbrydere (HFI-relæ, hovedafbryder (+B sikring) og effektafbryder i støbt hus) med den specificerede kapacitet. Hvis effektafbryderens kapacitet er større end den specificerede kapacitet, kan det resultere i nedbrud eller brand.

1.4. Anvendelse af udendørsenhed med R410A kølemiddel

⚠ Forsigtig:

- Brug C1220 kobber-fosfor legering, for sømløse rør af kobber og kobberlegering, til at samle kølemiddelrør. Kontrollér at det indvendige af rørene er rene og ikke indeholder skadelige forureninger som f.eks. svovlholdige blandinger, oxidanter, affald eller støv. Brug rør med den specificerede tykkelse. (Se 4.1.) Bemærk følgende, hvis eksisterende rør, der har været brugt til R22 kølemiddel, genanvendes.
 - Udskift de eksisterende brystmøtrikker og opkrav de opkravede sektioner igen.
 - Anvend ikke tynde rør. (Se 4.1.)
- Opbevar de rør, der skal anvendes, indendørs og hold begge ender af rørene lukkede indtil lige før lodningen. (Lad knæsamlinger osv. forblive i deres emballage.) Hvis der kommer støv, affald eller fugt ind i kølemiddelrørene, kan det medføre forringelse af olien eller nedbrud af kompressoren.
- Brug ester-olie, ether-olie eller alkylbenzen-olie (i lille mængde) som kølemiddelolie til at smøre på de opkravede sektioner. Hvis mineralolie blandes med kølemiddelolien, kan det forringe olien.

- Der må ikke anvendes andre kølemidler end R410A kølemiddel. Hvis der anvendes andre kølemidler, vil klorindholdet forringe olien.
- Brug følgende værktøj, der er specielt beregnet til anvendelse sammen med R410A kølemiddel. Følgende værktøj er nødvendigt ved anvendelse af R410A kølemiddel. Ved spørgsmål kontaktes den nærmeste forhandler.

Værktøj (til R410A)	
Målermanifold	Opkravningsværktøj
Påfyldningsslange	Størrelsesmåler
Gaslækage detektor	Vakuumpumpeadapter
Momentnøgle	Elektronisk kølemiddelpåfyldningsskala

- Sørg for at anvende det korrekte værktøj. Hvis der kommer støv, affald eller fugt ind i kølemiddelrørene, kan det medføre forringelse af kølemiddelolien.
- Anvend ikke en påfyldningscylinder. Hvis der bruges en påfyldningscylinder, vil sammensætningen af kølemidlet blive ændret, hvilket vil nedsætte effektiviteten.

2. Montagedsted

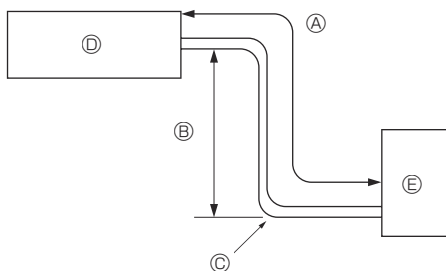


Fig. 2-1

2.1. Kølerør (Fig. 2-1)

- Kontroller, at forskellen mellem højden på den indendørs og den udendørs enhed, længden af kølerørføringen og antallet af bøjninger på rørføringen er indenfor de nedenfor viste grænser.

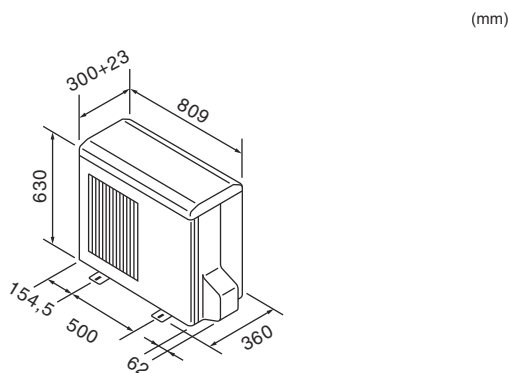
Model	Ⓐ Længde af rørføring (en vej)	Ⓑ Højdeforskel	Ⓒ Antal bøjninger (en vej)
SW50	2 m - 40 m	Max. 30 m	Max. 15
SW75	2 m - 40 m	Max. 30 m	Max. 15
SW100, 120	2 m - 75 m	Max. 30 m	Max. 15

- Grænserne for højdeforskel gælder, ligegyldigt hvilken enhed (den indendørs eller den udendørs), der er placeret højest.

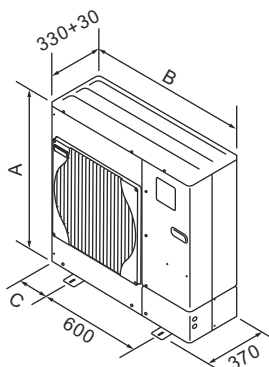
- Ⓓ Indendørs enhed
- Ⓔ Udendørs enhed

2. Montagedsted

■ SW50



■ SW75, 100, 120



Model	A (mm)	B (mm)	C (mm)
SW75	943	950	175
SW100	1350	950	175
SW120	1350	950	175

Fig. 2-2

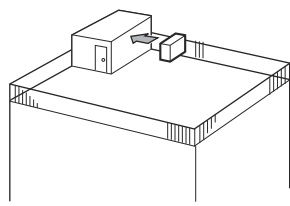


Fig. 2-3

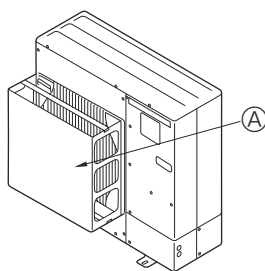


Fig. 2-4

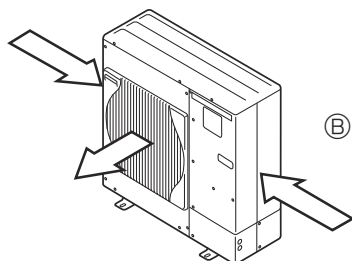


Fig. 2-5

2.2. Valg af placering af den udvendige enhed

- Undgå placeringer, der er udsat for direkte sollys eller andre varmekilder.
- Vælg en placering, hvor støj fra enheden ikke forstyrrer naboerne.
- Vælg en placering, der tillader nem adgang for rør- og ledningsføring til forsyningskilderne og til indendørs enheden.
- Undgå placeringer, hvor brændbare gasser kan lække, opstå, strømme eller samle sig.
- Vær opmærksom på, at der kan løbe vand fra enheden under driften.
- Vælg en vandret placering, der kan bære vægten af og modstå vibrationer fra enheden.
- Undgå placeringer, hvor enheden kan blive dækket af sne. I områder, hvor der kan forventes kraftigt snefald, skal der tages særlige forholdsregler som f.eks. at hæve placeringen af enheden eller montere en hætte på luftindtaget for at forhindre, at sneen blokerer luftindtaget eller blæser direkte imod det. Dette kan reducere luftstrømmen og medføre fejlfunktion.
- Undgå placeringer, der udsættes for olie, damp eller svovlholdige gasser.
- Brug transporthåndtagene på udendørs enheden, når den skal transporteres. Hvis enheden bæres i bunden, kan hænder eller fingre komme i klemme.

2.3. Udvendige mål (Udendørs enhed) (Fig. 2-2)

2.4. Plads til ventilation og service

2.4.1. Installation på et sted med megen blæst

Hvis udendørs enheden installeres på et tag eller et andet sted, hvor den er ubeskyttet imod blæsten, skal enhedens luftudblæsning anbringes, så den ikke udsættes direkte for kraftig blæst. Hvis stærk blæst kommer ind i luftudblæsningen, kan det hæmme den normale luftstrøm og medføre fejlfunktion.

I det følgende vises tre eksempler på forholdsregler imod stærk blæst.

- ① Anbring udblæsningen, så den vender imod den nærmeste væg og ca. 50 cm fra den. (Fig. 2-3)
- ② Montér en ekstra luftledeskærm på steder, hvor kraftig vind kan blæse direkte ind i luftudgangen (Fig. 2-4).
 - Ⓐ Luftledeskærm
- ③ Anbring om muligt enheden således, at luftudblæsningen blæser vinkelret på den fremherskende vindretning. (Fig. 2-5)
 - Ⓑ Vindretning

2.4.2. Ved installation af en enkelt udendørs enhed (Se sidste side)

Der er følgende minimumsmål, bortset fra angivne maks., der betyder maksimumsmål. Tallene i parentes henviser til SW100, 120-modellerne.

Se disse henvisninger i hvert enkelt tilfælde.

- ① Kun forhindringer bagved (Fig. 2-6)
- ② Kun forhindringer bagved og ovenover (Fig. 2-7)
 - Brug ikke udblæsningsledepladerne (ekstraudstyr) til luftstrøm opad.
- ③ Kun forhindringer bagved og i siderne (Fig. 2-8)
 - * 350 for SW50
- ④ Kun forhindringer foran (Fig. 2-9)
 - * Ved anvendelse af en udblæsningsledeplade (ekstraudstyr), skal den fri afstand for modellerne SW100, 120 være 500 mm eller mere.
- ⑤ Kun forhindringer foran og bagved (Fig. 2-10)
 - * Ved anvendelse af en udblæsningsledeplade (ekstraudstyr), skal den fri afstand for modellerne SW100, 120 være 500 mm eller mere.
- ⑥ Kun forhindringer bagved, i siderne og ovenover (Fig. 2-11)
 - * 350 for SW50
 - Brug ikke udblæsningsledepladerne (ekstraudstyr) til luftstrøm opad.

2.4.3. Ved installation af flere udendørs enheder (Se sidste side)

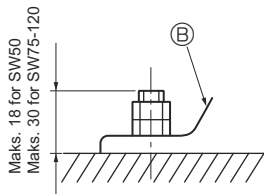
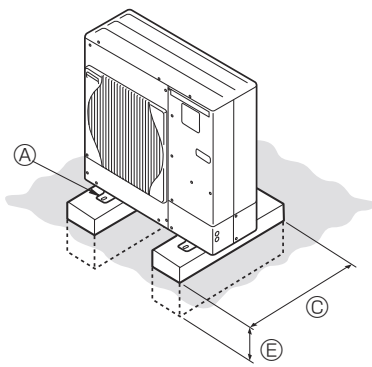
Efterlad mindst 350 mm mellem enhederne for SW50 og 10 mm for SW75-120.

Tallene i parentes henviser til SW100, 120-modellerne.

Se disse henvisninger i hvert enkelt tilfælde.

- ① Kun forhindringer bagved (Fig. 2-12)
- ② Kun forhindringer bagved og ovenover (Fig. 2-13)
 - Der må ikke installeres mere end tre enheder ved siden af hinanden. Der skal desuden være afstand som vist.
 - Brug ikke udblæsningsledepladerne (ekstraudstyr) til luftstrøm opad.
- ③ Kun forhindringer foran (Fig. 2-14)
 - * Ved anvendelse af en udblæsningsledeplade (ekstraudstyr), skal den fri afstand for modellerne SW100, 120 være 1000 mm eller mere.
- ④ Kun forhindringer foran og bagved (Fig. 2-15)
 - * Ved anvendelse af en udblæsningsledeplade (ekstraudstyr), skal den fri afstand for modellerne SW100, 120 være 1000 mm eller mere.
- ⑤ Enkelt parallel enhed arrangement (Fig. 2-16)
 - * Hvis der anvendes en udblæsningsledeplade (ekstraudstyr) til luftstrøm opad, skal den fri afstand være 500 (1000) mm eller mere.
- ⑥ Flere parallelle enheder arrangement (Fig. 2-17)
 - * Hvis der anvendes en udblæsningsledeplade (ekstraudstyr) til luftstrøm opad, skal den fri afstand være 1000 (1500) mm eller mere.
- ⑦ Stabledede enheder arrangement (Fig. 2-18)
 - Enhederne kan stables i op til 2 enheders højde.
 - Der må ikke installeres mere end 2 stabledede enheder ved siden af hinanden. Der skal desuden være afstand som vist.

3. Montering af den udendørs enhed



- (A) M10 (3/8") bolt
- (B) Monteringsplade
- (C) Så lang som muligt.
- (D) Ventilationsåbning
- (E) Grav enheden et stykke ned i jorden

(mm)

- Enheden skal monteres på en solid, plan overflade for at forhindre raslelyde under anvendelsen. (Fig. 3-1)

<Specifikationer for fundament>

Fundamentbolt	M10 (3/8")
Betontykkelse	120 mm
Boltlængde	70 mm
Belastningskapacitet	320 kg

- Kontroller at fundamentbolten er mindre end 30 mm fra monteringspladens bund.
- Fastgør monteringspladen omhyggeligt med fire M10-fundamentbolte på solide steder.

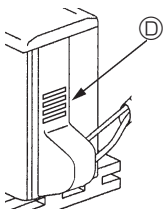
Installation af udendørs enheden

- Sørg for ikke at blokere ventilationsåbningen. Hvis ventilationsåbningen blokeres, vil driften blive forhindret og der kan opstå nedbrud.
- Udover enhedens underdel kan man om nødvendigt anvende installationshul-lerne på bagsiden, der er beregnet til ledninger mm., til installation af enheden. Brug selvskærende skruer (ø5 × 15 mm eller mindre) og monter på stedet.

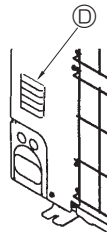
⚠ Advarsel:

- Enheden skal monteres fast og sikkert på en underkonstruktion, der kan bære dens vægt. Hvis enheden monteres på en ustabil konstruktion, kan den falde ned og forårsage beskadigelse og kvæstelser.
- For at minimere risikoen for beskadigelse som følge af jordskælv, tyfoner eller kraftigt stormvejr skal enheden installeres ifølge vejledningen. En ukorrekt installeret enhed kan falde ned og forårsage beskadigelse eller kvæstelser.

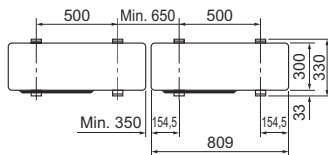
■ SW50



■ SW75-120



■ SW50



■ SW75-120

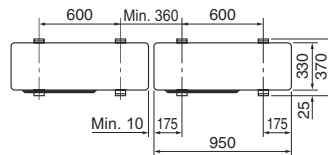


Fig. 3-1

4. Montering af kølemiddelrør

4.1. Forholdsregler for apparater der anvender R410A kølemiddel

- Se 1.4. for forholdsregler, der ikke er angivet nedenfor, vedrørende anvendelse af udendørsenhed med R410A kølemiddel.
- Brug ester-olie, ether-olie eller alkylbenzen-olie (i lille mængde) som kølemiddeldolie til at smøre på de opkravede sektioner.
- Brug C1220 kobber-fosfor legering, for sømløse rør af kobber og kobberlegering, til at samle kølemiddelrør. Brug kølemiddelrør med den tykkelse, der er angivet i skemaet nedenfor. Kontrollér at det indvendige af rørene er rene og ikke indeholder skadelige forureninger som f.eks. svovlholdige blandinger, oxidanter, affald eller støv. Anvend altid en ikke-oxiderende lodning ved lodning af rørene, ellers kan kompressoren tage skade.

⚠ Advarsel:

Ved installation, flytning eller serviceeftersyn af udendørsenheden må der kun anvendes det specificerede kølemiddel (R410A) til fyldning af kølemiddelrørene. Det må ikke blandes med nogen anden type kølemiddel, og der må ikke være luft tilbage i rørene.

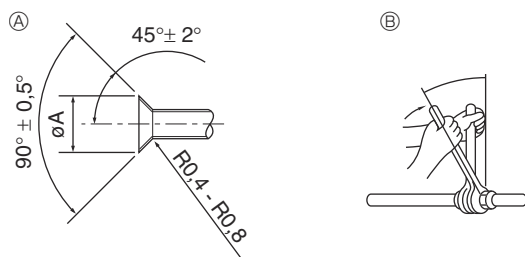
Hvis der blandes luft sammen med kølemidlet, kan det forårsage et unormalt højt tryk i kølemiddelrøret og resultere i en eksplosion og andre farlige situationer.

Hvis der bruges andre kølemidler end det, der er specificeret for systemet, forårsager det mekanisk driftssvigt eller funktionsfejl i systemet eller nedbrud af enheden. I værste fald kan det føre til en alvorlig hindring for produkt-sikkerheden.

Rørstørrelse (mm)	ø6,35	ø9,52	ø12,7	ø15,88	ø19,05	ø22,2	ø25,4	ø28,58
Tykkelse (mm)	0,8	0,8	0,8	1,0	1,0	1,0	1,0	1,0

- Anvend ikke rør med mindre tykkelse end angivet ovenfor.
- Brug 1/2 H eller H rør, hvis diameteren er 22,2 mm eller større.

4. Montering af kølemiddelrør



- Ⓐ Skæremål for kraver
Ⓑ Tilspændingsmoment for omløbermøtrik

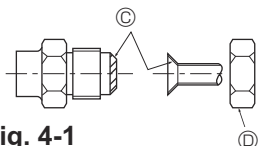


Fig. 4-1

Ⓐ (Fig. 4-1)

Kobberrør udv. dia (mm)	Kravemål ϕA -mål (mm)
$\phi 6,35$	8,7 - 9,1
$\phi 9,52$	12,8 - 13,2
$\phi 12,7$	16,2 - 16,6
$\phi 15,88$	19,3 - 19,7
$\phi 19,05$	23,6 - 24,0

Ⓑ (Fig. 4-1)

Kobberrør udv. dia (mm)	Omløbermøtrik, udv. dia (mm)	Tilspændingsmoment (N·m)
$\phi 6,35$	17	14 - 18
$\phi 6,35$	22	34 - 42
$\phi 9,52$	22	34 - 42
$\phi 12,7$	26	49 - 61
$\phi 12,7$	29	68 - 82
$\phi 15,88$	29	68 - 82
$\phi 15,88$	36	100 - 120
$\phi 19,05$	36	100 - 120

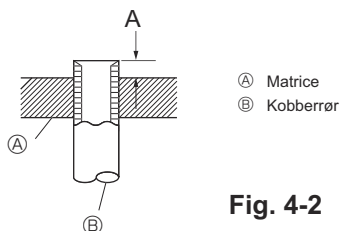


Fig. 4-2

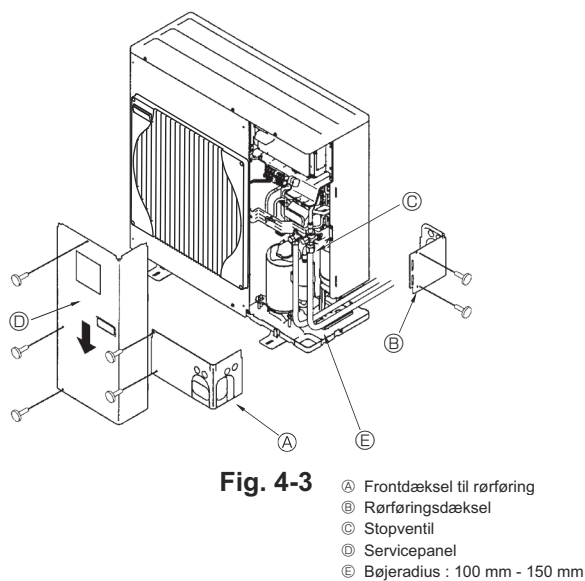


Fig. 4-3

- Ⓐ Frontdæksel til rørføring
Ⓑ Rørføringsdæksel
Ⓒ Stopventil
Ⓓ Servicepanel
Ⓔ Bøjradius : 100 mm - 150 mm

4.2. Forbindelsesrør (Fig. 4-1)

- Når der anvendes almindelige kobberrør, pakkes væske- og gasrør ind i almindeligt isoleringsmateriale (varmebestandigt indtil 100°C eller derover, tykkelse 12 mm eller derover). Direkte kontakt med blottede rør kan medføre forbrænding eller forfrysning.
- De indendørs dele af drænrøret skal pakkes ind i isoleringsmateriale af polyethylenskum (massefylde på 0,03, tykkelse på 9 mm eller derover).
- Kom et tyndt lag køleolie på rør og samlingsoverflade, før straming af brystmøtrikken. Ⓐ
- Anvend to skrueøgler til at spænde rørforbindelserne. Ⓑ
- Anvend en lækagedetektor eller sæbevand til at kontrollere for gaslækager efter færdiggørelse af forbindelser.
- Påfør kølemaskineolie på hele opkravningssædets overflade. Ⓒ
- Brug koniske møtrikker til følgende rørstørrelse. Ⓓ

		SW50	SW75	SW100, 120
Gasside	Rørstørrelse (mm)	$\phi 12,7$	$\phi 15,88$	$\phi 15,88$
Væskeside	Rørstørrelse (mm)	$\phi 6,35$	$\phi 9,52$	$\phi 9,52$

- Pas på ikke at knække rørene, når de bøjes. Bøjningsradier på 100 mm til 150 mm er passende.
- Sørg for at rørene ikke rører kompressoren. Ellers kan der opstå unormal støj eller vibrationer.
- Tilslutning af rørene skal påbegyndes fra indendørs enheden. Brystmøtrikker skal fastspændes med en momentnøgle.
- Opkrav væskerørene og gasrørene og påfør et tyndt lag kølemiddelolie (påføres på stedet).
- Når der anvendes normal rørtætning, refereres til skema 1 for opkravning af R410A kølemiddelrør. Størrelsesmåleren kan anvendes til kontrol af A-mål.

Skema 1 (Fig. 4-2)

Kobberrør udv. dia (mm)	A (mm)	
	Kravenøgle til R410A	
	Koblingstype	
$\phi 6,35$ (1/4")	0 - 0,5	
$\phi 9,52$ (3/8")	0 - 0,5	
$\phi 12,7$ (1/2")	0 - 0,5	
$\phi 15,88$ (5/8")	0 - 0,5	
$\phi 19,05$ (3/4")	0 - 0,5	

⚠ Advarsel:

Tilslut omhyggeligt rørene, før kompressoren startes, når enheden installeres.

4.3. Kølerør (Fig. 4-3)

- For SW50

Afmontér servicepanel Ⓓ (1 skrue).

- For SW75-120

Afmonter servicepanelet Ⓓ (3 skruer) og røraftdækningen foran Ⓐ (2 skruer) og røraftdækningen bagtil Ⓑ (2 skruer: SW75) (4 skruer: SW100, 120).

- Tilslut kølemiddelrørene til den indendørs/udendørs enhed, når den udendørs enheds stopventil er lukket helt.
- Evakuér luft fra indendørsenheden og rørforbindelserne.
- Når kølemiddelrørene er forbundet, skal rørene og den indvendige enhed kontrolleres for gaslækage. (Se 4.4. Metode til lufttæthedstest for kølemiddelrør.)
- Der anvendes en højtydende vakuumpumpe ved stopventilens serviceport til opretholdelse af vakuum i et tilstrækkeligt tidsrum (min. en time, efter at -101 kPa (5 Torr)) er nået for at vakuamtørre rørene indvendigt. Kontrollér altid vakuurværdien på målemanifolden. Hvis der stadig er fugt i røret, nås vakuurværdien ikke altid ved kortvarig påførsel af vakuum.

Efter vakuamtørring skal stopventilerne (for både væske og gas) på udendørsenheden åbnes. Dermed forbindes det indendørs og det udendørs kølekredsløb helt.

- Ved utilstrækkelig vakuamtørring står der luft og vanddamp tilbage i kølekredsløbene, hvilket kan forårsage en unormal stigning til højt tryk, et unormalt fald til lavt tryk, forringelse af frysemaskinens olie pga. fugt etc.
- Hvis stopventilerne forbliver lukkede og enheden sættes i drift, vil kompressoren og kontrolventilen blive beskadiget.
- Brug en lækage detektor eller sæbevand til at kontrollere for gaslækage på udendørs enhedens rørforbindelser.
- Der må ikke foretages gennemskylning af kølemiddelrørene med kølemidlet fra enheden for at fjerne luft fra rørene.
- Efter afslutning af ventilarbejdet fastspændes ventilhætterne med det korrekte moment: 20 til 25 N·m (200 til 250 kgf·cm). Hvis hætterne ikke sættes på igen og spændes, kan der opstå kølemiddellækage. Desuden må ventilhætterne ikke blive beskadiget indvendigt, da de fungerer som tætning for at forhindre kølemiddellækage.
- Brug tætningsmiddel til at tætte enderne af isoleringsmaterialet omkring rørsektionerne for at forhindre, at der kommer vand ind i isoleringsmaterialet.

4. Montering af kølemiddelrør

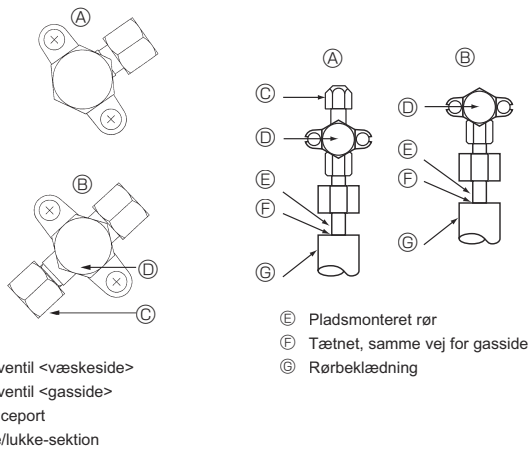
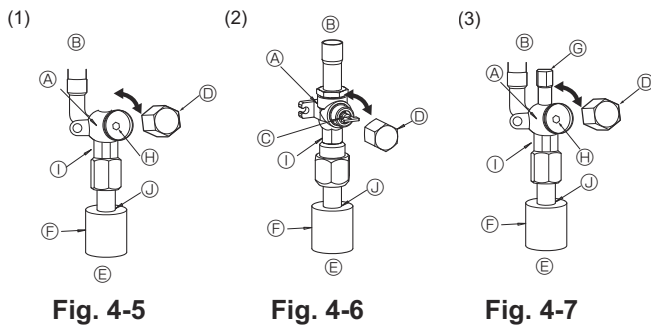


Fig. 4-4



- A Ventil
B Enhedsside
C Håndtag
D Slutmuffe
E Pladsmonteret rørside
F Slutmuffe
G Serviceport
H Hul til nøgle

- I Dobbeltnøgle
(Anvend ikke andre nøgler på dette sted. Der kan opstå kølemiddellækager.)
J Tætning
(Tætn enden af det varmeisolerende materiale ved rørforbindelsen med forhåndværende tætningsmateriale, så der ikke trænger vand ind i det varmeisolerende materiale.)

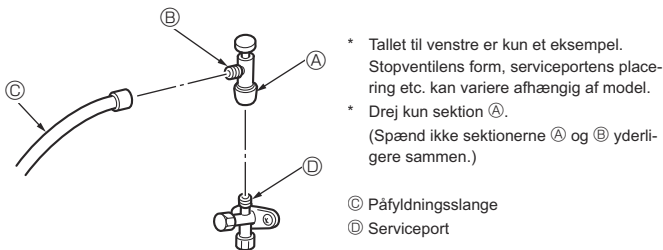


Fig. 4-8

4.4. Metode til lufttæthedstest for kølemiddelrør (Fig. 4-4)

- (1) Tilslut testværktøjet.
- Kontrollér at stopventilerne (A) (B) er lukkede og sørg for ikke at åbne dem.
 - Påfør tryk på kølemiddelrørene gennem servicepunktet (C) på væskestopventilen (A).
- (2) Påfør ikke hele det specificerede tryk på én gang, men lidt efter lidt.
- 1 Påfør tryk til 0,5 MPa (5 kgf/cm²G), vent 5 minutter, og kontrollér at trykket ikke falder.
 - 2 Påfør tryk til 1,5 MPa (15 kgf/cm²G), vent 5 minutter, og kontrollér at trykket ikke falder.
 - 3 Påfør tryk til 4,15 MPa (41,5 kgf/cm²G) og mål den omgivende temperatur og kølemiddeltrykket.
- (3) Hvis det specificerede tryk holder i ca. 1 dag og ikke falder, er der ingen lækage og rørene kan godkendes.
- Hvis den omgivende temperatur ændres med 1°C, vil trykket ændres med ca. 0,01 MPa (0,1 kgf/cm²G). Foretag de nødvendige korrektioner.
- (4) Hvis trykket falder i trin (2) eller (3), er der en gaslækage. Søg efter kilden til gaslækagen.

4.5. Stopventil, åbnemetode

Åbningsmetoden for stopventilen varierer afhængigt af udendørsenhedsmodel. Brug den relevante metode til åbning af stopventilerne.

- (1) Gasside på SW75 (Fig. 4-5)
- 1 Fjern dækslet, og drej ventilspindlen mod uret så langt som muligt vha. en 5 mm sekskantet skruenøgle. Stop med at dreje, når den når stopperen (Ø15,88: ca. 13 omgang)
 - 2 Kontrollér, at stopventilen er helt åben og drej hættten tilbage til den oprindelige position.
- (2) Gasside på SW100, 120 (Fig. 4-6)
- 1 Afmonter hættten, træk håndtaget hen imod Dem og drej en 1/4 omgang mod uret for at åbne.
 - 2 Kontrollér, at stopventilen er helt åben, skub håndtaget ind og drej hættten tilbage til den oprindelige position.
- (3) Væskeside på SW75-120 samt gas-/væskeside på SW50-75 (Fig. 4-7)
- 1 Fjern dækslet, og drej ventilspindlen mod uret så langt som muligt vha. en 4 mm sekskantet skruenøgle. Stop med at dreje, når den når stopperen (Ø9,52: ca. 10 omgang).
 - 2 Kontrollér, at stopventilen er helt åben, skub håndtaget ind og drej hættten tilbage til den oprindelige position.

Kølemiddelrør er forsynet med beskyttelsesbeklædning for SW75-120

- Rørene kan omvikles med beskyttelsesbeklædning op til en diameter på Ø90 før eller efter rørene forbindes. Skær udsparringen i rørbeklædningen ud ved at følge rillen og vikl beklædningen omkring rørene.

Rørindgangsåbning for SW75-120

- Brug kit eller tætningsmiddel til at tætn rørindgangsåbningen omkring rørene, så der ikke er nogen åben spalte.
(Hvis spalterne ikke lukkes, kan der blive udsendt støj eller der kan komme vand og støv ind i enheden, hvilket kan resultere i nedbrud.)

Forholdsregler ved brug af påfyldningsventilen (Fig. 4-8)

Spænd ikke serviceporten for kraftigt under installation. Ventilindsatsen kan blive deformeret eller blive løs og forårsage udsivning af gas.

Når sektion (B) er placeret i den ønskede retning, drejes kun sektion (A), hvorefter den spændes.

Spænd ikke sektionerne (A) og (B) yderligere sammen. efter spænding af sektion (A).

4.6. Tilsætning af kølemiddel

- Det er ikke nødvendigt med ekstra påfyldning af denne enhed, hvis rørlængden ikke overstiger 10 m.
- Hvis rørlængden er over 10 m, skal enheden påfyldes yderligere R410A-kølemiddel ud fra tallene for tilladte rørlængder i skemaet nedenfor.

* Når enheden er stoppet, påfyldes enheden med det ekstra kølemiddel gennem væskestopventilen, efter at rørførlængelserne og indendørs enheden er påført vakuum.

Når enheden er i drift, tilføres kølemiddel gennem gaskontrolventilen ved hjælp af en sikkerheds-påfyldningsenhed. Tilfør ikke kølemiddel i væskeform direkte gennem kontrolventilen.

* Efter påfyldning af enheden med kølemiddel skal den tilførte mængde kølemiddel noteres på servicemærkaten (fastgjort på enheden).

Referer til "1.4. Anvendelse af udendørsenhed med R410A kølemiddel" for yderligere information.

- Vær forsigtig ved installation af flere enheder. Hvis der forbindes til en ukorrekt indendørs enhed, kan der opstå unormalt højt tryk, hvilket kan have en kraftig negativ effekt på enhedens ydelse.

Modeller	Tilladt rørlængde	Tilladt lodret difference	Ekstra kølemidelpåfyldningsmængde					
			11 - 20 m	21 - 30 m	31 - 40 m	41 - 50 m	51 - 60 m	61 - 75 m
SW50	2 m - 40 m	-30 m	0,2 kg	0,4 kg	0,6 kg	—	—	—
SW75	2 m - 40 m	-30 m	0,15 kg	0,3 kg	0,6 kg	—	—	—
SW100, 120	2 m - 75 m	-30 m	0,2 kg	0,4 kg	1,0 kg	1,6 kg	2,2 kg	2,8 kg

5. Føring af drænrør

Udendørs enheds drænrørsforbindelser

Når føring af drænrør er nødvendigt, anvend da en drænsokkel eller drænbakke (ekstraudstyr).

	SW50	SW75	SW100, 120
Drænsokkel	PAC-SJ08DS-E	PAC-SG61DS-E	
Drænbakke	PAC-SG63DP-E	PAC-SG64DP-E	

6. Arbejde på vandledninger

Minimumvandmængde

Den følgende vandmængde er krævet i vandkredsløbet.

Model	Minimumvandmængde (L)
SW50	22
SW75	32
SW100	43
SW120	54

Sørg for at beskytte mod frost, f.eks. ved at anvende et antifrostmiddel, når enheden bruges i køletilstand ved lave rumtemperaturer (under 0° C).

7. Elektrisk arbejde

7.1. Udendørs enhed (Fig. 7-1, Fig. 7-2)

- ① Afmonter servicepanelet.
- ② Før kablerne som angivet i Fig. 7-1 og Fig. 7-2

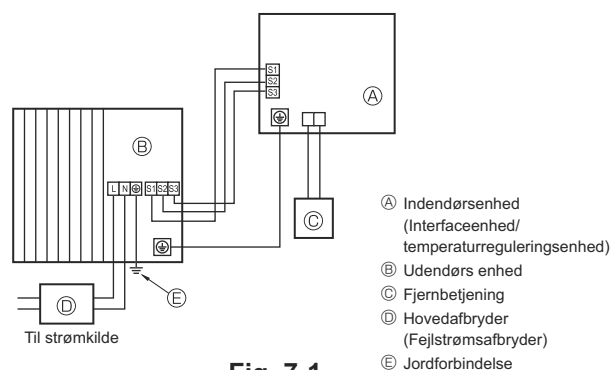
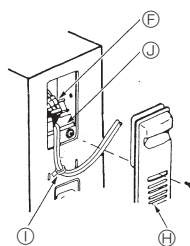
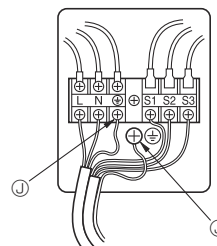


Fig. 7-1

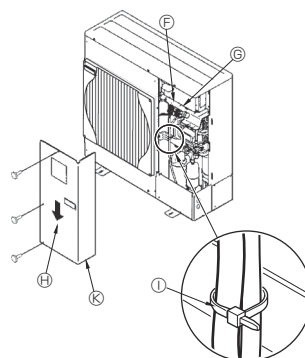
SW50



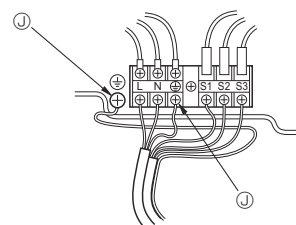
SW50



SW75-120



SW75-120V



SW100, 120Y

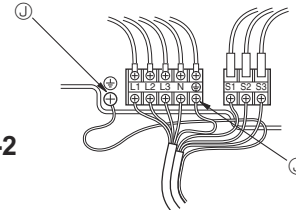


Fig. 7-2

- F Klemkasse
- G Indendørs/udendørs tilslutning til klemrække (S1, S2, S3)
- H Servicepanel
- I Klamme
- J Jordforbindelsesklamme
- * Fastgør kablerne, så de ikke kan berøre midten af servicepanelet eller gasventilen.
- K Tilslut kablerne på en sådan måde, at de ikke kommer i kontakt med servicepanelets midte.

Bemærkning:

Hvis den beskyttende plade til den elektriske boks fjernes under udførelse af eftersyn, skal du sørge for at sætte den på igen.

⚠ Forsigtig:

Sørg for at installere N-ledningen. Uden N-ledningen kan enheden blive beskadiget.

7. Elektrisk arbejde

7.2. Elektrisk ledningsføring i marken

Model, udendørs enhed	SW50V	SW75V	SW100V	SW120V	SW100, 120Y	
Udendørs enhed strømforsyning	~N (Enkelt), 50 Hz, 230 V	~N (Enkelt), 50 Hz, 230 V	~N (Enkelt), 50 Hz, 230 V	~N (Enkelt), 50 Hz, 230 V	3N- (3-faset, 4-ledninger), 50 Hz, 400 V	
Udendørsenheds indgangsstrømkapacitet Hovedkontakt (Afbryder)	*1 16 A	25 A	32 A	40 A	16 A	
Lednings- føring Ledning nr. x størrelse (mm ²)	Udendørs enhed strømforsyning	3 × Min. 1,5	3 × Min. 2,5	3 × Min. 4	3 × Min. 6	5 × Min. 1,5
	Indendørs enhed-Udendørs enhed	*2 3 × 1,5 (Polær)	3 × 1,5 (Polær)	3 × 1,5 (Polær)	3 × 1,5 (Polær)	3 × 1,5 (Polær)
	Indendørs/udendørs enhed, jordforbindelse	*2 1 × Min. 1,5	1 × Min. 1,5	1 × Min. 1,5	1 × Min. 1,5	1 × Min. 1,5
	Fjernbetjening-indendørs enhed	*3 2 × 0,3 (Ikke-polær)	2 × 0,3 (Ikke-polær)	2 × 0,3 (Ikke-polær)	2 × 0,3 (Ikke-polær)	2 × 0,3 (Ikke-polær)
Kredsløvska- pacitet	Udendørs enhed L-N (Enkelt)	*4 230 VAC	230 VAC	230 VAC	230 VAC	230 VAC
	Udendørs enhed L1-N, L2-N, L3-N (3-faset)	*4 230 VAC	230 VAC	230 VAC	230 VAC	230 VAC
	Indendørs enhed-Udendørs enhed S1-S2	*4 230 VAC	230 VAC	230 VAC	230 VAC	230 VAC
	Indendørs enhed-Udendørs enhed S2-S3	*4 24 VDC	24 VDC	24 VDC	24 VDC	24 VDC
Fjernbetjening-indendørs enhed	*4 12 VDC	12 VDC	12 VDC	12 VDC	12 VDC	

*1. Brug en jordafledningsafbryder (NV) med en kontaktadskillelse på mindst 3,0 mm på hver pol..

Sørg for, at strømlækageafbryderen er kompatibel med højere harmoni.

Brug altid en strømlækageafbryder, der er kompatibel med højere harmoni, da denne enhed er udstyret med en omformer.

Anvendelse af en utilstrækkelig afbryder kan forårsage ukorrekt funktion af vekselretteren.

*2. Maks. 45 m

Hvis der bruges 2,5 mm², maks. 50 m

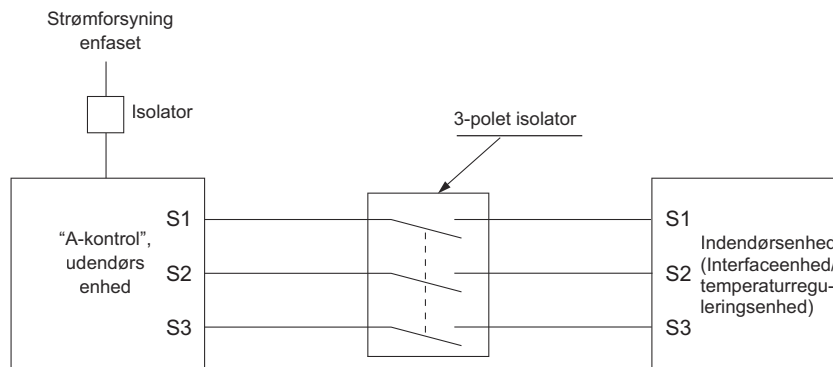
Hvis der bruges 2,5 mm² og S3 separeret, maks. 80 m

*3. Der er monteret en 10 m ledning til fjernbetjeningen.

*4. Tallene er IKKE altid i forhold til jorden.

S3-klemmen har 24 VDC i forhold til S2-klemmen. Mellem S3 og S1 er disse klemmer IKKE elektrisk isolerede af transformeren eller andre enheder.

- Bemærkninger:**
1. Ledningsdimensioner skal være i overensstemmelse med gældende lokale og nationale normer.
 2. Ledningerne mellem strømforsyningen og indendørs-/udendørsenheden må ikke være lettere end kappebeklædte, bøjelige polychloren-ledninger (60245 IEC 57).
 3. Sørg for at tilslutte kablerne mellem interfaceenheden/temperaturreguleringsenheden og udendørsenheden direkte til enhederne (det er ikke tilladt at bruge mellemtilslutninger).
Mellemtilslutninger kan medføre kommunikationsfejl. Hvis der trænger vand ind ved mellemtilslutningen, kan det medføre, at der er utilstrækkelig isolering til jord eller en ringe elektrisk forbindelse.
(Hvis en mellemtilslutning er nødvendig, skal De gøre de nødvendige tiltag for at sikre, at der ikke trænger vand ind i kablerne.)
 4. Installer et jordkabel, der er længere end andre kabler.
 5. Konstruer ikke et system, hvis strømforsyning ofte slås TIL og FRA.

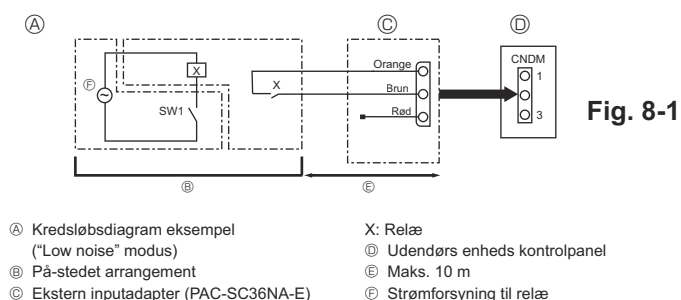


⚠ Advarsel:

- I tilfælde af A-styringsledningsføring er der et højspændingspotential på S3-terminalen forårsaget af det elektriske kredsløbs design, der ikke har elektrisk isolering mellem højspændingsledningen og kommunikationssignalledningen. Sluk derfor for hovedstrømforsyningen under servicearbejde, og rør ikke ved terminal S1, S2 og S3, når strømforsyningen er aktiveret. Hvis der skal anvendes en ledningsadskiller mellem indendørsenhed og udendørsenhed, skal det være en 3-polet ledningsadskiller.

Sammensplejs aldrig netkablet eller kablet til indendørs-udendørs-forbindelsen, da dette kan medføre røgudvikling, brand eller kommunikationsfejl.

8. Specielle funktioner



8.1. Low noise modus (ændring på stedet) (Fig. 8-1)

Ved at udføre følgende ændring kan driftsstøjen fra udendørs enheden reduceres med ca. 3-4 dB.

"Low noise" modusen vil blive aktiveret, når en kommercielt tilgængelig timer eller kontaktinputtet fra en ON/OFF kontakt tilføjes til CNDM-stikket (sælges separat) på kontrolpanelet på udendørs enheden.

- Reduktionsevnen varierer med udendørstemperaturen, vejrtilstandene osv.
- 1 Afslut kredsløbet som vist ved anvendelse af den eksterne inputadapter (PAC-SC36NA-E). (Sælges separat)
 - 2 SW7-1 (Strømforsyning til relæ): OFF
 - 3 SW1 ON: "Low noise" modus
SW1 OFF: Normal drift

8.2. Opsamling af kølemiddel (nedpumpning)

Gennemfør følgende procedurer for at opsamle kølemidlet, når indendørs eller udendørs enheden flyttes.

- 1 Tilslut strøm (hovedafbryder).
 - * Når strømmen er tilsluttet, skal det kontrolleres at "CENTRALLY CONTROLLED" ikke vises på fjernbetjeningen. Hvis "CENTRALLY CONTROLLED" vises, kan opsamlingen af kølemidlet (ned sugning) ikke udføres normalt.
 - * Opstart af indendørs-udendørs-kommunikation tager ca. 3 minutter, efter at der er tændt for strømmen (hovedafbryder). Start nedpumpningsfunktionen 3 til 4 minutter efter, at der er tændt for strømmen (hovedafbryder).
 - * I forbindelse med betjening af flere enheder skal du frakoble ledningerne mellem master-indendørsenheden og slave-indendørsenheden, inden du tænder dem. For yderligere oplysninger henvises der til installationsvejledningen til indendørsenheden.
- 2 Efter at væskestopventilen er lukket, sættes SWP-kontakten på kontrolpanelet på udendørs enheden til ON. Kompressoren (udendørs enhed) og ventilatorerne (indendørs og udendørs enhed) starter og opsamlingen af kølemidlet begynder. LED1 og LED2 på kontrolpanelet på udendørs enheden er tændt.
 - * Sæt kun SWP-kontakten (trykknop-type) til ON, hvis enheden er stoppet. Imidlertid kan kølemiddel opsamlingen ikke gennemføres, selvom enheden er stoppet og SWP-kontakten sættes til ON mindre end 3 minutter efter at kompressoren stopper. Vent til kompressoren har været stoppet i 3 minutter og sæt derefter SWP-kontakten til ON igen.

- 3 Luk gasstopventilen hurtigt, da enheden automatisk stopper efter ca. 2 til 3 minutter, når kølemiddelopsamlingen er gennemført (LED1 slukket, LED2 lyser). Hvis LED1 lyser, LED2 er slukket, og den udendørs enhed er stoppet, er kølemiddelopsamlingen ikke udført korrekt. Åbn væskestopventilen helt, og gentag trin 2 efter 3 minutter.

- * Hvis opsamlingen af kølemiddel er gennemført normalt (LED1 slukket, LED2 lyser), forbliver enheden stoppet, til der slukkes for strømforsyningen.

- 4 Afbryd strømmen (hovedafbryder).

- * Bemærk, at en nedpumpning muligvis ikke kan udføres, hvis forlængerrøret er meget langt og indeholder en stor mængde kølemiddel. Ved udførelse af en udpumpningsdrift skal det kontrolleres, at det lave tryk er sænket til tæt ved 0 MPa (måler).

⚠ Advarsel:

Ved nedpumpning af kølemiddel skal kompressoren stoppes, før kølerørene afmonteres. Kompressoren kan revne, hvis der kommer luft eller lignende ind i den.

9. Systemkontrol

Angiv kølemiddeladressen ved at bruge kontakten på udendørsenheden.

SW1 Funktionsindstilling

SW1 Indstilling	Kølemiddel-adresse	SW1 Indstilling	Kølemiddel-adresse
ON OFF 3 4 5 6 7	00	ON OFF 3 4 5 6 7	03
ON OFF 3 4 5 6 7	01	ON OFF 3 4 5 6 7	04
ON OFF 3 4 5 6 7	02	ON OFF 3 4 5 6 7	05

Bemærk:

a) Der kan tilkobles op til 6 enheder.

b) Vælg én enkelt model til alle enheder.

c) Når det gælder indstillingen for kontakten til indendørsenheden, skal du se i instruktionsmanualen til indendørsenheden.

10. Specifikationer

Udendørs model	PUHZ-SW50VKA	PUHZ-SW75VHA	PUHZ-SW100VHA	PUHZ-SW120VHA	PUHZ-SW100YHA	PUHZ-SW120YHA
Strømforsyning	V / Fase / Hz	230 / Enkelt / 50			400 / Tre / 50	
Dimensioner (H × B × D)	mm	809 × 630 × 360	950 × 943 × 330(+30)	950 × 1350 × 330(+30)		
Lydtryk *1						
SPL	Opvarmning	dB(A)	46	51	54	54
	Afkøling	dB(A)	46	48	50	51
PWL	Opvarmning	dB(A)	63	69	70	72
	Afkøling	dB(A)				

*1 Målt ved normeret driftsfrekvens.

Innehåll

1. Säkerhetsåtgärder.....	83	6. Vattenrör.....	89
2. Placering.....	84	7. Elektriska arbeten.....	89
3. Installation av utomhusenhet.....	86	8. Specialfunktioner.....	91
4. Installera kylmedelsrör.....	86	9. Systemkontroll.....	91
5. Dräneringsrör.....	89	10. Specifikationer.....	91



Obs: Den här symbolen gäller enbart EU-länder.

Symbolen är i enlighet med direktiv 2012/19/EU, artikel 14, Information för användare och bilaga IX.

Denna produkt från MITSUBISHI ELECTRIC är designad och tillverkad av material och komponenter med hög kvalitet som kan återvinnas och återanvändas.

Denna symbol betyder att elektriska och elektroniska produkter, efter slutanvändande, skall sorteras och hanteras separat från Ditt hushållsavfall.

Var snäll och lämna denna produkt hos Din lokala mottagningsstation för avfall och återvinning.

Inom den Europeiska Unionen finns det separata insamlingsystem för begagnade elektriska och elektroniska produkter.

Var snäll och hjälp oss att bevara miljön vi lever i!

⚠ Försiktighet:

• Släpp inte ut R410A i atmosfären:

• R410A är en fluorinerad växthusgas som klassificeras som bidragande till global uppvärmning i Kyotoprotokollet (GWP)=1975.

1. Säkerhetsåtgärder

- ▶ Innan du installerar enheten bör du läsa igenom samtliga "Säkerhetsåtgärder".
- ▶ Se till att elsystemets ansvarige underrättas och ger sitt godkännande innan systemet kopplas in.

⚠ Varning:

Anger försiktighetsmått som bör vidtas för att förhindra att användaren utsätts för fara eller risk.

⚠ Försiktighet:

Beskriver säkerhetsåtgärder som bör följas för att undvika att enheten skadas.

⚠ Varning:

- Enheten får inte installeras av användaren. Be en återförsäljare eller behörig tekniker installera enheten. Felaktig installation av enheten kan orsaka vattenläckage, elektriska stötar eller brand.
- Vid installationen, följ anvisningarna i installationsanvisningen och använd verktyg och rörkomponenter som är gjorda för att användas med köldmedlet R410A. Köldmedlet R410A i HFC-systemet är trycksatt till 1,6 gånger trycket hos vanliga köldmedel. Om man använder rörkomponenter som inte är konstruerade för köldmedlet R410A och enheterna inte installerats på rätt sätt, kan rören spricka och orsaka person- och maskinskador. Dessutom kan detta orsaka vattenläckage, elektriska stötar eller brand.
- Enheten ska installeras enligt anvisningarna för att risken för skador från jordbävningar, tyfoner och kraftig vind ska minimeras. En felaktigt installerad enhet kan falla ned och orsaka person- och maskinskador.
- Enheten måste fästas säkert på en konstruktion som kan bära dess vikt. Om enheten monteras på en instabil konstruktion, kan den falla ned och orsaka person- och maskinskador.
- Om utomhusenhet installeras i ett litet rum, måste man vidta åtgärder för att förhindra att köldmedelskoncentrationen i rummet överskrider säkerhetsgränsen i händelse av ett läckage. Rådfråga en återförsäljare om vilka åtgärder som måste vidtas för att förhindra att den tillåtna koncentrationen överskrids. Om köldmedlet läcker ut och gör att koncentrationen överskrider gränsen, kan risker uppstå på grund av syrebrist i rummet.
- Vädra rummet om köldmedel läcker ur vid drift. Om köldmedel kommer i kontakt med öppen låga kan giftiga gaser utvecklas.
- Alla elarbeten måste utföras av behörig tekniker enligt lokala föreskrifter och anvisningarna i denna manual. Enheterna måste matas via därför avsedda elledning. Rätt spänning och överspänningsskydd måste användas. För klena elledningar eller felaktiga elinstallationer kan orsaka elektriska stötar eller brand.
- Använd C1220 koppar/fosfor till skarvfria rör av koppar eller kopparlegering för anslutning av kylmedelsrören. Om rören inte ansluts på rätt sätt, blir enheten inte ordentligt jordad och detta kan orsaka elektriska stötar.

När installationen är klar, förklara "Säkerhetsåtgärder" för enheten, hur den används och underhålls för kunden enligt informationen i bruksanvisningen och utför provkörningen för att kontrollera att den fungerar som den ska. Användaren ska behålla både installationsanvisningen och bruksanvisningen. Dessa manualer ska lämnas över till kommande användare.

⚡ : Indikerar en del som måste jordas.

⚠ Varning:

Läs noga texten på alla dekalerna på huvudenheten.

- Använd endast angivna kablar för anslutningar. Anslutningarna måste göras på ett säkert sätt utan spänningar i terminalanslutningarna. Kablarna får aldrig skarvas (om inget annat anges i detta dokument). Om instruktionerna inte följs kan det leda till överhettning eller brand.
- Skyddet för kopplingsplinten på utomhusenheten måste fästas ordentligt. Om skyddet monteras på fel sätt och om damm och fukt tränger in i enheten, kan detta orsaka elektriska stötar eller brand.
- När du installerar, flyttar eller utför service på utomhusenhet får endast det angivna kylmedlet (R410A) användas för att ladda kylmedelsrören. Blanda inte med andra kylmedel och låt inte luft vara kvar i rören. Om luft blandas med kylmedel kan det orsaka onormalt högt tryck i kylmedelsrören, vilket kan leda till explosion och andra faror. Användning av annat kylmedel än det som specificeras för systemet orsakar mekaniska fel, systemfel eller haveri. I värsta fall kan det leda till en allvarlig brist som hotar produktens säkerhet.
- Använd endast tillbehör som är godkända av Mitsubishi Electric och be en återförsäljare eller behörig tekniker installera dem. Felaktig installation av tillbehör kan orsaka vattenläckage, elektriska stötar eller brand.
- Förändra inte enheten. Kontakta en återförsäljare för reparationer. Felaktiga ändringar och reparationer av enheten kan orsaka vattenläckage, elektriska stötar eller brand.
- Användaren ska aldrig försöka reparera eller flytta enheten själv. Felaktig installation av enheten kan orsaka vattenläckage, elektriska stötar eller brand. Om utomhusenhet måste repareras eller flyttas, be en återförsäljare eller behörig tekniker.
- När installationen är klar, kontrollera att det inte läcker ut köldmedel. Om det läcker ut köldmedel i rummet och det kommer i kontakt med lågan i en värmare eller campingkök, utvecklas giftiga gaser.

1.1. Före installationen

⚠ Försiktighet:

- Använd inte enheten på ovanliga ställen. Om utomhusenhet installeras i ett område som utsätts för ånga, flyktiga oljor (inklusive maskinolja) eller svavelhaltiga gaser, eller i områden med hög saltkoncentration som i kustområden, eller områden där enheten kommer att täckas av snö, kan dess prestanda försämrats avsevärt och dess inre delar kan skadas.
- Installera inte enheten där brännbara gaser kan läcka ut, skapas, strömma ut eller ansamlas. Om brännbara gaser ansamlas runt enheten kan det orsaka brand eller explosion.

- Utomhusenheten skapar kondens vid värmning. Se till att det finns dränering runt utomhusenheten om det finns risk för att sådan kondens orsakar skador.
- Vid installation av enheten i ett sjukhus eller där det finns datakommunikation, var beredd på störande ljud och elektriska störningar. Växelriktare, hushållsapparater, högfrekvent, medicinsk utrustning och utrustning för radiokommunikation kan göra att utomhusenhet inte fungerar eller skadas. Utomhusenheten kan även påverka medicinsk utrustning, vilken kan störa värden, och kommunikationsutrustning, vilket kan störa bildkvaliteten.

1. Säkerhetsåtgärder

1.2. Före installationen (flyttning)

⚠ Försiktighet:

- Var mycket försiktig när du transporterar eller installerar enheter. Det krävs två eller flera personer för att hantera enheten, eftersom den väger 20 kg eller mer. Lyft inte i packbanden. Använd skyddshandskar för att ta ut enheten från emballaget och flytta den, då du kan skada dina händer på fenor eller kanterna på andra delar.
- Gör dig av med förpackningsmaterialet på ett säkert sätt. Förpackningsmaterial, som spikar och andra delar av metall eller trä, kan orsaka sticksår och andra skador.

1.3. Före elarbeten

⚠ Försiktighet:

- Montera överspänningsskydd. Om sådana inte monteras, kan det orsaka elektriska stötar.
- Använd tillräckligt grova standardkablar för elledningarna. Annars kan det orsaka kortslutning, överhettning eller brand.
- Vid installation av elledningarna, belasta inte kablarna. Om anslutningarna lossas kan kablarna gå av och det kan orsaka överhettning eller brand.

1.4. Använda utomhusenheter med köldmedlet R410A

⚠ Försiktighet:

- Använd C1220 koppar/fosfor till skarvfria rör av koppar eller kopparlegering för anslutning av kylmedelsrören. Kontrollera att rörens insidor är rena och inte innehåller skadliga föroreningar som svavelhaltiga föreningar, oxider, skräp eller damm. Använd rör med angiven tjocklek. (se 4.1.) Observera följande om du återanvänder befintliga rör som innehållit köldmedlet R22.
 - Byt befintliga flänsmuttrar och flänsa ut flänsarna igen.
 - Använd inte tunna rör. (Se 4.1.)
- Lagra de rör som ska användas vid installationen inomhus och håll båda ändarna av rören förseglade tills strax innan du ska löda dem. (Låt knäror osv ligga kvar i förpackningen.) Om damm, skräp eller fukt kommer in i köldmedelsrören, kan detta orsaka försämring av oljan eller kompressorhaveri.
- Använd olja med ester, eter, alkylbensen (liten mängd) som den köldmedelsolja som används på flänsarna. Om mineralolja blandas med köldmedelsoljan kan detta orsaka försämring av oljan.

- Utomhusenhetens fundament och fästen ska kontrolleras regelbundet så att de inte är lösa, har sprickor eller andra skador. Om sådana felaktigheter inte korrigeras, kan enheten falla ned och orsaka person- eller maskinskador.
- Rengör inte utomhusenhet med vatten. Det kan orsaka elektriska stötar.
- Dra åt alla flänsmuttrar med en momentnyckel enligt specifikationen. Om de dras åt för hårt, kan flänsmuttrarna gå sönder efter en tid och köldmedel kan läcka ut.

- Jorda enheten. Anslut inte jordledningen till gas- eller vattenledningar, åskledare eller telefonens jordledning. Felaktig jordning av enheten kan orsaka elektriska stötar.
- Använd överspänningsskydd (jordfelsbrytare, fränkskiljare (+B-säkring) och helgjutna överspänningsskydd) med angiven kapacitet. Om kapaciteten för överspänningsskyddet är större än angiven kapacitet, kan detta orsaka haveri eller brand.

- Använd inget annat köldmedel än R410A. Om något annat köldmedel används, gör kloreit att oljan försämras.
- Använd följande verktyg, som är specialkonstruerade för att användas med köldmedlet R410A. Det är nödvändigt att använda följande verktyg med köldmedlet R410A. Kontakta närmaste återförsäljare om du har några frågor.

Verktyg (till R410A)	
Mätklocka	Flänsverktyg
Påfyllningsslang	Instrument för storleksinställning
Gasläckagedetektor	Vakuumpumpadapter
Momentnyckel	Elektronisk väg för köldmedelspåfyllning

- Använd rätt verktyg. Om damm, skräp eller fukt kommer in i köldmedelsrören, kan detta orsaka försämring av köldmedelsoljan.
- Använd inte en påfyllningscylinder. Om en påfyllningscylinder används, ändras köldmedlets sammansättning och dess effektivitet minskar.

2. Placering

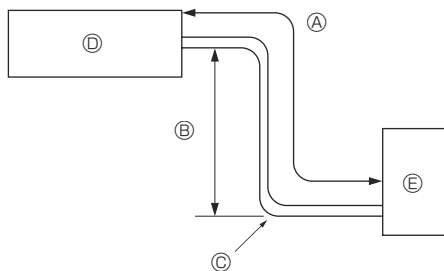


Fig. 2-1

2.1. Kylmedelsrör (Fig. 2-1)

- Kontrollera att höjdskillnaden mellan inomhus- och utomhusenheterna, längden på kylmedelsrören och antalet krökar på rören är inom de gränser som visas nedan.

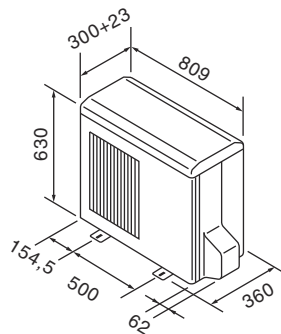
Modell	Ⓐ Rörlängd (en riktning)	Ⓑ Höjdskillnad	Ⓒ Antal krökar (en riktning)
SW50	2 m - 40 m	Max. 30 m	Max. 15
SW75	2 m - 40 m	Max. 30 m	Max. 15
SW100, 120	2 m - 75 m	Max. 30 m	Max. 15

- Gränserna för höjdskillnaderna är definierade oavsett vilken enhet, inomhus- eller utomhusenhet, som är positionerad högst.

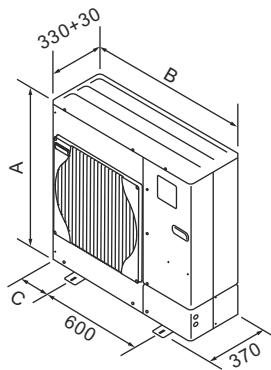
- Ⓓ Inomhusenhet
- Ⓔ Utomhusenhet

2. Placering

■ SW50



■ SW75, 100, 120



Modell	A (mm)	B (mm)	C (mm)
SW75	943	950	175
SW100	1350	950	175
SW120	1350	950	175

Fig. 2-2

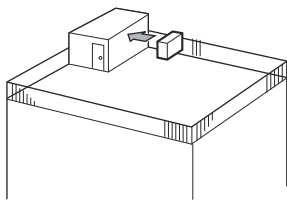


Fig. 2-3

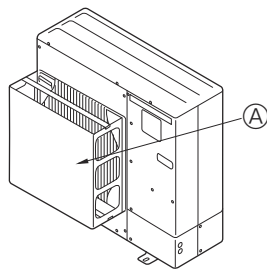


Fig. 2-4

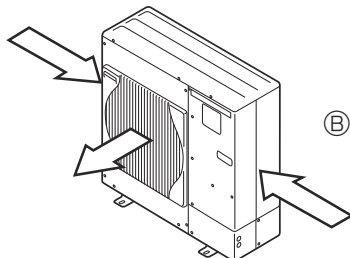


Fig. 2-5

(mm)

2.2. Välja plats för utomhusenheten

- Undvik platser som utsätts för direkt solljus eller andra värmekällor.
- Välj en plats där det ljud som enheten avger inte stör grannarna.
- Välj en plats där det är enkelt att koppla in elledningar och att komma åt rören, spänningskällan och inomhusenheten.
- Undvik platser där brännbara gaser kan läcka ut, skapas, strömma ut eller ansamlas.
- Observera att vatten kan droppa från enheten under drift.
- Välj en vägrät plats som kan bära upp enhetens vikt och klara dess vibrationer.
- Undvik platser där enheten kan täckas av snö. I områden där man kan förvänta sig kraftiga snöfall, måste speciella åtgärder som att höja upp installationen eller installera en huv på luftintaget vidtas, för att förhindra att snön blockerar luftintaget eller blåser in direkt i det. Det kan minska luftflödet, vilket kan orsaka fel.
- Undvik platser som utsätts för olja, ånga eller svavelhaltiga gaser.
- Använd transporthandtagen på utomhusenheten för att transportera enheten. Om man bär enheten undertill, kan händer och fingrar klämmas.

2.3. Yttre dimensioner (Utomhusenhet) (Fig. 2-2)

2.4. Ventilation och utrymme för underhåll

2.4.1. Installation på blåsig platser

Vid installation av utomhusenheten på tak eller andra platser som är utsatta för vinden, placera enhetens utblås så att det inte utsätts direkt för kraftig vind. Kraftig vind som kommer in i luftutblåset kan försämra det normala luftflödet, vilket kan orsaka fel. Nedan följer tre exempel på åtgärder mot kraftig vind.

- ① Rikta luftutblåset mot närmaste vägg, cirka 50 cm från väggen. (Fig. 2-3)
- ② Montera en extra luftledare om enheten installeras på en plats där kraftig vind från tyfoner osv kan komma direkt in i luftutblåset. (Fig. 2-4)
 - Ⓐ Luftledare
- ③ Placera om det går enheten så att luftutblåset blåser vinkelrätt mot den säsongsbetingade vindriktningen. (Fig. 2-5)
 - Ⓑ Vindriktning

2.4.2. Vid installation av en enstaka utomhusenhet (Se sista sidan)

De minsta måtten är följande, utom där max. anges vilket står för maximala mått. Siffrorna inom parentes gäller modellerna SW100, 120. Hänvisa till siffrorna i enskilda fall.

- ① Enbart hinder på baksidan (Fig. 2-6)
- ② Enbart hinder på baksidan och ovsidan (Fig. 2-7)
 - Använd inte de extra styrningarna för luftutblåsen för luftflöden uppåt.
- ③ Enbart hinder på baksidan och sidorna (Fig. 2-8)
 - * 350 för SW50
- ④ Enbart hinder på framsidan (Fig. 2-9)
 - * Vid användning av en extra styrning för luftutblåset är avståndet för modellerna SW100, 120, 500 mm eller mer.
- ⑤ Enbart hinder på framsidan och baksidan (Fig. 2-10)
 - * Vid användning av en extra styrning för luftutblåset är avståndet för modellerna SW100, 120, 500 mm eller mer.
- ⑥ Enbart hinder på baksidan, sidorna och ovsidan (Fig. 2-11)
 - * 350 för SW50
 - Använd inte de extra styrningarna för luftutblåsen för luftflöden uppåt.

2.4.3. Vid installation av flera utomhusenheter (Se sista sidan)

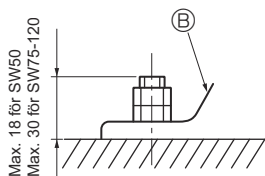
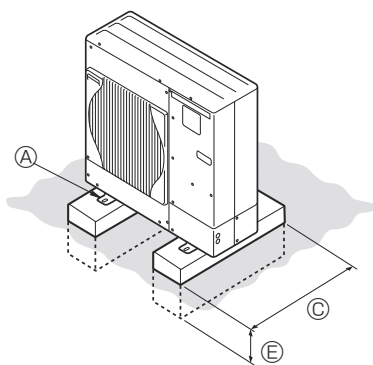
Lämna 350 mm för SW50 och 10 mm för SW75-120 eller mer fritt utrymme mellan enheterna.

Siffrorna inom parentes gäller modellerna SW100, 120.

Hänvisa till siffrorna i enskilda fall.

- ① Enbart hinder på baksidan (Fig. 2-12)
- ② Enbart hinder på baksidan och ovsidan (Fig. 2-13)
 - Installera inte fler än tre enheter bredvid varandra. Lämna dessutom avstånd mellan dem enligt bilden.
 - Använd inte de extra styrningarna för luftutblåsen för luftflöden uppåt.
- ③ Enbart hinder på framsidan (Fig. 2-14)
 - * Vid användning av en extra styrning för luftutblåset är avståndet för modellerna SW100, 120, 1000 mm eller mer.
- ④ Enbart hinder på framsidan och baksidan (Fig. 2-15)
 - * Vid användning av en extra styrning för luftutblåset är avståndet för modellerna SW100, 120, 1000 mm eller mer.
- ⑤ Uppställning med en enstaka parallell enhet (Fig. 2-16)
 - * När en extra styrning för luftutblåset för luftflöden uppåt används, är avståndet 500 (1000) mm eller mer.
- ⑥ Uppställning med flera parallella enheter (Fig. 2-17)
 - * När en extra styrning för luftutblåset för luftflöden uppåt används, är avståndet 1000 (1500) mm eller mer.
- ⑦ Uppställning med staplade enheter (Fig. 2-18)
 - Enheterna kan staplas upp till två på höjden.
 - Installera inte fler än två staplade enheter bredvid varandra. Lämna dessutom avstånd mellan dem enligt bilden.

3. Installation av utomhusenhet



- Ⓐ M10 (3/8") bult
- Ⓑ Fundament
- Ⓒ Så långt som möjligt.
- Ⓓ Lufthål
- Ⓔ Placera djup ner i marken

(mm)

- Se till att enheten monteras på ett stabilt och jämnt underlag för att förhindra skallrande ljud under pågående drift. (Fig. 3-1)

<Specifikationer för fundament>

Fundamentbult	M10 (3/8")
Betongtjocklek	120 mm
Bultlängd	70 mm
Viktberärande kapacitet	320 kg

- Se till att fundamentbultens längd ligger inom 30 mm av fundamentets bottenyta.
- Säkra enhetens fundament så det sitter säkert med fyra M10 fundamentbultar på stadiga platser.

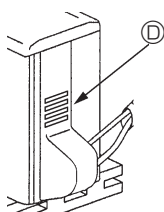
Installera utomhusenheten

- Blockera inte lufthålet. Om lufthålet blockeras, hindras driften och detta kan orsaka haveri.
- Förutom enhetens fundament kan man vid behov använda monteringshålen på enhetens baksida för att fästa ledningar osv. Använd självgående skruvar (ø5 × 15 mm eller mindre) och montera den på platsen.

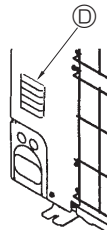
⚠ Varning:

- **Enheten måste fästas säkert på en konstruktion som kan bära dess vikt. Om enheten monteras på en instabil konstruktion, kan den falla ned och orsaka person- och maskinskador.**
- **Enheten ska installeras enligt anvisningarna för att risken för skador från jordbävningar, tyfoner och kraftig vind ska minimeras. En felaktigt installerad enhet kan falla ned och orsaka person- och maskinskador.**

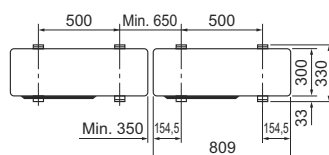
■ SW50



■ SW75-120



■ SW50



■ SW75-120

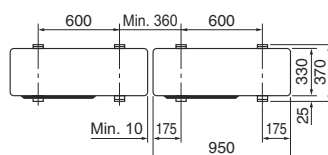


Fig. 3-1

4. Installera kylmedelsrör

4.1. Försiktighetsåtgärder för enheter som använder köldmedlet R410A

- Se 1.4. för försiktighetsåtgärder som inte finns med nedan om hur man använder utomhusenheter med köldmedlet R410A.
- Använd olja med ester, eter, alkylbensen (liten mängd) som den köldmedelsolja som används på flänsarna.
- Använd C1220 koppar/fosfor till skarvfria rör av koppar eller kopparlegering för anslutning av kylmedelsrören. Använd köldmedelsrör med den tjocklek som anges i tabellen nedan. Kontrollera att rörens insidor är rena och inte innehåller skadliga föroreningar som svavelhaltiga föreningar, oxider, skräp eller damm. Använd alltid icke-oxiderande hårdlödning när rören hårdlöds, annars kan kompressorn skadas.

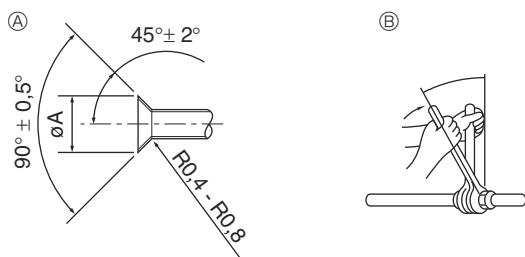
⚠ Varning:

När du installerar, flyttar eller utför service på utomhusenheter får endast det angivna kylmedlet (R410A) användas för att ladda kylmedelsrören. Blanda inte med andra kylmedel och låt inte luft vara kvar i rören. Om luft blandas med kylmedel kan det orsaka onormalt högt tryck i kylmedelsrören, vilket kan leda till explosion och andra faror. Användning av annat kylmedel än det som specificeras för systemet orsakar mekaniska fel, systemfel eller haveri. I värsta fall kan det leda till en allvarlig brist som hotar produktens säkerhet.

Rörstorlek (mm)	ø6,35	ø9,52	ø12,7	ø15,88	ø19,05	ø22,2	ø25,4	ø28,58
Tjocklek (mm)	0,8	0,8	0,8	1,0	1,0	1,0	1,0	1,0

- Använd inte tunnare rör än dem som anges ovan.
- Använd 1/2 H- eller H-rör om diametern är 22,2 mm eller större.

4. Installera kylmedelsrör



- Ⓐ Mått för flänsning
Ⓑ Åtdragningsmoment för flänsmutter

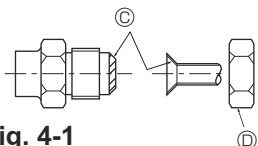


Fig. 4-1

Ⓐ (Fig. 4-1)

Kopparrör Y.D. (mm)	Åflänsmått ϕA mått (mm)
$\phi 6,35$	8,7 - 9,1
$\phi 9,52$	12,8 - 13,2
$\phi 12,7$	16,2 - 16,6
$\phi 15,88$	19,3 - 19,7
$\phi 19,05$	23,6 - 24,0

Ⓑ (Fig. 4-1)

Kopparrör Y.D. (mm)	Flänsmutter Y.D. (mm)	Åtdragningsmoment (N·m)
$\phi 6,35$	17	14 - 18
$\phi 6,35$	22	34 - 42
$\phi 9,52$	22	34 - 42
$\phi 12,7$	26	49 - 61
$\phi 12,7$	29	68 - 82
$\phi 15,88$	29	68 - 82
$\phi 15,88$	36	100 - 120
$\phi 19,05$	36	100 - 120

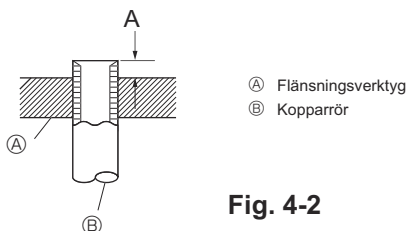


Fig. 4-2

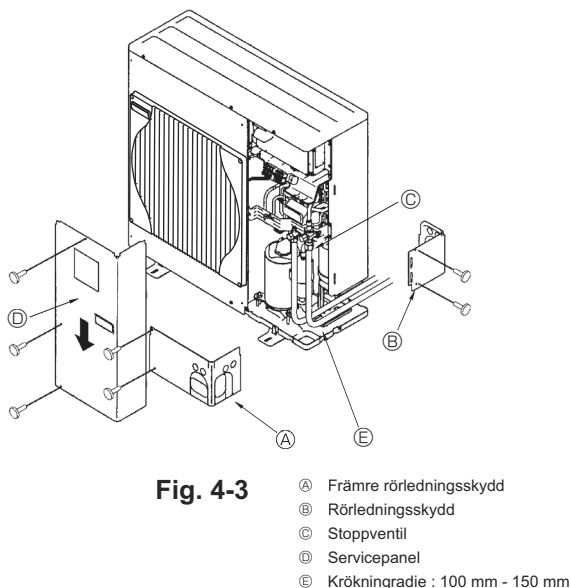


Fig. 4-3

- Ⓐ Främre rörledningsskydd
Ⓑ Rörledningskydd
Ⓒ Stoppventil
Ⓓ Servicepanel
Ⓔ Krökningradie : 100 mm - 150 mm

4.2. Anslutningsrör (Fig. 4-1)

- Om kommersiellt tillgängliga kopparrör används bör vätske- och gasrör lindas med kommersiellt tillgängligt isoleringsmaterial (värmebeständig upp till 100°C eller mer, tjocklek 12 mm eller mer). Direktkontakt med bara rör kan leda till brännskador eller köldskador.
- Inomhusdelarna på dräneringsröret bör lindas med isoleringsmaterial av polyetylen-skum (specifik vikt 0,03, tjocklek 9 mm eller mer).
- Stryk på ett tunt lager av frysmaskinolja på röret och fogens tätningssyta innan den flänsade muttern dras åt. Ⓐ
- Använd två skruvnycklar för att dra åt röranslutningarna. Ⓑ
- När röranslutningarna avslutats, använd en läckedetektor eller en tvålvattenslösning för att kontrollera efter gasläckor.
- Sätt på köldmedelsolja på flänsens hela yta. Ⓒ
- Använd flänsmuttrar för följande rörstorlek. Ⓓ

	SW50	SW75	SW100, 120
Gassida Rörstorlek (mm)	$\phi 12,7$	$\phi 15,88$	$\phi 15,88$
Vätskesida Rörstorlek (mm)	$\phi 6,35$	$\phi 9,52$	$\phi 9,52$

- När du böjer rören, se till att de inte går av. En böjningsradie på 100 mm till 150 mm räcker.
- Kontrollera att rören inte kommer i kontakt med kompressorn. Det kan orsaka onormalt ljud eller vibrationer.

- Rören ska anslutas med början från inomhusenheten. Flänsmuttrar ska alltid dras åt med momentnycklar.
- Flänsa rören för vätska och gasrören och sätt på ett tunt lager köldmedelsolja (på plats).
- När vanlig rörtätning används, se tabell 1 för flänsning av köldmedelsrör för R410A. Instrumentet för storleksinställning kan användas för kontroll av måtten A.

Tabell 1 (Fig. 4-2)

Kopparrör Y.D. (mm)	A (mm)	
	Flänsningsverktyg för R410A	
	Kopplingstyp	
$\phi 6,35$ (1/4")	0 - 0,5	
$\phi 9,52$ (3/8")	0 - 0,5	
$\phi 12,7$ (1/2")	0 - 0,5	
$\phi 15,88$ (5/8")	0 - 0,5	
$\phi 19,05$ (3/4")	0 - 0,5	

⚠ Varning:

Vid installation av enheten ska kylvätskerören anslutas ordentligt innan kompressorn startas.

4.3. Kylmedelsrör (Fig. 4-3)

- För SW50
Ta bort servicepanelen Ⓓ (1 skruv).
- För SW75-120
Ta bort servicepanelen Ⓓ (3 skruvar), det främre rörledningskyddet Ⓐ (2 skruvar) och det bakre rörledningskyddet Ⓑ (2 skruvar: SW75) (4 skruvar: SW100, 120).
- Utför anslutning av kylmedelsrör för inomhus- och utomhusenheterna medan utomhusenhetens stoppventil är helt stängd.
- Avlufta inomhusenheten och anslutningen av rörledningarna.
- När köldmedelsrören anslutits, kontrollera om de anslutna rören och inomhusenheten läcker gas. (Se sidan 4.4. Provmotod för att kontrollera om köldmedelsrören är lufttäta.)
- En högpresterande vakuumpump används vid stoppventilens serviceport för att bibehålla vakuum under lämplig tid (minst en timme efter att -101 kPa (5 Torr)) uppnåtts, för att vakuamtorka insidan av rörledningarna. Kontrollera alltid vakuumnivån vid vakuumanlutningen. Om fukt kvarstår i rörledningen kan vakuumnivån inte alltid uppnås med hjälp av vakuummappicering under kort tid. Efter vakuamtorkningen ska utomhusenhetens stoppventiler (för både vätska och gas) öppnas helt. Detta kopplar ihop köldmedelskretsarna på inomhus- och utomhusenheterna helt.
- Om vakuamtorkningen är otillräcklig finns det luft och vattenånga kvar i köldmedelskretsarna, vilket kan leda till onormalt högt tryck, onormalt lågt tryck, försämrad frysmaskinolja på grund av fukt, etc.
- Om stoppventilerna lämnas öppna och enheten körs, skadas kompressorn och reglerventilerna.
- Använd en läckagedetektor eller såpvatten för att leta efter gasläckor vid röranslutningarna på utomhusenheten.
- Använd inte köldmedlet från enheten för att avlufta köldmedelsledningarna.
- När du är klar med ventilererna, dra åt ventilhylsorna till rätt moment: 20 till 25 N·m (200 till 250 kgf·cm). Om hylsorna inte sätts tillbaka och dras åt kan detta orsaka köldmedelsläckage. Se dessutom till att inte skada ventilhylsornas insidor eftersom de fungerar som tätning för att förhindra köldmedelsläckage.
- Använd tätningssmedel för att tätta ändarna på värmeisoleringen runt röranslutningarna för att förhindra att vatten kommer in i värmeisoleringen.

4. Installera kylmedelsrör

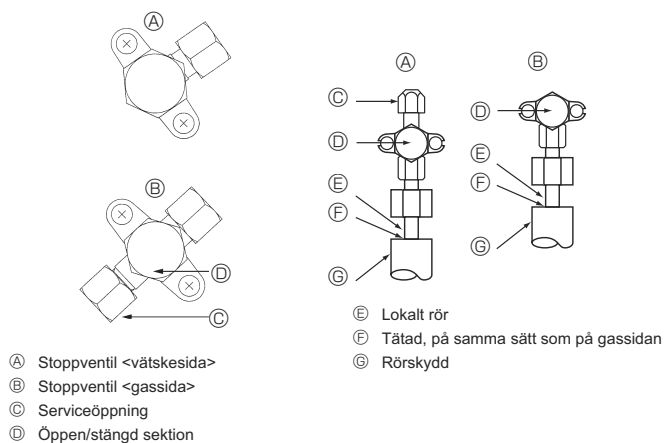


Fig. 4-4

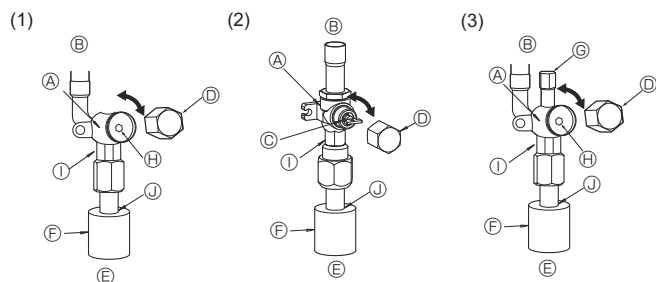


Fig. 4-5

Fig. 4-6

Fig. 4-7

- A Ventil
 B Enhetens sida
 C Handtag
 D Käpa
 E Sida för lokalt rör
 F Rörskydd
 G Serviceöppning
 H Skruvnyckelhål

- I Skruvnyckeldel
 (Skruvnycklar får endast användas på denna del. Annan användning kan leda till köldmedelsläckor.)
 J Tätningssdel (Täta änden på värmeisoleringen vid röranslutningen med tillgängligt tätningssmedel, för att förhindra att vatten kommer in i värmeisoleringen.)

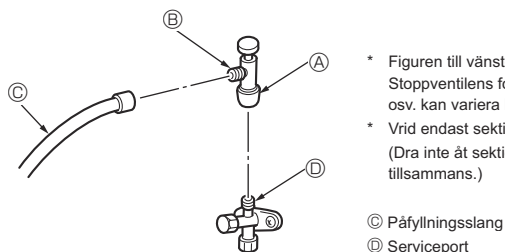


Fig. 4-8

4.4. Provmetod för att kontrollera om köldmedelsrören är lufttäta (Fig. 4-4)

- Anslut testverktygen.
 - Kontrollera att stoppventilerna A B är stängda, öppna dem inte.
 - Trycksätt köldmedelsledningarna via serviceöppning C på stoppventilen för vätska, A.
- Trycksätt inte till det angivna trycket direkt, utan lägg på trycket lite i taget.
 - Trycksätt till 0,5 MPa (5 kgf/cm²G), vänta i fem minuter, och kontrollera att trycket inte minskar.
 - Trycksätt till 1,5 MPa (15 kgf/cm²G), vänta i fem minuter, och kontrollera att trycket inte minskar.
 - Trycksätt till 4,15 MPa (41,5 kgf/cm²G) och mät den omgivande temperaturen och köldmedelstrycket.
- Om det angivna trycket håller i ungefär en dag utan att minska, har rören klara testet och det finns inga läckor.
 - Om den omgivande temperaturen ändras med 1°C, ändras trycket med ungefär 0,01 MPa (0,1 kgf/cm²G). Gör nödvändiga ändringar.
- Om trycket minskar i steg (2) eller (3), finns det en gasläcka. Leta efter orsaken till denna gasläcka.

4.5. Öppningsmetod för stoppventil

Öppningsmetoden för stoppventiler varierar med olika modeller av utomhusenheter. Använd lämplig metod för att öppna stoppventilerna.

- Gassidan på SW75 (Fig. 4-5)
 - Ta bort kåpan och vrid ventilstången motsols så långt det går med en 5 mm sexkantsnyckel. Sluta när den når stoppet. (ø 15,88: Ca. 13 varv)
 - Kontrollera att stoppventilen är helt öppen och skruva på locket igen.
- Gassidan på SW100, 120 (Fig. 4-6)
 - Ta bort locket, dra handtaget mot dig och vrid motors 1/4 varv för att öppna.
 - Kontrollera att stoppventilen är helt öppen, tryck in handtaget och skruva på locket igen.
- Vätskesida på SW75-120 och gas-/vätskesida på SW50-75 (Fig. 4-7)
 - Ta bort kåpan och vrid ventilstången motsols så långt det går med en 4 mm sexkantsnyckel. Sluta när den når stoppet. (ø 9,52: Ca. 10 varv)
 - Kontrollera att stoppventilen är helt öppen, tryck in handtaget och skruva på locket igen.

Köldmedelsrören skyddsindas på SW75-120

- Rören kan lindas in som skydd upp till en diameter på ø90 innan eller efter det att rören ansluts. Skär ut anvisningen i rörskyddet efter spåret och linda in rören.
- Rörets inloppsöppning på SW75-120
- Använd kitt eller tätningssmassa för att tätta rörinloppet runt rören så att det inte finns kvar några hål. (Om hålen inte sluts, kan ljud komma ut ur enheten eller så kan vatten och damm komma in i enheten, vilket kan orsaka haveri.)

Försiktighetsåtgärder när påfyllningsventilen används (Fig. 4-8)

- Dra inte åt serviceporten för mycket när den installeras, det kan göra att ventilkärnan deformeras och lossnar vilket kan leda till gasläckor.
- När sektion B positionerats på önskad plats ska du vrida på sektion A enbart och dra åt den.
- Dra inte åt sektionerna A och B mer tillsammans efter det att du dragit åt sektion A.

4.6. Tillsats av kylmeel

- Ytterligare påfyllning av enheten krävs inte om rörlängden inte är längre än 10 m.
- Om rörlängden överstiger 10 m ska enheten laddas med extra R410A-kylmeel i enlighet med de tillåtna rörlängderna i tabellen nedan.
 - När enheten stannat, fyll på den med ytterligare köldmedel genom stoppventilen för vätska när rören och inomhusenheter tömts.
 - När enheten är igång, fyll på köldmedel i gasbackventilen med en säkerhetsladdare. Fyll inte på flytande köldmedel direkt i backventilen.
 - När du har fyllt på köldmedel i enheten, anteckna den påfyllda köldmedelmängden på serviceetiketten (på enheten).
 - Se "1.4. Använda utomhusenheter med köldmedlet R410A" för mer information.

- Var försiktig vid installation av flera enheter. Om man ansluter till fel inomhusenhet kan detta leda till onormalt högt tryck och påverka prestandan allvarligt.

Modell	Tillåten rörlängd	Tillåten skillnad i vertikal led	Påfyllningsmängd köldmedel					
			11 - 20 m	21 - 30 m	31 - 40 m	41 - 50 m	51 - 60 m	61 - 75 m
SW50	2 m - 40 m	-30 m	0,2 kg	0,4 kg	0,6 kg	—	—	—
SW75	2 m - 40 m	-30 m	0,15 kg	0,3 kg	0,6 kg	—	—	—
SW100, 120	2 m - 75 m	-30 m	0,2 kg	0,4 kg	1,0 kg	1,6 kg	2,2 kg	2,8 kg

5. Dräneringsrör

Anslutningar för dräneringsrör för utomhusenheten

Om dräneringsrör krävs ska dräneringsuttaget eller dräneringstråget (tillval) användas.

	SW50	SW75	SW100, 120
Dräneringsuttag	PAC-SJ08DS-E	PAC-SG61DS-E	
Dräneringstråg	PAC-SG63DP-E	PAC-SG64DP-E	

6. Vattenrör

Minsta vattenmängd

Följande vattenmängd krävs i vattenkretsen.

Modell	Minsta vattenmängd (L)
SW50	22
SW75	32
SW100	43
SW120	54

Se till att frostskydda enheten genom att till exempel använda frostskyddsmedel när du använder enheten i kylläge vid låg omgivningstemperatur (under 0 °C).

7. Elektriska arbeten

7.1. Utomhusenhet (Fig. 7-1, Fig. 7-2)

- ① Ta bort servicepanelen.
- ② Hänvisa till fig. 7-1 och fig. 7-2 när kablarna dras.

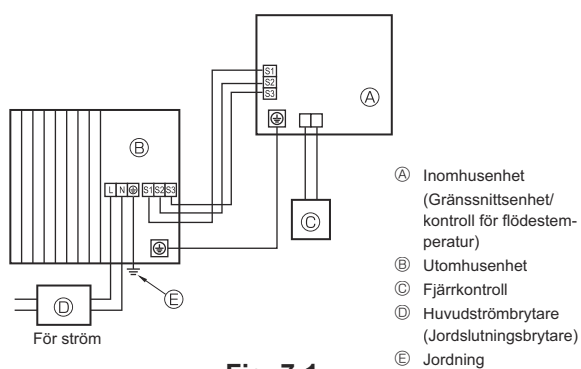
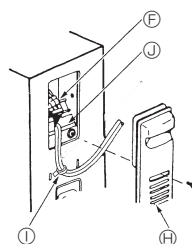
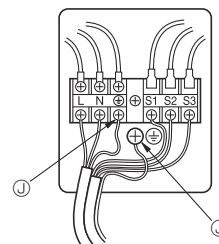


Fig. 7-1

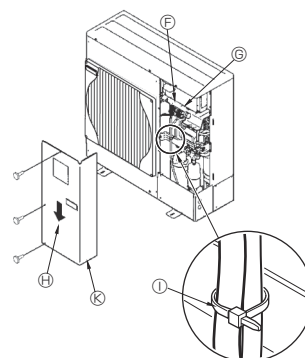
■ SW50



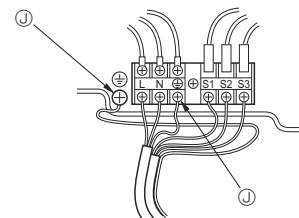
■ SW50



■ SW75-120



■ SW75-120V



■ SW100, 120Y

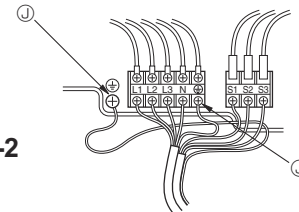


Fig. 7-2

- F Kopplingsplint
- G Kopplingsplintar för anslutningar inomhus/utomhus (S1, S2, S3)
- H Servicepanel
- I Klämma
- * Fäst kablarna så att de inte kommer i kontakt med servicepanelens mitt eller gasventilen.
- J Jorduttag
- K Dra kablarna så att de inte har kontakt med mitten av servicepanelen.

Obs:

Kom ihåg att montera tillbaka elkomponentlådans skyddsark om det tas bort vid underhåll.

⚠ Försiktighet:

Se till att installera N-ledningen. Utan N-ledningen kan enheten skadas.

7. Elektriska arbeten

7.2. Elektriska kopplingar på fältet

Utomhusenhetens modell		SW50V	SW75V	SW100V	SW120V	SW100, 120Y
Kraftmatning, utomhusenhet		~N (Enfas), 50 Hz, 230 V	~N (Enfas), 50 Hz, 230 V	~N (Enfas), 50 Hz, 230 V	~N (Enfas), 50 Hz, 230 V	3N~ (3-fas 4 ledningar), 50 Hz, 400 V
Utomhusenhetens ineffekt Frånskiljare (brytare) *1		16 A	25 A	32 A	40 A	16 A
Leidningsdragnings Leidningsnummer x storlek (mm ²)	Kraftmatning, utomhusenhet	3 × Min. 1,5	3 × Min. 2,5	3 × Min. 4	3 × Min. 6	5 × Min. 1,5
	Inomhusenhet-Utomhusenhet	3 × 1,5 (Polar)	3 × 1,5 (Polar)	3 × 1,5 (Polar)	3 × 1,5 (Polar)	3 × 1,5 (Polar)
	Inomhusenhet-Utomhusenhet, jord	1 × Min. 1,5	1 × Min. 1,5	1 × Min. 1,5	1 × Min. 1,5	1 × Min. 1,5
	Anslutningsledning fjärrkontroll/inomhusenhet *3	2 × 0,3 (Opolariserad)	2 × 0,3 (Opolariserad)	2 × 0,3 (Opolariserad)	2 × 0,3 (Opolariserad)	2 × 0,3 (Opolariserad)
Kretsens märk- värde	Utomhusenhet L-N (Enfas)	230 VAC	230 VAC	230 VAC	230 VAC	230 VAC
	Utomhusenhet L1-N, L2-N, L3-N (3-fas)	230 VAC	230 VAC	230 VAC	230 VAC	230 VAC
	Inomhusenhet-Utomhusenhet S1-S2	230 VAC	230 VAC	230 VAC	230 VAC	230 VAC
	Inomhusenhet-Utomhusenhet S2-S3	24 VDC	24 VDC	24 VDC	24 VDC	24 VDC
	Anslutningsledning fjärrkontroll/inomhusenhet *4	12 VDC	12 VDC	12 VDC	12 VDC	12 VDC

*1. Använd en jordslutningsbrytare (NV) med minst 3,0 mm avstånd mellan kontaktarna i varje pol.

Säkerställ att jordfelsbrytaren är kompatibel med högre svängningar.

Använd alltid en jordfelsbrytare som är kompatibel med högre svängningar eftersom denna enhet är utrustad med en växelriktare.

Om en otillräcklig brytare används kan växelriktaren fungera felaktigt.

*2. Max. 45 m

Om 2,5 mm² används, max. 50 m

Om 2,5 mm² används och S3 är separat, max. 80 m

*3. En 10 m ledning är monterad på tillbehöret fjärrkontrollen.

*4. Värdena gäller INTE alltid jordningen.

S3-uttaget har 24 VDC till skillnad från S2-uttaget. Mellan S3 och S1 är uttagen INTE elektriskt isolerade av transformatorn eller någon annan enhet.

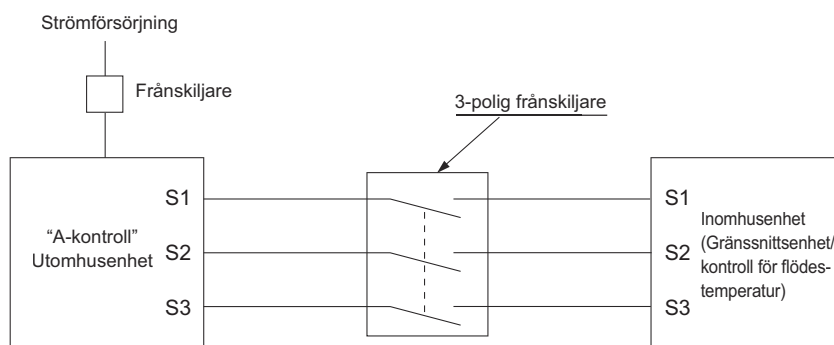
Obs: 1. Kabeltjockleken måste överensstämma med nationella föreskrifter.

2. Nätströmssladdar och anslutningsladdar för inom- och utomhusenheter bör inte vara lättare än polykloroprenskärmad böjlig sladd. (Konstruktion 60245 IEC 57)

3. Försäkra dig om att ansluta sladdarna mellan gränssnittsenheten/kontrollen för flödestemperatur och utomhusenheten direkt till enheterna (ingen mellankopplingar är tillåtna). Mellankopplingar kan leda till kommunikationsfel. Om vatten kommer in i anslutningspunkten, kan det orsaka otillräcklig isolering för jordningen eller dålig elektrisk kontakt. Om en mellananslutning är nödvändig, vidta åtgärder för att förhindra att vatten kommer i kontakt med sladdarna.)

4. Installera en jordledning som är längre än de övriga kablarna.

5. Konstruera inte ett system vars strömtillförsel stängs ON (till) och sätts OFF (från) vid upprepade tillfällen.



⚠ Varning:

- Vid ledningsdragnings med A-styrning finns det potentiellt hög spänning i S3-uttaget orsakat av de elektriska kretsarnas utformning som inte har elektrisk isolering mellan strömledningen och kommunikationssignalledningen. Stäng därför av nätströmtillförseln vid underhåll. Ta inte på uttagen S1, S2, S3 när strömmen magnetiseras. Använd en 3-polig frånskiljare om en frånskiljare används mellan inomhus- och utomhusenheten.

Strömkabeln eller kabeln för utomhusanslutningar får aldrig skarvas. Det kan leda till rökbildning, brand eller kommunikationsfel.

8. Specialfunktioner

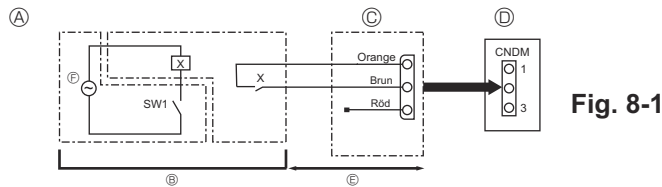


Fig. 8-1

- Ⓐ Exempel på kopplingschema (lägsta ljud-nivå)
- Ⓑ Uppställning på plats
- Ⓒ Yttre inadapter (PAC-SC36NA-E)
X: Relä
- Ⓓ Utomhusenhetens kontrollkort
- Ⓔ Max. 10 m
- Ⓕ Strömförsörjning för relä

8.1. Lägsta ljud-nivå (ändring på plats) (Fig. 8-1)

Om du gör följande ändring kan ljudet från utomhusenheten vid drift minska med 3-4 dB.

Lägsta ljud-nivån aktiveras när en vanlig timer eller kontakten på en ON/OFF-omkopplare (till/från) läggs till CNDM-anslutningen (säljs separat) på utomhusenhetens kontrollkort.

- Resultatet varierar med utomhustemperaturen och -villkoren osv.
- ① Slut kretsen enligt figuren med den yttre inadaptorn (PAC-SC36NA-E). (Säljs separat)
 - ② SW1-7 (Utomhusenhetens kontrollkort): OFF
 - ③ SW1 ON (till): Lägsta ljud-nivå
SW1 OFF (från): Normal drift

8.2. Återvinning av köldmedel

Gör följande för att återvinna köldmedlet vid flyttning av inomhus- eller utomhusenheten.

- ① Koppla in spänningen (överspänningsskydd).
 - * När spänningen är inkopplad, kontrollera att "CENTRALLY CONTROLLED" (centralt styrd) inte visas på fjärrkontrollen. Om "CENTRALLY CONTROLLED" visas, kan inte återvinningen av köldmedel slutföras på vanligt sätt.
 - * Det tar cirka 3 minuter att starta kommunikationen mellan inom- och utomhusenheten efter det att strömmen (strömbrytaren) slås på. Starta inhämtningen 3 till 4 minuter efter det att strömmen (strömbrytaren) slagits PÅ.
 - * Om flera kontrollenheter används, ska du koppla ur kablarna mellan den styrande inomhusenheten och slavenheten innan de aktiveras. Mer information finns i inomhusenhetens installationsmanual.
- ② När stoppventilen för vätska stängts, placera SWP-omkopplaren på utomhusenhetens kontrollkort i läge ON (till). Kompressorn (utomhusenheten) och fläktarna (inomhus- och utomhusenheterna) startar och återvinningen av köldmedel påbörjas. LED1 och LED2 på utomhusenhetens kontrollkort tänds.
 - * Sätt endast SWP-omkopplaren (tryckknappstyp) i läge ON (till) om enheten stannar. Även om enheten stannar och SWP-omkopplaren placeras i läge ON (till) mindre än 3 minuter efter att kompressorn stannar, kan återvinningen av köldmedel inte utföras. Vänta tills kompressorn stått stilla i 3 minuter och placera sedan SWP-omkopplaren i läge ON (till) igen.
- ③ Eftersom enheten automatiskt stoppas inom 2 eller 3 minuter när inhämtningen av köldmedel är klar (LED1 släckt, LED2 tänd) måste du komma ihåg att snabbt stänga gasventilen. Inhämtningen av köldmedel har inte utförts på rätt sätt om LED1 är tänd och LED2 är släckt och utomhusenheten har stoppat. Öppna vätskeventilen helt och upprepa därefter steg ② när 3 minuter har gått.
 - * Om inhämtningen av köldmedel har slutförts som den ska (LED1 släckt, LED2 tänd) kommer enheten att vara i stoppläge tills strömförsörjningen stängs av.
- ④ Koppla ur spänningen (överspänningsskydd).
 - * Observera att om förlängningsrören är mycket långa med en stor mängd köldmedel så går det inte att genomföra en inhämtning. Vid utpumpning, säkerställ att det låga trycket sänks till nära 0 MPa (mätare).

⚠ Varning:

Vid inhämtning av köldmedium ska kompressorn stoppas innan kylvätskerören kopplas bort. Kompressorn kan spricka om luft osv. tränger in i den.

9. Systemkontroll

Ställ in köldmediumadressen med DIP-omkopplaren på utomhusenheten.

SW1-funktionsinställning

SW1-inställning	Köldmedie- diumadress	SW1-inställning	Köldmedie- diumadress
ON OFF 3 4 5 6 7	00	ON OFF 3 4 5 6 7	03
ON OFF 3 4 5 6 7	01	ON OFF 3 4 5 6 7	04
ON OFF 3 4 5 6 7	02	ON OFF 3 4 5 6 7	05

OBS:

a) Det går att ansluta upp till 6 enheter.

b) Välj en enda modell för alla enheter.

c) Information om inställningar för inomhusenhetens DIP-omkopplare finns i inomhusenhetens bruksanvisning.

10. Specifikationer

Utomhusmodell		PUHZ-SW50VKA	PUHZ-SW75VHA	PUHZ-SW100VHA	PUHZ-SW120VHA	PUHZ-SW100YHA	PUHZ-SW120YHA
Strömtillförsel	V / Fas / Hz	230 / Enkel / 50				400 / Tre / 50	
Mått (H × B × D)	mm	809 × 630 × 360	950 × 943 × 330(+30)	950 × 1350 × 330(+30)			
Ljudnivå *1							
SPL	Up- pvärmning	dB(A)	46	51	54	54	54
	Nedkyl- ning	dB(A)	46	48	50	51	51
PWL	Up- pvärmning	dB(A)	63	69	70	72	72

*1 Uppmätt under markerad frekvens för drift.

İçindekiler

1. Güvenlik Önlemleri.....	92	6. Su tesisatı İşleri.....	98
2. Montaj yeri.....	93	7. Elektrik işleri.....	98
3. Dış ünitenin monte edilmesi.....	95	8. Özel fonksiyonlar.....	100
4. Soğutucu borularının monte edilmesi.....	95	9. Sistem kontrolü.....	100
5. Drenaj Tesisatı İşleri.....	98	10. Özellikler.....	100

⚠ Dikkat:

- R410A'yı Atmosfere bırakmayın:
- R410A, Flüorinli Sera gazıdır ve Global Isınma Potansiyeli (GWP)=1975 ile Kyoto Protokolü kapsamındadır.

1. Güvenlik Önlemleri

- ▶ Üniteyi monte etmeden önce "Güvenlik Önlemleri"nin hepsini okumalısınız.
- ▶ Lütfen sisteme bağlamadan önce elektrik kurumuna haber verin veya onayını alın.

⚠ Uyarı:

Kullanıcı açısından yaralanma veya ölüm tehlikesinin önüne geçmek için alınması gereken önlemleri açıkla.

⚠ Dikkat:

Cihazın hasar görmesini önlemek için alınması gereken önlemleri açıkla.

⚠ Uyarı:

- Cihaz kullanıcı tarafından monte edilmemelidir. Satıcıdan veya yetkili servisten cihazı monte etmelerini isteyin. Cihazın montajı yanlış yapıldığı takdirde, su kaçağı, elektrik çarpması veya yangın meydana gelebilir.
- Montaj işleri sırasında, Montaj Kılavuzu'nda yer alan talimatları izleyin ve R410A soğutucu ile kullanılmak üzere özel olarak imal edilmiş gereçleri ve boru elemanlarını kullanın. HFC sistemi içindeki R410A soğutucu, sıradan soğutuculardan 1,6 kat daha yüksek bir basınçla sıkıştırılmıştır. R410A soğutucu için tasarlanmamış boru elemanları kullanıldığı ve cihaz doğru şekilde monte edilmediği takdirde, borular patlayabilir ve hasara veya yaralanmalara yol açabilir. Ayrıca, su kaçağı, elektrik çarpması veya yangın da meydana gelebilir.
- Deprem, fırtına veya şiddetli rüzgardan zarar görme riskini en aza indirmek için, cihaz talimatlara uygun olarak monte edilmelidir. Yanlış monte edilmiş bir cihaz düşebilir ve hasara veya yaralanmalara yol açabilir.
- Cihaz, ağırlığını taşıyabilecek bir yapı üzerine emniyetli şekilde monte edilmelidir. Cihaz dengesiz bir yapı üzerine monte edildiği takdirde, düşebilir ve hasara veya yaralanmalara yol açabilir.
- Dış ünite küçük bir odaya kurulacaksa, soğutucu kaçağı olması durumunda oda içindeki soğutucu konsantrasyonunun güvenlik sınırını aşmasını önleyecek tedbirler alınmalıdır. İzin verilen konsantrasyonun aşılmaması için alınacak tedbirler konusunda satıcıya danışın. Soğutucu kaçağı olması ve konsantrasyon sınırının aşılması durumunda, oda içinde oluşacak oksijen azlığı nedeniyle tehlikeli durumlara yol açılabilir.
- Kullanım sırasında soğutucu kaçağı meydana gelirse, odayı havalandırın. Soğutucunun alevle temas etmesi durumunda zehirli gazlar oluşabilir.
- Bütün elektrik işleri ruhsatlı teknisyenler tarafından, yerel yönetmeliklere ve bu kılavuzda verilen talimatlara uygun şekilde yapılmalıdır. Cihazlar kendilerine ayrılmış elektrik hatlarına bağlanmalı ve doğru voltaj ve devre kesiciler kullanılmalıdır. Yetersiz kapasiteye sahip elektrik tesisatı ve elektrik işlerinin yanlış yapılması elektrik çarpmasına veya yangına neden olabilir.
- Soğutucu borularını bağlarken, bakır ve bakır alaşımli kaynaklı borular için C1220 bakır fosfor kullanın. Borular düzgün şekilde bağlanmadığı takdirde, cihaz doğru şekilde topraklanmayacak ve elektrik çarpması riski doğacaktır.

Montaj tamamlandıktan sonra, Kullanma Kılavuzunda yer alan bilgilere uygun şekilde müşteriye cihazın "Güvenlik Önlemleri"ni, kullanımını ve bakımını açıklayın ve cihazın normal şekilde çalıştığından emin olmak için bir çalışma testi yapın. Hem Montaj Kılavuzu hem de Kullanım Kılavuzu, kullanıcıda kalmak üzere kendisine verilmelidir. Bu kılavuzlar sonraki kullanıcılara da devredilmelidir.

⚠ Topraklanması gereken parçaları gösterir.

⚠ Uyarı:

Ana üniteye yapıştırılmış olan etiketleri dikkatle okuyunuz.

- Kablolama için sadece belirtilen kabloları kullanın. Kablolama bağlantıları, terminal bağlantılarında hiç gerilim uygulanmadan güvenli yapılmalıdır. Ayrıca kablolama için kabloları hiçbir zaman birbirine bağlamayın (tersi bu belgede belirtilmedikçe). Bu talimatlara uyulmaması aşırı ısınmaya ya da yangına neden olabilir.
- Bina dışı ünitenin terminal blok kapağı paneli sıkıca tutturulmalıdır. Kapak paneli yanlış yerleştirilirse ve üniteye toz ve nem girerse, elektrik şoku oluşabilir veya yangın çıkabilir.
- Dış ünitenin montajını yaparken, yerini değiştirirken veya bakımını yaparken soğutucu hatlarını doldurmak için yalnızca belirtilen soğutucuyu (R410A) kullanın. Bu soğutucuyu diğer soğutucularla karıştırmayın ve hatlarda hava kalmamasını sağlayın. Havanın soğutucuyla karışması, soğutucu hattında anormal bir basınç oluşmasına neden olabilir ve bu da patlamaya veya diğer tehlikelerin ortaya çıkmasına neden olabilir.
- Sistem için belirtilenden farklı bir soğutucunun kullanılması mekanik arızaya, sistemin bozulmasına veya ünitenin arızalanmasına neden olabilir. Bu durum, en kötü ihtimalde ürün güvenliğinin sağlanması açısından bir engel ortaya çıkarabilir.
- Bunların monte edilmesi sırasında yalnızca Mitsubishi Electric tarafından izin verilen aksesuarları kullanın veya satıcı veya yetkili teknisyene danışın. Aksesuarların montajı yanlış yapıldığı takdirde, su kaçağı, elektrik çarpması veya yangın meydana gelebilir.
- Cihaz üzerinde değişiklik yapmayın. Onarım işleri için satıcıya başvurun. Değişikliklerin veya onarımların yanlış yapılması durumunda, su kaçağı, elektrik çarpması veya yangın meydana gelebilir.
- Kullanıcı asla cihazı tamir etmeye veya başka bir yere taşımaya kalkışmamalıdır. Cihazın montajı yanlış yapıldığı takdirde, su kaçağı, elektrik çarpması veya yangın meydana gelebilir. Dış ünitenin onarılması veya başka bir yere taşınması gerekiyorsa, satıcı veya yetkili bir teknisyene başvurun.
- Montaj tamamlandıktan sonra, soğutucu kaçağı olup olmadığını kontrol edin. Soğutucunun odaya sızması ve herhangi bir ısıtıcının alevi veya portatif bir yemek pişirme aracının etki alanıyla temas etmesi halinde zehirli gazlar oluşabilir.

1.1. Montajdan önce

⚠ Dikkat:

- Cihazı alışılmadık ortamlarda kullanmayın. Dış üniteyi buhar, uçucu yağ (makine yağı dahil) ve sülfürik aside maruz kalan alanlara, deniz kenarı gibi yüksek derecede toza maruz kalan alanlara veya cihazın karla kaplanabileceği alanlara monte edilmesi durumunda, performansı önemli ölçüde düşebilir ve iç aksamı zarar görebilir.
- Cihazı yanıcı gazların oluşabileceği, sızabileceği, akabileceği veya birikebileceği yerlere monte etmeyin. Cihazın yakınında yanıcı gazların birikmesi halinde yangın veya patlama meydana gelebilir.

- Dış ünite, ısıtma işlemi sırasında yoğunlaşmaya yol açar. Söz konusu yoğunlaşmanın zarar verme olasılığı varsa, dış ünite etrafında drenaj sağlayın.
- Cihazı hastane veya iletişim ofislerine monte ederken, gürültü ve elektronik parazite karşı hazırlıklı olun. Akım dönüştürücüler, ev aletleri, yüksek frekanslı tıbbi cihazlar ve radyo iletişim cihazları, dış ünitenin çalışmasının aksamasına veya bozulmasına yol açabilir. Aynı zamanda dış ünite de tıbbi cihazlara etki ederek ekran görüntüsünü bozmak suretiyle tıbbi bakımı ve iletişim cihazlarının çalışmasını aksatabilir.

1. Güvenlik Önlemleri

1.2. Montajdan önce (yer değiştirme)

⚠ Dikkat:

- Ünitelerin taşınması veya kurulumu sırasında çok dikkatli olunmalıdır. 20 kg veya daha ağır olduğundan, bu cihazı taşımak için iki veya daha fazla kişi gerekir. Ambalaj bantlarından tutmayın. Üniteyi paketinden çıkarırken ve taşıırken koruyucu eldiven giyilmelidir; aksi takdirde kanatlar veya diğer parçaların kenarları ellerinizde yaralanmaya neden olabilir.
- Ambalaj maddelerinin güvenli şekilde atıldığından emin olun. Çivi veya başka metal veya tahta parçalar gibi ambalaj maddeleri batma veya başka şekillerde yaralanmalara yol açabilir.

- Dış ünitenin tabanı ve takılı parçalar gevşeme, çatlama ve diğer aksaklıklara karşı belirli aralıklarla kontrol edilmelidir. Bu gibi aksaklıklar düzeltilmeden bırakılırsa, cihaz düşebilir ve hasara veya yaralanmalara yol açabilir.
- Dış üniteyi suyla temizlemeyin. Elektrik çarpması meydana gelebilir.
- Tork anahtarı kullanarak, bütün geçme somunları belirtilen değere kadar sıkın. Fazla sıkıldığı takdirde, geçme somun bir süre sonra kırılabilir ve soğutucu kaçağı meydana gelebilir.

1.3. Elektrik işlerinden önce

⚠ Dikkat:

- Devre kesicilerini taktığınızdan emin olun. Bunlar takılmadığı takdirde, elektrik çarpması meydana gelebilir.
- Elektrik tesisatında, yeterli kapasiteye sahip standart kablolar kullanın. Aksi takdirde, kısa devre, aşırı ısınma veya yangın meydana gelebilir.
- Elektrik tesisatını kurarken kabloları germeyin. Kablolar gevşedikleri takdirde kopabilir veya kırılabilir ve bunun sonucunda da aşırı ısınma veya yangına yol açabilir.

- Cihazın topraklandığından emin olun. Toprak hattını gaz veya su borularına, paratonerlere veya telefon toprak hatlarına bağlamayın. Cihaz doğru şekilde topraklanmadığı takdirde, elektrik çarpması meydana gelebilir.
- Belirtilen kapasiteye sahip devre kesicileri (toprak arıza kesici, izolasyon anahtarı (+B sigortası) ve kalıplı devre kesici) kullanın. Devre kesicinin kapasitesi belirtilenden fazla olduğu takdirde, arıza veya yangın meydana gelebilir.

1.4. R410A soğutuculu dış ünitelerin kullanımı

⚠ Dikkat:

- Soğutucu borularını bağlarken, bakır ve bakır alaşımly kaynaksız borular için C1220 bakır fosfor kullanın. Boruların iç yüzeylerinin temiz ve kükürtlü bileşikler, oksidantlar, moloz veya toz gibi zararlı maddelerden arınmış olduğundan emin olun. Belirtilmiş kalınlıkta borular kullanın. (4.1. 'e' bakın) Önceden R22 soğutucusu taşımış olan mevcut boruları yeniden kullanırken şunlara dikkat edin:
 - Mevcut geçme somunları değiştirin ve kıvrımlı bölümleri tekrar geçirin.
 - İnce boru kullanmayın. (4.1. 'e' bakın)
- Montajda kullanılacak olan boruları kapalı yerde saklayın ve boruların her iki ucunu da kaynak işleminden hemen öncesine kadar kapalı tutun. (Dirsek bağlantıları, vb.'yi ambalajlarında tutun.) Soğutucu hatlarına toz, moloz veya nem girdiği takdirde, yağ bozulabilir veya kompresör arızalanabilir.
- Geçmeli bölümlere uygulanacak soğutucu yağı olarak ester yağı, eter yağı, alkilbenzen yağı (az miktarda) kullanın. Soğutma yağına mineral yağ karışırsa, yağ bozulabilir.

- R410A soğutucusundan başka bir soğutucu kullanmayın. başka bir soğutucu kullanıldığı takdirde, klor yağın bozulmasına neden olacaktır.
- R410A soğutucu ile birlikte kullanılmak için özel olarak tasarlanmış aşağıdaki gereçleri kullanın: R410A soğutucuyu kullanmak için şu gereçler gereklidir: Herhangi bir sorunuz olduğu takdirde en yakın satıcıyla görüşün.

Gereçler (R410A için)	
Geyç manifoldu	Geçme aleti
Doldurma hortumu	Ebat ayarlama geyçi
Gaz sızıntı detektörü	Vakum pompa adaptörü
Tork anahtarı	Elektronik soğutucu dolun tartısı

- Doğru gereçleri kullandığınızdan emin olun. Soğutucu hatlarına toz, moloz veya nem girdiği takdirde, soğutma yağı bozulabilir.
- Doldurma silindiri kullanmayın. Doldurma silindiri kullanılırsa, soğutucunun bileşimi değişecek ve verimi düşecektir.

2. Montaj yeri

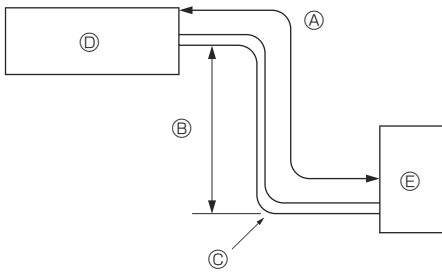


Fig. 2-1

2.1. Soğutucu boruları (Fig. 2-1)

- İç ve dış ünitelerin yükseklikleri arasındaki farkın, soğutucu borularının uzunluğunun ve borulardaki büküm sayısının aşağıda gösterilen sınırlar içinde olup olmadığını kontrol ediniz.

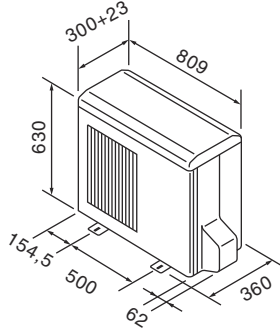
Model	Ⓐ Boruların uzunluğu (tek yönde)	Ⓑ Yükseklik farkı	Ⓒ Büküm sayısı (tek yönde)
SW50	2 m - 40 m	Maks. 30 m	Maks. 15
SW75	2 m - 40 m	Maks. 30 m	Maks. 15
SW100, 120	2 m - 75 m	Maks. 30 m	Maks. 15

- Yükseklik farkı sınırlaması, iç ya da dış ünitenin hangisinin daha yüksek konumda olduğuna bakmaksızın tanımlanır.

- Ⓓ İç ünite
- Ⓔ Dış ünite

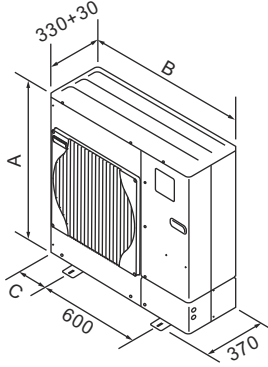
2. Montaj yeri

■ SW 50



(mm)

■ SW75, 100, 120



Model	A (mm)	B (mm)	C (mm)
SW75	943	950	175
SW100	1350	950	175
SW120	1350	950	175

Fig. 2-2

2.2. Dış ünitenin montaj yerinin seçimi

- Doğrudan güneş ışığına veya diğer ısı kaynaklarına maruz kalan yerlerden kaçının.
- Cihaz tarafından yayılan sesin komşularını rahatsız etmeyeceği bir yer seçin.
- Elektrik kaynağına ve iç üniteye kolay şekilde kablo tesisatı ve boru döşemeye elverişli bir yer seçin.
- Yanıcı gazların sızıntı yaratabileceği, meydana gelebileceği, akabileceği veya birikebileceği yerlerden kaçının.
- Çalışma sırasında cihazdan su akabileceğini unutmayın.
- Cihazın ağırlığını ve titreşimini kaldıracak düz bir yer seçin.
- Cihazın karla kaplanabileceği yerlerden kaçının. Şiddetli kar yağışının beklendiği yerlerde, karın hava girişini tıkamasını veya tam karşısından yağmasını engellemek için montaj konumunu yükseltmek veya hava girişine bir kapak takmak gibi özel tedbirler alınmalıdır. Bu yapılmadığı takdirde hava akışı azalabilir ve arıza çıkabilir.
- Yağ, buhar veya kükürtlü gazlara maruz kalan yerlerden kaçın.
- Cihazı taşıırken, dış üniteye yer alan taşıma kollarını kullanın. Cihaz alttan taşındığı takdirde eller veya parmaklar sıkışabilir.

2.3. Dış ölçüler (Dış ünite) (Fig. 2-2)

2.4. Havalandırma ve bakım alanı

2.4.1. Rüzgarlı yerlerde montaj

Dış üniteyi çatı üstüne veya rüzgara karşı korunaksız başka bir yere monte ederken, cihazı, hava çıkışı doğrudan rüzgara karşı gelmeyecek şekilde yerleştirin. Hava çıkışından girecek güçlü rüzgar normal hava akışını aksatabilir ve arızaya yol açabilir. Güçlü rüzgarlara karşı alınabilecek üç önlem şunlardır:

- ① Hava çıkışını, en yakındaki duvara doğru, duvardan yaklaşık 50 cm uzaklıkta olacak şekilde yerleştirin. (Fig. 2-3)
- ② Ünite, tayfun ve başka nedenlerden oluşan güçlü rüzgârların doğrudan hava çıkışına girebileceği bir yere monte edilmişse, isteğe bağlı olarak sağlanan bir hava kılavuzu monte edin. (Fig. 2-4)
 - Ⓐ Hava kılavuzu
- ③ Cihazın konumunu, mümkünse, hava çıkışından gelen havanın, mevsimsel rüzgarlarının yönüne dik gelmesini sağlayacak şekilde seçin. (Fig. 2-5)
 - Ⓑ Rüzgarın yönü

2.4.2. Tek bir dış ünite monte ederken (Son sayfaya bakın)

Minimum ölçüler, Maksimum boyutlar anlamına gelen Max'te belirtilenler dışında, şöyledir.

Parantez içindeki rakamlar SW100, 120 modelleri içindir.

Her durumda şemalara başvurun.

- ① Yalnızca arkadaki engeller (Fig. 2-6)
- ② Yalnızca arkadaki ve üstteki engeller (Fig. 2-7)
 - İsteğe bağlı hava çıkış kılavuzlarını yukarı yöndeki hava akışı için kullanmayın.
- ③ Yalnızca arkadaki ve yandaki engeller (Fig. 2-8)
 - * SW50 için 350
- ④ Yalnızca öndeki engeller (Fig. 2-9)
 - * İsteğe bağlı hava çıkış kılavuzu kullanırken, SW100, 120 modellerinin açıklıkları 500 mm veya daha fazla olmalıdır.
- ⑤ Yalnızca öndeki ve arkadaki engeller (Fig. 2-10)
 - * İsteğe bağlı hava çıkış kılavuzu kullanırken, SW100, 120 modellerinin açıklıkları 500 mm veya daha fazla olmalıdır.
- ⑥ Yalnızca arkadaki, yandaki ve üstteki engeller (Fig. 2-11)
 - * SW50 için 350
 - İsteğe bağlı hava çıkış kılavuzlarını yukarı yöndeki hava akışı için kullanmayın.

2.4.3. Birden fazla dış ünite monte ederken (Son sayfaya bakın)

Üniteler arasında SW50 için 350 mm ve SW75-120 için 10 mm veya daha fazla boşluk bırakın.

Parantez içindeki rakamlar SW100, 120 modelleri içindir.

Her durumda şemalara başvurun.

- ① Yalnızca arkadaki engeller (Fig. 2-12)
- ② Yalnızca arkadaki ve üstteki engeller (Fig. 2-13)
 - Yan yana en fazla üç ünite yerleştirilmelidir. Ayrıca, aralarında gösterildiği şekilde boşluk bırakılmalıdır.
 - İsteğe bağlı hava çıkış kılavuzlarını yukarı yöndeki hava akışı için kullanmayın.
- ③ Yalnızca öndeki engeller (Fig. 2-14)
 - * İsteğe bağlı hava çıkış kılavuzu kullanırken, SW100, 120 modellerinin açıklıkları 1000 mm veya daha fazla olmalıdır.
- ④ Yalnızca öndeki ve arkadaki engeller (Fig. 2-15)
 - * İsteğe bağlı hava çıkış kılavuzu kullanırken, SW100, 120 modellerinin açıklıkları 1000 mm veya daha fazla olmalıdır.
- ⑤ Tekli paralel ünite düzeni (Fig. 2-16)
 - * Yukarı yöndeki hava akışı için isteğe bağlı hava çıkış kılavuzu kullanırken, açıklık 500 (1000) mm veya daha fazla olmalıdır.
- ⑥ Çoklu paralel ünite düzeni (Fig. 2-17)
 - * Yukarı yöndeki hava akışı için isteğe bağlı hava çıkış kılavuzu kullanırken, açıklık 1000 (1500) mm veya daha fazla olmalıdır.
- ⑦ İstifli ünite düzeni (Fig. 2-18)
 - Üniteler üst üste en fazla iki üniteye kadar istiflenebilir.
 - Yan yana en fazla iki ünite istifli şekilde yerleştirilmelidir. Ayrıca, aralarında şekildedeki gibi boşluk bırakılmalıdır.

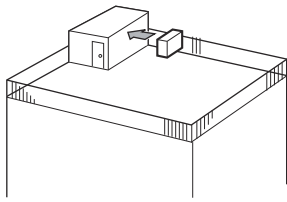


Fig. 2-3

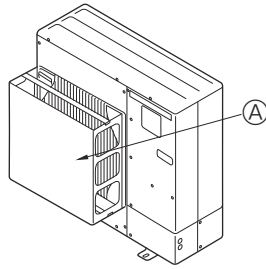


Fig. 2-4

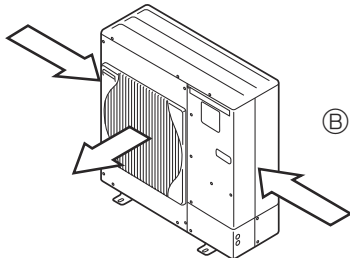
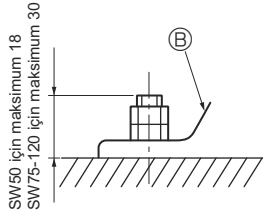
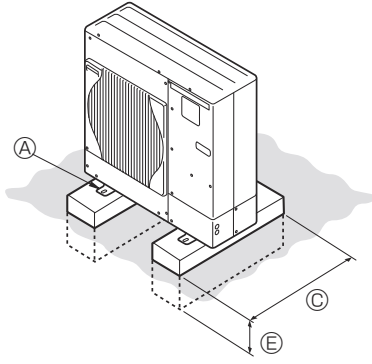


Fig. 2-5

3. Dış ünitenin monte edilmesi



- Ⓐ M10 (3/8") civata
- Ⓑ Kaide
- Ⓒ Mümkün olduğunca uzak
- Ⓓ Havalandırma deliği
- Ⓔ Zemin içine gömülü set

(mm)

- Ünitenin çalışması sırasında gürültü yapmaması için üniteyi mutlaka sağlam ve düz bir yüzeye monte edin. (Fig. 3-1)

<Temel spesifikasyonları>

Temel civatası	M10 (3/8")
Beton kalınlığı	120 mm
Cıvatanın uzunluğu	70 mm
Ağırlık çekme kapasitesi	320 kg

- Temel civatasının uzunluğunun kaidenin alt yüzeyine kadar 30 mm'den az olmasını sağlayın.
- Ünitenin kaidesini dört adet M10 civatasıyla sağlam yerlere tespit edin.

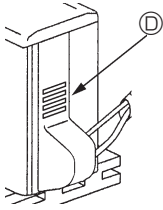
Dış ünitenin monte edilmesi

- Havalandırma deliğini tıkamayın. Havalandırma deliğinin tıkanması, çalışmayı aksatacak ve arızaya yol açacaktır.
- Gerekirse, cihazın tabanına ek olarak arkasında bulunan delikleri de kabloları tutturmak, vb. için kullanarak cihazı tespit edin. Kendinden dış açmalı vidalar (ø5 x 15 mm veya daha az) kullanarak seçilen yere monte edin.

⚠ Uyarı:

- Cihaz, ağırlığını taşıyabilecek bir yapı üzerine emniyetli şekilde monte edilmelidir. Cihaz dengesiz bir yapı üzerine monte edildiği takdirde, düşebilir ve hasara veya yaralanmalara yol açabilir.
- Deprem, fırtına veya şiddetli rüzgardan zarar görme riskini en aza indirmek için, cihaz talimatlara uygun olarak monte edilmelidir. Yanlış monte edilmiş bir cihaz düşebilir ve hasara veya yaralanmalara yol açabilir.

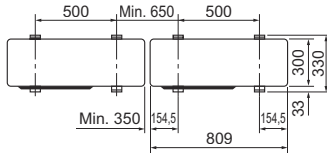
■ SW50



■ SW75-120



■ SW50



■ SW75-120

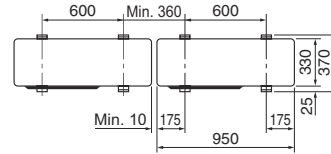


Fig. 3-1

4. Soğutucu borularının monte edilmesi

4.1. R410A soğutucu kullanan cihazlarda alınacak önlemler

- R410A soğutuculu dış üniteleri kullanırken alınacak önlemlerden aşağıda belirtilmemiş olanlar için 1.4. ya başvurun.
- Geçmeli bölümlere uygulanacak soğutucu yağı olarak ester yağı, eter yağı, alkilbenzen yağı (az miktarda) kullanın.
- Soğutucu borularını bağlarken, bakır ve bakır alaşımli kaynaqsız borular için C1220 bakır fosfor kullanın. Aşağıdaki tabloda belirtilmiş kalınlıkta soğutucu boruları kullanın. Boruların iç yüzeylerinin temiz ve kükürtlü bileşikler, oksitler, moloz veya toz gibi zararlı maddelerden arınmış olduğundan emin olun. Boruları lehimlerken daima oksitlenmeyen lehim kullanın, aksi takdirde, kompresör zarar görür.

⚠ Uyarı:

Dış ünitenin montajını yaparken, yerini değiştirirken veya bakımını yaparken soğutucu hatlarını doldurmak için yalnızca belirtilen soğutucuyu (R410A) kullanın. Bu soğutucuyu diğer soğutucularla karıştırmayın ve hatlarda hava kalmamasını sağlayın.

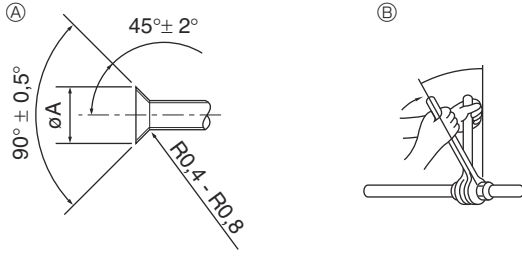
Havanın soğutucuyla karışması, soğutucu hattında anormal bir basınç oluşmasına neden olabilir ve bu da patlamaya veya diğer tehlikelerin ortaya çıkmasına neden olabilir.

Sistem için belirtilenden farklı bir soğutucunun kullanılması mekanik arızaya, sistemin bozulmasına veya ünitenin arızalanmasına neden olabilir. Bu durum, en kötü ihtimalde ürün güvenliğinin sağlanması açısından bir engel ortaya çıkarabilir.

Boru ebadı (mm)	ø6,35	ø9,52	ø12,7	ø15,88	ø19,05	ø22,2	ø25,4	ø28,58
Kalınlık (mm)	0,8	0,8	0,8	1,0	1,0	1,0	1,0	1,0

- Yukarıda belirtilenlerden daha ince boru kullanmayın.
- Çap 22,2 mm ya da daha büyükse 1/2 H ya da H borular kullanın.

4. Soğutucu borularının monte edilmesi



Ⓐ Geçme kesim ölçüleri
Ⓑ Geçme somun sıkıştırma torku

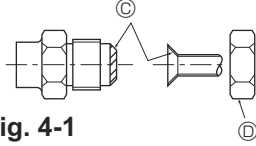


Fig. 4-1

Ⓐ (Fig. 4-1)

Bakır boru O.D. (mm)	Geçme boyutları ϕA boyutları (mm)
$\phi 6,35$	8,7 - 9,1
$\phi 9,52$	12,8 - 13,2
$\phi 12,7$	16,2 - 16,6
$\phi 15,88$	19,3 - 19,7
$\phi 19,05$	23,6 - 24,0

Ⓑ (Fig. 4-1)

Bakır boru O.D. (mm)	Geçme somun O.D. (mm)	Sıkıştırma torku (N·m)
$\phi 6,35$	17	14 - 18
$\phi 6,35$	22	34 - 42
$\phi 9,52$	22	34 - 42
$\phi 12,7$	26	49 - 61
$\phi 12,7$	29	68 - 82
$\phi 15,88$	29	68 - 82
$\phi 15,88$	36	100 - 120
$\phi 19,05$	36	100 - 120

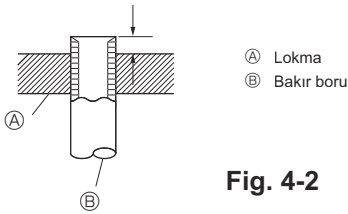


Fig. 4-2

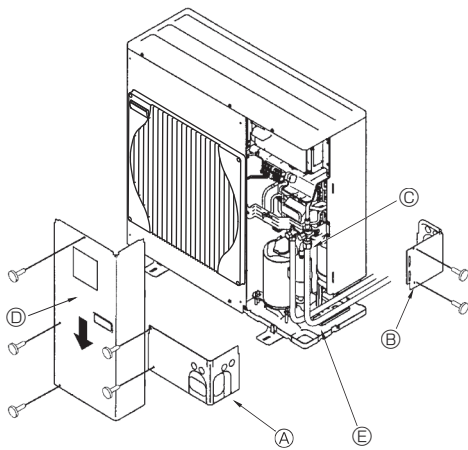


Fig. 4-3

Ⓐ Ön boru kapağı
Ⓑ Boru kapağı
Ⓒ Stop valfi
Ⓓ Bakım paneli
Ⓔ Şerit yarı çapı: 100 mm-150 mm

4.2. Boruların bağlanması (Fig. 4-1)

- Piyasada satılan bakır borular kullanıldığında, sıvı ve gaz borularını piyasada satılan yalıtım malzemeleriyle sarın (en az 100°C sıcaklığa dayanıklı olmalı veya en az 12 mm kalınlığında olmalıdır). Çıplak boruya doğrudan temas etmek yanmaya ve soğuk ısımasına neden olabilir.
- Drenaj borusunun bina içindeki aksamı polietilen köpük yalıtım malzemeleriyle sarılmalıdır (özgül ağırlığı 0,03 olmalı, kalınlığı en az 9 mm olmalıdır).
- Geçme somunu sıkmadan önce boru ve conta bağlantı yüzeylerine ince bir tabaka halinde soğutucu yağı uygulayınız. Ⓐ
- Boru bağlantılarını iki somun anahtarla sıkınız. Ⓑ
- Boru bağlantılarının yapılmasından sonra, bir kaçak dedektörü veya biraz sabunlu suyla gaz kaçağı olup olmadığını muayene ediniz.
- Bütün geçme yatağı yüzeyine soğutucu makine yağı sürünüz. Ⓒ
- Aşağıdaki boru büyüklüklerine uygun geçme somun kullanın. Ⓓ

Gaz tarafı	Boru büyüklüğü (mm)	SW50	SW75	SW100, 120
	$\phi 12,7$	$\phi 12,7$	$\phi 15,88$	$\phi 15,88$
Sıvı tarafı	Boru büyüklüğü (mm)	$\phi 6,35$	$\phi 9,52$	$\phi 9,52$

- Boruları bükerken kırmamaya dikkat edin. 100 mm ile 150 mm arasındaki bükme çapları yeterlidir.
- Boruların kompresöre değmemesine özen gösterin. Aksi takdirde anormal gürültü veya titreşim meydana gelebilir.
- ① Borular iç üniteden başlayarak döşenmelidir. Geçme somunlar tork anahtarı ile sıkılmalıdır.
- ② Sıvı borularını ve gaz borularını geçirin ve ince bir tabaka halinde soğutma yağı sürünüz (Yerinde uygulanır).
- Normal boru contası kullanıldığında, R410A soğutma borularının geçme işlemleri için Tablo 1'e başvurun.
- A ölçülerini doğrulamak için ebat ayarlama geyçi kullanılabilir.

Tablo 1 (Fig. 4-2)

Bakır boru O.D. (mm)	A (mm)	
	R410A için geçme aleti	Kavrama tipi
$\phi 6,35$ (1/4")	0 - 0,5	
$\phi 9,52$ (3/8")	0 - 0,5	
$\phi 12,7$ (1/2")	0 - 0,5	
$\phi 15,88$ (5/8")	0 - 0,5	
$\phi 19,05$ (3/4")	0 - 0,5	

⚠ Uyarı:

Ünitenin montajını yaparken, kompresörü çalıştırmadan önce soğutucu borularını sağlam şekilde bağlayın.

4.3. Soğutucu boruları (Fig. 4-3)

- SW50 için
Bakım paneli Ⓓ'yi çıkarın (1 vida).
- SW75-120 için
Bakım panelini Ⓓ (3 vida) ve ön boru kapağını Ⓐ (2 vida) ve arka boru kapağını Ⓑ (2 vida: SW75) (4 vida: SW100, 120) çıkarın.
- ① Dış ünitenin stop valfi tamamen kapandığında iç/dış ünite için soğutucu borusu bağlantılarını yapın.
- ② İç ünite ve bağlantı borusundaki havayı vakumla boşaltın.
- ③ Soğutucu borularını bağladıktan sonra, döşenmiş boruları ve iç üniteyi gaz kaçağına karşı kontrol edin. (4.4. Soğutucu borusu hava sızdırmazlığı test yöntemi bakın.)
- ④ -101 kPa (5 Torr) ulaştıktan sonra yeterli bir süre boyunca (en az bir saat) vakum oluşturarak boruların içini vakumla kurutmak için stop valfi servis portunda yüksek-performanslı bir vakum pompası kullanılmıştır. Her zaman geyç manifoldunda vakum derecesini kontrol edin. Eğer boruda herhangi bir nem kaldıysa, kısa-süreli vakum uygulanmasıyla vakum derecesine bazen ulaşamaz. Vakumla kurutmadan sonra, dış ünite için stop valfini (hem sıvı hem de gaz) tamamen açınız. Bu, iç ve dış soğutma devrelerini tamamen birbirine bağlar.
- Eğer vakumla kurutma yetersiz ise, soğutma devrelerinde kalan hava ve su buharı yüksek basıncın anormal yükselmesine, düşük basıncın anormal düşmesine, nemden dolayı dondurucu yağının bozulmasına vs. neden olabilir.
- Kesme vanaları kapalı bırakılır ve cihaz çalıştırılırsa, kompresör ve çek valf zarar görür.
- Dış ünitenin boru bağlantı yerlerinde kaçak dedektörü veya sabunlu su kullanarak gaz kaçağı kontrolü yapın.
- Soğutucu hatlarındaki havayı boşaltmak için cihazdan gelen soğutucuyu kullanmayın.
- Vana işlemi tamamlandıktan sonra, vana kapaklarını sıkarak torku düzeltin: 20 ila 25 N·m (200 ila 250 kgf·cm) arası. Kapakların yerine konmaması veya sıkıştırılmaması durumunda soğutucu kaçağı meydana gelebilir. Ayrıca, soğutucu kaçağına karşı conta görevi gördüklerinden, vana kapaklarının iç taraflarına zarar vermemeye dikkat edin.
- ⑤ Isı izolasyonuna su girmesini önlemek için, boru bağlantı yerlerinin etrafındaki ısı izolasyonunun uçlarını dolgu macunu ile sızdırmaz hale getirin.

4. Soğutucu borularının monte edilmesi

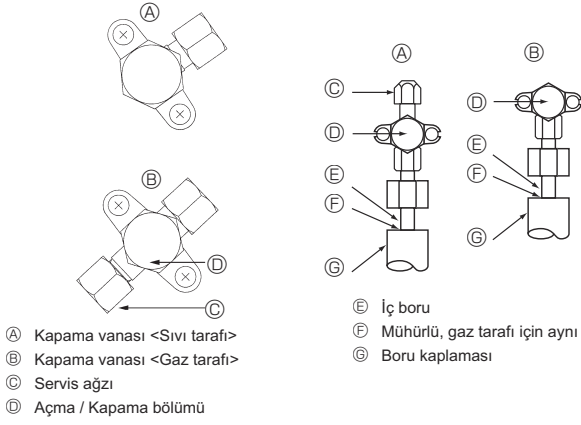


Fig. 4-4

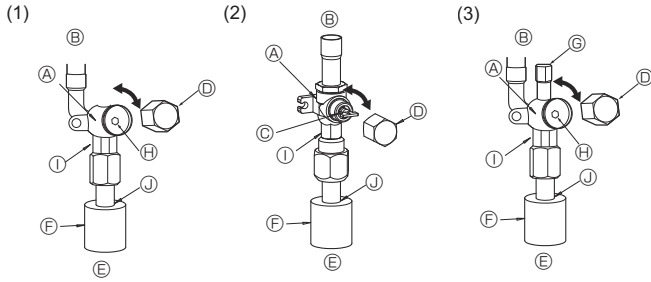


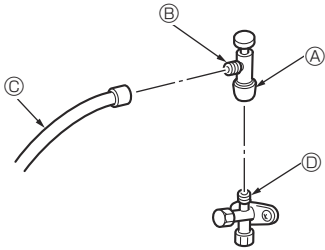
Fig. 4-5

Fig. 4-6

Fig. 4-7

- A Vana
- B Ünite tarafı
- C Kol
- D Kapak
- E İç boru tarafı
- F Boru kapağı
- G Servis ağız
- H Anahtar boşluğu

- I Çift gergi kısmı
(Bu kısım bundan başka bir gergi uygulaması için kullanılmamalıdır. Çünkü uygulanması halinde soğutucu kaçaklarına neden olur.)
- J Sızdırmazlık kısmı
(Isı izolasyon malzemesinin ucunun sızdırmazlığını elinizde olan herhangi bir sızdırmazlık malzemesi ile boru bağlantısı kısmında sağlayın ki ısı izolasyon malzemesine su girmesin.)



- * Sol taraftaki şekil yalnızca örnektir. Stop valfinin şekli, servis portu konumu vb. modele bağlı olarak değişiklik gösterebilir.
- * Yalnızca A bölümünü döndürün.
(A ve B bölümlerini daha fazla bir arada sıkmayın.)

- C Doldurma hortumu
- D Servis portu

Fig. 4-8

4.4. Soğutucu borusu hava sızdırmazlığı test yöntemi (Fig. 4-4)

- (1) Test araçlarını bağlayın.
 - A B kapama vanalarının kapalı olduğundan emin olun ve açmayın.
 - Sıvı kapama vanasının A servis noktasından C soğutucu hatlarına basınç ekleyin.
- (2) Belirtilen değerlerde basıncı birden eklemeyin, azar azar verin.
 - ① 0,5 Mpa'a (5 kgf/cm²G) kadar basınç verin, beş dakika bekleyin ve basıncın düşmediğinden emin olun.
 - ② 1,5 Mpa'a (15 kgf/cm²G) kadar basınç verin, beş dakika bekleyin ve basıncın düşmediğinden emin olun.
 - ③ 4,15 Mpa'a (41,5 kgf/cm²G) kadar basınç verin ve çevre sıcaklığını ve soğutucu basıncını ölçün.
- (3) Belirtilen değerlerdeki basınç bir gün süreyle sabit kalır ve düşmezse, borular testi geçmiş ve kaçak yok demektir.
 - Çevre sıcaklığı 1°C değişirse, basınç yaklaşık 0,01 MPa (0,1 kgf/cm²G) değişir. Gerekli düzeltmeleri yapın.
- (4) Basınç (2) ve (3) adımda düşerse, gaz kaçağı var demektir. Gaz kaçağının kaynağını araştırın.

4.5. Kapama vanasını açma yöntemi

Stop valfi açma metodu dış ünite modeline göre değişir. Stop valfleri açmak için uygun olan metodu kullanın.

- (1) SW75 modellerinin gaz tarafı (Fig. 4-5)
 - ① Başlığı çıkarın ve 5 mm'lik bir altıgen somun anahtarıyla vana çubuğunu gidebileceği yere kadar saat yönünün tersine döndürün. Tampona dayanınca döndürmeye son verin.
(ø15,88: Yaklaşık 13 devir)
 - ② Stop valfinin tamamen açık olduğundan emin olun ve başlığı çevirerek tekrar ilk konumuna getirin.
 - (2) SW100, 120 modellerinin gaz tarafı (Fig. 4-6)
 - ① Kapağı çıkarın, kolu kendinize doğru çekip saat yönünün tersine 1/4 devir çevirerek açın.
 - ② Stop valfinin tamamen açık olduğundan emin olun, kolu içeri itin ve başlığı çevirerek tekrar ilk konumuna getirin.
 - (3) SW75-120 modellerinin sıvı tarafı ve SW50-75 modellerinin Gaz/Sıvı tarafı (Fig. 4-7)
 - ① Başlığı çıkarın ve 4 mm'lik bir altıgen somun anahtarıyla vana çubuğunu gidebileceği yere kadar saat yönünün tersine döndürün. Tampona dayanınca döndürmeye son verin.
(ø9,52: Yaklaşık 10 devir)
 - ② Stop valfinin tamamen açık olduğundan emin olun, kolu içeri itin ve başlığı çevirerek tekrar ilk konumuna getirin.
- Soğutucu boruları SW75-120 modellerinde koruma amaçlı olarak sarılırlar
- Borular, bağlanmadan önce veya bağlandıktan sonra koruma amacıyla ø90'lık bir çapa ulaşacak şekilde sarılırlar. Boru kaplamasındaki parçayı yarıktan itibaren kesip atın ve boruları sarın.
- SW75-120 için boru giriş boşluğu
- Boru girişindeki boruların etrafını macunla veya sızdırmaz madde ile hiç boşluk kalmayacak şekilde kapatın.
(Boşluklar kapatılmadığı takdirde, gürültü yayılır veya cihaza toz veya su girecek bozulmasına neden olabilir.)

Doldurma valfi kullanılırken alınması gereken önlemler (Fig. 4-8)

- Servis portunu takarken çok fazla sıkmayın aksi takdirde, valf gövdesi deforme olabilir, gevşeyebilir ve gaz sızıntısına neden olur.
- B bölümünü belirtilen yönde konumlandırdıktan sonra yalnızca A bölümünü döndürün ve sıkın.
- A bölümünü sıkıktan sonra A ve B bölümünü bir arada daha fazla sıkmayın.

4.6. Soğutucu madde eklenmesi

- Boru uzunluğu 10 m'yi geçmiyorsa, cihaza ilave doldurma yapmak gerekmez.
- Boru uzunluğu 10 m'den fazla ise, aşağıdaki tabloda yer alan izin verilen boru uzunluklarına göre ilave R410A soğutucu ekleyin.
 - * Cihaz çalışmazken, boru uzatmaları ve iç ünite vakumlandıktan sonra, sıvı kesme vanasından cihaza soğutucu ilavesi yapın.
 - Cihaz çalışırken, güvenli dolum cihazı kullanarak gaz çek valfine soğutucu ekleyin. Sıvı soğutucuyu doğrudan çek valfe eklemeyin.
 - * Cihaza soğutucu ekledikten sonra, eklenen soğutucu miktarını servis etiketine (cihaza tutturulmuş olan) yazın.
 - Daha fazla bilgi için, "1.4. R410A soğutuculu dış ünitelerin kullanımı" na bakın.

- Birden fazla üniteyi monte ederken dikkatli olun. Hatalı bir iç ünitenin bağlanması anormal derecede yüksek basınçların oluşmasına yol açarak çalışma performansı üzerinde ciddi etkiler yaratabilir.

Modeller	İzin verilen boru uzunluğu	İzin verilen dikey fark	İlave soğutucu dolm miktarı					
			11 - 20 m	21 - 30 m	31 - 40 m	41 - 50 m	51 - 60 m	61 - 75 m
SW50	2 m - 40 m	-30 m	0,2 kg	0,4 kg	0,6 kg	—	—	—
SW75	2 m - 40 m	-30 m	0,15 kg	0,3 kg	0,6 kg	—	—	—
SW100, 120	2 m - 75 m	-30 m	0,2 kg	0,4 kg	1,0 kg	1,6 kg	2,2 kg	2,8 kg

5. Drenaj Tesisatı İşleri

Dış ünite drenaj borusu bağlantısı

Drenaj borusu gerekli olduğu zaman, drenaj soketini veya drenaj çanağını (isteğe bağlı aksam) kullanın.

	SW50	SW75	SW100, 120
Drenaj soketi	PAC-SJ08DS-E	PAC-SG61DS-E	
Drenaj çanağı	PAC-SG63DP-E	PAC-SG64DP-E	

6. Su tesisatı İşleri

Minimum su miktarı

Su devresinde aşağıdaki su miktarı gereklidir.

Model	Minimum su miktarı (L)
SW50	22
SW75	32
SW100	43
SW120	54

Üniteyi soğutma modunda düşük ortam sıcaklığında çalıştırırken donma koruması önlemi aldığınızdan emin olun (0°C altında).

7. Elektrik İşleri

7.1. Dış ünite (Fig. 7-1, Fig. 7-2)

- 1 Servis panelini sökün.
- 2 Fig. 7-1 ve Fig. 7-2'ye bakarak kabloları bağlayın.

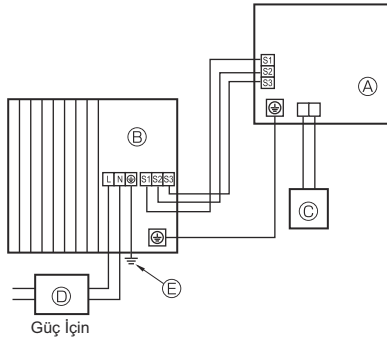
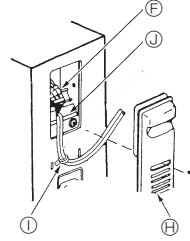


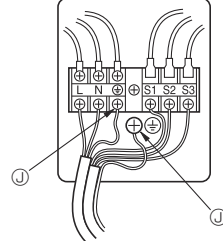
Fig. 7-1

- A İç ünite (Arayüz birimi/
Akış sıcaklık kontrolü)
- B Dış ünite
- C Uzaktan kumanda
- D Ana şalter
(Toprak sızıntısı kesici)
- E Topraklama

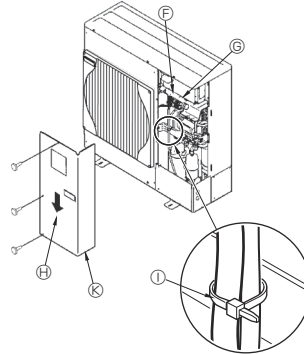
SW50



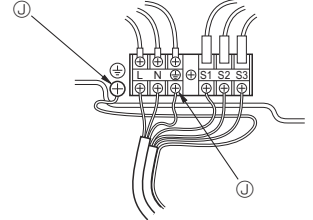
SW50



SW75-120



SW75-120V



SW100, 120Y

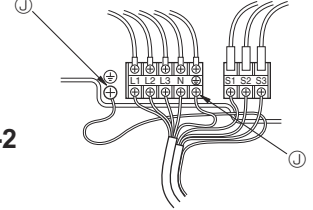


Fig. 7-2

- F Terminal blok
- G İç/dış bağlantı terminal bloğu (S1, S2, S3)
- H Servis paneli
- I Kelepçe
- * Kabloları servis panosunun ortasına ya da gaz valfine temas etmeyecek şekilde kelepçeyle bağlayın.
- J Toprak bağlantısı
- K Kabloları servis panelinin merkezine temas etmeyecek şekilde döşeyin.

Not:

Elektrik kutusunun koruyucu kılıfı servis sırasında çıkartılmışsa, geri takıldı-
ğından emin olun.

⚠ Dikkat:

N Hattını bağladığınızdan emin olun. N Hattı olmazsa, üniteye hasara yol açar.

7. Elektrik işleri

7.2. Alan elektrik kablo bağlantıları

Dış ünite modeli	SW50V	SW75V	SW100V	SW120V	SW100, 120Y
Dış ünite güç kaynağı	~/N (Tek), 50 Hz, 230 V	~/N (Tek), 50 Hz, 230 V	~/N (Tek), 50 Hz, 230 V	~/N (Tek), 50 Hz, 230 V	3N~ (3 faz 4-telli), 50 Hz, 400 V
Dış ünite giriş kapasitesi Ana şalter (Ayrıcı) *1	16 A	25 A	32 A	40 A	16 A
Kablo bağlantıları Kablolu No. x Çap (mm²)	Dış ünite güç kaynağı	3 x Min. 1,5	3 x Min. 2,5	3 x Min. 4	5 x Min. 1,5
	İç ünite-Dış ünite	3 x 1,5 (Kutup)	3 x 1,5 (Kutup)	3 x 1,5 (Kutup)	3 x 1,5 (Kutup)
	İç ünite-Dış ünite topraklaması	1 x Min. 1,5	1 x Min. 1,5	1 x Min. 1,5	1 x Min. 1,5
	Uzaktan kumanda ünitesi/İç ünite Bağlantı	2 x 0,3 (Kutupsuz)	2 x 0,3 (Kutupsuz)	2 x 0,3 (Kutupsuz)	2 x 0,3 (Kutupsuz)
Devrenin rejim değeri	Dış ünite L-N (Tek)	230 VAC	230 VAC	230 VAC	230 VAC
	Dış ünite L1-N, L2-N, L3-N (3 faz)	230 VAC	230 VAC	230 VAC	230 VAC
	İç ünite-Dış ünite S1-S2	230 VAC	230 VAC	230 VAC	230 VAC
	İç ünite-Dış ünite S2-S3	24 VDC	24 VDC	24 VDC	24 VDC
Uzaktan kumanda ünitesi/İç ünite Bağlantı	12 VDC	12 VDC	12 VDC	12 VDC	12 VDC

*1. Her kuptan en az 3,0 mm temas aralığı bırakarak, topraklama devre kesicisi (NV) kullanın.

Akım kaçığı devre kesicisinin yüksek harmoniklerle uyumlu olduğundan emin olun.

Bu ünite bir redresörle donatıldığı için daima yüksek harmoniklerle uyumlu bir akım kaçığı devre kesicisi kullanın.

Uyumsuz bir devre kesicinin kullanılması, dönüştürücünün (inverter) yanlış çalışmasına neden olabilir.

*2. Maks. 45 m

2,5 mm² kullanılırsa, Maks. 50 m

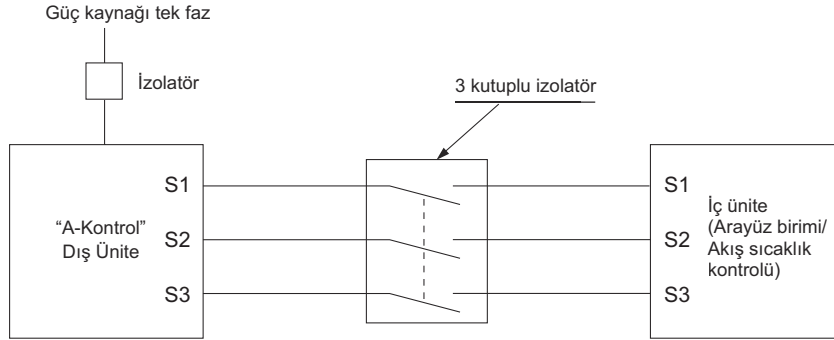
2,5 mm² kullanılırsa ve S3 ayrılırsa, Maks. 80 m

*3. Uzaktan kumanda aksesuarına 10 m uzunluğunda kablo bağlanmıştır.

*4. Rakamlar, her zaman toprağa karşı DEĞİLDİR.

S3 bağlantısı, S2 bağlantısının yanında 24 VDC gerilim kullanır. S3 ve S1 arasındaki bu bağlantılar, transformatör veya başka bir cihaz tarafından elektriksel olarak yalıtılmamıştır.

- Notlar:**
1. Kablo boyutu, ilgili yerel ve ulusal yönetmelige uygun olmalıdır.
 2. Elektrik besleme ve İç ünite/Dış ünite bağlantı kabloları polikloropren kılıflı esnek kablodan hafif olmalıdır (60245 IEC 57 tasarımı).
 3. Arayüz birimi/Akış sıcaklık kontrolü ile dış ünite arasındaki kabloları doğrudan doğruya ünitelere bağladığınızdan emin olun (ara bağlantılara izin verilmez).
Ara bağlantılar iletişim hatalarına neden olabilir. Ara bağlantı noktalarından su girecek olursa, yetersiz topraklama yalıtımına ya da zayıf elektrik kontağına neden olabilir.
(Eğer ara bağlantı gerektiyse, suyun kabloları girmesini engelleyecek önlemleri almayı unutmayın.)
 4. Diğer kablolardan daha uzun bir topraklama kablosu monte edin.
 5. Güç kaynağı sık sık açılıp kapatılan (ON ve OFF konuma getirilen) bir sistem kurmayın.

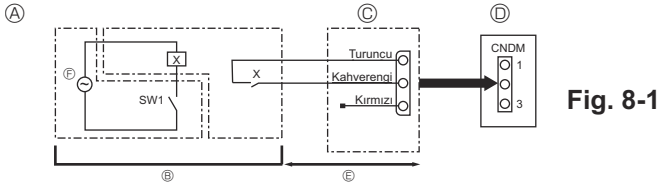


⚠ Uyarı:

- A-kumanda kablosu için güç hattı ile iletişim sinyal hattı arasında elektrik yalıtımı yapılmamış olan elektrik devresi dizaynından kaynaklanan S3 terminalinde yüksek gerilim riski bulunmaktadır. Dolayısıyla servis yaparken ana güç beslemeyi lütfen kapatın. Ve güç verildiğinde S1, S2, S3 terminallerine dokunmayın. İzolatorün iç ve dış üniteler arasında kullanılması halinde lütfen 3 kutuplu tipi kullanın.

Güç kablosunu ya da iç-dış bağlantı kablosunu asla birbirine bağlamayın, aksi takdirde duman, yangın ya da iletişim hatasına neden olabilir.

8. Özel fonksiyonlar



- Ⓐ Devre şema örneği (düşük sesli mod)
 Ⓑ Yerinde düzenleme
 Ⓒ Harici giriş adaptörü (PAC-SC36NA-E)
 Ⓓ Dış ünite kontrol panosu
 Ⓔ Maks. 10 m
 Ⓕ Röle güç kaynağı
 X: Röle

8.1. Düşük sesli mod (yerinde değişiklik) (Fig. 8-1)

Aşağıdaki modifikasyonu gerçekleştirerek, dış ünitenin çalışma gürültüsü yaklaşık 3-4 dB düşürülebilir.

Dış ünitenin kontrol panosu üzerindeki CNDM konektörüne (isteğe bağlı) piyasada bulunan bir zamanlayıcı veya AÇMA/KAPAMA düğmesinin kontakt girişi eklendiği takdirde, düşük sesli mod devreye girecektir.

- Bu işlev dışarıdaki sıcaklık ve şartlara, vb. bağlı olarak değişir.

- ① Harici giriş adaptörü (PAC-SC36NA-E) kullanırken, devreyi gösterdiği şekilde tamamlayın. (İsteğe bağlı)
- ② SW7-1 (Dış ünite kontrol panosu): OFF
- ③ SW1 ON konumunda iken: Düşük sesli mod
SW1 OFF konumunda iken: Normal çalışma

8.2. Soğutucu çekme işlemi (pompalama)

İç üniteyi veya dış üniteyi taşıırken soğutucuyu çekmek için aşağıdaki prosedürleri uygulayın.

- ① Elektrik verin (devre kesici).
 - * Elektrik verildiğinde uzaktan kumandanın ekranında "CENTRALLY CONTROL-LED" yazmadığından emin olun. "CENTRALLY CONTROLLED" yazıyorsa, soğutucu çekme işlemi (pompalama) normal şekilde gerçekleştirilemez.
 - * Güç (devre kesici) ON (Açık) konuma getirildikten sonra iç ve dış ünite iletişiminin başlaması yaklaşık 3 dakika sürer. Güç (devre kesici) ON (Açık) konuma getirildikten 3 - 4 dakika sonra aşağı pompalama işlemini başlatın.
 - * Çoklu ünite kontrolü kullanılıyorsa, gücü açık konuma getirirmeden önce ana iç ünite ile bağımlı iç ünite arasındaki kabloların bağlantısını kesin. Daha ayrıntılı bilgi için, iç ünite montaj kılavuzuna bakın.
- ② Sıvı vanası kapatıldıktan sonra, dış ünitenin kontrol panosu üzerindeki SWP düğmesini ON konumuna getirin. Kompresör (dış ünite) ve vantilatörler (iç ve dış üniteler) çalışmaya başlar ve soğutucu çekme işlemine başlanır. Dış ünitenin kontrol panosu üzerinde bulunan LED1 ve LED2 yanar.
 - * Ünite durursa, yalnızca SWP düğmesini (basmalı tip olan) ON konumuna getirin. Ancak, ünite durursa ve SWP düğmesi kompresör durduktan sonra 3 dakikadan az bir sürede ON konumuna getirilirse, soğutucu çekme işlemi yapılamaz. Kompresörün 3 dakika durmasını bekleyin ve SWP düğmesini tekrar ON konumuna getirin.

- ③ Soğutucu toplama işlemi tamamlandıktan sonra (LED1 kapalı, LED2 açık) ünite 2, 3 dakika içinde otomatik olarak kapandığından gaz durdurma vanasını vakit kaybetmeden kapattığınızdan emin olun. Eğer, dış ünite durduğu halde LED1 yanıyor ve LED2 kapalıysa soğutucu toplama işlevi düzgün şekilde gerçekleştirilememiş demektir. Sıvı durdurma vanasını tamamen açın ve 3 dakika bekledikten sonra ② adımı tekrarlayın.
 - * Soğutucu toplama işlemi düzgün şekilde tamamlandıysa (LED1 kapalı, LED2 açık), güç kesilene kadar ünite çalışmama durumunu korur.
- ④ Elektriği kesin (devre kesici).
 - * Uzatma borusu uzun ve soğutucu miktarı fazlaysa aşağı pompalama işlemi yapmak mümkün olmayabilir. Aşağı pompalama işlemini gerçekleştirirken, düşük basıncın yaklaşık 0 MPA'ya (gösterge) düşürüldüğünden emin olun.

⚠ Uyarı:

Soğutucu pompalaması yaparken, soğutucu borularının bağlantısını kesmeden önce kompresörü durdurun. Kompresöre hava vb. girerse kompresör patlayabilir.

9. Sistem kontrolü

Soğutma komutunu dış ünitenin Seçme anahtarını kullanarak ayarlayın.

SW1 İşlevi Ayarı

SW1 Ayarı	Soğutma komutu	SW1 Ayarı	Soğutma komutu
ON OFF 3 4 5 6 7	00	ON OFF 3 4 5 6 7	03
ON OFF 3 4 5 6 7	01	ON OFF 3 4 5 6 7	04
ON OFF 3 4 5 6 7	02	ON OFF 3 4 5 6 7	05

Not:

- a) 6 adede kadar ünite bağlanabilir.
- b) Tüm üniteler için tek bir model seçin.
- c) İç ünitenin Seçme anahtarları ayarları için, iç ünitenin montaj kılavuzuna bakın.

10. Özellikler

Dış ünite modeli	PUHZ-SW50VKA	PUHZ-SW75VHA	PUHZ-SW100VHA	PUHZ-SW120VHA	PUHZ-SW100YHA	PUHZ-SW120YHA		
Güç beslemesi	V / Faz / Hz					230 / Tekli / 50	400 / Üç / 50	
Boyutlar (Y x G x D)	mm	809 x 630 x 360	950 x 943 x 330(+30)	950 x 1350 x 330(+30)				
Ses Seviyesi *1								
SPL	Isıtma	dB(A)	46	51	54	54	54	
	Soğutma	dB(A)	46	48	50	51	50	51
PWL	Isıtma	dB(A)	63	69	70	72	70	72

*1 Anma çalışma frekansında ölçülür.

Содержание

1. Меры предосторожности.....	101	6. Прокладка водопроводных труб.....	107
2. Место установки	102	7. Электрические работы	107
3. Установка наружного прибора	104	8. Специальные функции	109
4. Прокладка труб хладагента	104	9. Управление системой	109
5. Дренажные трубы	107	10. Спецификации	109

⚠ Осторожно:

- Не выпускайте R410A в атмосферу:
- R410A является фторированным парниковым газом, использование которого ограничивается Киотским протоколом; потенциал глобального потепления (GWP) данного газа равен 1975.

1. Меры предосторожности

- ▶ До установки прибора убедитесь, что Вы прочли все “Меры предосторожности”.
- ▶ Пожалуйста, проконсультируйтесь с органами электроснабжения до подключения системы.

⚠ Предупреждение:

Описывает меры предосторожности, необходимые для предотвращения получения травмы или гибели пользователя.

⚠ Осторожно:

Описывает меры предосторожности, необходимые для предотвращения повреждения прибора.

⚠ Предупреждение:

- Прибор не должен устанавливаться пользователем. Для выполнения установки прибора обратитесь к дилеру или сертифицированному техническому специалисту. Неправильная установка аппарата может повлечь за собой протечку воды, удар электрическим током или возникновение пожара.
- При установочных работах следуйте инструкциям в Руководстве по установке. Используйте инструменты и детали трубопроводов, специально предназначенные для использования с хладагентом марки R410A. Хладагент R410A в HFC-системе находится под давлением в 1,6 раза большим, чем давление, создаваемое при использовании обычных хладагентов. Если компоненты трубопроводов не предназначены для использования с хладагентом R410A, и аппарат установлен неправильно, трубы могут лопнуть и причинить повреждение или нанести травму. Кроме того, это может привести к утечке воды, поражению электрическим током или возникновению пожара.
- Прибор должен быть установлен согласно инструкциям, чтобы свести к минимуму риск повреждения от землетрясений, тайфунов или сильных порывов ветра. Неправильно установленный прибор может упасть и причинить повреждение или нанести травму.
- Прибор должен быть установлен на конструкции, способной выдержать его вес. Прибор, установленный на неустойчивой конструкции, может упасть и причинить повреждение или нанести травму.
- Если наружный прибор установлен в небольшом помещении, необходимо принять меры для предотвращения концентрации хладагента свыше безопасных пределов в случае утечки хладагента. Проконсультируйтесь у дилера относительно соответствующих мер, предотвращающих превышения допустимой концентрации. В случае утечки хладагента и превышении допустимой его концентрации из-за нехватки кислорода в помещении может произойти несчастный случай.
- Если во время работы прибора произошла утечка хладагента, проветрите помещение. При контакте хладагента с пламенем образуются ядовитые газы.
- Все электроработы должны выполняться квалифицированным техническим специалистом в соответствии с местными правилами и инструкциями, приведенными в данном Руководстве. Приборы должны быть подключены к специально выделенным линиям электропитания с соответствующим напряжением через автоматические выключатели. Использование линий электропитания недостаточной мощности или неправильно проведенных линий может привести к поражению электрическим током или возникновению пожара.
- Для соединения медных или медносплавных бесшовных труб, предназначенных для хладагента, используйте медный фосфор C1220. Если трубы

После окончания установочных работ проинструктируйте пользователя относительно правил эксплуатации и обслуживания аппарата, а также ознакомьте с разделом “Мера предосторожности” в соответствии с информацией, приведенной в Руководстве по использованию аппарата, и выполните тестовый прогон аппарата для того, чтобы убедиться, что он работает нормально. Обязательно передайте пользователю на хранение экземпляры Руководства по установке и Руководства по эксплуатации. Эти Руководства должны быть переданы и последующим пользователям данного прибора.

⊥ : Указывает, что данная часть должна быть заземлена.

⚠ Предупреждение:

Внимательно прочтите текст на этикетках главного прибора.

соединены неправильно, прибор не будет должным образом заземлен, что может привести к поражению электрическим током.

- Используйте для проводки указанные кабели. Убедитесь, что кабели надежно соединены, а оконечные соединения не натянуты. Никогда не соединяйте кабели внахлест (если иное не указано в прилагаемой документации). Несоблюдение этих инструкций может привести к перегреву или возгоранию.
- Крышка наружного прибора должна быть надежно присоединена к прибору. Если крышка установлена неправильно, в прибор могут попасть пыль и влага, что может привести к поражению электрическим током или возникновению пожара.
- При монтаже или перемещении, а также при обслуживании наружного прибора используйте только указанный хладагент (R410A) для заполнения трубопроводов хладагента. Не смешивайте его ни с каким другим хладагентом и не допускайте наличия воздуха в трубопроводах. Наличие воздуха в трубопроводах может вызывать скачки давления, в результате которых может произойти взрыв или другие повреждения. Использование любого хладагента, отличного от указанного для этой системы, вызовет механическое повреждение, сбой в работе системы, или выход устройства из строя. В наихудшем случае, это может послужить серьезной преградой к обеспечению безопасной работы этого изделия.
- Используйте только те дополнительные принадлежности, на которые имеется разрешение от Mitsubishi Electric; для их установки обратитесь к дилеру или уполномоченному техническому специалисту. Неправильная установка дополнительных принадлежностей может привести к протечке воды, поражению электрическим током или возникновению пожара.
- Не изменяйте конструкцию прибора. При необходимости ремонта обратитесь к дилеру. Если изменения или ремонт выполнены неправильно, это может привести к протечке воды, удару электрическим током или возникновению пожара.
- Пользователю не следует пытаться ремонтировать прибор или перемещать его на другое место. Если прибор установлен неправильно, это может привести к утечке воды, удару электрическим током или возникновению пожара. Если необходимо отремонтировать или переместить наружный прибор, обратитесь к дилеру или уполномоченному техническому специалисту.
- По окончании установки убедитесь в отсутствии утечки хладагента. Если хладагент проникнет в помещение и произойдет контакт его с пламенем обогревателя или переносного пищевого нагревателя, образуются ядовитых газов.

1.1. Перед установкой

⚠ Осторожно:

- Не используйте прибор в нестандартной окружающей среде. Установка наружного прибора в местах, подверженных воздействию пара, летучих масел (включая машинное масло) или сернистых испарений, местах с повышенной концентрацией соли (таких, как берег моря), или местах, где прибор будет засыпан снегом, может привести к значительному снижению эффективности работы прибора или повреждению его внутренних частей.
- Не устанавливайте прибор в местах, где возможна утечка, возникновение, приток или накопление горючих газов. Если горючий газ будет накапливаться вокруг прибора, это может привести к возникновению пожара или взрыву.
- При использовании режима обогрева на наружном приборе образуется кон-

денсат. Удостоверьтесь, что обеспечен хороший дренаж в районе наружного прибора, если этот конденсат может принести какой-либо вред.

- При монтаже прибора в больнице или центре связи примите во внимание шумовое и электронное воздействие. Работа таких устройств, как инверторы, бытовые приборы, высокочастотное медицинское оборудование и оборудование радиосвязи может вызвать сбой в работе наружного прибора или его поломку. Наружный прибор также может повлиять на работу медицинского оборудования и медицинское обслуживание, работу коммуникационного оборудования, вызывая искажение изображения на дисплее.

1. Меры предосторожности

1.2. Перед установкой (перемещением)

⚠ Осторожно:

- Соблюдайте особую осторожность при транспортировке или установке приборов. Прибор должны переносить два или более человека, поскольку он весит не менее 20 кг. Не поднимайте прибор за упаковочные ленты. При извлечении прибора из упаковки или при его перемещении используйте защитные перчатки, во избежание травмирования рук о пластины или о другие выступающие части.
- Утилизируйте упаковочные материалы надлежащим образом. Упаковочные материалы, такие, как гвозди и другие металлические или деревянные части, могут поранить или причинить другие травмы.

- Необходимо периодически производить проверку основного блока наружного прибора и установленных на нем компонентов на разболтанность, наличие трещин или других повреждений. Если такие дефекты оставить неисправленными, прибор может упасть и причинить повреждение или нанести травму.
- Не мойте наружный прибор водой. Это может привести к поражению электрическим током.
- Затягивайте все хомуты на муфтах в соответствии со спецификациями, используя ключ с регулируемым усилием. Слишком сильно затянутый хомут муфты по прошествии некоторого времени может сломаться, что вызовет утечку хладагента.

1.3. Перед электрическими работами

⚠ Осторожно:

- Обязательно установите автоматические выключатели. В противном случае возможно поражение электрическим током.
- Используйте для электропроводки стандартные кабели, рассчитанные на соответствующую мощность. В противном случае может произойти короткое замыкание, перегрев или пожар.
- При монтаже кабелей питания не прикладывайте растягивающих усилий. Если соединения ненадежны, кабель может отсоединиться или порваться, что может привести к перегреву или возникновению пожара.

- Обязательно заземлите прибор. Не присоединяйте провод заземления к газовым или водопроводным трубам, громоотводам или телефонным линиям заземления. Отсутствие надлежащего заземления может привести к поражению электрическим током.
- Используйте автоматические выключатели (прерыватель утечки тока на землю, разъединитель (плавкий предохранитель +В) и предохранитель корпуса) с указанным предельным током. Если предельный ток автоматического выключателя больше, чем необходимо, может произойти поломка или пожар.

1.4. Использование наружных приборов с хладагентом R410A

⚠ Осторожно:

- Для соединения медных или медносплавных бесшовных труб, предназначенных для хладагента, используйте медный фосфор C1220. Удостоверьтесь, что внутри трубы чисты и не содержат никаких вредных загрязнителей, таких как соединения серы, окислители, мелкий мусор или пыль. Используйте трубы указанной толщины. (См. 4.1.) При использовании имеющихся труб, которые применялись для хладагента R22, обратите внимание на следующее.
 - Замените хомуты на муфтах и перезатяните соединенные секции.
 - Не используйте тонкие трубы. (См. 4.1.)
- Храните трубы, предназначенные для установки в закрытом помещении, запечатанными, а также оставьте запечатанными их концы; распаковывайте их непосредственно перед пайкой. (Оставьте коленчатые трубы и т.д. в упаковке.) Если пыль, мелкий мусор или влага попадут в трубопроводы хладагента, может произойти порча масла или поломка компрессора.
- Используйте в качестве масла охлаждения для покрытия соединительных муфт масло сложного или простого эфира или алкилбензол (в небольшом количестве). Если в масле охлаждения присутствует минеральное масло, может произойти порча масла.
- Используйте только хладагент R410A. В случае использования другого хладагента хлор может испортить масло.

- Используйте нижеперечисленные инструменты, специально предназначенные для работы с хладагентом R410A. Для работы с хладагентом R410A необходимы следующие инструменты. При возникновении каких-либо вопросов обратитесь к ближайшему дилеру.

Инструменты (для R410A)	
Набор шаблонов	Инструмент для затяжки муфт
Шланг зарядки	Калибр регулирования размера
Детектор утечки газа	Адаптер вакуумного насоса
Ключ с регулируемым усилием	Электронный измеритель зарядки хладагента

- Используйте только специальные инструменты. Попадание пыли, мелкого мусора или влаги в трубопроводы хладагента может привести к порче масла охлаждения.
- Не используйте для зарядки баллон. Использование баллона для зарядки приведет к изменению состава хладагента и снижению эффективности работы прибора.

2. Место установки

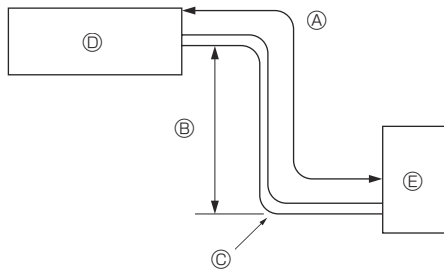


Fig. 2-1

2.1. Трубы хладагента (Fig. 2-1)

- ▶ Убедитесь в том, что перепад высоты между внутренним и наружным приборами, длина трубы хладагента и число изгибов в трубе не превышают указанных ниже пределов.

Модель	Ⓐ Длина трубы (в одну сторону)	Ⓑ Перепад высоты	Ⓒ Число изгибов (в одну сторону)
SW50	2 м - 40 м	макс. 30 м	макс. 15
SW75	2 м - 40 м	макс. 30 м	макс. 15
SW100, 120	2 м - 75 м	макс. 30 м	макс. 15

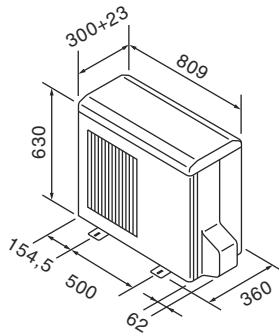
- Соблюдение ограничений по разнице в высоте является обязательным вне зависимости от того, какой прибор устанавливается выше – внутренний или наружный.

- Ⓓ Внутренний прибор
- Ⓔ Наружный прибор

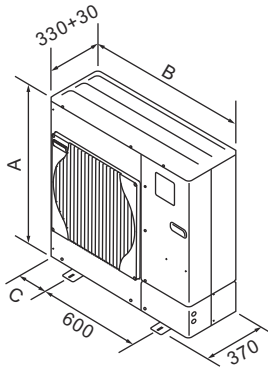
2. Место установки

■ SW50

(мм)



■ SW75, 100, 120



Модель	A (мм)	B (мм)	C (мм)
SW75	943	950	175
SW100	1350	950	175
SW120	1350	950	175

Fig. 2-2

2.2. Выбор места установки наружного прибора

- Не устанавливайте прибор в местах, подверженных воздействию прямых солнечных лучей или других источников нагрева.
- Выберите такое размещение, чтобы шум при работе прибора не беспокоил окружающих.
- Выберите место, удобное для проведения кабелей и трубопроводов к источнику питания и внутреннему прибору.
- Не устанавливайте прибор в местах, где возможна утечка, возникновение, приток или накопление горючих газов.
- Примите во внимание, что во время работы прибора из него может капать вода.
- Выберите место, способное выдержать вес и вибрацию прибора.
- Не устанавливайте прибор в местах, где он может быть засыпан снегом. В тех регионах, где возможны сильные снегопады, требуется принять специальные меры предосторожности (например, разместить прибор повыше или смонтировать на воздухозаборнике козырек) с целью предотвращения закупорки воздухозаборника снегом или прямого воздействия ветра. В противном случае возможно уменьшение потока воздуха, что может привести к сбою.
- Не устанавливайте прибор в местах, подверженных влиянию летучих масел, пара или сернистых испарений.
- Для транспортировки наружного прибора используйте четыре ручки, расположенные на приборе слева, справа, спереди и сзади. При переносе прибора за нижнюю часть можно придавить руки или пальцы.

2.3. Контурные габариты (Наружный прибор) (Fig. 2-2)

2.4. Вентиляция и сервисное пространство

2.4.1. Установка в местах, где возможен сильный ветер

При монтаже наружного прибора на крыше или другом месте, не защищенном от ветра, расположите вентиляционную решетку прибора так, чтобы она не подвергалась воздействию сильного ветра. Сильный ветер, дующий прямо в выходное отверстие, может препятствовать нормальному потоку воздуха, что может привести к сбою. Ниже приведены три примера соблюдения мер предосторожности против сильного ветра.

- ① Расположите прибор так, чтобы выходное отверстие было направлено к самой близкой из доступных стен на расстоянии около 50 см от стены. (Fig. 2-3)
- ② Установите дополнительный воздуховод, если прибор установлен в месте, где сильный ветер от тайфуна и т.д. может попасть непосредственно в вентиляционную решётку. (Fig. 2-4)
 - Ⓐ Воздуховод
- ③ По возможности разместите прибор так, чтобы воздух из выходного отверстия выдувался в направлении, перпендикулярном к сезонному направлению ветра. (Fig. 2-5)
 - Ⓑ Направление ветра

2.4.2. При установке одиночного наружного прибора (См. последнюю стр.)

Минимальные размеры включают, за исключением указанных Макс., значит Максимальных размеров, следующие размеры.

Цифры в скобках относятся к моделям SW100, 120.

См. соответствующие значения для каждого случая.

- ① Окружающие предметы - только сзади (Fig. 2-6)
- ② Окружающие предметы - только сзади и сверху (Fig. 2-7)
 - Не используйте дополнительные воздуховоды для восходящего потока воздуха.
- ③ Окружающие предметы - только сзади и с боковых сторон (Fig. 2-8)
 - * 350 для SW50
- ④ Окружающие предметы - только спереди (Fig. 2-9)
 - * При использовании дополнительного выходного воздуховода, расстояние для моделей SW100, 120 должно быть 500 мм или более.
- ⑤ Окружающие предметы - только спереди и сзади (Fig. 2-10)
 - * При использовании дополнительного выходного воздуховода, расстояние для моделей SW100, 120 должно быть 500 мм или более.
- ⑥ Окружающие предметы - только сзади, с боковых сторон и сверху (Fig. 2-11)
 - * 350 для SW50
 - Не используйте дополнительные воздуховоды для восходящего потока воздуха.

2.4.3. При установке нескольких наружных приборов (См. последнюю стр.)

Между приборами необходимо оставить 350 мм свободного пространства для SW50 и 10 мм для SW75-120 или более.

Цифры в скобках относятся к моделям SW100, 120.

См. соответствующие значения для каждого случая.

- ① Окружающие предметы - только сзади (Fig. 2-12)
- ② Окружающие предметы - только сзади и сверху (Fig. 2-13)
 - Не следует устанавливать рядом более трех приборов. Приборы должны находиться на указанном расстоянии друг от друга.
 - Не используйте дополнительные воздуховоды для восходящего потока воздуха.
- ③ Окружающие предметы - только спереди (Fig. 2-14)
 - * При использовании дополнительного воздуховода выходного отверстия, расстояние для моделей SW100, 120 должно быть 1000 мм или более.
- ④ Окружающие предметы - только спереди и сзади (Fig. 2-15)
 - * При использовании дополнительного воздуховода выходного отверстия, расстояние для моделей SW100, 120 должно быть 1000 мм или более.
- ⑤ Расположение приборов в один горизонтальный ряд (Fig. 2-16)
 - * При использовании дополнительного воздуховода выходного отверстия для восходящего потока воздуха, расстояние должно быть 500 (1000) мм или больше.
- ⑥ Расположение приборов в несколько горизонтальных рядов (Fig. 2-17)
 - * При использовании дополнительного воздуховода выходного отверстия для восходящего потока воздуха расстояние должно быть 1000 (1500) мм или более.
- ⑦ Расположение приборов вертикальными рядами (Fig. 2-18)
 - Можно вертикально расположить до двух приборов.
 - Рядом должно быть установлено не более двух вертикальных рядов. Приборы должны находиться на указанном расстоянии друг от друга.

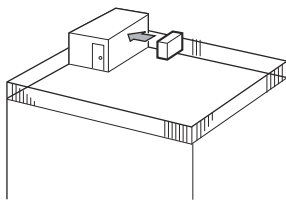


Fig. 2-3

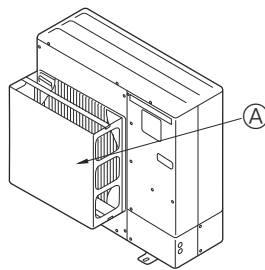


Fig. 2-4

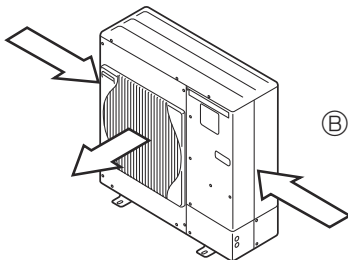
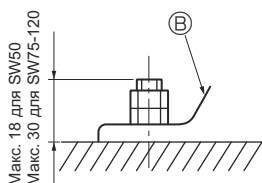
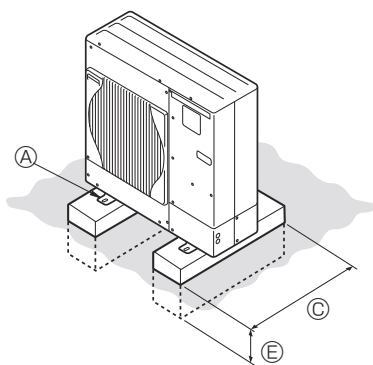


Fig. 2-5

3. Установка наружного прибора



- А Болт М10 (3/8")
- В Основание
- С Максимально возможная длина.
- Д Вентиль
- Е Установите глубоко в грунт

(мм)

- Обязательно устанавливайте прибор на твердой ровной поверхности для предотвращения его дребезжания во время эксплуатации. (Fig. 3-1)

<Требования к фундаменту>

Фундаментный болт	M10 (3/8")
Толщина бетона	120 мм
Длина болта	70 мм
Несущая способность	320 кг

- Убедитесь в том, что фундаментный болт в пределах 30 мм от нижней поверхности основания.
- Надежно прикрепите основание прибора с помощью четырех фундаментных болтов М10 к твердой поверхности.

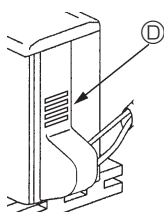
Установка наружного прибора

- Не блокируйте вентиль. Если вентиль заблокирован, это будет препятствовать работе, что может привести к поломке.
- Кроме предусмотренных изначально, используйте установочные отверстия в задней стенке прибора для подсоединения проводов и т.д., если возникнет такая необходимость. Для установки на место используйте шурупы-саморезы (ø5 × Нe более 15 мм).

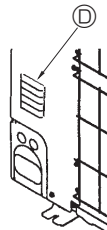
⚠ Предупреждение:

- Прибор должен быть установлен на конструкции, способной выдержать его вес. Прибор, установленный на неустойчивой конструкции, может упасть и причинить повреждение или нанести травму.
- Прибор должен быть установлен согласно инструкциям, чтобы свести к минимуму риск повреждения от землетрясений, тайфунов или сильных порывов ветра. Неправильно установленный прибор может упасть и причинить повреждение или нанести травму.

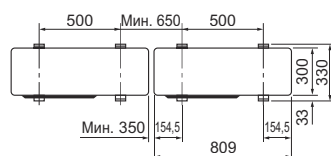
■ SW50



■ SW75-120



■ SW50



■ SW75-120

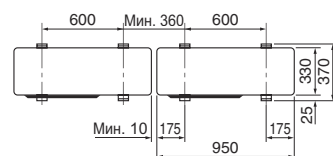


Fig. 3-1

4. Прокладка труб хладагента

4.1. Меры предосторожности для устройств, в которых используется хладагент марки R410A

- См. 1.4. на которой приведены не перечисленные ниже меры предосторожности относительно использования наружных приборов с хладагентом R410A.
- Используйте в качестве масла охлаждения для покрытия соединительных муфт масло сложного или простого эфира или алкинбензол (небольшое количество).
- Для соединения медных или медносплавных бесшовных труб, предназначенных для хладагента, используйте медный фосфор С1220. Используйте трубы для хладагента соответствующей толщины для каждого случая; значения толщины приведены в таблице ниже. Удостоверьтесь, что внутри трубы чисты и не содержат никаких вредных загрязнителей, таких, как соединения серы, окислители, мелкий мусор или пыль. Во время твердой пайки труб всегда используйте неокисляющийся припой, иначе компрессор выйдет из строя.

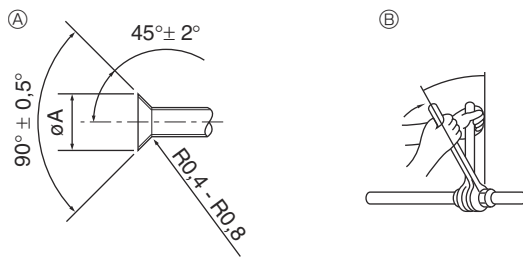
⚠ Предупреждение:

При монтаже или перемещении, а также при обслуживании наружного прибора используйте только указанный хладагент (R410A) для заполнения трубопроводов хладагента. Не смешивайте его ни с каким другим хладагентом и не допускайте наличия воздуха в трубопроводах. Наличие воздуха в трубопроводах может вызывать скачки давления, в результате которых может произойти взрыв или другие повреждения. Использование любого хладагента, отличного от указанного для этой системы, вызовет механическое повреждение, сбой в работе системы, или выход устройства из строя. В наихудшем случае, это может послужить серьезной преградой к обеспечению безопасной работы этого изделия.

Размер трубы (мм)	ø6,35	ø9,52	ø12,7	ø15,88	ø19,05	ø22,2	ø25,4	ø28,58
Толщина (мм)	0,8	0,8	0,8	1,0	1,0	1,0	1,0	1,0

- Не используйте трубы более тонкие, чем указано выше.
- Используйте трубы 1/2 Н или Н, если диаметр составляет 22,2 мм или больше.

4. Прокладка труб хладагента



- Ⓐ Раструбный стык - размеры
 Ⓑ Момент затяжки гайки раструбного стыка

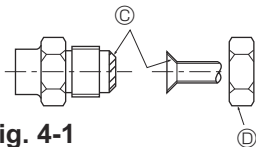


Fig. 4-1

Ⓐ (Fig. 4-1)

Медная труба O.D. (мм)	Размеры раструба, диаметр A (мм)
ø6,35	8,7 - 9,1
ø9,52	12,8 - 13,2
ø12,7	16,2 - 16,6
ø15,88	19,3 - 19,7
ø19,05	23,6 - 24,0

Ⓑ (Fig. 4-1)

Медная труба O.D. (мм)	Гайка раструбного стыка O.D. (мм)	Момент затяжки (Н·м)
ø6,35	17	14 - 18
ø6,35	22	34 - 42
ø9,52	22	34 - 42
ø12,7	26	49 - 61
ø12,7	29	68 - 82
ø15,88	29	68 - 82
ø15,88	36	100 - 120
ø19,05	36	100 - 120

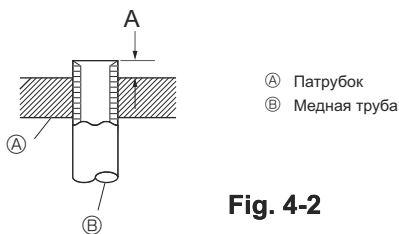


Fig. 4-2

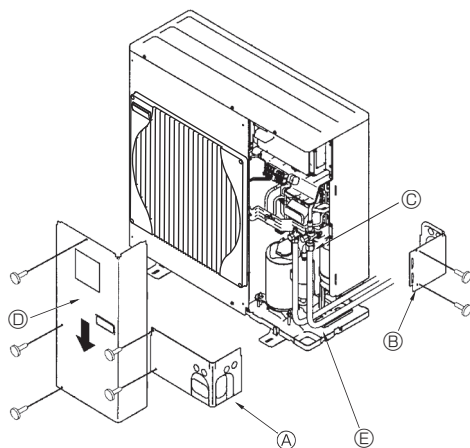


Fig. 4-3 Ⓐ Передняя крышка трубопровода
 Ⓑ Крышка трубопровода
 Ⓒ Запорный кран
 Ⓓ Эксплуатационная панель
 Ⓔ Радиус изгиба: 100-150 мм

4.2. Соединение труб (Fig. 4-1)

- При использовании медных труб, имеющих в продаже, оберните трубы для жидкости и газа имеющимися в продаже изоляционными материалами (с теплозащитой от 100°C или выше, толщиной не менее 12 мм). Непосредственный контакт с неизолированным трубопроводом может привести к ожогам или обморожению.
- Внутренняя часть дренажной трубы должна быть обернута в пенополиэтиленовый изолирующий материал (удельный вес 0,03; толщина 9 мм или более).
- Нанесите тонкий слой масла хладагента на контактную поверхность труб и соединений перед тем, как затягивать гайку с фланцем. Ⓐ
- Для затягивания трубных соединений используйте два гаечных ключа. Ⓑ
- Используйте детектор утечки или мыльный раствор для проверки утечки газа после завершения всех соединений.
- Нанесите машинное масло охлаждения на всю поверхность области присоединения муфты. Ⓒ
- Используйте гайки раструбного стыка для следующего размера трубы. Ⓓ

		SW50	SW75	SW100, 120
Страна газа	Размер трубы (мм)	ø12,7	ø15,88	ø15,88
Страна жидкости	Размер трубы (мм)	ø6,35	ø9,52	ø9,52

- При изгибе труб будьте осторожны, чтобы не допустить их поломки. Рекомендуются радиусы изгиба от 100 мм до 150 мм.
- Удостоверьтесь, что трубы не соприкасаются с компрессором. Такое соприкосновение может вызывать лишний шум или вибрацию.
- ① Соединение труб производится, начиная от внутреннего прибора. Хомуты на муфтах следует затягивать с помощью ключа с регулируемым усилием.
- ② Установите трубы для жидкости и для газа и нанесите тонкий слой масла охлаждения (на соответствующее место).
- В случае использования обычного уплотнения трубы, обратитесь к таблице 1 для справки о соединении труб для хладагента R410A. Для проверки размеров A можно использовать шаблон подгонки размера.

Таблица 1 (Fig. 4-2)

Медная труба O.D. (мм)	A (мм)	
	стыка для R410A	Инструмент раструбного
ø6,35 (1/4")	0 - 0,5	
ø9,52 (3/8")	0 - 0,5	
ø12,7 (1/2")	0 - 0,5	
ø15,88 (5/8")	0 - 0,5	
ø19,05 (3/4")	0 - 0,5	

⚠ Предупреждение:

При установке прибора надежно подсоедините трубы подачи охлаждающей жидкости до запуска компрессора.

4.3. Прокладка труб хладагента (Fig. 4-3)

■ Для SW50

Снимите эксплуатационную панель Ⓓ (1 винт).

■ Для SW75-120

Снимите эксплуатационную панель Ⓓ (3 винта), а также переднюю крышку трубопровода Ⓐ (2 винта) и заднюю крышку трубопровода Ⓑ (2 винта: SW75) (4 винта: SW100,120).

- ① Подсоедините трубопроводы хладагента к устройству, предназначенному для установки внутри/вне помещения, при полностью закрытом запорном вентиле устройства для установки вне помещения.
- ② Произведите вакуумную продувку воздуха из внутреннего прибора и труб соединения.
- ③ После соединения труб хладагента проверьте соединенные трубы и внутренний прибор на наличие утечек газа. (См. 4.4. "Метод проверки герметичности трубопровода хладагента".)
- ④ Высокопроизводительный вакуумный насос установлен у сервисного порта запорного клапана для поддержания вакуума в течение соответствующего времени (по крайней мере, в течение одного часа после достижения разрежения в -101 кПа (5 торр)), чтобы обеспечить вакуумную сушку внутри труб. Всегда проверяйте степень вакуума в коллекторе манометра. Если в трубе имеются остатки влажности, степень вакуума при использовании кратковременного разрежения не достигается. После вакуумной сушки, полностью откройте запорные клапаны (и жидкостный, и газовый) наружного прибора. Эта процедура завершает соединение контуров охлаждающих жидкостей внутреннего и наружного приборов.
 - Если не произвести вакуумную сушку надлежащим образом, в контурах охлаждения останется воздух и пары воды, что может привести к ненормальному подъему высокого давления, ненормальному падению низкого давления, ухудшению масла охлаждающего агрегата по причине влаги и т.д.
 - Если оставить закрытыми запорные краны и включить прибор, это приведет к повреждению компрессора и крана контроля.
 - Проверьте места соединения труб наружного прибора на наличие утечек с помощью детектора утечки или мыльной воды.
 - Не используйте хладагент из прибора для удаления воздуха из трубопроводов хладагента.
 - По окончании всех операций с кранами закрутите колпачки кранов до соответствующего усилия: от 20 до 25 Н·м (от 200 до 250 кгс·см). Неправильная замена и закрытие колпачков могут привести к утечке хладагента. Кроме того, не повредите внутренние детали колпачков кранов, поскольку они служат уплотнителями, предотвращающими утечку хладагента.
- ⑤ Для предотвращения пропитывания изоляционного материала на торцах труб водой произведите уплотнение соединений трубопроводов герметиком.

4. Прокладка труб хладагента

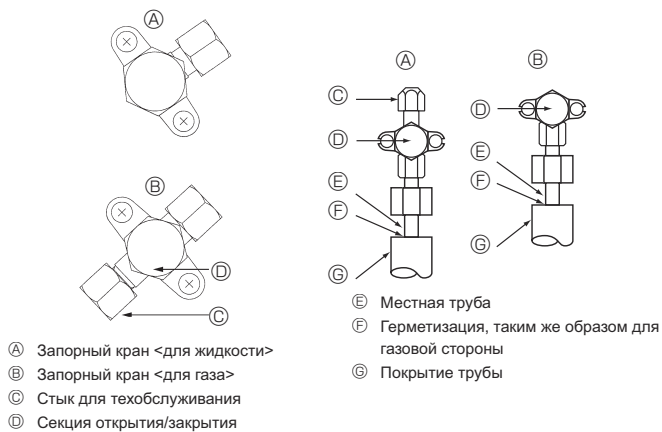


Fig. 4-4

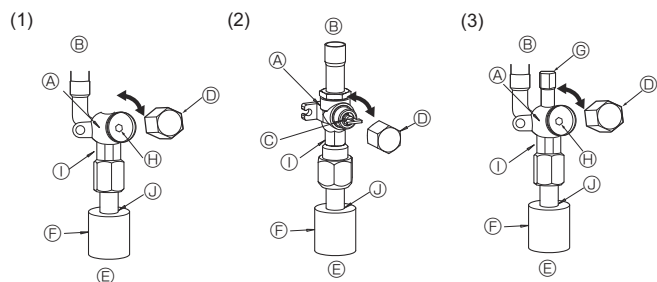


Fig. 4-5

Fig. 4-6

Fig. 4-7

- А Кран
- Б Со стороны блока
- В Ручка
- Г Колпачок
- Д Со стороны местной трубы
- Е Изоляция трубы
- Ж Стык для техобслуживания
- З Отверстие под ключ

- ① Сдвоенная секция для гаечного ключа (Затягивайте ключом только эту секцию. Если использовать ключ с другими секциями, это приведет к утечкам хладагента.)
- ② Уплотнительная секция (Уплотните конец теплоизоляционного материала у секции трубного соединения любым уплотнительным материалом, имеющимся под рукой, чтобы вода не проникла в изоляционный материал.)

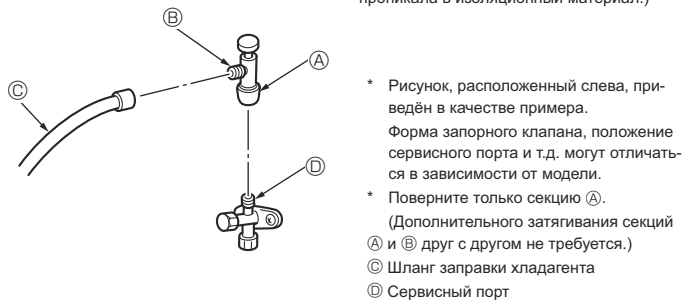


Fig. 4-8

- * Рисунок, расположенный слева, приведен в качестве примера. Форма запорного клапана, положение сервисного порта и т.д. могут отличаться в зависимости от модели.
- * Поверните только секцию А. (Дополнительного затягивания секций А и Б друг с другом не требуется.)
- С Шланг заправки хладагента
- Д Сервисный порт

4.4. Метод проверки герметичности трубопровода хладагента (Fig. 4-4)

- (1) Подсоедините проверочные инструменты.
 - Убедитесь в том, что запорные краны А и Б закрыты, и не открывайте их.
 - Подайте давление в трубопроводы хладагента через служебное отверстие С запорного крана А.
- (2) Не следует сразу подавать указанное давление полностью; увеличивайте давление постепенно.
 - ① Увеличьте давление до 0,5 Мпа (5 кгс/см²G), подождите пять минут и удостоверьтесь, что давление не снизилось.
 - ② Увеличьте давление до 1,5 МПа (15 кгс/см²G), подождите пять минут и удостоверьтесь, что давление не снизилось.
 - ③ Увеличьте давление до 4,15 МПа (41,5 кгс/см²G) и измерьте температуру окружающего воздуха и давление хладагента.
- (3) Если указанное давление держится в течение приблизительно одного дня и не уменьшается, то трубы выдержали испытание и утечек нет.
 - При изменении температуры окружающего воздуха на 1°C давление изменяется приблизительно на 0,01 Мпа (0,1 кгс/см²G). Произведите необходимые подстройки.
- (4) Если на этапах (2) или (3) наблюдается снижение давления, происходит утечка газа. Найдите источник утечки газа.

4.5. Способ открытия запорного крана

Метод открытия запорного клапана изменяется в зависимости от модели наружного прибора. Используйте надлежащий метод открытия запорных клапанов.

- (1) Сторона с газом SW75 (Fig. 4-5)
 - ① Снимите колпачок и поверните шток золотника против часовой стрелки до упора, используя для этой цели 5 мм шестигранный гаечный ключ. Прекратите поворачивать шток в момент, когда тот достигнет стопора. (Ø15,88: Приблизительно 13 оборотов)
 - ② Убедитесь в том, что запорный кран полностью открыт, и поверните колпачок в первоначальное положение.
 - (2) Сторона с газом SW100, 120 (Fig. 4-6)
 - ① Снимите колпачок, потяните ручку на себя и поверните на 1/4 оборота против часовой стрелки для открытия.
 - ② Убедитесь в том, что запорный кран полностью открыт, надавите на ручку и поверните колпачок в первоначальное положение.
 - (3) Сторона с жидкостью SW75-120 и сторона с газом/жидкостью SW50-75 (Fig. 4-7)
 - ① Снимите колпачок и поверните шток золотника против часовой стрелки до упора, используя для этой цели 4 мм шестигранный гаечный ключ. Прекратите поворачивать шток в момент, когда тот достигнет стопора. (Ø9,52: Приблизительно 10 оборотов)
 - ② Убедитесь в том, что запорный кран полностью открыт, надавите на ручку и поверните колпачок в первоначальное положение.
- Трубы хладагента с защитным покрытием для SW75-120
- Трубы могут быть обернуты защитной изоляцией до диаметра Ø90 до или после соединения. Вырежьте кусок в покрытии трубы по канавке и оберните трубы. Входной зазор трубы для SW75-120
 - Используйте замазку или герметик, чтобы загерметизировать входное отверстие для трубы и ликвидировать все щели. (Если имеются незакрытые отверстия, прибор может издавать шум, а также в него могут проникнуть вода и пыль, что может привести к поломке.)

Меры предосторожности при использовании клапана заправки хладагента (Fig. 4-8)

Не затягивайте сервисный порт слишком сильно при установке, в противном случае возможна деформация сердечника клапана и его ослабление, что может стать причиной утечки газа.

После установки секции Б в необходимое положение, поверните только секцию А и затяните ее.

Дополнительное затягивание секций А и Б друг с другом после затягивания секции А не требуется.

4.6. Добавление хладагента

- Данный прибор не нуждается в дополнительной зарядке, если длина трубы не превышает 10 м.
- Если длина трубы превышает 10 м, дополнительно зарядите устройство хладагентом R410A. Допустимые длины труб указаны ниже.
 - * При выключенном приборе заряжайте его добавочным количеством хладагента через жидкостный запорный кран после вакуумной продувки труб и внутреннего прибора.
 - При включенном приборе добавляйте хладагент через кран контроля газа, используя прибор безопасной зарядки. Не добавляйте жидкий хладагент непосредственно через кран контроля.
 - * После зарядки прибора хладагентом обратите внимание на количество добавочного хладагента на служебной метке (присоединенной к прибору). Дополнительная информация содержится в разделе "1.4. Использование наружных приборов с хладагентом R410A".

- Будьте осторожны при установке нескольких приборов. Присоединение не к нужному внутреннему прибору может привести к ненормально высокому давлению и оказать существенное влияние на эксплуатационные показатели прибора.

Модель	Разрешенная длина трубы	Разрешенный перепад высоты	Количество добавочного хладагента для зарядки					
			11 - 20 м	21 - 30 м	31 - 40 м	41 - 50 м	51 - 60 м	61 - 75 м
SW50	2 м - 40 м	-30 м	0,2 кг	0,4 кг	0,6 кг	—	—	—
SW75	2 м - 40 м	-30 м	0,15 кг	0,3 кг	0,6 кг	—	—	—
SW100, 120	2 м - 75 м	-30 м	0,2 кг	0,4 кг	1,0 кг	1,6 кг	2,2 кг	2,8 кг

5. Дренажные трубы

Соединение дренажных труб наружного прибора

При необходимости дренажа используйте сливное гнездо или дренажный поддон (дополнительно).

	SW50	SW75	SW100, 120
Сливное гнездо	PAC-SJ08DS-E	PAC-SG61DS-E	
Дренажный поддон	PAC-SG63DP-E	PAC-SG64DP-E	

6. Прокладка водопроводных труб

Минимальный объем воды

Для работы контура охлаждения требуется объем воды, приведенный в таблице ниже.

Модель	Минимальный объем воды (л)
SW50	22
SW75	32
SW100	43
SW120	54

Обязательно примите меры для защиты от обмерзания, например, применение антифриза во время работы блока в режиме охлаждения при низкой температуре окружающей среды (ниже 0 °C).

7. Электрические работы

7.1. Наружный прибор (Fig. 7-1, Fig. 7-2)

- ① Снимите защитную панель.
- ② Подсоедините кабели, как указано на Fig. 7-1 и Fig. 7-2.

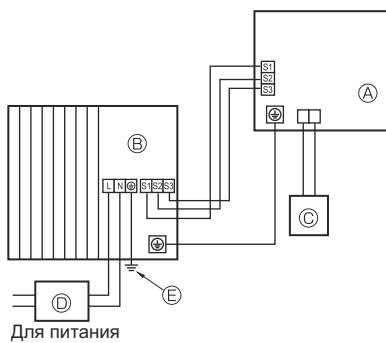
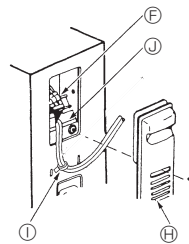


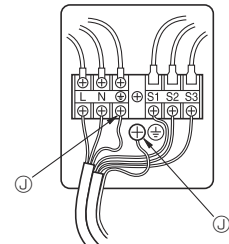
Fig. 7-1

- А Внутренний прибор (Интерфейсный блок/ Контроллер темп. потока)
- В Наружный прибор
- С Пульт дистанционного управления
- Д Основной выключатель (Выключатель тока утечки на землю)
- Е Устройство заземление

■ SW50



■ SW50



■ SW75-120

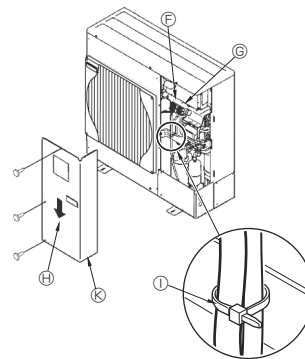
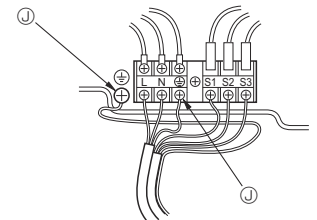
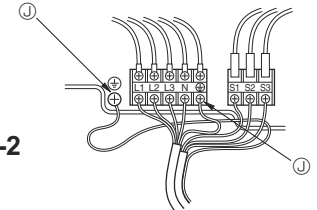


Fig. 7-2

■ SW75-120V



■ SW100, 120Y



- Ф Клемная колодка
- Г Клемная колодка внутреннего/наружного подключения (S1, S2, S3)
- Н Сервисная панель
- И Клемма

* Прокладывайте кабели таким образом, чтобы они не соприкасались с центром эксплуатационной панели или с газовым клапаном.

- Ж Клеммы заземления
- К Подсоедините кабели так, чтобы они не соприкасались с центром сервисной панели.

Примечание:

Если при обслуживании был снят защитный лист распределительной коробки, обязательно установите его на место.

⚠ Осторожно:

Обязательно установите N-линию. Отсутствие N-линии может привести к повреждению устройства.

7. Электрические работы

7.2. Электропроводка на месте монтажа

Модель наружного прибора	SW50V	SW75V	SW100V	SW120V	SW100, 120Y	
Наружный прибор Электропитание	~/N (однофазный), 50 Гц, 230 В	~/N (однофазный), 50 Гц, 230 В	~/N (однофазный), 50 Гц, 230 В	~/N (однофазный), 50 Гц, 230 В	3N~ (3 ф 4 провода), 50 Гц, 400 В	
Входная мощность внутреннего прибора Главный выключатель (Прерыватель)	*1 16 А	25 А	32 А	40 А	16 А	
Электропр- водка Провод № x размер (мм ²)	Наружный прибор Электропитание	3 x Мин. 1,5	3 x Мин. 2,5	3 x Мин. 4	3 x Мин. 6	5 x Мин. 1,5
	Внутренний прибор-Наружный прибор *2	3 x 1,5 (полярный)	3 x 1,5 (полярный)	3 x 1,5 (полярный)	3 x 1,5 (полярный)	3 x 1,5 (полярный)
	Заземление внутреннего/наружного прибора *2	1 x Мин. 1,5	1 x Мин. 1,5	1 x Мин. 1,5	1 x Мин. 1,5	1 x Мин. 1,5
	Пульт дистанционного управления - Внутренний прибор *3	2 x 0,3 (неполярный)	2 x 0,3 (неполярный)	2 x 0,3 (неполярный)	2 x 0,3 (неполярный)	2 x 0,3 (неполярный)
Мощность цепи	Наружный прибор L-N (однофазный)	230 Вольт перем. тока	230 Вольт перем. тока	230 Вольт перем. тока	230 Вольт перем. тока	230 Вольт перем. тока
	Наружный прибор L1-N, L2-N, L3-N (3 фазы)	*4 230 Вольт перем. тока	230 Вольт перем. тока	230 Вольт перем. тока	230 Вольт перем. тока	230 Вольт перем. тока
	Внутренний прибор-Наружный прибор S1-S2 *4	230 Вольт перем. тока	230 Вольт перем. тока	230 Вольт перем. тока	230 Вольт перем. тока	230 Вольт перем. тока
	Внутренний прибор-Наружный прибор S2-S3 *4	24 Вольт пост. тока	24 Вольт пост. тока	24 Вольт пост. тока	24 Вольт пост. тока	24 Вольт пост. тока
Пульт дистанционного управления - Внутренний прибор *4	12 Вольт пост. тока	12 Вольт пост. тока	12 Вольт пост. тока	12 Вольт пост. тока	12 Вольт пост. тока	

*1. Используйте выключатель тока утечки на землю (NV) с расстоянием между контактами по крайней мере 3,0 мм для каждого полюса.

Убедитесь в том, что используемый прерыватель утечки тока совместим с более высокой гармоникой.

Всегда пользуйтесь прерывателем утечки тока, так как данный прибор оборудован инвертором.

Прерыватель утечки тока, несовместимый с более высокой гармоникой, может стать причиной неправильной работы инвертора.

*2. Макс. 45 м

Если используется 2,5 мм², макс. 50 м

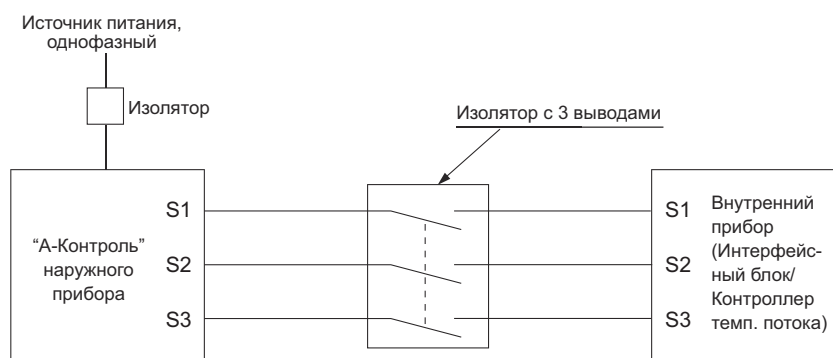
Если используется 2,5 мм² и отдельный S3, макс. 80 м

*3. К аксессуару пульта дистанционного управления прилагается провод 10 м.

*4. Величины HE всегда измерены относительно земли.

Разница потенциалов выводов S3 и S2 составляет 24 В постоянного тока. Между выводами S3 и S1 нет электрической изоляции с помощью трансформатора или другого устройства.

- Примечания:**
- Диаметр проводов должен соответствовать применимым местным и национальным нормам.
 - Силовые кабели и кабели соединения Внутреннего/Наружного прибора не должны быть легче экранированного гибкого провода из полихлоропрена (модель 60245 IEC 57).
 - Обязательно соедините кабели между Интерфейсным блоком/Контроллером темп. потока и наружным блоком непосредственно к приборам (промежуточные соединения не допускаются).
Промежуточные соединения могут приводить к ошибкам при передаче информации. Если в место промежуточного соединения попадет вода, то это может привести к недостаточной изоляции относительно земли или плохому электрическому контакту.
(Если необходимо промежуточное соединение, обязательно примите меры для предотвращения попадания воды на кабели.)
 - Длина устанавливаемого кабеля заземления должна превышать длину других кабелей.
 - Не выполняйте конструкцию системы таким образом, чтобы часто приходилось включать и выключать электропитание.



⚠ Предупреждение:

- В случае прокладки кабелей А-управления на выводе S3 имеется высоковольтный потенциал, связанный с конструкцией электрической цепи, в которой отсутствует изоляция между силовой линией и линией сигнала связи. Поэтому при проведении сервисного обслуживания отключите основной источник питания. Не прикасайтесь к контактам S1, S2, S3, когда подается питание. Если требуется использовать изолятор между наружным и внутренним блоками, используйте 3-полюсного типа.

Никогда не подсоединяйте внахлест силовой кабель или соединительный кабель внешнего питания. Это может привести к задымлению, возгоранию или неисправности.

8. Специальные функции

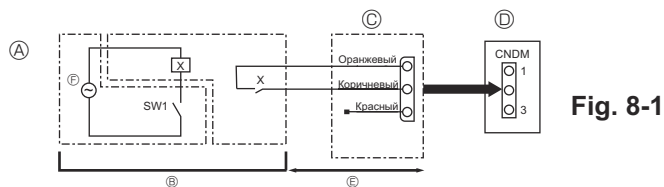


Fig. 8-1

- А Пример коммутационной схемы (режим низкого шума)
 Б Размещение на месте
 В Внешний входной адаптер (РАС-SC36NA-E)
 X: Реле
- Д Пульт управления наружным прибором
 Е Максимум 10 м.
 F Питание на реле

8.1. Режим низкого шума (модификация “на месте”) (Fig. 8-1)

После выполнения нижеприведенной модификаций шум работы наружного прибора может быть уменьшен примерно на 3-4 дБ.

Режим низкого шума активизируется после подключения отдельно поставляемого таймера или подключения контактного входа переключателя “ON/OFF” к разъему CNDM (также поставляется отдельно) на пульте управления наружного прибора.

- Эта возможность зависит от температуры и условий окружающей среды и т.д.
- ① При использовании внешнего входного адаптера (РАС-SC36NA-E) (поставляется отдельно) дополните электросхему как показано ниже.
- ② SW7-1 (Пульт управления наружным прибором): OFF
- ③ SW1 в положении ON: режим низкого шума
 SW1 в положении OFF: обычный режим

8.2. Восстановление хладагента (откачка)

После перемещения внутреннего или наружного прибора выполните следующие действия для восстановления хладагента:

- ① Включите питание (автоматическим выключателем).
 - * После подачи питания удостоверьтесь, что на пульте дистанционного управления не отображается сообщение “CENTRALLY CONTROLLED”. Если отображается сообщение “CENTRALLY CONTROLLED”, то процедуру восстановления хладагента нельзя завершить обычным путем.
 - * Взаимодействие внешнего и внутреннего модулей начинается спустя 3 минуты после включения питания (автоматического выключателя). Начните откачку через 3-4 минуты после включения питания (автоматического выключателя).
 - * При управлении несколькими устройствами перед включением питания отключите проводку, соединяющую основной внутренний прибор с дополнительным внутренним прибором. Для получения дополнительных сведений см. руководство по установке внутреннего прибора.
- ② После закрытия запорного крана жидкости установите переключатель SWP на пульте управления наружного прибора в положение ON. Компрессор (наружный прибор) и вентиляторы (внутренний и наружные приборы) начинают работать, и начинается процедура восстановления хладагента. На пульте управления наружного прибора горят индикаторы LED1 и LED2.
 - * Устанавливайте переключатель SWP (кнопочного типа) в положение ON только при выключенном приборе. Однако даже если прибор остановлен, но переключатель SWP установлен в положение ON менее чем через 3 минуты после остановки компрессора, процедура восстановления хладагента не может быть выполнена. Подождите 3 минуты с момента остановки компрессора, и затем вновь установите переключатель SWP в положение ON.

- ③ Поскольку прибор автоматически останавливается через 2-3 минуты после завершения сбора охлаждающей жидкости (светодиод LED1 выключен, светодиод LED2 горит), следует быстро закрыть газовый запорный клапан. Если при остановленном наружном приборе светодиод LED1 светится, а светодиод LED2 не горит, сбор охлаждающей жидкости выполнен неправильно. Полностью откройте запорный клапан для жидкости, а потом повторите шаг ② через 3 минуты.
 - * Если сбор охлаждающей жидкости выполнен надлежащим образом (светодиод LED1 выключен, светодиод LED2 горит), прибор останется в выключенном состоянии, пока не будет выключено питание.
- ④ Отключите питание (автоматическим выключателем).
 - * Следует иметь в виду, что при использовании удлинительных труб слишком большой длины при большом количестве охлаждающей жидкости выполнить откачку, возможно, не удастся. При осуществлении операции откачки, убедитесь, что низкое давление упало примерно до 0 МПа (маном.).

⚠ Предупреждение:

При откачке охлаждающей жидкости, прежде чем отсоединить трубы, следует остановить компрессор. Попадание внутрь компрессора воздуха и т.п. может привести к взрыву.

9. Управление системой

Задайте адрес хладагента с помощью микропереключателя наружного прибора.

Настройка функций переключателя SW1

Настройка SW1	Адрес хладагента	Настройка SW1	Адрес хладагента
ON OFF 3 4 5 6 7	00	ON OFF 3 4 5 6 7	03
ON OFF 3 4 5 6 7	01	ON OFF 3 4 5 6 7	04
ON OFF 3 4 5 6 7	02	ON OFF 3 4 5 6 7	05

Примечание:

- Можно подключать до 6 приборов.
- Все подключаемые приборы должны быть одной модели.
- Чтобы настроить микропереключатель внутреннего прибора, см. руководство по установке внутреннего прибора.

10. Спецификации

Наружная модель	PUHZ-SW50VKA	PUHZ-SW75VHA	PUHZ-SW100VHA	PUHZ-SW120VHA	PUHZ-SW100YHA	PUHZ-SW120YHA
Электропитание	В / Ф / Гц 230 / Одинарный / 50				400 / Три / 50	
Размеры (В x Ш x Г)	мм 809 x 630 x 360		950 x 943 x 330(+30)		950 x 1350 x 330(+30)	
Уровень шума *1						
SPL	Обогрев	dB(A)	46	51	54	54
	Охлаждение	dB(A)	46	48	50	51
PWL	Обогрев	dB(A)	63	69	70	72

*1 Замеры выполнены при номинальной рабочей частоте.

1. Sikkerhetsregler	110	6. Vannrørlegging	116
2. Installasjonssted	111	7. Elektrisk arbeid	116
3. Installasjon av utendørsenheten	113	8. Spesialfunksjoner	118
4. Installere kjølemiddelrørlegging	113	9. Systemkontroll	118
5. Avløpsrørlegging	116	10. Spesifikasjoner	118



Merk: Dette symbolmerket er kun for EU-land.

Dette symbolmerket er i henhold til direktiv 2012/19/EU artikkel 14 Informasjon for brukere og Vedlegg IX.

Ditt MITSUBISHI ELECTRIC-produkt er designet og produsert med materialer og komponenter av høy kvalitet som kan resirkuleres og gjenbrukes.

Dette symbolet betyr at det elektriske og elektroniske utstyret ikke skal kastes som vanlig husholdningsavfall ved slutten av levetiden.

Kast dette utstyret ved det lokale kommunale avfallsinnsamlings-/resirkuleringscenteret.

I EU finnes egne innsamlingsssystemer for brukt elektrisk og elektronisk utstyr.

Hjelp oss til å bevare miljøet vårt!

⚠ Forsiktig:

• Ikke luft ut R410A til atmosfæren:

• R410A er en fluorintilsatt drivhusgass som dekkes av Kyoto-protokollen med et globalt oppvarmingspotensiale (GWP)=1975.

1. Sikkerhetsregler

▶ Før du installerer enheten, se til at du leser alle "Sikkerhetsregler".
▶ Rapporter til eller få tillatelse av forsyningsmyndighetene før tilkobling til systemet.

⚠ Advarsel:

Beskriver forholdsregler som må overholdes for å unngå fare for personskade eller dødsfall.

⚠ Forsiktig:

Beskriver forholdsregler som må overholdes for å unngå skader på enheten.

⚠ Advarsel:

- Enheten skal ikke installeres av brukeren. Be en forhandler eller en autorisert tekniker om å installere enheten. Hvis enheten installeres feil, kan dette forårsake vannlekkasje, elektrisk støt eller brann.
- For installasjonsarbeid må du følge instruksjonene i installasjonshåndboken og bruke verktøy og rørkomponenter som er spesifikt laget for bruk med R410A-kjølemiddel. R410A-kjølemiddelet i HFC-systemet er under 1,6 ganger trykket til vanlige kjølemidler. Hvis rørkomponenter som ikke er utformet for R410A-kjølemiddelet brukes, og enheten ikke er installert riktig, kan rør sprekke og forårsake skade på personer eller gjenstander. I tillegg kan det oppstå lekkasje, elektrisk støt og brann.
- Enheten må installeres i henhold til instruksjonene for å minimere risikoen for skade ved jordskjelv, tyfoner eller sterke vinder. Enhver uriktig installert enhet kan falle ned og forårsake skade på gjenstander eller personer.
- Enheten må installeres på sikker måte på en konstruksjon som tåler vekten til enheten. Hvis enheten monteres på en ustabil konstruksjon, kan den falle ned og forårsake skade på gjenstander eller personer.
- Hvis utendørsenheten installeres i et lite rom, må det tas tiltak for å forhindre at kjølemiddelkonsentrasjonen i rommet overskrider den sikre grensen i tilfelle kjølemiddel lekkasje. Forhør deg med en forhandler vedrørende egnede tiltak for å forhindre at den tillatte konsentrasjonen overskrides. Hvis kjølemiddelet skulle lekke ut og forårsake skade på konsentrasjonsgrensen overskrides, kan det føre til fare på grunn av manglende oksygen i rommet.
- Luft ut rommet hvis det lekker ut kjølemiddel under bruk. Hvis kjølemiddel kommer i kontakt med en flamme, vil det frigis giftige gasser.
- Alt elektrisk arbeid må utføres av en kvalifisert tekniker i henhold til lokale forskrifter og anvisningene i denne håndboken. Enhetene må få strøm fra en dedikert strømforsyning, og det må brukes korrekt spenning og krets-brytere. Kraftlinjer med utilstrekkelig kapasitet eller uriktig elektrisk arbeid kan føre til elektrisk støt eller brann.
- Bruk kobberfosfor C1220 for sømløse rør i kobber og kobberlegeringer til å koble sammen kuldemedierørene. Hvis rørene ikke er riktig tilkoblet, vil enheten ikke være riktig jordet, og det kan føre til elektrisk støt.

Etter at installasjonsarbeidet er fullført, forklar "Sikkerhetsregler", bruk og vedlikehold av enheten for kunden, basert på informasjonen i brukerhåndboken, og utfør testkjøringen for å sikre normal drift. Både installasjonshåndboken og brukerhåndboken må gis til brukeren for oppbevaring. Disse håndbøkene må viderefremmes til etterfølgende brukere.

⚠ : Indikerer en del som må jordes.

⚠ Advarsel:

Les nøye etikettene som er festet på hovedenheten.

- Bruk kun de spesifiserte kablene for kabling. Kabeltilkoblingene må gjøres på sikker måte uten og uten trykk på terminaltilkoblingene. Splis aldri kabler for kabling (med mindre det er indikert i dette dokumentet). Hvis disse instruksjonene ikke følges, kan det føre til overoppheting eller brann.
- Dekselpanelet for terminalblokken på utendørsenheten må være godt festet. Hvis dekselpanelet er feilmontert, kan det komme støv og fuktighet inn i enheten, og dette kan forårsake elektrisk støt eller brann.
- Ved installering eller flytting, eller ved utføring av service på utendørsenheten, skal det kun brukes det spesifiserte kjølemiddelet (R410A) for å lade kjølelinjene. Ikke bland med noe annet kuldemiddel og ikke la luft være igjen i linjene. Dersom luft blandes med kjølemiddelet, kan det føre til unormalt høyt trykk i kjølemiddellinjen, som igjen kan resultere i en eksplosjon eller andre farlige situasjoner. Bruken av noe annet kjølemiddel enn det som er spesifisert for systemet, vil forårsake mekanisk feil, systemfeil eller svikt av enheten. I verste fall kan dette gjøre det svært vanskelig å opprettholde produktsikkerheten.
- Bruk kun tilbehør som er autorisert av Mitsubishi Electric, og få en forhandler eller en autorisert tekniker til å installere det. Hvis tilbehøret installeres feil, kan dette forårsake vannlekkasje, elektrisk støt eller brann.
- Ikke endre enheten. Forhør deg med en forhandler for reparasjoner. Hvis endringer eller reparasjoner ikke utføres riktig, kan dette forårsake vannlekkasje, elektrisk støt eller brann.
- Brukeren skal aldri gjøre forsøk på å reparere enheten eller overføre den til et annet sted. Hvis enheten installeres feil, kan dette forårsake vannlekkasje, elektrisk støt eller brann. Hvis utendørsenheten må repareres eller flyttes, få en forhandler eller en autorisert tekniker til å gjøre dette.
- Etter at installasjonen har blitt fullført, se til at kjølemiddelet ikke lekker. Hvis det lekker kjølemiddel inn i rommet og det kommer i kontakt med flammen på et varmeapparat eller en bærbar komfyr, vil det frigis giftige gasser.

1.1. Før installering

⚠ Forsiktig:

- Ikke bruk enheten i et uvanlig miljø. Hvis utendørsenheten er installert i områder som utsettes for damp, flyktig olje (inkludert maskinolje) eller svovelsyre, eller hvis den utsettes for saltholdig luft, slik som ved sjøen, eller dekkes til med snø, kan ytelsen reduseres betydelig, og de innvendige delene kan skades.
- Ikke installer enheten der det kan lekke ut, produseres, strømme eller samles opp brennbare gasser. Hvis brennbar gass samles opp rundt enheten, kan dette føre til brann eller eksplosjon.
- Utendørsenheten produserer kondensat i løpet av oppvarmingsdriften. Se til å opprette avløp rundt utendørsenheten hvis slik kondens sannsynligvis vil forårsake skade.
- Ved installering av enheten på et sykehus eller kommunikasjonskontor, vær forberedt på støv og elektronisk interferens. Omformere, husholdningsapparater, medisinsk utstyr med høy frekvens og radiokommunikasjonsutstyr kan gjøre at utendørsenheten ikke fungerer riktig eller svikter. Utendørsenheten kan også påvirke medisinsk utstyr, forstyrre medisinsk pleie- og kommunikasjonsutstyr, skade skjermingskvaliteten.

1. Sikkerhetsregler

1.2. Før installasjon (flytting)

⚠ Forsiktig:

- Vær ekstremt forsiktig når du transporterer eller installerer enhetene. Enheten må håndteres av to eller flere personer, da den veier 20 kg eller mer. Ikke hold etter emballasjebåndene. Bruk vernehansker til å pakke ut enheten fra emballasjen og til å flytte den, for å unngå at hendene dine skades av ribbene eller kanten på andre deler.
- Se til at emballasjematerialet bortskaffes på sikker måte. Emballasjematerialene, slik som spikre og andre metall- eller tredeler, kan forårsake stikk-skader eller andre skader.
- Basen og påmontert utstyr på utendørsenheter må kontrolleres periodisk for å sikre at den ikke er løs, sprukket eller skadet. Hvis slike defekter ikke korrigeres, kan enheten falle ned og forårsake skade på gjenstander eller personer.
- Ikke rengjør utendørsenheter med vann. Dette kan forårsake elektrisk støt.
- Trekk til alle kragemuttre etter spesifikasjonen ved bruk av momentnøkkel. Hvis de trekkes til for mye, kan kragemutteren ødelegges etter en lengre tid, og kjølemiddel kan lekke ut.

1.3. Før elektrisk arbeid

⚠ Forsiktig:

- Se til å installere kretsbytere. Hvis de ikke er installert, kan det forårsake elektrisk støt.
- For strømledningene bruk standardkabler med tilstrekkelig kapasitet. Ellers kan det forårsake kortslutning, overoppheting eller brann.
- Ved installering av strømledningene, ikke påfør strekk på kablene. Hvis tilkoblingene er løst, kan kablene slenge eller brytes, og det kan føre til overoppheting eller brann.
- Se til å jorde enheten. Ikke koble jordingsledningen til gass- eller vannrør, lynstenger eller telefonjordingslinjer. Hvis enheten ikke er riktig jordet, kan det forårsake elektrisk støt.
- Bruk kretsbyterne (jordingsfeilbryter, isolasjonsbryter (+B-sikring) og støpt huskretsbyter) med den spesifiserte kapasiteten. Hvis kretsbyterens kapasitet er større enn den spesifiserte kapasiteten, kan det føre til svikt eller brann.

1.4. Bruk av utendørsenheter med R410A-kjølemiddel

⚠ Forsiktig:

- Bruk kobberfosfor C1220 for sømløse rør i kobber og kobberlegeringer til å koble sammen kuldemedierørene. Påse at rørene er rene på innsiden og ikke inneholder skadelige, forurensende stoffer slik som svovelholdige stoffer, oksidanter, rusk eller støv. Bruk rør med den spesifiserte tykkelsen. (Se 4.1.) Merk følgende dersom rør som ledet R22-kuldemedium skal gjenbrukes.
 - Bytt ut de eksisterende kragemutrene og foreta utkraging av de utkragede delene igjen.
 - Bruk ikke tynne rør. (Se 4.1.)
- Lagre rørene som skal brukes under installasjonen innendørs og hold begge endene av rørene forseglet inntil like før lodding. (La vinkelødd etc. ligge i emballasjen.) Dersom støv, rust eller fuktighet kommer inn i kuldemedielinjene, kan det resultere i oljeforringelse eller kompressorsvikt.
- Bruk esterolje, eterisk olje eller alkylbenzenolje (liten mengde) som kuldemedieolje til å påføre de utsprede delene. Dersom mineralolje blandes i kuldemedieoljen, kan det føre til oljeforringelse.
- Ikke bruk annet kjølemiddel enn R410A. Hvis et annet kjølemiddel er brukt, vil klorinen forårsake at oljen forringes.
- Bruk følgende verktøy som er utformet spesielt for bruk med R410A-kjølemiddel. Følgende verktøy trengs for å bruke R410A-kjølemiddel. Ta kontakt med din nærmeste forhandler dersom du har spørsmål.

Verktøy (for R410A)	
Målemanifold	Utkravingsverktøy
Ladeslange	Måler for størrelsejustering
Gasslekkasjedetektor	Vakuumpumpeadapter
Stillbar momentnøkkel	Elektronisk vekt for påfylling av kjølemiddel

- Sørg for å bruke riktige verktøy. Dersom støv, rust eller fuktighet kommer inn i kuldemedielinjene, kan det resultere i forringelse av kuldemedieoljen.
- Ikke bruk en ladesylinder. Hvis det brukes en ladesylinder, vil sammensetningen av kjølemiddelet endres og effektiviteten vil reduseres.

2. Installasjonssted

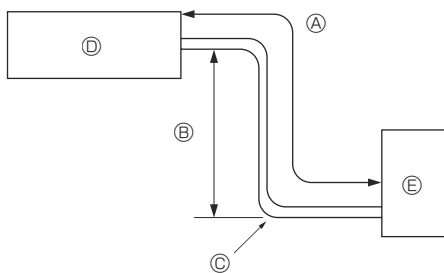


Fig. 2-1

2.1. Kjølemiddelrør (fig. 2-1)

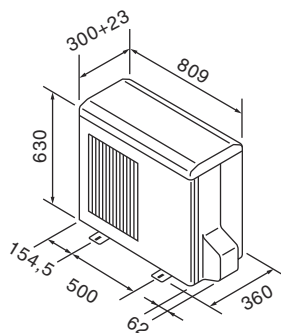
- Kontroller at forskjellen mellom høydene på innendørs- og utendørsenheter, lengden på kjølemiddelrøret og antallet bøyninger på røret er innen de grensene som er oppgitt nedenfor.

Modell	Ⓐ Rørlengde (enveis)	Ⓑ Høyde forskjell	Ⓒ Antall bøyninger (én vei)
SW50	2 m - 40 m	Maks. 30 m	Maks. 15
SW75	2 m - 40 m	Maks. 30 m	Maks. 15
SW100, 120	2 m - 75 m	Maks. 30 m	Maks. 15

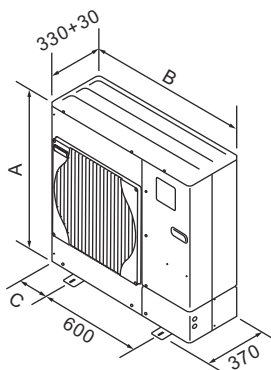
- Begrensningen på høydeforskjellen gjelder uansett hvilken enhet, innendørs eller utendørs, som står høyere.
 - Ⓐ Innendørsenhet
 - Ⓑ Utendørsenhet

2. Installasjonssted

■ SW50



■ SW75, 100, 120



Modell	A (mm)	B (mm)	C (mm)
SW75	943	950	175
SW100	1350	950	175
SW120	1350	950	175

Fig. 2-2

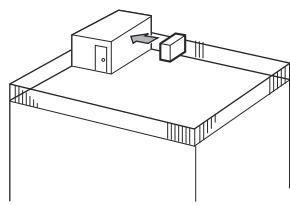


Fig. 2-3

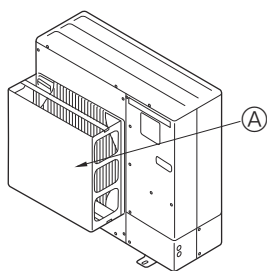


Fig. 2-4

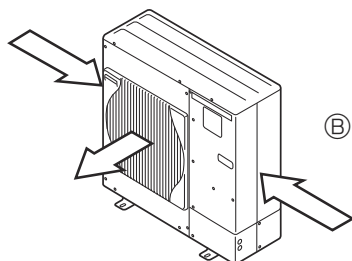


Fig. 2-5

(mm)

2.2. Installasjonssted for utendørsenhet

- Unngå plasseringer som utsettes for direkte sollys eller andre varmekilder.
- Velg et sted der støyen som avgis av enheten ikke vil forstyrre naboer.
- Velg en plassering der enkel kabling og rørtilgang til strømkilden og innendørsenheten er tilgjengelig.
- Unngå steder der det kan lekke ut, produseres, strøme eller samles opp brennbare gasser.
- Merk at det kan renne vann fra enheten under drift.
- Velg et flatt sted som tåler enhetens vekt og vibrasjon.
- Unngå steder der enheten kan dekket med snø. I områder der det forventes stort snøfall, må det tas spesielle forholdsregler for å forhindre at snøen blokkerer luftinntaket eller blåser rett mot dette, for eksempel ved å installere enheten i en høyere posisjon eller installere en hette på luftinntaket. Denne kan redusere luftstrømmen og det kan hende at enheten ikke virker riktig.
- Unngå steder som utsettes for olje, damp eller svovelgass.
- Bruk transporthåndtakene på utendørsenheten for å transportere enheten. Hvis enheten bæres fra bunnen, kan hender eller fingre bli klemt.

2.3. Utvendige mål (utendørsenhet) (fig. 2-2)

2.4. Ventilasjon og serviceplass

2.4.1. Installasjon på vindfullt sted

Hvis utendørsenheten installeres på et tak eller et annet sted der enheten er ubeskyttet mot vind, plasser luftslippet på enheten slik at det ikke utsettes direkte for sterke vinder. Sterk vind som kommer inn i luftslippet kan hemme den normale luftstrømmen og forårsake en feilfunksjon.

Følgende viser tre eksempler på forholdsregler mot sterke vinder.

- ① Rett luftslippet mot nærmeste tilgjengelige vegg, hold en avstand på omtrent 50 cm. (Fig. 2-3)
- ② Installer en ekstra luftføring hvis enheten installeres på et sted der sterke vinder, slik som en tyfon osv. kan blåse direkte inn i luftslippet. (Fig. 2-4)
 - Ⓐ Airutslippføring
- ③ Posisjoner enheten slik at luftslippet kan blåse i rett vinkel for sesongvindretningen, hvis mulig. (Fig. 2-5)
 - Ⓐ Vindretning

2.4.2. Ved installering av en enkelt dørenhet (se siste side)

Minimumsmål er som følger, unntatt maks., som betyr maksimale mål som er indikert.

Tall i parentes er for SW100-, 120-modeller.

Se figurene for hvert tilfelle.

- ① Hindringer kun bak (fig. 2-6)
- ② Hindringer kun bak og ovenfor (fig. 2-7)
 - Ikke installer de ekstra luftutslippføringene for oppoverluftstrøm.
- ③ Hindringer kun bak og ovenfor (fig. 2-8)
 - * 350 for SW50.
- ④ Hindringer kun foran (fig. 2-9)
 - * Ved bruk av en ekstra luftutslippføring er klaringen for SW100-,120-modeller 500 mm eller mer.
- ⑤ Hindringer kun foran og bak (fig. 2-10)
 - * Ved bruk av en ekstra luftutslippføring er klaringen for SW100-,120-modeller 500 mm eller mer.
- ⑥ Hindringer kun bak, på sidene og ovenfor (fig. 2-11)
 - * 350 for SW50.
 - Ikke installer de ekstra luftutslippføringene for oppoverluftstrøm.

2.4.3. Ved installering av flere utendørsenheter (se siste side)

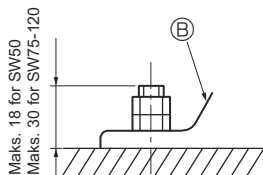
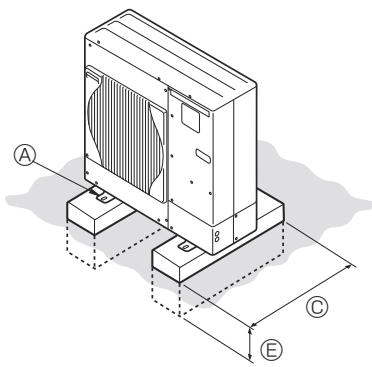
La det være 350 mm plass for SW50 og 10 mm for SW75-120 eller mer mellom enhetene.

Tall i parentes er for SW100-, 120-modeller.

Se figurene for hvert tilfelle.

- ① Hindringer kun bak (fig. 2-12)
- ② Hindringer kun bak og ovenfor (fig. 2-13)
 - Det skal ikke installeres mer enn 3 enheter side ved side. La det i tillegg være plass slik som vist.
 - Ikke installer de ekstra luftutslippføringene for oppoverluftstrøm.
- ③ Hindringer kun foran (fig. 2-14)
 - * Ved bruk av en ekstra luftutslippføring er klaringen for SW100-,120-modeller 1000 mm eller mer.
- ④ Hindringer kun foran og bak (fig. 2-15)
 - * Ved bruk av en ekstra luftutslippføring er klaringen for SW100-,120-modeller 1000 mm eller mer.
- ⑤ Enkel parallellenhetsordning (fig. 2-16)
 - * Ved bruk av en ekstra luftutslippføring som er installert for oppoverluftstrøm, er klaringen 500 (1000) mm eller mer.
- ⑥ Ordning av flere parallellenheter (fig. 2-17)
 - * Ved bruk av en ekstra luftutslippføring som er installert for oppoverluftstrøm, er klaringen 1000 (1500) mm eller mer.
- ⑦ Ordning av stablet enhet (fig. 2-18)
 - Enhetene kan stables med opptil to enheter i høyden.
 - Det skal ikke installeres mer enn 2 stablede enheter side ved side. La det i tillegg være plass slik som vist.

3. Installering av utendørsenheten



- Ⓐ M10-bolt (3/8")
- Ⓑ Sokkel
- Ⓒ Så lenge som mulig
- Ⓓ Ventil
- Ⓔ Sett dypt i jorden

(mm)

- Se til at du installerer enheten på en solid, jevn overflate for å forhindre klaprelyder under drift. (Fig. 3-1)

<Fundamentspesifikasjoner>

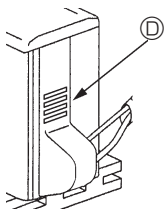
Fundamentbolt	M10 (3/8")
Tykkelsen på betong	120 mm
Lengde på bolt	70 mm
Vektbærende kapasitet	320 kg

- Se til at lengden på fundamentboltene er innenfor 30 mm fra bunnen på basen.
 - Fest basen på enheten godt med fire M10 fundamentbolter på solide steder.
- Installering av utendørsenheten**
- Ikke blokker ventilen. Hvis ventilen er blokkert, vil driften forhindres, og enheten kan svikte.
 - I tillegg til enhetsbasen, bruk installasjonshullene på baksiden av enheten til å feste kabler osv. hvis nødvendig for å installere enheten. Bruk selvgjengende skruer (Ø 5 × 15 mm eller mindre) og installer på stedet.

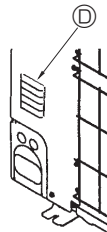
⚠ Advarsel:

- Enheden må installeres på sikker måte på en konstruksjon som tåler vekten til enheten. Hvis enheten monteres på en ustabil konstruksjon, kan den falle ned og forårsake skade på gjenstander eller personer.
- Enheden må installeres i henhold til instruksjonene for å minimere risikoen for skade ved jordskjelv, tyfoner eller sterke vinder. Enhver uriktig installert enhet kan falle ned og forårsake skade på gjenstander eller personer.

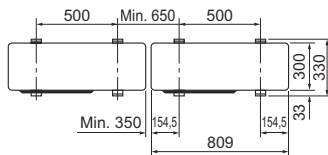
■ SW50



■ SW75-120



■ SW50



■ SW75-120

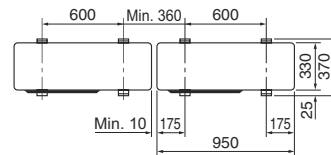


Fig. 3-1

4. Installere kjølemiddelrørlegging

4.1. Forholdsregler for enheter som bruker R410A-kjølemiddel

- Se 1.4 for forholdsregler som ikke er inkludert nedenfor vedrørende bruk av utendørsenheter med R410A-kjølemiddel.
- Bruk esterolje, eterisk olje eller alkylbenzenolje (liten mengde) som kuldemedieolje til å påføre de utsprede delene.
- Bruk kobberfosfor C1220 for sømløse rør i kobber og kobberlegeringer til å koble sammen kuldemedierørene. Bruk kuldemedierør med tykkelse som spesifisert i tabellen under. Påse at rørene er rene på innsiden og ikke inneholder skadelige, forurensende stoffer slik som svovelholdige stoffer, oksidanter, rusk eller støv. Bruk alltid ikke-oksiderende lodding når rørende loddet, ellers vil kompressoren bli skadet.

⚠ Advarsel:

Ved installering eller flytting, eller ved utføring av service på utendørsenheten, skal det kun brukes det spesifiserte kjølemiddelet (R410A) for å lade kjølelinjene. Ikke bland med noe annet kuldemedie og ikke la luft være igjen i linjene.

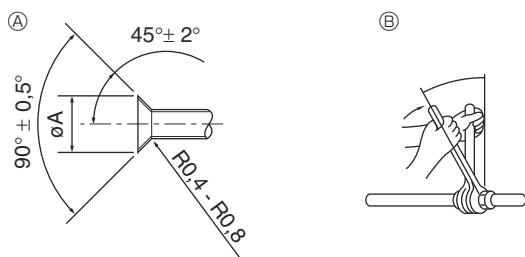
Dersom luft blandes med kjølemiddelet, kan det føre til unormalt høyt trykk i kjølemiddellinjen, som igjen kan resultere i en eksplosjon eller andre farlige situasjoner.

Bruken av noe annet kjølemiddel enn det som er spesifisert for systemet, vil forårsake mekanisk feil, systemfeil eller svikt av enheten. I verste fall kan dette gjøre det svært vanskelig å opprettholde produktsikkerheten.

Rørstørrelse (mm)	φ6,35	φ9,52	φ12,7	φ15,88	φ19,05	φ22,2	φ25,4	φ28,58
Tykkelse (mm)	0,8	0,8	0,8	1,0	1,0	1,0	1,0	1,0

- Ikke bruk rør som er tynnere enn de som er spesifisert over.
- Bruk 1/2 H eller H-rør hvis diameteren er 22,2 mm eller større.

4. Installere kjølemiddelrørlegging



- Ⓐ Mål for kragekutting
Ⓑ Tiltrekingsmoment for kragemutter

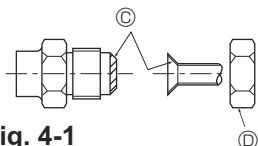


Fig. 4-1

Ⓐ (Fig. 4-1)

Kobberrør YD (mm)	Utkragingsmål ØA-mål (mm)
Ø 6,35	8,7 - 9,1
Ø 9,52	12,8 - 13,2
Ø 12,7	16,2 - 16,6
Ø 15,88	19,3 - 19,7
Ø 19,05	23,6 - 24,0

Ⓑ (Fig. 4-1)

Kobberrør YD (mm)	Kragemutter YD (mm)	Tiltrekingsmoment (N·m)
Ø 6,35	17	14 - 18
Ø 6,35	22	34 - 42
Ø 9,52	22	34 - 42
Ø 12,7	26	49 - 61
Ø 12,7	29	68 - 82
Ø 15,88	29	68 - 82
Ø 15,88	36	100 - 120
Ø 19,05	36	100 - 120

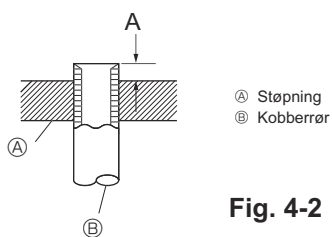


Fig. 4-2

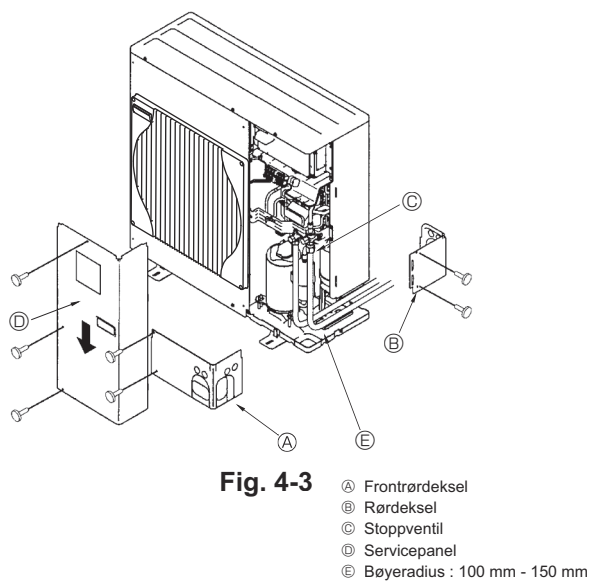


Fig. 4-3

- Ⓐ Frontrørdeksel
Ⓑ Rørdeksel
Ⓒ Stoppventil
Ⓓ Servicepanel
Ⓔ Bøyeradius : 100 mm - 150 mm

4.2. Vannrørtilkobling (fig. 4-1)

- Ved bruk av kommersielt tilgjengelige kobberør, må væske- og gassrør dekkes med kommersielt tilgjengelige isolasjonsmaterialer (varmefaste til 100 °C eller mer, tykkelse på 12 mm eller mer). Direkte berøring av nakne rør kan resultere i brannskader eller frostskafer.
- Innendørsdelene av avløpsrøret skal være innpakket med isolasjonsmaterialer av polyetylen (spesifikk gravitet på 0,03, tykkelse på 9 mm eller mer).
- Påfør et tynt lag av kuldemedieolje på røret og og skjøtets sete før kragemutteren strammes. Ⓐ
- Bruk to skrunøkler til å stramme rørbindinger. Ⓑ
- Bruk lekkasjedetektor eller såpevann for å kontrollere etter gasslekkasjer etter at tilkoblingene er fullført.
- Påfør kjølemaskinolje over hele utkragingsoverflaten. Ⓒ
- Bruk kragemutterne for følgende rørstørrelse. Ⓓ

	SW50	SW75	SW100, 120
Gassside Rørstørrelse (mm)	φ12,7	φ15,88	φ15,88
Væskeside Rørstørrelse (mm)	φ6,35	φ9,52	φ9,52

- Når rørene bøyes, vær forsiktig så du ikke ødelegger dem. Bøyningsradius på 100 mm til 150 mm er tilstrekkelig.
- Pass på at rørene ikke berører kompressoren. Unormal støy eller vibrasjon kan oppstå.
- ① Rørene må tilkobles ved å starte fra innendørsenheten. Kragemutterne må trekkes til med en momentnøkkel.
- ② Vid ut væskerørene og gassrørene og påfør et tynt lag av kjølemiddelolje (påført på stedet).
- Når det brukes vanlig rørtetning, se tabell 1 for utvidning av R410A-kjølemiddelrør. Størrelsejusteringsmåleren kan brukes til å bekrefte A-mål.

Tabell 1 (Fig. 4-2)

Kobberrør YD (mm)	A (mm)	
	Utkragingsverktøy for R410A	
	Gripetype	
Ø 6,35 (1/4")	0 - 0,5	
Ø 9,52 (3/8")	0 - 0,5	
Ø 12,7 (1/2")	0 - 0,5	
Ø 15,88 (5/8")	0 - 0,5	
Ø 19,05 (3/4")	0 - 0,5	

⚠ Advarsel:

Ved installering av enheten å koble til kjølemiddelrørene på sikker måte før kompressoren startes.

4.3. Kjølemiddelrørlegging (fig. 4-3)

■ For SW50

Fjern servicepanelet Ⓓ (1 skrue).

■ For SW75-120

Fjern servicepanelet Ⓓ (3 skruer) og frontrørdekslet Ⓐ (2 skruer) og bakre rørdeksel Ⓑ (2 skruer: SW75) (4 skruer: SW100, 120).

- ① Utfør kjølemiddelrørtilkoblinger for innendørs-/utendørsenhet når utendørsenhets stoppventil er helt lukket.
- ② Vakuutøm luft fra innendørsenheten og tilkoblingsrørleggingen.
- ③ Etter tilkobling av kjølemiddelrørene kontrollerer tilkoblede rør og innendørsenheten for gasslekkasjer. (Se 4.4 Kjølemiddelrør lufttetthetsmetode)
- ④ En høytrykks vakuumpumpe brukes ved stoppventilens serviceport for å opprettholde et vakuum i passende tid (minst én time etter å ha nådd -101 kPa (5 Torr)) for å kunne vakuutørke innsiden av rørene. Kontroller alltid vakuumbakgrunnen ved målemanifolde. Hvis det er noen fuktighet igjen i røret, oppnås vakuumbakgrunnen noen ganger ikke med korttids vakuumbakgrunnen.

Etter vakuutørking, åpne stoppventilene helt (både væske og gass) for utendørsenheten. Dette forbinder kjølemiddelkretsene innendørs og utendørs fullstendig.

- Hvis vakuutørkingen er utilstrekkelig, forblir luft og vanddamp i kjølemiddelkretsene og kan forårsake unormal trykkøkning, unormalt trykkfall, forringelse av kjølemaskinens olje på grunn av fuktighet osv.
- Hvis stoppventilene står åpne og enheten brukes, vil kompressoren og kontrollventilene skades.
- Bruk en lekkasjedetektor eller såpevann for å kontrollere etter gasslekkasjer ved rørtilkoblingsseksjonene til utendørsenheten.
- Ikke bruk kjølemiddel fra enheten til å tømme luften fra kjølemiddellinjene.
- Etter at ventilarbeidet er fullført, trekk til ventilhettene til riktig moment: 20 til 25 N·m (200 til 250 kgf·cm). Hvis hettene ikke settes på og trekkes til igjen, kan dette føre til kjølemiddel-lekkasje. I tillegg må du se til å ikke skade innsidene på ventilhettene, da de fungerer som en tetning for å forhindre kjølemiddellekkasje.
- ⑤ Bruk tetningsmiddel til å forsegle endene på den termiske isolasjonen rundt rørbindingssesksjonene for å forhindre at det kommer vann inn i den termiske isolasjonen.

4. Installere kjølemiddelrørlegging

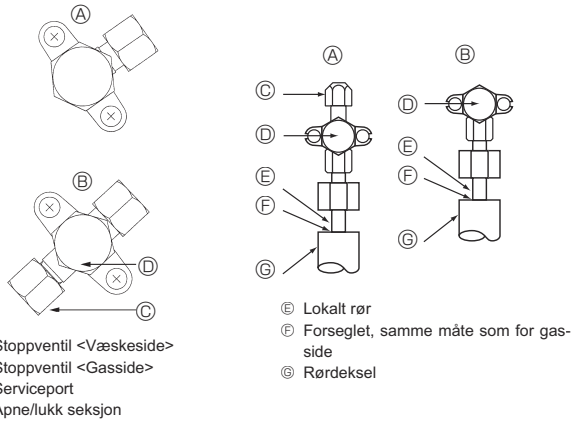


Fig. 4-4

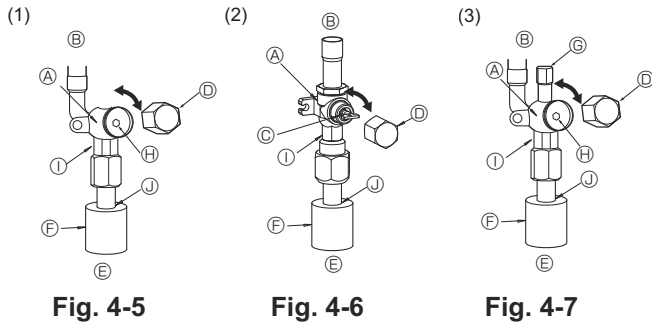


Fig. 4-5

Fig. 4-6

Fig. 4-7

- Ⓐ Ventil
- Ⓑ Enhet side
- Ⓒ Håndtak
- Ⓓ Hette
- Ⓔ Lokalside
- Ⓕ Rørdeksel
- Ⓖ Serviceport
- Ⓗ Nøkkelhull

- ① Dobbel nøkkelseksjon (Ikke bruk en annen nøkkel til denne seksjonen. Dette ville forårsake kjølemiddellekkasjer.)
- ② Forsegle seksjon (Forsegle enden av varmeisolasjonsmaterialet ved rørtilkoblingsseksjonen med hvilket som helst materiale du har for hånden, slik at vannet ikke kommer inn i varmeisolasjonsmaterialet.)

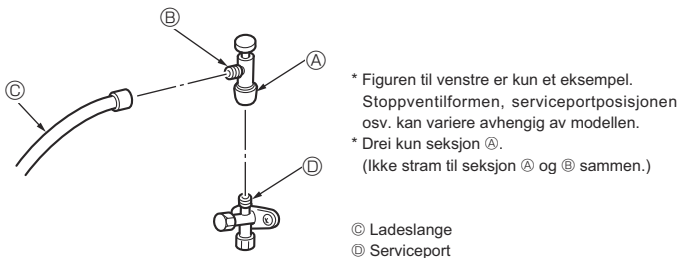


Fig. 4-8

4.4. Kjølemiddelrør lufttetthetstestingsmetode (fig. 4-4)

- (1) Koble til testeverktøyene.
 - Se til at stoppeventilene Ⓐ Ⓑ er lukket, og ikke åpne dem.
 - Tilfør trykk på kjølemiddellinjene gjennom serviceporten Ⓒ på væskestoppeventilen Ⓐ.
- (2) Ikke tilfør trykk til det spesifiserte trykket med en gang; tilsett trykk litt etter litt.
 - ① Tilfør trykk til 0,5 MPa (5 kgf/cm²G), vent i fem minutter og se til at trykket ikke reduseres.
 - ② Tilfør trykk til 1,5 MPa (15 kgf/cm²G), vent i fem minutter og se til at trykket ikke reduseres.
 - ③ Tilfør trykk til 4,15 MPa (41,5 kgf/cm²G), mål omgivelsestemperaturen og kjølemiddeltrykket.
- (3) Hvis det spesifiserte trykket holder seg i én dag og ikke synker, har rørene bestått prøven, og det er ingen lekkasjer.
 - Hvis omgivelsestemperaturen endres med 1 °C, vil trykket endres med ca. 0,01 MPa (0,1 kgf/cm²G). Gjør nødvendige korrigeringer.
- (4) Hvis trykket synker i trinn (2) eller (3), finnes en gasslekkasje. Se etter kilden til gasslekkasjen.

4.5. Stoppeventilåpningsmetoden

Stoppeventilåpningsmetoden varierer avhengig av utendørsenhetsmodellen. Bruk den egnede metoden til å åpne stoppeventilene.

- (1) Gasside på SW75 (fig. 4-5)
 - ① Fjern hetten og drei ventilstangen mot klokka så langt som mulig ved bruk av en 5 mm heksagonal nøkkel. Stopp omdreiningen når den treffer stopperen. (Ø 15,88: Ca. 13 omdreininger.)
 - ② Se til at stoppeventilen er helt åpen og roter hetten tilbake til dens opprinnelige posisjon.
- (2) Gasside på SW100, 120 (fig. 4-6)
 - ① Ta av hetten, trekk håndtaket mot deg og roter 1/4 runde mot klokka for å åpne.
 - ② Se til at stoppeventilen er helt åpen, trykk inn håndtaket og roter hetten tilbake til dens opprinnelige posisjon.
- (3) Væskeside på SW75-120 og gass-/væskeside på SW50-75 (fig. 4-7)
 - ① Fjern hetten og drei ventilstangen mot klokka så langt som mulig ved bruk av en 4 mm heksagonal nøkkel. Stopp omdreiningen når den treffer stopperen. (Ø 9,52: Ca. 10 omdreininger.)
 - ② Se til at stoppeventilen er helt åpen, trykk inn håndtaket og roter hetten tilbake til dens opprinnelige posisjon.

Kjølemiddelrør er beskyttende innpakket for SS75-120

- Rørene kan pakkes beskyttende inn opptil en diameter på Ø 90 før eller etter tilkoblingen av rørene. Kutt ut blinddekslet i rørdekslet ved å følge sporet og pakk inn rørene.

Røringsåpning for SW75-120

- Bruk kitt eller tetningsmiddel til å forsegle rørrinntaket rundt rørene, slik at det ikke blir igjen noen åpninger. (Hvis åpningene ikke lukkes, kan det slippes ut støy, eller vann og støv vil komme inn i enheten og føre til at den svikter.)

Forholdsregler ved bruk av ladeventilen (fig. 4-8)

Ikke stram serviceporten for mye ved installeringen, da dette kan føre til at ventilkjernen deformeres og blir løs, slik at det oppstår en gasslekkasje.

Etter posisjonering av seksjon Ⓑ i ønsket retning, drei kun seksjon Ⓐ og trekk til. Ikke stram til seksjon Ⓐ og Ⓑ sammen etter tiltrekking av seksjon Ⓐ.

4.6. Tilsetning av kjølemiddel

- Ekstra lading er ikke nødvendig hvis rørlengden ikke overskrider 10 m.
- Hvis rørlengden overskrider 10 m, lad enheten med mer R410A kjølemiddel i henhold til de tillatte rørlengdene i oversikten nedenfor.
 - * Når enheten stoppes, lad enheten med mer kjølemiddel gjennom væskestoppeventilen etter at rørlengdene og innendørsenheten har blitt satt under vakuum.
 - Når enheten er i drift, tilsett kjølemiddel til gasskontrollventilen ved bruk av en sikkerhetslader. Ikke tilsett væskekjølemiddel direkte til kontrollventilen.
 - * Etter å ha ladet enheten med kjølemiddel, noter tilsatt kjølemiddelmengde på serviceetiketten (festet på enheten).
 - Se "1.4. Bruk av utendørsenheter med R410A-kjølemiddel" for mer informasjon.

- Vær forsiktig når du installerer flere enheter. Tilkobling til feil innendørsenhet kan føre til unormalt høyt trykk og ha alvorlig innvirkning på driftsyttelsen.

Modell	Tillatt rørlengde	Tillatt vertikal differanse	Ekstra mengde kjølemiddellading					
			11 - 20 m	21 - 30 m	31 - 40 m	41 - 50 m	51 - 60 m	61 - 75 m
SW50	2 m - 40 m	-30 m	0,2 kg	0,4 kg	0,6 kg	—	—	—
SW75	2 m - 40 m	-30 m	0,15 kg	0,3 kg	0,6 kg	—	—	—
SW100, 120	2 m - 75 m	-30 m	0,2 kg	0,4 kg	1,0 kg	1,6 kg	2,2 kg	2,8 kg

5. Avløpsrørlegging

Utendørsenhets avløpsrørtilkobling

Når avløpsrørlegging er nødvendig, bruk avløpssokkelen eller avløpsspannen (ekstrautstyr).

	SW50	SW75	SW100, 120
Avløpssokkel	PAC-SJ08DS-E	PAC-SG61DS-E	
Tømme pannen	PAC-SG63DP-E	PAC-SG64DP-E	

6. Vannrørlegging

Minste vannmengde

Følgende vannmengde kreves i vannkretsen.

Modell	Minste vannmengde (L)
SW50	22
SW75	32
SW100	43
SW120	54

Når du bruker enheten i kjølemodus ved lave temperaturer (under 0 °C), må du påse at du har beskyttet enheten mot kulden, f.eks. ved å bruke kjølevæske.

7. Elektrisk arbeid

7.1. Utendørsenhet (fig. 7-1, fig. 7-2)

- ① Fjern servicepanelet.
- ② Legg kablene ved å se på fig. 7-1 og fig. 7-2.

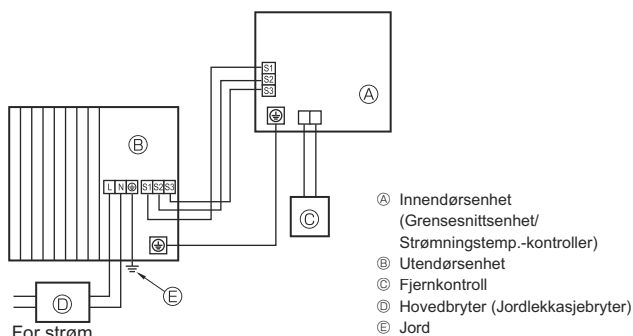
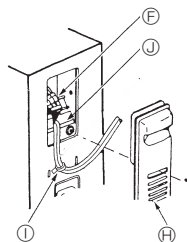


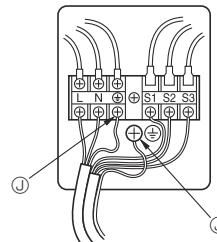
Fig. 7-1

- Ⓐ Innendørsenhet (Grensesnittsenhet/ Strømningstemp.-kontroller)
- Ⓑ Utendørsenhet
- Ⓒ Fjernkontroll
- Ⓓ Hovedbryter (Jordlekkasjebryter)
- Ⓔ Jord

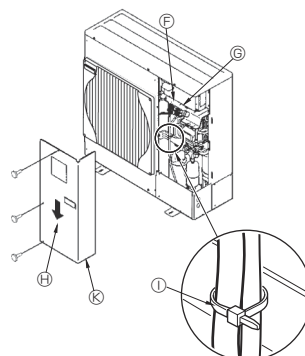
■ SW50



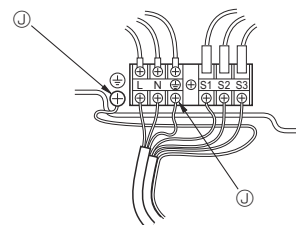
■ SW50



■ SW75-120



■ SW75-120V



■ SW100, 120Y

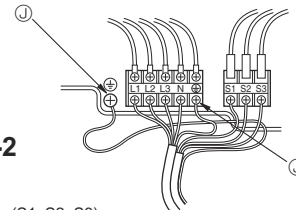


Fig. 7-2

- Ⓕ Terminalblokk
- Ⓖ Terminalblokk for innendørs-/utendørstilkobling (S1, S2, S3)
- Ⓕ Servicepanel
- Ⓖ Klemme
- Ⓖ Jordterminal
- Ⓖ Jordterminal

- * Koble kablene slik at de ikke kommer i kontakt med midten av servicepanelet eller gassventilen.
- Ⓧ Før kablene slik at de ikke kommer i kontakt med midten av servicepanelet.

Merk:

Hvis beskyttelsesplaten for den elektriske boksen fjernes i løpet av service, se til at den reinstallerer.

⚠ Forsiktig:

Sørg for å installere N-Line. Uten N-Line kan det føre til at enheten skades.

7. Elektrisk arbeid

7.2. Elektrisk feltkabling

Utendørsenhetsmodell	SW50V	SW75V	SW100V	SW120V	SW100, 120Y	
Strømforsyning for utendørsenhet	~/N (enkel), 50 Hz, 230 V	~/N (enkel), 50 Hz, 230 V	~/N (enkel), 50 Hz, 230 V	~/N (enkel), 50 Hz, 230 V	3N~ (3-f, 4 ledninger), 50 Hz, 400 V	
Utendørsenhets innmatingskapasitet, hovedbryter ^{*1} (kretsbytter)	16 A	25 A	32 A	40 A	16 A	
Kabling Lednings- x størrelse (mm ²)	Strømforsyning for utendørsenhet	3 x min. 1,5	3 x min. 2,5	3 x min. 4	3 x min. 6	5 x min. 1,5
	Innendørsenhet - utendørsenhet ^{*2}	3 x 1,5 (polar)	3 x 1,5 (polar)	3 x 1,5 (polar)	3 x 1,5 (polar)	3 x 1,5 (polar)
	Innendørsenhet - utendørsenhet, jording ^{*2}	1 x min. 1,5	1 x min. 1,5	1 x min. 1,5	1 x min. 1,5	1 x min. 1,5
	Fjernkontroll, innendørsenhet ^{*3}	2 x 0,3 (ikke-polar)	2 x 0,3 (ikke-polar)	2 x 0,3 (ikke-polar)	2 x 0,3 (ikke-polar)	2 x 0,3 (ikke-polar)
Merkeidata for krets	Utendørsenhet L-N (enkelt)	230 VAC	230 VAC	230 VAC	230 VAC	230 VAC
	Utendørsenhet L1-N, L2-N, L3-N (3-faset)	230 VAC	230 VAC	230 VAC	230 VAC	230 VAC
	Innendørsenhet - utendørsenhet S1 - S2 ^{*4}	230 VAC	230 VAC	230 VAC	230 VAC	230 VAC
	Innendørsenhet - utendørsenhet S2 - S3 ^{*4}	24 VDC	24 VDC	24 VDC	24 VDC	24 VDC
Fjernkontroll, innendørsenhet ^{*4}	12 VDC	12 VDC	12 VDC	12 VDC	12 VDC	

*1. Det må skaffes en bryter med minst 3,0 mm kontaktavstand i hver pol. Bruk jordingsbryter (NV).

Påse at den nåværende overledningsbryteren er kompatibel med høyere harmoniske oversvingninger.

Siden denne enheten er utstyrt med en vekselretter, må det alltid brukes en overledningsbryter som er kompatibel med høyere harmoniske oversvingninger.

Bruk av en upassende bryter kan føre til feil i vekselretteren.

*2. Maks. 45 m

Dersom 2,5 mm² brukes, maks. 50 m

Dersom 2,5 mm² brukes og S3 separat, maks. 80 m

*3. Ledningen på 10 m er festet til fjernkontrolltilbehøret.

*4. Tallene analyserer IKKE alltid mot jordingen.

S3-terminal har 24 VDC mot S2-terminal. Men mellom S3 og S1, er disse terminalene IKKE elektrisk isolert av omformereren eller den andre enheten.

Merknader: 1. Kablingstørrelsen må være i samsvar med gjeldende lokale og nasjonale lover.

2. Strømforsyningskabler og kablene mellom grensesnittsenheten/strømningstemp.-kontrolleren og utendørsenheten skal ikke være lettere enn polykloropreninnhylsede fleksible kabler. (Design 60245 IEC 57)

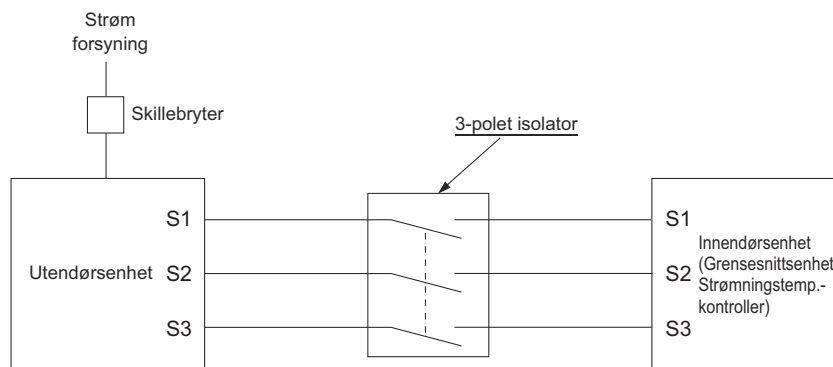
3. Se til å koble kablene mellom grensesnittsenheten/strømningstemp.-kontrolleren og utendørsenheten direkte til enhetene (ingen mellomkoblinger er tillatt).

Mellomkoblinger kan føre til kommunikasjonsfeil. Hvis det kommer vann inn i mellomkoblingspunktet, kan det forårsake utilstrekkelig isolasjon til jord eller en dårlig elektrisk kontakt.

(Hvis en mellomkobling er nødvendig, se til å ta tiltak for å forhindre at vann kommer inn i kablene.)

4. Installer en jordkabel som er lengre enn andre kabler.

5. Ikke konstruer et system med en strømforsyning som slås PÅ og AV hyppig.

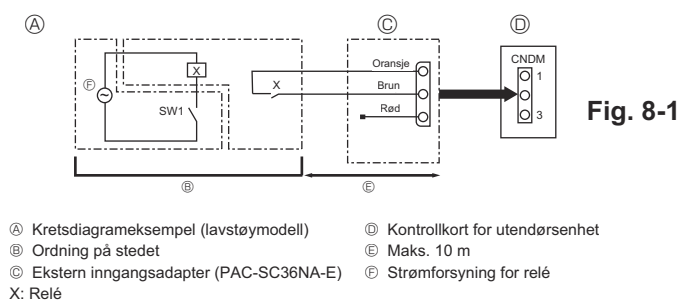


⚠ Advarsel:

- I tilfelle A-kontrollkabling er det mulighet for høyspenning på S3-terminalen som forårsakes av en elektrisk kretsdesign som ikke har noen elektrisk isolasjon mellom strømledningen og kommunikasjonssignallinjen. Derfor må du slå av hovedstrømforsyningen under utføring av service. Og ikke berør S1-, S2-, S3-terminalene når strømmen ledes. Hvis isolatoren skal brukes mellom innendørsenheten og utendørsenheten, bruk 3-polet type.

Sples aldri strømkabelen eller innendørs-utendørs tilkoblingskabel, ellers kan det føre til røyk, brann eller kommunikasjonssvikt.

8. Spesialfunksjoner



8.1. Lav støymodus (modifikasjon på stedet) (fig. 8-1)

Ved å gjennomføre følgende modifisering, kan driftsstøyen til utendørsenheten reduseres med omtrent 3-4 dB.

Den lave støymodusen vil aktiveres når en kommersielt tilgjengelig timer eller kontaktinngang på en PÅ/AV-bryter legges til CNDM-koblingen (ekstrautstyr) på kontrollkortet til utendørsenheten.

- Evnen varierer i henhold til utendørstemperaturen og -forholdene osv.
- ① Fullfør kretsen slik som vist ved bruk av den eksterne inngangsadapteren (PAC-SC36NA-E). (Ekstrautstyr)
- ② SW7-1 (Kontrollkort for utendørsenhet): AV
- ③ SW1 PÅ: Lav støymodus
SW1 AV: Normal drift

8.2. Kjøllemiddelsamling (pumpe nede)

Utfør følgende prosedyrer for å samle kjølevæsken ved flytting av innendørs-enheten eller utendørsenheten.

- ① Forsyningsstrøm (kretsbyteren).
 - * Når strøm forsynes, se til at ikke "SENTRALT KONTROLLERT" vises på fjernkontrollen. Hvis "SENTRALT KONTROLLERT" vises, kan ikke kjølemiddelsamlingen (pumpe nede) fullføres normalt.
 - * Oppstart av innendørs-utendørs-kommunikasjonene tar omtrent 3 minutter etter at strømmen (kretsbyteren) er slått på. Start pumpe ned-operasjonen 3 til 4 minutter etter at strømmen (kretsbyteren) er slått PÅ.
 - * I tilfelle flerenhetskontroll å koble fra kablingen før du slår på strømmen mellom master innendørsenheten og slave innendørsenheten. For ytterligere opplysninger Se installasjonshåndboken for innendørsenheten.
- ② Etter at væskeventilen er lukket, still SWP-bryteren på kontrollkortet til utendørsenheten til ON. Kompressoren (utendørsenheten) og ventilatorene (innendørs- og utendørsenheten) begynner driften, og kjølemiddelsamlingsdriften begynner. LED1 og LED2 på kontrollkortet til utendørsenheten er tent.
 - * Still kun SWP-bryteren (trykknappstype) til PÅ hvis enheten stoppes. Men selv om enheten stoppes og SWP-bryteren er stillt på PÅ mindre enn 3 minutter etter at kompressoren stopper, kan kjølemiddelsamlingsdriften ikke utføres. Vent inntil kompressoren har vært stoppet i 3 minutter og still deretter SWP-bryteren til PÅ igjen.

- ③ Fordi enheten automatisk stopper etter ca. 2 til 3 minutter når kjølemiddelsamlingsdriften er fullført (LED1 av, LED2 tent), se til at du hurtig lukker gasstoppventilen. Hvis LED1 er tent og LED2 er av og utendørsenheten stoppes, er ikke kjølemiddelsamlingen riktig gjennomført. Åpne væskestoppventilen helt, og gjenta deretter trinn ② etter at det har gått 3 minutter.
 - * Hvis kjølemiddelsamlingsdriften har blitt fullført normalt (LED1 av, LED2 tent), vil enheten holdes stoppet inntil strømforsyningen slås av.
- ④ Slå av strømforsyningen (kretsbyteren).
 - * Merk at når forlengelsesrørleggingen er svært lang med stor kjølemiddelmengde, er det kanskje ikke mulig å utføre en pumpe ned-operasjon. Ved utføring av pumpe ned-operasjonen, se til at lavtrykket senkes til nesten 0 MPa (måler).

⚠ Advarsel:

Ved nedpumping av kjølemiddelet må kompressoren stoppes før kjølemiddelet kobles fra. Kompressoren kan sprekke hvis det kommer luft osv. inn i den.

9. Systemkontroll

Still kjølemiddeladressen ved bruk av dippbryteren til utendørsenheten.

SW1-funksjonsinnstillinger

SW1-innstillinger	Kjølemiddel adresse	SW1-innstillinger	Kjølemiddel adresse
PÅ AV 3 4 5 6 7	00	PÅ AV 3 4 5 6 7	03
PÅ AV 3 4 5 6 7	01	PÅ AV 3 4 5 6 7	04
PÅ AV 3 4 5 6 7	02	PÅ AV 3 4 5 6 7	05

Merk:

- a) Inntil 6 deler kan kobles til.
- b) Velg én enkelt modell for alle enheter.
- c) For dippbryterinnstillinger for innendørsenhet, se innendørsenhetens installasjons-håndbok.

10. Spesifikasjoner

Utendørsmodell		PUHZ-SW50VKA	PUHZ-SW75VHA	PUHZ-SW100VHA	PUHZ-SW120VHA	PUHZ-SW100YHA	PUHZ-SW120YHA
Strømforsyning	V / Fase / Hz	230 / Enkel / 50				400 / Tre / 50	
Mål (B × H × D)	mm	809 × 630 × 360	950 × 943 × 330(+30)	950 × 1350 × 330(+30)			
Lydnivå *1							
SPL	Oppvarming	dB(A)	46	51	54	54	54
	Nedkjøling	dB(A)	46	48	50	51	50
PWL	Oppvarming	dB(A)	63	69	70	72	72

*1 målt under nominell driftsfrekvens.

Sisällys

1. Turvallisuusohjeet	119	6. Vesiputkityöt	125
2. Asennuspaikka	120	7. Sähkötyöt	125
3. Ulkoyksikön asennus	122	8. Erikoistoiminnot	127
4. Kylmäaineputkiston asennus	122	9. Järjestelmän ohjaus	127
5. Tyhjennysputkityöt	125	10. Tekniset tiedot	127



Huomautus: Tämä symboli on vain EU-maita varten.

Tämä symboli on direktiivin 2012/19/EU artiklan 14, Käyttäjille annettavat tiedot, ja liitteen IX mukainen.

MITSUBISHI ELECTRIC -tuote on suunniteltu ja valmistettu korkealaatuisista materiaaleista ja osista, jotka voidaan kierrättää ja/tai käyttää uudelleen.

Tämä symboli tarkoittaa, että sähkö- ja elektroniikkalaitteet on hävitettävä niiden käyttöänsä jälkeen erillään talousjätteestä.

Hävitä tämä laitteisto asianmukaisesti paikallisessa jätehuolto/kierrätyskeskuksessa.

Euroopan Unionissa on erilliset keräysjärjestelmät käytetyille sähkö- ja elektroniikkalaitteille.

Auta meitä suojelemaan ympäristöä, jossa elämme!

⚠️ Huomio:

• Älä päästä R410A:ta ilmakehään:

• R410A on Kioton pöytäkirjan piiriin kuuluva fluorattu kasvihuonekaasu, jonka ilmaston lämpenemispotentiaali (GWP) = 1975.

1. Turvallisuusohjeet

- ▶ Muista lukea kaikki turvallisuusohjeet ennen yksikön asentamista.
- ▶ Ota yhteyttä jakeluviranomaiseen ennen liittämistä järjestelmään.

⚠️ Varoitus:

Kuvaa ohjeita, joita täytyy noudattaa käyttäjän vammojen tai kuoleman välttämiseksi.

⚠️ Huomio:

Kuvaa ohjeita, joita täytyy noudattaa yksikön vahingoittumisen välttämiseksi.

⚠️ Varoitus:

- Käyttäjä ei saa asentaa yksikköä. Pyydä jälleenmyyjää tai valtuutettua tekniikkaa asentamaan yksikkö. Jos yksikkö asennetaan väärin, seurauksena voi olla vesivuotoja, sähköiskuja tai tulipalo.
- Noudata asennustyössä asennusoppaan ohjeita ja käytä erityisesti R410A-kylmäaineen kanssa käytettäviksi tarkoitettuja työkaluja ja putkiosia. HFC-järjestelmän R410A-kylmäaine paineistetaan 1,6 kertaa tavallisten kylmäaineiden paineeseen. Jos käytetään putkiosia, joita ei ole tarkoitettu R410A-kylmäaineelle, eikä yksikköä asenneta oikein, putket voivat haljeta ja aiheuttaa vaurioita tai vammoja. Lisäksi seurauksena voi olla vesivuotoja, sähköisku tai tulipalo.
- Yksikkö täytyy asentaa ohjeiden mukaisesti maanjäristysten, hirmumyrskyjen tai voimakkaiden tuulten aiheuttamien vaurioiden vaaran minimoimiseksi. Väärin asennettu yksikkö voi pudota ja aiheuttaa vaurioita tai vammoja.
- Yksikkö täytyy asentaa tukevasti rakenteeseen, joka kantaa sen painon. Jos yksikkö kiinnitetään epävakaiseen rakenteeseen, se voi pudota ja aiheuttaa vaurioita tai vammoja.
- Jos ulkoyksikkö asennetaan pieneen huoneeseen, on huolehdittava siitä, että mahdollinen kylmäainevuoto ei saa huoneen kylmäainepitoisuuden turvallisuusrajaa ylittymään. Kysy jälleenmyyjältä neuvoja asianmukaisista toimenpiteistä, joiden avulla estetään sallitun pitoisuuden ylittyminen. Jos kylmäainetta vuotaa ja aiheuttaa pitoisuusrajan ylittymisen, seurauksena voi olla huoneen hapenpuutteesta johtuvia vaaroja.
- Tuuleta huone, jos kylmäainetta vuotaa käytön aikana. Jos kylmäainetta joutuu kosketuksiin avotulen kanssa, myrkyllisiä kaasuja vapautuu.
- Valtuutetun asentajan on tehtävä kaikki sähkötyöt paikallisten määräysten ja tämän oppaan ohjeiden mukaisesti. Yksiköiden virta täytyy syöttää tarkoitukseen varatuista voimajohdoista. Lisäksi on käytettävä oikeaa jännitettä ja virtakytkimiä. Voimajohdot, joiden kapasiteetti on liian pieni, tai virheelliset sähkötyöt voivat aiheuttaa sähköiskun tai tulipalon.
- Käytä C1220-kuparifosforia saumattomiin kupari- ja kupariseosputkiin kylmäaineputkien liittämistä varten. Jos putkia ei liitetä oikein, yksikkö ei ole asianmukaisesti maadoitettu ja seurauksena voi olla sähköisku.

Kun asennustyöt on tehty, selitä asiakkaalle yksikön turvallisuusohje, käyttö ja huolto käyttöoppaan tietojen mukaisesti. Suorita koekäyttö normaalin toiminnan varmistamiseksi. Sekä asennusoppas että käyttöoppas täytyy antaa käyttäjälle säilytettäväksi. Nämä oppaat täytyy luovuttaa myöhemmille käyttäjille.

⚠️ : Osoittaa osan, joka täytyy maadoittaa.

⚠️ Varoitus:

Lue huolellisesti pääyksikköön kiinnitetut tarrat.

- Käytä johdotukseen vain määritettyjä kaapeleita. Johdinliitännät on tehtävä tiukasti niin, että liitännöihin ei kohdistu rasitusta. Älä myöskään koskaan yhdistä johdinkaapeleita (ellei tässä asiakirjassa toisin mainita).
- Näiden ohjeiden laiminlyönti voi aiheuttaa ylikuumenemisen tai tulipalon.
- Ulkoyksikön riviliittimen suojapaneeli täytyy kiinnittää kunnolla. Jos suojapaneeli kiinnitetään väärin ja yksikköön pääsee pölyä ja kosteutta, seurauksena voi olla sähköisku tai tulipalo.
- Kun ulkoyksikköä asennetaan, siirretään tai huolletaan, käytä kylmäainelinjojen täyttöön vain määritettyä kylmäainetta (R410A). Älä sekoita siihen muita kylmäaineita äläkä jätä linjoihin ilmaa. Jos kylmäaineeseen sekoittuu ilmaa, se voi aiheuttaa kylmäaineputkistossa epätavallisen korkean paineen, josta voi seurata räjähdys ja muita vaaroja. Muun kuin määritetyn kylmäaineen käyttäminen aiheuttaa mekaanisen vian, järjestelmän toimintahäiriön tai yksikön rikkoutumisen. Pahimmassa tapauksessa se voi johtaa tuotteen turvallisuuden vakavaan heikentymiseen.
- Käytä vain Mitsubishi Electricin määrittämiä tarvikkeita ja pyydä jälleenmyyjää tai valtuutettua tekniikkaa asentamaan ne. Jos tarvikkeita asennetaan väärin, seurauksena voi olla vesivuotoja, sähköiskuja tai tulipalo.
- Älä muuta yksikköä. Neuvottele jälleenmyyjän kanssa korjauksista. Jos muutoksia tai korjauksia ei suoriteta oikein, seurauksena voi olla vesivuoto, sähköisku tai tulipalo.
- Käyttäjä ei koskaan saa yrittää korjata yksikköä tai siirtää sitä toiseen paikkaan. Jos yksikkö asennetaan väärin, seurauksena voi olla vesivuotoja, sähköiskuja tai tulipalo. Jos ulkoyksikkö täytyy korjata tai siirtää, ota yhteyttä jälleenmyyjään tai valtuutettuun teknikkoon.
- Tarkista asennuksen jälkeen, ettei kylmäainetta vuotaa. Jos kylmäainetta vuotaa huoneeseen ja joutuu kosketuksiin lämmittimen tai siirrettävän lieden liekin kanssa, myrkyllisiä kaasuja vapautuu.

1.1. Ennen asennusta

⚠️ Huomio:

- Älä käytä yksikköä epätavallisessa ympäristössä. Jos ulkoyksikkö asennetaan paikkaan, jossa se on alttiina höyrylle, eteerisille öilyille (mukaan lukien koneöljy) tai rikkikaasulle, tai paikkaan, jonka suolapitoisuus on korkea (kuten merenrannalle), tai paikkaan, jossa lumi voi peittää sen, suorituskyky voi heikentyä merkittävästi ja sisäiset osat voivat vaurioitua.
- Älä asenna yksikköä paikkaan, jossa syttyviä kaasuja voi vuotaa, syntyä, virrata tai kerääntyä. Jos syttyvää kaasua kerääntyy yksikön ympärille, se voi aiheuttaa tulipalon tai räjähdyksen.
- Ulkoyksikkö tuottaa kondenssivettä lämmityskäytön aikana. Muista huolehtia vedenpoistosta ulkoyksikön ympärillä, jos kondenssivesi voi aiheuttaa vaurioita.
- Kun yksikkö asennetaan sairaalaan tai tietoliikennetoimistoon, varaudu kohinaan ja elektroniseen häiriöön. Invertterit, kodinkoneet, korkeataajuiset lääketieteelliset laitteet ja radiotiedonsiirtojärjestelmät voivat aiheuttaa ulkoyksikön toimintahäiriön tai rikkoutumisen. Ulkoyksikkö voi myös vaikuttaa lääkinnällisiin laitteisiin sekä häiritä lääkintähuoltoa ja tietoliikennelaitteita, mikä haittaa monitorin näyttölaatu.

1. Turvallisuusohjeet

1.2. Ennen asennusta (siirtämistä)

⚠ Huomio:

- Ole erittäin varovainen, kun siirrät tai asennat yksiköitä. Yksikön käsittelemiseen tarvitaan vähintään 2 henkilöä, sillä se painaa 20 kg tai enemmän. Älä pidä kiinni pakkausvanteista. Käytä suojakäsineitä yksikön poistamiseen pakkauksesta ja sen siirtämiseen, jotta rivat tai muiden osien reunat eivät vahingoita käsiäsi.
- Hävitä pakkausmateriaali turvallisesti. Pakkausmateriaalit, kuten naulat ja muut metalliset tai puiset osat voivat aiheuttaa pistohaavoja tai muita vammoja.

- Ulkoyksikön jalusta ja lisäosat täytyy tarkistaa säännöllisesti löystymisen, murtumien tai muiden vaurioiden varalta. Jos tällaiset viat jätetään korjaamatta, yksikkö voi pudota ja aiheuttaa vaurioita tai vammoja.
- Älä puhdistu ulkoyksikköä vedellä. Seurauksena voi olla sähköisku.
- Kiristä kaikki laippamutterit määrätyksen mukaisesti momenttiavaimella. Jos laippamutteria kiristetään liikaa, se voi ajan myötä murtua, jolloin kylmäainetta vuotaa ulos.

1.3. Ennen sähköitöitä

⚠ Huomio:

- Muista asentaa suojakatkaisimet. Jos niitä ei asenneta, seurauksena voi olla sähköisku.
- Käytä virtajohtoina tavallisia kaapeleita, joiden kapasiteetti on riittävä. Muuten seurauksena voi olla oikosulku, ylikuumeneminen tai tulipalo.
- Kun asennat virtajohtoja, älä kohdistu kaapeleihin jännitystä. Jos liitännät ovat löysällä, kaapelit voivat katketa tai murtua, mistä voi seurata ylikuumeneminen tai tulipalo.

- Muista maadoittaa yksikkö. Älä liitä maadoitusjohdinta kaasu- tai vesiputkiin, ukkosenjohdattimiin tai puhelimen maadoituslinjoihin. Jos yksikköä ei maadoiteta asianmukaisesti, seurauksena voi olla sähköisku.
- Käytä suojakatkaisimia (vikavirtakatkaisin, eristyskytkin (+B-sulake) ja valetussa kotelossa oleva suojakatkaisin), joiden kapasiteetti on määrityksen mukainen. Jos käytetään suojakatkaisinta, jonka kapasiteetti on määritystä suurempi, seurauksena voi olla rikkoutuminen tai tulipalo.

1.4. R410A-kylmäainetta käyttävien ulkoyksiköiden käyttäminen

⚠ Huomio:

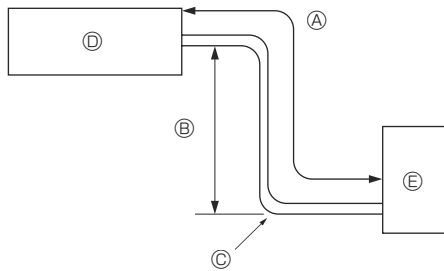
- Käytä C1220-kuparifosforia saumattomiin kupari- ja kupariseosputkiin kylmäaineputkien liittämistä varten. Varmista, että putkien sisäpuolet ovat puhtaat eivätkä sisällä mitään haitallisia epäpuhtauksia, kuten rikkiyhdisteitä, oksidantteja, likaa tai pölyä. Käytä määritetyn paksuisia putkia. (Katso kohta 4.1.) Ota huomioon seuraavat seikat, jos käytetään uudelleen olemassa olevia putkia, joissa on ollut R22-kylmäainetta.
 - Vaihda nykyiset laippamutterit ja laipoita laipoitetut osat uudelleen.
 - Älä käytä ohuita putkia. (Katso kohta 4.1.)
- Säilytä asennukseen käytettävät putket sisätiloissa ja pidä putkien kummatkin päät suljettuina aina juotoshetken asti. (Jätä kulumaliitokset yms. pakkauksiinsa.) Jos kylmäaineputkiin pääsee pölyä, likaa tai kosteutta, seurauksena voi olla öljyn pilaantumista tai kompressorin rikkoutuminen.
- Levitä kylmäaineöljynä eetteri-, ester- tai alkylibentseeniöljyä (pieni määrä) laipoitettuihin osiin. Jos kylmäaineöljyyn sekoittuu mineraaliöljyä, öljy voi pilaantua.

- Älä käytä muuta kuin R410A-kylmäainetta. Jos käytetään jotain muuta kylmäainetta, kloori saa öljyn pilaantumaan.
- Käytä seuraavia työkaluja, jotka on suunniteltu erityisesti käytettäväksi R410A-kylmäaineen kanssa. R410A-kylmäaineen käyttöön tarvitaan seuraavat työkalut. Jos sinulla on kysyttävää, ota yhteyttä lähimpään jälleenmyyjään.

Työkalut (R410A:ta varten)	
Mittariputki	Laipoitustyökalu
Täyttöletku	Koon säätömitta
Kaasuvuodon ilmaisim	Tyhjöpumpun sovitin
Momenttiavain	Elektroninen kylmäaineen lisäysvaaka

- Muista käyttää oikeita työkaluja. Jos kylmäaineputkiin pääsee pölyä, likaa tai kosteutta, seurauksena voi olla kylmäaineöljyn pilaantuminen.
- Älä käytä täyttösylinteriä. Jos käytetään täyttösylinteriä, kylmäaineen koostumus muuttuu ja tehokkuus heikkenee.

2. Asennuspaikka



Kuva 2-1

2.1. Kylmäaineputki (kuva 2-1)

- Tarkista, että sisä- ja ulkoyksiköiden välinen korkeusero, kylmäaineputken pituus ja putken mutkien määrä ovat alla ilmoitettujen rajojen mukaiset.

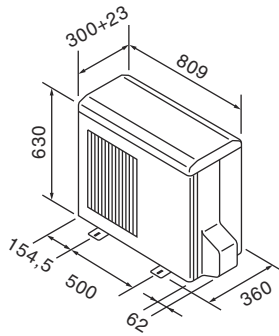
Malli	Ⓐ Putken pituus (yksi suunta)	Ⓢ Korkeusero	Ⓒ Mutkien määrä (yksi suunta)
SW50	2 m - 40 m	Maks. 30 m	Maks. 15
SW75	2 m - 40 m	Maks. 30 m	Maks. 15
SW100, 120	2 m - 75 m	Maks. 30 m	Maks. 15

- Korkeuserorajoitus pätee riippumatta siitä, onko korkeammalle sijoitettava yksikkö sisä- vai ulkoyksikkö.

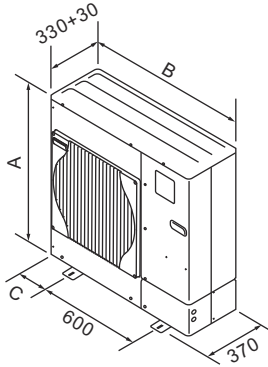
- Ⓢ Sisäyksikkö
- Ⓒ Ulkoyksikkö

2. Asennuspaikka

■ SW50

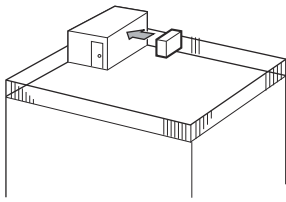


■ SW75, 100, 120

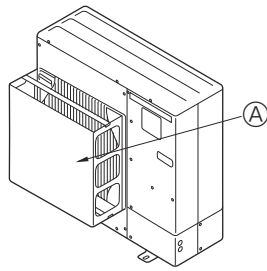


Malli	A (mm)	B (mm)	C (mm)
SW75	943	950	175
SW100	1350	950	175
SW120	1350	950	175

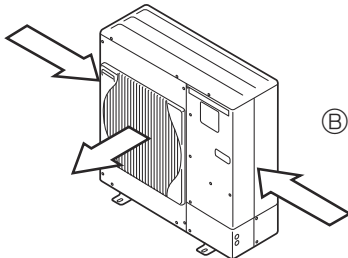
Kuva 2-2



Kuva 2-3



Kuva 2-4



Kuva 2-5

(mm)

2.2. Ulkoyksikön asennuspaikan valinta

- Vältä paikkoja, jotka ovat alttiina suoralle auringonvalolle tai muille lämmönlähteille.
- Valitse paikka, jossa laitteen tuottama melu ei häiritse naapureita.
- Valitse paikka, jossa virtalähteen ja sisäyksikön johdotus ja pääsy käsiksi putkiin on helppoa.
- Vältä paikkoja, jossa syttyviä kaasuja voi vuotaa, syntyä, virrata tai kerääntyä.
- Huomaa, että yksiköstä voi tulla kondenssivettä käytön aikana.
- Valitse tasainen paikka, joka kestää yksikön painon ja värinän.
- Vältä paikkoja, joissa yksikkö voi peittyä lumeen. Mahdollisesti runsaslumisilla alueilla on ryhdyttävä erityistoimenpiteisiin, jotta estetään lunta tukkimasta ilmanottoa tai puhaltamasta suoraan sitä päin, esimerkiksi asentamalla yksikkö korkeammalle paikalle tai asentamalla ilmanottoon huppu. Tämä voi pienentää ilmavirtaa, ja seurauksena voi olla toimintahäiriö.
- Vältä paikkoja, jotka ovat alttiina öljylle, höyrylle tai rikkikaasulle.
- Siirrä ulkoyksikköä käyttämällä sen siirtokahvoja. Jos yksikköä kannetaan pohjasta, kädet tai sormet voivat jäädä puristuksiin.

2.3. Ulkomitat (ulkoyksikkö) (kuva 2-2)

2.4. Ilmanvaihto ja huoltotila

2.4.1. Asennus tuuliseen paikkaan

Kun ulkoyksikkö asennetaan katolle tai muuhun paikkaan, jossa se ei ole suojassa tuulelta, älä asenna yksikön ilman poistoaukkoa niin, että se on suoraan alttiina voimakkaalle tuulille. Ilman poistoaukkoon pääsevä voimakas tuuli voi haitata normaalia ilmavirtausta ja aiheuttaa toimintahäiriön.

Seuraavassa on kolme esimerkkiä voimakkailla tuulilla suojautumiseen.

- ① Suuntaa ilman poistoaukko kohti lähintä saatavilla olevaa seinää noin 50 cm:n päästä. (Kuva 2-3)
- ② Asenna valinnainen ilmanohjain, jos yksikkö asennetaan paikkaan, jossa voimakkaat tuulet, kuten hirmumyrsky tms., voi puhaltaa suoraan ilman poistoaukkoon. (Kuva 2-4)
 - Ⓐ Ilman poistoaukon ohjain
- ③ Sijoita yksikkö niin, että poistoilma puhalletaan suorassa kulmassa vuodenaikaiseen tuulen suuntaan nähden, mikäli mahdollista. (Kuva 2-5)
 - Ⓑ Tuulen suunta

2.4.2. Kun asennetaan yksi ulkoyksikkö (katso viimeinen sivu)

Minimimitat ovat seuraavat, paitsi kun maksimitat (Max.) on mainittu.

Sulkeissa olevat luvut ovat malleja SW100, 120 varten.

Katso kunkin tapauksen luvut.

- ① Esteitä vain takana (kuva 2-6)
- ② Esteitä vain takana ja yläpuolella (kuva 2-7)
 - Älä asenna valinnaisia ilmanpoiston ohjaimia ylöspäin suuntautuvaa ilmavirtaa varten.
- ③ Esteitä vain takana ja sivuilla (kuva 2-8)
 - * 350 malleille SW50.
- ④ Esteitä vain edessä (kuva 2-9)
 - * Kun käytetään valinnaista ilmanpoiston ohjainta, mallien SW100, 120 vällys on vähintään 500 mm.
- ⑤ Esteitä vain edessä ja takana (kuva 2-10)
 - * Kun käytetään valinnaista ilmanpoiston ohjainta, mallien SW100, 120 vällys on vähintään 500 mm.
- ⑥ Esteitä vain takana, sivuilla ja yläpuolella (kuva 2-11)
 - * 350 malleille SW50.
 - Älä asenna valinnaisia ilmanpoiston ohjaimia ylöspäin suuntautuvaa ilmavirtaa varten.

2.4.3. Kun asennetaan useita ulkoyksiköitä (katso viimeinen sivu)

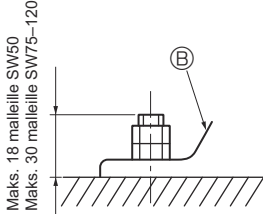
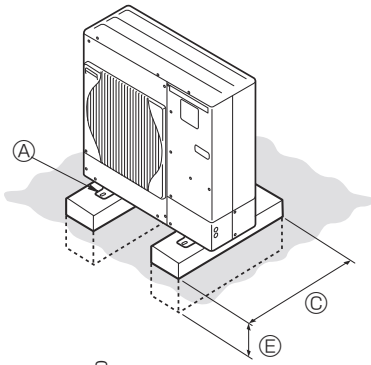
Jätä vähintään 350 mm tilaa mallien SW50 ja 10 mm mallien SW75-120 yksiköiden väliin.

Sulkeissa olevat luvut ovat malleja SW100, 120 varten.

Katso kunkin tapauksen luvut.

- ① Esteitä vain takana (kuva 2-12)
- ② Esteitä vain takana ja yläpuolella (kuva 2-13)
 - Enintään 3 yksikköä voidaan asentaa vierekkäin. Jätä lisäksi tilaa kuvan mukaisesti.
 - Älä asenna valinnaisia ilmanpoiston ohjaimia ylöspäin suuntautuvaa ilmavirtaa varten.
- ③ Esteitä vain edessä (kuva 2-14)
 - * Kun käytetään valinnaista ilmanpoiston ohjainta, mallien SW100, 120 vällys on vähintään 1000 mm.
- ④ Esteitä vain edessä ja takana (kuva 2-15)
 - * Kun käytetään valinnaista ilmanpoiston ohjainta, mallien SW100, 120 vällys on vähintään 1000 mm.
- ⑤ Yhden rinnakkaisyksikön järjestely (kuva 2-16)
 - * Kun käytetään valinnaista ilmanpoiston ohjainta ylöspäin suuntautuvaa ilmavirtaa varten, vällys on vähintään 500 (1000) mm.
- ⑥ Usean rinnakkaisyksikön järjestely (kuva 2-17)
 - * Kun käytetään valinnaista ilmanpoiston ohjainta ylöspäin suuntautuvaa ilmavirtaa varten, vällys on vähintään 1000 (1500) mm.
- ⑦ Pinottujen yksiköiden järjestely (kuva 2-18)
 - Yksiköt voidaan pinota enintään 2 yksikköä korkeaksi.
 - Enintään 2 pinottua yksikköä voidaan asentaa vierekkäin. Jätä lisäksi tilaa kuvan mukaisesti.

3. Ulkoyksikön asennus



- Maks. 18 malleille SW50
Maks. 30 malleille SW75-120
- Ⓐ M10 (3/8") pultti
 - Ⓑ Jalusta
 - Ⓒ Mahdollisimman pitkä
 - Ⓓ Ilmareikä
 - Ⓔ Aseta syväälle maahan

(mm)

- Asenna yksikkö tukevalle ja tasaiselle pinnalle käytönaikaisen rämisevän melun välttämiseksi. (Kuva 3-1)

<Perustuksen tiedot>

Ankkuripultti	M10 (3/8")
Betonin paksuus	120 mm
Pultin pituus	70 mm
Kantavuus	320 kg

- Varmista, että ankkuripultin pituus on 30 mm:n sisällä jalustan alapinnasta.
- Kiinnitä yksikön jalusta tiukasta neljällä M10-ankkuripultilla tukeviin kohtiin.

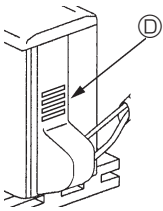
Ulkoyksikön asennus

- Älä tuki ilmareikää. Jos ilmareikää tukitaan, käyttö vaikeutuu ja seurauksena voi olla rikkoutuminen.
- Yksikön jalustan lisäksi käytä yksikön takana olevia asennusreikiä rautalankojen tms. kiinnittämiseen, jos sellaisia tarvitaan yksikön asentamiseen. Käytä itsekierteittäviä ruuveja (enintään $\phi 5 \times 15$ mm) ja asenna asennuspaikalla.

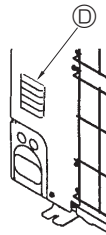
⚠ Varoitus:

- Yksikkö täytyy asentaa tukevasti rakenteeseen, joka kantaa sen painon. Jos yksikkö kiinnitetään epävakaaseen rakenteeseen, se voi pudota ja aiheuttaa vaurioita tai vammoja.**
- Yksikkö täytyy asentaa ohjeiden mukaisesti maanjäristysten, hirmumyrskyjen tai voimakkaiden tuulten aiheuttamien vaurioiden vaaran minimoimiseksi. Väärin asennettu yksikkö voi pudota ja aiheuttaa vaurioita tai vammoja.**

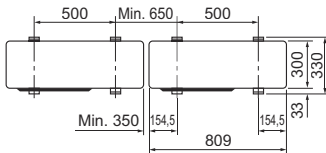
■ SW50



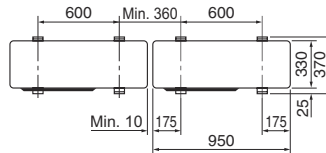
■ SW75-120



■ SW50



■ SW75-120



Kuva 3-1

4. Kylmäaineputkiston asennus

4.1. R410A-kylmäainetta käyttäviä laitteita koskevat ohjeet

- Katso kohdasta 1.4. R410A-kylmäainetta käyttäviä ulkoyksiköitä koskevia muita ohjeita.
- Levitä kylmäaineöljynä eetteri-, ester- tai alkyylibentseeniöljyä (pieni määrä) laipoitettuihin osiin.
- Käytä C1220-kuparifosforia saumattomiin kupari- ja kupariseosputkiin kylmäaineputkien liittämistä varten. Käytä kylmäaineputkia, joiden paksuus on alla olevan taulukon mukainen. Varmista, että putkien sisäpuolet ovat puhtaat eivätkä sisällä mitään haitallisia epäpuhtauksia, kuten rikkiyhdisteitä, oksidantteja, likaa tai pölyä. Käytä aina hapettumatonta juottoa putkia juottaessasi; muuten kompressori vaurioituu.

⚠ Varoitus:

Kun ulkoyksikköä asennetaan, siirretään tai huolletaan, käytä kylmäainelinjojen täyttöön vain määrättyä kylmäainetta (R410A). Älä sekoita siihen muita kylmäaineita äläkä jätä linjoihin ilmaa.

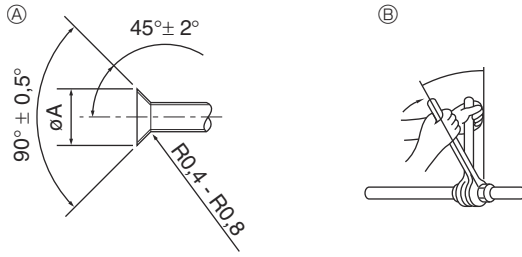
Jos kylmäaineeseen sekoittuu ilmaa, se voi aiheuttaa kylmäaineputkistossa epätavallisen korkean paineen, josta voi seurata räjähdys ja muita vaaroja.

Muun kuin määrätyn kylmäaineen käyttäminen aiheuttaa mekaanisen vian, järjestelmän toimintahäiriön tai yksikön rikkoutumisen. Pahimmassa tapauksessa se voi johtaa tuotteen turvallisuuden vakavaan heikentymiseen.

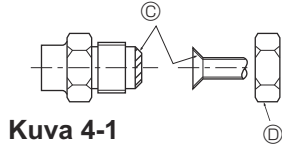
Putken koko (mm)	$\phi 6,35$	$\phi 9,52$	$\phi 12,7$	$\phi 15,88$	$\phi 19,05$	$\phi 22,2$	$\phi 25,4$	$\phi 28,58$
Paksuus (mm)	0,8	0,8	0,8	1,0	1,0	1,0	1,0	1,0

- Älä käytä yllä mainittuja ohuempia putkia.
- Käytä 1/2 H- tai H-putkia, jos halkaisija on vähintään 22,2 mm.

4. Kylmäaineputkiston asennus



- Ⓐ Laipan leikkausmitat
Ⓑ Laippamutterin kiristysmomentti



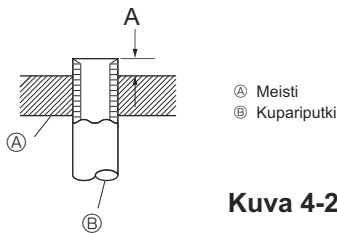
Kuva 4-1

Ⓐ (kuva 4-1)

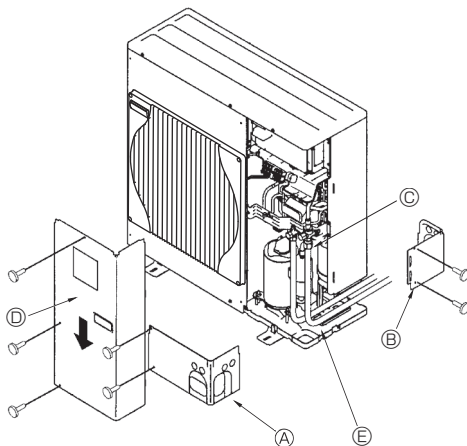
Kupariputki, ulkoh. (mm)	Laipan mitat ϕA -mitat (mm)
$\phi 6,35$	8,7 - 9,1
$\phi 9,52$	12,8 - 13,2
$\phi 12,7$	16,2 - 16,6
$\phi 15,88$	19,3 - 19,7
$\phi 19,05$	23,6 - 24,0

Ⓑ (kuva 4-1)

Kupariputki, ulkoh. (mm)	Laippamutterin ulkoh. (mm)	Kiristysmomentti (N·m)
$\phi 6,35$	17	14 - 18
$\phi 6,35$	22	34 - 42
$\phi 9,52$	22	34 - 42
$\phi 12,7$	26	49 - 61
$\phi 12,7$	29	68 - 82
$\phi 15,88$	29	68 - 82
$\phi 15,88$	36	100 - 120
$\phi 19,05$	36	100 - 120



Kuva 4-2



Kuva 4-3
Ⓐ Putken etusuojus
Ⓑ Putken suojus
Ⓒ Sulkuventtiili
Ⓓ Huoltopaneeli
Ⓔ Taivutussäde: 100 mm - 150 mm

4.2. Putkien liittäminen (kuva 4-1)

- Kun käytetään kaupallisesti saatavilla olevia kupariputkia, kiedo neste- ja kaasuputkien ympärille kaupallisesti saatavilla olevaa eristysmateriaalia (lämmönkesto vähintään 100 °C, paksuus vähintään 12 mm). Suora kosketus paljaaseen putkeen voi aiheuttaa palo- tai paleltumavamman.
- Tyhjennysputken sisäosat täytyy kietoa polyeteenivahtoeristeseen (ominaispaino 0,03, paksuus vähintään 9 mm).
- Levitä ohut kerros kylmäaineöljyä putken ja liittoksen kosketuspinnolle ennen laippamutterin kiristämistä. Ⓐ
- Kiristä putkiliitännät kahdella kiintoavaimella. Ⓑ
- Käytä vuodonilmaisinta tai saippuavettä kaasuvuotojen tarkistamiseen, kun liitännät on tehty.
- Levitä jäähdytyskoneöljyä laippaistukan koko pinnalle. Ⓒ
- Käytä laippamuttereita seuraavaa putkikokoa varten. Ⓓ

	SW50	SW75	SW100, 120
Kaasu puoli Putken koko (mm)	$\phi 12,7$	$\phi 15,88$	$\phi 15,88$
Neste puoli Putken koko (mm)	$\phi 6,35$	$\phi 9,52$	$\phi 9,52$

- Varo, etteivät putket murru, kun taivutat niitä. Taivutussäteen 100–150 mm ovat riittäviä.
- Varmista, että putket eivät kosketa kompressoria. Seurauksena voi olla epänormaalia ääntä tai värinää.
- Putket täytyy liittää aloittamalla sisäyksiköstä. Laippamutterit täytyy kiristää momenttiavaimella.
- Laipoita neste- ja kaasuputket ja levitä ohut kerros kylmäaineöljyä (levitetään asennuspaikalla).
- Kun käytetään tavallista putkitiivistystä, katso taulukosta 1 tietoja R410A-kylmäaineputkien laipoituksesta. A-mitat voidaan tarkistaa koon säätömitalla.

Taulukko 1 (kuva 4-2)

Kupariputki, ulkoh. (mm)	A (mm)
	Laippatyökalu R410A:ta varten
$\phi 6,35$ (1/4")	Kytintyyppi
$\phi 6,35$ (1/4")	0 - 0,5
$\phi 9,52$ (3/8")	0 - 0,5
$\phi 12,7$ (1/2")	0 - 0,5
$\phi 15,88$ (5/8")	0 - 0,5
$\phi 19,05$ (3/4")	0 - 0,5

⚠ Varoitus:

Kun asennat yksikköä, kiinnitä kylmäaineputket kunnolla ennen kompressorin käynnistämistä.

4.3. Kylmäaineputkisto (kuva 4-3)

■ SW50

Irrota huoltopaneeli Ⓓ (1 ruuvi).

■ SW75-120

Irrota huoltopaneeli Ⓓ (3 ruuvia), putken etusuojus Ⓐ (2 ruuvia) ja putken takasuojus Ⓑ (2 ruuvia; SW75) (4 ruuvia; SW100, 120).

① Tee kylmäaineputkiston liitännät sisä/ulkoyksikköön, kun ulkoyksikön sulkuventtiili on täysin kiinni.

② Tyhjennä alipaineella ilma sisäyksiköstä ja liitäntäputkistosta.

③ Kun kylmäaineputket on liitetty, tarkista liitetyt putket ja sisäyksikkö kaasuvuotojen varalta. (Katso 4.4 Kylmäaineputken ilmatiivyyden testausmenetelmä)

④ Sulkuventtiilin huoltoportissa käytetään tehokasta tyhjäpumpua alipaineen pitämiseksi yllä riittävän pitkään (vähintään yksi tunti, kun -101 kPa (5 Torr) on saavutettu) putken sisäpuolen tyhjäkuivausta varten. Tarkista aina alipaineen aste mittariputkesta. Jos putkeen on jäänyt kosteutta, alipaineen astetta ei toisinaan saavuteta lyhyellä alipaineen käytöllä.

Avaa tyhjäkuivauksen jälkeen ulkoyksikön sulkuventtiilit (sekä nesteen että kaasun) kokonaan. Tämä yhdistää sisä- ja ulkokylmäainepiirit kokonaan.

• Jos tyhjäkuivaus on puutteellinen, kylmäainepeireihin jää ilmaa ja vesihöyryä, mikä voi aiheuttaa korkean paineen epänormaalin nousun, matalan paineen epänormaalin laskun, kylmäaineöljyn pilaantumisen kosteuden takia yms.

• Jos sulkuventtiilit jätetään kiinni ja yksikköä käytetään, kompressori ja säätöventtiilit vaurioituvat.

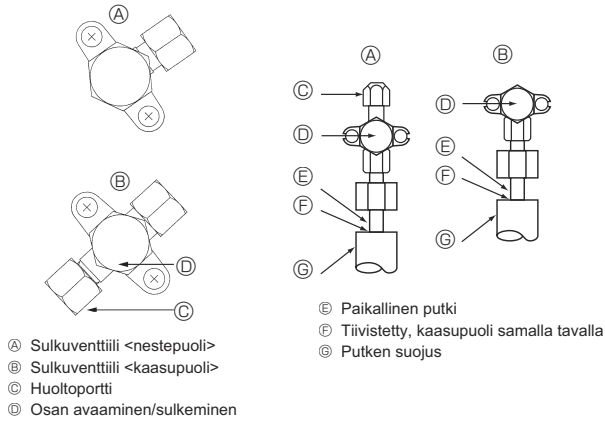
• Tarkista ulkoyksikön putkiliitososat kaasuvuotojen varalta käyttämällä vuodonilmaisinta tai saippuavettä.

• Älä käytä yksikön kylmäainetta ilman poistamista kylmäaineputkista. Kun venttiilityö on tehty, kiristä venttiilien hatut oikeaan tiukkuuteen: 20–25 N·m (200–250 kgf·cm).

Jos hattuja ei asenneta ja kiristetä, seurauksena voi olla kylmäainevuoto. Älä myöskään vahingoita venttiilien hattujen sisäpuolta, sillä ne toimivat tiivisteinä kylmäainevuodon ehkäisemiseksi.

⑤ Tiivistä tiivisteaineella putkiliitososien ympärillä olevan lämmöneristeen päät, jotta lämmöneristeseen ei pääse vettä.

4. Kylmäaineputkiston asennus



Kuva 4-4

4.4. Kylmäaineputken ilmatiiviyden testausmenetelmä (kuva 4-4)

- Liitä testaustyökalut.
 - Varmista, että sulkuventtiilit A ja B on suljettu, äläkä avaa niitä.
 - Add pressure to the refrigerant lines through the service port C of the liquid stop valve A.
- Älä nosta painetta kerralla määritettyyn paineeseen vaan nosta painetta vähitellen.
 - Paineista arvoon 0,5 MPa (5 kgf/cm²G), odota viisi minuuttia ja varmista, että paine ei laske.
 - Paineista arvoon 1,5 MPa (15 kgf/cm²G), odota viisi minuuttia ja varmista, että paine ei laske.
 - Paineista arvoon 4,15 MPa (41,5 kgf/cm²G) ja mittaa ympäristön lämpötila ja kylmäaineen paine.
- Jos määritetty paine säilyy noin yhden vuorokauden eikä laske, putket ovat läpäisseet testin eikä vuotoja ole.
 - Jos ympäristön lämpötila muuttuu 1 °C, paine muuttuu noin 0,01 MPa (0,1 kgf/cm²G). Tee tarvittavat korjaukset.
- Jos paine laskee vaiheessa (2) tai (3), järjestelmässä on kaasuvuoto. Etsi kaasuvuodon lähde.

4.5. Sulkuventtiilin avaamisen menetelmä

Sulkuventtiilin avaamisen menetelmä vaihtelee ulkoyksikön mallin mukaan. Avaa sulkuventtiilit käyttämällä asianmukaista menetelmää.

- Kaasupuoli: SW75 (kuva 4-5)
 - Irrota hattu ja kierrä venttiilitankkoa vastapäivään niin pitkälle kuin se menee käyttämällä 5 mm:n kuusioavainta. Lopeta kiertäminen, kun se osuu pysäyttimeen. (Ø 15,88: noin 13 kierrosta.)
 - Varmista, että sulkuventtiili on täysin auki, ja kierrä hattu takaisin alkuperäiseen asentoonsa.
- Kaasupuoli: SW100, 120 (kuva 4-6)
 - Irrota hattu, vedä kahvaa itseäsi kohti ja avaa kiertämällä 1/4 kierrosta vastapäivään.
 - Varmista, että sulkuventtiili on täysin auki, paina kahva sisään ja kierrä hattu takaisin alkuperäiseen asentoonsa.
- Nestepuoli: SW75-120 ja neste/kaasupuoli: SW50-75 (kuva 4-7)
 - Irrota hattu ja kierrä venttiilitankkoa vastapäivään niin pitkälle kuin se menee käyttämällä 4 mm:n kuusioavainta. Lopeta kiertäminen, kun se osuu pysäyttimeen. (Ø 9,52: noin 10 kierrosta.)
 - Varmista, että sulkuventtiili on täysin auki, paina kahva sisään ja kierrä hattu takaisin alkuperäiseen asentoonsa.

Kylmäaineputket on suojattu kietomalla mallissa SW75-120

- Putket voidaan suojata kietomalla Ø90 läpimitaan asti ennen putkien liittämistä tai sen jälkeen. Leikkaa putken suojuksen läpivientireikä irti seuraamalla uraa ja kiedo putket.

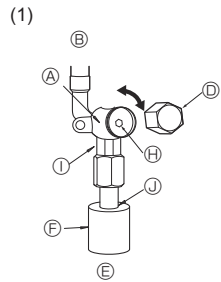
Tuloputken rako: SW75-120

- Tiivistä tuloputki putkien ympärillä kitillä tai tiivistysaineella niin, että rakoja ei jää. (Jos rakoja ei tukita, voi kuulua melua tai yksikköön pääsee vettä ja pölyä, mistä voi seurata rikkoutuminen.)

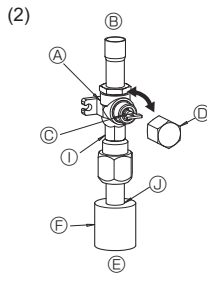
Täyttöventtiilin käyttöä koskevat ohjeet (kuva 4-8)

Älä kiristä huoltoporttia liikaa, kun asennat sitä, muuten venttiiliin ydin voi vääntyä ja löystyä aiheuttaen kaasuvuodon.

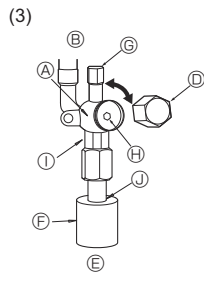
Kun osa B on sijoitettu haluttuun suuntaan, käännä vain osaa A ja kiristä se. Älä kiristä osia A ja B enää yhdessä, kun osa A on kiristetty.



Kuva 4-5



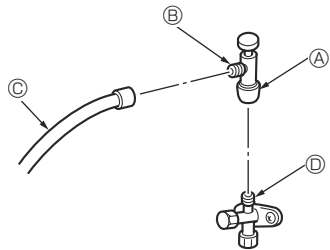
Kuva 4-6



Kuva 4-7

- A: Venttiili
- B: Yksikön puoli
- C: Kahva
- D: Hattu
- E: Paikallisen putken puoli
- F: Putken suojus
- G: Huoltoportti
- H: Kiintoavaimen reikä

- A: Kahden kiintoavaimen osa (Älä käytä kiintoavainta muissa kuin tässä osassa. Muuten seurauksena voi olla kylmäainevuotoja.)
- B: Tiivisteosa (Tiivistä lämmöneristysmateriaalin pää putken liitäntäosassa millä tahansa saatavilla olevalla tiivistysmateriaalilla, jotta lämmöneristysmateriaaliin ei pääse vettä.)



- * Vasemmalla oleva kuva on vain merkki. Sulkuventtiilin muoto, huoltoportin sijainti yms. voi vaihdella mallin mukaan.
- * Käännä vain osaa A. (Älä kiristä enää osia A ja B yhdessä.)

- A: Täyttöletku
- B: Huoltoportti

Kuva 4-8

4.6. Kylmäaineen lisääminen

- Kylmäainetta ei tarvitse lisätä lisää, jos putken pituus ei ole yli 10 m.
- Jos putken pituus on yli 10 m, lisää yksikköön R410A-kylmäainetta alla olevan kaavion sallittujen putken pituuksien mukaisesti.
 - * Kun yksikkö on sammutettu, lisää yksikköön lisää kylmäainetta nesteen sulkuventtiiliin kautta, kun putken jatkeet ja sisäyksikkö on alipaineistettu. Kun yksikkö on käynnissä, lisää kylmäainetta kaasuventtiiliin käyttämällä turvalatauslaitetta. Älä lisää nestemäistä kylmäainetta suoraan kaasuventtiiliin.
 - * Kun yksikkö on täytetty kylmäaineella, merkitse lisätyn kylmäaineen määrä huoltotarraan (kiinnitetty yksikköön). Lisätietoja on kohdassa 1.4. R410A-kylmäainetta käyttävien ulkoyksiköiden käyttäminen.

- Ole varovainen, kun asennat useita yksiköitä. Liitäntä väärään sisäyksikköön voi aiheuttaa epänormaalin korkean paineen ja vaikuttaa merkittävästi suorituskykyyn.

Malli	Sallittu putkiston pituus	Sallittu korkeusero	Lisäkylmäaineen lisäysmäärä					
			11 - 20 m	21 - 30 m	31 - 40 m	41 - 50 m	51 - 60 m	61 - 75 m
SW50	2 m - 40 m	-30 m	0,2 kg	0,4 kg	0,6 kg	—	—	—
SW75	2 m - 40 m	-30 m	0,15 kg	0,3 kg	0,6 kg	—	—	—
SW100, 120	2 m - 75 m	-30 m	0,2 kg	0,4 kg	1,0 kg	1,6 kg	2,2 kg	2,8 kg

5. Tyhjennysputkityöt

Ulkoyksikön tyhjennysputkiliitäntä

Jos tyhjennysputkia tarvitaan, käytä tyhjennysmuhvia tai tyhjennysastiaa (lisävaruste).

	SW50	SW75	SW100, 120
Tyhjennysmuhvi	PAC-SJ08DS-E	PAC-SG61DS-E	
Tyhjennysastia	PAC-SG63DP-E	PAC-SG64DP-E	

6. Vesiputkityöt

Veden vähimmäismäärä

Vesipiirissä tarvitaan seuraava vesimäärä.

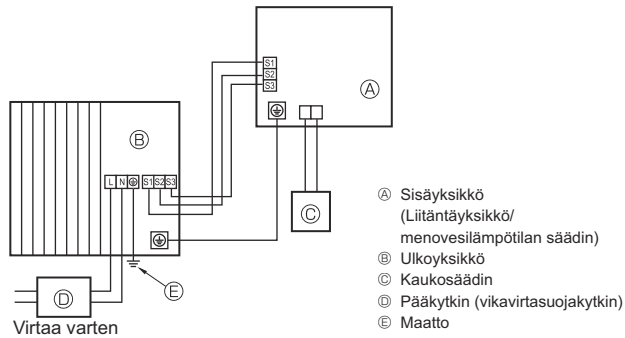
Malli	Veden vähimmäismäärä (L)
SW50	22
SW75	32
SW100	43
SW120	54

Suojaa yksikkö jäätymiseltä, esimerkiksi käyttämällä jäänestoainetta, kun yksikköä käytetään jäädytystilassa alhaisessa ympäristön lämpötilassa (alle 0 °C).

7. Sähkötyöt

7.1. Ulkoyksikkö (kuva 7-1, kuva 7-2)

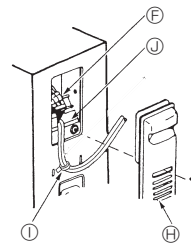
- ① Irrota huoltopaneeli.
- ② Asenna kaapelit kuvien 7-1 ja 7-2 mukaisesti.



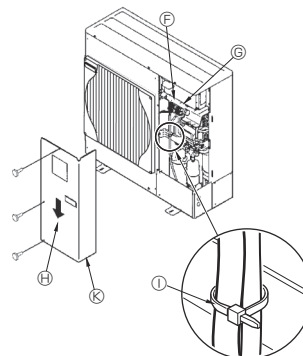
Kuva 7-1

- Ⓐ Sisäyksikkö (Liitäntäyksikkö/ menovesilämpötilan säädin)
- Ⓑ Ulkoyksikkö
- Ⓒ Kaukosäädin
- Ⓓ Pääkytkin (vikavirtasuojakytkin)
- Ⓔ Maatto

■ SW50

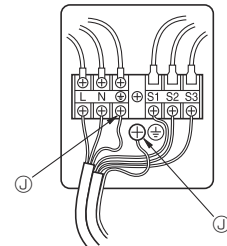


■ SW75-120V

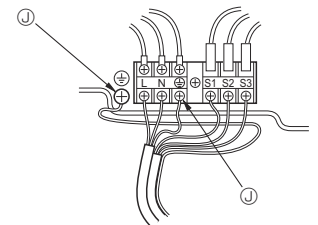


Kuva 7-2

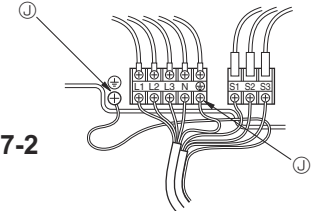
■ SW50



■ SW75-120V



■ SW100, 120V



- Ⓕ Riviliitin
- Ⓖ Sisä/ulkoliitännän riviliitin (S1, S2, S3)
- Ⓗ Huoltopaneeli
- Ⓘ Kiinnike

* Kiinnitä kaapelit niin, että ne eivät kosketa huoltopaneelin keskiosaa tai kaasuventtiiliä.

Ⓝ Maadoitusliitin

Ⓞ Vedä kaapelit niin, että ne eivät kosketa huoltopaneelin keskiosaa.

Huomautus:

Jos sähkörasian suojaikalvo irrotetaan huollon aikana, muista asentaa se takaisin.

⚠ Huomio:

Muista asentaa N-linja. Ilman N-linjaa yksikkö voi vaurioitua.

7. Sähkötyöt

7.2. Paikalliset sähkökytkennät

Ulkoyksikön malli	SW50V	SW75V	SW100V	SW120V	SW100, 120Y	
Ulkoyksikön virtalähde	~N (yksivaiheinen), 50 Hz, 230 V	~N (yksivaiheinen), 50 Hz, 230 V	~N (yksivaiheinen), 50 Hz, 230 V	~N (yksivaiheinen), 50 Hz, 230 V	3N~ (3-vaiheinen, 4 joh- dinta), 50 Hz, 400 V	
Ulkoyksikön tulokapasiteetin pääkytkin (katkaisin) *1	16 A	25 A	32 A	40 A	16 A	
Johtotus Johtimen nro x koko (mm ²)	Ulkoyksikön virtalähde	3 x min. 1,5	3 x min. 2,5	3 x min. 4	3 x min. 6	5 x min. 1,5
	Sisäyksikkö – ulkoyksikkö	*2 3 x 1,5 (polaarinen)	3 x 1,5 (polaarinen)	3 x 1,5 (polaarinen)	3 x 1,5 (polaarinen)	3 x 1,5 (polaarinen)
	Sisäyksikkö – ulkoyksikön maatto	*2 1 x min. 1,5	1 x min. 1,5	1 x min. 1,5	1 x min. 1,5	1 x min. 1,5
	Kaukosäädin – sisäyksikkö	*3 2 x 0,3 (ei-polaarinen)	2 x 0,3 (ei-polaarinen)	2 x 0,3 (ei-polaarinen)	2 x 0,3 (ei-polaarinen)	2 x 0,3 (ei-polaarinen)
Piirin arvo	Ulkoyksikkö L-N (yksivaiheinen)	230 VAC	230 VAC	230 VAC	230 VAC	230 VAC
	Ulkoyksikkö L1-N, L2-N, L3-N (3-vaiheinen)	*4				
	Sisäyksikkö – ulkoyksikön S1–S2	*4 230 VAC	230 VAC	230 VAC	230 VAC	230 VAC
	Sisäyksikkö – ulkoyksikön S2–S3	*4 24 VDC	24 VDC	24 VDC	24 VDC	24 VDC
Kaukosäädin – sisäyksikkö	*4 12 VDC	12 VDC	12 VDC	12 VDC	12 VDC	

*1. Tarvitaan katkaisin, jonka kontaktin erotus on vähintään 3,0 mm jokaisen navan välissä. Käytä maavuotokatkaisinta (NV).

Varmista, että vuotovirtakatkaisin on yhteensopiva korkeataajuisien yliaaltojen kanssa.

Käytä aina vuotovirtakatkaisinta, joka on yhteensopiva korkeataajuisien yliaaltojen kanssa, sillä tämä yksikkö on varustettu invertterillä.

Puutteellisen vuotovirtakatkaisimen käyttö voi aiheuttaa invertterin virheellisen toiminnan.

*2. Maks. 45 m

Jos käytetään 2,5 mm², maks. 50 m

Jos käytetään 2,5 mm² ja S3 on erotettu, maks. 80 m

*3. 10 m:n johdin on kiinnitetty kaukosäädintarvikkeeseen.

*4. Arvot EIVÄT ole aina maata vastaan.

S3-liittimessä on 24 VDC S2-liittintä vastaan. Näitä liittimiä EI kuitenkaan ole sähköisesti eristetty S3:n ja S1:n välillä muuntajalla tai muulla laitteella.

Huomautukset: 1. Johtimen koon on noudatettava paikallisia ja kansallisia määräyksiä.

2. Virransyöttökaapelit ja liitäntäyksikön/menovesilämpötilan säätimen ja ulkoyksikön väliset kaapelit eivät saa olla kevyempiä kuin suojatut joustavat polykloropreenikaapelit. (Rakenne 60245 IEC 57)

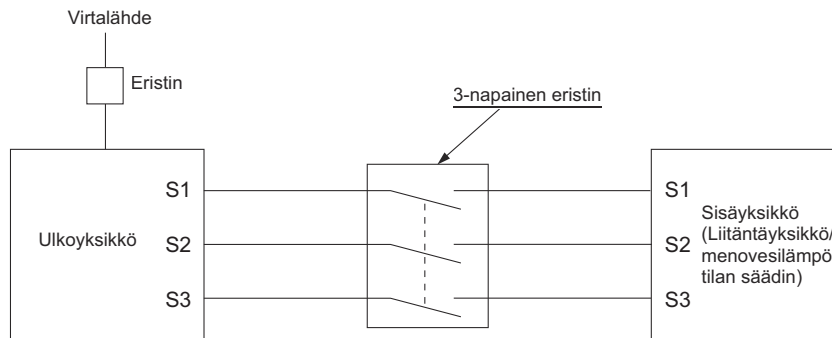
3. Liitä liitäntäyksikön/menovesilämpötilan säätimen ja ulkoyksikön väliset kaapelit suoraan yksiköihin (väliliitäntöjä ei sallita).

Väliliitännät voivat aiheuttaa tiedonsiirtovirheitä. Jos väliliitäntäkohtaan pääsee vettä, se voi aiheuttaa puutteellisen eristyksen maahan tai huonon sähkökontaktin.

(Jos väliliitäntä on välttämätön, muista estää veden pääsy kaapeleihin.)

4. Asenna maatto muita kaapeleita pidemmäksi.

5. Älä rakenna järjestelmää, jonka virransyöttö kytketään usein päälle ja pois.

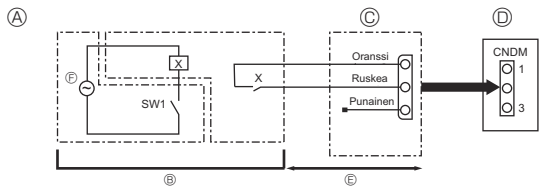


⚠ Varoitus:

- A-ohjauskytkennässä S3-liittimessä on suurjännitepotentiaali, jonka aiheuttaa sähköpiirin rakenne, jossa virtalinjan ja tiedonsiirtosignaalin välissä ei ole sähköeristystä. Tästä syystä katkaise päävirransyöttö huollon ajaksi. Älä myöskään koske S1-, S2- ja S3-liittimiin, kun virta on kytketty. Jos sisä- ja ulkoyksikön välissä täytyy käyttää eristintä, käytä 3-napaista tyyppiä.

Älä koskaan pujo yhteen virtakaapelia tai sisä-ulkoyhteyskaapelia, sillä seurauksena voi olla savua, tulipalo tai tiedonsiirron epäonnistuminen.

8. Erikoistoiminnot



Kuva 8-1

- Ⓐ Kytkenäkaavioesimerkki (alhainen käyttömelu -tila)
 Ⓑ Asennuspaikan järjestely
 Ⓒ Ulkoinen tulosovitin (PAC-SC36NA-E)
 X: Rele
 Ⓓ Ulkoyksikön ohjauskortti
 Ⓔ Maks. 10 m
 Ⓕ Releen virransyöttö

8.1. Alhainen käyttömelu -tila (asennuspaikalla tehtävä muunnos) (kuva 8-1)

Kun seuraava muunnos tehdään, ulkoyksikön käyttömelua voidaan vähentää noin 3–4 dB.

Alhainen käyttömelu -tila aktivoituu, kun erikseen myytävä ajastin tai ON/OFF-kytkimen kontaktitulo lisätään CNDM-liittimeen (valinnainen) ulkoyksikön ohjauskortissa.

- Ominaisuus vaihtelee ulkolämpötilan ja olosuhteiden yms. mukaan.

① Täydennä piiri kuvan mukaisesti käytettäessä ulkoista tulosovitinta (PAC-SC36NA-E). (valinnainen)

② SW7-1 (ulkoyksikön ohjaustaulu): OFF

③ SW1 ON: Alhainen käyttömelu -tila
 SW1 OFF: Normaali toiminta

8.2. Kylmäaineen talteenotto (pumppaus alas)

Ota kylmäaine talteen noudattamalla seuraavia ohjeita, kun sisäyksikkö tai ulkoyksikkö siirretään.

- ① Syöttövirta (suojakatkaisin).
- * Kun virta on kytketty, varmista, että kaukosäätimessä ei näy "CENTRALLY CONTROLLED". Jos "CENTRALLY CONTROLLED" näkyy, kylmäaineen talteenottoa (pumppausta alas) ei voi suorittaa normaalisti.
 - * Sisä-ulkotiedonsiirron käynnistyminen kestää noin 3 minuuttia virran (suojakatkaisimen) kytkemisen jälkeen. Käynnistä pumppaus alas 3–4 minuuttia virran (suojakatkaisimen) kytkemisen jälkeen.
 - * Jos kyseessä on usean yksikön ohjaus, irrota ennen virran kytkemistä johdot pääsisäyksikön ja alisisäyksikön välistä. Katso lisätietoja sisäyksikön asennusoppaasta.
- ② Kun nesteen sulkuventtiili on suljettu, aseta ulkoyksikön ohjaustaulun SWP-kytkin asentoon ON. Kompressorin (ulkoyksikkö) ja tuulettimet (sisä- ja ulkoyksiköt) alkavat toimia, ja kylmäaineen talteenotto alkaa. Ulkoyksikön ohjaustaulun LED1 ja LED2 palavat.
- * Aseta SWP-kytkin (painonappityyppi) asentoon ON vain, jos yksikkö on pysäytetty. Jos yksikkö on pysäytetty ja SWP-kytkin asetetaan asentoon ON alle 3 kuluttua kompressorin pysähtymisestä, kylmäaineen talteenottoa ei kuitenkaan voi suorittaa. Odota, kunnes kompressorin on ollut pysähtyneenä 3 minuuttia, ja aseta sitten SWP-kytkin uudelleen asentoon ON.

③ Koska yksikkö pysähtyy automaattisesti noin 2–3 minuutin kuluttua, kun kylmäaine on otettu talteen (LED1 ei pala, LED2 palaa), muista sulkea kaasun sulkuventtiili nopeasti. Jos LED1 palaa ja LED2 ei pala ja ulkoyksikkö on pysähtynyt, kylmäaineen talteenottoa ei suoritettu oikein. Avaa nesteen sulkuventtiili kokonaan ja suorita sitten 3 minuutin kuluttua vaihe ② uudelleen.

- * Jos kylmäaineen talteenotto suoritettiin normaalisti (LED1 ei pala, LED2 palaa), yksikkö pysyy pysähtyneenä, kunnes virta katkaistaan.

④ Katkaise virransyöttö (suojakatkaisin).

- * Huomaa, että jos jatkoputkisto on hyvin pitkä ja kylmäainetta on paljon, alaspumppausta ei ehkä voi suorittaa. Varmista alaspumppausta suoritettaessa, että matala paine lasketaan lähelle 0 MPa:ta (mittari).







⚠ Varoitus:

Kun kylmäainetta pumpataan alas, pysäytä kompressorin ennen kylmäaineputkien irrottamista. Kompressorin voi rikkoutua, jos siihen pääsee ilmaa tms.

9. Järjestelmän ohjaus

Aseta kylmäaineen osoite ulkoyksikön DIP-kytkimellä.

SW1-toiminnon asetus

SW1-asetus	Kylmäaineen osoite	SW1-asetus	Kylmäaineen osoite
ON OFF  3 4 5 6 7	00	ON OFF  3 4 5 6 7	03
ON OFF  3 4 5 6 7	01	ON OFF  3 4 5 6 7	04
ON OFF  3 4 5 6 7	02	ON OFF  3 4 5 6 7	05

Huomautus:

a) Enintään 6 yksikköä voidaan liittää.

b) Valitse yksi malli kaikille yksiköille.

c) Katso sisäyksikön Dip-kytkimen asetus sisäyksikön asennusoppaasta.

10. Tekniset tiedot

Ulkomalli	PUHZ-SW50VKA	PUHZ-SW75VHA	PUHZ-SW100VHA	PUHZ-SW120VHA	PUHZ-SW100YHA	PUHZ-SW120YHA
Virtalähde	V / vaihe / Hz				230 / yksittäinen / 50	
Mitat (L × K × S)	mm		809 × 630 × 360			
		950 × 943 × 330(+30)		950 × 1350 × 330(+30)		
Äänitaso *1						
SPL	Lämmitys	dB(A)	46	51	54	54
	Jäähdytys	dB(A)	46	48	50	51
	Lämmitys	dB(A)	63	69	70	72

*1 mitattu nimelliskäyttötaajuudella.

1. Bezpečnostní opatření.....	128	6. Vodní potrubí.....	134
2. Místo montáže.....	129	7. Elektroinstalace.....	134
3. Montáž vnější jednotky.....	131	8. Speciální funkce.....	136
4. Montáž potrubí chladicího média.....	131	9. Řízení systému.....	136
5. Vypouštěcí potrubí.....	134	10. Specifikace.....	136



Poznámka: Tato značka platí pouze pro EU.

Značka se vztahuje ke směrnici 2012/19/EU, článek 14: Informace pro uživatele a příloha IX.

Produkt MITSUBISHI ELECTRIC je navržen a vyráběn z vysoce kvalitních materiálů a součástí, které lze recyklovat a znovu použít.

Značka znamená, že elektrická a elektronická zařízení je třeba na konci jejich životnosti vyhodit do tříděného odpadu.

Zařízení vyhazujte v místním centru pro sběr/recyklaci odpadu.

V zemích Evropské unie existují samostatné sběrné systémy určené pro elektrické a elektronické produkty.

Pomáhejte nám zachovat životní prostředí, ve kterém žijeme!



Pozor:

• Plyn R410A nevypouštějte do ovzduší.

• R410A je fluorovaný skleníkový plyn, na který se vztahuje Kjótský protokol, s potenciálem globálního oteplování (GWP) = 1 975.

■ Certifikace tepelných čerpadel

Označení "NF Heat pumps" (tepelná čerpadla s certifikací NF) představuje nezávislý certifikační program potvrzující, že výkon tepelných čerpadel a výrobní kvalita továrny odpovídají certifikační referenci NF-414. Kombinace vnitřních a vnějších jednotek a jejich aplikace, které mohou používat označení NF PAC, jsou uvedeny na webu www.marque-nf.com.

1. Bezpečnostní opatření

- ▶ Před montáží jednotky prostudujte veškerá "bezpečnostní opatření".
- ▶ Před připojením k systému tuto skutečnost oznamte a vyžádejte si souhlas od poskytovajícího úřadu.



Upozornění:

Bezpečnostní opatření, která je nutné dodržovat, aby nedošlo ke zranění nebo usmrcení.



Pozor:

Bezpečnostní opatření, která je nutné dodržovat, aby nedošlo k poškození jednotky.



Upozornění:

- Montáž jednotky nesmí provádět uživatel. Montáž jednotky musí provést prodejce nebo autorizovaný technik. V případě nesprávné montáže jednotky hrozí únik vody, zásah elektrickým proudem nebo požár.
- Při montáži dodržujte pokyny v návodu k montáži a používejte nástroje a součásti potrubí speciálně určené k použití s chladicím médiem R410A. Chladicí médium R410A v systému HFC je natlakováno na 1,6násobek tlaku obvyklých chladicích médií. V případě použití součástí potrubí, které nejsou určeny pro chladicí médium R410A, a nesprávné montáži jednotky hrozí prasknutí potrubí s následkem poškození nebo zranění. Rovněž hrozí únik vody, zásah elektrickým proudem nebo požár.
- Montáž jednotky musí být provedena v souladu s pokyny, aby se minimalizovalo riziko poškození v důsledku zemětřesení, tajfunů nebo silného větru. Nesprávně namontovaná jednotka může spadnout a způsobit škodu na majetku nebo zranění.
- Jednotku je nutné bezpečně namontovat na stavební konstrukci, která unese její hmotnost. Jednotka namontovaná na nestabilní stavební konstrukci by mohla spadnout a způsobit škodu na majetku nebo zranění.
- Pokud je vnější jednotka namontována v malé místnosti, je nutné provést opatření zajišťující, aby v případě úniku chladicího média koncentrace chladicího média v místnosti nepřesáhla bezpečnostní limit. Poradte se s prodejcem o odpovídajících opatřeních bránících překročení přípustné koncentrace. Pokud dojde k úniku chladicího média a překročení limitu koncentrace, hrozí nebezpečí vyplývající z nedostatku kyslíku v místnosti.
- Pokud během provozu dojde k úniku chladicího média, vyvětrejte místnost. Při kontaktu chladicího média s plameny dochází k uvolňování jedovatých plynů.
- Veškeré elektroinstalací práce musí provádět kvalifikovaný technik v souladu s místními předpisy a pokyny uvedenými v této příručce. Napájení jednotek musí být zajištěno pomocí vyhrazených elektrických obvodů a musí být použito správné napětí a jističe. Elektrická vedení s nedostatečnou kapacitou nebo nesprávně provedená elektroinstalace může vést k úrazu elektrickým proudem nebo vzniku požáru.

Po dokončení montážních prací vysvětlete zákazníkovi "bezpečnostní opatření", použití a údržbu jednotky podle informací v provozní příručce a proveďte zkušební provoz, abyste zajistili správnost provozu. Zákazník musí obdržet návod k montáži i provozní příručku. Tyto příručky musí být předány všem následným uživatelům.



: Označuje součást, kterou je nutné uzemnit.



Upozornění:

Pozorně si přečtěte štítky připevněné k hlavní jednotce.

- K připojení bezešvých trubek potrubí chladicího média z mědi a slitin mědi použijte pájku C1220 měď – fosfor. Pokud není potrubí spojeno správně, nebude jednotka správně uzemněna a hrozí zásah elektrickým proudem.
- Při instalaci vedení používejte pouze určené kabely. Vodiče je třeba zapojit bezpečně tak, aby na svorky nepůsobilo žádné pnutí. Kabely nikdy nespojujte (pokud není v návodu uvedeno jinak).
- Nedodržení těchto pokynů může mít za následek přehřátí nebo požár.
- Krycí panel svorkovnice vnější jednotky musí být pevně připevněn. Pokud je krycí panel nesprávně namontován a do jednotky vnikne prach nebo vlhkost, hrozí zásah elektrickým proudem nebo požár.
- Při montáži, přemísťování nebo opravách vnější jednotky používejte k naplnění chladicího potrubí pouze určené chladicí médium (R410A). Nemíchejte ho s jiným chladicím médiem a zajistěte, aby v potrubí nezůstal žádný vzduch.
- Kontakt vzduchu s chladicím médiem může být příčinou nadměrně vysokého tlaku v chladicím potrubí a může mít za následek explozi a další rizika. Jiné než určené chladicí médium může způsobit mechanické vady nebo selhání systému či celé jednotky. V nejhorším případě může dojít k vážnému selhání zajištění bezpečnosti produktu.
- Používejte pouze příslušenství schválené společností Mitsubishi Electric namontované prodejcem nebo autorizovaným technikem. V případě nesprávné montáže příslušenství hrozí únik vody, zásah elektrickým proudem nebo požár.
- Na jednotce neprovádějte úpravy. O opravách se poradte s prodejcem. V případě nesprávně provedené úpravy nebo opravy hrozí únik vody, zásah elektrickým proudem nebo požár.
- Uživatel nikdy nesmí sám provádět opravy a přemísťování jednotky. V případě nesprávné montáže jednotky hrozí únik vody, zásah elektrickým proudem nebo požár. V případě nutnosti opravy nebo přemístění vnější jednotky kontaktujte prodejce nebo autorizovaného technika.
- Po dokončení montáže zkontrolujte, zda nedochází k úniku chladicího média. V případě úniku chladicího média do místnosti by při styku s plamenem topného tělesa nebo přenosného vařiče došlo k uvolňování jedovatého plynu.

1.1. Postup před montáží



Pozor:

- Nepoužívejte jednotku v nestandardním prostředí. Pokud je vnější jednotka namontována v místech, na kterých je vystavena působení páry, těkavých olejů (včetně strojního oleje), oxidu siřičitého či vzduchu s vysokým obsahem soli, např. u moře, nebo je pokryta sněhem, bude výkon výrazně omezen a může dojít k poškození vnitřních součástí.
- Neumisťujte jednotku na místa, kde může docházet k úniku, tvorbě, průtoku nebo hromadění hořlavých plynů. Hořlavé plyny nahromaděné kolem jednotky mohou způsobit požár nebo výbuch.

• Při topení dochází ve vnější jednotce ke kondenzaci. Pokud lze předpokládat možné poškození v důsledku kondenzace, zajistěte kolem vnější jednotky odpovídající odvodnění.

• Při montáži jednotky v nemocnici nebo v komunikační provozovně je nutné předpokládat hluk a elektronické rušení. Inventory, domácí spotřebiče, vysokofrekvenční zdravotnická zařízení a rádiová komunikační zařízení mohou způsobit poruchu nebo poškození vnější jednotky. Vnější jednotka může ovlivňovat zdravotnická zařízení a narušovat zdravotní péči a také komunikační zařízení a narušovat kvalitu zobrazení na obrazovce.

1. Bezpečnostní opatření

1.2. Postup před montáží (přemisťování)

⚠ Pozor:

- Při přepravě a montáži jednotek postupujte velmi opatrně. Jednotka váží 20 kg či více, proto je nutné, aby ji při manipulaci držely alespoň dvě osoby. Nedržte jednotku za balicí popruhy. Při vyjmutí jednotky z obalu a při manipulaci s jednotkou používejte ochranné rukavice. Hrozí poranění rukou o lamely nebo hrany jiných částí.
- Zajistěte bezpečnou likvidaci obalových materiálů. Obalové materiály, jako jsou hřebíky a další kovové nebo dřevěné části, mohou způsobit probodnutí či jiná zranění.
- Základnu a upevňovací prvky vnější jednotky je nutné pravidelně kontrolovat, zda nejsou povolené, popraskané či jinak poškozené. Pokud nebudou tyto defekty opraveny, jednotka může spadnout a způsobit škodu na majetku nebo zranění.
- Nečistěte vnější jednotku vodou. Hrozí zásah elektrickým proudem.
- Utáhněte všechny převlečné matice pomocí momentového klíče podle specifikací. Pokud jsou převlečné matice utaženy nadměrně, mohou po delší době prasknout a způsobit únik chladicího média.

1.3. Postup před elektroinstalací

⚠ Pozor:

- Namontujte jističe. Pokud tak neučiníte, hrozí nebezpečí úrazu elektrickým proudem.
- Pro elektrická vedení použijte standardní kabely s odpovídajícími parametry. Pokud tak neučiníte, může dojít ke zkratu, přehřátí nebo požáru.
- Při instalaci elektrického vedení kabely nenapínejte. Pokud dojde k povolení spojení, kabely se mohou vyvléknout nebo prasknout a může dojít k přehřátí nebo požáru.
- Jednotku uzemněte. Uzemňovací drát nepřipojujte k plynovému a vodnímu potrubí, hromosvodu ani k telefonnímu uzemňovacímu vedení. Nesprávné uzemnění může být příčinou úrazu elektrickým proudem.
- Použijte jističe (proudový chránič, odpojovač s pojistkou typu B a kompaktní jistič) se stanovenou kapacitou. Při použití jističe s větší než stanovenou kapacitou může dojít k poruše nebo požáru.

1.4. Použití vnějších jednotek s chladicím médiem R410A

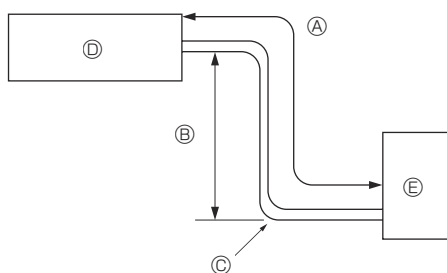
⚠ Pozor:

- K připojení bezešvých trubek potrubí chladicího média z mědi a slitin mědi použijte pájku C1220 měď – fosfor. Zajistěte, aby vnitřek potrubí byl čistý a neobsahoval žádné škodlivé nečistoty, jako jsou sloučeniny síry, oxidanty, usazeniny nebo prach. Používejte potrubí určené tloušťky. (Viz 4.1.) Pokud se chystáte znovu použít potrubí, které bylo použito pro chladicí médium R22, dbejte na následující upozornění.
 - Vyměňte stávající převlečné matice a znovu upravte rozšířené části.
 - Nepoužívejte tenká potrubí. (Viz 4.1.)
- Potrubí určené k použití při montáži uložte uvnitř a oba konce potrubí ponechte utěsněné až do doby bezprostředně před spájením. (Ponechte kloubové spoje apod. zabalené.) Pokud se do potrubí chladicího média dostane prach, nečistoty nebo vlhkost, může dojít ke zhoršování vlastností oleje nebo k poruše kompresoru.
- Jako chladicí olej nanášený na rozšířené části používejte olej na bázi esteru, éteru nebo alkylbenzenu (malé množství). Pokud je do chladicího oleje přimíchán minerální olej, může dojít ke zhoršování vlastností oleje.
- Nepoužívejte jiné chladicí médium než R410A. Při použití jiného chladicího média bude docházet ke zhoršování vlastností oleje působením chlóru.
- Používejte následující nástroje, které jsou speciálně určeny pro použití s chladicím médiem R410A. Při použití chladicího média R410A jsou nutné následující nástroje. V případě otázek se obraťte na nejbližšího prodejce.

Nástroje (pro médium R410A)	
Měřicí potrubí	Rozšiřovač trubek
Doplňovací trubka	Měřidlo pro úpravu velikosti
Detektor úniku plynu	Adaptér vakuového čerpadla
Momentový klíč	Elektronické měřidlo naplnění chladicím médiem

- Používejte pouze správné nástroje. Pokud se do potrubí chladicího média dostane prach, nečistoty nebo vlhkost, může docházet ke zhoršování vlastností chladicího oleje.
- Nepoužívejte plnicí válec. Při použití plnicího válce může dojít ke změně složení chladicího média a následnému zhoršení účinnosti.

2. Místo montáže



Obr. 2-1

2.1. Potrubí chladicího média (obr. 2-1)

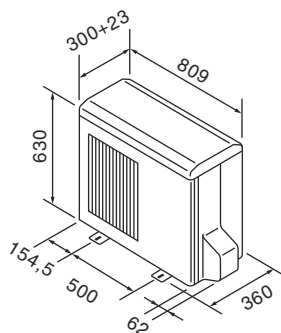
► Zkontrolujte, zda rozdíl výšek vnitřní a vnější jednotky, délka potrubí chladicího média a počet ohybů potrubí odpovídají níže uvedeným limitům.

Model	Ⓐ Délka potrubí (jednosměrné)	Ⓑ Výškový rozdíl	Ⓒ Počet ohybů (jednosměrné)
SW50	2–40 m	Max. 30 m	Max. 15
SW75	2–40 m	Max. 30 m	Max. 15
SW100, 120	2–75 m	Max. 30 m	Max. 15

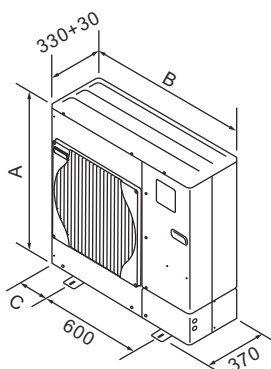
- Omezení výškového rozdílu je stanoveno bez ohledu na to, zda je výše umístěná vnitřní nebo vnější jednotka.
 - Ⓐ Vnitřní jednotka
 - Ⓑ Vnější jednotka

2. Místo montáže

■ SW50

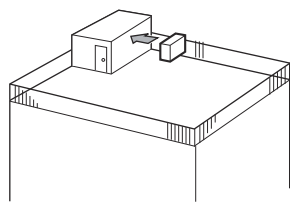


■ SW75, 100, 120

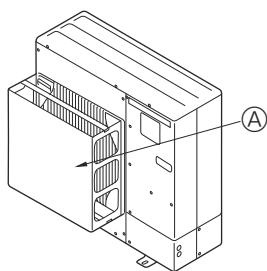


Model	A (mm)	B (mm)	C (mm)
SW75	943	950	175
SW100	1350	950	175
SW120	1350	950	175

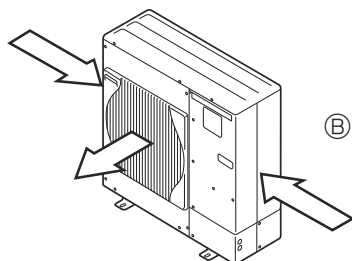
Obr. 2-2



Obr. 2-3



Obr. 2-4



Obr. 2-5

(mm)

2.2. Volba místa montáže vnější jednotky

- Neumísťujte jednotku na místa, na kterých bude vystavena přímému slunečnímu záření nebo jiným zdrojům tepla.
- Zvolte místo, na kterém nebude hluk jednotky rušit sousedy.
- Zvolte místo s dobrým přístupem pro kabeláž od zdroje napájení a potrubí k vnitřní jednotce.
- Neumísťujte jednotku na místa, kde může docházet k úniku, tvorbě, průtoku nebo hromadění hořlavých plynů.
- Během provozu jednotky může docházet k vytékání vody z jednotky.
- Zvolte místo, které unese hmotnost a vibrace jednotky.
- Neumísťujte jednotku na místa, na kterých by mohla být zakryta sněhem. V oblastech, kde se dá očekávat husté sněžení, je nutné přijmout zvláštní opatření, jako je umístění jednotky na vyšší místo nebo montáž ochranného krytu na přívod vzduchu, aby sníh neblokoval přívod vzduchu nebo nefoukal přímo proti němu. Může dojít k omezení průtoku vzduchu a vzniku poruchy.
- Neumísťujte jednotku na místa, na kterých bude vystavena oleji, páře nebo oxidu siřičitému.
- Při přemísťování vnější jednotky použijte přepravní rukojeti. Pokud jednotku uchopíte zespod, hrozí přiskřípnutí rukou nebo prstů.

2.3. Rozměry jednotky (vnější jednotka) (obr. 2-2)

2.4. Odvětrávací a servisní prostor

2.4.1. Montáž na místě se silným větrem

Při montáži vnější jednotky na střechu nebo na jiné místo, kde je jednotka vystavena působení větru, umístěte jednotku tak, aby výstup vzduchu nesměřoval přímo proti větru. Působení silného větru na výstup vzduchu může bránit normálnímu proudění vzduchu, což může mít za následek poruchu.

Následující tři příklady ukazují opatření proti působení silného větru.

- ① Umístěte výstup vzduchu směrem k nejbližší dostupné zdi a ponechte u ní volný prostor přibližně 50 cm. (obr. 2-3)
- ② U míst, kde může silný vítr (tajfun atp.) vstupovat přímo do výstupu vzduchu, namontujte volitelné vedení vzduchu. (obr. 2-4)
 - Ⓐ Vedení výstupu vzduchu
- ③ Pokud je to možné, umístěte jednotku tak, aby výstup vzduchu směřoval v pravém úhlu k obvyklému směru větru. (obr. 2-5)
 - Ⓑ Směr větru

2.4.2. Montáž jedné vnější jednotky (viz poslední strana)

Minimální rozměry jsou uvedeny níže, v některých případech jsou uvedeny rozměry maximální (označené jako Max.).

Hodnoty v závorkách se týkají modelů SW100, 120.

Vyhledejte rozměry pro konkrétní případ.

- ① Překážky pouze vzadu (obr. 2-6)
 - Nemontujte volitelné vedení výstupu vzduchu pro proudění vzduchu směrem nahoru.
- ② Překážky pouze vzadu a nahoře (obr. 2-7)
 - Překážky pouze vzadu a po stranách (obr. 2-8)
 - * 350 pro SW50.
- ③ Překážky pouze vzadu (obr. 2-9)
 - * Při použití volitelného vedení výstupu vzduchu je u modelů SW100, 120 nutný volný prostor 500 mm nebo více.
- ④ Překážky pouze vzadu a nahoře (obr. 2-10)
 - * Při použití volitelného vedení výstupu vzduchu je u modelů SW100, 120 nutný volný prostor 500 mm nebo více.
- ⑤ Překážky pouze vzadu, po stranách a nahoře (obr. 2-11)
 - * 350 pro SW50.
 - Nemontujte volitelné vedení výstupu vzduchu pro proudění vzduchu směrem nahoru.

2.4.3. Montáž více vnějších jednotek (viz poslední strana)

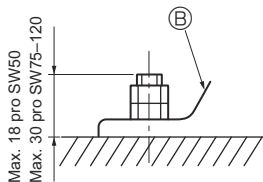
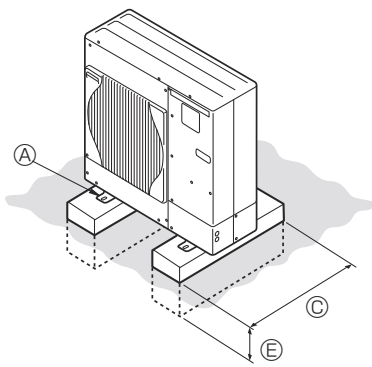
Mezi jednotkami ponechte prostor minimálně 350 mm u modelů SW50 a 10 mm u modelů SW75-120.

Hodnoty v závorkách se týkají modelů SW100, 120.

Vyhledejte rozměry pro konkrétní případ.

- ① Překážky pouze vzadu (obr. 2-12)
- ② Překážky pouze vzadu a nahoře (obr. 2-13)
 - Vedle sebe je povolena montáž maximálně 3 jednotek. Kromě toho ponechte vyznačený volný prostor.
 - Nemontujte volitelné vedení výstupu vzduchu pro proudění vzduchu směrem nahoru.
- ③ Překážky pouze vzadu (obr. 2-14)
 - * Při použití volitelného vedení výstupu vzduchu je u modelů SW100, 120 nutný volný prostor 1000 mm nebo více.
- ④ Překážky pouze vzadu a nahoře (obr. 2-15)
 - * Při použití volitelného vedení výstupu vzduchu je u modelů SW100, 120 nutný volný prostor 1000 mm nebo více.
- ⑤ Paralelní rozmístění jednotlivých jednotek (obr. 2-16)
 - * Při použití volitelného vedení výstupu vzduchu pro proudění vzduchu směrem nahoru je volný prostor 500 (1000) mm nebo více.
- ⑥ Paralelní rozmístění více jednotek (obr. 2-17)
 - * Při použití volitelného vedení výstupu vzduchu pro proudění vzduchu směrem nahoru je volný prostor 1000 (1500) mm nebo více.
- ⑦ Rozmístění jednotek na sebe (obr. 2-18)
 - Lze umístit dvě jednotky na sebe.
 - Vedle sebe je povolena montáž maximálně 2 jednotek, na kterých je umístěna další jednotka. Kromě toho ponechte vyznačený volný prostor.

3. Montáž vnější jednotky



- Ⓐ Šroub M10 (3/8")
- Ⓑ Základna
- Ⓒ Co nejdelší
- Ⓓ Větrací otvor
- Ⓔ Zapustíte hluboko do země

(mm)

- Jednotku namontujte na pevný a rovný povrch, aby během provozu nedmčela. (obr. 3-1)

<Specifikace základů>

Základový šroub	M10 (3/8")
Tloušťka betonu	120 mm
Délka šroubu	70 mm
Únosnost	320 kg

- Délka základových šroubů musí být do 30 mm od spodní plochy základny.
- Základnu jednotky řádně zajistěte pomocí 4 základových šroubů M10 umístěných na pevném povrchu.

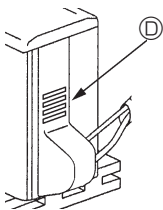
Montáž vnější jednotky

- Větrací otvor nesmí být zakrytý. Pokud je větrací otvor zakrytý, provoz bude omezen a může dojít k poruše jednotky.
- Kromě základny jednotky použijte montážní otvory na zadní straně jednotky k upevnění kabelů apod., pokud to montáž jednotky vyžaduje. K montáži na místo použijte samořezné šrouby (ø5 × 15 mm nebo méně).

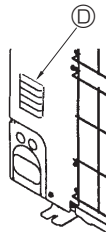
⚠ Upozornění:

- Jednotku je nutné bezpečně namontovat na stavební konstrukci, která unese její hmotnost. Jednotka namontovaná na nestabilní stavební konstrukci by mohla spadnout a způsobit škodu na majetku nebo zranění.
- Montáž jednotky musí být provedena v souladu s pokyny, aby se minimalizovalo riziko poškození v důsledku zemětřesení, tajfunů nebo silného větru. Nesprávně namontovaná jednotka může spadnout a způsobit škodu na majetku nebo zranění.

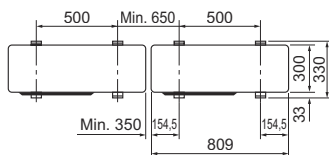
■ SW50



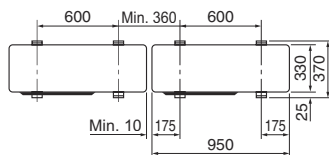
■ SW75-120



■ SW50



■ SW75-120



Obr. 3-1

4. Montáž potrubí chladicího média

4.1. Bezpečnostní opatření pro zařízení využívající chladicí médium R410A

- Bezpečnostní opatření při použití vnější jednotky s chladicím médiem R410A, která nejsou uvedena níže, naleznete v části 1.4.
- Jako chladicí olej nanášený na rozšířené části používejte olej na bázi esteru, éteru nebo alkybenzenu (malé množství).
- K připojení bezešvých trubek potrubí chladicího média z mědi a slitin mědi použijte pájku C1220 měď – fosfor. Používejte potrubí chladicího média s tloušťkou podle specifikací v následující tabulce. Zajistěte, aby vnitřek potrubí byl čistý a neobsahoval žádné škodlivé nečistoty, jako jsou sloučeniny síry, oxidanty, usazeniny nebo prach. Při pájení trubek vždy používejte pájení s ochranou proti oxidaci, jinak hrozí poškození kompresoru.

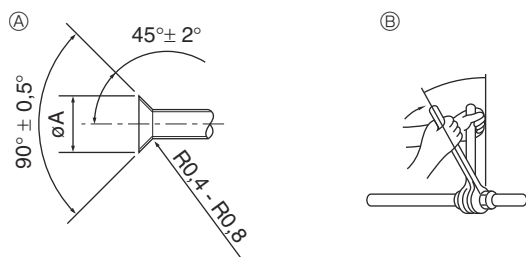
⚠ Upozornění:

Při montáži, přemístování nebo opravách vnější jednotky používejte k naplnění chladicího potrubí pouze určené chladicí médium (R410A). Nemíchejte ho s jiným chladicím médiem a zajistěte, aby v potrubí nezůstal žádný vzduch. Kontakt vzduchu s chladicím médiem může být příčinou nadměrně vysokého tlaku v chladicím potrubí a může mít za následek explozi a další rizika. Jiné než určené chladicí médium může způsobit mechanické vady nebo selhání systému či celé jednotky. V nejhorším případě může dojít k vážnému selhání zajištění bezpečnosti produktu.

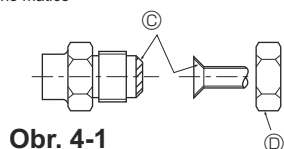
Velikost potrubí (mm)	φ6,35	φ9,52	φ12,7	φ15,88	φ19,05	φ22,2	φ25,4	φ28,58
Tloušťka (mm)	0,8	0,8	0,8	1,0	1,0	1,0	1,0	1,0

- Nepoužívejte potrubí tenčí, než je uvedeno výše.
- V případě průměru 22,2 mm nebo většího použijte potrubí 1/2 H nebo H.

4. Montáž potrubí chladicího média



- Ⓐ Rozměry rozšíření
Ⓑ Uťahovací moment převlečné matice



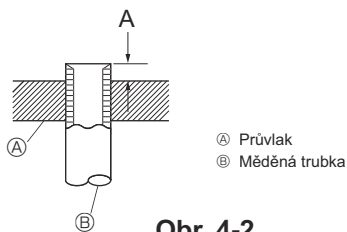
Obr. 4-1

Ⓐ (Obr. 4-1)

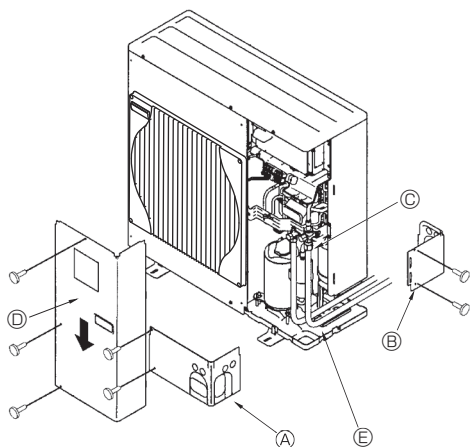
Vnější průměr měděné trubky (mm)	Rozměry rozšíření ϕ A (mm)
$\phi 6,35$	8,7–9,1
$\phi 9,52$	12,8–13,2
$\phi 12,7$	16,2–16,6
$\phi 15,88$	19,3–19,7
$\phi 19,05$	23,6–24,0

Ⓑ (Obr. 4-1)

Vnější průměr měděné trubky (mm)	Vnější průměr převlečné matice (mm)	Uťahovací moment (N·m)
$\phi 6,35$	17	14–18
$\phi 6,35$	22	34–42
$\phi 9,52$	22	34–42
$\phi 12,7$	26	49–61
$\phi 12,7$	29	68–82
$\phi 15,88$	29	68–82
$\phi 15,88$	36	100–120
$\phi 19,05$	36	100–120



Obr. 4-2



Obr. 4-3

- Ⓐ Přední kryt potrubí
Ⓑ Kryt potrubí
Ⓒ Uzavírací ventil
Ⓓ Servisní panel
Ⓔ Poloměr ohybu: 100–150 mm

4.2. Spojení potrubí (obr. 4-1)

- Při použití komerčně dostupných měděných trubek obalte potrubí s plynem a kapalinou komerčně dostupným izolačním materiálem (odolným vůči teplotě 100 °C nebo více, s tloušťkou 12 mm nebo více). Přímý kontakt s obnaženým potrubím může způsobit popálení nebo omrzliny.
- Vnitřní části vypouštěcího potrubí musí být obaleny izolačním materiálem z polyetylenové pěny (s hustotou 0,03 a tloušťkou 9 mm nebo více).
- Před utažením převlečné matice naneste na dosedací plochy potrubí a spoje tenkou vrstvu chladicího oleje. Ⓐ
- K utažení spojení potrubí použijte dva klíče. Ⓑ
- Pomocí detektoru úniků nebo mýdlové vody zkontrolujte, zda po dokončení připojení nedochází k úniku plynů.
- Naneste olej pro chladicí zařízení po celém dosedacím povrchu rozšířené části. Ⓒ
- Použijte převlečné matice pro následující velikost potrubí. Ⓓ

	SW50	SW75	SW100, 120
Strana plynu	Velikost potrubí (mm)	$\phi 12,7$	$\phi 15,88$
Strana kapaliny	Velikost potrubí (mm)	$\phi 6,35$	$\phi 9,52$

- Při ohýbání trubek dávejte pozor, aby nepraskly. Dostatečný poloměr ohnutí je 100 až 150 mm.
- Zajistěte, aby se potrubí nedotýkalo kompresoru. Jinak může docházet k nadměrnému hluku či vibracím.
- ① Při připojování potrubí začněte od vnitřní jednotky. K utažení převlečných matic použijte momentový klíč.
- ② Rozšířte potrubí s kapalinou a s plynem a naneste tenkou vrstvu chladicího oleje (použití na místě).
- Při použití běžného těsnění potrubí postupujte podle tabulky 1 s hodnotami rozšíření potrubí chladicího média R410A. Ke kontrole rozměru A lze použít měřidlo pro úpravu velikosti.

Tabulka 1 (obr. 4-2)

Vnější průměr měděné trubky (mm)	A (mm)	
	Rozšiřovač trubek pro médium R410A	
	Typ spojky	
$\phi 6,35$ (1/4")	0–0,5	
$\phi 9,52$ (3/8")	0–0,5	
$\phi 12,7$ (1/2")	0–0,5	
$\phi 15,88$ (5/8")	0–0,5	
$\phi 19,05$ (3/4")	0–0,5	

⚠ Upozornění:

Při montáži jednotky před spuštěním kompresoru řádně připojte potrubí chladicího média.

4.3. Potrubí chladicího média (obr. 4-3)

- Pro model SW50

Sejměte servisní panel Ⓓ (1 šroub).

- Pro modely SW75–120

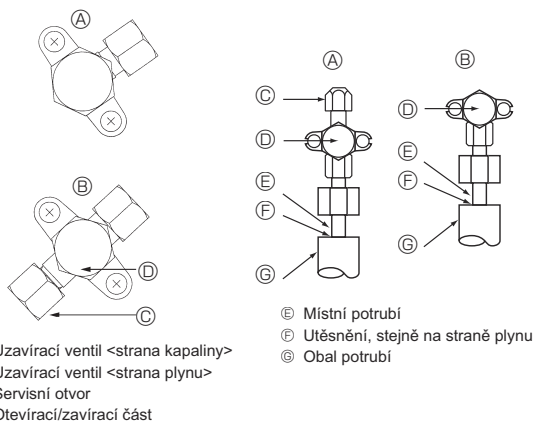
Sejměte servisní panel Ⓓ (3 šrouby), přední kryt potrubí Ⓐ (2 šrouby) a zadní kryt potrubí Ⓑ (2 šrouby: SW75) (4 šrouby: SW100, 120).

- ① Připojení potrubí vnitřní a vnější jednotky provádějte, když je uzavírací ventil vnější jednotky zcela uzavřený.
- ② Vakuově odvědujte vnitřní jednotku a spojovací potrubí.
- ③ Po připojení potrubí chladicího média zkontrolujte, zda u připojených trubek a vnitřní jednotky nedochází k úniku plynu. (Viz 4.4 Způsob testování vzduchotěsnosti potrubí chladicí kapaliny.)
- ④ Výkonné vakuové čerpadlo připojené k servisnímu otvoru uzavíracího ventilu slouží k udržování vakua po dostatečně dlouhou dobu (alespoň jednu hodinu po dosažení tlaku -101 kPa (5 Torr)), aby došlo k vakuovému vysušení vnitřního prostoru potrubí. Hodnotu vakua vždy zkontrolujte na měřicím potrubí. Pokud v potrubí zůstane vlhkost, nemusí být požadovaná hodnota vakua při krátkodobém působení vakua dosažena.

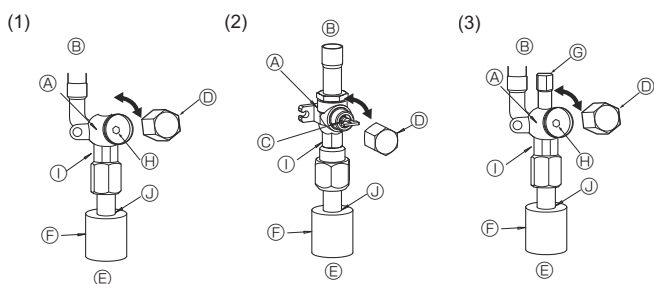
Po vakuovém vysušení zcela otevřete uzavírací ventily (kapaliny i plynu) vnější jednotky. Tím dojde k úplnému propojení vnějšího a vnitřního okruhu chladicího média.

- Pokud není vakuové vysušení dostatečné, zůstanou v okruzích chladicího média vzduch a vodní výpary, které mohou způsobit nadměrné zvýšení vysokého tlaku, nadměrný pokles nízkého tlaku, zhoršení vlastností oleje v chladicím zařízení z důvodu vlhkosti apod.
- Pokud ponecháte při provozu jednotky uzavírací ventily uzavřené, dojde k poškození kompresoru a řídicích ventilů.
- Pomocí detektoru úniků nebo mýdlové vody zkontrolujte, zda v místech připojení potrubí vnější jednotky nedochází k úniku plynu.
- Nepoužívejte chladicí médium z jednotky k odvědušení potrubí chladicího média.
- Po dokončení činnosti utáhněte uzávěry ventilů správným momentem: 20 až 25 N·m (200 až 250 kgf·cm). Pokud nenasadíte a neutáhněte uzávěry, může dojít k úniku chladicího média. Dbejte rovněž, aby nedošlo k poškození vnitřních částí uzávěr ventilů, které slouží jako těsnění bránící úniku chladicího média.
- ⑤ Pomocí těsnicí hmoty utěsněte konce tepelné izolace kolem částí připojení potrubí, aby nemohlo dojít k vniknutí vody do tepelné izolace.

4. Montáž potrubí chladicího média



Obr. 4-4



Obr. 4-5

Obr. 4-6

Obr. 4-7

- A Ventil
- B Strana jednotky
- C Rukojeť
- D Uzávěr
- E Strana místního potrubí
- F Obal potrubí
- G Servisní otvor
- H Otvor pro klíč

- I Část pro dvojitý klíč
(Nepoužívejte klíč na jinou část než tuto. V opačném případě dojde k úniku chladicího média.)
- J Část těsnění
(Konec tepelného izolačního materiálu v části spojení potrubí utěsněte jakýmkoli vhodným těsnícím materiálem, aby do tepelného izolačního materiálu nemohla pronikat voda.)

4.4. Způsob testování vzduchotěsnosti potrubí chladicí kapaliny (obr. 4-4)

- (1) Připojte nástroje pro testování.
 - Zajistěte, aby uzavírací ventily A B byly zavřené, a neotevírejte je.
 - Zvyšte tlak v potrubí chladicího média prostřednictvím servisního otvoru C uzavíracího ventilu kapaliny A.
- (2) Nezvyšujte tlak na určenou hodnotu najednou; přidávejte tlak postupně.
 - ① Zvyšte tlak na 0,5 MPa (5 kgf/cm²G), vyčkejte pět minut a zkontrolujte, zda se tlak nesnižuje.
 - ② Zvyšte tlak na 1,5 MPa (15 kgf/cm²G), vyčkejte pět minut, a zkontrolujte, zda se tlak nesnižuje.
 - ③ Zvyšte tlak na 4,15 MPa (41,5 kgf/cm²G) a změřte okolní teplotu a tlak chladicího média.
- (3) Pokud určená hodnota tlaku vydrží přibližně jeden den a nesnižuje se, potrubí vyhovělo testu a nedochází k únikům.
 - Pokud se okolní teplota zvýší o 1 °C, tlak se změní přibližně o 0,01 MPa (0,1 kgf/cm²G). Proveďte nezbytné korekce.
- (4) Pokud v krocích (2) nebo (3) dojde ke snížení tlaku, znamená to, že dochází k úniku plynu. Vyhledejte zdroj úniku plynu.

4.5. Způsob otevírání uzavíracího ventilu

Způsob otevírání uzavíracího ventilu se liší podle modelu vnější jednotky. Použijte odpovídající způsob otevírání uzavíracích ventilů.

- (1) Strana plynu modelu SW75 (obr. 4-5)
 - ① Odstraňte uzávěr a otočte dřív ventilu co nejdále proti směru hodinových ručiček pomocí šestihranného klíče velikosti 5 mm. Při dosažení zářezky přestaňte otáčet.
(\varnothing 15,88: přibližně 13 otáček.)
 - ② Ujistěte se, že je uzavírací ventil zcela otevřen, a otočte uzávěr zpět do původní polohy.
- (2) Strana plynu modelů SW100, 120 (obr. 4-6)
 - ① Odstraňte uzávěr, přitáhněte rukojeť směrem k sobě a otočením o 1/4 otáčky proti směru hodinových ručiček ventil otevřete.
 - ② Ujistěte se, že je uzavírací ventil zcela otevřen, zatlačte rukojeť směrem dovnitř a otočte uzávěr zpět do původní polohy.
- (3) Strana kapaliny modelů SW75–120 a strana plynu/kapaliny modelů SW50–75 (obr. 4-7)
 - ① Odstraňte uzávěr a otočte dřív ventilu co nejdále proti směru hodinových ručiček pomocí šestihranného klíče velikosti 4 mm. Při dosažení zářezky přestaňte otáčet.
(\varnothing 9,52: přibližně 10 otáček.)
 - ② Ujistěte se, že je uzavírací ventil zcela otevřen, zatlačte rukojeť směrem dovnitř a otočte uzávěr zpět do původní polohy.

Potrubí chladicího média modelů SW75–120 je v ochranném obalu

- Potrubí lze obalit ochranným obalem do průměru \varnothing 90 před připojením či po připojení potrubí. V obalu potrubí vyřízněte otvor podél drážky a potrubí obalte.

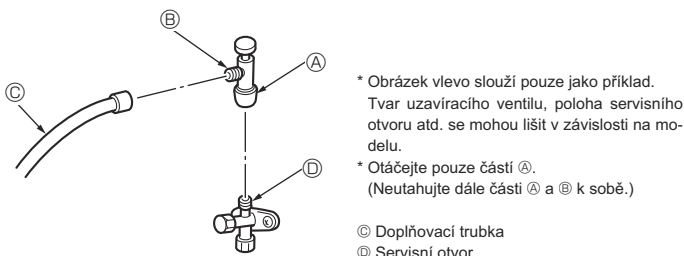
Mezera pro vstup potrubí u modelu SW75–120

- Použijte tmel nebo těsnicí hmotu k utěsnění okolí vstupu potrubí tak, aby nezůstaly žádné mezery. (Pokud mezery neuzavřete, může vznikat hluk a do jednotky může pronikat voda a prach, což může způsobit poruchu.)

Bezpečnostní opatření při použití plnicího ventilu (obr. 4-8)

Při montáži neutahujte servisní otvor nadměrně, jinak se může jádro ventilu deformovat a uvolnit, což povede k úniku plynu.

Po umístění části B v požadovaném směru otáčejte a utahujte pouze část A. Neutahujte dále části A a B k sobě poté, co utáhnete část A.



Obr. 4-8

4.6. Doplnění chladicího média

- Další plnění není nutné, pokud délka potrubí nepřekračuje 10 m.
- Pokud délka potrubí překračuje 10 m, doplňte do jednotky chladicí médium R410A podle přípustné délky potrubí uvedené v následující tabulce.
 - * Když je jednotka vypnutá, doplňte do ní chladicí médium prostřednictvím uzavíracího ventilu kapaliny poté, co bylo provedeno vakuové odvzdušnění nastaveného potrubí a vnitřní jednotky. Když je jednotka v provozu, doplňujte chladicí médium do zpětného ventilu plynu pomocí bezpečnostního plniče. Nedoplňujte kapalně chladicí médium přímo do zpětného ventilu.
 - * Po doplnění chladicího média do jednotky poznamenejte doplněné množství na servisní štítek (upevněný na jednotce). Další informace naleznete v části "1.4. Použití vnějších jednotek s chladicím médiem R410A".

- Při montáži více jednotek buďte obezřetní. Připojení k nesprávné vnitřní jednotce může vést k nadměrně vysokému tlaku s vážným dopadem na provozní výkon.

Model	Přípustná délka potrubí	Přípustný vertikální rozdíl	Množství doplňovaného chladicího média					
			11–20 m	21–30 m	31–40 m	41–50 m	51–60 m	61–75 m
SW50	2–40 m	-30 m	0,2 kg	0,4 kg	0,6 kg	—	—	—
SW75	2–40 m	-30 m	0,15 kg	0,3 kg	0,6 kg	—	—	—
SW100, 120	2–75 m	-30 m	0,2 kg	0,4 kg	1,0 kg	1,6 kg	2,2 kg	2,8 kg

5. Vypouštěcí potrubí

Připojení vypouštěcího potrubí vnější jednotky

Pokud je vyžadováno vypouštěcí potrubí, použijte vypouštěcí objímku nebo vypouštěcí nádobu (volitelné).

	SW50	SW75	SW100, 120
Vypouštěcí objímka	PAC-SJ08DS-E	PAC-SG61DS-E	
Vypouštěcí nádoba	PAC-SG63DP-E	PAC-SG64DP-E	

6. Vodní potrubí

Minimální množství vody

Ve vodním okruhu musí být následující množství vody.

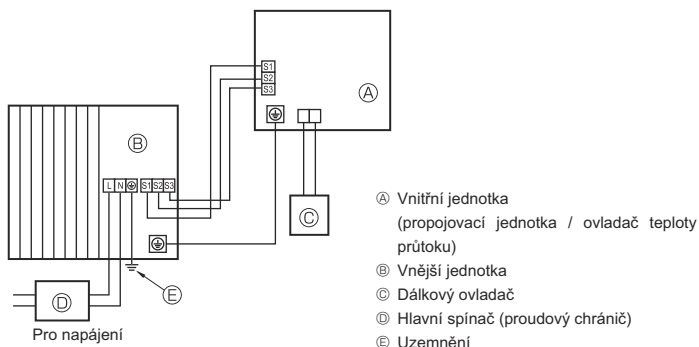
Model	Minimální množství vody (l)
SW50	22
SW75	32
SW100	43
SW120	54

Při provozu jednotky v chladicím režimu za nízkých okolních teplot (pod 0 °C) je třeba zvolit vhodná opatření pro ochranu proti zamrznutí (např. použít nemrznoucí kapalinu).

7. Elektroinstalace

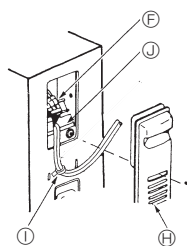
7.1. Vnější jednotka (obr. 7-1, obr. 7-2)

- ① Sejměte servisní panel.
- ② Zapojte kabely podle obr. 7-1 a obr. 7-2.

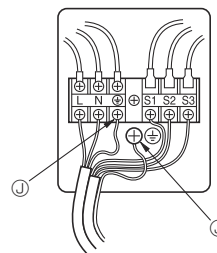


Obr. 7-1

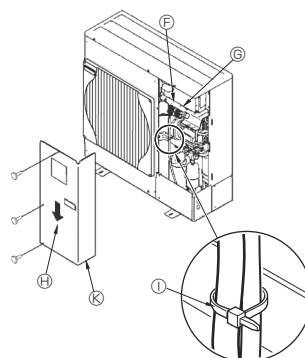
■ SW50



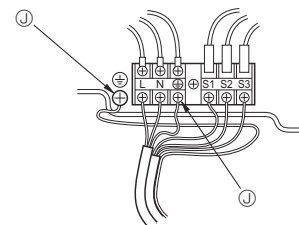
■ SW50



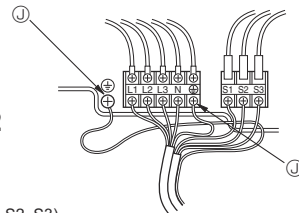
■ SW75-120



■ SW75-120V



■ SW100, 120Y



Obr. 7-2

- Ⓜ Svorkovnice
- Ⓝ Svorkovnice připojení vnitřní/vnější jednotky (S1, S2, S3)
- Ⓢ Servisní panel
- Ⓛ Upínadlo

* Upevněte kabely tak, aby se nedotýkaly středu servisního panelu ani plynového ventilu.

Ⓜ Svorka uzemnění

Ⓢ Zapojte kabely tak, aby se nedotýkaly středu servisního panelu.

Poznámka:

Pokud během servisního zákroku odstraníte ochranný plášť elektrické skříně, nezapomeňte jej nasadit zpět.

⚠ Pozor:

Nainstalujte vodič N. Bez vodiče N může dojít k poškození jednotky.

7. Elektroinstalace

7.2. Provozní elektrické kabely

Model vnější jednotky	SW50V	SW75V	SW100V	SW120V	SW100, 120Y	
Napájení vnější jednotky	~/N (jednofázový), 50 Hz, 230 V	~/N (jednofázový), 50 Hz, 230 V	~/N (jednofázový), 50 Hz, 230 V	~/N (jednofázový), 50 Hz, 230 V	3N~ (3 fáze, 4 vodiče), 50 Hz, 400 V	
Hlavní spínač (jistič) vstupní kapacity vnější jednotky *1	16 A	25 A	32 A	40 A	16 A	
Drát vedení č. x rozměr (mm ²)	Napájení vnější jednotky	3 x min. 1,5	3 x min. 2,5	3 x min. 4	3 x min. 6	5 x min. 1,5
	Vnitřní jednotka – vnější jednotka *2	3 x 1,5 (polární)	3 x 1,5 (polární)	3 x 1,5 (polární)	3 x 1,5 (polární)	3 x 1,5 (polární)
	Uzemnění vnitřní jednotky – vnější jednotky *2	1 x min. 1,5	1 x min. 1,5	1 x min. 1,5	1 x min. 1,5	1 x min. 1,5
	Dálkový ovladač vnitřní jednotky *3	2 x 0,3 (nepolární)	2 x 0,3 (nepolární)	2 x 0,3 (nepolární)	2 x 0,3 (nepolární)	2 x 0,3 (nepolární)
Zatížení obvodu	Vnější jednotka L-N (jednofázové)	230 V stř.	230 V stř.	230 V stř.	230 V stř.	230 V stř.
	Vnější jednotka L1-N, L2-N, L3-N (3fázové) *4	230 V stř.	230 V stř.	230 V stř.	230 V stř.	230 V stř.
	Vnitřní jednotka – vnější jednotka S1–S2 *4	230 V stř.	230 V stř.	230 V stř.	230 V stř.	230 V stř.
	Vnitřní jednotka – vnější jednotka S2–S3 *4	24 V stejn.	24 V stejn.	24 V stejn.	24 V stejn.	24 V stejn.
Dálkový ovladač vnitřní jednotky *4	12 V stejn.	12 V stejn.	12 V stejn.	12 V stejn.	12 V stejn.	

*1. Musí být dodán jistič s minimálně 3,0 mm rozchodem kontaktu na obou pólech. Použijte proudový chránič (NV).

Ujistěte se, že proudový chránič je kompatibilní s vyššími harmonickými kmity.

Vždy používejte proudový chránič kompatibilní s vyššími harmonickými kmity, protože jednotka je vybavena invertorem.

Použití nevhodného jističe může způsobit nesprávnou činnost invertoru.

*2. Max. 45 m

Při použití rozměru 2,5 mm², max. 50 m

Při použití rozměru 2,5 mm² a oddělené svorky S3, max. 80 m

*3. Vodič délky 10 m je připojen k příslušenství dálkového ovladače.

*4. Obrázky NEJSOU vždy správně orientovány vzhledem k terénu.

Mezi svorkami S3 a S2 je stejnosměrné napětí 24 V. Ovšem mezi svorkami S3 a S1 NEJSOU svorky elektricky izolovány transformátorem ani jiným zařízením.

Poznámky: 1. Rozměry elektrického vedení musí odpovídat místním a mezinárodním předpisům.

2. Napájecí kabely a kabely mezi propojovací jednotkou / ovladačem teploty průtoku a vnější jednotkou nesmí být lehčí než ohebné kabely potažené polychloroprenem. (Vzorek 60245 IEC 57)

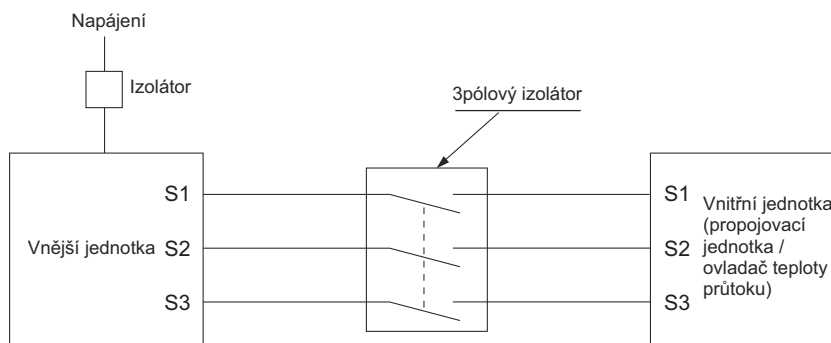
3. Kabely spojující propojovací jednotku / ovladač teploty průtoku a vnější jednotku musí být zapojeny přímo k jednotkám (nejsou povoleny žádné mezilehlé spoje).

Mezilehlé spoje mohou způsobovat poruchy komunikace. Pokud do mezilehlého spoje pronikne voda, může způsobit nedostatečnou izolaci vůči uzemnění nebo nedostatečné elektrické spojení.

(Pokud je použití mezilehlého spoje nezbytné, zajistěte opatření proti vniknutí vody do kabelů.)

4. Nainstalujte uzemňovací drát delší než ostatní kabely.

5. Nenavrhujte systém, u kterého je často zapínáno a vypínáno napájení.

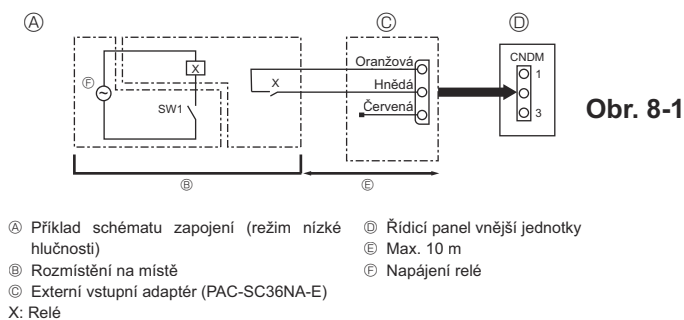


⚠ Upozornění:

- V případě zapojení řídicí desky A je na svorce S3 vysoké napětí způsobené provedením elektrického obvodu bez elektrické izolace mezi napájecím vedením a vedením komunikačního signálu. Proto při provádění servisních prací vypněte napájení. A při zapnutém napájení se nedotýkejte svorek S1, S2 a S3. Je-li třeba mezi vnitřní a vnější jednotkou použít izolátor, použijte 3pólový typ.

Nikdy nespojujte napájecí kabel nebo propojovací kabel vnitřní a vnější jednotky, protože můžete způsobit dým, požár nebo poruchu komunikace.

8. Speciální funkce



8.1. Režim nízké hlučnosti (úprava na místě) (obr. 8-1)

Provedením následující úpravy můžete snížit hlučnost provozu vnější jednotky přibližně o 3–4 dB.

Režim nízké hlučnosti lze aktivovat, pokud je ke konektoru CNDM (volitelný) řídicí desky vnější jednotky připojen komerčně dostupný časový spínač nebo kontaktní vstup spínače ON/OFF (zap./vyp.).

- Míra hlučnosti závisí na venkovní teplotě a dalších podmínkách.

- Při použití externího vstupního adaptéru (PAC-SC36NA-E) zapojte obvod uvedeným způsobem. (Volitelné)
- SW7-1 (řídicí panel vnější jednotky): VYP.
- SW1 ZAP.: Režim nízké hlučnosti
SW1 VYP.: Normální provoz

8.2. Odčerpání chladicího média (vyprázdnění)

Následující postup slouží k odčerpání chladicího média při přemístování vnitřní nebo vnější jednotky.

- Zapněte napájení (jistič).

- Když je zapnuto napájení, ujistěte se, že se na dálkovém ovladači nezobrazuje hlášení "CENTRALLY CONTROLLED" (Centrálně řízeno). Pokud se zobrazuje hlášení "CENTRALLY CONTROLLED" (Centrálně řízeno), nelze odčerpání chladicího média (vyprázdnění) provést normálně.

- Zahájení komunikace mezi vnitřní a vnější jednotkou trvá přibližně 3 minuty po zapnutí napájení (jističe). Proces odčerpání spustíte přibližně 3 až 4 minuty po zapnutí napájení (jističe).

- V případě ovládání více jednotek odpojte před jejich zapnutím kabely mezi hlavní vnitřní jednotkou a vedlejší vnitřní jednotkou. Další podrobnosti naleznete v návodu k montáži vnitřní jednotky.

- Po uzavření uzavíracího ventilu kapaliny přepněte spínač SWP na řídicí desce vnější jednotky do polohy ON (zap.). Kompressor (vnější jednotka) a ventilátory (vnitřní a vnější jednotky) začnou pracovat a postup odčerpání chladicího média bude zahájen. Indikátory LED1 a LED2 na řídicí desce vnější jednotky svítí.

- Spínač odčerpání SWP (tlačítko) přepněte do polohy ON (zap.) pouze tehdy, když je jednotka vypnutá. Pokud je však jednotka vypnutá a spínač SWP je přepnut do polohy ZAP. do 3 minut po zastavení kompressoru, nelze odčerpání chladicího média provést. Vyčkejte alespoň 3 minuty od zastavení kompressoru a poté spínač SWP znovu přepněte do polohy ON (zap.).

- Protože se jednotka automaticky vypne přibližně po 2 až 3 minutách od dokončení odčerpání chladicího média (indikátor LED1 nesvítí, indikátor LED2 svítí), je nutné, abyste uzavírací ventil plynu zavřeli rychle. Pokud indikátor LED1 svítí, indikátor LED2 nesvítí a vnější jednotka je vypnutá, nebylo odčerpání chladicího média provedeno správně. Otevřete zcela uzavírací ventil kapaliny a po uplynutí 3 minut zopakujte krok ②.

- Pokud bylo odčerpání chladicího média dokončeno normálně (indikátor LED1 nesvítí, indikátor LED2 svítí), zůstane jednotka vypnutá, dokud nevympnete napájení.

- Vypněte napájení (jistič).

- Upozorňujeme, že pokud je prodlužovací potrubí příliš dlouhá a obsahuje velké množství chladicího média, nemusí být možné odčerpání provést. Zajistěte, aby během odčerpání byl nízký tlak snížen téměř na 0 MPa (tlakoměr).

⚠ Upozornění:

Při vypouštění chladicího média vypněte před odpojením potrubí chladicího média kompressor. Pokud se do kompressoru dostane vzduch atd., může dojít k jeho prasknutí.

9. Řízení systému

Nastavte adresu chladicího systému pomocí DIP spínače na vnější jednotce.

Nastavení funkce spínače SW1

Nastavení spínače SW1	Adresa chladicího systému	Nastavení spínače SW1	Adresa chladicího systému
ZAP. VYP. <input type="checkbox"/> <input type="checkbox"/> <input type="checkbox"/> <input type="checkbox"/> <input type="checkbox"/> <input type="checkbox"/> <input type="checkbox"/> <input type="checkbox"/> 3 4 5 6 7	00	ZAP. VYP. <input type="checkbox"/> <input type="checkbox"/> <input type="checkbox"/> <input type="checkbox"/> <input type="checkbox"/> <input type="checkbox"/> <input type="checkbox"/> <input type="checkbox"/> 3 4 5 6 7	03
ZAP. VYP. <input type="checkbox"/> <input type="checkbox"/> <input type="checkbox"/> <input type="checkbox"/> <input type="checkbox"/> <input type="checkbox"/> <input type="checkbox"/> <input type="checkbox"/> 3 4 5 6 7	01	ZAP. VYP. <input type="checkbox"/> <input type="checkbox"/> <input type="checkbox"/> <input type="checkbox"/> <input type="checkbox"/> <input type="checkbox"/> <input type="checkbox"/> <input type="checkbox"/> 3 4 5 6 7	04
ZAP. VYP. <input type="checkbox"/> <input type="checkbox"/> <input type="checkbox"/> <input type="checkbox"/> <input type="checkbox"/> <input type="checkbox"/> <input type="checkbox"/> <input type="checkbox"/> 3 4 5 6 7	02	ZAP. VYP. <input type="checkbox"/> <input type="checkbox"/> <input type="checkbox"/> <input type="checkbox"/> <input type="checkbox"/> <input type="checkbox"/> <input type="checkbox"/> <input type="checkbox"/> 3 4 5 6 7	05

Poznámka:

- Připojit lze až 6 jednotek.
- Vyberte jeden model pro všechny jednotky.
- Informace o nastavení DIP spínačů vnitřních jednotek naleznete v návodu k montáži.

10. Specifikace

Vnější model	PUHZ-SW50VKA	PUHZ-SW75VHA	PUHZ-SW100VHA	PUHZ-SW120VHA	PUHZ-SW100YHA	PUHZ-SW120YHA
Napájení	V / fáze / Hz				230 / jedna / 50	
Rozměry (Š × V × H)	mm	809 × 630 × 360	950 × 943 × 330 (+30)	950 × 1350 × 330 (+30)		
Úroveň hluku *1						
SPL	Topení	dB(A)	46	51	54	54
	Chlazení	dB(A)	46	48	50	51
PWL	Topení	dB(A)	63	69	70	72

*1 Měřeno při běžné provozní frekvenci.

Spis treści

1. Zalecenia bezpieczeństwa	137	6. Przewody wodne	143
2. Miejsce instalacji	138	7. Instalacja elektryczna	143
3. Instalacja jednostki zewnętrznej	140	8. Funkcje specjalne	145
4. Instalacja rur czynnika chłodniczego	140	9. Sterowanie systemem	145
5. Przewody spustowe	143	10. Dane techniczne	145



Uwaga: Ten symbol dotyczy wyłącznie krajów członkowskich UE.

Ten symbol jest zgodny z dyrektywą 2012/19/WE art. 14: Informacje dla użytkowników i Załącznikiem IX.

Produkt MITSUBISHI ELECTRIC jest wykonany z wysokiej jakości materiałów i komponentów, nadających się do recyklingu i ponownego wykorzystania.

Symbol ten oznacza, że sprzęt elektryczny i elektroniczny, po zakończeniu okresu eksploatacji, nie powinien być utylizowany razem z odpadami domowymi.

Urządzenie należy zutylizować w lokalnym centrum zbiórki odpadów/recyklingu.

W Unii Europejskiej obowiązują osobne systemy zbiórki odpadów dla zużytych produktów elektrycznych i elektronicznych.

Pomóż nam chronić środowisko, w którym żyjemy!

⚠ Przewaga:

• Wypuszczanie czynnika R410A do atmosfery jest zabronione:

• Czynniki R410A to fluorowany gaz cieplarniany, objęty Protokołem z Kioto, o potencjale tworzenia efektu cieplarnianego (GWP) wynoszącym 1975.

■ Certyfikacja pomp ciepła

Oznaczenie "NF Heat pumps" oznacza udział w niezależnym programie certyfikacji i potwierdza, że wydajność i fabryczna jakość wykonania pomp ciepła są zgodne z normą NF-414. Kombinacje jednostek wewnętrznych i jednostek zewnętrznych oraz ich zastosowań umożliwiły użycie oznaczenia NF PAC, co można sprawdzić na stronie internetowej www.marque-nf.com

1. Zalecenia bezpieczeństwa

- ▶ Przed instalacją urządzenia zapoznać się z wszystkimi "Zaleceniami bezpieczeństwa".
- ▶ Przed podłączeniem systemu należy to zgłosić lub uzyskać zgodę dostawcy energii elektrycznej.

⚠ Ostrzeżenie:

Oznacza zalecenia bezpieczeństwa, których należy przestrzegać w celu uniknięcia zagrożenia zranieniem lub śmierci użytkownika.

⚠ Przewaga:

Oznacza zalecenia bezpieczeństwa, których należy przestrzegać w celu uniknięcia uszkodzenia urządzenia.

⚠ Ostrzeżenie:

- Użytkownik nie może samodzielnie instalować urządzenia. W tym celu należy zwrócić się do sprzedawcy lub uprawnionego technika. Nieprawidłowa instalacja urządzenia może być przyczyną nieszczelności, porażenia prądem lub pożaru.
- Podczas prac instalacyjnych należy postępować według zaleceń podanych w Instrukcji montażu oraz używać narzędzi i rur specjalnie przeznaczonych do użytku z czynnikiem chłodniczym R410A. Ciśnienie robocze czynnika chłodniczego R410A w układzie HFC jest 1,6-krotnie wyższe niż konwencjonalnych czynników chłodniczych. W przypadku użycia rur nieprzeznaczonych dla czynnika chłodniczego R410A i nieprawidłowej instalacji urządzenia, rury mogą pękać, powodując uszkodzenia lub obrażenia ciała. Grozi to także nieszczelnością, porażeniem prądem lub pożarem.
- Urządzenie należy zainstalować zgodnie z instrukcją celem zminimalizowania ryzyka powstania uszkodzeń spowodowanych trzęsieniem ziemi, tajfunem lub silnym wiatrem. Nieprawidłowo zainstalowane urządzenie może spaść z wysokości i spowodować szkody materialne i/ lub obrażenia ciała.
- Urządzenie należy zamontować na konstrukcji, która bezpiecznie wytrzyma jego ciężar. W przypadku montażu na niestabilnej konstrukcji urządzenie może spaść z wysokości i spowodować szkody materialne i/ lub obrażenia ciała.
- Jeśli jednostka zewnętrzna zostanie zainstalowana w małym pomieszczeniu, należy podjąć odpowiednie kroki, aby w razie wycieku stężenie czynnika chłodniczego w pomieszczeniu nie przekroczyło bezpiecznego poziomu. W sprawie odpowiednich kroków mających zapobiec zbyt dużemu stężeniu czynnika chłodniczego należy skontaktować się ze sprzedawcą. W razie wycieku i przekroczenia bezpiecznego poziomu czynnika chłodniczego w pomieszczeniu istnieje zagrożenie zmniejszenia zawartości tlenu w powietrzu.
- Jeśli podczas pracy dojdzie do wycieku czynnika chłodniczego, należy przewietrzyć dane pomieszczenie. Jeśli dojdzie do kontaktu czynnika chłodniczego z ogniem, zostaną uwolnione trujące gazy.
- Wszystkie prace elektryczne muszą być prowadzone przez wykwalifikowanego elektryka zgodnie z lokalnymi przepisami i zaleceniami podanymi w niniejszej Instrukcji. Do zasilania urządzenia należy użyć dedykowanych przewodów i odpowiednich wyłączników oraz wartości napięcia. Użycie przewodów nieodpowiednich do wartości obciążenia lub niewłaściwe wykonanie prac elektrycznych może być przyczyną porażenia prądem lub pożaru.
- W przypadku bezzwonowych rur miedzianych lub ze stopów miedzi, do łączenia rur czynnika chłodniczego należy używać stopu miedzi z fosforem C1220. Jeśli rury nie zostaną połączone prawidłowo, urządzenie nie będzie odpowiednio uziemione i może dojść do porażenia prądem elektrycznym.

1.1. Przed instalacją

⚠ Przewaga:

- Nie używać urządzenia w środowisku odbiegającym od normalnego. Jeśli jednostka zewnętrzna jest zainstalowana w miejscu narażonym na działanie pary wodnej, olejków eterycznych (w tym oleju maszynowego), zasilaczowego gazu, powietrza zawierającego sól, na przykład na wybrzeżu lub w miejscu, gdzie może zostać zasypana śniegiem, jej wydajność może ulec znaczącemu obniżeniu, a części wewnętrzne mogą ulec uszkodzeniu.
- Nie instalować urządzenia w miejscach, w których może dojść do wycieku, powstania, przepływu lub nagromadzenia palnych gazów. Gaz palny nagromadzony wokół urządzenia może być przyczyną pożaru lub wybuchu.

Po zakończeniu instalacji należy zapoznać klienta z "Zaleceniami bezpieczeństwa" oraz zasadami obsługi i utrzymania ruchu urządzenia w oparciu o informacje zawarte w niniejszej Instrukcji obsługi, a także przeprowadzić ruch próbny w celu sprawdzenia i zapewnienia prawidłowego funkcjonowania urządzenia. Klientowi należy przekazać na własność zarówno Instrukcję montażu, jak i Instrukcję obsługi. Instrukcje te muszą być zawsze przekazywane kolejnym użytkownikom.

⚡ : Oznacza część, która wymaga uziemienia.

⚠ Ostrzeżenie:

Należy uważnie czytać etykiety umieszczone na głównej jednostce.

- Do okablowania należy użyć wyłącznie określonych przewodów. Przewody należy odpowiednio podłączyć do listwy zaciskowej tak, aby zaciski nie były naprężone. Ponadto, nigdy nie należy łączyć ze sobą przewodów (o ile nie zaznaczono inaczej w niniejszym dokumencie). Nieprzebranie tych zaleceń może spowodować przegrzanie urządzenia lub pożar.
- Osłona listwy zaciskowej jednostki zewnętrznej musi być mocno zamocowana. W przypadku nieprawidłowego montażu tej osłony, pył i wilgoć mogą przedostać się do środka urządzenia i być przyczyną porażenia prądem lub pożaru.
- Do napełniania przewodów czynnika podczas instalacji, zmiany miejsca instalacji lub serwisowania jednostki zewnętrznej należy stosować jedynie określony czynnik chłodniczy (R410A). Nie należy mieszać go z innym czynnikiem chłodniczym ani dopuszczać do pozostawiania powietrza w przewodach. Zmieszanie czynnika z powietrzem może spowodować nieprawidłowe wysokie ciśnienie w układzie chłodniczym i doprowadzić do wybuchu bądź innych zagrożeń. Zastosowanie czynnika innego od określonego dla tego układu spowoduje uszkodzenia mechaniczne, awarię układu lub uszkodzenie jednostki. W najgorszym przypadku może to doprowadzić do poważnego naruszenia bezpieczeństwa produktu.
- Używać tylko wyposażenia dodatkowego dopuszczonego przez Mitsubishi Electric; zlecić montaż sprzedawcy lub uprawnionemu technikowi. Nieprawidłowa instalacja wyposażenia dodatkowego może być przyczyną nieszczelności, porażenia prądem lub pożaru.
- Nie wykonywać żadnych przeróbek urządzenia. Skonsultować każdą naprawę ze sprzedawcą. Nieprawidłowa przeróbka lub naprawa urządzenia może być przyczyną nieszczelności, porażenia prądem lub pożaru.
- Użytkownik nie powinien samowolnie próbować naprawiać ani przestawiać urządzenia w inne miejsce. Nieprawidłowa instalacja urządzenia może być przyczyną nieszczelności, porażenia prądem lub pożaru. W przypadku konieczności naprawy lub przeniesienia jednostki zewnętrznej, należy zwrócić się do sprzedawcy lub uprawnionego technika.
- Po zakończeniu instalacji sprawdzić, czy nie ma nieszczelności w obiegu czynnika chłodniczego. W przypadku wycieku czynnika chłodniczego do wnętrza pomieszczenia i jego kontaktu z płomieniem kotła grzewczego lub palnikiem kucharki elektrycznej powstają trujące gazy.

- Podczas ogrzewania w jednostce zewnętrznej powstają skropliny. Jeśli taki kondensat może spowodować szkody, należy odprowadzić go poza urządzenie.
- W przypadku instalacji urządzenia w szpitalu lub w obiekcie, w którym są zainstalowane systemy telekomunikacji, mogą występować szумы i zakłócenia elektryczne. Falowniki, sprzęt AGD, sprzęt medyczny pracujący na wysokiej częstotliwości oraz systemy łączności radiowej mogą powodować awarię lub uszkodzenie jednostki zewnętrznej. Jednostka zewnętrzna również może powodować nieprawidłowości w pracy sprzętu medycznego i urządzeń telekomunikacyjnych, obniżając jakość obrazu na monitorach.

1. Zalecenia bezpieczeństwa

1.2. Przed instalacją (przeniesienie w inne miejsce)

⚠ Przewaga:

- Zachować szczególną ostrożność przy transporcie i instalacji urządzeń. Urządzenie waży 20 kg lub więcej i musi być przenoszone przez min. dwie osoby. Nie chwytaj za taśmę opakowania. Podczas rozpakowywania i przeniesienia urządzenia należy nosić rękawice ochronne w celu ochrony rąk przed zranieniem spowodowanym użebrowaniem lub krawędziami innych części.
- Zapewnić bezpieczną utylizację materiału opakowania. Materiały opakowania, takie jak gwoździe i inne elementy metalowe oraz drewniane, mogą spowodować rany klute i inne obrażenia ciała.

- Należy okresowo sprawdzać, czy podstawa montażowa i mocowania jednostki zewnętrznej nie są odkręcone, pęknięte lub w inny sposób uszkodzone. Nieusunięcie takich usterek może doprowadzić do upadku urządzenia, powodując uszkodzenie i obrażenia ciała.
- Nie używać wody do mycia jednostki zewnętrznej. Ryzyko porażenia prądem elektrycznym.
- Dokręcić nakrętki kielichowe zgodnie ze specyfikacją, używając klucza dynamometrycznego. Zbyt mocne dokręcenie może doprowadzić do pęknięcia nakrętki kielichowej po dłuższym czasie i wycieku czynnika chłodniczego.

1.3. Przed rozpoczęciem prac na wyposażeniu elektrycznym

⚠ Przewaga:

- Upewnić się, że zainstalowano wyłączniki automatyczne. Ich brak może być przyczyną porażenia prądem elektrycznym.
- Do doprowadzenia zasilania użyć standardowych kabli odpowiednich do wielkości obciążenia. W przeciwnym razie może dojść do zwarcia, przegrzania lub pożaru.
- Kable zasilające układać tak, aby nie były naprężone. Poluzowanie połączeń może spowodować pęknięcie lub przerwanie oraz przegrzanie kabli, a w konsekwencji pożar.

- Wykonać prawidłowe uziemienie urządzenia. Nie łączyć przewodu uziemiającego z rurami gazowymi ani wodnymi, instalacją odgromową ani z telefonicznymi przewodami uziemiającymi. Niewłaściwe uziemienie urządzenia może stwarzać ryzyko porażenia prądem elektrycznym.
- Zastosować wyłączniki automatyczne (wyłączniki ziemnozwarciowe, odłączniki (bezpieczniki +B) oraz automatyczne wyłączniki kompaktowe) spełniające wymagania w zakresie podanego progu zadziałania. Użycie wyłączników o progu zadziałania większym niż podany może być przyczyną uszkodzenia urządzenia lub pożaru.

1.4. Używanie jednostek zewnętrznych z czynnikiem chłodniczym R410A

⚠ Przewaga:

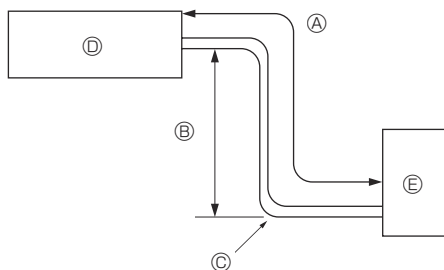
- W przypadku bezszwowych rur miedzianych lub ze stopów miedzi, do łączenia rur czynnika chłodniczego należy używać stopu miedzi z fosforem C1220. Upewnić się, że rury są wewnątrz czyste i nie zawierają żadnych szkodliwych zanieczyszczeń, takich jak związki siarki, utleniacze, zabrudzenia lub pył. Stosować rury o określonej grubości. (Patrz punkt 4.1). W razie ponownego wykorzystania istniejących rur, które zawierały czynnik chłodniczy R22, należy uwzględnić poniższe zalecenia.
 - Wymienić istniejące nakrętki kielichowe i powtórzyć kielichowanie rur kielichowanych.
 - Nie używać cienkich rur. (Patrz punkt 4.1).
- Rury przeznaczone do instalacji należy przechować w pomieszczeniu i nie usuwać zaślepek z ich końców aż do czasu lutowania. (Zostawić kolanek itp. w ich opakowaniach). W przypadku przedostania się pyłu, zanieczyszczeń lub wilgoci do rur czynnika chłodniczego, może dojść do pogorszenia się jakości oleju lub awarii sprężarki.
- Jako olej chłodniczy do smarowania rur kielichowanych powinien być używany olej estrowy, olej eterowy lub olej alkilobenzenowy (mała ilość). Zmieszanie oleju mineralnego z olejem chłodniczym może pogorszyć jego jakość.

- Używać wyłącznie czynnika chłodniczego R410A. W przypadku użycia innego czynnika chłodniczego, chlor spowoduje pogorszenie jakości oleju.
- Stosować niżej wymienione narzędzia przeznaczone specjalnie do pracy z czynnikiem chłodniczym R410A. Czynnik chłodniczy R410A wymaga stosowania poniższych narzędzi. W razie jakichkolwiek pytań należy kontaktować się z lokalnym sprzedawcą.

Narzędzia (kompatybilne z R410A)	
Przyłącze manometru	Kielichownica
Wąż zasilający	Sprawdzian do pomiaru regulacji
Wykrywacz wycieku gazu	Adapter pompy próżniowej
Klucz dynamometryczny	Elektroniczna waga do uzupełniania czynnika

- Upewnić się, że są stosowane odpowiednie narzędzia. W przypadku przedostania się pyłu, zanieczyszczeń lub wilgoci do rur czynnika chłodniczego, jakość oleju chłodniczego może ulec pogorszeniu.
- Do załadunku czynnika nie stosować butli. W razie używania butli do załadunku czynnika chłodniczego, jego skład może ulec zmianie, prowadząc do obniżenia wydajności.

2. Miejsce instalacji



Rys. 2-1

2.1. Rura czynnika chłodniczego (rys. 2-1)

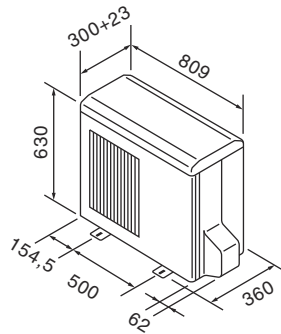
- ▶ Należy upewnić się, że różnica wysokości między jednostką wewnętrzną i zewnętrzną, długość rury czynnika chłodniczego oraz liczba zgięć rury mieszczą się w granicach przedstawionych poniżej.

Model	Ⓐ Długość rury (w jedną stronę)	Ⓑ Różnica wysokości	Ⓒ Liczba zgięć (w jedną stronę)
SW50	2 m – 40 m	Maks. 30 m	Maks. 15
SW75	2 m – 40 m	Maks. 30 m	Maks. 15
SW100, 120	2 m – 75 m	Maks. 30 m	Maks. 15

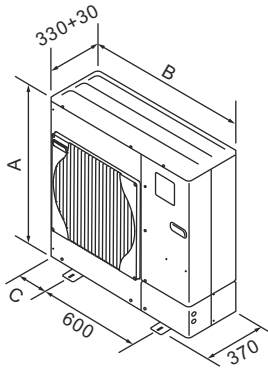
- Ograniczenie różnicy wysokości obowiązuje niezależnie od tego, która jednostka (wewnętrzna czy zewnętrzna) znajduje się wyżej.
 - Ⓓ Jednostka wewnętrzna
 - Ⓔ Jednostka zewnętrzna

2. Miejsce instalacji

■ SW50



■ SW75, 100, 120



Model	A (mm)	B (mm)	C (mm)
SW75	943	950	175
SW100	1350	950	175
SW120	1350	950	175

Rys. 2-2

(mm)

2.2. Wybór miejsca instalacji jednostki zewnętrznej

- Unikać miejsc narażonych na bezpośrednie działanie promieni słonecznych lub innych źródeł ciepła.
- Wybrać takie miejsce, w którym hałas wytwarzany przez urządzenie nie będzie przeszkadzał sąsiadom.
- Wybrać takie miejsce, które zapewni łatwy dostęp do rur i przewodów źródła zasilania i jednostki wewnętrznej.
- Unikać miejsc, w których może dojść do wycieku, powstania, przepływu lub nagromadzenia palnych gazów.
- Pamiętać, że podczas pracy z urządzenia może wyciekać woda.
- Wybrać takie położenie, w którym nie będzie problemu z obciążeniem (od ciężaru) i drganiami urządzenia.
- Unikać miejsc, w których urządzenie może zostać zasypane śniegiem. W miejscach, gdzie przewiduje się występowanie dużych opadów śniegu, należy zastosować szczególne środki ostrożności, aby śnieg nie zablokował wlotu powietrza i nie był bezpośrednio do niego nawiewany, na przykład instalując urządzenie na większej wysokości lub zakładając okap na wlocie powietrza. Zablokowanie wlotu powietrza może zmniejszyć jego przepływ i spowodować awarię.
- Unikać miejsc narażonych na działanie oleju, pary wodnej lub zasilaczowego gazu.
- Podczas przenoszenia jednostki zewnętrznej należy trzymać ją za uchwyty. Nie trzymać urządzenia za podstawę, ponieważ istnieje ryzyko przyniesienia dłoni lub palców.

2.3. Wymiary gabarytowe (jednostki zewnętrznej) (rys. 2-2)

2.4. Wentylacja i przestrzeń serwisowa

2.4.1. Instalacja w miejscu, w którym wieją silne wiatry

W przypadku instalacji jednostki zewnętrznej na dachu lub w innym miejscu narażonym na działanie wiatru, nie umieszczać wylotu powietrza z urządzenia w kierunku, z którego wieją silne wiatry. Silny wiatr działający na wylot powietrza może zakłócać jego normalny przepływ i powodować awarie.

Poniżej podano trzy przykłady zabezpieczeń przed działaniem silnych wiatrów.

- 1 Ustawić wylot powietrza w kierunku najbliższej ściany, zachowując odległość ok. 50 cm. (rys. 2-3).
- 2 Zainstalować opcjonalną kierownicę powietrza w przypadku, gdy jednostka zewnętrzna jest zainstalowana w miejscu, w którym silny wiatr, np. tajfun, może bezpośrednio działać na wylot powietrza. (rys. 2-4).
 - Ⓐ Kierownica wylotowa powietrza
- 3 Jeśli to możliwe, należy tak ustawić jednostkę zewnętrzną, aby kierunek wylotu powietrza był prostopadły do kierunku wiatru w danej porze roku. (rys. 2-5).
 - Ⓑ Kierunek wiatru

2.4.2. W przypadku instalacji jednej jednostki zewnętrznej (patrz ostatnia strona)

Poniższe wymiary są wartościami minimalnymi, za wyjątkiem tych oznaczonych jako "Maks.", które są wymiarami maksymalnymi.

Wartości w nawiasach dotyczą modeli SW100, 120.

W każdym przypadku należy odwołać się do odpowiedniego rysunku.

- 1 Miejsce ograniczone tylko z tyłu (rys. 2-6)
 - Nie instalować opcjonalnych kierownic wylotowych powietrza dla przepływu powietrza w górę.
- 2 Miejsce ograniczone tylko z tyłu i od góry (rys. 2-7)
 - Nie instalować opcjonalnych kierownic wylotowych powietrza dla przepływu powietrza w górę.
- 3 Miejsce ograniczone tylko z tyłu i po bokach (rys. 2-8)
 - * 350 dla SW50.
- 4 Miejsce ograniczone tylko z przodu (rys. 2-9)
 - * W razie użycia opcjonalnej kierownicy wylotowej powietrza odstęp w przypadku modeli SW100/120 wynosi 500 mm lub więcej.
- 5 Miejsce ograniczone tylko z przodu i z tyłu (rys. 2-10)
 - * W razie użycia opcjonalnej kierownicy wylotowej powietrza odstęp w przypadku modeli SW100/120 wynosi 500 mm lub więcej.
- 6 Miejsce ograniczone tylko z tyłu, po bokach i od góry (rys. 2-11)
 - * 350 dla SW50.
 - Nie instalować opcjonalnych kierownic wylotowych powietrza dla przepływu powietrza w górę.

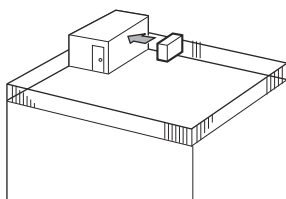
2.4.3. W przypadku instalacji więcej niż jednej jednostki zewnętrznej (patrz ostatnia strona)

Pozostawić minimum 350 mm wolnej przestrzeni w przypadku SW50 i 10 mm wolnej przestrzeni w przypadku SW75-120 między poszczególnymi jednostkami.

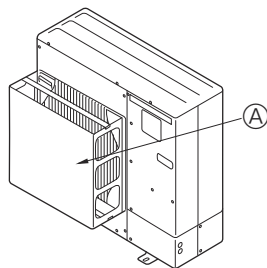
Wartości w nawiasach dotyczą modeli SW100, 120.

W każdym przypadku należy odwołać się do odpowiedniego rysunku.

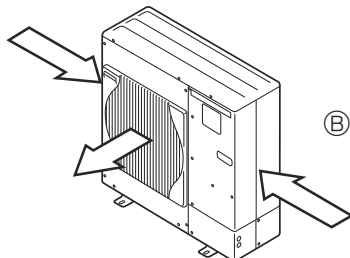
- 1 Miejsce ograniczone tylko z tyłu (rys. 2-12)
- 2 Miejsce ograniczone tylko z tyłu i od góry (rys. 2-13)
 - Nie więcej niż 3 urządzenia mogą być zainstalowane jedno obok drugiego. Ponadto należy pozostawić wolną przestrzeń jak pokazano na rysunku.
 - Nie instalować opcjonalnych kierownic wylotowych powietrza dla przepływu powietrza w górę.
- 3 Miejsce ograniczone tylko z przodu (rys. 2-14)
 - * W razie użycia opcjonalnej kierownicy wylotowej powietrza odstęp w przypadku modeli SW100/120 wynosi 1000 mm lub więcej.
- 4 Miejsce ograniczone tylko z przodu i z tyłu (rys. 2-15)
 - * W razie użycia opcjonalnej kierownicy wylotowej powietrza odstęp w przypadku modeli SW100/120 wynosi 1000 mm lub więcej.
- 5 Równoległa zabudowa pojedynczych jednostek zewnętrznych (rys. 2-16)
 - * W przypadku użycia opcjonalnej kierownicy wylotowej powietrza dla przepływu powietrza w górę odstęp wynosi 500 (1000) mm lub więcej.
- 6 Równoległa zabudowa więcej niż jednej jednostki zewnętrznej (rys. 2-17)
 - * W przypadku użycia opcjonalnej kierownicy wylotowej powietrza dla przepływu powietrza w górę odstęp wynosi 1000 (1500) mm lub więcej.
- 7 Zabudowa jednostek zewnętrznych jedna na drugiej (rys. 2-18)
 - Maksymalnie dwa urządzenia mogą być zainstalowane jedno na drugim.
 - Nie więcej niż 2 jednostki mogą być umieszczone jedna na drugiej. Ponadto należy pozostawić wolną przestrzeń jak pokazano na rysunku.



Rys. 2-3

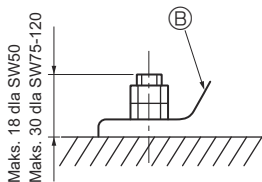
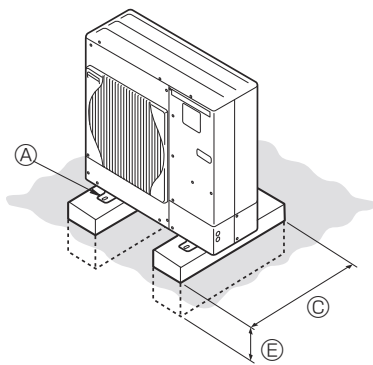


Rys. 2-4



Rys. 2-5

3. Instalacja jednostki zewnętrznej



- Ⓐ Śruba M10 (3/8")
- Ⓑ Płyta podstawy
- Ⓒ Najdłuższy możliwy
- Ⓓ Odpowietrznik
- Ⓔ Osadzić głęboko w podłożu

(mm)

- Upewnić się, że urządzenie jest umieszczone na solidnym, równym podłożu, chroniącym przed powstawaniem odgłosu klekotania podczas pracy. (rys. 3-1).

<Specyfikacje fundamentów>

Śruba fundamentowa	M10 (3/8")
Grubość warstwy betonu	120 mm
Długość śruby	70 mm
Zdolność przeniesienia obciążenia	320 kg

- Sprawdzić, czy śruby fundamentowe są wkręcone na głębokość 30 mm od spodu podstawy.
- Mocno przykręcić płytę podstawy urządzenia do solidnego podłoża za pomocą 4 śrub fundamentowych M10.

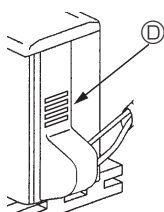
Instalacja jednostki zewnętrznej

- Nie zasłaniać otworu wentylacyjnego. W przypadku zasłonięcia otworu dojdzie do zakłóceń w pracy urządzenia i może ono ulec uszkodzeniu.
- W razie konieczności wykonania dodatkowego zamocowania urządzenia, oprócz podstawy urządzenia należy wykorzystać otwory montażowe znajdujące się w jego tylnej części do przymocowania przewodów itp. Do montażu należy użyć wkrętów samogwintujących ($\phi 5 \times 15$ mm lub mniejszych).

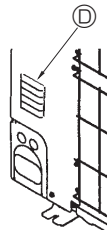
⚠ Ostrzeżenie:

- Urządzenie należy zamontować na konstrukcji, która bezpiecznie wytrzyma jego ciężar. W przypadku montażu na niestabilnej konstrukcji urządzenie może spaść z wysokości i spowodować szkody materialne i/ lub obrażenia ciała.
- Urządzenie należy zainstalować zgodnie z instrukcją celem zminimalizowania ryzyka powstania uszkodzeń spowodowanych trzęsieniem ziemi, tajfunem lub silnym wiatrem. Nieprawidłowo zainstalowane urządzenie może spaść z wysokości i spowodować szkody materialne i/ lub obrażenia ciała.

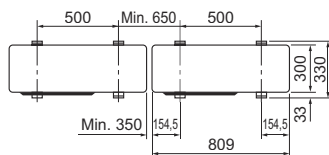
■ SW50



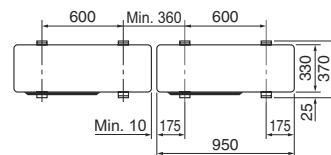
■ SW75-120



■ SW50



■ SW75-120



Rys. 3-1

4. Instalacja rur czynnika chłodniczego

4.1. Środki ostrożności w przypadku urządzeń, które wykorzystują czynnik chłodniczy R410A

- Punkt 1.4 zawiera dodatkowe, niewymienione niżej środki ostrożności dotyczące używania jednostek zewnętrznych z czynnikiem chłodniczym R410A.
- Jako olej chłodniczy do smarowania rur kielichowanych powinien być używany olej estrowy, olej eterowy lub olej alkilobenzenowy (mała ilość).
- W przypadku bezszwowych rur miedzianych lub ze stopów miedzi, do łączenia rur czynnika chłodniczego należy używać stopu miedzi z fosforem C1220. Należy użyć rur czynnika chłodniczego o grubości podanej w tabeli poniżej. Upewnić się, że rury są wewnątrz czyste i nie zawierają żadnych szkodliwych zanieczyszczeń, takich jak związki siarki, utleniające, zabrudzenia lub pył.

Podczas lutowania rur zawsze należy stosować lutowanie nieutleniające, aby zapobiec uszkodzeniu sprężarki.

⚠ Ostrzeżenie:

Do napełniania przewodów czynnika podczas instalacji, zmiany miejsca instalacji lub serwisowania jednostki zewnętrznej należy stosować jedynie określony czynnik chłodniczy (R410A). Nie należy mieszać go z innym czynnikiem chłodniczym ani dopuszczać do pozostawania powietrza w przewodach.

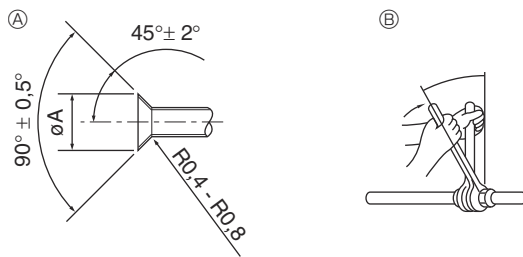
Zmieszanie czynnika z powietrzem może spowodować nieprawidłowe wysokie ciśnienie w układzie chłodniczym i doprowadzić do wybuchu bądź innych zagrożeń.

Zastosowanie czynnika innego od określonego dla tego układu spowoduje uszkodzenia mechaniczne, awarię układu lub uszkodzenie jednostki. W najgorszym przypadku może to doprowadzić do poważnego naruszenia bezpieczeństwa produktu.

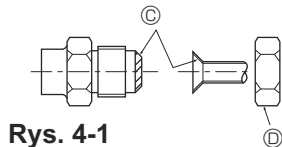
Średnica rury (mm)	$\phi 6,35$	$\phi 9,52$	$\phi 12,7$	$\phi 15,88$	$\phi 19,05$	$\phi 22,2$	$\phi 25,4$	$\phi 28,58$
Grubość (mm)	0,8	0,8	0,8	1,0	1,0	1,0	1,0	1,0

- Nie używać rur cieńszych niż podane powyżej.
- Jeśli średnica wynosi 22,2 mm lub więcej, należy zastosować rury 1/2 H lub H.

4. Instalacja rur czynnika chłodniczego



- Ⓐ Wymiary przycinania kielichów
 Ⓑ Moment dokręcania nakrętek kielichowych



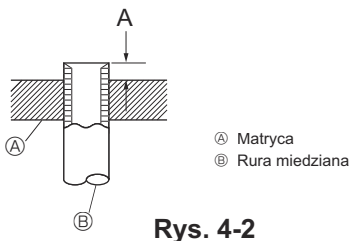
Rys. 4-1

Ⓐ (Rys. 4-1)

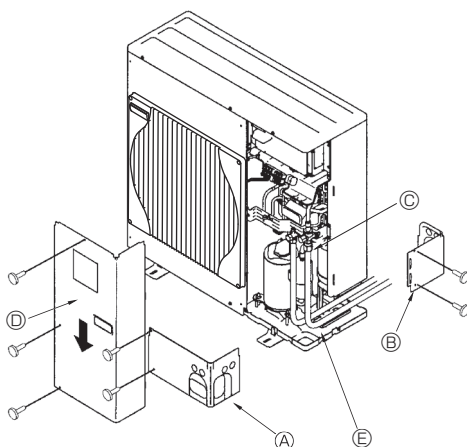
Rura miedziana, śr. zewn. (mm)	Wymiary kielichów Wymiary øA (mm)
ø6,35	8,7–9,1
ø9,52	12,8–13,2
ø12,7	16,2–16,6
ø15,88	19,3–19,7
ø19,05	23,6–24,0

Ⓑ (Rys. 4-1)

Rura miedziana, śr. zewn. (mm)	Nakrętka kielichowa, śr. zewn. (mm)	Moment dokręcania (N·m)
ø6,35	17	14–18
ø6,35	22	34–42
ø9,52	22	34–42
ø12,7	26	49–61
ø12,7	29	68–82
ø15,88	29	68–82
ø15,88	36	100–120
ø19,05	36	100–120



Rys. 4-2



Rys. 4-3

- Ⓐ Przednia osłona rur
 Ⓑ Osłona rur
 Ⓒ Zawór odcinający
 Ⓓ Panel serwisowy
 Ⓔ Promień gięcia: 100 mm – 150 mm

4.2. Łączenie rur (rys. 4-1)

- Używając dostępnych w sprzedaży rur miedzianych, należy owinać rury cieczowe i gazowe dostępnymi w sprzedaży materiałami izolacyjnymi (odpornymi na wysoką temperaturę do 100 °C lub wyższą, o grubości 12 mm lub większej). Bezpośredni kontakt z niezabezpieczonymi przewodami rurowymi może doprowadzić do poparzeń lub odmrożeń.
- Znajdujące się w pomieszczeniu odcinki rury odprowadzającej skropliny należy owinać materiałem izolacyjnym z pianki polietylenowej (ciężar właściwy 0,03, grubość 9 mm lub większa).
- Przed dokręceniem nakrętki kielichowej należy nasmarować powierzchnię połączenia rury i złączki cienką warstwą oleju chłodniczego. Ⓐ
- Połączenia rurowe należy dokręcać za pomocą dwóch kluczy. Ⓑ
- Po wykonaniu połączeń należy sprawdzić, czy nie ma wycieków gazu, używając do tego wykrywacza nieszczelności lub wody z mydłem.
- Nasmarować całą powierzchnię połączenia kielichowego olejem do chłodziarek. Ⓒ
- Zastosować nakrętki kielichowe dla następujących średnic rur. Ⓓ

		SW50	SW75	SW100, 120
Strona gazowa	Średnica rury (mm)	ø12,7	ø15,88	ø15,88
Strona cieczowa	Średnica rury (mm)	ø6,35	ø9,52	ø9,52

- Zachować ostrożność podczas gięcia rur, aby ich nie połamać. Wystarczający promień gięcia to 100 mm do 150 mm.
- Dopilnować, aby rury nie dotykały sprężarki. Grozi to nietypowym hałasem lub wibracjami.
- ① Rury należy podłączać, zaczynając od jednostki wewnętrznej. Nakrętki kielichowe należy dokręcać kluczem dynamometrycznym.
- ② Wykonać kielichowanie rur cieczowych i gazowych, po czym nasmarować je cienką warstwą oleju chłodniczego (na miejscu).
- Używając standardowego uszczelnacza do rur, należy wykonać kielichowanie rur czynnika chłodniczego R410A zgodnie z Tabelą 1. Pomiary A można potwierdzić sprawdzianem do pomiaru regulacji.

Tabela 1 (rys. 4-2)

Rura miedziana, śr. zewn. (mm)	A (mm)	
	Kielichownica do R410A	Typ bloku zaciskowego
ø6,35 (1/4")	0–0,5	
ø9,52 (3/8")	0–0,5	
ø12,7 (1/2")	0–0,5	
ø15,88 (5/8")	0–0,5	
ø19,05 (3/4")	0–0,5	

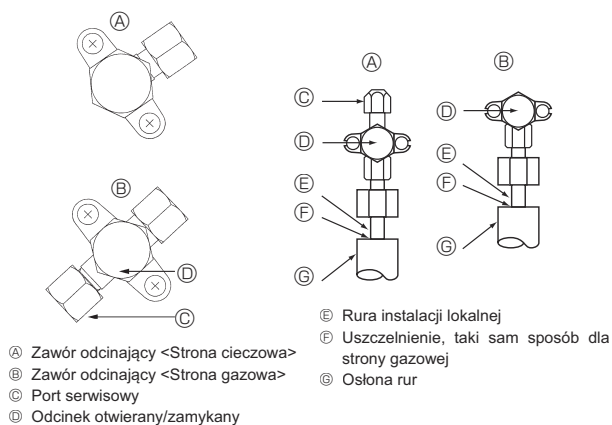
⚠ Ostrzeżenie:

Podczas montażu jednostki, przed uruchomieniem sprężarki należy starannie podłączyć rury czynnika chłodniczego.

4.3. Rury czynnika chłodniczego (rys. 4-3)

- W przypadku SW50
Zdjąć panel serwisowy Ⓓ (1 wkręt).
 - W przypadku SW75-120
Zdjąć panel serwisowy Ⓓ (3 wkręty), a także przednią osłonę rur Ⓐ (2 wkręty) i tylną osłonę rur Ⓑ (2 wkręty: SW75) (4 wkręty: SW100, 120).
 - ① Wykonać połączenia rur czynnika chłodniczego przy jednostce wewnętrznej/zewnętrznej, kiedy zawór odcinający jednostki zewnętrznej jest całkowicie zamknięty.
 - ② Używając podciśnienia, usunąć powietrze z jednostki wewnętrznej i rur połączeniowych.
 - ③ Po podłączeniu rur czynnika chłodniczego należy sprawdzić, czy z rur połączeniowych i jednostki wewnętrznej nie wycieka gaz. (Patrz punkt 4.4 Metoda testowania szczelności rur czynnika chłodniczego)
 - ④ Do utrzymania podciśnienia przez odpowiedni czas (co najmniej jedną godzinę po osiągnięciu –101 kPa (5 Tr)) w celu osuszenia próżniowego wnętrza rur, do portu serwisowego podłącza się pompę próżniową o dużej wydajności. Zawsze należy sprawdzać stopień próżni na przyłączy manometru. Jeśli wewnątrz rur pozostanie wilgotne, czasami nie udaje się osiągnąć stopnia próżni po krótkim zastosowaniu podciśnienia.
- Po osuszeniu próżniowym należy całkowicie otworzyć zawory odcinające (cieczowy i gazowy) jednostki zewnętrznej. To całkowicie połączy obiegi czynnika chłodniczego jednostki wewnętrznej i zewnętrznej.
- Jeśli osuszanie próżniowe zostanie wykonane nieprawidłowo, powietrze i para wodna pozostaną w obiegach czynnika chłodniczego i mogą powodować nietypowy wzrost wysokiego ciśnienia, nietypowy spadek niskiego ciśnienia, pogorszenie oleju do chłodziarek z powodu wilgoci itp.
 - Jeśli zawory odcinające pozostaną zamknięte i urządzenie zostanie włączone, dojdzie do uszkodzenia sprężarki i zaworów sterujących.
 - Sprawdzić, czy nie ma wycieków gazu na odcinkach połączenia rur jednostki zewnętrznej, używając do tego wykrywacza nieszczelności lub wody z mydłem.
 - Nie używać czynnika chłodniczego z urządzenia do usuwania powietrza z przewodów czynnika chłodniczego.
 - Po zakończeniu pracy przy zaworach, dokręcić korki zaworów odpowiednim momentem obrotowym: 20 do 25 N·m (200 do 250 kgf·cm). Jeśli korki nie zostaną założone i dokręcone, może dojść do wycieku czynnika chłodniczego. Nie należy także uszkodzić wnętrza korków zaworów, ponieważ pełnią one rolę uszczelnienia, zapobiegając wyciekowi czynnika chłodniczego.
 - ⑤ Uszczelnić szczelnym zakończenia termoizolacji wokół odcinków połączenia rur, aby woda nie mogła przedostać się do termoizolacji.

4. Instalacja rur czynnika chłodniczego



Rys. 4-4

4.4. Metoda testowania szczelności rur czynnika chłodniczego (rys. 4-4)

- Podłączyć narzędzia testowe.
 - Upewnić się, że zawory odcinające A i B są zamknięte i nie otwierać ich.
 - Zwiększyć ciśnienie w przewodach czynnika chłodniczego za pomocą portu serwisowego C zaworu odcinającego cieczy A.
- Nie należy gwałtownie zwiększać ciśnienia do określonej wartości; należy to robić stopniowo.
 - Zwiększyć ciśnienie do 0,5 MPa (5 kgf/cm²G), odczekać pięć minut, po czym upewnić się, że ciśnienie nie spada.
 - Zwiększyć ciśnienie do 1,5 MPa (15 kgf/cm²G), odczekać pięć minut, po czym upewnić się, że ciśnienie nie spada.
 - Zwiększyć ciśnienie do 4,15 MPa (41,5 kgf/cm²G) i zmierzyć temperaturę otoczenia i ciśnienie czynnika chłodniczego.
- Jeśli określone ciśnienie utrzymuje się przez około jeden dzień i nie spada, rury pomyślnie przeszły test i są szczelne.
 - Jeśli temperatura otoczenia zmieni się o 1 °C, ciśnienie zmieni się o około 0,01 MPa (0,1 kgf/cm²G). Dokonać odpowiedniej korekty.
- Jeśli ciśnienie spadnie w kroku (2) lub (3), istnieje wyciek gazu. Odszukać źródło wycieku gazu.

4.5. Metoda otwierania zaworu odcinającego

Metoda otwierania zaworu odcinającego różni się w zależności od modelu jednostki zewnętrznej. Zawory odcinające należy otwierać, stosując odpowiednią metodę.

- Strona gazowa SW75 (rys. 4-5)
 - Zdjąć korek i obrócić do oporu trzpień zaworu w kierunku przeciwnym do ruchu wskazówek zegara za pomocą klucza imbusowego 5 mm. Przerwać obracanie po osiągnięciu ogranicznika. (ø15,88: około 13 obrotów)
 - Upewnić się, że zawór odcinający jest całkowicie otwarty i założyć korek.
- Strona gazowa SW100, 120 (rys. 4-6)
 - Aby otworzyć zawór, należy zdjąć korek, pociągnąć dźwignię do siebie i obrócić o 1/4 obrotu w kierunku przeciwnym do ruchu wskazówek zegara.
 - Upewnić się, że zawór odcinający jest całkowicie otwarty, wcisnąć dźwignię i założyć korek.
- Strona cieczowa SW75-120 i strona gazowa/cieczowa SW50-75 (rys. 4-7)
 - Zdjąć korek i obrócić do oporu trzpień zaworu w kierunku przeciwnym do ruchu wskazówek zegara za pomocą klucza imbusowego 4 mm. Przerwać obracanie po osiągnięciu ogranicznika. (ø9,52: około 10 obrotów)
 - Upewnić się, że zawór odcinający jest całkowicie otwarty, wcisnąć dźwignię i założyć korek.

W modelu SW75-120 rury czynnika chłodniczego są bezpiecznie owinięte

- Rury można bezpiecznie owinąć do średnicy ø90 przed lub po ich podłączeniu. Wyciąć otwór w osłonie rur zgodnie z szablonem i owinąć rury.

Szczelina wlotowa rur w modelu SW75-120

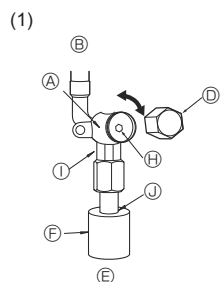
- Uszczelnić kitem lub szczeliwem wlot wokół rur, aby nie było żadnych szczelin. (Pozostawienie szczelin może spowodować głośniejszą pracę lub dostanie się wody i kurzu do urządzenia, prowadząc do awarii).

Środki ostrożności podczas używania zaworu zasilającego (rys. 4-8)

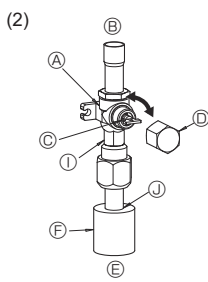
Nie dokręcać zbyt mocno portu serwisowego podczas jego instalacji, ponieważ można zdeformować i poluzować trzpień zaworu, powodując wyciek gazu.

Po ustawieniu odcinka ⑥ w żądanym kierunku, należy obrócić tylko odcinek ④ i dokręcić.

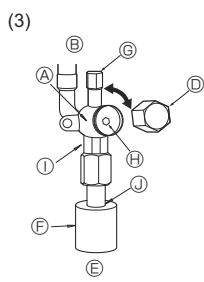
Nie dokręcać bardziej odcinków ④ i ⑥ po dokręceniu odcinka ④.



Rys. 4-5



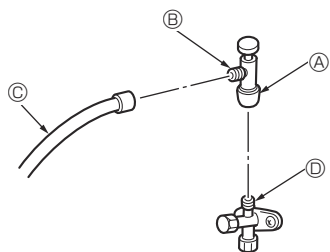
Rys. 4-6



Rys. 4-7

- Ⓐ Zawór
- Ⓑ Strona urządzenia
- Ⓒ Dźwignia
- Ⓓ Korek
- Ⓔ Strona rury instalacji lokalnej
- Ⓕ Osłona rur
- Ⓖ Port serwisowy
- Ⓗ Otwór na klucz

- ① Odcinek dokręcany za pomocą dwóch kluczy (Nie używać klucza w innym miejscu poza tym. Spowoduje to wyciek chłodziwa).
- ② Odcinek uszczelnienia (Uszczelnić zakończenie materiału termoizolacyjnego przy odcinku połączenia rur dowolnym posiadanym materiałem uszczelniającym, aby woda nie mogła przedostać się do materiału termoizolacyjnego).



* Rysunek po lewej jest jedynie przykładowy. Kształt zaworu odcinającego, położenie portu serwisowego itp. mogą się różnić w zależności od modelu.

* Obrócić tylko odcinek ④. (Nie dokręcać bardziej odcinków ④ i ⑥ razem).

- Ⓔ Wąż zasilający
- Ⓕ Port serwisowy

Rys. 4-8

4.6. Uzupełnianie czynnika chłodniczego

- Jeśli długość rur nie przekracza 10 m, nie trzeba uzupełniać czynnika chłodniczego.
- Jeśli długość rur przekracza 10 m, należy uzupełnić czynnik chłodniczy R410A w urządzeniu odpowiednio do dopuszczalnej długości rur podanej w tabeli poniżej.
 - Po zatrzymaniu urządzenia napełnić je dodatkowym czynnikiem chłodniczym przez zawór odcinający cieczy po wytworzeniu próżni w rurach i jednostce wewnętrznej.
 - Po włączeniu urządzenia dodać czynnik chłodniczy przez zawór zwrotny gazu za pomocą bezpiecznej stacji napełniania. Nie dodawać ciepłego czynnika chłodniczego bezpośrednio przez zawór zwrotny.
 - Po uzupełnieniu czynnika chłodniczego w urządzeniu, należy zapisać dodaną ilość czynnika chłodniczego na etykiecie serwisowej (przyczepionej do urządzenia). Patrz punkt "1.4. Używanie jednostek zewnętrznych z czynnikiem chłodniczym R410A", który zawiera dodatkowe informacje.

- Zachować ostrożność w przypadku instalowania wielu urządzeń. Podłączenie do nieprawidłowej jednostki wewnętrznej może prowadzić do nietypowo wysokiego ciśnienia i mieć poważny wpływ na wydajność pracy.

Model	Dopuszczalna długość rur	Dopuszczalna różnica wysokości	Dodatkowa ilość czynnika chłodniczego					
			11–20 m	21–30 m	31–40 m	41–50 m	51–60 m	61–75 m
SW50	2 m – 40 m	-30 m	0,2 kg	0,4 kg	0,6 kg	—	—	—
SW75	2 m – 40 m	-30 m	0,15 kg	0,3 kg	0,6 kg	—	—	—
SW100, 120	2 m – 75 m	-30 m	0,2 kg	0,4 kg	1,0 kg	1,6 kg	2,2 kg	2,8 kg

5. Przewody spustowe

Podłączanie rury odprowadzającej skropliny z jednostki zewnętrznej

W przypadku konieczności zabudowy rurociągu drenażowego należy zainstalować gniazdo spustowe lub misę zlewną (opcja).

	SW50	SW75	SW100, 120
Gniazdo spustowe	PAC-SJ08DS-E	PAC-SG61DS-E	
Misa zlewna	PAC-SG63DP-E	PAC-SG64DP-E	

6. Przewody wodne

Minimalna ilość wody

W obiegu wodnym konieczna jest poniżej podana ilość wody.

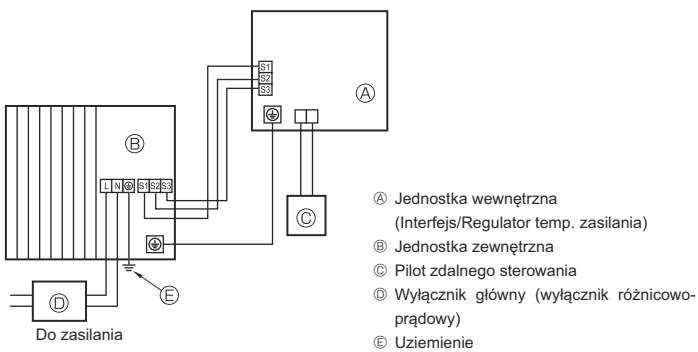
Model	Minimalna ilość wody (l)
SW50	22
SW75	32
SW100	43
SW120	54

W przypadku pracy urządzenia w trybie chłodzenia przy niskiej temperaturze otoczenia (poniżej 0°C) należy podjąć środki zapobiegające zamarzaniu, na przykład zastosować płyn niezamarzający.

7. Instalacja elektryczna

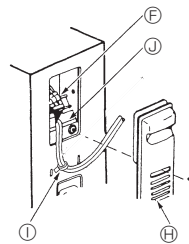
7.1. Jednostka zewnętrzna (rys. 7-1 i 7-2)

- ① Usunąć panel serwisowy.
- ② Podłączyć przewody zgodnie z rys. 7-1 i 7-2.

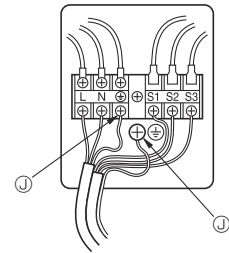


Rys. 7-1

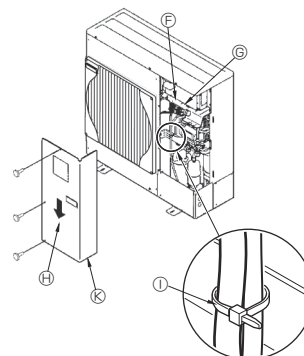
■ SW50



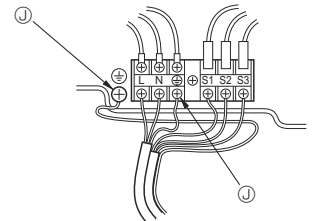
■ SW50



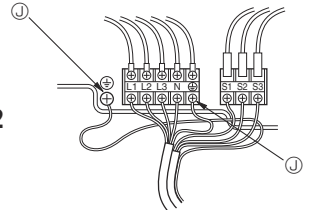
■ SW75-120



■ SW75-120V



■ SW100, 120Y



Rys. 7-2

- Ⓧ Listwa zaciskowa
- Ⓨ Listwa zaciskowa podłączania jednostki wewnętrznej/zewnętrznej (S1, S2, S3)
- Ⓩ Panel serwisowy
- ⓐ Zacisk

* Związać kable w taki sposób, aby nie dotykały środka panelu serwisowego lub zaworu gazowego.

ⓑ Zacisk uziemienia

ⓓ Ułożyć kable w taki sposób, aby nie stykały się ze środkiem panelu serwisowego.

Uwaga:

Jeśli podczas serwisowania zostanie zdjęta osłona skrzynki elektrycznej, należy ją ponownie założyć.

⚠ Przewaga:

Upewnij się, że instalacja wyposażona jest w przewód zerowy N. Brak tego przewodu może spowodować uszkodzenie urządzenia.

7. Instalacja elektryczna

7.2. Biegunowe przewody elektryczne

Model jednostki zewnętrznej	SW50V	SW75V	SW100V	SW120V	SW100, 120Y	
Zasilanie jednostki zewnętrznej	~/N (jednofazowe), 50 Hz, 230 V	~/N (jednofazowe), 50 Hz, 230 V	~/N (jednofazowe), 50 Hz, 230 V	~/N (jednofazowe), 50 Hz, 230 V	3N~ (3-fazowe, 4-żyłowe), 50 Hz, 400 V	
Napięcie wejściowe jednostki zewnętrznej, wyłącznik główny (wyłącznik)	*1 16 A	25 A	32 A	40 A	16 A	
Przewód elektryczny, liczba x średnica żył (mm ²)	Zasilanie jednostki zewnętrznej	3 × min. 1,5	3 × min. 2,5	3 × min. 4	3 × min. 6	5 × min. 1,5
	Jednostka wewnętrzna – jednostka zewnętrzna	*2 3 × 1,5 (biegunowy)	3 × 1,5 (biegunowy)	3 × 1,5 (biegunowy)	3 × 1,5 (biegunowy)	3 × 1,5 (biegunowy)
	Uziemienie: jednostka wewnętrzna – jednostka zewnętrzna	*2 1 × min. 1,5	1 × min. 1,5	1 × min. 1,5	1 × min. 1,5	1 × min. 1,5
Wartość znamionowa	Zdalny sterownik – jednostka wewnętrzna	*3 2 × 0,3 (niebiegunowy)	2 × 0,3 (niebiegunowy)	2 × 0,3 (niebiegunowy)	2 × 0,3 (niebiegunowy)	2 × 0,3 (niebiegunowy)
	Jednostka zewnętrzna – między przewodem fazowym a neutralnym (przy zasilaniu jednofazowym)	*4 230 V AC	230 V AC	230 V AC	230 V AC	230 V AC
	Jednostka zewnętrzna – między przewodami fazowymi a przewodem neutralnym L1-N, L2-N, L3-N (przy zasilaniu 3-fazowym)	*4 230 V AC	230 V AC	230 V AC	230 V AC	230 V AC
	Jednostka wewnętrzna – jednostka zewnętrzna S1 – S2	*4 230 V AC	230 V AC	230 V AC	230 V AC	230 V AC
	Jednostka wewnętrzna – jednostka zewnętrzna S2 – S3	*4 24 V DC	24 V DC	24 V DC	24 V DC	24 V DC
	Zdalny sterownik – jednostka wewnętrzna	*4 12 V DC	12 V DC	12 V DC	12 V DC	12 V DC

*1. Należy dostarczyć wyłącznik z przerwą między stykami wynoszącą minimum 3,0 mm. Należy zastosować wyłącznik różnicowoprądowy (NV).

Upewnij się, że wyłącznik różnicowoprądowy jest kompatybilny z wyższymi harmonicznymi.

Należy stosować wyłącznie wyłączniki różnicowoprądowe kompatybilne z wyższymi harmonicznymi, ponieważ jednostka wyposażona jest w falownik.

Zastosowanie nieodpowiedniego wyłącznika może spowodować nieodpowiednie działanie falownika.

*2. Maks. 45 m

W przypadku 2,5 mm², maks. 50 m

W przypadku 2,5 mm² i oddzielnego S3, maks. 80 m

*3. Zdalny sterownik jest wyposażony w przewód 10 m.

*4. Przedstawione liczby NIE we wszystkich wypadkach biorą pod uwagę uziemienie.

Między zaciskiem S3 i S2 jest napięcie stałe 24 V DC. Jednak w przypadku S3 i S1, zaciski te NIE są izolowane elektrycznie przez transformator ani inne urządzenie.

Uwagi: 1. Przekrój przewodów musi być zgodny z odpowiednimi przepisami lokalnymi i krajowymi.

2. Kable zasilające i połączeniowe między interfejsem/regulatorem temp. zasilania i jednostką zewnętrzną nie mogą być niższej jakości niż elastyczne kable ekranowane z powłoką z neoprenu. (zgodnie z normą 60245 IEC 57).

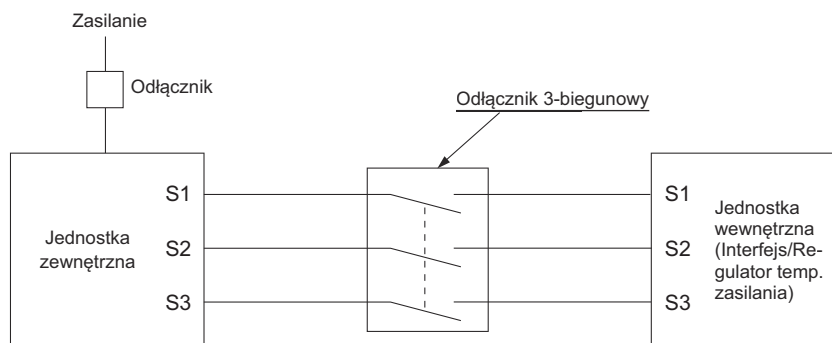
3. Kable połączeniowe między interfejsem/regulatorem temp. zasilania i jednostką zewnętrzną należy łączyć bezpośrednio z tymi jednostkami (nie dopuszcza się połączeń pośrednich).

Połączenia pośrednie mogą powodować błędy w komunikacji. W przypadku przedostania się wody do punktu połączenia pośredniego może dojść do pogorszenia stanu izolacji (spadku oporu izolacji mierzonego w stosunku do uziemienia poniżej dopuszczalnej wartości) lub nieprawidłowego styku elektrycznego.

(W przypadku konieczności wykonania połączenia pośredniego należy zastosować środki przeciwdziałające przedostaniu się wody do kabli).

4. Zamocować przewód uziemienia o długości większej niż pozostałe przewody.

5. Nie konstruować systemu z zasilaniem, które jest często włączane i wyłączane.

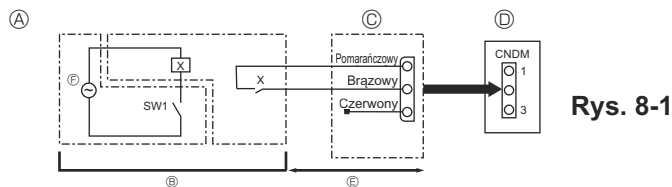


⚠ Ostrzeżenie:

- W przypadku okablowania sterującego "A" zacisk S3 jest pod wysokim napięciem wynikającym z konfiguracji obwodu elektrycznego — nie ma izolacji elektrycznej między przewodem zasilającym a sterującym. Z tego powodu należy na czas serwisowania odłączyć główne zasilanie. Nie należy dotykać zacisków S1, S2, S3, kiedy zasilanie znajduje się pod napięciem. Jeśli między jednostką wewnętrzną a jednostką zewnętrzną konieczne jest zastosowanie odłącznika, należy zastosować odłącznik 3-biegunowy.

Nigdy nie łączyć ze sobą (przez splatanie) przewodu zasilającego ani przewodu łączącego jednostkę zewnętrzną z wewnętrzną, ponieważ może to spowodować powstanie dymu, ognia lub błędu komunikacji.

8. Funkcje specjalne



Rys. 8-1

- A Przykład schematu obwodu (tryb pracy cichej)
 B Rozplanowanie instalacji w miejscu przeznaczenia
 C Adapter wejścia zewnętrznego (PAC-SC36NA-E)
 X: Przełącznik
 D Pulpit sterowniczy jednostki zewnętrznej
 E Maks. 10 m
 F Zasilanie przełącznika

8.1. Tryb pracy cichej (modyfikacja wykonana w miejscu przeznaczenia) (rys. 8-1)

Wykonując poniższe modyfikacje można obniżyć hałas jednostki zewnętrznej o około 3-4 dB.

Tryb pracy cichej zostanie uruchomiony w przypadku, gdy do portu CNDM (opcja) na pulpicie sterowniczym jednostki zewnętrznej zostanie podłączony ogólnodostępny timer lub wejście potencjałowe przełącznika dwustanowego ON/OFF (włącz./wył.).

- Skuteczność tego trybu zależy od temperatury i warunków panujących na zewnątrz.
- 1 W przypadku użycia adapteru zewnętrznego wejścia (PAC-SC36NA-E) należy wykonać przedstawiony obwód. (Opcja)
 - 2 SW7-1 (pulpit sterowniczy jednostki zewnętrznej): OFF (wył.)
 - 3 SW1 ON (włącz.): Tryb pracy cichej
SW1 OFF (wył.): Praca normalna

8.2. Usunięcie czynnika chłodniczego (odpompowanie)

Usunąć czynnik chłodniczy, wykonując poniższe czynności, w przypadku przeniesienia jednostki wewnętrznej lub jednostki zewnętrznej.

- 1 Podać zasilanie (wyłącznik automatyczny).
 - * Po podaniu zasilania upewnić się, że na zdalnym sterowniku nie jest wyświetlany komunikat "CENTRALLY CONTROLLED" (STEROWANIE CENTRALNE). Jeśli jest wyświetlany komunikat "CENTRALLY CONTROLLED" (STEROWANIE CENTRALNE), nie można normalnie wykonać usuwania czynnika chłodniczego (odpompowania).
 - * Uruchomienie komunikacji między jednostkami wewnętrzną i zewnętrzną zajmuje około 3 minut po włączeniu zasilania (wyłącznik automatyczny). Rozpocząć odpompowanie 3-4 minuty po włączeniu zasilania (wyłącznik automatyczny).
 - * W przypadku sterowania wieloma jednostkami, przed włączeniem zasilania należy rozłączyć przewody między główną jednostką wewnętrzną i podrzędną jednostką wewnętrzną. Dodatkowe informacje zawiera instrukcja montażu jednostki wewnętrznej.
- 2 Po zamknięciu zaworu odcinającego cieczy, ustawić przełącznik SWP na pulpicie sterowniczym jednostki zewnętrznej w pozycji ON. Sprężarka (jednostka zewnętrzna) i wentylatory (jednostki wewnętrzna i zewnętrzna) rozpoczną pracę i rozpocznie się usuwanie czynnika chłodniczego. Diody LED1 i LED2 na pulpicie sterowniczym jednostki zewnętrznej są włączone.
 - * Jeśli urządzenie jest wyłączone, wystarczy ustawić przełącznik SWP (przełącznik) w pozycji ON. Jednak nawet jeśli urządzenie zostanie wyłączone, a przełącznik SWP zostanie ustawiony w pozycji ON przed upływem 3 minut od zatrzymania sprężarki, nie będzie można wykonać usuwania czynnika chłodniczego. Zaczekać, aż upłyną 3 minuty od zatrzymania sprężarki, po czym ponownie ustawić przełącznik SWP w pozycji ON.
- 3 Ponieważ urządzenie automatycznie zatrzymuje się w ciągu około 2-3 minut po zakończeniu usuwania czynnika chłodniczego (diody LED1 wyłączone, dioda LED2 świeci), należy szybko zamknąć zawór odcinający gaz. Jeśli dioda LED1 świeci, dioda LED2 jest wyłączona, a jednostka zewnętrzna jest wyłączona, usuwanie czynnika chłodniczego nie przebiega prawidłowo. Całkowicie otworzyć zawór odcinający cieczy i powtórzyć krok 2 po upływie 3 minut.
 - * Jeśli usuwanie czynnika chłodniczego zostało wykonane normalnie (diody LED1 wyłączone, dioda LED2 świeci), urządzenie pozostanie zatrzymane do czasu wyłączenia zasilania.
- 4 Wyłączyć zasilanie (wyłącznik automatyczny).
 - * Należy pamiętać, że jeżeli podłączone przewody opcjonalne są bardzo długie i zawierają dużą ilość czynnika chłodniczego, przeprowadzenie odpompowania może być niemożliwe. Wykonując odpompowanie należy upewnić się, że niskie ciśnienie zostało obniżone niemal do 0 MPa (manometr).

⚠ Ostrzeżenie:
Podczas odsysania czynnika chłodniczego należy przed odłączeniem przewodów czynnika chłodniczego wyłączyć sprężarkę. W przypadku dostania się powietrza itp. do sprężarki, może dojść do jej wybuchu.

9. Sterowanie systemem

Ustawić właściwy parametr czynnika chłodniczego za pomocą przełącznika DIP na jednostce zewnętrznej.

Ustawienie funkcji SW1

Ustawienie SW1	Adres czynnika chłodniczego	Ustawienie SW1	Adres czynnika chłodniczego
ON (włącz.) OFF (wył.) 3 4 5 6 7	00	ON (włącz.) OFF (wył.) 3 4 5 6 7	03
ON (włącz.) OFF (wył.) 3 4 5 6 7	01	ON (włącz.) OFF (wył.) 3 4 5 6 7	04
ON (włącz.) OFF (wył.) 3 4 5 6 7	02	ON (włącz.) OFF (wył.) 3 4 5 6 7	05

Uwaga:

- Można podłączyć do 6 jednostek.
- Wybrać jeden model dla wszystkich jednostek.
- Informacje o ustawieniu przełącznika DIP dla jednostki wewnętrznej zawiera jej instrukcja montażu.

10. Dane techniczne

Model zewnętrzny	PUHZ-SW50VKA	PUHZ-SW75VHA	PUHZ-SW100VHA	PUHZ-SW120VHA	PUHZ-SW100YHA	PUHZ-SW120YHA
Zasilanie	V / Faza / Hz				230 / Jedna / 50	
Wymiary (szer. x wys. x gł.)	mm		809 x 630 x 360		950 x 943 x 330(+30)	
Poziomy hałas *1						
SPL	Grzanie	dB(A)	46	51	54	54
	Chłodzenie	dB(A)	46	48	50	51
PWL	Grzanie	dB(A)	63	69	70	72

*1 Pomiar przeprowadzony przy znamionowej częstotliwości roboczej.

Съдържание

1. Инструкции за безопасност.....	146	6. Водопроводни тръби.....	152
2. Място за монтаж.....	147	7. Електрически работи.....	152
3. Монтиране на външното тяло.....	149	8. Специални функции.....	154
4. Монтиране на тръбите за хладилен агент.....	149	9. Управление на системата.....	154
5. Отводнителни тръби.....	152	10. Спецификации.....	154



Забележка: Този символ се отнася само за страните от Европейския съюз.

Този символ е съгласно директива 2012/19/ЕС, член 14, Информация за потребители и Приложение IX.

Вашият продукт MITSUBISHI ELECTRIC е проектиран и произведен с висококачествени материали и компоненти, които могат да се рециклират и да се използват отново.

Този символ означава, че електрическото и електронното оборудване, в края на експлоатационния му живот, трябва да се изхвърля отделно от битовите отпадъци.

Моля, изхвърлете това оборудване в локалния общински пункт за рециклиране/събиране на отпадъци.

В държавите от Европейския съюз има системи за разделно събиране на излезли от употреба електрически и електронни продукти.

Призоваваме ви да ни помогнете да запазим планетата чиста – тя е нашият дом!

⚠ Внимание:

• Не отвеждайте R410A в атмосферата:

• R410A е флуориран парников газ, обект на протокола от Киото, с потенциал за глобално затопяне (GWP)=1975.

■ Сертифициране на термopомпите

Маркировката „NF Heat pumps“ (NF термopомпи) е програма за независимо сертифициране, доказваща, че производителността на термopомпите и качеството на производство на завода са в съответствие с указанията за сертифициране NF-414. Комбинациите от вътрешни и външни тела, както и приложенията им, които могат да използват знака NF PAC, могат да бъдат проверени на уеб сайта www.marque-nf.com

1. Инструкции за безопасност

- ▶ Преди да монтирате тялото, се уверете, че сте прочели всички „Инструкции за безопасност“.
- ▶ Моля, преди свързването към системата, уведомете или получите съгласие от снабдителните дружества.

⚠ Предупреждение:

Описва предпазните мерки, които трябва да се спазват, за да се предотврати опасността от нараняване или смърт на потребителя.

⚠ Внимание:

Описва предпазните мерки, които трябва да се спазват, за да се предотврати повреда на тялото.

⚠ Предупреждение:

- Тялото не трябва да се монтира от потребителя. Извикайте дилър или оторизиран техник да монтира тялото. Ако тялото е монтирано неправилно, това може да причини изтичане на вода, токов удар или пожар.
- За монтажните работи следвайте инструкциите в ръководството за монтаж и използвайте инструменти и тръбни елементи, специално произведени за употреба с хладилен агент R410A. Налягането на хладилния агент R410A в системата HFC е 1,6 пъти по-голямо от това на обичайните хладилни агенти. Ако се използват тръбни компоненти, които не са проектирани за хладилния агент R410A, и тялото не е монтирано правилно, тръбите може да се спукат и да причинят щети или наранявания. В допълнение, може да възникне изтичане на вода, токов удар или пожар.
- Тялото трябва да се монтира в съответствие с инструкциите, за да се сведе до минимум рискът от повреда от земетресения, тайфуни или силни ветрове. Неправилно монтираното тяло може да падне и да причини щети или наранявания.
- Тялото трябва да е здраво монтирано върху конструкция, която може да издържи теглото му. Ако тялото е монтирано върху нестабилна конструкция, то може да падне и да причини повреда или наранявания.
- Ако външното тяло е монтирано в малко помещение, трябва да се вземат мерки, за да се предотврати превишаване на безопасната граница на концентрацията на хладилния агент в случай на теч. Консултирайте се с дилър за подходящите мерки, с които да се предотврати превишаването на допустимата концентрация. Ако възникне теч на хладилен агент и границата на концентрация бъде превишена, това може да доведе до опасност поради липса на кислород в помещението.
- Проветрете помещението, ако изтече хладилен агент по време на работа. Ако хладилен агент попадне в контакт с пламък, ще се отделят отровни газове.
- Всички електрически работи трябва да се извършват от квалифициран техник съгласно местните разпоредби и указанията, дадени в това ръководство. Телата трябва да се захранват от собствени силови линии и трябва да се използват правилни напрежение и прекъсвачи. Силови линии с недостатъчен капацитет или неправилни електрически работи може да доведат до токов удар или пожар.
- Използвайте неокислена фосфорна мед C1220 за произведени от мед или медни сплави безшевни тръби, за да свържете тръбите за хладилен агент. Ако тръбите не са свързани правилно, тялото няма да бъде заземено правилно и това може да доведе до токов удар.

След приключването на монтажа, обяснете на клиента „Инструкциите за безопасност“, употребата и поддръжката на тялото според информацията в ръководството за експлоатация и извършете пробно пускане в действие, за да се уверите в нормалната работа. Както ръководството за монтаж, така и ръководството за експлоатация трябва да се предоставят на потребителя за съхранение. Тези ръководства трябва да бъдат предадени на следващите потребители.

⚡ : Обозначава част, която трябва да се заземи.

⚠ Предупреждение:

Внимателно прочетете етикетите, прикрепени към основното тяло.

- Използвайте само посочените кабели за окабеляване. Свързването на проводниците трябва да се изпълни безопасно без прилагане на опън върху клемните връзки. Също така, никога не снаждайте кабели за окабеляване (освен ако не е изрично упоменато в този документ). Неспазването на тези инструкции може да доведе до прегряване или пожар.
- Покриващият панел на клеморедата на външното тяло трябва да се закрепва здраво. Ако покриващият панел е монтиран неправилно и в тялото влезе прах и влага, това може да доведе до токов удар или пожар.
- Когато монтирате или премествате, или обслужвате външното тяло, използвайте само посочения хладилен агент (R410A) за зареждане на линиите за хладилен агент. Не смесвайте с друг хладилен агент и не позволявайте в линиите да остане въздух.
- Ако въздух се смеси с хладилния агент, това може да стане причина за необичайно високо налягане в линията за хладилен агент и може да доведе до експлозия или други опасности.
- Употребата на хладилен агент, различен от изрично упоменатия за системата, ще доведе до механична повреда, неправилно функциониране на системата или повреда на тялото. В най-лошия случай това може сериозно да възпрепятства осигуряването на безопасността на продукта.
- Използвайте само аксесоари, разрешени от Mitsubishi Electric, и извикайте дилър или оторизиран техник да ги монтира. Ако аксесоарите са монтирани неправилно, това може да причини изтичане на вода, токов удар или пожар.
- Не правете промени по тялото. Консултирайте се с дилър за ремонтите. Ако измененията или ремонтите не се изпълнят правилно, това може да доведе до изтичане на вода, токов удар или пожар.
- Потребителят никога не трябва да се опитва да ремонтира тялото или да го прехвърля на друго място. Ако тялото е монтирано неправилно, това може да причини изтичане на вода, токов удар или пожар. Ако външното тяло трябва да бъде ремонтирано или преместено, обърнете се към дилър или оторизиран техник.
- След приключването на монтажа проверете за течове на хладилен агент. Ако има изтичане на хладилен агент в помещението и той влезе в контакт с пламък на нагревател или преносима печка, ще бъдат освободени отровни газове.

1.1. Преди монтаж

⚠ Внимание:

- Не използвайте тялото в необичайна среда. Ако външното тяло е монтирано в зони, изложени на пара, летливи маслени (включително машинно масло) или серни газове, зони, изложени на високо съдържание на сол, като морско крайбрежие, или в зони, където тялото ще бъде покрито от сняг, производителността може да бъде намалена значително и вътрешните части могат да се повредят.
- Не монтирайте тялото на места, където горими газове могат да изтекат, да се произвеждат, вливат или натрупват. Ако около тялото се натрупа запалим газ, това може да доведе до пожар или експлозия.

- Външното тяло отделя конденз в режим на отопление. Непременно осигурете отводняване около външното тяло, ако такъв конденз е вероятно да причини повреда.
- Когато тялото се монтира в болница или комуникационен офис, трябва да бъдете подготвени за шум и електронна интерференция. Инвертори, домакински уреди, високочестотно медицинско оборудване и радиокомуникационно оборудване могат да причинят повреда или неизправност на външното тяло. Външното тяло може да оказва влияние и върху медицинско оборудване, като смущава здравните грижи и комуникационното оборудване и влошава качеството на екранното изображение.

1. Инструкции за безопасност

1.2. Преди монтаж (преместване)

⚠ Внимание:

- Бъдете изключително внимателни при транспортиране и монтиране на телата. За преместване на тялото са необходими две или повече лица, тъй като то тежи 20 kg или повече. Не хващайте опаковъчните ленти. Носете предпазни ръкавици, за да извадите тялото от опаковката и да го преместите, тъй като може да нараните ръцете си на ребрата или на ръба на други части.
- Изхвърлете опаковъчните материали по безопасен начин. Опаковъчните материали, като гвоздеи и други метални или дървени части, могат да причинят прободане или други наранявания.

- Основата и приставките на външното тяло трябва периодично да се проверяват за разхлабване, напукване или други повреди. Ако такива дефекти се оставят непоправени, тялото може да падне и да причини щети или наранявания.
- Не почиствайте външното тяло с вода. Това може да доведе до токов удар.
- Затегнете всички конусни гайки според спецификацията с помощта на динамометричен ключ. Ако пренатегнете, конусната гайка може да се счупи след продължителен период от време и хладилният агент може да изтече.

1.3. Преди електрически работи

⚠ Внимание:

- Непременно монтирайте прекъсвачи. Ако не бъдат монтирани, това може да доведе до токов удар.
- За силовите линии използвайте стандартни кабели с достатъчен капацитет. В противен случай това може да доведе до късо съединение, прегряване или пожар.
- При инсталиране на силовите линии не прилагайте опън върху кабелите. Ако връзките са разхлабени, кабелите може да се скъсат или прекъснат, което може да доведе до прегряване или пожар.

- Тялото трябва непременно да се заземи. Не свързвайте заземяващия кабел към газопроводи или водопроводи, гръмоотводи или заземителни кабели на телефонната мрежа. Ако тялото не е правилно заземено, това може да доведе до токов удар.
- Използвайте прекъсвачи (прекъсвач за утечка към земя, изолиращ прекъсвач (+V предпазител) и прекъсвач с лят корпус) с посочения капацитет. Ако капацитетът на прекъсвача е по-голям от посочения, може да възникне повреда или пожар.

1.4. Използване на външни тела с хладилен агент R410A

⚠ Внимание:

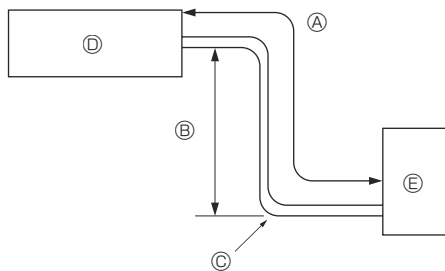
- Използвайте неокислена фосфорна мед C1220 за произведени от мед или медни сплави безшевни тръби, за да свържете тръбите за хладилен агент. Уверете се, че вътрешната страна на тръбите е чиста и не съдържа вредни замърсители, като например серни съединения, окислителни, остатъци или прах. Използвайте тръби с посочената дебелина. (Вижте 4.1.) Имайте предвид следното, ако използвате повторно съществуващи тръби, които са били напълнени с хладилен агент R22.
 - Подменете съществуващите конусни гайки и отново скосете всички скосени части.
 - Не използвайте тънки тръби. (Вижте 4.1.)
- Съхранявайте тръбите, които ще използвате по време на монтажа, на закрито и дръжте двата края запечатени до самия момент на спояване. (Оставете ъгловите съединения и т.н. в тяхната опаковка.) Ако прах, частици или влага проникнат в линиите за хладилен агент, това може да доведе до влошаване на качеството на маслото или повреда на компресора.
- Използвайте естерно масло, етерно масло, алкилбензеново масло (малко количество) като хладилно масло, приложено към скосените участъци. Ако минерално масло се смеси с хладилно масло, това може да доведе до влошаване на качеството на маслото.

- Не използвайте хладилен агент, различен от R410A. Ако се използва друг хладилен агент, хлорът ще влоши качеството на маслото.
- Използвайте следните инструменти, специално проектирани за използване с хладилен агент R410A. За използването на хладилния агент R410A са необходими следните инструменти. Свържете се с най-близкия дилър, ако имате въпроси.

Инструменти (за R410A)	
Манометър	Конусна дъска
Заряден маркуч	Уред за настройване на размера
Детектор за изтичане на газ	Адаптер за вакуумна помпа
Динамометричен ключ	Електронна везна за зареждане на хладилен агент

- Задължително използвайте правилните инструменти. Ако прах, частици или влага проникнат в линиите за хладилен агент, това може да доведе до влошаване на качеството на хладилното масло.
- Не използвайте бутилка за зареждане. Ако се използва бутилка за зареждане, съставът на хладилния агент ще се промени и ефективността ще се понижи.

2. Място за монтаж



Фиг. 2-1

2.1. Тръба за хладилен агент (Фиг. 2-1)

- Проверете дали разликата между височините на вътрешното и външното тяло, дължината на тръбата за хладилен агент и броят колена в тръбата са в рамките на ограниченията, посочени по-долу.

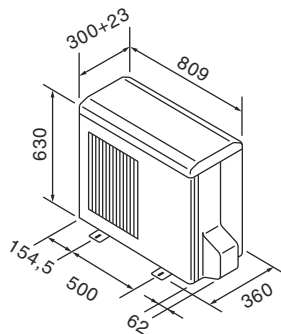
Модел	Ⓐ Дължина на тръбата (една посока)	Ⓑ Разлика във височината	Ⓒ Брой колена (една посока)
SW50	2 m - 40 m	Макс. 30 m	Макс. 15
SW75	2 m - 40 m	Макс. 30 m	Макс. 15
SW100, 120	2 m - 75 m	Макс. 30 m	Макс. 15

- Ограничението за разлики във височината се определя независимо от това кое тяло, вътрешно или външно, е позиционирано по-високо.

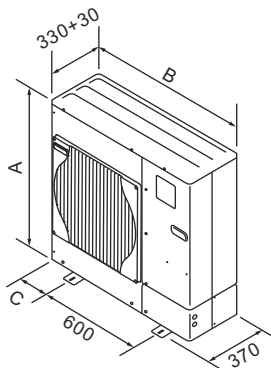
- Ⓐ Вътрешно тяло
- Ⓑ Външно тяло

2. Място за монтаж

■ SW50



■ SW75, 100, 120



Модел	A (mm)	B (mm)	C (mm)
SW75	943	950	175
SW100	1350	950	175
SW120	1350	950	175

Фиг. 2-2

(mm)

2.2. Избор на място за монтаж на външното тяло

- Избягвайте места, изложени на пряка слънчева светлина или други източници на топлина.
- Изберете място, където шумът, излъчван от тялото, не причинява неудобства на съседите.
- Изберете място, където е достъпно лесно окабеляване и тръбен достъп до източника на захранване и вътрешното тяло.
- Избягвайте места, където горими газове могат да изтекат, да се произвеждат, вливат или натрупват.
- Имайте предвид, че по време на работа от тялото може да изтича вода.
- Изберете равно място, което може да издържи теглото и вибрациите на тялото.
- Избягвайте места, където тялото може да се покрие със сняг. В районите, където се очакват обилни снеговалежи, трябва да се вземат специални предпазни мерки, за да се предотврати блокиране на входния отвор на въздухопровода от сняг или директното му навяване, например да се монтира тялото на по-високо място или да се монтира клапа на входния отвор на въздухопровода. Това може да намали въздушния поток и тялото да не работи правилно.
- Избягвайте места, изложени на масло, пара или серен газ.
- Използвайте дръжките за транспортиране на външното тяло при транспортирането му. Не дръжте основата на тялото при пренасяне, тъй като съществува риск ръцете и пръстите да бъдат притиснати.

2.3. Планови размери (Външно тяло) (Фиг. 2-2)

2.4. Пространство за вентилиране и обслужване

2.4.1. Монтиране на ветровито място

При монтиране на външното тяло на покрив или друго място, където е изложено на силен вятър, не поставяйте изхода за въздух на тялото ориентиран директно срещу вятъра. Влизането на силен вятър в изхода за въздух може да попречи на нормалния въздушен поток и това да доведе до повреда. По-долу са показани три примера за предпазни мерки срещу силни ветрове.

- ① Поставете изхода за въздух към най-близката стена на разстояние 50 cm от стената. (Фиг. 2-3)
- ② Монтирайте допълнително изпускателно направляващо устройство, ако тялото е монтирано на място, където силни ветрове от тайфуни и др. могат директно да влязат в изхода за въздух. (Фиг. 2-4)
- ③ Поставете изхода за въздух към най-близката стена на разстояние 50 cm от стената. (Фиг. 2-3)
- ④ Изпускателно направляващо въздуха устройство
- ⑤ Ако е възможно, поставете тялото така, че изходът за въздух да духа перпендикулярно на посоката на сезонния вятър. (Фиг. 2-5)
- ⑥ Посока на вятъра

2.4.2. При монтаж на едно външно тяло (вижте последната страница)

Минималните размери са, както следва, с изключение на макс., което означава максимални размери.

Стойностите в скоби са за SW100, модели 120.

Вижте стойностите за всеки отделен случай.

- ① Само препятствия отзад (Фиг. 2-6)
- ② Само препятствия отзад и отгоре (Фиг. 2-7)
 - Не монтирайте допълнителни изпускателни направляващи устройства за въздушен поток нагоре.
- ③ Само препятствия отзад и отстрани (Фиг. 2-8)
 - * 350 за SW50.
- ④ Само препятствия отпред (Фиг. 2-9)
 - * При използване на допълнително изпускателно направляващо устройство свободното пространство за SW100, модели 120, е 500 mm или повече.
- ⑤ Само препятствия отпред и отзад (Фиг. 2-10)
 - * При използване на допълнително изпускателно направляващо устройство свободното пространство за SW100, модели 120, е 500 mm или повече.
- ⑥ Само препятствия отзад, отстрани и отгоре (Фиг. 2-11)
 - * 350 за SW50.
 - Не монтирайте допълнителни изпускателни направляващи устройства за въздушен поток нагоре.

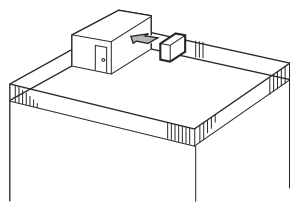
3.4.2. При монтаж на няколко външни тела (вижте последната страница)

Оставете разстояние 350 mm за SW50 и 10 mm за SW75-120 или повече между телата.

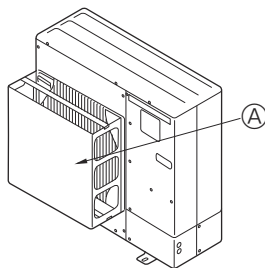
Стойностите в скоби са за SW100, модели 120.

Вижте стойностите за всеки отделен случай.

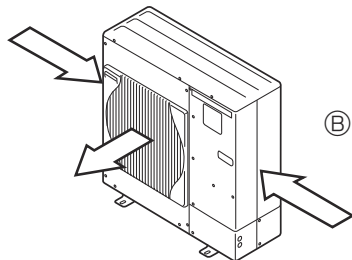
- ① Само препятствия отзад (Фиг. 2-12)
- ② Само препятствия отзад и отгоре (Фиг. 2-13)
 - Не трябва да се монтират повече от 3 тела едно до друго. В допълнение оставете пространство, както е показано.
 - Не монтирайте допълнителни изпускателни направляващи устройства за въздушен поток нагоре.
- ③ Само препятствия отпред (Фиг. 2-14)
 - * При използване на допълнително изпускателно направляващо устройство свободното пространство за SW100, модели 120, е 1000 mm или повече.
- ④ Само препятствия отпред и отзад (Фиг. 2-15)
 - * При използване на допълнително изпускателно направляващо устройство свободното пространство за SW100, модели 120, е 1000 mm или повече.
- ⑤ Успоредна подредба на едно тяло (Фиг. 2-16)
 - * При използване на допълнително изпускателно направляващо устройство за въздушен поток нагоре свободното пространство е 500 (1000) mm или повече.
- ⑥ Успоредна подредба на няколко тела (Фиг. 2-17)
 - * При използване на допълнително изпускателно направляващо устройство за въздушен поток нагоре свободното пространство е 1000 (1500) mm или повече.
- ⑦ Подредба на тела едно върху друго (Фиг. 2-18)
 - Могат да се подредят до две тела едно върху друго.
 - Не трябва да се монтират повече от 2 тела едно върху друго и едно до друго. В допълнение оставете пространство, както е показано.



Фиг. 2-3

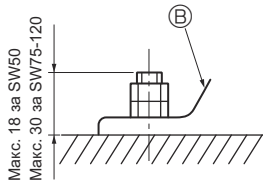
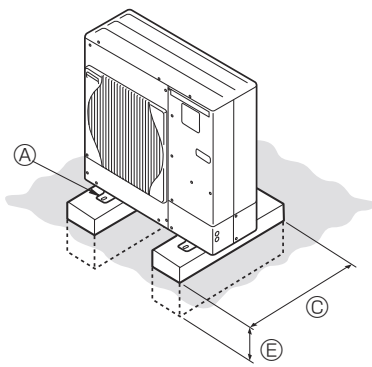


Фиг. 2-4



Фиг. 2-5

3. Монтиране на външното тяло



- Ⓐ M10 (3/8") болт
- Ⓑ Основа
- Ⓒ Възможно най-дълго.
- Ⓓ Вентилационен отвор
- Ⓔ Поставено дълбоко в земята

(mm)

- Непременно монтирайте тялото на здрава, равна повърхност, за да предотвратите тракащи звуци по време на работа. (Фиг. 3-1)

<Спецификации на основата>

Фундаментен болт	M10 (3/8")
Дебелина на бетон	120 mm
Дължина на болт	70 mm
Носимоспособност	320 kg

- Уверете се, че дължината на фундаментния болт е в рамките на 30 mm от долната повърхност на основата.
- Здраво закрепете основата на тялото с четири M10 фундаментни болта на здрави места.

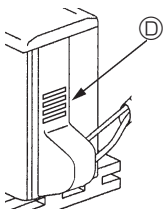
Монтиране на външното тяло

- Не блокирайте вентилационния отвор. Ако вентилационният отвор е блокиран, работата ще бъде затруднена и това може да доведе до повреда.
- Освен основата на тялото, използвайте монтажните отвори в задната му част за закрепване на кабели и други, ако са необходими за монтирането му. Използвайте самонарезни винтове (ø5 × 15 mm или по-малко) и монтирайте на място.

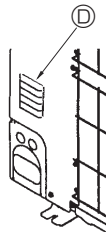
⚠ Предупреждение:

- Тялото трябва да е здраво монтирано върху конструкция, която може да издържи теглото му. Ако тялото е монтирано върху нестабилна конструкция, то може да падне и да причини повреда или наранявания.
- Тялото трябва да се монтира в съответствие с инструкциите, за да се сведе до минимум рискът от повреда от земетресения, тайфуни или силни ветрове. Неправилно монтираното тяло може да падне и да причини щети или наранявания.

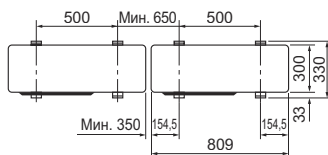
■ SW50



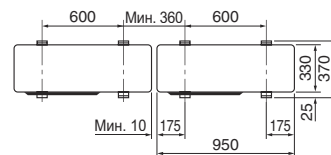
■ SW75-120



■ SW50



■ SW75-120



Фиг. 3-1

4. Монтиране на тръбите за хладилен агент

4.1. Предпазни мерки за устройства, използващи хладилен агент R410A

- Вижте 1.4. за невключени по-долу предпазни мерки при използване на външни тела с хладилен агент R410A.
- Използвайте естерно масло, етерно масло, алкилбензеново масло (малко количество) като хладилно масло, приложено към скосените участъци.
- Използвайте неокислена фосфорна мед C1220 за произведени от мед или медни сплави безшевни тръби, за да свържете тръбите за хладилен агент. Използвайте тръби за хладилен агент с дебелини, посочени в таблицата по-долу. Уверете се, че вътрешната страна на тръбите е чиста и не съдържа вредни замърсители, като например серни съединения, окислителни, остатъци или прах. Винаги прилагайте неокисляващ се припой за запояване на тръбите, в противен случай компресорът ще се повреди.

⚠ Предупреждение:

Когато монтирате или премествате, или обслужвате външното тяло, използвайте само посочения хладилен агент (R410A) за зареждане на линиите за хладилен агент. Не смесвайте с друг хладилен агент и не позволявайте в линиите да остане въздух.

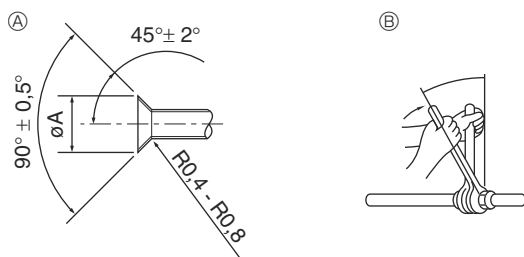
Ако въздух се смеси с хладилния агент, това може да стане причина за необичайно високо налягане в линията за хладилен агент и може да доведе до експлозия или други опасности.

Употребата на хладилен агент, различен от изрично упоменатия за системата, ще доведе до механична повреда, неправилно функциониране на системата или повреда на тялото. В най-лошия случай това може сериозно да възпрепятства осигуряването на безопасността на продукта.

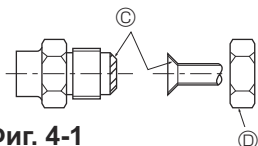
Размер на тръбата (mm)	φ6,35	φ9,52	φ12,7	φ15,88	φ19,05	φ22,2	φ25,4	φ28,58
Дебелина (mm)	0,8	0,8	0,8	1,0	1,0	1,0	1,0	1,0

- Не използвайте тръби, по-тънки от посочените по-горе.
- Използвайте тръби 1/2 N или N, ако диаметърът е 22,2 mm или повече.

4. Монтиране на тръбите за хладилен агент



- Ⓐ Размери на срязване на конуса
Ⓑ Сила на затягане на конусната гайка



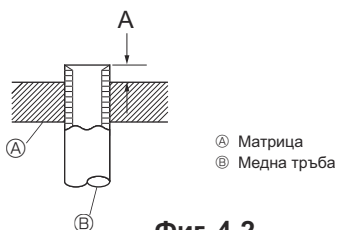
Фиг. 4-1

Ⓐ (Фиг. 4-1)

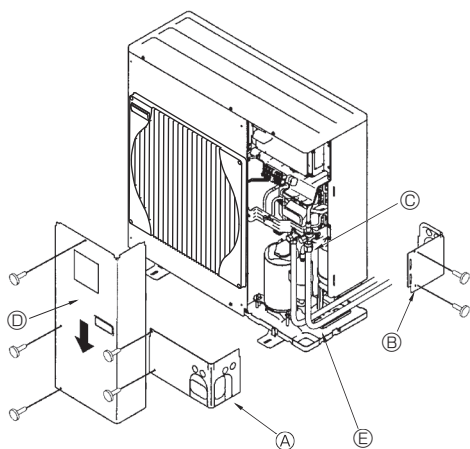
Външен диаметър на медна тръба (mm)	Размери на конуса ϕA размери (mm)
$\phi 6,35$	8,7–9,1
$\phi 9,52$	12,8–13,2
$\phi 12,7$	16,2–16,6
$\phi 15,88$	19,3–19,7
$\phi 19,05$	23,6–24,0

Ⓑ (Фиг. 4-1)

Външен диаметър на медна тръба (mm)	Външен диаметър на конусна гайка (mm)	Сила на затягане (N·m)
$\phi 6,35$	17	14–18
$\phi 6,35$	22	34–42
$\phi 9,52$	22	34–42
$\phi 12,7$	26	49–61
$\phi 12,7$	29	68–82
$\phi 15,88$	29	68–82
$\phi 15,88$	36	100–120
$\phi 19,05$	36	100–120



Фиг. 4-2



Фиг. 4-3

- Ⓐ Преден капак на тръбите
Ⓑ Капак на тръбите
Ⓒ Спирателен кран
Ⓓ Сервизен панел
Ⓔ Радиус на огъване: 100 mm - 150 mm

4.2. Свързващи тръби (Фиг. 4-1)

- Когато се използват медни тръби от търговската мрежа, увийте тръбите за течност и газ с изолационни материали от търговската мрежа (устойчиви на топлина до 100°C или повече, дебелина 12 mm или повече). Директният контакт с оголени тръби може да причини изгаряне или измръзване.
- Частите на тръбата в помещението трябва да бъдат увити с изолационни материали от полиетиленова пена (относително тегло 0,03, дебелина 9 mm или повече).
- Нанесете тънък слой хладилно масло на тръбата и повърхността на свързване преди затягане на конусната гайка. Ⓐ
- Използвайте два гаечни ключа, за да затегнете връзките на тръбите. Ⓑ
- Използвайте детектор за теч или сапунена вода, за да проверите за изтичане на газ след приключване на свързването.
- Нанесете охлаждащо машинно масло по цялата конусна повърхност на свързване. Ⓒ
- Използвайте конусните гайки за следните размери тръби. Ⓓ

		SW50	SW75	SW100, 120
Страна на газа	Размер на тръбата (mm)	$\phi 12,7$	$\phi 15,88$	$\phi 15,88$
Страна на течността	Размер на тръбата (mm)	$\phi 6,35$	$\phi 9,52$	$\phi 9,52$

- При огъване на тръбите внимавайте да не ги счупите. Радиуси на огъване 100 mm до 150 mm са достатъчни.
- Уверете се, че тръбите не се допират до компресора. Това може да доведе до необичаен шум или вибрации.
- Ⓚ Тръбите трябва да бъдат свързани, като се започне от вътрешното тяло. Конусните гайки трябва да се затегнат с динамометричен ключ.
- Ⓛ Скосете тръбите за течност и газ и нанесете тънък слой хладилно масло (нанася се на място).
- Когато се използва обичайното уплътняване на тръбите, вижте Таблица 1 за скосяване на тръбите за хладилен агент R410A. За потвърждение на измерванията A може да се използва уредът за настрояване на размера.

Таблица 1 (Фиг. 4-2)

Външен диаметър на медна тръба (mm)	A (mm)	
	Конусна дъска за R410A	Тип клещи
$\phi 6,35$ (1/4")	0–0,5	
$\phi 9,52$ (3/8")	0–0,5	
$\phi 12,7$ (1/2")	0–0,5	
$\phi 15,88$ (5/8")	0–0,5	
$\phi 19,05$ (3/4")	0–0,5	

⚠ Предупреждение:

Когато монтирате тялото, свържете стабилно тръбите за хладилен агент, преди да пуснете компресора.

4.3. Тръби за хладилен агент (Фиг. 4-3)

■ За SW50

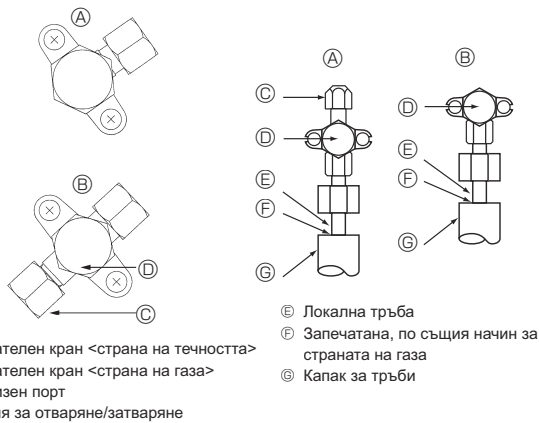
Отстранете сервизния панел Ⓓ (1 винт).

■ За SW75-120

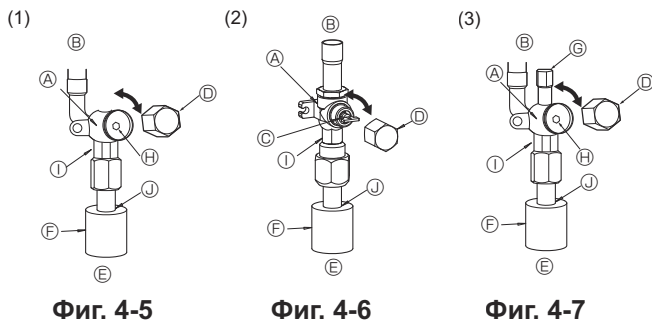
Отстранете сервизния панел Ⓓ (3 винта) и предния капак на тръбите Ⓐ (2 винта) и задния капак на тръбите Ⓑ (2 винта: SW75) (4 винта: SW100, 120).

- Ⓚ Извършете свързване на тръбите за хладилен агент за вътрешното/външното тяло, когато спирателният кран на външното тяло е изцяло затворен.
- Ⓛ Продушайте въздуха с вакуум от вътрешното тяло и свързващите тръби.
- Ⓚ След свързване на тръбите за хладилен агент, проверете свързаните тръби и вътрешното тяло за изтичане на газ. (Вижте 4.4 Метод за тестване на херметизацията на тръбите за хладилен агент)
- Ⓚ При сервизния порт на спирателния кран се използва високопроизводителна вакуумна помпа, за да се поддържа вакуум за съответното време (поне един час след достигане на -101 kPa (5 Torr)), за да се изсуши с вакуум вътрешната част на тръбите. Винаги проверявайте степента на вакуум при манометъра. Ако има останала влага в тръбата, степента на вакуум понякога не се постига с краткотрайно прилагане на вакуум. След изсушаването с вакуум отворете изцяло спирателните кранове (от страната на течността и газа) за външното тяло. Това напълно свързва вътрешната и външната верига за хладилен агент.
 - Ако вакуумното изсушаване е недостатъчно, във веригата за хладилен агент остават въздушни и водни пари и това може да доведе до необичайно нарастване на високото налягане, необичайно спадане на ниското налягане, влошаване на качеството на хладилното машинно масло поради влага и др.
 - Ако спирателните кранове са оставени затворени и тялото се включи, компресорът и контролните кранове ще се повредят.
 - Използвайте детектор за теч или сапунена вода, за да проверите за изтичане на газ при местата на свързване на тръбата на външното тяло.
 - Не използвайте хладилния агент от тялото за продухване на въздуха от линиите за хладилен агент.
 - След приключване на работата по крана, затегнете капачките на крана с правилната сила на затягане: от 20 до 25 N·m (от 200 до 250 kgf·cm). Ако не поставите и не затегнете капачките, това може да доведе до изтичане на хладилен агент. В допълнение, не повреждайте вътрешността на капачките на крановете, тъй като те действат като уплътнение за предотвратяване на изтичането на хладилен агент.
- Ⓚ Използвайте уплътнител, за да запечатате краищата на топлоизолацията около местата на свързване на тръбата за предотвратяване на навлизането на вода в топлоизолацията.

4. Монтиране на тръбите за хладилен агент

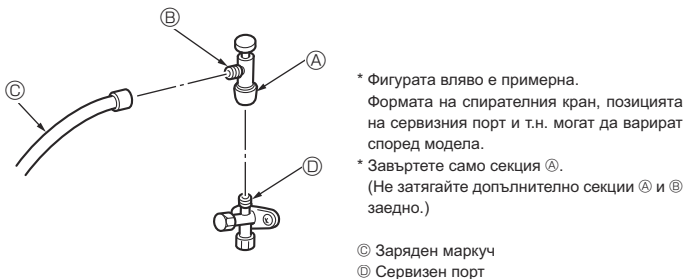


Фиг. 4-4



- Ⓐ Кран
- Ⓑ Страна на тялото
- Ⓒ Дръжка
- Ⓓ Капачка
- Ⓔ Страна на локалната тръба
- Ⓕ Капак за тръби
- Ⓖ Сервизен порт
- Ⓗ Отвор за ключ

- Ⓚ Секция за двоен гаечен ключ
(Не използвайте гаечен ключ на място, различно от това. Това може да доведе до изтичане на охладител.)
- Ⓛ Секция за запечатване
(Запечатайте края на топлоизолационния материал в секцията за свързване на тръбата с уплътнителен материал, с който разполагате, така че в него да не проникне вода.)



Фиг. 4-8

4.4. Метод за тестване на херметизацията на тръбите за хладилен агент (Фиг. 4-4)

- (1) Свържете инструментите за тестване.
 - Уверете се, че спирателните кранове Ⓐ Ⓑ са затворени и не ги отваряйте.
 - Добавете налягане в линиите за хладилен агент през сервизния порт Ⓒ на спирателния кран за течност Ⓐ.
- (2) Не повишавайте налягането до посоченото изведнъж, правете го бавно.
 - ① Повишете налягането до 0,5 MPa (5 kgf/cm²G), изчакайте пет минути и се уверете, че не спада.
 - ② Повишете налягането до 1,5 MPa (15 kgf/cm²G), изчакайте пет минути и се уверете, че не спада.
 - ③ Повишете налягането до 4,15 MPa (41,5 kgf/cm²G) и измерете околната температура и налягането на хладилния агент.
- (3) Ако посоченото налягане се задържа за около един ден и не спадне, тръбите са преминали теста и няма течове.
 - Ако околната температура се промени с 1°C, налягането ще се промени с около 0,01 MPa (0,1 kgf/cm²G). Направете необходимите корекции.
- (4) Ако налягането спадне в стъпка (2) или (3), има теч на газ. Потърсете източника на изтичане на газ.

4.5. Метод на отваряне на спирателния кран

Методите на отваряне на спирателния кран варират в зависимост от модела на външното тяло. Използвайте подходящия метод за отваряне на спирателния кран.

- (1) Страна на газа на SW75 (Фиг. 4-5)
 - ① Отстранете капачката и завъртете щифта на крана наляво до най-крайно положение, като използвате шестостенен ключ 5 mm. Спрете въртенето, когато опре до ограничителя.
($\varnothing 15,88$: припл. 13 оборота)
 - ② Уверете се, че спирателният кран е отворен изцяло и завъртете капачката обратно до началното ѝ положение.
- (2) Страна на газа на SW100, 120 (Фиг. 4-6)
 - ① Отстранете капачката, издърпайте дръжката към вас и завъртете с 1/4 оборот наляво, за да отворите.
 - ② Уверете се, че спирателният кран е отворен изцяло, натиснете дръжката и завъртете капачката обратно до началното ѝ положение.
- (3) Страна на течността на SW75-120 и страна на газа/течността на SW50-75 (Фиг. 4-7)
 - ① Отстранете капачката и завъртете щифта на крана наляво до най-крайно положение, като използвате шестостенен ключ 4 mm. Спрете въртенето, когато опре до ограничителя.
($\varnothing 9,52$: припл. 10 оборота)
 - ② Уверете се, че спирателният кран е отворен изцяло, натиснете дръжката и завъртете капачката обратно до началното ѝ положение.

Тръбите за хладилен агент са защитно обвити за SW75-120

- Тръбите могат да бъдат защитно обвити до диаметър $\varnothing 90$ преди или след монтирането им. Изрежете отвора в капака на тръбата, като следвате жлеба, и обвийте тръбите.

Входна хлабина на тръба за SW75-120

- Използвайте кит или уплътнителен материал, за да запечатате входа на тръбата около тръбите, така че да не остане хлабина. (Ако хлабините не са затворени, може да се чува шум или вода и прах да проникнат в тялото, което може да доведе до повреда.)

Предпазни мерки при използване на зарядния кран (Фиг. 4-8)

Не затягвайте сервизния порт твърде много при монтаж, в противен случай вътрешността на вентила може да бъде деформирана и да се разхлаби, което да доведе до изтичане на газ.

След позициониране на секция Ⓑ в желаната посока, завъртете само секция Ⓐ и я затегнете.

Не затягвайте допълнително секции Ⓐ и Ⓑ заедно след затягане на секция Ⓐ.

4.6. Добавяне на хладилен агент

- Допълнително зареждане не е необходимо, ако дължината на тръбата не надвишава 10 m.
- Ако дължината на тръбата надвишава 10 m, заредете тялото с допълнителен хладилен агент R410A в съответствие с разрешените дължини на тръбата в таблицата по-долу.
 - * Когато тялото не работи, зареждайте го с допълнителен хладилен агент през спирателния кран за течност, след като удълженията на тръбите и вътрешното тяло са били обработени с вакуум.
 - Когато тялото работи, добавете хладилен агент към контролния кран за газ с помощта на безопасен уред за зареждане. Не добавяйте течен хладилен агент директно към контролния кран.
 - * След зареждане на тялото с хладилен агент, отбележете добавеното количество хладилен агент на сервизния етикет (прикрепен към тялото). За повече информация вижте „1.4. Използване на външни тела с хладилен агент R410A“.

- Внимавайте при монтиране на няколко тела. Свързването към неправилно вътрешно тяло може да доведе до необичайно високо налягане и има сериозен ефект върху производителността при работа.

Модел	Разрешена дължина на тръбата	Разрешена вертикална разлика	Количество на допълнително зареден хладилен агент					
			11 - 20 m	21 - 30 m	31 - 40 m	41 - 50 m	51 - 60 m	61 - 75 m
SW50	2 m - 40 m	-30 m	0,2 kg	0,4 kg	0,6 kg	—	—	—
SW75	2 m - 40 m	-30 m	0,15 kg	0,3 kg	0,6 kg	—	—	—
SW100, 120	2 m - 75 m	-30 m	0,2 kg	0,4 kg	1,0 kg	1,6 kg	2,2 kg	2,8 kg

5. Отводнителни тръби

Свързване на отводнителните тръби на външното тяло

Когато е необходимо източване на тръбите, използвайте дренажното гнездо или дренажната вана (опция).

	SW50	SW75	SW100, 120
Дренажно гнездо	PAC-SJ08DS-E	PAC-SG61DS-E	
Дренажна вана	PAC-SG63DP-E	PAC-SG64DP-E	

6. Водопроводни тръби

Минимално количество вода

Във водната верига е необходимо следното количество вода.

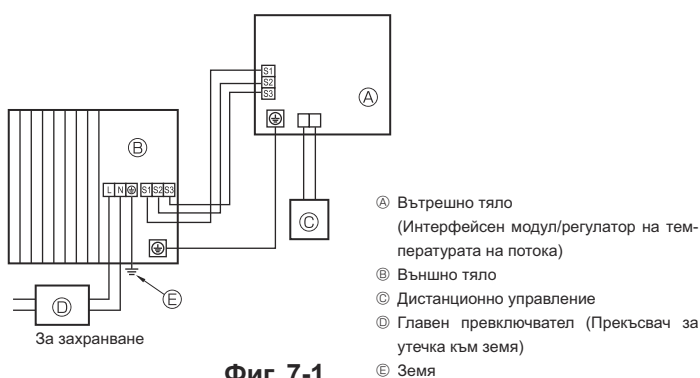
Модел	Минимално количество вода (l)
SW50	22
SW75	32
SW100	43
SW120	54

Уверете се, че сте взели мерки за защита срещу замръзване, като например добавянето на антифриз при работа на климатика в режим охлаждане при ниска температура на околната среда (под 0°C).

7. Електрически работи

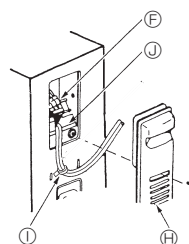
7.1. Външен модул (Фиг. 7-1, Фиг. 7-2)

- Отстранете сервисния панел.
- Опроводете кабелите, като направите справка с Фиг. 7-1 и Фиг. 7-2.

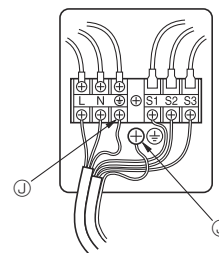


Фиг. 7-1

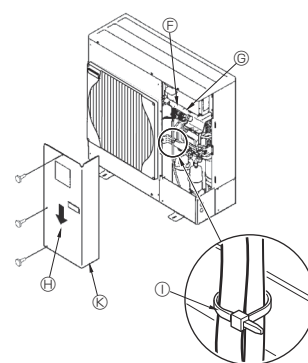
SW50



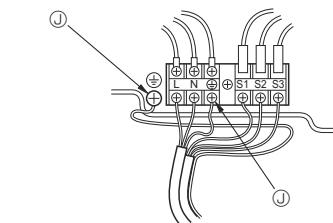
SW50



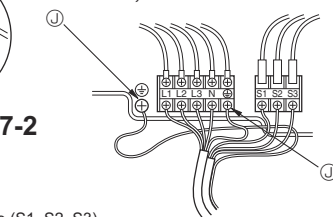
SW75-120



SW75-120V



SW100, 120Y



Фиг. 7-2

Ф Клеморед

ⓐ Клеморед за вътрешно/външно свързване (S1, S2, S3)

ⓓ Сервисен панел

ⓔ Скоба

* Захванете кабелите така, че да нямат контакт с центъра на сервисния панел или крана за газ.

ⓖ Заземителна клема

ⓓ Опроводете кабелите така, че да нямат контакт с центъра на сервисния панел.

Забележка:

Ако предпазното платно за електрическата кутия е свалено по време на обслужване, не забравяйте да го върнете на мястото му.

⚠ Внимание:

Непременно монтирайте N-линия. Липсата на N-линия може да доведе до повреда на тялото.

7. Електрически работи

7.2. Електрическо окабеляване на място

Модел на външното тяло		SW50V	SW75V	SW100V	SW120V	SW100, 120Y
Електрическо захранване на външното тяло		~N (едно), 50 Hz, 230 V	~N (едно), 50 Hz, 230 V	~N (едно), 50 Hz, 230 V	~N (едно), 50 Hz, 230 V	3N~ (3 ph 4-жилен), 50 Hz, 400 V
Входен капацитет, външно тяло - главен прекъсвачател (Прекъсвач)		*1 16 A	25 A	32 A	40 A	16 A
Проводници бр. x размер (mm ²)	Електрическо захранване на външното тяло	3 x мин. 1,5	3 x мин. 2,5	3 x мин. 4	3 x мин. 6	5 x мин. 1,5
	Вътрешно тяло-Външно тяло	*2 3 x 1,5 (полюсни)	3 x 1,5 (полюсни)	3 x 1,5 (полюсни)	3 x 1,5 (полюсни)	3 x 1,5 (полюсни)
	Вътрешно тяло-Външно тяло, заземяване	*2 1 x мин. 1,5	1 x мин. 1,5	1 x мин. 1,5	1 x мин. 1,5	1 x мин. 1,5
	Дистанционно управление-Вътрешно тяло	*3 2 x 0,3 (неполюсни)	2 x 0,3 (неполюсни)	2 x 0,3 (неполюсни)	2 x 0,3 (неполюсни)	2 x 0,3 (неполюсни)
Номинални спецификации на веригата	Външно тяло L-N (едно)	*4 230 VAC	230 VAC	230 VAC	230 VAC	230 VAC
	Външно тяло L1-N, L2-N, L3-N (3-фазно)	*4 230 VAC	230 VAC	230 VAC	230 VAC	230 VAC
	Вътрешно тяло-Външно тяло S1-S2	*4 24 VDC	24 VDC	24 VDC	24 VDC	24 VDC
	Вътрешно тяло-Външно тяло S2-S3	*4 12 VDC	12 VDC	12 VDC	12 VDC	12 VDC

*1. Необходим е прекъсвач с най-малко 3,0 mm разстояние между контактите във всеки полюс. Използвайте прекъсвач за утечка към земя (NV).

Уверете се, че прекъсвачът за ток на утечка е съвместим с по-високи хармоници.

Винаги използвайте прекъсвач за ток на утечка, който е съвместим с по-високи хармоници, тъй като това устройство е оборудвано с инвертор.

Използването на неподходящ прекъсвач може да причини неправилна работа на инвертора.

*2. Макс. 45 m

Ако се използва 2,5 mm², макс. 50 m

Ако се използва 2,5 mm² и S3 е изолиран, макс. 80 m

*3. 10-метровият кабел е закрепен в аксесоара за дистанционно управление.

*4. Стойностите HE винаги са спрямо земя.

Клемата S3 е с 24 VDC спрямо клемата S2. Между клемите S3 и S1, тези клемите HE са електрически изолирани от преобразувателя или друго устройство.

Забележки: 1. Оразмеряването на проводниците трябва да отговаря на приложимите местни и национални изисквания.

2. Захранващите кабели и кабелите между интерфейсия модул/регулатора на температурата на потока не трябва да са по-слаби от гъвкави кабели с обвивка от полихлоропрен. (Конструкция 60245 IEC 57)

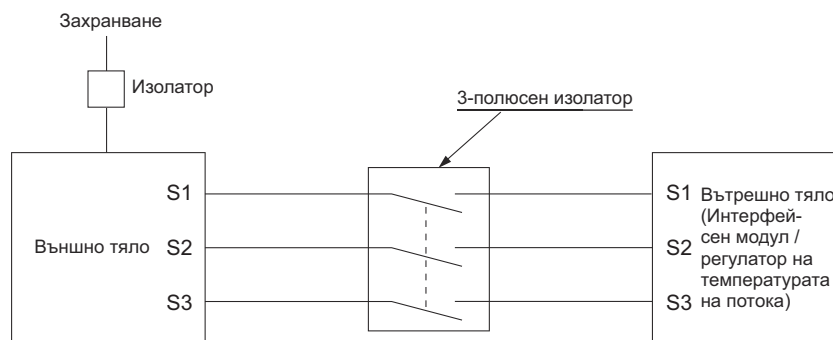
3. Непременно свържете кабелите между интерфейсия модул/регулатора на температурата на потока и външното тяло директно към телата (не се допускат междинни връзки).

Междинните връзки могат да доведат до грешки в комуникацията. Ако проникне вода в точката на междинна връзка, това може да причини недостатъчна изолация към земя или лош електрически контакт.

(Ако е необходима междинна връзка, непременно вземете мерки за предотвратяване на проникването на вода в кабелите.)

4. Монтирайте заземяване, по-дълго от другите кабели.

5. Не изграждайте система с електрозахранване, което се включва и изключва често.

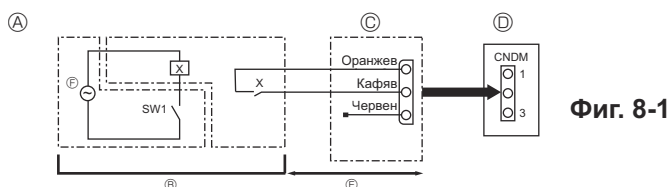


⚠ Предупреждение:

- При окабеляване с управление А на клемата S3 има потенциал за високо напрежение поради конструкцията на електрическата верига, която няма електрическа изолация между силовата линия и линията за комуникационен сигнал. Затова, моля, изключете главното захранване по време на обслужване. Не докосвайте клемите S1, S2, S3, когато захранването е включено. Ако трябва да се използва изолатор между вътрешното и външното тяло, използвайте 3-полюсен тип.

Никога не снаждайте захранващия кабел или свързващия кабел за вътрешното/външното тяло, в противен случай може да се появи пушек, да възникне пожар или неизправност в комуникацията.

8. Специални функции



Фиг. 8-1

- А Пример за електрическа схема (режим на ниско ниво на шум)
 Б Подредба на място
 ВЪншен входен адаптер (PAC-SC36NA-E)
 X: Реле
 Д Контролна платка на външното тяло
 Е Макс. 10 m
 F Захранване за релето

8.1. Режим на ниско ниво на шум (модификация на място) (Фиг. 8-1)

Чрез извършване на следната модификация, работният шум на външното тяло може да бъде намален с около 3-4 dB.

Режимът на ниско ниво на шум ще се активира, когато към CNDM конектора (опционален) на контролната платка на външния модул се добави таймер от търговската мрежа или входен контакт за превключвател за включване/изключване.

- Производителността варира в зависимост от външната температура, условия и т.н.
- Завършете веригата, както е показано, при използване на външен входен адаптер (PAC-SC36NA-E). (Опция)
- SW7-1 (Контролна платка на външното тяло): OFF
- SW1 ВКЛ.: Режим на ниско ниво на шум
SW1 ИЗКЛ.: Нормална работа

8.2. Събиране на хладилния агент (изпомпване)

Изпълнете следните процедури за събиране на хладилния агент, когато премествате вътрешното или външното тяло.

- Захранване (прекъсвач).
 - Когато захранването е подадено, уверете се, че на дистанционното управление не е изведено „CENTRALLY CONTROLLED“ (Централно управление). Ако е изведено „CENTRALLY CONTROLLED“ (Централно управление), събирането на хладилния агент (изпомпване) не може да се завърши нормално.
 - Стартирането на комуникацията вътрешно-външно тяло отнема около 3 минути след включване на захранването (прекъсвача). Започнете изпомпването 3 - 4 минути след включване на захранването (прекъсвача).
 - В случай на управление на няколко тела, преди включване разкачете кабелите между главното вътрешно тяло и подчиненото вътрешно тяло. За повече информация вижте ръководството за монтаж за вътрешното тяло.
- След затваряне на спирателния кран за течност, задайте превключвателя SWP на контролната платка на външното тяло на ON (Вкл.). Компресорът (външно тяло) и вентилаторите (вътрешни и външни тела) започват работа и започва операцията на събиране на хладилен агент. LED1 и LED2 на контролната платка на външното тяло светят.
 - Задайте превключвателя SWP (тип бутон) на ON (Вкл.) само ако тялото е спряло. Въпреки това, дори ако тялото е спряло и превключвателят SWP е зададен на ON (Вкл.) по-малко от 3 минути след спиране на компресора, не може да се извърши операция на събиране на хладилния агент. Изчакайте да изминат 3 минути от спирането на компресора и след това задайте превключвателя SWP на ON (Вкл.).

- Тъй като тялото автоматично спира след 2 - 3 минути, когато операцията на събиране на хладилния агент приключи (LED1 изкл., LED2 свети), непременно бързо затворете спирателния кран за газ. Ако LED1 свети, LED2 е изключен и външното тяло е спряло, събирането на хладилния агент не е правилно извършено. Отворете изцяло спирателния кран за течност и след това повторете стъпка ②, като изчакате 3 минути.
 - Ако операцията на събиране на хладилен агент е завършила нормално (LED1 изкл., LED2 свети), тялото ще остане спряло, докато захранването се изключи.
- Изключване на захранването (прекъсвач).
 - Обърнете внимание, че когато удължителната тръба е много дълга и в нея има голямо количество хладилен агент, е възможно операцията по изпомпването да не може да се изпълни. При извършване на операция на изпомпване се уверете, че ниското налягане се понижава до близо 0 MPa (манометър).

⚠ Предупреждение:

Когато изпомпвате хладилния агент, спрете компресора, преди да откритите тръбите за хладилен агент. Компресорът може да избухне, ако въздух и т.н. проникне в него.

9. Управление на системата

Задайте адреса на хладилния агент с помощта на DIP превключвателя на външното тяло.

SW1 функционална настройка

SW1 настройка	Адрес на хладилния агент	SW1 настройка	Адрес на хладилния агент
ON OFF 3 4 5 6 7	00	ON OFF 3 4 5 6 7	03
ON OFF 3 4 5 6 7	01	ON OFF 3 4 5 6 7	04
ON OFF 3 4 5 6 7	02	ON OFF 3 4 5 6 7	05

Забележка:

- Могат да се свържат до 6 тела.
- Изберете един модел за всички тела.
- За настройки на DIP превключвателя на вътрешното тяло вижте ръководството за монтаж на вътрешното тяло.

10. Спецификации

Модел на външното тяло	PUHZ-SW50VKA	PUHZ-SW75VHA	PUHZ-SW100VHA	PUHZ-SW120VHA	PUHZ-SW100YHA	PUHZ-SW120YHA
Захранване	V / Фаза / Hz			230 / единична / 50		400 / тройна / 50
Размери (Ш × В × Д)	mm	809 × 630 × 360	950 × 943 × 330(+30)	950 × 1350 × 330(+30)		
Ниво на шума *1						
SPL	Отопление	dB(A)	46	51	54	54
	Охлаждане	dB(A)	46	48	50	51
PWL	Отопление	dB(A)	63	69	70	72

*1 Измерено при номинална работна честота.

EC DECLARATION OF CONFORMITY
EG-KONFORMITÄTSEKTLÄRUNG
DECLARATION DE CONFORMITÉ CE
EG-CONFORMITEITSVERKLARING
DECLARACIÓN DE CONFORMIDAD CE

DICHIARAZIONE DI CONFORMITÀ CE
ΔΗΛΩΣΗ ΠΙΣΤΟΤΗΤΑΣ ΕΚ
EY-VAATIMUSTENMUKAISUUSVAKUUTUS
DECLARAÇÃO DE CONFORMIDADE CE

EU-OVERENSSTEMMELSESEKTLÆRING
EG-DEKLARATION OM ØVERENSSTÅMMELSE
EC UYGUNLUK BEYANI
ДЕКЛАРАЦИЯ СООТВЕТСТВИЯ НОРМАМ ЕС

CE-ERKLÆRING OM SAMSVAR
ES PROHLÁŠENÍ O SHODĚ
DEKLARACJA ZGODNOŚCI WE
ЕС ДЕКЛАРАЦИЯ ЗА СЪОТВЕТСТВИЕ

MITSUBISHI ELECTRIC CORPORATION, SHIZUOKA WORKS
18-1, OSHIKA 3-CHOME, SURUGA-KU, SHIZUOKA-CITY 422-8528, JAPAN

hereby declares under its sole responsibility that the air conditioners and heat pumps described below for use in residential, commercial and light-industrial environments:
erklärt hiermit auf seine alleinige Verantwortung, dass die Klimaanlage und Wärmepumpen für das häusliche, kommerzielle und leicht-industrielle Umfeld wie unten beschrieben:
déclare par la présente et sous sa propre responsabilité que les climatiseurs et les pompes à chaleur décrits ci-dessous, destinés à un usage dans des environnements résidentiels, commerciaux et d'industrie légère :
verklaart hierbij onder eigen verantwoordelijkheid dat de voor residentiële, commerciële en licht-industriële omgevingen bestemde airconditioners en warmtepompen zoals onderstaand beschreven:
por la presente declara bajo su única responsabilidad que los acondicionadores de aire y bombas de calor descritas a continuación para su uso en entornos residenciales, comerciales y de industria ligera:
confirma con la presente, sotto la sua esclusiva responsabilità, che i condizionatori d'aria e le pompe di calore descritti di seguito e destinati all'utilizzo in ambienti residenziali, commerciali e semi-industriali:
με το παρόν πιστοποιεί με αποκλειστική της ευθύνη ότι οι τα κλιματιστικά και οι αντλίες θέρμανσης που περιγράφονται παρακάτω για χρήση σε οικιακό, επαγγελματικό και ελαφριάς βιομηχανίας περιβάλλοντα:
através da presente declara sob sua única responsabilidade que os aparelhos de ar condicionado e bombas de calor abaixo descritos para uso residencial, comercial e de indústria ligeira:
erklærer hermed under eneansvar, at de herunder beskriverne airconditionanlæg og varmepumper til brug i privat boligbyggeri, erhvervsområder og inden for let industri:
intygat härmed att luftkonditioneringarna och värmepumparna som beskrivs nedan för användning i bostäder, kommersiella miljöer och lätta industriella miljöer:
ev, ticaret ve haffi sanayi ortamlarında kullanım amaçlı üretilen ve aşağıda açıklanan klima ve ısıtma pompalarını ilgili aşağıdaki hususları yalnızca kendi sorumluluğunda beyan eder:
настоящим заявляет и берет на себя исключительную ответственность за то, что кондиционеры и тепловые насосы, описанные ниже и предназначенные для эксплуатации в жилых помещениях, торговых залах и на предприятиях легкой промышленности:
erklærer et fullstendig ansvar for undernevnte klimaanlegg og varmepumper ved bruk i boliger, samt kommersielle og lettindustrielle miljøer:
vakuuttaa täten yksinomaaisesti vastuullaan, että jäljempänä kuvattut asuinrakennuksiin, pienteollisuuskäyttöön ja kaupalliseen käyttöön tarkoitettut ulkoyksiköt ja lämpöpumpat:
tímto na vlastní odpovědnost prohlašuje, že níže popsané klimatizační jednotky a tepelná čerpadla pro použití v obytných prostředích, komerčních prostředích a prostředích lehkého průmyslu:
niniejszym oświadczam na swoją wyłączną odpowiedzialność, że klimatyzatory i pompy ciepła opisane poniżej, są przeznaczone do zastosowań w środowisku mieszkalnym, handlowym i lekko przemysłowym:
декларира на своя собствена отговорност, че климатизите и термомпите, описани по-долу, за употреба в жилищни, търговски и леки промишлени условия:

MITSUBISHI ELECTRIC, PUHZ-SW50VKA*
* : , , 1, 2, 3, . . . , 9

Note: Its serial number is on the nameplate of the product.
Hinweis: Die Seriennummer befindet sich auf dem Kennschild des Produkts.
Remarque : Le numéro de série de l'appareil se trouve sur la plaque du produit.
Opmerking: het serienummer staat op het naamplaatje van het product.
Nota: El número de serie se encuentra en la placa que contiene el nombre del producto.
Nota: il numero di serie si trova sulla targhetta del prodotto.
Σημείωση: Ο σειριακός του αριθμός βρίσκεται στην πινακίδα ονόματος του προϊόντος.
Nota: o número de série encontra-se na placa que contém o nome do produto.
Bemærk: Serienummeret står på produktets fabriksskilt.

Obs: Serienumret finns på produktens namnplåt.
Not: Seri numarasi ürünün isim plakasında yer alır.
Примечание: серийный номер указан на паспортное табличке изделия.
Merk: Serienummeret befinner seg på navneplaten til produktet.
Huomautus: Sarjanumero on merkitty laitteen arvokilpeen.
Poznámka: Příslušné sériové číslo se nachází na štítku produktu.
Uwaga: Numer seryjny znajduje się na tabliczce znamionowej produktu.
Забелешка: Серииният номер е на табелката на продукта.

Directives
Richtlijnen
Directives
Richtlijnen
Directivas
Direttive
Οδηγίες
Directivas
Direktiver
Direktiv
Direktifler
Директивы
Direktiver
Direktiivit
Směrnice
Директивы
Директиви

2006/95/EC: Low Voltage
2006/42/EC: Machinery
2004/108/EC: Electromagnetic Compatibility
2009/125/EC: Energy-related Products
2011/65/EU: RoHS

Our authorized representative in EU, who is authorized to compile the technical file, is as follows.
Unser autorisierter Vertreter in der EU, der ermächtigt ist die technischen Daten zu kompilieren, ist wie folgt.
Notre représentant agréé dans L'UE, qui est autorisé à compiler le fichier technique, est le suivant.
Onze geautoriseerde vertegenwoordiger in de EU, die gemachtigd is het technische bestand te compileren, is als volgt.
Nuestro representante autorizado en la UE, que está autorizado para compilar el archivo técnico, es el siguiente.
Il nostro rivenditore autorizzato nell'UE, responsabile della stesura della scheda tecnica, è il seguente.
Ο εξουσιοδοτημένος αντιπρόσωπός μας στην ΕΕ, ο οποίος είναι εξουσιοδοτημένος να συντάξει τον τεχνικό φάκελο, είναι ο εξής.
O nosso representante autorizado na UE, que está autorizado para compilar o ficheiro técnico, é o seguinte:
Vores autoriserede repræsentant i EU, som er autoriseret til udarbejdelse af den tekniske fil, er følgende.

Vår EG-representant som är auktoriserad att sammanställa den tekniska filen är följande.
Avrupa Birliği'nde bulunan ve teknik dosyayı düzenleme yetkisine sahip yetkili temsilcimiz aşağıda belirtilmiştir:
Наш авторизованный представитель в ЕС, уполномоченный на составление технического файла, указан ниже.
Vår autoriserte EU-representant, som har autorisasjon til å utarbeide denne tekniske filen, er som følger.
Valtuutettu EU-edustaja, joka on valtuutettu laatimaan teknisen eritelmän, on mainittu alla.
Náš autorizovaný zástupce v EU, který je oprávněn sestavovat technickou dokumentaci, je následující.
Nasz autoryzowany przedstawiciel w UE, upoważniony do przygotowania dokumentacji technicznej, został podany poniżej.
Наш уполномочен представитель в ЕС, който е уполномощен да състави техническото досие, е както следва.

MITSUBISHI ELECTRIC EUROPE, B.V.
HARMAN HOUSE, 1 GEORGE STREET, UXBRIDGE, MIDDLESEX UB8 1QQ, U.K.
Masahiko KONISHI
Product Marketing Director

Issued:
JAPAN

15 May, 2015

Takuya AKIYAMA
Manager, Quality Assurance Department

EC DECLARATION OF CONFORMITY
EG-KONFORMITÄTSERKLÄRUNG
DECLARATION DE CONFORMITÉ CE
EG-CONFORMITEITSVERKLARING
DECLARACIÓN DE CONFORMIDAD CE

DICHIARAZIONE DI CONFORMITÀ CE
ΔΗΛΩΣΗ ΠΙΣΤΟΤΗΤΑΣ ΕΚ
EY-VAATIMUSTENMUKAISUUSVAKUUTUS
DECLARAÇÃO DE CONFORMIDADE CE

EU-OVERENSSTEMMELSESERKLÆRING
EG-DEKLARATION OM ØVERENSSTÅMMELSE
EC UYGUNLUK BEYANI
ДЕКЛАРАЦИЯ СООТВЕТСТВИЯ НОРМАМ ЕС

CE-ERKLÆRING OM SAMSVAR
ES PROHLÁŠENÍ O SHODĚ
DEKLARACJA ZGODNOŚCI WE
ЕС ДЕКЛАРАЦИЯ ЗА СЪОТВЕТСТВИЕ

mitsubishi electric air conditioning systems europe ltd.
NETTLEHILL ROAD, HOUSTOUN INDUSTRIAL ESTATE, LIVINGSTON, EH54 5EQ, SCOTLAND, UNITED KINGDOM

hereby declares under its sole responsibility that the air conditioners and heat pumps described below for use in residential, commercial and light-industrial environments:
erklärt hiermit auf seine alleinige Verantwortung, dass die Klimaanlage und Wärmepumpen für das häusliche, kommerzielle und leicht-industrielle Umfeld wie unten beschrieben:
déclare par la présente et sous sa propre responsabilité que les climatiseurs et les pompes à chaleur décrits ci-dessous, destinés à un usage dans des environnements résidentiels, commerciaux et d'industrie légère :
verklaart hierbij onder eigen verantwoordelijkheid dat de voor residentiële, commerciële en licht-industriële omgevingen bestemde airconditioners en warmtepompen zoals onderstaand beschreven:
por la presente declara bajo su única responsabilidad que los acondicionadores de aire y bombas de calor descritas a continuación para su uso en entornos residenciales, comerciales y de industria ligera:
confirma con la presente, sotto la sua esclusiva responsabilità, che i condizionatori d'aria e le pompe di calore descritti di seguito e destinati all'utilizzo in ambienti residenziali, commerciali e semi-industriali:
με το παρόν πιστοποιεί με αποκλειστική της ευθύνη ότι οι τα κλιματιστικά και οι αντλίες θέρμανσης που περιγράφονται παρακάτω για χρήση σε οικιακό, επαγγελματικό και ελαφριάς βιομηχανίας περιβάλλοντα:
através da presente declara sob sua única responsabilidade que os aparelhos de ar condicionado e bombas de calor abaixo descritos para uso residencial, comercial e de indústria ligeira:
erklærer hermed under eneansvar, at de herunder beskrevne airconditionanlæg og varmepumper til brug i privat boligbyggeri, erhvervsområder og inden for let industri:
intyggar härmed att luftkonditioneringarna och värmepumparna som beskrivs nedan för användning i bostäder, kommersiella miljöer och lätta industriella miljöer:
ev, ticaret ve hafif sanayi ortamlarında kullanım amaçlı üretilen ve aşağıda açıklanan klima ve ısıtma pompalarıyla ilgili aşağıdaki hususları yalnızca kendi sorumluluğunda beyan eder:
настоящим заявляет и берет на себя исключительную ответственность за то, что кондиционеры и тепловые насосы, описанные ниже и предназначенные для эксплуатации в жилых помещениях, торговых залах и на предприятиях легкой промышленности:
erklærer et fullstendig ansvar for undernevnte klimaanlegg og varmepumper ved bruk i boliger, samt kommersielle og lettindustrielle miljøer:
erklauttaa täten yksinomaisella vastuullaan, että jäljempänä kuvattut asuinrakennuksiin, pientaloilisuuskäyttöön ja kaupalliseen käyttöön tarkoitettut ulkoyksiköt ja lämpöpumpat tältänoista omavastuutaan varten todennustaan, että nämä mainitut ilmastuslaitteet ja lämpöpumpat on tarkoitettu käytettäväksi tavallisten asuinrakennusten, kaupallisten tilojen ja kevyiden teollisuuslaitosten lämmitykseen ja ilmastointiin.
niniejszym oświadczam na swoją wyłączną odpowiedzialność, że klimatyzatory i pompy ciepła opisane poniżej, są przeznaczone do zastosowań w środowisku mieszkalnym, handlowym i lekko przemysłowym:
декларира на своя собствена отговорност, че климатизите и термомопмите, описани по-долу, за употреба в жилищни, търговски и леки промишлени условия:

MITSUBISHI ELECTRIC, PUAZ-SW75VHA*, PUAZ-SW100VHA*
PUAZ-SW120VHA*, PUAZ-SW100YHA*, PUAZ-SW120YHA*
* : , , 1, 2, 3, . . . , 9

Note: Its serial number is on the nameplate of the product.
Hinweis: Die Seriennummer befindet sich auf dem Kennschild des Produkts.
Remarque : Le numéro de série de l'appareil se trouve sur la plaque du produit.
Opmerking: het serienummer staat op het naamplaatje van het product.
Nota: El número de serie se encuentra en la placa que contiene el nombre del producto.
Nota: il numero di serie si trova sulla targhetta del prodotto.
Σημείωση: Ο σειριακός του αριθμός βρίσκεται στην πινακίδα ονόματος του προϊόντος.
Nota: o número de série encontra-se na placa que contém o nome do produto.
Bemærk: Seriennummeret står på produktets fabriksskilt.

Obs: Serienumret finns på produktens namnplåt.
Not: Seri numarası ürünün isim plakasında yer alır.
Примечание: серийный номер указан на паспортное табличке изделия.
Merk: Seriennummeret befinner seg på navneplaten til produktet.
Huomautus: Sarjanumero on merkitty laitteen arvokilpeen.
Poznámka: Příslušné sériové číslo se nachází na štítku produktu.
Uwaga: Numer seryjny znajduje się na tabliczce znamionowej produktu.
Забележка: Серийният номер е на табелката на продукта.

Directives
Richtlijnen
Directives
Richtlijnen
Directivas
Direttive
Οδηγίες
Directivas
Direktiver

Direktiv
Direktiver
Директиви
Direktiver
Direktiivit
Směrnice
Директивы
Директиви

2006/95/EC: Low Voltage
2006/42/EC: Machinery
2004/108/EC: Electromagnetic Compatibility
2009/125/EC: Energy-related Products
2011/65/EU: RoHS

Our authorized representative in EU, who is authorized to compile the technical file, is as follows.
Unser autorisierter Vertreter in der EU, der ermächtigt ist die technischen Daten zu kompilieren, ist wie folgt.
Notre représentant agréé dans L'UE, qui est autorisé à compiler le fichier technique, est le suivant.
Onze geautoriseerde vertegenwoordiger in de EU, die gemachtigd is het technische bestand te compileren, is als volgt.
Nuestro representante autorizado en la UE, que está autorizado para compilar el archivo técnico, es el siguiente.
Il nostro rivenditore autorizzato nell'UE, responsabile della stesura della scheda tecnica, è il seguente.
Ο εξουσιοδοτημένος αντιπρόσωπός μας στην ΕΕ, ο οποίος είναι εξουσιοδοτημένος να συντάξει τον τεχνικό φάκελο, είναι ο εξής.
O nosso representante autorizado na UE, que está autorizado para compilar o ficheiro técnico, é o seguinte:
Vores autoriserede repræsentant i EU, som er autoriseret til udarbejdelse af den tekniske fil, er følgende.

Vår EG-representant som är auktoriserad att sammanställa den tekniska filen är följande.
Avrupa Birliği'nde bulunan ve teknik dosyayı düzenleme yetkisine sahip yetkili temsilcimiz aşağıda belirtilmiştir:
Наш авторизованный представитель в ЕС, уполномоченный на составление технического файла, указан ниже.
Vår autoriserte EU-representant, som har autorisasjon til å utarbeide denne tekniske filen, er som følger.
Valtuutettu EU-edustaja, joka on valtuutettu laatimaan teknisen eritelmän, on mainittu alla.
Náš autorizovaný zástupce v EU, který je oprávněn sestavovat technickou dokumentaci, je následující.
Nasz autoryzowany przedstawiciel w UE, upoważniony do przygotowania dokumentacji technicznej, został podany poniżej.
Наш уполномочен представитель в ЕС, който е упълномощен да състави техническото досие, е както следва.

MITSUBISHI ELECTRIC EUROPE, B.V.
HARMAN HOUSE, 1 GEORGE STREET, UXBRIDGE, MIDDLESEX UB8 1QQ, U.K.
Masahiko KONISHI
Product Marketing Director

Issued:
UNITED KINGDOM

15 May, 2015

Takashi TANABE
Manager, Quality Assurance Department

<ENGLISH>

English is original. The other languages versions are translation of the original.

⚠ CAUTION

- Refrigerant leakage may cause suffocation. Provide ventilation in accordance with EN378-1.
- Be sure to wrap insulation around the piping. Direct contact with the bare piping may result in burns or frostbite.
- Never put batteries in your mouth for any reason to avoid accidental ingestion.
- Battery ingestion may cause choking and/or poisoning.
- Install the unit on a rigid structure to prevent excessive operation sound or vibration.
- The A-weighted sound pressure level is below 70dB.
- This appliance is intended to be used by expert or trained users in shops, in light industry and on farms, or for commercial use by lay persons.

<DEUTSCH>

Das Original ist in Englisch. Die anderen Sprachversionen sind vom Original übersetzt.

⚠ VORSICHT

- Wenn Kältemittel austritt, kann dies zu Erstickungen führen. Sorgen Sie in Übereinstimmung mit EN378-1 für Durchlüftung.
- Die Leitungen müssen isoliert werden. Direkter Kontakt mit nicht isolierten Leitungen kann zu Verbrennungen oder Erfrierungen führen.
- Nehmen Sie niemals Batterien in den Mund, um ein versehentliches Verschlucken zu vermeiden.
- Durch das Verschlucken von Batterien kann es zu Ersticken und/oder Vergiftungen kommen.
- Installieren Sie das Gerät auf einem stabilen Untergrund, um übermäßige Betriebsgeräusche oder -schwingungen zu vermeiden.
- Der A-gewichtete Schalldruckpegel ist niedriger als 70dB.
- Dieses Gerät ist vorgesehen für die Nutzung durch Fachleute oder geschultes Personal in Werkstätten, in der Leichtindustrie und in landwirtschaftlichen Betrieben oder für die kommerzielle Nutzung durch Laien.

<FRANÇAIS>

L'anglais est l'original. Les versions fournies dans d'autres langues sont des traductions de l'original.

⚠ PRECAUTION

- Une fuite de réfrigérant peut entraîner une asphyxie. Fournissez une ventilation adéquate en accord avec la norme EN378-1.
- Assurez-vous que la tuyauterie est enveloppée d'isolant. Un contact direct avec la tuyauterie nue peut entraîner des brûlures ou des engelures.
- Ne mettez jamais des piles dans la bouche pour quelque raison que ce soit pour éviter de les avaler par accident.
- Le fait d'ingérer des piles peut entraîner un étouffement et/ou un empoisonnement.
- Installez l'appareil sur une structure rigide pour prévenir un bruit de fonctionnement et une vibration excessifs.
- Le niveau de pression acoustique pondéré est en dessous de 70 dB.
- Cet appareil est conçu pour un utilisateur expert ou les utilisateurs formés en magasin, dans l'industrie légère et dans l'agriculture ou dans le commerce par le profane.

<NEDERLANDS>

Het Engels is het origineel. De andere taalversies zijn vertalingen van het origineel.

⚠ VOORZICHTIG

- Het lekken van koelvlloeistof kan verstikking veroorzaken. Zorg voor ventilatie in overeenstemming met EN378-1.
- isoleer de leidingen met isolatiemateriaal. Direct contact met de onbedekte leidingen kan leiden tot brandwonden of bevriezing.
- Stop nooit batterijen in uw mond om inslikking te voorkomen.
- Het inslikken van batterijen kan verstikking of vergiftiging veroorzaken.
- Installeer het apparaat op een stabiele structuur om overmatig lawaai of trillingen te voorkomen.
- Het niveau van de geluidsdruk ligt onder 70 dB(A).
- Dit apparaat is bedoeld voor gebruik door ervaren of opgeleide gebruikers in werkplaatsen, in de lichte industrie en op boerderijen, of voor commercieel gebruik door leken.

<ESPAÑOL>

El idioma original del documento es el inglés. Las versiones en los demás idiomas son traducciones del original.

⚠ CUIDADO

- Las pérdidas de refrigerante pueden causar asfixia. Se debe proporcionar la ventilación determinada en EN378-1.
- Asegúrese de colocar el aislante alrededor de las tuberías. El contacto directo con la tubería puede ocasionar quemaduras o congelación.
- Para evitar una ingestión accidental, no coloque las pilas en su boca bajo ningún concepto.
- La ingestión de las pilas puede causar asfixia y/o envenenamiento.
- Coloque la unidad en una estructura rígida para evitar que se produzcan sonidos o vibraciones excesivos debidos a su funcionamiento.
- El nivel de presión acústica ponderado A es inferior a 70 dB.
- Este aparato está destinado a su uso por parte de usuarios expertos o capacitados en talleres, industrias ligeras y granjas, o a su uso comercial por parte de personas no expertas.

<ITALIANO>

Il testo originale è redatto in lingua Inglese. Le altre versioni linguistiche rappresentano traduzioni dell'originale.

⚠ ATTENZIONE

- Le perdite di refrigerante possono causare asfissia. Prevedere una ventilazione adeguata in conformità con la norma EN378-1.
- Accertarsi di applicare materiale isolante intorno alle tubature. Il contatto diretto con le tubature non schermate può provocare ustioni o congelamento.
- Non introdurre in nessun caso le batterie in bocca onde evitare ingestioni accidentali.
- L'ingestione delle batterie può provocare soffocamento e/o avvelenamento.
- Installare l'unità su una struttura rigida in modo da evitare rumore o vibrazioni eccessivi durante il funzionamento.
- Il livello di pressione del suono ponderato A è inferiore a 70dB.
- Questa apparecchiatura è destinata all'utilizzo da parte di utenti esperti o addestrati in negozi, industria leggera o fattorie oppure a un uso commerciale da parte di persone non esperte.

<ΕΛΛΗΝΙΚΑ>

Η γλώσσα του πρωτοτύπου είναι η αγγλική. Οι εκδόσεις άλλων γλωσσών είναι μεταφράσεις του πρωτοτύπου.

⚠ ΠΡΟΣΟΧΗ

- Η διαρροή του ψυκτικού ενδέχεται να προκαλέσει ασφυξία. Φροντίστε για τον εξαερισμό σύμφωνα με το πρότυπο EN378-1.
- Φροντίστε να τυλίξετε με μονωτικό υλικό τη σωλήνωση. Η απευθείας επαφή με τη γυμνή σωλήνωση ενδέχεται να προκαλέσει εγκαύματα ή κρυοπαγήματα.
- Μη βάζετε ποτέ τις μπαταρίες στο στόμα σας για κανένα λόγο ώστε να αποφύγετε την κατά λάθος κατάποσή τους.
- Η κατάποση μπαταριών μπορεί να προκαλέσει πνιγμό ή/και δηλητηρίαση.
- Εγκαταστήστε τη μονάδα σε σταθερή κατασκευή ώστε να αποφύγετε τον έντονο ήχο λειτουργίας ή της κρούσασμορς.
- Η Α-σταθμισμένη στάθμη ηχητικής πίεσης είναι κάτω των 70dB.
- Η συσκευή αυτή προορίζεται για χρήση από έμπειρους ή εκπαιδευμένους χρήστες σε καταστήματα, στην ελαφριά βιομηχανία και σε αγροκτήματα, ή για εμπορική χρήση από άτομα τα οποία δεν είναι ειδικευμένες.

<PORTUGUÊS>

O idioma original é o inglês. As versões em outros idiomas são traduções do idioma original.

⚠ CUIDADO

- A fuga de refrigerante pode causar asfixia. Garanta a ventilação em conformidade com a norma EN378-1.
- Certifique-se de que envolve as tubagens com material de isolamento. O contacto directo com tubagens não isoladas pode resultar em queimaduras ou ulcerações provocadas pelo frio.
- Nunca coloque pilhas na boca, por nenhum motivo, para evitar a ingestão accidental.
- A ingestão de uma pilha pode causar obstrução das vias respiratórias e/ou envenenamento.
- Instale a unidade numa estrutura robusta, de forma a evitar ruídos ou vibrações excessivos durante o funcionamento.
- O nível de pressão sonora ponderado A é inferior a 70 dB.
- Este equipamento destina-se a ser utilizado por especialistas ou utilizadores com formação em lojas, na indústria ligeira e em quintas, ou para utilização comercial por leigos.

<DANSK>

Engelsk er originalen. De andre sprogversioner er oversættelser af originalen.

⚠ FORSIGTIG

- Lækage af kølemiddel kan forårsage kvælning. Sørg for udluftning i overensstemmelse med EN378-1.
- Sørg for at pakke rørene ind i isolering. Direkte kontakt med ubeklædte rør kan forårsage forbændinger eller forfrysninger.
- Batterier må under ingen omstændigheder tages i munden for at forhindre utilsigtet indtagelse.
- Indtagelse af batterier kan forårsage kvælning og/eller forgiftning.
- Monter enheden på en fast struktur for at forhindre for høje driftslyde eller vibrationer.
- Det A-vægtede lydtrykniveau er under 70dB.
- Dette apparat er beregnet til at blive brugt af eksperter eller udlærte brugere i butikker, inden for let industri og på gårde eller til kommerciel anvendelse af lægmænd.

<SVENSKA>

Engelska är originalspråket. De övriga språkversionerna är översättningar av originalet.

⚠ FÖRSIKTIGHET

- Köldmedelsläckage kan leda till kvävning. Tillhandahåll ventilation i enlighet med EN378-1.
- Kom ihåg att linda isolering runt rören. Direktkontakt med bara rör kan leda till brännskador eller köldskador.
- Stoppa aldrig batterier i munnen, de kan sväljas av misstag.
- Om ett batteri sväljs kan det leda till kvävning och/eller förgiftning.
- Montera enheten på ett stadigt underlag för att förhindra höga driftslyde och vibrationer.
- Den A-vägd ljudtrycksnivån är under 70dB.
- Denna apparat är ämnad för användning av experter eller utbildade användare i affärer, inom lätt industri och på lantbruk, eller för kommersiell användning av lekmän.

<TÜRKÇE>

Aslı İngilizce'dir. Diğer dillerdeki sürümler aslının çevirisidir.

⚠ DİKKAT

- Soğutucu kaçağı boğulmaya neden olabilir. EN378-1 uyarınca uygun havalandırma sağlayın.
- Borular etrafına yalıtım yapıldığından emin olun. Borulara doğrudan çıplak elle dokunulması yanıklara veya soğuk ısırıklarına neden olabilir.
- Kazara yutmamak için, pilleri kesinlikle hiçbir amaçla ağzınızda tutmayın.
- Pillerin yutulması boğulmaya ve/veya zehirlenmeye yol açabilir.
- Aşırı çalışma seslerini veya titreşimi önlemek için, üniteyi sağlam bir yapı üzerine monte edin.
- A güçlü ses gücü seviyesi 70dB'nin altındadır.
- Bu cihaz atölyelerde, hafif endüstriyel tesislerde ve çiftliklerde uzman veya eğitimli kullanıcılar tarafından kullanılmak üzere veya normal kullanıcılar tarafından ticari kullanım için tasarlanmıştır.

<РУССКИЙ>

Языком оригинала является английский. Версии на других языках являются переводом оригинала.

⚠ ОСТОРОЖНО

- Утечка хладагента может стать причиной удущья. Обеспечьте вентиляцию в соответствии с EN378-1.
- Обязательно оберните трубы изоляционной обмоткой. Непосредственный контакт с неизолированными трубопроводом может привести к ожогам или обморожению.
- Запрещается класть элементы питания в рот по каким бы то ни было причинам во избежание случайного проглатывания.
- Попадание элемента питания в пищеварительную систему может стать причиной удущья и/или отравления.
- Устанавливайте устройство на жесткую структуру во избежание чрезмерного шума или чрезмерной вибрации во время работы.
- Уровень звукового давления по шкале A составляет менее 70 дБ.
- Данное устройство предназначено для использования специалистами или обученным персоналом в магазинах, на предприятиях легкой промышленности и фермах или для коммерческого применения непрофессионалами.

<NORSK>

Originalspråket er engelsk. De andre språkversionene er oversettelseter av originalen.

⚠ FORSIKTIG

- Kjølemiddel lekkasje kan forårsake kvælning. Sørg for ventilering i samsvar med EN378-1.
- Pass på at isoleringen pakkes godt rundt røret. Direkte kontakt med ukledte rør kan forårsake brannskader eller forfrysninger.
- Aldri plasser batteri i munnen, da dette kan medføre en risiko for at du svelger batteriet ved et uhell.
- Hvis du svelger et batteri, kan du risikere kvælning og/eller forgiftning.
- Installer enheten på en stabil struktur for å forhindre unødvendig mye driftsstøy eller vibrering.
- Det A-væktede lydtryknivået er under 70 dB.
- Dette apparatet er ment for bruk av eksperter eller faglært personell i butikker, lettindustri og på gårder, eller for kommersielt bruk av ikke-fagmenn.

<SUOMI>

Englanninkielinen asiakirja on alkuperäinen. Muunkieliset versiot ovat alkuperäisen käännöksiä.

⚠ Huomio

- Kylmäaineen vuoto voi aiheuttaa tukehtumisen. Järjestä tuuletus standardin EN378-1 mukaisesti.
- Putkisto pitää eristää. Suora kosketus paljaaseen putkeen voi aiheuttaa palovamman tai paleltuman.
- Älä koskaan laita paristoja suuhun mistään syystä, jotta vältät tahattoman nielemisen.
- Pariston nieleminen voi aiheuttaa tukehtumisen ja/tai myrkytyksen.
- Asenna yksikkö tukevaan rakenteeseen estääksesi liiallisen, toiminnasta aiheutuvan, äänen tai värinän.
- A-painotettu äänenpainetaso on alle 70 dB.
- Tämä laite on tarkoitettu asiantuntijoiden tai koulutettujen käyttäjien käytettäväksi liikehuoneistoissa, kevyen teollisuuden tiloissa ja maataloilla tai maallikkujen kaupalliseen käyttöön.

<ČEŠTINA>

Originál je v angličtině. Ostatní jazykové verze jsou překladem originálu.

⚠ POZOR

- Únik chladicího média může způsobit udušení. Zajistěte větrání v souladu s normou EN 378-1.
- Potrubí omotejte izolací. Přímý kontakt s obnaženým potrubím může způsobit popálení nebo omrzliny.
- Nikdy si z žádného důvodu nevkládejte baterie do úst, aby nedošlo k jejich polknutí.
- Polknutí baterie může způsobit dušení anebo otravu.
- Jednotku nainstalujte na pevnou konstrukci, aby nedocházelo ke vzniku nadměrného provozního hluku a vibrací.
- Hladina akustického tlaku je nižší než 70 dB.
- Toto zařízení je určeno pro prodejny, lehký průmysl a farmy, kde je musí obsluhovat odborníci a školení uživatelé, a pro komerční použití, kde je mohou obsluhovat laici.

<POLSKI>

Językiem oryginału jest język angielski. Inne wersje językowe stanowią tłumaczenie oryginału.

⚠ UWAGA

- Wyciek czynnika chłodniczego może spowodować uduszenie. Należy zapewnić wentylację zgodnie z normą EN378-1.
- Należy pamiętać, aby owinąć izolację wokół przewodów rurowych. Bezpośredni kontakt z niezabezpieczonymi przewodami rurowymi może doprowadzić do poparzeń lub odmrożeń.
- Nie wolno wkładać baterii do ust z jakiegokolwiek powodu, aby uniknąć przypadkowego połknięcia.
- Połknięcie baterii może spowodować zadławienie i/lub zatrucie.
- Zainstalować urządzenie na sztywnej konstrukcji, aby zapobiec nadmiernemu hałasowi i wibracjom.
- Poziom dźwięku A nie przekracza 70 dB.
- W sklepach, w przemyśle lekkim i w gospodarstwach rolnych urządzenie powinni obsługiwać profesjonalni lub przeszkoleni użytkownicy, a w środowisku handlowym mogą to być osoby nieposiadające fachowej wiedzy.

<БЪЛГАРСКИ>

Оригиналът е текстът на английски език. Версиите на други езици са преводи на оригинала.

⚠ ВНИМАНИЕ

- Изтичането на хладилен агент може да причини задушаване. Осигурете вентилация съобразно с EN378-1.
- Не забравяйте да поставите изолация на тръбите. Директният контакт с оголени тръби може да причини изгаряне или измръзване.
- При никакви обстоятелства не поставяйте батериите в устата си, в противен случай може да ги погълнете случайно.
- Поглъщането на батериите може да доведе до задавяне и/или отравяне.
- Монтирайте тялото върху твърда конструкция, за да предотвратите прекомерен шум или вибрации по време на работа.
- А-претегленото ниво на звуково налягане е под 70 dB.
- Този уред е предназначен за използване от експерти или обучени потребители в магазини, в леката промишленост и във ферми, или за търговска употреба от неспециалисти.

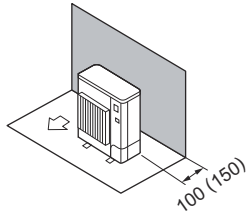


Fig. 2-6

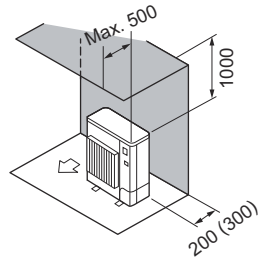


Fig. 2-7

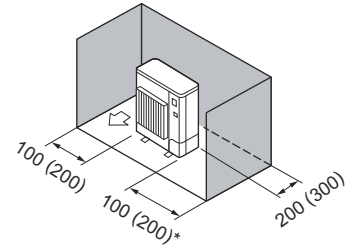


Fig. 2-8

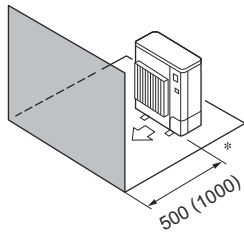


Fig. 2-9

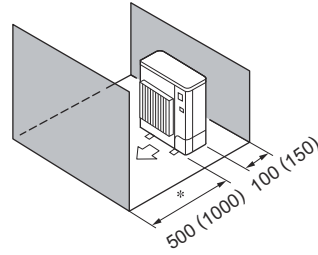


Fig. 2-10

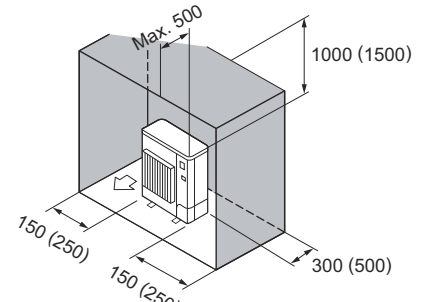


Fig. 2-11

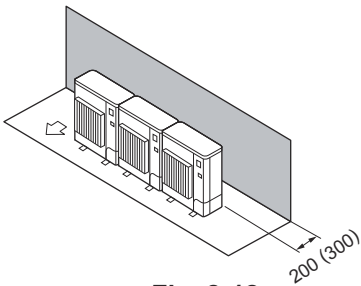


Fig. 2-12

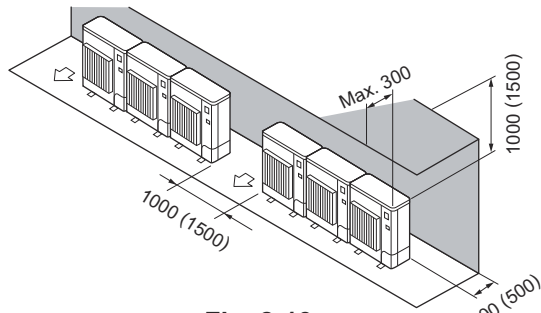


Fig. 2-13

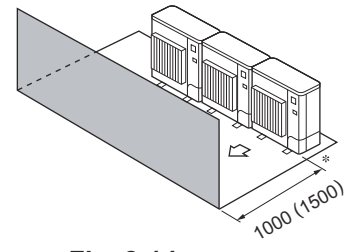


Fig. 2-14

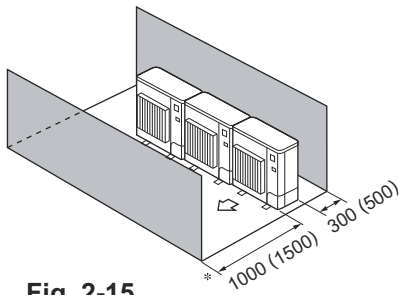


Fig. 2-15

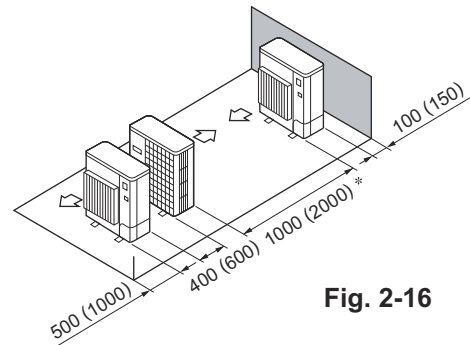


Fig. 2-16

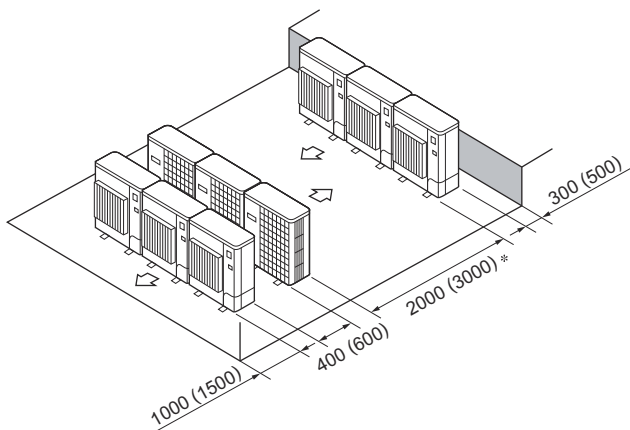


Fig. 2-17

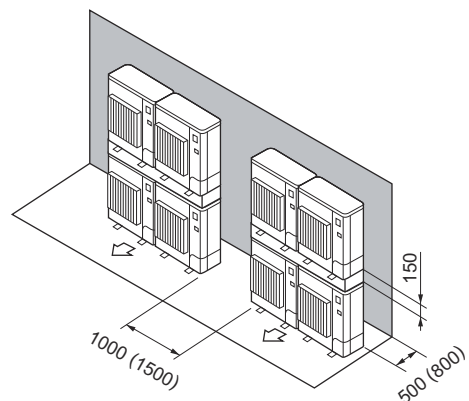


Fig. 2-18

This product is designed and intended for use in the residential,
commercial and light-industrial environment.

The product at hand is
based on the following
EU regulations:

- Low Voltage Directive 2006/95/ EC
 - Electromagnetic Compatibility Directive
2004/108/ EC
 - Machinery Directive 2006/42/EC
 - Energy-related Products Directive
2009/125/EC
 - RoHS Directive 2011/65/EU
 - Year Of Manufacture *
- * As indicated in front of the outdoor unit.

Please be sure to put the contact address/telephone number on
this manual before handing it to the customer.

mitsubishi electric corporation

HEAD OFFICE: TOKYO BLDG., 2-7-3, MARUNOUCHI, CHIYODA-KU, TOKYO 100-8310, JAPAN

Authorized representative in EU: MITSUBISHI ELECTRIC EUROPE B.V.

HARMAN HOUSE, 1 GEORGE STREET, UXBRIDGE, MIDDLESEX UB8 1QQ, U.K.